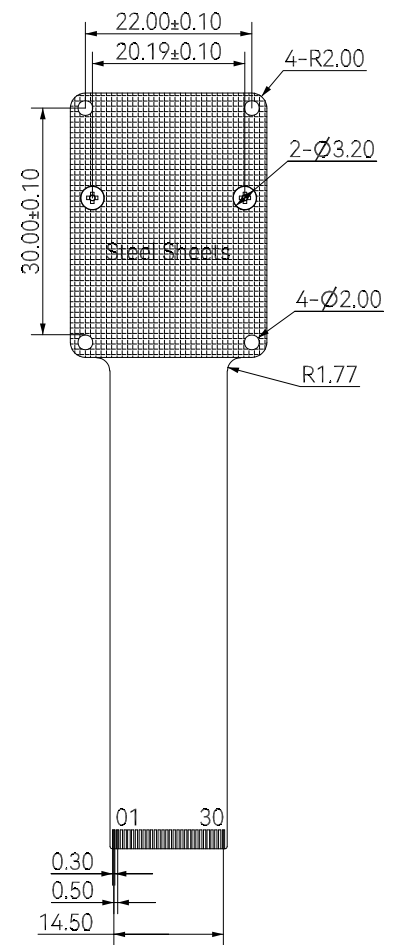
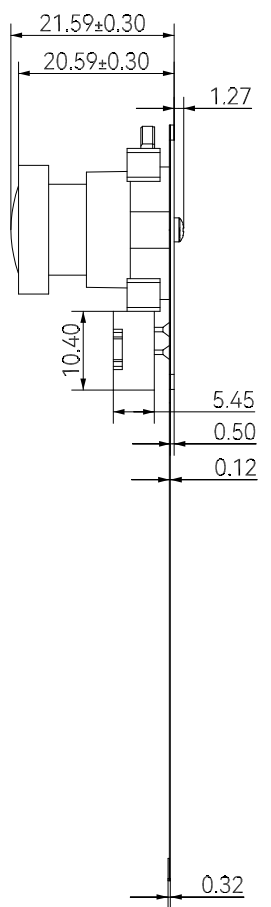
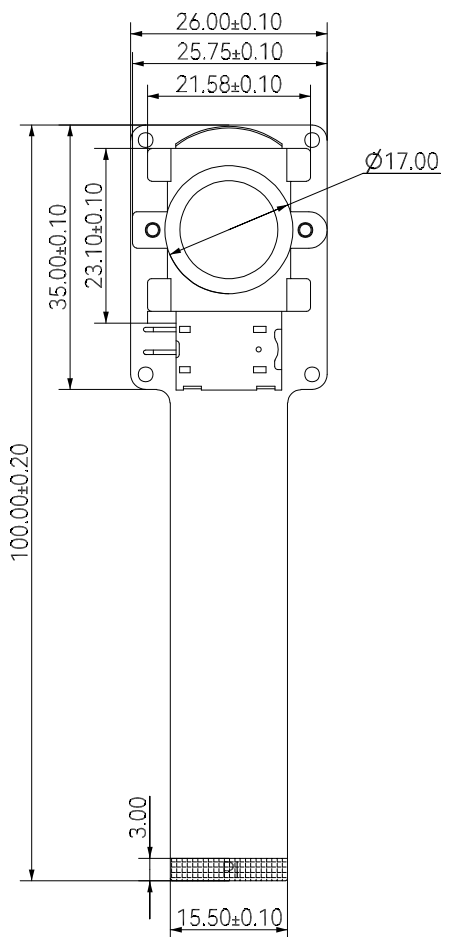


REV.	D/ECN NO.	LOCATION	DESIGN CHANGE DESCRIPTION	DATE	SIGN
V10	-	-	Initial issue	2024/04/01	Noah.Xu

NO.	SYMBOL
1	GND
2	MDN3
3	MDP3
4	GND
5	MDN2
6	MDP2
7	GND
8	NC
9	NC
10	GND
11	MDN1
12	MDP1
13	GND
14	MDN0
15	MDP0
16	GND
17	MCN
18	MCP
19	NC
20	MCLK
21	GPIO-IRCUT
22	SCL
23	SDA
24	RESET
25	DOVDD
26	GND
27	GND
28	3.3V
29	3.3V
30	3.3V



Lens Size	1/2.0INCH	Chip Type	OS08A10-H92A-Z	GENERAL TOLERANCE		SIGN	DATE	MATERIAL		PART NAME		ACC-E1080C		NAMTSO
EFL	3.47mm	Array Size	3840*2160	X.±0.5	X.°±2.0	DESIGN	Noah.Xu			FINISH		N/A		
F.NO	2.10	DVDD	1.2V	.X±0.25	.X°±1.5	APPROVAL		REV.	V10	SCALE	1:1	PROCESS	N/A	
View Angle	160°	DOVDD	1.8V	.XX±0.10	.XX°±0.5	THIRD ANGLE		PAGE 1 OF 1		UNIT	mm	NAMTSO TECHNOLOGY CO., LTD.		