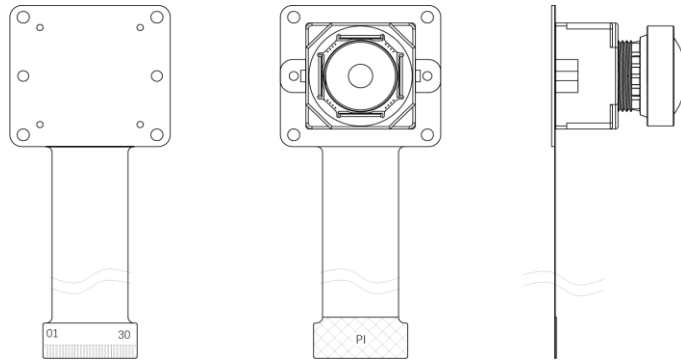


ACC-E1080A Camera



Model	AE108002
Overview	The NAMTSO ACC-E1080A 8 megapixel camera, with flexible FPC connector tail.
Highlights	8 megapixels, auto focus, wide angle, minimal optical distortion, HDR support.
Tech Specs	<p>Sensor</p> <p>Image Sensor Sony IMX415</p> <p>Pixels 8.29 million (3840 x 2160)</p> <p>Maximum Frame Rate 60fps with 12-bit Raw RGB 90fps with 10-bit Raw RGB</p> <p>Pixel Size 1.45 x 1.45µm</p> <p>VCM Driver IC DW9714</p> <p>HDR Yes</p> <p>Lens</p> <p>Optical Form 1/2.8"</p> <p>View Angle D:118.8° H:109.9° V:74.6°</p> <p>Distortion <-3.6%</p> <p>Focal Length 2.02mm</p> <p>Aperture F/2.4</p> <p>Auto Focus Yes</p> <p>Connection</p> <p>Connector 30-pin 0.5mm FPC Connector</p> <p>Interface MIPI-CSI, 4-lane</p> <p>Size</p> <p>24.0mm(l) / 100.0mm(with FPC) x 26.4mm(w) x 22.17mm(h)</p>
Documentation	https://dl.namtso.com/products/add-ons/acc-e1080a/
Warranty [1]	1 year limited hardware warranty
Compatibility	A10-3588
In the Box	ACC-E1080A Camera Module x1

[1] NAMTSO does not warrant against normal wear and tear, nor damage caused by accident or abuse.