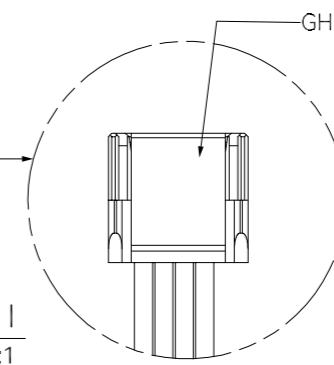
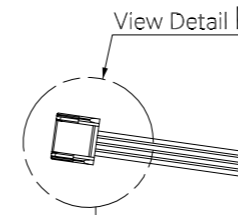
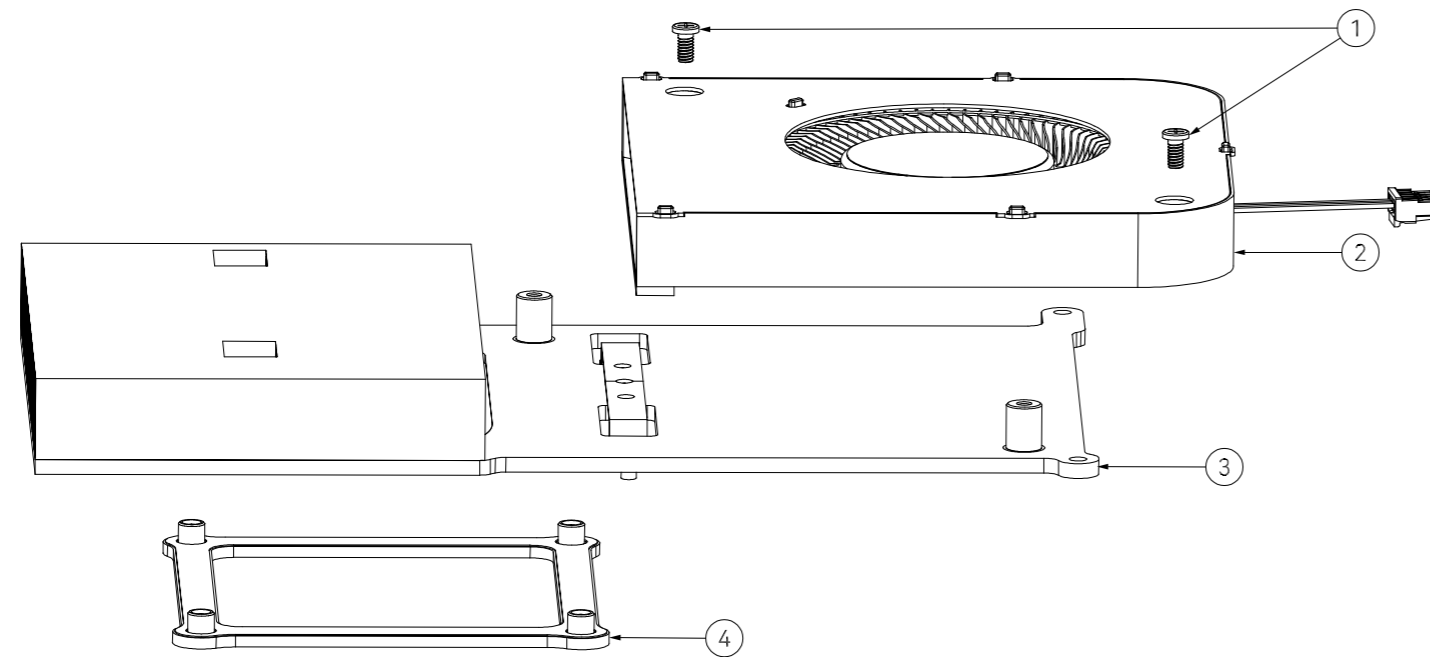
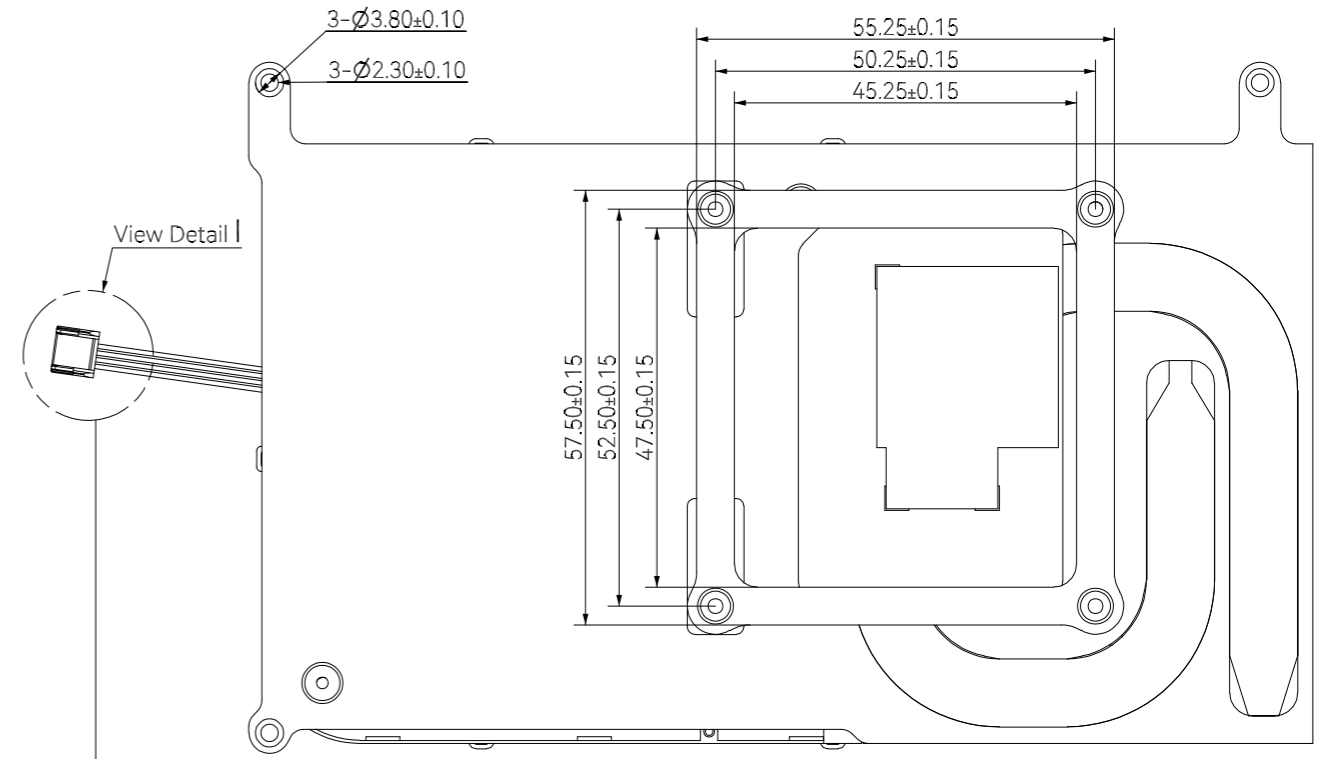
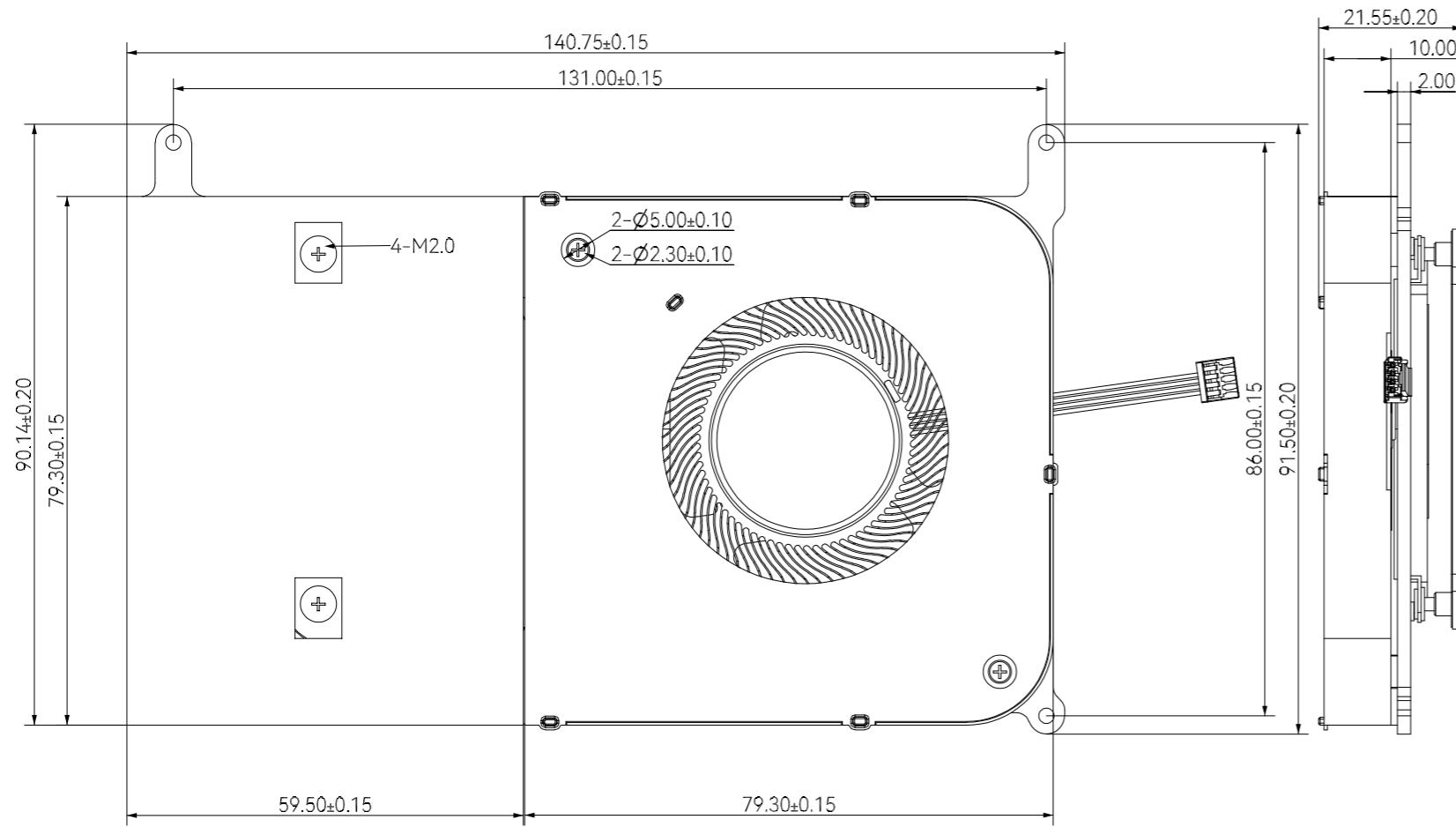


REV.	D/ECN NO.	LOCATION	DESIGN CHANGE DESCRIPTION	DATE	SIGN
V10	-	-	Initial issue	2024/02/01	Noah.Xu
V11	-	-	Thermal module, Fan cable	2024/03/22	Noah.Xu



Black Black Black Black
GND Tach PWM GCC

Item	Title	Quantity	Remark
1	Screw M2.0	2	
2	Fan	1	
3	Thermal module	1	
4	Thermal bracket	1	

GENERAL TOLERANCE		DESIGN	SIGN	DATE	CU	PART NAME		ACC-D1130		NAMTSO
X±0.5	X°±2.0					FINISH	N/A			
.X±0.25	.X°±1.5	APPROVAL	Noah.Xu	2024/03/22	REV. V10	SCALE 1:1	PROCESS			
.XX±0.10	.XX°±0.5	THIRD ANGLE			PAGE 1 OF 1	UNIT mm	NAMTSO TECHNOLOGY CO., LTD.			