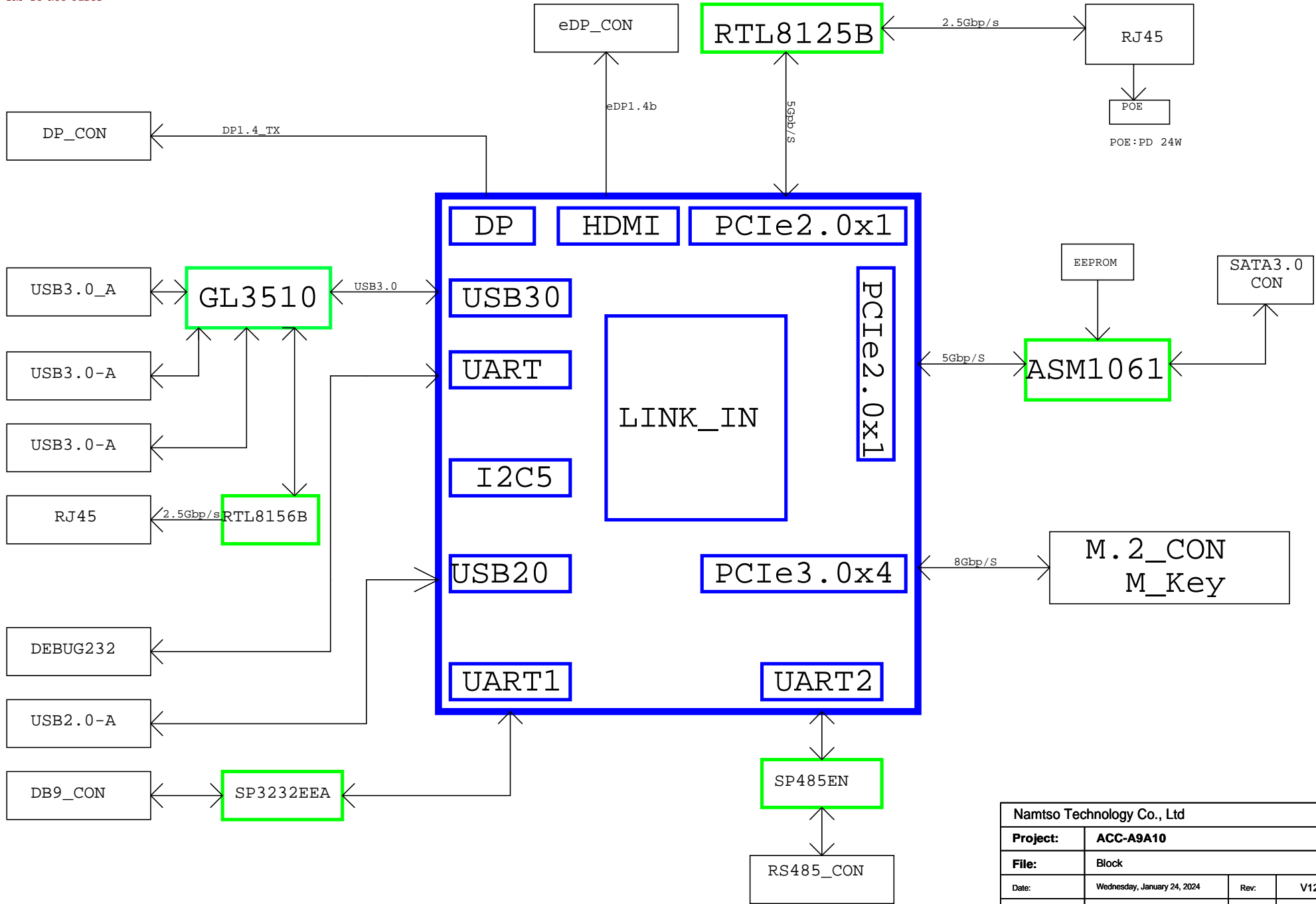


NAMTSO

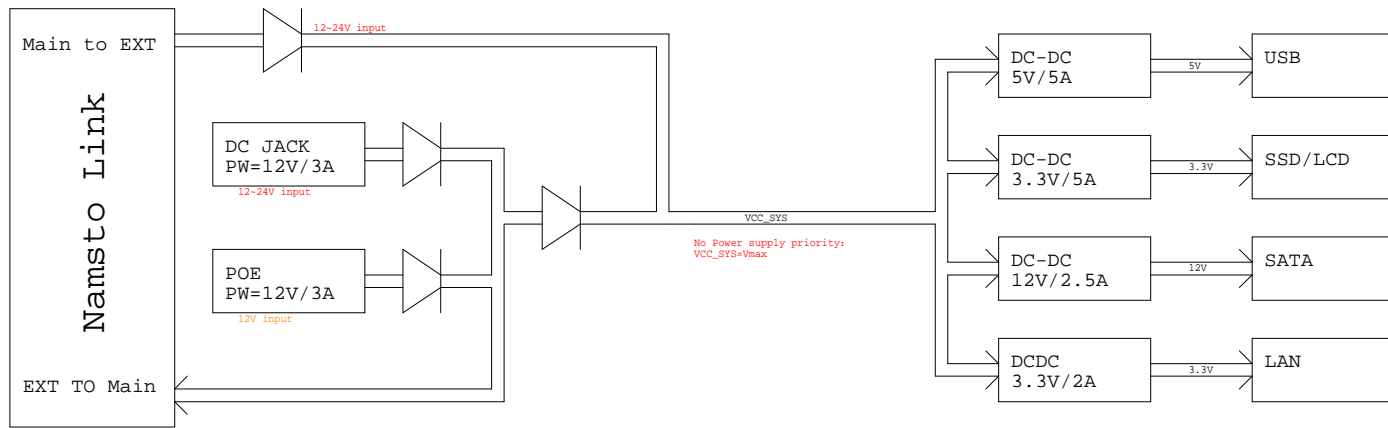
Namtso Technology Co., Ltd			
Project:	ACC-A9A10		
File:	Namtso LOGO		
Date:	Wednesday, January 24, 2024	Rev:	V12
Designed_by:	Totti Liang	Sheet:	1

DNP=Do Not Paste

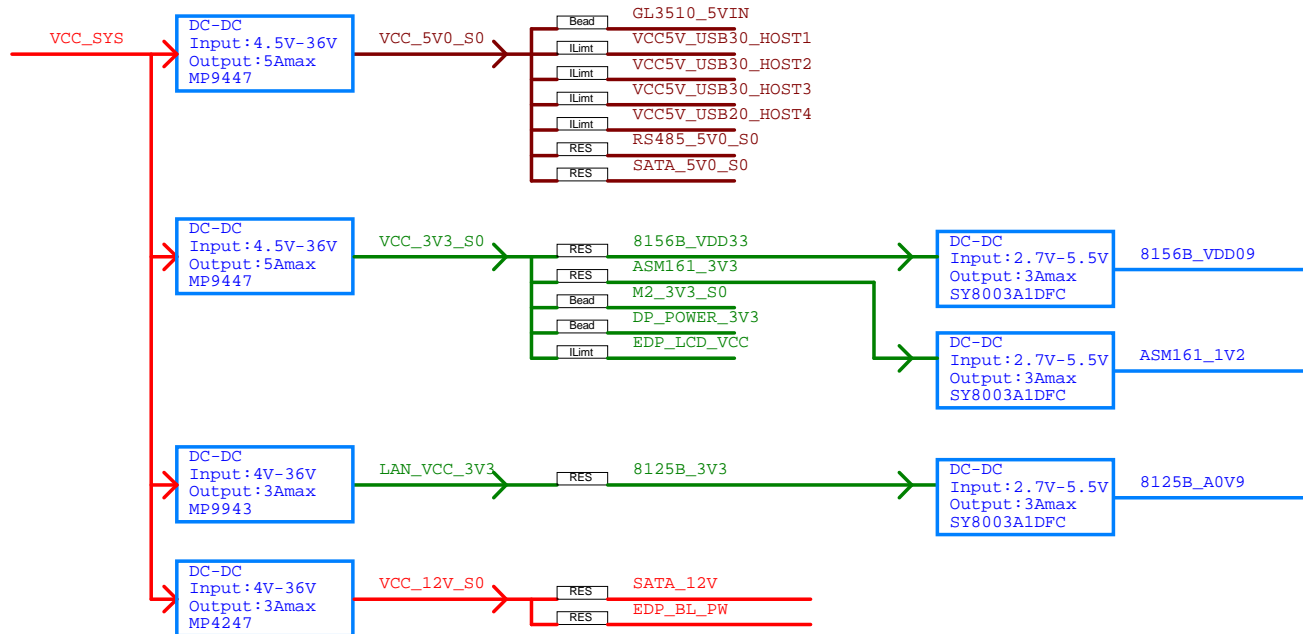


Namtso Technology Co., Ltd			
Project:	ACC-A9A10		
File:	Block		
Date:	Wednesday, January 24, 2024	Rev:	V12
Designed_by:	Totti Liang	Sheet:	2

Power Block

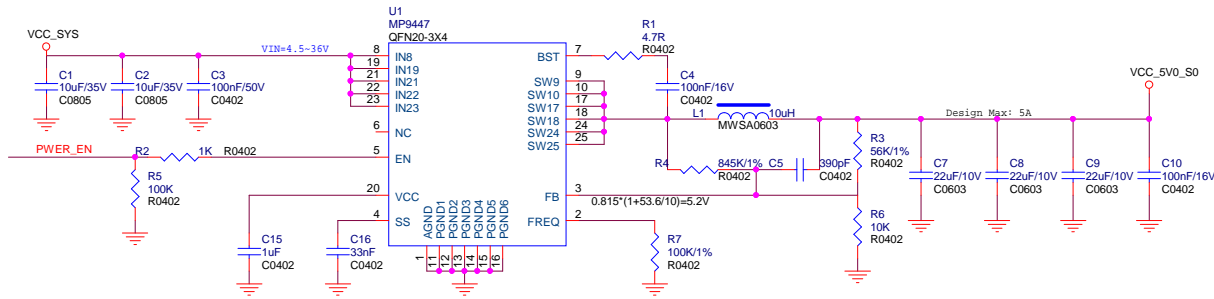


Discrete DC-DC Power Tree

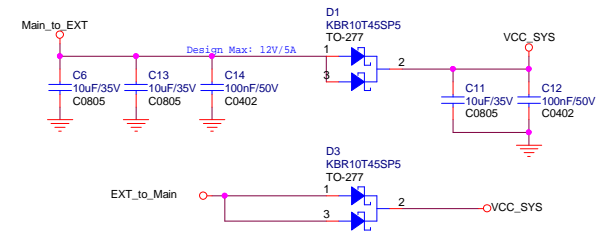


Namtso Technology Co., Ltd			
Project:	ACC-ABA10		
File:	POWER_Tree		
Date:	Wednesday, January 24, 2024	Rev:	V12
Designed_by:	Toll Liang	Sheet:	3

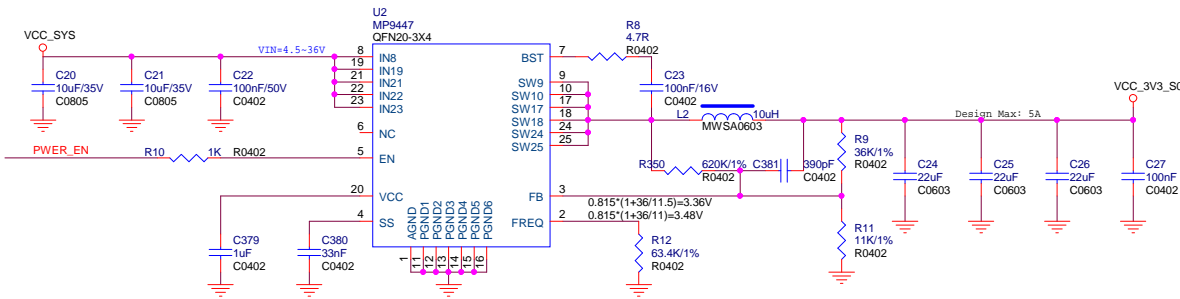
VCC_5V0_S0



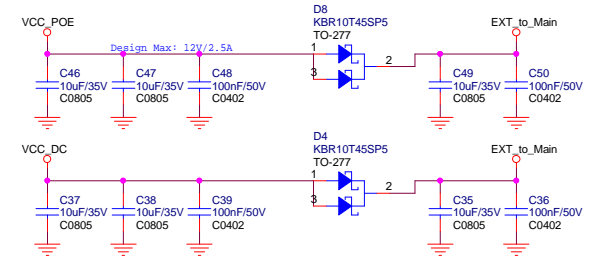
LINK POWER IN



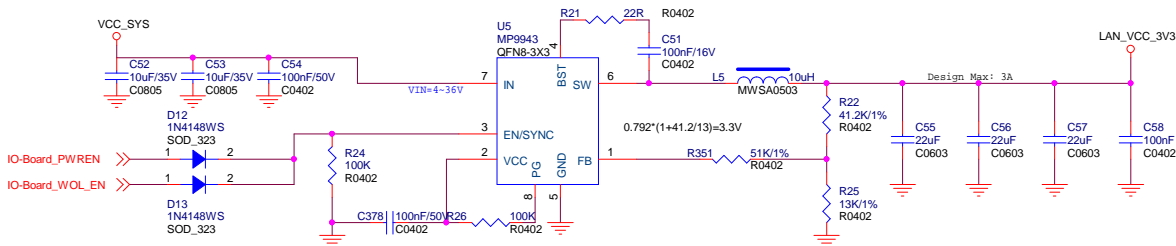
VCC_3V3_S0



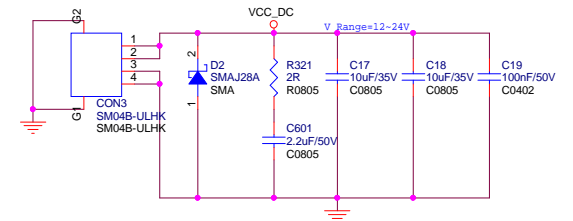
POE POWER IN



LAN_VCC_3V3

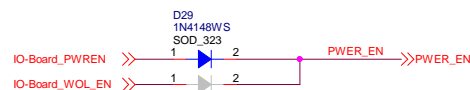


DC POWER IN



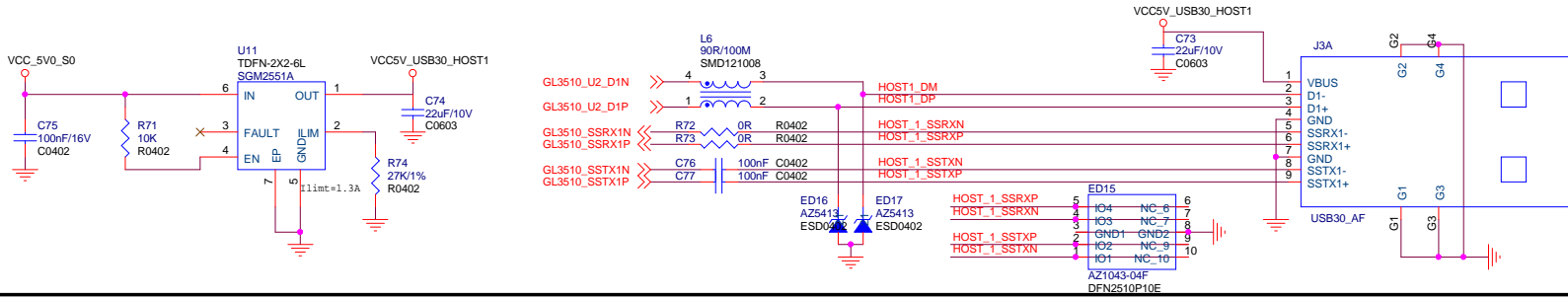
	CPU IO	MCU IO	
WOL Disable	PWREN	WOL_EN	LAN POWER
PWR ON	H	L	3.3V
PWR OFF	L	L	0V
SLEEP	L	L	0V

	CPU IO	MCU IO	
WOL Enable	PWREN	WOL_EN	LAN POWER
PWR ON	H	H	3.3V
PWR OFF	L	H	3.3V
SLEEP	H	X	3.3V

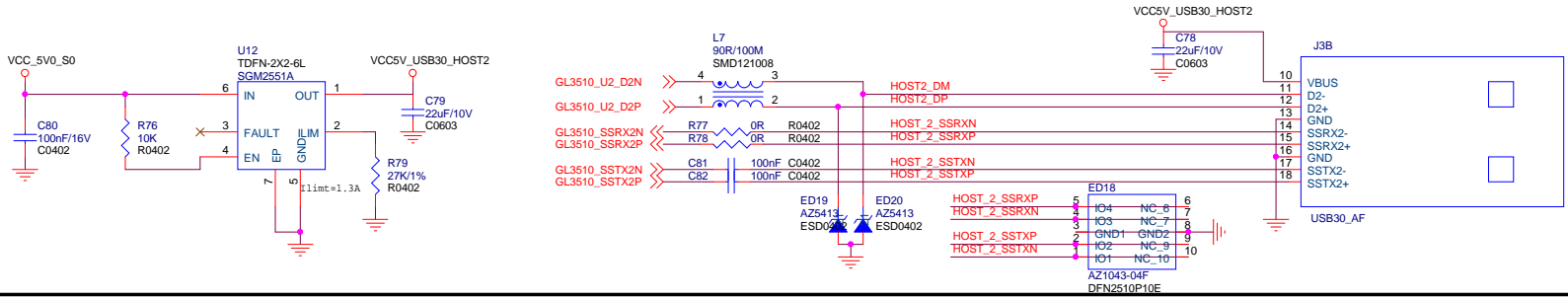


Namtso Technology Co., Ltd			
Project:	ACC-ABA10		
File:	POWER_OUT		
Date:	Wednesday, January 24, 2024	Rev:	V12
Designed_by:	Toll Liang	Sheet:	6

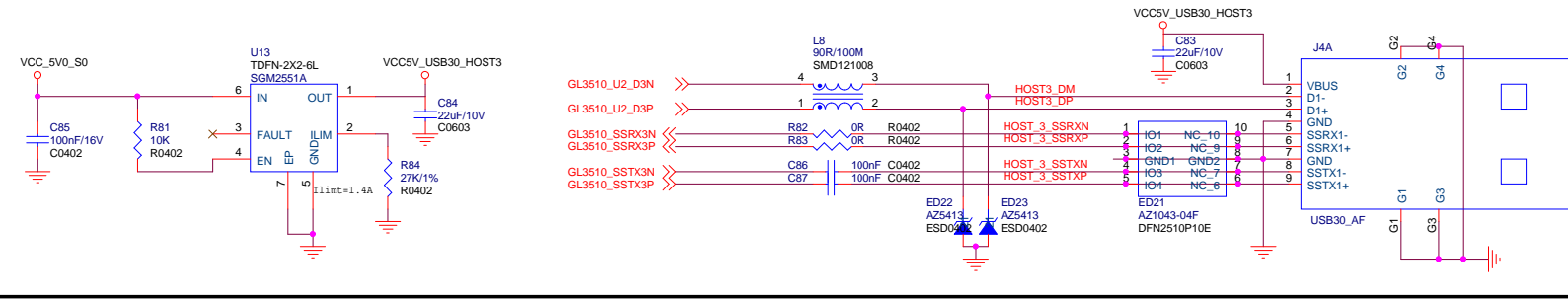
USB30 HOST1



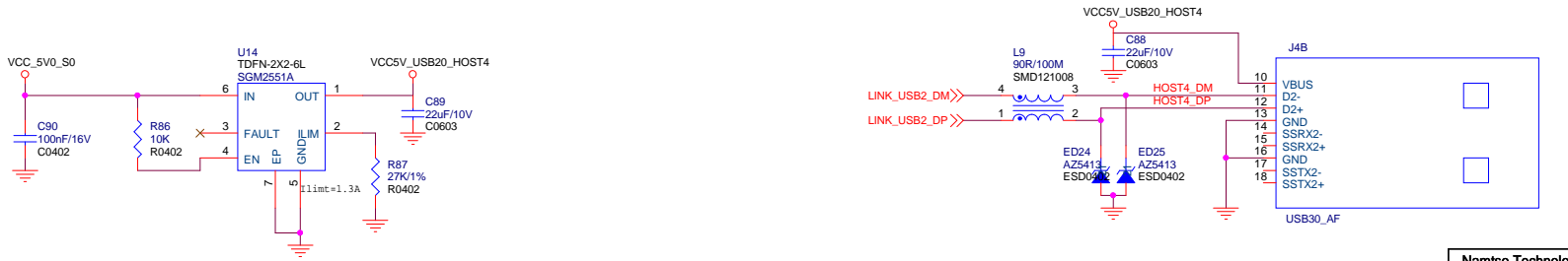
USB30 HOST2



USB30 HOST3

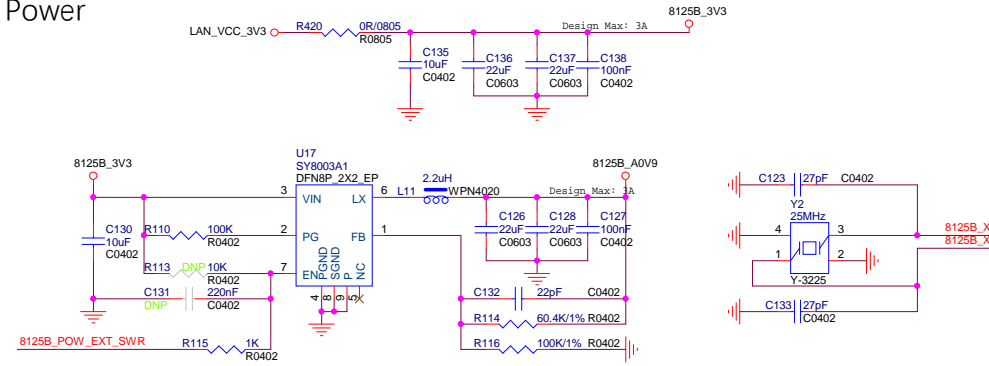


USB20 HOST4

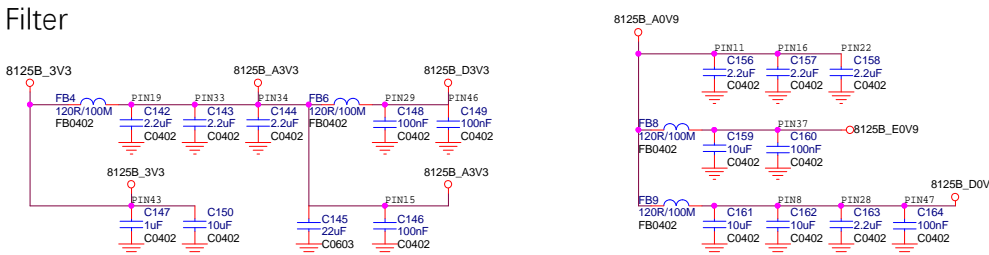


Namtso Technology Co., Ltd			
Project:	ACC-A9A10		
File:	USB_HOST		
Date:	Wednesday, January 24, 2024	Rev:	V12
Designed_by:	Toni Liang	Sheet:	8

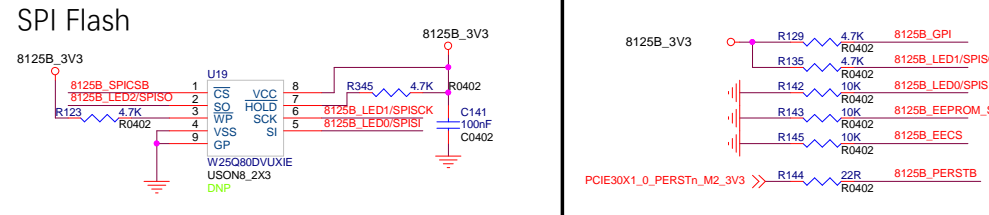
Power



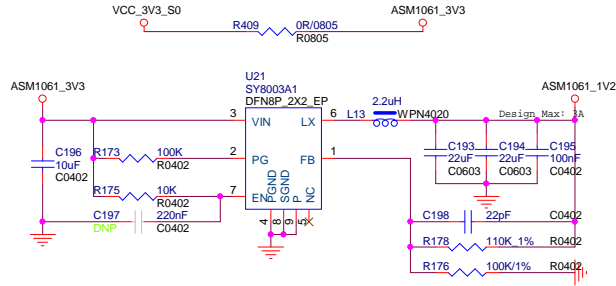
Filter



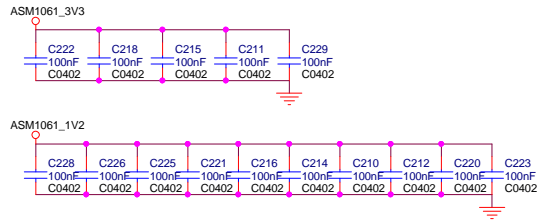
SPI Flash



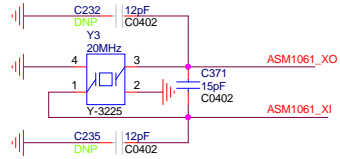
Power



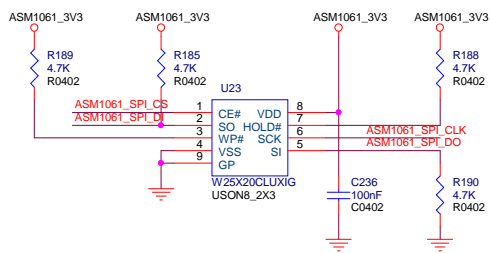
Filter



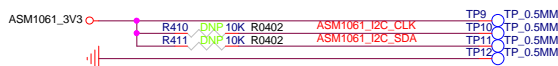
OSC



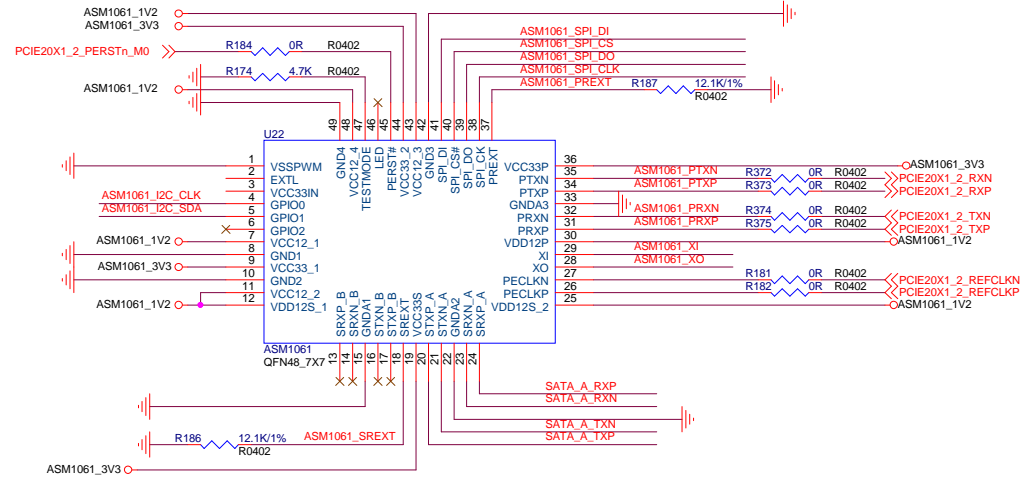
SPI Flash



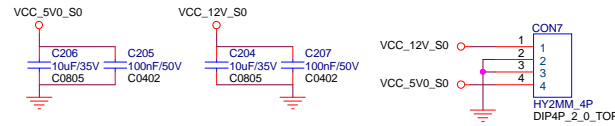
Debug I2C



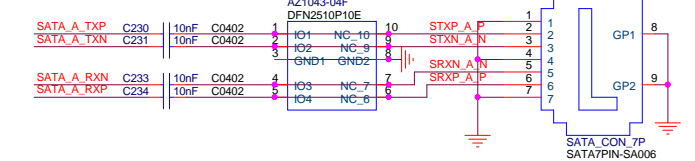
PCIE TO SATA



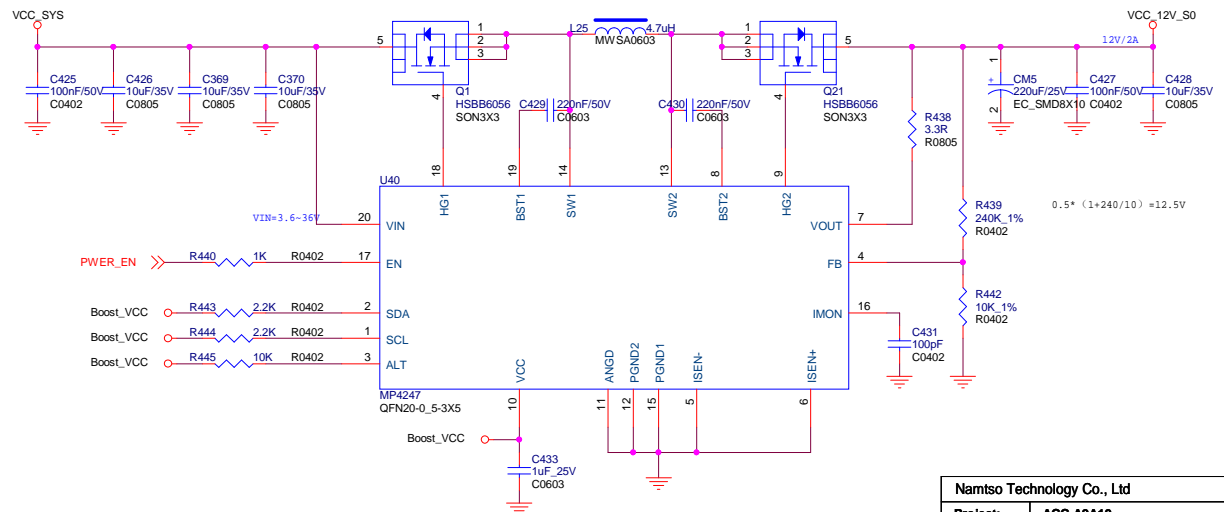
SATA Power



SATA Jack

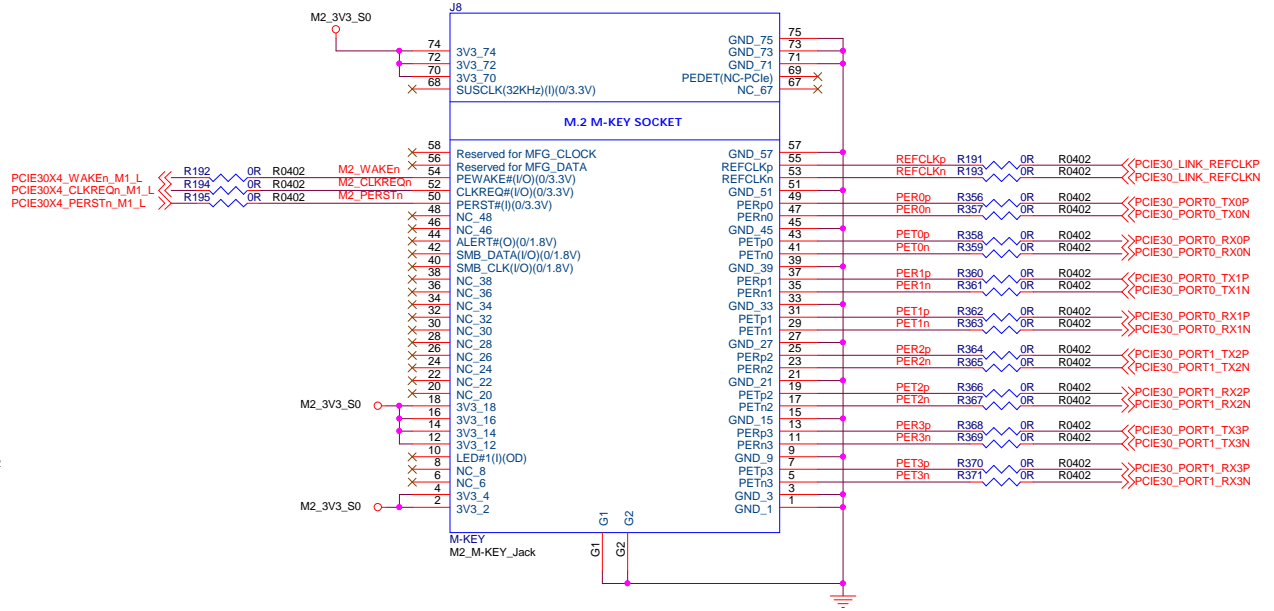
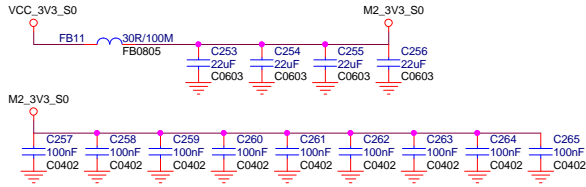
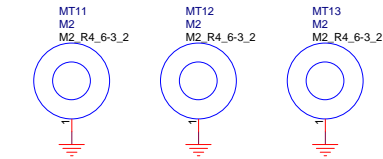


VCC_12V_OUT

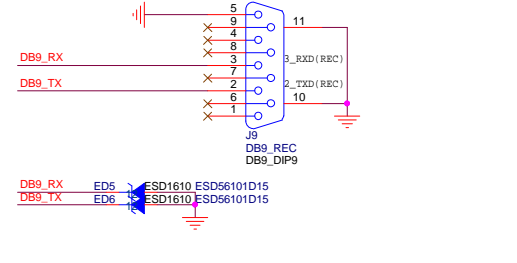
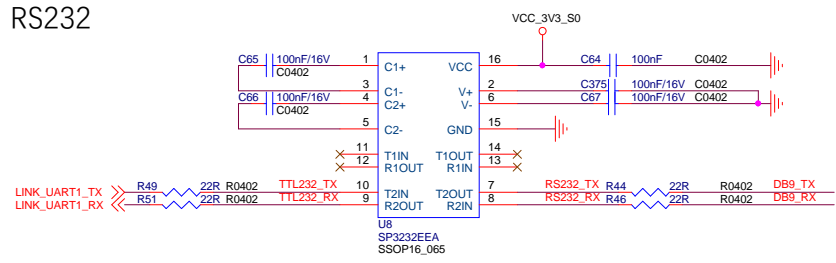


Namtso Technology Co., Ltd			
Project:	ACC-ABA10		
File:	PCIE_TO_SATA		
Date:	Wednesday, January 24, 2024	Rev:	V12
Designed_by:	Toll Liang	Sheet:	11

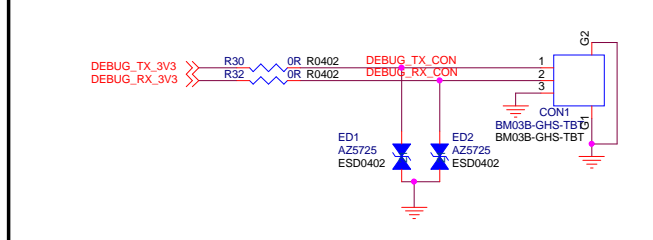
M.2 Socket



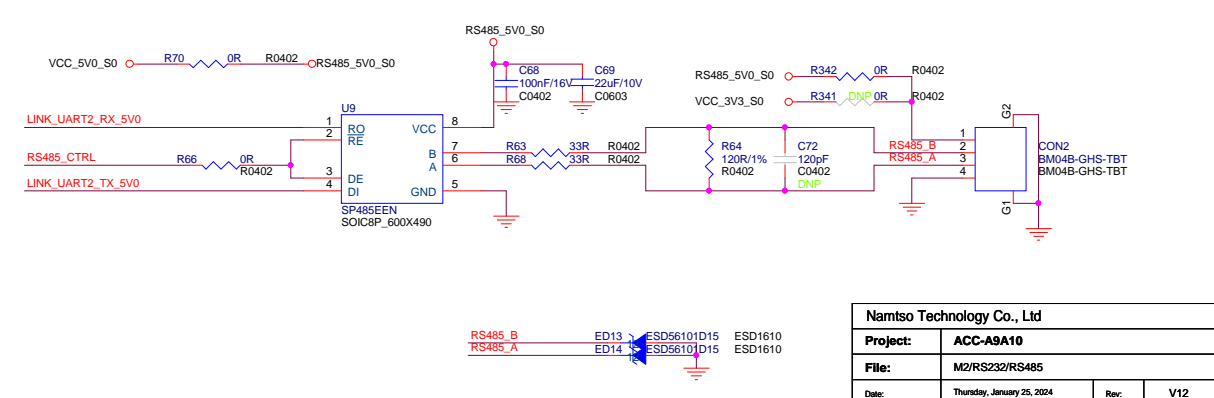
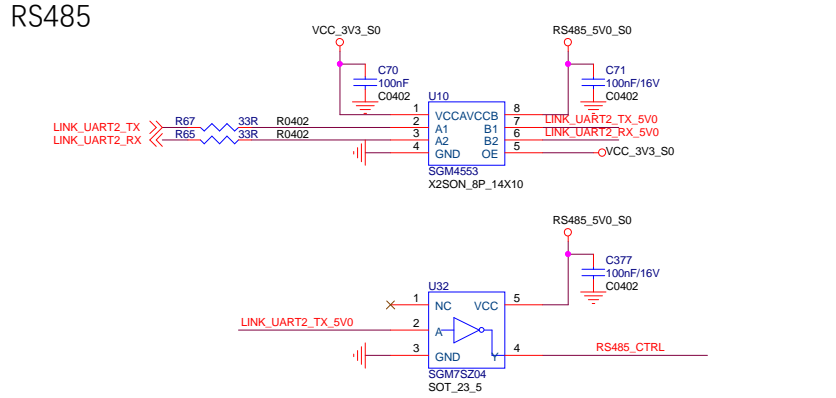
RS232



Debug CON

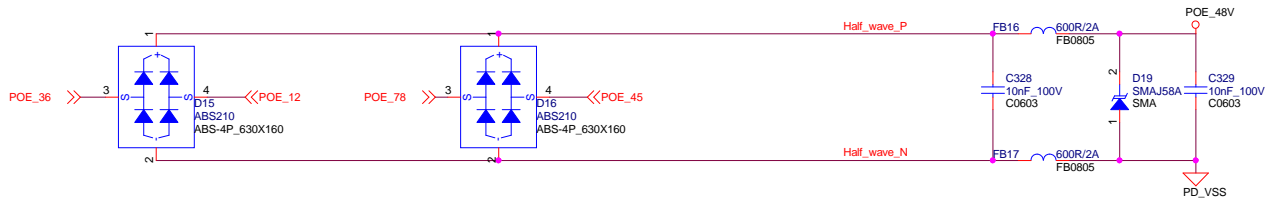


RS485

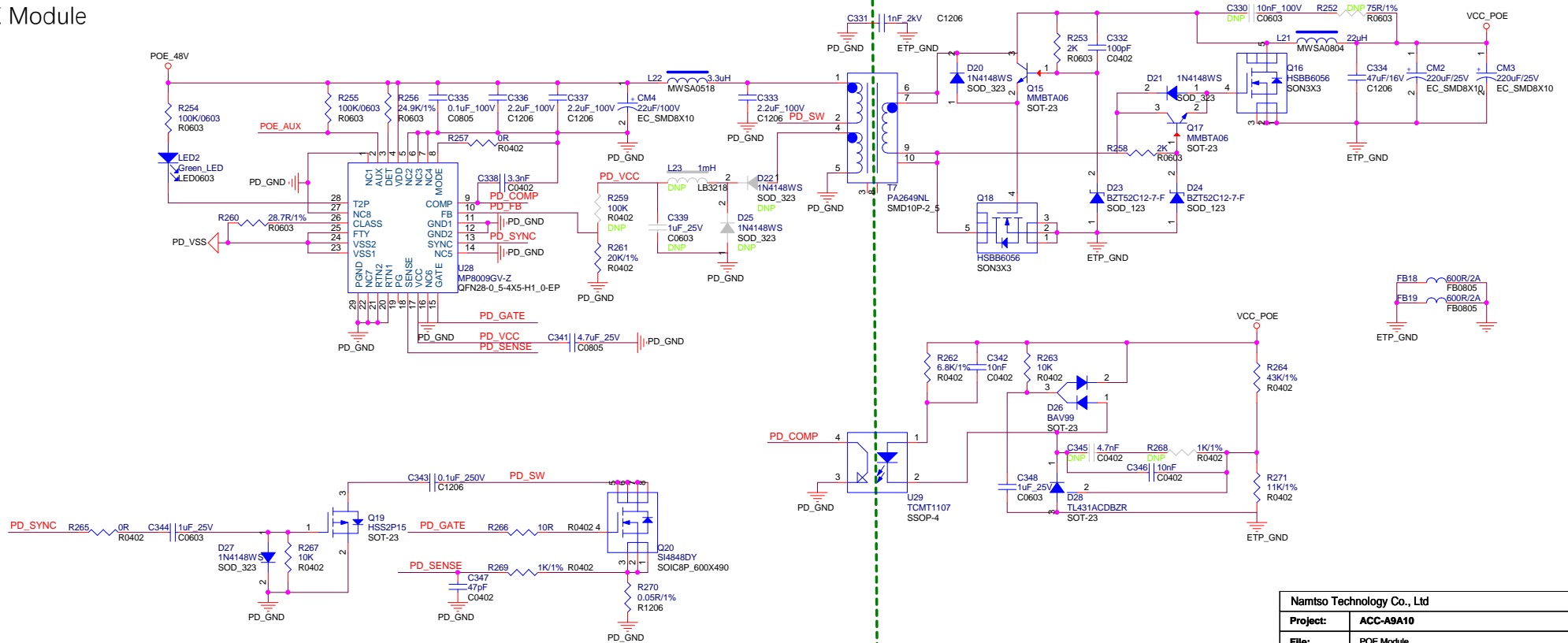


Namtso Technology Co., Ltd			
Project:	ACC-ABA10		
File:	M2/RS232/RS485		
Date:	Thursday, January 25, 2024	Rev:	V12
Designed_by:	Toll Liang	Sheet:	12

Rectifier&Filter



POE Module



Namtso Technology Co., Ltd			
Project:	ACC-ABA10		
File:	POE Module		
Date:	Wednesday, January 24, 2024	Rev:	V12
Designed_by:	Toll Liang	Sheet:	14