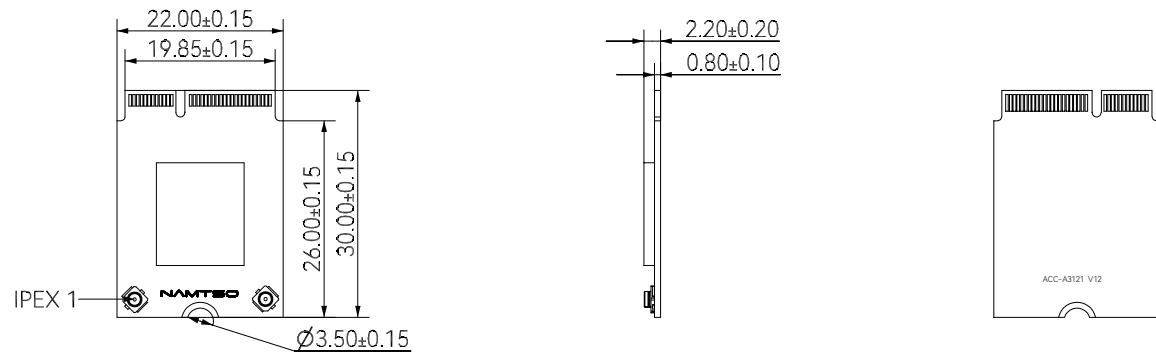


REV.	D/ECN NO.	LOCATION	DESIGN CHANGE DESCRIPTION	DATE	SIGN
V10	-	-	Initial issue	2024/03/26	Noah.Xu



GENERAL TOLERANCE		DESIGN	SIGN	DATE	PCBA		PART NAME		ACC-A3121		NAMTSO
X.±0.5	X.°±2.0						FINISH		N/A		
.X±0.25	.X°±1.5	APPROVAL			REV.	V10	SCALE	1:1	PROCESS	N/A	
.XX±0.10	.XX°±0.5	THIRD ANGLE		PAGE 1 OF 1	UNIT	mm	NAMTSO TECHNOLOGY CO., LTD.				