

# **Rockchip RK3588 Technical Reference Manual (Part 1)**

## **Revision History**

<b>Date</b>	<b>Revision</b>	<b>Description</b>
2023-12-22	1.1	Update the System Overview and GIC600 chapters
2022-03-09	1.0	Initial Release

## Table of Content

Table of Content.....	2
Figure Index.....	8
Table Index .....	12
Warranty Disclaimer .....	15
Chapter 1 System Overview.....	16
1.1 Address Mapping .....	16
1.2 System Boot .....	20
1.3 System Interrupt Connection .....	20
1.4 System DMA Hardware Request Connection .....	26
Chapter 2 CRU .....	28
2.1 Overview .....	28
2.2 Block Diagram .....	28
2.3 Function Description.....	29
2.4 CRU Register Description .....	32
2.5 DDR0CRU Register Description.....	258
2.6 DDR1CRU Register Description.....	264
2.7 DDR2CRU Register Description.....	271
2.8 DDR3CRU Register Description.....	277
2.9 BIGCORE0CRU Register Description .....	283
2.10 BIGCORE1CRU Register Description .....	291
2.11 DSUCRU Register Description.....	299
2.12 PHPTOPCRU Register Description .....	318
2.13 SBUSCRU Register Description .....	322
2.14 SECURECRU Register Description.....	327
2.15 PMU1CRU Register Description .....	340
2.16 PMU1SCRU Register Description .....	354
2.17 Application Notes .....	357
Chapter 3 CPU .....	361
3.1 Overview .....	361
3.2 Block Diagram .....	361
3.3 Function Description.....	362
Chapter 4 Graphics Process Unit (GPU) .....	363
4.1 Overview .....	363
4.2 Block Diagram .....	364
4.3 Function Description.....	364
4.4 Register Description .....	364
4.5 Interface Description .....	364
4.6 Application Notes .....	365
Chapter 5 VPU .....	366
5.1 Overview .....	366
5.2 Block Diagram .....	367
5.3 Video frame format .....	368
5.4 Function Description.....	371
5.5 Register Description .....	384
5.6 Application Notes .....	673
Chapter 6 General Register Files (GRF).....	684
6.1 Overview .....	684
6.2 Function Description.....	684
6.3 PMU0_GRF Register Description .....	685
6.4 PMU1_GRF Register Description .....	690
6.5 SYS_GRF Register Description.....	706
6.6 BIGCORE_GRF Register Description .....	728
6.7 LITCORE_GRF Register Description .....	731
6.8 DSU_GRF Register Description .....	733

6.9 DDR_GRF Register Description .....	739
6.10 CENTER_GRF Register Description .....	759
6.11 GPU_GRF Register Description .....	762
6.12 NPU_GRF Register Description.....	764
6.13 VOP_GRF Register Description.....	768
6.14 VOO_GRF Register Description .....	776
6.15 VO1_GRF Register Description .....	785
6.16 USB_GRF Register Description .....	799
6.17 PHP_GRF Register Description.....	815
6.18 CSIDPHY_GRF Register Description.....	857
6.19 PCIe3PHY_GRF Register Description.....	858
6.20 PIPE_PHY_GRF Register Description .....	926
6.21 USBDPHY_GRF Register Description .....	936
6.22 USB2PHY_GRF Register Description .....	938
6.23 HDPTXPHY_GRF Register Description .....	950
6.24 MIPICDPHY_GRF Register Description.....	952
6.25 PMU1_IOC Register Description .....	954
6.26 PMU2_IOC Register Description .....	964
6.27 BUS_IOC Register Description.....	981
6.28 VCCIO1_4_IOC Register Description .....	1005
6.29 VCCIO3_5_IOC Register Description .....	1026
6.30 VCCIO2_IOC Register Description .....	1061
6.31 VCCIO6_IOC Register Description.....	1066
6.32 EMMC_IOC Register Description .....	1079
6.33 Application Notes .....	1087
Chapter 7 Power Management Unit (PMU).....	1089
7.1 Overview .....	1089
7.2 Block Diagram .....	1089
7.3 Function Description .....	1090
7.4 Register Description .....	1096
7.5 Application Notes .....	1266
Chapter 8 MMU600 .....	1271
8.1 Overview .....	1271
8.2 Block Diagram .....	1273
8.3 Function Description.....	1273
Chapter 9 MCU Subsystem .....	1274
9.1 Overview .....	1274
9.2 Block Diagram .....	1274
9.3 Register Description .....	1276
9.4 Interface Description .....	1294
9.5 Application Notes .....	1295
Chapter 10 Timer .....	1299
10.1 Overview .....	1299
10.2 Block Diagram .....	1299
10.3 Function Description .....	1300
10.4 Register Description.....	1303
10.5 Application Notes .....	1309
Chapter 11 GIC600.....	1310
11.1 Overview .....	1310
11.2 Block Diagram .....	1311
11.3 Function Description .....	1311
Chapter 12 DMA Controller (DMAC) .....	1312
12.1 Overview .....	1312
12.2 Block Diagram .....	1313
12.3 Function Description .....	1314
12.4 Register Description.....	1315

12.5 Timing Diagram .....	1362
12.6 Application Notes .....	1362
Chapter 13 SDMMC_BUFFER .....	1369
13.1 Overview .....	1369
13.2 Block Diagram .....	1369
13.3 Function Description .....	1369
13.4 Interface Description .....	1369
13.5 Application Notes .....	1369
Chapter 14 Temperature-Sensor ADC (TS-ADC).....	1370
14.1 Overview .....	1370
14.2 Block Diagram .....	1370
14.3 Function Description .....	1370
14.4 Register Description.....	1371
14.5 Application Notes .....	1391
Chapter 15 Debug .....	1392
15.1 Overview .....	1392
15.2 Block Diagram .....	1392
15.3 Function Description .....	1392
15.4 Register Description.....	1392
15.5 Interface Description .....	1393
Chapter 16 Mailbox.....	1395
16.1 Overview .....	1395
16.2 Block Diagram .....	1395
16.3 Function Description .....	1395
16.4 Register Description.....	1395
16.5 Application Notes .....	1399
Chapter 17 Watchdog Timer(WDT).....	1401
17.1 Overview .....	1401
17.2 Block Diagram .....	1401
17.3 Function Description .....	1401
17.4 Register Description.....	1402
17.5 Application Notes .....	1405
Chapter 18 Pulse Width Modulation (PWM) .....	1406
18.1 Overview .....	1406
18.2 Block Diagram .....	1407
18.3 Function Description .....	1407
18.4 Register Description.....	1408
18.5 Interface Description .....	1427
18.6 Application Notes .....	1430
Chapter 19 UART.....	1433
19.1 Overview .....	1433
19.2 Block Diagram .....	1433
19.3 Function Description .....	1434
19.4 Register Description.....	1436
19.5 Interface Description .....	1455
19.6 Application Notes .....	1462
Chapter 20 GPIO .....	1466
20.1 Overview .....	1466
20.2 Block Diagram .....	1466
20.3 Function Description .....	1466
20.4 Register Description.....	1467
20.5 Interface Description .....	1477
20.6 Application Notes .....	1488
Chapter 21 I2C Interface .....	1489
21.1 Overview .....	1489

21.2 Block Diagram .....	1489
21.3 Function Description .....	1490
21.4 Register Description.....	1492
21.5 Interface Description .....	1501
21.6 Application Notes .....	1506
Chapter 22 I2S .....	1509
22.1 Overview .....	1509
22.2 Block Diagram .....	1510
22.3 Function description .....	1511
22.4 Register description.....	1516
22.5 Interface Description .....	1541
22.6 Application Notes .....	1546
Chapter 23 SPDIF Transmitter .....	1548
23.1 Overview .....	1548
23.2 Block Diagram .....	1549
23.3 Function description .....	1549
23.4 Register Description.....	1551
23.5 Interface Description .....	1557
23.6 Application Notes .....	1558
Chapter 24 SPDIF Receiver .....	1559
24.1 Overview .....	1559
24.2 Block Diagram .....	1559
24.3 Function description .....	1560
24.4 Register Description.....	1562
24.5 Interface Description .....	1570
24.6 Application Notes .....	1571
Chapter 25 Gigabit Media Access Controller (GMAC) .....	1572
25.1 Overview .....	1572
25.2 Block Diagram .....	1575
25.3 Function Description .....	1576
25.4 Register Description.....	1581
25.5 Interface Description .....	1796
25.6 Application Note.....	1798
Chapter 26 SAR-ADC.....	1822
26.1 Overview .....	1822
26.2 Block Diagram .....	1822
26.3 Function Description .....	1822
26.4 Register Description.....	1822
26.5 Timing Diagram .....	1840
26.6 Application Notes .....	1840
Chapter 27 Digital Audio Codec .....	1841
27.1 Overview .....	1841
27.2 Block Diagram .....	1841
27.3 Function description .....	1842
27.4 Register Description.....	1842
27.5 Interface Description .....	1853
27.6 Application Notes .....	1853
Chapter 28 Voice Activity Detect (VAD) .....	1855
28.1 Overview .....	1855
28.2 Block Diagram .....	1855
28.3 Function Description .....	1856
28.4 Register Description.....	1858
28.5 Application Notes .....	1867
Chapter 29 CAN .....	1870
29.1 Overview .....	1870

29.2 Features .....	1870
29.3 Function Description .....	1871
29.4 Register Description .....	1877
29.5 Interface Description .....	1896
29.6 Application Notes .....	1897
Chapter 30 Flexible Serial Peripheral Interface (FSPI) .....	1901
30.1 Overview .....	1901
30.2 Block Diagram .....	1901
30.3 Function Description .....	1901
30.4 Register Description.....	1902
30.5 Interface Description .....	1920
30.6 Application Notes .....	1922
Chapter 31 Serial Peripheral Interface (SPI).....	1926
31.1 Overview .....	1926
31.2 Block Diagram .....	1926
31.3 Function Description .....	1928
31.4 Register Description.....	1929
31.5 Interface Description .....	1938
31.6 Application Notes .....	1943
Chapter 32 SPINLOCK .....	1946
32.1 Overview .....	1946
32.2 Block Diagram .....	1946
32.3 Register Description.....	1946
Chapter 33 KEYLAD .....	1947
33.1 Overview .....	1947
33.2 Block Diagram .....	1947
33.3 Function Description .....	1948
33.4 Register Description.....	1948
33.5 Application Note.....	1962
Chapter 34 Share Memory .....	1963
34.1 Overview .....	1963
34.2 Block Diagram .....	1963
34.3 Function Description .....	1963
34.4 Register Description.....	1963
34.5 Application Notes .....	1967
Chapter 35 DECOM .....	1970
35.1 Overview .....	1970
35.2 Block Diagram .....	1970
35.3 Function Description .....	1970
35.4 Register Description.....	1972
35.5 Application Notes .....	1981
Chapter 36 RKNN .....	1982
36.1 Overview .....	1982
36.2 Block Diagram .....	1982
36.3 Function Description .....	1983
36.4 Register Description.....	1984
36.5 Application Notes .....	2050
Chapter 37 Video Capture (VICAP) .....	2056
37.1 Overview .....	2056
37.2 Block Diagram .....	2056
37.3 Function Description .....	2056
37.4 VICAP Register Description .....	2063
37.5 Interface Description .....	2253
37.6 Application Notes .....	2255
Chapter 38 FishEye Correction(FEC).....	2257

38.1 Overview .....	2257
38.2 Block Diagram .....	2257
38.3 Function Description .....	2257
38.4 Register Description.....	2259
38.5 Application Notes .....	2273
Chapter 39 Pulse Density Modulation Interface Controller .....	2274
39.1 Overview .....	2274
39.2 Block Diagram .....	2274
39.3 Function Description .....	2275
39.4 Register Description.....	2276
39.5 Interface Description .....	2283
39.6 Application Notes .....	2285

Rockchip Confidential

## Figure Index

Fig. 2-1 CRU Block Diagram .....	29
Fig. 2-2 Reset Architecture Diagram .....	30
Fig. 2-3 FRACPLL Block Diagram .....	31
Fig. 2-4 INTPLL Block Diagram .....	31
Fig. 2-5 DDRPLL Block Diagram .....	32
Fig. 2-6 PLL Start-up Operation .....	358
Fig. 2-7 PLL Bypass Operation .....	358
Fig. 2-8 PLL Glitch-free Scaler Operation.....	358
Fig. 3-1 Block Diagram.....	362
Fig. 4-1 GPU Architecture .....	364
Fig. 5-1 Combo Block Diagram .....	367
Fig. 5-2 VCODEC YCbCr 4:2:0 planar format .....	368
Fig. 5-3 VCODEC YCbCr 4:2:0 Semi-planar format .....	369
Fig. 5-4 VCODEC YCbCr4:2:2 Interleaved format .....	369
Fig. 5-5 VCODEC AYCbCr 4:4:4 Interleaved format .....	370
Fig. 5-6 VCODEC Tile scan mode .....	370
Fig. 5-7 VCODEC RGB 16bpp format .....	371
Fig. 5-8 FBC output format .....	371
Fig. 5-9 Structure of two-level page table .....	372
Fig. 5-10 Link table register prepare in DDR format.....	376
Fig. 5-11 The dataflow of JPEG decoder and post-processor.....	381
Fig. 5-12 Post-process Dataflow .....	383
Fig. 5-13 MMU config flow .....	673
Fig. 5-14 Link table mode work flow.....	674
Fig. 5-15 Ccu mode work flow .....	675
Fig. 5-16 VEPU mode mode .....	676
Fig. 5-17 HEVC ROI configuration summary .....	679
Fig. 5-18 H.264 ROI configuration summary.....	681
Fig. 7-1 PMU Bock Diagram .....	1090
Fig. 7-2 RK3588 Voltage Domain and Power Domain Partition .....	1090
Fig. 8-1 Block Diagram.....	1273
Fig. 9-1 Block Diagram of PMU_M0 Subsystem .....	1275
Fig. 9-2 Block Diagram of NPU_M0 Subsystem.....	1276
Fig. 9-3 Block Diagram of DDR_M0 Subsystem .....	1276
Fig. 10-1 Normal Timer Block Diagram .....	1299
Fig. 10-2 HPTIMER Block Diagram .....	1300
Fig. 10-3 Timer Usage Flow .....	1301
Fig. 10-4 Timing between timer_en and timer_clk.....	1309
Fig. 11-1 Block Diagram .....	1311
Fig. 12-1 Block Diagram of DMAC .....	1314
Fig. 12-2 DMAC Operation State .....	1315
Fig. 12-3 DMAC Request and Acknowledge Timing .....	1362
Fig. 13-1 SDMMC_BUFFER Architecture .....	1369
Fig. 14-1 TS-ADC Controller Block Diagram .....	1370
Fig. 14-2 Timing diagram for TS-ADC .....	1391
Fig. 15-1 Debug System Structure .....	1392
Fig. 15-2 DAP SWJ Interface .....	1393
Fig. 15-3 SW-DP Acknowledgement Timing .....	1393
Fig. 16-1 Mailbox Block Diagram.....	1395
Fig. 17-1 WDT Block Diagram.....	1401
Fig. 17-2 WDT Operation Flow (RMOD=1) .....	1402
Fig. 18-1 PWM Block Diagram .....	1407
Fig. 18-2 PWM Capture Mode .....	1407
Fig. 18-3 PWM Continuous Left-aligned Output Mode.....	1408
Fig. 18-4 PWM Continuous Center-aligned Output Mode.....	1408



Fig. 18-5 PWM One-shot Center-aligned Output Mode.....	1408
Fig. 19-1 UART Architecture.....	1433
Fig. 19-2 UART Serial protocol.....	1434
Fig. 19-3 UART baud rate .....	1434
Fig. 19-4 UART Auto flow control block diagram .....	1435
Fig. 19-5 UART AUTO RTS TIMING .....	1436
Fig. 19-6 UART AUTO CTS TIMING .....	1436
Fig. 19-7 UART none fifo mode.....	1462
Fig. 19-8 UART fifo mode.....	1463
Fig. 19-9 UART0-UART4 clock generation .....	1464
Fig. 19-10 UART5-UART9 clock generation .....	1465
Fig. 20-1 GPIO Block Diagram .....	1466
Fig. 21-1 I2C architecture.....	1489
Fig. 21-2 I2C DATA Validity .....	1492
Fig. 21-3 I2C Start and stop conditions .....	1492
Fig. 21-4 I2C Acknowledge .....	1492
Fig. 21-5 I2C byte transfer .....	1492
Fig. 21-6 I2C Flow chat for transmit only mode.....	1506
Fig. 21-7 I2C Flow chat for receive only mode .....	1507
Fig. 21-8 I2C Flow chat for mix mode.....	1508
Fig. 22-1 I2S/PCM/TDM Controller (8-channel) Block Diagram .....	1510
Fig. 22-2 I2S/PCM Controller (2-channel) Block Diagram.....	1510
Fig. 22-3 I2S Transmitter-Master & Receiver-Slave Condition.....	1511
Fig. 22-4 I2S Transmitter-Slave & Receiver-Master Condition.....	1511
Fig. 22-5 I2S Normal Mode Timing Format .....	1512
Fig. 22-6 I2S Left Justified Mode Timing Format.....	1512
Fig. 22-7 I2S Right Justified Mode Timing Format.....	1512
Fig. 22-8 PCM Early Mode Timing Format .....	1512
Fig. 22-9 PCM Late1 Mode Timing Format .....	1513
Fig. 22-10 PCM Late2 Mode Timing Format .....	1513
Fig. 22-11 PCM Late3 Mode Timing Format .....	1513
Fig. 22-12 TDM Normal Mode Timing Format (PCM Format) .....	1514
Fig. 22-13 TDM Left Shift Mode 0 Timing Format (PCM Format).....	1514
Fig. 22-14 TDM Left Shift Mode 1 Timing Format (PCM Format).....	1514
Fig. 22-15 TDM Left Shift Mode 2 Timing Format (PCM Format).....	1515
Fig. 22-16 TDM Left Shift Mode 3 Timing Format (PCM Format).....	1515
Fig. 22-17 TDM Normal Mode Timing Format (I2S Format) .....	1515
Fig. 22-18 TDM Left Justified Mode Timing Format (I2S Format).....	1516
Fig. 22-19 TDM Right Justified Mode Timing Format (I2S Format).....	1516
Fig. 22-20 I2S/PCM/TDM Controller Transmit Operation Flow Chart.....	1547
Fig. 23-1 SPDIF transmitter Block Diagram .....	1549
Fig. 23-2 SPDIF Frame Format .....	1549
Fig. 23-3 SPDIF Sub-frame Format .....	1550
Fig. 23-4 SPDIF Channel Coding .....	1550
Fig. 23-5 SPDIF Preamble.....	1551
Fig. 23-6 SPDIF transmitter operation flow chart.....	1558
Fig. 24-1 SPDIF receiver Block Diagram.....	1559
Fig. 24-2 SPDIF Frame Format .....	1560
Fig. 24-3 SPDIF Sub-frame Format .....	1560
Fig. 24-4 SPDIF Channel Coding .....	1561
Fig. 24-5 SPDIF Preamble.....	1561
Fig. 24-6 SPDIF receiver operation flow chart .....	1571
Fig. 25-1 GMAC Block Diagram.....	1575
Fig. 25-2 GMAC in SOC .....	1575
Fig. 25-3 Frame Format.....	1576
Fig. 25-4 RMII Transmission Bit Ordering .....	1576
Fig. 25-5 Start of MII and RMII Transmission in 100-Mbps Mode .....	1577

Fig. 25-6 End of MII and RMI Transmission in 100-Mbps Mode .....	1577
Fig. 25-7 Start of MII and RMI Transmission in 10-Mbps Mode .....	1577
Fig. 25-8 End of MII and RMI Transmission in 10-Mbps Mode.....	1577
Fig. 25-9 RMI Receive Bit Ordering .....	1578
Fig. 25-10 Descriptor Ring Structure .....	1798
Fig. 25-11 RMI Clock Architecture When Clock Source From CRU .....	1820
Fig. 25-12 RMI Clock Architecture When Clock Source From External OSC .....	1820
Fig. 25-13 RGMII Clock Architecture When Clock Source From CRU .....	1820
Fig. 25-14 RGMII Clock Architecture When Clock Source From External OSC.....	1821
Fig. 26-1 SAR-ADC Block Diagram .....	1822
Fig. 26-2 SAR-ADC Timing Diagram .....	1840
Fig. 27-1 Digital Audio Codec Block Diagram .....	1841
Fig. 28-1 VAD Block Diagram .....	1856
Fig. 28-2 VAD_DET Block Diagram.....	1857
Fig. 28-3 VAD usage flow (only used ram write interface mode).....	1867
Fig. 28-4 VAD usage flow (use bus mode and ram write interface mode).....	1868
Fig. 29-1 CAN Controller Block Diagram.....	1871
Fig. 29-2 Bit timing FSM.....	1872
Fig. 29-3 Bit timing waveform diagram.....	1872
Fig. 29-4 Three sampling diagram .....	1873
Fig. 29-5 Hard sync waveform diagram .....	1873
Fig. 29-6 Resynchronization.....	1874
Fig. 29-7 Receive data state diagram .....	1875
Fig. 29-8 Bit Stuffing .....	1876
Fig. 30-1 FSPI Architecture .....	1901
Fig. 30-2 Program Flow .....	1922
Fig. 30-3 Read Flow .....	1923
Fig. 30-4 Command with DMA Flow.....	1924
Fig. 30-5 SPI mode.....	1925
Fig. 30-6 Idle cycles .....	1925
Fig. 31-1 SPI Controller Block Diagram.....	1927
Fig. 31-2 SPI Master and Slave Interconnection .....	1928
Fig. 31-3 SPI Format (SCPH=0 SCPOL=0).....	1928
Fig. 31-4 SPI Format (SCPH=0 SCPOL=1).....	1929
Fig. 31-5 SPI Format (SCPH=1 SCPOL=0).....	1929
Fig. 31-6 SPI Format (SCPH=1 SCPOL=1).....	1929
Fig. 31-7 SPI Master transfer flow diagram .....	1944
Fig. 31-8 SPI Slave transfer flow diagram .....	1945
Fig. 32-1 Spinlock in System.....	1946
Fig. 33-1 KEYLAD Architecture .....	1947
Fig. 34-1 Block Diagram of Share Memory .....	1963
Fig. 35-1 DECOM Block Diagram.....	1970
Fig. 35-2 DECOM Data Flow .....	1972
Fig. 36-1 RKNN Triple Core Architecture.....	1982
Fig. 36-2 RKNN Single Core Architecture.....	1983
Fig. 36-3 PC flow .....	2051
Fig. 36-4 Convolution flow 1 .....	2052
Fig. 36-5 Convolution flow 2 .....	2053
Fig. 36-6 Pooling flow .....	2054
Fig. 36-7 DPU flying mode flow .....	2055
Fig. 37-1 VICAP Block Diagram.....	2056
Fig. 38-1 FEC Block Diagram.....	2257
Fig. 38-2 FEC function description.....	2258
Fig. 38-3 FEC meshgrid overlap.....	2258
Fig. 38-4 FEC meshgrid order in DDR .....	2259
Fig. 39-1 PDM Block Diagram .....	2274
Fig. 39-2 PDM with Eight Mono MIC .....	2275

Fig. 39-3 PDM with Four Stereo MIC..... 2275  
Fig. 39-4 PDM interface diagram with external MIC ..... 2276  
Fig. 39-5 PDM Clock Structure..... 2276  
Fig. 39-6 PDM Operation Flow ..... 2285

Rockchip Confidential

## Table Index

Table 1-1 Address Mapping .....	16
Table 1-2 Address Remapping .....	20
Table 1-3 RK3588 Interrupt Connection List .....	20
Table 1-4 RK3588 DMAC Hardware Request Connection List .....	26
Table 3-1 CPU Configuration.....	361
Table 4-1 MCU Serial Wire Debug Interface Description.....	364
Table 5-1 MPEG-4/H.263 feature .....	372
Table 5-2 MPEG-2/MPEG-1 features .....	373
Table 5-3 Video H.265 decoder features.....	373
Table 5-4 Video H.264 decoder features.....	374
Table 5-5 Video vp9 decoder features.....	374
Table 5-6 Video AVS2 decoder features.....	374
Table 5-7 Video H.265 decoder Unique input data .....	375
Table 5-8 Video H.264 decoder Unique input data .....	375
Table 5-9 Video VP9 decoder Unique input data .....	375
Table 5-10 Video AVS2 decoder Unique input data.....	376
Table 5-11 Link table write back register.....	377
Table 5-12 Colmv uncompress info.....	379
Table 5-13 Row or Col buffer size required .....	380
Table 5-14 JPEG features.....	380
Table 5-15 Post-processor features .....	382
Table 5-16 Video H.265 decoder features.....	383
Table 5-17 Video Jpeg encoder feature .....	383
Table 5-18 HEVC and H.264 encoder feature .....	384
Table 5-19 Base address of config .....	384
Table 5-20 Link Table Node Section mapping and size.....	677
Table 5-21 Video Source Buffer allocation .....	677
Table 5-22 ROI_BASE_STRUCT for HEVC .....	680
Table 5-23 ROI_CUQP_STRUCT for HEVC.....	680
Table 5-24 ROI ROI_AMV_STRUCT for HEVC.....	681
Table 5-25 ROI ROI_PUMV_STRUCT for HEVC.....	681
Table 5-26 ROI_BASE_STRUCT for H.264.....	682
Table 5-27 ROI_QP_STRUCT for H.264 .....	682
Table 5-28 ROI ROI_AMV_STRUCT for H.264 .....	682
Table 5-29 ROI ROI_PUMV_STRUCT for H.264 .....	683
Table 6-1 GRF Address Mapping Table .....	684
Table 7-1 RK3588 Voltage Domain and Power Domain Summary .....	1090
Table 7-2 Nested Power Domain 1.....	1266
Table 7-3 Nested Power Domain 2.....	1267
Table 7-4 Power Management IO Interface.....	1268
Table 7-5 PMU Debug IO Interface .....	1269
Table 7-6 PMU Debug Information Decode Before Enter Power Mode 0 .....	1269
Table 7-7 PMU Debug Information Decode After Enter Power Mode 0 .....	1270
Table 8-1 MMU600_PCIE Configuration .....	1271
Table 8-2 MMU600_PHP Configuration .....	1271
Table 9-1 MCU Subsystem Configurations .....	1274
Table 9-2 MCU Serial Wire Debug Interface Description.....	1295
Table 9-3 PMU_M0 Address Remap .....	1295
Table 9-4 NPU_M0 Address Remap.....	1295
Table 9-5 DDR_M0 Address Remap .....	1295
Table 9-6 Address Map for the Cache RAM Debug.....	1297
Table 10-1 TIMER attribute .....	1309
Table 11-1 GIC600 Configuration .....	1310
Table 12-1 DMAC Request Mapping Table .....	1312
Table 13-1 SDMMC_BUFFER interface mapping .....	1369

Table 14-1 Temperature Code Mapping .....	1391
Table 15-1 SW-DP Interface Description .....	1393
Table 18-1 PWM Interface Description .....	1427
Table 19-1 UART0 Interface Description .....	1455
Table 19-2 UART1 Interface Description .....	1455
Table 19-3 UART2 Interface Description .....	1456
Table 19-4 UART3 Interface Description .....	1457
Table 19-5 UART4 Interface Description .....	1457
Table 19-6 UART5 Interface Description .....	1458
Table 19-7 UART6 Interface Description .....	1459
Table 19-8 UART7 Interface Description .....	1459
Table 19-9 UART8 Interface Description .....	1460
Table 19-10 UART9 Interface Description .....	1461
Table 19-11 UART baud rate configuration.....	1465
Table 20-1 GPIO Interface Description .....	1477
Table 21-1 I2C Interface Description .....	1501
Table 22-1 I2S0 Interface Description .....	1541
Table 22-2 I2S1 Group 0 Interface Description .....	1542
Table 22-3 I2S1 Group 1 Interface Description .....	1543
Table 22-4 I2S2 Group 0 Interface Description .....	1544
Table 22-5 I2S2 Group 1 Interface Description .....	1544
Table 22-6 I2S3 Interface Description .....	1545
Table 22-7 I2S4/8 and DPTX0/1 Interface Description.....	1545
Table 22-8 I2S5/6 and EDP TX Controller0/1 Interface Description .....	1545
Table 22-9 I2S5/6 and HDMI TX Controller0/1 Interface Description .....	1546
Table 22-10 I2S7 and HDMIRX Interface Description .....	1546
Table 22-11 I2S9/10 and HDMI TX Controller0/1 Interface Description.....	1546
Table 23-1 Maximum Frequency of MCLK for the 6 SPDIF Transmitters.....	1548
Table 23-2 SPDIF0 Interface Description .....	1557
Table 23-3 SPDIF1 Interface Description.....	1557
Table 25-1 MDIO Clause 45 Frame Structure .....	1578
Table 25-2 MDIO Clause 22 Frame Structure .....	1579
Table 25-3 GMAC0 Interface .....	1796
Table 25-4 GMAC1 Interface .....	1796
Table 25-5 TDES0 Normal Descriptor (Read Format).....	1799
Table 25-6 TDES1 Normal Descriptor (Read Format).....	1799
Table 25-7 TDES2 Normal Descriptor (Read Format).....	1799
Table 25-8 TDES3 Normal Descriptor (Read Format).....	1800
Table 25-9 TDES0 Normal Descriptor (Write-Back Format).....	1802
Table 25-10 TDES1 Normal Descriptor (Write-Back Format).....	1802
Table 25-11 TDES2 Normal Descriptor (Write-Back Format).....	1803
Table 25-12 TDES2 Normal Descriptor (Write-Back Format).....	1803
Table 25-13 TDES0 Context Descriptor .....	1810
Table 25-14 TDES1 Context Descriptor .....	1810
Table 25-15 TDES2 Context Descriptor .....	1810
Table 25-16 TDES3 Context Descriptor .....	1810
Table 25-17 TDES0 Normal Descriptor(Read Format) .....	1812
Table 25-18 TDES1 Normal Descriptor(Read Format) .....	1812
Table 25-19 TDES2 Normal Descriptor(Read Format) .....	1812
Table 25-20 TDES3 Normal Descriptor(Read Format) .....	1812
Table 25-21 TDES0 Normal Descriptor(Write-Back Format).....	1813
Table 25-22 TDES1 Normal Descriptor(Write-Back Format).....	1813
Table 25-23 TDES2 Normal Descriptor(Write-Back Format).....	1815
Table 25-24 TDES3 Normal Descriptor(Write-Back Format).....	1816
Table 25-25 TDES0 Context Descriptor .....	1818
Table 25-26 TDES1 Context Descriptor .....	1818
Table 25-27 TDES2 Context Descriptor .....	1819

Table 25-28 TDES3 Context Descriptor .....	1819
Table 27-1 Digital Audio Codec Interface Description .....	1853
Table 29-1 Receive FIFO message format.....	1875
Table 29-2 TXE FIFO message format.....	1877
Table 29-3 CAN Interface Description .....	1896
Table 30-1 FSPI Address Mapping Table .....	1902
Table 30-2 FSPI IO M0 Group Interface Description .....	1920
Table 30-3 FSPI M1 Group Interface Description .....	1920
Table 30-4 FSPI M2 Group Interface Description .....	1921
Table 31-1 SPI0 interface description .....	1938
Table 31-2 SPI1 interface description .....	1939
Table 31-3 SPI2 interface description .....	1940
Table 31-4 SPI3 interface description .....	1941
Table 31-5 SPI4 interface description .....	1942
Table 37-1 VICAP Address Mapping.....	2063
Table 37-2 VICAP Interface Description.....	2253
Table 39-1 Relation between PDM_CLK and Sample Rate.....	2276
Table 39-2 Group 0 PDM0 IO Interface Description .....	2283
Table 39-3 Group 1 PDM0 IO Interface Description .....	2284
Table 39-4 Group 0 PDM1 IO Interface Description .....	2284
Table 39-5 Group 1 PDM1 IO Interface Description .....	2284

## **Warranty Disclaimer**

Copyright © 2023 Rockchip Electronics Co., Ltd. All rights reserved.

No part of this document may be reproduced, transmitted or used in any form or by any means without the written prior consent of Rockchip Electronics Co., Ltd.

### **Trademark**

Rockchip is a registered trademark of Rockchip Electronics Co., Ltd. in the People's Republic of China and other countries/areas. Other brands, product names mentioned in this document are the property of their respective owners.

### **Disclaimer**

Rockchip Electronics Co., Ltd. ("Rockchip") may make changes to any information in this document at any time without any prior notice.

Information in this document is provided just as a reference or typical applications. All or part of product features described in this document may not be within the purchase scope or the usage scope, and may be subject to the third party licensing requirements. All statements, information in this document is provided "AS IS" without warranties of any kind, either express or implied. Actual performance of Rockchip products may vary in different applications. Third party licenses maybe required to use some features supported by Rockchip products. Customers shall be solely and exclusively responsible to obtain all appropriately required third party licenses prior to its such use. Should customers use the features supported by Rockchip products without any required third party license, customers shall indemnify and hold Rockchip and its subsidiaries, affiliates as well as distributors harmless against all claims, costs, damages, and expenses, and reasonable attorney fees arising out of any claim associated with such unauthorized use. Rockchip products are not intended for use in military, airplane, medical devices, lifesaving or life sustaining applications ("Unintended Uses"). Customers shall take any and all actions to ensure using Rockchip products in a lawful manner and shall be liable for Unintended Uses.

## Chapter 1 System Overview

### 1.1 Address Mapping

RK3588 boot from internal BootRom, which supports remap function by software programming. Remap is controlled by PMU\_SGRF\_SOC\_CON2[1:0]. When remap is set to 2'b01, the BootRom is un-accessible and PMU\_SRAM is mapped to address 0xFFFF0000. When remap is set to 2'b10, the BootRom is un-accessible and SYSTEM\_SRAM is mapped to address 0xFFFF0000.

Table 1-1 Address Mapping

Module	Start Address	Size	Module	Start Address	Size
PCIe3_4L_S	F0000000	16MB	SPDIF_RX2	FDE18000	32KB
PCIe3_2L_S	F1000000	16MB	DSI_HOST0	FDE20000	64KB
PCIe3_1L0_S	F2000000	16MB	DSI_HOST1	FDE30000	64KB
PCIe3_1L1_S	F3000000	16MB	HDCP0	FDE40000	32KB
PCIe3_1L2_S	F4000000	16MB	HDCP0_TRNG	FDE48000	32KB
PCIe3_4L_DBI	F5000000	4MB	DP0	FDE50000	64KB
PCIe3_2L_DBI	F5400000	4MB	DP1	FDE60000	64KB
PCIe3_1L0_DBI	F5800000	4MB	HDCP1	FDE70000	32KB
PCIe3_1L1_DBI	F5C00000	4MB	HDCP1_TRNG	FDE78000	32KB
PCIe3_1L2_DBI	F6000000	4MB	HDMI_TX0	FDE80000	128KB
Reserved	F6400000	11MB	HDMI_TX1	FDEA0000	128KB
MCU_TCM	F6F00000	64KB	eDP0	FDEC0000	64KB
MCU_CACHE	F6F10000	64KB	eDP1	FDED0000	64KB
MCU_RAM_TEST	F6F20000	64KB	HDMI_RX	FDEE0000	64KB
Reserved	F6F30000	832KB	HDCP_KEY_0	FDEF0000	32KB
DDRCTL_0	F7000000	16MB	HDCP_KEY_1	FDEF8000	64KB
DDRCTL_1	F8000000	16MB	Reserved	FDF08000	32KB
DDRCTL_2	F9000000	16MB	HDMIRX_S	FDF10000	16KB
DDRCTL_3	FA000000	16MB	Reserved	FDF14000	16KB
GPU_G610	FB000000	16MB	eDP0_S	FDF18000	16KB
USB3_0	FC000000	4MB	eDP1_S	FDF1C000	16KB
USB3_1	FC400000	4MB	Reserved	FDF20000	64KB
USB2HOST_0	FC800000	512KB	INTERCONNECT	FDF30000	896KB
USB2HOST_1	FC880000	512KB	FIREWALL_DSUDDR	FE010000	32KB
MMU600_PCIE	FC900000	2MB	Reserved	FE018000	96KB
MMU600_PHP	FCB00000	2MB	FIREWALL_DDR	FE030000	32KB
USB3_2	FCD00000	4MB	FIREWALL_SYSTEMEM	FE038000	32KB
DAPLITE2	FD100000	512KB	Reserved	FE040000	64KB
Reserved	FD180000	512KB	DMA2DDR	FE050000	64KB
Reserved	FD200000	64KB	DDR_MON0	FE060000	16KB
Reserved	FD210000	3520KB	DDR_MON1	FE064000	16KB
PMU0_SGRF	FD580000	8KB	DDR_MON2	FE068000	16KB
PMU1_SGRF	FD582000	8KB	DDR_MON3	FE06C000	16KB
Reserved	FD584000	8KB	Reserved	FE070000	320KB
BUS_SGRF	FD586000	4KB	DDRPHY0	FE0C0000	64KB



Module	Start Address	Size	Module	Start Address	Size
DSU_SGRF	FD587000	4KB	DDRPHY1	FE0D0000	64KB
PMU0_GRF	FD588000	8KB	DDRPHY2	FE0E0000	64KB
PMU1_GRF	FD58A000	8KB	DDRPHY3	FE0F0000	64KB
SYS_GRF	FD58C000	16KB	Reserved	FE100000	64KB
BIGCORE0_GRF	FD590000	8KB	WDT_DDR	FE110000	32KB
BIGCORE1_GRF	FD592000	8KB	TIMER_DDR(2CH)	FE118000	32KB
LITCORE_GRF	FD594000	16KB	SHARE_MEM_SLV	FE120000	32KB
DSU_GRF	FD598000	16KB	AHB2APB	FE128000	32KB
DDR01_GRF	FD59C000	4KB	Reserved	FE130000	128KB
DDR23_GRF	FD59D000	4KB	PCIe3_4L_APB	FE150000	64KB
CENTER_GRF	FD59E000	8KB	PCIe3_2L_APB	FE160000	64KB
GPU_GRF	FD5A0000	8KB	PCIe3_1L0_APB	FE170000	64KB
NPU_GRF	FD5A2000	8KB	PCIe3_1L1_APB	FE180000	64KB
VOP_GRF	FD5A4000	8KB	PCIe3_1L2_APB	FE190000	64KB
VO0_GRF	FD5A6000	8KB	Reserved	FE1A0000	64KB
VO1_GRF	FD5A8000	16KB	GMAC0	FE1B0000	64KB
USB_GRF	FD5AC000	16KB	GMAC1	FE1C0000	64KB
PHP_GRF	FD5B0000	16KB	Reserved	FE1D0000	256KB
CSIDPHY0_GRF	FD5B4000	4KB	SATA0	FE210000	64KB
CSIDPHY1_GRF	FD5B5000	4KB	SATA1	FE220000	64KB
Reserved	FD5B6000	8KB	SATA2	FE230000	64KB
PCIe3PHY_GRF	FD5B8000	16KB	Reserved	FE240000	448KB
PIPE_PHY0_GRF	FD5BC000	16KB	FSPI	FE2B0000	64KB
PIPE_PHY1_GRF	FD5C0000	16KB	SDMMC	FE2C0000	64KB
PIPE_PHY2_GRF	FD5C4000	16KB	SDIO	FE2D0000	64KB
USBDPHY0_GRF	FD5C8000	16KB	EMMC	FE2E0000	64KB
USBDPHY1_GRF	FD5CC000	16KB	SDMMC_BUF	FE2F0000	64KB
USB2PHY0_GRF	FD5D0000	16KB	Reserved	FE300000	448KB
USB2PHY1_GRF	FD5D4000	16KB	CRYPTO_NS	FE370000	32KB
USB2PHY2_GRF	FD5D8000	16KB	TRNG_NS	FE378000	32KB
USB2PHY3_GRF	FD5DC000	16KB	KEYLADDER_S	FE380000	64KB
HDPTXPHY0_GRF	FD5E0000	16KB	CRYPTO_S(Slave)	FE390000	32KB
HDPTXPHY1_GRF	FD5E4000	16KB	TRNG_S	FE398000	32KB
MIPIDCPHY0_GRF	FD5E8000	16KB	OTP_S	FE3A0000	64KB
MIPIDCPHY1_GRF	FD5EC000	16KB	Reserved	FE3B0000	64KB
PMU1_IOC	FD5F0000	16KB	DCF	FE3C0000	64KB
PMU2_IOC	FD5F4000	16KB	TIMER_S_0(6CH)	FE3D0000	64KB
BUS_IOC	FD5F8000	4KB	WDT_S	FE3E0000	64KB
VCCIO1_4_IOC	FD5F9000	4KB	SEC_TRNG_CHK	FE3F0000	64KB
VCCIO3_5_IOC	FD5FA000	4KB	Reserved	FE400000	128KB
VCCIO2_IOC	FD5FB000	4KB	CRYPTO_S(By Keylad)	FE420000	64KB
VCCIO6_IOC	FD5FC000	4KB	Reserved	FE430000	256KB
EMMC_IOC	FD5FD000	4KB	I2S0_8CH	FE470000	64KB
Reserved	FD5FE000	8KB	I2S1_8CH	FE480000	64KB

Module	Start Address	Size	Module	Start Address	Size
SYSTEM_SRAM	FD600000	1MB	I2S2_2CH	FE490000	64KB
PMU_MEM	FD700000	256KB	I2S3_2CH	FE4A0000	64KB
Reserved	FD740000	512KB	PDM0	FE4B0000	64KB
CRU_NS	FD7C0000	32KB	PDM1	FE4C0000	64KB
PHP_PPLL_CRU	FD7C8000	32KB	VAD	FE4D0000	64KB
SEC_SCRU	FD7D0000	32KB	SPDIF_TX0	FE4E0000	64KB
BUS_SCRU	FD7D8000	32KB	SPDIF_TX1	FE4F0000	64KB
PMU1_SCRU	FD7E0000	64KB	ACDCDIG_DSM	FE500000	64KB
PMU1_CRU	FD7F0000	64KB	Reserved	FE510000	576KB
DDRPHY0_CRU	FD800000	16KB	SPINLOCK	FE5A0000	64KB
DDRPHY1_CRU	FD804000	16KB	Reserved	FE5B0000	320KB
DDRPHY2_CRU	FD808000	16KB	GIC600	FE600000	4MB
DDRPHY3_CRU	FD80C000	16KB	DMAC0_S	FEA00000	64KB
BIGCORE0_CRU	FD810000	8KB	DMAC0_NS	FEA10000	64KB
BIGCORE1_CRU	FD812000	8KB	DMAC1_S	FEA20000	64KB
Reserved	FD814000	16KB	DMAC1_NS	FEA30000	64KB
DSU_CRU	FD818000	16KB	Reserved	FEA40000	64KB
Reserved	FD81C000	400KB	CAN0	FEA50000	64KB
I2C0	FD880000	64KB	CAN1	FEA60000	64KB
UART0	FD890000	64KB	CAN2	FEA70000	64KB
GPIO0	FD8A0000	64KB	DECOM	FEA80000	64KB
PWM0	FD8B0000	64KB	I2C1	FEA90000	64KB
PVTM_PMU	FD8C0000	32KB	I2C2	FEAA0000	64KB
HPTIMER	FD8C8000	16KB	I2C3	FEAB0000	64KB
Reserved	FD8CC000	16KB	I2C4	FEAC0000	64KB
PMU	FD8D0000	64KB	I2C5	FEAD0000	64KB
WDT_PMU	FD8E0000	64KB	TIMER_NS_0(6CH)	FEAE0000	32KB
TIMER_PMU(2CH)	FD8F0000	64KB	TIMER_NS_1(6CH)	FEAE8000	32KB
Reserved	FD900000	704KB	WDT_NS	FEAF0000	64KB
OSC_CHK	FD9B0000	64KB	SPI0	FEB00000	64KB
SCRAMBLE_KEY	FD9C0000	64KB	SPI1	FEB10000	64KB
Reserved	FD9D0000	448KB	SPI2	FEB20000	64KB
PVTM_CORE_B0	FDA40000	32KB	SPI3	FEB30000	64KB
Reserved	FDA48000	32KB	UART1	FEB40000	64KB
PVTM_CORE_B1	FDA50000	32KB	UART2	FEB50000	64KB
Reserved	FDA58000	32KB	UART3	FEB60000	64KB
PVTM_CORE_L	FDA60000	64KB	UART4	FEB70000	64KB
Reserved	FDA70000	256KB	UART5	FEB80000	64KB
RKNN C0	FDAB0000	64KB	UART6	FEB90000	64KB
RKNN C1	FDAC0000	64KB	UART7	FEBA0000	64KB
RKNN C2	FDAD0000	64KB	UART8	FEBB0000	64KB
Reserved	FDAE0000	64KB	UART9	FEBC0000	64KB
PVTM_NPU	FDAF0000	32KB	PWM1	FEBD0000	64KB
WDT_NPU	FDAF8000	32KB	PWM2	FEBE0000	64KB

Module	Start Address	Size	Module	Start Address	Size
TIMER_NPU(2CH)	FDB00000	32KB	PWM3	FEBF0000	64KB
Reserved	FDB08000	160KB	TSADC	FEC00000	64KB
PVTM_GPU	FDB30000	64KB	SARADC	FEC10000	64KB
Reserved	FDB40000	64KB	GPIO1	FEC20000	64KB
VDP	FDB50000	64KB	GPIO2	FEC30000	64KB
RGA3_0	FDB60000	64KB	GPIO3	FEC40000	64KB
RGA3_1	FDB70000	64KB	GPIO4	FEC50000	64KB
RGA2	FDB80000	64KB	MAILBOX0(MCU_PMU)	FEC60000	64KB
JPEG_DEC	FDB90000	64KB	MAILBOX1(MCU_DDR)	FEC70000	64KB
JPEG_ENC0	FDBA0000	16KB	I2C6	FEC80000	64KB
JPEG_ENC1	FDBA4000	16KB	I2C7	FEC90000	64KB
JPEG_ENC2	FDBA8000	16KB	I2C8	FECA0000	64KB
JPEG_ENC3	FDBAC000	16KB	SPI4	FECB0000	64KB
IEP	FDBB0000	64KB	OTP_NS	FEC00000	64KB
Reserved	FDBC0000	64KB	Reserved	FECD0000	64KB
RKVENC0	FDBD0000	64KB	MAILBOX2(MCU_NPU)	FECE0000	64KB
RKVENC1	FDBE0000	64KB	INTMUX(MCU_PMU)	FECF0000	32KB
Reserved	FDBF0000	256KB	INTMUX(MCU_DDR)	FECF8000	32KB
RKVDEC_CCU	FDC30000	32KB	DMAC2_S	FED00000	64KB
RKVDEC0	FDC38000	32KB	DMAC2_NS	FED10000	64KB
RKVDEC1	FDC40000	64KB	JTAG_LOCK	FED20000	32KB
Reserved	FDC50000	128KB	Reserved	FED28000	32KB
AV1	FDC70000	256KB	TIMER_S_1(6CH)	FED30000	64KB
ISP0	FDCB0000	64KB	Reserved	FED40000	128KB
ISP1	FDCC0000	64KB	HDPTX Combo PHY0	FED60000	64KB
FISHEYE0	FDCD0000	32KB	HDPTX Combo PHY1	FED70000	64KB
FISHEYE1	FDCE8000	32KB	USB DP PHY0	FED80000	64KB
VICAP	FDCE0000	128KB	USB DP PHY1	FED90000	64KB
Reserved	FDD00000	64KB	MIPI CD PHY0	FEDA0000	64KB
CSI HOST0	FDD10000	64KB	MIPI CD PHY1	FEDB0000	64KB
CSI HOST1	FDD20000	64KB	MIPI CSI DPHY0	FEDC0000	32KB
CSI HOST2	FDD30000	64KB	MIPI CSI DPHY1	FEDC8000	32KB
CSI HOST3	FDD40000	64KB	Reserved	FEDD0000	64KB
CSI HOST4	FDD50000	64KB	HDMI RX PHY	FEDE0000	64KB
CSI HOST5	FDD60000	64KB	Reserved	FEDF0000	64KB
Reserved	FDD70000	128KB	Combo PIPE PHY0	FEE00000	64KB
VOP	FDD90000	64KB	Combo PIPE PHY1	FEE10000	64KB
HDCP0_MMU	FDDA0000	64KB	Combo PIPE PHY2	FEE20000	64KB
SPDIF_TX2	FDDB0000	32KB	Reserved	FEE30000	312KB
SPDIF_TX5	FDD80000	32KB	PCIe3 PHY	FEE80000	512KB
I2S4_8CH	FDDC0000	32KB	Reserved	FEF00000	1MB
I2S8_8CH	FDDC8000	32KB	SYSTEM_SRAM	FF000000	1MB
HDCP1_MMU	FDDD0000	64KB	PMU_MEM	FF100000	256KB
SPDIF_TX3	FDDE0000	32KB	PCIe3_4L_S	900000000	1024MB

Module	Start Address	Size	Module	Start Address	Size
SPDIF_TX4	FDDE8000	32KB	PCIe3_2L_S	940000000	1024MB
I2S5_8CH	FDDF0000	16KB	PCIe3_1L0_S	980000000	1024MB
I2S6_8CH	FDDF4000	16KB	PCIe3_1L1_S	9c0000000	1024MB
I2S7_8CH	FDDF8000	16KB	PCIe3_1L2_S	a00000000	1024MB
I2S9_8CH	FDDFC000	16KB	PCIe3_4L_DBI	a40000000	4MB
I2S10_8CH	FDE00000	16KB	PCIe3_2L_DBI	a40400000	4MB
Reserved	FDE04000	16KB	PCIe3_1L0_DBI	a40800000	4MB
SPDIF_RX0	FDE08000	32KB	PCIe3_1L1_DBI	a40c00000	4MB
SPDIF_RX1	FDE10000	32KB	PCIe3_1L2_DBI	a41000000	4MB

The following table show the boot address when before remap and after remap

Table 1-2 Address Remapping

remap[1:0]=2'b00		remap[1:0]=2'b01		remap[1:0]=2'b10	
		not accessible	BootRom(32KB)	not accessible	BootRom(32KB)
0xFFFF0000	BootRom(32KB)	0xFFFF0000	PMU_SRAM(64KB)	0xFFFF0000	SYSTEM_SRAM (64KB)
0xFF100000	PMU_SRAM(64KB)	0xFF100000	PMU_SRAM(64KB)	0xFF100000	PMU_SRAM(64KB)
0xFF000000	SYSTEM_SRAM(1MB)	0xFF000000	SYSTEM_SRAM(1MB)	0xFF000000	SYSTEM_SRAM(1MB)

## 1.2 System Boot

RK3588 provides system boot from off-chip devices such as SDMMC card, eMMC memory, serial Nand or Nor flash. When boot code is not ready in these devices, also provide system code download into them by USB OTG interface. All of the boot code will be stored in internal BootRom. The following is the whole boot procedure for boot code, which will be stored in BootRom in advance.

The following features are supported.

- Support system boot from the following device:
  - Serial Nor Flash, 1bit or 4bits data width(device layout in FSPI IO)
  - Serial Nand Flash, 1bit data width(device layout in FSPI IO)
  - eMMC Interface, 8bits data width
  - SDMMC Card, 4bits data width
  - RK3588 has two bootwom:
    - Normal Bootrom in non-secure world, which CPU\_S and CPU\_NS both can access
    - Secure Bootrom in secure world, only CPU\_S can access
- Support system code download by USB OTG

## 1.3 System Interrupt Connection

RK3588 provides an general interrupt controller (GIC) for CPU, which has 512 SPI (shared peripheral interrupts) interrupt sources and 12 PPI(Private peripheral interrupt) interrupt source. The triggered type for each SPI interrupt is high level sensitive, and triggered type for each PPI interrupt is low level sensitive, not programmable. The detailed interrupt sources connection is in the following table.

Table 1-3 RK3588 Interrupt Connection List

Number	Source	Polarity	Number	Source	Polarity
0-21 PPI	NA	Low level	238	irq_fsipi	High level
22 PPI	cpu_ncommirq	Low level	239	irq_keylad	High level
23 PPI	cpu_npmuirq	Low level	240	irq_crypto_s	High level
24 PPI	cpu_ctiirq	Low level	241	irq_crypto_ns	High level

Number	Source	Polarity	Number	Source	Polarity
25 PPI	cpu_nvcpumntirq	Low level	242	irq_otp_s	High level
26 PPI	cpu_ncnthpirq	Low level	243	irq_otp_ns	High level
27 PPI	cpu_ncntvirq	Low level	244	irq_trng_chk	High level
28 PPI	cpu_ncnthvirq	Low level	245	irq_dcf	High level
29 PPI	cpu_ncntpsirq	Low level	246	irq_usb2host0_arb	High level
30 PPI	cpu_ncntpsnirq	Low level	247	irq_usb2host0_ehci	High level
31 PPI	NA	Low level	248	irq_usb2host0_ohci	High level
32	irq_dsu_nfaultirq0	High level	249	irq_usb2host1_arb	High level
33	irq_dsu_nfaultirq1	High level	250	irq_usb2host1_ehci	High level
34	irq_dsu_nfaultirq2	High level	251	irq_usb2host1_ohci	High level
35	irq_dsu_nfaultirq3	High level	252	irq_usb3otg0	High level
36	irq_dsu_nfaultirq4	High level	253	irq_usb3otg1	High level
37	irq_dsu_nfaultirq5	High level	254	irq_usb3otg2	High level
38	irq_dsu_nfaultirq6	High level	255	irq_gmac0_mcgr_dma_req	High level
39	irq_dsu_nfaultirq7	High level	256	irq_gmac1_mcgr_dma_req	High level
40	irq_dsu_nfaultirq8	High level	257	irq_gmac0_lpi	High level
41	irq_dsu_nerrirq0	High level	258	irq_gmac0_pmt	High level
42	irq_dsu_nerrirq1	High level	259	irq_gmac0_sbd	High level
43	irq_dsu_nerrirq2	High level	260	irq_gmac0_sbd_perch_rx_o0	High level
44	irq_dsu_nerrirq3	High level	261	irq_gmac0_sbd_perch_rx_o1	High level
45	irq_dsu_nerrirq4	High level	262	irq_gmac0_sbd_perch_tx_o0	High level
46	irq_dsu_nerrirq5	High level	263	irq_gmac0_sbd_perch_tx_o1	High level
47	irq_dsu_nerrirq6	High level	264	irq_gmac1_lpi	High level
48	irq_dsu_nerrirq7	High level	265	irq_gmac1_pmt	High level
49	irq_dsu_nerrirq8	High level	266	irq_gmac1_sbd	High level
50	irq_dsu_nclusterpmuirq	High level	267	irq_gmac1_sbd_perch_rx_o0	High level
51	irq_ddrctl_sbr_done_ch0	High level	268	irq_gmac1_sbd_perch_rx_o1	High level
52	irq_ddrctl_arpoison_ch0	High level	269	irq_gmac1_sbd_perch_tx_o0	High level
53	irq_ddrctl_awpoison_ch0	High level	270	irq_gmac1_sbd_perch_tx_o1	High level
54	irq_ddrctl_ecc_corrected_err_ch0	High level	271	irq_pcie30x1_0_err	High level
55	irq_ddrctl_ecc_uncorrected_err_ch0	High level	272	irq_pcie30x1_0_legacy	High level
56	irq_ddrctl_ecc_ap_err_ch0	High level	273	irq_pcie30x1_0_msg_rx	High level
57	irq_ddrctl_rd_linkecc_uncorr_err_ch0	High level	274	irq_pcie30x1_0_pmc	High level
58	irq_ddrctl_rd_linkecc_corr_err_ch0	High level	275	irq_pcie30x1_0_sys	High level
59	irq_ddrctl_derate_temp_limit_ch0	High level	276	irq_pcie30x1_1_err	High level
60	irq_ddrmon_ch0	High level	277	irq_pcie30x1_1_legacy	High level
61	irq_ddrctl_sbr_done_ch1	High level	278	irq_pcie30x1_1_msg_rx	High level
62	irq_ddrctl_arpoison_ch1	High level	279	irq_pcie30x1_1_pmc	High level
63	irq_ddrctl_awpoison_ch1	High level	280	irq_pcie30x1_1_sys	High level
64	irq_ddrctl_ecc_corrected_err_ch1	High level	281	irq_pcie30x1_2_err	High level
65	irq_ddrctl_ecc_uncorrected_err_ch1	High level	282	irq_pcie30x1_2_legacy	High level

Number	Source	Polarity	Number	Source	Polarity
66	irq_ddrctl_ecc_ap_err_ch1	High level	283	irq_pcie30x1_2_msg_rx	High level
67	irq_ddrctl_rd_linkecc_uncorr_err_ch1	High level	284	irq_pcie30x1_2_pmc	High level
68	irq_ddrctl_rd_linkecc_corr_err_ch1	High level	285	irq_pcie30x1_2_sys	High level
69	irq_ddrctl_derate_temp_limit_ch1	High level	286	irq_pcie30x2_err	High level
70	irq_ddrmon_ch1	High level	287	irq_pcie30x2_legacy	High level
71	irq_ddrctl_sbr_done_ch2	High level	288	irq_pcie30x2_msg_rx	High level
72	irq_ddrctl_arpoison_ch2	High level	289	irq_pcie30x2_pmc	High level
73	irq_ddrctl_awpoison_ch2	High level	290	irq_pcie30x2_sys	High level
74	irq_ddrctl_ecc_corrected_err_ch2	High level	291	irq_pcie30x4_err	High level
75	irq_ddrctl_ecc_uncorrected_err_ch2	High level	292	irq_pcie30x4_legacy	High level
76	irq_ddrctl_ecc_ap_err_ch2	High level	293	irq_pcie30x4_msg_rx	High level
77	irq_ddrctl_rd_linkecc_uncorr_err_ch2	High level	294	irq_pcie30x4_pmc	High level
78	irq_ddrctl_rd_linkecc_corr_err_ch2	High level	295	irq_pcie30x4_sys	High level
79	irq_ddrctl_derate_temp_limit_ch2	High level	296	irq_pcie30x1_0_pcie_dtim	High level
80	irq_ddrmon_ch2	High level	297	irq_pcie30x1_1_pcie_dtim	High level
81	irq_ddrctl_sbr_done_ch3	High level	298	irq_pcie30x1_2_pcie_dtim	High level
82	irq_ddrctl_arpoison_ch3	High level	299	irq_pcie30x2_pcie_dtim	High level
83	irq_ddrctl_awpoison_ch3	High level	300	irq_pcie30x4_pcie_dtim	High level
84	irq_ddrctl_ecc_corrected_err_ch3	High level	301	irq_pcie30x4_pcie_edma_rd0	High level
85	irq_ddrctl_ecc_uncorrected_err_ch3	High level	302	irq_pcie30x4_pcie_edma_rd1	High level
86	irq_ddrctl_ecc_ap_err_ch3	High level	303	irq_pcie30x4_pcie_edma_wr0	High level
87	irq_ddrctl_rd_linkecc_uncorr_err_ch3	High level	304	irq_pcie30x4_pcie_edma_wr1	High level
88	irq_ddrctl_rd_linkecc_corr_err_ch3	High level	305	irq_sata0	High level
89	irq_ddrctl_derate_temp_limit_ch3	High level	306	irq_sata1	High level
90	irq_ddrmon_ch3	High level	307	irq_sata2	High level
91	irq_ahb2apb	High level	308	irq_grf_sdmmc_detectn	High level
92	irq_dma2ddr	High level	309	irq_gpio0	High level
93	irq_mailbox0_ap0	High level	310	irq_gpio1	High level
94	irq_mailbox0_ap1	High level	311	irq_gpio2	High level
95	irq_mailbox0_ap2	High level	312	irq_gpio3	High level
96	irq_mailbox0_ap3	High level	313	irq_gpio4	High level
97	irq_mailbox0_bb0	High level	314	irq_gpio0_exp	High level
98	irq_mailbox0_bb1	High level	315	irq_gpio1_exp	High level
99	irq_mailbox0_bb2	High level	316	irq_gpio2_exp	High level
100	irq_mailbox0_bb3	High level	317	irq_gpio3_exp	High level
101	irq_mailbox1_ap0	High level	318	irq_gpio4_exp	High level
102	irq_mailbox1_ap1	High level	319	irq_pmutimer0	High level
103	irq_mailbox1_ap2	High level	320	irq_pmutimer1	High level
104	irq_mailbox1_ap3	High level	321	irq_timer0_ns	High level

Number	Source	Polarity	Number	Source	Polarity
105	irq_mailbox1_bb0	High level	322	irq_timer1_ns	High level
106	irq_mailbox1_bb1	High level	323	irq_timer2_ns	High level
107	irq_mailbox1_bb2	High level	324	irq_timer3_ns	High level
108	irq_mailbox1_bb3	High level	325	irq_timer4_ns	High level
109	irq_mailbox2_ap0	High level	326	irq_timer5_ns	High level
110	irq_mailbox2_ap1	High level	327	irq_timer6_ns	High level
111	irq_mailbox2_ap2	High level	328	irq_timer7_ns	High level
112	irq_mailbox2_ap3	High level	329	irq_timer8_ns	High level
113	irq_mailbox2_bb0	High level	330	irq_timer9_ns	High level
114	irq_mailbox2_bb1	High level	331	irq_timer10_ns	High level
115	irq_mailbox2_bb2	High level	332	irq_timer11_ns	High level
116	irq_mailbox2_bb3	High level	333	irq_stimer0	High level
117	irq_decom	High level	334	irq_stimer1	High level
118	irq_dmac0	High level	335	irq_stimer2	High level
119	irq_dmac0_abort	High level	336	irq_stimer3	High level
120	irq_dmac1	High level	337	irq_stimer4	High level
121	irq_dmac1_abort	High level	338	irq_stimer5	High level
122	irq_dmac2	High level	339	irq_stimer6	High level
123	irq_dmac2_abort	High level	340	irq_stimer7	High level
124	irq_gpu_job	High level	341	irq_stimer8	High level
125	irq_gpu_mmu	High level	342	irq_stimer9	High level
126	irq_gpu_gpu	High level	343	irq_stimer10	High level
127	irq_rkvdec0_dec	High level	344	irq_stimer11	High level
128	irq_rkvdec0_mmu	High level	345	irq_hptimer	High level
129	irq_rkvdec1_dec	High level	346	irq_pmuwdt	High level
130	irq_rkvdec1_mmu	High level	347	irq_wdtns	High level
131	irq_rkvenc0_mmu0	High level	348	irq_wdts	High level
132	irq_rkvenc0_mmu2	High level	349	irq_i2c0	High level
133	irq_rkvenc0	High level	350	irq_i2c1	High level
134	irq_rkvenc1_mmu0	High level	351	irq_i2c2	High level
135	irq_rkvenc1_mmu2	High level	352	irq_i2c3	High level
136	irq_rkvenc1	High level	353	irq_i2c4	High level
137	irq_rkvenc0 or irq_rkvenc1	High level	354	irq_i2c5	High level
138	irq_av1_afbc	High level	355	irq_i2c6	High level
139	irq_av1_l2cache	High level	356	irq_i2c7	High level
140	irq_av1_vcd	High level	357	irq_i2c8	High level
141	irq_av1_mmu	High level	358	irq_spi0	High level
142	irq_rknn_c0	High level	359	irq_spi1	High level
143	irq_rknn_c1	High level	360	irq_spi2	High level
144	irq_rknn_c2	High level	361	irq_spi3	High level
145	irq_vicap_mmu	High level	362	irq_spi4	High level
146	irq_rga3_0	High level	363	irq_uart0	High level
147	irq_rga3_1	High level	364	irq_uart1	High level
148	irq_rga2	High level	365	irq_uart2	High level

Number	Source	Polarity	Number	Source	Polarity
149	irq_iep	High level	366	irq_uart3	High level
150	irq_vdpu121_mmu	High level	367	irq_uart4	High level
151	irq_vdpu121_xintdec	High level	368	irq_uart5	High level
152	irq_vdpu121_xintenc	High level	369	irq_uart6	High level
153	irq_jpegenc0_mmu	High level	370	irq_uart7	High level
154	irq_jpegenc0_xintdec	High level	371	irq_uart8	High level
155	irq_jpegenc1_mmu	High level	372	irq_uart9	High level
156	irq_jpegenc1_xintdec	High level	373	irq_can0	High level
157	irq_jpegenc2_mmu	High level	374	irq_can1	High level
158	irq_jpegenc2_xintdec	High level	375	irq_can2	High level
159	irq_jpegenc3_mmu	High level	376	irq_pwm0	High level
160	irq_jpegenc3_xintdec	High level	377	irq_pwm0_pwr	High level
161	irq_jpegdec_dec	High level	378	irq_pwm1	High level
162	irq_jpegdec_mmu	High level	379	irq_pwm1_pwr	High level
163	irq_isp0	High level	380	irq_pwm2	High level
164	irq_isp0_mmu	High level	381	irq_pwm2_pwr	High level
165	irq_isp0_mi	High level	382	irq_pwm3	High level
166	irq_isp0_mipi	High level	383	irq_pwm3_pwr	High level
167	irq_isp1	High level	384	irq_pmu_pvtm	High level
168	irq_isp1_mmu	High level	385	irq_litcore_pvtm	High level
169	irq_isp1_mi	High level	386	irq_bigcore0_pvtm	High level
170	irq_isp1_mipi	High level	387	irq_bigcore1_pvtm	High level
171	irq_fec0	High level	388	irq_npu_pvtm	High level
172	irq_fec0_ispp_mmu1	High level	389	irq_gpu_pvtm	High level
173	irq_fec1	High level	390	irq_npumcu_cache	High level
174	irq_fec1_ispp_mmu1	High level	391	irq_pmumcu_cache	High level
175	irq_csihost0_1	High level	392	irq_hdmitx0_hpd	High level
176	irq_csihost0_2	High level	393	irq_hdmitx1_hpd	High level
177	irq_csihost1_1	High level	394	irq_pcie_mmu600_r2_tbu0_pmu_irpt	High level
178	irq_csihost1_2	High level	395	irq_pcie_mmu600_r2_tbu0_ras_irpt	High level
179	irq_csihost2_1	High level	396	irq_pcie_mmu600_r2_tbu1_pmu_irpt	High level
180	irq_csihost2_2	High level	397	irq_pcie_mmu600_r2_tbu1_ras_irpt	High level
181	irq_csihost3_1	High level	398	irq_pcie_mmu600_r2_tcu_evento	High level
182	irq_csihost3_2	High level	399	irq_pcie_mmu600_r2_tcu_cmd_sync_irpt_ns	High level
183	irq_csihost4_1	High level	400	irq_pcie_mmu600_r2_tcu_cmd_sync_irpt_s	High level
184	irq_csihost4_2	High level	401	irq_pcie_mmu600_r2_tcu_event_q_irpt_ns	High level



Number	Source	Polarity	Number	Source	Polarity
185	irq_csihost5_1	High level	402	irq_pcie_mmu600_r2_tcu_event_q_irpt_s	High level
186	irq_csihost5_2	High level	403	irq_pcie_mmu600_r2_tcu_global_irpt_ns	High level
187	irq_vicap	High level	404	irq_pcie_mmu600_r2_tcu_global_irpt_s	High level
188	irq_vop	High level	405	irq_pcie_mmu600_r2_tcu_pmu_irpt	High level
189	irq_vop_ddr	High level	406	irq_pcie_mmu600_r2_tcu_pri_q_irpt_ns	High level
190	irq_vop_lb	High level	407	irq_pcie_mmu600_r2_tcu_ras_irpt	High level
191	irq_hdcp0	High level	408	irq_php_mmu600_r2_tbu0_pmu_irpt	High level
192	irq_hdcp1	High level	409	irq_php_mmu600_r2_tbu0_ras_irpt	High level
193	irq_dp0	High level	410	irq_php_mmu600_r2_tcu_evento	High level
194	irq_dp1	High level	411	irq_php_mmu600_r2_tcu_cmd_syn_c_irpt_ns	High level
195	irq_edp0	High level	412	irq_php_mmu600_r2_tcu_cmd_syn_c_irpt_s	High level
196	irq_edp1	High level	413	irq_php_mmu600_r2_tcu_event_q_irpt_ns	High level
197	irq_vo_trng0	High level	414	irq_php_mmu600_r2_tcu_event_q_irpt_s	High level
198	irq_vo_trng1	High level	415	irq_php_mmu600_r2_tcu_global_irpt_ns	High level
199	irq_dsihost0	High level	416	irq_php_mmu600_r2_tcu_global_irpt_s	High level
200	irq_dsihost1	High level	417	irq_php_mmu600_r2_tcu_pmu_irpt	High level
201	irq_hdmitx0_oavp	High level	418	irq_php_mmu600_r2_tcu_pri_q_irpt_ns	High level
202	irq_hdmitx0_ocec	High level	419	irq_php_mmu600_r2_tcu_ras_irpt	High level
203	irq_hdmitx0_oearcrx	High level	420	irq_gic_fault	High level
204	irq_hdmitx0_omain	High level	421	irq_gic_err	High level
205	irq_hdmitx1_oavp	High level	422	irq_gic_pmu	High level
206	irq_hdmitx1_ocec	High level	423	irq_usb2host0phy_grf	High level
207	irq_hdmitx1_oearcrx	High level	424	irq_usb2host1phy_grf	High level
208	irq_hdmitx1_omain	High level	425	irq_otg0phy_grf	High level
209	irq_hdmirx_cec	High level	426	irq_otg1phy_grf	High level
210	irq_hdmirx_hdmi	High level	427	irq_otg2_lfps_beacon	High level
211	irq_hdmirx_dma	High level	428	irq_pmic	High level
212	irq_i2s0_8ch	High level	429	irq_tsadc	High level
213	irq_i2s1_8ch	High level	430	irq_saradc	High level
214	irq_i2s2_2ch	High level	431	irq_trng_s	High level
215	irq_i2s3_2ch	High level	432	irq_trng_ns	High level

Number	Source	Polarity	Number	Source	Polarity
216	irq_i2s4_8ch	High level	433	irq_wdt_ddr	High level
217	irq_i2s5_8ch	High level	434	irq_timer0_ddr	High level
218	irq_i2s6_8ch	High level	435	irq_timer1_ddr	High level
219	irq_i2s7_8ch	High level	436	irq_timer0_npu	High level
220	irq_i2s8_8ch	High level	437	irq_timer1_npu	High level
221	irq_i2s9_8ch	High level	438	irq_wdt_npu	High level
222	irq_i2s10_8ch	High level	439	irq_dsu_probe0_mainstatalarm	High level
223	irq_pdm0	High level	440	irq_dsu_probe1_mainstatalarm	High level
224	irq_pdm1	High level	441	irq_dsu_probe2_mainstatalarm	High level
225	irq_spdiftx0	High level	442	irq_dsu_probe3_mainstatalarm	High level
226	irq_spdiftx1	High level	443	irq_center_probep0n0_mainstatalarm	High level
227	irq_spdiftx2	High level	444	irq_center_probep0n1_mainstatalarm	High level
228	irq_spdiftx3	High level	445	irq_center_probep1n0_mainstatalarm	High level
229	irq_spdiftx4	High level	446	irq_center_probep1n1_mainstatalarm	High level
230	irq_spdif5	High level	447	irq_center_probep2n0_mainstatalarm	High level
231	irq_spdifrx0	High level	448	irq_center_probep2n1_mainstatalarm	High level
232	irq_spdifrx1	High level	449	irq_center_probep3n0_mainstatalarm	High level
233	irq_spdifrx2	High level	450	irq_center_probep3n1_mainstatalarm	High level
234	irq_vad	High level	451	irq_sgrf_crc_chk_rst_req	High level
235	irq_sdmmc	High level	452	irq_dsusgrf_crc_chk_rst_req	High level
236	irq_sdio	High level	453	irq_pmusgrf_crc_chk_rst_req	High level
237	irq_emmc	High level	454~511	Reserved	High level

## 1.4 System DMA Hardware Request Connection

RK3588 provides three DMA controller (DMAC) inside the system, the following tables are the DMA hardware request list.

Table 1-4 RK3588 DMAC Hardware Request Connection List

DMAC0			DMAC1			DMAC2		
Req Number	Source	Polarity	Req Number	Source	Polarity	Req Number	Source	Polarity
0	I2S0_8ch_tx	High level	0	I2S2_2ch_tx	High level	0	I2S4_8ch_tx	High level
1	I2S0_8ch_rx	High level	1	I2S2_2ch_rx	High level	1	Reserved	High level
2	I2S1_8ch_tx	High level	2	I2S3_2ch_tx	High level	2	I2S5_8ch_tx	High level
3	I2S1_8ch_rx	High level	3	I2S3_2ch_rx	High level	3	Reserved	High level
4	PDM0	High level	4	PDM1	High level	4	I2S6_8ch_tx	High level
5	SPDIF_tx0	High level	5	SPDIF_tx1	High level	5	Reserved	High level

DMAC0			DMAC1			DMAC2		
Req Number	Source	Polarity	Req Number	Source	Polarity	Req Number	Source	Polarity
6	UART0_tx	High level	6	SPDIF_tx2	High level	6	Reserved	High level
7	UART0_rx	High level	7	SPDIF_tx3	High level	7	UART7_tx	High level
8	UART1_tx	High level	8	SPDIF_tx4	High level	8	UART7_rx	High level
9	UART1_rx	High level	9	UART4_tx	High level	9	UART8_tx	High level
10	UART2_tx	High level	10	UART4_rx	High level	10	UART8_rx	High level
11	UART2_rx	High level	11	UART5_tx	High level	11	UART9_tx	High level
12	UART3_tx	High level	12	UART5_rx	High level	12	UART9_rx	High level
13	UART3_rx	High level	13	UART6_tx	High level	13	SPI4_tx	High level
14	SPI0_tx	High level	14	UART6_rx	High level	14	SPI4_rx	High level
15	SPI0_rx	High level	15	SPI2_tx	High level	15	PWM2	High level
16	SPI1_tx	High level	16	SPI2_rx	High level	16	PWM3	High level
17	SPI1_rx	High level	17	SPI3_tx	High level	17	CAN2_tx	High level
18	PWM0	High level	18	SPI3_rx	High level	18	CAN2_rx	High level
19	CAN0_tx	High level	19	PWM1	High level	19	sdmmc_buffer	High level
20	CAN0_rx	High level	20	CAN1_tx	High level	20	Reserved	High level
21	SPDIF_rx0	High level	21	CAN1_rx	High level	21	I2S7_8ch_rx	High level
22	SPDIF_rx1	High level	22	SPDIF_tx5	High level	22	I2S8_8ch_tx	High level
23	SPDIF_rx2	High level	23	Reserved	High level	23	I2S9_8ch_rx	High level
24	Reserved	High level	24	Reserved	High level	24	I2S10_8ch_rx	High level

## Chapter 2 CRU

### 2.1 Overview

The CRU is an APB slave module that is designed for generating all of the internal and system clocks, resets in the chip. CRU generates system clocks from PLL output clock or external clock source, and generates system reset from external power-on-reset, watchdog timer reset or software reset or temperature sensor.

The CRU is located at several addresses.

	Description	Base Address
CRU	Used for always on system.	0xFD7C0000
PHPTOPCRU	Used for php system.	0xFD7C8000
SECURECRU	Used for secure system.	0xFD7D0000
SBUSCRU	Used for secure bus system.	0xFD7D8000
PMU1SCRU	Used for secure pmu system.	0xFD7E0000
PMU1CRU	Used for pmu system.	0xFD7F0000
DDR0CRU	Used for DDR0 phy.	0xFD800000
DDR1CRU	Used for DDR1 phy.	0xFD804000
DDR2CRU	Used for DDR2 phy.	0xFD808000
DDR3CRU	Used for DDR3 phy.	0xFD80C000
BIGCORE0CRU	Used for pd bigcore0 system.	0xFD810000
BIGCORE1CRU	Used for pd bigcore1 system.	0xFD812000
DSUCRU	Used for pd dsu system.	0xFD818000

The CRU supports the following features:

- Compliance with AMBA APB interface
- Embedded with 5 fractional PLLs, 5 integer PLLs and 8 DDRPLLs in different CRUs
- Flexible selection of clock source
- Support dividing clock separately
- Support gating clock separately
- Support software reset each module separately

PLL TYPE PD	FRACPLL	DDRPLL	INTPLL
CRU	V0PLL,AUPLL,CPLL,GPLL		NPLL
BIGCORE0CRU			B0PLL
BIGCORE1CRU			B1PLL
DSUCRU			LPLL
SBUSCRU			SPLL
DDR0CRU		D0APLL,D0BPLL	
DDR1CRU		D1APLL,D1BPLL	
DDR2CRU		D2APLL,D2BPLL	
DDR3CRU		D3APLL,D3BPLL	
PHPTOPCRU	PPLL		

### 2.2 Block Diagram

The CRU comprises with:

- PLL
- Register configuration unit

- Clock generate unit
- Reset generate unit

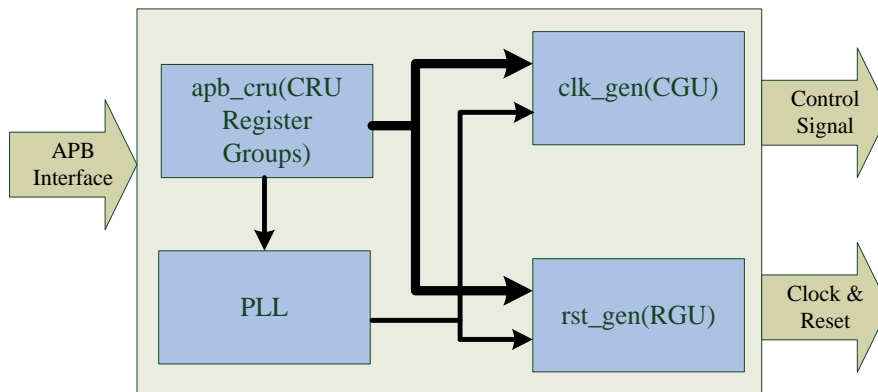


Fig. 2-1 CRU Block Diagram

## 2.3 Function Description

### 2.3.1 System Clock Solution

All R3588 PLLs receive 24MHz oscillator as input reference clock.

NPLL/GPLL/V0PLL/AUPLL/CPLL/SPLL can be set to three work modes: normal mode, slow mode and deep slow mode. When power on or changing PLL setting, we must program PLL into slow mode or deep slow mode.

To maximize the flexibility, some of clocks can select divider source from multiple PLLs. To provide some specific frequency, another solution is integrated: fractional divider. Divfree50 divider and divfree NP5 divider are also provided for some modules. All clocks can be gated by software.

The basic units for clock generation are:

- Gating
- MUX(multiplexer)
- Divfree(Glitch free divider)
  - $clk\_out\_freq = clk\_in\_freq / divisor$
  - When divisor is even, the clock duty cycle of  $clk\_out$  is 50%
  - When divisor is odd, the clock duty cycle of  $clk\_out$  is not 50%
- Fracdiv(Fractional divider)
  - $clk\_out\_freq = clk\_in\_freq * numerator / denominator$ , both numerator and denominator are 16 bits
- Divfree50(Glitch free divider for duty cycle 50%)
  - $clk\_out\_freq = clk\_in\_freq / divisor$
  - When divisor is even or odd, the clock duty cycle of  $clk\_out$  is 50%
- DivFreeNP5(Glitch free divider for null point 5)
  - $clk\_out\_freq = 2 * clk\_in\_freq / (2 * div\_con + 3)$
  - The clock duty cycle of  $clk\_out$  is not 50%

The settings of all basic units are controlled by CRU registers.

### 2.3.2 System Reset Solution

Almost all module have these reset source as the following figure shows. The 'xxx' in the figure is the module name.

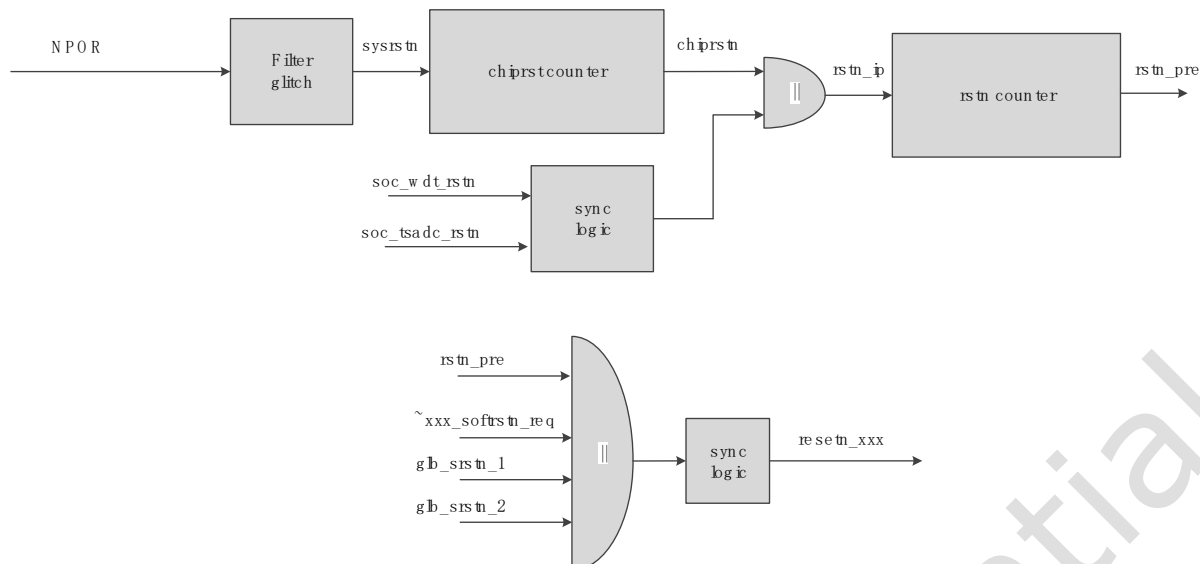


Fig. 2-2 Reset Architecture Diagram

Reset source of each reset signal includes:

- NPOR: External power on reset
- soc\_wdt\_rstn: Reset from WDT module
- soc\_tsadc\_rstn: Reset from TSADC module
- softrstn\_req: Software reset request by programming CRU\_SOFTRST\_CON
- glb\_rstn\_1: First global software reset by programming CRU\_GLB\_SRST\_FST as 0xfdb9
- glb\_rstn\_2: Second global software reset by programming CRU\_GLB\_SRST\_SND as 0xecac8

### 2.3.3 PLL Introduction

PLL is a 1.8V/0.75V dual supply-voltage phase locked loop (PLL) with a wide-output-frequency-range for frequency synthesis.

Parameter	FRACPLL		DDRPLL		INTPLL	
	MIN	MAX	MIN	MAX	MIN	MAX
Fin	4.5	300	6	300	4.5	300
p	1	63	1	63	1	63
m	64	1023	64	1023	64	1023
s	0	6	0	6	0	6
Fref(MHz)=Fin/p	6	30	6	30	4.5	12
Fvco(MHz)=(m*Fref)/p	2250	4500	3300	6600	2250	4500
Fout(MHz)	35.2	4500	51.6	6600	35.2	4500
Duty cycle	48~52%		45~55%		47~53%	
Input Period Jitter	±200ps		±200ps		±200ps	
PLL Period Jitter(Tjp)	Fvco<3G:±2% of Tfvc0		Fvco<3G:±2% of Tfvc0		Fvco<3G:±1.5% of Tfvc0	
	Fvco>3G:±1% of Tfvc0		Fvco>3G:±1% of Tfvc0		Fvco>3G:±0.75% of Tfvc0	
Lock Time(Fin/p cycles)	-	500	-	500	-	150
Modulation Method	up/down/center		up/down/center		-	

#### 2.3.3.1 FRACPLL Introduction

FRACPLL block diagram is shown below.

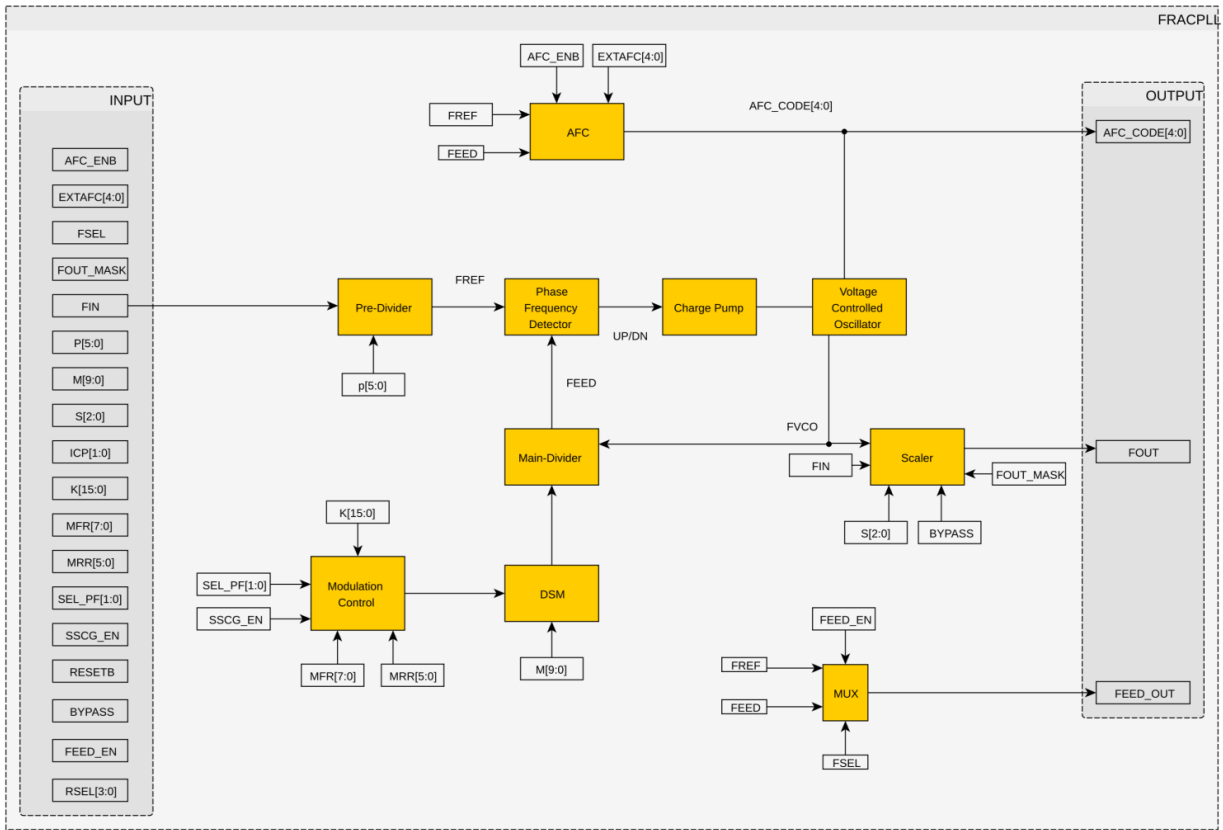


Fig. 2-3 FRACPLL Block Diagram

### 2.3.3.2 INTPLL Introduction

INTPLL block diagram is shown below.

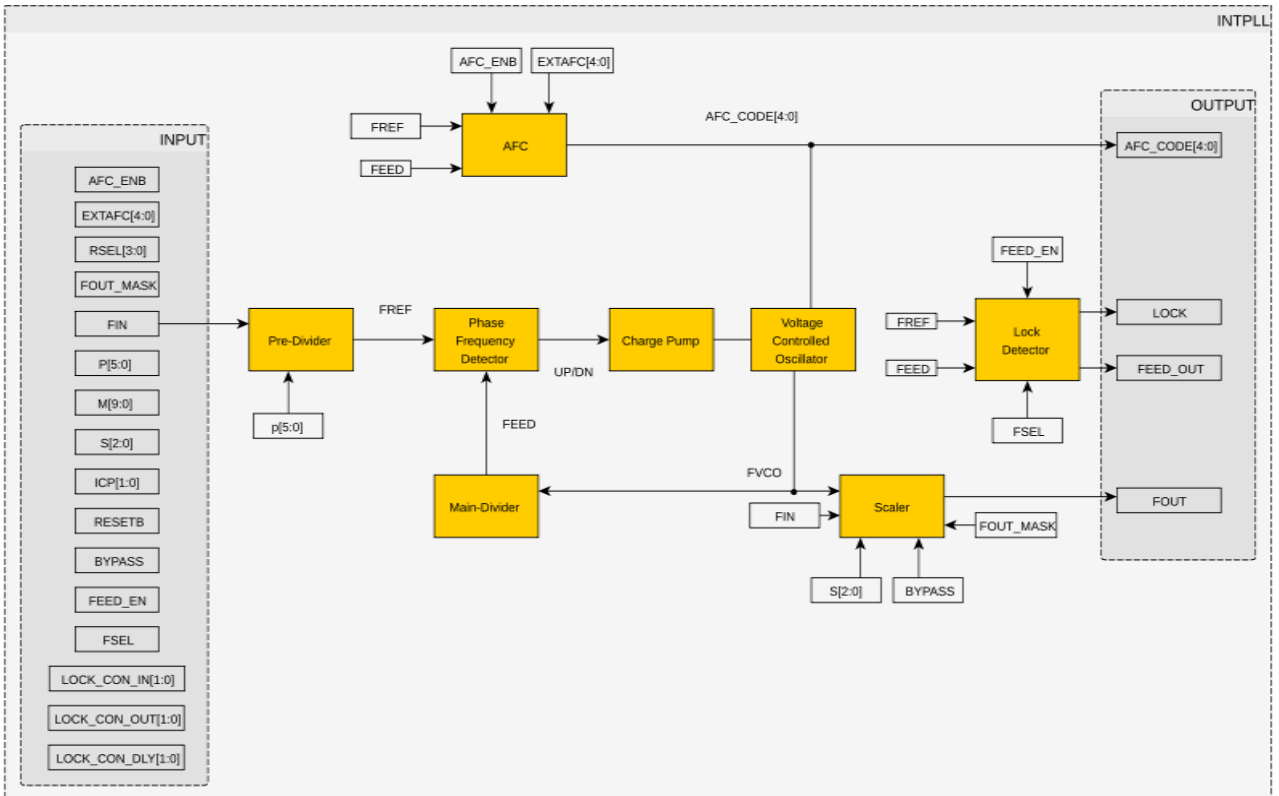


Fig. 2-4 INTPLL Block Diagram

### 2.3.3.3 DDRPLL Introduction

DDRPLL block diagram is shown below.

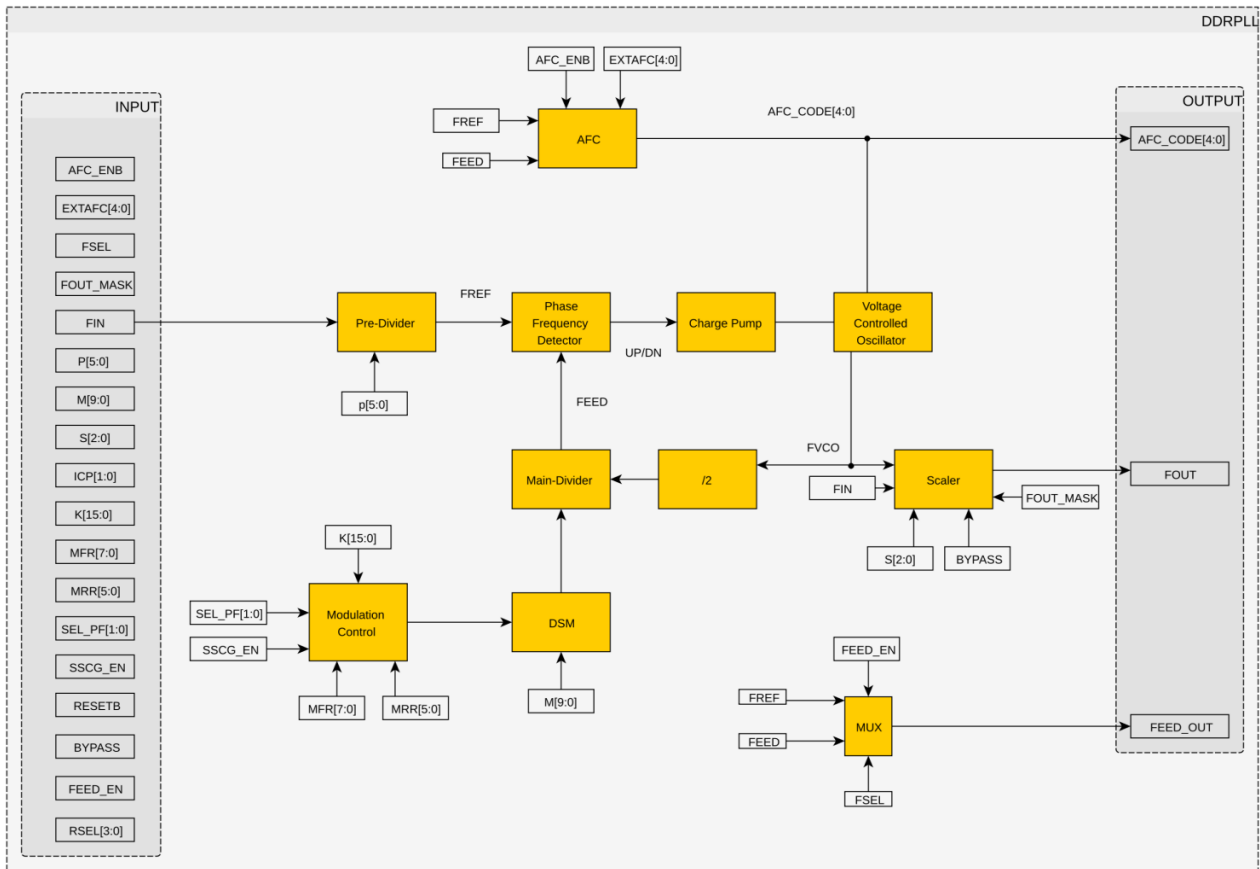


Fig. 2-5 DDRPLL Block Diagram

## 2.4 CRU Register Description

There are 2 groups of DDR, named ddr01 or ddr\*\_ch01(including DDR CH0 and DDR CH1), ddr23 or ddr\*\_ch23(including DDR CH2 and DDR CH3).

### 2.4.1 Registers Summary

Name	Offset	Size	Reset Value	Description
CRU_V0PLL_CON0	0x0160	W	0x00000000	V0PLL configuration register 0
CRU_V0PLL_CON1	0x0164	W	0x00000000	V0PLL configuration register 1
CRU_V0PLL_CON2	0x0168	W	0x00000000	V0PLL configuration register 2
CRU_V0PLL_CON3	0x016C	W	0x00000000	V0PLL configuration register 3
CRU_V0PLL_CON4	0x0170	W	0x00000000	V0PLL configuration register 4
CRU_V0PLL_CON5	0x0174	W	0x00000000	V0PLL configuration register 5
CRU_V0PLL_CON6	0x0178	W	0x00000000	V0PLL configuration register 6
CRU_AUPLL_CON0	0x0180	W	0x00000000	AUPLL configuration register 0
CRU_AUPLL_CON1	0x0184	W	0x00000000	AUPLL configuration register 1
CRU_AUPLL_CON2	0x0188	W	0x00000000	AUPLL configuration register 2
CRU_AUPLL_CON3	0x018C	W	0x00000000	AUPLL configuration register 3
CRU_AUPLL_CON4	0x0190	W	0x00000000	AUPLL configuration register 4
CRU_AUPLL_CON5	0x0194	W	0x00000000	AUPLL configuration register 5
CRU_AUPLL_CON6	0x0198	W	0x00000000	AUPLL configuration register 6
CRU_CPLL_CON0	0x01A0	W	0x00000000	CPLL configuration register 0
CRU_CPLL_CON1	0x01A4	W	0x00000000	CPLL configuration register 1
CRU_CPLL_CON2	0x01A8	W	0x00000000	CPLL configuration register 2



<b>Name</b>	<b>Offset</b>	<b>Size</b>	<b>Reset Value</b>	<b>Description</b>
<u>CRU_CPLL_CON3</u>	0x01AC	W	0x00000000	CPLL configuration register 3
<u>CRU_CPLL_CON4</u>	0x01B0	W	0x00000000	CPLL configuration register 4
<u>CRU_CPLL_CON5</u>	0x01B4	W	0x00000000	CPLL configuration register 5
<u>CRU_CPLL_CON6</u>	0x01B8	W	0x00000000	CPLL configuration register 6
<u>CRU_GPLL_CON0</u>	0x01C0	W	0x00000000	GPLL configuration register 0
<u>CRU_GPLL_CON1</u>	0x01C4	W	0x00000000	GPLL configuration register 1
<u>CRU_GPLL_CON2</u>	0x01C8	W	0x00000000	GPLL configuration register 2
<u>CRU_GPLL_CON3</u>	0x01CC	W	0x00000000	GPLL configuration register 3
<u>CRU_GPLL_CON4</u>	0x01D0	W	0x00000000	GPLL configuration register 4
<u>CRU_GPLL_CON5</u>	0x01D4	W	0x00000000	GPLL configuration register 5
<u>CRU_GPLL_CON6</u>	0x01D8	W	0x00000000	GPLL configuration register 6
<u>CRU_NPLL_CON0</u>	0x01E0	W	0x00000000	NPLL configuration register 0
<u>CRU_NPLL_CON1</u>	0x01E4	W	0x00000000	NPLL configuration register 1
<u>CRU_NPLL_CON4</u>	0x01F0	W	0x00000002	NPLL configuration register 4
<u>CRU_NPLL_CON5</u>	0x01F4	W	0x000007E0	NPLL configuration register 5
<u>CRU_NPLL_CON6</u>	0x01F8	W	0x00000000	NPLL configuration register 6
<u>CRU_MODE_CON00</u>	0x0280	W	0x00000000	Internal PLL mode select register 0
<u>CRU_CLKSEL_CON00</u>	0x0300	W	0x00000BBD	Internal clock select and division register 0
<u>CRU_CLKSEL_CON01</u>	0x0304	W	0x00000169	Internal clock select and division register 1
<u>CRU_CLKSEL_CON02</u>	0x0308	W	0x00000925	Internal clock select and division register 2
<u>CRU_CLKSEL_CON03</u>	0x030C	W	0x000000A1	Internal clock select and division register 3
<u>CRU_CLKSEL_CON04</u>	0x0310	W	0x00000881	Internal clock select and division register 4
<u>CRU_CLKSEL_CON05</u>	0x0314	W	0x00000881	Internal clock select and division register 5
<u>CRU_CLKSEL_CON06</u>	0x0318	W	0x00000820	Internal clock select and division register 6
<u>CRU_CLKSEL_CON07</u>	0x031C	W	0x00000020	Internal clock select and division register 7
<u>CRU_CLKSEL_CON08</u>	0x0320	W	0x00000421	Internal clock select and division register 8
<u>CRU_CLKSEL_CON09</u>	0x0324	W	0x00000000	Internal clock select and division register 9
<u>CRU_CLKSEL_CON10</u>	0x0328	W	0x000030FF	Internal clock select and division register 10
<u>CRU_CLKSEL_CON15</u>	0x033C	W	0x0000BB9D	Internal clock select and division register 15
<u>CRU_CLKSEL_CON16</u>	0x0340	W	0x000000BB	Internal clock select and division register 16
<u>CRU_CLKSEL_CON17</u>	0x0344	W	0x00000200	Internal clock select and division register 17
<u>CRU_CLKSEL_CON18</u>	0x0348	W	0x00000000	Internal clock select and division register 18
<u>CRU_CLKSEL_CON19</u>	0x034C	W	0x00000000	Internal clock select and division register 19
<u>CRU_CLKSEL_CON20</u>	0x0350	W	0x00000000	Internal clock select and division register 20

<b>Name</b>	<b>Offset</b>	<b>Size</b>	<b>Reset Value</b>	<b>Description</b>
<u>CRU_CLKSEL_CON21</u>	0x0354	W	0x00000000	Internal clock select and division register 21
<u>CRU_CLKSEL_CON22</u>	0x0358	W	0x00000000	Internal clock select and division register 22
<u>CRU_CLKSEL_CON24</u>	0x0360	W	0x00000010	Internal clock select and division register 24
<u>CRU_CLKSEL_CON25</u>	0x0364	W	0x03355460	Internal clock select and division register 25
<u>CRU_CLKSEL_CON26</u>	0x0368	W	0x00000007	Internal clock select and division register 26
<u>CRU_CLKSEL_CON27</u>	0x036C	W	0x03355460	Internal clock select and division register 27
<u>CRU_CLKSEL_CON28</u>	0x0370	W	0x0000001B	Internal clock select and division register 28
<u>CRU_CLKSEL_CON29</u>	0x0374	W	0x03355460	Internal clock select and division register 29
<u>CRU_CLKSEL_CON30</u>	0x0378	W	0x0000000F	Internal clock select and division register 30
<u>CRU_CLKSEL_CON31</u>	0x037C	W	0x03355460	Internal clock select and division register 31
<u>CRU_CLKSEL_CON32</u>	0x0380	W	0x0000000F	Internal clock select and division register 32
<u>CRU_CLKSEL_CON33</u>	0x0384	W	0x03355460	Internal clock select and division register 33
<u>CRU_CLKSEL_CON34</u>	0x0388	W	0x00000006	Internal clock select and division register 34
<u>CRU_CLKSEL_CON35</u>	0x038C	W	0x03355460	Internal clock select and division register 35
<u>CRU_CLKSEL_CON36</u>	0x0390	W	0x00000092	Internal clock select and division register 36
<u>CRU_CLKSEL_CON38</u>	0x0398	W	0x00000023	Internal clock select and division register 38
<u>CRU_CLKSEL_CON39</u>	0x039C	W	0x000002CB	Internal clock select and division register 39
<u>CRU_CLKSEL_CON40</u>	0x03A0	W	0x00000ECB	Internal clock select and division register 40
<u>CRU_CLKSEL_CON41</u>	0x03A4	W	0x0000030B	Internal clock select and division register 41
<u>CRU_CLKSEL_CON42</u>	0x03A8	W	0x001403DE	Internal clock select and division register 42
<u>CRU_CLKSEL_CON43</u>	0x03AC	W	0x00000006	Internal clock select and division register 43
<u>CRU_CLKSEL_CON44</u>	0x03B0	W	0x001403DE	Internal clock select and division register 44
<u>CRU_CLKSEL_CON45</u>	0x03B4	W	0x00000006	Internal clock select and division register 45
<u>CRU_CLKSEL_CON46</u>	0x03B8	W	0x001403DE	Internal clock select and division register 46
<u>CRU_CLKSEL_CON47</u>	0x03BC	W	0x00000006	Internal clock select and division register 47
<u>CRU_CLKSEL_CON48</u>	0x03C0	W	0x001403DE	Internal clock select and division register 48

<b>Name</b>	<b>Offset</b>	<b>Size</b>	<b>Reset Value</b>	<b>Description</b>
<u>CRU_CLKSEL_CON49</u>	0x03C4	W	0x00000006	Internal clock select and division register 49
<u>CRU_CLKSEL_CON50</u>	0x03C8	W	0x001403DE	Internal clock select and division register 50
<u>CRU_CLKSEL_CON51</u>	0x03CC	W	0x00000006	Internal clock select and division register 51
<u>CRU_CLKSEL_CON52</u>	0x03D0	W	0x001403DE	Internal clock select and division register 52
<u>CRU_CLKSEL_CON53</u>	0x03D4	W	0x00000006	Internal clock select and division register 53
<u>CRU_CLKSEL_CON54</u>	0x03D8	W	0x001403DE	Internal clock select and division register 54
<u>CRU_CLKSEL_CON55</u>	0x03DC	W	0x00000006	Internal clock select and division register 55
<u>CRU_CLKSEL_CON56</u>	0x03E0	W	0x001403DE	Internal clock select and division register 56
<u>CRU_CLKSEL_CON57</u>	0x03E4	W	0x00000006	Internal clock select and division register 57
<u>CRU_CLKSEL_CON58</u>	0x03E8	W	0x001403DE	Internal clock select and division register 58
<u>CRU_CLKSEL_CON59</u>	0x03EC	W	0x0000A002	Internal clock select and division register 59
<u>CRU_CLKSEL_CON60</u>	0x03F0	W	0x0000020A	Internal clock select and division register 60
<u>CRU_CLKSEL_CON61</u>	0x03F4	W	0x00000041	Internal clock select and division register 61
<u>CRU_CLKSEL_CON62</u>	0x03F8	W	0x000003E1	Internal clock select and division register 62
<u>CRU_CLKSEL_CON63</u>	0x03FC	W	0x0000003F	Internal clock select and division register 63
<u>CRU_CLKSEL_CON65</u>	0x0404	W	0x0000003F	Internal clock select and division register 65
<u>CRU_CLKSEL_CON67</u>	0x040C	W	0x0000C021	Internal clock select and division register 67
<u>CRU_CLKSEL_CON73</u>	0x0424	W	0x00007C84	Internal clock select and division register 73
<u>CRU_CLKSEL_CON74</u>	0x0428	W	0x00001010	Internal clock select and division register 74
<u>CRU_CLKSEL_CON77</u>	0x0434	W	0x00000590	Internal clock select and division register 77
<u>CRU_CLKSEL_CON78</u>	0x0438	W	0x00000164	Internal clock select and division register 78
<u>CRU_CLKSEL_CON80</u>	0x0440	W	0x00000288	Internal clock select and division register 80
<u>CRU_CLKSEL_CON81</u>	0x0444	W	0x0000070E	Internal clock select and division register 81
<u>CRU_CLKSEL_CON82</u>	0x0448	W	0x00009D9D	Internal clock select and division register 82
<u>CRU_CLKSEL_CON83</u>	0x044C	W	0x00008B9D	Internal clock select and division register 83
<u>CRU_CLKSEL_CON84</u>	0x0450	W	0x0000049D	Internal clock select and division register 84

<b>Name</b>	<b>Offset</b>	<b>Size</b>	<b>Reset Value</b>	<b>Description</b>
<u>CRU_CLKSEL_CON85</u>	0x0454	W	0x00000000	Internal clock select and division register 85
<u>CRU_CLKSEL_CON89</u>	0x0464	W	0x00008100	Internal clock select and division register 89
<u>CRU_CLKSEL_CON90</u>	0x0468	W	0x00001801	Internal clock select and division register 90
<u>CRU_CLKSEL_CON91</u>	0x046C	W	0x00000001	Internal clock select and division register 91
<u>CRU_CLKSEL_CON93</u>	0x0474	W	0x00000300	Internal clock select and division register 93
<u>CRU_CLKSEL_CON94</u>	0x0478	W	0x000000E0	Internal clock select and division register 94
<u>CRU_CLKSEL_CON96</u>	0x0480	W	0x00000024	Internal clock select and division register 96
<u>CRU_CLKSEL_CON98</u>	0x0488	W	0x00000021	Internal clock select and division register 98
<u>CRU_CLKSEL_CON99</u>	0x048C	W	0x00000160	Internal clock select and division register 99
<u>CRU_CLKSEL_CON100</u>	0x0490	W	0x00002121	Internal clock select and division register 100
<u>CRU_CLKSEL_CON102</u>	0x0498	W	0x00008088	Internal clock select and division register 102
<u>CRU_CLKSEL_CON104</u>	0x04A0	W	0x00008088	Internal clock select and division register 104
<u>CRU_CLKSEL_CON106</u>	0x04A8	W	0x00000021	Internal clock select and division register 106
<u>CRU_CLKSEL_CON107</u>	0x04AC	W	0x00001801	Internal clock select and division register 107
<u>CRU_CLKSEL_CON108</u>	0x04B0	W	0x00003060	Internal clock select and division register 108
<u>CRU_CLKSEL_CON110</u>	0x04B8	W	0x00000040	Internal clock select and division register 110
<u>CRU_CLKSEL_CON111</u>	0x04BC	W	0x00000201	Internal clock select and division register 111
<u>CRU_CLKSEL_CON112</u>	0x04C0	W	0x00000001	Internal clock select and division register 112
<u>CRU_CLKSEL_CON113</u>	0x04C4	W	0x00000005	Internal clock select and division register 113
<u>CRU_CLKSEL_CON114</u>	0x04C8	W	0x00000181	Internal clock select and division register 114
<u>CRU_CLKSEL_CON115</u>	0x04CC	W	0x00000181	Internal clock select and division register 115
<u>CRU_CLKSEL_CON116</u>	0x04D0	W	0x00000002	Internal clock select and division register 116
<u>CRU_CLKSEL_CON117</u>	0x04D4	W	0x00009393	Internal clock select and division register 117
<u>CRU_CLKSEL_CON118</u>	0x04D8	W	0x0000002B	Internal clock select and division register 118
<u>CRU_CLKSEL_CON119</u>	0x04DC	W	0x03355460	Internal clock select and division register 119
<u>CRU_CLKSEL_CON120</u>	0x04E0	W	0x0000015B	Internal clock select and division register 120

<b>Name</b>	<b>Offset</b>	<b>Size</b>	<b>Reset Value</b>	<b>Description</b>
<u>CRU_CLKSEL_CON121</u>	0x04E4	W	0x03355460	Internal clock select and division register 121
<u>CRU_CLKSEL_CON122</u>	0x04E8	W	0x0000010B	Internal clock select and division register 122
<u>CRU_CLKSEL_CON123</u>	0x04EC	W	0x03355460	Internal clock select and division register 123
<u>CRU_CLKSEL_CON124</u>	0x04F0	W	0x00000084	Internal clock select and division register 124
<u>CRU_CLKSEL_CON125</u>	0x04F4	W	0x03355460	Internal clock select and division register 125
<u>CRU_CLKSEL_CON126</u>	0x04F8	W	0x00000000	Internal clock select and division register 126
<u>CRU_CLKSEL_CON128</u>	0x0500	W	0x00001140	Internal clock select and division register 128
<u>CRU_CLKSEL_CON129</u>	0x0504	W	0x00000140	Internal clock select and division register 129
<u>CRU_CLKSEL_CON130</u>	0x0508	W	0x03355460	Internal clock select and division register 130
<u>CRU_CLKSEL_CON131</u>	0x050C	W	0x00000003	Internal clock select and division register 131
<u>CRU_CLKSEL_CON133</u>	0x0514	W	0x0000005C	Internal clock select and division register 133
<u>CRU_CLKSEL_CON136</u>	0x0520	W	0x0000005C	Internal clock select and division register 136
<u>CRU_CLKSEL_CON138</u>	0x0528	W	0x00000003	Internal clock select and division register 138
<u>CRU_CLKSEL_CON139</u>	0x052C	W	0x03355460	Internal clock select and division register 139
<u>CRU_CLKSEL_CON140</u>	0x0530	W	0x000000A0	Internal clock select and division register 140
<u>CRU_CLKSEL_CON141</u>	0x0534	W	0x03355460	Internal clock select and division register 141
<u>CRU_CLKSEL_CON142</u>	0x0538	W	0x00000003	Internal clock select and division register 142
<u>CRU_CLKSEL_CON144</u>	0x0540	W	0x00000028	Internal clock select and division register 144
<u>CRU_CLKSEL_CON145</u>	0x0544	W	0x03355460	Internal clock select and division register 145
<u>CRU_CLKSEL_CON146</u>	0x0548	W	0x00000017	Internal clock select and division register 146
<u>CRU_CLKSEL_CON147</u>	0x054C	W	0x03355460	Internal clock select and division register 147
<u>CRU_CLKSEL_CON148</u>	0x0550	W	0x0000005B	Internal clock select and division register 148
<u>CRU_CLKSEL_CON149</u>	0x0554	W	0x03355460	Internal clock select and division register 149
<u>CRU_CLKSEL_CON150</u>	0x0558	W	0x00000014	Internal clock select and division register 150
<u>CRU_CLKSEL_CON151</u>	0x055C	W	0x03355460	Internal clock select and division register 151
<u>CRU_CLKSEL_CON152</u>	0x0560	W	0x00004488	Internal clock select and division register 152

<b>Name</b>	<b>Offset</b>	<b>Size</b>	<b>Reset Value</b>	<b>Description</b>
<u>CRU_CLKSEL_CON153</u>	0x0564	W	0x000002A2	Internal clock select and division register 153
<u>CRU_CLKSEL_CON154</u>	0x0568	W	0x03355460	Internal clock select and division register 154
<u>CRU_CLKSEL_CON155</u>	0x056C	W	0x0000002B	Internal clock select and division register 155
<u>CRU_CLKSEL_CON156</u>	0x0570	W	0x03355460	Internal clock select and division register 156
<u>CRU_CLKSEL_CON157</u>	0x0574	W	0x0000008B	Internal clock select and division register 157
<u>CRU_CLKSEL_CON158</u>	0x0578	W	0x00001F80	Internal clock select and division register 158
<u>CRU_CLKSEL_CON159</u>	0x057C	W	0x00000000	Internal clock select and division register 159
<u>CRU_CLKSEL_CON160</u>	0x0580	W	0x00000000	Internal clock select and division register 160
<u>CRU_CLKSEL_CON161</u>	0x0584	W	0x00000004	Internal clock select and division register 161
<u>CRU_CLKSEL_CON163</u>	0x058C	W	0x00000002	Internal clock select and division register 163
<u>CRU_CLKSEL_CON165</u>	0x0594	W	0x00000000	Internal clock select and division register 165
<u>CRU_CLKSEL_CON166</u>	0x0598	W	0x00000020	Internal clock select and division register 166
<u>CRU_CLKSEL_CON170</u>	0x05A8	W	0x00000022	Internal clock select and division register 170
<u>CRU_CLKSEL_CON172</u>	0x05B0	W	0x0000000C	Internal clock select and division register 172
<u>CRU_CLKSEL_CON174</u>	0x05B8	W	0x00004221	Internal clock select and division register 174
<u>CRU_CLKSEL_CON176</u>	0x05C0	W	0x00000000	Internal clock select and division register 176
<u>CRU_CLKSEL_CON177</u>	0x05C4	W	0x00000000	Internal clock select and division register 177
<u>CRU_GATE_CON00</u>	0x0800	W	0x00000000	Internal clock gate and division register 0
<u>CRU_GATE_CON01</u>	0x0804	W	0x00000000	Internal clock gate and division register 1
<u>CRU_GATE_CON02</u>	0x0808	W	0x00000050	Internal clock gate and division register 2
<u>CRU_GATE_CON03</u>	0x080C	W	0x00000000	Internal clock gate and division register 3
<u>CRU_GATE_CON04</u>	0x0810	W	0x00000000	Internal clock gate and division register 4
<u>CRU_GATE_CON05</u>	0x0814	W	0x00000000	Internal clock gate and division register 5
<u>CRU_GATE_CON06</u>	0x0818	W	0x00000000	Internal clock gate and division register 6
<u>CRU_GATE_CON07</u>	0x081C	W	0x00000000	Internal clock gate and division register 7
<u>CRU_GATE_CON08</u>	0x0820	W	0x00000000	Internal clock gate and division register 8

<b>Name</b>	<b>Offset</b>	<b>Size</b>	<b>Reset Value</b>	<b>Description</b>
<u>CRU_GATE_CON09</u>	0x0824	W	0x00000000	Internal clock gate and division register 9
<u>CRU_GATE_CON10</u>	0x0828	W	0x00000000	Internal clock gate and division register 10
<u>CRU_GATE_CON11</u>	0x082C	W	0x00000000	Internal clock gate and division register 11
<u>CRU_GATE_CON12</u>	0x0830	W	0x00000000	Internal clock gate and division register 12
<u>CRU_GATE_CON13</u>	0x0834	W	0x00000000	Internal clock gate and division register 13
<u>CRU_GATE_CON14</u>	0x0838	W	0x00000000	Internal clock gate and division register 14
<u>CRU_GATE_CON15</u>	0x083C	W	0x00000000	Internal clock gate and division register 15
<u>CRU_GATE_CON16</u>	0x0840	W	0x00000000	Internal clock gate and division register 16
<u>CRU_GATE_CON17</u>	0x0844	W	0x00000000	Internal clock gate and division register 17
<u>CRU_GATE_CON18</u>	0x0848	W	0x00000000	Internal clock gate and division register 18
<u>CRU_GATE_CON19</u>	0x084C	W	0x00000000	Internal clock gate and division register 19
<u>CRU_GATE_CON20</u>	0x0850	W	0x00000000	Internal clock gate and division register 20
<u>CRU_GATE_CON21</u>	0x0854	W	0x00000000	Internal clock gate and division register 21
<u>CRU_GATE_CON22</u>	0x0858	W	0x00000200	Internal clock gate and division register 22
<u>CRU_GATE_CON23</u>	0x085C	W	0x00000000	Internal clock gate and division register 23
<u>CRU_GATE_CON24</u>	0x0860	W	0x00000000	Internal clock gate and division register 24
<u>CRU_GATE_CON25</u>	0x0864	W	0x00000200	Internal clock gate and division register 25
<u>CRU_GATE_CON26</u>	0x0868	W	0x00000000	Internal clock gate and division register 26
<u>CRU_GATE_CON27</u>	0x086C	W	0x00000000	Internal clock gate and division register 27
<u>CRU_GATE_CON28</u>	0x0870	W	0x00000000	Internal clock gate and division register 28
<u>CRU_GATE_CON29</u>	0x0874	W	0x00000004	Internal clock gate and division register 29
<u>CRU_GATE_CON30</u>	0x0878	W	0x00000000	Internal clock gate and division register 30
<u>CRU_GATE_CON31</u>	0x087C	W	0x00000000	Internal clock gate and division register 31
<u>CRU_GATE_CON32</u>	0x0880	W	0x00000000	Internal clock gate and division register 32
<u>CRU_GATE_CON33</u>	0x0884	W	0x00000000	Internal clock gate and division register 33
<u>CRU_GATE_CON34</u>	0x0888	W	0x00000000	Internal clock gate and division register 34

<b>Name</b>	<b>Offset</b>	<b>Size</b>	<b>Reset Value</b>	<b>Description</b>
<u>CRU_GATE_CON35</u>	0x088C	W	0x00000000	Internal clock gate and division register 35
<u>CRU_GATE_CON37</u>	0x0894	W	0x00000000	Internal clock gate and division register 37
<u>CRU_GATE_CON38</u>	0x0898	W	0x00000000	Internal clock gate and division register 38
<u>CRU_GATE_CON39</u>	0x089C	W	0x00000000	Internal clock gate and division register 39
<u>CRU_GATE_CON40</u>	0x08A0	W	0x00000000	Internal clock gate and division register 40
<u>CRU_GATE_CON41</u>	0x08A4	W	0x00000000	Internal clock gate and division register 41
<u>CRU_GATE_CON42</u>	0x08A8	W	0x00000000	Internal clock gate and division register 42
<u>CRU_GATE_CON43</u>	0x08AC	W	0x00000000	Internal clock gate and division register 43
<u>CRU_GATE_CON44</u>	0x08B0	W	0x00000000	Internal clock gate and division register 44
<u>CRU_GATE_CON45</u>	0x08B4	W	0x00000000	Internal clock gate and division register 45
<u>CRU_GATE_CON47</u>	0x08BC	W	0x00000000	Internal clock gate and division register 47
<u>CRU_GATE_CON48</u>	0x08C0	W	0x00000000	Internal clock gate and division register 48
<u>CRU_GATE_CON49</u>	0x08C4	W	0x00000000	Internal clock gate and division register 49
<u>CRU_GATE_CON50</u>	0x08C8	W	0x00000000	Internal clock gate and division register 50
<u>CRU_GATE_CON51</u>	0x08CC	W	0x00000000	Internal clock gate and division register 51
<u>CRU_GATE_CON52</u>	0x08D0	W	0x00000000	Internal clock gate and division register 52
<u>CRU_GATE_CON53</u>	0x08D4	W	0x00000000	Internal clock gate and division register 53
<u>CRU_GATE_CON55</u>	0x08DC	W	0x00000000	Internal clock gate and division register 55
<u>CRU_GATE_CON56</u>	0x08E0	W	0x00000000	Internal clock gate and division register 56
<u>CRU_GATE_CON57</u>	0x08E4	W	0x00000000	Internal clock gate and division register 57
<u>CRU_GATE_CON59</u>	0x08EC	W	0x00000000	Internal clock gate and division register 59
<u>CRU_GATE_CON60</u>	0x08F0	W	0x00000000	Internal clock gate and division register 60
<u>CRU_GATE_CON61</u>	0x08F4	W	0x00000000	Internal clock gate and division register 61
<u>CRU_GATE_CON62</u>	0x08F8	W	0x00000000	Internal clock gate and division register 62
<u>CRU_GATE_CON63</u>	0x08FC	W	0x00000000	Internal clock gate and division register 63
<u>CRU_GATE_CON64</u>	0x0900	W	0x00000000	Internal clock gate and division register 64



<b>Name</b>	<b>Offset</b>	<b>Size</b>	<b>Reset Value</b>	<b>Description</b>
<u>CRU_GATE_CON65</u>	0x0904	W	0x00000000	Internal clock gate and division register 65
<u>CRU_GATE_CON66</u>	0x0908	W	0x00000004	Internal clock gate and division register 66
<u>CRU_GATE_CON67</u>	0x090C	W	0x00000000	Internal clock gate and division register 67
<u>CRU_GATE_CON68</u>	0x0910	W	0x00000000	Internal clock gate and division register 68
<u>CRU_GATE_CON69</u>	0x0914	W	0x00000000	Internal clock gate and division register 69
<u>CRU_GATE_CON70</u>	0x0918	W	0x00000000	Internal clock gate and division register 70
<u>CRU_GATE_CON72</u>	0x0920	W	0x00000000	Internal clock gate and division register 72
<u>CRU_GATE_CON73</u>	0x0924	W	0x00000000	Internal clock gate and division register 73
<u>CRU_GATE_CON74</u>	0x0928	W	0x00000000	Internal clock gate and division register 74
<u>CRU_GATE_CON75</u>	0x092C	W	0x00000000	Internal clock gate and division register 75
<u>CRU_GATE_CON76</u>	0x0930	W	0x00000000	Internal clock gate and division register 76
<u>CRU_GATE_CON77</u>	0x0934	W	0x00000000	Internal clock gate and division register 77
<u>CRU_SOFTRST_CON01</u>	0x0A04	W	0x00000000	Internal clock reset register 1
<u>CRU_SOFTRST_CON02</u>	0x0A08	W	0x00000000	Internal clock reset register 2
<u>CRU_SOFTRST_CON03</u>	0x0A0C	W	0x00000000	Internal clock reset register 3
<u>CRU_SOFTRST_CON04</u>	0x0A10	W	0x00000000	Internal clock reset register 4
<u>CRU_SOFTRST_CON05</u>	0x0A14	W	0x00000000	Internal clock reset register 5
<u>CRU_SOFTRST_CON06</u>	0x0A18	W	0x00000000	Internal clock reset register 6
<u>CRU_SOFTRST_CON07</u>	0x0A1C	W	0x00000000	Internal clock reset register 7
<u>CRU_SOFTRST_CON08</u>	0x0A20	W	0x00000000	Internal clock reset register 8
<u>CRU_SOFTRST_CON09</u>	0x0A24	W	0x00000000	Internal clock reset register 9
<u>CRU_SOFTRST_CON10</u>	0x0A28	W	0x00000000	Internal clock reset register 10
<u>CRU_SOFTRST_CON11</u>	0x0A2C	W	0x00000000	Internal clock reset register 11
<u>CRU_SOFTRST_CON12</u>	0x0A30	W	0x00000000	Internal clock reset register 12
<u>CRU_SOFTRST_CON13</u>	0x0A34	W	0x00000000	Internal clock reset register 13
<u>CRU_SOFTRST_CON14</u>	0x0A38	W	0x00000000	Internal clock reset register 14
<u>CRU_SOFTRST_CON15</u>	0x0A3C	W	0x00000000	Internal clock reset register 15
<u>CRU_SOFTRST_CON16</u>	0x0A40	W	0x00000000	Internal clock reset register 16
<u>CRU_SOFTRST_CON17</u>	0x0A44	W	0x00000000	Internal clock reset register 17
<u>CRU_SOFTRST_CON18</u>	0x0A48	W	0x00000000	Internal clock reset register 18
<u>CRU_SOFTRST_CON19</u>	0x0A4C	W	0x00000000	Internal clock reset register 19
<u>CRU_SOFTRST_CON20</u>	0x0A50	W	0x00000040	Internal clock reset register 20
<u>CRU_SOFTRST_CON21</u>	0x0A54	W	0x00000004	Internal clock reset register 21
<u>CRU_SOFTRST_CON22</u>	0x0A58	W	0x00000000	Internal clock reset register 22
<u>CRU_SOFTRST_CON23</u>	0x0A5C	W	0x00000040	Internal clock reset register 23
<u>CRU_SOFTRST_CON24</u>	0x0A60	W	0x00000004	Internal clock reset register 24
<u>CRU_SOFTRST_CON25</u>	0x0A64	W	0x00000000	Internal clock reset register 25
<u>CRU_SOFTRST_CON26</u>	0x0A68	W	0x00000000	Internal clock reset register 26
<u>CRU_SOFTRST_CON27</u>	0x0A6C	W	0x00000000	Internal clock reset register 27
<u>CRU_SOFTRST_CON28</u>	0x0A70	W	0x00000000	Internal clock reset register 28
<u>CRU_SOFTRST_CON29</u>	0x0A74	W	0x00000000	Internal clock reset register 29

<b>Name</b>	<b>Offset</b>	<b>Size</b>	<b>Reset Value</b>	<b>Description</b>
<u>CRU SOFTRST CON30</u>	0x0A78	W	0x00000008	Internal clock reset register 30
<u>CRU SOFTRST CON31</u>	0x0A7C	W	0x00000000	Internal clock reset register 31
<u>CRU SOFTRST CON32</u>	0x0A80	W	0x0000E000	Internal clock reset register 32
<u>CRU SOFTRST CON33</u>	0x0A84	W	0x00000003	Internal clock reset register 33
<u>CRU SOFTRST CON34</u>	0x0A88	W	0x00000000	Internal clock reset register 34
<u>CRU SOFTRST CON35</u>	0x0A8C	W	0x00000000	Internal clock reset register 35
<u>CRU SOFTRST CON37</u>	0x0A94	W	0x00000000	Internal clock reset register 37
<u>CRU SOFTRST CON40</u>	0x0AA0	W	0x00000000	Internal clock reset register 40
<u>CRU SOFTRST CON41</u>	0x0AA4	W	0x00000000	Internal clock reset register 41
<u>CRU SOFTRST CON42</u>	0x0AA8	W	0x00000000	Internal clock reset register 42
<u>CRU SOFTRST CON43</u>	0x0AAC	W	0x00000000	Internal clock reset register 43
<u>CRU SOFTRST CON44</u>	0x0AB0	W	0x00000000	Internal clock reset register 44
<u>CRU SOFTRST CON45</u>	0x0AB4	W	0x00000000	Internal clock reset register 45
<u>CRU SOFTRST CON47</u>	0x0ABC	W	0x00000000	Internal clock reset register 47
<u>CRU SOFTRST CON48</u>	0x0AC0	W	0x00000000	Internal clock reset register 48
<u>CRU SOFTRST CON49</u>	0x0AC4	W	0x00000000	Internal clock reset register 49
<u>CRU SOFTRST CON50</u>	0x0AC8	W	0x00000000	Internal clock reset register 50
<u>CRU SOFTRST CON51</u>	0x0ACC	W	0x00000000	Internal clock reset register 51
<u>CRU SOFTRST CON52</u>	0x0AD0	W	0x00000000	Internal clock reset register 52
<u>CRU SOFTRST CON53</u>	0x0AD4	W	0x00000000	Internal clock reset register 53
<u>CRU SOFTRST CON55</u>	0x0ADC	W	0x00000000	Internal clock reset register 55
<u>CRU SOFTRST CON56</u>	0x0AE0	W	0x00000000	Internal clock reset register 56
<u>CRU SOFTRST CON57</u>	0x0AE4	W	0x00000000	Internal clock reset register 57
<u>CRU SOFTRST CON59</u>	0x0AEC	W	0x00000000	Internal clock reset register 59
<u>CRU SOFTRST CON60</u>	0x0AF0	W	0x00000000	Internal clock reset register 60
<u>CRU SOFTRST CON61</u>	0x0AF4	W	0x00000000	Internal clock reset register 61
<u>CRU SOFTRST CON62</u>	0x0AF8	W	0x00000000	Internal clock reset register 62
<u>CRU SOFTRST CON63</u>	0x0AFC	W	0x00000000	Internal clock reset register 63
<u>CRU SOFTRST CON64</u>	0x0B00	W	0x00000000	Internal clock reset register 64
<u>CRU SOFTRST CON65</u>	0x0B04	W	0x00000000	Internal clock reset register 65
<u>CRU SOFTRST CON66</u>	0x0B08	W	0x00000000	Internal clock reset register 66
<u>CRU SOFTRST CON67</u>	0x0B0C	W	0x00000000	Internal clock reset register 67
<u>CRU SOFTRST CON68</u>	0x0B10	W	0x00000000	Internal clock reset register 68
<u>CRU SOFTRST CON69</u>	0x0B14	W	0x00004000	Internal clock reset register 69
<u>CRU SOFTRST CON70</u>	0x0B18	W	0x00000000	Internal clock reset register 70
<u>CRU SOFTRST CON72</u>	0x0B20	W	0x00000000	Internal clock reset register 72
<u>CRU SOFTRST CON73</u>	0x0B24	W	0x00000000	Internal clock reset register 73
<u>CRU SOFTRST CON74</u>	0x0B28	W	0x00000000	Internal clock reset register 74
<u>CRU SOFTRST CON75</u>	0x0B2C	W	0x00000000	Internal clock reset register 75
<u>CRU SOFTRST CON76</u>	0x0B30	W	0x00000000	Internal clock reset register 76
<u>CRU SOFTRST CON77</u>	0x0B34	W	0x00000000	Internal clock reset register 77
<u>CRU GLB CNT TH</u>	0x0C00	W	0x00000064	System control register
<u>CRU GLBRST ST</u>	0x0C04	W	0x00000000	System control register
<u>CRU GLB SRST FST VAL UE</u>	0x0C08	W	0x00000000	System control register
<u>CRU GLB SRST SND VA LUE</u>	0x0C0C	W	0x00000000	System control register
<u>CRU GLB RST CON</u>	0x0C10	W	0x00000000	System control register
<u>CRU SDIO CON0</u>	0x0C24	W	0x00000000	System control register
<u>CRU SDIO CON1</u>	0x0C28	W	0x00000000	System control register
<u>CRU SDMMC CON0</u>	0x0C30	W	0x00000000	System control register
<u>CRU SDMMC CON1</u>	0x0C34	W	0x00000000	System control register

<b>Name</b>	<b>Offset</b>	<b>Size</b>	<b>Reset Value</b>	<b>Description</b>
<u>CRU PHYREF ALT GATE CON</u>	0x0C38	W	0x00000000	System control register
<u>CRU CM0 GATEMASK CON</u>	0x0C3C	W	0x00000000	System control register
<u>CRU QCHANNEL CON01</u>	0x0CA4	W	0x00000000	Qchannel control register 1
<u>CRU SMOTH DIVFREE CON08</u>	0x0CC0	W	0x00000000	Smoothdiv control register
<u>CRU SMOTH DIVFREE CON09</u>	0x0CC4	W	0x00000000	Smoothdiv control register
<u>CRU SMOTH DIVFREE CON10</u>	0x0CC8	W	0x00000000	Smoothdiv control register
<u>CRU SMOTH DIVFREE CON11</u>	0x0CCC	W	0x00000000	Smoothdiv control register
<u>CRU SMOTH DIVFREE CON12</u>	0x0CD0	W	0x00000000	Smoothdiv control register
<u>CRU AUTOCS ACLK TOP ROOT CON0</u>	0x0D00	W	0x00200004	Auto clock switch control register 0
<u>CRU AUTOCS ACLK TOP ROOT CON1</u>	0x0D04	W	0x00000000	Auto clock switch control register 1
<u>CRU AUTOCS ACLK LOW TOP ROOT CON0</u>	0x0D08	W	0x00200004	Auto clock switch control register 0
<u>CRU AUTOCS ACLK LOW TOP ROOT CON1</u>	0x0D0C	W	0x00000000	Auto clock switch control register 1
<u>CRU AUTOCS ACLK TOP M400 ROOT CON0</u>	0x0D10	W	0x00200004	Auto clock switch control register 0
<u>CRU AUTOCS ACLK TOP M400 ROOT CON1</u>	0x0D14	W	0x00000000	Auto clock switch control register 1
<u>CRU AUTOCS ACLK TOP S400 ROOT CON0</u>	0x0D18	W	0x00200004	Auto clock switch control register 0
<u>CRU AUTOCS ACLK TOP S400 ROOT CON1</u>	0x0D1C	W	0x00000000	Auto clock switch control register 1
<u>CRU AUTOCS ACLK BUS ROOT CON0</u>	0x0D20	W	0x00200004	Auto clock switch control register 0
<u>CRU AUTOCS ACLK BUS ROOT CON1</u>	0x0D24	W	0x00000000	Auto clock switch control register 1
<u>CRU AUTOCS ACLK ISP1 ROOT CON0</u>	0x0D28	W	0x00200004	Auto clock switch control register 0
<u>CRU AUTOCS ACLK ISP1 ROOT CON1</u>	0x0D2C	W	0x00000000	Auto clock switch control register 1
<u>CRU AUTOCS CLK RKNN DSU0 CON0</u>	0x0D30	W	0x00200004	Auto clock switch control register 0
<u>CRU AUTOCS CLK RKNN DSU0 CON1</u>	0x0D34	W	0x00000000	Auto clock switch control register 1
<u>CRU AUTOCS HCLK RKN N ROOT CON0</u>	0x0D38	W	0x00200004	Auto clock switch control register 0
<u>CRU AUTOCS HCLK RKN N ROOT CON1</u>	0x0D3C	W	0x00000000	Auto clock switch control register 1
<u>CRU AUTOCS ACLK NVM ROOT CON0</u>	0x0D40	W	0x00200004	Auto clock switch control register 0
<u>CRU AUTOCS ACLK NVM ROOT CON1</u>	0x0D44	W	0x00000000	Auto clock switch control register 1
<u>CRU AUTOCS ACLK PHP ROOT CON0</u>	0x0D48	W	0x00200004	Auto clock switch control register 0

<b>Name</b>	<b>Offset</b>	<b>Size</b>	<b>Reset Value</b>	<b>Description</b>
<u>CRU AUTOCS ACLK PHP ROOT CON1</u>	0x0D4C	W	0x00000000	Auto clock switch control register 1
<u>CRU AUTOCS ACLK RKV DEC0 ROOT CON0</u>	0x0D50	W	0x00200004	Auto clock switch control register 0
<u>CRU AUTOCS ACLK RKV DEC0 ROOT CON1</u>	0x0D54	W	0x00000000	Auto clock switch control register 1
<u>CRU AUTOCS ACLK RKV DEC CCU CON0</u>	0x0D58	W	0x00200004	Auto clock switch control register 0
<u>CRU AUTOCS ACLK RKV DEC CCU CON1</u>	0x0D5C	W	0x00000000	Auto clock switch control register 1
<u>CRU AUTOCS ACLK RKV DEC1 ROOT CON0</u>	0x0D60	W	0x00200004	Auto clock switch control register 0
<u>CRU AUTOCS ACLK RKV DEC1 ROOT CON1</u>	0x0D64	W	0x00000000	Auto clock switch control register 1
<u>CRU AUTOCS ACLK USB ROOT CON0</u>	0x0D68	W	0x00200004	Auto clock switch control register 0
<u>CRU AUTOCS ACLK USB ROOT CON1</u>	0x0D6C	W	0x00000000	Auto clock switch control register 1
<u>CRU AUTOCS ACLK VDP U ROOT CON0</u>	0x0D70	W	0x00200004	Auto clock switch control register 0
<u>CRU AUTOCS ACLK VDP U ROOT CON1</u>	0x0D74	W	0x00000000	Auto clock switch control register 1
<u>CRU AUTOCS ACLK VDP U LOW ROOT CON0</u>	0x0D78	W	0x00200004	Auto clock switch control register 0
<u>CRU AUTOCS ACLK VDP U LOW ROOT CON1</u>	0x0D7C	W	0x00000000	Auto clock switch control register 1
<u>CRU AUTOCS ACLK JPEG DECODER ROOT CON0</u>	0x0D80	W	0x00200004	Auto clock switch control register 0
<u>CRU AUTOCS ACLK JPEG DECODER ROOT CON1</u>	0x0D84	W	0x00000000	Auto clock switch control register 1
<u>CRU AUTOCS ACLK RKV ENC0 ROOT CON0</u>	0x0D88	W	0x00200004	Auto clock switch control register 0
<u>CRU AUTOCS ACLK RKV ENC0 ROOT CON1</u>	0x0D8C	W	0x00000000	Auto clock switch control register 1
<u>CRU AUTOCS ACLK RKV ENC1 ROOT CON0</u>	0x0D90	W	0x00200004	Auto clock switch control register 0
<u>CRU AUTOCS ACLK RKV ENC1 ROOT CON1</u>	0x0D94	W	0x00000000	Auto clock switch control register 1
<u>CRU AUTOCS ACLK VI ROOT CON0</u>	0x0D98	W	0x00200004	Auto clock switch control register 0
<u>CRU AUTOCS ACLK VI ROOT CON1</u>	0x0D9C	W	0x00000000	Auto clock switch control register 1
<u>CRU AUTOCS ACLK VOP ROOT CON0</u>	0x0DA0	W	0x00200004	Auto clock switch control register 0
<u>CRU AUTOCS ACLK VOP ROOT CON1</u>	0x0DA4	W	0x00000000	Auto clock switch control register 1
<u>CRU AUTOCS ACLK VOO ROOT CON0</u>	0x0DA8	W	0x00200004	Auto clock switch control register 0
<u>CRU AUTOCS ACLK VOO ROOT CON1</u>	0x0DAC	W	0x00000000	Auto clock switch control register 1
<u>CRU AUTOCS ACLK HDC P1 ROOT CON0</u>	0x0DB0	W	0x00200004	Auto clock switch control register 0

<b>Name</b>	<b>Offset</b>	<b>Size</b>	<b>Reset Value</b>	<b>Description</b>
<u>CRU AUTOCS ACLK HDC P1 ROOT CON1</u>	0x0DB4	W	0x00000000	Auto clock switch control register 1
<u>CRU AUTOCS ACLK HDM IRX ROOT CON0</u>	0x0DB8	W	0x00200004	Auto clock switch control register 0
<u>CRU AUTOCS ACLK HDM IRX ROOT CON1</u>	0x0DBC	W	0x00000000	Auto clock switch control register 1
<u>CRU AUTOCS CLK GPU COREGROUP CON0</u>	0x0DC0	W	0x00200004	Auto clock switch control register 0
<u>CRU AUTOCS CLK GPU COREGROUP CON1</u>	0x0DC4	W	0x00000000	Auto clock switch control register 1
<u>CRU AUTOCS ACLK AV1 ROOT CON0</u>	0x0DE0	W	0x00200004	Auto clock switch control register 0
<u>CRU AUTOCS ACLK AV1 ROOT CON1</u>	0x0DE4	W	0x00000000	Auto clock switch control register 1
<u>CRU AUTOCS ACLK CEN TER ROOT CON0</u>	0x0DE8	W	0x00200004	Auto clock switch control register 0
<u>CRU AUTOCS ACLK CEN TER ROOT CON1</u>	0x0DEC	W	0x00000000	Auto clock switch control register 1
<u>CRU AUTOCS ACLK CEN TER LOW ROOT CON0</u>	0x0DF0	W	0x00200004	Auto clock switch control register 0
<u>CRU AUTOCS ACLK CEN TER LOW ROOT CON1</u>	0x0DF4	W	0x00000000	Auto clock switch control register 1
<u>CRU AUTOCS ACLK CEN TER S400 ROOT CON0</u>	0x0DF8	W	0x00200004	Auto clock switch control register 0
<u>CRU AUTOCS ACLK CEN TER S400 ROOT CON1</u>	0x0DFC	W	0x00000000	Auto clock switch control register 1
<u>CRU AUTOCS ACLK VO1 USB TOP ROOT CON0</u>	0x0E00	W	0x00200004	Auto clock switch control register 0
<u>CRU AUTOCS ACLK VO1 USB TOP ROOT CON1</u>	0x0E04	W	0x00000000	Auto clock switch control register 1
<u>CRU AUTOCS ACLK RGA 3 ROOT CON0</u>	0x0E08	W	0x00200004	Auto clock switch control register 0
<u>CRU AUTOCS ACLK RGA 3 ROOT CON1</u>	0x0E0C	W	0x00000000	Auto clock switch control register 1
<u>CRU AUTOCS PCLK AV1 ROOT CON0</u>	0x0E10	W	0x00200004	Auto clock switch control register 0
<u>CRU AUTOCS PCLK AV1 ROOT CON1</u>	0x0E14	W	0x00000000	Auto clock switch control register 1
<u>CRU AUTOCS HCLK ISP1 ROOT CON0</u>	0x0E18	W	0x00200004	Auto clock switch control register 0
<u>CRU AUTOCS HCLK ISP1 ROOT CON1</u>	0x0E1C	W	0x00000000	Auto clock switch control register 1
<u>CRU AUTOCS PCLK NPU TOP ROOT CON0</u>	0x0E20	W	0x00200004	Auto clock switch control register 0
<u>CRU AUTOCS PCLK NPU TOP ROOT CON1</u>	0x0E24	W	0x00000000	Auto clock switch control register 1
<u>CRU AUTOCS HCLK NPU CM0 ROOT CON0</u>	0x0E28	W	0x00200004	Auto clock switch control register 0
<u>CRU AUTOCS HCLK NPU CM0 ROOT CON1</u>	0x0E2C	W	0x00000000	Auto clock switch control register 1
<u>CRU AUTOCS HCLK NVM ROOT CON0</u>	0x0E30	W	0x00200004	Auto clock switch control register 0

<b>Name</b>	<b>Offset</b>	<b>Size</b>	<b>Reset Value</b>	<b>Description</b>
<u>CRU_AUTOCS_HCLK_NVM_ROOT_CON1</u>	0x0E34	W	0x00000000	Auto clock switch control register 1
<u>CRU_AUTOCS_PCLK_PHP_ROOT_CON0</u>	0x0E38	W	0x00200004	Auto clock switch control register 0
<u>CRU_AUTOCS_PCLK_PHP_ROOT_CON1</u>	0x0E3C	W	0x00000000	Auto clock switch control register 1
<u>CRU_AUTOCS_ACLK_PCIE_ROOT_CON0</u>	0x0E40	W	0x00200004	Auto clock switch control register 0
<u>CRU_AUTOCS_ACLK_PCIE_ROOT_CON1</u>	0x0E44	W	0x00000000	Auto clock switch control register 1
<u>CRU_AUTOCS_HCLK_RKV_DEC0_ROOT_CON0</u>	0x0E48	W	0x00200004	Auto clock switch control register 0
<u>CRU_AUTOCS_HCLK_RKV_DEC0_ROOT_CON1</u>	0x0E4C	W	0x00000000	Auto clock switch control register 1
<u>CRU_AUTOCS_HCLK_RKV_DEC1_ROOT_CON0</u>	0x0E50	W	0x00200004	Auto clock switch control register 0
<u>CRU_AUTOCS_HCLK_RKV_DEC1_ROOT_CON1</u>	0x0E54	W	0x00000000	Auto clock switch control register 1
<u>CRU_AUTOCS_PCLK_TOP_ROOT_CON0</u>	0x0E58	W	0x00200004	Auto clock switch control register 0
<u>CRU_AUTOCS_PCLK_TOP_ROOT_CON1</u>	0x0E5C	W	0x00000000	Auto clock switch control register 1
<u>CRU_AUTOCS_ACLK_TOP_M500_ROOT_CON0</u>	0x0E60	W	0x00200004	Auto clock switch control register 0
<u>CRU_AUTOCS_ACLK_TOP_M500_ROOT_CON1</u>	0x0E64	W	0x00000000	Auto clock switch control register 1
<u>CRU_AUTOCS_ACLK_TOP_S200_ROOT_CON0</u>	0x0E68	W	0x00200004	Auto clock switch control register 0
<u>CRU_AUTOCS_ACLK_TOP_S200_ROOT_CON1</u>	0x0E6C	W	0x00000000	Auto clock switch control register 1
<u>CRU_AUTOCS_HCLK_USB_ROOT_CON0</u>	0x0E70	W	0x00200004	Auto clock switch control register 0
<u>CRU_AUTOCS_HCLK_USB_ROOT_CON1</u>	0x0E74	W	0x00000000	Auto clock switch control register 1
<u>CRU_AUTOCS_HCLK_VDP_U_ROOT_CON0</u>	0x0E78	W	0x00200004	Auto clock switch control register 0
<u>CRU_AUTOCS_HCLK_VDP_U_ROOT_CON1</u>	0x0E7C	W	0x00000000	Auto clock switch control register 1
<u>CRU_AUTOCS_HCLK_RKV_ENC0_ROOT_CON0</u>	0x0E80	W	0x00200004	Auto clock switch control register 0
<u>CRU_AUTOCS_HCLK_RKV_ENC0_ROOT_CON1</u>	0x0E84	W	0x00000000	Auto clock switch control register 1
<u>CRU_AUTOCS_HCLK_RKV_ENC1_ROOT_CON0</u>	0x0E88	W	0x00200004	Auto clock switch control register 0
<u>CRU_AUTOCS_HCLK_RKV_ENC1_ROOT_CON1</u>	0x0E8C	W	0x00000000	Auto clock switch control register 1
<u>CRU_AUTOCS_HCLK_VI_ROOT_CON0</u>	0x0E90	W	0x00200004	Auto clock switch control register 0
<u>CRU_AUTOCS_HCLK_VI_ROOT_CON1</u>	0x0E94	W	0x00000000	Auto clock switch control register 1
<u>CRU_AUTOCS_PCLK_VI_ROOT_CON0</u>	0x0E98	W	0x00200004	Auto clock switch control register 0

<b>Name</b>	<b>Offset</b>	<b>Size</b>	<b>Reset Value</b>	<b>Description</b>
<u>CRU AUTOCS PCLK VI ROOT CON1</u>	0x0E9C	W	0x00000000	Auto clock switch control register 1
<u>CRU AUTOCS ACLK VOP LOW ROOT CON0</u>	0x0EA0	W	0x00200004	Auto clock switch control register 0
<u>CRU AUTOCS ACLK VOP LOW ROOT CON1</u>	0x0EA4	W	0x00000000	Auto clock switch control register 1
<u>CRU AUTOCS HCLK VOP ROOT CON0</u>	0x0EA8	W	0x00200004	Auto clock switch control register 0
<u>CRU AUTOCS HCLK VOP ROOT CON1</u>	0x0EAC	W	0x00000000	Auto clock switch control register 1
<u>CRU AUTOCS PCLK VOP ROOT CON0</u>	0x0EB0	W	0x00200004	Auto clock switch control register 0
<u>CRU AUTOCS PCLK VOP ROOT CON1</u>	0x0EB4	W	0x00000000	Auto clock switch control register 1
<u>CRU AUTOCS HCLK VO0 ROOT CON0</u>	0x0EB8	W	0x00200004	Auto clock switch control register 0
<u>CRU AUTOCS HCLK VO0 ROOT CON1</u>	0x0EBC	W	0x00000000	Auto clock switch control register 1
<u>CRU AUTOCS HCLK VO0 S ROOT CON0</u>	0x0EC0	W	0x00200004	Auto clock switch control register 0
<u>CRU AUTOCS HCLK VO0 S ROOT CON1</u>	0x0EC4	W	0x00000000	Auto clock switch control register 1
<u>CRU AUTOCS PCLK VO0 ROOT CON0</u>	0x0EC8	W	0x00200004	Auto clock switch control register 0
<u>CRU AUTOCS PCLK VO0 ROOT CON1</u>	0x0ECC	W	0x00000000	Auto clock switch control register 1
<u>CRU AUTOCS PCLK VO0 S ROOT CON0</u>	0x0ED0	W	0x00200004	Auto clock switch control register 0
<u>CRU AUTOCS PCLK VO0 S ROOT CON1</u>	0x0ED4	W	0x00000000	Auto clock switch control register 1
<u>CRU AUTOCS HCLK VO1 ROOT CON0</u>	0x0ED8	W	0x00200004	Auto clock switch control register 0
<u>CRU AUTOCS HCLK VO1 ROOT CON1</u>	0x0EDC	W	0x00000000	Auto clock switch control register 1
<u>CRU AUTOCS HCLK VO1 S ROOT CON0</u>	0x0EE0	W	0x00200004	Auto clock switch control register 0
<u>CRU AUTOCS HCLK VO1 S ROOT CON1</u>	0x0EE4	W	0x00000000	Auto clock switch control register 1
<u>CRU AUTOCS PCLK VO1 ROOT CON0</u>	0x0EE8	W	0x00200004	Auto clock switch control register 0
<u>CRU AUTOCS PCLK VO1 ROOT CON1</u>	0x0EEC	W	0x00000000	Auto clock switch control register 1
<u>CRU AUTOCS PCLK VO1 S ROOT CON0</u>	0x0EF0	W	0x00200004	Auto clock switch control register 0
<u>CRU AUTOCS PCLK VO1 S ROOT CON1</u>	0x0EF4	W	0x00000000	Auto clock switch control register 1
<u>CRU AUTOCS PCLK GPU ROOT CON0</u>	0x0EF8	W	0x00200004	Auto clock switch control register 0
<u>CRU AUTOCS PCLK GPU ROOT CON1</u>	0x0EFC	W	0x00000000	Auto clock switch control register 1
<u>CRU AUTOCS HCLK CENTER ROOT CON0</u>	0x0F00	W	0x00200004	Auto clock switch control register 0

Name	Offset	Size	Reset Value	Description
CRU AUTOCS HCLK CENTER ROOT CON1	0x0F04	W	0x00000000	Auto clock switch control register 1
CRU AUTOCS PCLK CENTER ROOT CON0	0x0F08	W	0x00200004	Auto clock switch control register 0
CRU AUTOCS PCLK CENTER ROOT CON1	0x0F0C	W	0x00000000	Auto clock switch control register 1
CRU AUTOCS ACLK CENTER S200 ROOT CON0	0x0F10	W	0x00200004	Auto clock switch control register 0
CRU AUTOCS ACLK CENTER S200 ROOT CON1	0x0F14	W	0x00000000	Auto clock switch control register 1
CRU AUTOCS HCLK SDIO ROOT CON0	0x0F18	W	0x00200004	Auto clock switch control register 0
CRU AUTOCS HCLK SDIO ROOT CON1	0x0F1C	W	0x00000000	Auto clock switch control register 1
CRU AUTOCS HCLK RGA3 ROOT CON0	0x0F20	W	0x00200004	Auto clock switch control register 0
CRU AUTOCS HCLK RGA3 ROOT CON1	0x0F24	W	0x00000000	Auto clock switch control register 1
CRU AUTOCS HCLK VO1 USB TOP ROOT CON0	0x0F28	W	0x00200004	Auto clock switch control register 0
CRU AUTOCS HCLK VO1 USB TOP ROOT CON1	0x0F2C	W	0x00000000	Auto clock switch control register 1
CRU AUTOCS ACLK TOP M300 ROOT CON0	0x0F30	W	0x00200004	Auto clock switch control register 0
CRU AUTOCS ACLK TOP M300 ROOT CON1	0x0F34	W	0x00000000	Auto clock switch control register 1
CRU AUTOCS CLK RKNN DSU0 SRC T CON0	0x0F38	W	0x00200004	Auto clock switch control register 0
CRU AUTOCS CLK RKNN DSU0 SRC T CON1	0x0F3C	W	0x00000000	Auto clock switch control register 1
CRU AUTOCS HCLK AUDIO ROOT CON0	0x0F40	W	0x00200004	Auto clock switch control register 0
CRU AUTOCS HCLK AUDIO ROOT CON1	0x0F44	W	0x00000000	Auto clock switch control register 1
CRU AUTOCS PCLK AUDIO ROOT CON0	0x0F48	W	0x00200004	Auto clock switch control register 0
CRU AUTOCS PCLK AUDIO ROOT CON1	0x0F4C	W	0x00000000	Auto clock switch control register 1

Notes: **B**- Byte (8 bits) access, **HW**- Half WORD (16 bits) access, **W**-WORD (32 bits) access, **DW**- Double WORD (64 bits) access

## 2.4.2 Detail Registers Description

### CRU VOPLL CON0

Address: Operational Base + offset (0x0160)

Bit	Attr	Reset Value	Description
31:16	WO	0x0000	write_enable Write enable for lower 16 bits, each bit is individual. 1'b0: Write access disable 1'b1: Write access enable
15	RW	0x0	v0pll_bp BYPASS: Bypass mode control signal. 1'b1: bypass mode is enabled. (FOUT = FIN). 1'b0: PLL operates normally.
14:10	RO	0x00	reserved



Bit	Attr	Reset Value	Description
9:0	RW	0x000	v0pll_m M: Division value of the 10-bit programmable main-divider. PLL has to be reset if M value is changed. 64 <= pll_m <= 1023

**CRU\_V0PLL\_CON1**

Address: Operational Base + offset (0x0164)

Bit	Attr	Reset Value	Description
31:16	WO	0x0000	write_enable Write enable for lower 16 bits, each bit is individual. 1'b0: Write access disable 1'b1: Write access enable
15:14	RO	0x0	reserved
13	RW	0x0	v0pll_resetb RESETB: Power down control signal. 1'b0: RESETB=0 from 1, PLL starts its normal operation after lock time. 1'b1: RESETB=1, power down mode is enabled and all digital blocks are reset.
12:9	RO	0x0	reserved
8:6	RW	0x0	v0pll_s Division value of the 3-bit programmable scaler. 0 <= pll_s <= 6
5:0	RW	0x00	v0pll_p P: Division value of the 6-bit programmable pre-divider. PLL has to be reset if P value is changed. 1 <= pll_p <= 63

**CRU\_V0PLL\_CON2**

Address: Operational Base + offset (0x0168)

Bit	Attr	Reset Value	Description
31:16	RO	0x0000	reserved
15:0	RW	0x0000	v0pll_k K: Value of 16-bit DSM. pll_k[15:0] is a two's complement integer.

**CRU\_V0PLL\_CON3**

Address: Operational Base + offset (0x016C)

Bit	Attr	Reset Value	Description
31:16	WO	0x0000	write_enable Write enable for lower 16 bits, each bit is individual. 1'b0: Write access disable 1'b1: Write access enable
15:14	RW	0x0	v0pll_sel_pf SEL_PF: Value of 2-bit modulation method control. 2'b00: down spread; 2'b01: up spread; 2'b1x: center spread. PLL has to be reset if pll_sel_pf is changed.
13:8	RW	0x00	v0pll_mrr MRR: Value of 6-bit modulation rate control. PLL has to be reset if pll_mrr is changed.
7:0	RW	0x00	v0pll_mfr MFR: Value of 8-bit modulation frequency control. PLL has to be reset if pll_mfr is changed.

**CRU\_V0PLL\_CON4**

Address: Operational Base + offset (0x0170)

Bit	Attr	Reset Value	Description
31:16	WO	0x0000	write_enable Write enable for lower 16 bits, each bit is individual. 1'b0: Write access disable 1'b1: Write access enable
15	RW	0x0	v0pll_fsel FSEL: Monitoring pin. 1'b0: FEED_OUT = FREF. 1'b1: FEED_OUT = FEED.
14	RW	0x0	v0pll_feed_en FEED_EN: Monitoring pin. 1'b0: FEED_OUT is disabled. 1'b1: FEED_OUT is enabled.
13:9	RO	0x00	reserved
8:4	RW	0x00	v0pll_extafc EXTAFC: Monitoring pin. If pll_afc_enb=1, AFC is disabled and VCO is calibrated manually by pll_extafc[4:0] for the test of VCO range.
3	RW	0x0	v0pll_afc_enb AFC_ENB: Monitoring pin. 1'b0: AFC is enabled and VCO is calibrated automatically. 1'b1: AFC is disabled and VCO is calibrated manually by pll_extafc[4:0] for the test of VCO range.
2:1	RO	0x0	reserved
0	RW	0x0	v0pll_sscg_en SSCG_EN: Enable pin for dithered mode. 1'b0: disable dithered mode. 1'b1: enable dithered mode.

**CRU\_V0PLL\_CON5**

Address: Operational Base + offset (0x0174)

Bit	Attr	Reset Value	Description
31:16	WO	0x0000	write_enable Write enable for lower 16 bits, each bit is individual. 1'b0: Write access disable 1'b1: Write access enable
15:1	RO	0x0000	reserved
0	RW	0x0	v0pll_fout_mask FOUT_MASK: Scaler's re-initialization time control pin.

**CRU\_V0PLL\_CON6**

Address: Operational Base + offset (0x0178)

Bit	Attr	Reset Value	Description
31:16	WO	0x0000	write_enable Write enable for lower 16 bits, each bit is individual. 1'b0: Write access disable 1'b1: Write access enable
15	RW	0x0	v0pll_lock LOCK: PLL lock flag. 1'b0: PLL is unlocked. 1'b1: PLL is locked.

Bit	Attr	Reset Value	Description
14:10	RW	0x00	v0pll_afc_code AFC_CODE: Monitoring pin. Output code of AFC(5 bits).
9:0	RO	0x000	reserved

**CRU AUPLL CON0**

Address: Operational Base + offset (0x0180)

Bit	Attr	Reset Value	Description
31:16	WO	0x0000	write_enable Write enable for lower 16 bits, each bit is individual. 1'b0: Write access disable 1'b1: Write access enable
15	RW	0x0	aupll_bp BYPASS: Bypass mode control signal. 1'b1: bypass mode is enabled. (FOUT = FIN). 1'b0: PLL operates normally.
14:10	RO	0x00	reserved
9:0	RW	0x000	aupll_m M: Division value of the 10-bit programmable main-divider. PLL has to be reset if M value is changed. 64 <= pll_m <= 1023

**CRU AUPLL CON1**

Address: Operational Base + offset (0x0184)

Bit	Attr	Reset Value	Description
31:16	WO	0x0000	write_enable Write enable for lower 16 bits, each bit is individual. 1'b0: Write access disable 1'b1: Write access enable
15:14	RO	0x0	reserved
13	RW	0x0	aupll_resetb RESETB: Power down control signal. 1'b0: RESETB=0 from 1, PLL starts its normal operation after lock time. 1'b1: RESETB=1, power down mode is enabled and all digital blocks are reset.
12:9	RO	0x0	reserved
8:6	RW	0x0	aupll_s Division value of the 3-bit programmable scaler. 0 <= pll_s <= 6
5:0	RW	0x00	aupll_p P: Division value of the 6-bit programmable pre-divider. PLL has to be reset if P value is changed. 1 <= pll_p <= 63

**CRU AUPLL CON2**

Address: Operational Base + offset (0x0188)

Bit	Attr	Reset Value	Description
31:16	RO	0x0000	reserved
15:0	RW	0x0000	aupll_k K: Value of 16-bit DSM. pll_k[15:0] is a two's complement integer.

**CRU AUPLL CON3**

Address: Operational Base + offset (0x018C)

Bit	Attr	Reset Value	Description
31:16	WO	0x0000	write_enable Write enable for lower 16 bits, each bit is individual. 1'b0: Write access disable 1'b1: Write access enable
15:14	RW	0x0	aupll_sel_pf SEL_PF: Value of 2-bit modulation method control. 2'b00: down spread; 2'b01: up spread; 2'b1x: center spread. PLL has to be reset if pll_sel_pf is changed.
13:8	RW	0x00	aupll_mrr MRR: Value of 6-bit modulation rate control. PLL has to be reset if pll_mrr is changed.
7:0	RW	0x00	aupll_mfr MFR: Value of 8-bit modulation frequency control. PLL has to be reset if pll_mfr is changed.

**CRU AUPLL CON4**

Address: Operational Base + offset (0x0190)

Bit	Attr	Reset Value	Description
31:16	WO	0x0000	write_enable Write enable for lower 16 bits, each bit is individual. 1'b0: Write access disable 1'b1: Write access enable
15	RW	0x0	aupll_fsel FSEL: Monitoring pin. 1'b0: FEED_OUT = FREF. 1'b1: FEED_OUT = FEED.
14	RW	0x0	aupll_feed_en FEED_EN: Monitoring pin. 1'b0: FEED_OUT is disabled. 1'b1: FEED_OUT is enabled.
13:9	RO	0x00	reserved
8:4	RW	0x00	aupll_extafc EXTAFC: Monitoring pin. If pll_afc_enb=1, AFC is disabled and VCO is calibrated manually by pll_extafc[4:0] for the test of VCO range.
3	RW	0x0	aupll_afc_enb AFC_ENB: Monitoring pin. 1'b0: AFC is enabled and VCO is calibrated automatically. 1'b1: AFC is disabled and VCO is calibrated manually by pll_extafc[4:0] for the test of VCO range.
2:1	RO	0x0	reserved
0	RW	0x0	aupll_sscg_en SSCG_EN: Enable pin for dithered mode. 1'b0: disable dithered mode. 1'b1: enable dithered mode.

**CRU AUPLL CON5**

Address: Operational Base + offset (0x0194)

Bit	Attr	Reset Value	Description
31:16	WO	0x0000	write_enable Write enable for lower 16 bits, each bit is individual. 1'b0: Write access disable 1'b1: Write access enable

Bit	Attr	Reset Value	Description
15:1	RO	0x0000	reserved
0	RW	0x0	aupll_fout_mask FOUT_MASK: Scaler's re-initialization time control pin.

**CRU AUPLL CON6**

Address: Operational Base + offset (0x0198)

Bit	Attr	Reset Value	Description
31:16	WO	0x0000	write_enable Write enable for lower 16 bits, each bit is individual. 1'b0: Write access disable 1'b1: Write access enable
15	RW	0x0	aupll_lock LOCK: PLL lock flag. 1'b0: PLL is unlocked. 1'b1: PLL is locked.
14:10	RW	0x00	aupll_afc_code AFC_CODE: Monitoring pin. Output code of AFC(5 bits).
9:0	RO	0x000	reserved

**CRU CPLL CON0**

Address: Operational Base + offset (0x01A0)

Bit	Attr	Reset Value	Description
31:16	WO	0x0000	write_enable Write enable for lower 16 bits, each bit is individual. 1'b0: Write access disable 1'b1: Write access enable
15	RW	0x0	cppll_bp BYPASS: Bypass mode control signal. 1'b1: bypass mode is enabled. (FOUT = FIN). 1'b0: PLL operates normally.
14:10	RO	0x00	reserved
9:0	RW	0x000	cppll_m M: Division value of the 10-bit programmable main-divider. PLL has to be reset if M value is changed. 64 <= pll_m <= 1023

**CRU CPLL CON1**

Address: Operational Base + offset (0x01A4)

Bit	Attr	Reset Value	Description
31:16	WO	0x0000	write_enable Write enable for lower 16 bits, each bit is individual. 1'b0: Write access disable 1'b1: Write access enable
15:14	RO	0x0	reserved
13	RW	0x0	cppll_resetb RESETB: Power down control signal. 1'b0: RESETB=0 from 1, PLL starts its normal operation after lock time. 1'b1: RESETB=1, power down mode is enabled and all digital blocks are reset.
12:9	RO	0x0	reserved
8:6	RW	0x0	cppll_s Division value of the 3-bit programmable scaler. 0 <= pll_s <= 6

Bit	Attr	Reset Value	Description
5:0	RW	0x00	cppll_p P: Division value of the 6-bit programmable pre-divider. PLL has to be reset if P value is changed. $1 \leq pll\_p \leq 63$

**CRU CPPLL CON2**

Address: Operational Base + offset (0x01A8)

Bit	Attr	Reset Value	Description
31:16	RO	0x0000	reserved
15:0	RW	0x0000	cppll_k K: Value of 16-bit DSM. pll_k[15:0] is a two's complement integer.

**CRU CPPLL CON3**

Address: Operational Base + offset (0x01AC)

Bit	Attr	Reset Value	Description
31:16	WO	0x0000	write_enable Write enable for lower 16 bits, each bit is individual. 1'b0: Write access disable 1'b1: Write access enable
15:14	RW	0x0	cppll_sel_pf SEL_PF: Value of 2-bit modulation method control. 2'b00: down spread; 2'b01: up spread; 2'b1x: center spread. PLL has to be reset if pll_sel_pf is changed.
13:8	RW	0x00	cppll_mrr MRR: Value of 6-bit modulation rate control. PLL has to be reset if pll_mrr is changed.
7:0	RW	0x00	cppll_mfr MFR: Value of 8-bit modulation frequency control. PLL has to be reset if pll_mfr is changed.

**CRU CPPLL CON4**

Address: Operational Base + offset (0x01B0)

Bit	Attr	Reset Value	Description
31:16	WO	0x0000	write_enable Write enable for lower 16 bits, each bit is individual. 1'b0: Write access disable 1'b1: Write access enable
15	RW	0x0	cppll_fsel FSEL: Monitoring pin. 1'b0: FEED_OUT = FREF. 1'b1: FEED_OUT = FEED.
14	RW	0x0	cppll_feed_en FEED_EN: Monitoring pin. 1'b0: FEED_OUT is disabled. 1'b1: FEED_OUT is enabled.
13:9	RO	0x00	reserved
8:4	RW	0x00	cppll_extafc EXTAFC: Monitoring pin. If pll_afc_enb=1, AFC is disabled and VCO is calibrated manually by pll_extafc[4:0] for the test of VCO range.

Bit	Attr	Reset Value	Description
3	RW	0x0	cppll_afc_enb AFC_ENB: Monitoring pin. 1'b0: AFC is enabled and VCO is calibrated automatically. 1'b1: AFC is disabled and VCO is calibrated manually by pll_extafc[4:0] for the test of VCO range.
2:1	RO	0x0	reserved
0	RW	0x0	cppll_sscg_en SSCG_EN: Enable pin for dithered mode. 1'b0: disable dithered mode. 1'b1: enable dithered mode.

**CRU CPPLL CON5**

Address: Operational Base + offset (0x01B4)

Bit	Attr	Reset Value	Description
31:16	WO	0x0000	write_enable Write enable for lower 16 bits, each bit is individual. 1'b0: Write access disable 1'b1: Write access enable
15:1	RO	0x0000	reserved
0	RW	0x0	cppll_fout_mask FOUT_MASK: Scaler's re-initialization time control pin.

**CRU CPPLL CON6**

Address: Operational Base + offset (0x01B8)

Bit	Attr	Reset Value	Description
31:16	WO	0x0000	write_enable Write enable for lower 16 bits, each bit is individual. 1'b0: Write access disable 1'b1: Write access enable
15	RW	0x0	cppll_lock LOCK: PLL lock flag. 1'b0: PLL is unlocked. 1'b1: PLL is locked.
14:10	RW	0x00	cppll_afc_code AFC_CODE: Monitoring pin. Output code of AFC(5 bits).
9:0	RO	0x000	reserved

**CRU GPLL CON0**

Address: Operational Base + offset (0x01C0)

Bit	Attr	Reset Value	Description
31:16	WO	0x0000	write_enable Write enable for lower 16 bits, each bit is individual. 1'b0: Write access disable 1'b1: Write access enable
15	RW	0x0	gppll_bp BYPASS: Bypass mode control signal. 1'b1: bypass mode is enabled. (FOUT = FIN). 1'b0: PLL operates normally.
14:10	RO	0x00	reserved
9:0	RW	0x000	gppll_m M: Division value of the 10-bit programmable main-divider. PLL has to be reset if M value is changed. 64 <= pll_m <= 1023

**CRU GPLL CON1**

Address: Operational Base + offset (0x01C4)

Bit	Attr	Reset Value	Description
31:16	WO	0x0000	write_enable Write enable for lower 16 bits, each bit is individual. 1'b0: Write access disable 1'b1: Write access enable
15:14	RO	0x0	reserved
13	RW	0x0	gpll_resetb RESETB: Power down control signal. 1'b0: RESETB=0 from 1, PLL starts its normal operation after lock time. 1'b1: RESETB=1, power down mode is enabled and all digital blocks are reset.
12:9	RO	0x0	reserved
8:6	RW	0x0	gpll_s Division value of the 3-bit programmable scaler. 0 <= pll_s <= 6
5:0	RW	0x00	gpll_p P: Division value of the 6-bit programmable pre-divider. PLL has to be reset if P value is changed. 1 <= pll_p <= 63

**CRU GPLL CON2**

Address: Operational Base + offset (0x01C8)

Bit	Attr	Reset Value	Description
31:16	RO	0x0000	reserved
15:0	RW	0x0000	gpll_k K: Value of 16-bit DSM. pll_k[15:0] is a two's complement integer.

**CRU GPLL CON3**

Address: Operational Base + offset (0x01CC)

Bit	Attr	Reset Value	Description
31:16	WO	0x0000	write_enable Write enable for lower 16 bits, each bit is individual. 1'b0: Write access disable 1'b1: Write access enable
15:14	RW	0x0	gpll_sel_pf SEL_PF: Value of 2-bit modulation method control. 2'b00: down spread; 2'b01: up spread; 2'b1x: center spread. PLL has to be reset if pll_sel_pf is changed.
13:8	RW	0x00	gpll_mrr MRR: Value of 6-bit modulation rate control. PLL has to be reset if pll_mrr is changed.
7:0	RW	0x00	gpll_mfr MFR: Value of 8-bit modulation frequency control. PLL has to be reset if pll_mfr is changed.

**CRU GPLL CON4**

Address: Operational Base + offset (0x01D0)



Bit	Attr	Reset Value	Description
31:16	WO	0x0000	write_enable Write enable for lower 16 bits, each bit is individual. 1'b0: Write access disable 1'b1: Write access enable
15	RW	0x0	gpll_fsel FSEL: Monitoring pin. 1'b0: FEED_OUT = FREF. 1'b1: FEED_OUT = FEED.
14	RW	0x0	gpll_feed_en FEED_EN: Monitoring pin. 1'b0: FEED_OUT is disabled. 1'b1: FEED_OUT is enabled.
13:9	RO	0x00	reserved
8:4	RW	0x00	gpll_extafc EXTAFC: Monitoring pin. If pll_afc_enb=1, AFC is disabled and VCO is calibrated manually by pll_extafc[4:0] for the test of VCO range.
3	RW	0x0	gpll_afc_enb AFC_ENB: Monitoring pin. 1'b0: AFC is enabled and VCO is calibrated automatically. 1'b1: AFC is disabled and VCO is calibrated manually by pll_extafc[4:0] for the test of VCO range.
2:1	RO	0x0	reserved
0	RW	0x0	gpll_sscg_en SSCG_EN: Enable pin for dithered mode. 1'b0: disable dithered mode. 1'b1: enable dithered mode.

**CRU\_GPLL\_CON5**

Address: Operational Base + offset (0x01D4)

Bit	Attr	Reset Value	Description
31:16	WO	0x0000	write_enable Write enable for lower 16 bits, each bit is individual. 1'b0: Write access disable 1'b1: Write access enable
15:1	RO	0x0000	reserved
0	RW	0x0	gpll_fout_mask FOUT_MASK: Scaler's re-initialization time control pin.

**CRU\_GPLL\_CON6**

Address: Operational Base + offset (0x01D8)

Bit	Attr	Reset Value	Description
31:16	WO	0x0000	write_enable Write enable for lower 16 bits, each bit is individual. 1'b0: Write access disable 1'b1: Write access enable
15	RW	0x0	gpll_lock LOCK: PLL lock flag. 1'b0: PLL is unlocked. 1'b1: PLL is locked.
14:10	RW	0x00	gpll_afc_code AFC_CODE: Monitoring pin. Output code of AFC(5 bits).
9:0	RO	0x0000	reserved

**CRU NPLL CON0**

Address: Operational Base + offset (0x01E0)

Bit	Attr	Reset Value	Description
31:16	WO	0x0000	write_enable Write enable for lower 16 bits, each bit is individual. 1'b0: Write access disable 1'b1: Write access enable
15	RW	0x0	npll_bp BYPASS: Bypass mode control signal. 1'b1: bypass mode is enabled. (FOUT = FIN). 1'b0: PLL operates normally.
14:10	RO	0x00	reserved
9:0	RW	0x000	npll_m M: Division value of the 10-bit programmable main-divider. PLL has to be reset if M value is changed. 64 <= pll_m <= 1023

**CRU NPLL CON1**

Address: Operational Base + offset (0x01E4)

Bit	Attr	Reset Value	Description
31:16	WO	0x0000	write_enable Write enable for lower 16 bits, each bit is individual. 1'b0: Write access disable 1'b1: Write access enable
15:14	RO	0x0	reserved
13	RW	0x0	npll_resetb RESETB: Power down control signal. 1'b0: RESETB=0 from 1, PLL starts its normal operation after lock time. 1'b1: RESETB=1, power down mode is enabled and all digital blocks are reset.
12:9	RO	0x0	reserved
8:6	RW	0x0	npll_s Division value of the 3-bit programmable scaler. 0 <= pll_s <= 6
5:0	RW	0x00	npll_p P: Division value of the 6-bit programmable pre-divider. PLL has to be reset if P value is changed. 1 <= pll_p <= 63

**CRU NPLL CON4**

Address: Operational Base + offset (0x01F0)

Bit	Attr	Reset Value	Description
31:16	WO	0x0000	write_enable Write enable for lower 16 bits, each bit is individual. 1'b0: Write access disable 1'b1: Write access enable
15	RW	0x0	npll_fsel FSEL: Monitoring pin. 1'b0: FEED_OUT = FREE. 1'b1: FEED_OUT = FEED.
14	RW	0x0	npll_feed_en FEED_EN: Monitoring pin. 1'b0: FEED_OUT is disabled. 1'b1: FEED_OUT is enabled.
13:9	RO	0x00	reserved

Bit	Attr	Reset Value	Description
8:4	RW	0x00	npll_extafc EXTAFC: Monitoring pin. If pll_afc_enb=1, AFC is disabled and VCO is calibrated manually by pll_extafc[4:0] for the test of VCO range.
3	RW	0x0	npll_afc_enb AFC_ENB: Monitoring pin. 1'b0: AFC is enabled and VCO is calibrated automatically. 1'b1: AFC is disabled and VCO is calibrated manually by pll_extafc[4:0] for the test of VCO range.
2:1	RW	0x1	npll_icp Charge-pump current control signal.
0	RO	0x0	reserved

**CRU NPLL CON5**

Address: Operational Base + offset (0x01F4)

Bit	Attr	Reset Value	Description
31:16	WO	0x0000	write_enable Write enable for lower 16 bits, each bit is individual. 1'b0: Write access disable 1'b1: Write access enable
15:11	RO	0x00	reserved
10:9	RW	0x3	npll_lock_con_dly LOCK_CON_DLY: Lock detector setting of the detection resolution.
8:7	RW	0x3	npll_lock_con_out LOCK_CON_OUT: Lock detector setting of the output margin.
6:5	RW	0x3	npll_lock_con_in LOCK_CON_IN: Lock detector setting of the input margin.
4:1	RO	0x0	reserved
0	RW	0x0	npll_fout_mask FOUT_MASK: Scaler's re-initialization time control pin.

**CRU NPLL CON6**

Address: Operational Base + offset (0x01F8)

Bit	Attr	Reset Value	Description
31:16	WO	0x0000	write_enable Write enable for lower 16 bits, each bit is individual. 1'b0: Write access disable 1'b1: Write access enable
15	RW	0x0	npll_lock LOCK: PLL lock flag. 1'b0: PLL is unlocked. 1'b1: PLL is locked.
14:10	RW	0x00	npll_afc_code AFC_CODE: Monitoring pin. Output code of AFC(5 bits).
9:0	RO	0x000	reserved

**CRU MODE CON00**

Address: Operational Base + offset (0x0280)

Bit	Attr	Reset Value	Description
31:16	WO	0x0000	write_enable Write enable for lower 16 bits, each bit is individual. 1'b0: Write access disable 1'b1: Write access enable

Bit	Attr	Reset Value	Description
15:10	RO	0x00	reserved
9:8	RW	0x0	clk_cppll_mode clk_cppll_mux clock mux. 2'b00: xin_osc0_func 2'b01: clk_cppll 2'b10: clk_deepslow
7:6	RW	0x0	clk_aupll_mode clk_aupll_mux clock mux. 2'b00: xin_osc0_func 2'b01: clk_aupll 2'b10: clk_deepslow
5:4	RW	0x0	clk_v0pll_mode clk_v0pll_mux clock mux. 2'b00: xin_osc0_func 2'b01: clk_v0pll 2'b10: clk_deepslow
3:2	RW	0x0	clk_gppll_mode clk_gppll_mux clock mux. 2'b00: xin_osc0_func 2'b01: clk_gppll 2'b10: clk_deepslow
1:0	RW	0x0	clk_nppll_mode clk_nppll_mux clock mux. 2'b00: xin_osc0_func 2'b01: clk_nppll 2'b10: clk_deepslow

**CRU CLKSEL CON00**

Address: Operational Base + offset (0x0300)

Bit	Attr	Reset Value	Description
31:16	WO	0x0000	write_enable Write enable for lower 16 bits, each bit is individual. 1'b0: Write access disable 1'b1: Write access enable
15:12	RO	0x0	reserved
11	RW	0x1	clk_matrix_100m_src_sel clk_matrix_100m_src clock mux. 1'b0: clk_gppll_mux 1'b1: clk_cppll_mux
10:6	RW	0x0e	clk_matrix_100m_src_div Divide clk_matrix_100m_src by (div_con + 1).
5	RW	0x1	clk_matrix_50m_src_sel clk_matrix_50m_src clock mux. 1'b0: clk_gppll_mux 1'b1: clk_cppll_mux
4:0	RW	0x1d	clk_matrix_50m_src_div Divide clk_matrix_50m_src by (div_con + 1).

**CRU CLKSEL CON01**

Address: Operational Base + offset (0x0304)

Bit	Attr	Reset Value	Description
31:16	WO	0x0000	write_enable Write enable for lower 16 bits, each bit is individual. 1'b0: Write access disable 1'b1: Write access enable

Bit	Attr	Reset Value	Description
15:12	RO	0x0	reserved
11	RW	0x0	clk_matrix_200m_src_sel clk_matrix_200m_src clock mux. 1'b0: clk_gppll_mux 1'b1: clk_cppll_mux
10:6	RW	0x05	clk_matrix_200m_src_div Divide clk_matrix_200m_src by (div_con + 1).
5	RW	0x1	clk_matrix_150m_src_sel clk_matrix_150m_src clock mux. 1'b0: clk_gppll_mux 1'b1: clk_cppll_mux
4:0	RW	0x09	clk_matrix_150m_src_div Divide clk_matrix_150m_src by (div_con + 1).

**CRU\_CLKSEL\_CON02**

Address: Operational Base + offset (0x0308)

Bit	Attr	Reset Value	Description
31:16	WO	0x0000	write_enable Write enable for lower 16 bits, each bit is individual. 1'b0: Write access disable 1'b1: Write access enable
15:12	RO	0x0	reserved
11	RW	0x1	clk_matrix_300m_src_sel clk_matrix_300m_src clock mux. 1'b0: clk_gppll_mux 1'b1: clk_cppll_mux
10:6	RW	0x04	clk_matrix_300m_src_div Divide clk_matrix_300m_src by (div_con + 1).
5	RW	0x1	clk_matrix_250m_src_sel clk_matrix_250m_src clock mux. 1'b0: clk_gppll_mux 1'b1: clk_cppll_mux
4:0	RW	0x05	clk_matrix_250m_src_div Divide clk_matrix_250m_src by (div_con + 1).

**CRU\_CLKSEL\_CON03**

Address: Operational Base + offset (0x030C)

Bit	Attr	Reset Value	Description
31:16	WO	0x0000	write_enable Write enable for lower 16 bits, each bit is individual. 1'b0: Write access disable 1'b1: Write access enable
15:12	RO	0x0	reserved
11	RW	0x0	clk_matrix_400m_src_sel clk_matrix_400m_src clock mux. 1'b0: clk_gppll_mux 1'b1: clk_cppll_mux
10:6	RW	0x02	clk_matrix_400m_src_div Divide clk_matrix_400m_src by (div_con + 1).
5	RW	0x1	clk_matrix_350m_src_sel clk_matrix_350m_src clock mux. 1'b0: clk_gppll_mux 1'b1: clk_spll_mux
4:0	RW	0x01	clk_matrix_350m_src_div Divide clk_matrix_350m_src by (div_con + 1).

**CRU CLKSEL CON04**

Address: Operational Base + offset (0x0310)

Bit	Attr	Reset Value	Description
31:16	WO	0x0000	write_enable Write enable for lower 16 bits, each bit is individual. 1'b0: Write access disable 1'b1: Write access enable
15:12	RO	0x0	reserved
11	RW	0x1	clk_matrix_500m_src_sel clk_matrix_500m_src clock mux. 1'b0: clk_gppll_mux 1'b1: clk_cppll_mux
10:6	RW	0x02	clk_matrix_500m_src_div Divide clk_matrix_500m_src by (div_con + 1).
5	RW	0x0	clk_matrix_450m_src_sel clk_matrix_450m_src clock mux. 1'b0: clk_gppll_mux 1'b1: clk_cppll_mux
4:0	RW	0x01	clk_matrix_450m_src_div NP5 division register. Divide clk_matrix_450m_src by ((2 * div_con + 3) / 2).

**CRU CLKSEL CON05**

Address: Operational Base + offset (0x0314)

Bit	Attr	Reset Value	Description
31:16	WO	0x0000	write_enable Write enable for lower 16 bits, each bit is individual. 1'b0: Write access disable 1'b1: Write access enable
15:12	RO	0x0	reserved
11	RW	0x1	clk_matrix_650m_src_sel clk_matrix_650m_src clock mux. 1'b0: clk_gppll_mux 1'b1: clk_lppll_mux
10:6	RW	0x02	clk_matrix_650m_src_div Divide clk_matrix_650m_src by (div_con + 1).
5	RW	0x0	clk_matrix_600m_src_sel clk_matrix_600m_src clock mux. 1'b0: clk_gppll_mux 1'b1: clk_cppll_mux
4:0	RW	0x01	clk_matrix_600m_src_div Divide clk_matrix_600m_src by (div_con + 1).

**CRU CLKSEL CON06**

Address: Operational Base + offset (0x0318)

Bit	Attr	Reset Value	Description
31:16	WO	0x0000	write_enable Write enable for lower 16 bits, each bit is individual. 1'b0: Write access disable 1'b1: Write access enable
15:12	RO	0x0	reserved
11	RW	0x1	clk_matrix_800m_src_sel clk_matrix_800m_src clock mux. 1'b0: clk_gppll_mux 1'b1: clk_auppll_mux

Bit	Attr	Reset Value	Description
10:6	RW	0x00	clk_matrix_800m_src_div Divide clk_matrix_800m_src by (div_con + 1).
5	RW	0x1	clk_matrix_700m_src_sel clk_matrix_700m_src clock mux. 1'b0: clk_gppll_mux 1'b1: clk_spll_mux
4:0	RW	0x00	clk_matrix_700m_src_div Divide clk_matrix_700m_src by (div_con + 1).

**CRU CLKSEL CON07**

Address: Operational Base + offset (0x031C)

Bit	Attr	Reset Value	Description
31:16	WO	0x0000	write_enable Write enable for lower 16 bits, each bit is individual. 1'b0: Write access disable 1'b1: Write access enable
15:13	RO	0x0	reserved
12	RW	0x0	clk_matrix_1200m_src_sel clk_matrix_1200m_src clock mux. 1'b0: clk_gppll_mux 1'b1: clk_cppll_mux
11:7	RW	0x00	clk_matrix_1200m_src_div Divide clk_matrix_1200m_src by (div_con + 1).
6:5	RW	0x1	clk_matrix_1000m_src_sel clk_matrix_1000m_src clock mux. 2'b00: clk_gppll_mux 2'b01: clk_cppll_mux 2'b10: clk_nppll_mux 2'b11: clk_v0pll_mux
4:0	RW	0x00	clk_matrix_1000m_src_div NP5 division register. Divide clk_matrix_1000m_src by ((2 * div_con + 3) / 2).

**CRU CLKSEL CON08**

Address: Operational Base + offset (0x0320)

Bit	Attr	Reset Value	Description
31:16	WO	0x0000	write_enable Write enable for lower 16 bits, each bit is individual. 1'b0: Write access disable 1'b1: Write access enable
15	RO	0x0	reserved
14	RW	0x0	ack_low_top_root_sel ack_low_top_root clock mux. 1'b0: clk_gppll_mux 1'b1: clk_cppll_mux
13:9	RW	0x02	ack_low_top_root_div Divide ack_low_top_root by (div_con + 1).
8:7	RW	0x0	pclk_top_root_sel pclk_top_root clock mux. 2'b00: clk_matrix_100m_src 2'b01: clk_matrix_50m_src 2'b10: xin_osc0_func

**RK3588 TRM-Part1**

Bit	Attr	Reset Value	Description
6:5	RW	0x1	aclk_top_root_sel aclk_top_root clock mux. 2'b00: clk_gpll_mux 2'b01: clk_cppll_mux 2'b10: clk_aupll_mux
4:0	RW	0x01	aclk_top_root_div Divide aclk_top_root by (div_con + 1).

**CRU\_CLKSEL\_CON09**

Address: Operational Base + offset (0x0324)

Bit	Attr	Reset Value	Description
31:16	WO	0x0000	write_enable Write enable for lower 16 bits, each bit is individual. 1'b0: Write access disable 1'b1: Write access enable
15:10	RO	0x00	reserved
9:8	RW	0x0	aclk_top_s400_root_sel aclk_top_s400_root clock mux. 2'b00: clk_matrix_400m_src 2'b01: clk_matrix_200m_src 2'b10: clk_matrix_100m_src 2'b11: xin_osc0_func
7:6	RW	0x0	aclk_top_s200_root_sel aclk_top_s200_root clock mux. 2'b00: clk_matrix_200m_src 2'b01: clk_matrix_100m_src 2'b10: clk_matrix_50m_src 2'b11: xin_osc0_func
5:4	RW	0x0	aclk_top_m400_root_sel aclk_top_m400_root clock mux. 2'b00: clk_matrix_400m_src 2'b01: clk_matrix_200m_src 2'b10: clk_matrix_100m_src 2'b11: xin_osc0_func
3:2	RW	0x0	aclk_top_m500_root_sel aclk_top_m500_root clock mux. 2'b00: clk_matrix_500m_src 2'b01: clk_matrix_300m_src 2'b10: clk_matrix_100m_src 2'b11: xin_osc0_func
1:0	RW	0x0	aclk_top_m300_root_sel aclk_top_m300_root clock mux. 2'b00: clk_matrix_300m_src 2'b01: clk_matrix_200m_src 2'b10: clk_matrix_100m_src 2'b11: xin_osc0_func

**CRU\_CLKSEL\_CON10**

Address: Operational Base + offset (0x0328)

Bit	Attr	Reset Value	Description
31:16	WO	0x0000	write_enable Write enable for lower 16 bits, each bit is individual. 1'b0: Write access disable 1'b1: Write access enable
15	RO	0x0	reserved



Bit	Attr	Reset Value	Description
14:12	RW	0x3	clk_testout_grp0_sel clk_testout_grp0 clock mux. 3'b000: clk_ref_pipe_phy0 3'b001: clk_ref_pipe_phy1 3'b010: clk_ref_pipe_phy2 3'b011: clk_testout_top 3'b100: clk_testout_gpu 3'b101: clk_testout_npu
11:9	RW	0x0	clk_testout_sel clk_testout clock mux. 3'b000: clk_testout_grp0 3'b001: clk_testout_b0 3'b010: clk_testout_b1 3'b011: clk_testout_l 3'b100: clk_testout_ddr01 3'b101: clk_testout_ddr23
8:6	RW	0x3	clk_testout_top_sel clk_testout_top clock mux. 3'b000: clk_gppll_mux 3'b001: clk_cppll_mux 3'b010: clk_aupll_mux 3'b011: clk_spll_mux 3'b100: clk_v0pll_mux 3'b101: clk_deepslow
5:0	RW	0x3f	clk_testout_top_div Divide clk_testout_top by (div_con + 1).

**CRU CLKSEL CON15**

Address: Operational Base + offset (0x033C)

Bit	Attr	Reset Value	Description
31:16	WO	0x0000	write_enable Write enable for lower 16 bits, each bit is individual. 1'b0: Write access disable 1'b1: Write access enable
15	RW	0x1	refclko25m_eth0_out_sel refclko25m_eth0_out clock mux. 1'b0: clk_gppll_mux 1'b1: clk_cppll_mux
14:8	RW	0x3b	refclko25m_eth0_out_div Divide refclko25m_eth0_out by (div_con + 1).
7	RW	0x1	mclk_gmac0_out_sel mclk_gmac0_out clock mux. 1'b0: clk_gppll_mux 1'b1: clk_cppll_mux
6:0	RW	0x1d	mclk_gmac0_out_div Divide mclk_gmac0_out by (div_con + 1).

**CRU CLKSEL CON16**

Address: Operational Base + offset (0x0340)

Bit	Attr	Reset Value	Description
31:16	WO	0x0000	write_enable Write enable for lower 16 bits, each bit is individual. 1'b0: Write access disable 1'b1: Write access enable
15:8	RO	0x00	reserved

Bit	Attr	Reset Value	Description
7	RW	0x1	refclko25m_eth1_out_sel refclko25m_eth1_out clock mux. 1'b0: clk_gppll_mux 1'b1: clk_cppll_mux
6:0	RW	0x3b	refclko25m_eth1_out_div Divide refclko25m_eth1_out by (div_con + 1).

**CRU\_CLKSEL\_CON17**

Address: Operational Base + offset (0x0344)

Bit	Attr	Reset Value	Description
31:16	WO	0x0000	write_enable Write enable for lower 16 bits, each bit is individual. 1'b0: Write access disable 1'b1: Write access enable
15:10	RO	0x00	reserved
9:8	RW	0x2	clk_cifout_out_sel clk_cifout_out clock mux. 2'b00: clk_gppll_mux 2'b01: clk_cppll_mux 2'b10: xin_osc0_func 2'b11: clk_sppll_mux
7:0	RW	0x00	clk_cifout_out_div Divide clk_cifout_out by (div_con + 1).

**CRU\_CLKSEL\_CON18**

Address: Operational Base + offset (0x0348)

Bit	Attr	Reset Value	Description
31:16	WO	0x0000	write_enable Write enable for lower 16 bits, each bit is individual. 1'b0: Write access disable 1'b1: Write access enable
15:10	RO	0x00	reserved
9:8	RW	0x0	clk_mipi_camaraout_m0_sel clk_mipi_camaraout_m0 clock mux. 2'b00: xin_osc0_func 2'b01: clk_sppll_mux 2'b10: clk_gppll_mux 2'b11: clk_cppll_mux
7:0	RW	0x00	clk_mipi_camaraout_m0_div Divide clk_mipi_camaraout_m0 by (div_con + 1).

**CRU\_CLKSEL\_CON19**

Address: Operational Base + offset (0x034C)

Bit	Attr	Reset Value	Description
31:16	WO	0x0000	write_enable Write enable for lower 16 bits, each bit is individual. 1'b0: Write access disable 1'b1: Write access enable
15:10	RO	0x00	reserved
9:8	RW	0x0	clk_mipi_camaraout_m1_sel clk_mipi_camaraout_m1 clock mux. 2'b00: xin_osc0_func 2'b01: clk_sppll_mux 2'b10: clk_gppll_mux 2'b11: clk_cppll_mux

Bit	Attr	Reset Value	Description
7:0	RW	0x00	clk_mipi_camaraout_m1_div Divide clk_mipi_camaraout_m1 by (div_con + 1).

**CRU CLKSEL CON20**

Address: Operational Base + offset (0x0350)

Bit	Attr	Reset Value	Description
31:16	WO	0x0000	write_enable Write enable for lower 16 bits, each bit is individual. 1'b0: Write access disable 1'b1: Write access enable
15:10	RO	0x00	reserved
9:8	RW	0x0	clk_mipi_camaraout_m2_sel clk_mipi_camaraout_m2 clock mux. 2'b00: xin_osc0_func 2'b01: clk_sppll_mux 2'b10: clk_gppll_mux 2'b11: clk_cppll_mux
7:0	RW	0x00	clk_mipi_camaraout_m2_div Divide clk_mipi_camaraout_m2 by (div_con + 1).

**CRU CLKSEL CON21**

Address: Operational Base + offset (0x0354)

Bit	Attr	Reset Value	Description
31:16	WO	0x0000	write_enable Write enable for lower 16 bits, each bit is individual. 1'b0: Write access disable 1'b1: Write access enable
15:10	RO	0x00	reserved
9:8	RW	0x0	clk_mipi_camaraout_m3_sel clk_mipi_camaraout_m3 clock mux. 2'b00: xin_osc0_func 2'b01: clk_sppll_mux 2'b10: clk_gppll_mux 2'b11: clk_cppll_mux
7:0	RW	0x00	clk_mipi_camaraout_m3_div Divide clk_mipi_camaraout_m3 by (div_con + 1).

**CRU CLKSEL CON22**

Address: Operational Base + offset (0x0358)

Bit	Attr	Reset Value	Description
31:16	WO	0x0000	write_enable Write enable for lower 16 bits, each bit is individual. 1'b0: Write access disable 1'b1: Write access enable
15:10	RO	0x00	reserved
9:8	RW	0x0	clk_mipi_camaraout_m4_sel clk_mipi_camaraout_m4 clock mux. 2'b00: xin_osc0_func 2'b01: clk_sppll_mux 2'b10: clk_gppll_mux 2'b11: clk_cppll_mux
7:0	RW	0x00	clk_mipi_camaraout_m4_div Divide clk_mipi_camaraout_m4 by (div_con + 1).

**CRU CLKSEL CON24**

## RK3588 TRM-Part1

Address: Operational Base + offset (0x0360)

Bit	Attr	Reset Value	Description
31:16	WO	0x0000	write_enable Write enable for lower 16 bits, each bit is individual. 1'b0: Write access disable 1'b1: Write access enable
15:10	RO	0x00	reserved
9	RW	0x0	clk_i2s0_8ch_tx_src_sel clk_i2s0_8ch_tx_src clock mux. 1'b0: clk_gppll_mux 1'b1: clk_aupll_mux
8:4	RW	0x01	clk_i2s0_8ch_tx_src_div Divide clk_i2s0_8ch_tx_src by (div_con + 1).
3:2	RW	0x0	pclk_audio_root_sel pclk_audio_root clock mux. 2'b00: clk_matrix_100m_src 2'b01: clk_matrix_50m_src 2'b10: xin_osc0_func
1:0	RW	0x0	hclk_audio_root_sel hclk_audio_root clock mux. 2'b00: clk_matrix_200m_src 2'b01: clk_matrix_100m_src 2'b10: clk_matrix_50m_src 2'b11: xin_osc0_func

### CRU\_CLKSEL\_CON25

Address: Operational Base + offset (0x0364)

Bit	Attr	Reset Value	Description
31:0	RW	0x03355460	clk_i2s0_8ch_tx_frac_div clk_i2s0_8ch_tx_frac fraction division register. High 16-bit for numerator Low 16-bit for denominator

### CRU\_CLKSEL\_CON26

Address: Operational Base + offset (0x0368)

Bit	Attr	Reset Value	Description
31:16	WO	0x0000	write_enable Write enable for lower 16 bits, each bit is individual. 1'b0: Write access disable 1'b1: Write access enable
15:8	RO	0x00	reserved
7	RW	0x0	clk_i2s0_8ch_rx_src_sel clk_i2s0_8ch_rx_src clock mux. 1'b0: clk_gppll_mux 1'b1: clk_aupll_mux
6:2	RW	0x01	clk_i2s0_8ch_rx_src_div Divide clk_i2s0_8ch_rx_src by (div_con + 1).
1:0	RW	0x3	mclk_i2s0_8ch_tx_sel mclk_i2s0_8ch_tx clock mux. 2'b00: clk_i2s0_8ch_tx_src 2'b01: clk_i2s0_8ch_tx_frac 2'b10: i2s0_mclkin 2'b11: xin_osc0_half

### CRU\_CLKSEL\_CON27

Address: Operational Base + offset (0x036C)

Bit	Attr	Reset Value	Description
31:0	RW	0x03355460	clk_i2s0_8ch_rx_frac_div clk_i2s0_8ch_rx_frac fraction division register. High 16-bit for numerator Low 16-bit for denominator

**CRU\_CLKSEL\_CON28**

Address: Operational Base + offset (0x0370)

Bit	Attr	Reset Value	Description
31:16	WO	0x0000	write_enable Write enable for lower 16 bits, each bit is individual. 1'b0: Write access disable 1'b1: Write access enable
15:10	RO	0x00	reserved
9	RW	0x0	clk_i2s2_2ch_src_sel clk_i2s2_2ch_src clock mux. 1'b0: clk_gpll_mux 1'b1: clk_aupll_mux
8:4	RW	0x01	clk_i2s2_2ch_src_div Divide clk_i2s2_2ch_src by (div_con + 1).
3:2	RW	0x2	i2s0_8ch_mclkout_sel i2s0_8ch_mclkout clock mux. 2'b00: mclk_i2s0_8ch_tx 2'b01: mclk_i2s0_8ch_rx 2'b10: xin_osc0_half
1:0	RW	0x3	mclk_i2s0_8ch_rx_sel mclk_i2s0_8ch_rx clock mux. 2'b00: clk_i2s0_8ch_rx_src 2'b01: clk_i2s0_8ch_rx_frac 2'b10: i2s0_mclk_in 2'b11: xin_osc0_half

**CRU\_CLKSEL\_CON29**

Address: Operational Base + offset (0x0374)

Bit	Attr	Reset Value	Description
31:0	RW	0x03355460	clk_i2s2_2ch_frac_div clk_i2s2_2ch_frac fraction division register. High 16-bit for numerator Low 16-bit for denominator

**CRU\_CLKSEL\_CON30**

Address: Operational Base + offset (0x0378)

Bit	Attr	Reset Value	Description
31:16	WO	0x0000	write_enable Write enable for lower 16 bits, each bit is individual. 1'b0: Write access disable 1'b1: Write access enable
15:9	RO	0x00	reserved
8	RW	0x0	clk_i2s3_2ch_src_sel clk_i2s3_2ch_src clock mux. 1'b0: clk_gpll_mux 1'b1: clk_aupll_mux
7:3	RW	0x01	clk_i2s3_2ch_src_div Divide clk_i2s3_2ch_src by (div_con + 1).

Bit	Attr	Reset Value	Description
2	RW	0x1	i2s2_2ch_mclkout_sel i2s2_2ch_mclkout clock mux. 1'b0: mclk_i2s2_2ch 1'b1: xin_osc0_half
1:0	RW	0x3	mclk_i2s2_2ch_sel mclk_i2s2_2ch clock mux. 2'b00: clk_i2s2_2ch_src 2'b01: clk_i2s2_2ch_frac 2'b10: i2s2_mclkin 2'b11: xin_osc0_half

**CRU CLKSEL CON31**

Address: Operational Base + offset (0x037C)

Bit	Attr	Reset Value	Description
31:0	RW	0x03355460	clk_i2s3_2ch_frac_div clk_i2s3_2ch_frac fraction division register. High 16-bit for numerator Low 16-bit for denominator

**CRU CLKSEL CON32**

Address: Operational Base + offset (0x0380)

Bit	Attr	Reset Value	Description
31:16	WO	0x0000	write_enable Write enable for lower 16 bits, each bit is individual. 1'b0: Write access disable 1'b1: Write access enable
15:9	RO	0x00	reserved
8	RW	0x0	clk_spdif0_src_sel clk_spdif0_src clock mux. 1'b0: clk_gppll_mux 1'b1: clk_aupll_mux
7:3	RW	0x01	clk_spdif0_src_div Divide clk_spdif0_src by (div_con + 1).
2	RW	0x1	i2s3_2ch_mclkout_sel i2s3_2ch_mclkout clock mux. 1'b0: mclk_i2s3_2ch 1'b1: xin_osc0_half
1:0	RW	0x3	mclk_i2s3_2ch_sel mclk_i2s3_2ch clock mux. 2'b00: clk_i2s3_2ch_src 2'b01: clk_i2s3_2ch_frac 2'b10: i2s3_mclkin 2'b11: xin_osc0_half

**CRU CLKSEL CON33**

Address: Operational Base + offset (0x0384)

Bit	Attr	Reset Value	Description
31:0	RW	0x03355460	clk_spdif0_frac_div clk_spdif0_frac fraction division register. High 16-bit for numerator Low 16-bit for denominator

**CRU CLKSEL CON34**

Address: Operational Base + offset (0x0388)

Bit	Attr	Reset Value	Description
31:16	WO	0x0000	write_enable Write enable for lower 16 bits, each bit is individual. 1'b0: Write access disable 1'b1: Write access enable
15:8	RO	0x00	reserved
7	RW	0x0	clk_spdif1_src_sel clk_spdif1_src clock mux. 1'b0: clk_gpll_mux 1'b1: clk_aupll_mux
6:2	RW	0x01	clk_spdif1_src_div Divide clk_spdif1_src by (div_con + 1).
1:0	RW	0x2	mclk_spdif0_sel mclk_spdif0 clock mux. 2'b00: clk_spdif0_src 2'b01: clk_spdif0_frac 2'b10: xin_osc0_half

**CRU CLKSEL CON35**

Address: Operational Base + offset (0x038C)

Bit	Attr	Reset Value	Description
31:0	RW	0x03355460	clk_spdif1_frac_div clk_spdif1_frac fraction division register. High 16-bit for numerator Low 16-bit for denominator

**CRU CLKSEL CON36**

Address: Operational Base + offset (0x0390)

Bit	Attr	Reset Value	Description
31:16	WO	0x0000	write_enable Write enable for lower 16 bits, each bit is individual. 1'b0: Write access disable 1'b1: Write access enable
15:9	RO	0x00	reserved
8:7	RW	0x1	mclk_pdm1_sel mclk_pdm1 clock mux. 2'b00: clk_gpll_mux 2'b01: clk_cppll_mux 2'b10: clk_aupll_mux
6:2	RW	0x04	mclk_pdm1_div Divide mclk_pdm1 by (div_con + 1).
1:0	RW	0x2	mclk_spdif1_sel mclk_spdif1 clock mux. 2'b00: clk_spdif1_src 2'b01: clk_spdif1_frac 2'b10: xin_osc0_half

**CRU CLKSEL CON38**

Address: Operational Base + offset (0x0398)

Bit	Attr	Reset Value	Description
31:16	WO	0x0000	write_enable Write enable for lower 16 bits, each bit is individual. 1'b0: Write access disable 1'b1: Write access enable
15:14	RO	0x0	reserved

Bit	Attr	Reset Value	Description
13	RW	0x0	clk_i2c8_sel clk_i2c8 clock mux. 1'b0: clk_matrix_200m_src 1'b1: clk_matrix_100m_src
12	RW	0x0	clk_i2c7_sel clk_i2c7 clock mux. 1'b0: clk_matrix_200m_src 1'b1: clk_matrix_100m_src
11	RW	0x0	clk_i2c6_sel clk_i2c6 clock mux. 1'b0: clk_matrix_200m_src 1'b1: clk_matrix_100m_src
10	RW	0x0	clk_i2c5_sel clk_i2c5 clock mux. 1'b0: clk_matrix_200m_src 1'b1: clk_matrix_100m_src
9	RW	0x0	clk_i2c4_sel clk_i2c4 clock mux. 1'b0: clk_matrix_200m_src 1'b1: clk_matrix_100m_src
8	RW	0x0	clk_i2c3_sel clk_i2c3 clock mux. 1'b0: clk_matrix_200m_src 1'b1: clk_matrix_100m_src
7	RW	0x0	clk_i2c2_sel clk_i2c2 clock mux. 1'b0: clk_matrix_200m_src 1'b1: clk_matrix_100m_src
6	RW	0x0	clk_i2c1_sel clk_i2c1 clock mux. 1'b0: clk_matrix_200m_src 1'b1: clk_matrix_100m_src
5	RW	0x1	aclk_bus_root_sel aclk_bus_root clock mux. 1'b0: clk_gppll_mux 1'b1: clk_cppll_mux
4:0	RW	0x03	aclk_bus_root_div Divide aclk_bus_root by (div_con + 1).

**CRU CLKSEL CON39**

Address: Operational Base + offset (0x039C)

Bit	Attr	Reset Value	Description
31:16	WO	0x0000	write_enable Write enable for lower 16 bits, each bit is individual. 1'b0: Write access disable 1'b1: Write access enable
15:12	RO	0x0	reserved
11	RW	0x0	clk_can1_sel clk_can1 clock mux. 1'b0: clk_gppll_mux 1'b1: clk_cppll_mux
10:6	RW	0x0b	clk_can1_div Divide clk_can1 by (div_con + 1).



Bit	Attr	Reset Value	Description
5	RW	0x0	clk_can0_sel clk_can0 clock mux. 1'b0: clk_gppll_mux 1'b1: clk_cppll_mux
4:0	RW	0x0b	clk_can0_div Divide clk_can0 by (div_con + 1).

**CRU\_CLKSEL\_CON40**

Address: Operational Base + offset (0x03A0)

Bit	Attr	Reset Value	Description
31:16	WO	0x0000	write_enable Write enable for lower 16 bits, each bit is individual. 1'b0: Write access disable 1'b1: Write access enable
15	RO	0x0	reserved
14	RW	0x0	clk_saradc_sel clk_saradc clock mux. 1'b0: clk_gppll_mux 1'b1: xin_osc0_func
13:6	RW	0x3b	clk_saradc_div Divide clk_saradc by (div_con + 1).
5	RW	0x0	clk_can2_sel clk_can2 clock mux. 1'b0: clk_gppll_mux 1'b1: clk_cppll_mux
4:0	RW	0x0b	clk_can2_div Divide clk_can2 by (div_con + 1).

**CRU\_CLKSEL\_CON41**

Address: Operational Base + offset (0x03A4)

Bit	Attr	Reset Value	Description
31:16	WO	0x0000	write_enable Write enable for lower 16 bits, each bit is individual. 1'b0: Write access disable 1'b1: Write access enable
15	RO	0x0	reserved
14	RW	0x0	clk_uart1_src_sel clk_uart1_src clock mux. 1'b0: clk_gppll_mux 1'b1: clk_cppll_mux
13:9	RW	0x01	clk_uart1_src_div Divide clk_uart1_src by (div_con + 1).
8	RW	0x1	clk_tsadc_sel clk_tsadc clock mux. 1'b0: clk_gppll_mux 1'b1: xin_osc0_func
7:0	RW	0x0b	clk_tsadc_div Divide clk_tsadc by (div_con + 1).

**CRU\_CLKSEL\_CON42**

Address: Operational Base + offset (0x03A8)

**RK3588 TRM-Part1**

Bit	Attr	Reset Value	Description
31:0	RW	0x001403de	clk_uart1_frac_div clk_uart1_frac fraction division register. High 16-bit for numerator Low 16-bit for denominator

**CRU CLKSEL CON43**

Address: Operational Base + offset (0x03AC)

Bit	Attr	Reset Value	Description
31:16	WO	0x0000	write_enable Write enable for lower 16 bits, each bit is individual. 1'b0: Write access disable 1'b1: Write access enable
15:8	RO	0x00	reserved
7	RW	0x0	clk_uart2_src_sel clk_uart2_src clock mux. 1'b0: clk_gppll_mux 1'b1: clk_cppll_mux
6:2	RW	0x01	clk_uart2_src_div Divide clk_uart2_src by (div_con + 1).
1:0	RW	0x2	sclk_uart1_sel sclk_uart1 clock mux. 2'b00: clk_uart1_src 2'b01: clk_uart1_frac 2'b10: xin_osc0_func

**CRU CLKSEL CON44**

Address: Operational Base + offset (0x03B0)

Bit	Attr	Reset Value	Description
31:0	RW	0x001403de	clk_uart2_frac_div clk_uart2_frac fraction division register. High 16-bit for numerator Low 16-bit for denominator

**CRU CLKSEL CON45**

Address: Operational Base + offset (0x03B4)

Bit	Attr	Reset Value	Description
31:16	WO	0x0000	write_enable Write enable for lower 16 bits, each bit is individual. 1'b0: Write access disable 1'b1: Write access enable
15:8	RO	0x00	reserved
7	RW	0x0	clk_uart3_src_sel clk_uart3_src clock mux. 1'b0: clk_gppll_mux 1'b1: clk_cppll_mux
6:2	RW	0x01	clk_uart3_src_div Divide clk_uart3_src by (div_con + 1).
1:0	RW	0x2	sclk_uart2_sel sclk_uart2 clock mux. 2'b00: clk_uart2_src 2'b01: clk_uart2_frac 2'b10: xin_osc0_func

**CRU CLKSEL CON46**

Address: Operational Base + offset (0x03B8)

**RK3588 TRM-Part1**

Bit	Attr	Reset Value	Description
31:0	RW	0x001403de	clk_uart3_frac_div clk_uart3_frac fraction division register. High 16-bit for numerator Low 16-bit for denominator

**CRU CLKSEL CON47**

Address: Operational Base + offset (0x03BC)

Bit	Attr	Reset Value	Description
31:16	WO	0x0000	write_enable Write enable for lower 16 bits, each bit is individual. 1'b0: Write access disable 1'b1: Write access enable
15:8	RO	0x00	reserved
7	RW	0x0	clk_uart4_src_sel clk_uart4_src clock mux. 1'b0: clk_gppll_mux 1'b1: clk_cppll_mux
6:2	RW	0x01	clk_uart4_src_div Divide clk_uart4_src by (div_con + 1).
1:0	RW	0x2	sclk_uart3_sel sclk_uart3 clock mux. 2'b00: clk_uart3_src 2'b01: clk_uart3_frac 2'b10: xin_osc0_func

**CRU CLKSEL CON48**

Address: Operational Base + offset (0x03C0)

Bit	Attr	Reset Value	Description
31:0	RW	0x001403de	clk_uart4_frac_div clk_uart4_frac fraction division register. High 16-bit for numerator Low 16-bit for denominator

**CRU CLKSEL CON49**

Address: Operational Base + offset (0x03C4)

Bit	Attr	Reset Value	Description
31:16	WO	0x0000	write_enable Write enable for lower 16 bits, each bit is individual. 1'b0: Write access disable 1'b1: Write access enable
15:8	RO	0x00	reserved
7	RW	0x0	clk_uart5_src_sel clk_uart5_src clock mux. 1'b0: clk_gppll_mux 1'b1: clk_cppll_mux
6:2	RW	0x01	clk_uart5_src_div Divide clk_uart5_src by (div_con + 1).
1:0	RW	0x2	sclk_uart4_sel sclk_uart4 clock mux. 2'b00: clk_uart4_src 2'b01: clk_uart4_frac 2'b10: xin_osc0_func

**CRU CLKSEL CON50**

Address: Operational Base + offset (0x03C8)

Bit	Attr	Reset Value	Description
31:0	RW	0x001403de	clk_uart5_frac_div clk_uart5_frac fraction division register. High 16-bit for numerator Low 16-bit for denominator

**CRU\_CLKSEL\_CON51**

Address: Operational Base + offset (0x03CC)

Bit	Attr	Reset Value	Description
31:16	WO	0x0000	write_enable Write enable for lower 16 bits, each bit is individual. 1'b0: Write access disable 1'b1: Write access enable
15:8	RO	0x00	reserved
7	RW	0x0	clk_uart6_src_sel clk_uart6_src clock mux. 1'b0: clk_gppll_mux 1'b1: clk_cppll_mux
6:2	RW	0x01	clk_uart6_src_div Divide clk_uart6_src by (div_con + 1).
1:0	RW	0x2	sclk_uart5_sel sclk_uart5 clock mux. 2'b00: clk_uart5_src 2'b01: clk_uart5_frac 2'b10: xin_osc0_func

**CRU\_CLKSEL\_CON52**

Address: Operational Base + offset (0x03D0)

Bit	Attr	Reset Value	Description
31:0	RW	0x001403de	clk_uart6_frac_div clk_uart6_frac fraction division register. High 16-bit for numerator Low 16-bit for denominator

**CRU\_CLKSEL\_CON53**

Address: Operational Base + offset (0x03D4)

Bit	Attr	Reset Value	Description
31:16	WO	0x0000	write_enable Write enable for lower 16 bits, each bit is individual. 1'b0: Write access disable 1'b1: Write access enable
15:8	RO	0x00	reserved
7	RW	0x0	clk_uart7_src_sel clk_uart7_src clock mux. 1'b0: clk_gppll_mux 1'b1: clk_cppll_mux
6:2	RW	0x01	clk_uart7_src_div Divide clk_uart7_src by (div_con + 1).
1:0	RW	0x2	sclk_uart6_sel sclk_uart6 clock mux. 2'b00: clk_uart6_src 2'b01: clk_uart6_frac 2'b10: xin_osc0_func

**CRU\_CLKSEL\_CON54**

Address: Operational Base + offset (0x03D8)

**RK3588 TRM-Part1**

Bit	Attr	Reset Value	Description
31:0	RW	0x001403de	clk_uart7_frac_div clk_uart7_frac fraction division register. High 16-bit for numerator Low 16-bit for denominator

**CRU\_CLKSEL\_CON55**

Address: Operational Base + offset (0x03DC)

Bit	Attr	Reset Value	Description
31:16	WO	0x0000	write_enable Write enable for lower 16 bits, each bit is individual. 1'b0: Write access disable 1'b1: Write access enable
15:8	RO	0x00	reserved
7	RW	0x0	clk_uart8_src_sel clk_uart8_src clock mux. 1'b0: clk_gppll_mux 1'b1: clk_cppll_mux
6:2	RW	0x01	clk_uart8_src_div Divide clk_uart8_src by (div_con + 1).
1:0	RW	0x2	sclk_uart7_sel sclk_uart7 clock mux. 2'b00: clk_uart7_src 2'b01: clk_uart7_frac 2'b10: xin_osc0_func

**CRU\_CLKSEL\_CON56**

Address: Operational Base + offset (0x03E0)

Bit	Attr	Reset Value	Description
31:0	RW	0x001403de	clk_uart8_frac_div clk_uart8_frac fraction division register. High 16-bit for numerator Low 16-bit for denominator

**CRU\_CLKSEL\_CON57**

Address: Operational Base + offset (0x03E4)

Bit	Attr	Reset Value	Description
31:16	WO	0x0000	write_enable Write enable for lower 16 bits, each bit is individual. 1'b0: Write access disable 1'b1: Write access enable
15:8	RO	0x00	reserved
7	RW	0x0	clk_uart9_src_sel clk_uart9_src clock mux. 1'b0: clk_gppll_mux 1'b1: clk_cppll_mux
6:2	RW	0x01	clk_uart9_src_div Divide clk_uart9_src by (div_con + 1).
1:0	RW	0x2	sclk_uart8_sel sclk_uart8 clock mux. 2'b00: clk_uart8_src 2'b01: clk_uart8_frac 2'b10: xin_osc0_func

**CRU\_CLKSEL\_CON58**

Address: Operational Base + offset (0x03E8)

Bit	Attr	Reset Value	Description
31:0	RW	0x001403de	clk_uart9_frac_div clk_uart9_frac fraction division register. High 16-bit for numerator Low 16-bit for denominator

**CRU CLKSEL CON59**

Address: Operational Base + offset (0x03EC)

Bit	Attr	Reset Value	Description
31:16	WO	0x0000	write_enable Write enable for lower 16 bits, each bit is individual. 1'b0: Write access disable 1'b1: Write access enable
15:14	RW	0x2	clk_pwm2_sel clk_pwm2 clock mux. 2'b00: clk_matrix_100m_src 2'b01: clk_matrix_50m_src 2'b10: xin_osc0_func
13:12	RW	0x2	clk_pwm1_sel clk_pwm1 clock mux. 2'b00: clk_matrix_100m_src 2'b01: clk_matrix_50m_src 2'b10: xin_osc0_func
11:10	RW	0x0	clk_spi4_sel clk_spi4 clock mux. 2'b00: clk_matrix_200m_src 2'b01: clk_matrix_150m_src 2'b10: xin_osc0_func
9:8	RW	0x0	clk_spi3_sel clk_spi3 clock mux. 2'b00: clk_matrix_200m_src 2'b01: clk_matrix_150m_src 2'b10: xin_osc0_func
7:6	RW	0x0	clk_spi2_sel clk_spi2 clock mux. 2'b00: clk_matrix_200m_src 2'b01: clk_matrix_150m_src 2'b10: xin_osc0_func
5:4	RW	0x0	clk_spi1_sel clk_spi1 clock mux. 2'b00: clk_matrix_200m_src 2'b01: clk_matrix_150m_src 2'b10: xin_osc0_func
3:2	RW	0x0	clk_spi0_sel clk_spi0 clock mux. 2'b00: clk_matrix_200m_src 2'b01: clk_matrix_150m_src 2'b10: xin_osc0_func
1:0	RW	0x2	sclk_uart9_sel sclk_uart9 clock mux. 2'b00: clk_uart9_src 2'b01: clk_uart9_frac 2'b10: xin_osc0_func

**CRU CLKSEL CON60**

Address: Operational Base + offset (0x03F0)

Bit	Attr	Reset Value	Description
31:16	WO	0x0000	write_enable Write enable for lower 16 bits, each bit is individual. 1'b0: Write access disable 1'b1: Write access enable
15	RO	0x0	reserved
14	RW	0x0	dbclk_gpio2_sel dbclk_gpio2 clock mux. 1'b0: xin_osc0_func 1'b1: clk_deepslow
13:9	RW	0x01	dbclk_gpio2_div Divide dbclk_gpio2 by (div_con + 1).
8	RW	0x0	dbclk_gpio1_sel dbclk_gpio1 clock mux. 1'b0: xin_osc0_func 1'b1: clk_deepslow
7:3	RW	0x01	dbclk_gpio1_div Divide dbclk_gpio1 by (div_con + 1).
2	RW	0x0	clk_bus_timer_root_sel clk_bus_timer_root clock mux. 1'b0: xin_osc0_func 1'b1: clk_matrix_100m_src
1:0	RW	0x2	clk_pwm3_sel clk_pwm3 clock mux. 2'b00: clk_matrix_100m_src 2'b01: clk_matrix_50m_src 2'b10: xin_osc0_func

**CRU CLKSEL CON61**

Address: Operational Base + offset (0x03F4)

Bit	Attr	Reset Value	Description
31:16	WO	0x0000	write_enable Write enable for lower 16 bits, each bit is individual. 1'b0: Write access disable 1'b1: Write access enable
15:12	RO	0x0	reserved
11	RW	0x0	dbclk_gpio4_sel dbclk_gpio4 clock mux. 1'b0: xin_osc0_func 1'b1: clk_deepslow
10:6	RW	0x01	dbclk_gpio4_div Divide dbclk_gpio4 by (div_con + 1).
5	RW	0x0	dbclk_gpio3_sel dbclk_gpio3 clock mux. 1'b0: xin_osc0_func 1'b1: clk_deepslow
4:0	RW	0x01	dbclk_gpio3_div Divide dbclk_gpio3 by (div_con + 1).

**CRU CLKSEL CON62**

Address: Operational Base + offset (0x03F8)

Bit	Attr	Reset Value	Description
31:16	WO	0x0000	write_enable Write enable for lower 16 bits, each bit is individual. 1'b0: Write access disable 1'b1: Write access enable

Bit	Attr	Reset Value	Description
15:11	RO	0x00	reserved
10:6	RW	0x0f	clk_bisrintf_pllsrc_div Divide clk_bisrintf_pllsrc by (div_con + 1).
5	RW	0x1	dclk_decom_sel dclk_decom clock mux. 1'b0: clk_gppll_mux 1'b1: clk_spll_mux
4:0	RW	0x01	dclk_decom_div Divide dclk_decom by (div_con + 1).

**CRU CLKSEL CON63**

Address: Operational Base + offset (0x03FC)

Bit	Attr	Reset Value	Description
31:16	WO	0x0000	write_enable Write enable for lower 16 bits, each bit is individual. 1'b0: Write access disable 1'b1: Write access enable
15:7	RO	0x000	reserved
6	RW	0x0	clk_testout_ddr01_sel clk_testout_ddr01 clock mux. 1'b0: clk_dfi_ch0 1'b1: clk_dfi_ch1
5:0	RW	0x3f	clk_testout_ddr01_div Divide clk_testout_ddr01 by (div_con + 1).

**CRU CLKSEL CON65**

Address: Operational Base + offset (0x0404)

Bit	Attr	Reset Value	Description
31:16	WO	0x0000	write_enable Write enable for lower 16 bits, each bit is individual. 1'b0: Write access disable 1'b1: Write access enable
15:7	RO	0x000	reserved
6	RW	0x0	clk_testout_ddr23_sel clk_testout_ddr23 clock mux. 1'b0: clk_dfi_ch2 1'b1: clk_dfi_ch3
5:0	RW	0x3f	clk_testout_ddr23_div Divide clk_testout_ddr23 by (div_con + 1).

**CRU CLKSEL CON67**

Address: Operational Base + offset (0x040C)

Bit	Attr	Reset Value	Description
31:16	WO	0x0000	write_enable Write enable for lower 16 bits, each bit is individual. 1'b0: Write access disable 1'b1: Write access enable
15:14	RW	0x3	clk_isp1_core_sel clk_isp1_core clock mux. 2'b00: clk_gppll_mux 2'b01: clk_cppll_mux 2'b10: clk_auppll_mux 2'b11: clk_spll_mux
13:9	RW	0x00	clk_isp1_core_div Divide clk_isp1_core by (div_con + 1).



Bit	Attr	Reset Value	Description
8:7	RW	0x0	hclk_isp1_root_sel hclk_isp1_root clock mux. 2'b00: clk_matrix_200m_src 2'b01: clk_matrix_100m_src 2'b10: clk_matrix_50m_src 2'b11: xin_osc0_func
6:5	RW	0x1	aclk_isp1_root_sel aclk_isp1_root clock mux. 2'b00: clk_gp1l_mux 2'b01: clk_cp1l_mux 2'b10: clk_aup1l_mux 2'b11: clk_sp1l_mux
4:0	RW	0x01	aclk_isp1_root_div Divide aclk_isp1_root by (div_con + 1).

**CRU\_CLKSEL\_CON73**

Address: Operational Base + offset (0x0424)

Bit	Attr	Reset Value	Description
31:16	WO	0x0000	write_enable Write enable for lower 16 bits, each bit is individual. 1'b0: Write access disable 1'b1: Write access enable
15	RW	0x0	clk_testout_npu_sel clk_testout_npu clock mux. 1'b0: clk_rknn_dsu0_src_t 1'b1: clk_npu_pvtpll
14:10	RW	0x1f	clk_testout_npu_div Divide clk_testout_npu by (div_con + 1).
9:7	RW	0x1	clk_rknn_dsu0_src_t_sel clk_rknn_dsu0_src_t clock mux. 3'b000: clk_gp1l_mux 3'b001: clk_cp1l_mux 3'b010: clk_aup1l_mux 3'b011: clk_np1l_mux 3'b100: clk_sp1l_mux
6:2	RW	0x01	clk_rknn_dsu0_src_t_div Divide clk_rknn_dsu0_src_t by (div_con + 1).
1:0	RW	0x0	hclk_rknn_root_sel hclk_rknn_root clock mux. 2'b00: clk_matrix_200m_src 2'b01: clk_matrix_100m_src 2'b10: clk_matrix_50m_src 2'b11: xin_osc0_func

**CRU\_CLKSEL\_CON74**

Address: Operational Base + offset (0x0428)

Bit	Attr	Reset Value	Description
31:16	WO	0x0000	write_enable Write enable for lower 16 bits, each bit is individual. 1'b0: Write access disable 1'b1: Write access enable
15:13	RO	0x0	reserved

Bit	Attr	Reset Value	Description
12	RW	0x1	clk_npu_cm0_rtc_sel clk_npu_cm0_rtc clock mux. 1'b0: xin_osc0_func 1'b1: clk_deepslow
11:7	RW	0x00	clk_npu_cm0_rtc_div Divide clk_npu_cm0_rtc by (div_con + 1).
6:5	RW	0x0	hclk_npu_cm0_root_sel hclk_npu_cm0_root clock mux. 2'b00: clk_matrix_400m_src 2'b01: clk_matrix_200m_src 2'b10: clk_matrix_100m_src 2'b11: xin_osc0_func
4	RW	0x1	clk_npu_pvtpll_sel clk_npu_pvtpll clock mux. 1'b0: clk_rknn_dsu0_src_t 1'b1: xin_osc0_func
3	RW	0x0	clk_nputimer_root_sel clk_nputimer_root clock mux. 1'b0: xin_osc0_func 1'b1: clk_matrix_100m_src
2:1	RW	0x0	pclk_nputop_root_sel pclk_nputop_root clock mux. 2'b00: clk_matrix_100m_src 2'b01: clk_matrix_50m_src 2'b10: xin_osc0_func
0	RW	0x0	clk_rknn_dsu0_sel clk_rknn_dsu0 clock mux. 1'b0: clk_rknn_dsu0_src_t 1'b1: clk_npu_pvtpll

**CRU CLKSEL CON77**

Address: Operational Base + offset (0x0434)

Bit	Attr	Reset Value	Description
31:16	WO	0x0000	write_enable Write enable for lower 16 bits, each bit is individual. 1'b0: Write access disable 1'b1: Write access enable
15:14	RW	0x0	cclk_emmc_sel cclk_emmc clock mux. 2'b00: clk_gppll_mux 2'b01: clk_cppll_mux 2'b10: xin_osc0_func
13:8	RW	0x05	cclk_emmc_div DT50 division register. Divide cclk_emmc by (div_con + 1).
7	RW	0x1	aclk_nvm_root_sel aclk_nvm_root clock mux. 1'b0: clk_gppll_mux 1'b1: clk_cppll_mux
6:2	RW	0x04	aclk_nvm_root_div Divide aclk_nvm_root by (div_con + 1).

Bit	Attr	Reset Value	Description
1:0	RW	0x0	hclk_nvm_root_sel hclk_nvm_root clock mux. 2'b00: clk_matrix_200m_src 2'b01: clk_matrix_100m_src 2'b10: clk_matrix_50m_src 2'b11: xin_osc0_func

**CRU\_CLKSEL\_CON78**

Address: Operational Base + offset (0x0438)

Bit	Attr	Reset Value	Description
31:16	WO	0x0000	write_enable Write enable for lower 16 bits, each bit is individual. 1'b0: Write access disable 1'b1: Write access enable
15:14	RO	0x0	reserved
13:12	RW	0x0	sclk_sfc_sel sclk_sfc clock mux. 2'b00: clk_gpll_mux 2'b01: clk_cppll_mux 2'b10: xin_osc0_func
11:6	RW	0x05	sclk_sfc_div Divide sclk_sfc by (div_con + 1).
5	RW	0x1	bclk_emmc_sel bclk_emmc clock mux. 1'b0: clk_gpll_mux 1'b1: clk_cppll_mux
4:0	RW	0x04	bclk_emmc_div Divide bclk_emmc by (div_con + 1).

**CRU\_CLKSEL\_CON80**

Address: Operational Base + offset (0x0440)

Bit	Attr	Reset Value	Description
31:16	WO	0x0000	write_enable Write enable for lower 16 bits, each bit is individual. 1'b0: Write access disable 1'b1: Write access enable
15:14	RO	0x0	reserved
13	RW	0x0	aclk_php_root_sel aclk_php_root clock mux. 1'b0: clk_gpll_mux 1'b1: clk_cppll_mux
12:8	RW	0x02	aclk_php_root_div Divide aclk_php_root by (div_con + 1).
7	RW	0x1	aclk_pcie_root_sel aclk_pcie_root clock mux. 1'b0: clk_gpll_mux 1'b1: clk_cppll_mux
6:2	RW	0x02	aclk_pcie_root_div Divide aclk_pcie_root by (div_con + 1).
1:0	RW	0x0	pclk_php_root_sel pclk_php_root clock mux. 2'b00: clk_matrix_150m_src 2'b01: clk_matrix_50m_src 2'b10: xin_osc0_func

**CRU CLKSEL CON81**

Address: Operational Base + offset (0x0444)

Bit	Attr	Reset Value	Description
31:16	WO	0x0000	write_enable Write enable for lower 16 bits, each bit is individual. 1'b0: Write access disable 1'b1: Write access enable
15:14	RO	0x0	reserved
13	RW	0x0	clk_gmac1_ptp_ref_sel clk_gmac1_ptp_ref clock mux. 1'b0: clk_cppll_mux 1'b1: clk_gmac1_ptprefo
12:7	RW	0x0e	clk_gmac1_ptp_ref_div Divide clk_gmac1_ptp_ref by (div_con + 1).
6	RW	0x0	clk_gmac0_ptp_ref_sel clk_gmac0_ptp_ref clock mux. 1'b0: clk_cppll_mux 1'b1: clk_gmac0_ptprefo
5:0	RW	0x0e	clk_gmac0_ptp_ref_div Divide clk_gmac0_ptp_ref by (div_con + 1).

**CRU CLKSEL CON82**

Address: Operational Base + offset (0x0448)

Bit	Attr	Reset Value	Description
31:16	WO	0x0000	write_enable Write enable for lower 16 bits, each bit is individual. 1'b0: Write access disable 1'b1: Write access enable
15	RW	0x1	clk_rxoob1_sel clk_rxoob1 clock mux. 1'b0: clk_gppll_mux 1'b1: clk_cppll_mux
14:8	RW	0x1d	clk_rxoob1_div Divide clk_rxoob1 by (div_con + 1).
7	RW	0x1	clk_rxoob0_sel clk_rxoob0 clock mux. 1'b0: clk_gppll_mux 1'b1: clk_cppll_mux
6:0	RW	0x1d	clk_rxoob0_div Divide clk_rxoob0 by (div_con + 1).

**CRU CLKSEL CON83**

Address: Operational Base + offset (0x044C)

Bit	Attr	Reset Value	Description
31:16	WO	0x0000	write_enable Write enable for lower 16 bits, each bit is individual. 1'b0: Write access disable 1'b1: Write access enable
15	RW	0x1	clk_gmac_125m_cru_i_sel clk_gmac_125m_cru_i clock mux. 1'b0: clk_gppll_mux 1'b1: clk_cppll_mux
14:8	RW	0x0b	clk_gmac_125m_cru_i_div Divide clk_gmac_125m_cru_i by (div_con + 1).

Bit	Attr	Reset Value	Description
7	RW	0x1	clk_rxoob2_sel clk_rxoob2 clock mux. 1'b0: clk_gppll_mux 1'b1: clk_cppll_mux
6:0	RW	0x1d	clk_rxoob2_div Divide clk_rxoob2 by (div_con + 1).

**CRU CLKSEL CON84**

Address: Operational Base + offset (0x0450)

Bit	Attr	Reset Value	Description
31:16	WO	0x0000	write_enable Write enable for lower 16 bits, each bit is individual. 1'b0: Write access disable 1'b1: Write access enable
15:14	RO	0x0	reserved
13:12	RW	0x0	clk_utmi_otg2_sel clk_utmi_otg2 clock mux. 2'b00: clk_matrix_150m_src 2'b01: clk_matrix_50m_src 2'b10: xin_osc0_func
11:8	RW	0x4	clk_utmi_otg2_div Divide clk_utmi_otg2 by (div_con + 1).
7	RW	0x1	clk_gmac_50m_cru_i_sel clk_gmac_50m_cru_i clock mux. 1'b0: clk_gppll_mux 1'b1: clk_cppll_mux
6:0	RW	0x1d	clk_gmac_50m_cru_i_div Divide clk_gmac_50m_cru_i by (div_con + 1).

**CRU CLKSEL CON85**

Address: Operational Base + offset (0x0454)

Bit	Attr	Reset Value	Description
31:16	WO	0x0000	write_enable Write enable for lower 16 bits, each bit is individual. 1'b0: Write access disable 1'b1: Write access enable
15:12	RO	0x0	reserved
11:6	RW	0x00	clk_gmac1_tx_125m_o_div Divide clk_gmac1_tx_125m_o by (div_con + 1).
5:0	RW	0x00	clk_gmac0_tx_125m_o_div Divide clk_gmac0_tx_125m_o by (div_con + 1).

**CRU CLKSEL CON89**

Address: Operational Base + offset (0x0464)

Bit	Attr	Reset Value	Description
31:16	WO	0x0000	write_enable Write enable for lower 16 bits, each bit is individual. 1'b0: Write access disable 1'b1: Write access enable
15:14	RW	0x2	aclk_rkvdec_ccu_sel aclk_rkvdec_ccu clock mux. 2'b00: clk_gppll_mux 2'b01: clk_cppll_mux 2'b10: clk_auppll_mux 2'b11: clk_spll_mux

Bit	Attr	Reset Value	Description
13:9	RW	0x00	aclk_rkvdec_ccu_div Divide aclk_rkvdec_ccu by (div_con + 1).
8:7	RW	0x2	aclk_rkvdec0_root_sel aclk_rkvdec0_root clock mux. 2'b00: clk_gppll_mux 2'b01: clk_cppll_mux 2'b10: clk_auppll_mux 2'b11: clk_spll_mux
6:2	RW	0x00	aclk_rkvdec0_root_div Divide aclk_rkvdec0_root by (div_con + 1).
1:0	RW	0x0	hclk_rkvdec0_root_sel hclk_rkvdec0_root clock mux. 2'b00: clk_matrix_200m_src 2'b01: clk_matrix_100m_src 2'b10: clk_matrix_50m_src 2'b11: xin_osc0_func

**CRU CLKSEL CON90**

Address: Operational Base + offset (0x0468)

Bit	Attr	Reset Value	Description
31:16	WO	0x0000	write_enable Write enable for lower 16 bits, each bit is individual. 1'b0: Write access disable 1'b1: Write access enable
15:13	RO	0x0	reserved
12:11	RW	0x3	clk_rkvdec0_hevc_ca_sel clk_rkvdec0_hevc_ca clock mux. 2'b00: clk_gppll_mux 2'b01: clk_cppll_mux 2'b10: clk_nppll_mux 2'b11: clk_matrix_1000m_src
10:6	RW	0x00	clk_rkvdec0_hevc_ca_div Divide clk_rkvdec0_hevc_ca by (div_con + 1).
5	RW	0x0	clk_rkvdec0_ca_sel clk_rkvdec0_ca clock mux. 1'b0: clk_gppll_mux 1'b1: clk_cppll_mux
4:0	RW	0x01	clk_rkvdec0_ca_div Divide clk_rkvdec0_ca by (div_con + 1).

**CRU CLKSEL CON91**

Address: Operational Base + offset (0x046C)

Bit	Attr	Reset Value	Description
31:16	WO	0x0000	write_enable Write enable for lower 16 bits, each bit is individual. 1'b0: Write access disable 1'b1: Write access enable
15:6	RO	0x000	reserved
5	RW	0x0	clk_rkvdec0_core_sel clk_rkvdec0_core clock mux. 1'b0: clk_gppll_mux 1'b1: clk_cppll_mux
4:0	RW	0x01	clk_rkvdec0_core_div Divide clk_rkvdec0_core by (div_con + 1).

**CRU\_CLKSEL\_CON93**

Address: Operational Base + offset (0x0474)

Bit	Attr	Reset Value	Description
31:16	WO	0x0000	write_enable Write enable for lower 16 bits, each bit is individual. 1'b0: Write access disable 1'b1: Write access enable
15	RO	0x0	reserved
14	RW	0x0	clk_rkvdec1_ca_sel clk_rkvdec1_ca clock mux. 1'b0: clk_gppll_mux 1'b1: clk_cppll_mux
13:9	RW	0x01	clk_rkvdec1_ca_div Divide clk_rkvdec1_ca by (div_con + 1).
8:7	RW	0x2	aclk_rkvdec1_root_sel aclk_rkvdec1_root clock mux. 2'b00: clk_gppll_mux 2'b01: clk_cppll_mux 2'b10: clk_aupll_mux 2'b11: clk_nppll_mux
6:2	RW	0x00	aclk_rkvdec1_root_div Divide aclk_rkvdec1_root by (div_con + 1).
1:0	RW	0x0	hclk_rkvdec1_root_sel hclk_rkvdec1_root clock mux. 2'b00: clk_matrix_200m_src 2'b01: clk_matrix_100m_src 2'b10: clk_matrix_50m_src 2'b11: xin_osc0_func

**CRU\_CLKSEL\_CON94**

Address: Operational Base + offset (0x0478)

Bit	Attr	Reset Value	Description
31:16	WO	0x0000	write_enable Write enable for lower 16 bits, each bit is individual. 1'b0: Write access disable 1'b1: Write access enable
15:13	RO	0x0	reserved
12	RW	0x0	clk_rkvdec1_core_sel clk_rkvdec1_core clock mux. 1'b0: clk_gppll_mux 1'b1: clk_cppll_mux
11:7	RW	0x01	clk_rkvdec1_core_div Divide clk_rkvdec1_core by (div_con + 1).
6:5	RW	0x3	clk_rkvdec1_hevc_ca_sel clk_rkvdec1_hevc_ca clock mux. 2'b00: clk_gppll_mux 2'b01: clk_cppll_mux 2'b10: clk_nppll_mux 2'b11: clk_matrix_1000m_src
4:0	RW	0x00	clk_rkvdec1_hevc_ca_div Divide clk_rkvdec1_hevc_ca by (div_con + 1).

**CRU\_CLKSEL\_CON96**

Address: Operational Base + offset (0x0480)

Bit	Attr	Reset Value	Description
31:16	WO	0x0000	write_enable Write enable for lower 16 bits, each bit is individual. 1'b0: Write access disable 1'b1: Write access enable
15:8	RO	0x00	reserved
7:6	RW	0x0	hclk_usb_root_sel hclk_usb_root clock mux. 2'b00: clk_matrix_150m_src 2'b01: clk_matrix_100m_src 2'b10: clk_matrix_50m_src 2'b11: xin_osc0_func
5	RW	0x1	ackl_usb_root_sel ackl_usb_root clock mux. 1'b0: clk_gp11_mux 1'b1: clk_cp11_mux
4:0	RW	0x04	ackl_usb_root_div Divide ackl_usb_root by (div_con + 1).

**CRU CLKSEL CON98**

Address: Operational Base + offset (0x0488)

Bit	Attr	Reset Value	Description
31:16	WO	0x0000	write_enable Write enable for lower 16 bits, each bit is individual. 1'b0: Write access disable 1'b1: Write access enable
15:11	RO	0x00	reserved
10:9	RW	0x0	hclk_vdpu_root_sel hclk_vdpu_root clock mux. 2'b00: clk_matrix_200m_src 2'b01: clk_matrix_100m_src 2'b10: clk_matrix_50m_src 2'b11: xin_osc0_func
8:7	RW	0x0	ackl_vdpu_low_root_sel ackl_vdpu_low_root clock mux. 2'b00: clk_matrix_400m_src 2'b01: clk_matrix_200m_src 2'b10: clk_matrix_100m_src 2'b11: xin_osc0_func
6:5	RW	0x1	ackl_vdpu_root_sel ackl_vdpu_root clock mux. 2'b00: clk_gp11_mux 2'b01: clk_cp11_mux 2'b10: clk_aup11_mux
4:0	RW	0x01	ackl_vdpu_root_div Divide ackl_vdpu_root by (div_con + 1).

**CRU CLKSEL CON99**

Address: Operational Base + offset (0x048C)

Bit	Attr	Reset Value	Description
31:16	WO	0x0000	write_enable Write enable for lower 16 bits, each bit is individual. 1'b0: Write access disable 1'b1: Write access enable
15:13	RO	0x0	reserved



Bit	Attr	Reset Value	Description
12	RW	0x0	clk_iep2p0_core_sel clk_iep2p0_core clock mux. 1'b0: clk_gppll_mux 1'b1: clk_cppll_mux
11:7	RW	0x02	clk_iep2p0_core_div Divide clk_iep2p0_core by (div_con + 1).
6:5	RW	0x3	aclk_jpeg_decoder_root_sel aclk_jpeg_decoder_root clock mux. 2'b00: clk_gppll_mux 2'b01: clk_cppll_mux 2'b10: clk_auppll_mux 2'b11: clk_spll_mux
4:0	RW	0x00	aclk_jpeg_decoder_root_div Divide aclk_jpeg_decoder_root by (div_con + 1).

**CRU CLKSEL CON100**

Address: Operational Base + offset (0x0490)

Bit	Attr	Reset Value	Description
31:16	WO	0x0000	write_enable Write enable for lower 16 bits, each bit is individual. 1'b0: Write access disable 1'b1: Write access enable
15:13	RW	0x1	clk_rga3_0_core_sel clk_rga3_0_core clock mux. 3'b000: clk_gppll_mux 3'b001: clk_cppll_mux 3'b010: clk_nppll_mux 3'b011: clk_auppll_mux 3'b100: clk_spll_mux
12:8	RW	0x01	clk_rga3_0_core_div Divide clk_rga3_0_core by (div_con + 1).
7:5	RW	0x1	clk_rga2_core_sel clk_rga2_core clock mux. 3'b000: clk_gppll_mux 3'b001: clk_cppll_mux 3'b010: clk_nppll_mux 3'b011: clk_auppll_mux 3'b100: clk_spll_mux
4:0	RW	0x01	clk_rga2_core_div Divide clk_rga2_core by (div_con + 1).

**CRU CLKSEL CON102**

Address: Operational Base + offset (0x0498)

Bit	Attr	Reset Value	Description
31:16	WO	0x0000	write_enable Write enable for lower 16 bits, each bit is individual. 1'b0: Write access disable 1'b1: Write access enable
15:14	RW	0x2	clk_rkvenc0_core_sel clk_rkvenc0_core clock mux. 2'b00: clk_gppll_mux 2'b01: clk_cppll_mux 2'b10: clk_auppll_mux 2'b11: clk_nppll_mux

Bit	Attr	Reset Value	Description
13:9	RW	0x00	clk_rkvenc0_core_div Divide clk_rkvenc0_core by (div_con + 1).
8:7	RW	0x1	aclk_rkvenc0_root_sel aclk_rkvenc0_root clock mux. 2'b00: clk_gpll_mux 2'b01: clk_cppll_mux 2'b10: clk_nppll_mux
6:2	RW	0x02	aclk_rkvenc0_root_div Divide aclk_rkvenc0_root by (div_con + 1).
1:0	RW	0x0	hclk_rkvenc0_root_sel hclk_rkvenc0_root clock mux. 2'b00: clk_matrix_200m_src 2'b01: clk_matrix_100m_src 2'b10: clk_matrix_50m_src 2'b11: xin_osc0_func

**CRU CLKSEL CON104**

Address: Operational Base + offset (0x04A0)

Bit	Attr	Reset Value	Description
31:16	WO	0x0000	write_enable Write enable for lower 16 bits, each bit is individual. 1'b0: Write access disable 1'b1: Write access enable
15:14	RW	0x2	clk_rkvenc1_core_sel clk_rkvenc1_core clock mux. 2'b00: clk_gpll_mux 2'b01: clk_cppll_mux 2'b10: clk_aupll_mux 2'b11: clk_nppll_mux
13:9	RW	0x00	clk_rkvenc1_core_div Divide clk_rkvenc1_core by (div_con + 1).
8:7	RW	0x1	aclk_rkvenc1_root_sel aclk_rkvenc1_root clock mux. 2'b00: clk_gpll_mux 2'b01: clk_cppll_mux 2'b10: clk_nppll_mux
6:2	RW	0x02	aclk_rkvenc1_root_div Divide aclk_rkvenc1_root by (div_con + 1).
1:0	RW	0x0	hclk_rkvenc1_root_sel hclk_rkvenc1_root clock mux. 2'b00: clk_matrix_200m_src 2'b01: clk_matrix_100m_src 2'b10: clk_matrix_50m_src 2'b11: xin_osc0_func

**CRU CLKSEL CON106**

Address: Operational Base + offset (0x04A8)

Bit	Attr	Reset Value	Description
31:16	WO	0x0000	write_enable Write enable for lower 16 bits, each bit is individual. 1'b0: Write access disable 1'b1: Write access enable
15:12	RO	0x0	reserved

Bit	Attr	Reset Value	Description
11:10	RW	0x0	pclk_vi_root_sel pclk_vi_root clock mux. 2'b00: clk_matrix_100m_src 2'b01: clk_matrix_50m_src 2'b10: xin_osc0_func
9:8	RW	0x0	hclk_vi_root_sel hclk_vi_root clock mux. 2'b00: clk_matrix_200m_src 2'b01: clk_matrix_100m_src 2'b10: clk_matrix_50m_src 2'b11: xin_osc0_func
7:5	RW	0x1	aclk_vi_root_sel aclk_vi_root clock mux. 3'b000: clk_gppll_mux 3'b001: clk_cppll_mux 3'b010: clk_nppll_mux 3'b011: clk_auppll_mux 3'b100: clk_spll_mux
4:0	RW	0x01	aclk_vi_root_div Divide aclk_vi_root by (div_con + 1).

**CRU\_CLKSEL\_CON107**

Address: Operational Base + offset (0x04AC)

Bit	Attr	Reset Value	Description
31:16	WO	0x0000	write_enable Write enable for lower 16 bits, each bit is individual. 1'b0: Write access disable 1'b1: Write access enable
15:13	RO	0x0	reserved
12:11	RW	0x3	clk_isp0_core_sel clk_isp0_core clock mux. 2'b00: clk_gppll_mux 2'b01: clk_cppll_mux 2'b10: clk_auppll_mux 2'b11: clk_spll_mux
10:6	RW	0x00	clk_isp0_core_div Divide clk_isp0_core by (div_con + 1).
5	RW	0x0	dclk_vicap_sel dclk_vicap clock mux. 1'b0: clk_gppll_mux 1'b1: clk_cppll_mux
4:0	RW	0x01	dclk_vicap_div Divide dclk_vicap by (div_con + 1).

**CRU\_CLKSEL\_CON108**

Address: Operational Base + offset (0x04B0)

Bit	Attr	Reset Value	Description
31:16	WO	0x0000	write_enable Write enable for lower 16 bits, each bit is individual. 1'b0: Write access disable 1'b1: Write access enable

Bit	Attr	Reset Value	Description
15:14	RW	0x0	iclk_csihost01_sel iclk_csihost01 clock mux. 2'b00: clk_matrix_400m_src 2'b01: clk_matrix_200m_src 2'b10: clk_matrix_100m_src 2'b11: xin_osc0_func
13:12	RW	0x3	clk_fisheye1_core_sel clk_fisheye1_core clock mux. 2'b00: clk_gppll_mux 2'b01: clk_cppll_mux 2'b10: clk_aupll_mux 2'b11: clk_spll_mux
11:7	RW	0x00	clk_fisheye1_core_div Divide clk_fisheye1_core by (div_con + 1).
6:5	RW	0x3	clk_fisheye0_core_sel clk_fisheye0_core clock mux. 2'b00: clk_gppll_mux 2'b01: clk_cppll_mux 2'b10: clk_aupll_mux 2'b11: clk_spll_mux
4:0	RW	0x00	clk_fisheye0_core_div Divide clk_fisheye0_core by (div_con + 1).

**CRU CLKSEL CON110**

Address: Operational Base + offset (0x04B8)

Bit	Attr	Reset Value	Description
31:16	WO	0x0000	write_enable Write enable for lower 16 bits, each bit is individual. 1'b0: Write access disable 1'b1: Write access enable
15:14	RO	0x0	reserved
13:12	RW	0x0	pclk_vop_root_sel pclk_vop_root clock mux. 2'b00: clk_matrix_100m_src 2'b01: clk_matrix_50m_src 2'b10: xin_osc0_func
11:10	RW	0x0	hclk_vop_root_sel hclk_vop_root clock mux. 2'b00: clk_matrix_200m_src 2'b01: clk_matrix_100m_src 2'b10: clk_matrix_50m_src 2'b11: xin_osc0_func
9:8	RW	0x0	aclk_vop_low_root_sel aclk_vop_low_root clock mux. 2'b00: clk_matrix_400m_src 2'b01: clk_matrix_200m_src 2'b10: clk_matrix_100m_src 2'b11: xin_osc0_func
7:5	RW	0x2	aclk_vop_root_sel aclk_vop_root clock mux. 3'b000: clk_gppll_mux 3'b001: clk_cppll_mux 3'b010: clk_aupll_mux 3'b011: clk_nppll_mux 3'b100: clk_spll_mux

**RK3588 TRM-Part1**

Bit	Attr	Reset Value	Description
4:0	RW	0x00	aclk_vop_root_div Divide aclk_vop_root by (div_con + 1).

**CRU CLKSEL CON111**

Address: Operational Base + offset (0x04BC)

Bit	Attr	Reset Value	Description
31:16	WO	0x0000	write_enable Write enable for lower 16 bits, each bit is individual. 1'b0: Write access disable 1'b1: Write access enable
15:14	RW	0x0	dclk_vp1_src_sel dclk_vp1_src clock mux. 2'b00: clk_gpll_mux 2'b01: clk_cppll_mux 2'b10: clk_v0pll_mux 2'b11: clk_aupll_mux
13:9	RW	0x01	dclk_vp1_src_div Divide dclk_vp1_src by (div_con + 1).
8:7	RW	0x0	dclk_vp0_src_sel dclk_vp0_src clock mux. 2'b00: clk_gpll_mux 2'b01: clk_cppll_mux 2'b10: clk_v0pll_mux 2'b11: clk_aupll_mux
6:0	RW	0x01	dclk_vp0_src_div Divide dclk_vp0_src by (div_con + 1).

**CRU CLKSEL CON112**

Address: Operational Base + offset (0x04C0)

Bit	Attr	Reset Value	Description
31:16	WO	0x0000	write_enable Write enable for lower 16 bits, each bit is individual. 1'b0: Write access disable 1'b1: Write access enable
15:13	RO	0x0	reserved
12:11	RW	0x0	dclk_vp2_sel dclk_vp2 clock mux. 2'b00: dclk_vp2_src 2'b01: clk_hdmiphy_pixel0_o 2'b10: clk_hdmiphy_pixel1_o
10:9	RW	0x0	dclk_vp1_sel dclk_vp1 clock mux. 2'b00: dclk_vp1_src 2'b01: clk_hdmiphy_pixel0_o 2'b10: clk_hdmiphy_pixel1_o
8:7	RW	0x0	dclk_vp0_sel dclk_vp0 clock mux. 2'b00: dclk_vp0_src 2'b01: clk_hdmiphy_pixel0_o 2'b10: clk_hdmiphy_pixel1_o

Bit	Attr	Reset Value	Description
6:5	RW	0x0	dclk_vp2_src_sel dclk_vp2_src clock mux. 2'b00: clk_gppll_mux 2'b01: clk_cppll_mux 2'b10: clk_v0pll_mux 2'b11: clk_aupll_mux
4:0	RW	0x01	dclk_vp2_src_div Divide dclk_vop2_src by (div_con + 1).

**CRU CLKSEL CON113**

Address: Operational Base + offset (0x04C4)

Bit	Attr	Reset Value	Description
31:16	WO	0x0000	write_enable Write enable for lower 16 bits, each bit is individual. 1'b0: Write access disable 1'b1: Write access enable
15:9	RO	0x00	reserved
8:7	RW	0x0	dclk_vp3_sel dclk_vp3 clock mux. 2'b00: clk_gppll_mux 2'b01: clk_cppll_mux 2'b10: clk_v0pll_mux 2'b11: clk_aupll_mux
6:0	RW	0x05	dclk_vp3_div Divide dclk_vp3 by (div_con + 1).

**CRU CLKSEL CON114**

Address: Operational Base + offset (0x04C8)

Bit	Attr	Reset Value	Description
31:16	WO	0x0000	write_enable Write enable for lower 16 bits, each bit is individual. 1'b0: Write access disable 1'b1: Write access enable
15:9	RO	0x00	reserved
8:7	RW	0x3	clk_dsihost0_sel clk_dsihost0 clock mux. 2'b00: clk_gppll_mux 2'b01: clk_cppll_mux 2'b10: clk_v0pll_mux 2'b11: clk_spll_mux
6:0	RW	0x01	clk_dsihost0_div Divide clk_dsihost0 by (div_con + 1).

**CRU CLKSEL CON115**

Address: Operational Base + offset (0x04CC)

Bit	Attr	Reset Value	Description
31:16	WO	0x0000	write_enable Write enable for lower 16 bits, each bit is individual. 1'b0: Write access disable 1'b1: Write access enable
15:10	RO	0x00	reserved
9	RW	0x0	aclk_vop_sub_src_sel aclk_vop_sub_src clock mux. 1'b0: aclk_vop_root 1'b1: aclk_vop_div2_src

Bit	Attr	Reset Value	Description
8:7	RW	0x3	clk_dsihost1_sel clk_dsihost1 clock mux. 2'b00: clk_gppll_mux 2'b01: clk_cppll_mux 2'b10: clk_v0pll_mux 2'b11: clk_spll_mux
6:0	RW	0x01	clk_dsihost1_div Divide clk_dsihost1 by (div_con + 1).

**CRU CLKSEL CON116**

Address: Operational Base + offset (0x04D0)

Bit	Attr	Reset Value	Description
31:16	WO	0x0000	write_enable Write enable for lower 16 bits, each bit is individual. 1'b0: Write access disable 1'b1: Write access enable
15:14	RO	0x0	reserved
13:12	RW	0x0	pclk_vo0_s_root_sel pclk_vo0_s_root clock mux. 2'b00: clk_matrix_100m_src 2'b01: clk_matrix_50m_src 2'b10: xin_osc0_func
11:10	RW	0x0	pclk_vo0_root_sel pclk_vo0_root clock mux. 2'b00: clk_matrix_100m_src 2'b01: clk_matrix_50m_src 2'b10: xin_osc0_func
9:8	RW	0x0	hclk_vo0_s_root_sel hclk_vo0_s_root clock mux. 2'b00: clk_matrix_200m_src 2'b01: clk_matrix_100m_src 2'b10: clk_matrix_50m_src 2'b11: xin_osc0_func
7:6	RW	0x0	hclk_vo0_root_sel hclk_vo0_root clock mux. 2'b00: clk_matrix_200m_src 2'b01: clk_matrix_100m_src 2'b10: clk_matrix_50m_src 2'b11: xin_osc0_func
5	RW	0x0	aclk_vo0_root_sel aclk_vo0_root clock mux. 1'b0: clk_gppll_mux 1'b1: clk_cppll_mux
4:0	RW	0x02	aclk_vo0_root_div Divide aclk_vo0_root by (div_con + 1).

**CRU CLKSEL CON117**

Address: Operational Base + offset (0x04D4)

Bit	Attr	Reset Value	Description
31:16	WO	0x0000	write_enable Write enable for lower 16 bits, each bit is individual. 1'b0: Write access disable 1'b1: Write access enable
15:8	RW	0x93	clk_aux16mhz_1_div Divide clk_aux16mhz_1 by (div_con + 1).

**RK3588 TRM-Part1**

Bit	Attr	Reset Value	Description
7:0	RW	0x93	clk_aux16mhz_0_div Divide clk_aux16mhz_0 by (div_con + 1).

**CRU\_CLKSEL\_CON118**

Address: Operational Base + offset (0x04D8)

Bit	Attr	Reset Value	Description
31:16	WO	0x0000	write_enable Write enable for lower 16 bits, each bit is individual. 1'b0: Write access disable 1'b1: Write access enable
15:6	RO	0x000	reserved
5	RW	0x1	clk_i2s4_8ch_tx_src_sel clk_i2s4_8ch_tx_src clock mux. 1'b0: clk_gppll_mux 1'b1: clk_aupll_mux
4:0	RW	0x0b	clk_i2s4_8ch_tx_src_div Divide clk_i2s4_8ch_tx_src by (div_con + 1).

**CRU\_CLKSEL\_CON119**

Address: Operational Base + offset (0x04DC)

Bit	Attr	Reset Value	Description
31:0	RW	0x03355460	clk_i2s4_8ch_tx_frac_div clk_i2s4_8ch_tx_frac fraction division register. High 16-bit for numerator Low 16-bit for denominator

**CRU\_CLKSEL\_CON120**

Address: Operational Base + offset (0x04E0)

Bit	Attr	Reset Value	Description
31:16	WO	0x0000	write_enable Write enable for lower 16 bits, each bit is individual. 1'b0: Write access disable 1'b1: Write access enable
15:9	RO	0x00	reserved
8	RW	0x1	clk_i2s8_8ch_tx_src_sel clk_i2s8_8ch_tx_src clock mux. 1'b0: clk_gppll_mux 1'b1: clk_aupll_mux
7:3	RW	0x0b	clk_i2s8_8ch_tx_src_div Divide clk_i2s8_8ch_tx_src by (div_con + 1).
2	RO	0x0	reserved
1:0	RW	0x3	mclk_i2s4_8ch_tx_sel mclk_i2s4_8ch_tx clock mux. 2'b00: clk_i2s4_8ch_tx_src 2'b01: clk_i2s4_8ch_tx_frac 2'b10: i2s4_mclkin 2'b11: xin_osc0_half

**CRU\_CLKSEL\_CON121**

Address: Operational Base + offset (0x04E4)



**RK3588 TRM-Part1**

Bit	Attr	Reset Value	Description
31:0	RW	0x03355460	clk_i2s8_8ch_tx_frac_div clk_i2s8_8ch_tx_frac fraction division register. High 16-bit for numerator Low 16-bit for denominator

**CRU\_CLKSEL\_CON122**

Address: Operational Base + offset (0x04E8)

Bit	Attr	Reset Value	Description
31:16	WO	0x0000	write_enable Write enable for lower 16 bits, each bit is individual. 1'b0: Write access disable 1'b1: Write access enable
15:9	RO	0x00	reserved
8	RW	0x1	clk_spdif2_dp0_src_sel clk_spdif2_dp0_src clock mux. 1'b0: clk_gpll_mux 1'b1: clk_aupll_mux
7:3	RW	0x01	clk_spdif2_dp0_src_div Divide clk_spdif2_dp0_src by (div_con + 1).
2	RO	0x0	reserved
1:0	RW	0x3	mclk_i2s8_8ch_tx_sel mclk_i2s8_8ch_tx clock mux. 2'b00: clk_i2s8_8ch_tx_src 2'b01: clk_i2s8_8ch_tx_frac 2'b10: i2s8_mclkin 2'b11: xin_osc0_half

**CRU\_CLKSEL\_CON123**

Address: Operational Base + offset (0x04EC)

Bit	Attr	Reset Value	Description
31:0	RW	0x03355460	clk_spdif2_dp0_frac_div clk_spdif2_dp0_frac fraction division register. High 16-bit for numerator Low 16-bit for denominator

**CRU\_CLKSEL\_CON124**

Address: Operational Base + offset (0x04F0)

Bit	Attr	Reset Value	Description
31:16	WO	0x0000	write_enable Write enable for lower 16 bits, each bit is individual. 1'b0: Write access disable 1'b1: Write access enable
15:8	RO	0x00	reserved
7	RW	0x1	clk_spdif5_dp1_src_sel clk_spdif5_dp1_src clock mux. 1'b0: clk_gpll_mux 1'b1: clk_aupll_mux
6:2	RW	0x01	clk_spdif5_dp1_src_div Divide clk_spdif5_dp1_src by (div_con + 1).
1:0	RW	0x0	mclk_4x_spdif2_dp0_sel mclk_4x_spdif2_dp0 clock mux. 2'b00: clk_spdif2_dp0_src 2'b01: clk_spdif2_dp0_frac 2'b10: xin_osc0_half

**CRU CLKSEL CON125**

Address: Operational Base + offset (0x04F4)

Bit	Attr	Reset Value	Description
31:0	RW	0x03355460	clk_spdif5_dp1_frac_div clk_spdif5_dp1_frac fraction division register. High 16-bit for numerator Low 16-bit for denominator

**CRU CLKSEL CON126**

Address: Operational Base + offset (0x04F8)

Bit	Attr	Reset Value	Description
31:16	WO	0x0000	write_enable Write enable for lower 16 bits, each bit is individual. 1'b0: Write access disable 1'b1: Write access enable
15:2	RO	0x0000	reserved
1:0	RW	0x0	mclk_4x_spdif5_dp1_sel mclk_4x_spdif5_dp1 clock mux. 2'b00: clk_spdif5_dp1_src 2'b01: clk_spdif5_dp1_frac 2'b10: xin_osc0_half

**CRU CLKSEL CON128**

Address: Operational Base + offset (0x0500)

Bit	Attr	Reset Value	Description
31:16	WO	0x0000	write_enable Write enable for lower 16 bits, each bit is individual. 1'b0: Write access disable 1'b1: Write access enable
15	RO	0x0	reserved
14:13	RW	0x0	hclk_vo1_root_sel hclk_vo1_root clock mux. 2'b00: clk_matrix_200m_src 2'b01: clk_matrix_100m_src 2'b10: clk_matrix_50m_src 2'b11: xin_osc0_func
12	RW	0x1	aclk_hdmirx_root_sel aclk_hdmirx_root clock mux. 1'b0: clk_gppll_mux 1'b1: clk_cppll_mux
11:7	RW	0x02	aclk_hdmirx_root_div Divide aclk_hdmirx_root by (div_con + 1).
6:5	RW	0x2	aclk_hdcp1_root_sel aclk_hdcp1_root clock mux. 2'b00: clk_gppll_mux 2'b01: clk_cppll_mux 2'b10: clk_hdmitrx_refsrc
4:0	RW	0x00	aclk_hdcp1_root_div Divide aclk_hdcp1_root by (div_con + 1).

**CRU CLKSEL CON129**

Address: Operational Base + offset (0x0504)

Bit	Attr	Reset Value	Description
31:16	WO	0x0000	write_enable Write enable for lower 16 bits, each bit is individual. 1'b0: Write access disable 1'b1: Write access enable
15:12	RO	0x0	reserved
11	RW	0x0	clk_i2s7_8ch_rx_src_sel clk_i2s7_8ch_rx_src clock mux. 1'b0: clk_gppll_mux 1'b1: clk_aupll_mux
10:6	RW	0x05	clk_i2s7_8ch_rx_src_div Divide clk_i2s7_8ch_rx_src by (div_con + 1).
5:4	RW	0x0	pclk_vo1_s_root_sel pclk_vo1_s_root clock mux. 2'b00: clk_matrix_100m_src 2'b01: clk_matrix_50m_src 2'b10: xin_osc0_func
3:2	RW	0x0	pclk_vo1_root_sel pclk_vo1_root clock mux. 2'b00: clk_matrix_150m_src 2'b01: clk_matrix_100m_src 2'b10: xin_osc0_func
1:0	RW	0x0	hclk_vo1_s_root_sel hclk_vo1_s_root clock mux. 2'b00: clk_matrix_200m_src 2'b01: clk_matrix_100m_src 2'b10: clk_matrix_50m_src 2'b11: xin_osc0_func

**CRU CLKSEL CON130**

Address: Operational Base + offset (0x0508)

Bit	Attr	Reset Value	Description
31:0	RW	0x03355460	clk_i2s7_8ch_rx_frac_div clk_i2s7_8ch_rx_frac fraction division register. High 16-bit for numerator Low 16-bit for denominator

**CRU CLKSEL CON131**

Address: Operational Base + offset (0x050C)

Bit	Attr	Reset Value	Description
31:16	WO	0x0000	write_enable Write enable for lower 16 bits, each bit is individual. 1'b0: Write access disable 1'b1: Write access enable
15:2	RO	0x0000	reserved
1:0	RW	0x3	mclk_i2s7_8ch_rx_sel mclk_i2s7_8ch_rx clock mux. 2'b00: clk_i2s7_8ch_rx_src 2'b01: clk_i2s7_8ch_rx_frac 2'b10: i2s7_mclkin 2'b11: xin_osc0_half

**CRU CLKSEL CON133**

Address: Operational Base + offset (0x0514)

Bit	Attr	Reset Value	Description
31:16	WO	0x0000	write_enable Write enable for lower 16 bits, each bit is individual. 1'b0: Write access disable 1'b1: Write access enable
15:7	RO	0x000	reserved
6	RW	0x1	clk_hdmitx0_earc_sel clk_hdmitx0_earc clock mux. 1'b0: clk_gppll_mux 1'b1: clk_cppll_mux
5:1	RW	0x0e	clk_hdmitx0_earc_div Divide clk_hdmitx0_earc by (div_con + 1).
0	RO	0x0	reserved

**CRU CLKSEL CON136**

Address: Operational Base + offset (0x0520)

Bit	Attr	Reset Value	Description
31:16	WO	0x0000	write_enable Write enable for lower 16 bits, each bit is individual. 1'b0: Write access disable 1'b1: Write access enable
15:7	RO	0x000	reserved
6	RW	0x1	clk_hdmitx1_earc_sel clk_hdmitx1_earc clock mux. 1'b0: clk_gppll_mux 1'b1: clk_cppll_mux
5:1	RW	0x0e	clk_hdmitx1_earc_div Divide clk_hdmitx1_earc by (div_con + 1).
0	RO	0x0	reserved

**CRU CLKSEL CON138**

Address: Operational Base + offset (0x0528)

Bit	Attr	Reset Value	Description
31:16	WO	0x0000	write_enable Write enable for lower 16 bits, each bit is individual. 1'b0: Write access disable 1'b1: Write access enable
15:9	RO	0x00	reserved
8	RW	0x0	clk_hdmirx_aud_src_sel clk_hdmirx_aud_src clock mux. 1'b0: clk_gppll_mux 1'b1: clk_aupll_mux
7:0	RW	0x03	clk_hdmirx_aud_src_div Divide clk_hdmirx_aud_src by (div_con + 1).

**CRU CLKSEL CON139**

Address: Operational Base + offset (0x052C)

Bit	Attr	Reset Value	Description
31:0	RW	0x03355460	clk_hdmirx_aud_frac_div clk_hdmirx_aud_frac fraction division register. High 16-bit for numerator Low 16-bit for denominator

**CRU CLKSEL CON140**

Address: Operational Base + offset (0x0530)

Bit	Attr	Reset Value	Description
31:16	WO	0x0000	write_enable Write enable for lower 16 bits, each bit is individual. 1'b0: Write access disable 1'b1: Write access enable
15:11	RO	0x00	reserved
10	RW	0x0	clk_i2s5_8ch_tx_src_sel clk_i2s5_8ch_tx_src clock mux. 1'b0: clk_gppll_mux 1'b1: clk_aupll_mux
9:5	RW	0x05	clk_i2s5_8ch_tx_src_div Divide clk_i2s5_8ch_tx_src by (div_con + 1).
4:3	RW	0x0	clk_edp1_200m_sel clk_edp1_200m clock mux. 2'b00: clk_matrix_200m_src 2'b01: clk_matrix_100m_src 2'b10: clk_matrix_50m_src 2'b11: xin_osc0_func
2:1	RW	0x0	clk_edp0_200m_sel clk_edp0_200m clock mux. 2'b00: clk_matrix_200m_src 2'b01: clk_matrix_100m_src 2'b10: clk_matrix_50m_src 2'b11: xin_osc0_func
0	RW	0x0	clk_hdmirx_aud_sel clk_hdmirx_aud clock mux. 1'b0: clk_hdmirx_aud_src 1'b1: clk_hdmirx_aud_frac

**CRU CLKSEL CON141**

Address: Operational Base + offset (0x0534)

Bit	Attr	Reset Value	Description
31:0	RW	0x03355460	clk_i2s5_8ch_tx_frac_div clk_i2s5_8ch_tx_frac fraction division register. High 16-bit for numerator Low 16-bit for denominator

**CRU CLKSEL CON142**

Address: Operational Base + offset (0x0538)

Bit	Attr	Reset Value	Description
31:16	WO	0x0000	write_enable Write enable for lower 16 bits, each bit is individual. 1'b0: Write access disable 1'b1: Write access enable
15:2	RO	0x0000	reserved
1:0	RW	0x3	mclk_i2s5_8ch_tx_sel mclk_i2s5_8ch_tx clock mux. 2'b00: clk_i2s5_8ch_tx_src 2'b01: clk_i2s5_8ch_tx_frac 2'b10: i2s5_mclkin 2'b11: xin_osc0_half

**CRU CLKSEL CON144**

Address: Operational Base + offset (0x0540)

Bit	Attr	Reset Value	Description
31:16	WO	0x0000	write_enable Write enable for lower 16 bits, each bit is individual. 1'b0: Write access disable 1'b1: Write access enable
15:9	RO	0x00	reserved
8	RW	0x0	clk_i2s6_8ch_tx_src_sel clk_i2s6_8ch_tx_src clock mux. 1'b0: clk_gppll_mux 1'b1: clk_aupll_mux
7:3	RW	0x05	clk_i2s6_8ch_tx_src_div Divide clk_i2s6_8ch_tx_src by (div_con + 1).
2:0	RO	0x0	reserved

**CRU CLKSEL CON145**

Address: Operational Base + offset (0x0544)

Bit	Attr	Reset Value	Description
31:0	RW	0x03355460	clk_i2s6_8ch_tx_frac_div clk_i2s6_8ch_tx_frac fraction division register. High 16-bit for numerator Low 16-bit for denominator

**CRU CLKSEL CON146**

Address: Operational Base + offset (0x0548)

Bit	Attr	Reset Value	Description
31:16	WO	0x0000	write_enable Write enable for lower 16 bits, each bit is individual. 1'b0: Write access disable 1'b1: Write access enable
15:8	RO	0x00	reserved
7	RW	0x0	clk_i2s6_8ch_rx_src_sel clk_i2s6_8ch_rx_src clock mux. 1'b0: clk_gppll_mux 1'b1: clk_aupll_mux
6:2	RW	0x05	clk_i2s6_8ch_rx_src_div Divide clk_i2s6_8ch_rx_src by (div_con + 1).
1:0	RW	0x3	mclk_i2s6_8ch_tx_sel mclk_i2s6_8ch_tx clock mux. 2'b00: clk_i2s6_8ch_tx_src 2'b01: clk_i2s6_8ch_tx_frac 2'b10: i2s6_mclkin 2'b11: xin_osc0_half

**CRU CLKSEL CON147**

Address: Operational Base + offset (0x054C)

Bit	Attr	Reset Value	Description
31:0	RW	0x03355460	clk_i2s6_8ch_rx_frac_div clk_i2s6_8ch_rx_frac fraction division register. High 16-bit for numerator Low 16-bit for denominator

**CRU CLKSEL CON148**

Address: Operational Base + offset (0x0550)

Bit	Attr	Reset Value	Description
31:16	WO	0x0000	write_enable Write enable for lower 16 bits, each bit is individual. 1'b0: Write access disable 1'b1: Write access enable
15:10	RO	0x00	reserved
9	RW	0x0	clk_spdif3_src_sel clk_spdif3_src clock mux. 1'b0: clk_gppll_mux 1'b1: clk_aupll_mux
8:4	RW	0x05	clk_spdif3_src_div Divide clk_spdif3_src by (div_con + 1).
3:2	RW	0x2	i2s6_8ch_mclkout_sel i2s6_8ch_mclkout clock mux. 2'b00: mclk_i2s6_8ch_tx 2'b01: mclk_i2s6_8ch_rx 2'b10: xin_osc0_half
1:0	RW	0x3	mclk_i2s6_8ch_rx_sel mclk_i2s6_8ch_rx clock mux. 2'b00: clk_i2s6_8ch_rx_src 2'b01: clk_i2s6_8ch_rx_frac 2'b10: i2s6_mclk_in 2'b11: xin_osc0_half

**CRU\_CLKSEL\_CON149**

Address: Operational Base + offset (0x0554)

Bit	Attr	Reset Value	Description
31:0	RW	0x03355460	clk_spdif3_frac_div clk_spdif3_frac fraction division register. High 16-bit for numerator Low 16-bit for denominator

**CRU\_CLKSEL\_CON150**

Address: Operational Base + offset (0x0558)

Bit	Attr	Reset Value	Description
31:16	WO	0x0000	write_enable Write enable for lower 16 bits, each bit is individual. 1'b0: Write access disable 1'b1: Write access enable
15:8	RO	0x00	reserved
7	RW	0x0	clk_spdif4_src_sel clk_spdif4_src clock mux. 1'b0: clk_gppll_mux 1'b1: clk_aupll_mux
6:2	RW	0x05	clk_spdif4_src_div Divide clk_spdif4_src by (div_con + 1).
1:0	RW	0x0	mclk_spdif3_sel mclk_spdif3 clock mux. 2'b00: clk_spdif3_src 2'b01: clk_spdif3_frac 2'b10: xin_osc0_half

**CRU\_CLKSEL\_CON151**

Address: Operational Base + offset (0x055C)

Bit	Attr	Reset Value	Description
31:0	RW	0x03355460	clk_spdif4_frac_div clk_spdif4_frac fraction division register. High 16-bit for numerator Low 16-bit for denominator

**CRU\_CLKSEL\_CON152**

Address: Operational Base + offset (0x0560)

Bit	Attr	Reset Value	Description
31:16	WO	0x0000	write_enable Write enable for lower 16 bits, each bit is individual. 1'b0: Write access disable 1'b1: Write access enable
15:14	RW	0x1	mclk_spdifrx1_sel mclk_spdifrx1 clock mux. 2'b00: clk_gpll_mux 2'b01: clk_cppll_mux 2'b10: clk_aupll_mux
13:9	RW	0x02	mclk_spdifrx1_div Divide mclk_spdifrx1 by (div_con + 1).
8:7	RW	0x1	mclk_spdifrx0_sel mclk_spdifrx0 clock mux. 2'b00: clk_gpll_mux 2'b01: clk_cppll_mux 2'b10: clk_aupll_mux
6:2	RW	0x02	mclk_spdifrx0_div Divide mclk_spdifrx0 by (div_con + 1).
1:0	RW	0x0	mclk_spdif4_sel mclk_spdif4 clock mux. 2'b00: clk_spdif4_src 2'b01: clk_spdif4_frac 2'b10: xin_osc0_half

**CRU\_CLKSEL\_CON153**

Address: Operational Base + offset (0x0564)

Bit	Attr	Reset Value	Description
31:16	WO	0x0000	write_enable Write enable for lower 16 bits, each bit is individual. 1'b0: Write access disable 1'b1: Write access enable
15:13	RO	0x0	reserved
12	RW	0x0	clk_i2s9_8ch_rx_src_sel clk_i2s9_8ch_rx_src clock mux. 1'b0: clk_gpll_mux 1'b1: clk_aupll_mux
11:7	RW	0x05	clk_i2s9_8ch_rx_src_div Divide clk_i2s9_8ch_rx_src by (div_con + 1).
6:5	RW	0x1	mclk_spdifrx2_sel mclk_spdifrx2 clock mux. 2'b00: clk_gpll_mux 2'b01: clk_cppll_mux 2'b10: clk_aupll_mux
4:0	RW	0x02	mclk_spdifrx2_div Divide mclk_spdifrx2 by (div_con + 1).

**CRU\_CLKSEL\_CON154**



**RK3588 TRM-Part1**

Address: Operational Base + offset (0x0568)

Bit	Attr	Reset Value	Description
31:0	RW	0x03355460	clk_i2s9_8ch_rx_frac_div clk_i2s9_8ch_rx_frac fraction division register. High 16-bit for numerator Low 16-bit for denominator

**CRU\_CLKSEL\_CON155**

Address: Operational Base + offset (0x056C)

Bit	Attr	Reset Value	Description
31:16	WO	0x0000	write_enable Write enable for lower 16 bits, each bit is individual. 1'b0: Write access disable 1'b1: Write access enable
15:9	RO	0x00	reserved
8	RW	0x0	clk_i2s10_8ch_rx_src_sel clk_i2s10_8ch_rx_src clock mux. 1'b0: clk_gppll_mux 1'b1: clk_aupll_mux
7:3	RW	0x05	clk_i2s10_8ch_rx_src_div Divide clk_i2s10_8ch_rx_src by (div_con + 1).
2	RO	0x0	reserved
1:0	RW	0x3	mclk_i2s9_8ch_rx_sel mclk_i2s9_8ch_rx clock mux. 2'b00: clk_i2s9_8ch_rx_src 2'b01: clk_i2s9_8ch_rx_frac 2'b10: i2s9_mclkin 2'b11: xin_osc0_half

**CRU\_CLKSEL\_CON156**

Address: Operational Base + offset (0x0570)

Bit	Attr	Reset Value	Description
31:0	RW	0x03355460	clk_i2s10_8ch_rx_frac_div clk_i2s10_8ch_rx_frac fraction division register. High 16-bit for numerator Low 16-bit for denominator

**CRU\_CLKSEL\_CON157**

Address: Operational Base + offset (0x0574)

Bit	Attr	Reset Value	Description
31:16	WO	0x0000	write_enable Write enable for lower 16 bits, each bit is individual. 1'b0: Write access disable 1'b1: Write access enable
15:8	RO	0x00	reserved
7	RW	0x1	clk_hdmitrx_refsrc_sel clk_hdmitrx_refsrc clock mux. 1'b0: clk_gppll_mux 1'b1: clk_cppll_mux
6:2	RW	0x02	clk_hdmitrx_refsrc_div NP5 division register. Divide clk_hdmitrx_refsrc by $((2 * \text{div\_con} + 3) / 2)$ .

Bit	Attr	Reset Value	Description
1:0	RW	0x3	mclk_i2s10_8ch_rx_sel mclk_i2s10_8ch_rx clock mux. 2'b00: clk_i2s10_8ch_rx_src 2'b01: clk_i2s10_8ch_rx_frac 2'b10: i2s10_mclkin 2'b11: xin_osc0_half

**CRU CLKSEL CON158**

Address: Operational Base + offset (0x0578)

Bit	Attr	Reset Value	Description
31:16	WO	0x0000	write_enable Write enable for lower 16 bits, each bit is individual. 1'b0: Write access disable 1'b1: Write access enable
15	RO	0x0	reserved
14	RW	0x0	clk_gpu_src_sel clk_gpu_src clock mux. 1'b0: clk_gpu_src_t 1'b1: clk_gpu_pvtpll
13	RW	0x0	clk_testout_gpu_sel clk_testout_gpu clock mux. 1'b0: clk_gpu_src_t 1'b1: clk_gpu_pvtpll
12:8	RW	0x1f	clk_testout_gpu_div Divide clk_testout_gpu by (div_con + 1).
7:5	RW	0x4	clk_gpu_src_t_sel clk_gpu_src_t clock mux. 3'b000: clk_gppll_mux 3'b001: clk_cppll_mux 3'b010: clk_aupll_mux 3'b011: clk_nppll_mux 3'b100: clk_spll_mux
4:0	RW	0x00	clk_gpu_src_t_div Divide clk_gpu_src_t by (div_con + 1).

**CRU CLKSEL CON159**

Address: Operational Base + offset (0x057C)

Bit	Attr	Reset Value	Description
31:16	WO	0x0000	write_enable Write enable for lower 16 bits, each bit is individual. 1'b0: Write access disable 1'b1: Write access enable
15	RO	0x0	reserved
14:10	RW	0x00	aclk_m0_gpu_biu_div Divide aclk_m0_gpu_biu by (div_con + 1).
9:5	RW	0x00	aclk_s_gpu_biu_div Divide aclk_s_gpu_biu by (div_con + 1).
4:0	RW	0x00	clk_gpu_stacks_div Divide clk_gpu_stacks by (div_con + 1).

**CRU CLKSEL CON160**

Address: Operational Base + offset (0x0580)

Bit	Attr	Reset Value	Description
31:16	WO	0x0000	write_enable Write enable for lower 16 bits, each bit is individual. 1'b0: Write access disable 1'b1: Write access enable
15	RO	0x0	reserved
14:10	RW	0x00	aclk_m3_gpu_biu_div Divide aclk_m3_gpu_biu by (div_con + 1).
9:5	RW	0x00	aclk_m2_gpu_biu_div Divide aclk_m2_gpu_biu by (div_con + 1).
4:0	RW	0x00	aclk_m1_gpu_biu_div Divide aclk_m1_gpu_biu by (div_con + 1).

**CRU\_CLKSEL\_CON161**

Address: Operational Base + offset (0x0584)

Bit	Attr	Reset Value	Description
31:16	WO	0x0000	write_enable Write enable for lower 16 bits, each bit is individual. 1'b0: Write access disable 1'b1: Write access enable
15:3	RO	0x0000	reserved
2	RW	0x1	clk_gpu_pvtpll_sel clk_gpu_pvtpll clock mux. 1'b0: clk_gpu_src_t 1'b1: xin_osc0_func
1:0	RW	0x0	pclk_gpu_root_sel pclk_gpu_root clock mux. 2'b00: clk_matrix_100m_src 2'b01: clk_matrix_50m_src 2'b10: xin_osc0_func

**CRU\_CLKSEL\_CON163**

Address: Operational Base + offset (0x058C)

Bit	Attr	Reset Value	Description
31:16	WO	0x0000	write_enable Write enable for lower 16 bits, each bit is individual. 1'b0: Write access disable 1'b1: Write access enable
15:9	RO	0x00	reserved
8:7	RW	0x0	pclk_av1_root_sel pclk_av1_root clock mux. 2'b00: clk_matrix_200m_src 2'b01: clk_matrix_100m_src 2'b10: clk_matrix_50m_src 2'b11: xin_osc0_func
6:5	RW	0x0	aclk_av1_root_sel aclk_av1_root clock mux. 2'b00: clk_gppll_mux 2'b01: clk_cppll_mux 2'b10: clk_auppll_mux
4:0	RW	0x02	aclk_av1_root_div Divide aclk_av1_root by (div_con + 1).

**CRU\_CLKSEL\_CON165**

Address: Operational Base + offset (0x0594)

Bit	Attr	Reset Value	Description
31:16	WO	0x0000	write_enable Write enable for lower 16 bits, each bit is individual. 1'b0: Write access disable 1'b1: Write access enable
15:13	RO	0x0	reserved
12	RW	0x0	clk_ddr_timer_root_sel clk_ddr_timer_root clock mux. 1'b0: xin_osc0_func 1'b1: clk_matrix_100m_src
11:10	RW	0x0	aclk_center_s400_root_sel aclk_center_s400_root clock mux. 2'b00: clk_matrix_400m_src 2'b01: clk_matrix_200m_src 2'b10: clk_matrix_100m_src 2'b11: xin_osc0_func
9:8	RW	0x0	aclk_center_s200_root_sel aclk_center_s200_root clock mux. 2'b00: clk_matrix_200m_src 2'b01: clk_matrix_100m_src 2'b10: clk_matrix_50m_src 2'b11: xin_osc0_func
7:6	RW	0x0	pclk_center_root_sel pclk_center_root clock mux. 2'b00: clk_matrix_200m_src 2'b01: clk_matrix_100m_src 2'b10: clk_matrix_50m_src 2'b11: xin_osc0_func
5:4	RW	0x0	hclk_center_root_sel hclk_center_root clock mux. 2'b00: clk_matrix_400m_src 2'b01: clk_matrix_200m_src 2'b10: clk_matrix_100m_src 2'b11: xin_osc0_func
3:2	RW	0x0	aclk_center_low_root_sel aclk_center_low_root clock mux. 2'b00: clk_matrix_500m_src 2'b01: clk_matrix_250m_src 2'b10: clk_matrix_100m_src 2'b11: xin_osc0_func
1:0	RW	0x0	aclk_center_root_sel aclk_center_root clock mux. 2'b00: clk_matrix_700m_src 2'b01: clk_matrix_400m_src 2'b10: clk_matrix_200m_src 2'b11: xin_osc0_func

**CRU CLKSEL CON166**

Address: Operational Base + offset (0x0598)

Bit	Attr	Reset Value	Description
31:16	WO	0x0000	write_enable Write enable for lower 16 bits, each bit is individual. 1'b0: Write access disable 1'b1: Write access enable
15:6	RO	0x000	reserved

Bit	Attr	Reset Value	Description
5	RW	0x1	clk_ddr_cm0_rtc_sel clk_ddr_cm0_rtc clock mux. 1'b0: xin_osc0_func 1'b1: clk_deepslow
4:0	RW	0x00	clk_ddr_cm0_rtc_div Divide clk_ddr_cm0_rtc by (div_con + 1).

**CRU\_CLKSEL\_CON170**

Address: Operational Base + offset (0x05A8)

Bit	Attr	Reset Value	Description
31:16	WO	0x0000	write_enable Write enable for lower 16 bits, each bit is individual. 1'b0: Write access disable 1'b1: Write access enable
15:8	RO	0x00	reserved
7:6	RW	0x0	hclk_vo1usb_top_root_sel hclk_vo1usb_top_root clock mux. 2'b00: clk_matrix_200m_src 2'b01: clk_matrix_100m_src 2'b10: clk_matrix_50m_src 2'b11: xin_osc0_func
5	RW	0x1	ack_vo1usb_top_root_sel ack_vo1usb_top_root clock mux. 1'b0: clk_gp11_mux 1'b1: clk_cp11_mux
4:0	RW	0x02	ack_vo1usb_top_root_div Divide ack_vo1usb_top_root by (div_con + 1).

**CRU\_CLKSEL\_CON172**

Address: Operational Base + offset (0x05B0)

Bit	Attr	Reset Value	Description
31:16	WO	0x0000	write_enable Write enable for lower 16 bits, each bit is individual. 1'b0: Write access disable 1'b1: Write access enable
15:10	RO	0x00	reserved
9:8	RW	0x0	cclk_src_sdio_sel cclk_src_sdio clock mux. 2'b00: clk_gp11_mux 2'b01: clk_cp11_mux 2'b10: xin_osc0_func
7:2	RW	0x03	cclk_src_sdio_div DT50 division register. Divide cclk_src_sdio by (div_con + 1).
1:0	RW	0x0	hclk_sdio_root_sel hclk_sdio_root clock mux. 2'b00: clk_matrix_200m_src 2'b01: clk_matrix_100m_src 2'b10: clk_matrix_50m_src 2'b11: xin_osc0_func

**CRU\_CLKSEL\_CON174**

Address: Operational Base + offset (0x05B8)

Bit	Attr	Reset Value	Description
31:16	WO	0x0000	write_enable Write enable for lower 16 bits, each bit is individual. 1'b0: Write access disable 1'b1: Write access enable
15:14	RW	0x1	clk_rga3_1_core_sel clk_rga3_1_core clock mux. 2'b00: clk_gpll_mux 2'b01: clk_cppll_mux 2'b10: clk_aupll_mux 2'b11: clk_spll_mux
13:9	RW	0x01	clk_rga3_1_core_div Divide clk_rga3_1_core by (div_con + 1).
8:7	RW	0x0	hclk_rga3_root_sel hclk_rga3_root clock mux. 2'b00: clk_matrix_200m_src 2'b01: clk_matrix_100m_src 2'b10: clk_matrix_50m_src 2'b11: xin_osc0_func
6:5	RW	0x1	aclk_rga3_root_sel aclk_rga3_root clock mux. 2'b00: clk_gpll_mux 2'b01: clk_cppll_mux 2'b10: clk_aupll_mux
4:0	RW	0x01	aclk_rga3_root_div Divide aclk_rga3_root by (div_con + 1).

**CRU CLKSEL CON176**

Address: Operational Base + offset (0x05C0)

Bit	Attr	Reset Value	Description
31:16	WO	0x0000	write_enable Write enable for lower 16 bits, each bit is individual. 1'b0: Write access disable 1'b1: Write access enable
15:12	RO	0x0	reserved
11:6	RW	0x00	clk_ref_pipe_phy1_pll_src_div Divide clk_ref_pipe_phy1_pll_src by (div_con + 1).
5:0	RW	0x00	clk_ref_pipe_phy0_pll_src_div Divide clk_ref_pipe_phy0_pll_src by (div_con + 1).

**CRU CLKSEL CON177**

Address: Operational Base + offset (0x05C4)

Bit	Attr	Reset Value	Description
31:16	WO	0x0000	write_enable Write enable for lower 16 bits, each bit is individual. 1'b0: Write access disable 1'b1: Write access enable
15:9	RO	0x00	reserved
8	RW	0x0	clk_ref_pipe_phy2_sel clk_ref_pipe_phy2 clock mux. 1'b0: clk_ref_pipe_phy2_osc_src 1'b1: clk_ref_pipe_phy2_pll_src
7	RW	0x0	clk_ref_pipe_phy1_sel clk_ref_pipe_phy1 clock mux. 1'b0: clk_ref_pipe_phy1_osc_src 1'b1: clk_ref_pipe_phy1_pll_src

Bit	Attr	Reset Value	Description
6	RW	0x0	clk_ref_pipe_phy0_sel clk_ref_pipe_phy0 clock mux. 1'b0: clk_ref_pipe_phy0_osc_src 1'b1: clk_ref_pipe_phy0_pll_src
5:0	RW	0x00	clk_ref_pipe_phy2_pll_src_div Divide clk_ref_pipe_phy2_pll_src by (div_con + 1).

**CRU\_GATE\_CON00**

Address: Operational Base + offset (0x0800)

Bit	Attr	Reset Value	Description
31:16	WO	0x0000	write_enable Write enable for lower 16 bits, each bit is individual. 1'b0: Write access disable 1'b1: Write access enable
15	RW	0x0	clk_matrix_1200m_src_en clk_matrix_1200m_src clock gating control. When high, disable clock
14	RW	0x0	clk_matrix_1000m_src_en clk_matrix_1000m_src clock gating control. When high, disable clock
13	RW	0x0	clk_matrix_800m_src_en clk_matrix_800m_src clock gating control. When high, disable clock
12	RW	0x0	clk_matrix_700m_src_en clk_matrix_700m_src clock gating control. When high, disable clock
11	RW	0x0	clk_matrix_650m_src_en clk_matrix_650m_src clock gating control. When high, disable clock
10	RW	0x0	clk_matrix_600m_src_en clk_matrix_600m_src clock gating control. When high, disable clock
9	RW	0x0	clk_matrix_500m_src_en clk_matrix_500m_src clock gating control. When high, disable clock
8	RW	0x0	clk_matrix_450m_src_en clk_matrix_450m_src clock gating control. When high, disable clock
7	RW	0x0	clk_matrix_400m_src_en clk_matrix_400m_src clock gating control. When high, disable clock
6	RW	0x0	clk_matrix_350m_src_en clk_matrix_350m_src clock gating control. When high, disable clock
5	RW	0x0	clk_matrix_300m_src_en clk_matrix_300m_src clock gating control. When high, disable clock
4	RW	0x0	clk_matrix_250m_src_en clk_matrix_250m_src clock gating control. When high, disable clock
3	RW	0x0	clk_matrix_200m_src_en clk_matrix_200m_src clock gating control. When high, disable clock

Bit	Attr	Reset Value	Description
2	RW	0x0	clk_matrix_150m_src_en clk_matrix_150m_src clock gating control. When high, disable clock
1	RW	0x0	clk_matrix_100m_src_en clk_matrix_100m_src clock gating control. When high, disable clock
0	RW	0x0	clk_matrix_50m_src_en clk_matrix_50m_src clock gating control. When high, disable clock

**CRU\_GATE\_CON01**

Address: Operational Base + offset (0x0804)

Bit	Attr	Reset Value	Description
31:16	WO	0x0000	write_enable Write enable for lower 16 bits, each bit is individual. 1'b0: Write access disable 1'b1: Write access enable
15	RW	0x0	aclk_top_m500_biu_en aclk_top_m500_biu clock gating control. When high, disable clock
14	RW	0x0	aclk_top_s400_root_en aclk_top_s400_root clock gating control. When high, disable clock
13	RW	0x0	aclk_top_s200_root_en aclk_top_s200_root clock gating control. When high, disable clock
12	RW	0x0	aclk_top_m400_root_en aclk_top_m400_root clock gating control. When high, disable clock
11	RW	0x0	aclk_top_m500_root_en aclk_top_m500_root clock gating control. When high, disable clock
10	RW	0x0	aclk_top_m300_root_en aclk_top_m300_root clock gating control. When high, disable clock
9	RO	0x0	reserved
8	RW	0x0	pclk_csiphy1_en pclk_csiphy1 clock gating control. When high, disable clock
7	RO	0x0	reserved
6	RW	0x0	pclk_csiphy0_en pclk_csiphy0 clock gating control. When high, disable clock
5	RO	0x0	reserved
4	RW	0x0	pclk_top_biu_en pclk_top_biu clock gating control. When high, disable clock
3	RW	0x0	aclk_top_biu_en aclk_top_biu clock gating control. When high, disable clock
2	RW	0x0	aclk_low_top_root_en aclk_low_top_root clock gating control. When high, disable clock



Bit	Attr	Reset Value	Description
1	RW	0x0	pclk_top_root_en pclk_top_root clock gating control. When high, disable clock
0	RW	0x0	aclk_top_root_en aclk_top_root clock gating control. When high, disable clock

**CRU\_GATE\_CON02**

Address: Operational Base + offset (0x0808)

Bit	Attr	Reset Value	Description
31:16	WO	0x0000	write_enable Write enable for lower 16 bits, each bit is individual. 1'b0: Write access disable 1'b1: Write access enable
15	RW	0x0	clk_usbdp_combo_phy1_immortal_en clk_usbdp_combo_phy1_immortal clock gating control. When high, disable clock
14:9	RO	0x00	reserved
8	RW	0x0	clk_usbdp_combo_phy0_immortal_en clk_usbdp_combo_phy0_immortal clock gating control. When high, disable clock
7	RO	0x0	reserved
6	RW	0x1	clk_testout_grp0_en clk_testout_grp0 clock gating control. When high, disable clock
5	RO	0x0	reserved
4	RW	0x1	clk_testout_top_en clk_testout_top clock gating control. When high, disable clock
3	RW	0x0	aclk_top_m300_biu_en aclk_top_m300_biu clock gating control. When high, disable clock
2	RW	0x0	aclk_top_s400_biu_en aclk_top_s400_biu clock gating control. When high, disable clock
1	RW	0x0	aclk_top_s200_biu_en aclk_top_s200_biu clock gating control. When high, disable clock
0	RW	0x0	aclk_top_m400_biu_en aclk_top_m400_biu clock gating control. When high, disable clock

**CRU\_GATE\_CON03**

Address: Operational Base + offset (0x080C)

Bit	Attr	Reset Value	Description
31:16	WO	0x0000	write_enable Write enable for lower 16 bits, each bit is individual. 1'b0: Write access disable 1'b1: Write access enable
15	RW	0x0	pclk_mipi_dcphy0_grf_en pclk_mipi_dcphy0_grf clock gating control. When high, disable clock
14	RW	0x0	pclk_mipi_dcphy0_en pclk_mipi_dcphy0 clock gating control. When high, disable clock

Bit	Attr	Reset Value	Description
13:0	RO	0x0000	reserved

**CRU\_GATE\_CON04**

Address: Operational Base + offset (0x0810)

Bit	Attr	Reset Value	Description
31:16	WO	0x0000	write_enable Write enable for lower 16 bits, each bit is individual. 1'b0: Write access disable 1'b1: Write access enable
15:12	RO	0x0	reserved
11	RW	0x0	pclk_apb2asb_slv_ioc_right_en pclk_apb2asb_slv_ioc_right clock gating control. When high, disable clock
10	RW	0x0	pclk_apb2asb_slv_ioc_top_en pclk_apb2asb_slv_ioc_top clock gating control. When high, disable clock
9	RW	0x0	pclk_apb2asb_slv_emmcio_en pclk_apb2asb_slv_emmcio clock gating control. When high, disable clock
8	RW	0x0	pclk_apb2asb_slv_vccio6_en pclk_apb2asb_slv_vccio6 clock gating control. When high, disable clock
7	RW	0x0	pclk_apb2asb_slv_vccio3_5_en pclk_apb2asb_slv_vccio3_5 clock gating control. When high, disable clock
6	RW	0x0	pclk_apb2asb_slv_csiphy_en pclk_apb2asb_slv_csiphy clock gating control. When high, disable clock
5	RW	0x0	pclk_apb2asb_slv_cdphy_en pclk_apb2asb_slv_cdphy clock gating control. When high, disable clock
4	RW	0x0	pclk_mipi_dcphy1_grf_en pclk_mipi_dcphy1_grf clock gating control. When high, disable clock
3	RW	0x0	pclk_mipi_dcphy1_en pclk_mipi_dcphy1 clock gating control. When high, disable clock
2:0	RO	0x0	reserved

**CRU\_GATE\_CON05**

Address: Operational Base + offset (0x0814)

Bit	Attr	Reset Value	Description
31:16	WO	0x0000	write_enable Write enable for lower 16 bits, each bit is individual. 1'b0: Write access disable 1'b1: Write access enable
15	RW	0x0	hclk_channel_secure2center_en hclk_channel_secure2center clock gating control. When high, disable clock
14	RW	0x0	hclk_channel_secure2vo1usb_en hclk_channel_secure2vo1usb clock gating control. When high, disable clock
13	RW	0x0	clk_mipi_camaraout_m4_en clk_mipi_camaraout_m4 clock gating control. When high, disable clock

Bit	Attr	Reset Value	Description
12	RW	0x0	clk_mipi_cameraout_m3_en clk_mipi_cameraout_m3 clock gating control. When high, disable clock
11	RW	0x0	clk_mipi_cameraout_m2_en clk_mipi_cameraout_m2 clock gating control. When high, disable clock
10	RW	0x0	clk_mipi_cameraout_m1_en clk_mipi_cameraout_m1 clock gating control. When high, disable clock
9	RW	0x0	clk_mipi_cameraout_m0_en clk_mipi_cameraout_m0 clock gating control. When high, disable clock
8	RW	0x0	aclk_channel_secure2center_en aclk_channel_secure2center clock gating control. When high, disable clock
7	RW	0x0	aclk_channel_secure2vo1usb_en aclk_channel_secure2vo1usb clock gating control. When high, disable clock
6	RW	0x0	clk_cifout_out_en clk_cifout_out clock gating control. When high, disable clock
5	RW	0x0	refclko25m_eth1_out_en refclko25m_eth1_out clock gating control. When high, disable clock
4	RW	0x0	refclko25m_eth0_out_en refclko25m_eth0_out clock gating control. When high, disable clock
3	RW	0x0	mclk_gmac0_out_en mclk_gmac0_out clock gating control. When high, disable clock
2:1	RO	0x0	reserved
0	RW	0x0	pclk_cru_en pclk_cru clock gating control. When high, disable clock

**CRU\_GATE\_CON06**

Address: Operational Base + offset (0x0818)

Bit	Attr	Reset Value	Description
31:16	WO	0x0000	write_enable Write enable for lower 16 bits, each bit is individual. 1'b0: Write access disable 1'b1: Write access enable
15:2	RO	0x0000	reserved
1	RW	0x0	pclk_channel_secure2center_en pclk_channel_secure2center clock gating control. When high, disable clock
0	RW	0x0	pclk_channel_secure2vo1usb_en pclk_channel_secure2vo1usb clock gating control. When high, disable clock

**CRU\_GATE\_CON07**

Address: Operational Base + offset (0x081C)

Bit	Attr	Reset Value	Description
31:16	WO	0x0000	write_enable Write enable for lower 16 bits, each bit is individual. 1'b0: Write access disable 1'b1: Write access enable
15	RW	0x0	clk_i2s2_2ch_frac_en clk_i2s2_2ch_frac clock gating control. When high, disable clock
14	RW	0x0	clk_i2s2_2ch_en clk_i2s2_2ch_src clock gating control. When high, disable clock
13	RW	0x0	hclk_i2s3_2ch_en hclk_i2s3_2ch clock gating control. When high, disable clock
12	RW	0x0	hclk_i2s2_2ch_en hclk_i2s2_2ch clock gating control. When high, disable clock
11	RW	0x0	pclk_acdcdig_en pclk_acdcdig clock gating control. When high, disable clock
10	RW	0x0	mclk_i2s0_8ch_rx_en mclk_i2s0_8ch_rx clock gating control. When high, disable clock
9	RW	0x0	clk_i2s0_8ch_frac_rx_en clk_i2s0_8ch_rx_frac clock gating control. When high, disable clock
8	RW	0x0	clk_i2s0_8ch_rx_en clk_i2s0_8ch_rx_src clock gating control. When high, disable clock
7	RW	0x0	mclk_i2s0_8ch_tx_en mclk_i2s0_8ch_tx clock gating control. When high, disable clock
6	RW	0x0	clk_i2s0_8ch_frac_tx_en clk_i2s0_8ch_tx_frac clock gating control. When high, disable clock
5	RW	0x0	clk_i2s0_8ch_tx_en clk_i2s0_8ch_tx_src clock gating control. When high, disable clock
4	RW	0x0	hclk_i2s0_8ch_en hclk_i2s0_8ch clock gating control. When high, disable clock
3	RW	0x0	pclk_audio_biu_en pclk_audio_biu clock gating control. When high, disable clock
2	RW	0x0	hclk_audio_biu_en hclk_audio_biu clock gating control. When high, disable clock
1	RW	0x0	pclk_audio_root_en pclk_audio_root clock gating control. When high, disable clock
0	RW	0x0	hclk_audio_root_en hclk_audio_root clock gating control. When high, disable clock

**CRU\_GATE\_CON08**

Address: Operational Base + offset (0x0820)

Bit	Attr	Reset Value	Description
31:16	WO	0x0000	write_enable Write enable for lower 16 bits, each bit is individual. 1'b0: Write access disable 1'b1: Write access enable
15	RW	0x0	clk_spdif0_en clk_spdif0_src clock gating control. When high, disable clock
14	RW	0x0	hclk_spdif0_en hclk_spdif0 clock gating control. When high, disable clock
13:5	RO	0x000	reserved
4	RW	0x0	clk_dac_acdcdig_en clk_dac_acdcdig clock gating control. When high, disable clock
3	RW	0x0	mclk_i2s3_2ch_en mclk_i2s3_2ch clock gating control. When high, disable clock
2	RW	0x0	clk_i2s3_2ch_frac_en clk_i2s3_2ch_frac clock gating control. When high, disable clock
1	RW	0x0	clk_i2s3_2ch_en clk_i2s3_2ch_src clock gating control. When high, disable clock
0	RW	0x0	mclk_i2s2_2ch_en mclk_i2s2_2ch clock gating control. When high, disable clock

**CRU\_GATE\_CON09**

Address: Operational Base + offset (0x0824)

Bit	Attr	Reset Value	Description
31:16	WO	0x0000	write_enable Write enable for lower 16 bits, each bit is individual. 1'b0: Write access disable 1'b1: Write access enable
15:8	RO	0x00	reserved
7	RW	0x0	mclk_pdm1_en mclk_pdm1 clock gating control. When high, disable clock
6	RW	0x0	hclk_pdm1_en hclk_pdm1 clock gating control. When high, disable clock
5	RW	0x0	mclk_spdif1_en mclk_spdif1 clock gating control. When high, disable clock
4	RW	0x0	clk_spdif1_frac_en clk_spdif1_frac clock gating control. When high, disable clock
3	RW	0x0	clk_spdif1_en clk_spdif1_src clock gating control. When high, disable clock
2	RW	0x0	hclk_spdif1_en hclk_spdif1 clock gating control. When high, disable clock

Bit	Attr	Reset Value	Description
1	RW	0x0	mclk_spdif0_en mclk_spdif0 clock gating control. When high, disable clock
0	RW	0x0	clk_spdif0_frac_en clk_spdif0_frac clock gating control. When high, disable clock

**CRU\_GATE\_CON10**

Address: Operational Base + offset (0x0828)

Bit	Attr	Reset Value	Description
31:16	WO	0x0000	write_enable Write enable for lower 16 bits, each bit is individual. 1'b0: Write access disable 1'b1: Write access enable
15	RW	0x0	pclk_i2c8_en pclk_i2c8 clock gating control. When high, disable clock
14	RW	0x0	pclk_i2c7_en pclk_i2c7 clock gating control. When high, disable clock
13	RW	0x0	pclk_i2c6_en pclk_i2c6 clock gating control. When high, disable clock
12	RW	0x0	pclk_i2c5_en pclk_i2c5 clock gating control. When high, disable clock
11	RW	0x0	pclk_i2c4_en pclk_i2c4 clock gating control. When high, disable clock
10	RW	0x0	pclk_i2c3_en pclk_i2c3 clock gating control. When high, disable clock
9	RW	0x0	pclk_i2c2_en pclk_i2c2 clock gating control. When high, disable clock
8	RW	0x0	pclk_i2c1_en pclk_i2c1 clock gating control. When high, disable clock
7	RW	0x0	aclk_dmac2_en aclk_dmac2 clock gating control. When high, disable clock
6	RW	0x0	aclk_dmac1_en aclk_dmac1 clock gating control. When high, disable clock
5	RW	0x0	aclk_dmac0_en aclk_dmac0 clock gating control. When high, disable clock
4	RO	0x0	reserved
3	RW	0x0	aclk_gic_en aclk_gic clock gating control. When high, disable clock
2	RW	0x0	pclk_bus_biu_en pclk_bus_biu clock gating control. When high, disable clock

Bit	Attr	Reset Value	Description
1	RW	0x0	aclk_bus_biu_en aclk_bus_biu clock gating control. When high, disable clock
0	RW	0x0	aclk_bus_root_en aclk_bus_root clock gating control. When high, disable clock

**CRU\_GATE\_CON11**

Address: Operational Base + offset (0x082C)

Bit	Attr	Reset Value	Description
31:16	WO	0x0000	write_enable Write enable for lower 16 bits, each bit is individual. 1'b0: Write access disable 1'b1: Write access enable
15	RW	0x0	clk_saradc_en clk_saradc clock gating control. When high, disable clock
14	RW	0x0	pclk_saradc_en pclk_saradc clock gating control. When high, disable clock
13	RW	0x0	clk_can2_en clk_can2 clock gating control. When high, disable clock
12	RW	0x0	pclk_can2_en pclk_can2 clock gating control. When high, disable clock
11	RW	0x0	clk_can1_en clk_can1 clock gating control. When high, disable clock
10	RW	0x0	pclk_can1_en pclk_can1 clock gating control. When high, disable clock
9	RW	0x0	clk_can0_en clk_can0 clock gating control. When high, disable clock
8	RW	0x0	pclk_can0_en pclk_can0 clock gating control. When high, disable clock
7	RW	0x0	clk_i2c8_en clk_i2c8 clock gating control. When high, disable clock
6	RW	0x0	clk_i2c7_en clk_i2c7 clock gating control. When high, disable clock
5	RW	0x0	clk_i2c6_en clk_i2c6 clock gating control. When high, disable clock
4	RW	0x0	clk_i2c5_en clk_i2c5 clock gating control. When high, disable clock
3	RW	0x0	clk_i2c4_en clk_i2c4 clock gating control. When high, disable clock

Bit	Attr	Reset Value	Description
2	RW	0x0	clk_i2c3_en clk_i2c3 clock gating control. When high, disable clock
1	RW	0x0	clk_i2c2_en clk_i2c2 clock gating control. When high, disable clock
0	RW	0x0	clk_i2c1_en clk_i2c1 clock gating control. When high, disable clock

**CRU\_GATE\_CON12**

Address: Operational Base + offset (0x0830)

Bit	Attr	Reset Value	Description
31:16	WO	0x0000	write_enable Write enable for lower 16 bits, each bit is individual. 1'b0: Write access disable 1'b1: Write access enable
15	RW	0x0	clk_uart2_frac_en clk_uart2_frac clock gating control. When high, disable clock
14	RW	0x0	clk_uart2_en clk_uart2_src clock gating control. When high, disable clock
13	RW	0x0	sclk_uart1_en sclk_uart1 clock gating control. When high, disable clock
12	RW	0x0	clk_uart1_frac_en clk_uart1_frac clock gating control. When high, disable clock
11	RW	0x0	clk_uart1_en clk_uart1_src clock gating control. When high, disable clock
10	RW	0x0	pclk_uart9_en pclk_uart9 clock gating control. When high, disable clock
9	RW	0x0	pclk_uart8_en pclk_uart8 clock gating control. When high, disable clock
8	RW	0x0	pclk_uart7_en pclk_uart7 clock gating control. When high, disable clock
7	RW	0x0	pclk_uart6_en pclk_uart6 clock gating control. When high, disable clock
6	RW	0x0	pclk_uart5_en pclk_uart5 clock gating control. When high, disable clock
5	RW	0x0	pclk_uart4_en pclk_uart4 clock gating control. When high, disable clock
4	RW	0x0	pclk_uart3_en pclk_uart3 clock gating control. When high, disable clock



Bit	Attr	Reset Value	Description
3	RW	0x0	pclk_uart2_en pclk_uart2 clock gating control. When high, disable clock
2	RW	0x0	pclk_uart1_en pclk_uart1 clock gating control. When high, disable clock
1	RW	0x0	clk_tsadc_en clk_tsadc clock gating control. When high, disable clock
0	RW	0x0	pclk_tsadc_en pclk_tsadc clock gating control. When high, disable clock

**CRU\_GATE\_CON13**

Address: Operational Base + offset (0x0834)

Bit	Attr	Reset Value	Description
31:16	WO	0x0000	write_enable Write enable for lower 16 bits, each bit is individual. 1'b0: Write access disable 1'b1: Write access enable
15	RW	0x0	sclk_uart7_en sclk_uart7 clock gating control. When high, disable clock
14	RW	0x0	clk_uart7_frac_en clk_uart7_frac clock gating control. When high, disable clock
13	RW	0x0	clk_uart7_en clk_uart7_src clock gating control. When high, disable clock
12	RW	0x0	sclk_uart6_en sclk_uart6 clock gating control. When high, disable clock
11	RW	0x0	clk_uart6_frac_en clk_uart6_frac clock gating control. When high, disable clock
10	RW	0x0	clk_uart6_en clk_uart6_src clock gating control. When high, disable clock
9	RW	0x0	sclk_uart5_en sclk_uart5 clock gating control. When high, disable clock
8	RW	0x0	clk_uart5_frac_en clk_uart5_frac clock gating control. When high, disable clock
7	RW	0x0	clk_uart5_en clk_uart5_src clock gating control. When high, disable clock
6	RW	0x0	sclk_uart4_en sclk_uart4 clock gating control. When high, disable clock
5	RW	0x0	clk_uart4_frac_en clk_uart4_frac clock gating control. When high, disable clock

Bit	Attr	Reset Value	Description
4	RW	0x0	clk_uart4_en clk_uart4_src clock gating control. When high, disable clock
3	RW	0x0	sclk_uart3_en sclk_uart3 clock gating control. When high, disable clock
2	RW	0x0	clk_uart3_frac_en clk_uart3_frac clock gating control. When high, disable clock
1	RW	0x0	clk_uart3_en clk_uart3_src clock gating control. When high, disable clock
0	RW	0x0	sclk_uart2_en sclk_uart2 clock gating control. When high, disable clock

**CRU\_GATE\_CON14**

Address: Operational Base + offset (0x0838)

Bit	Attr	Reset Value	Description
31:16	WO	0x0000	write_enable Write enable for lower 16 bits, each bit is individual. 1'b0: Write access disable 1'b1: Write access enable
15	RW	0x0	clk_spi4_en clk_spi4 clock gating control. When high, disable clock
14	RW	0x0	clk_spi3_en clk_spi3 clock gating control. When high, disable clock
13	RW	0x0	clk_spi2_en clk_spi2 clock gating control. When high, disable clock
12	RW	0x0	clk_spi1_en clk_spi1 clock gating control. When high, disable clock
11	RW	0x0	clk_spi0_en clk_spi0 clock gating control. When high, disable clock
10	RW	0x0	pclk_spi4_en pclk_spi4 clock gating control. When high, disable clock
9	RW	0x0	pclk_spi3_en pclk_spi3 clock gating control. When high, disable clock
8	RW	0x0	pclk_spi2_en pclk_spi2 clock gating control. When high, disable clock
7	RW	0x0	pclk_spi1_en pclk_spi1 clock gating control. When high, disable clock
6	RW	0x0	pclk_spi0_en pclk_spi0 clock gating control. When high, disable clock

Bit	Attr	Reset Value	Description
5	RW	0x0	sclk_uart9_en sclk_uart9 clock gating control. When high, disable clock
4	RW	0x0	clk_uart9_frac_en clk_uart9_frac clock gating control. When high, disable clock
3	RW	0x0	clk_uart9_en clk_uart9_src clock gating control. When high, disable clock
2	RW	0x0	sclk_uart8_en sclk_uart8 clock gating control. When high, disable clock
1	RW	0x0	clk_uart8_frac_en clk_uart8_frac clock gating control. When high, disable clock
0	RW	0x0	clk_uart8_en clk_uart8_src clock gating control. When high, disable clock

**CRU\_GATE\_CON15**

Address: Operational Base + offset (0x083C)

Bit	Attr	Reset Value	Description
31:16	WO	0x0000	write_enable Write enable for lower 16 bits, each bit is individual. 1'b0: Write access disable 1'b1: Write access enable
15	RW	0x0	clk_bustimer0_en clk_bustimer0 clock gating control. When high, disable clock
14	RW	0x0	clk_bustimer_root_en clk_bus_timer_root clock gating control. When high, disable clock
13	RW	0x0	pclk_bustimer1_en pclk_bustimer1 clock gating control. When high, disable clock
12	RW	0x0	pclk_bustimer0_en pclk_bustimer0 clock gating control. When high, disable clock
11	RW	0x0	clk_pwm3_capture_en clk_pwm3_capture clock gating control. When high, disable clock
10	RW	0x0	clk_pwm3_en clk_pwm3 clock gating control. When high, disable clock
9	RW	0x0	pclk_pwm3_en pclk_pwm3 clock gating control. When high, disable clock
8	RW	0x0	clk_pwm2_capture_en clk_pwm2_capture clock gating control. When high, disable clock
7	RW	0x0	clk_pwm2_en clk_pwm2 clock gating control. When high, disable clock

Bit	Attr	Reset Value	Description
6	RW	0x0	pclk_pwm2_en pclk_pwm2 clock gating control. When high, disable clock
5	RW	0x0	clk_pwm1_capture_en clk_pwm1_capture clock gating control. When high, disable clock
4	RW	0x0	clk_pwm1_en clk_pwm1 clock gating control. When high, disable clock
3	RW	0x0	pclk_pwm1_en pclk_pwm1 clock gating control. When high, disable clock
2	RW	0x0	pclk_sys_grf_en pclk_sys_grf clock gating control. When high, disable clock
1	RW	0x0	tclk_wdt0_en tclk_wdt0 clock gating control. When high, disable clock
0	RW	0x0	pclk_wdt0_en pclk_wdt0 clock gating control. When high, disable clock

**CRU\_GATE\_CON16**

Address: Operational Base + offset (0x0840)

Bit	Attr	Reset Value	Description
31:16	WO	0x0000	write_enable Write enable for lower 16 bits, each bit is individual. 1'b0: Write access disable 1'b1: Write access enable
15	RW	0x0	dbclk_gpio1_en dbclk_gpio1 clock gating control. When high, disable clock
14	RW	0x0	pclk_gpio1_en pclk_gpio1 clock gating control. When high, disable clock
13	RW	0x0	pclk_mailbox2_en pclk_mailbox2 clock gating control. When high, disable clock
12	RW	0x0	pclk_mailbox1_en pclk_mailbox1 clock gating control. When high, disable clock
11	RW	0x0	pclk_mailbox0_en pclk_mailbox0 clock gating control. When high, disable clock
10	RW	0x0	clk_bustimer11_en clk_bustimer11 clock gating control. When high, disable clock
9	RW	0x0	clk_bustimer10_en clk_bustimer10 clock gating control. When high, disable clock
8	RW	0x0	clk_bustimer9_en clk_bustimer9 clock gating control. When high, disable clock

Bit	Attr	Reset Value	Description
7	RW	0x0	clk_bustimer8_en clk_bustimer8 clock gating control. When high, disable clock
6	RW	0x0	clk_bustimer7_en clk_bustimer7 clock gating control. When high, disable clock
5	RW	0x0	clk_bustimer6_en clk_bustimer6 clock gating control. When high, disable clock
4	RW	0x0	clk_bustimer5_en clk_bustimer5 clock gating control. When high, disable clock
3	RW	0x0	clk_bustimer4_en clk_bustimer4 clock gating control. When high, disable clock
2	RW	0x0	clk_bustimer3_en clk_bustimer3 clock gating control. When high, disable clock
1	RW	0x0	clk_bustimer2_en clk_bustimer2 clock gating control. When high, disable clock
0	RW	0x0	clk_bustimer1_en clk_bustimer1 clock gating control. When high, disable clock

**CRU\_GATE\_CON17**

Address: Operational Base + offset (0x0844)

Bit	Attr	Reset Value	Description
31:16	WO	0x0000	write_enable Write enable for lower 16 bits, each bit is individual. 1'b0: Write access disable 1'b1: Write access enable
15	RW	0x0	pclk_apb2asb_mst_bot_right_en pclk_apb2asb_mst_bot_right clock gating control. When high, disable clock
14	RW	0x0	pclk_apb2asb_mst_cdphy_en pclk_apb2asb_mst_cdphy clock gating control. When high, disable clock
13	RW	0x0	pclk_apb2asb_mst_top_en pclk_apb2asb_mst_top clock gating control. When high, disable clock
12	RW	0x0	pclk_dft2apb_en pclk_dft2apb clock gating control. When high, disable clock
11	RW	0x0	aclk_gicadb_gic2core_bus_en aclk_gicadb_gic2core_bus clock gating control. When high, disable clock
10	RO	0x0	reserved
9	RW	0x0	pclk_top_en pclk_top clock gating control. When high, disable clock
8	RW	0x0	dclk_decom_en dclk_decom clock gating control. When high, disable clock

Bit	Attr	Reset Value	Description
7	RW	0x0	pclk_decom_en pclk_decom clock gating control. When high, disable clock
6	RW	0x0	aclk_decom_en aclk_decom clock gating control. When high, disable clock
5	RW	0x0	dbclk_gpio4_en dbclk_gpio4 clock gating control. When high, disable clock
4	RW	0x0	pclk_gpio4_en pclk_gpio4 clock gating control. When high, disable clock
3	RW	0x0	dbclk_gpio3_en dbclk_gpio3 clock gating control. When high, disable clock
2	RW	0x0	pclk_gpio3_en pclk_gpio3 clock gating control. When high, disable clock
1	RW	0x0	dbclk_gpio2_en dbclk_gpio2 clock gating control. When high, disable clock
0	RW	0x0	pclk_gpio2_en pclk_gpio2 clock gating control. When high, disable clock

**CRU\_GATE\_CON18**

Address: Operational Base + offset (0x0848)

Bit	Attr	Reset Value	Description
31:16	WO	0x0000	write_enable Write enable for lower 16 bits, each bit is individual. 1'b0: Write access disable 1'b1: Write access enable
15:14	RO	0x0	reserved
13	RW	0x0	clk_otpc_phy_en clk_otpc_phy_g clock gating control. When high, disable clock
12	RW	0x0	clk_otpc_auto_rd_en clk_otpc_auto_rd_g clock gating control. When high, disable clock
11	RW	0x0	clk_otpc_arb_en clk_otpc_arb clock gating control. When high, disable clock
10	RW	0x0	clk_otpc_ns_en clk_otpc_ns clock gating control. When high, disable clock
9	RW	0x0	pclk_otpc_ns_en pclk_otpc_ns clock gating control. When high, disable clock
8:7	RO	0x0	reserved
6	RW	0x0	aclk_spinlock_en aclk_spinlock clock gating control. When high, disable clock
5	RW	0x0	pclk_apb2asb_mst_emmcio_en pclk_apb2asb_mst_emmcio clock gating control. When high, disable clock

Bit	Attr	Reset Value	Description
4	RW	0x0	pclk_apb2asb_mst_vccio6_en pclk_apb2asb_mst_vccio6 clock gating control. When high, disable clock
3	RW	0x0	pclk_apb2asb_mst_vccio3_5_en pclk_apb2asb_mst_vccio3_5 clock gating control. When high, disable clock
2	RW	0x0	pclk_apb2asb_mst_csiphy_en pclk_apb2asb_mst_csiphy clock gating control. When high, disable clock
1	RW	0x0	pclk_apb2asb_mst_ioc_right_en pclk_apb2asb_mst_ioc_right clock gating control. When high, disable clock
0	RW	0x0	pclk_apb2asb_mst_ioc_top_en pclk_apb2asb_mst_ioc_top clock gating control. When high, disable clock

**CRU\_GATE\_CON19**

Address: Operational Base + offset (0x084C)

Bit	Attr	Reset Value	Description
31:16	WO	0x0000	write_enable Write enable for lower 16 bits, each bit is individual. 1'b0: Write access disable 1'b1: Write access enable
15:6	RO	0x000	reserved
5	RW	0x0	pclk_ddrcm0_intmux_en pclk_ddrcm0_intmux clock gating control. When high, disable clock
4	RW	0x0	pclk_pmucm0_intmux_en pclk_pmucm0_intmux clock gating control. When high, disable clock
3	RW	0x0	pclk_pmu2_en pclk_pmu2 clock gating control. When high, disable clock
2	RW	0x0	clk_bisrintf_en clk_bisrintf clock gating control. When high, disable clock
1	RW	0x0	clk_bisrintf_pllsrc_en clk_bisrintf_pllsrc clock gating control. When high, disable clock
0	RW	0x0	pclk_busioc_en pclk_busioc clock gating control. When high, disable clock

**CRU\_GATE\_CON20**

Address: Operational Base + offset (0x0850)

Bit	Attr	Reset Value	Description
31:16	WO	0x0000	write_enable Write enable for lower 16 bits, each bit is individual. 1'b0: Write access disable 1'b1: Write access enable
15	RW	0x0	pclk_ddr_standby_ch1_en pclk_ddr_standby_ch1 clock gating control. When high, disable clock

Bit	Attr	Reset Value	Description
14	RW	0x0	pclk_ddr_mon_ch1_en pclk_ddr_mon_ch1 clock gating control. When high, disable clock
13	RW	0x0	pclk_ddr_dfictl_ch1_en pclk_ddr_dfictl_ch1 clock gating control. When high, disable clock
12	RW	0x0	aclk_ddr_upctl_ch0_en aclk_ddr_upctl_ch0 clock gating control. When high, disable clock
11	RW	0x0	clk_ddr_standby_ch0_en clk_ddr_standby_ch0 clock gating control. When high, disable clock
10	RW	0x0	clk_ddr_mon_ch0_en clk_ddr_mon_ch0 clock gating control. When high, disable clock
9	RW	0x0	clk_ddr_dfictl_ch0_en clk_ddr_dfictl_ch0 clock gating control. When high, disable clock
8	RW	0x0	clk_ddr_upctl_ch0_en clk_ddr_upctl_ch0 clock gating control. When high, disable clock
7	RW	0x0	clk_sbr_ch0_en clk_sbr_ch0 clock gating control. When high, disable clock
6	RW	0x0	clk_dfi_ch0_en clk_dfi_ch0 clock gating control. When high, disable clock
5	RW	0x0	pclk_ddr_grf_ch01_en pclk_ddr_grf_ch01 clock gating control, both ddr ch0 and ddr ch1. When high, disable clock
4	RW	0x0	tmclk_ddr_mon_ch0_en tmclk_ddr_mon_ch0 clock gating control. When high, disable clock
3	RW	0x0	pclk_ddr_upctl_ch0_en pclk_ddr_upctl_ch0 clock gating control. When high, disable clock
2	RW	0x0	pclk_ddr_standby_ch0_en pclk_ddr_standby_ch0 clock gating control. When high, disable clock
1	RW	0x0	pclk_ddr_mon_ch0_en pclk_ddr_mon_ch0 clock gating control. When high, disable clock
0	RW	0x0	pclk_ddr_dfictl_ch0_en pclk_ddr_dfictl_ch0 clock gating control. When high, disable clock

**CRU\_GATE\_CON21**

Address: Operational Base + offset (0x0854)

Bit	Attr	Reset Value	Description
31:16	WO	0x0000	write_enable Write enable for lower 16 bits, each bit is individual. 1'b0: Write access disable 1'b1: Write access enable



Bit	Attr	Reset Value	Description
15	RW	0x0	aclk_ddr_frs_ddrsch0_en aclk_ddr_frs_ddrsch0 clock gating control. When high, disable clock
14	RW	0x0	aclk_ddr_rs_ddrsch0_en aclk_ddr_rs_ddrsch0 clock gating control. When high, disable clock
13	RW	0x0	aclk_ddr_ddrsch0_en aclk_ddr_ddrsch0 clock gating control. When high, disable clock
12:9	RO	0x0	reserved
8	RW	0x0	aclk_ddr_upctl_ch1_en aclk_ddr_upctl_ch1 clock gating control. When high, disable clock
7	RW	0x0	clk_ddr_standby_ch1_en clk_ddr_standby_ch1 clock gating control. When high, disable clock
6	RW	0x0	clk_ddr_mon_ch1_en clk_ddr_mon_ch1 clock gating control. When high, disable clock
5	RW	0x0	clk_ddr_dfictl_ch1_en clk_ddr_dfictl_ch1 clock gating control. When high, disable clock
4	RW	0x0	clk_ddr_upctl_ch1_en clk_ddr_upctl_ch1 clock gating control. When high, disable clock
3	RW	0x0	clk_sbr_ch1_en clk_sbr_ch1 clock gating control. When high, disable clock
2	RW	0x0	clk_dfi_ch1_en clk_dfi_ch1 clock gating control. When high, disable clock
1	RW	0x0	tmclk_ddr_mon_ch1_en tmclk_ddr_mon_ch1 clock gating control. When high, disable clock
0	RW	0x0	pclk_ddr_upctl_ch1_en pclk_ddr_upctl_ch1 clock gating control. When high, disable clock

**CRU\_GATE\_CON22**

Address: Operational Base + offset (0x0858)

Bit	Attr	Reset Value	Description
31:16	WO	0x0000	write_enable Write enable for lower 16 bits, each bit is individual. 1'b0: Write access disable 1'b1: Write access enable
15:10	RO	0x00	reserved
9	RW	0x1	clk_testout_ddr01_en clk_testout_ddr01 clock gating control. When high, disable clock
8	RW	0x0	pclk_ddr_ddrsch1_en pclk_ddr_ddrsch1 clock gating control. When high, disable clock
7	RW	0x0	pclk_ddr_ddrsch0_en pclk_ddr_ddrsch0 clock gating control. When high, disable clock

Bit	Attr	Reset Value	Description
6	RW	0x0	aclk_ddr_frs_scramble1_en aclk_ddr_frs_scramble1 clock gating control. When high, disable clock
5	RW	0x0	aclk_ddr_scramble1_en aclk_ddr_scramble1 clock gating control. When high, disable clock
4	RW	0x0	aclk_ddr_frs_ddrsch1_en aclk_ddr_frs_ddrsch1 clock gating control. When high, disable clock
3	RW	0x0	aclk_ddr_rs_ddrsch1_en aclk_ddr_rs_ddrsch1 clock gating control. When high, disable clock
2	RW	0x0	aclk_ddr_ddrsch1_en aclk_ddr_ddrsch1 clock gating control. When high, disable clock
1	RW	0x0	aclk_ddr_frs_scramble0_en aclk_ddr_frs_scramble0 clock gating control. When high, disable clock
0	RW	0x0	aclk_ddr_scramble0_en aclk_ddr_scramble0 clock gating control. When high, disable clock

**CRU\_GATE\_CON23**

Address: Operational Base + offset (0x085C)

Bit	Attr	Reset Value	Description
31:16	WO	0x0000	write_enable Write enable for lower 16 bits, each bit is individual. 1'b0: Write access disable 1'b1: Write access enable
15	RW	0x0	pclk_ddr_standby_ch3_en pclk_ddr_standby_ch3 clock gating control. When high, disable clock
14	RW	0x0	pclk_ddr_mon_ch3_en pclk_ddr_mon_ch3 clock gating control. When high, disable clock
13	RW	0x0	pclk_ddr_dfictl_ch3_en pclk_ddr_dfictl_ch3 clock gating control. When high, disable clock
12	RW	0x0	aclk_ddr_upctl_ch2_en aclk_ddr_upctl_ch2 clock gating control. When high, disable clock
11	RW	0x0	clk_ddr_standby_ch2_en clk_ddr_standby_ch2 clock gating control. When high, disable clock
10	RW	0x0	clk_ddr_mon_ch2_en clk_ddr_mon_ch2 clock gating control. When high, disable clock
9	RW	0x0	clk_ddr_dfictl_ch2_en clk_ddr_dfictl_ch2 clock gating control. When high, disable clock
8	RW	0x0	clk_ddr_upctl_ch2_en clk_ddr_upctl_ch2 clock gating control. When high, disable clock

Bit	Attr	Reset Value	Description
7	RW	0x0	clk_sbr_ch2_en clk_sbr_ch2 clock gating control. When high, disable clock
6	RW	0x0	clk_dfi_ch2_en clk_dfi_ch2 clock gating control. When high, disable clock
5	RW	0x0	pclk_ddr_grf_ch23_en pclk_ddr_grf_ch23 clock gating control, both ddr ch2 and ddr ch3. When high, disable clock
4	RW	0x0	tmclk_ddr_mon_ch2_en tmclk_ddr_mon_ch2 clock gating control. When high, disable clock
3	RW	0x0	pclk_ddr_upctl_ch2_en pclk_ddr_upctl_ch2 clock gating control. When high, disable clock
2	RW	0x0	pclk_ddr_standby_ch2_en pclk_ddr_standby_ch2 clock gating control. When high, disable clock
1	RW	0x0	pclk_ddr_mon_ch2_en pclk_ddr_mon_ch2 clock gating control. When high, disable clock
0	RW	0x0	pclk_ddr_dfictl_ch2_en pclk_ddr_dfictl_ch2 clock gating control. When high, disable clock

**CRU\_GATE\_CON24**

Address: Operational Base + offset (0x0860)

Bit	Attr	Reset Value	Description
31:16	WO	0x0000	write_enable Write enable for lower 16 bits, each bit is individual. 1'b0: Write access disable 1'b1: Write access enable
15	RW	0x0	aclk_ddr_frs_ddrsch2_en aclk_ddr_frs_ddrsch2 clock gating control. When high, disable clock
14	RW	0x0	aclk_ddr_rs_ddrsch2_en aclk_ddr_rs_ddrsch2 clock gating control. When high, disable clock
13	RW	0x0	aclk_ddr_ddrsch2_en aclk_ddr_ddrsch2 clock gating control. When high, disable clock
12:9	RO	0x0	reserved
8	RW	0x0	aclk_ddr_upctl_ch3_en aclk_ddr_upctl_ch3 clock gating control. When high, disable clock
7	RW	0x0	clk_ddr_standby_ch3_en clk_ddr_standby_ch3 clock gating control. When high, disable clock
6	RW	0x0	clk_ddr_mon_ch3_en clk_ddr_mon_ch3 clock gating control. When high, disable clock
5	RW	0x0	clk_ddr_dfictl_ch3_en clk_ddr_dfictl_ch3 clock gating control. When high, disable clock

Bit	Attr	Reset Value	Description
4	RW	0x0	clk_dds_upctl_ch3_en clk_dds_upctl_ch3 clock gating control. When high, disable clock
3	RW	0x0	clk_sbr_ch3_en clk_sbr_ch3 clock gating control. When high, disable clock
2	RW	0x0	clk_dfi_ch3_en clk_dfi_ch3 clock gating control. When high, disable clock
1	RW	0x0	tmclk_dds_mon_ch3_en tmclk_dds_mon_ch3 clock gating control. When high, disable clock
0	RW	0x0	pclk_dds_upctl_ch3_en pclk_dds_upctl_ch3 clock gating control. When high, disable clock

**CRU\_GATE\_CON25**

Address: Operational Base + offset (0x0864)

Bit	Attr	Reset Value	Description
31:16	WO	0x0000	write_enable Write enable for lower 16 bits, each bit is individual. 1'b0: Write access disable 1'b1: Write access enable
15:10	RO	0x00	reserved
9	RW	0x1	clk_testout_dds23_en clk_testout_dds23 clock gating control. When high, disable clock
8	RW	0x0	pclk_dds_dds3_en pclk_dds_dds3 clock gating control. When high, disable clock
7	RW	0x0	pclk_dds_dds2_en pclk_dds_dds2 clock gating control. When high, disable clock
6	RW	0x0	aclk_dds_frs_scramble3_en aclk_dds_frs_scramble3 clock gating control. When high, disable clock
5	RW	0x0	aclk_dds_scramble3_en aclk_dds_scramble3 clock gating control. When high, disable clock
4	RW	0x0	aclk_dds_frs_dds3_en aclk_dds_frs_dds3 clock gating control. When high, disable clock
3	RW	0x0	aclk_dds_rs_dds3_en aclk_dds_rs_dds3 clock gating control. When high, disable clock
2	RW	0x0	aclk_dds_dds3_en aclk_dds_dds3 clock gating control. When high, disable clock
1	RW	0x0	aclk_dds_frs_scramble2_en aclk_dds_frs_scramble2 clock gating control. When high, disable clock
0	RW	0x0	aclk_dds_scramble2_en aclk_dds_scramble2 clock gating control. When high, disable clock

**CRU\_GATE\_CON26**

Address: Operational Base + offset (0x0868)

Bit	Attr	Reset Value	Description
31:16	WO	0x0000	write_enable Write enable for lower 16 bits, each bit is individual. 1'b0: Write access disable 1'b1: Write access enable
15:9	RO	0x00	reserved
8	RW	0x0	hclk_isp1_biu_en hclk_isp1_biu clock gating control. When high, disable clock
7	RW	0x0	hclk_isp1_en hclk_isp1 clock gating control. When high, disable clock
6	RW	0x0	aclk_isp1_biu_en aclk_isp1_biu clock gating control. When high, disable clock
5	RW	0x0	aclk_isp1_en aclk_isp1 clock gating control. When high, disable clock
4	RW	0x0	clk_isp1_core_vicap_en clk_isp1_core_vicap clock gating control. When high, disable clock
3	RW	0x0	clk_isp1_core_marvin_en clk_isp1_core_marvin clock gating control. When high, disable clock
2	RW	0x0	clk_isp1_core_en clk_isp1_core clock gating control. When high, disable clock
1	RW	0x0	hclk_isp1_root_en hclk_isp1_root clock gating control. When high, disable clock
0	RW	0x0	aclk_isp1_root_en aclk_isp1_root clock gating control. When high, disable clock

**CRU\_GATE\_CON27**

Address: Operational Base + offset (0x086C)

Bit	Attr	Reset Value	Description
31:16	WO	0x0000	write_enable Write enable for lower 16 bits, each bit is individual. 1'b0: Write access disable 1'b1: Write access enable
15:4	RO	0x0000	reserved
3	RW	0x0	hclk_rknn1_biu_en hclk_rknn1_biu clock gating control. When high, disable clock
2	RW	0x0	hclk_rknn1_en hclk_rknn1 clock gating control. When high, disable clock
1	RW	0x0	aclk_rknn1_biu_en aclk_rknn1_biu clock gating control. When high, disable clock
0	RW	0x0	aclk_rknn1_en aclk_rknn1 clock gating control. When high, disable clock

**CRU\_GATE\_CON28**

Address: Operational Base + offset (0x0870)

Bit	Attr	Reset Value	Description
31:16	WO	0x0000	write_enable Write enable for lower 16 bits, each bit is individual. 1'b0: Write access disable 1'b1: Write access enable
15:4	RO	0x000	reserved
3	RW	0x0	hclk_rknn2_biu_en hclk_rknn2_biu clock gating control. When high, disable clock
2	RW	0x0	hclk_rknn2_en hclk_rknn2 clock gating control. When high, disable clock
1	RW	0x0	aclk_rknn2_biu_en aclk_rknn2_biu clock gating control. When high, disable clock
0	RW	0x0	aclk_rknn2_en aclk_rknn2 clock gating control. When high, disable clock

**CRU\_GATE\_CON29**

Address: Operational Base + offset (0x0874)

Bit	Attr	Reset Value	Description
31:16	WO	0x0000	write_enable Write enable for lower 16 bits, each bit is individual. 1'b0: Write access disable 1'b1: Write access enable
15	RW	0x0	clk_npu_pvtm_en clk_npu_pvtm clock gating control. When high, disable clock
14	RW	0x0	clk_pvtm1_en clk_pvtm1 clock gating control. When high, disable clock
13	RW	0x0	pclk_npu_grf_en pclk_npu_grf clock gating control. When high, disable clock
12	RW	0x0	pclk_pvtm1_en pclk_pvtm1 clock gating control. When high, disable clock
11	RW	0x0	tclk_npu_wdt_en tclk_npu_wdt clock gating control. When high, disable clock
10	RW	0x0	pclk_npu_wdt_en pclk_npu_wdt clock gating control. When high, disable clock
9	RW	0x0	clk_nputimer1_en clk_nputimer1 clock gating control. When high, disable clock
8	RW	0x0	clk_nputimer0_en clk_nputimer0 clock gating control. When high, disable clock
7	RW	0x0	clk_nputimer_root_en clk_nputimer_root clock gating control. When high, disable clock

Bit	Attr	Reset Value	Description
6	RW	0x0	pclk_npu_timer_en pclk_npu_timer clock gating control. When high, disable clock
5	RW	0x0	pclk_nputop_biu_en pclk_nputop_biu clock gating control. When high, disable clock
4	RW	0x0	pclk_nputop_root_en pclk_nputop_root clock gating control. When high, disable clock
3	RW	0x0	clk_rknn_dsu0_en clk_rknn_dsu0 clock gating control. When high, disable clock
2	RW	0x1	clk_testout_npu_en clk_testout_npu clock gating control. When high, disable clock
1	RW	0x0	clk_rknn_dsu0_df_en clk_rknn_dsu0_src_t clock gating control. When high, disable clock
0	RW	0x0	hclk_rknn_root_en hclk_rknn_root clock gating control. When high, disable clock

**CRU\_GATE\_CON30**

Address: Operational Base + offset (0x0878)

Bit	Attr	Reset Value	Description
31:16	WO	0x0000	write_enable Write enable for lower 16 bits, each bit is individual. 1'b0: Write access disable 1'b1: Write access enable
15:10	RO	0x00	reserved
9	RW	0x0	hclk_rknn0_biu_en hclk_rknn0_biu clock gating control. When high, disable clock
8	RW	0x0	hclk_rknn0_en hclk_rknn0 clock gating control. When high, disable clock
7	RW	0x0	aclk_rknn0_biu_en aclk_rknn0_biu clock gating control. When high, disable clock
6	RW	0x0	aclk_rknn0_en aclk_rknn0 clock gating control. When high, disable clock
5	RW	0x0	clk_npu_cm0_rtc_en clk_npu_cm0_rtc clock gating control. When high, disable clock
4	RO	0x0	reserved
3	RW	0x0	fclk_npu_cm0_core_en fclk_npu_cm0_core clock gating control. When high, disable clock
2	RW	0x0	hclk_npu_cm0_biu_en hclk_npu_cm0_biu clock gating control. When high, disable clock
1	RW	0x0	hclk_npu_cm0_root_en hclk_npu_cm0_root clock gating control. When high, disable clock

Bit	Attr	Reset Value	Description
0	RW	0x0	clk_npu_pvtpll_en clk_npu_pvtpll clock gating control. When high, disable clock

**CRU\_GATE\_CON31**

Address: Operational Base + offset (0x087C)

Bit	Attr	Reset Value	Description
31:16	WO	0x0000	write_enable Write enable for lower 16 bits, each bit is individual. 1'b0: Write access disable 1'b1: Write access enable
15:12	RO	0x0	reserved
11	RW	0x0	hclk_sfc_xip_en hclk_sfc_xip clock gating control. When high, disable clock
10	RW	0x0	hclk_sfc_en hclk_sfc clock gating control. When high, disable clock
9	RW	0x0	sclk_sfc_en sclk_sfc clock gating control. When high, disable clock
8	RW	0x0	tmclk_emmc_en tmclk_emmc clock gating control. When high, disable clock
7	RW	0x0	bclk_emmc_en bclk_emmc clock gating control. When high, disable clock
6	RW	0x0	cclk_emmc_en cclk_emmc clock gating control. When high, disable clock
5	RW	0x0	aclk_emmc_en aclk_emmc clock gating control. When high, disable clock
4	RW	0x0	hclk_emmc_en hclk_emmc clock gating control. When high, disable clock
3	RW	0x0	aclk_nvm_biu_en aclk_nvm_biu clock gating control. When high, disable clock
2	RW	0x0	hclk_nvm_biu_en hclk_nvm_biu clock gating control. When high, disable clock
1	RW	0x0	aclk_nvm_root_en aclk_nvm_root clock gating control. When high, disable clock
0	RW	0x0	hclk_nvm_root_en hclk_nvm_root clock gating control. When high, disable clock

**CRU\_GATE\_CON32**

Address: Operational Base + offset (0x0880)



Bit	Attr	Reset Value	Description
31:16	WO	0x0000	write_enable Write enable for lower 16 bits, each bit is individual. 1'b0: Write access disable 1'b1: Write access enable
15	RW	0x0	aclk_pcie_1l0_dbi_en aclk_pcie_1l0_dbi clock gating control. When high, disable clock
14	RW	0x0	aclk_pcie_2l_dbi_en aclk_pcie_2l_dbi clock gating control. When high, disable clock
13	RW	0x0	aclk_pcie_4l_dbi_en aclk_pcie_4l_dbi clock gating control. When high, disable clock
12	RW	0x0	aclk_pcie_biu_en aclk_pcie_biu clock gating control. When high, disable clock
11	RW	0x0	aclk_gmac1_en aclk_gmac1 clock gating control. When high, disable clock
10	RW	0x0	aclk_gmac0_en aclk_gmac0 clock gating control. When high, disable clock
9	RW	0x0	aclk_php_biu_en aclk_php_biu clock gating control. When high, disable clock
8	RW	0x0	aclk_pcie_bridge_en aclk_pcie_gridge clock gating control. When high, disable clock
7	RW	0x0	aclk_php_root_en aclk_php_root clock gating control. When high, disable clock
6	RW	0x0	aclk_pcie_root_en aclk_pcie_root clock gating control. When high, disable clock
5	RW	0x0	pclk_php_biu_en pclk_php_biu clock gating control. When high, disable clock
4	RW	0x0	pclk_gmac1_en pclk_gmac1 clock gating control. When high, disable clock
3	RW	0x0	pclk_gmac0_en pclk_gmac0 clock gating control. When high, disable clock
2	RW	0x0	pclk_dec_biu_en pclk_dec_biu clock gating control. When high, disable clock
1	RW	0x0	pclk_grf_en pclk_grf clock gating control. When high, disable clock
0	RW	0x0	pclk_php_root_en pclk_php_root clock gating control. When high, disable clock

**CRU\_GATE\_CON33**

Address: Operational Base + offset (0x0884)

Bit	Attr	Reset Value	Description
31:16	WO	0x0000	write_enable Write enable for lower 16 bits, each bit is individual. 1'b0: Write access disable 1'b1: Write access enable
15	RW	0x0	pclk_pcie_1l1_en pclk_pcie_1l1 clock gating control. When high, disable clock
14	RW	0x0	pclk_pcie_1l0_en pclk_pcie_1l0 clock gating control. When high, disable clock
13	RW	0x0	pclk_pcie_2l_en pclk_pcie_2l clock gating control. When high, disable clock
12	RW	0x0	pclk_pcie_4l_en pclk_pcie_4l clock gating control. When high, disable clock
11	RW	0x0	aclk_pcie_1l2_slv_en aclk_pcie_1l2_slv clock gating control. When high, disable clock
10	RW	0x0	aclk_pcie_1l1_slv_en aclk_pcie_1l1_slv clock gating control. When high, disable clock
9	RW	0x0	aclk_pcie_1l0_slv_en aclk_pcie_1l0_slv clock gating control. When high, disable clock
8	RW	0x0	aclk_pcie_2l_slv_en aclk_pcie_2l_slv clock gating control. When high, disable clock
7	RW	0x0	aclk_pcie_4l_slv_en aclk_pcie_4l_slv clock gating control. When high, disable clock
6	RW	0x0	aclk_pcie_1l2_mstr_en aclk_pcie_1l2_mstr clock gating control. When high, disable clock
5	RW	0x0	aclk_pcie_1l1_mstr_en aclk_pcie_1l1_mstr clock gating control. When high, disable clock
4	RW	0x0	aclk_pcie_1l0_mstr_en aclk_pcie_1l0_mstr clock gating control. When high, disable clock
3	RW	0x0	aclk_pcie_2l_mstr_en aclk_pcie_2l_mstr clock gating control. When high, disable clock
2	RW	0x0	aclk_pcie_4l_mstr_en aclk_pcie_4l_mstr clock gating control. When high, disable clock
1	RW	0x0	aclk_pcie_1l2_dbi_en aclk_pcie_1l2_dbi clock gating control. When high, disable clock
0	RW	0x0	aclk_pcie_1l1_dbi_en aclk_pcie_1l1_dbi clock gating control. When high, disable clock

**CRU\_GATE\_CON34**

Address: Operational Base + offset (0x0888)

Bit	Attr	Reset Value	Description
31:16	WO	0x0000	write_enable Write enable for lower 16 bits, each bit is individual. 1'b0: Write access disable 1'b1: Write access enable
15:12	RO	0x0	reserved
11	RW	0x0	clk_gmac1_ptp_ref_en clk_gmac1_ptp_ref clock gating control. When high, disable clock
10	RW	0x0	clk_gmac0_ptp_ref_en clk_gmac0_ptp_ref clock gating control. When high, disable clock
9	RW	0x0	aclk_mmu_biu_en aclk_mmu_biu clock gating control. When high, disable clock
8	RW	0x0	aclk_mmu_php_en aclk_mmu_php clock gating control. When high, disable clock
7	RW	0x0	aclk_mmu_pcie_en aclk_mmu_pcie clock gating control. When high, disable clock
6	RW	0x0	aclk_php_gic_its_en aclk_php_gic_its clock gating control. When high, disable clock
5	RW	0x0	clk_pcie_1l2_aux_en clk_pcie_1l2_aux clock gating control. When high, disable clock
4	RW	0x0	clk_pcie_1l1_aux_en clk_pcie_1l1_aux clock gating control. When high, disable clock
3	RW	0x0	clk_pcie_1l0_aux_en clk_pcie_1l0_aux clock gating control. When high, disable clock
2	RW	0x0	clk_pcie_2l_aux_en clk_pcie_2l_aux clock gating control. When high, disable clock
1	RW	0x0	clk_pcie_4l_aux_en clk_pcie_4l_aux clock gating control. When high, disable clock
0	RW	0x0	pclk_pcie_1l2_en pclk_pcie_1l2 clock gating control. When high, disable clock

**CRU\_GATE\_CON35**

Address: Operational Base + offset (0x088C)

Bit	Attr	Reset Value	Description
31:16	WO	0x0000	write_enable Write enable for lower 16 bits, each bit is individual. 1'b0: Write access disable 1'b1: Write access enable
15:11	RO	0x00	reserved
10	RW	0x0	clk_utmi_otg2_en clk_utmi_otg2 clock gating control. When high, disable clock

Bit	Attr	Reset Value	Description
9	RW	0x0	ref_clk_usb3otg2_en ref_clk_usb3otg2 clock gating control. When high, disable clock
8	RW	0x0	suspend_clk_usb3otg2_en suspend_clk_usb3otg2 clock gating control. When high, disable clock
7	RW	0x0	aclk_usb3otg2_en aclk_usb3otg2 clock gating control. When high, disable clock
6	RW	0x0	clk_gmac_50m_cru_en clk_gmac_50m_cru_i clock gating control. When high, disable clock
5	RW	0x0	clk_gmac_125m_cru_en clk_gmac_125m_cru_i clock gating control. When high, disable clock
4:0	RO	0x00	reserved

**CRU\_GATE\_CON37**

Address: Operational Base + offset (0x0894)

Bit	Attr	Reset Value	Description
31:16	WO	0x0000	write_enable Write enable for lower 16 bits, each bit is individual. 1'b0: Write access disable 1'b1: Write access enable
15:13	RO	0x0	reserved
12	RW	0x0	clk_rxoob2_en clk_rxoob2 clock gating control. When high, disable clock
11	RW	0x0	clk_rxoob1_en clk_rxoob1 clock gating control. When high, disable clock
10	RW	0x0	clk_rxoob0_en clk_rxoob0 clock gating control. When high, disable clock
9	RW	0x0	aclk_sata2_en aclk_sata2 clock gating control. When high, disable clock
8	RW	0x0	aclk_sata1_en aclk_sata1 clock gating control. When high, disable clock
7	RW	0x0	aclk_sata0_en aclk_sata0 clock gating control. When high, disable clock
6	RW	0x0	clk_pmalive2_en clk_pmalive2 clock gating control. When high, disable clock
5	RW	0x0	clk_pmalive1_en clk_pmalive1 clock gating control. When high, disable clock
4	RW	0x0	clk_pmalive0_en clk_pmalive0 clock gating control. When high, disable clock
3	RO	0x0	reserved

Bit	Attr	Reset Value	Description
2	RW	0x0	clk_pipephy2_ref_en clk_pipephy2_ref clock gating control. When high, disable clock
1	RW	0x0	clk_pipephy1_ref_en clk_pipephy1_ref clock gating control. When high, disable clock
0	RW	0x0	clk_pipephy0_ref_en clk_pipephy0_ref clock gating control. When high, disable clock

**CRU\_GATE\_CON38**

Address: Operational Base + offset (0x0898)

Bit	Attr	Reset Value	Description
31:16	WO	0x0000	write_enable Write enable for lower 16 bits, each bit is individual. 1'b0: Write access disable 1'b1: Write access enable
15	RW	0x0	clk_pcie_1l1_pipe_en clk_pcie_1l1_pipe clock gating control. When high, disable clock
14	RW	0x0	clk_pcie_1l0_pipe_en clk_pcie_1l0_pipe clock gating control. When high, disable clock
13	RW	0x0	clk_pcie_1l2_pipe_en clk_pcie_1l2_pipe clock gating control. When high, disable clock
12:10	RO	0x0	reserved
9	RW	0x0	clk_pipephy2_pipe_u3_g_en clk_pipephy2_pipe_u3_g clock gating control. When high, disable clock
8	RW	0x0	clk_pipephy2_pipe_asic_g_en clk_pipephy2_pipe_asic_g clock gating control. When high, disable clock
7	RW	0x0	clk_pipephy1_pipe_asic_g_en clk_pipephy1_pipe_asic_g clock gating control. When high, disable clock
6	RW	0x0	clk_pipephy0_pipe_asic_g_en clk_pipephy0_pipe_asic_g clock gating control. When high, disable clock
5	RW	0x0	clk_pipephy2_pipe_g_en clk_pipephy2_pipe_g clock gating control. When high, disable clock
4	RW	0x0	clk_pipephy1_pipe_g_en clk_pipephy1_pipe_g clock gating control. When high, disable clock
3	RW	0x0	clk_pipephy0_pipe_g_en clk_pipephy0_pipe_g clock gating control. When high, disable clock
2:0	RO	0x0	reserved

**CRU\_GATE\_CON39**

Address: Operational Base + offset (0x089C)

Bit	Attr	Reset Value	Description
31:16	WO	0x0000	write_enable Write enable for lower 16 bits, each bit is individual. 1'b0: Write access disable 1'b1: Write access enable
15:2	RO	0x0000	reserved
1	RW	0x0	clk_pcie_2l_pipe_en clk_pcie_2l_pipe clock gating control. When high, disable clock
0	RW	0x0	clk_pcie_4l_pipe_en clk_pcie_4l_pipe clock gating control. When high, disable clock

**CRU\_GATE\_CON40**

Address: Operational Base + offset (0x08A0)

Bit	Attr	Reset Value	Description
31:16	WO	0x0000	write_enable Write enable for lower 16 bits, each bit is individual. 1'b0: Write access disable 1'b1: Write access enable
15:10	RO	0x00	reserved
9	RW	0x0	clk_rkvdec0_core_en clk_rkvdec0_core clock gating control. When high, disable clock
8	RW	0x0	clk_rkvdec0_hevc_ca_en clk_rkvdec0_hevc_ca clock gating control. When high, disable clock
7	RW	0x0	clk_rkvdec0_ca_en clk_rkvdec0_ca clock gating control. When high, disable clock
6	RW	0x0	aclk_rkvdec0_biu_en aclk_rkvdec0_biu clock gating control. When high, disable clock
5	RW	0x0	hclk_rkvdec0_biu_en hclk_rkvdec0_biu clock gating control. When high, disable clock
4	RW	0x0	aclk_rkvdec0_en aclk_rkvdec0 clock gating control. When high, disable clock
3	RW	0x0	hclk_rkvdec0_en hclk_rkvdec0 clock gating control. When high, disable clock
2	RW	0x0	aclk_rkvdec0_ccu_en aclk_rkvdec0_ccu clock gating control. When high, disable clock
1	RW	0x0	aclk_rkvdec0_root_en aclk_rkvdec0_root clock gating control. When high, disable clock
0	RW	0x0	hclk_rkvdec0_root_en hclk_rkvdec0_root clock gating control. When high, disable clock

**CRU\_GATE\_CON41**

Address: Operational Base + offset (0x08A4)

Bit	Attr	Reset Value	Description
31:16	WO	0x0000	write_enable Write enable for lower 16 bits, each bit is individual. 1'b0: Write access disable 1'b1: Write access enable
15:9	RO	0x00	reserved
8	RW	0x0	clk_rkvdec1_core_en clk_rkvdec1_core clock gating control. When high, disable clock
7	RW	0x0	clk_rkvdec1_hevc_ca_en clk_rkvdec1_hevc_ca clock gating control. When high, disable clock
6	RW	0x0	clk_rkvdec1_ca_en clk_rkvdec1_ca clock gating control. When high, disable clock
5	RW	0x0	aclk_rkvdec1_biu_en aclk_rkvdec1_biu clock gating control. When high, disable clock
4	RW	0x0	hclk_rkvdec1_biu_en hclk_rkvdec1_biu clock gating control. When high, disable clock
3	RW	0x0	aclk_rkvdec1_en aclk_rkvdec1 clock gating control. When high, disable clock
2	RW	0x0	hclk_rkvdec1_en hclk_rkvdec1 clock gating control. When high, disable clock
1	RW	0x0	aclk_rkvdec1_root_en aclk_rkvdec1_root clock gating control. When high, disable clock
0	RW	0x0	hclk_rkvdec1_root_en hclk_rkvdec1_root clock gating control. When high, disable clock

**CRU\_GATE\_CON42**

Address: Operational Base + offset (0x08A8)

Bit	Attr	Reset Value	Description
31:16	WO	0x0000	write_enable Write enable for lower 16 bits, each bit is individual. 1'b0: Write access disable 1'b1: Write access enable
15	RW	0x0	utmi_ohci_clk48_host0_en utmi_ohci_clk48_host0 clock gating control. When high, disable clock
14	RW	0x0	aclk_usb_grf_en aclk_usb_grf clock gating control. When high, disable clock
13	RW	0x0	hclk_host_arb1_en hclk_host_arb1 clock gating control. When high, disable clock
12	RW	0x0	hclk_host1_en hclk_host1 clock gating control. When high, disable clock
11	RW	0x0	hclk_host_arb0_en hclk_host_arb0 clock gating control. When high, disable clock

Bit	Attr	Reset Value	Description
10	RW	0x0	hclk_host0_en hclk_host0 clock gating control. When high, disable clock
9	RW	0x0	ref_clk_usb3otg1_en ref_clk_usb3otg1 clock gating control. When high, disable clock
8	RW	0x0	suspend_clk_usb3otg1_en suspend_clk_usb3otg1 clock gating control. When high, disable clock
7	RW	0x0	aclk_usb3otg1_en aclk_usb3otg1 clock gating control. When high, disable clock
6	RW	0x0	ref_clk_usb3otg0_en ref_clk_usb3otg0 clock gating control. When high, disable clock
5	RW	0x0	suspend_clk_usb3otg0_en suspend_clk_usb3otg0 clock gating control. When high, disable clock
4	RW	0x0	aclk_usb3otg0_en aclk_usb3otg0 clock gating control. When high, disable clock
3	RW	0x0	hclk_usb_biu_en hclk_usb_biu clock gating control. When high, disable clock
2	RW	0x0	aclk_usb_biu_en aclk_usb_biu clock gating control. When high, disable clock
1	RW	0x0	hclk_usb_root_en hclk_usb_root clock gating control. When high, disable clock
0	RW	0x0	aclk_usb_root_en aclk_usb_root clock gating control. When high, disable clock

**CRU\_GATE\_CON43**

Address: Operational Base + offset (0x08AC)

Bit	Attr	Reset Value	Description
31:16	WO	0x0000	write_enable Write enable for lower 16 bits, each bit is individual. 1'b0: Write access disable 1'b1: Write access enable
15:1	RO	0x0000	reserved
0	RW	0x0	utmi_ohci_clk48_host1_en utmi_ohci_clk48_host1 clock gating control. When high, disable clock

**CRU\_GATE\_CON44**

Address: Operational Base + offset (0x08B0)

Bit	Attr	Reset Value	Description
31:16	WO	0x0000	write_enable Write enable for lower 16 bits, each bit is individual. 1'b0: Write access disable 1'b1: Write access enable



Bit	Attr	Reset Value	Description
15	RW	0x0	hclk_jpeg_encoder2_en hclk_jpeg_encoder2 clock gating control. When high, disable clock
14	RW	0x0	aclk_jpeg_encoder2_en aclk_jpeg_encoder2 clock gating control. When high, disable clock
13	RW	0x0	hclk_jpeg_encoder1_en hclk_jpeg_encoder1 clock gating control. When high, disable clock
12	RW	0x0	aclk_jpeg_encoder1_en aclk_jpeg_encoder1 clock gating control. When high, disable clock
11	RW	0x0	hclk_jpeg_encoder0_en hclk_jpeg_encoder0 clock gating control. When high, disable clock
10	RW	0x0	aclk_jpeg_encoder0_en aclk_jpeg_encoder0 clock gating control. When high, disable clock
9	RW	0x0	hclk_vpu_en hclk_vpu clock gating control. When high, disable clock
8	RW	0x0	aclk_vpu_en aclk_vpu clock gating control. When high, disable clock
7	RW	0x0	aclk_jpeg_decoder_biu_en aclk_jpeg_decoder_biu clock gating control. When high, disable clock
6	RW	0x0	hclk_vdpu_biu_en hclk_vdpu_biu clock gating control. When high, disable clock
5	RW	0x0	aclk_vdpu_low_biu_en aclk_vdpu_low_biu clock gating control. When high, disable clock
4	RW	0x0	aclk_vdpu_biu_en aclk_vdpu_biu clock gating control. When high, disable clock
3	RW	0x0	aclk_jpeg_decoder_root_en aclk_jpeg_decoder_root clock gating control. When high, disable clock
2	RW	0x0	hclk_vdpu_root_en hclk_vdpu_root clock gating control. When high, disable clock
1	RW	0x0	aclk_vdpu_low_root_en aclk_vdpu_low_root clock gating control. When high, disable clock
0	RW	0x0	aclk_vdpu_root_en aclk_vdpu_root clock gating control. When high, disable clock

**CRU\_GATE\_CON45**

Address: Operational Base + offset (0x08B4)

Bit	Attr	Reset Value	Description
31:16	WO	0x0000	write_enable Write enable for lower 16 bits, each bit is individual. 1'b0: Write access disable 1'b1: Write access enable
15:13	RO	0x0	reserved
12	RW	0x0	clk_rga3_0_core_en clk_rga3_0_core clock gating control. When high, disable clock
11	RW	0x0	aclk_rga3_0_en aclk_rga3_0 clock gating control. When high, disable clock
10	RW	0x0	hclk_rga3_0_en hclk_rga3_0 clock gating control. When high, disable clock
9	RW	0x0	clk_rga2_core_en clk_rga2_core clock gating control. When high, disable clock
8	RW	0x0	aclk_rga2_en aclk_rga2 clock gating control. When high, disable clock
7	RW	0x0	hclk_rga2_en hclk_rga2 clock gating control. When high, disable clock
6	RW	0x0	clk_iep2p0_core_en clk_iep2p0_core clock gating control. When high, disable clock
5	RW	0x0	aclk_iep2p0_en aclk_iep2p0 clock gating control. When high, disable clock
4	RW	0x0	hclk_iep2p0_en hclk_iep2p0 clock gating control. When high, disable clock
3	RW	0x0	hclk_jpeg_decoder_en hclk_jpeg_decoder clock gating control. When high, disable clock
2	RW	0x0	aclk_jpeg_decoder_en aclk_jpeg_decoder clock gating control. When high, disable clock
1	RW	0x0	hclk_jpeg_encoder3_en hclk_jpeg_encoder3 clock gating control. When high, disable clock
0	RW	0x0	aclk_jpeg_encoder3_en aclk_jpeg_encoder3 clock gating control. When high, disable clock

**CRU\_GATE\_CON47**

Address: Operational Base + offset (0x08BC)

Bit	Attr	Reset Value	Description
31:16	WO	0x0000	write_enable Write enable for lower 16 bits, each bit is individual. 1'b0: Write access disable 1'b1: Write access enable
15:7	RO	0x000	reserved

Bit	Attr	Reset Value	Description
6	RW	0x0	clk_rkvenc0_core_en clk_rkvenc0_core clock gating control. When high, disable clock
5	RW	0x0	aclk_rkvenc0_en aclk_rkvenc0 clock gating control. When high, disable clock
4	RW	0x0	hclk_rkvenc0_en hclk_rkvenc0 clock gating control. When high, disable clock
3	RW	0x0	aclk_rkvenc0_biu_en aclk_rkvenc0_biu clock gating control. When high, disable clock
2	RW	0x0	hclk_rkvenc0_biu_en hclk_rkvenc0_biu clock gating control. When high, disable clock
1	RW	0x0	aclk_rkvenc0_root_en aclk_rkvenc0_root clock gating control. When high, disable clock
0	RW	0x0	hclk_rkvenc0_root_en hclk_rkvenc0_root clock gating control. When high, disable clock

**CRU\_GATE\_CON48**

Address: Operational Base + offset (0x08C0)

Bit	Attr	Reset Value	Description
31:16	WO	0x0000	write_enable Write enable for lower 16 bits, each bit is individual. 1'b0: Write access disable 1'b1: Write access enable
15:7	RO	0x000	reserved
6	RW	0x0	clk_rkvenc1_core_en clk_rkvenc1_core clock gating control. When high, disable clock
5	RW	0x0	aclk_rkvenc1_en aclk_rkvenc1 clock gating control. When high, disable clock
4	RW	0x0	hclk_rkvenc1_en hclk_rkvenc1 clock gating control. When high, disable clock
3	RW	0x0	aclk_rkvenc1_biu_en aclk_rkvenc1_biu clock gating control. When high, disable clock
2	RW	0x0	hclk_rkvenc1_biu_en hclk_rkvenc1_biu clock gating control. When high, disable clock
1	RW	0x0	aclk_rkvenc1_root_en aclk_rkvenc1_root clock gating control. When high, disable clock
0	RW	0x0	hclk_rkvenc1_root_en hclk_rkvenc1_root clock gating control. When high, disable clock

**CRU\_GATE\_CON49**

Address: Operational Base + offset (0x08C4)

Bit	Attr	Reset Value	Description
31:16	WO	0x0000	write_enable Write enable for lower 16 bits, each bit is individual. 1'b0: Write access disable 1'b1: Write access enable
15	RW	0x0	hclk_fisheye0_en hclk_fisheye0 clock gating control. When high, disable clock
14	RW	0x0	aclk_fisheye0_en aclk_fisheye0 clock gating control. When high, disable clock
13	RW	0x0	hclk_isp0_en hclk_isp0 clock gating control. When high, disable clock
12	RW	0x0	aclk_isp0_en aclk_isp0 clock gating control. When high, disable clock
11	RW	0x0	clk_isp0_core_vicap_en clk_isp0_core_vicap clock gating control. When high, disable clock
10	RW	0x0	clk_isp0_core_marvin_en clk_isp0_core_marvin clock gating control. When high, disable clock
9	RW	0x0	clk_isp0_core_en clk_isp0_core clock gating control. When high, disable clock
8	RW	0x0	hclk_vicap_en hclk_vicap clock gating control. When high, disable clock
7	RW	0x0	aclk_vicap_en aclk_vicap clock gating control. When high, disable clock
6	RW	0x0	dclk_vicap_en dclk_vicap clock gating control. When high, disable clock
5	RW	0x0	pclk_vi_biu_en pclk_vi_biu clock gating control. When high, disable clock
4	RW	0x0	hclk_vi_biu_en hclk_vi_biu clock gating control. When high, disable clock
3	RW	0x0	aclk_vi_biu_en aclk_vi_biu clock gating control. When high, disable clock
2	RW	0x0	pclk_vi_root_en pclk_vi_root clock gating control. When high, disable clock
1	RW	0x0	hclk_vi_root_en hclk_vi_root clock gating control. When high, disable clock
0	RW	0x0	aclk_vi_root_en aclk_vi_root clock gating control. When high, disable clock

**CRU\_GATE\_CON50**

Address: Operational Base + offset (0x08C8)

Bit	Attr	Reset Value	Description
31:16	WO	0x0000	write_enable Write enable for lower 16 bits, each bit is individual. 1'b0: Write access disable 1'b1: Write access enable
15:10	RO	0x00	reserved
9	RW	0x0	pclk_csi_host_5_en pclk_csi_host_5 clock gating control. When high, disable clock
8	RW	0x0	pclk_csi_host_4_en pclk_csi_host_4 clock gating control. When high, disable clock
7	RW	0x0	pclk_csi_host_3_en pclk_csi_host_3 clock gating control. When high, disable clock
6	RW	0x0	pclk_csi_host_2_en pclk_csi_host_2 clock gating control. When high, disable clock
5	RW	0x0	pclk_csi_host_1_en pclk_csi_host_1 clock gating control. When high, disable clock
4	RW	0x0	pclk_csi_host_0_en pclk_csi_host_0 clock gating control. When high, disable clock
3	RW	0x0	clk_fisheye1_core_en clk_fisheye1_core clock gating control. When high, disable clock
2	RW	0x0	hclk_fisheye1_en hclk_fisheye1 clock gating control. When high, disable clock
1	RW	0x0	aclk_fisheye1_en aclk_fisheye1 clock gating control. When high, disable clock
0	RW	0x0	clk_fisheye0_core_en clk_fisheye0_core clock gating control. When high, disable clock

**CRU\_GATE\_CON51**

Address: Operational Base + offset (0x08CC)

Bit	Attr	Reset Value	Description
31:16	WO	0x0000	write_enable Write enable for lower 16 bits, each bit is individual. 1'b0: Write access disable 1'b1: Write access enable
15:13	RO	0x0	reserved
12	RW	0x0	iclkc_sihost1_en iclkc_sihost1 clock gating control. When high, disable clock
11	RW	0x0	iclkc_sihost0_en iclkc_sihost0 clock gating control. When high, disable clock
10	RW	0x0	iclkc_sihost01_en iclkc_sihost01 clock gating control. When high, disable clock

Bit	Attr	Reset Value	Description
9	RW	0x0	clk_csihost5_vicap_en clk_csihost5_vicap clock gating control. When high, disable clock
8	RW	0x0	clk_csihost4_vicap_en clk_csihost4_vicap clock gating control. When high, disable clock
7	RW	0x0	clk_csihost3_vicap_en clk_csihost3_vicap clock gating control. When high, disable clock
6	RW	0x0	clk_csihost2_vicap_en clk_csihost2_vicap clock gating control. When high, disable clock
5	RW	0x0	clk_csihost1_vicap_en clk_csihost1_vicap clock gating control. When high, disable clock
4	RW	0x0	clk_csihost0_vicap_en clk_csihost0_vicap clock gating control. When high, disable clock
3:0	RO	0x0	reserved

**CRU\_GATE\_CON52**

Address: Operational Base + offset (0x08D0)

Bit	Attr	Reset Value	Description
31:16	WO	0x0000	write_enable Write enable for lower 16 bits, each bit is individual. 1'b0: Write access disable 1'b1: Write access enable
15:14	RO	0x0	reserved
13	RW	0x0	dclk_vp0_en dclk_vp0 clock gating control. When high, disable clock
12	RW	0x0	dclk_vp2_src_en dclk_vp2_src clock gating control. When high, disable clock
11	RW	0x0	dclk_vp1_src_en dclk_vp1_src clock gating control. When high, disable clock
10	RW	0x0	dclk_vp0_src_en dclk_vp0_src clock gating control. When high, disable clock
9	RW	0x0	aclk_vop_en aclk_vop clock gating control. When high, disable clock
8	RW	0x0	hclk_vop_en hclk_vop clock gating control. When high, disable clock
7	RW	0x0	pclk_vop_biu_en pclk_vop_biu clock gating control. When high, disable clock
6	RW	0x0	hclk_vop_biu_en hclk_vop_biu clock gating control. When high, disable clock
5	RW	0x0	aclk_vop_low_biu_en aclk_vop_low_biu clock gating control. When high, disable clock

Bit	Attr	Reset Value	Description
4	RW	0x0	aclk_vop_biu_en aclk_vop_biu clock gating control. When high, disable clock
3	RW	0x0	pclk_vop_root_en pclk_vop_root clock gating control. When high, disable clock
2	RW	0x0	hclk_vop_root_en hclk_vop_root clock gating control. When high, disable clock
1	RW	0x0	aclk_vop_low_root_en aclk_vop_low_root clock gating control. When high, disable clock
0	RW	0x0	aclk_vop_root_en aclk_vop_root clock gating control. When high, disable clock

**CRU\_GATE\_CON53**

Address: Operational Base + offset (0x08D4)

Bit	Attr	Reset Value	Description
31:16	WO	0x0000	write_enable Write enable for lower 16 bits, each bit is individual. 1'b0: Write access disable 1'b1: Write access enable
15:11	RO	0x00	reserved
10	RW	0x0	aclk_vop_doby_en aclk_vop_doby clock gating control. When high, disable clock
9	RW	0x0	pclk_vop_channel_biu_en pclk_vop_channel_biu clock gating control. When high, disable clock
8	RW	0x0	clk_vop_pmu_en clk_vop_pmu clock gating control. When high, disable clock
7	RW	0x0	clk_dsihost1_en clk_dsihost1 clock gating control. When high, disable clock
6	RW	0x0	clk_dsihost0_en clk_dsihost0 clock gating control. When high, disable clock
5	RW	0x0	pclk_dsihost1_en pclk_dsihost1 clock gating control. When high, disable clock
4	RW	0x0	pclk_dsihost0_en pclk_dsihost0 clock gating control. When high, disable clock
3	RW	0x0	pclk_vopgrf_en pclk_vopgrf clock gating control. When high, disable clock
2	RW	0x0	dclk_vp3_en dclk_vp3 clock gating control. When high, disable clock
1	RW	0x0	dclk_vp2_en dclk_vp2 clock gating control. When high, disable clock

Bit	Attr	Reset Value	Description
0	RW	0x0	dclk_vp1_en dclk_vp1 clock gating control. When high, disable clock

**CRU\_GATE\_CON55**

Address: Operational Base + offset (0x08DC)

Bit	Attr	Reset Value	Description
31:16	WO	0x0000	write_enable Write enable for lower 16 bits, each bit is individual. 1'b0: Write access disable 1'b1: Write access enable
15	RO	0x0	reserved
14	RW	0x0	pclk_hdcp0_en pclk_hdcp0 clock gating control. When high, disable clock
13	RW	0x0	hclk_hdcp0_en hclk_hdcp0 clock gating control. When high, disable clock
12	RW	0x0	aclk_hdcp0_en aclk_hdcp0 clock gating control. When high, disable clock
11	RW	0x0	hclk_hdcp_key0_en hclk_hdcp_key0 clock gating control. When high, disable clock
10	RW	0x0	pclk_vo0grf_en pclk_vo0grf clock gating control. When high, disable clock
9	RW	0x0	aclk_hdcp0_biu_en aclk_hdcp0_biu clock gating control. When high, disable clock
8	RW	0x0	pclk_vo0_s_biu_en pclk_vo0_s_biu clock gating control. When high, disable clock
7	RW	0x0	pclk_vo0_biu_en pclk_vo0_biu clock gating control. When high, disable clock
6	RW	0x0	hclk_vo0_s_biu_en hclk_vo0_s_biu clock gating control. When high, disable clock
5	RW	0x0	hclk_vo0_biu_en hclk_vo0_biu clock gating control. When high, disable clock
4	RW	0x0	pclk_vo0_s_root_en pclk_vo0_s_root clock gating control. When high, disable clock
3	RW	0x0	pclk_vo0_root_en pclk_vo0_root clock gating control. When high, disable clock
2	RW	0x0	hclk_vo0_s_root_en hclk_vo0_s_root clock gating control. When high, disable clock
1	RW	0x0	hclk_vo0_root_en hclk_vo0_root clock gating control. When high, disable clock



Bit	Attr	Reset Value	Description
0	RW	0x0	aclk_vo0_root_en aclk_vo0_root clock gating control. When high, disable clock

**CRU\_GATE\_CON56**

Address: Operational Base + offset (0x08E0)

Bit	Attr	Reset Value	Description
31:16	WO	0x0000	write_enable Write enable for lower 16 bits, each bit is individual. 1'b0: Write access disable 1'b1: Write access enable
15	RW	0x0	clk_i2s8_8ch_tx_en clk_i2s8_8ch_tx_src clock gating control. When high, disable clock
14	RW	0x0	hclk_i2s8_8ch_en hclk_i2s8_8ch clock gating control. When high, disable clock
13	RW	0x0	mclk_i2s4_8ch_tx_en mclk_i2s4_8ch_tx clock gating control. When high, disable clock
12	RW	0x0	clk_i2s4_8ch_frac_tx_en clk_i2s4_8ch_tx_frac clock gating control. When high, disable clock
11	RW	0x0	clk_i2s4_8ch_tx_en clk_i2s4_8ch_tx_src clock gating control. When high, disable clock
10	RW	0x0	hclk_i2s4_8ch_en hclk_i2s4_8ch clock gating control. When high, disable clock
9	RW	0x0	clk_dp1_en clk_dp1 clock gating control. When high, disable clock
8	RW	0x0	clk_dp0_en clk_dp0 clock gating control. When high, disable clock
7	RW	0x0	pclk_s_dp1_en pclk_s_dp1 clock gating control. When high, disable clock
6	RW	0x0	pclk_s_dp0_en pclk_s_dp0 clock gating control. When high, disable clock
5	RW	0x0	pclk_dp1_en pclk_dp1 clock gating control. When high, disable clock
4	RW	0x0	pclk_dp0_en pclk_dp0 clock gating control. When high, disable clock
3	RW	0x0	clk_aux16mhz_1_en clk_aux16mhz_1 clock gating control. When high, disable clock
2	RW	0x0	clk_aux16mhz_0_en clk_aux16mhz_0 clock gating control. When high, disable clock

Bit	Attr	Reset Value	Description
1	RW	0x0	pclk_trng0_en pclk_trng0 clock gating control. When high, disable clock
0	RW	0x0	aclk_trng0_en aclk_trng0 clock gating control. When high, disable clock

**CRU\_GATE\_CON57**

Address: Operational Base + offset (0x08E4)

Bit	Attr	Reset Value	Description
31:16	WO	0x0000	write_enable Write enable for lower 16 bits, each bit is individual. 1'b0: Write access disable 1'b1: Write access enable
15:12	RO	0x0	reserved
11	RW	0x0	mclk_spdif5_en mclk_spdif5 clock gating control. When high, disable clock
10	RW	0x0	mclk_spdif5_dp1_en mclk_spdif5_dp1 clock gating control. When high, disable clock
9	RW	0x0	clk_spdif5_dp1_frac_en clk_spdif5_dp1_frac clock gating control. When high, disable clock
8	RW	0x0	clk_spdif5_dp1_en clk_spdif5_dp1_src clock gating control. When high, disable clock
7	RW	0x0	hclk_spdif5_dp1_en hclk_spdif5_dp1 clock gating control. When high, disable clock
6	RW	0x0	mclk_spdif2_en mclk_spdif2 clock gating control. When high, disable clock
5	RW	0x0	mclk_spdif2_dp0_en mclk_spdif2_dp0 clock gating control. When high, disable clock
4	RW	0x0	clk_spdif2_dp0_frac_en clk_spdif2_dp0_frac clock gating control. When high, disable clock
3	RW	0x0	clk_spdif2_dp0_en clk_spdif2_dp0_src clock gating control. When high, disable clock
2	RW	0x0	hclk_spdif2_dp0_en hclk_spdif2_dp0 clock gating control. When high, disable clock
1	RW	0x0	mclk_i2s8_8ch_tx_en mclk_i2s8_8ch_tx clock gating control. When high, disable clock
0	RW	0x0	clk_i2s8_8ch_frac_tx_en clk_i2s8_8ch_tx_frac clock gating control. When high, disable clock

**CRU\_GATE\_CON59**

Address: Operational Base + offset (0x08EC)

Bit	Attr	Reset Value	Description
31:16	WO	0x0000	write_enable Write enable for lower 16 bits, each bit is individual. 1'b0: Write access disable 1'b1: Write access enable
15	RW	0x0	pclk_s_edp1_en pclk_s_edp1 clock gating control. When high, disable clock
14	RW	0x0	pclk_s_edp0_en pclk_s_edp0 clock gating control. When high, disable clock
13	RW	0x0	pclk_vo1_s_biu_en pclk_vo1_s_biu clock gating control. When high, disable clock
12	RW	0x0	pclk_vo1grf_en pclk_vo1grf clock gating control. When high, disable clock
11	RW	0x0	pclk_vo1_biu_en pclk_vo1_biu clock gating control. When high, disable clock
10	RW	0x0	hclk_vo1_s_biu_en hclk_vo1_s_biu clock gating control. When high, disable clock
9	RW	0x0	hclk_vo1_biu_en hclk_vo1_biu clock gating control. When high, disable clock
8	RW	0x0	ack_vo1_biu_en ack_vo1_biu clock gating control. When high, disable clock
7	RO	0x0	reserved
6	RW	0x0	ack_hdcp1_biu_en ack_hdcp1_biu clock gating control. When high, disable clock
5	RW	0x0	pclk_vo1_s_root_en pclk_vo1_s_root clock gating control. When high, disable clock
4	RW	0x0	pclk_vo1_root_en pclk_vo1_root clock gating control. When high, disable clock
3	RW	0x0	hclk_vo1_s_root_en hclk_vo1_s_root clock gating control. When high, disable clock
2	RW	0x0	hclk_vo1_root_en hclk_vo1_root clock gating control. When high, disable clock
1	RW	0x0	ack_hdmirx_root_en ack_hdmirx_root clock gating control. When high, disable clock
0	RW	0x0	ack_hdcp1_root_en ack_hdcp1_root clock gating control. When high, disable clock

**CRU\_GATE\_CON60**

Address: Operational Base + offset (0x08F0)

Bit	Attr	Reset Value	Description
31:16	WO	0x0000	write_enable Write enable for lower 16 bits, each bit is individual. 1'b0: Write access disable 1'b1: Write access enable
15	RW	0x0	clk_hdmitx0_earc_en clk_hdmitx0_earc clock gating control. When high, disable clock
14:12	RO	0x0	reserved
11	RW	0x0	pclk_hdmitx0_en pclk_hdmitx0 clock gating control. When high, disable clock
10	RW	0x0	pclk_trng1_en pclk_trng1 clock gating control. When high, disable clock
9	RW	0x0	aclk_trng1_en aclk_trng1 clock gating control. When high, disable clock
8	RO	0x0	reserved
7	RW	0x0	pclk_hdcp1_en pclk_hdcp1 clock gating control. When high, disable clock
6	RW	0x0	hclk_hdcp1_en hclk_hdcp1 clock gating control. When high, disable clock
5	RW	0x0	aclk_hdcp1_en aclk_hdcp1 clock gating control. When high, disable clock
4	RW	0x0	hclk_hdcp_key1_en hclk_hdcp_key1 clock gating control. When high, disable clock
3	RW	0x0	mclk_i2s7_8ch_rx_en mclk_i2s7_8ch_rx clock gating control. When high, disable clock
2	RW	0x0	clk_i2s7_8ch_frac_rx_en clk_i2s7_8ch_rx_frac clock gating control. When high, disable clock
1	RW	0x0	clk_i2s7_8ch_rx_en clk_i2s7_8ch_rx_src clock gating control. When high, disable clock
0	RW	0x0	hclk_i2s7_8ch_en hclk_i2s7_8ch clock gating control. When high, disable clock

**CRU\_GATE\_CON61**

Address: Operational Base + offset (0x08F4)

Bit	Attr	Reset Value	Description
31:16	WO	0x0000	write_enable Write enable for lower 16 bits, each bit is individual. 1'b0: Write access disable 1'b1: Write access enable
15	RW	0x0	clk_hdmirx_tmddsqp_en clk_hdmirx_tmddsqp clock gating control. When high, disable clock

Bit	Attr	Reset Value	Description
14	RW	0x0	clk_hdmirx_aud_en clk_hdmirx_aud clock gating control. When high, disable clock
13	RW	0x0	clk_hdmirx_aud_frac_en clk_hdmirx_aud_frac clock gating control. When high, disable clock
12	RW	0x0	clk_hdmirx_aud_src_en clk_hdmirx_aud_src clock gating control. When high, disable clock
11	RW	0x0	clk_hdmirx_ref_en clk_hdmirx_ref clock gating control. When high, disable clock
10	RW	0x0	pclk_hdmirx_en pclk_hdmirx clock gating control. When high, disable clock
9	RW	0x0	aclk_hdmirx_en aclk_hdmirx clock gating control. When high, disable clock
8	RO	0x0	reserved
7	RW	0x0	clk_hdmitx1_ref_en clk_hdmitx1_ref clock gating control. When high, disable clock
6	RW	0x0	clk_hdmitx1_earc_en clk_hdmitx1_earc clock gating control. When high, disable clock
5:3	RO	0x0	reserved
2	RW	0x0	pclk_hdmitx1_en pclk_hdmitx1 clock gating control. When high, disable clock
1	RO	0x0	reserved
0	RW	0x0	clk_hdmitx0_ref_en clk_hdmitx0_ref clock gating control. When high, disable clock

**CRU\_GATE\_CON62**

Address: Operational Base + offset (0x08F8)

Bit	Attr	Reset Value	Description
31:16	WO	0x0000	write_enable Write enable for lower 16 bits, each bit is individual. 1'b0: Write access disable 1'b1: Write access enable
15	RW	0x0	mclk_i2s6_8ch_tx_en mclk_i2s6_8ch_tx clock gating control. When high, disable clock
14	RW	0x0	clk_i2s6_8ch_frac_tx_en clk_i2s6_8ch_tx_frac clock gating control. When high, disable clock
13	RW	0x0	clk_i2s6_8ch_tx_en clk_i2s6_8ch_tx_src clock gating control. When high, disable clock
12	RW	0x0	hclk_i2s5_8ch_en hclk_i2s5_8ch clock gating control. When high, disable clock
11:9	RO	0x0	reserved

Bit	Attr	Reset Value	Description
8	RW	0x0	mclk_i2s5_8ch_tx_en mclk_i2s5_8ch_tx clock gating control. When high, disable clock
7	RW	0x0	clk_i2s5_8ch_frac_tx_en clk_i2s5_8ch_tx_frac clock gating control. When high, disable clock
6	RW	0x0	clk_i2s5_8ch_tx_en clk_i2s5_8ch_tx_src clock gating control. When high, disable clock
5	RW	0x0	clk_edp1_200m_en clk_edp1_200m clock gating control. When high, disable clock
4	RW	0x0	clk_edp1_24m_en clk_edp1_24m clock gating control. When high, disable clock
3	RW	0x0	pclk_edp1_en pclk_edp1 clock gating control. When high, disable clock
2	RW	0x0	clk_edp0_200m_en clk_edp0_200m clock gating control. When high, disable clock
1	RW	0x0	clk_edp0_24m_en clk_edp0_24m clock gating control. When high, disable clock
0	RW	0x0	pclk_edp0_en pclk_edp0 clock gating control. When high, disable clock

**CRU\_GATE\_CON63**

Address: Operational Base + offset (0x08FC)

Bit	Attr	Reset Value	Description
31:16	WO	0x0000	write_enable Write enable for lower 16 bits, each bit is individual. 1'b0: Write access disable 1'b1: Write access enable
15	RW	0x0	mclk_spdifrx1_en mclk_spdifrx1 clock gating control. When high, disable clock
14	RW	0x0	hclk_spdifrx1_en hclk_spdifrx1 clock gating control. When high, disable clock
13	RW	0x0	mclk_spdifrx0_en mclk_spdifrx0 clock gating control. When high, disable clock
12	RW	0x0	hclk_spdifrx0_en hclk_spdifrx0 clock gating control. When high, disable clock
11	RW	0x0	mclk_spdif4_en mclk_spdif4 clock gating control. When high, disable clock
10	RW	0x0	clk_spdif4_frac_en clk_spdif4_frac clock gating control. When high, disable clock

Bit	Attr	Reset Value	Description
9	RW	0x0	clk_spdif4_en clk_spdif4_src clock gating control. When high, disable clock
8	RW	0x0	hclk_spdif4_en hclk_spdif4 clock gating control. When high, disable clock
7	RW	0x0	mclk_spdif3_en mclk_spdif3 clock gating control. When high, disable clock
6	RW	0x0	clk_spdif3_frac_en clk_spdif3_frac clock gating control. When high, disable clock
5	RW	0x0	clk_spdif3_en clk_spdif3_src clock gating control. When high, disable clock
4	RW	0x0	hclk_spdif3_en hclk_spdif3 clock gating control. When high, disable clock
3	RW	0x0	hclk_i2s6_8ch_en hclk_i2s6_8ch clock gating control. When high, disable clock
2	RW	0x0	mclk_i2s6_8ch_rx_en mclk_i2s6_8ch_rx clock gating control. When high, disable clock
1	RW	0x0	clk_i2s6_8ch_frac_rx_en clk_i2s6_8ch_rx_frac clock gating control. When high, disable clock
0	RW	0x0	clk_i2s6_8ch_rx_en clk_i2s6_8ch_rx_src clock gating control. When high, disable clock

**CRU\_GATE\_CON64**

Address: Operational Base + offset (0x0900)

Bit	Attr	Reset Value	Description
31:16	WO	0x0000	write_enable Write enable for lower 16 bits, each bit is individual. 1'b0: Write access disable 1'b1: Write access enable
15	RW	0x0	dclk_vp2hdmi_bridge1_vo1_en dclk_vp2hdmi_bridge1_vo1 clock gating control. When high, disable clock
14	RW	0x0	dclk_vp2hdmi_bridge0_vo1_en dclk_vp2hdmi_bridge0_vo1 clock gating control. When high, disable clock
13:2	RO	0x000	reserved
1	RW	0x0	mclk_spdifrx2_en mclk_spdifrx2 clock gating control. When high, disable clock
0	RW	0x0	hclk_spdifrx2_en hclk_spdifrx2 clock gating control. When high, disable clock

**CRU\_GATE\_CON65**

Address: Operational Base + offset (0x0904)

Bit	Attr	Reset Value	Description
31:16	WO	0x0000	write_enable Write enable for lower 16 bits, each bit is individual. 1'b0: Write access disable 1'b1: Write access enable
15:10	RO	0x00	reserved
9	RW	0x0	clk_hdmitrx_refsrc_en clk_hdmitrx_refsrc clock gating control. When high, disable clock
8	RW	0x0	pclk_s_hdmirx_en pclk_s_hdmirx clock gating control. When high, disable clock
7	RW	0x0	mclk_i2s10_8ch_rx_en mclk_i2s10_8ch_rx clock gating control. When high, disable clock
6	RW	0x0	clk_i2s10_8ch_frac_rx_en clk_i2s10_8ch_rx_frac clock gating control. When high, disable clock
5	RW	0x0	clk_i2s10_8ch_rx_en clk_i2s10_8ch_rx_src clock gating control. When high, disable clock
4	RW	0x0	hclk_i2s10_8ch_en hclk_i2s10_8ch clock gating control. When high, disable clock
3	RW	0x0	mclk_i2s9_8ch_rx_en mclk_i2s9_8ch_rx clock gating control. When high, disable clock
2	RW	0x0	clk_i2s9_8ch_frac_rx_en clk_i2s9_8ch_rx_frac clock gating control. When high, disable clock
1	RW	0x0	clk_i2s9_8ch_rx_en clk_i2s9_8ch_rx_src clock gating control. When high, disable clock
0	RW	0x0	hclk_i2s9_8ch_en hclk_i2s9_8ch clock gating control. When high, disable clock

**CRU\_GATE\_CON66**

Address: Operational Base + offset (0x0908)

Bit	Attr	Reset Value	Description
31:16	WO	0x0000	write_enable Write enable for lower 16 bits, each bit is individual. 1'b0: Write access disable 1'b1: Write access enable
15	RW	0x0	pclk_pvtm2_en pclk_pvtm2 clock gating control. When high, disable clock
14	RW	0x0	pclk_gpu_biu_en pclk_gpu_biu clock gating control. When high, disable clock
13	RW	0x0	pclk_gpu_root_en pclk_gpu_root clock gating control. When high, disable clock
12	RW	0x0	ack_m3_gpu_biu_en ack_m3_gpu_biu clock gating control. When high, disable clock



Bit	Attr	Reset Value	Description
11	RW	0x0	aclk_m2_gpu_biu_en aclk_m2_gpu_biu clock gating control. When high, disable clock
10	RW	0x0	aclk_m1_gpu_biu_en aclk_m1_gpu_biu clock gating control. When high, disable clock
9	RW	0x0	aclk_m0_gpu_biu_en aclk_m0_gpu_biu clock gating control. When high, disable clock
8	RW	0x0	aclk_s_gpu_biu_en aclk_s_gpu_biu clock gating control. When high, disable clock
7	RW	0x0	clk_gpu_stacks_en clk_gpu_stacks clock gating control. When high, disable clock
6	RW	0x0	clk_gpu_coregroup_en clk_gpu_coregroup clock gating control. When high, disable clock
5	RO	0x0	reserved
4	RW	0x0	clk_gpu_en clk_gpu clock gating control. When high, disable clock
3	RW	0x0	clk_gpu_src_en clk_gpu_src clock gating control. When high, disable clock
2	RW	0x1	clk_testout_gpu_en clk_testout_gpu clock gating control. When high, disable clock
1	RW	0x0	clk_gpu_src_df_en clk_gpu_src_t clock gating control. When high, disable clock
0	RO	0x0	reserved

**CRU\_GATE\_CON67**

Address: Operational Base + offset (0x090C)

Bit	Attr	Reset Value	Description
31:16	WO	0x0000	write_enable Write enable for lower 16 bits, each bit is individual. 1'b0: Write access disable 1'b1: Write access enable
15:4	RO	0x000	reserved
3	RW	0x0	clk_gpu_pvtpll_en clk_gpu_pvtpll clock gating control. When high, disable clock
2	RW	0x0	pclk_gpu_grf_en pclk_gpu_grf clock gating control. When high, disable clock
1	RW	0x0	clk_gpu_pvtm_en clk_gpu_pvtm clock gating control. When high, disable clock
0	RW	0x0	clk_pvtm2_en clk_pvtm2 clock gating control. When high, disable clock

**CRU\_GATE\_CON68**

Address: Operational Base + offset (0x0910)

Bit	Attr	Reset Value	Description
31:16	WO	0x0000	write_enable Write enable for lower 16 bits, each bit is individual. 1'b0: Write access disable 1'b1: Write access enable
15:6	RO	0x000	reserved
5	RW	0x0	pclk_av1_en pclk_av1 clock gating control. When high, disable clock
4	RW	0x0	pclk_av1_biu_en pclk_av1_biu clock gating control. When high, disable clock
3	RW	0x0	pclk_av1_root_en pclk_av1_root clock gating control. When high, disable clock
2	RW	0x0	aclk_av1_en aclk_av1 clock gating control. When high, disable clock
1	RW	0x0	aclk_av1_biu_en aclk_av1_biu clock gating control. When high, disable clock
0	RW	0x0	aclk_av1_root_en aclk_av1_root clock gating control. When high, disable clock

**CRU\_GATE\_CON69**

Address: Operational Base + offset (0x0914)

Bit	Attr	Reset Value	Description
31:16	WO	0x0000	write_enable Write enable for lower 16 bits, each bit is individual. 1'b0: Write access disable 1'b1: Write access enable
15	RW	0x0	clk_dds_timer_root_en clk_dds_timer_root clock gating control. When high, disable clock
14	RW	0x0	fclk_dds_cm0_core_en fclk_dds_cm0_core clock gating control. When high, disable clock
13	RW	0x0	hclk_center_biu_en hclk_center_biu clock gating control. When high, disable clock
12	RW	0x0	hclk_ahb2apb_en hclk_ahb2apb clock gating control. When high, disable clock
11	RW	0x0	aclk_center_s400_biu_en aclk_center_s400_biu clock gating control. When high, disable clock
10	RW	0x0	aclk_center_s200_biu_en aclk_center_s200_biu clock gating control. When high, disable clock
9	RW	0x0	aclk_center_s400_root_en aclk_center_s400_root clock gating control. When high, disable clock

Bit	Attr	Reset Value	Description
8	RW	0x0	aclk_center_s200_root_en aclk_center_s200_root clock gating control. When high, disable clock
7	RW	0x0	aclk_ddr_sharemem_biu_en aclk_ddr_sharemem_biu clock gating control. When high, disable clock
6	RW	0x0	aclk_ddr_sharemem_en aclk_ddr_sharemem clock gating control. When high, disable clock
5	RW	0x0	aclk_dma2ddr_en aclk_dma2ddr clock gating control. When high, disable clock
4	RW	0x0	aclk_ddr_biu_en aclk_ddr_biu clock gating control. When high, disable clock
3	RW	0x0	pclk_center_root_en pclk_center_root clock gating control. When high, disable clock
2	RW	0x0	hclk_center_root_en hclk_center_root clock gating control. When high, disable clock
1	RW	0x0	aclk_center_low_root_en aclk_center_low_root clock gating control. When high, disable clock
0	RW	0x0	aclk_center_root_en aclk_center_root clock gating control. When high, disable clock

**CRU\_GATE\_CON70**

Address: Operational Base + offset (0x0918)

Bit	Attr	Reset Value	Description
31:16	WO	0x0000	write_enable Write enable for lower 16 bits, each bit is individual. 1'b0: Write access disable 1'b1: Write access enable
15:13	RO	0x0	reserved
12	RW	0x0	pclk_center_channel_biu_en pclk_center_channel_biu clock gating control. When high, disable clock
11	RW	0x0	pclk_center_biu_en pclk_center_biu clock gating control. When high, disable clock
10	RW	0x0	pclk_sharemem_en pclk_sharemem clock gating control. When high, disable clock
9	RW	0x0	pclk_dma2ddr_en pclk_dma2ddr clock gating control. When high, disable clock
8	RW	0x0	pclk_timer_en pclk_timer clock gating control. When high, disable clock
7	RW	0x0	pclk_wdt_en pclk_wdt clock gating control. When high, disable clock

Bit	Attr	Reset Value	Description
6	RW	0x0	pclk_ahb2apb_en pclk_ahb2apb clock gating control. When high, disable clock
5	RW	0x0	pclk_center_grf_en pclk_center_grf clock gating control. When high, disable clock
4	RW	0x0	clk_ddr_cm0_rtc_en clk_ddr_cm0_rtc clock gating control. When high, disable clock
3	RO	0x0	reserved
2	RW	0x0	tclk_wdt_ddr_en tclk_wdt_ddr clock gating control. When high, disable clock
1	RW	0x0	clk_ddr_timer1_en clk_ddr_timer1 clock gating control. When high, disable clock
0	RW	0x0	clk_ddr_timer0_en clk_ddr_timer0 clock gating control. When high, disable clock

**CRU\_GATE\_CON72**

Address: Operational Base + offset (0x0920)

Bit	Attr	Reset Value	Description
31:16	WO	0x0000	write_enable Write enable for lower 16 bits, each bit is individual. 1'b0: Write access disable 1'b1: Write access enable
15:12	RO	0x0	reserved
11	RW	0x0	pclk_usb2phy_u2_1_grf0_en pclk_usb2phy_u2_1_grf0 clock gating control. When high, disable clock
10	RW	0x0	pclk_usb2phy_u2_0_grf0_en pclk_usb2phy_u2_0_grf0 clock gating control. When high, disable clock
9	RW	0x0	pclk_usb2phy_u3_1_grf0_en pclk_usb2phy_u3_1_grf0 clock gating control. When high, disable clock
8	RW	0x0	pclk_usb2phy_u3_0_grf0_en pclk_usb2phy_u3_0_grf0 clock gating control. When high, disable clock
7	RW	0x0	pclk_apb2asb_slv_bot_right_en pclk_apb2asb_slv_bot_right clock gating control. When high, disable clock
6	RW	0x0	pclk_hdptx1_en pclk_hdptx1 clock gating control. When high, disable clock
5	RW	0x0	pclk_hdptx0_en pclk_hdptx0 clock gating control. When high, disable clock
4	RW	0x0	pclk_usbdpphy1_en pclk_usbdpphy1 clock gating control. When high, disable clock
3	RW	0x0	pclk_usbdpgrf1_en pclk_usbdpgrf1 clock gating control. When high, disable clock

Bit	Attr	Reset Value	Description
2	RW	0x0	pclk_usbdpphy0_en pclk_usbdpphy0 clock gating control. When high, disable clock
1	RW	0x0	pclk_usbdpgrf0_en pclk_usbdpgrf0 clock gating control. When high, disable clock
0	RO	0x0	reserved

**CRU\_GATE\_CON73**

Address: Operational Base + offset (0x0924)

Bit	Attr	Reset Value	Description
31:16	WO	0x0000	write_enable Write enable for lower 16 bits, each bit is individual. 1'b0: Write access disable 1'b1: Write access enable
15:14	RO	0x0	reserved
13	RW	0x0	clk_hdmi1_en clk_hdmi1 clock gating control. When high, disable clock
12	RW	0x0	clk_hdmi0_en clk_hdmi0 clock gating control. When high, disable clock
11:0	RO	0x0000	reserved

**CRU\_GATE\_CON74**

Address: Operational Base + offset (0x0928)

Bit	Attr	Reset Value	Description
31:16	WO	0x0000	write_enable Write enable for lower 16 bits, each bit is individual. 1'b0: Write access disable 1'b1: Write access enable
15:4	RO	0x0000	reserved
3	RW	0x0	hclk_vo1usb_top_biu_en hclk_vo1usb_top_biu clock gating control. When high, disable clock
2	RW	0x0	hclk_vo1usb_top_root_en hclk_vo1usb_top_root clock gating control. When high, disable clock
1	RW	0x0	aclk_vo1usb_top_biu_en aclk_vo1usb_top_biu clock gating control. When high, disable clock
0	RW	0x0	aclk_vo1usb_top_root_en aclk_vo1usb_top_root clock gating control. When high, disable clock

**CRU\_GATE\_CON75**

Address: Operational Base + offset (0x092C)

Bit	Attr	Reset Value	Description
31:16	WO	0x0000	write_enable Write enable for lower 16 bits, each bit is individual. 1'b0: Write access disable 1'b1: Write access enable
15:4	RO	0x0000	reserved

Bit	Attr	Reset Value	Description
3	RW	0x0	cclk_src_sdio_en cclk_src_sdio clock gating control. When high, disable clock
2	RW	0x0	hclk_sdio_en hclk_sdio clock gating control. When high, disable clock
1	RW	0x0	hclk_sdio_biu_en hclk_sdio_biu clock gating control. When high, disable clock
0	RW	0x0	hclk_sdio_root_en hclk_sdio_root clock gating control. When high, disable clock

**CRU\_GATE\_CON76**

Address: Operational Base + offset (0x0930)

Bit	Attr	Reset Value	Description
31:16	WO	0x0000	write_enable Write enable for lower 16 bits, each bit is individual. 1'b0: Write access disable 1'b1: Write access enable
15:7	RO	0x000	reserved
6	RW	0x0	clk_rga3_1_core_en clk_rga3_1_core clock gating control. When high, disable clock
5	RW	0x0	aclk_rga3_1_en aclk_rga3_1 clock gating control. When high, disable clock
4	RW	0x0	hclk_rga3_1_en hclk_rga3_1 clock gating control. When high, disable clock
3	RW	0x0	aclk_rga3_biu_en aclk_rga3_biu clock gating control. When high, disable clock
2	RW	0x0	hclk_rga3_biu_en hclk_rga3_biu clock gating control. When high, disable clock
1	RW	0x0	hclk_rga3_root_en hclk_rga3_root clock gating control. When high, disable clock
0	RW	0x0	aclk_rga3_root_en aclk_rga3_root clock gating control. When high, disable clock

**CRU\_GATE\_CON77**

Address: Operational Base + offset (0x0934)

Bit	Attr	Reset Value	Description
31:16	WO	0x0000	write_enable Write enable for lower 16 bits, each bit is individual. 1'b0: Write access disable 1'b1: Write access enable
15:6	RO	0x000	reserved
5	RW	0x0	clk_ref_pipe_phy2_pll_src_en clk_ref_pipe_phy2_pll_src clock gating control. When high, disable clock

Bit	Attr	Reset Value	Description
4	RW	0x0	clk_ref_pipe_phy1_pll_src_en clk_ref_pipe_phy1_pll_src clock gating control. When high, disable clock
3	RW	0x0	clk_ref_pipe_phy0_pll_src_en clk_ref_pipe_phy0_pll_src clock gating control. When high, disable clock
2	RW	0x0	clk_ref_pipe_phy2_osc_src_en clk_ref_pipe_phy2_osc_src clock gating control. When high, disable clock
1	RW	0x0	clk_ref_pipe_phy1_osc_src_en clk_ref_pipe_phy1_osc_src clock gating control. When high, disable clock
0	RW	0x0	clk_ref_pipe_phy0_osc_src_en clk_ref_pipe_phy0_osc_src clock gating control. When high, disable clock

**CRU SOFTRST CON01**

Address: Operational Base + offset (0x0A04)

Bit	Attr	Reset Value	Description
31:16	WO	0x0000	write_enable Write enable for lower 16 bits, each bit is individual. 1'b0: Write access disable 1'b1: Write access enable
15	RW	0x0	aresetn_top_m500_biu When high, reset relative logic
14:9	RO	0x00	reserved
8	RW	0x0	presetn_csiphy1 When high, reset relative logic
7	RO	0x0	reserved
6	RW	0x0	presetn_csiphy0 When high, reset relative logic
5	RO	0x0	reserved
4	RW	0x0	presetn_top_biu When high, reset relative logic
3	RW	0x0	aresetn_top_biu When high, reset relative logic
2:0	RO	0x0	reserved

**CRU SOFTRST CON02**

Address: Operational Base + offset (0x0A08)

Bit	Attr	Reset Value	Description
31:16	WO	0x0000	write_enable Write enable for lower 16 bits, each bit is individual. 1'b0: Write access disable 1'b1: Write access enable
15	RW	0x0	resetn_usbdp_combo_phy1_init When high, reset relative logic
14:12	RO	0x0	reserved
11	RW	0x0	resetn_usbdp_combo_phy0_pcs When high, reset relative logic
10	RW	0x0	resetn_usbdp_combo_phy0_lane When high, reset relative logic
9	RW	0x0	resetn_usbdp_combo_phy0_cmn When high, reset relative logic

Bit	Attr	Reset Value	Description
8	RW	0x0	resetsn_usbdp_combo_phy0_init When high, reset relative logic
7:4	RO	0x0	reserved
3	RW	0x0	aresetsn_top_m300_biu When high, reset relative logic
2	RW	0x0	aresetsn_top_s400_biu When high, reset relative logic
1	RW	0x0	aresetsn_top_s200_biu When high, reset relative logic
0	RW	0x0	aresetsn_top_m400_biu When high, reset relative logic

**CRU SOFTRST CON03**

Address: Operational Base + offset (0x0A0C)

Bit	Attr	Reset Value	Description
31:16	WO	0x0000	write_enable Write enable for lower 16 bits, each bit is individual. 1'b0: Write access disable 1'b1: Write access enable
15	RW	0x0	presetsn_mipi_dcphy0_grf When high, reset relative logic
14	RW	0x0	presetsn_mipi_dcphy0 When high, reset relative logic
13:3	RO	0x000	reserved
2	RW	0x0	resetsn_usbdp_combo_phy1_pcs When high, reset relative logic
1	RW	0x0	resetsn_usbdp_combo_phy1_lane When high, reset relative logic
0	RW	0x0	resetsn_usbdp_combo_phy1_cmh When high, reset relative logic

**CRU SOFTRST CON04**

Address: Operational Base + offset (0x0A10)

Bit	Attr	Reset Value	Description
31:16	WO	0x0000	write_enable Write enable for lower 16 bits, each bit is individual. 1'b0: Write access disable 1'b1: Write access enable
15:12	RO	0x0	reserved
11	RW	0x0	presetsn_apb2asb_slv_ioc_right When high, reset relative logic
10	RW	0x0	presetsn_apb2asb_slv_ioc_top When high, reset relative logic
9	RW	0x0	presetsn_apb2asb_slv_emmcio When high, reset relative logic
8	RW	0x0	presetsn_apb2asb_slv_vccio6 When high, reset relative logic
7	RW	0x0	presetsn_apb2asb_slv_vccio3_5 When high, reset relative logic
6	RW	0x0	presetsn_apb2asb_slv_csiphy When high, reset relative logic
5	RW	0x0	presetsn_apb2asb_slv_cdphy When high, reset relative logic



Bit	Attr	Reset Value	Description
4	RW	0x0	presetn_mipi_dcphy1_grf When high, reset relative logic
3	RW	0x0	presetn_mipi_dcphy1 When high, reset relative logic
2:0	RO	0x0	reserved

**CRU SOFTRST CON05**

Address: Operational Base + offset (0x0A14)

Bit	Attr	Reset Value	Description
31:16	WO	0x0000	write_enable Write enable for lower 16 bits, each bit is individual. 1'b0: Write access disable 1'b1: Write access enable
15	RW	0x0	hresetn_channel_secure2center When high, reset relative logic
14	RW	0x0	hresetn_channel_secure2vo1usb When high, reset relative logic
13:9	RO	0x00	reserved
8	RW	0x0	aresetn_channel_secure2center When high, reset relative logic
7	RW	0x0	aresetn_channel_secure2vo1usb When high, reset relative logic
6:1	RO	0x00	reserved
0	RW	0x0	presetn_cru When high, reset relative logic

**CRU SOFTRST CON06**

Address: Operational Base + offset (0x0A18)

Bit	Attr	Reset Value	Description
31:16	WO	0x0000	write_enable Write enable for lower 16 bits, each bit is individual. 1'b0: Write access disable 1'b1: Write access enable
15:2	RO	0x0000	reserved
1	RW	0x0	presetn_channel_secure2center When high, reset relative logic
0	RW	0x0	presetn_channel_secure2vo1usb When high, reset relative logic

**CRU SOFTRST CON07**

Address: Operational Base + offset (0x0A1C)

Bit	Attr	Reset Value	Description
31:16	WO	0x0000	write_enable Write enable for lower 16 bits, each bit is individual. 1'b0: Write access disable 1'b1: Write access enable
15:14	RO	0x0	reserved
13	RW	0x0	hresetn_i2s3_2ch When high, reset relative logic
12	RW	0x0	hresetn_i2s2_2ch When high, reset relative logic
11	RW	0x0	presetn_acdcdig When high, reset relative logic

Bit	Attr	Reset Value	Description
10	RW	0x0	mresetn_i2s0_8ch_rx When high, reset relative logic
9:8	RO	0x0	reserved
7	RW	0x0	mresetn_i2s0_8ch_tx When high, reset relative logic
6:5	RO	0x0	reserved
4	RW	0x0	hresetn_i2s0_8ch When high, reset relative logic
3	RW	0x0	presetn_audio_biu When high, reset relative logic
2	RW	0x0	hresetn_audio_biu When high, reset relative logic
1:0	RO	0x0	reserved

**CRU SOFTRST CON08**

Address: Operational Base + offset (0x0A20)

Bit	Attr	Reset Value	Description
31:16	WO	0x0000	write_enable Write enable for lower 16 bits, each bit is individual. 1'b0: Write access disable 1'b1: Write access enable
15	RO	0x0	reserved
14	RW	0x0	hresetn_spdif0 When high, reset relative logic
13:5	RO	0x000	reserved
4	RW	0x0	resetn_dac_acddig When high, reset relative logic
3	RW	0x0	mresetn_i2s3_2ch When high, reset relative logic
2:1	RO	0x0	reserved
0	RW	0x0	mresetn_i2s2_2ch When high, reset relative logic

**CRU SOFTRST CON09**

Address: Operational Base + offset (0x0A24)

Bit	Attr	Reset Value	Description
31:16	WO	0x0000	write_enable Write enable for lower 16 bits, each bit is individual. 1'b0: Write access disable 1'b1: Write access enable
15:8	RO	0x00	reserved
7	RW	0x0	resetn_pdm1 When high, reset relative logic
6	RW	0x0	hresetn_pdm1 When high, reset relative logic
5	RW	0x0	mresetn_spdif1 When high, reset relative logic
4:3	RO	0x0	reserved
2	RW	0x0	hresetn_spdif1 When high, reset relative logic
1	RW	0x0	mresetn_spdif0 When high, reset relative logic
0	RO	0x0	reserved

**CRU SOFTRST CON10**

Address: Operational Base + offset (0x0A28)

Bit	Attr	Reset Value	Description
31:16	WO	0x0000	write_enable Write enable for lower 16 bits, each bit is individual. 1'b0: Write access disable 1'b1: Write access enable
15	RW	0x0	presetn_i2c8 When high, reset relative logic
14	RW	0x0	presetn_i2c7 When high, reset relative logic
13	RW	0x0	presetn_i2c6 When high, reset relative logic
12	RW	0x0	presetn_i2c5 When high, reset relative logic
11	RW	0x0	presetn_i2c4 When high, reset relative logic
10	RW	0x0	presetn_i2c3 When high, reset relative logic
9	RW	0x0	presetn_i2c2 When high, reset relative logic
8	RW	0x0	presetn_i2c1 When high, reset relative logic
7	RW	0x0	aresetn_dmac2 When high, reset relative logic
6	RW	0x0	aresetn_dmac1 When high, reset relative logic
5	RW	0x0	aresetn_dmac0 When high, reset relative logic
4	RW	0x0	aresetn_gic_dbg When high, reset relative logic
3	RW	0x0	aresetn_gic When high, reset relative logic
2	RW	0x0	presetn_bus_biu When high, reset relative logic
1	RW	0x0	aresetn_bus_biu When high, reset relative logic
0	RO	0x0	reserved

**CRU SOFTRST CON11**

Address: Operational Base + offset (0x0A2C)

Bit	Attr	Reset Value	Description
31:16	WO	0x0000	write_enable Write enable for lower 16 bits, each bit is individual. 1'b0: Write access disable 1'b1: Write access enable
15	RO	0x0	reserved
14	RW	0x0	presetn_saradc When high, reset relative logic
13	RW	0x0	resetn_can2 When high, reset relative logic
12	RW	0x0	presetn_can2 When high, reset relative logic
11	RW	0x0	resetn_can1 When high, reset relative logic

Bit	Attr	Reset Value	Description
10	RW	0x0	presetn_can1 When high, reset relative logic
9	RW	0x0	resetrn_can0 When high, reset relative logic
8	RW	0x0	presetn_can0 When high, reset relative logic
7	RW	0x0	resetrn_i2c8 When high, reset relative logic
6	RW	0x0	resetrn_i2c7 When high, reset relative logic
5	RW	0x0	resetrn_i2c6 When high, reset relative logic
4	RW	0x0	resetrn_i2c5 When high, reset relative logic
3	RW	0x0	resetrn_i2c4 When high, reset relative logic
2	RW	0x0	resetrn_i2c3 When high, reset relative logic
1	RW	0x0	resetrn_i2c2 When high, reset relative logic
0	RW	0x0	resetrn_i2c1 When high, reset relative logic

**CRU\_SOFTRST\_CON12**

Address: Operational Base + offset (0x0A30)

Bit	Attr	Reset Value	Description
31:16	WO	0x0000	write_enable Write enable for lower 16 bits, each bit is individual. 1'b0: Write access disable 1'b1: Write access enable
15:14	RO	0x0	reserved
13	RW	0x0	sresetrn_uart1 When high, reset relative logic
12:11	RO	0x0	reserved
10	RW	0x0	presetrn_uart9 When high, reset relative logic
9	RW	0x0	presetrn_uart8 When high, reset relative logic
8	RW	0x0	presetrn_uart7 When high, reset relative logic
7	RW	0x0	presetrn_uart6 When high, reset relative logic
6	RW	0x0	presetrn_uart5 When high, reset relative logic
5	RW	0x0	presetrn_uart4 When high, reset relative logic
4	RW	0x0	presetrn_uart3 When high, reset relative logic
3	RW	0x0	presetrn_uart2 When high, reset relative logic
2	RW	0x0	presetrn_uart1 When high, reset relative logic
1	RW	0x0	resetrn_tsadc When high, reset relative logic

Bit	Attr	Reset Value	Description
0	RW	0x0	presetn_tsadc When high, reset relative logic

**CRU SOFTRST CON13**

Address: Operational Base + offset (0x0A34)

Bit	Attr	Reset Value	Description
31:16	WO	0x0000	write_enable Write enable for lower 16 bits, each bit is individual. 1'b0: Write access disable 1'b1: Write access enable
15	RW	0x0	sresetn_uart7 When high, reset relative logic
14:13	RO	0x0	reserved
12	RW	0x0	sresetn_uart6 When high, reset relative logic
11:10	RO	0x0	reserved
9	RW	0x0	sresetn_uart5 When high, reset relative logic
8:7	RO	0x0	reserved
6	RW	0x0	sresetn_uart4 When high, reset relative logic
5:4	RO	0x0	reserved
3	RW	0x0	sresetn_uart3 When high, reset relative logic
2:1	RO	0x0	reserved
0	RW	0x0	sresetn_uart2 When high, reset relative logic

**CRU SOFTRST CON14**

Address: Operational Base + offset (0x0A38)

Bit	Attr	Reset Value	Description
31:16	WO	0x0000	write_enable Write enable for lower 16 bits, each bit is individual. 1'b0: Write access disable 1'b1: Write access enable
15	RW	0x0	resetrn_spi4 When high, reset relative logic
14	RW	0x0	resetrn_spi3 When high, reset relative logic
13	RW	0x0	resetrn_spi2 When high, reset relative logic
12	RW	0x0	resetrn_spi1 When high, reset relative logic
11	RW	0x0	resetrn_spi0 When high, reset relative logic
10	RW	0x0	presetrn_spi4 When high, reset relative logic
9	RW	0x0	presetrn_spi3 When high, reset relative logic
8	RW	0x0	presetrn_spi2 When high, reset relative logic
7	RW	0x0	presetrn_spi1 When high, reset relative logic

Bit	Attr	Reset Value	Description
6	RW	0x0	presetrn_spi0 When high, reset relative logic
5	RW	0x0	sresetrn_uart9 When high, reset relative logic
4:3	RO	0x0	reserved
2	RW	0x0	sresetrn_uart8 When high, reset relative logic
1:0	RO	0x0	reserved

**CRU SOFTRST CON15**

Address: Operational Base + offset (0x0A3C)

Bit	Attr	Reset Value	Description
31:16	WO	0x0000	write_enable Write enable for lower 16 bits, each bit is individual. 1'b0: Write access disable 1'b1: Write access enable
15	RW	0x0	resetrn_bustimer0 When high, reset relative logic
14	RO	0x0	reserved
13	RW	0x0	presetrn_bustimer1 When high, reset relative logic
12	RW	0x0	presetrn_bustimer0 When high, reset relative logic
11	RO	0x0	reserved
10	RW	0x0	resetrn_pwm3 When high, reset relative logic
9	RW	0x0	presetrn_pwm3 When high, reset relative logic
8	RO	0x0	reserved
7	RW	0x0	resetrn_pwm2 When high, reset relative logic
6	RW	0x0	presetrn_pwm2 When high, reset relative logic
5	RO	0x0	reserved
4	RW	0x0	resetrn_pwm1 When high, reset relative logic
3	RW	0x0	presetrn_pwm1 When high, reset relative logic
2	RW	0x0	presetrn_sys_grf When high, reset relative logic
1	RW	0x0	tresetrn_wdt0 When high, reset relative logic
0	RW	0x0	presetrn_wdt0 When high, reset relative logic

**CRU SOFTRST CON16**

Address: Operational Base + offset (0x0A40)

Bit	Attr	Reset Value	Description
31:16	WO	0x0000	write_enable Write enable for lower 16 bits, each bit is individual. 1'b0: Write access disable 1'b1: Write access enable
15	RW	0x0	dbresetrn_gpio1 When high, reset relative logic

Bit	Attr	Reset Value	Description
14	RW	0x0	presetn_gpio1 When high, reset relative logic
13	RW	0x0	presetn_mailbox2 When high, reset relative logic
12	RW	0x0	presetn_mailbox1 When high, reset relative logic
11	RW	0x0	presetn_mailbox0 When high, reset relative logic
10	RW	0x0	resetn_bustimer11 When high, reset relative logic
9	RW	0x0	resetn_bustimer10 When high, reset relative logic
8	RW	0x0	resetn_bustimer9 When high, reset relative logic
7	RW	0x0	resetn_bustimer8 When high, reset relative logic
6	RW	0x0	resetn_bustimer7 When high, reset relative logic
5	RW	0x0	resetn_bustimer6 When high, reset relative logic
4	RW	0x0	resetn_bustimer5 When high, reset relative logic
3	RW	0x0	resetn_bustimer4 When high, reset relative logic
2	RW	0x0	resetn_bustimer3 When high, reset relative logic
1	RW	0x0	resetn_bustimer2 When high, reset relative logic
0	RW	0x0	resetn_bustimer1 When high, reset relative logic

**CRU SOFTRST CON17**

Address: Operational Base + offset (0x0A44)

Bit	Attr	Reset Value	Description
31:16	WO	0x0000	write_enable Write enable for lower 16 bits, each bit is individual. 1'b0: Write access disable 1'b1: Write access enable
15	RW	0x0	presetn_apb2asb_mst_bot_right When high, reset relative logic
14	RW	0x0	presetn_apb2asb_mst_cdphy When high, reset relative logic
13	RW	0x0	presetn_apb2asb_mst_top When high, reset relative logic
12	RW	0x0	presetn_dft2apb When high, reset relative logic
11	RW	0x0	aresetn_gicadb_gic2core_bus When high, reset relative logic
10	RO	0x0	reserved
9	RW	0x0	presetn_top When high, reset relative logic
8	RW	0x0	dresetn_decom When high, reset relative logic

Bit	Attr	Reset Value	Description
7	RW	0x0	presetn_decom When high, reset relative logic
6	RW	0x0	aresetn_decom When high, reset relative logic
5	RW	0x0	dbresetn_gpio4 When high, reset relative logic
4	RW	0x0	presetn_gpio4 When high, reset relative logic
3	RW	0x0	dbresetn_gpio3 When high, reset relative logic
2	RW	0x0	presetn_gpio3 When high, reset relative logic
1	RW	0x0	dbresetn_gpio2 When high, reset relative logic
0	RW	0x0	presetn_gpio2 When high, reset relative logic

**CRU SOFTRST CON18**

Address: Operational Base + offset (0x0A48)

Bit	Attr	Reset Value	Description
31:16	WO	0x0000	write_enable Write enable for lower 16 bits, each bit is individual. 1'b0: Write access disable 1'b1: Write access enable
15:12	RO	0x0	reserved
11	RW	0x0	resetn_otpc_arb When high, reset relative logic
10	RW	0x0	resetn_otpc_ns When high, reset relative logic
9	RW	0x0	presetn_otpc_ns When high, reset relative logic
8:7	RO	0x0	reserved
6	RW	0x0	aresetn_spinlock When high, reset relative logic
5	RW	0x0	presetn_apb2asb_mst_emmcio When high, reset relative logic
4	RW	0x0	presetn_apb2asb_mst_vccio6 When high, reset relative logic
3	RW	0x0	presetn_apb2asb_mst_vccio3_5 When high, reset relative logic
2	RW	0x0	presetn_apb2asb_mst_csiphy When high, reset relative logic
1	RW	0x0	presetn_apb2asb_mst_ioc_right When high, reset relative logic
0	RW	0x0	presetn_apb2asb_mst_ioc_top When high, reset relative logic

**CRU SOFTRST CON19**

Address: Operational Base + offset (0x0A4C)

Bit	Attr	Reset Value	Description
31:16	WO	0x0000	write_enable Write enable for lower 16 bits, each bit is individual. 1'b0: Write access disable 1'b1: Write access enable



Bit	Attr	Reset Value	Description
15:6	RO	0x000	reserved
5	RW	0x0	presetrn_ddrcm0_intmux When high, reset relative logic
4	RW	0x0	presetrn_pmucm0_intmux When high, reset relative logic
3:1	RO	0x0	reserved
0	RW	0x0	presetrn_busioc When high, reset relative logic

**CRU SOFTRST CON20**

Address: Operational Base + offset (0x0A50)

Bit	Attr	Reset Value	Description
31:16	WO	0x0000	write_enable Write enable for lower 16 bits, each bit is individual. 1'b0: Write access disable 1'b1: Write access enable
15	RW	0x0	presetrn_ddr_standby_ch1 When high, reset relative logic
14	RW	0x0	presetrn_ddr_mon_ch1 When high, reset relative logic
13	RW	0x0	presetrn_ddr_dfictl_ch1 When high, reset relative logic
12	RW	0x0	aresetrn_ddr_upctl_ch0 When high, reset relative logic
11	RW	0x0	resetrn_ddr_standby_ch0 When high, reset relative logic
10	RW	0x0	resetrn_ddr_mon_ch0 When high, reset relative logic
9	RW	0x0	resetrn_ddr_dfictl_ch0 When high, reset relative logic
8	RW	0x0	resetrn_ddr_upctl_ch0 When high, reset relative logic
7	RW	0x0	resetrn_sbr_ch0 When high, reset relative logic
6	RW	0x1	resetrn_dfi_ch0 When high, reset relative logic
5	RW	0x0	presetrn_ddr_grf_ch01 ddr ch0 and ch1 grf presetrn When high, reset relative logic
4	RW	0x0	tmresetrn_ddr_mon_ch0 When high, reset relative logic
3	RW	0x0	presetrn_ddr_upctl_ch0 When high, reset relative logic
2	RW	0x0	presetrn_ddr_standby_ch0 When high, reset relative logic
1	RW	0x0	presetrn_ddr_mon_ch0 When high, reset relative logic
0	RW	0x0	presetrn_ddr_dfictl_ch0 When high, reset relative logic

**CRU SOFTRST CON21**

Address: Operational Base + offset (0x0A54)

Bit	Attr	Reset Value	Description
31:16	WO	0x0000	write_enable Write enable for lower 16 bits, each bit is individual. 1'b0: Write access disable 1'b1: Write access enable
15	RW	0x0	aresetn_ddr_frs_ddrsch0 When high, reset relative logic
14	RW	0x0	aresetn_ddr_rs_ddrsch0 When high, reset relative logic
13	RW	0x0	aresetn_ddr_ddrsch0 When high, reset relative logic
12:9	RO	0x0	reserved
8	RW	0x0	aresetn_ddr_upctl_ch1 When high, reset relative logic
7	RW	0x0	resetn_ddr_standby_ch1 When high, reset relative logic
6	RW	0x0	resetn_ddr_mon_ch1 When high, reset relative logic
5	RW	0x0	resetn_ddr_dfictl_ch1 When high, reset relative logic
4	RW	0x0	resetn_ddr_upctl_ch1 When high, reset relative logic
3	RW	0x0	resetn_sbr_ch1 When high, reset relative logic
2	RW	0x1	resetn_dfi_ch1 When high, reset relative logic
1	RW	0x0	tmresetn_ddr_mon_ch1 When high, reset relative logic
0	RW	0x0	presetn_ddr_upctl_ch1 When high, reset relative logic

**CRU SOFTRST CON22**

Address: Operational Base + offset (0x0A58)

Bit	Attr	Reset Value	Description
31:16	WO	0x0000	write_enable Write enable for lower 16 bits, each bit is individual. 1'b0: Write access disable 1'b1: Write access enable
15:9	RO	0x00	reserved
8	RW	0x0	presetn_ddr_ddrsch1 When high, reset relative logic
7	RW	0x0	presetn_ddr_ddrsch0 When high, reset relative logic
6	RW	0x0	aresetn_ddr_frs_scramble1 When high, reset relative logic
5	RW	0x0	aresetn_ddr_scramble1 When high, reset relative logic
4	RW	0x0	aresetn_ddr_frs_ddrsch1 When high, reset relative logic
3	RW	0x0	aresetn_ddr_rs_ddrsch1 When high, reset relative logic
2	RW	0x0	aresetn_ddr_ddrsch1 When high, reset relative logic
1	RW	0x0	aresetn_ddr_frs_scramble0 When high, reset relative logic

Bit	Attr	Reset Value	Description
0	RW	0x0	aresetn_dds_scramble0 When high, reset relative logic

**CRU SOFTRST CON23**

Address: Operational Base + offset (0x0A5C)

Bit	Attr	Reset Value	Description
31:16	WO	0x0000	write_enable Write enable for lower 16 bits, each bit is individual. 1'b0: Write access disable 1'b1: Write access enable
15	RW	0x0	presetn_dds_standby_ch3 When high, reset relative logic
14	RW	0x0	presetn_dds_mon_ch3 When high, reset relative logic
13	RW	0x0	presetn_dds_dfictl_ch3 When high, reset relative logic
12	RW	0x0	aresetn_dds_upctl_ch2 When high, reset relative logic
11	RW	0x0	resetn_dds_standby_ch2 When high, reset relative logic
10	RW	0x0	resetn_dds_mon_ch2 When high, reset relative logic
9	RW	0x0	resetn_dds_dfictl_ch2 When high, reset relative logic
8	RW	0x0	resetn_dds_upctl_ch2 When high, reset relative logic
7	RW	0x0	resetn_sbr_ch2 When high, reset relative logic
6	RW	0x1	resetn_dfi_ch2 When high, reset relative logic
5	RW	0x0	presetn_dds_grf_ch23 dds ch2 and ch3 grf presetn When high, reset relative logic
4	RW	0x0	tmresetn_dds_mon_ch2 When high, reset relative logic
3	RW	0x0	presetn_dds_upctl_ch2 When high, reset relative logic
2	RW	0x0	presetn_dds_standby_ch2 When high, reset relative logic
1	RW	0x0	presetn_dds_mon_ch2 When high, reset relative logic
0	RW	0x0	presetn_dds_dfictl_ch2 When high, reset relative logic

**CRU SOFTRST CON24**

Address: Operational Base + offset (0x0A60)

Bit	Attr	Reset Value	Description
31:16	WO	0x0000	write_enable Write enable for lower 16 bits, each bit is individual. 1'b0: Write access disable 1'b1: Write access enable
15	RW	0x0	aresetn_dds_frs_ddrsch2 When high, reset relative logic

Bit	Attr	Reset Value	Description
14	RW	0x0	aresetn_dds_rs_ddrsch2 When high, reset relative logic
13	RW	0x0	aresetn_dds_ddrsch2 When high, reset relative logic
12:9	RO	0x0	reserved
8	RW	0x0	aresetn_dds_upctl_ch3 When high, reset relative logic
7	RW	0x0	resetn_dds_standby_ch3 When high, reset relative logic
6	RW	0x0	resetn_dds_mon_ch3 When high, reset relative logic
5	RW	0x0	resetn_dds_dfictl_ch3 When high, reset relative logic
4	RW	0x0	resetn_dds_upctl_ch3 When high, reset relative logic
3	RW	0x0	resetn_sbr_ch3 When high, reset relative logic
2	RW	0x1	resetn_dfi_ch3 When high, reset relative logic
1	RW	0x0	tmresetn_dds_mon_ch3 When high, reset relative logic
0	RW	0x0	presetn_dds_upctl_ch3 When high, reset relative logic

**CRU SOFTRST CON25**

Address: Operational Base + offset (0x0A64)

Bit	Attr	Reset Value	Description
31:16	WO	0x0000	write_enable Write enable for lower 16 bits, each bit is individual. 1'b0: Write access disable 1'b1: Write access enable
15:9	RO	0x00	reserved
8	RW	0x0	presetn_dds_ddrsch3 When high, reset relative logic
7	RW	0x0	presetn_dds_ddrsch2 When high, reset relative logic
6	RW	0x0	aresetn_dds_frs_scramble3 When high, reset relative logic
5	RW	0x0	aresetn_dds_scramble3 When high, reset relative logic
4	RW	0x0	aresetn_dds_frs_ddrsch3 When high, reset relative logic
3	RW	0x0	aresetn_dds_rs_ddrsch3 When high, reset relative logic
2	RW	0x0	aresetn_dds_ddrsch3 When high, reset relative logic
1	RW	0x0	aresetn_dds_frs_scramble2 When high, reset relative logic
0	RW	0x0	aresetn_dds_scramble2 When high, reset relative logic

**CRU SOFTRST CON26**

Address: Operational Base + offset (0x0A68)

Bit	Attr	Reset Value	Description
31:16	WO	0x0000	write_enable Write enable for lower 16 bits, each bit is individual. 1'b0: Write access disable 1'b1: Write access enable
15:9	RO	0x00	reserved
8	RW	0x0	hresetn_isp1_biu When high, reset relative logic
7	RO	0x0	reserved
6	RW	0x0	aresetn_isp1_biu When high, reset relative logic
5	RO	0x0	reserved
4	RW	0x0	resetn_isp1_vicap When high, reset relative logic
3	RW	0x0	resetn_isp1 When high, reset relative logic
2:0	RO	0x0	reserved

**CRU SOFTRST CON27**

Address: Operational Base + offset (0x0A6C)

Bit	Attr	Reset Value	Description
31:16	WO	0x0000	write_enable Write enable for lower 16 bits, each bit is individual. 1'b0: Write access disable 1'b1: Write access enable
15:4	RO	0x000	reserved
3	RW	0x0	hresetn_rknn1_biu When high, reset relative logic
2	RW	0x0	hresetn_rknn1 When high, reset relative logic
1	RW	0x0	aresetn_rknn1_biu When high, reset relative logic
0	RW	0x0	aresetn_rknn1 When high, reset relative logic

**CRU SOFTRST CON28**

Address: Operational Base + offset (0x0A70)

Bit	Attr	Reset Value	Description
31:16	WO	0x0000	write_enable Write enable for lower 16 bits, each bit is individual. 1'b0: Write access disable 1'b1: Write access enable
15:4	RO	0x000	reserved
3	RW	0x0	hresetn_rknn2_biu When high, reset relative logic
2	RW	0x0	hresetn_rknn2 When high, reset relative logic
1	RW	0x0	aresetn_rknn2_biu When high, reset relative logic
0	RW	0x0	aresetn_rknn2 When high, reset relative logic

**CRU SOFTRST CON29**

Address: Operational Base + offset (0x0A74)

Bit	Attr	Reset Value	Description
31:16	WO	0x0000	write_enable Write enable for lower 16 bits, each bit is individual. 1'b0: Write access disable 1'b1: Write access enable
15	RO	0x0	reserved
14	RW	0x0	resetsn_pvtm1 When high, reset relative logic
13	RW	0x0	presetsn_npu_grf When high, reset relative logic
12	RW	0x0	presetsn_pvtm1 When high, reset relative logic
11	RW	0x0	tresetsn_npu_wdt When high, reset relative logic
10	RW	0x0	presetsn_npu_wdt When high, reset relative logic
9	RW	0x0	resetsn_nputimer1 When high, reset relative logic
8	RW	0x0	resetsn_nputimer0 When high, reset relative logic
7	RO	0x0	reserved
6	RW	0x0	presetsn_npu_timer When high, reset relative logic
5	RW	0x0	presetsn_nputop_biu When high, reset relative logic
4	RO	0x0	reserved
3	RW	0x0	aresetsn_rknn_dsu0 When high, reset relative logic
2:0	RO	0x0	reserved

**CRU SOFTRST CON30**

Address: Operational Base + offset (0x0A78)

Bit	Attr	Reset Value	Description
31:16	WO	0x0000	write_enable Write enable for lower 16 bits, each bit is individual. 1'b0: Write access disable 1'b1: Write access enable
15:10	RO	0x00	reserved
9	RW	0x0	hresetsn_rknn0_biu When high, reset relative logic
8	RW	0x0	hresetsn_rknn0 When high, reset relative logic
7	RW	0x0	aresetsn_rknn0_biu When high, reset relative logic
6	RW	0x0	aresetsn_rknn0 When high, reset relative logic
5	RO	0x0	reserved
4	RW	0x0	tresetsn_npu_cm0_jtag When high, reset relative logic
3	RW	0x1	fresetsn_npu_cm0_core When high, reset relative logic
2	RW	0x0	hresetsn_npu_cm0_biu When high, reset relative logic
1	RO	0x0	reserved

Bit	Attr	Reset Value	Description
0	RW	0x0	resetrn_npu_pvtpll When high, reset relative logic

**CRU SOFTRST CON31**

Address: Operational Base + offset (0x0A7C)

Bit	Attr	Reset Value	Description
31:16	WO	0x0000	write_enable Write enable for lower 16 bits, each bit is individual. 1'b0: Write access disable 1'b1: Write access enable
15:12	RO	0x0	reserved
11	RW	0x0	hresetrn_sfc_xip When high, reset relative logic
10	RW	0x0	hresetrn_sfc When high, reset relative logic
9	RW	0x0	sresetrn_sfc When high, reset relative logic
8	RW	0x0	tresetrn_emmc When high, reset relative logic
7	RW	0x0	bresetrn_emmc When high, reset relative logic
6	RW	0x0	crestrn_emmc When high, reset relative logic
5	RW	0x0	aresetrn_emmc When high, reset relative logic
4	RW	0x0	hresetrn_emmc When high, reset relative logic
3	RW	0x0	aresetrn_nvm_biu When high, reset relative logic
2	RW	0x0	hresetrn_nvm_biu When high, reset relative logic
1:0	RO	0x0	reserved

**CRU SOFTRST CON32**

Address: Operational Base + offset (0x0A80)

Bit	Attr	Reset Value	Description
31:16	WO	0x0000	write_enable Write enable for lower 16 bits, each bit is individual. 1'b0: Write access disable 1'b1: Write access enable
15	RW	0x1	resetrn_pcie_1l0_power_up When high, reset relative logic
14	RW	0x1	resetrn_pcie_2l_power_up When high, reset relative logic
13	RW	0x1	resetrn_pcie_4l_power_up When high, reset relative logic
12	RW	0x0	aresetrn_pcie_biu When high, reset relative logic
11	RW	0x0	aresetrn_gmac1 When high, reset relative logic
10	RW	0x0	aresetrn_gmac0 When high, reset relative logic
9	RW	0x0	aresetrn_php_biu When high, reset relative logic

Bit	Attr	Reset Value	Description
8	RW	0x0	aresetn_pcie_bridge When high, reset relative logic
7:6	RO	0x0	reserved
5	RW	0x0	presetn_php_biu When high, reset relative logic
4:3	RO	0x0	reserved
2	RW	0x0	presetn_dec_biu When high, reset relative logic
1	RW	0x0	presetn_grf When high, reset relative logic
0	RO	0x0	reserved

**CRU SOFTRST CON33**

Address: Operational Base + offset (0x0A84)

Bit	Attr	Reset Value	Description
31:16	WO	0x0000	write_enable Write enable for lower 16 bits, each bit is individual. 1'b0: Write access disable 1'b1: Write access enable
15	RW	0x0	presetn_pcie_1l1 When high, reset relative logic
14	RW	0x0	presetn_pcie_1l0 When high, reset relative logic
13	RW	0x0	presetn_pcie_2l When high, reset relative logic
12	RW	0x0	presetn_pcie_4l When high, reset relative logic
11:2	RO	0x000	reserved
1	RW	0x1	resetn_pcie_1l2_power_up When high, reset relative logic
0	RW	0x1	resetn_pcie_1l1_power_up When high, reset relative logic

**CRU SOFTRST CON34**

Address: Operational Base + offset (0x0A88)

Bit	Attr	Reset Value	Description
31:16	WO	0x0000	write_enable Write enable for lower 16 bits, each bit is individual. 1'b0: Write access disable 1'b1: Write access enable
15:10	RO	0x00	reserved
9	RW	0x0	aresetn_mmu_biu When high, reset relative logic
8	RW	0x0	aresetn_mmu_php When high, reset relative logic
7	RW	0x0	aresetn_mmu_pcie When high, reset relative logic
6	RW	0x0	aresetn_php_gic_its When high, reset relative logic
5:1	RO	0x00	reserved
0	RW	0x0	presetn_pcie_1l2 When high, reset relative logic

**CRU SOFTRST CON35**



## RK3588 TRM-Part1

Address: Operational Base + offset (0x0A8C)

Bit	Attr	Reset Value	Description
31:16	WO	0x0000	write_enable Write enable for lower 16 bits, each bit is individual. 1'b0: Write access disable 1'b1: Write access enable
15:8	RO	0x00	reserved
7	RW	0x0	aresetn_usb3otg2 When high, reset relative logic
6:0	RO	0x00	reserved

### **CRU SOFTRST CON37**

Address: Operational Base + offset (0x0A94)

Bit	Attr	Reset Value	Description
31:16	WO	0x0000	write_enable Write enable for lower 16 bits, each bit is individual. 1'b0: Write access disable 1'b1: Write access enable
15	RW	0x0	resetn_asic2 When high, reset relative logic
14	RW	0x0	resetn_asic1 When high, reset relative logic
13	RW	0x0	resetn_asic0 When high, reset relative logic
12	RW	0x0	resetn_rxoob2 When high, reset relative logic
11	RW	0x0	resetn_rxoob1 When high, reset relative logic
10	RW	0x0	resetn_rxoob0 When high, reset relative logic
9	RW	0x0	aresetn_sata2 When high, reset relative logic
8	RW	0x0	aresetn_sata1 When high, reset relative logic
7	RW	0x0	aresetn_sata0 When high, reset relative logic
6	RW	0x0	resetn_pmalive2 When high, reset relative logic
5	RW	0x0	resetn_pmalive1 When high, reset relative logic
4	RW	0x0	resetn_pmalive0 When high, reset relative logic
3:0	RO	0x0	reserved

### **CRU SOFTRST CON40**

Address: Operational Base + offset (0x0AA0)

Bit	Attr	Reset Value	Description
31:16	WO	0x0000	write_enable Write enable for lower 16 bits, each bit is individual. 1'b0: Write access disable 1'b1: Write access enable
15:10	RO	0x00	reserved
9	RW	0x0	resetn_rkvdec0_core When high, reset relative logic

Bit	Attr	Reset Value	Description
8	RW	0x0	resetrn_rkvdec0_hevc_ca When high, reset relative logic
7	RW	0x0	resetrn_rkvdec0_ca When high, reset relative logic
6	RW	0x0	aresetrn_rkvdec0_biu When high, reset relative logic
5	RW	0x0	hresetrn_rkvdec0_biu When high, reset relative logic
4	RW	0x0	aresetrn_rkvdec0 When high, reset relative logic
3	RW	0x0	hresetrn_rkvdec0 When high, reset relative logic
2	RW	0x0	aresetrn_rkvdec0_ccu When high, reset relative logic
1:0	RO	0x0	reserved

**CRU SOFTRST CON41**

Address: Operational Base + offset (0x0AA4)

Bit	Attr	Reset Value	Description
31:16	WO	0x0000	write_enable Write enable for lower 16 bits, each bit is individual. 1'b0: Write access disable 1'b1: Write access enable
15:9	RO	0x00	reserved
8	RW	0x0	resetrn_rkvdec1_core When high, reset relative logic
7	RW	0x0	resetrn_rkvdec1_hevc_ca When high, reset relative logic
6	RW	0x0	resetrn_rkvdec1_ca When high, reset relative logic
5	RW	0x0	aresetrn_rkvdec1_biu When high, reset relative logic
4	RW	0x0	hresetrn_rkvdec1_biu When high, reset relative logic
3	RW	0x0	aresetrn_rkvdec1 When high, reset relative logic
2	RW	0x0	hresetrn_rkvdec1 When high, reset relative logic
1:0	RO	0x0	reserved

**CRU SOFTRST CON42**

Address: Operational Base + offset (0x0AA8)

Bit	Attr	Reset Value	Description
31:16	WO	0x0000	write_enable Write enable for lower 16 bits, each bit is individual. 1'b0: Write access disable 1'b1: Write access enable
15	RW	0x0	cresestrn_usb2p0_host0 When high, reset relative logic
14	RW	0x0	aresetrn_usb_grf When high, reset relative logic
13	RW	0x0	hresetrn_host_arb1 When high, reset relative logic

Bit	Attr	Reset Value	Description
12	RW	0x0	hresetn_host1 When high, reset relative logic
11	RW	0x0	hresetn_host_arb0 When high, reset relative logic
10	RW	0x0	hresetn_host0 When high, reset relative logic
9:8	RO	0x0	reserved
7	RW	0x0	aresetn_usb3otg1 When high, reset relative logic
6:5	RO	0x0	reserved
4	RW	0x0	aresetn_usb3otg0 When high, reset relative logic
3	RW	0x0	hresetn_usb_biu When high, reset relative logic
2	RW	0x0	aresetn_usb_biu When high, reset relative logic
1:0	RO	0x0	reserved

**CRU SOFTRST CON43**

Address: Operational Base + offset (0x0AAC)

Bit	Attr	Reset Value	Description
31:16	WO	0x0000	write_enable Write enable for lower 16 bits, each bit is individual. 1'b0: Write access disable 1'b1: Write access enable
15:3	RO	0x0000	reserved
2	RW	0x0	resetn_host_utmi1 When high, reset relative logic
1	RW	0x0	resetn_host_utmi0 When high, reset relative logic
0	RW	0x0	cresetn_usb2p0_host1 When high, reset relative logic

**CRU SOFTRST CON44**

Address: Operational Base + offset (0x0AB0)

Bit	Attr	Reset Value	Description
31:16	WO	0x0000	write_enable Write enable for lower 16 bits, each bit is individual. 1'b0: Write access disable 1'b1: Write access enable
15	RW	0x0	hresetn_jpeg_encoder2 When high, reset relative logic
14	RW	0x0	aresetn_jpeg_encoder2 When high, reset relative logic
13	RW	0x0	hresetn_jpeg_encoder1 When high, reset relative logic
12	RW	0x0	aresetn_jpeg_encoder1 When high, reset relative logic
11	RW	0x0	hresetn_jpeg_encoder0 When high, reset relative logic
10	RW	0x0	aresetn_jpeg_encoder0 When high, reset relative logic
9	RW	0x0	hresetn_vpu When high, reset relative logic

Bit	Attr	Reset Value	Description
8	RW	0x0	aresetn_vpu When high, reset relative logic
7	RW	0x0	aresetn_jpeg_decoder_biu When high, reset relative logic
6	RW	0x0	hresetn_vdpu_biu When high, reset relative logic
5	RW	0x0	aresetn_vdpu_low_biu When high, reset relative logic
4	RW	0x0	aresetn_vdpu_biu When high, reset relative logic
3:0	RO	0x0	reserved

**CRU SOFTRST CON45**

Address: Operational Base + offset (0x0AB4)

Bit	Attr	Reset Value	Description
31:16	WO	0x0000	write_enable Write enable for lower 16 bits, each bit is individual. 1'b0: Write access disable 1'b1: Write access enable
15:13	RO	0x0	reserved
12	RW	0x0	resetn_rga3_0_core When high, reset relative logic
11	RW	0x0	aresetn_rga3_0 When high, reset relative logic
10	RW	0x0	hresetn_rga3_0 When high, reset relative logic
9	RW	0x0	resetn_rga2_core When high, reset relative logic
8	RW	0x0	aresetn_rga2 When high, reset relative logic
7	RW	0x0	hresetn_rga2 When high, reset relative logic
6	RW	0x0	resetn_iep2p0_core When high, reset relative logic
5	RW	0x0	aresetn_iep2p0 When high, reset relative logic
4	RW	0x0	hresetn_iep2p0 When high, reset relative logic
3	RW	0x0	hresetn_jpeg_decoder When high, reset relative logic
2	RW	0x0	aresetn_jpeg_decoder When high, reset relative logic
1	RW	0x0	hresetn_jpeg_encoder3 When high, reset relative logic
0	RW	0x0	aresetn_jpeg_encoder3 When high, reset relative logic

**CRU SOFTRST CON47**

Address: Operational Base + offset (0x0ABC)

Bit	Attr	Reset Value	Description
31:16	WO	0x0000	write_enable Write enable for lower 16 bits, each bit is individual. 1'b0: Write access disable 1'b1: Write access enable

Bit	Attr	Reset Value	Description
15:7	RO	0x000	reserved
6	RW	0x0	resetrn_rkvenc0_core When high, reset relative logic
5	RW	0x0	aresetrn_rkvenc0 When high, reset relative logic
4	RW	0x0	hresetrn_rkvenc0 When high, reset relative logic
3	RW	0x0	aresetrn_rkvenc0_biu When high, reset relative logic
2	RW	0x0	hresetrn_rkvenc0_biu When high, reset relative logic
1:0	RO	0x0	reserved

**CRU SOFTRST CON48**

Address: Operational Base + offset (0x0AC0)

Bit	Attr	Reset Value	Description
31:16	WO	0x0000	write_enable Write enable for lower 16 bits, each bit is individual. 1'b0: Write access disable 1'b1: Write access enable
15:7	RO	0x000	reserved
6	RW	0x0	resetrn_rkvenc1_core When high, reset relative logic
5	RW	0x0	aresetrn_rkvenc1 When high, reset relative logic
4	RW	0x0	hresetrn_rkvenc1 When high, reset relative logic
3	RW	0x0	aresetrn_rkvenc1_biu When high, reset relative logic
2	RW	0x0	hresetrn_rkvenc1_biu When high, reset relative logic
1:0	RO	0x0	reserved

**CRU SOFTRST CON49**

Address: Operational Base + offset (0x0AC4)

Bit	Attr	Reset Value	Description
31:16	WO	0x0000	write_enable Write enable for lower 16 bits, each bit is individual. 1'b0: Write access disable 1'b1: Write access enable
15:12	RO	0x0	reserved
11	RW	0x0	resetrn_isp0_vicap When high, reset relative logic
10	RW	0x0	resetrn_isp0 When high, reset relative logic
9	RO	0x0	reserved
8	RW	0x0	hresetrn_vicap When high, reset relative logic
7	RW	0x0	aresetrn_vicap When high, reset relative logic
6	RW	0x0	dresetrn_vicap When high, reset relative logic
5	RW	0x0	presetrn_vi_biu When high, reset relative logic

Bit	Attr	Reset Value	Description
4	RW	0x0	hresetn_vi_biu When high, reset relative logic
3	RW	0x0	aresetn_vi_biu When high, reset relative logic
2:0	RO	0x0	reserved

**CRU SOFTRST CON50**

Address: Operational Base + offset (0x0AC8)

Bit	Attr	Reset Value	Description
31:16	WO	0x0000	write_enable Write enable for lower 16 bits, each bit is individual. 1'b0: Write access disable 1'b1: Write access enable
15:10	RO	0x00	reserved
9	RW	0x0	presetn_csi_host_5 When high, reset relative logic
8	RW	0x0	presetn_csi_host_4 When high, reset relative logic
7	RW	0x0	presetn_csi_host_3 When high, reset relative logic
6	RW	0x0	presetn_csi_host_2 When high, reset relative logic
5	RW	0x0	presetn_csi_host_1 When high, reset relative logic
4	RW	0x0	presetn_csi_host_0 When high, reset relative logic
3	RW	0x0	resetn_fisheye1 When high, reset relative logic
2:1	RO	0x0	reserved
0	RW	0x0	resetn_fisheye0 When high, reset relative logic

**CRU SOFTRST CON51**

Address: Operational Base + offset (0x0ACC)

Bit	Attr	Reset Value	Description
31:16	WO	0x0000	write_enable Write enable for lower 16 bits, each bit is individual. 1'b0: Write access disable 1'b1: Write access enable
15:14	RO	0x0	reserved
13	RW	0x0	resetn_cifin When high, reset relative logic
12:10	RO	0x0	reserved
9	RW	0x0	resetn_csihost5_vicap When high, reset relative logic
8	RW	0x0	resetn_csihost4_vicap When high, reset relative logic
7	RW	0x0	resetn_csihost3_vicap When high, reset relative logic
6	RW	0x0	resetn_csihost2_vicap When high, reset relative logic
5	RW	0x0	resetn_csihost1_vicap When high, reset relative logic

Bit	Attr	Reset Value	Description
4	RW	0x0	resetsn_csihost0_vicap When high, reset relative logic
3:0	RO	0x0	reserved

**CRU SOFTRST CON52**

Address: Operational Base + offset (0x0AD0)

Bit	Attr	Reset Value	Description
31:16	WO	0x0000	write_enable Write enable for lower 16 bits, each bit is individual. 1'b0: Write access disable 1'b1: Write access enable
15	RW	0x0	dresetsn_vp2hdmi_bridge1 When high, reset relative logic
14	RW	0x0	dresetsn_vp2hdmi_bridge0 When high, reset relative logic
13	RW	0x0	dresetsn_vp0 When high, reset relative logic
12:10	RO	0x0	reserved
9	RW	0x0	aresetsn_vop When high, reset relative logic
8	RW	0x0	hresetsn_vop When high, reset relative logic
7	RW	0x0	presetsn_vop_biu When high, reset relative logic
6	RW	0x0	hresetsn_vop_biu When high, reset relative logic
5	RW	0x0	aresetsn_vop_low_biu When high, reset relative logic
4	RW	0x0	aresetsn_vop_biu When high, reset relative logic
3:0	RO	0x0	reserved

**CRU SOFTRST CON53**

Address: Operational Base + offset (0x0AD4)

Bit	Attr	Reset Value	Description
31:16	WO	0x0000	write_enable Write enable for lower 16 bits, each bit is individual. 1'b0: Write access disable 1'b1: Write access enable
15:10	RO	0x00	reserved
9	RW	0x0	presetsn_vop_channel_biu When high, reset relative logic
8	RW	0x0	resetsn_vop_pmu When high, reset relative logic
7	RW	0x0	resetsn_dsihost1 When high, reset relative logic
6	RW	0x0	resetsn_dsihost0 When high, reset relative logic
5	RW	0x0	presetsn_dsihost1 When high, reset relative logic
4	RW	0x0	presetsn_dsihost0 When high, reset relative logic
3	RW	0x0	presetsn_vopgrf When high, reset relative logic

Bit	Attr	Reset Value	Description
2	RW	0x0	dresetn_vp3 When high, reset relative logic
1	RW	0x0	dresetn_vp2 When high, reset relative logic
0	RW	0x0	dresetn_vp1 When high, reset relative logic

**CRU SOFTRST CON55**

Address: Operational Base + offset (0x0ADC)

Bit	Attr	Reset Value	Description
31:16	WO	0x0000	write_enable Write enable for lower 16 bits, each bit is individual. 1'b0: Write access disable 1'b1: Write access enable
15	RW	0x0	resetn_hdcp0 When high, reset relative logic
14	RO	0x0	reserved
13	RW	0x0	hresetn_hdcp0 When high, reset relative logic
12	RW	0x0	aresetn_hdcp0 When high, reset relative logic
11	RW	0x0	hresetn_hdcp_key0 When high, reset relative logic
10	RW	0x0	presetn_vo0grf When high, reset relative logic
9	RW	0x0	aresetn_hdcp0_biu When high, reset relative logic
8	RW	0x0	presetn_vo0_s_biu When high, reset relative logic
7	RW	0x0	presetn_vo0_biu When high, reset relative logic
6	RW	0x0	hresetn_vo0_s_biu When high, reset relative logic
5	RW	0x0	hresetn_vo0_biu When high, reset relative logic
4:0	RO	0x00	reserved

**CRU SOFTRST CON56**

Address: Operational Base + offset (0x0AE0)

Bit	Attr	Reset Value	Description
31:16	WO	0x0000	write_enable Write enable for lower 16 bits, each bit is individual. 1'b0: Write access disable 1'b1: Write access enable
15	RO	0x0	reserved
14	RW	0x0	hresetn_i2s8_8ch When high, reset relative logic
13	RW	0x0	mresetn_i2s4_8ch_tx When high, reset relative logic
12:11	RO	0x0	reserved
10	RW	0x0	hresetn_i2s4_8ch When high, reset relative logic
9	RW	0x0	resetn_dp1 When high, reset relative logic



Bit	Attr	Reset Value	Description
8	RW	0x0	resetsn_dp0 When high, reset relative logic
7:2	RO	0x00	reserved
1	RW	0x0	presetsn_trng0 When high, reset relative logic
0	RO	0x0	reserved

**CRU SOFTRST CON57**

Address: Operational Base + offset (0x0AE4)

Bit	Attr	Reset Value	Description
31:16	WO	0x0000	write_enable Write enable for lower 16 bits, each bit is individual. 1'b0: Write access disable 1'b1: Write access enable
15:12	RO	0x0	reserved
11	RW	0x0	mresetsn_spdif5_dp1 When high, reset relative logic
10:8	RO	0x0	reserved
7	RW	0x0	hresetsn_spdif5_dp1 When high, reset relative logic
6	RW	0x0	mresetsn_spdif2_dp0 When high, reset relative logic
5:3	RO	0x0	reserved
2	RW	0x0	hresetsn_spdif2_dp0 When high, reset relative logic
1	RW	0x0	mresetsn_i2s8_8ch_tx When high, reset relative logic
0	RO	0x0	reserved

**CRU SOFTRST CON59**

Address: Operational Base + offset (0x0AEC)

Bit	Attr	Reset Value	Description
31:16	WO	0x0000	write_enable Write enable for lower 16 bits, each bit is individual. 1'b0: Write access disable 1'b1: Write access enable
15:14	RO	0x0	reserved
13	RW	0x0	presetsn_vo1_s_biu When high, reset relative logic
12	RW	0x0	presetsn_vo1grf When high, reset relative logic
11	RW	0x0	hresetsn_vo1_biu When high, reset relative logic
10	RW	0x0	hresetsn_vo1_s_biu When high, reset relative logic
9	RW	0x0	hresetsn_vo1_biu When high, reset relative logic
8	RW	0x0	aresetsn_vo1_biu When high, reset relative logic
7	RO	0x0	reserved
6	RW	0x0	aresetsn_hdcp1_biu When high, reset relative logic
5:0	RO	0x00	reserved

**CRU SOFTRST CON60**

Address: Operational Base + offset (0x0AF0)

Bit	Attr	Reset Value	Description
31:16	WO	0x0000	write_enable Write enable for lower 16 bits, each bit is individual. 1'b0: Write access disable 1'b1: Write access enable
15:12	RO	0x0	reserved
11	RW	0x0	presetn_hdmitx0 When high, reset relative logic
10	RW	0x0	presetn_trng1 When high, reset relative logic
9	RO	0x0	reserved
8	RW	0x0	resetn_hdcp1 When high, reset relative logic
7	RO	0x0	reserved
6	RW	0x0	hresetn_hdcp1 When high, reset relative logic
5	RW	0x0	aresetn_hdcp1 When high, reset relative logic
4	RW	0x0	hresetn_hdcp_key1 When high, reset relative logic
3	RW	0x0	mresetn_i2s7_8ch_rx When high, reset relative logic
2:1	RO	0x0	reserved
0	RW	0x0	hresetn_i2s7_8ch When high, reset relative logic

**CRU SOFTRST CON61**

Address: Operational Base + offset (0x0AF4)

Bit	Attr	Reset Value	Description
31:16	WO	0x0000	write_enable Write enable for lower 16 bits, each bit is individual. 1'b0: Write access disable 1'b1: Write access enable
15:12	RO	0x0	reserved
11	RW	0x0	resetn_hdmirx_ref When high, reset relative logic
10	RW	0x0	presetn_hdmirx When high, reset relative logic
9	RW	0x0	aresetn_hdmirx When high, reset relative logic
8	RO	0x0	reserved
7	RW	0x0	resetn_hdmitx1_ref When high, reset relative logic
6:3	RO	0x0	reserved
2	RW	0x0	presetn_hdmitx1 When high, reset relative logic
1	RO	0x0	reserved
0	RW	0x0	resetn_hdmitx0_ref When high, reset relative logic

**CRU SOFTRST CON62**

Address: Operational Base + offset (0x0AF8)

Bit	Attr	Reset Value	Description
31:16	WO	0x0000	write_enable Write enable for lower 16 bits, each bit is individual. 1'b0: Write access disable 1'b1: Write access enable
15	RW	0x0	mresetn_i2s6_8ch_tx When high, reset relative logic
14:13	RO	0x0	reserved
12	RW	0x0	hresetn_i2s5_8ch When high, reset relative logic
11:9	RO	0x0	reserved
8	RW	0x0	mresetn_i2s5_8ch_tx When high, reset relative logic
7:5	RO	0x0	reserved
4	RW	0x0	resetn_edp1_24m When high, reset relative logic
3	RW	0x0	presetn_edp1 When high, reset relative logic
2	RO	0x0	reserved
1	RW	0x0	resetn_edp0_24m When high, reset relative logic
0	RW	0x0	presetn_edp0 When high, reset relative logic

**CRU SOFTRST CON63**

Address: Operational Base + offset (0x0AFC)

Bit	Attr	Reset Value	Description
31:16	WO	0x0000	write_enable Write enable for lower 16 bits, each bit is individual. 1'b0: Write access disable 1'b1: Write access enable
15	RW	0x0	mresetn_spdifrx1 When high, reset relative logic
14	RW	0x0	hresetn_spdifrx1 When high, reset relative logic
13	RW	0x0	mresetn_spdifrx0 When high, reset relative logic
12	RW	0x0	hresetn_spdifrx0 When high, reset relative logic
11	RW	0x0	mresetn_spdif4 When high, reset relative logic
10:9	RO	0x0	reserved
8	RW	0x0	hresetn_spdif4 When high, reset relative logic
7	RW	0x0	mresetn_spdif3 When high, reset relative logic
6:5	RO	0x0	reserved
4	RW	0x0	hresetn_spdif3 When high, reset relative logic
3	RW	0x0	hresetn_i2s6_8ch When high, reset relative logic
2	RW	0x0	mresetn_i2s6_8ch_rx When high, reset relative logic
1:0	RO	0x0	reserved

**CRU SOFTRST CON64**

Address: Operational Base + offset (0x0B00)

Bit	Attr	Reset Value	Description
31:16	WO	0x0000	write_enable Write enable for lower 16 bits, each bit is individual. 1'b0: Write access disable 1'b1: Write access enable
15	RW	0x0	resetrn_vo1_bridge1 When high, reset relative logic
14	RW	0x0	resetrn_vo1_bridge0 When high, reset relative logic
13	RW	0x0	resetrn_linksym_hdmitxphy1 When high, reset relative logic
12	RW	0x0	resetrn_linksym_hdmitxphy0 When high, reset relative logic
11:2	RO	0x000	reserved
1	RW	0x0	mresetrn_spdifrx2 When high, reset relative logic
0	RW	0x0	hresetrn_spdifrx2 When high, reset relative logic

**CRU SOFTRST CON65**

Address: Operational Base + offset (0x0B04)

Bit	Attr	Reset Value	Description
31:16	WO	0x0000	write_enable Write enable for lower 16 bits, each bit is individual. 1'b0: Write access disable 1'b1: Write access enable
15:9	RO	0x00	reserved
8	RW	0x0	presetrn_s_hdmirx When high, reset relative logic
7	RW	0x0	mresetrn_i2s10_8ch_rx When high, reset relative logic
6:5	RO	0x0	reserved
4	RW	0x0	hresetrn_i2s10_8ch When high, reset relative logic
3	RW	0x0	mresetrn_i2s9_8ch_rx When high, reset relative logic
2:1	RO	0x0	reserved
0	RW	0x0	hresetrn_i2s9_8ch When high, reset relative logic

**CRU SOFTRST CON66**

Address: Operational Base + offset (0x0B08)

Bit	Attr	Reset Value	Description
31:16	WO	0x0000	write_enable Write enable for lower 16 bits, each bit is individual. 1'b0: Write access disable 1'b1: Write access enable
15	RW	0x0	presetrn_pvtm2 When high, reset relative logic
14	RW	0x0	presetrn_gpu_biu When high, reset relative logic
13	RO	0x0	reserved

Bit	Attr	Reset Value	Description
12	RW	0x0	aresetn_m3_gpu_biu When high, reset relative logic
11	RW	0x0	aresetn_m2_gpu_biu When high, reset relative logic
10	RW	0x0	aresetn_m1_gpu_biu When high, reset relative logic
9	RW	0x0	aresetn_m0_gpu_biu When high, reset relative logic
8	RW	0x0	aresetn_s_gpu_biu When high, reset relative logic
7:6	RO	0x0	reserved
5	RW	0x0	sysresetn_gpu When high, reset relative logic
4	RW	0x0	resetn_gpu When high, reset relative logic
3:0	RO	0x0	reserved

**CRU SOFTRST CON67**

Address: Operational Base + offset (0x0B0C)

Bit	Attr	Reset Value	Description
31:16	WO	0x0000	write_enable Write enable for lower 16 bits, each bit is individual. 1'b0: Write access disable 1'b1: Write access enable
15:5	RO	0x000	reserved
4	RW	0x0	poresetn_gpu_jtag When high, reset relative logic
3	RW	0x0	resetn_gpu_pvtpll When high, reset relative logic
2	RW	0x0	presetn_gpu_grf When high, reset relative logic
1	RO	0x0	reserved
0	RW	0x0	resetn_pvtm2 When high, reset relative logic

**CRU SOFTRST CON68**

Address: Operational Base + offset (0x0B10)

Bit	Attr	Reset Value	Description
31:16	WO	0x0000	write_enable Write enable for lower 16 bits, each bit is individual. 1'b0: Write access disable 1'b1: Write access enable
15:6	RO	0x000	reserved
5	RW	0x0	presetn_av1 When high, reset relative logic
4	RW	0x0	presetn_av1_biu When high, reset relative logic
3	RO	0x0	reserved
2	RW	0x0	aresetn_av1 When high, reset relative logic
1	RW	0x0	aresetn_av1_biu When high, reset relative logic
0	RO	0x0	reserved

**CRU SOFTRST CON69**

Address: Operational Base + offset (0x0B14)

Bit	Attr	Reset Value	Description
31:16	WO	0x0000	write_enable Write enable for lower 16 bits, each bit is individual. 1'b0: Write access disable 1'b1: Write access enable
15	RO	0x0	reserved
14	RW	0x1	fresetn_dds_cm0_core When high, reset relative logic
13	RW	0x0	hresetn_center_biu When high, reset relative logic
12	RW	0x0	hresetn_ahb2apb When high, reset relative logic
11	RW	0x0	aresetn_center_s400_biu When high, reset relative logic
10	RW	0x0	aresetn_center_s200_biu When high, reset relative logic
9:8	RO	0x0	reserved
7	RW	0x0	aresetn_dds_sharemem_biu When high, reset relative logic
6	RW	0x0	aresetn_dds_sharemem When high, reset relative logic
5	RW	0x0	aresetn_dma2ddr When high, reset relative logic
4	RW	0x0	aresetn_dds_biu When high, reset relative logic
3:0	RO	0x0	reserved

**CRU SOFTRST CON70**

Address: Operational Base + offset (0x0B18)

Bit	Attr	Reset Value	Description
31:16	WO	0x0000	write_enable Write enable for lower 16 bits, each bit is individual. 1'b0: Write access disable 1'b1: Write access enable
15:13	RO	0x0	reserved
12	RW	0x0	presetn_center_channel_biu When high, reset relative logic
11	RW	0x0	presetn_center_biu When high, reset relative logic
10	RW	0x0	presetn_sharemem When high, reset relative logic
9	RW	0x0	presetn_dma2ddr When high, reset relative logic
8	RW	0x0	presetn_timer When high, reset relative logic
7	RW	0x0	presetn_wdt When high, reset relative logic
6	RW	0x0	presetn_ahb2apb When high, reset relative logic
5	RW	0x0	presetn_center_grf When high, reset relative logic
4	RO	0x0	reserved

Bit	Attr	Reset Value	Description
3	RW	0x0	tresetn_dds_cm0_jtag When high, reset relative logic
2	RW	0x0	tresetn_wdt_dds When high, reset relative logic
1	RW	0x0	resetn_dds_timer1 When high, reset relative logic
0	RW	0x0	resetn_dds_timer0 When high, reset relative logic

**CRU SOFTRST CON72**

Address: Operational Base + offset (0x0B20)

Bit	Attr	Reset Value	Description
31:16	WO	0x0000	write_enable Write enable for lower 16 bits, each bit is individual. 1'b0: Write access disable 1'b1: Write access enable
15:12	RO	0x0	reserved
11	RW	0x0	presetn_usb2phy_u2_1_grf0 When high, reset relative logic
10	RW	0x0	presetn_usb2phy_u2_0_grf0 When high, reset relative logic
9	RW	0x0	presetn_usb2phy_u3_1_grf0 When high, reset relative logic
8	RW	0x0	presetn_usb2phy_u3_0_grf0 When high, reset relative logic
7	RW	0x0	presetn_apb2asb_slv_bot_right When high, reset relative logic
6	RW	0x0	presetn_hdptx1 When high, reset relative logic
5	RW	0x0	presetn_hdptx0 When high, reset relative logic
4	RW	0x0	presetn_usbdpphy1 When high, reset relative logic
3	RW	0x0	presetn_usbdpgrf1 When high, reset relative logic
2	RW	0x0	presetn_usbdpphy0 When high, reset relative logic
1	RW	0x0	presetn_usbdpgrf0 When high, reset relative logic
0	RO	0x0	reserved

**CRU SOFTRST CON73**

Address: Operational Base + offset (0x0B24)

Bit	Attr	Reset Value	Description
31:16	WO	0x0000	write_enable Write enable for lower 16 bits, each bit is individual. 1'b0: Write access disable 1'b1: Write access enable
15:14	RO	0x0	reserved
13	RW	0x0	resetn_hdmihdp1 When high, reset relative logic
12	RW	0x0	resetn_hdmihdp0 When high, reset relative logic
11:0	RO	0x0000	reserved

**CRU SOFTRST CON74**

Address: Operational Base + offset (0x0B28)

Bit	Attr	Reset Value	Description
31:16	WO	0x0000	write_enable Write enable for lower 16 bits, each bit is individual. 1'b0: Write access disable 1'b1: Write access enable
15:4	RO	0x000	reserved
3	RW	0x0	hresetn_vo1usb_top_biu When high, reset relative logic
2	RO	0x0	reserved
1	RW	0x0	aresetn_vo1usb_top_biu When high, reset relative logic
0	RO	0x0	reserved

**CRU SOFTRST CON75**

Address: Operational Base + offset (0x0B2C)

Bit	Attr	Reset Value	Description
31:16	WO	0x0000	write_enable Write enable for lower 16 bits, each bit is individual. 1'b0: Write access disable 1'b1: Write access enable
15:4	RO	0x000	reserved
3	RW	0x0	resetn_sdio When high, reset relative logic
2	RW	0x0	hresetn_sdio When high, reset relative logic
1	RW	0x0	hresetn_sdio_biu When high, reset relative logic
0	RO	0x0	reserved

**CRU SOFTRST CON76**

Address: Operational Base + offset (0x0B30)

Bit	Attr	Reset Value	Description
31:16	WO	0x0000	write_enable Write enable for lower 16 bits, each bit is individual. 1'b0: Write access disable 1'b1: Write access enable
15:7	RO	0x000	reserved
6	RW	0x0	resetn_rga3_1_core When high, reset relative logic
5	RW	0x0	aresetn_rga3_1 When high, reset relative logic
4	RW	0x0	hresetn_rga3_1 When high, reset relative logic
3	RW	0x0	aresetn_rga3_biu When high, reset relative logic
2	RW	0x0	hresetn_rga3_biu When high, reset relative logic
1:0	RO	0x0	reserved

**CRU SOFTRST CON77**

Address: Operational Base + offset (0x0B34)



Bit	Attr	Reset Value	Description
31:16	WO	0x0000	write_enable Write enable for lower 16 bits, each bit is individual. 1'b0: Write access disable 1'b1: Write access enable
15:9	RO	0x00	reserved
8	RW	0x0	resetrn_ref_pipe_phy2 When high, reset relative logic
7	RW	0x0	resetrn_ref_pipe_phy1 When high, reset relative logic
6	RW	0x0	resetrn_ref_pipe_phy0 When high, reset relative logic
5:0	RO	0x00	reserved

**CRU GLB CNT TH**

Address: Operational Base + offset (0x0C00)

Bit	Attr	Reset Value	Description
31:10	RO	0x000000	reserved
9:0	RW	0x064	global_reset_counter_threshold global_reset_counter_threshold Global soft reset, wdt reset or tsadc_shut reset asserted time counter threshold. Measured in OSC clock cycles

**CRU GLBRST ST**

Address: Operational Base + offset (0x0C04)

Bit	Attr	Reset Value	Description
31:16	RO	0x0000	reserved
15	RW	0x0	glbrst_wdt4_rst glbrst_wdt4_rst If High, global reset by WDT4.
14	RW	0x0	glbrst_wdt3_rst glbrst_wdt3_rst If High, global reset by WDT3.
13	RW	0x0	glbrst_wdt2_rst glbrst_wdt2_rst If High, global reset by WDT2.
12	RW	0x0	glbrst_wdt1_rst glbrst_wdt1_rst If High, global reset by WDT1.
11	RW	0x0	glbrst_wdt0_rst glbrst_wdt0_rst If High, global reset by WDT0.
10	RW	0x0	glbrst_sgrf_crc_chk_rst glbrst_sgrf_crc_chk_rst If High, global reset by SGRF_CRC check.
9	RW	0x0	glbrst_dsusgrf_crc_chk_rst glbrst_dsusgrf_crc_chk_rst If High, global reset by DSUSGRF_CRC check.
8	RW	0x0	glbrst_pmusgrf_crc_chk_rst glbrst_pmusgrf_crc_chk_rst If High, global reset by PMUSGRF_CRC check.
7	RW	0x0	glbrst_osc_chk_rst glbrst_osc_chk_rst If High, global reset by OSC check.

Bit	Attr	Reset Value	Description
6	RW	0x0	glbrst_wdt_rst glbrst_wdt_rst If High, global reset by WDT. Check CRU_GLBRST_ST[15:11] for detail.
5	RW	0x0	second_glbrst_wdt_rst second_glbrst_wdt_rst If High, second global reset by WDT.
4	RW	0x0	first_glbrst_wdt_rst first_glbrst_wdt_rst If High, first global reset by WDT.
3	RW	0x0	second_glbrst_tsadc_rst second_glbrst_tsadc_rst If High, second global reset by TSADC.
2	RW	0x0	first_glbrst_tsadc_rst first_glbrst_tsadc_rst If High, first global reset by TSADC.
1	RW	0x0	second_glbrst_register_rst second_glbrst_register_rst If High, second global reset by register.
0	RW	0x0	first_glbrst_register_rst first_glbrst_register_rst If High, first global reset by register.

**CRU GLB SRST FST VALUE**

Address: Operational Base + offset (0x0C08)

Bit	Attr	Reset Value	Description
31:16	RO	0x0000	reserved
15:0	RW	0x0000	glb_srcs_first_value GLB_SRST_FST The first global software reset configuration value. Set 0xfdb9 enable.

**CRU GLB SRST SND VALUE**

Address: Operational Base + offset (0x0C0C)

Bit	Attr	Reset Value	Description
31:16	RO	0x0000	reserved
15:0	RW	0x0000	glb_srcs_second_value GLB_SRST_SND The second global software reset configuration value. Set 0xec8 enable.

**CRU GLB RST CON**

Address: Operational Base + offset (0x0C10)

Bit	Attr	Reset Value	Description
31:16	RO	0x0000	reserved
15	RW	0x0	crc_sgrf_chk_trig_glbrst_sel crc_sgrf_chk_trig_glbrst_sel 1'b1: CRC_SGRF check trigger first global reset. 1'b0: CRC_SGRF check trigger second global reset.
14	RW	0x0	crc_dsusgrf_chk_trig_glbrst_sel crc_dsusgrf_chk_trig_glbrst_sel 1'b1: CRC_DSUSGRF check trigger first global reset. 1'b0: CRC_DSUSGRF check trigger second global reset.

Bit	Attr	Reset Value	Description
13	RW	0x0	crc_pmusgrf_chk_trig_glbrst_sel crc_pmusgrf_chk_trig_glbrst_sel 1'b1: CRC_PMUSGRF check trigger first global reset. 1'b0: CRC_PMUSGRF check trigger second global reset.
12	RW	0x0	osc_chk_trig_glbrst_sel osc_chk_trig_glbrst_sel 1'b1: OSC check trigger first global reset. 1'b0: OSC check trigger second global reset.
11	RW	0x0	wdt_trig_glbrst_sel wdt_trig_glbrst_sel 1'b1: WDT trigger first global reset. 1'b0: WDT trigger second global reset.
10	RW	0x0	crc_sgrf_chk_trig_glbrst_en crc_sgrf_chk_trig_glbrst_en 1'b1: Enable CRC_SGRF check trigger global reset. 1'b0: Disable CRC_SGRF check trigger global reset.
9	RW	0x0	crc_dsusgrf_chk_trig_glbrst_en crc_dsusgrf_chk_trig_glbrst_en 1'b1: Enable CRC_DSUSGRF check trigger global reset. 1'b0: Disable CRC_DSUSGRF check trigger global reset.
8	RW	0x0	crc_pmusgrf_chk_trig_glbrst_en crc_pmusgrf_chk_trig_glbrst_en 1'b1: Enable CRC_PMUSGRF check trigger global reset. 1'b0: Disable CRC_PMUSGRF check trigger global reset.
7	RW	0x0	osc_chk_trig_glbrst_en osc_chk_trig_glbrst_en 1'b1: Enable OSC check trigger global reset. 1'b0: Disable OSC check trigger global reset.
6	RW	0x0	wdt_trig_glbrst_en wdt_trig_glbrst_en 1'b1: Enable WDT trigger global reset. 1'b0: Disable WDT trigger global reset.
5	RO	0x0	reserved
4	RW	0x0	wdt_trig_pmu_en wdt_trig_pmu_en 1'b1: Enable wdt reset trigger pmu reset. 1'b0: Disable wdt reset trigger pmu reset.
3	RW	0x0	glbrst_trig_pmu_en glbrst_trig_pmu_en 1'b1: Enable global reset trigger pmu reset. 1'b0: Disable global reset trigger pmu reset.
2	RW	0x0	glbrst_trig_pmu_sel glbrst_trig_pmu_sel 1'b1: First global reset trigger pmu reset. 1'b0: Second global reset trigger pmu reset.
1	RW	0x0	tsadc_trig_glbrst_en tsadc_trig_glbrst_en 1'b1: Enable tsadc trigger global reset. 1'b0: Disable tsadc trigger global reset.
0	RW	0x0	tsadc_trig_glbrst_sel tsadc_trig_glbrst_sel 1'b1: tsadc trigger first global reset. 1'b0: tsadc trigger second global reset.

**CRU SDIO CON0**

Address: Operational Base + offset (0x0C24)

Bit	Attr	Reset Value	Description
31:16	WO	0x0000	write_enable Write enable for lower 16 bits, each bit is individual. 1'b0: Write access disable 1'b1: Write access enable
15:0	RW	0x0000	sdio_con0 Refer to chapter SDIO.

**CRU SDIO CON1**

Address: Operational Base + offset (0x0C28)

Bit	Attr	Reset Value	Description
31:16	WO	0x0000	write_enable Write enable for lower 16 bits, each bit is individual. 1'b0: Write access disable 1'b1: Write access enable
15:0	RW	0x0000	sdio_con1 Refer to chapter SDIO.

**CRU SDMMC CON0**

Address: Operational Base + offset (0x0C30)

Bit	Attr	Reset Value	Description
31:16	WO	0x0000	write_enable Write enable for lower 16 bits, each bit is individual. 1'b0: Write access disable 1'b1: Write access enable
15:0	RW	0x0000	sdmmc_con0 Refer to chapter SDMMC.

**CRU SDMMC CON1**

Address: Operational Base + offset (0x0C34)

Bit	Attr	Reset Value	Description
31:16	WO	0x0000	write_enable Write enable for lower 16 bits, each bit is individual. 1'b0: Write access disable 1'b1: Write access enable
15:0	RW	0x0000	sdmmc_con1 Refer to chapter SDMMC.

**CRU PHYREF ALT\_GATE CON**

Address: Operational Base + offset (0x0C38)

Bit	Attr	Reset Value	Description
31:16	WO	0x0000	write_enable Write enable for lower 16 bits, each bit is individual. 1'b0: Write access disable 1'b1: Write access enable
15:4	RO	0x000	reserved
3	RW	0x0	phy1_ref_alt_clk_m_en phy1_ref_alt_clk_m clock gating control. When high, disable clock.
2	RW	0x0	phy1_ref_alt_clk_p_en phy1_ref_alt_clk_p clock gating control. When high, disable clock.

Bit	Attr	Reset Value	Description
1	RW	0x0	phy0_ref_alt_clk_m_en phy0_ref_alt_clk_m clock gating control. When high, disable clock.
0	RW	0x0	phy0_ref_alt_clk_p_en phy0_ref_alt_clk_p clock gating control. When high, disable clock.

**CRU CM0 GATEMASK CON**

Address: Operational Base + offset (0x0C3C)

Bit	Attr	Reset Value	Description
31:16	WO	0x0000	write_enable Write enable for lower 16 bits, each bit is individual. 1'b0: Write access disable 1'b1: Write access enable
15:6	RO	0x000	reserved
5	RW	0x0	ddrcm0_sclk_cm0s_en ddrcm0_sclk_cm0s clock gating control. When high, disable clock.
4	RW	0x0	ddrcm0_hclk_cm0s_en ddrcm0_hclk_cm0s clock gating control. When high, disable clock.
3	RW	0x0	ddrcm0_dclk_cm0s_en ddrcm0_dclk_cm0s clock gating control. When high, disable clock.
2	RW	0x0	npucm0_sclk_cm0s_en npucm0_sclk_cm0s clock gating control. When high, disable clock.
1	RW	0x0	npucm0_hclk_cm0s_en npucm0_hclk_cm0s clock gating control. When high, disable clock.
0	RW	0x0	npucm0_dclk_cm0s_en npucm0_dclk_cm0s clock gating control. When high, disable clock.

**CRU QCHANNEL CON01**

Address: Operational Base + offset (0x0CA4)

Bit	Attr	Reset Value	Description
31:16	WO	0x0000	write_enable Write enable for lower 16 bits, each bit is individual. 1'b0: Write access disable 1'b1: Write access enable
15:8	RO	0x00	reserved
7	RW	0x0	clk_gpu_qc_gate_en qc_gate_en 1'b1: Enable clk_gpu qchannel gate function. 1'b1: Disable clk_gpu qchannel gate function.
6	RW	0x0	clk_gpu_qc_en qc_en 1'b1: Enable clk_gpu qchannel. 1'b1: Disable clk_gpu qchannel.
5	RW	0x0	aclk_php_gic_its_qc_gate_en qc_gate_en 1'b1: Enable aclk_php_gic_its qchannel gate function. 1'b1: Disable aclk_php_gic_its qchannel gate function.

Bit	Attr	Reset Value	Description
4	RW	0x0	aclk_php_gic_its_qc_en qc_en 1'b1: Enable aclk_php_gic_its qchannel. 1'b1: Disable aclk_php_gic_its qchannel.
3	RW	0x0	aclk_gicadb_gic2core_bus_qc_gate_en qc_gate_en 1'b1: Enable aclk_gicadb_gic2core_bus qchannel gate function. 1'b1: Disable aclk_gicadb_gic2core_bus qchannel gate function.
2	RW	0x0	aclk_gicadb_gic2core_bus_qc_en qc_en 1'b1: Enable aclk_gicadb_gic2core_bus qchannel. 1'b1: Disable aclk_gicadb_gic2core_bus qchannel.
1	RW	0x0	aclk_gic_qc_gate_en qc_gate_en 1'b1: Enable aclk_gic qchannel gate function. 1'b1: Disable aclk_gic qchannel gate function.
0	RW	0x0	aclk_gic_qc_en qc_en 1'b1: Enable aclk_gic qchannel. 1'b1: Disable aclk_gic qchannel.

**CRU SMOTH DIVFREE CON08**

Address: Operational Base + offset (0x0CC0)

Bit	Attr	Reset Value	Description
31:16	RW	0x0000	aclk_m0_gpu_freq_keep freq_keep Cycles to keep every step.
15	RW	0x0	aclk_m0_gpu_bypass bypass Division signal bypass. 1'b1: Bypass. 1'b0: Use Smoothdiv to control clock division.
14	RW	0x0	aclk_m0_gpu_gate_smth_en gate_smth_en If trigger smoothdiv function when clk been gated. 1'b1: Enable. 1'b0: Disable.
13	RW	0x0	aclk_m0_gpu_smdiv_clk_off smdiv_clk_off Turn off smoothdiv module clk. 1'b1: Turn off. 1'b0: Turn on.
12:5	RO	0x00	reserved
4:0	RW	0x00	aclk_m0_gpu_step step Step of div from 0x1f to setting configuration .

**CRU SMOTH DIVFREE CON09**

Address: Operational Base + offset (0x0CC4)

Bit	Attr	Reset Value	Description
31:16	RW	0x0000	aclk_m1_gpu_freq_keep freq_keep Cycles to keep every step.

Bit	Attr	Reset Value	Description
15	RW	0x0	aclk_m1_gpu_bypass bypass Division signal bypass. 1'b1: Bypass. 1'b0: Use Smoothdiv to control clock division.
14	RW	0x0	aclk_m1_gpu_gate_smth_en gate_smth_en If trigger smoothdiv function when clk been gated. 1'b1: Enable. 1'b0: Disable.
13	RW	0x0	aclk_m1_gpu_smdiv_clk_off smdiv_clk_off Turn off smoothdiv module clk. 1'b1: Turn off. 1'b0: Turn on.
12:5	RO	0x00	reserved
4:0	RW	0x00	aclk_m1_gpu_step step Step of div from 0x1f to setting configuration .

**CRU SMOTH DIVFREE CON10**

Address: Operational Base + offset (0x0CC8)

Bit	Attr	Reset Value	Description
31:16	RW	0x0000	aclk_m2_gpu_freq_keep freq_keep Cycles to keep every step.
15	RW	0x0	aclk_m2_gpu_bypass bypass Division signal bypass. 1'b1: Bypass. 1'b0: Use Smoothdiv to control clock division.
14	RW	0x0	aclk_m2_gpu_gate_smth_en gate_smth_en If trigger smoothdiv function when clk been gated. 1'b1: Enable. 1'b0: Disable.
13	RW	0x0	aclk_m2_gpu_smdiv_clk_off smdiv_clk_off Turn off smoothdiv module clk. 1'b1: Turn off. 1'b0: Turn on.
12:5	RO	0x00	reserved
4:0	RW	0x00	aclk_m2_gpu_step step Step of div from 0x1f to setting configuration .

**CRU SMOTH DIVFREE CON11**

Address: Operational Base + offset (0x0CCC)

Bit	Attr	Reset Value	Description
31:16	RW	0x0000	aclk_m3_gpu_freq_keep freq_keep Cycles to keep every step.

Bit	Attr	Reset Value	Description
15	RW	0x0	aclk_m3_gpu_bypass bypass Division signal bypass. 1'b1: Bypass. 1'b0: Use Smoothdiv to control clock division.
14	RW	0x0	aclk_m3_gpu_gate_smth_en gate_smth_en If trigger smoothdiv function when clk been gated. 1'b1: Enable. 1'b0: Disable.
13	RW	0x0	aclk_m3_gpu_smdiv_clk_off smdiv_clk_off Turn off smoothdiv module clk. 1'b1: Turn off. 1'b0: Turn on.
12:5	RO	0x00	reserved
4:0	RW	0x00	aclk_m3_gpu_step step Step of div from 0x1f to setting configuration .

**CRU SMOTH DIVFREE CON12**

Address: Operational Base + offset (0x0CD0)

Bit	Attr	Reset Value	Description
31:16	RW	0x0000	clk_rknn_dsu0_src_freq_keep freq_keep Cycles to keep every step.
15	RW	0x0	clk_rknn_dsu0_src_bypass bypass Division signal bypass. 1'b1: Bypass. 1'b0: Use Smoothdiv to control clock division.
14	RW	0x0	clk_rknn_dsu0_src_gate_smth_en gate_smth_en If trigger smoothdiv function when clk been gated. 1'b1: Enable. 1'b0: Disable.
13	RW	0x0	clk_rknn_dsu0_src_smdiv_clk_off smdiv_clk_off Turn off smoothdiv module clk. 1'b1: Turn off. 1'b0: Turn on.
12:5	RO	0x00	reserved
4:0	RW	0x00	clk_rknn_dsu0_src_step step Step of div from 0x1f to setting configuration .

**CRU AUTOCS ACLK TOP ROOT CON0**

Address: Operational Base + offset (0x0D00)

Bit	Attr	Reset Value	Description
31:16	RW	0x0020	aclk_top_root_wait_th wait_th Wait time threshold, measured by original clk.
15:0	RW	0x0004	aclk_top_root_idle_th idle_th Idle time threshold, measured by original clk.



**CRU AUTOCS ACLK TOP ROOT CON1**

Address: Operational Base + offset (0x0D04)

Bit	Attr	Reset Value	Description
31:16	WO	0x0000	write_enable Write enable for lower 16 bits, each bit is individual. 1'b0: Write access disable 1'b1: Write access enable
15:14	RW	0x0	aclk_top_root_clkssel_cfg clkssel_cfg Auto switch clock selection. 2'b00: Original clk 2'b01: xin_osc0_func_div 2'b10: clk_rtc_32k
13	RW	0x0	aclk_top_root_switch_en switch_en 1'b1: Enable aclk_top_root switched to lower frequency when module is inactive. 1'b0: Disable auto switch function.
12	RW	0x0	aclk_top_root_autocs_en autocs_en 1'b1: Enable aclk_top_root switch to lower frequency. 1'b0: Disable.
11:0	RW	0x000	aclk_top_root_autocs_ctrl autocs_ctrl 12'hfff: Enable aclk_top_root switch to lower frequency. 12'h000: Disable. Others: Reserved.

**CRU AUTOCS ACLK LOW TOP ROOT CON0**

Address: Operational Base + offset (0x0D08)

Bit	Attr	Reset Value	Description
31:16	RW	0x0020	aclk_low_top_root_wait_th wait_th Wait time threshold, measured by original clk.
15:0	RW	0x0004	aclk_low_top_root_idle_th idle_th Idle time threshold, measured by original clk.

**CRU AUTOCS ACLK LOW TOP ROOT CON1**

Address: Operational Base + offset (0x0D0C)

Bit	Attr	Reset Value	Description
31:16	WO	0x0000	write_enable Write enable for lower 16 bits, each bit is individual. 1'b0: Write access disable 1'b1: Write access enable
15:14	RW	0x0	aclk_low_top_root_clkssel_cfg clkssel_cfg Auto switch clock selection. 2'b00: Original clk 2'b01: xin_osc0_func_div 2'b10: clk_rtc_32k

Bit	Attr	Reset Value	Description
13	RW	0x0	aclk_low_top_root_switch_en switch_en 1'b1: Enable aclk_low_top_root switched to lower frequency when module is inactive. 1'b0: Disable auto switch function.
12	RW	0x0	aclk_low_top_root_autocs_en autocs_en 1'b1: Enable aclk_low_top_root switch to lower frequency. 1'b0: Disable.
11:0	RW	0x000	aclk_low_top_root_autocs_ctrl autocs_ctrl 12'hfff: Enable aclk_low_top_root switch to lower frequency. 12'h000: Disable. Others: Reserved.

**CRU AUTOCS ACLK TOP M400 ROOT CON0**

Address: Operational Base + offset (0x0D10)

Bit	Attr	Reset Value	Description
31:16	RW	0x0020	aclk_top_m400_root_wait_th wait_th Wait time threshold, measured by original clk.
15:0	RW	0x0004	aclk_top_m400_root_idle_th idle_th Idle time threshold, measured by original clk.

**CRU AUTOCS ACLK TOP M400 ROOT CON1**

Address: Operational Base + offset (0x0D14)

Bit	Attr	Reset Value	Description
31:16	WO	0x0000	write_enable Write enable for lower 16 bits, each bit is individual. 1'b0: Write access disable 1'b1: Write access enable
15:14	RW	0x0	aclk_top_m400_root_clkssel_cfg clkssel_cfg Auto switch clock selection. 2'b00: Original clk 2'b01: xin_osc0_func_div 2'b10: clk_rtc_32k
13	RW	0x0	aclk_top_m400_root_switch_en switch_en 1'b1: Enable aclk_top_m400_root switched to lower frequency when module is inactive. 1'b0: Disable auto switch function.
12	RW	0x0	aclk_top_m400_root_autocs_en autocs_en 1'b1: Enable aclk_top_m400_root switch to lower frequency. 1'b0: Disable.
11:0	RW	0x000	aclk_top_m400_root_autocs_ctrl autocs_ctrl 12'hfff: Enable aclk_top_m400_root switch to lower frequency. 12'h000: Disable. Others: Reserved.

**CRU AUTOCS ACLK TOP S400 ROOT CON0**

Address: Operational Base + offset (0x0D18)

Bit	Attr	Reset Value	Description
31:16	RW	0x0020	aclk_top_s400_root_wait_th wait_th Wait time threshold, measured by original clk.
15:0	RW	0x0004	aclk_top_s400_root_idle_th idle_th Idle time threshold, measured by original clk.

**CRU AUTOCS ACLK TOP S400 ROOT CON1**

Address: Operational Base + offset (0x0D1C)

Bit	Attr	Reset Value	Description
31:16	WO	0x0000	write_enable Write enable for lower 16 bits, each bit is individual. 1'b0: Write access disable 1'b1: Write access enable
15:14	RW	0x0	aclk_top_s400_root_clkssel_cfg clkssel_cfg Auto switch clock selection. 2'b00: Original clk 2'b01: xin_osc0_func_div 2'b10: clk_rtc_32k
13	RW	0x0	aclk_top_s400_root_switch_en switch_en 1'b1: Enable aclk_top_s400_root switched to lower frequency when module is inactive. 1'b0: Disable auto switch function.
12	RW	0x0	aclk_top_s400_root_autocs_en autocs_en 1'b1: Enable aclk_top_s400_root switch to lower frequency. 1'b0: Disable.
11:0	RW	0x000	aclk_top_s400_root_autocs_ctrl autocs_ctrl 12'hfff: Enable aclk_top_s400_root switch to lower frequency. 12'h000: Disable. Others: Reserved.

**CRU AUTOCS ACLK BUS ROOT CON0**

Address: Operational Base + offset (0x0D20)

Bit	Attr	Reset Value	Description
31:16	RW	0x0020	aclk_bus_root_wait_th wait_th Wait time threshold, measured by original clk.
15:0	RW	0x0004	aclk_bus_root_idle_th idle_th Idle time threshold, measured by original clk.

**CRU AUTOCS ACLK BUS ROOT CON1**

Address: Operational Base + offset (0x0D24)

Bit	Attr	Reset Value	Description
31:16	WO	0x0000	write_enable Write enable for lower 16 bits, each bit is individual. 1'b0: Write access disable 1'b1: Write access enable

Bit	Attr	Reset Value	Description
15:14	RW	0x0	aclk_bus_root_clkssel_cfg clkssel_cfg Auto switch clock selection. 2'b00: Original clk 2'b01: xin_osc0_func_div 2'b10: clk_rtc_32k
13	RW	0x0	aclk_bus_root_switch_en switch_en 1'b1: Enable aclk_bus_root switched to lower frequency when module is inactive. 1'b0: Disable auto switch function.
12	RW	0x0	aclk_bus_root_autocs_en autocs_en 1'b1: Enable aclk_bus_root switch to lower frequency. 1'b0: Disable.
11:0	RW	0x000	aclk_bus_root_autocs_ctrl autocs_ctrl 12'hfff: Enable aclk_bus_root switch to lower frequency. 12'h000: Disable. Others: Reserved.

**CRU AUTOCS ACLK ISP1 ROOT CON0**

Address: Operational Base + offset (0x0D28)

Bit	Attr	Reset Value	Description
31:16	RW	0x0020	aclk_isp1_root_wait_th wait_th Wait time threshold, measured by original clk.
15:0	RW	0x0004	aclk_isp1_root_idle_th idle_th Idle time threshold, measured by original clk.

**CRU AUTOCS ACLK ISP1 ROOT CON1**

Address: Operational Base + offset (0x0D2C)

Bit	Attr	Reset Value	Description
31:16	WO	0x0000	write_enable Write enable for lower 16 bits, each bit is individual. 1'b0: Write access disable 1'b1: Write access enable
15:14	RW	0x0	aclk_isp1_root_clkssel_cfg clkssel_cfg Auto switch clock selection. 2'b00: Original clk 2'b01: xin_osc0_func_div 2'b10: clk_rtc_32k
13	RW	0x0	aclk_isp1_root_switch_en switch_en 1'b1: Enable aclk_isp1_root switched to lower frequency when module is inactive. 1'b0: Disable auto switch function.
12	RW	0x0	aclk_isp1_root_autocs_en autocs_en 1'b1: Enable aclk_isp1_root switch to lower frequency. 1'b0: Disable.

Bit	Attr	Reset Value	Description
11:0	RW	0x000	aclk_isp1_root_autocs_ctrl autocs_ctrl 12'hfff: Enable aclk_isp1_root switch to lower frequency. 12'h000: Disable. Others: Reserved.

**CRU AUTOCS CLK RKNN DSU0 CON0**

Address: Operational Base + offset (0x0D30)

Bit	Attr	Reset Value	Description
31:16	RW	0x0020	clk_rknn_dsu0_wait_th wait_th Wait time threshold, measured by original clk.
15:0	RW	0x0004	clk_rknn_dsu0_idle_th idle_th Idle time threshold, measured by original clk.

**CRU AUTOCS CLK RKNN DSU0 CON1**

Address: Operational Base + offset (0x0D34)

Bit	Attr	Reset Value	Description
31:16	WO	0x0000	write_enable Write enable for lower 16 bits, each bit is individual. 1'b0: Write access disable 1'b1: Write access enable
15:14	RW	0x0	clk_rknn_dsu0_clkssel_cfg clkssel_cfg Auto switch clock selection. 2'b00: Original clk 2'b01: xin_osc0_func_div 2'b10: clk_rtc_32k
13	RW	0x0	clk_rknn_dsu0_switch_en switch_en 1'b1: Enable clk_rknn_dsu0 switched to lower frequency when module is inactive. 1'b0: Disable auto switch function.
12	RW	0x0	clk_rknn_dsu0_autocs_en autocs_en 1'b1: Enable clk_rknn_dsu0 switch to lower frequency. 1'b0: Disable.
11:0	RW	0x000	clk_rknn_dsu0_autocs_ctrl autocs_ctrl 12'hfff: Enable clk_rknn_dsu0 switch to lower frequency. 12'h000: Disable. Others: Reserved.

**CRU AUTOCS HCLK RKNN ROOT CON0**

Address: Operational Base + offset (0x0D38)

Bit	Attr	Reset Value	Description
31:16	RW	0x0020	hclk_rknn_root_wait_th wait_th Wait time threshold, measured by original clk.
15:0	RW	0x0004	hclk_rknn_root_idle_th idle_th Idle time threshold, measured by original clk.

**CRU AUTOCS HCLK RKNN ROOT CON1**

Address: Operational Base + offset (0x0D3C)

Bit	Attr	Reset Value	Description
31:16	WO	0x0000	write_enable Write enable for lower 16 bits, each bit is individual. 1'b0: Write access disable 1'b1: Write access enable
15:14	RW	0x0	hclk_rknn_root_clkselect_cfg clkselect_cfg Auto switch clock selection. 2'b00: Original clk 2'b01: xin_osc0_func_div 2'b10: clk_rtc_32k
13	RW	0x0	hclk_rknn_root_switch_en switch_en 1'b1: Enable hclk_rknn_root switched to lower frequency when module is inactive. 1'b0: Disable auto switch function.
12	RW	0x0	hclk_rknn_root_autocselect_en autocselect_en 1'b1: Enable hclk_rknn_root switch to lower frequency. 1'b0: Disable.
11:0	RW	0x000	hclk_rknn_root_autocselect_ctrl autocselect_ctrl 12'hfff: Enable hclk_rknn_root switch to lower frequency. 12'h000: Disable. Others: Reserved.

**CRU AUTOCS ACLK NVM ROOT CON0**

Address: Operational Base + offset (0x0D40)

Bit	Attr	Reset Value	Description
31:16	RW	0x0020	aclk_nvm_root_wait_th wait_th Wait time threshold, measured by original clk.
15:0	RW	0x0004	aclk_nvm_root_idle_th idle_th Idle time threshold, measured by original clk.

**CRU AUTOCS ACLK NVM ROOT CON1**

Address: Operational Base + offset (0x0D44)

Bit	Attr	Reset Value	Description
31:16	WO	0x0000	write_enable Write enable for lower 16 bits, each bit is individual. 1'b0: Write access disable 1'b1: Write access enable
15:14	RW	0x0	aclk_nvm_root_clkselect_cfg clkselect_cfg Auto switch clock selection. 2'b00: Original clk 2'b01: xin_osc0_func_div 2'b10: clk_rtc_32k
13	RW	0x0	aclk_nvm_root_switch_en switch_en 1'b1: Enable aclk_nvm_root switched to lower frequency when module is inactive. 1'b0: Disable auto switch function.

Bit	Attr	Reset Value	Description
12	RW	0x0	aclk_nvm_root_autocs_en autocs_en 1'b1: Enable aclk_nvm_root switch to lower frequency. 1'b0: Disable.
11:0	RW	0x000	aclk_nvm_root_autocs_ctrl autocs_ctrl 12'hfff: Enable aclk_nvm_root switch to lower frequency. 12'h000: Disable. Others: Reserved.

**CRU AUTOCS ACLK PHP ROOT CON0**

Address: Operational Base + offset (0x0D48)

Bit	Attr	Reset Value	Description
31:16	RW	0x0020	aclk_php_root_wait_th wait_th Wait time threshold, measured by original clk.
15:0	RW	0x0004	aclk_php_root_idle_th idle_th Idle time threshold, measured by original clk.

**CRU AUTOCS ACLK PHP ROOT CON1**

Address: Operational Base + offset (0x0D4C)

Bit	Attr	Reset Value	Description
31:16	WO	0x0000	write_enable Write enable for lower 16 bits, each bit is individual. 1'b0: Write access disable 1'b1: Write access enable
15:14	RW	0x0	aclk_php_root_clkssel_cfg clkssel_cfg Auto switch clock selection. 2'b00: Original clk 2'b01: xin_osc0_func_div 2'b10: clk_rtc_32k
13	RW	0x0	aclk_php_root_switch_en switch_en 1'b1: Enable aclk_php_root switched to lower frequency when module is inactive. 1'b0: Disable auto switch function.
12	RW	0x0	aclk_php_root_autocs_en autocs_en 1'b1: Enable aclk_php_root switch to lower frequency. 1'b0: Disable.
11:0	RW	0x000	aclk_php_root_autocs_ctrl autocs_ctrl 12'hfff: Enable aclk_php_root switch to lower frequency. 12'h000: Disable. Others: Reserved.

**CRU AUTOCS ACLK RKVDEC0 ROOT CON0**

Address: Operational Base + offset (0x0D50)

Bit	Attr	Reset Value	Description
31:16	RW	0x0020	aclk_rkvdec0_root_wait_th wait_th Wait time threshold, measured by original clk.

Bit	Attr	Reset Value	Description
15:0	RW	0x0004	aclk_rkvdec0_root_idle_th idle_th Idle time threshold, measured by original clk.

**CRU AUTOCS ACLK RKVDEC0 ROOT CON1**

Address: Operational Base + offset (0x0D54)

Bit	Attr	Reset Value	Description
31:16	WO	0x0000	write_enable Write enable for lower 16 bits, each bit is individual. 1'b0: Write access disable 1'b1: Write access enable
15:14	RW	0x0	aclk_rkvdec0_root_clkssel_cfg clkssel_cfg Auto switch clock selection. 2'b00: Original clk 2'b01: xin_osc0_func_div 2'b10: clk_rtc_32k
13	RW	0x0	aclk_rkvdec0_root_switch_en switch_en 1'b1: Enable aclk_rkvdec0_root switched to lower frequency when module is inactive. 1'b0: Disable auto switch function.
12	RW	0x0	aclk_rkvdec0_root_autocs_en autocs_en 1'b1: Enable aclk_rkvdec0_root switch to lower frequency. 1'b0: Disable.
11:0	RW	0x000	aclk_rkvdec0_root_autocs_ctrl autocs_ctrl 12'hfff: Enable aclk_rkvdec0_root switch to lower frequency. 12'h000: Disable. Others: Reserved.

**CRU AUTOCS ACLK RKVDEC CCU CON0**

Address: Operational Base + offset (0x0D58)

Bit	Attr	Reset Value	Description
31:16	RW	0x0020	aclk_rkvdec_ccu_wait_th wait_th Wait time threshold, measured by original clk.
15:0	RW	0x0004	aclk_rkvdec_ccu_idle_th idle_th Idle time threshold, measured by original clk.

**CRU AUTOCS ACLK RKVDEC CCU CON1**

Address: Operational Base + offset (0x0D5C)

Bit	Attr	Reset Value	Description
31:16	WO	0x0000	write_enable Write enable for lower 16 bits, each bit is individual. 1'b0: Write access disable 1'b1: Write access enable
15:14	RW	0x0	aclk_rkvdec_ccu_clkssel_cfg clkssel_cfg Auto switch clock selection. 2'b00: Original clk 2'b01: xin_osc0_func_div 2'b10: clk_rtc_32k



Bit	Attr	Reset Value	Description
13	RW	0x0	aclk_rkvdec_ccu_switch_en switch_en 1'b1: Enable aclk_rkvdec_ccu switched to lower frequency when module is inactive. 1'b0: Disable auto switch function.
12	RW	0x0	aclk_rkvdec_ccu_autocs_en autocs_en 1'b1: Enable aclk_rkvdec_ccu switch to lower frequency. 1'b0: Disable.
11:0	RW	0x000	aclk_rkvdec_ccu_autocs_ctrl autocs_ctrl 12'hfff: Enable aclk_rkvdec_ccu switch to lower frequency. 12'h000: Disable. Others: Reserved.

**CRU AUTOCS ACLK RKVDEC1 ROOT CON0**

Address: Operational Base + offset (0x0D60)

Bit	Attr	Reset Value	Description
31:16	RW	0x0020	aclk_rkvdec1_root_wait_th wait_th Wait time threshold, measured by original clk.
15:0	RW	0x0004	aclk_rkvdec1_root_idle_th idle_th Idle time threshold, measured by original clk.

**CRU AUTOCS ACLK RKVDEC1 ROOT CON1**

Address: Operational Base + offset (0x0D64)

Bit	Attr	Reset Value	Description
31:16	WO	0x0000	write_enable Write enable for lower 16 bits, each bit is individual. 1'b0: Write access disable 1'b1: Write access enable
15:14	RW	0x0	aclk_rkvdec1_root_clk_sel_cfg clk_sel_cfg Auto switch clock selection. 2'b00: Original clk 2'b01: xin_osc0_func_div 2'b10: clk_rtc_32k
13	RW	0x0	aclk_rkvdec1_root_switch_en switch_en 1'b1: Enable aclk_rkvdec1_root switched to lower frequency when module is inactive. 1'b0: Disable auto switch function.
12	RW	0x0	aclk_rkvdec1_root_autocs_en autocs_en 1'b1: Enable aclk_rkvdec1_root switch to lower frequency. 1'b0: Disable.
11:0	RW	0x000	aclk_rkvdec1_root_autocs_ctrl autocs_ctrl 12'hfff: Enable aclk_rkvdec1_root switch to lower frequency. 12'h000: Disable. Others: Reserved.

**CRU AUTOCS ACLK USB ROOT CON0**

Address: Operational Base + offset (0x0D68)

Bit	Attr	Reset Value	Description
31:16	RW	0x0020	aclk_usb_root_wait_th wait_th Wait time threshold, measured by original clk.
15:0	RW	0x0004	aclk_usb_root_idle_th idle_th Idle time threshold, measured by original clk.

**CRU AUTOCS ACLK USB ROOT CON1**

Address: Operational Base + offset (0x0D6C)

Bit	Attr	Reset Value	Description
31:16	WO	0x0000	write_enable Write enable for lower 16 bits, each bit is individual. 1'b0: Write access disable 1'b1: Write access enable
15:14	RW	0x0	aclk_usb_root_clkssel_cfg clkssel_cfg Auto switch clock selection. 2'b00: Original clk 2'b01: xin_osc0_func_div 2'b10: clk_rtc_32k
13	RW	0x0	aclk_usb_root_switch_en switch_en 1'b1: Enable aclk_usb_root switched to lower frequency when module is inactive. 1'b0: Disable auto switch function.
12	RW	0x0	aclk_usb_root_autocs_en autocs_en 1'b1: Enable aclk_usb_root switch to lower frequency. 1'b0: Disable.
11:0	RW	0x000	aclk_usb_root_autocs_ctrl autocs_ctrl 12'hfff: Enable aclk_usb_root switch to lower frequency. 12'h000: Disable. Others: Reserved.

**CRU AUTOCS ACLK VDPU ROOT CON0**

Address: Operational Base + offset (0x0D70)

Bit	Attr	Reset Value	Description
31:16	RW	0x0020	aclk_vdpu_root_wait_th wait_th Wait time threshold, measured by original clk.
15:0	RW	0x0004	aclk_vdpu_root_idle_th idle_th Idle time threshold, measured by original clk.

**CRU AUTOCS ACLK VDPU ROOT CON1**

Address: Operational Base + offset (0x0D74)

Bit	Attr	Reset Value	Description
31:16	WO	0x0000	write_enable Write enable for lower 16 bits, each bit is individual. 1'b0: Write access disable 1'b1: Write access enable

Bit	Attr	Reset Value	Description
15:14	RW	0x0	aclk_vdpu_root_clkssel_cfg clkssel_cfg Auto switch clock selection. 2'b00: Original clk 2'b01: xin_osc0_func_div 2'b10: clk_rtc_32k
13	RW	0x0	aclk_vdpu_root_switch_en switch_en 1'b1: Enable aclk_vdpu_root switched to lower frequency when module is inactive. 1'b0: Disable auto switch function.
12	RW	0x0	aclk_vdpu_root_autocs_en autocs_en 1'b1: Enable aclk_vdpu_root switch to lower frequency. 1'b0: Disable.
11:0	RW	0x000	aclk_vdpu_root_autocs_ctrl autocs_ctrl 12'hfff: Enable aclk_vdpu_root switch to lower frequency. 12'h000: Disable. Others: Reserved.

**CRU AUTOCS ACLK VDPUI LOW ROOT CON0**

Address: Operational Base + offset (0x0D78)

Bit	Attr	Reset Value	Description
31:16	RW	0x0020	aclk_vdpu_low_root_wait_th wait_th Wait time threshold, measured by original clk.
15:0	RW	0x0004	aclk_vdpu_low_root_idle_th idle_th Idle time threshold, measured by original clk.

**CRU AUTOCS ACLK VDPUI LOW ROOT CON1**

Address: Operational Base + offset (0x0D7C)

Bit	Attr	Reset Value	Description
31:16	WO	0x0000	write_enable Write enable for lower 16 bits, each bit is individual. 1'b0: Write access disable 1'b1: Write access enable
15:14	RW	0x0	aclk_vdpu_low_root_clkssel_cfg clkssel_cfg Auto switch clock selection. 2'b00: Original clk 2'b01: xin_osc0_func_div 2'b10: clk_rtc_32k
13	RW	0x0	aclk_vdpu_low_root_switch_en switch_en 1'b1: Enable aclk_vdpu_low_root switched to lower frequency when module is inactive. 1'b0: Disable auto switch function.
12	RW	0x0	aclk_vdpu_low_root_autocs_en autocs_en 1'b1: Enable aclk_vdpu_low_root switch to lower frequency. 1'b0: Disable.

Bit	Attr	Reset Value	Description
11:0	RW	0x000	aclk_vdpu_low_root_autocs_ctrl autocs_ctrl 12'hfff: Enable aclk_vdpu_low_root switch to lower frequency. 12'h000: Disable. Others: Reserved.

**CRU AUTOCS ACLK JPEG DECODER ROOT CON0**

Address: Operational Base + offset (0x0D80)

Bit	Attr	Reset Value	Description
31:16	RW	0x0020	aclk_jpeg_decoder_root_wait_th wait_th Wait time threshold, measured by original clk.
15:0	RW	0x0004	aclk_jpeg_decoder_root_idle_th idle_th Idle time threshold, measured by original clk.

**CRU AUTOCS ACLK JPEG DECODER ROOT CON1**

Address: Operational Base + offset (0x0D84)

Bit	Attr	Reset Value	Description
31:16	WO	0x0000	write_enable Write enable for lower 16 bits, each bit is individual. 1'b0: Write access disable 1'b1: Write access enable
15:14	RW	0x0	aclk_jpeg_decoder_root_clkssel_cfg clkssel_cfg Auto switch clock selection. 2'b00: Original clk 2'b01: xin_osc0_func_div 2'b10: clk_rtc_32k
13	RW	0x0	aclk_jpeg_decoder_root_switch_en switch_en 1'b1: Enable aclk_jpeg_decoder_root switched to lower frequency when module is inactive. 1'b0: Disable auto switch function.
12	RW	0x0	aclk_jpeg_decoder_root_autocs_en autocs_en 1'b1: Enable aclk_jpeg_decoder_root switch to lower frequency. 1'b0: Disable.
11:0	RW	0x000	aclk_jpeg_decoder_root_autocs_ctrl autocs_ctrl 12'hfff: Enable aclk_jpeg_decoder_root switch to lower frequency. 12'h000: Disable. Others: Reserved.

**CRU AUTOCS ACLK RKVENC0 ROOT CON0**

Address: Operational Base + offset (0x0D88)

Bit	Attr	Reset Value	Description
31:16	RW	0x0020	aclk_rkvenc0_root_wait_th wait_th Wait time threshold, measured by original clk.
15:0	RW	0x0004	aclk_rkvenc0_root_idle_th idle_th Idle time threshold, measured by original clk.

**CRU AUTOCS ACLK RKVENC0 ROOT CON1**

Address: Operational Base + offset (0x0D8C)

Bit	Attr	Reset Value	Description
31:16	WO	0x0000	write_enable Write enable for lower 16 bits, each bit is individual. 1'b0: Write access disable 1'b1: Write access enable
15:14	RW	0x0	aclk_rkvenc0_root_clkssel_cfg clkssel_cfg Auto switch clock selection. 2'b00: Original clk 2'b01: xin_osc0_func_div 2'b10: clk_rtc_32k
13	RW	0x0	aclk_rkvenc0_root_switch_en switch_en 1'b1: Enable aclk_rkvenc0_root switched to lower frequency when module is inactive. 1'b0: Disable auto switch function.
12	RW	0x0	aclk_rkvenc0_root_autocs_en autocs_en 1'b1: Enable aclk_rkvenc0_root switch to lower frequency. 1'b0: Disable.
11:0	RW	0x000	aclk_rkvenc0_root_autocs_ctrl autocs_ctrl 12'hfff: Enable aclk_rkvenc0_root switch to lower frequency. 12'h000: Disable. Others: Reserved.

**CRU AUTOCS ACLK RKVENC1 ROOT CON0**

Address: Operational Base + offset (0x0D90)

Bit	Attr	Reset Value	Description
31:16	RW	0x0020	aclk_rkvenc1_root_wait_th wait_th Wait time threshold, measured by original clk.
15:0	RW	0x0004	aclk_rkvenc1_root_idle_th idle_th Idle time threshold, measured by original clk.

**CRU AUTOCS ACLK RKVENC1 ROOT CON1**

Address: Operational Base + offset (0x0D94)

Bit	Attr	Reset Value	Description
31:16	WO	0x0000	write_enable Write enable for lower 16 bits, each bit is individual. 1'b0: Write access disable 1'b1: Write access enable
15:14	RW	0x0	aclk_rkvenc1_root_clkssel_cfg clkssel_cfg Auto switch clock selection. 2'b00: Original clk 2'b01: xin_osc0_func_div 2'b10: clk_rtc_32k
13	RW	0x0	aclk_rkvenc1_root_switch_en switch_en 1'b1: Enable aclk_rkvenc1_root switched to lower frequency when module is inactive. 1'b0: Disable auto switch function.

Bit	Attr	Reset Value	Description
12	RW	0x0	aclk_rkvenc1_root_autocs_en autocs_en 1'b1: Enable aclk_rkvenc1_root switch to lower frequency. 1'b0: Disable.
11:0	RW	0x000	aclk_rkvenc1_root_autocs_ctrl autocs_ctrl 12'hfff: Enable aclk_rkvenc1_root switch to lower frequency. 12'h000: Disable. Others: Reserved.

**CRU AUTOCS ACLK VI ROOT CON0**

Address: Operational Base + offset (0x0D98)

Bit	Attr	Reset Value	Description
31:16	RW	0x0020	aclk_vi_root_wait_th wait_th Wait time threshold, measured by original clk.
15:0	RW	0x0004	aclk_vi_root_idle_th idle_th Idle time threshold, measured by original clk.

**CRU AUTOCS ACLK VI ROOT CON1**

Address: Operational Base + offset (0x0D9C)

Bit	Attr	Reset Value	Description
31:16	WO	0x0000	write_enable Write enable for lower 16 bits, each bit is individual. 1'b0: Write access disable 1'b1: Write access enable
15:14	RW	0x0	aclk_vi_root_clkssel_cfg clkssel_cfg Auto switch clock selection. 2'b00: Original clk 2'b01: xin_osc0_func_div 2'b10: clk_rtc_32k
13	RW	0x0	aclk_vi_root_switch_en switch_en 1'b1: Enable aclk_vi_root switched to lower frequency when module is inactive. 1'b0: Disable auto switch function.
12	RW	0x0	aclk_vi_root_autocs_en autocs_en 1'b1: Enable aclk_vi_root switch to lower frequency. 1'b0: Disable.
11:0	RW	0x000	aclk_vi_root_autocs_ctrl autocs_ctrl 12'hfff: Enable aclk_vi_root switch to lower frequency. 12'h000: Disable. Others: Reserved.

**CRU AUTOCS ACLK VOP ROOT CON0**

Address: Operational Base + offset (0x0DA0)

Bit	Attr	Reset Value	Description
31:16	RW	0x0020	aclk_vop_root_wait_th wait_th Wait time threshold, measured by original clk.

Bit	Attr	Reset Value	Description
15:0	RW	0x0004	aclk_vop_root_idle_th idle_th Idle time threshold, measured by original clk.

**CRU AUTOCS ACLK VOP ROOT CON1**

Address: Operational Base + offset (0x0DA4)

Bit	Attr	Reset Value	Description
31:16	WO	0x0000	write_enable Write enable for lower 16 bits, each bit is individual. 1'b0: Write access disable 1'b1: Write access enable
15:14	RW	0x0	aclk_vop_root_clkssel_cfg clkssel_cfg Auto switch clock selection. 2'b00: Original clk 2'b01: xin_osc0_func_div 2'b10: clk_rtc_32k
13	RW	0x0	aclk_vop_root_switch_en switch_en 1'b1: Enable aclk_vop_root switched to lower frequency when module is inactive. 1'b0: Disable auto switch function.
12	RW	0x0	aclk_vop_root_autocs_en autocs_en 1'b1: Enable aclk_vop_root switch to lower frequency. 1'b0: Disable.
11:0	RW	0x000	aclk_vop_root_autocs_ctrl autocs_ctrl 12'hfff: Enable aclk_vop_root switch to lower frequency. 12'h000: Disable. Others: Reserved.

**CRU AUTOCS ACLK VOO ROOT CON0**

Address: Operational Base + offset (0x0DA8)

Bit	Attr	Reset Value	Description
31:16	RW	0x0020	aclk_vo0_root_wait_th wait_th Wait time threshold, measured by original clk.
15:0	RW	0x0004	aclk_vo0_root_idle_th idle_th Idle time threshold, measured by original clk.

**CRU AUTOCS ACLK VOO ROOT CON1**

Address: Operational Base + offset (0x0DAC)

Bit	Attr	Reset Value	Description
31:16	WO	0x0000	write_enable Write enable for lower 16 bits, each bit is individual. 1'b0: Write access disable 1'b1: Write access enable
15:14	RW	0x0	aclk_vo0_root_clkssel_cfg clkssel_cfg Auto switch clock selection. 2'b00: Original clk 2'b01: xin_osc0_func_div 2'b10: clk_rtc_32k

Bit	Attr	Reset Value	Description
13	RW	0x0	aclk_vo0_root_switch_en switch_en 1'b1: Enable aclk_vo0_root switched to lower frequency when module is inactive. 1'b0: Disable auto switch function.
12	RW	0x0	aclk_vo0_root_autocs_en autocs_en 1'b1: Enable aclk_vo0_root switch to lower frequency. 1'b0: Disable.
11:0	RW	0x000	aclk_vo0_root_autocs_ctrl autocs_ctrl 12'hfff: Enable aclk_vo0_root switch to lower frequency. 12'h000: Disable. Others: Reserved.

**CRU AUTOCS ACLK HDCP1 ROOT CON0**

Address: Operational Base + offset (0x0DB0)

Bit	Attr	Reset Value	Description
31:16	RW	0x0020	aclk_hdc1_root_wait_th wait_th Wait time threshold, measured by original clk.
15:0	RW	0x0004	aclk_hdc1_root_idle_th idle_th Idle time threshold, measured by original clk.

**CRU AUTOCS ACLK HDCP1 ROOT CON1**

Address: Operational Base + offset (0x0DB4)

Bit	Attr	Reset Value	Description
31:16	WO	0x0000	write_enable Write enable for lower 16 bits, each bit is individual. 1'b0: Write access disable 1'b1: Write access enable
15:14	RW	0x0	aclk_hdc1_root_clkssel_cfg clkssel_cfg Auto switch clock selection. 2'b00: Original clk 2'b01: xin_osc0_func_div 2'b10: clk_rtc_32k
13	RW	0x0	aclk_hdc1_root_switch_en switch_en 1'b1: Enable aclk_hdc1_root switched to lower frequency when module is inactive. 1'b0: Disable auto switch function.
12	RW	0x0	aclk_hdc1_root_autocs_en autocs_en 1'b1: Enable aclk_hdc1_root switch to lower frequency. 1'b0: Disable.
11:0	RW	0x000	aclk_hdc1_root_autocs_ctrl autocs_ctrl 12'hfff: Enable aclk_hdc1_root switch to lower frequency. 12'h000: Disable. Others: Reserved.

**CRU AUTOCS ACLK HDMIRX ROOT CON0**

Address: Operational Base + offset (0x0DB8)



Bit	Attr	Reset Value	Description
31:16	RW	0x0020	aclk_hdmirx_root_wait_th wait_th Wait time threshold, measured by original clk.
15:0	RW	0x0004	aclk_hdmirx_root_idle_th idle_th Idle time threshold, measured by original clk.

**CRU AUTOCS ACLK HDMIRX ROOT CON1**

Address: Operational Base + offset (0x0DBC)

Bit	Attr	Reset Value	Description
31:16	WO	0x0000	write_enable Write enable for lower 16 bits, each bit is individual. 1'b0: Write access disable 1'b1: Write access enable
15:14	RW	0x0	aclk_hdmirx_root_clkssel_cfg clkssel_cfg Auto switch clock selection. 2'b00: Original clk 2'b01: xin_osc0_func_div 2'b10: clk_rtc_32k
13	RW	0x0	aclk_hdmirx_root_switch_en switch_en 1'b1: Enable aclk_hdmirx_root switched to lower frequency when module is inactive. 1'b0: Disable auto switch function.
12	RW	0x0	aclk_hdmirx_root_autocs_en autocs_en 1'b1: Enable aclk_hdmirx_root switch to lower frequency. 1'b0: Disable.
11:0	RW	0x000	aclk_hdmirx_root_autocs_ctrl autocs_ctrl 12'hfff: Enable aclk_hdmirx_root switch to lower frequency. 12'h000: Disable. Others: Reserved.

**CRU AUTOCS CLK GPU COREGROUP CON0**

Address: Operational Base + offset (0x0DC0)

Bit	Attr	Reset Value	Description
31:16	RW	0x0020	clk_gpu_coregroup_wait_th wait_th Wait time threshold, measured by original clk.
15:0	RW	0x0004	clk_gpu_coregroup_idle_th idle_th Idle time threshold, measured by original clk.

**CRU AUTOCS CLK GPU COREGROUP CON1**

Address: Operational Base + offset (0x0DC4)

Bit	Attr	Reset Value	Description
31:16	WO	0x0000	write_enable Write enable for lower 16 bits, each bit is individual. 1'b0: Write access disable 1'b1: Write access enable

Bit	Attr	Reset Value	Description
15:14	RW	0x0	clk_gpu_coregroup_clkssel_cfg clkssel_cfg Auto switch clock selection. 2'b00: Original clk 2'b01: xin_osc0_func_div 2'b10: clk_rtc_32k
13	RW	0x0	clk_gpu_coregroup_switch_en switch_en 1'b1: Enable clk_gpu_coregroup switched to lower frequency when module is inactive. 1'b0: Disable auto switch function.
12	RW	0x0	clk_gpu_coregroup_autocs_en autocs_en 1'b1: Enable clk_gpu_coregroup switch to lower frequency. 1'b0: Disable.
11:0	RW	0x000	clk_gpu_coregroup_autocs_ctrl autocs_ctrl 12'hfff: Enable clk_gpu_coregroup switch to lower frequency. 12'h000: Disable. Others: Reserved.

**CRU AUTOCS ACLK AV1 ROOT CON0**

Address: Operational Base + offset (0x0DE0)

Bit	Attr	Reset Value	Description
31:16	RW	0x0020	aclk_av1_root_wait_th wait_th Wait time threshold, measured by original clk.
15:0	RW	0x0004	aclk_av1_root_idle_th idle_th Idle time threshold, measured by original clk.

**CRU AUTOCS ACLK AV1 ROOT CON1**

Address: Operational Base + offset (0x0DE4)

Bit	Attr	Reset Value	Description
31:16	WO	0x0000	write_enable Write enable for lower 16 bits, each bit is individual. 1'b0: Write access disable 1'b1: Write access enable
15:14	RW	0x0	aclk_av1_root_clkssel_cfg clkssel_cfg Auto switch clock selection. 2'b00: Original clk 2'b01: xin_osc0_func_div 2'b10: clk_rtc_32k
13	RW	0x0	aclk_av1_root_switch_en switch_en 1'b1: Enable aclk_av1_root switched to lower frequency when module is inactive. 1'b0: Disable auto switch function.
12	RW	0x0	aclk_av1_root_autocs_en autocs_en 1'b1: Enable aclk_av1_root switch to lower frequency. 1'b0: Disable.

Bit	Attr	Reset Value	Description
11:0	RW	0x000	aclk_av1_root_autocs_ctrl autocs_ctrl 12'hfff: Enable aclk_av1_root switch to lower frequency. 12'h000: Disable. Others: Reserved.

**CRU AUTOCS ACLK CENTER ROOT CON0**

Address: Operational Base + offset (0x0DE8)

Bit	Attr	Reset Value	Description
31:16	RW	0x0020	aclk_center_root_wait_th wait_th Wait time threshold, measured by original clk.
15:0	RW	0x0004	aclk_center_root_idle_th idle_th Idle time threshold, measured by original clk.

**CRU AUTOCS ACLK CENTER ROOT CON1**

Address: Operational Base + offset (0x0DEC)

Bit	Attr	Reset Value	Description
31:16	WO	0x0000	write_enable Write enable for lower 16 bits, each bit is individual. 1'b0: Write access disable 1'b1: Write access enable
15:14	RW	0x0	aclk_center_root_clkssel_cfg clkssel_cfg Auto switch clock selection. 2'b00: Original clk 2'b01: xin_osc0_func_div 2'b10: clk_rtc_32k
13	RW	0x0	aclk_center_root_switch_en switch_en 1'b1: Enable aclk_center_root switched to lower frequency when module is inactive. 1'b0: Disable auto switch function.
12	RW	0x0	aclk_center_root_autocs_en autocs_en 1'b1: Enable aclk_center_root switch to lower frequency. 1'b0: Disable.
11:0	RW	0x000	aclk_center_root_autocs_ctrl autocs_ctrl 12'hfff: Enable aclk_center_root switch to lower frequency. 12'h000: Disable. Others: Reserved.

**CRU AUTOCS ACLK CENTER LOW ROOT CON0**

Address: Operational Base + offset (0x0DF0)

Bit	Attr	Reset Value	Description
31:16	RW	0x0020	aclk_center_low_root_wait_th wait_th Wait time threshold, measured by original clk.
15:0	RW	0x0004	aclk_center_low_root_idle_th idle_th Idle time threshold, measured by original clk.

**CRU AUTOCS ACLK CENTER LOW ROOT CON1**

Address: Operational Base + offset (0x0DF4)

Bit	Attr	Reset Value	Description
31:16	WO	0x0000	write_enable Write enable for lower 16 bits, each bit is individual. 1'b0: Write access disable 1'b1: Write access enable
15:14	RW	0x0	aclk_center_low_root_clkssel_cfg clkssel_cfg Auto switch clock selection. 2'b00: Original clk 2'b01: xin_osc0_func_div 2'b10: clk_rtc_32k
13	RW	0x0	aclk_center_low_root_switch_en switch_en 1'b1: Enable aclk_center_low_root switched to lower frequency when module is inactive. 1'b0: Disable auto switch function.
12	RW	0x0	aclk_center_low_root_autocs_en autocs_en 1'b1: Enable aclk_center_low_root switch to lower frequency. 1'b0: Disable.
11:0	RW	0x000	aclk_center_low_root_autocs_ctrl autocs_ctrl 12'hfff: Enable aclk_center_low_root switch to lower frequency. 12'h000: Disable. Others: Reserved.

**CRU AUTOCS ACLK CENTER S400 ROOT CON0**

Address: Operational Base + offset (0x0DF8)

Bit	Attr	Reset Value	Description
31:16	RW	0x0020	aclk_center_s400_root_wait_th wait_th Wait time threshold, measured by original clk.
15:0	RW	0x0004	aclk_center_s400_root_idle_th idle_th Idle time threshold, measured by original clk.

**CRU AUTOCS ACLK CENTER S400 ROOT CON1**

Address: Operational Base + offset (0x0DFC)

Bit	Attr	Reset Value	Description
31:16	WO	0x0000	write_enable Write enable for lower 16 bits, each bit is individual. 1'b0: Write access disable 1'b1: Write access enable
15:14	RW	0x0	aclk_center_s400_root_clkssel_cfg clkssel_cfg Auto switch clock selection. 2'b00: Original clk 2'b01: xin_osc0_func_div 2'b10: clk_rtc_32k
13	RW	0x0	aclk_center_s400_root_switch_en switch_en 1'b1: Enable aclk_center_s400_root switched to lower frequency when module is inactive. 1'b0: Disable auto switch function.

Bit	Attr	Reset Value	Description
12	RW	0x0	aclk_center_s400_root_autocs_en autocs_en 1'b1: Enable aclk_center_s400_root switch to lower frequency. 1'b0: Disable.
11:0	RW	0x000	aclk_center_s400_root_autocs_ctrl autocs_ctrl 12'hfff: Enable aclk_center_s400_root switch to lower frequency. 12'h000: Disable. Others: Reserved.

**CRU AUTOCS ACLK VO1USB TOP ROOT CON0**

Address: Operational Base + offset (0x0E00)

Bit	Attr	Reset Value	Description
31:16	RW	0x0020	aclk_vo1usb_top_root_wait_th wait_th Wait time threshold, measured by original clk.
15:0	RW	0x0004	aclk_vo1usb_top_root_idle_th idle_th Idle time threshold, measured by original clk.

**CRU AUTOCS ACLK VO1USB TOP ROOT CON1**

Address: Operational Base + offset (0x0E04)

Bit	Attr	Reset Value	Description
31:16	WO	0x0000	write_enable Write enable for lower 16 bits, each bit is individual. 1'b0: Write access disable 1'b1: Write access enable
15:14	RW	0x0	aclk_vo1usb_top_root_clkssel_cfg clkssel_cfg Auto switch clock selection. 2'b00: Original clk 2'b01: xin_osc0_func_div 2'b10: clk_rtc_32k
13	RW	0x0	aclk_vo1usb_top_root_switch_en switch_en 1'b1: Enable aclk_vo1usb_top_root switched to lower frequency when module is inactive. 1'b0: Disable auto switch function.
12	RW	0x0	aclk_vo1usb_top_root_autocs_en autocs_en 1'b1: Enable aclk_vo1usb_top_root switch to lower frequency. 1'b0: Disable.
11:0	RW	0x000	aclk_vo1usb_top_root_autocs_ctrl autocs_ctrl 12'hfff: Enable aclk_vo1usb_top_root switch to lower frequency. 12'h000: Disable. Others: Reserved.

**CRU AUTOCS ACLK RGA3 ROOT CON0**

Address: Operational Base + offset (0x0E08)

Bit	Attr	Reset Value	Description
31:16	RW	0x0020	aclk_rga3_root_wait_th wait_th Wait time threshold, measured by original clk.

Bit	Attr	Reset Value	Description
15:0	RW	0x0004	aclk_rga3_root_idle_th idle_th Idle time threshold, measured by original clk.

**CRU AUTOCS ACLK RGA3 ROOT CON1**

Address: Operational Base + offset (0x0E0C)

Bit	Attr	Reset Value	Description
31:16	WO	0x0000	write_enable Write enable for lower 16 bits, each bit is individual. 1'b0: Write access disable 1'b1: Write access enable
15:14	RW	0x0	aclk_rga3_root_clkssel_cfg clkssel_cfg Auto switch clock selection. 2'b00: Original clk 2'b01: xin_osc0_func_div 2'b10: clk_rtc_32k
13	RW	0x0	aclk_rga3_root_switch_en switch_en 1'b1: Enable aclk_rga3_root switched to lower frequency when module is inactive. 1'b0: Disable auto switch function.
12	RW	0x0	aclk_rga3_root_autocs_en autocs_en 1'b1: Enable aclk_rga3_root switch to lower frequency. 1'b0: Disable.
11:0	RW	0x000	aclk_rga3_root_autocs_ctrl autocs_ctrl 12'hfff: Enable aclk_rga3_root switch to lower frequency. 12'h000: Disable. Others: Reserved.

**CRU AUTOCS PCLK AV1 ROOT CON0**

Address: Operational Base + offset (0x0E10)

Bit	Attr	Reset Value	Description
31:16	RW	0x0020	pclk_av1_root_wait_th wait_th Wait time threshold, measured by original clk.
15:0	RW	0x0004	pclk_av1_root_idle_th idle_th Idle time threshold, measured by original clk.

**CRU AUTOCS PCLK AV1 ROOT CON1**

Address: Operational Base + offset (0x0E14)

Bit	Attr	Reset Value	Description
31:16	WO	0x0000	write_enable Write enable for lower 16 bits, each bit is individual. 1'b0: Write access disable 1'b1: Write access enable
15:14	RW	0x0	pclk_av1_root_clkssel_cfg clkssel_cfg Auto switch clock selection. 2'b00: Original clk 2'b01: xin_osc0_func_div 2'b10: clk_rtc_32k

Bit	Attr	Reset Value	Description
13	RW	0x0	pclk_av1_root_switch_en switch_en 1'b1: Enable pclk_av1_root switched to lower frequency when module is inactive. 1'b0: Disable auto switch function.
12	RW	0x0	pclk_av1_root_autocs_en autocs_en 1'b1: Enable pclk_av1_root switch to lower frequency. 1'b0: Disable.
11:0	RW	0x000	pclk_av1_root_autocs_ctrl autocs_ctrl 12'hfff: Enable pclk_av1_root switch to lower frequency. 12'h000: Disable. Others: Reserved.

**CRU AUTOCS HCLK ISP1 ROOT CON0**

Address: Operational Base + offset (0x0E18)

Bit	Attr	Reset Value	Description
31:16	RW	0x0020	hclk_isp1_root_wait_th wait_th Wait time threshold, measured by original clk.
15:0	RW	0x0004	hclk_isp1_root_idle_th idle_th Idle time threshold, measured by original clk.

**CRU AUTOCS HCLK ISP1 ROOT CON1**

Address: Operational Base + offset (0x0E1C)

Bit	Attr	Reset Value	Description
31:16	WO	0x0000	write_enable Write enable for lower 16 bits, each bit is individual. 1'b0: Write access disable 1'b1: Write access enable
15:14	RW	0x0	hclk_isp1_root_clkssel_cfg clkssel_cfg Auto switch clock selection. 2'b00: Original clk 2'b01: xin_osc0_func_div 2'b10: clk_rtc_32k
13	RW	0x0	hclk_isp1_root_switch_en switch_en 1'b1: Enable hclk_isp1_root switched to lower frequency when module is inactive. 1'b0: Disable auto switch function.
12	RW	0x0	hclk_isp1_root_autocs_en autocs_en 1'b1: Enable hclk_isp1_root switch to lower frequency. 1'b0: Disable.
11:0	RW	0x000	hclk_isp1_root_autocs_ctrl autocs_ctrl 12'hfff: Enable hclk_isp1_root switch to lower frequency. 12'h000: Disable. Others: Reserved.

**CRU AUTOCS PCLK NPUTOP ROOT CON0**

Address: Operational Base + offset (0x0E20)

Bit	Attr	Reset Value	Description
31:16	RW	0x0020	pclk_nputop_root_wait_th wait_th Wait time threshold, measured by original clk.
15:0	RW	0x0004	pclk_nputop_root_idle_th idle_th Idle time threshold, measured by original clk.

**CRU AUTOCS PCLK NPUTOP ROOT CON1**

Address: Operational Base + offset (0x0E24)

Bit	Attr	Reset Value	Description
31:16	WO	0x0000	write_enable Write enable for lower 16 bits, each bit is individual. 1'b0: Write access disable 1'b1: Write access enable
15:14	RW	0x0	pclk_nputop_root_clkssel_cfg clkssel_cfg Auto switch clock selection. 2'b00: Original clk 2'b01: xin_osc0_func_div 2'b10: clk_rtc_32k
13	RW	0x0	pclk_nputop_root_switch_en switch_en 1'b1: Enable pclk_nputop_root switched to lower frequency when module is inactive. 1'b0: Disable auto switch function.
12	RW	0x0	pclk_nputop_root_autocs_en autocs_en 1'b1: Enable pclk_nputop_root switch to lower frequency. 1'b0: Disable.
11:0	RW	0x000	pclk_nputop_root_autocs_ctrl autocs_ctrl 12'hfff: Enable pclk_nputop_root switch to lower frequency. 12'h000: Disable. Others: Reserved.

**CRU AUTOCS HCLK NPU CM0 ROOT CON0**

Address: Operational Base + offset (0x0E28)

Bit	Attr	Reset Value	Description
31:16	RW	0x0020	hclk_npu_cm0_root_wait_th wait_th Wait time threshold, measured by original clk.
15:0	RW	0x0004	hclk_npu_cm0_root_idle_th idle_th Idle time threshold, measured by original clk.

**CRU AUTOCS HCLK NPU CM0 ROOT CON1**

Address: Operational Base + offset (0x0E2C)

Bit	Attr	Reset Value	Description
31:16	WO	0x0000	write_enable Write enable for lower 16 bits, each bit is individual. 1'b0: Write access disable 1'b1: Write access enable



Bit	Attr	Reset Value	Description
15:14	RW	0x0	hclk_npu_cm0_root_clkssel_cfg clkssel_cfg Auto switch clock selection. 2'b00: Original clk 2'b01: xin_osc0_func_div 2'b10: clk_rtc_32k
13	RW	0x0	hclk_npu_cm0_root_switch_en switch_en 1'b1: Enable hclk_npu_cm0_root switched to lower frequency when module is inactive. 1'b0: Disable auto switch function.
12	RW	0x0	hclk_npu_cm0_root_autocs_en autocs_en 1'b1: Enable hclk_npu_cm0_root switch to lower frequency. 1'b0: Disable.
11:0	RW	0x000	hclk_npu_cm0_root_autocs_ctrl autocs_ctrl 12'hfff: Enable hclk_npu_cm0_root switch to lower frequency. 12'h000: Disable. Others: Reserved.

**CRU AUTOCS HCLK NVM ROOT CON0**

Address: Operational Base + offset (0x0E30)

Bit	Attr	Reset Value	Description
31:16	RW	0x0020	hclk_nvm_root_wait_th wait_th Wait time threshold, measured by original clk.
15:0	RW	0x0004	hclk_nvm_root_idle_th idle_th Idle time threshold, measured by original clk.

**CRU AUTOCS HCLK NVM ROOT CON1**

Address: Operational Base + offset (0x0E34)

Bit	Attr	Reset Value	Description
31:16	WO	0x0000	write_enable Write enable for lower 16 bits, each bit is individual. 1'b0: Write access disable 1'b1: Write access enable
15:14	RW	0x0	hclk_nvm_root_clkssel_cfg clkssel_cfg Auto switch clock selection. 2'b00: Original clk 2'b01: xin_osc0_func_div 2'b10: clk_rtc_32k
13	RW	0x0	hclk_nvm_root_switch_en switch_en 1'b1: Enable hclk_nvm_root switched to lower frequency when module is inactive. 1'b0: Disable auto switch function.
12	RW	0x0	hclk_nvm_root_autocs_en autocs_en 1'b1: Enable hclk_nvm_root switch to lower frequency. 1'b0: Disable.

Bit	Attr	Reset Value	Description
11:0	RW	0x000	hclk_nvm_root_autocs_ctrl autocs_ctrl 12'hfff: Enable hclk_nvm_root switch to lower frequency. 12'h000: Disable. Others: Reserved.

**CRU AUTOCS PCLK PHP ROOT CON0**

Address: Operational Base + offset (0x0E38)

Bit	Attr	Reset Value	Description
31:16	RW	0x0020	pclk_php_root_wait_th wait_th Wait time threshold, measured by original clk.
15:0	RW	0x0004	pclk_php_root_idle_th idle_th Idle time threshold, measured by original clk.

**CRU AUTOCS PCLK PHP ROOT CON1**

Address: Operational Base + offset (0x0E3C)

Bit	Attr	Reset Value	Description
31:16	WO	0x0000	write_enable Write enable for lower 16 bits, each bit is individual. 1'b0: Write access disable 1'b1: Write access enable
15:14	RW	0x0	pclk_php_root_clkssel_cfg clkssel_cfg Auto switch clock selection. 2'b00: Original clk 2'b01: xin_osc0_func_div 2'b10: clk_rtc_32k
13	RW	0x0	pclk_php_root_switch_en switch_en 1'b1: Enable pclk_php_root switched to lower frequency when module is inactive. 1'b0: Disable auto switch function.
12	RW	0x0	pclk_php_root_autocs_en autocs_en 1'b1: Enable pclk_php_root switch to lower frequency. 1'b0: Disable.
11:0	RW	0x000	pclk_php_root_autocs_ctrl autocs_ctrl 12'hfff: Enable pclk_php_root switch to lower frequency. 12'h000: Disable. Others: Reserved.

**CRU AUTOCS ACLK PCIE ROOT CON0**

Address: Operational Base + offset (0x0E40)

Bit	Attr	Reset Value	Description
31:16	RW	0x0020	aclk_pcie_root_wait_th wait_th Wait time threshold, measured by original clk.
15:0	RW	0x0004	aclk_pcie_root_idle_th idle_th Idle time threshold, measured by original clk.

**CRU AUTOCS ACLK PCIE ROOT CON1**

Address: Operational Base + offset (0x0E44)

Bit	Attr	Reset Value	Description
31:16	WO	0x0000	write_enable Write enable for lower 16 bits, each bit is individual. 1'b0: Write access disable 1'b1: Write access enable
15:14	RW	0x0	aclk_pcie_root_clkssel_cfg clkssel_cfg Auto switch clock selection. 2'b00: Original clk 2'b01: xin_osc0_func_div 2'b10: clk_rtc_32k
13	RW	0x0	aclk_pcie_root_switch_en switch_en 1'b1: Enable aclk_pcie_root switched to lower frequency when module is inactive. 1'b0: Disable auto switch function.
12	RW	0x0	aclk_pcie_root_autocs_en autocs_en 1'b1: Enable aclk_pcie_root switch to lower frequency. 1'b0: Disable.
11:0	RW	0x000	aclk_pcie_root_autocs_ctrl autocs_ctrl 12'hfff: Enable aclk_pcie_root switch to lower frequency. 12'h000: Disable. Others: Reserved.

**CRU AUTOCS HCLK RKVDEC0 ROOT CON0**

Address: Operational Base + offset (0x0E48)

Bit	Attr	Reset Value	Description
31:16	RW	0x0020	hclk_rkvdec0_root_wait_th wait_th Wait time threshold, measured by original clk.
15:0	RW	0x0004	hclk_rkvdec0_root_idle_th idle_th Idle time threshold, measured by original clk.

**CRU AUTOCS HCLK RKVDEC0 ROOT CON1**

Address: Operational Base + offset (0x0E4C)

Bit	Attr	Reset Value	Description
31:16	WO	0x0000	write_enable Write enable for lower 16 bits, each bit is individual. 1'b0: Write access disable 1'b1: Write access enable
15:14	RW	0x0	hclk_rkvdec0_root_clkssel_cfg clkssel_cfg Auto switch clock selection. 2'b00: Original clk 2'b01: xin_osc0_func_div 2'b10: clk_rtc_32k
13	RW	0x0	hclk_rkvdec0_root_switch_en switch_en 1'b1: Enable hclk_rkvdec0_root switched to lower frequency when module is inactive. 1'b0: Disable auto switch function.

Bit	Attr	Reset Value	Description
12	RW	0x0	hclk_rkvdec0_root_autocs_en autocs_en 1'b1: Enable hclk_rkvdec0_root switch to lower frequency. 1'b0: Disable.
11:0	RW	0x000	hclk_rkvdec0_root_autocs_ctrl autocs_ctrl 12'hfff: Enable hclk_rkvdec0_root switch to lower frequency. 12'h000: Disable. Others: Reserved.

**CRU AUTOCS HCLK RKVDEC1 ROOT CON0**

Address: Operational Base + offset (0x0E50)

Bit	Attr	Reset Value	Description
31:16	RW	0x0020	hclk_rkvdec1_root_wait_th wait_th Wait time threshold, measured by original clk.
15:0	RW	0x0004	hclk_rkvdec1_root_idle_th idle_th Idle time threshold, measured by original clk.

**CRU AUTOCS HCLK RKVDEC1 ROOT CON1**

Address: Operational Base + offset (0x0E54)

Bit	Attr	Reset Value	Description
31:16	WO	0x0000	write_enable Write enable for lower 16 bits, each bit is individual. 1'b0: Write access disable 1'b1: Write access enable
15:14	RW	0x0	hclk_rkvdec1_root_clkssel_cfg clkssel_cfg Auto switch clock selection. 2'b00: Original clk 2'b01: xin_osc0_func_div 2'b10: clk_rtc_32k
13	RW	0x0	hclk_rkvdec1_root_switch_en switch_en 1'b1: Enable hclk_rkvdec1_root switched to lower frequency when module is inactive. 1'b0: Disable auto switch function.
12	RW	0x0	hclk_rkvdec1_root_autocs_en autocs_en 1'b1: Enable hclk_rkvdec1_root switch to lower frequency. 1'b0: Disable.
11:0	RW	0x000	hclk_rkvdec1_root_autocs_ctrl autocs_ctrl 12'hfff: Enable hclk_rkvdec1_root switch to lower frequency. 12'h000: Disable. Others: Reserved.

**CRU AUTOCS PCLK TOP ROOT CON0**

Address: Operational Base + offset (0x0E58)

Bit	Attr	Reset Value	Description
31:16	RW	0x0020	pclk_top_root_wait_th wait_th Wait time threshold, measured by original clk.

Bit	Attr	Reset Value	Description
15:0	RW	0x0004	pclk_top_root_idle_th idle_th Idle time threshold, measured by original clk.

**CRU AUTOCS PCLK TOP ROOT CON1**

Address: Operational Base + offset (0x0E5C)

Bit	Attr	Reset Value	Description
31:16	WO	0x0000	write_enable Write enable for lower 16 bits, each bit is individual. 1'b0: Write access disable 1'b1: Write access enable
15:14	RW	0x0	pclk_top_root_clkssel_cfg clkssel_cfg Auto switch clock selection. 2'b00: Original clk 2'b01: xin_osc0_func_div 2'b10: clk_rtc_32k
13	RW	0x0	pclk_top_root_switch_en switch_en 1'b1: Enable pclk_top_root switched to lower frequency when module is inactive. 1'b0: Disable auto switch function.
12	RW	0x0	pclk_top_root_autocs_en autocs_en 1'b1: Enable pclk_top_root switch to lower frequency. 1'b0: Disable.
11:0	RW	0x000	pclk_top_root_autocs_ctrl autocs_ctrl 12'hfff: Enable pclk_top_root switch to lower frequency. 12'h000: Disable. Others: Reserved.

**CRU AUTOCS ACLK TOP M500 ROOT CON0**

Address: Operational Base + offset (0x0E60)

Bit	Attr	Reset Value	Description
31:16	RW	0x0020	aclk_top_m500_root_wait_th wait_th Wait time threshold, measured by original clk.
15:0	RW	0x0004	aclk_top_m500_root_idle_th idle_th Idle time threshold, measured by original clk.

**CRU AUTOCS ACLK TOP M500 ROOT CON1**

Address: Operational Base + offset (0x0E64)

Bit	Attr	Reset Value	Description
31:16	WO	0x0000	write_enable Write enable for lower 16 bits, each bit is individual. 1'b0: Write access disable 1'b1: Write access enable
15:14	RW	0x0	aclk_top_m500_root_clkssel_cfg clkssel_cfg Auto switch clock selection. 2'b00: Original clk 2'b01: xin_osc0_func_div 2'b10: clk_rtc_32k

Bit	Attr	Reset Value	Description
13	RW	0x0	aclk_top_m500_root_switch_en switch_en 1'b1: Enable aclk_top_m500_root switched to lower frequency when module is inactive. 1'b0: Disable auto switch function.
12	RW	0x0	aclk_top_m500_root_autocs_en autocs_en 1'b1: Enable aclk_top_m500_root switch to lower frequency. 1'b0: Disable.
11:0	RW	0x000	aclk_top_m500_root_autocs_ctrl autocs_ctrl 12'hfff: Enable aclk_top_m500_root switch to lower frequency. 12'h000: Disable. Others: Reserved.

**CRU AUTOCS ACLK TOP S200 ROOT CON0**

Address: Operational Base + offset (0x0E68)

Bit	Attr	Reset Value	Description
31:16	RW	0x0020	aclk_top_s200_root_wait_th wait_th Wait time threshold, measured by original clk.
15:0	RW	0x0004	aclk_top_s200_root_idle_th idle_th Idle time threshold, measured by original clk.

**CRU AUTOCS ACLK TOP S200 ROOT CON1**

Address: Operational Base + offset (0x0E6C)

Bit	Attr	Reset Value	Description
31:16	WO	0x0000	write_enable Write enable for lower 16 bits, each bit is individual. 1'b0: Write access disable 1'b1: Write access enable
15:14	RW	0x0	aclk_top_s200_root_clkssel_cfg clkssel_cfg Auto switch clock selection. 2'b00: Original clk 2'b01: xin_osc0_func_div 2'b10: clk_rtc_32k
13	RW	0x0	aclk_top_s200_root_switch_en switch_en 1'b1: Enable aclk_top_s200_root switched to lower frequency when module is inactive. 1'b0: Disable auto switch function.
12	RW	0x0	aclk_top_s200_root_autocs_en autocs_en 1'b1: Enable aclk_top_s200_root switch to lower frequency. 1'b0: Disable.
11:0	RW	0x000	aclk_top_s200_root_autocs_ctrl autocs_ctrl 12'hfff: Enable aclk_top_s200_root switch to lower frequency. 12'h000: Disable. Others: Reserved.

**CRU AUTOCS HCLK USB ROOT CON0**

Address: Operational Base + offset (0x0E70)

Bit	Attr	Reset Value	Description
31:16	RW	0x0020	hclk_usb_root_wait_th wait_th Wait time threshold, measured by original clk.
15:0	RW	0x0004	hclk_usb_root_idle_th idle_th Idle time threshold, measured by original clk.

**CRU AUTOCS HCLK USB ROOT CON1**

Address: Operational Base + offset (0x0E74)

Bit	Attr	Reset Value	Description
31:16	WO	0x0000	write_enable Write enable for lower 16 bits, each bit is individual. 1'b0: Write access disable 1'b1: Write access enable
15:14	RW	0x0	hclk_usb_root_clkssel_cfg clkssel_cfg Auto switch clock selection. 2'b00: Original clk 2'b01: xin_osc0_func_div 2'b10: clk_rtc_32k
13	RW	0x0	hclk_usb_root_switch_en switch_en 1'b1: Enable hclk_usb_root switched to lower frequency when module is inactive. 1'b0: Disable auto switch function.
12	RW	0x0	hclk_usb_root_autocs_en autocs_en 1'b1: Enable hclk_usb_root switch to lower frequency. 1'b0: Disable.
11:0	RW	0x000	hclk_usb_root_autocs_ctrl autocs_ctrl 12'hfff: Enable hclk_usb_root switch to lower frequency. 12'h000: Disable. Others: Reserved.

**CRU AUTOCS HCLK VDPU ROOT CON0**

Address: Operational Base + offset (0x0E78)

Bit	Attr	Reset Value	Description
31:16	RW	0x0020	hclk_vdpu_root_wait_th wait_th Wait time threshold, measured by original clk.
15:0	RW	0x0004	hclk_vdpu_root_idle_th idle_th Idle time threshold, measured by original clk.

**CRU AUTOCS HCLK VDPU ROOT CON1**

Address: Operational Base + offset (0x0E7C)

Bit	Attr	Reset Value	Description
31:16	WO	0x0000	write_enable Write enable for lower 16 bits, each bit is individual. 1'b0: Write access disable 1'b1: Write access enable

Bit	Attr	Reset Value	Description
15:14	RW	0x0	hclk_vdpu_root_clkselect_cfg clkselect_cfg Auto switch clock selection. 2'b00: Original clk 2'b01: xin_osc0_func_div 2'b10: clk_rtc_32k
13	RW	0x0	hclk_vdpu_root_switch_en switch_en 1'b1: Enable hclk_vdpu_root switched to lower frequency when module is inactive. 1'b0: Disable auto switch function.
12	RW	0x0	hclk_vdpu_root_autocselect_en autocselect_en 1'b1: Enable hclk_vdpu_root switch to lower frequency. 1'b0: Disable.
11:0	RW	0x000	hclk_vdpu_root_autocselect_ctrl autocselect_ctrl 12'hfff: Enable hclk_vdpu_root switch to lower frequency. 12'h000: Disable. Others: Reserved.

**CRU AUTOCS HCLK RKVENC0 ROOT CON0**

Address: Operational Base + offset (0x0E80)

Bit	Attr	Reset Value	Description
31:16	RW	0x0020	hclk_rkvenc0_root_wait_th wait_th Wait time threshold, measured by original clk.
15:0	RW	0x0004	hclk_rkvenc0_root_idle_th idle_th Idle time threshold, measured by original clk.

**CRU AUTOCS HCLK RKVENC0 ROOT CON1**

Address: Operational Base + offset (0x0E84)

Bit	Attr	Reset Value	Description
31:16	WO	0x0000	write_enable Write enable for lower 16 bits, each bit is individual. 1'b0: Write access disable 1'b1: Write access enable
15:14	RW	0x0	hclk_rkvenc0_root_clkselect_cfg clkselect_cfg Auto switch clock selection. 2'b00: Original clk 2'b01: xin_osc0_func_div 2'b10: clk_rtc_32k
13	RW	0x0	hclk_rkvenc0_root_switch_en switch_en 1'b1: Enable hclk_rkvenc0_root switched to lower frequency when module is inactive. 1'b0: Disable auto switch function.
12	RW	0x0	hclk_rkvenc0_root_autocselect_en autocselect_en 1'b1: Enable hclk_rkvenc0_root switch to lower frequency. 1'b0: Disable.



Bit	Attr	Reset Value	Description
11:0	RW	0x000	hclk_rkvenc0_root_autocs_ctrl autocs_ctrl 12'hfff: Enable hclk_rkvenc0_root switch to lower frequency. 12'h000: Disable. Others: Reserved.

**CRU AUTOCS HCLK RKVENC1 ROOT CON0**

Address: Operational Base + offset (0x0E88)

Bit	Attr	Reset Value	Description
31:16	RW	0x0020	hclk_rkvenc1_root_wait_th wait_th Wait time threshold, measured by original clk.
15:0	RW	0x0004	hclk_rkvenc1_root_idle_th idle_th Idle time threshold, measured by original clk.

**CRU AUTOCS HCLK RKVENC1 ROOT CON1**

Address: Operational Base + offset (0x0E8C)

Bit	Attr	Reset Value	Description
31:16	WO	0x0000	write_enable Write enable for lower 16 bits, each bit is individual. 1'b0: Write access disable 1'b1: Write access enable
15:14	RW	0x0	hclk_rkvenc1_root_clkssel_cfg clkssel_cfg Auto switch clock selection. 2'b00: Original clk 2'b01: xin_osc0_func_div 2'b10: clk_rtc_32k
13	RW	0x0	hclk_rkvenc1_root_switch_en switch_en 1'b1: Enable hclk_rkvenc1_root switched to lower frequency when module is inactive. 1'b0: Disable auto switch function.
12	RW	0x0	hclk_rkvenc1_root_autocs_en autocs_en 1'b1: Enable hclk_rkvenc1_root switch to lower frequency. 1'b0: Disable.
11:0	RW	0x000	hclk_rkvenc1_root_autocs_ctrl autocs_ctrl 12'hfff: Enable hclk_rkvenc1_root switch to lower frequency. 12'h000: Disable. Others: Reserved.

**CRU AUTOCS HCLK VI ROOT CON0**

Address: Operational Base + offset (0x0E90)

Bit	Attr	Reset Value	Description
31:16	RW	0x0020	hclk_vi_root_wait_th wait_th Wait time threshold, measured by original clk.
15:0	RW	0x0004	hclk_vi_root_idle_th idle_th Idle time threshold, measured by original clk.

**CRU AUTOCS HCLK VI ROOT CON1**

Address: Operational Base + offset (0x0E94)

Bit	Attr	Reset Value	Description
31:16	WO	0x0000	write_enable Write enable for lower 16 bits, each bit is individual. 1'b0: Write access disable 1'b1: Write access enable
15:14	RW	0x0	hclk_vi_root_clkssel_cfg clkssel_cfg Auto switch clock selection. 2'b00: Original clk 2'b01: xin_osc0_func_div 2'b10: clk_rtc_32k
13	RW	0x0	hclk_vi_root_switch_en switch_en 1'b1: Enable hclk_vi_root switched to lower frequency when module is inactive. 1'b0: Disable auto switch function.
12	RW	0x0	hclk_vi_root_autocs_en autocs_en 1'b1: Enable hclk_vi_root switch to lower frequency. 1'b0: Disable.
11:0	RW	0x000	hclk_vi_root_autocs_ctrl autocs_ctrl 12'hfff: Enable hclk_vi_root switch to lower frequency. 12'h000: Disable. Others: Reserved.

**CRU AUTOCS PCLK VI ROOT CON0**

Address: Operational Base + offset (0x0E98)

Bit	Attr	Reset Value	Description
31:16	RW	0x0020	pclk_vi_root_wait_th wait_th Wait time threshold, measured by original clk.
15:0	RW	0x0004	pclk_vi_root_idle_th idle_th Idle time threshold, measured by original clk.

**CRU AUTOCS PCLK VI ROOT CON1**

Address: Operational Base + offset (0x0E9C)

Bit	Attr	Reset Value	Description
31:16	WO	0x0000	write_enable Write enable for lower 16 bits, each bit is individual. 1'b0: Write access disable 1'b1: Write access enable
15:14	RW	0x0	pclk_vi_root_clkssel_cfg clkssel_cfg Auto switch clock selection. 2'b00: Original clk 2'b01: xin_osc0_func_div 2'b10: clk_rtc_32k
13	RW	0x0	pclk_vi_root_switch_en switch_en 1'b1: Enable pclk_vi_root switched to lower frequency when module is inactive. 1'b0: Disable auto switch function.

Bit	Attr	Reset Value	Description
12	RW	0x0	pclk_vi_root_autocs_en autocs_en 1'b1: Enable pclk_vi_root switch to lower frequency. 1'b0: Disable.
11:0	RW	0x000	pclk_vi_root_autocs_ctrl autocs_ctrl 12'hfff: Enable pclk_vi_root switch to lower frequency. 12'h000: Disable. Others: Reserved.

**CRU AUTOCS ACLK VOP LOW ROOT CON0**

Address: Operational Base + offset (0x0EA0)

Bit	Attr	Reset Value	Description
31:16	RW	0x0020	aclk_vop_low_root_wait_th wait_th Wait time threshold, measured by original clk.
15:0	RW	0x0004	aclk_vop_low_root_idle_th idle_th Idle time threshold, measured by original clk.

**CRU AUTOCS ACLK VOP LOW ROOT CON1**

Address: Operational Base + offset (0x0EA4)

Bit	Attr	Reset Value	Description
31:16	WO	0x0000	write_enable Write enable for lower 16 bits, each bit is individual. 1'b0: Write access disable 1'b1: Write access enable
15:14	RW	0x0	aclk_vop_low_root_clkssel_cfg clkssel_cfg Auto switch clock selection. 2'b00: Original clk 2'b01: xin_osc0_func_div 2'b10: clk_rtc_32k
13	RW	0x0	aclk_vop_low_root_switch_en switch_en 1'b1: Enable aclk_vop_low_root switched to lower frequency when module is inactive. 1'b0: Disable auto switch function.
12	RW	0x0	aclk_vop_low_root_autocs_en autocs_en 1'b1: Enable aclk_vop_low_root switch to lower frequency. 1'b0: Disable.
11:0	RW	0x000	aclk_vop_low_root_autocs_ctrl autocs_ctrl 12'hfff: Enable aclk_vop_low_root switch to lower frequency. 12'h000: Disable. Others: Reserved.

**CRU AUTOCS HCLK VOP ROOT CON0**

Address: Operational Base + offset (0x0EA8)

Bit	Attr	Reset Value	Description
31:16	RW	0x0020	hclk_vop_root_wait_th wait_th Wait time threshold, measured by original clk.

Bit	Attr	Reset Value	Description
15:0	RW	0x0004	hclk_vop_root_idle_th idle_th Idle time threshold, measured by original clk.

**CRU AUTOCS HCLK VOP ROOT CON1**

Address: Operational Base + offset (0x0EAC)

Bit	Attr	Reset Value	Description
31:16	WO	0x0000	write_enable Write enable for lower 16 bits, each bit is individual. 1'b0: Write access disable 1'b1: Write access enable
15:14	RW	0x0	hclk_vop_root_clkssel_cfg clkssel_cfg Auto switch clock selection. 2'b00: Original clk 2'b01: xin_osc0_func_div 2'b10: clk_rtc_32k
13	RW	0x0	hclk_vop_root_switch_en switch_en 1'b1: Enable hclk_vop_root switched to lower frequency when module is inactive. 1'b0: Disable auto switch function.
12	RW	0x0	hclk_vop_root_autocs_en autocs_en 1'b1: Enable hclk_vop_root switch to lower frequency. 1'b0: Disable.
11:0	RW	0x000	hclk_vop_root_autocs_ctrl autocs_ctrl 12'hfff: Enable hclk_vop_root switch to lower frequency. 12'h000: Disable. Others: Reserved.

**CRU AUTOCS PCLK VOP ROOT CON0**

Address: Operational Base + offset (0x0EB0)

Bit	Attr	Reset Value	Description
31:16	RW	0x0020	pclk_vop_root_wait_th wait_th Wait time threshold, measured by original clk.
15:0	RW	0x0004	pclk_vop_root_idle_th idle_th Idle time threshold, measured by original clk.

**CRU AUTOCS PCLK VOP ROOT CON1**

Address: Operational Base + offset (0x0EB4)

Bit	Attr	Reset Value	Description
31:16	WO	0x0000	write_enable Write enable for lower 16 bits, each bit is individual. 1'b0: Write access disable 1'b1: Write access enable
15:14	RW	0x0	pclk_vop_root_clkssel_cfg clkssel_cfg Auto switch clock selection. 2'b00: Original clk 2'b01: xin_osc0_func_div 2'b10: clk_rtc_32k

Bit	Attr	Reset Value	Description
13	RW	0x0	pclk_vop_root_switch_en switch_en 1'b1: Enable pclk_vop_root switched to lower frequency when module is inactive. 1'b0: Disable auto switch function.
12	RW	0x0	pclk_vop_root_autocs_en autocs_en 1'b1: Enable pclk_vop_root switch to lower frequency. 1'b0: Disable.
11:0	RW	0x000	pclk_vop_root_autocs_ctrl autocs_ctrl 12'hfff: Enable pclk_vop_root switch to lower frequency. 12'h000: Disable. Others: Reserved.

**CRU AUTOCS HCLK V00 ROOT CON0**

Address: Operational Base + offset (0x0EB8)

Bit	Attr	Reset Value	Description
31:16	RW	0x0020	hclk_vo0_root_wait_th wait_th Wait time threshold, measured by original clk.
15:0	RW	0x0004	hclk_vo0_root_idle_th idle_th Idle time threshold, measured by original clk.

**CRU AUTOCS HCLK V00 ROOT CON1**

Address: Operational Base + offset (0x0EBC)

Bit	Attr	Reset Value	Description
31:16	WO	0x0000	write_enable Write enable for lower 16 bits, each bit is individual. 1'b0: Write access disable 1'b1: Write access enable
15:14	RW	0x0	hclk_vo0_root_clkssel_cfg clkssel_cfg Auto switch clock selection. 2'b00: Original clk 2'b01: xin_osc0_func_div 2'b10: clk_rtc_32k
13	RW	0x0	hclk_vo0_root_switch_en switch_en 1'b1: Enable hclk_vo0_root switched to lower frequency when module is inactive. 1'b0: Disable auto switch function.
12	RW	0x0	hclk_vo0_root_autocs_en autocs_en 1'b1: Enable hclk_vo0_root switch to lower frequency. 1'b0: Disable.
11:0	RW	0x000	hclk_vo0_root_autocs_ctrl autocs_ctrl 12'hfff: Enable hclk_vo0_root switch to lower frequency. 12'h000: Disable. Others: Reserved.

**CRU AUTOCS HCLK V00 S ROOT CON0**

Address: Operational Base + offset (0x0EC0)

Bit	Attr	Reset Value	Description
31:16	RW	0x0020	hclk_vo0_s_root_wait_th wait_th Wait time threshold, measured by original clk.
15:0	RW	0x0004	hclk_vo0_s_root_idle_th idle_th Idle time threshold, measured by original clk.

**CRU AUTOCS HCLK V00 S ROOT CON1**

Address: Operational Base + offset (0x0EC4)

Bit	Attr	Reset Value	Description
31:16	WO	0x0000	write_enable Write enable for lower 16 bits, each bit is individual. 1'b0: Write access disable 1'b1: Write access enable
15:14	RW	0x0	hclk_vo0_s_root_clkssel_cfg clkssel_cfg Auto switch clock selection. 2'b00: Original clk 2'b01: xin_osc0_func_div 2'b10: clk_rtc_32k
13	RW	0x0	hclk_vo0_s_root_switch_en switch_en 1'b1: Enable hclk_vo0_s_root switched to lower frequency when module is inactive. 1'b0: Disable auto switch function.
12	RW	0x0	hclk_vo0_s_root_autocs_en autocs_en 1'b1: Enable hclk_vo0_s_root switch to lower frequency. 1'b0: Disable.
11:0	RW	0x000	hclk_vo0_s_root_autocs_ctrl autocs_ctrl 12'hfff: Enable hclk_vo0_s_root switch to lower frequency. 12'h000: Disable. Others: Reserved.

**CRU AUTOCS PCLK V00 ROOT CON0**

Address: Operational Base + offset (0x0EC8)

Bit	Attr	Reset Value	Description
31:16	RW	0x0020	pclk_vo0_root_wait_th wait_th Wait time threshold, measured by original clk.
15:0	RW	0x0004	pclk_vo0_root_idle_th idle_th Idle time threshold, measured by original clk.

**CRU AUTOCS PCLK V00 ROOT CON1**

Address: Operational Base + offset (0x0ECC)

Bit	Attr	Reset Value	Description
31:16	WO	0x0000	write_enable Write enable for lower 16 bits, each bit is individual. 1'b0: Write access disable 1'b1: Write access enable

Bit	Attr	Reset Value	Description
15:14	RW	0x0	pclk_vo0_root_clkssel_cfg clkssel_cfg Auto switch clock selection. 2'b00: Original clk 2'b01: xin_osc0_func_div 2'b10: clk_rtc_32k
13	RW	0x0	pclk_vo0_root_switch_en switch_en 1'b1: Enable pclk_vo0_root switched to lower frequency when module is inactive. 1'b0: Disable auto switch function.
12	RW	0x0	pclk_vo0_root_autocs_en autocs_en 1'b1: Enable pclk_vo0_root switch to lower frequency. 1'b0: Disable.
11:0	RW	0x000	pclk_vo0_root_autocs_ctrl autocs_ctrl 12'hfff: Enable pclk_vo0_root switch to lower frequency. 12'h000: Disable. Others: Reserved.

**CRU AUTOCS PCLK V00 S ROOT CON0**

Address: Operational Base + offset (0x0ED0)

Bit	Attr	Reset Value	Description
31:16	RW	0x0020	pclk_vo0_s_root_wait_th wait_th Wait time threshold, measured by original clk.
15:0	RW	0x0004	pclk_vo0_s_root_idle_th idle_th Idle time threshold, measured by original clk.

**CRU AUTOCS PCLK V00 S ROOT CON1**

Address: Operational Base + offset (0x0ED4)

Bit	Attr	Reset Value	Description
31:16	WO	0x0000	write_enable Write enable for lower 16 bits, each bit is individual. 1'b0: Write access disable 1'b1: Write access enable
15:14	RW	0x0	pclk_vo0_s_root_clkssel_cfg clkssel_cfg Auto switch clock selection. 2'b00: Original clk 2'b01: xin_osc0_func_div 2'b10: clk_rtc_32k
13	RW	0x0	pclk_vo0_s_root_switch_en switch_en 1'b1: Enable pclk_vo0_s_root switched to lower frequency when module is inactive. 1'b0: Disable auto switch function.
12	RW	0x0	pclk_vo0_s_root_autocs_en autocs_en 1'b1: Enable pclk_vo0_s_root switch to lower frequency. 1'b0: Disable.

Bit	Attr	Reset Value	Description
11:0	RW	0x000	pclk_vo0_s_root_autocs_ctrl autocs_ctrl 12'hfff: Enable pclk_vo0_s_root switch to lower frequency. 12'h000: Disable. Others: Reserved.

**CRU AUTOCS HCLK VO1 ROOT CON0**

Address: Operational Base + offset (0x0ED8)

Bit	Attr	Reset Value	Description
31:16	RW	0x0020	hclk_vo1_root_wait_th wait_th Wait time threshold, measured by original clk.
15:0	RW	0x0004	hclk_vo1_root_idle_th idle_th Idle time threshold, measured by original clk.

**CRU AUTOCS HCLK VO1 ROOT CON1**

Address: Operational Base + offset (0x0EDC)

Bit	Attr	Reset Value	Description
31:16	WO	0x0000	write_enable Write enable for lower 16 bits, each bit is individual. 1'b0: Write access disable 1'b1: Write access enable
15:14	RW	0x0	hclk_vo1_root_clkssel_cfg clkssel_cfg Auto switch clock selection. 2'b00: Original clk 2'b01: xin_osc0_func_div 2'b10: clk_rtc_32k
13	RW	0x0	hclk_vo1_root_switch_en switch_en 1'b1: Enable hclk_vo1_root switched to lower frequency when module is inactive. 1'b0: Disable auto switch function.
12	RW	0x0	hclk_vo1_root_autocs_en autocs_en 1'b1: Enable hclk_vo1_root switch to lower frequency. 1'b0: Disable.
11:0	RW	0x000	hclk_vo1_root_autocs_ctrl autocs_ctrl 12'hfff: Enable hclk_vo1_root switch to lower frequency. 12'h000: Disable. Others: Reserved.

**CRU AUTOCS HCLK VO1 S ROOT CON0**

Address: Operational Base + offset (0x0EE0)

Bit	Attr	Reset Value	Description
31:16	RW	0x0020	hclk_vo1_s_root_wait_th wait_th Wait time threshold, measured by original clk.
15:0	RW	0x0004	hclk_vo1_s_root_idle_th idle_th Idle time threshold, measured by original clk.

**CRU AUTOCS HCLK VO1 S ROOT CON1**



Address: Operational Base + offset (0x0EE4)

Bit	Attr	Reset Value	Description
31:16	WO	0x0000	write_enable Write enable for lower 16 bits, each bit is individual. 1'b0: Write access disable 1'b1: Write access enable
15:14	RW	0x0	hclk_vo1_s_root_clkssel_cfg clkssel_cfg Auto switch clock selection. 2'b00: Original clk 2'b01: xin_osc0_func_div 2'b10: clk_rtc_32k
13	RW	0x0	hclk_vo1_s_root_switch_en switch_en 1'b1: Enable hclk_vo1_s_root switched to lower frequency when module is inactive. 1'b0: Disable auto switch function.
12	RW	0x0	hclk_vo1_s_root_autocs_en autocs_en 1'b1: Enable hclk_vo1_s_root switch to lower frequency. 1'b0: Disable.
11:0	RW	0x000	hclk_vo1_s_root_autocs_ctrl autocs_ctrl 12'hfff: Enable hclk_vo1_s_root switch to lower frequency. 12'h000: Disable. Others: Reserved.

**CRU AUTOCS PCLK VO1 ROOT CON0**

Address: Operational Base + offset (0x0EE8)

Bit	Attr	Reset Value	Description
31:16	RW	0x0020	pclk_vo1_root_wait_th wait_th Wait time threshold, measured by original clk.
15:0	RW	0x0004	pclk_vo1_root_idle_th idle_th Idle time threshold, measured by original clk.

**CRU AUTOCS PCLK VO1 ROOT CON1**

Address: Operational Base + offset (0x0EEC)

Bit	Attr	Reset Value	Description
31:16	WO	0x0000	write_enable Write enable for lower 16 bits, each bit is individual. 1'b0: Write access disable 1'b1: Write access enable
15:14	RW	0x0	pclk_vo1_root_clkssel_cfg clkssel_cfg Auto switch clock selection. 2'b00: Original clk 2'b01: xin_osc0_func_div 2'b10: clk_rtc_32k
13	RW	0x0	pclk_vo1_root_switch_en switch_en 1'b1: Enable pclk_vo1_root switched to lower frequency when module is inactive. 1'b0: Disable auto switch function.

Bit	Attr	Reset Value	Description
12	RW	0x0	pclk_vo1_root_autocs_en autocs_en 1'b1: Enable pclk_vo1_root switch to lower frequency. 1'b0: Disable.
11:0	RW	0x000	pclk_vo1_root_autocs_ctrl autocs_ctrl 12'hfff: Enable pclk_vo1_root switch to lower frequency. 12'h000: Disable. Others: Reserved.

**CRU AUTOCS PCLK VO1 S ROOT CON0**

Address: Operational Base + offset (0x0EF0)

Bit	Attr	Reset Value	Description
31:16	RW	0x0020	pclk_vo1_s_root_wait_th wait_th Wait time threshold, measured by original clk.
15:0	RW	0x0004	pclk_vo1_s_root_idle_th idle_th Idle time threshold, measured by original clk.

**CRU AUTOCS PCLK VO1 S ROOT CON1**

Address: Operational Base + offset (0x0EF4)

Bit	Attr	Reset Value	Description
31:16	WO	0x0000	write_enable Write enable for lower 16 bits, each bit is individual. 1'b0: Write access disable 1'b1: Write access enable
15:14	RW	0x0	pclk_vo1_s_root_clkssel_cfg clkssel_cfg Auto switch clock selection. 2'b00: Original clk 2'b01: xin_osc0_func_div 2'b10: clk_rtc_32k
13	RW	0x0	pclk_vo1_s_root_switch_en switch_en 1'b1: Enable pclk_vo1_s_root switched to lower frequency when module is inactive. 1'b0: Disable auto switch function.
12	RW	0x0	pclk_vo1_s_root_autocs_en autocs_en 1'b1: Enable pclk_vo1_s_root switch to lower frequency. 1'b0: Disable.
11:0	RW	0x000	pclk_vo1_s_root_autocs_ctrl autocs_ctrl 12'hfff: Enable pclk_vo1_s_root switch to lower frequency. 12'h000: Disable. Others: Reserved.

**CRU AUTOCS PCLK GPU ROOT CON0**

Address: Operational Base + offset (0x0EF8)

Bit	Attr	Reset Value	Description
31:16	RW	0x0020	pclk_gpu_root_wait_th wait_th Wait time threshold, measured by original clk.

Bit	Attr	Reset Value	Description
15:0	RW	0x0004	pclk_gpu_root_idle_th idle_th Idle time threshold, measured by original clk.

**CRU AUTOCS PCLK GPU ROOT CON1**

Address: Operational Base + offset (0x0EFC)

Bit	Attr	Reset Value	Description
31:16	WO	0x0000	write_enable Write enable for lower 16 bits, each bit is individual. 1'b0: Write access disable 1'b1: Write access enable
15:14	RW	0x0	pclk_gpu_root_clkssel_cfg clkssel_cfg Auto switch clock selection. 2'b00: Original clk 2'b01: xin_osc0_func_div 2'b10: clk_rtc_32k
13	RW	0x0	pclk_gpu_root_switch_en switch_en 1'b1: Enable pclk_gpu_root switched to lower frequency when module is inactive. 1'b0: Disable auto switch function.
12	RW	0x0	pclk_gpu_root_autocs_en autocs_en 1'b1: Enable pclk_gpu_root switch to lower frequency. 1'b0: Disable.
11:0	RW	0x000	pclk_gpu_root_autocs_ctrl autocs_ctrl 12'hfff: Enable pclk_gpu_root switch to lower frequency. 12'h000: Disable. Others: Reserved.

**CRU AUTOCS HCLK CENTER ROOT CON0**

Address: Operational Base + offset (0x0F00)

Bit	Attr	Reset Value	Description
31:16	RW	0x0020	hclk_center_root_wait_th wait_th Wait time threshold, measured by original clk.
15:0	RW	0x0004	hclk_center_root_idle_th idle_th Idle time threshold, measured by original clk.

**CRU AUTOCS HCLK CENTER ROOT CON1**

Address: Operational Base + offset (0x0F04)

Bit	Attr	Reset Value	Description
31:16	WO	0x0000	write_enable Write enable for lower 16 bits, each bit is individual. 1'b0: Write access disable 1'b1: Write access enable
15:14	RW	0x0	hclk_center_root_clkssel_cfg clkssel_cfg Auto switch clock selection. 2'b00: Original clk 2'b01: xin_osc0_func_div 2'b10: clk_rtc_32k

Bit	Attr	Reset Value	Description
13	RW	0x0	hclk_center_root_switch_en switch_en 1'b1: Enable hclk_center_root switched to lower frequency when module is inactive. 1'b0: Disable auto switch function.
12	RW	0x0	hclk_center_root_autocs_en autocs_en 1'b1: Enable hclk_center_root switch to lower frequency. 1'b0: Disable.
11:0	RW	0x000	hclk_center_root_autocs_ctrl autocs_ctrl 12'hfff: Enable hclk_center_root switch to lower frequency. 12'h000: Disable. Others: Reserved.

**CRU AUTOCS PCLK CENTER ROOT CON0**

Address: Operational Base + offset (0x0F08)

Bit	Attr	Reset Value	Description
31:16	RW	0x0020	pclk_center_root_wait_th wait_th Wait time threshold, measured by original clk.
15:0	RW	0x0004	pclk_center_root_idle_th idle_th Idle time threshold, measured by original clk.

**CRU AUTOCS PCLK CENTER ROOT CON1**

Address: Operational Base + offset (0x0F0C)

Bit	Attr	Reset Value	Description
31:16	WO	0x0000	write_enable Write enable for lower 16 bits, each bit is individual. 1'b0: Write access disable 1'b1: Write access enable
15:14	RW	0x0	pclk_center_root_clkssel_cfg clkssel_cfg Auto switch clock selection. 2'b00: Original clk 2'b01: xin_osc0_func_div 2'b10: clk_rtc_32k
13	RW	0x0	pclk_center_root_switch_en switch_en 1'b1: Enable pclk_center_root switched to lower frequency when module is inactive. 1'b0: Disable auto switch function.
12	RW	0x0	pclk_center_root_autocs_en autocs_en 1'b1: Enable pclk_center_root switch to lower frequency. 1'b0: Disable.
11:0	RW	0x000	pclk_center_root_autocs_ctrl autocs_ctrl 12'hfff: Enable pclk_center_root switch to lower frequency. 12'h000: Disable. Others: Reserved.

**CRU AUTOCS ACLK CENTER S200 ROOT CON0**

Address: Operational Base + offset (0x0F10)

Bit	Attr	Reset Value	Description
31:16	RW	0x0020	aclk_center_s200_root_wait_th wait_th Wait time threshold, measured by original clk.
15:0	RW	0x0004	aclk_center_s200_root_idle_th idle_th Idle time threshold, measured by original clk.

**CRU AUTOCS ACLK CENTER S200 ROOT CON1**

Address: Operational Base + offset (0x0F14)

Bit	Attr	Reset Value	Description
31:16	WO	0x0000	write_enable Write enable for lower 16 bits, each bit is individual. 1'b0: Write access disable 1'b1: Write access enable
15:14	RW	0x0	aclk_center_s200_root_clkssel_cfg clkssel_cfg Auto switch clock selection. 2'b00: Original clk 2'b01: xin_osc0_func_div 2'b10: clk_rtc_32k
13	RW	0x0	aclk_center_s200_root_switch_en switch_en 1'b1: Enable aclk_center_s200_root switched to lower frequency when module is inactive. 1'b0: Disable auto switch function.
12	RW	0x0	aclk_center_s200_root_autocs_en autocs_en 1'b1: Enable aclk_center_s200_root switch to lower frequency. 1'b0: Disable.
11:0	RW	0x000	aclk_center_s200_root_autocs_ctrl autocs_ctrl 12'hfff: Enable aclk_center_s200_root switch to lower frequency. 12'h000: Disable. Others: Reserved.

**CRU AUTOCS HCLK SDIO ROOT CON0**

Address: Operational Base + offset (0x0F18)

Bit	Attr	Reset Value	Description
31:16	RW	0x0020	hclk_sdio_root_wait_th wait_th Wait time threshold, measured by original clk.
15:0	RW	0x0004	hclk_sdio_root_idle_th idle_th Idle time threshold, measured by original clk.

**CRU AUTOCS HCLK SDIO ROOT CON1**

Address: Operational Base + offset (0x0F1C)

Bit	Attr	Reset Value	Description
31:16	WO	0x0000	write_enable Write enable for lower 16 bits, each bit is individual. 1'b0: Write access disable 1'b1: Write access enable

Bit	Attr	Reset Value	Description
15:14	RW	0x0	hclk_sdio_root_clkssel_cfg clkssel_cfg Auto switch clock selection. 2'b00: Original clk 2'b01: xin_osc0_func_div 2'b10: clk_rtc_32k
13	RW	0x0	hclk_sdio_root_switch_en switch_en 1'b1: Enable hclk_sdio_root switched to lower frequency when module is inactive. 1'b0: Disable auto switch function.
12	RW	0x0	hclk_sdio_root_autocs_en autocs_en 1'b1: Enable hclk_sdio_root switch to lower frequency. 1'b0: Disable.
11:0	RW	0x000	hclk_sdio_root_autocs_ctrl autocs_ctrl 12'hfff: Enable hclk_sdio_root switch to lower frequency. 12'h000: Disable. Others: Reserved.

**CRU AUTOCS HCLK RGA3 ROOT CON0**

Address: Operational Base + offset (0x0F20)

Bit	Attr	Reset Value	Description
31:16	RW	0x0020	hclk_rga3_root_wait_th wait_th Wait time threshold, measured by original clk.
15:0	RW	0x0004	hclk_rga3_root_idle_th idle_th Idle time threshold, measured by original clk.

**CRU AUTOCS HCLK RGA3 ROOT CON1**

Address: Operational Base + offset (0x0F24)

Bit	Attr	Reset Value	Description
31:16	WO	0x0000	write_enable Write enable for lower 16 bits, each bit is individual. 1'b0: Write access disable 1'b1: Write access enable
15:14	RW	0x0	hclk_rga3_root_clkssel_cfg clkssel_cfg Auto switch clock selection. 2'b00: Original clk 2'b01: xin_osc0_func_div 2'b10: clk_rtc_32k
13	RW	0x0	hclk_rga3_root_switch_en switch_en 1'b1: Enable hclk_rga3_root switched to lower frequency when module is inactive. 1'b0: Disable auto switch function.
12	RW	0x0	hclk_rga3_root_autocs_en autocs_en 1'b1: Enable hclk_rga3_root switch to lower frequency. 1'b0: Disable.

Bit	Attr	Reset Value	Description
11:0	RW	0x000	hclk_rga3_root_autocs_ctrl autocs_ctrl 12'hfff: Enable hclk_rga3_root switch to lower frequency. 12'h000: Disable. Others: Reserved.

**CRU AUTOCS HCLK VO1USB TOP ROOT CON0**

Address: Operational Base + offset (0x0F28)

Bit	Attr	Reset Value	Description
31:16	RW	0x0020	hclk_vo1usb_top_root_wait_th wait_th Wait time threshold, measured by original clk.
15:0	RW	0x0004	hclk_vo1usb_top_root_idle_th idle_th Idle time threshold, measured by original clk.

**CRU AUTOCS HCLK VO1USB TOP ROOT CON1**

Address: Operational Base + offset (0x0F2C)

Bit	Attr	Reset Value	Description
31:16	WO	0x0000	write_enable Write enable for lower 16 bits, each bit is individual. 1'b0: Write access disable 1'b1: Write access enable
15:14	RW	0x0	hclk_vo1usb_top_root_clkssel_cfg clkssel_cfg Auto switch clock selection. 2'b00: Original clk 2'b01: xin_osc0_func_div 2'b10: clk_rtc_32k
13	RW	0x0	hclk_vo1usb_top_root_switch_en switch_en 1'b1: Enable hclk_vo1usb_top_root switched to lower frequency when module is inactive. 1'b0: Disable auto switch function.
12	RW	0x0	hclk_vo1usb_top_root_autocs_en autocs_en 1'b1: Enable hclk_vo1usb_top_root switch to lower frequency. 1'b0: Disable.
11:0	RW	0x000	hclk_vo1usb_top_root_autocs_ctrl autocs_ctrl 12'hfff: Enable hclk_vo1usb_top_root switch to lower frequency. 12'h000: Disable. Others: Reserved.

**CRU AUTOCS ACLK TOP M300 ROOT CON0**

Address: Operational Base + offset (0x0F30)

Bit	Attr	Reset Value	Description
31:16	RW	0x0020	aclk_top_m300_root_wait_th wait_th Wait time threshold, measured by original clk.
15:0	RW	0x0004	aclk_top_m300_root_idle_th idle_th Idle time threshold, measured by original clk.

**CRU AUTOCS ACLK TOP M300 ROOT CON1**

**RK3588 TRM-Part1**

Address: Operational Base + offset (0x0F34)

Bit	Attr	Reset Value	Description
31:16	WO	0x0000	write_enable Write enable for lower 16 bits, each bit is individual. 1'b0: Write access disable 1'b1: Write access enable
15:14	RW	0x0	aclk_top_m300_root_clkssel_cfg clkssel_cfg Auto switch clock selection. 2'b00: Original clk 2'b01: xin_osc0_func_div 2'b10: clk_rtc_32k
13	RW	0x0	aclk_top_m300_root_switch_en switch_en 1'b1: Enable aclk_top_m300_root switched to lower frequency when module is inactive. 1'b0: Disable auto switch function.
12	RW	0x0	aclk_top_m300_root_autocs_en autocs_en 1'b1: Enable aclk_top_m300_root switch to lower frequency. 1'b0: Disable.
11:0	RW	0x000	aclk_top_m300_root_autocs_ctrl autocs_ctrl 12'hfff: Enable aclk_top_m300_root switch to lower frequency. 12'h000: Disable. Others: Reserved.

**CRU AUTOCS CLK RKNN DSU0 SRC T CON0**

Address: Operational Base + offset (0x0F38)

Bit	Attr	Reset Value	Description
31:16	RW	0x0020	clk_rknn_dsu0_src_t_wait_th wait_th Wait time threshold, measured by original clk.
15:0	RW	0x0004	clk_rknn_dsu0_src_t_idle_th idle_th Idle time threshold, measured by original clk.

**CRU AUTOCS CLK RKNN DSU0 SRC T CON1**

Address: Operational Base + offset (0x0F3C)

Bit	Attr	Reset Value	Description
31:16	WO	0x0000	write_enable Write enable for lower 16 bits, each bit is individual. 1'b0: Write access disable 1'b1: Write access enable
15:14	RW	0x0	clk_rknn_dsu0_src_t_clkssel_cfg clkssel_cfg Auto switch clock selection. 2'b00: Original clk 2'b01: xin_osc0_func_div 2'b10: clk_rtc_32k
13	RW	0x0	clk_rknn_dsu0_src_t_switch_en switch_en 1'b1: Enable clk_rknn_dsu0_src_t switched to lower frequency when module is inactive. 1'b0: Disable auto switch function.



Bit	Attr	Reset Value	Description
12	RW	0x0	clk_rknn_dsu0_src_t_autocs_en autocs_en 1'b1: Enable clk_rknn_dsu0_src_t switch to lower frequency. 1'b0: Disable.
11:0	RW	0x000	clk_rknn_dsu0_src_t_autocs_ctrl autocs_ctrl 12'hfff: Enable clk_rknn_dsu0_src_t switch to lower frequency. 12'h000: Disable. Others: Reserved.

**CRU AUTOCS HCLK AUDIO ROOT CON0**

Address: Operational Base + offset (0x0F40)

Bit	Attr	Reset Value	Description
31:16	RW	0x0020	hclk_audio_root_wait_th wait_th Wait time threshold, measured by original clk.
15:0	RW	0x0004	hclk_audio_root_idle_th idle_th Idle time threshold, measured by original clk.

**CRU AUTOCS HCLK AUDIO ROOT CON1**

Address: Operational Base + offset (0x0F44)

Bit	Attr	Reset Value	Description
31:16	WO	0x0000	write_enable Write enable for lower 16 bits, each bit is individual. 1'b0: Write access disable 1'b1: Write access enable
15:14	RW	0x0	hclk_audio_root_clkssel_cfg clkssel_cfg Auto switch clock selection. 2'b00: Original clk 2'b01: xin_osc0_func_div 2'b10: clk_rtc_32k
13	RW	0x0	hclk_audio_root_switch_en switch_en 1'b1: Enable hclk_audio_root switched to lower frequency when module is inactive. 1'b0: Disable auto switch function.
12	RW	0x0	hclk_audio_root_autocs_en autocs_en 1'b1: Enable hclk_audio_root switch to lower frequency. 1'b0: Disable.
11:0	RW	0x000	hclk_audio_root_autocs_ctrl autocs_ctrl 12'hfff: Enable hclk_audio_root switch to lower frequency. 12'h000: Disable. Others: Reserved.

**CRU AUTOCS PCLK AUDIO ROOT CON0**

Address: Operational Base + offset (0x0F48)

Bit	Attr	Reset Value	Description
31:16	RW	0x0020	pclk_audio_root_wait_th wait_th Wait time threshold, measured by original clk.

Bit	Attr	Reset Value	Description
15:0	RW	0x0004	pclk_audio_root_idle_th idle_th Idle time threshold, measured by original clk.

### **CRU\_AUTOCS\_PCLK\_AUDIO\_ROOT\_CON1**

Address: Operational Base + offset (0x0F4C)

Bit	Attr	Reset Value	Description
31:16	WO	0x0000	write_enable Write enable for lower 16 bits, each bit is individual. 1'b0: Write access disable 1'b1: Write access enable
15:14	RW	0x0	pclk_audio_root_clkssel_cfg clkssel_cfg Auto switch clock selection. 2'b00: Original clk 2'b01: xin_osc0_func_div 2'b10: clk_rtc_32k
13	RW	0x0	pclk_audio_root_switch_en switch_en 1'b1: Enable pclk_audio_root switched to lower frequency when module is inactive. 1'b0: Disable auto switch function.
12	RW	0x0	pclk_audio_root_autocs_en autocs_en 1'b1: Enable pclk_audio_root switch to lower frequency. 1'b0: Disable.
11:0	RW	0x000	pclk_audio_root_autocs_ctrl autocs_ctrl 12'hfff: Enable pclk_audio_root switch to lower frequency. 12'h000: Disable. Others: Reserved.

## **2.5 DDR0CRU Register Description**

### **2.5.1 Registers Summary**

Name	Offset	Size	Reset Value	Description
<u>DDR0CRU_D0APLL_CON0</u>	0x0000	W	0x00008000	D0APLL configuration register 0
<u>DDR0CRU_D0APLL_CON1</u>	0x0004	W	0x00000000	D0APLL configuration register 1
<u>DDR0CRU_D0APLL_CON2</u>	0x0008	W	0x00000000	D0APLL configuration register 2
<u>DDR0CRU_D0APLL_CON3</u>	0x000C	W	0x00000000	D0APLL configuration register 3
<u>DDR0CRU_D0APLL_CON4</u>	0x0010	W	0x00000000	D0APLL configuration register 4
<u>DDR0CRU_D0APLL_CON5</u>	0x0014	W	0x00000000	D0APLL configuration register 5
<u>DDR0CRU_D0APLL_CON6</u>	0x0018	W	0x00000000	D0APLL configuration register 6
<u>DDR0CRU_D0BPLL_CON0</u>	0x0020	W	0x00008000	D0BPLL configuration register 0
<u>DDR0CRU_D0BPLL_CON1</u>	0x0024	W	0x00000000	D0BPLL configuration register 1
<u>DDR0CRU_D0BPLL_CON2</u>	0x0028	W	0x00000000	D0BPLL configuration register 2
<u>DDR0CRU_D0BPLL_CON3</u>	0x002C	W	0x00000000	D0BPLL configuration register 3
<u>DDR0CRU_D0BPLL_CON4</u>	0x0030	W	0x00000000	D0BPLL configuration register 4
<u>DDR0CRU_D0BPLL_CON5</u>	0x0034	W	0x00000000	D0BPLL configuration register 5
<u>DDR0CRU_D0BPLL_CON6</u>	0x0038	W	0x00000000	D0BPLL configuration register 6

Name	Offset	Size	Reset Value	Description
<u>DDR0CRU_CLKSEL_CON0</u> 0	0x0300	W	0x00000000	Internal clock select and division register 0
<u>DDR0CRU_GATE_CON00</u>	0x0800	W	0x00000000	Internal clock gate and division register 0
<u>DDR0CRU_SOFTRST_CON</u> 00	0x0A00	W	0x00000006	Internal clock reset register 0

Notes: **Size: B**- Byte (8 bits) access, **HW**- Half WORD (16 bits) access, **W**-WORD (32 bits) access, **DW**- Double WORD (64 bits) access

## 2.5.2 Detail Registers Description

### **DDR0CRU\_D0APLL\_CON0**

Address: Operational Base + offset (0x0000)

Bit	Attr	Reset Value	Description
31:16	WO	0x0000	write_enable Write enable for lower 16 bits, each bit is individual. 1'b0: Write access disable 1'b1: Write access enable
15	RW	0x1	d0apll_bp BYPASS: Bypass mode control signal. 1'b1: bypass mode is enabled. (FOUT = FIN). 1'b0: PLL operates normally.
14:10	RO	0x00	reserved
9:0	RW	0x000	d0apll_m M: Division value of the 10-bit programmable main-divider. PLL has to be reset if M value is changed. 64 <= pll_m <= 1023

### **DDR0CRU\_D0APLL\_CON1**

Address: Operational Base + offset (0x0004)

Bit	Attr	Reset Value	Description
31:16	WO	0x0000	write_enable Write enable for lower 16 bits, each bit is individual. 1'b0: Write access disable 1'b1: Write access enable
15:14	RO	0x0	reserved
13	RW	0x0	d0apll_reseta RESETA: Power down control signal. 1'b0: RESETA=0 from 1, PLL starts its normal operation after lock time. 1'b1: RESETA=1, power down mode is enabled and all digital blocks are reset.
12:9	RO	0x0	reserved
8:6	RW	0x0	d0apll_s Division value of the 3-bit programmable scaler. 0 <= pll_s <= 6
5:0	RW	0x00	d0apll_p P: Division value of the 6-bit programmable pre-divider. PLL has to be reset if P value is changed. 1 <= pll_p <= 63

### **DDR0CRU\_D0APLL\_CON2**

Address: Operational Base + offset (0x0008)

Bit	Attr	Reset Value	Description
31:16	RO	0x0000	reserved

Bit	Attr	Reset Value	Description
15:0	RW	0x0000	d0apll_k K: Value of 16-bit DSM. pll_k[15:0] is a two's complement integer.

**DDR0CRU D0APLL CON3**

Address: Operational Base + offset (0x000C)

Bit	Attr	Reset Value	Description
31:16	WO	0x0000	write_enable Write enable for lower 16 bits, each bit is individual. 1'b0: Write access disable 1'b1: Write access enable
15:14	RW	0x0	d0apll_sel_pf SEL_PF: Value of 2-bit modulation method control. 2'b00: down spread; 2'b01: up spread; 2'b1x: center spread. PLL has to be reset if pll_sel_pf is changed.
13:8	RW	0x00	d0apll_mrr MRR: Value of 6-bit modulation rate control. PLL has to be reset if pll_mrr is changed.
7:0	RW	0x00	d0apll_mfr MFR: Value of 8-bit modulation frequency control. PLL has to be reset if pll_mfr is changed.

**DDR0CRU D0APLL CON4**

Address: Operational Base + offset (0x0010)

Bit	Attr	Reset Value	Description
31:16	WO	0x0000	write_enable Write enable for lower 16 bits, each bit is individual. 1'b0: Write access disable 1'b1: Write access enable
15	RW	0x0	d0apll_fsel FSEL: Monitoring pin. 1'b0: FEED_OUT = FREF. 1'b1: FEED_OUT = FEED.
14	RW	0x0	d0apll_feed_en FEED_EN: Monitoring pin. 1'b0: FEED_OUT is disabled. 1'b1: FEED_OUT is enabled.
13:9	RO	0x00	reserved
8:4	RW	0x00	d0apll_extafc EXTAFC: Monitoring pin. If pll_afc_enb=1, AFC is disabled and VCO is calibrated manually by pll_extafc[4:0] for the test of VCO range.
3	RW	0x0	d0apll_afc_enb AFC_ENB: Monitoring pin. 1'b0: AFC is enabled and VCO is calibrated automatically. 1'b1: AFC is disabled and VCO is calibrated manually by pll_extafc[4:0] for the test of VCO range.
2:1	RO	0x0	reserved
0	RW	0x0	d0apll_sscg_en SSCG_EN: Enable pin for dithered mode. 1'b0: disable dithered mode. 1'b1: enable dithered mode.

**DDR0CRU D0APLL CON5**

Address: Operational Base + offset (0x0014)

Bit	Attr	Reset Value	Description
31:16	WO	0x0000	write_enable Write enable for lower 16 bits, each bit is individual. 1'b0: Write access disable 1'b1: Write access enable
15:1	RO	0x0000	reserved
0	RW	0x0	d0apll_fout_mask FOUT_MASK: Scaler's re-initialization time control pin.

**DDR0CRU D0APLL CON6**

Address: Operational Base + offset (0x0018)

Bit	Attr	Reset Value	Description
31:16	WO	0x0000	write_enable Write enable for lower 16 bits, each bit is individual. 1'b0: Write access disable 1'b1: Write access enable
15	RW	0x0	d0apll_lock LOCK: PLL lock flag. 1'b0: PLL is unlocked. 1'b1: PLL is locked.
14:10	RW	0x00	d0apll_afc_code AFC_CODE: Monitoring pin. Output code of AFC(5 bits).
9:0	RO	0x000	reserved

**DDR0CRU D0BPLL CON0**

Address: Operational Base + offset (0x0020)

Bit	Attr	Reset Value	Description
31:16	WO	0x0000	write_enable Write enable for lower 16 bits, each bit is individual. 1'b0: Write access disable 1'b1: Write access enable
15	RW	0x1	d0bpll_bp BYPASS: Bypass mode control signal. 1'b1: bypass mode is enabled. (FOUT = FIN). 1'b0: PLL operates normally.
14:10	RO	0x00	reserved
9:0	RW	0x000	d0bpll_m M: Division value of the 10-bit programmable main-divider. PLL has to be reset if M value is changed. 64 <= pll_m <= 1023

**DDR0CRU D0BPLL CON1**

Address: Operational Base + offset (0x0024)

Bit	Attr	Reset Value	Description
31:16	WO	0x0000	write_enable Write enable for lower 16 bits, each bit is individual. 1'b0: Write access disable 1'b1: Write access enable
15:14	RO	0x0	reserved

Bit	Attr	Reset Value	Description
13	RW	0x0	d0bpll_resetb RESETB: Power down control signal. 1'b0: RESETB=0 from 1, PLL starts its normal operation after lock time. 1'b1: RESETB=1, power down mode is enabled and all digital blocks are reset.
12:9	RO	0x0	reserved
8:6	RW	0x0	d0bpll_s Division value of the 3-bit programmable scaler. 0 <= pll_s <= 6
5:0	RW	0x00	d0bpll_p P: Division value of the 6-bit programmable pre-divider. PLL has to be reset if P value is changed. 1 <= pll_p <= 63

**DDR0CRU DOBPLL CON2**

Address: Operational Base + offset (0x0028)

Bit	Attr	Reset Value	Description
31:16	RO	0x0000	reserved
15:0	RW	0x0000	d0bpll_k K: Value of 16-bit DSM. pll_k[15:0] is a two's complement integer.

**DDR0CRU DOBPLL CON3**

Address: Operational Base + offset (0x002C)

Bit	Attr	Reset Value	Description
31:16	WO	0x0000	write_enable Write enable for lower 16 bits, each bit is individual. 1'b0: Write access disable 1'b1: Write access enable
15:14	RW	0x0	d0bpll_sel_pf SEL_PF: Value of 2-bit modulation method control. 2'b00: down spread; 2'b01: up spread; 2'b1x: center spread. PLL has to be reset if pll_sel_pf is changed.
13:8	RW	0x00	d0bpll_mrr MRR: Value of 6-bit modulation rate control. PLL has to be reset if pll_mrr is changed.
7:0	RW	0x00	d0bpll_mfr MFR: Value of 8-bit modulation frequency control. PLL has to be reset if pll_mfr is changed.

**DDR0CRU DOBPLL CON4**

Address: Operational Base + offset (0x0030)

Bit	Attr	Reset Value	Description
31:16	WO	0x0000	write_enable Write enable for lower 16 bits, each bit is individual. 1'b0: Write access disable 1'b1: Write access enable
15	RW	0x0	d0bpll_fsel FSEL: Monitoring pin. 1'b0: FEED_OUT = FREF. 1'b1: FEED_OUT = FEED.

Bit	Attr	Reset Value	Description
14	RW	0x0	d0bppll_feed_en FEED_EN: Monitoring pin. 1'b0: FEED_OUT is disabled. 1'b1: FEED_OUT is enabled.
13:9	RO	0x00	reserved
8:4	RW	0x00	d0bppll_extafc EXTAFC: Monitoring pin. If pll_afc_enb=1, AFC is disabled and VCO is calibrated manually by pll_extafc[4:0] for the test of VCO range.
3	RW	0x0	d0bppll_afc_enb AFC_ENB: Monitoring pin. 1'b0: AFC is enabled and VCO is calibrated automatically. 1'b1: AFC is disabled and VCO is calibrated manually by pll_extafc[4:0] for the test of VCO range.
2:1	RO	0x0	reserved
0	RW	0x0	d0bppll_sscg_en SSCG_EN: Enable pin for dithered mode. 1'b0: disable dithered mode. 1'b1: enable dithered mode.

**DDR0CRU DOBPLL CON5**

Address: Operational Base + offset (0x0034)

Bit	Attr	Reset Value	Description
31:16	WO	0x0000	write_enable Write enable for lower 16 bits, each bit is individual. 1'b0: Write access disable 1'b1: Write access enable
15:1	RO	0x0000	reserved
0	RW	0x0	d0bppll_fout_mask FOUT_MASK: Scaler's re-initialization time control pin.

**DDR0CRU DOBPLL CON6**

Address: Operational Base + offset (0x0038)

Bit	Attr	Reset Value	Description
31:16	WO	0x0000	write_enable Write enable for lower 16 bits, each bit is individual. 1'b0: Write access disable 1'b1: Write access enable
15	RW	0x0	d0bppll_lock LOCK: PLL lock flag. 1'b0: PLL is unlocked. 1'b1: PLL is locked.
14:10	RW	0x00	d0bppll_afc_code AFC_CODE: Monitoring pin. Output code of AFC(5 bits).
9:0	RO	0x0000	reserved

**DDR0CRU CLKSEL CON00**

Address: Operational Base + offset (0x0300)

Bit	Attr	Reset Value	Description
31:16	WO	0x0000	write_enable Write enable for lower 16 bits, each bit is individual. 1'b0: Write access disable 1'b1: Write access enable
15:1	RO	0x0000	reserved

Bit	Attr	Reset Value	Description
0	RW	0x0	clk_ddsphy2x_ch0_sel clk_ddsphy2x_ch0 clock mux. 1'b0: clk_d0apll_t 1'b1: clk_d0bpll

**DDR0CRU GATE CON00**

Address: Operational Base + offset (0x0800)

Bit	Attr	Reset Value	Description
31:16	WO	0x0000	write_enable Write enable for lower 16 bits, each bit is individual. 1'b0: Write access disable 1'b1: Write access enable
15:6	RO	0x000	reserved
5	RW	0x0	clk_osc_ddsphy_ch0_en clk_osc_ddsphy_ch0 clock gating control. When high, disable clock
4	RW	0x0	pclk_ddsphy_ch0_en pclk_ddsphy_ch0 clock gating control. When high, disable clock
3	RW	0x0	pclk_ddr_cru_ch0_en pclk_ddr_cru_ch0 clock gating control. When high, disable clock
2:0	RO	0x0	reserved

**DDR0CRU SOFTRST CON00**

Address: Operational Base + offset (0x0A00)

Bit	Attr	Reset Value	Description
31:16	WO	0x0000	write_enable Write enable for lower 16 bits, each bit is individual. 1'b0: Write access disable 1'b1: Write access enable
15:5	RO	0x000	reserved
4	RW	0x0	preseln_ddsphy_ch0 When high, reset relative logic
3	RW	0x0	preseln_ddr_cru_ch0 When high, reset relative logic
2	RW	0x1	reseln_ddsphy2x_ch0 When high, reset relative logic
1	RW	0x1	reseln_ddsphy2xdiv_ch0 div_rst_n at ddr ch0 When high, reset relative logic
0	RO	0x0	reserved

**2.6 DDR1CRU Register Description**

**2.6.1 Registers Summary**

Name	Offset	Size	Reset Value	Description
DDR1CRU_D1APLL_CON0	0x0000	W	0x00008000	D1APLL configuration register 0
DDR1CRU_D1APLL_CON1	0x0004	W	0x00000000	D1APLL configuration register 1
DDR1CRU_D1APLL_CON2	0x0008	W	0x00000000	D1APLL configuration register 2
DDR1CRU_D1APLL_CON3	0x000C	W	0x00000000	D1APLL configuration register 3



Name	Offset	Size	Reset Value	Description
DDR1CRU_D1APLL_CON4	0x0010	W	0x00000000	D1APLL configuration register 4
DDR1CRU_D1APLL_CON5	0x0014	W	0x00000000	D1APLL configuration register 5
DDR1CRU_D1APLL_CON6	0x0018	W	0x00000000	D1APLL configuration register 6
DDR1CRU_D1BPLL_CON0	0x0020	W	0x00008000	D1BPLL configuration register 0
DDR1CRU_D1BPLL_CON1	0x0024	W	0x00000000	D1BPLL configuration register 1
DDR1CRU_D1BPLL_CON2	0x0028	W	0x00000000	D1BPLL configuration register 2
DDR1CRU_D1BPLL_CON3	0x002C	W	0x00000000	D1BPLL configuration register 3
DDR1CRU_D1BPLL_CON4	0x0030	W	0x00000000	D1BPLL configuration register 4
DDR1CRU_D1BPLL_CON5	0x0034	W	0x00000000	D1BPLL configuration register 5
DDR1CRU_D1BPLL_CON6	0x0038	W	0x00000000	D1BPLL configuration register 6
DDR1CRU_CLKSEL_CON0_0	0x0300	W	0x00000000	Internal clock select and division register 0
DDR1CRU_GATE_CON00	0x0800	W	0x00000000	Internal clock gate and division register 0
DDR1CRU_SOFTRST_CON00	0x0A00	W	0x00000006	Internal clock reset register 0

Notes: **Size:** **B**- Byte (8 bits) access, **HW**- Half WORD (16 bits) access, **W**-WORD (32 bits) access, **DW**- Double WORD (64 bits) access

## 2.6.2 Detail Registers Description

### DDR1CRU\_D1APLL\_CON0

Address: Operational Base + offset (0x0000)

Bit	Attr	Reset Value	Description
31:16	WO	0x0000	write_enable Write enable for lower 16 bits, each bit is individual. 1'b0: Write access disable 1'b1: Write access enable
15	RW	0x1	d1apll_bp BYPASS: Bypass mode control signal. 1'b1: bypass mode is enabled. (FOUT = FIN). 1'b0: PLL operates normally.
14:10	RO	0x00	reserved
9:0	RW	0x000	d1apll_m M: Division value of the 10-bit programmable main-divider. PLL has to be reset if M value is changed. 64 <= pll_m <= 1023

### DDR1CRU\_D1APLL\_CON1

Address: Operational Base + offset (0x0004)

Bit	Attr	Reset Value	Description
31:16	WO	0x0000	write_enable Write enable for lower 16 bits, each bit is individual. 1'b0: Write access disable 1'b1: Write access enable
15:14	RO	0x0	reserved
13	RW	0x0	d1apll_resetb RESETB: Power down control signal. 1'b0: RESETB=0 from 1, PLL starts its normal operation after lock time. 1'b1: RESETB=1, power down mode is enabled and all digital blocks are reset.
12:9	RO	0x0	reserved

Bit	Attr	Reset Value	Description
8:6	RW	0x0	d1apll_s Division value of the 3-bit programmable scaler. $0 \leq \text{pll\_s} \leq 6$
5:0	RW	0x00	d1apll_p P: Division value of the 6-bit programmable pre-divider. PLL has to be reset if P value is changed. $1 \leq \text{pll\_p} \leq 63$

**DDR1CRU D1APLL CON2**

Address: Operational Base + offset (0x0008)

Bit	Attr	Reset Value	Description
31:16	RO	0x0000	reserved
15:0	RW	0x0000	d1apll_k K: Value of 16-bit DSM. pll_k[15:0] is a two's complement integer.

**DDR1CRU D1APLL CON3**

Address: Operational Base + offset (0x000C)

Bit	Attr	Reset Value	Description
31:16	WO	0x0000	write_enable Write enable for lower 16 bits, each bit is individual. 1'b0: Write access disable 1'b1: Write access enable
15:14	RW	0x0	d1apll_sel_pf SEL_PF: Value of 2-bit modulation method control. 2'b00: down spread; 2'b01: up spread; 2'b1x: center spread. PLL has to be reset if pll_sel_pf is changed.
13:8	RW	0x00	d1apll_mrr MRR: Value of 6-bit modulation rate control. PLL has to be reset if pll_mrr is changed.
7:0	RW	0x00	d1apll_mfr MFR: Value of 8-bit modulation frequency control. PLL has to be reset if pll_mfr is changed.

**DDR1CRU D1APLL CON4**

Address: Operational Base + offset (0x0010)

Bit	Attr	Reset Value	Description
31:16	WO	0x0000	write_enable Write enable for lower 16 bits, each bit is individual. 1'b0: Write access disable 1'b1: Write access enable
15	RW	0x0	d1apll_fsel FSEL: Monitoring pin. 1'b0: FEED_OUT = FREF. 1'b1: FEED_OUT = FEED.
14	RW	0x0	d1apll_feed_en FEED_EN: Monitoring pin. 1'b0: FEED_OUT is disabled. 1'b1: FEED_OUT is enabled.
13:9	RO	0x00	reserved

Bit	Attr	Reset Value	Description
8:4	RW	0x00	d1apll_extafc EXTAFC: Monitoring pin. If pll_afc_enb=1, AFC is disabled and VCO is calibrated manually by pll_extafc[4:0] for the test of VCO range.
3	RW	0x0	d1apll_afc_enb AFC_ENB: Monitoring pin. 1'b0: AFC is enabled and VCO is calibrated automatically. 1'b1: AFC is disabled and VCO is calibrated manually by pll_extafc[4:0] for the test of VCO range.
2:1	RO	0x0	reserved
0	RW	0x0	d1apll_sscg_en SSCG_EN: Enable pin for dithered mode. 1'b0: disable dithered mode. 1'b1: enable dithered mode.

**DDR1CRU D1APLL CON5**

Address: Operational Base + offset (0x0014)

Bit	Attr	Reset Value	Description
31:16	WO	0x0000	write_enable Write enable for lower 16 bits, each bit is individual. 1'b0: Write access disable 1'b1: Write access enable
15:1	RO	0x0000	reserved
0	RW	0x0	d1apll_fout_mask FOUT_MASK: Scaler's re-initialization time control pin.

**DDR1CRU D1APLL CON6**

Address: Operational Base + offset (0x0018)

Bit	Attr	Reset Value	Description
31:16	WO	0x0000	write_enable Write enable for lower 16 bits, each bit is individual. 1'b0: Write access disable 1'b1: Write access enable
15	RW	0x0	d1apll_lock LOCK: PLL lock flag. 1'b0: PLL is unlocked. 1'b1: PLL is locked.
14:10	RW	0x00	d1apll_afc_code AFC_CODE: Monitoring pin. Output code of AFC(5 bits).
9:0	RO	0x0000	reserved

**DDR1CRU D1BPLL CON0**

Address: Operational Base + offset (0x0020)

Bit	Attr	Reset Value	Description
31:16	WO	0x0000	write_enable Write enable for lower 16 bits, each bit is individual. 1'b0: Write access disable 1'b1: Write access enable
15	RW	0x1	d1bpll_bp BYPASS: Bypass mode control signal. 1'b1: bypass mode is enabled. (FOUT = FIN). 1'b0: PLL operates normally.
14:10	RO	0x00	reserved

Bit	Attr	Reset Value	Description
9:0	RW	0x000	d1bppll_m M: Division value of the 10-bit programmable main-divider. PLL has to be reset if M value is changed. 64 <= pll_m <= 1023

**DDR1CRU D1BPPLL CON1**

Address: Operational Base + offset (0x0024)

Bit	Attr	Reset Value	Description
31:16	WO	0x0000	write_enable Write enable for lower 16 bits, each bit is individual. 1'b0: Write access disable 1'b1: Write access enable
15:14	RO	0x0	reserved
13	RW	0x0	d1bppll_resetb RESETB: Power down control signal. 1'b0: RESETB=0 from 1, PLL starts its normal operation after lock time. 1'b1: RESETB=1, power down mode is enabled and all digital blocks are reset.
12:9	RO	0x0	reserved
8:6	RW	0x0	d1bppll_s Division value of the 3-bit programmable scaler. 0 <= pll_s <= 6
5:0	RW	0x00	d1bppll_p P: Division value of the 6-bit programmable pre-divider. PLL has to be reset if P value is changed. 1 <= pll_p <= 63

**DDR1CRU D1BPPLL CON2**

Address: Operational Base + offset (0x0028)

Bit	Attr	Reset Value	Description
31:16	RO	0x0000	reserved
15:0	RW	0x0000	d1bppll_k K: Value of 16-bit DSM. pll_k[15:0] is a two's complement integer.

**DDR1CRU D1BPPLL CON3**

Address: Operational Base + offset (0x002C)

Bit	Attr	Reset Value	Description
31:16	WO	0x0000	write_enable Write enable for lower 16 bits, each bit is individual. 1'b0: Write access disable 1'b1: Write access enable
15:14	RW	0x0	d1bppll_sel_pf SEL_PF: Value of 2-bit modulation method control. 2'b00: down spread; 2'b01: up spread; 2'b1x: center spread. PLL has to be reset if pll_sel_pf is changed.
13:8	RW	0x00	d1bppll_mrr MRR: Value of 6-bit modulation rate control. PLL has to be reset if pll_mrr is changed.
7:0	RW	0x00	d1bppll_mfr MFR: Value of 8-bit modulation frequency control. PLL has to be reset if pll_mfr is changed.

**DDR1CRU D1BPLL CON4**

Address: Operational Base + offset (0x0030)

Bit	Attr	Reset Value	Description
31:16	WO	0x0000	write_enable Write enable for lower 16 bits, each bit is individual. 1'b0: Write access disable 1'b1: Write access enable
15	RW	0x0	d1bpll_fsel FSEL: Monitoring pin. 1'b0: FEED_OUT = FREF. 1'b1: FEED_OUT = FEED.
14	RW	0x0	d1bpll_feed_en FEED_EN: Monitoring pin. 1'b0: FEED_OUT is disabled. 1'b1: FEED_OUT is enabled.
13:9	RO	0x00	reserved
8:4	RW	0x00	d1bpll_extafc EXTAFC: Monitoring pin. If pll_afc_enb=1, AFC is disabled and VCO is calibrated manually by pll_extafc[4:0] for the test of VCO range.
3	RW	0x0	d1bpll_afc_enb AFC_ENB: Monitoring pin. 1'b0: AFC is enabled and VCO is calibrated automatically. 1'b1: AFC is disabled and VCO is calibrated manually by pll_extafc[4:0] for the test of VCO range.
2:1	RO	0x0	reserved
0	RW	0x0	d1bpll_sscg_en SSCG_EN: Enable pin for dithered mode. 1'b0: disable dithered mode. 1'b1: enable dithered mode.

**DDR1CRU D1BPLL CON5**

Address: Operational Base + offset (0x0034)

Bit	Attr	Reset Value	Description
31:16	WO	0x0000	write_enable Write enable for lower 16 bits, each bit is individual. 1'b0: Write access disable 1'b1: Write access enable
15:1	RO	0x0000	reserved
0	RW	0x0	d1bpll_fout_mask FOUT_MASK: Scaler's re-initialization time control pin.

**DDR1CRU D1BPLL CON6**

Address: Operational Base + offset (0x0038)

Bit	Attr	Reset Value	Description
31:16	WO	0x0000	write_enable Write enable for lower 16 bits, each bit is individual. 1'b0: Write access disable 1'b1: Write access enable
15	RW	0x0	d1bpll_lock LOCK: PLL lock flag. 1'b0: PLL is unlocked. 1'b1: PLL is locked.

Bit	Attr	Reset Value	Description
14:10	RW	0x00	d1bpll_afc_code AFC_CODE: Monitoring pin. Output code of AFC(5 bits).
9:0	RO	0x000	reserved

**DDR1CRU CLKSEL CON00**

Address: Operational Base + offset (0x0300)

Bit	Attr	Reset Value	Description
31:16	WO	0x0000	write_enable Write enable for lower 16 bits, each bit is individual. 1'b0: Write access disable 1'b1: Write access enable
15:1	RO	0x0000	reserved
0	RW	0x0	clk_ddrphy2x_ch1_sel clk_ddrphy2x_ch1 clock mux. 1'b0: clk_d1apll_t 1'b1: clk_d1bpll

**DDR1CRU GATE CON00**

Address: Operational Base + offset (0x0800)

Bit	Attr	Reset Value	Description
31:16	WO	0x0000	write_enable Write enable for lower 16 bits, each bit is individual. 1'b0: Write access disable 1'b1: Write access enable
15:6	RO	0x000	reserved
5	RW	0x0	clk_osc_ddrphy_ch1_en clk_osc_ddrphy_ch1 clock gating control. When high, disable clock
4	RW	0x0	pclk_ddrphy_ch1_en pclk_ddrphy_ch1 clock gating control. When high, disable clock
3	RW	0x0	pclk_ddr_cru_ch1_en pclk_ddr_cru_ch1 clock gating control. When high, disable clock
2:0	RO	0x0	reserved

**DDR1CRU SOFTRST CON00**

Address: Operational Base + offset (0x0A00)

Bit	Attr	Reset Value	Description
31:16	WO	0x0000	write_enable Write enable for lower 16 bits, each bit is individual. 1'b0: Write access disable 1'b1: Write access enable
15:5	RO	0x000	reserved
4	RW	0x0	presetn_ddrphy_ch1 When high, reset relative logic
3	RW	0x0	presetn_ddr_cru_ch1 When high, reset relative logic
2	RW	0x1	resetrn_ddrphy2x_ch1 When high, reset relative logic
1	RW	0x1	resetrn_ddrphy2xdiv_ch1 div_rst_n at ddr ch1 When high, reset relative logic

Bit	Attr	Reset Value	Description
0	RO	0x0	reserved

## 2.7 DDR2CRU Register Description

### 2.7.1 Registers Summary

Name	Offset	Size	Reset Value	Description
DDR2CRU_D2APLL_CON0	0x0000	W	0x00008000	D2APLL configuration register 0
DDR2CRU_D2APLL_CON1	0x0004	W	0x00000000	D2APLL configuration register 1
DDR2CRU_D2APLL_CON2	0x0008	W	0x00000000	D2APLL configuration register 2
DDR2CRU_D2APLL_CON3	0x000C	W	0x00000000	D2APLL configuration register 3
DDR2CRU_D2APLL_CON4	0x0010	W	0x00000000	D2APLL configuration register 4
DDR2CRU_D2APLL_CON5	0x0014	W	0x00000000	D2APLL configuration register 5
DDR2CRU_D2APLL_CON6	0x0018	W	0x00000000	D2APLL configuration register 6
DDR2CRU_D2BPLL_CON0	0x0020	W	0x00008000	D2BPLL configuration register 0
DDR2CRU_D2BPLL_CON1	0x0024	W	0x00000000	D2BPLL configuration register 1
DDR2CRU_D2BPLL_CON2	0x0028	W	0x00000000	D2BPLL configuration register 2
DDR2CRU_D2BPLL_CON3	0x002C	W	0x00000000	D2BPLL configuration register 3
DDR2CRU_D2BPLL_CON4	0x0030	W	0x00000000	D2BPLL configuration register 4
DDR2CRU_D2BPLL_CON5	0x0034	W	0x00000000	D2BPLL configuration register 5
DDR2CRU_D2BPLL_CON6	0x0038	W	0x00000000	D2BPLL configuration register 6
DDR2CRU_CLKSEL_CON0_0	0x0300	W	0x00000000	Internal clock select and division register 0
DDR2CRU_GATE_CON00	0x0800	W	0x00000000	Internal clock gate and division register 0
DDR2CRU_SOFTRST_CON00	0x0A00	W	0x00000006	Internal clock reset register 0

Notes: **Size:** **B**- Byte (8 bits) access, **HW**- Half WORD (16 bits) access, **W**-WORD (32 bits) access, **DW**- Double WORD (64 bits) access

### 2.7.2 Detail Registers Description

#### DDR2CRU\_D2APLL\_CON0

Address: Operational Base + offset (0x0000)

Bit	Attr	Reset Value	Description
31:16	WO	0x0000	write_enable Write enable for lower 16 bits, each bit is individual. 1'b0: Write access disable 1'b1: Write access enable
15	RW	0x1	d2apll_bp BYPASS: Bypass mode control signal. 1'b1: bypass mode is enabled. (FOUT = FIN). 1'b0: PLL operates normally.
14:10	RO	0x00	reserved
9:0	RW	0x000	d2apll_m M: Division value of the 10-bit programmable main-divider. PLL has to be reset if M value is changed. 64 <= pll_m <= 1023

#### DDR2CRU\_D2APLL\_CON1

Address: Operational Base + offset (0x0004)

Bit	Attr	Reset Value	Description
31:16	WO	0x0000	write_enable Write enable for lower 16 bits, each bit is individual. 1'b0: Write access disable 1'b1: Write access enable
15:14	RO	0x0	reserved
13	RW	0x0	d2apll_resetb RESETB: Power down control signal. 1'b0: RESETB=0 from 1, PLL starts its normal operation after lock time. 1'b1: RESETB=1, power down mode is enabled and all digital blocks are reset
12:9	RO	0x0	reserved
8:6	RW	0x0	d2apll_s Division value of the 3-bit programmable scaler. 0 ≤ pll_s ≤ 6
5:0	RW	0x00	d2apll_p P: Division value of the 6-bit programmable pre-divider. PLL has to be reset if P value is changed. 1 ≤ pll_p ≤ 63

**DDR2CRU D2APLL CON2**

Address: Operational Base + offset (0x0008)

Bit	Attr	Reset Value	Description
31:16	RO	0x0000	reserved
15:0	RW	0x0000	d2apll_k K: Value of 16-bit DSM. pll_k[15:0] is a two's complement integer.

**DDR2CRU D2APLL CON3**

Address: Operational Base + offset (0x000C)

Bit	Attr	Reset Value	Description
31:16	WO	0x0000	write_enable Write enable for lower 16 bits, each bit is individual. 1'b0: Write access disable 1'b1: Write access enable
15:14	RW	0x0	d2apll_sel_pf SEL_PF: Value of 2-bit modulation method control. 2'b00: down spread; 2'b01: up spread; 2'b1x: center spread. PLL has to be reset if pll_sel_pf is changed.
13:8	RW	0x00	d2apll_mrr MRR: Value of 6-bit modulation rate control. PLL has to be reset if pll_mrr is changed.
7:0	RW	0x00	d2apll_mfr MFR: Value of 8-bit modulation frequency control. PLL has to be reset if pll_mfr is changed.

**DDR2CRU D2APLL CON4**

Address: Operational Base + offset (0x0010)

Bit	Attr	Reset Value	Description
31:16	WO	0x0000	write_enable Write enable for lower 16 bits, each bit is individual. 1'b0: Write access disable 1'b1: Write access enable



Bit	Attr	Reset Value	Description
15	RW	0x0	d2apll_fsel FSEL: Monitoring pin. 1'b0: FEED_OUT = FREF. 1'b1: FEED_OUT = FEED.
14	RW	0x0	d2apll_feed_en FEED_EN: Monitoring pin. 1'b0: FEED_OUT is disabled. 1'b1: FEED_OUT is enabled.
13:9	RO	0x00	reserved
8:4	RW	0x00	d2apll_extafc EXTAFC: Monitoring pin. If pll_afc_enb=1, AFC is disabled and VCO is calibrated manually by pll_extafc[4:0] for the test of VCO range.
3	RW	0x0	d2apll_afc_enb AFC_ENB: Monitoring pin. 1'b0: AFC is enabled and VCO is calibrated automatically. 1'b1: AFC is disabled and VCO is calibrated manually by pll_extafc[4:0] for the test of VCO range.
2:1	RO	0x0	reserved
0	RW	0x0	d2apll_sscg_en SSCG_EN: Enable pin for dithered mode. 1'b0: disable dithered mode. 1'b1: enable dithered mode.

**DDR2CRU D2APLL CONS**

Address: Operational Base + offset (0x0014)

Bit	Attr	Reset Value	Description
31:16	WO	0x0000	write_enable Write enable for lower 16 bits, each bit is individual. 1'b0: Write access disable 1'b1: Write access enable
15:1	RO	0x0000	reserved
0	RW	0x0	d2apll_fout_mask FOUT_MASK: Scaler's re-initialization time control pin.

**DDR2CRU D2APLL CON6**

Address: Operational Base + offset (0x0018)

Bit	Attr	Reset Value	Description
31:16	WO	0x0000	write_enable Write enable for lower 16 bits, each bit is individual. 1'b0: Write access disable 1'b1: Write access enable
15	RW	0x0	d2apll_lock LOCK: PLL lock flag. 1'b0: PLL is unlocked. 1'b1: PLL is locked.
14:10	RW	0x00	d2apll_afc_code AFC_CODE: Monitoring pin. Output code of AFC(5 bits).
9:0	RO	0x000	reserved

**DDR2CRU D2BPLL CON0**

Address: Operational Base + offset (0x0020)

Bit	Attr	Reset Value	Description
31:16	WO	0x0000	write_enable Write enable for lower 16 bits, each bit is individual. 1'b0: Write access disable 1'b1: Write access enable
15	RW	0x1	d2bpll_bp BYPASS: Bypass mode control signal. 1'b1: bypass mode is enabled. (FOUT = FIN). 1'b0: PLL operates normally.
14:10	RO	0x00	reserved
9:0	RW	0x000	d2bpll_m M: Division value of the 10-bit programmable main-divider. PLL has to be reset if M value is changed. 64 <= pll_m <= 1023

**DDR2CRU D2BPLL CON1**

Address: Operational Base + offset (0x0024)

Bit	Attr	Reset Value	Description
31:16	WO	0x0000	write_enable Write enable for lower 16 bits, each bit is individual. 1'b0: Write access disable 1'b1: Write access enable
15:14	RO	0x0	reserved
13	RW	0x0	d2bpll_resetb RESETB: Power down control signal. 1'b0: RESETB=0 from 1, PLL starts its normal operation after lock time. 1'b1: RESETB=1, power down mode is enabled and all digital blocks are reset.
12:9	RO	0x0	reserved
8:6	RW	0x0	d2bpll_s Division value of the 3-bit programmable scaler. 0 <= pll_s <= 6
5:0	RW	0x00	d2bpll_p P: Division value of the 6-bit programmable pre-divider. PLL has to be reset if P value is changed. 1 <= pll_p <= 63

**DDR2CRU D2BPLL CON2**

Address: Operational Base + offset (0x0028)

Bit	Attr	Reset Value	Description
31:16	RO	0x0000	reserved
15:0	RW	0x0000	d2bpll_k K: Value of 16-bit DSM. pll_k[15:0] is a two's complement integer.

**DDR2CRU D2BPLL CON3**

Address: Operational Base + offset (0x002C)

Bit	Attr	Reset Value	Description
31:16	WO	0x0000	write_enable Write enable for lower 16 bits, each bit is individual. 1'b0: Write access disable 1'b1: Write access enable

Bit	Attr	Reset Value	Description
15:14	RW	0x0	d2bppll_sel_pf SEL_PF: Value of 2-bit modulation method control. 2'b00: down spread; 2'b01: up spread; 2'b1x: center spread. PLL has to be reset if pll_sel_pf is changed.
13:8	RW	0x00	d2bppll_mrr MRR: Value of 6-bit modulation rate control. PLL has to be reset if pll_mrr is changed.
7:0	RW	0x00	d2bppll_mfr MFR: Value of 8-bit modulation frequency control. PLL has to be reset if pll_mfr is changed.

**DDR2CRU D2BPLL CON4**

Address: Operational Base + offset (0x0030)

Bit	Attr	Reset Value	Description
31:16	WO	0x0000	write_enable Write enable for lower 16 bits, each bit is individual. 1'b0: Write access disable 1'b1: Write access enable
15	RW	0x0	d2bppll_fsel FSEL: Monitoring pin. 1'b0: FEED_OUT = FREF. 1'b1: FEED_OUT = FEED.
14	RW	0x0	d2bppll_feed_en FEED_EN: Monitoring pin. 1'b0: FEED_OUT is disabled. 1'b1: FEED_OUT is enabled.
13:9	RO	0x00	reserved
8:4	RW	0x00	d2bppll_extafc EXTAFC: Monitoring pin. If pll_afc_enb=1, AFC is disabled and VCO is calibrated manually by pll_extafc[4:0] for the test of VCO range.
3	RW	0x0	d2bppll_afc_enb AFC_ENB: Monitoring pin. 1'b0: AFC is enabled and VCO is calibrated automatically. 1'b1: AFC is disabled and VCO is calibrated manually by pll_extafc[4:0] for the test of VCO range.
2:1	RO	0x0	reserved
0	RW	0x0	d2bppll_sscg_en SSCG_EN: Enable pin for dithered mode. 1'b0: disable dithered mode. 1'b1: enable dithered mode.

**DDR2CRU D2BPLL CON5**

Address: Operational Base + offset (0x0034)

Bit	Attr	Reset Value	Description
31:16	WO	0x0000	write_enable Write enable for lower 16 bits, each bit is individual. 1'b0: Write access disable 1'b1: Write access enable
15:1	RO	0x0000	reserved
0	RW	0x0	d2bppll_fout_mask FOUT_MASK: Scaler's re-initialization time control pin.

**DDR2CRU D2BPLL CON6**

Address: Operational Base + offset (0x0038)

Bit	Attr	Reset Value	Description
31:16	WO	0x0000	write_enable Write enable for lower 16 bits, each bit is individual. 1'b0: Write access disable 1'b1: Write access enable
15	RW	0x0	d2bpll_lock LOCK: PLL lock flag. 1'b0: PLL is unlocked. 1'b1: PLL is locked.
14:10	RW	0x00	d2bpll_afc_code AFC_CODE: Monitoring pin. Output code of AFC(5 bits).
9:0	RO	0x000	reserved

**DDR2CRU CLKSEL CON00**

Address: Operational Base + offset (0x0300)

Bit	Attr	Reset Value	Description
31:16	WO	0x0000	write_enable Write enable for lower 16 bits, each bit is individual. 1'b0: Write access disable 1'b1: Write access enable
15:1	RO	0x0000	reserved
0	RW	0x0	clk_ddrphy2x_ch2_sel clk_ddrphy2x_ch2 clock mux. 1'b0: clk_d2apll_t 1'b1: clk_d2bpll

**DDR2CRU GATE CON00**

Address: Operational Base + offset (0x0800)

Bit	Attr	Reset Value	Description
31:16	WO	0x0000	write_enable Write enable for lower 16 bits, each bit is individual. 1'b0: Write access disable 1'b1: Write access enable
15:6	RO	0x000	reserved
5	RW	0x0	clk_osc_ddrphy_ch2_en clk_osc_ddrphy_ch2 clock gating control. When high, disable clock
4	RW	0x0	pclk_ddrphy_ch2_en pclk_ddrphy_ch2 clock gating control. When high, disable clock
3	RW	0x0	pclk_ddr_cru_ch2_en pclk_ddr_cru_ch2 clock gating control. When high, disable clock
2:0	RO	0x0	reserved

**DDR2CRU SOFTRST CON00**

Address: Operational Base + offset (0x0A00)

Bit	Attr	Reset Value	Description
31:16	WO	0x0000	write_enable Write enable for lower 16 bits, each bit is individual. 1'b0: Write access disable 1'b1: Write access enable
15:5	RO	0x000	reserved

Bit	Attr	Reset Value	Description
4	RW	0x0	preseln_ddrphy_ch2 When high, reset relative logic
3	RW	0x0	preseln_ddr_cru_ch2 When high, reset relative logic
2	RW	0x1	reseln_ddrphy2x_ch2 When high, reset relative logic
1	RW	0x1	reseln_ddrphy2xdiv_ch2 div_rst_n at ddr ch2 When high, reset relative logic
0	RO	0x0	reserved

## 2.8 DDR3CRU Register Description

### 2.8.1 Registers Summary

Name	Offset	Size	Reset Value	Description
DDR3CRU_D3APLL_CON0	0x0000	W	0x00008000	D3APLL configuration register 0
DDR3CRU_D3APLL_CON1	0x0004	W	0x00000000	D3APLL configuration register 1
DDR3CRU_D3APLL_CON2	0x0008	W	0x00000000	D3APLL configuration register 2
DDR3CRU_D3APLL_CON3	0x000C	W	0x00000000	D3APLL configuration register 3
DDR3CRU_D3APLL_CON4	0x0010	W	0x00000000	D3APLL configuration register 4
DDR3CRU_D3APLL_CON5	0x0014	W	0x00000000	D3APLL configuration register 5
DDR3CRU_D3APLL_CON6	0x0018	W	0x00000000	D3APLL configuration register 6
DDR3CRU_D3BPLL_CON0	0x0020	W	0x00008000	D3BPLL configuration register 0
DDR3CRU_D3BPLL_CON1	0x0024	W	0x00000000	D3BPLL configuration register 1
DDR3CRU_D3BPLL_CON2	0x0028	W	0x00000000	D3BPLL configuration register 2
DDR3CRU_D3BPLL_CON3	0x002C	W	0x00000000	D3BPLL configuration register 3
DDR3CRU_D3BPLL_CON4	0x0030	W	0x00000000	D3BPLL configuration register 4
DDR3CRU_D3BPLL_CON5	0x0034	W	0x00000000	D3BPLL configuration register 5
DDR3CRU_D3BPLL_CON6	0x0038	W	0x00000000	D3BPLL configuration register 6
DDR3CRU_CLKSEL_CON0_0	0x0300	W	0x00000000	Internal clock select and division register 0
DDR3CRU_GATE_CON0_0	0x0800	W	0x00000000	Internal clock gate and division register 0
DDR3CRU_SOFT_RST_CON0_0	0x0A00	W	0x00000006	Internal clock reset register 0

Notes: **Size:** **B**- Byte (8 bits) access, **HW**- Half WORD (16 bits) access, **W**-WORD (32 bits) access, **DW**- Double WORD (64 bits) access

### 2.8.2 Detail Registers Description

#### DDR3CRU\_D3APLL\_CON0

Address: Operational Base + offset (0x0000)

Bit	Attr	Reset Value	Description
31:16	WO	0x0000	write_enable Write enable for lower 16 bits, each bit is individual. 1'b0: Write access disable 1'b1: Write access enable
15	RW	0x1	d3apll_bp BYPASS: Bypass mode control signal. 1'b1: bypass mode is enabled. (FOUT = FIN). 1'b0: PLL operates normally.
14:10	RO	0x00	reserved

Bit	Attr	Reset Value	Description
9:0	RW	0x000	d3apll_m M: Division value of the 10-bit programmable main-divider. PLL has to be reset if M value is changed. 64 <= pll_m <= 1023

**DDR3CRU D3APLL CON1**

Address: Operational Base + offset (0x0004)

Bit	Attr	Reset Value	Description
31:16	WO	0x0000	write_enable Write enable for lower 16 bits, each bit is individual. 1'b0: Write access disable 1'b1: Write access enable
15:14	RO	0x0	reserved
13	RW	0x0	d3apll_resetb RESETB: Power down control signal. 1'b0: RESETB=0 from 1, PLL starts its normal operation after lock time. 1'b1: RESETB=1, power down mode is enabled and all digital blocks are reset.
12:9	RO	0x0	reserved
8:6	RW	0x0	d3apll_s Division value of the 3-bit programmable scaler. 0 <= pll_s <= 6
5:0	RW	0x00	d3apll_p P: Division value of the 6-bit programmable pre-divider. PLL has to be reset if P value is changed. 1 <= pll_p <= 63

**DDR3CRU D3APLL CON2**

Address: Operational Base + offset (0x0008)

Bit	Attr	Reset Value	Description
31:16	RO	0x0000	reserved
15:0	RW	0x0000	d3apll_k K: Value of 16-bit DSM. pll_k[15:0] is a two's complement integer.

**DDR3CRU D3APLL CON3**

Address: Operational Base + offset (0x000C)

Bit	Attr	Reset Value	Description
31:16	WO	0x0000	write_enable Write enable for lower 16 bits, each bit is individual. 1'b0: Write access disable 1'b1: Write access enable
15:14	RW	0x0	d3apll_sel_pf SEL_PF: Value of 2-bit modulation method control. 2'b00: down spread; 2'b01: up spread; 2'b1x: center spread. PLL has to be reset if pll_sel_pf is changed.
13:8	RW	0x00	d3apll_mrr MRR: Value of 6-bit modulation rate control. PLL has to be reset if pll_mrr is changed.
7:0	RW	0x00	d3apll_mfr MFR: Value of 8-bit modulation frequency control. PLL has to be reset if pll_mfr is changed.

**DDR3CRU D3APLL CON4**

Address: Operational Base + offset (0x0010)

Bit	Attr	Reset Value	Description
31:16	WO	0x0000	write_enable Write enable for lower 16 bits, each bit is individual. 1'b0: Write access disable 1'b1: Write access enable
15	RW	0x0	d3apll_fsel FSEL: Monitoring pin. 1'b0: FEED_OUT = FREF. 1'b1: FEED_OUT = FEED.
14	RW	0x0	d3apll_feed_en FEED_EN: Monitoring pin. 1'b0: FEED_OUT is disabled. 1'b1: FEED_OUT is enabled.
13:9	RO	0x00	reserved
8:4	RW	0x00	d3apll_extafc EXTAFC: Monitoring pin. If pll_afc_enb=1, AFC is disabled and VCO is calibrated manually by pll_extafc[4:0] for the test of VCO range.
3	RW	0x0	d3apll_afc_enb AFC_ENB: Monitoring pin. 1'b0: AFC is enabled and VCO is calibrated automatically. 1'b1: AFC is disabled and VCO is calibrated manually by pll_extafc[4:0] for the test of VCO range.
2:1	RO	0x0	reserved
0	RW	0x0	d3apll_sscg_en SSCG_EN: Enable pin for dithered mode. 1'b0: disable dithered mode. 1'b1: enable dithered mode.

**DDR3CRU D3APLL CONS**

Address: Operational Base + offset (0x0014)

Bit	Attr	Reset Value	Description
31:16	WO	0x0000	write_enable Write enable for lower 16 bits, each bit is individual. 1'b0: Write access disable 1'b1: Write access enable
15:1	RO	0x0000	reserved
0	RW	0x0	d3apll_fout_mask FOUT_MASK: Scaler's re-initialization time control pin.

**DDR3CRU D3APLL CON6**

Address: Operational Base + offset (0x0018)

Bit	Attr	Reset Value	Description
31:16	WO	0x0000	write_enable Write enable for lower 16 bits, each bit is individual. 1'b0: Write access disable 1'b1: Write access enable
15	RW	0x0	d3apll_lock LOCK: PLL lock flag. 1'b0: PLL is unlocked. 1'b1: PLL is locked.

Bit	Attr	Reset Value	Description
14:10	RW	0x00	d3apll_afc_code AFC_CODE: Monitoring pin. Output code of AFC(5 bits).
9:0	RO	0x000	reserved

**DDR3CRU D3BPLL CON0**

Address: Operational Base + offset (0x0020)

Bit	Attr	Reset Value	Description
31:16	WO	0x0000	write_enable Write enable for lower 16 bits, each bit is individual. 1'b0: Write access disable 1'b1: Write access enable
15	RW	0x1	d3bppll_bp BYPASS: Bypass mode control signal. 1'b1: bypass mode is enabled. (FOUT = FIN). 1'b0: PLL operates normally.
14:10	RO	0x00	reserved
9:0	RW	0x000	d3bppll_m M: Division value of the 10-bit programmable main-divider. PLL has to be reset if M value is changed. 64 <= pll_m <= 1023

**DDR3CRU D3BPLL CON1**

Address: Operational Base + offset (0x0024)

Bit	Attr	Reset Value	Description
31:16	WO	0x0000	write_enable Write enable for lower 16 bits, each bit is individual. 1'b0: Write access disable 1'b1: Write access enable
15:14	RO	0x0	reserved
13	RW	0x0	d3bppll_reseta RESETB: Power down control signal. 1'b0: RESETB=0 from 1, PLL starts its normal operation after lock time. 1'b1: RESETB=1, power down mode is enabled and all digital blocks are reset..
12:9	RO	0x0	reserved
8:6	RW	0x0	d3bppll_s Division value of the 3-bit programmable scaler. 0 <= pll_s <= 6
5:0	RW	0x00	d3bppll_p P: Division value of the 6-bit programmable pre-divider. PLL has to be reset if P value is changed. 1 <= pll_p <= 63

**DDR3CRU D3BPLL CON2**

Address: Operational Base + offset (0x0028)

Bit	Attr	Reset Value	Description
31:16	RO	0x0000	reserved
15:0	RW	0x0000	d3bppll_k K: Value of 16-bit DSM. pll_k[15:0] is a two's complement integer.

**DDR3CRU D3BPLL CON3**

Address: Operational Base + offset (0x002C)



Bit	Attr	Reset Value	Description
31:16	WO	0x0000	write_enable Write enable for lower 16 bits, each bit is individual. 1'b0: Write access disable 1'b1: Write access enable
15:14	RW	0x0	d3bppll_sel_pf SEL_PF: Value of 2-bit modulation method control. 2'b00: down spread; 2'b01: up spread; 2'b1x: center spread. PLL has to be reset if pll_sel_pf is changed.
13:8	RW	0x00	d3bppll_mrr MRR: Value of 6-bit modulation rate control. PLL has to be reset if pll_mrr is changed.
7:0	RW	0x00	d3bppll_mfr MFR: Value of 8-bit modulation frequency control. PLL has to be reset if pll_mfr is changed.

**DDR3CRU D3BPLL CON4**

Address: Operational Base + offset (0x0030)

Bit	Attr	Reset Value	Description
31:16	WO	0x0000	write_enable Write enable for lower 16 bits, each bit is individual. 1'b0: Write access disable 1'b1: Write access enable
15	RW	0x0	d3bppll_fsel FSEL: Monitoring pin. 1'b0: FEED_OUT = FREF. 1'b1: FEED_OUT = FEED.
14	RW	0x0	d3bppll_feed_en FEED_EN: Monitoring pin. 1'b0: FEED_OUT is disabled. 1'b1: FEED_OUT is enabled.
13:9	RO	0x00	reserved
8:4	RW	0x00	d3bppll_extafc EXTAFC: Monitoring pin. If pll_afc_enb=1, AFC is disabled and VCO is calibrated manually by pll_extafc[4:0] for the test of VCO range.
3	RW	0x0	d3bppll_afc_enb AFC_ENB: Monitoring pin. 1'b0: AFC is enabled and VCO is calibrated automatically. 1'b1: AFC is disabled and VCO is calibrated manually by pll_extafc[4:0] for the test of VCO range.
2:1	RO	0x0	reserved
0	RW	0x0	d3bppll_sscg_en SSCG_EN: Enable pin for dithered mode. 1'b0: disable dithered mode. 1'b1: enable dithered mode.

**DDR3CRU D3BPLL CON5**

Address: Operational Base + offset (0x0034)

Bit	Attr	Reset Value	Description
31:16	WO	0x0000	write_enable Write enable for lower 16 bits, each bit is individual. 1'b0: Write access disable 1'b1: Write access enable

Bit	Attr	Reset Value	Description
15:1	RO	0x0000	reserved
0	RW	0x0	d3bpll_fout_mask FOUT_MASK: Scaler's re-initialization time control pin.

**DDR3CRU D3BPLL CON6**

Address: Operational Base + offset (0x0038)

Bit	Attr	Reset Value	Description
31:16	WO	0x0000	write_enable Write enable for lower 16 bits, each bit is individual. 1'b0: Write access disable 1'b1: Write access enable
15	RW	0x0	d3bpll_lock LOCK: PLL lock flag. 1'b0: PLL is unlocked. 1'b1: PLL is locked.
14:10	RW	0x00	d3bpll_afc_code AFC_CODE: Monitoring pin. Output code of AFC(5 bits).
9:0	RO	0x000	reserved

**DDR3CRU CLKSEL CON00**

Address: Operational Base + offset (0x0300)

Bit	Attr	Reset Value	Description
31:16	WO	0x0000	write_enable Write enable for lower 16 bits, each bit is individual. 1'b0: Write access disable 1'b1: Write access enable
15:1	RO	0x0000	reserved
0	RW	0x0	clk_ddrphy2x_ch3_sel clk_ddrphy2x_ch3 clock mux. 1'b0: clk_d3apll_t 1'b1: clk_d3bpll

**DDR3CRU GATE CON00**

Address: Operational Base + offset (0x0800)

Bit	Attr	Reset Value	Description
31:16	WO	0x0000	write_enable Write enable for lower 16 bits, each bit is individual. 1'b0: Write access disable 1'b1: Write access enable
15:6	RO	0x000	reserved
5	RW	0x0	clk_osc_ddrphy_ch3_en clk_osc_ddrphy_ch3 clock gating control. When high, disable clock
4	RW	0x0	pclk_ddrphy_ch3_en pclk_ddrphy_ch3 clock gating control. When high, disable clock
3	RW	0x0	pclk_ddr_cru_ch3_en pclk_ddr_cru_ch3 clock gating control. When high, disable clock
2:0	RO	0x0	reserved

**DDR3CRU SOFTRST CON00**

Address: Operational Base + offset (0x0A00)

Bit	Attr	Reset Value	Description
31:16	WO	0x0000	write_enable Write enable for lower 16 bits, each bit is individual. 1'b0: Write access disable 1'b1: Write access enable
15:5	RO	0x000	reserved
4	RW	0x0	presetn_ddrphy_ch3 When high, reset relative logic
3	RW	0x0	presetn_ddr_cru_ch3 When high, reset relative logic
2	RW	0x1	resetrn_ddrphy2x_ch3 When high, reset relative logic
1	RW	0x1	resetrn_ddrphy2xdiv_ch3 div_rst_n at ddr ch3 When high, reset relative logic
0	RO	0x0	reserved

## 2.9 BIGCORE0CRU Register Description

### 2.9.1 Registers Summary

Name	Offset	Size	Reset Value	Description
<u>BIGCORE0CRU_B0PLL_CON0</u>	0x0000	W	0x00000000	B0PLL configuration register 0
<u>BIGCORE0CRU_B0PLL_CON1</u>	0x0004	W	0x00000000	B0PLL configuration register 1
<u>BIGCORE0CRU_B0PLL_CON4</u>	0x0010	W	0x00000002	B0PLL configuration register 4
<u>BIGCORE0CRU_B0PLL_CON5</u>	0x0014	W	0x000007E0	B0PLL configuration register 5
<u>BIGCORE0CRU_B0PLL_CON6</u>	0x0018	W	0x00000000	B0PLL configuration register 6
<u>BIGCORE0CRU_MODE_CON00</u>	0x0280	W	0x00000000	Internal PLL mode select register 0
<u>BIGCORE0CRU_CLKSEL_CON00</u>	0x0300	W	0x00000102	Internal clock select and division register 0
<u>BIGCORE0CRU_CLKSEL_CON01</u>	0x0304	W	0x00005F81	Internal clock select and division register 1
<u>BIGCORE0CRU_CLKSEL_CON02</u>	0x0308	W	0x00000000	Internal clock select and division register 2
<u>BIGCORE0CRU_GATE_CON00</u>	0x0800	W	0x00000400	Internal clock gate and division register 0
<u>BIGCORE0CRU_GATE_CON01</u>	0x0804	W	0x00000000	Internal clock gate and division register 1
<u>BIGCORE0CRU_SOFTTRST_CON00</u>	0x0A00	W	0x00000330	Internal clock reset register 0
<u>BIGCORE0CRU_SOFTTRST_CON01</u>	0x0A04	W	0x00000000	Internal clock reset register 1
<u>BIGCORE0CRU_SMOOTH_DIVFREE_CON04</u>	0x0CC0	W	0x00000000	Smoothdiv control register
<u>BIGCORE0CRU_SMOOTH_DIVFREE_CON05</u>	0x0CC4	W	0x00000000	Smoothdiv control register

Name	Offset	Size	Reset Value	Description
<u>BIGCORE0CRU_AUTOCS_CLK_CORE_B01_I_CON0</u>	0x0D00	W	0x00200004	Auto clock switch control register 0
<u>BIGCORE0CRU_AUTOCS_CLK_CORE_B01_I_CON1</u>	0x0D04	W	0x00000000	Auto clock switch control register 1

Notes: **Size:** **B**- Byte (8 bits) access, **HW**- Half WORD (16 bits) access, **W**-WORD (32 bits) access, **DW**- Double WORD (64 bits) access

## 2.9.2 Detail Registers Description

### BIGCORE0CRU\_B0PLL\_CON0

Address: Operational Base + offset (0x0000)

Bit	Attr	Reset Value	Description
31:16	WO	0x0000	write_enable Write enable for lower 16 bits, each bit is individual. 1'b0: Write access disable 1'b1: Write access enable
15	RW	0x0	b0pll_bp BYPASS: Bypass mode control signal. 1'b1: bypass mode is enabled. (FOUT = FIN). 1'b0: PLL operates normally.
14:10	RO	0x00	reserved
9:0	RW	0x000	b0pll_m M: Division value of the 10-bit programmable main-divider. PLL has to be reset if M value is changed. 64 <= pll_m <= 1023

### BIGCORE0CRU\_B0PLL\_CON1

Address: Operational Base + offset (0x0004)

Bit	Attr	Reset Value	Description
31:16	WO	0x0000	write_enable Write enable for lower 16 bits, each bit is individual. 1'b0: Write access disable 1'b1: Write access enable
15:14	RO	0x0	reserved
13	RW	0x0	b0pll_resedb RESETB: Power down control signal. 1'b0: RESETB=0 from 1, PLL starts its normal operation after lock time. 1'b1: RESETB=1, power down mode is enabled and all digital blocks are reset.
12:9	RO	0x0	reserved
8:6	RW	0x0	b0pll_s Division value of the 3-bit programmable scaler. 0 <= pll_s <= 6
5:0	RW	0x00	b0pll_p P: Division value of the 6-bit programmable pre-divider. PLL has to be reset if P value is changed. 1 <= pll_p <= 63

### BIGCORE0CRU\_B0PLL\_CON4

Address: Operational Base + offset (0x0010)

Bit	Attr	Reset Value	Description
31:16	WO	0x0000	write_enable Write enable for lower 16 bits, each bit is individual. 1'b0: Write access disable 1'b1: Write access enable
15	RW	0x0	b0pll_fsel FSEL: Monitoring pin. 1'b0: FEED_OUT = FREF. 1'b1: FEED_OUT = FEED.
14	RW	0x0	b0pll_feed_en FEED_EN: Monitoring pin. 1'b0: FEED_OUT is disabled. 1'b1: FEED_OUT is enabled.
13:9	RO	0x00	reserved
8:4	RW	0x00	b0pll_extafc EXTAFC: Monitoring pin. If pll_afc_enb=1, AFC is disabled and VCO is calibrated manually by pll_extafc[4:0] for the test of VCO range.
3	RW	0x0	b0pll_afc_enb AFC_ENB: Monitoring pin. 1'b0: AFC is enabled and VCO is calibrated automatically. 1'b1: AFC is disabled and VCO is calibrated manually by pll_extafc[4:0] for the test of VCO range.
2:1	RW	0x1	b0pll_icp Charge-pump current control signal.
0	RO	0x0	reserved

**BIGCORE0CRU B0PLL CON5**

Address: Operational Base + offset (0x0014)

Bit	Attr	Reset Value	Description
31:16	WO	0x0000	write_enable Write enable for lower 16 bits, each bit is individual. 1'b0: Write access disable 1'b1: Write access enable
15:11	RO	0x00	reserved
10:9	RW	0x3	b0pll_lock_con_dly LOCK_CON_DLY: Lock detector setting of the detection resolution.
8:7	RW	0x3	b0pll_lock_con_out LOCK_CON_OUT: Lock detector setting of the output margin.
6:5	RW	0x3	b0pll_lock_con_in LOCK_CON_IN: Lock detector setting of the input margin.
4:1	RO	0x0	reserved
0	RW	0x0	b0pll_fout_mask FOUT_MASK: Scaler's re-initialization time control pin.

**BIGCORE0CRU B0PLL CON6**

Address: Operational Base + offset (0x0018)

Bit	Attr	Reset Value	Description
31:16	WO	0x0000	write_enable Write enable for lower 16 bits, each bit is individual. 1'b0: Write access disable 1'b1: Write access enable
15	RW	0x0	b0pll_lock LOCK: PLL lock flag. 1'b0: PLL is unlocked. 1'b1: PLL is locked.

Bit	Attr	Reset Value	Description
14:10	RW	0x00	b0pll_afc_code AFC_CODE: Monitoring pin. Output code of AFC(5 bits).
9:0	RO	0x000	reserved

**BIGCORE0CRU MODE CON00**

Address: Operational Base + offset (0x0280)

Bit	Attr	Reset Value	Description
31:16	WO	0x0000	write_enable Write enable for lower 16 bits, each bit is individual. 1'b0: Write access disable 1'b1: Write access enable
15:2	RO	0x0000	reserved
1:0	RW	0x0	clk_b0pll_mode clk_b0pll_mux clock mux. 2'b00: xin_osc0_func 2'b01: clk_b0pll 2'b10: clk_deepslow

**BIGCORE0CRU CLKSEL CON00**

Address: Operational Base + offset (0x0300)

Bit	Attr	Reset Value	Description
31:16	WO	0x0000	write_enable Write enable for lower 16 bits, each bit is individual. 1'b0: Write access disable 1'b1: Write access enable
15	RO	0x0	reserved
14:13	RW	0x0	clk_core_b0_sel clk_core_b0 clock mux. 2'b00: clk_core_b0_uc 2'b01: clk_core_b0_clean 2'b10: clk_core_b01_pvtpll_t
12:8	RW	0x01	clk_core_b0_uc_div Divide clk_core_b0_uc by (div_con + 1).
7:6	RW	0x0	clk_core_b01_src_sel clk_core_b01_src clock mux. 2'b00: clk_core_b01_slow_src 2'b01: clk_core_b01_gppll_src 2'b10: clk_b0pll
5:1	RW	0x01	clk_core_b01_gppll_src_div Divide clk_core_b01_gppll_src by (div_con + 1).
0	RW	0x0	clk_core_b01_slow_src_sel clk_core_b01_slow_src clock mux. 1'b0: xin_osc0_func 1'b1: clk_deepslow

**BIGCORE0CRU CLKSEL CON01**

Address: Operational Base + offset (0x0304)

Bit	Attr	Reset Value	Description
31:16	WO	0x0000	write_enable Write enable for lower 16 bits, each bit is individual. 1'b0: Write access disable 1'b1: Write access enable
15	RO	0x0	reserved

Bit	Attr	Reset Value	Description
14	RW	0x1	refclk_bigcore0_pvtpll_sel refclk_bigcore0_pvtpll clock mux. 1'b0: clk_core_b01 1'b1: xin_osc0_func
13	RW	0x0	clk_testout_b0_sel clk_testout_b0 clock mux. 1'b0: clk_b0pll 1'b1: clk_core_b01_pvtpll
12:7	RW	0x3f	clk_testout_b0_div Divide clk_testout_b0 by (div_con + 1).
6:5	RW	0x0	clk_core_b1_sel clk_core_b1 clock mux. 2'b00: clk_core_b1_uc 2'b01: clk_core_b1_clean 2'b10: clk_core_b01_pvtpll_t
4:0	RW	0x01	clk_core_b1_uc_div Divide clk_core_b1_uc by (div_con + 1).

**BIGCORE0CRU\_CLKSEL\_CON02**

Address: Operational Base + offset (0x0308)

Bit	Attr	Reset Value	Description
31:16	WO	0x0000	write_enable Write enable for lower 16 bits, each bit is individual. 1'b0: Write access disable 1'b1: Write access enable
15:3	RO	0x0000	reserved
2	RW	0x0	clk_core_b01_pvtpll_t_sel clk_core_b01_pvtpll_t clock mux. 1'b0: clk_deepslow 1'b1: clk_core_b01_pvtpll
1:0	RW	0x0	pclk_bigcore0_root_sel pclk_bigcore0_root clock mux. 2'b00: clk_matrix_100m_src 2'b01: clk_matrix_50m_src 2'b10: xin_osc0_func

**BIGCORE0CRU\_GATE\_CON00**

Address: Operational Base + offset (0x0800)

Bit	Attr	Reset Value	Description
31:16	WO	0x0000	write_enable Write enable for lower 16 bits, each bit is individual. 1'b0: Write access disable 1'b1: Write access enable
15	RW	0x0	pclk_bigcore0_biu_en pclk_bigcore0_biu clock gating control. When high, disable clock
14	RW	0x0	pclk_bigcore0_root_en pclk_bigcore0_root clock gating control. When high, disable clock
13	RW	0x0	clk_core_bigcore0_pvtm_en clk_core_bigcore0_pvtm clock gating control. When high, disable clock
12	RW	0x0	clk_bigcore0_pvtm_en clk_bigcore0_pvtm clock gating control. When high, disable clock

Bit	Attr	Reset Value	Description
11	RW	0x0	refclk_bigcore0_pvtpll_en refclk_bigcore0_pvtpll clock gating control. When high, disable clock
10	RW	0x1	clk_testout_b0_en clk_testout_b0 clock gating control. When high, disable clock
9:8	RO	0x0	reserved
7	RW	0x0	clk_core_b1_uc_en clk_core_b1_uc clock gating control. When high, disable clock
6	RW	0x0	clk_core_b1_clean_en clk_core_b1_clean clock gating control. When high, disable clock
5:4	RO	0x0	reserved
3	RW	0x0	clk_core_b0_uc_en clk_core_b0_uc clock gating control. When high, disable clock
2	RW	0x0	clk_core_b0_clean_en clk_core_b0_clean clock gating control. When high, disable clock
1	RW	0x0	clk_core_b01_i_en clk_core_b01_i clock gating control. When high, disable clock
0	RO	0x0	reserved

**BIGCORE0CRU\_GATE\_CON01**

Address: Operational Base + offset (0x0804)

Bit	Attr	Reset Value	Description
31:16	WO	0x0000	write_enable Write enable for lower 16 bits, each bit is individual. 1'b0: Write access disable 1'b1: Write access enable
15:5	RO	0x000	reserved
4	RW	0x0	clk_24m_bigcore0_cpufreq_en clk_24m_bigcore0_cpufreq clock gating control. When high, disable clock
3	RW	0x0	pclk_bigcore0_cpufreq_en pclk_bigcore0_cpufreq clock gating control. When high, disable clock
2	RW	0x0	pclk_bigcore0_cru_en pclk_bigcore0_cru clock gating control. When high, disable clock
1	RW	0x0	pclk_bigcore0_grf_en pclk_bigcore0_grf clock gating control. When high, disable clock
0	RW	0x0	pclk_bigcore0_pvtm_en pclk_bigcore0_pvtm clock gating control. When high, disable clock

**BIGCORE0CRU\_SOFTRST\_CON00**

Address: Operational Base + offset (0x0A00)



Bit	Attr	Reset Value	Description
31:16	WO	0x0000	write_enable Write enable for lower 16 bits, each bit is individual. 1'b0: Write access disable 1'b1: Write access enable
15	RW	0x0	presetn_bigcore0_biu When high, reset relative logic
14:13	RO	0x0	reserved
12	RW	0x0	resetrn_bigcore0_pvtm When high, reset relative logic
11	RW	0x0	resetrn_bigcore0_pvtpll When high, reset relative logic
10	RO	0x0	reserved
9	RW	0x1	ncorereset_b1 When high, reset relative logic
8	RW	0x1	ncpuporeset_b1 When high, reset relative logic
7:6	RO	0x0	reserved
5	RW	0x1	ncorereset_b0 When high, reset relative logic
4	RW	0x1	ncpuporeset_b0 When high, reset relative logic
3:0	RO	0x0	reserved

**BIGCORE0CRU SOFTRST CON01**

Address: Operational Base + offset (0x0A04)

Bit	Attr	Reset Value	Description
31:16	WO	0x0000	write_enable Write enable for lower 16 bits, each bit is individual. 1'b0: Write access disable 1'b1: Write access enable
15:5	RO	0x000	reserved
4	RW	0x0	resetrn_24m_bigcore0_cpupboost When high, reset relative logic
3	RW	0x0	presetrn_bigcore0_cpupboost When high, reset relative logic
2	RW	0x0	presetrn_bigcore0_cru When high, reset relative logic
1	RW	0x0	presetrn_bigcore0_grf When high, reset relative logic
0	RW	0x0	presetrn_bigcore0_pvtm When high, reset relative logic

**BIGCORE0CRU SMOTH DIVFREE CON04**

Address: Operational Base + offset (0x0CC0)

Bit	Attr	Reset Value	Description
31:16	RW	0x0000	clk_core_b0_uc_freq_keep freq_keep Cycles to keep every step.
15	RW	0x0	clk_core_b0_uc_bypass bypass Division signal bypass. 1'b1: Bypass. 1'b0: Use Smoothdiv to control clock division.

Bit	Attr	Reset Value	Description
14	RW	0x0	clk_core_b0_uc_gate_smth_en gate_smth_en If trigger smoothdiv function when clk been gated. 1'b1: Enable. 1'b0: Disable.
13	RW	0x0	clk_core_b0_uc_smdiv_clk_off smdiv_clk_off Turn off smoothdiv module clk. 1'b1: Turn off. 1'b0: Turn on.
12:5	RO	0x00	reserved
4:0	RW	0x00	clk_core_b0_uc_step step Step of div from 0x1f to setting configuration .

**BIGCORE0CRU SMOTH DIVFREE CON05**

Address: Operational Base + offset (0x0CC4)

Bit	Attr	Reset Value	Description
31:16	RW	0x0000	clk_core_b1_uc_freq_keep freq_keep Cycles to keep every step.
15	RW	0x0	clk_core_b1_uc_bypass bypass Division signal bypass. 1'b1: Bypass. 1'b0: Use Smoothdiv to control clock division.
14	RW	0x0	clk_core_b1_uc_gate_smth_en gate_smth_en If trigger smoothdiv function when clk been gated. 1'b1: Enable. 1'b0: Disable.
13	RW	0x0	clk_core_b1_uc_smdiv_clk_off smdiv_clk_off Turn off smoothdiv module clk. 1'b1: Turn off. 1'b0: Turn on.
12:5	RO	0x00	reserved
4:0	RW	0x00	clk_core_b1_uc_step step Step of div from 0x1f to setting configuration .

**BIGCORE0CRU AUTOCS CLK CORE B01 I CON0**

Address: Operational Base + offset (0x0D00)

Bit	Attr	Reset Value	Description
31:16	RW	0x0020	clk_core_b01_i_wait_th wait_th Wait time threshold, measured by original clk.
15:0	RW	0x0004	clk_core_b01_i_idle_th idle_th Idle time threshold, measured by original clk.

**BIGCORE0CRU AUTOCS CLK CORE B01 I CON1**

Address: Operational Base + offset (0x0D04)

Bit	Attr	Reset Value	Description
31:16	WO	0x0000	write_enable Write enable for lower 16 bits, each bit is individual. 1'b0: Write access disable 1'b1: Write access enable
15:14	RW	0x0	clk_core_b01_i_clkssel_cfg clkssel_cfg Auto switch clock selection. 2'b00: Original clk 2'b01: xin_osc0_func_div 2'b10: clk_rtc_32k
13	RW	0x0	clk_core_b01_i_switch_en switch_en 1'b1: Enable clk_core_b01_i switched to lower frequency when module is inactive. 1'b0: Disable auto switch function.
12	RW	0x0	clk_core_b01_i_autocs_en autocs_en 1'b1: Enable clk_core_b01_i switch to lower frequency. 1'b0: Disable.
11:0	RW	0x000	clk_core_b01_i_autocs_ctrl autocs_ctrl 12'hfff: Enable clk_core_b01_i switch to lower frequency. 12'h000: Disable. Others: Reserved.

## 2.10 BIGCORE1CRU Register Description

### 2.10.1 Registers Summary

Name	Offset	Size	Reset Value	Description
BIGCORE1CRU_B1PLL_CON0	0x0020	W	0x00000000	B1PLL configuration register 0
BIGCORE1CRU_B1PLL_CON1	0x0024	W	0x00000000	B1PLL configuration register 1
BIGCORE1CRU_B1PLL_CON4	0x0030	W	0x00000002	B1PLL configuration register 4
BIGCORE1CRU_B1PLL_CON5	0x0034	W	0x000007E0	B1PLL configuration register 5
BIGCORE1CRU_B1PLL_CON6	0x0038	W	0x00000000	B1PLL configuration register 6
BIGCORE1CRU_MODE_CON00	0x0280	W	0x00000000	Internal PLL mode select register 0
BIGCORE1CRU_CLKSEL_CON00	0x0300	W	0x00000102	Internal clock select and division register 0
BIGCORE1CRU_CLKSEL_CON01	0x0304	W	0x00005F81	Internal clock select and division register 1
BIGCORE1CRU_CLKSEL_CON02	0x0308	W	0x00000000	Internal clock select and division register 2
BIGCORE1CRU_GATE_CON00	0x0800	W	0x00000400	Internal clock gate and division register 0
BIGCORE1CRU_GATE_CON01	0x0804	W	0x00000000	Internal clock gate and division register 1

Name	Offset	Size	Reset Value	Description
<u>BIGCORE1CRU_SOFTRST_CON00</u>	0x0A00	W	0x00000330	Internal clock reset register 0
<u>BIGCORE1CRU_SOFTRST_CON01</u>	0x0A04	W	0x00000000	Internal clock reset register 1
<u>BIGCORE1CRU_SMOOTH_DIVFREE_CON06</u>	0x0CC0	W	0x00000000	Smoothdiv control register
<u>BIGCORE1CRU_SMOOTH_DIVFREE_CON07</u>	0x0CC4	W	0x00000000	Smoothdiv control register
<u>BIGCORE1CRU_AUTOCS_CLK_CORE_B23_I_CON0</u>	0x0D00	W	0x00200004	Auto clock switch control register 0
<u>BIGCORE1CRU_AUTOCS_CLK_CORE_B23_I_CON1</u>	0x0D04	W	0x00000000	Auto clock switch control register 1

Notes: **Size:** **B**- Byte (8 bits) access, **HW**- Half WORD (16 bits) access, **W**-WORD (32 bits) access, **DW**- Double WORD (64 bits) access

## 2.10.2 Detail Registers Description

### **BIGCORE1CRU\_B1PLL\_CON0**

Address: Operational Base + offset (0x0020)

Bit	Attr	Reset Value	Description
31:16	WO	0x0000	write_enable Write enable for lower 16 bits, each bit is individual. 1'b0: Write access disable 1'b1: Write access enable
15	RW	0x0	b1pll_bp BYPASS: Bypass mode control signal. 1'b1: bypass mode is enabled. (FOUT = FIN). 1'b0: PLL operates normally.
14:10	RO	0x00	reserved
9:0	RW	0x000	b1pll_m M: Division value of the 10-bit programmable main-divider. PLL has to be reset if M value is changed. 64 <= pll_m <= 1023

### **BIGCORE1CRU\_B1PLL\_CON1**

Address: Operational Base + offset (0x0024)

Bit	Attr	Reset Value	Description
31:16	WO	0x0000	write_enable Write enable for lower 16 bits, each bit is individual. 1'b0: Write access disable 1'b1: Write access enable
15:14	RO	0x0	reserved
13	RW	0x0	b1pll_reseta RESETB: Power down control signal. 1'b0: RESETB=0 from 1, PLL starts its normal operation after lock time. 1'b1: RESETB=1, power down mode is enabled and all digital blocks are reset.
12:9	RO	0x0	reserved
8:6	RW	0x0	b1pll_s Division value of the 3-bit programmable scaler. 0 <= pll_s <= 6

Bit	Attr	Reset Value	Description
5:0	RW	0x00	b1pll_p P: Division value of the 6-bit programmable pre-divider. PLL has to be reset if P value is changed. 1 <= pll_p <= 63

**BIGCORE1CRU B1PLL CON4**

Address: Operational Base + offset (0x0030)

Bit	Attr	Reset Value	Description
31:16	WO	0x0000	write_enable Write enable for lower 16 bits, each bit is individual. 1'b0: Write access disable 1'b1: Write access enable
15	RW	0x0	b1pll_fsel FSEL: Monitoring pin. 1'b0: FEED_OUT = FREF. 1'b1: FEED_OUT = FEED.
14	RW	0x0	b1pll_feed_en FEED_EN: Monitoring pin. 1'b0: FEED_OUT is disabled. 1'b1: FEED_OUT is enabled.
13:9	RO	0x00	reserved
8:4	RW	0x00	b1pll_extafc EXTAFC: Monitoring pin. If pll_afc_enb=1, AFC is disabled and VCO is calibrated manually by pll_extafc[4:0] for the test of VCO range.
3	RW	0x0	b1pll_afc_enb AFC_ENB: Monitoring pin. 1'b0: AFC is enabled and VCO is calibrated automatically. 1'b1: AFC is disabled and VCO is calibrated manually by pll_extafc[4:0] for the test of VCO range.
2:1	RW	0x1	b1pll_icp Charge-pump current control signal.
0	RO	0x0	reserved

**BIGCORE1CRU B1PLL CON5**

Address: Operational Base + offset (0x0034)

Bit	Attr	Reset Value	Description
31:16	WO	0x0000	write_enable Write enable for lower 16 bits, each bit is individual. 1'b0: Write access disable 1'b1: Write access enable
15:11	RO	0x00	reserved
10:9	RW	0x3	b1pll_lock_con_dly LOCK_CON_DLY: Lock detector setting of the detection resolution.
8:7	RW	0x3	b1pll_lock_con_out LOCK_CON_OUT: Lock detector setting of the output margin.
6:5	RW	0x3	b1pll_lock_con_in LOCK_CON_IN: Lock detector setting of the input margin.
4:1	RO	0x0	reserved
0	RW	0x0	b1pll_fout_mask FOUT_MASK: Scaler's re-initialization time control pin.

**BIGCORE1CRU B1PLL CON6**

Address: Operational Base + offset (0x0038)

Bit	Attr	Reset Value	Description
31:16	WO	0x0000	write_enable Write enable for lower 16 bits, each bit is individual. 1'b0: Write access disable 1'b1: Write access enable
15	RW	0x0	b1pll_lock LOCK: PLL lock flag. 1'b0: PLL is unlocked. 1'b1: PLL is locked.
14:10	RW	0x00	b1pll_afc_code AFC_CODE: Monitoring pin. Output code of AFC(5 bits).
9:0	RO	0x000	reserved

**BIGCORE1CRU MODE CON00**

Address: Operational Base + offset (0x0280)

Bit	Attr	Reset Value	Description
31:16	WO	0x0000	write_enable Write enable for lower 16 bits, each bit is individual. 1'b0: Write access disable 1'b1: Write access enable
15:2	RO	0x0000	reserved
1:0	RW	0x0	clk_b1pll_mode clk_b1pll_mux clock mux. 2'b00: xin_osc0_func 2'b01: clk_b1pll 2'b10: clk_deepslow

**BIGCORE1CRU CLKSEL CON00**

Address: Operational Base + offset (0x0300)

Bit	Attr	Reset Value	Description
31:16	WO	0x0000	write_enable Write enable for lower 16 bits, each bit is individual. 1'b0: Write access disable 1'b1: Write access enable
15	RO	0x0	reserved
14:13	RW	0x0	clk_core_b2_sel clk_core_b2 clock mux. 2'b00: clk_core_b2_uc 2'b01: clk_core_b2_clean 2'b10: clk_core_b23_pvtpll_t
12:8	RW	0x01	clk_core_b2_uc_div Divide clk_core_b2_uc by (div_con + 1).
7:6	RW	0x0	clk_core_b23_src_sel clk_core_b23_src clock mux. 2'b00: clk_core_b23_slow_src 2'b01: clk_core_b23_gppll_src 2'b10: clk_b1pll
5:1	RW	0x01	clk_core_b23_gppll_src_div Divide clk_core_b23_gppll_src by (div_con + 1).
0	RW	0x0	clk_core_b23_slow_src_sel clk_core_b23_slow_src clock mux. 1'b0: xin_osc0_func 1'b1: clk_deepslow

**BIGCORE1CRU CLKSEL CON01**

Address: Operational Base + offset (0x0304)

Bit	Attr	Reset Value	Description
31:16	WO	0x0000	write_enable Write enable for lower 16 bits, each bit is individual. 1'b0: Write access disable 1'b1: Write access enable
15	RO	0x0	reserved
14	RW	0x1	refclk_bigcore1_pvtpll_sel refclk_bigcore1_pvtpll clock mux. 1'b0: clk_core_b23 1'b1: xin_osc0_func
13	RW	0x0	clk_testout_b1_sel clk_testout_b1 clock mux. 1'b0: clk_b1pll 1'b1: clk_core_b23_pvtpll
12:7	RW	0x3f	clk_testout_b1_div Divide clk_testout_b1 by (div_con + 1).
6:5	RW	0x0	clk_core_b3_sel clk_core_b3 clock mux. 2'b00: clk_core_b3_uc 2'b01: clk_core_b3_clean 2'b10: clk_core_b23_pvtpll_t
4:0	RW	0x01	clk_core_b3_uc_div Divide clk_core_b3_uc by (div_con + 1).

**BIGCORE1CRU CLKSEL CON02**

Address: Operational Base + offset (0x0308)

Bit	Attr	Reset Value	Description
31:16	WO	0x0000	write_enable Write enable for lower 16 bits, each bit is individual. 1'b0: Write access disable 1'b1: Write access enable
15:3	RO	0x0000	reserved
2	RW	0x0	clk_core_b23pvtpll_t_sel clk_core_b23pvtpll_t clock mux. 1'b0: clk_deepslow 1'b1: clk_core_b23pvtpll
1:0	RW	0x0	pclk_bigcore1_root_sel pclk_bigcore1_root clock mux. 2'b00: clk_matrix_100m_src 2'b01: clk_matrix_50m_src 2'b10: xin_osc0_func

**BIGCORE1CRU GATE CON00**

Address: Operational Base + offset (0x0800)

Bit	Attr	Reset Value	Description
31:16	WO	0x0000	write_enable Write enable for lower 16 bits, each bit is individual. 1'b0: Write access disable 1'b1: Write access enable
15	RW	0x0	pclk_bigcore1_biu_en pclk_bigcore1_biu clock gating control. When high, disable clock
14	RW	0x0	pclk_bigcore1_root_en pclk_bigcore1_root clock gating control. When high, disable clock

Bit	Attr	Reset Value	Description
13	RW	0x0	clk_core_bigcore1_pvtm_en clk_core_bigcore1_pvtm clock gating control. When high, disable clock
12	RW	0x0	clk_bigcore1_pvtm_en clk_bigcore1_pvtm clock gating control. When high, disable clock
11	RW	0x0	refclk_bigcore1_pvtpll_en refclk_bigcore1_pvtpll clock gating control. When high, disable clock
10	RW	0x1	clk_testout_b1_en clk_testout_b1 clock gating control. When high, disable clock
9:8	RO	0x0	reserved
7	RW	0x0	clk_core_b3_uc_en clk_core_b3_uc clock gating control. When high, disable clock
6	RW	0x0	clk_core_b3_clean_en clk_core_b3_clean clock gating control. When high, disable clock
5:4	RO	0x0	reserved
3	RW	0x0	clk_core_b2_uc_en clk_core_b2_uc clock gating control. When high, disable clock
2	RW	0x0	clk_core_b2_clean_en clk_core_b2_clean clock gating control. When high, disable clock
1	RW	0x0	clk_core_b23_i_en clk_core_b23_i clock gating control. When high, disable clock
0	RO	0x0	reserved

**BIGCORE1CRU\_GATE\_CON01**

Address: Operational Base + offset (0x0804)

Bit	Attr	Reset Value	Description
31:16	WO	0x0000	write_enable Write enable for lower 16 bits, each bit is individual. 1'b0: Write access disable 1'b1: Write access enable
15:5	RO	0x000	reserved
4	RW	0x0	clk_24m_bigcore1_cpufreq_en clk_24m_bigcore1_cpufreq clock gating control. When high, disable clock
3	RW	0x0	pclk_bigcore1_cpufreq_en pclk_bigcore1_cpufreq clock gating control. When high, disable clock
2	RW	0x0	pclk_bigcore1_cru_en pclk_bigcore1_cru clock gating control. When high, disable clock
1	RW	0x0	pclk_bigcore1_grf_en pclk_bigcore1_grf clock gating control. When high, disable clock
0	RW	0x0	pclk_bigcore1_pvtm_en pclk_bigcore1_pvtm clock gating control. When high, disable clock



**BIGCORE1CRU SOFTRST CON00**

Address: Operational Base + offset (0x0A00)

Bit	Attr	Reset Value	Description
31:16	WO	0x0000	write_enable Write enable for lower 16 bits, each bit is individual. 1'b0: Write access disable 1'b1: Write access enable
15	RW	0x0	presetn_bigcore1_biu When high, reset relative logic
14:13	RO	0x0	reserved
12	RW	0x0	resetrn_bigcore1_pvtm When high, reset relative logic
11	RW	0x0	resetrn_bigcore1_pvtpll When high, reset relative logic
10	RO	0x0	reserved
9	RW	0x1	ncorerreset_b3 When high, reset relative logic
8	RW	0x1	ncpuporeset_b3 When high, reset relative logic
7:6	RO	0x0	reserved
5	RW	0x1	ncorerreset_b2 When high, reset relative logic
4	RW	0x1	ncpuporeset_b2 When high, reset relative logic
3:0	RO	0x0	reserved

**BIGCORE1CRU SOFTRST CON01**

Address: Operational Base + offset (0x0A04)

Bit	Attr	Reset Value	Description
31:16	WO	0x0000	write_enable Write enable for lower 16 bits, each bit is individual. 1'b0: Write access disable 1'b1: Write access enable
15:5	RO	0x000	reserved
4	RW	0x0	resetrn_24m_bigcore1_cpustart When high, reset relative logic
3	RW	0x0	presetn_bigcore1_cpustart When high, reset relative logic
2	RW	0x0	presetn_bigcore1_cru When high, reset relative logic
1	RW	0x0	presetn_bigcore1_grf When high, reset relative logic
0	RW	0x0	presetn_bigcore1_pvtm When high, reset relative logic

**BIGCORE1CRU SMOTH DIVFREE CON06**

Address: Operational Base + offset (0x0CC0)

Bit	Attr	Reset Value	Description
31:16	RW	0x0000	clk_core_b2_uc_freq_keep freq_keep Cycles to keep every step.

Bit	Attr	Reset Value	Description
15	RW	0x0	clk_core_b2_uc_bypass bypass Division signal bypass. 1'b1: Bypass. 1'b0: Use Smoothdiv to control clock division.
14	RW	0x0	clk_core_b2_uc_gate_smth_en gate_smth_en If trigger smoothdiv function when clk been gated. 1'b1: Enable. 1'b0: Disable.
13	RW	0x0	clk_core_b2_uc_smdiv_clk_off smdiv_clk_off Turn off smoothdiv module clk. 1'b1: Turn off. 1'b0: Turn on.
12:5	RO	0x00	reserved
4:0	RW	0x00	clk_core_b2_uc_step step Step of div from 0x1f to setting configuration .

**BIGCORE1CRU SMOTH DIVFREE CON07**

Address: Operational Base + offset (0x0CC4)

Bit	Attr	Reset Value	Description
31:16	RW	0x0000	clk_core_b3_uc_freq_keep freq_keep Cycles to keep every step.
15	RW	0x0	clk_core_b3_uc_bypass bypass Division signal bypass. 1'b1: Bypass. 1'b0: Use Smoothdiv to control clock division.
14	RW	0x0	clk_core_b3_uc_gate_smth_en gate_smth_en If trigger smoothdiv function when clk been gated. 1'b1: Enable. 1'b0: Disable.
13	RW	0x0	clk_core_b3_uc_smdiv_clk_off smdiv_clk_off Turn off smoothdiv module clk. 1'b1: Turn off. 1'b0: Turn on.
12:5	RO	0x00	reserved
4:0	RW	0x00	clk_core_b3_uc_step step Step of div from 0x1f to setting configuration .

**BIGCORE1CRU AUTOCS CLK CORE B23 I CON0**

Address: Operational Base + offset (0x0D00)

Bit	Attr	Reset Value	Description
31:16	RW	0x0020	clk_core_b23_i_wait_th wait_th Wait time threshold, measured by original clk.
15:0	RW	0x0004	clk_core_b23_i_idle_th idle_th Idle time threshold, measured by original clk.

**BIGCORE1CRU AUTOCS CLK CORE B23 I CON1**

Address: Operational Base + offset (0x0D04)

Bit	Attr	Reset Value	Description
31:16	WO	0x0000	write_enable Write enable for lower 16 bits, each bit is individual. 1'b0: Write access disable 1'b1: Write access enable
15:14	RW	0x0	clk_core_b23_i_clkselect_cfg clkselect_cfg Auto switch clock selection. 2'b00: Original clk 2'b01: xin_osc0_func_div 2'b10: clk_rtc_32k
13	RW	0x0	clk_core_b23_i_switch_en switch_en 1'b1: Enable clk_core_b23_i switched to lower frequency when module is inactive. 1'b0: Disable auto switch function.
12	RW	0x0	clk_core_b23_i_autoclock_en autoclock_en 1'b1: Enable clk_core_b23_i switch to lower frequency. 1'b0: Disable.
11:0	RW	0x000	clk_core_b23_i_autoclock_ctrl autoclock_ctrl 12'hfff: Enable clk_core_b23_i switch to lower frequency. 12'h000: Disable. Others: Reserved.

**2.11 DSUCRU Register Description**

**2.11.1 Registers Summary**

Name	Offset	Size	Reset Value	Description
<u>DSUCRU_LPLL_CON0</u>	0x0040	W	0x00000000	LPLL configuration register 0
<u>DSUCRU_LPLL_CON1</u>	0x0044	W	0x00000000	LPLL configuration register 1
<u>DSUCRU_LPLL_CON4</u>	0x0050	W	0x00000002	LPLL configuration register 4
<u>DSUCRU_LPLL_CON5</u>	0x0054	W	0x000007E0	LPLL configuration register 5
<u>DSUCRU_LPLL_CON6</u>	0x0058	W	0x00000000	LPLL configuration register 6
<u>DSUCRU_MODE_CON00</u>	0x0280	W	0x00000000	Internal PLL mode select register 0
<u>DSUCRU_CLKSEL_CON00</u>	0x0300	W	0x00002000	Internal clock select and division register 0
<u>DSUCRU_CLKSEL_CON01</u>	0x0304	W	0x00001082	Internal clock select and division register 1
<u>DSUCRU_CLKSEL_CON02</u>	0x0308	W	0x00000843	Internal clock select and division register 2
<u>DSUCRU_CLKSEL_CON03</u>	0x030C	W	0x00000063	Internal clock select and division register 3
<u>DSUCRU_CLKSEL_CON04</u>	0x0310	W	0x00000643	Internal clock select and division register 4
<u>DSUCRU_CLKSEL_CON05</u>	0x0314	W	0x0000023F	Internal clock select and division register 5

<b>Name</b>	<b>Offset</b>	<b>Size</b>	<b>Reset Value</b>	<b>Description</b>
<u>DSUCRU_CLKSEL_CON06</u>	0x0318	W	0x00000081	Internal clock select and division register 6
<u>DSUCRU_CLKSEL_CON07</u>	0x031C	W	0x00000081	Internal clock select and division register 7
<u>DSUCRU_GATE_CON00</u>	0x0800	W	0x00000000	Internal clock gate and division register 0
<u>DSUCRU_GATE_CON01</u>	0x0804	W	0x00000000	Internal clock gate and division register 1
<u>DSUCRU_GATE_CON02</u>	0x0808	W	0x00000020	Internal clock gate and division register 2
<u>DSUCRU_GATE_CON03</u>	0x080C	W	0x00000000	Internal clock gate and division register 3
<u>DSUCRU_SOFTRST_CON00</u>	0x0A00	W	0x00000000	Internal clock reset register 0
<u>DSUCRU_SOFTRST_CON01</u>	0x0A04	W	0x00000000	Internal clock reset register 1
<u>DSUCRU_SOFTRST_CON02</u>	0x0A08	W	0x00000000	Internal clock reset register 2
<u>DSUCRU_SOFTRST_CON03</u>	0x0A0C	W	0x00000000	Internal clock reset register 3
<u>DSUCRU_AUTOCS_ACLK_M_DSU_BIU_CON0</u>	0x0D00	W	0x00200004	Auto clock switch control register 0
<u>DSUCRU_AUTOCS_ACLK_M_DSU_BIU_CON1</u>	0x0D04	W	0x00000000	Auto clock switch control register 1
<u>DSUCRU_AUTOCS_ACLK_S_DSU_BIU_CON0</u>	0x0D08	W	0x00200004	Auto clock switch control register 0
<u>DSUCRU_AUTOCS_ACLK_S_DSU_BIU_CON1</u>	0x0D0C	W	0x00000000	Auto clock switch control register 1
<u>DSUCRU_AUTOCS_ACLK_MP_DSU_BIU_CON0</u>	0x0D10	W	0x00200004	Auto clock switch control register 0
<u>DSUCRU_AUTOCS_ACLK_MP_DSU_BIU_CON1</u>	0x0D14	W	0x00000000	Auto clock switch control register 1
<u>DSUCRU_AUTOCS_SCLK_DSU_SRC_CON0</u>	0x0D18	W	0x00200004	Auto clock switch control register 0
<u>DSUCRU_AUTOCS_SCLK_DSU_SRC_CON1</u>	0x0D1C	W	0x00000000	Auto clock switch control register 1
<u>DSUCRU_AUTOCS_CLK_CORE_L_CON0</u>	0x0D20	W	0x00200004	Auto clock switch control register 0
<u>DSUCRU_AUTOCS_CLK_CORE_L_CON1</u>	0x0D24	W	0x00000000	Auto clock switch control register 1
<u>DSUCRU_QCHANNEL_CON00</u>	0x0F00	W	0x00000000	Qchannel control register 1
<u>DSUCRU_SMOOTH_DIVFRE_E_CON00</u>	0x0F10	W	0x00000000	Smoothdiv control register
<u>DSUCRU_SMOOTH_DIVFRE_E_CON01</u>	0x0F14	W	0x00000000	Smoothdiv control register
<u>DSUCRU_SMOOTH_DIVFRE_E_CON02</u>	0x0F18	W	0x00000000	Smoothdiv control register
<u>DSUCRU_SMOOTH_DIVFRE_E_CON03</u>	0x0F1C	W	0x00000000	Smoothdiv control register

Notes: **Size:** **B**- Byte (8 bits) access, **HW**- Half WORD (16 bits) access, **W**-WORD (32 bits) access, **DW**- Double WORD (64 bits) access

### 2.11.2 Detail Registers Description

**DSUCRU LPLL CON0**

Address: Operational Base + offset (0x0040)

Bit	Attr	Reset Value	Description
31:16	WO	0x0000	write_enable Write enable for lower 16 bits, each bit is individual. 1'b0: Write access disable 1'b1: Write access enable
15	RW	0x0	lpll_bp BYPASS: Bypass mode control signal. 1'b1: bypass mode is enabled. (FOUT = FIN). 1'b0: PLL operates normally.
14:10	RO	0x00	reserved
9:0	RW	0x000	lpll_m M: Division value of the 10-bit programmable main-divider. PLL has to be reset if M value is changed. 64 <= pll_m <= 1023

**DSUCRU LPLL CON1**

Address: Operational Base + offset (0x0044)

Bit	Attr	Reset Value	Description
31:16	WO	0x0000	write_enable Write enable for lower 16 bits, each bit is individual. 1'b0: Write access disable 1'b1: Write access enable
15:14	RO	0x0	reserved
13	RW	0x0	lpll_resetb RESETB: Power down control signal. 1'b0: RESETB=0 from 1, PLL starts its normal operation after lock time. 1'b1: RESETB=1, power down mode is enabled and all digital blocks are reset.
12:9	RO	0x0	reserved
8:6	RW	0x0	lpll_s Division value of the 3-bit programmable scaler. 0 <= pll_s <= 6
5:0	RW	0x00	lpll_p P: Division value of the 6-bit programmable pre-divider. PLL has to be reset if P value is changed. 1 <= pll_p <= 63

**DSUCRU LPLL CON4**

Address: Operational Base + offset (0x0050)

Bit	Attr	Reset Value	Description
31:16	WO	0x0000	write_enable Write enable for lower 16 bits, each bit is individual. 1'b0: Write access disable 1'b1: Write access enable
15	RW	0x0	lpll_fsel FSEL: Monitoring pin. 1'b0: FEED_OUT = FREE. 1'b1: FEED_OUT = FEED.
14	RW	0x0	lpll_feed_en FEED_EN: Monitoring pin. 1'b0: FEED_OUT is disabled. 1'b1: FEED_OUT is enabled.
13:9	RO	0x00	reserved

Bit	Attr	Reset Value	Description
8:4	RW	0x00	lppll_extafc EXTAFC: Monitoring pin. If pll_afc_enb=1, AFC is disabled and VCO is calibrated manually by pll_extafc[4:0] for the test of VCO range.
3	RW	0x0	lppll_afc_enb AFC_ENB: Monitoring pin. 1'b0: AFC is enabled and VCO is calibrated automatically. 1'b1: AFC is disabled and VCO is calibrated manually by pll_extafc[4:0] for the test of VCO range.
2:1	RW	0x1	lppll_icp Charge-pump current control signal.
0	RO	0x0	reserved

**DSUCRU LPLL CON5**

Address: Operational Base + offset (0x0054)

Bit	Attr	Reset Value	Description
31:16	WO	0x0000	write_enable Write enable for lower 16 bits, each bit is individual. 1'b0: Write access disable 1'b1: Write access enable
15:11	RO	0x00	reserved
10:9	RW	0x3	lppll_lock_con_dly LOCK_CON_DLY: Lock detector setting of the detection resolution.
8:7	RW	0x3	lppll_lock_con_out LOCK_CON_OUT: Lock detector setting of the output margin.
6:5	RW	0x3	lppll_lock_con_in LOCK_CON_IN: Lock detector setting of the input margin.
4:1	RO	0x0	reserved
0	RW	0x0	lppll_fout_mask FOUT_MASK: Scaler's re-initialization time control pin.

**DSUCRU LPLL CON6**

Address: Operational Base + offset (0x0058)

Bit	Attr	Reset Value	Description
31:16	WO	0x0000	write_enable Write enable for lower 16 bits, each bit is individual. 1'b0: Write access disable 1'b1: Write access enable
15	RW	0x0	lppll_lock LOCK: PLL lock flag. 1'b0: PLL is unlocked. 1'b1: PLL is locked.
14:10	RW	0x00	lppll_afc_code AFC_CODE: Monitoring pin. Output code of AFC(5 bits).
9:0	RO	0x000	reserved

**DSUCRU MODE CON00**

Address: Operational Base + offset (0x0280)

Bit	Attr	Reset Value	Description
31:16	WO	0x0000	write_enable Write enable for lower 16 bits, each bit is individual. 1'b0: Write access disable 1'b1: Write access enable

Bit	Attr	Reset Value	Description
15:2	RO	0x0000	reserved
1:0	RW	0x0	clk_lpll_mode clk_lpll_mux clock mux. 2'b00: xin_osc0_func 2'b01: clk_lpll 2'b10: clk_deepslow

**DSUCRU\_CLKSEL\_CON00**

Address: Operational Base + offset (0x0300)

Bit	Attr	Reset Value	Description
31:16	WO	0x0000	write_enable Write enable for lower 16 bits, each bit is individual. 1'b0: Write access disable 1'b1: Write access enable
15:14	RO	0x0	reserved
13:12	RW	0x2	sclk_dsu_df_src_sel sclk_dsu_df_src clock mux. 2'b00: clk_b0pll_mux 2'b01: clk_b1pll_mux 2'b10: clk_lpll_mux 2'b11: clk_gppll_mux
11:7	RW	0x00	sclk_dsu_df_src_div Divide sclk_dsu_df_src by (div_con + 1).
6:0	RO	0x00	reserved

**DSUCRU\_CLKSEL\_CON01**

Address: Operational Base + offset (0x0304)

Bit	Attr	Reset Value	Description
31:16	WO	0x0000	write_enable Write enable for lower 16 bits, each bit is individual. 1'b0: Write access disable 1'b1: Write access enable
15:11	RW	0x02	aclk_mp_dsu_div Divide aclk_mp_dsu by (div_con + 1).
10:6	RW	0x02	aclks_dsu_div Divide aclks_dsu by (div_con + 1).
5:1	RW	0x01	aclkm_dsu_div Divide aclkm_dsu by (div_con + 1).
0	RW	0x0	sclk_dsu_src_t_sel sclk_dsu_src_t clock mux. 1'b0: sclk_dsu_src 1'b1: clk_dsu_pvtpll_t

**DSUCRU\_CLKSEL\_CON02**

Address: Operational Base + offset (0x0308)

Bit	Attr	Reset Value	Description
31:16	WO	0x0000	write_enable Write enable for lower 16 bits, each bit is individual. 1'b0: Write access disable 1'b1: Write access enable
15	RO	0x0	reserved
14:10	RW	0x02	tsclk_dsu_div Divide tsclk_dsu by (div_con + 1).

Bit	Attr	Reset Value	Description
9:5	RW	0x02	cntclk_dsu_div Divide cntclk_dsu by (div_con + 1).
4:0	RW	0x03	periphclk_dsu_div Divide periphclk_dsu by (div_con + 1).

**DSUCRU\_CLKSEL\_CON03**

Address: Operational Base + offset (0x030C)

Bit	Attr	Reset Value	Description
31:16	WO	0x0000	write_enable Write enable for lower 16 bits, each bit is individual. 1'b0: Write access disable 1'b1: Write access enable
15:10	RO	0x00	reserved
9:5	RW	0x03	gicclk_dsu_t_div Divide gicclk_dsu_t by (div_con + 1).
4:0	RW	0x03	atclk_dsu_div Divide atclk_dsu by (div_con + 1).

**DSUCRU\_CLKSEL\_CON04**

Address: Operational Base + offset (0x0310)

Bit	Attr	Reset Value	Description
31:16	WO	0x0000	write_enable Write enable for lower 16 bits, each bit is individual. 1'b0: Write access disable 1'b1: Write access enable
15:13	RO	0x0	reserved
12:11	RW	0x0	pclk_dsu_s_root_sel pclk_dsu_s_root clock mux. 2'b00: clk_matrix_100m_src 2'b01: clk_matrix_50m_src 2'b10: xin_osc0_func
10	RW	0x1	refclk_dsu_pvtpll_sel refclk_dsu_pvtpll clock mux. 1'b0: sclk_dsu_src 1'b1: xin_osc0_func
9	RW	0x1	refclk_litcore_pvtpll_sel refclk_litcore_pvtpll clock mux. 1'b0: clk_core_l 1'b1: xin_osc0_func
8:7	RW	0x0	pclk_dsu_ns_root_sel pclk_dsu_ns_root clock mux. 2'b00: clk_matrix_100m_src 2'b01: clk_matrix_50m_src 2'b10: xin_osc0_func
6:5	RW	0x2	pclk_dsu_root_sel pclk_dsu_root clock mux. 2'b00: clk_b0pll_mux 2'b01: clk_b1pll_mux 2'b10: clk_lpll_mux 2'b11: clk_gpll_mux
4:0	RW	0x03	pclk_dsu_root_div Divide pclk_dsu_root by (div_con + 1).

**DSUCRU\_CLKSEL\_CON05**

Address: Operational Base + offset (0x0314)



Bit	Attr	Reset Value	Description
31:16	WO	0x0000	write_enable Write enable for lower 16 bits, each bit is individual. 1'b0: Write access disable 1'b1: Write access enable
15:14	RW	0x0	clk_core_l_src_sel clk_core_l_src clock mux. 2'b00: clk_core_l_slow_src 2'b01: clk_core_l_gppll_src 2'b10: clk_lpll
13:9	RW	0x01	clk_core_l_gppll_src_div Divide clk_core_l_gppll_src by (div_con + 1).
8	RW	0x0	clk_core_l_slow_src_sel clk_core_l_slow_src clock mux. 1'b0: xin_osc0_func 1'b1: clk_deepslow
7:6	RW	0x0	clk_testout_l_sel clk_testout_l clock mux. 2'b00: clk_lpll 2'b01: clk_core_l_pvtppll 2'b10: sclk_dsu_src 2'b11: clk_dsu_pvtppll
5:0	RW	0x3f	clk_testout_l_div Divide clk_testout_l by (div_con + 1).

**DSUCRU\_CLKSEL\_CON06**

Address: Operational Base + offset (0x0318)

Bit	Attr	Reset Value	Description
31:16	WO	0x0000	write_enable Write enable for lower 16 bits, each bit is individual. 1'b0: Write access disable 1'b1: Write access enable
15:14	RO	0x0	reserved
13:12	RW	0x0	clk_core_l1_sel clk_core_l1 clock mux. 2'b00: clk_core_l1_uc 2'b01: clk_core_l1_clean 2'b10: clk_core_l_pvtppll_t
11:7	RW	0x01	clk_core_l1_uc_div Divide clk_core_l1_uc by (div_con + 1).
6:5	RW	0x0	clk_core_l0_sel clk_core_l0 clock mux. 2'b00: clk_core_l0_uc 2'b01: clk_core_l0_clean 2'b10: clk_core_l_pvtppll_t
4:0	RW	0x01	clk_core_l0_uc_div Divide clk_core_l0_uc by (div_con + 1).

**DSUCRU\_CLKSEL\_CON07**

Address: Operational Base + offset (0x031C)

Bit	Attr	Reset Value	Description
31:16	WO	0x0000	write_enable Write enable for lower 16 bits, each bit is individual. 1'b0: Write access disable 1'b1: Write access enable

Bit	Attr	Reset Value	Description
15	RW	0x0	clk_dsu_pvtpll_t_sel clk_dsu_pvtpll_t clock mux. 1'b0: clk_deepslow 1'b1: clk_dsu_pvtpll
14	RW	0x0	clk_core_l_pvtpll_t_sel clk_core_l_pvtpll_t clock mux. 1'b0: clk_deepslow 1'b1: clk_core_l_pvtpll
13:12	RW	0x0	clk_core_l3_sel clk_core_l3 clock mux. 2'b00: clk_core_l3_uc 2'b01: clk_core_l3_clean 2'b10: clk_core_l_pvtpll_t
11:7	RW	0x01	clk_core_l3_uc_div Divide clk_core_l3_uc by (div_con + 1).
6:5	RW	0x0	clk_core_l2_sel clk_core_l2 clock mux. 2'b00: clk_core_l2_uc 2'b01: clk_core_l2_clean 2'b10: clk_core_l_pvtpll_t
4:0	RW	0x01	clk_core_l2_uc_div Divide clk_core_l2_uc by (div_con + 1).

**DSUCRU\_GATE\_CON00**

Address: Operational Base + offset (0x0800)

Bit	Attr	Reset Value	Description
31:16	WO	0x0000	write_enable Write enable for lower 16 bits, each bit is individual. 1'b0: Write access disable 1'b1: Write access enable
15	RW	0x0	tsclk_dsu_en tsclk_dsu clock gating control. When high, disable clock
14	RW	0x0	cntclk_dsu_en cntclk_dsu clock gating control. When high, disable clock
13	RW	0x0	periphclk_dsu_en periphclk_dsu clock gating control. When high, disable clock
12	RW	0x0	aclk_mp_dsu_en aclk_mp_dsu clock gating control. When high, disable clock
11	RW	0x0	aclk_s_dsu_biu_en aclk_s_dsu_biu clock gating control. When high, disable clock
10	RW	0x0	aclk_m_dsu_biu_en aclk_m_dsu_biu clock gating control. When high, disable clock
9	RW	0x0	aclks_dsu_en aclks_dsu clock gating control. When high, disable clock
8	RW	0x0	aclkm_dsu_en aclkm_dsu clock gating control. When high, disable clock
7	RO	0x0	reserved

Bit	Attr	Reset Value	Description
6	RW	0x0	sclk_dsu_en sclk_dsu clock gating control. When high, disable clock
5	RW	0x0	sclk_dsu_src_t_en sclk_dsu_src_t clock gating control. When high, disable clock
4	RW	0x0	sclk_dsu_src_en sclk_dsu_src clock gating control. When high, disable clock
3	RW	0x0	sclk_dsu_np5_div2_src_en sclk_dsu_np5_div2_src clock gating control. When high, disable clock
2	RW	0x0	sclk_dsu_np5_src_en sclk_dsu_np5_src clock gating control. When high, disable clock
1	RW	0x0	sclk_dsu_df_div2_src_en sclk_dsu_df_div2_src clock gating control. When high, disable clock
0	RW	0x0	sclk_dsu_df_src_en sclk_dsu_df_src clock gating control. When high, disable clock

**DSUCRU\_GATE\_CON01**

Address: Operational Base + offset (0x0804)

Bit	Attr	Reset Value	Description
31:16	WO	0x0000	write_enable Write enable for lower 16 bits, each bit is individual. 1'b0: Write access disable 1'b1: Write access enable
15	RW	0x0	refclk_dsu_pvtpll_en refclk_dsu_pvtpll clock gating control. When high, disable clock
14	RW	0x0	refclk_litcore_pvtpll_en refclk_litcore_pvtpll clock gating control. When high, disable clock
13:12	RO	0x0	reserved
11	RW	0x0	pclk_dsu_grf_en pclk_dsu_grf clock gating control. When high, disable clock
10	RW	0x0	pclk_m_daplite_biu_en pclk_m_daplite_biu clock gating control. When high, disable clock
9	RW	0x0	pclk_m_daplite_en pclk_m_daplite clock gating control. When high, disable clock
8	RW	0x0	pclk_s_daplite_en pclk_s_daplite clock gating control. When high, disable clock
7	RW	0x0	pclk_dbg_en pclk_dbg clock gating control. When high, disable clock
6	RW	0x0	pclk_dsu_en pclk_dsu clock gating control. When high, disable clock

Bit	Attr	Reset Value	Description
5	RW	0x0	pclk_dsu_biu_en pclk_dsu_biu clock gating control. When high, disable clock
4	RW	0x0	pclk_dsu_ns_root_en pclk_dsu_ns_root clock gating control. When high, disable clock
3	RW	0x0	pclk_dsu_root_en pclk_dsu_root clock gating control. When high, disable clock
2	RW	0x0	aclk_adb_dsu_en aclk_adb_dsu clock gating control. When high, disable clock
1	RW	0x0	gicclk_dsu_t_en gicclk_dsu_t clock gating control. When high, disable clock
0	RW	0x0	atclk_dsu_en atclk_dsu clock gating control. When high, disable clock

**DSUCRU\_GATE\_CON02**

Address: Operational Base + offset (0x0808)

Bit	Attr	Reset Value	Description
31:16	WO	0x0000	write_enable Write enable for lower 16 bits, each bit is individual. 1'b0: Write access disable 1'b1: Write access enable
15	RW	0x0	clk_core_l_div2_src_en clk_core_l_div2_src clock gating control. When high, disable clock
14	RW	0x0	clk_core_l3_clean_en clk_core_l3_clean clock gating control. When high, disable clock
13	RW	0x0	clk_core_l2_clean_en clk_core_l2_clean clock gating control. When high, disable clock
12	RW	0x0	clk_core_l1_clean_en clk_core_l1_clean clock gating control. When high, disable clock
11	RW	0x0	clk_core_l0_clean_en clk_core_l0_clean clock gating control. When high, disable clock
10	RW	0x0	clk_24m_litcore_cpufreq_en clk_24m_litcore_cpufreq clock gating control. When high, disable clock
9	RW	0x0	pclk_litcore_cpufreq_en pclk_litcore_cpufreq clock gating control. When high, disable clock
8	RW	0x0	pclk_dsu_cru_en pclk_dsu_cru clock gating control. When high, disable clock
7	RW	0x0	pclk_litcore_grf_en pclk_litcore_grf clock gating control. When high, disable clock

Bit	Attr	Reset Value	Description
6	RW	0x0	pclk_litcore_pvtm_en pclk_litcore_pvtm clock gating control. When high, disable clock
5	RW	0x1	clk_testout_l_en clk_testout_l clock gating control. When high, disable clock
4	RW	0x0	pclk_dsu_sgrf_en pclk_dsu_sgrf clock gating control. When high, disable clock
3	RW	0x0	pclk_dsu_s_biu_en pclk_dsu_s_biu clock gating control. When high, disable clock
2	RW	0x0	pclk_dsu_s_root_en pclk_dsu_s_root clock gating control. When high, disable clock
1	RW	0x0	clk_core_litcore_pvtm_en clk_core_litcore_pvtm clock gating control. When high, disable clock
0	RW	0x0	clk_litcore_pvtm_en clk_litcore_pvtm clock gating control. When high, disable clock

**DSUCRU\_GATE\_CON03**

Address: Operational Base + offset (0x080C)

Bit	Attr	Reset Value	Description
31:16	WO	0x0000	write_enable Write enable for lower 16 bits, each bit is individual. 1'b0: Write access disable 1'b1: Write access enable
15	RO	0x0	reserved
14	RW	0x0	gicclk_dsu_en gicclk_dsu clock gating control. When high, disable clock
13	RW	0x0	ack_mp_dsu_biu_en ack_mp_dsu_biu clock gating control. When high, disable clock
12:11	RO	0x0	reserved
10	RW	0x0	clk_core_l3_uc_en clk_core_l3_uc clock gating control. When high, disable clock
9:8	RO	0x0	reserved
7	RW	0x0	clk_core_l2_uc_en clk_core_l2_uc clock gating control. When high, disable clock
6:5	RO	0x0	reserved
4	RW	0x0	clk_core_l1_uc_en clk_core_l1_uc clock gating control. When high, disable clock
3:2	RO	0x0	reserved
1	RW	0x0	clk_core_l0_uc_en clk_core_l0_uc clock gating control. When high, disable clock
0	RW	0x0	clk_core_l_en clk_core_l clock gating control. When high, disable clock

**DSUCRU SOFTRST CON00**

Address: Operational Base + offset (0x0A00)

Bit	Attr	Reset Value	Description
31:16	WO	0x0000	write_enable Write enable for lower 16 bits, each bit is individual. 1'b0: Write access disable 1'b1: Write access enable
15:14	RO	0x0	reserved
13	RW	0x0	nperiphreset_dsu When high, reset relative logic
12	RO	0x0	reserved
11	RW	0x0	aresetn_s_dsu_biu When high, reset relative logic
10	RW	0x0	aresetn_m_dsu_biu When high, reset relative logic
9:8	RO	0x0	reserved
7	RW	0x0	nsreset_dsu When high, reset relative logic
6	RW	0x0	nsporeset_dsu When high, reset relative logic
5:0	RO	0x00	reserved

**DSUCRU SOFTRST CON01**

Address: Operational Base + offset (0x0A04)

Bit	Attr	Reset Value	Description
31:16	WO	0x0000	write_enable Write enable for lower 16 bits, each bit is individual. 1'b0: Write access disable 1'b1: Write access enable
15	RW	0x0	resetn_dsu_pvtpll When high, reset relative logic
14	RW	0x0	resetn_litcore_pvtpll When high, reset relative logic
13	RW	0x0	ntreset_jtag When high, reset relative logic
12	RW	0x0	poresetn_jtag When high, reset relative logic
11	RW	0x0	presetn_dsu_grf When high, reset relative logic
10	RW	0x0	presetn_m_daplite_biu When high, reset relative logic
9	RW	0x0	presetn_m_daplite When high, reset relative logic
8	RW	0x0	presetn_s_daplite When high, reset relative logic
7	RW	0x0	presetn_dbg When high, reset relative logic
6	RW	0x0	npreset_dsu When high, reset relative logic
5	RW	0x0	presetn_dsu_biu When high, reset relative logic
4:3	RO	0x0	reserved
2	RW	0x0	aresetn_adb_dsu When high, reset relative logic

Bit	Attr	Reset Value	Description
1	RO	0x0	reserved
0	RW	0x0	natreset_dsu When high, reset relative logic

**DSUCRU SOFTRST CON02**

Address: Operational Base + offset (0x0A08)

Bit	Attr	Reset Value	Description
31:16	WO	0x0000	write_enable Write enable for lower 16 bits, each bit is individual. 1'b0: Write access disable 1'b1: Write access enable
15:11	RO	0x00	reserved
10	RW	0x0	resetrn_24m_litcore_cpufreq When high, reset relative logic
9	RW	0x0	presetrn_litcore_cpufreq When high, reset relative logic
8	RW	0x0	presetrn_dsu_cru When high, reset relative logic
7	RW	0x0	presetrn_litcore_grf When high, reset relative logic
6	RW	0x0	presetrn_litcore_pvtm When high, reset relative logic
5	RO	0x0	reserved
4	RW	0x0	presetrn_dsu_sgrf When high, reset relative logic
3	RW	0x0	presetrn_dsu_s_biu When high, reset relative logic
2:1	RO	0x0	reserved
0	RW	0x0	resetrn_litcore_pvtm When high, reset relative logic

**DSUCRU SOFTRST CON03**

Address: Operational Base + offset (0x0A0C)

Bit	Attr	Reset Value	Description
31:16	WO	0x0000	write_enable Write enable for lower 16 bits, each bit is individual. 1'b0: Write access disable 1'b1: Write access enable
15	RO	0x0	reserved
14	RW	0x0	ngicreset_dsu When high, reset relative logic
13	RW	0x0	aresetrn_mp_dsu_biu When high, reset relative logic
12	RW	0x0	ncorerestest_I3 When high, reset relative logic
11	RW	0x0	ncpuporestest_I3 When high, reset relative logic
10	RO	0x0	reserved
9	RW	0x0	ncorerestest_I2 When high, reset relative logic
8	RW	0x0	ncpuporestest_I2 When high, reset relative logic
7	RO	0x0	reserved

Bit	Attr	Reset Value	Description
6	RW	0x0	ncorerest_l1 When high, reset relative logic
5	RW	0x0	ncpuporest_l1 When high, reset relative logic
4	RO	0x0	reserved
3	RW	0x0	ncorerest_l0 When high, reset relative logic
2	RW	0x0	ncpuporest_l0 When high, reset relative logic
1:0	RO	0x0	reserved

**DSUCRU AUTOCS ACLK M DSU BIU CON0**

Address: Operational Base + offset (0x0D00)

Bit	Attr	Reset Value	Description
31:16	RW	0x0020	aclk_m_dsu_biu_wait_th wait_th Wait time threshold, measured by original clk.
15:0	RW	0x0004	aclk_m_dsu_biu_idle_th idle_th Idle time threshold, measured by original clk.

**DSUCRU AUTOCS ACLK M DSU BIU CON1**

Address: Operational Base + offset (0x0D04)

Bit	Attr	Reset Value	Description
31:16	WO	0x0000	write_enable Write enable for lower 16 bits, each bit is individual. 1'b0: Write access disable 1'b1: Write access enable
15:14	RW	0x0	aclk_m_dsu_biu_clk_sel_cfg clk_sel_cfg Auto switch clock selection. 2'b00: Original clk 2'b01: xin_osc0_func_div 2'b10: clk_rtc_32k
13	RW	0x0	aclk_m_dsu_biu_switch_en switch_en 1'b1: Enable aclk_m_dsu_biu switched to lower frequency when module is inactive. 1'b0: Disable auto switch function.
12	RW	0x0	aclk_m_dsu_biu_autocs_en autocs_en 1'b1: Enable aclk_m_dsu_biu switch to lower frequency. 1'b0: Disable.
11:0	RW	0x000	aclk_m_dsu_biu_autocs_ctrl autocs_ctrl 12'hfff: Enable aclk_m_dsu_biu switch to lower frequency. 12'h000: Disable. Others: Reserved.

**DSUCRU AUTOCS ACLK S DSU BIU CON0**

Address: Operational Base + offset (0x0D08)

Bit	Attr	Reset Value	Description
31:16	RW	0x0020	aclk_s_dsu_biu_wait_th wait_th Wait time threshold, measured by original clk.



Bit	Attr	Reset Value	Description
15:0	RW	0x0004	aclk_s_dsu_biu_idle_th idle_th Idle time threshold, measured by original clk.

**DSUCRU AUTOCS ACLK S DSU BIU CON1**

Address: Operational Base + offset (0x0D0C)

Bit	Attr	Reset Value	Description
31:16	WO	0x0000	write_enable Write enable for lower 16 bits, each bit is individual. 1'b0: Write access disable 1'b1: Write access enable
15:14	RW	0x0	aclk_s_dsu_biu_clkssel_cfg clkssel_cfg Auto switch clock selection. 2'b00: Original clk 2'b01: xin_osc0_func_div 2'b10: clk_rtc_32k
13	RW	0x0	aclk_s_dsu_biu_switch_en switch_en 1'b1: Enable aclk_s_dsu_biu switched to lower frequency when module is inactive. 1'b0: Disable auto switch function.
12	RW	0x0	aclk_s_dsu_biu_autocs_en autocs_en 1'b1: Enable aclk_s_dsu_biu switch to lower frequency. 1'b0: Disable.
11:0	RW	0x000	aclk_s_dsu_biu_autocs_ctrl autocs_ctrl 12'hfff: Enable aclk_s_dsu_biu switch to lower frequency. 12'h000: Disable. Others: Reserved.

**DSUCRU AUTOCS ACLK MP DSU BIU CON0**

Address: Operational Base + offset (0x0D10)

Bit	Attr	Reset Value	Description
31:16	RW	0x0020	aclk_mp_dsu_biu_wait_th wait_th Wait time threshold, measured by original clk.
15:0	RW	0x0004	aclk_mp_dsu_biu_idle_th idle_th Idle time threshold, measured by original clk.

**DSUCRU AUTOCS ACLK MP DSU BIU CON1**

Address: Operational Base + offset (0x0D14)

Bit	Attr	Reset Value	Description
31:16	WO	0x0000	write_enable Write enable for lower 16 bits, each bit is individual. 1'b0: Write access disable 1'b1: Write access enable
15:14	RW	0x0	aclk_mp_dsu_biu_clkssel_cfg clkssel_cfg Auto switch clock selection. 2'b00: Original clk 2'b01: xin_osc0_func_div 2'b10: clk_rtc_32k

Bit	Attr	Reset Value	Description
13	RW	0x0	aclk_mp_dsu_biu_switch_en switch_en 1'b1: Enable aclk_mp_dsu_biu switched to lower frequency when module is inactive. 1'b0: Disable auto switch function.
12	RW	0x0	aclk_mp_dsu_biu_autocs_en autocs_en 1'b1: Enable aclk_mp_dsu_biu switch to lower frequency. 1'b0: Disable.
11:0	RW	0x000	aclk_mp_dsu_biu_autocs_ctrl autocs_ctrl 12'hfff: Enable aclk_mp_dsu_biu switch to lower frequency. 12'h000: Disable. Others: Reserved.

**DSUCRU AUTOCS SCLK DSU SRC CON0**

Address: Operational Base + offset (0x0D18)

Bit	Attr	Reset Value	Description
31:16	RW	0x0020	sclk_dsu_src_wait_th wait_th Wait time threshold, measured by original clk.
15:0	RW	0x0004	sclk_dsu_src_idle_th idle_th Idle time threshold, measured by original clk.

**DSUCRU AUTOCS SCLK DSU SRC CON1**

Address: Operational Base + offset (0x0D1C)

Bit	Attr	Reset Value	Description
31:16	WO	0x0000	write_enable Write enable for lower 16 bits, each bit is individual. 1'b0: Write access disable 1'b1: Write access enable
15:14	RW	0x0	sclk_dsu_src_clkssel_cfg clkssel_cfg Auto switch clock selection. 2'b00: Original clk 2'b01: xin_osc0_func_div 2'b10: clk_rtc_32k
13	RW	0x0	sclk_dsu_src_switch_en switch_en 1'b1: Enable sclk_dsu_src switched to lower frequency when module is inactive. 1'b0: Disable auto switch function.
12	RW	0x0	sclk_dsu_src_autocs_en autocs_en 1'b1: Enable sclk_dsu_src switch to lower frequency. 1'b0: Disable.
11:0	RW	0x000	sclk_dsu_src_autocs_ctrl autocs_ctrl 12'hfff: Enable sclk_dsu_src switch to lower frequency. 12'h000: Disable. Others: Reserved.

**DSUCRU AUTOCS CLK CORE L CON0**

Address: Operational Base + offset (0x0D20)

Bit	Attr	Reset Value	Description
31:16	RW	0x0020	clk_core_l_wait_th wait_th Wait time threshold, measured by original clk.
15:0	RW	0x0004	clk_core_l_idle_th idle_th Idle time threshold, measured by original clk.

**DSUCRU AUTOCS CLK CORE L CON1**

Address: Operational Base + offset (0x0D24)

Bit	Attr	Reset Value	Description
31:16	WO	0x0000	write_enable Write enable for lower 16 bits, each bit is individual. 1'b0: Write access disable 1'b1: Write access enable
15:14	RW	0x0	clk_core_l_clkssel_cfg clkssel_cfg Auto switch clock selection. 2'b00: Original clk 2'b01: xin_osc0_func_div 2'b10: clk_rtc_32k
13	RW	0x0	clk_core_l_switch_en switch_en 1'b1: Enable clk_core_l switched to lower frequency when module is inactive. 1'b0: Disable auto switch function.
12	RW	0x0	clk_core_l_autocs_en autocs_en 1'b1: Enable clk_core_l switch to lower frequency. 1'b0: Disable.
11:0	RW	0x000	clk_core_l_autocs_ctrl autocs_ctrl 12'hfff: Enable clk_core_l switch to lower frequency. 12'h000: Disable. Others: Reserved.

**DSUCRU QCHANNEL CON00**

Address: Operational Base + offset (0x0F00)

Bit	Attr	Reset Value	Description
31:16	WO	0x0000	write_enable Write enable for lower 16 bits, each bit is individual. 1'b0: Write access disable 1'b1: Write access enable
15:12	RO	0x0	reserved
11	RW	0x0	pclk_dbg_qc_gate_en qc_gate_en 1'b1: Enable pclk_dbg qchannel gate function. 1'b1: Disable pclk_dbg qchannel gate function.
10	RW	0x0	pclk_dbg_qc_en qc_en 1'b1: Enable pclk_dbg qchannel. 1'b1: Disable pclk_dbg qchannel.
9	RW	0x0	pclk_dsu_qc_gate_en qc_gate_en 1'b1: Enable pclk_dsu qchannel gate function. 1'b1: Disable pclk_dsu qchannel gate function.

Bit	Attr	Reset Value	Description
8	RW	0x0	pclk_dsu_qc_en qc_en 1'b1: Enable pclk_dsu qchannel. 1'b1: Disable pclk_dsu qchannel.
7	RW	0x0	aclk_adb_dsu_qc_gate_en qc_gate_en 1'b1: Enable aclk_adb_dsu qchannel gate function. 1'b1: Disable aclk_adb_dsu qchannel gate function.
6	RW	0x0	aclk_adb_dsu_qc_en qc_en 1'b1: Enable aclk_adb_dsu qchannel. 1'b1: Disable aclk_adb_dsu qchannel.
5	RW	0x0	gicclk_dsu_qc_gate_en qc_gate_en 1'b1: Enable gicclk_dsu qchannel gate function. 1'b1: Disable gicclk_dsu qchannel gate function.
4	RW	0x0	gicclk_dsu_qc_en qc_en 1'b1: Enable gicclk_dsu qchannel. 1'b1: Disable gicclk_dsu qchannel.
3	RW	0x0	atclk_dsu_qc_gate_en qc_gate_en 1'b1: Enable atclk_dsu qchannel gate function. 1'b1: Disable atclk_dsu qchannel gate function.
2	RW	0x0	atclk_dsu_qc_en qc_en 1'b1: Enable atclk_dsu qchannel. 1'b1: Disable atclk_dsu qchannel.
1	RW	0x0	sclk_dsu_qc_gate_en qc_gate_en 1'b1: Enable sclk_dsu qchannel gate function. 1'b1: Disable sclk_dsu qchannel gate function.
0	RW	0x0	sclk_dsu_qc_en qc_en 1'b1: Enable sclk_dsu qchannel. 1'b1: Disable sclk_dsu qchannel.

**DSUCRU SMOTH DIVFREE CON00**

Address: Operational Base + offset (0x0F10)

Bit	Attr	Reset Value	Description
31:16	RW	0x0000	clk_core_l0_uc_freq_keep freq_keep Cycles to keep every step.
15	RW	0x0	clk_core_l0_uc_bypass bypass Division signal bypass. 1'b1: Bypass. 1'b0: Use Smoothdiv to control clock division.
14	RW	0x0	clk_core_l0_uc_gate_smth_en gate_smth_en If trigger smoothdiv function when clk been gated. 1'b1: Enable. 1'b0: Disable.

Bit	Attr	Reset Value	Description
13	RW	0x0	clk_core_l0_uc_smdiv_clk_off smdiv_clk_off Turn off smoothdiv module clk. 1'b1: Turn off. 1'b0: Turn on.
12:5	RO	0x00	reserved
4:0	RW	0x00	clk_core_l0_uc_step step Step of div from 0x1f to setting configuration .

**DSUCRU SMOTH DIVFREE CON01**

Address: Operational Base + offset (0x0F14)

Bit	Attr	Reset Value	Description
31:16	RW	0x0000	clk_core_l1_uc_freq_keep freq_keep Cycles to keep every step.
15	RW	0x0	clk_core_l1_uc_bypass bypass Division signal bypass. 1'b1: Bypass. 1'b0: Use Smoothdiv to control clock division.
14	RW	0x0	clk_core_l1_uc_gate_smth_en gate_smth_en If trigger smoothdiv function when clk been gated. 1'b1: Enable. 1'b0: Disable.
13	RW	0x0	clk_core_l1_uc_smdiv_clk_off smdiv_clk_off Turn off smoothdiv module clk. 1'b1: Turn off. 1'b0: Turn on.
12:5	RO	0x00	reserved
4:0	RW	0x00	clk_core_l1_uc_step step Step of div from 0x1f to setting configuration .

**DSUCRU SMOTH DIVFREE CON02**

Address: Operational Base + offset (0x0F18)

Bit	Attr	Reset Value	Description
31:16	RW	0x0000	clk_core_l2_uc_freq_keep freq_keep Cycles to keep every step.
15	RW	0x0	clk_core_l2_uc_bypass bypass Division signal bypass. 1'b1: Bypass. 1'b0: Use Smoothdiv to control clock division.
14	RW	0x0	clk_core_l2_uc_gate_smth_en gate_smth_en If trigger smoothdiv function when clk been gated. 1'b1: Enable. 1'b0: Disable.

Bit	Attr	Reset Value	Description
13	RW	0x0	clk_core_l2_uc_smdiv_clk_off smdiv_clk_off Turn off smoothdiv module clk. 1'b1: Turn off. 1'b0: Turn on.
12:5	RO	0x00	reserved
4:0	RW	0x00	clk_core_l2_uc_step step Step of div from 0x1f to setting configuration .

### DSUCRU SMOTH DIVFREE CON03

Address: Operational Base + offset (0x0F1C)

Bit	Attr	Reset Value	Description
31:16	RW	0x0000	clk_core_l3_uc_freq_keep freq_keep Cycles to keep every step.
15	RW	0x0	clk_core_l3_uc_bypass bypass Division signal bypass. 1'b1: Bypass. 1'b0: Use Smoothdiv to control clock division.
14	RW	0x0	clk_core_l3_uc_gate_smth_en gate_smth_en If trigger smoothdiv function when clk been gated. 1'b1: Enable. 1'b0: Disable.
13	RW	0x0	clk_core_l3_uc_smdiv_clk_off smdiv_clk_off Turn off smoothdiv module clk. 1'b1: Turn off. 1'b0: Turn on.
12:5	RO	0x00	reserved
4:0	RW	0x00	clk_core_l3_uc_step step Step of div from 0x1f to setting configuration .

## 2.12 PHPTOPCRU Register Description

### 2.12.1 Registers Summary

Name	Offset	Size	Reset Value	Description
PHPTOPCRU_PPLL_CON0	0x0200	W	0x00000000	PPLL configuration register 0
PHPTOPCRU_PPLL_CON1	0x0204	W	0x00000000	PPLL configuration register 1
PHPTOPCRU_PPLL_CON2	0x0208	W	0x00000000	PPLL configuration register 2
PHPTOPCRU_PPLL_CON3	0x020C	W	0x00000000	PPLL configuration register 3
PHPTOPCRU_PPLL_CON4	0x0210	W	0x00000000	PPLL configuration register 4
PHPTOPCRU_PPLL_CON5	0x0214	W	0x00000000	PPLL configuration register 5
PHPTOPCRU_PPLL_CON6	0x0218	W	0x00000000	PPLL configuration register 6
PHPTOPCRU_GATE_CON0_0	0x0800	W	0x00000000	Internal clock gate and division register 0
PHPTOPCRU_SOFT_RST_CON0_0	0x0A00	W	0x00000000	Internal clock reset register 0

Notes: **Size:** **B**- Byte (8 bits) access, **HW**- Half WORD (16 bits) access, **W**-WORD (32 bits) access, **DW**-

Double WORD (64 bits) access

**2.12.2 Detail Registers Description**

**PHPTOPCRU PPLL CON0**

Address: Operational Base + offset (0x0200)

Bit	Attr	Reset Value	Description
31:16	WO	0x0000	write_enable Write enable for lower 16 bits, each bit is individual. 1'b0: Write access disable 1'b1: Write access enable
15	RW	0x0	ppll_bp BYPASS: Bypass mode control signal. 1'b1: bypass mode is enabled. (FOUT = FIN). 1'b0: PLL operates normally.
14:10	RO	0x00	reserved
9:0	RW	0x000	ppll_m M: Division value of the 10-bit programmable main-divider. PLL has to be reset if M value is changed. 64 <= pll_m <= 1023

**PHPTOPCRU PPLL CON1**

Address: Operational Base + offset (0x0204)

Bit	Attr	Reset Value	Description
31:16	WO	0x0000	write_enable Write enable for lower 16 bits, each bit is individual. 1'b0: Write access disable 1'b1: Write access enable
15:14	RO	0x0	reserved
13	RW	0x0	ppll_reseta RESETA: Power down control signal. 1'b0: RESETA=0 from 1, PLL starts its normal operation after lock time. 1'b1: RESETA=1, power down mode is enabled and all digital blocks are reset.
12:9	RO	0x0	reserved
8:6	RW	0x0	ppll_s Division value of the 3-bit programmable scaler. 0 <= pll_s <= 6
5:0	RW	0x00	ppll_p P: Division value of the 6-bit programmable pre-divider. PLL has to be reset if P value is changed. 1 <= pll_p <= 63

**PHPTOPCRU PPLL CON2**

Address: Operational Base + offset (0x0208)

Bit	Attr	Reset Value	Description
31:16	RO	0x0000	reserved
15:0	RW	0x0000	ppll_k K: Value of 16-bit DSM. pll_k[15:0] is a two's complement integer.

**PHPTOPCRU PPLL CON3**

Address: Operational Base + offset (0x020C)

Bit	Attr	Reset Value	Description
31:16	WO	0x0000	write_enable Write enable for lower 16 bits, each bit is individual. 1'b0: Write access disable 1'b1: Write access enable
15:14	RW	0x0	pll_sel_pf SEL_PF: Value of 2-bit modulation method control. 2'b00: down spread; 2'b01: up spread; 2'b1x: center spread. PLL has to be reset if pll_sel_pf is changed.
13:8	RW	0x00	pll_mrr MRR: Value of 6-bit modulation rate control. PLL has to be reset if pll_mrr is changed.
7:0	RW	0x00	pll_mfr MFR: Value of 8-bit modulation frequency control. PLL has to be reset if pll_mfr is changed.

**PHPTOPCRU PLL CON4**

Address: Operational Base + offset (0x0210)

Bit	Attr	Reset Value	Description
31:16	WO	0x0000	write_enable Write enable for lower 16 bits, each bit is individual. 1'b0: Write access disable 1'b1: Write access enable
15	RW	0x0	pll_fsel FSEL: Monitoring pin. 1'b0: FEED_OUT = FREF. 1'b1: FEED_OUT = FEED.
14	RW	0x0	pll_feed_en FEED_EN: Monitoring pin. 1'b0: FEED_OUT is disabled. 1'b1: FEED_OUT is enabled.
13:9	RO	0x00	reserved
8:4	RW	0x00	pll_extafc EXTAFC: Monitoring pin. If pll_afc_enb=1, AFC is disabled and VCO is calibrated manually by pll_extafc[4:0] for the test of VCO range.
3	RW	0x0	pll_afc_enb AFC_ENB: Monitoring pin. 1'b0: AFC is enabled and VCO is calibrated automatically. 1'b1: AFC is disabled and VCO is calibrated manually by pll_extafc[4:0] for the test of VCO range.
2:1	RO	0x0	reserved
0	RW	0x0	pll_sscg_en SSCG_EN: Enable pin for dithered mode. 1'b0: disable dithered mode. 1'b1: enable dithered mode.

**PHPTOPCRU PLL CON5**

Address: Operational Base + offset (0x0214)

Bit	Attr	Reset Value	Description
31:16	WO	0x0000	write_enable Write enable for lower 16 bits, each bit is individual. 1'b0: Write access disable 1'b1: Write access enable



Bit	Attr	Reset Value	Description
15:1	RO	0x0000	reserved
0	RW	0x0	ppll_fout_mask FOUT_MASK: Scaler's re-initialization time control pin.

**PHPTOPCRU PPLL CON6**

Address: Operational Base + offset (0x0218)

Bit	Attr	Reset Value	Description
31:16	WO	0x0000	write_enable Write enable for lower 16 bits, each bit is individual. 1'b0: Write access disable 1'b1: Write access enable
15	RW	0x0	ppll_lock LOCK: PLL lock flag. 1'b0: PLL is unlocked. 1'b1: PLL is locked.
14:10	RW	0x00	ppll_afc_code AFC_CODE: Monitoring pin. Output code of AFC(5 bits).
9:0	RO	0x000	reserved

**PHPTOPCRU GATE CON00**

Address: Operational Base + offset (0x0800)

Bit	Attr	Reset Value	Description
31:16	WO	0x0000	write_enable Write enable for lower 16 bits, each bit is individual. 1'b0: Write access disable 1'b1: Write access enable
15:10	RO	0x00	reserved
9	RW	0x0	pclk_apb2asb_slv_chip_top_en pclk_apb2asb_slv_chip_top clock gating control. When high, disable clock
8	RW	0x0	pclk_pcie3_phy_en pclk_pcie3_phy clock gating control. When high, disable clock
7	RW	0x0	pclk_pcie_combo_pipe_phy2_en pclk_pcie_combo_pipe_phy2 clock gating control. When high, disable clock
6	RW	0x0	pclk_pcie_combo_pipe_phy1_en pclk_pcie_combo_pipe_phy1 clock gating control. When high, disable clock
5	RW	0x0	pclk_pcie_combo_pipe_phy0_en pclk_pcie_combo_pipe_phy0 clock gating control. When high, disable clock
4	RW	0x0	pclk_pcie_combo_pipe_grf2_en pclk_pcie_combo_pipe_grf2 clock gating control. When high, disable clock
3	RW	0x0	pclk_pcie_combo_pipe_grf1_en pclk_pcie_combo_pipe_grf1 clock gating control. When high, disable clock
2	RW	0x0	pclk_pcie_combo_pipe_grf0_en pclk_pcie_combo_pipe_grf0 clock gating control. When high, disable clock
1	RW	0x0	pclk_phptop_cru_en pclk_phptop_cru clock gating control. When high, disable clock

Bit	Attr	Reset Value	Description
0	RO	0x0	reserved

### PHPTOPCRU SOFTRST CON00

Address: Operational Base + offset (0x0A00)

Bit	Attr	Reset Value	Description
31:16	WO	0x0000	write_enable Write enable for lower 16 bits, each bit is individual. 1'b0: Write access disable 1'b1: Write access enable
15:11	RO	0x00	reserved
10	RW	0x0	resetsn_pcie3_phy When high, reset relative logic
9	RW	0x0	presetsn_apb2asb_slv_chip_top When high, reset relative logic
8	RW	0x0	presetsn_pcie3_phy When high, reset relative logic
7	RW	0x0	presetsn_pcie_combo_pipe_phy2 When high, reset relative logic
6	RW	0x0	presetsn_pcie_combo_pipe_phy1 When high, reset relative logic
5	RW	0x0	presetsn_pcie_combo_pipe_phy0 When high, reset relative logic
4	RW	0x0	presetsn_pcie_combo_pipe_grf2 When high, reset relative logic
3	RW	0x0	presetsn_pcie_combo_pipe_grf1 When high, reset relative logic
2	RW	0x0	presetsn_pcie_combo_pipe_grf0 When high, reset relative logic
1	RW	0x0	presetsn_phptop_cru When high, reset relative logic
0	RO	0x0	reserved

## 2.13 SBUSCRU Register Description

### 2.13.1 Registers Summary

Name	Offset	Size	Reset Value	Description
SBUSCRU_SPLL_CON0	0x0220	W	0x00000000	SPLL configuration register 0
SBUSCRU_SPLL_CON1	0x0224	W	0x00000000	SPLL configuration register 1
SBUSCRU_SPLL_CON4	0x0230	W	0x00000002	SPLL configuration register 4
SBUSCRU_SPLL_CON5	0x0234	W	0x000007E0	SPLL configuration register 5
SBUSCRU_SPLL_CON6	0x0238	W	0x00000000	SPLL configuration register 6
SBUSCRU_MODE_CON00	0x0280	W	0x00000000	Internal PLL mode select register 0
SBUSCRU_CLKSEL_CON00	0x0300	W	0x000000C6	Internal clock select and division register 0
SBUSCRU_GATE_CON00	0x0800	W	0x00000000	Internal clock gate and division register 0
SBUSCRU_SOFTRST_CON00	0x0A00	W	0x00000000	Internal clock reset register 0

Notes: **Size:** **B**- Byte (8 bits) access, **HW**- Half WORD (16 bits) access, **W**-WORD (32 bits) access, **DW**- Double WORD (64 bits) access

## 2.13.2 Detail Registers Description

### **SBUSCRU SPLL CON0**

Address: Operational Base + offset (0x0220)

Bit	Attr	Reset Value	Description
31:16	WO	0x0000	write_enable Write enable for lower 16 bits, each bit is individual. 1'b0: Write access disable 1'b1: Write access enable
15	RW	0x0	spll_bp BYPASS: Bypass mode control signal. 1'b1: bypass mode is enabled. (FOUT = FIN). 1'b0: PLL operates normally.
14:10	RO	0x00	reserved
9:0	RW	0x000	spll_m M: Division value of the 10-bit programmable main-divider. PLL has to be reset if M value is changed. 64 <= pll_m <= 1023

### **SBUSCRU SPLL CON1**

Address: Operational Base + offset (0x0224)

Bit	Attr	Reset Value	Description
31:16	WO	0x0000	write_enable Write enable for lower 16 bits, each bit is individual. 1'b0: Write access disable 1'b1: Write access enable
15:14	RO	0x0	reserved
13	RW	0x0	spll_resetb RESETB: Power down control signal. 1'b0: RESETB=0 from 1, PLL starts its normal operation after lock time. 1'b1: RESETB=1, power down mode is enabled and all digital blocks are reset.
12:9	RO	0x0	reserved
8:6	RW	0x0	spll_s Division value of the 3-bit programmable scaler. 0 <= pll_s <= 6
5:0	RW	0x00	spll_p P: Division value of the 6-bit programmable pre-divider. PLL has to be reset if P value is changed. 1 <= pll_p <= 63

### **SBUSCRU SPLL CON4**

Address: Operational Base + offset (0x0230)

Bit	Attr	Reset Value	Description
31:16	WO	0x0000	write_enable Write enable for lower 16 bits, each bit is individual. 1'b0: Write access disable 1'b1: Write access enable
15	RW	0x0	spll_fsel FSEL: Monitoring pin. 1'b0: FEED_OUT = FREF. 1'b1: FEED_OUT = FEED.

Bit	Attr	Reset Value	Description
14	RW	0x0	spll_feed_en FEED_EN: Monitoring pin. 1'b0: FEED_OUT is disabled. 1'b1: FEED_OUT is enabled.
13:9	RO	0x00	reserved
8:4	RW	0x00	spll_extafc EXTAFC: Monitoring pin. If pll_afc_enb=1, AFC is disabled and VCO is calibrated manually by pll_extafc[4:0] for the test of VCO range.
3	RW	0x0	spll_afc_enb AFC_ENB: Monitoring pin. 1'b0: AFC is enabled and VCO is calibrated automatically. 1'b1: AFC is disabled and VCO is calibrated manually by pll_extafc[4:0] for the test of VCO range.
2:1	RW	0x1	spll_icp Charge-pump current control signal.
0	RO	0x0	reserved

**SBUSCRU SPLL CON5**

Address: Operational Base + offset (0x0234)

Bit	Attr	Reset Value	Description
31:16	WO	0x0000	write_enable Write enable for lower 16 bits, each bit is individual. 1'b0: Write access disable 1'b1: Write access enable
15:11	RO	0x00	reserved
10:9	RW	0x3	spll_lock_con_dly LOCK_CON_DLY: Lock detector setting of the detection resolution.
8:7	RW	0x3	spll_lock_con_out LOCK_CON_OUT: Lock detector setting of the output margin.
6:5	RW	0x3	spll_lock_con_in LOCK_CON_IN: Lock detector setting of the input margin.
4:1	RO	0x0	reserved
0	RW	0x0	spll_fout_mask FOUT_MASK: Scaler's re-initialization time control pin.

**SBUSCRU SPLL CON6**

Address: Operational Base + offset (0x0238)

Bit	Attr	Reset Value	Description
31:16	WO	0x0000	write_enable Write enable for lower 16 bits, each bit is individual. 1'b0: Write access disable 1'b1: Write access enable
15	RW	0x0	spll_lock LOCK: PLL lock flag. 1'b0: PLL is unlocked. 1'b1: PLL is locked.
14:10	RW	0x00	spll_afc_code AFC_CODE: Monitoring pin. Output code of AFC(5 bits).
9:0	RO	0x0000	reserved

**SBUSCRU MODE CON00**

Address: Operational Base + offset (0x0280)

Bit	Attr	Reset Value	Description
31:16	WO	0x0000	write_enable Write enable for lower 16 bits, each bit is individual. 1'b0: Write access disable 1'b1: Write access enable
15:2	RO	0x0000	reserved
1:0	RW	0x0	clk_spll_mode clk_spll_mux clock mux. 2'b00: xin_osc0_func 2'b01: clk_spll 2'b10: clk_deepslow

**SBUSCRU\_CLKSEL\_CON00**

Address: Operational Base + offset (0x0300)

Bit	Attr	Reset Value	Description
31:16	WO	0x0000	write_enable Write enable for lower 16 bits, each bit is individual. 1'b0: Write access disable 1'b1: Write access enable
15:12	RO	0x0	reserved
11	RW	0x0	clk_sbustimer_root_sel clk_sbustimer_root clock mux. 1'b0: xin_osc0_func 1'b1: clk_matrix_sbustimer_100m_src
10	RW	0x0	clk_matrix_sbustimer_100m_src_sel clk_matrix_sbustimer_100m_src clock mux. 1'b0: clk_spll_mux 1'b1: clk_cppll_mux
9:5	RW	0x06	clk_matrix_sbustimer_100m_src_div Divide clk_matrix_sbustimer_100m_src by (div_con + 1).
4:0	RW	0x06	pclk_sbustimer_root_div Divide pclk_sbustimer_root by (div_con + 1).

**SBUSCRU\_GATE\_CON00**

Address: Operational Base + offset (0x0800)

Bit	Attr	Reset Value	Description
31:16	WO	0x0000	write_enable Write enable for lower 16 bits, each bit is individual. 1'b0: Write access disable 1'b1: Write access enable
15	RO	0x0	reserved
14	RW	0x0	clk_stimer11_en clk_stimer11 clock gating control. When high, disable clock
13	RW	0x0	clk_stimer10_en clk_stimer10 clock gating control. When high, disable clock
12	RW	0x0	clk_stimer9_en clk_stimer9 clock gating control. When high, disable clock
11	RW	0x0	clk_stimer8_en clk_stimer8 clock gating control. When high, disable clock
10	RW	0x0	clk_stimer7_en clk_stimer7 clock gating control. When high, disable clock

Bit	Attr	Reset Value	Description
9	RW	0x0	clk_stimer6_en clk_stimer6 clock gating control. When high, disable clock
8	RW	0x0	clk_sbus_timer_en clk_sbus_timer_root clock gating control. When high, disable clock
7	RW	0x0	pclk_stimer1_en pclk_stimer1 clock gating control. When high, disable clock
6	RW	0x0	clk_matrix_sbus_100m_src_en clk_matrix_sbus_100m_src clock gating control. When high, disable clock
5	RW	0x0	clk_jdbck_dap_en clk_jdbck_dap clock gating control. When high, disable clock
4	RW	0x0	pclk_jdbck_dap_en pclk_jdbck_dap clock gating control. When high, disable clock
3	RW	0x0	pclk_sbus_sgrf_en pclk_sbus_sgrf clock gating control. When high, disable clock
2	RW	0x0	pclk_sbus_cru_en pclk_sbus_cru clock gating control. When high, disable clock
1	RW	0x0	pclk_sbus_biu_en pclk_sbus_biu clock gating control. When high, disable clock
0	RW	0x0	pclk_sbus_root_en pclk_sbus_root clock gating control. When high, disable clock

**SBUSCRU SOFTRST CON00**

Address: Operational Base + offset (0x0A00)

Bit	Attr	Reset Value	Description
31:16	WO	0x0000	write_enable Write enable for lower 16 bits, each bit is individual. 1'b0: Write access disable 1'b1: Write access enable
15	RO	0x0	reserved
14	RW	0x0	resetrn_stimer11 When high, reset relative logic
13	RW	0x0	resetrn_stimer10 When high, reset relative logic
12	RW	0x0	resetrn_stimer9 When high, reset relative logic
11	RW	0x0	resetrn_stimer8 When high, reset relative logic
10	RW	0x0	resetrn_stimer7 When high, reset relative logic
9	RW	0x0	resetrn_stimer6 When high, reset relative logic
8	RO	0x0	reserved
7	RW	0x0	presetrn_stimer1 When high, reset relative logic
6	RO	0x0	reserved

Bit	Attr	Reset Value	Description
5	RW	0x0	resetrn_jdbck_dap When high, reset relative logic
4	RW	0x0	presetrn_jdbck_dap When high, reset relative logic
3	RW	0x0	presetrn_sbus_sgrf When high, reset relative logic
2	RW	0x0	presetrn_sbus_cru When high, reset relative logic
1	RW	0x0	presetrn_sbus_biu When high, reset relative logic
0	RO	0x0	reserved

## 2.14 SECURECRU Register Description

### 2.14.1 Registers Summary

Name	Offset	Size	Reset Value	Description
<u>SECURECRU_CLKSEL_CO_N00</u>	0x0300	W	0x0000144B	Internal clock select and division register 0
<u>SECURECRU_CLKSEL_CO_N01</u>	0x0304	W	0x00000000	Internal clock select and division register 1
<u>SECURECRU_CLKSEL_CO_N02</u>	0x0308	W	0x00000000	Internal clock select and division register 2
<u>SECURECRU_CLKSEL_CO_N03</u>	0x030C	W	0x000000C5	Internal clock select and division register 3
<u>SECURECRU_GATE_CONO_0</u>	0x0800	W	0x00000000	Internal clock gate and division register 0
<u>SECURECRU_GATE_CONO_1</u>	0x0804	W	0x00000000	Internal clock gate and division register 1
<u>SECURECRU_GATE_CONO_2</u>	0x0808	W	0x00000000	Internal clock gate and division register 2
<u>SECURECRU_GATE_CONO_3</u>	0x080C	W	0x00000000	Internal clock gate and division register 3
<u>SECURECRU_SOFTRST_C_ON00</u>	0x0A00	W	0x00000000	Internal clock reset register 0
<u>SECURECRU_SOFTRST_C_ON01</u>	0x0A04	W	0x00000000	Internal clock reset register 1
<u>SECURECRU_SOFTRST_C_ON02</u>	0x0A08	W	0x00000000	Internal clock reset register 2
<u>SECURECRU_SOFTRST_C_ON03</u>	0x0A0C	W	0x00000000	Internal clock reset register 3
<u>SECURECRU_AUTOCS_ACLK_SECURE_NS_ROOT_C_ON0</u>	0x0D00	W	0x00200004	Auto clock switch control register 0
<u>SECURECRU_AUTOCS_ACLK_SECURE_NS_ROOT_C_ON1</u>	0x0D04	W	0x00000000	Auto clock switch control register 1
<u>SECURECRU_AUTOCS_HCLK_SECURE_NS_ROOT_C_ON0</u>	0x0D08	W	0x00200004	Auto clock switch control register 0

Name	Offset	Size	Reset Value	Description
<u>SECURECRU_AUTOCS_HCLK_SECURE_NS_ROOT_CON1</u>	0x0D0C	W	0x00000000	Auto clock switch control register 1
<u>SECURECRU_AUTOCS_HCLK_SECURE_S_ROOT_CON0</u>	0x0D10	W	0x00200004	Auto clock switch control register 0
<u>SECURECRU_AUTOCS_HCLK_SECURE_S_ROOT_CON1</u>	0x0D14	W	0x00000000	Auto clock switch control register 1
<u>SECURECRU_AUTOCS_HCLK_SECURE_S_ROOT_CON0</u>	0x0D18	W	0x00200004	Auto clock switch control register 0
<u>SECURECRU_AUTOCS_HCLK_SECURE_S_ROOT_CON1</u>	0x0D1C	W	0x00000000	Auto clock switch control register 1
<u>SECURECRU_AUTOCS_PCCLK_SECURE_S_ROOT_CON0</u>	0x0D20	W	0x00200004	Auto clock switch control register 0
<u>SECURECRU_AUTOCS_PCCLK_SECURE_S_ROOT_CON1</u>	0x0D24	W	0x00000000	Auto clock switch control register 1

Notes: **Size:** **B**- Byte (8 bits) access, **HW**- Half WORD (16 bits) access, **W**-WORD (32 bits) access, **DW**- Double WORD (64 bits) access

## 2.14.2 Detail Registers Description

### **SECURECRU\_CLKSEL\_CON00**

Address: Operational Base + offset (0x0300)

Bit	Attr	Reset Value	Description
31:16	WO	0x0000	write_enable Write enable for lower 16 bits, each bit is individual. 1'b0: Write access disable 1'b1: Write access enable
15	RO	0x0	reserved
14:12	RW	0x1	clk_matrix_sec_350m_src_div Divide clk_matrix_sec_350m_src by (div_con + 1).
11:9	RW	0x2	clk_matrix_sec_233m_src_div Divide clk_matrix_sec_233m_src by (div_con + 1).
8:6	RW	0x1	clk_matrix_sec_175m_src_div Divide clk_matrix_sec_175m_src by (div_con + 1).
5:3	RW	0x1	clk_matrix_sec_116m_src_div Divide clk_matrix_sec_116m_src by (div_con + 1).
2:0	RW	0x3	clk_matrix_sec_58m_src_div Divide clk_matrix_sec_58m_src by (div_con + 1).

### **SECURECRU\_CLKSEL\_CON01**

Address: Operational Base + offset (0x0304)

Bit	Attr	Reset Value	Description
31:16	WO	0x0000	write_enable Write enable for lower 16 bits, each bit is individual. 1'b0: Write access disable 1'b1: Write access enable



Bit	Attr	Reset Value	Description
15:14	RW	0x0	clk_crypto_rng_sel clk_crypto_rng clock mux. 2'b00: clk_matrix_sec_175m_src 2'b01: clk_matrix_sec_116m_src 2'b10: clk_matrix_sec_58m_src 2'b11: xin_osc0_func
13:12	RW	0x0	clk_crypto_pka_sel clk_crypto_pka clock mux. 2'b00: clk_matrix_sec_350m_src 2'b01: clk_matrix_sec_233m_src 2'b10: clk_matrix_sec_116m_src 2'b11: xin_osc0_func
11:10	RW	0x0	clk_crypto_core_sel clk_crypto_core clock mux. 2'b00: clk_matrix_sec_350m_src 2'b01: clk_matrix_sec_233m_src 2'b10: clk_matrix_sec_116m_src 2'b11: xin_osc0_func
9:8	RW	0x0	pclk_secure_s_root_sel pclk_secure_s_root clock mux. 2'b00: clk_matrix_sec_116m_src 2'b01: clk_matrix_sec_58m_src 2'b10: xin_osc0_func
7:6	RW	0x0	hclk_secure_s_root_sel hclk_secure_s_root clock mux. 2'b00: clk_matrix_sec_175m_src 2'b01: clk_matrix_sec_116m_src 2'b10: clk_matrix_sec_58m_src 2'b11: xin_osc0_func
5:4	RW	0x0	aclk_secure_s_root_sel aclk_secure_s_root clock mux. 2'b00: clk_matrix_sec_350m_src 2'b01: clk_matrix_sec_233m_src 2'b10: clk_matrix_sec_116m_src 2'b11: xin_osc0_func
3:2	RW	0x0	hclk_secure_ns_root_sel hclk_secure_ns_root clock mux. 2'b00: clk_matrix_150m_src 2'b01: clk_matrix_100m_src 2'b10: clk_matrix_50m_src 2'b11: xin_osc0_func
1:0	RW	0x0	aclk_secure_ns_root_sel aclk_secure_ns_root clock mux. 2'b00: clk_matrix_350m_src 2'b01: clk_matrix_200m_src 2'b10: clk_matrix_100m_src 2'b11: xin_osc0_func

**SECURECRU\_CLKSEL\_CON02**

Address: Operational Base + offset (0x0308)

Bit	Attr	Reset Value	Description
31:16	WO	0x0000	write_enable Write enable for lower 16 bits, each bit is individual. 1'b0: Write access disable 1'b1: Write access enable

Bit	Attr	Reset Value	Description
15:11	RO	0x00	reserved
10	RW	0x0	clk_stimer_root_sel clk_stimer_root clock mux. 1'b0: xin_osc0_func 1'b1: clk_matrix_sec_116m_src
9:8	RW	0x0	clk_keyladder_rng_sel clk_keyladder_rng clock mux. 2'b00: clk_matrix_sec_175m_src 2'b01: clk_matrix_sec_116m_src 2'b10: clk_matrix_sec_58m_src 2'b11: xin_osc0_func
7:6	RW	0x0	clk_keyladder_core_sel clk_keyladder_core clock mux. 2'b00: clk_matrix_sec_350m_src 2'b01: clk_matrix_sec_233m_src 2'b10: clk_matrix_sec_116m_src 2'b11: xin_osc0_func
5:4	RW	0x0	clk_scrypto_rng_sel clk_scrypto_rng clock mux. 2'b00: clk_matrix_sec_175m_src 2'b01: clk_matrix_sec_116m_src 2'b10: clk_matrix_sec_58m_src 2'b11: xin_osc0_func
3:2	RW	0x0	clk_scrypto_pka_sel clk_scrypto_pka clock mux. 2'b00: clk_matrix_sec_350m_src 2'b01: clk_matrix_sec_233m_src 2'b10: clk_matrix_sec_116m_src 2'b11: xin_osc0_func
1:0	RW	0x0	clk_scrypto_core_sel clk_scrypto_core clock mux. 2'b00: clk_matrix_sec_350m_src 2'b01: clk_matrix_sec_233m_src 2'b10: clk_matrix_sec_116m_src 2'b11: xin_osc0_func

**SECURECRU\_CLKSEL\_CON03**

Address: Operational Base + offset (0x030C)

Bit	Attr	Reset Value	Description
31:16	WO	0x0000	write_enable Write enable for lower 16 bits, each bit is individual. 1'b0: Write access disable 1'b1: Write access enable
15:14	RO	0x0	reserved
13:12	RW	0x0	cclk_src_sdmmc_sel cclk_src_sdmmc clock mux. 2'b00: clk_gpll_mux 2'b01: clk_sppll_mux 2'b10: xin_osc0_func
11:6	RW	0x03	cclk_src_sdmmc_div DT50 division register. Divide cclk_src_sdmmc by (div_con + 1).

Bit	Attr	Reset Value	Description
5	RW	0x0	dclk_sdmmc_buffer_sel dclk_sdmmc_buffer clock mux. 1'b0: clk_gppll_mux 1'b1: clk_sppll_mux
4:0	RW	0x05	dclk_sdmmc_buffer_div Divide dclk_sdmmc_buffer by (div_con + 1).

**SECURECRU\_GATE\_CON00**

Address: Operational Base + offset (0x0800)

Bit	Attr	Reset Value	Description
31:16	WO	0x0000	write_enable Write enable for lower 16 bits, each bit is individual. 1'b0: Write access disable 1'b1: Write access enable
15	RW	0x0	clk_crypto_core_en clk_crypto_core clock gating control. When high, disable clock
14	RW	0x0	pclk_secure_s_biu_en pclk_secure_s_biu clock gating control. When high, disable clock
13	RW	0x0	hclk_secure_s_biu_en hclk_secure_s_biu clock gating control. When high, disable clock
12	RW	0x0	aclk_secure_s_biu_en aclk_secure_s_biu clock gating control. When high, disable clock
11	RW	0x0	hclk_secure_ns_biu_en hclk_secure_ns_biu clock gating control. When high, disable clock
10	RW	0x0	aclk_secure_ns_biu_en aclk_secure_ns_biu clock gating control. When high, disable clock
9	RW	0x0	pclk_secure_s_root_en pclk_secure_s_root clock gating control. When high, disable clock
8	RW	0x0	hclk_secure_s_root_en hclk_secure_s_root clock gating control. When high, disable clock
7	RW	0x0	aclk_secure_s_root_en aclk_secure_s_root clock gating control. When high, disable clock
6	RW	0x0	hclk_secure_ns_root_en hclk_secure_ns_root clock gating control. When high, disable clock
5	RW	0x0	aclk_secure_ns_root_en aclk_secure_ns_root clock gating control. When high, disable clock
4	RW	0x0	clk_matrix_sec_333m_src_en clk_matrix_sec_350m_src clock gating control. When high, disable clock
3	RW	0x0	clk_matrix_sec_200m_src_en clk_matrix_sec_233m_src clock gating control. When high, disable clock

Bit	Attr	Reset Value	Description
2	RW	0x0	clk_matrix_sec_175m_src_en clk_matrix_sec_175m_src clock gating control. When high, disable clock
1	RW	0x0	clk_matrix_sec_100m_src_en clk_matrix_sec_116m_src clock gating control. When high, disable clock
0	RW	0x0	clk_matrix_sec_50m_src_en clk_matrix_sec_58m_src clock gating control. When high, disable clock

**SECURECRU\_GATE\_CON01**

Address: Operational Base + offset (0x0804)

Bit	Attr	Reset Value	Description
31:16	WO	0x0000	write_enable Write enable for lower 16 bits, each bit is individual. 1'b0: Write access disable 1'b1: Write access enable
15	RW	0x0	pclk_wdt_s_en pclk_wdt_s clock gating control. When high, disable clock
14	RW	0x0	clk_otpc_s_en clk_otpc_s clock gating control. When high, disable clock
13	RW	0x0	pclk_otpc_s_en pclk_otpc_s clock gating control. When high, disable clock
12	RW	0x0	hclk_keyladder_en hclk_keyladder clock gating control. When high, disable clock
11	RW	0x0	aclk_keyladder_en aclk_keyladder clock gating control. When high, disable clock
10	RW	0x0	clk_keyladder_rng_en clk_keyladder_rng clock gating control. When high, disable clock
9	RW	0x0	clk_keyladder_core_en clk_keyladder_core clock gating control. When high, disable clock
8	RW	0x0	hclk_scrypto_en hclk_scrypto clock gating control. When high, disable clock
7	RW	0x0	aclk_scrypto_en aclk_scrypto clock gating control. When high, disable clock
6	RW	0x0	clk_scrypto_rng_en clk_scrypto_rng clock gating control. When high, disable clock
5	RW	0x0	clk_scrypto_pka_en clk_scrypto_pka clock gating control. When high, disable clock
4	RW	0x0	clk_scrypto_core_en clk_scrypto_core clock gating control. When high, disable clock

Bit	Attr	Reset Value	Description
3	RW	0x0	hclk_crypto_en hclk_crypto clock gating control. When high, disable clock
2	RW	0x0	aclk_crypto_en aclk_crypto clock gating control. When high, disable clock
1	RW	0x0	clk_crypto_rng_en clk_crypto_rng clock gating control. When high, disable clock
0	RW	0x0	clk_crypto_pka_en clk_crypto_pka clock gating control. When high, disable clock

**SECURECRU\_GATE\_CON02**

Address: Operational Base + offset (0x0808)

Bit	Attr	Reset Value	Description
31:16	WO	0x0000	write_enable Write enable for lower 16 bits, each bit is individual. 1'b0: Write access disable 1'b1: Write access enable
15	RW	0x0	hclk_trng_s_en hclk_trng_s clock gating control. When high, disable clock
14	RW	0x0	pclk_keylad_en pclk_keylad clock gating control. When high, disable clock
13	RW	0x0	pclk_scrypto_en pclk_scrypto clock gating control. When high, disable clock
12	RW	0x0	clk_stimer5_en clk_stimer5 clock gating control. When high, disable clock
11	RW	0x0	clk_stimer4_en clk_stimer4 clock gating control. When high, disable clock
10	RW	0x0	clk_stimer3_en clk_stimer3 clock gating control. When high, disable clock
9	RW	0x0	clk_stimer2_en clk_stimer2 clock gating control. When high, disable clock
8	RW	0x0	clk_stimer1_en clk_stimer1 clock gating control. When high, disable clock
7	RW	0x0	clk_stimer0_en clk_stimer0 clock gating control. When high, disable clock
6	RW	0x0	clk_stimer_root_en clk_stimer_root clock gating control. When high, disable clock
5	RW	0x0	hclk_bootrom_ns_en hclk_bootrom_ns clock gating control. When high, disable clock

Bit	Attr	Reset Value	Description
4	RW	0x0	pclk_stimer0_en pclk_stimer0 clock gating control. When high, disable clock
3	RW	0x0	pclk_dcf_en pclk_dcf clock gating control. When high, disable clock
2	RW	0x0	aclk_dcf_en aclk_dcf clock gating control. When high, disable clock
1	RW	0x0	hclk_bootrom_en hclk_bootrom clock gating control. When high, disable clock
0	RW	0x0	tclk_wdt_s_en tclk_wdt_s clock gating control. When high, disable clock

**SECURECRU\_GATE\_CON03**

Address: Operational Base + offset (0x080C)

Bit	Attr	Reset Value	Description
31:16	WO	0x0000	write_enable Write enable for lower 16 bits, each bit is individual. 1'b0: Write access disable 1'b1: Write access enable
15:8	RO	0x00	reserved
7	RW	0x0	pclk_secure_cru_en pclk_secure_cru clock gating control. When high, disable clock
6	RW	0x0	clk_trng_s_en clk_trng_s clock gating control. When high, disable clock
5	RW	0x0	pclk_trng_chk_en pclk_trng_chk clock gating control. When high, disable clock
4	RW	0x0	cclk_src_sdmmc_en cclk_src_sdmmc clock gating control. When high, disable clock
3	RW	0x0	hclk_sdmmc_buffer_en hclk_sdmmc_buffer clock gating control. When high, disable clock
2	RW	0x0	hclk_sdmmc_en hclk_sdmmc clock gating control. When high, disable clock
1	RW	0x0	dclk_sdmmc_buffer_en dclk_sdmmc_buffer clock gating control. When high, disable clock
0	RW	0x0	hclk_trng_ns_en hclk_trng_ns clock gating control. When high, disable clock

**SECURECRU\_SOFTTRST\_CON00**

Address: Operational Base + offset (0x0A00)

Bit	Attr	Reset Value	Description
31:16	WO	0x0000	write_enable Write enable for lower 16 bits, each bit is individual. 1'b0: Write access disable 1'b1: Write access enable
15	RW	0x0	resetrn_crypto_core When high, reset relative logic
14	RW	0x0	presetrn_secure_s_biu When high, reset relative logic
13	RW	0x0	hresetrn_secure_s_biu When high, reset relative logic
12	RW	0x0	aresetrn_secure_s_biu When high, reset relative logic
11	RW	0x0	hresetrn_secure_ns_biu When high, reset relative logic
10	RW	0x0	aresetrn_secure_ns_biu When high, reset relative logic
9:0	RO	0x0000	reserved

**SECURECRU SOFTRST CON01**

Address: Operational Base + offset (0x0A04)

Bit	Attr	Reset Value	Description
31:16	WO	0x0000	write_enable Write enable for lower 16 bits, each bit is individual. 1'b0: Write access disable 1'b1: Write access enable
15	RW	0x0	presetrn_wdt_s When high, reset relative logic
14	RW	0x0	resetrn_otpc_s When high, reset relative logic
13	RW	0x0	presetrn_otpc_s When high, reset relative logic
12	RW	0x0	hresetrn_keyladder When high, reset relative logic
11	RW	0x0	aresetrn_keyladder When high, reset relative logic
10	RW	0x0	resetrn_keyladder_rng When high, reset relative logic
9	RW	0x0	resetrn_keyladder_core When high, reset relative logic
8	RW	0x0	hresetrn_scrypto When high, reset relative logic
7	RW	0x0	aresetrn_scrypto When high, reset relative logic
6	RW	0x0	resetrn_scrypto_rng When high, reset relative logic
5	RW	0x0	resetrn_scrypto_pka When high, reset relative logic
4	RW	0x0	resetrn_scrypto_core When high, reset relative logic
3	RW	0x0	hresetrn_crypto When high, reset relative logic
2	RW	0x0	aresetrn_crypto When high, reset relative logic

Bit	Attr	Reset Value	Description
1	RW	0x0	resetrn_crypto_rng When high, reset relative logic
0	RW	0x0	resetrn_crypto_pka When high, reset relative logic

**SECURECRU SOFTRST CON02**

Address: Operational Base + offset (0x0A08)

Bit	Attr	Reset Value	Description
31:16	WO	0x0000	write_enable Write enable for lower 16 bits, each bit is individual. 1'b0: Write access disable 1'b1: Write access enable
15	RW	0x0	hresetrn_trng_s When high, reset relative logic
14	RW	0x0	presetrn_keylad When high, reset relative logic
13	RW	0x0	presetrn_scrypto When high, reset relative logic
12	RW	0x0	resetrn_stimer5 When high, reset relative logic
11	RW	0x0	resetrn_stimer4 When high, reset relative logic
10	RW	0x0	resetrn_stimer3 When high, reset relative logic
9	RW	0x0	resetrn_stimer2 When high, reset relative logic
8	RW	0x0	resetrn_stimer1 When high, reset relative logic
7	RW	0x0	resetrn_stimer0 When high, reset relative logic
6	RO	0x0	reserved
5	RW	0x0	hresetrn_bootrom_ns When high, reset relative logic
4	RW	0x0	presetrn_stimer0 When high, reset relative logic
3	RW	0x0	presetrn_dcf When high, reset relative logic
2	RW	0x0	aresetrn_dcf When high, reset relative logic
1	RW	0x0	hresetrn_bootrom When high, reset relative logic
0	RW	0x0	tresetrn_wdt_s When high, reset relative logic

**SECURECRU SOFTRST CON03**

Address: Operational Base + offset (0x0A0C)

Bit	Attr	Reset Value	Description
31:16	WO	0x0000	write_enable Write enable for lower 16 bits, each bit is individual. 1'b0: Write access disable 1'b1: Write access enable
15:8	RO	0x00	reserved
7	RW	0x0	presetrn_secure_cru When high, reset relative logic



Bit	Attr	Reset Value	Description
6	RW	0x0	resetrn_trng_s When high, reset relative logic
5	RW	0x0	presetrn_trng_chk When high, reset relative logic
4	RW	0x0	resetrn_sdmmc When high, reset relative logic
3	RW	0x0	hresetrn_sdmmc_buffer When high, reset relative logic
2	RW	0x0	hresetrn_sdmmc When high, reset relative logic
1	RW	0x0	dresetrn_sdmmc_buffer When high, reset relative logic
0	RW	0x0	hresetrn_trng_ns When high, reset relative logic

**SECURECRU AUTOCS ACLK SECURE NS ROOT CON0**

Address: Operational Base + offset (0x0D00)

Bit	Attr	Reset Value	Description
31:16	RW	0x0020	aclk_secure_ns_root_wait_th wait_th Wait time threshold, measured by original clk.
15:0	RW	0x0004	aclk_secure_ns_root_idle_th idle_th Idle time threshold, measured by original clk.

**SECURECRU AUTOCS ACLK SECURE NS ROOT CON1**

Address: Operational Base + offset (0x0D04)

Bit	Attr	Reset Value	Description
31:16	WO	0x0000	write_enable Write enable for lower 16 bits, each bit is individual. 1'b0: Write access disable 1'b1: Write access enable
15:14	RW	0x0	aclk_secure_ns_root_clkssel_cfg clkssel_cfg Auto switch clock selection. 2'b00: Original clk 2'b01: xin_osc0_func_div 2'b10: clk_rtc_32k
13	RW	0x0	aclk_secure_ns_root_switch_en switch_en 1'b1: Enable aclk_secure_ns_root switched to lower frequency when module is inactive. 1'b0: Disable auto switch function.
12	RW	0x0	aclk_secure_ns_root_autocs_en autocs_en 1'b1: Enable aclk_secure_ns_root switch to lower frequency. 1'b0: Disable.
11:0	RW	0x000	aclk_secure_ns_root_autocs_ctrl autocs_ctrl 12'hfff: Enable aclk_secure_ns_root switch to lower frequency. 12'h000: Disable. Others: Reserved.

**SECURECRU AUTOCS HCLK SECURE NS ROOT CON0**

Address: Operational Base + offset (0x0D08)

Bit	Attr	Reset Value	Description
31:16	RW	0x0020	hclk_secure_ns_root_wait_th wait_th Wait time threshold, measured by original clk.
15:0	RW	0x0004	hclk_secure_ns_root_idle_th idle_th Idle time threshold, measured by original clk.

**SECURECRU AUTOCS HCLK SECURE NS ROOT CON1**

Address: Operational Base + offset (0x0D0C)

Bit	Attr	Reset Value	Description
31:16	WO	0x0000	write_enable Write enable for lower 16 bits, each bit is individual. 1'b0: Write access disable 1'b1: Write access enable
15:14	RW	0x0	hclk_secure_ns_root_clksel_cfg clkssel_cfg Auto switch clock selection. 2'b00: Original clk 2'b01: xin_osc0_func_div 2'b10: clk_rtc_32k
13	RW	0x0	hclk_secure_ns_root_switch_en switch_en 1'b1: Enable hclk_secure_ns_root switched to lower frequency when module is inactive. 1'b0: Disable auto switch function.
12	RW	0x0	hclk_secure_ns_root_autocs_en autocs_en 1'b1: Enable hclk_secure_ns_root switch to lower frequency. 1'b0: Disable.
11:0	RW	0x000	hclk_secure_ns_root_autocs_ctrl autocs_ctrl 12'hfff: Enable hclk_secure_ns_root switch to lower frequency. 12'h000: Disable. Others: Reserved.

**SECURECRU AUTOCS ACLK SECURE S ROOT CON0**

Address: Operational Base + offset (0x0D10)

Bit	Attr	Reset Value	Description
31:16	RW	0x0020	aclk_secure_s_root_wait_th wait_th Wait time threshold, measured by original clk.
15:0	RW	0x0004	aclk_secure_s_root_idle_th idle_th Idle time threshold, measured by original clk.

**SECURECRU AUTOCS ACLK SECURE S ROOT CON1**

Address: Operational Base + offset (0x0D14)

Bit	Attr	Reset Value	Description
31:16	WO	0x0000	write_enable Write enable for lower 16 bits, each bit is individual. 1'b0: Write access disable 1'b1: Write access enable

Bit	Attr	Reset Value	Description
15:14	RW	0x0	aclk_secure_s_root_clkssel_cfg clkssel_cfg Auto switch clock selection. 2'b00: Original clk 2'b01: xin_osc0_func_div 2'b10: clk_rtc_32k
13	RW	0x0	aclk_secure_s_root_switch_en switch_en 1'b1: Enable aclk_secure_s_root switched to lower frequency when module is inactive. 1'b0: Disable auto switch function.
12	RW	0x0	aclk_secure_s_root_autocs_en autocs_en 1'b1: Enable aclk_secure_s_root switch to lower frequency. 1'b0: Disable.
11:0	RW	0x000	aclk_secure_s_root_autocs_ctrl autocs_ctrl 12'hfff: Enable aclk_secure_s_root switch to lower frequency. 12'h000: Disable. Others: Reserved.

**SECURECRU AUTOCS HCLK SECURE S ROOT CON0**

Address: Operational Base + offset (0x0D18)

Bit	Attr	Reset Value	Description
31:16	RW	0x0020	hclk_secure_s_root_wait_th wait_th Wait time threshold, measured by original clk.
15:0	RW	0x0004	hclk_secure_s_root_idle_th idle_th Idle time threshold, measured by original clk.

**SECURECRU AUTOCS HCLK SECURE S ROOT CON1**

Address: Operational Base + offset (0x0D1C)

Bit	Attr	Reset Value	Description
31:16	WO	0x0000	write_enable Write enable for lower 16 bits, each bit is individual. 1'b0: Write access disable 1'b1: Write access enable
15:14	RW	0x0	hclk_secure_s_root_clkssel_cfg clkssel_cfg Auto switch clock selection. 2'b00: Original clk 2'b01: xin_osc0_func_div 2'b10: clk_rtc_32k
13	RW	0x0	hclk_secure_s_root_switch_en switch_en 1'b1: Enable hclk_secure_s_root switched to lower frequency when module is inactive. 1'b0: Disable auto switch function.
12	RW	0x0	hclk_secure_s_root_autocs_en autocs_en 1'b1: Enable hclk_secure_s_root switch to lower frequency. 1'b0: Disable.

Bit	Attr	Reset Value	Description
11:0	RW	0x000	hclk_secure_s_root_autocs_ctrl autocs_ctrl 12'hfff: Enable hclk_secure_s_root switch to lower frequency. 12'h000: Disable. Others: Reserved.

**SECURECRU AUTOCS PCLK SECURE S ROOT CON0**

Address: Operational Base + offset (0x0D20)

Bit	Attr	Reset Value	Description
31:16	RW	0x0020	pclk_secure_s_root_wait_th wait_th Wait time threshold, measured by original clk.
15:0	RW	0x0004	pclk_secure_s_root_idle_th idle_th Idle time threshold, measured by original clk.

**SECURECRU AUTOCS PCLK SECURE S ROOT CON1**

Address: Operational Base + offset (0x0D24)

Bit	Attr	Reset Value	Description
31:16	WO	0x0000	write_enable Write enable for lower 16 bits, each bit is individual. 1'b0: Write access disable 1'b1: Write access enable
15:14	RW	0x0	pclk_secure_s_root_clkssel_cfg clkssel_cfg Auto switch clock selection. 2'b00: Original clk 2'b01: xin_osc0_func_div 2'b10: clk_rtc_32k
13	RW	0x0	pclk_secure_s_root_switch_en switch_en 1'b1: Enable pclk_secure_s_root switched to lower frequency when module is inactive. 1'b0: Disable auto switch function.
12	RW	0x0	pclk_secure_s_root_autocs_en autocs_en 1'b1: Enable pclk_secure_s_root switch to lower frequency. 1'b0: Disable.
11:0	RW	0x000	pclk_secure_s_root_autocs_ctrl autocs_ctrl 12'hfff: Enable pclk_secure_s_root switch to lower frequency. 12'h000: Disable. Others: Reserved.

## 2.15 PMU1CRU Register Description

### 2.15.1 Registers Summary

Name	Offset	Size	Reset Value	Description
<u>PMU1CRU_CLKSEL_CON0</u> 0	0x0300	W	0x000000B7	Internal clock select and division register 0
<u>PMU1CRU_CLKSEL_CON0</u> 1	0x0304	W	0x00000200	Internal clock select and division register 1

<b>Name</b>	<b>Offset</b>	<b>Size</b>	<b>Reset Value</b>	<b>Description</b>
<u>PMU1CRU_CLKSEL_CON0_2</u>	0x0308	W	0x00000420	Internal clock select and division register 2
<u>PMU1CRU_CLKSEL_CON0_3</u>	0x030C	W	0x00000080	Internal clock select and division register 3
<u>PMU1CRU_CLKSEL_CON0_4</u>	0x0310	W	0x001403DE	Internal clock select and division register 4
<u>PMU1CRU_CLKSEL_CON0_5</u>	0x0314	W	0x00000006	Internal clock select and division register 5
<u>PMU1CRU_CLKSEL_CON0_6</u>	0x0318	W	0x03355460	Internal clock select and division register 6
<u>PMU1CRU_CLKSEL_CON0_7</u>	0x031C	W	0x00000007	Internal clock select and division register 7
<u>PMU1CRU_CLKSEL_CON0_8</u>	0x0320	W	0x03355460	Internal clock select and division register 8
<u>PMU1CRU_CLKSEL_CON0_9</u>	0x0324	W	0x0000000B	Internal clock select and division register 9
<u>PMU1CRU_CLKSEL_CON1_2</u>	0x0330	W	0x00000000	Internal clock select and division register 12
<u>PMU1CRU_CLKSEL_CON1_4</u>	0x0338	W	0x00000000	Internal clock select and division register 14
<u>PMU1CRU_CLKSEL_CON1_5</u>	0x033C	W	0x00000000	Internal clock select and division register 15
<u>PMU1CRU_CLKSEL_CON1_7</u>	0x0344	W	0x00000000	Internal clock select and division register 17
<u>PMU1CRU_GATE_CON00</u>	0x0800	W	0x00000000	Internal clock gate and division register 0
<u>PMU1CRU_GATE_CON01</u>	0x0804	W	0x00000000	Internal clock gate and division register 1
<u>PMU1CRU_GATE_CON02</u>	0x0808	W	0x00000000	Internal clock gate and division register 2
<u>PMU1CRU_GATE_CON03</u>	0x080C	W	0x00000000	Internal clock gate and division register 3
<u>PMU1CRU_GATE_CON04</u>	0x0810	W	0x00000000	Internal clock gate and division register 4
<u>PMU1CRU_GATE_CON05</u>	0x0814	W	0x00000000	Internal clock gate and division register 5
<u>PMU1CRU_SOFTRST_CON00</u>	0x0A00	W	0x00002000	Internal clock reset register 0
<u>PMU1CRU_SOFTRST_CON01</u>	0x0A04	W	0x00000000	Internal clock reset register 1
<u>PMU1CRU_SOFTRST_CON02</u>	0x0A08	W	0x00000000	Internal clock reset register 2
<u>PMU1CRU_SOFTRST_CON03</u>	0x0A0C	W	0x00000000	Internal clock reset register 3
<u>PMU1CRU_SOFTRST_CON04</u>	0x0A10	W	0x00000000	Internal clock reset register 4
<u>PMU1CRU_SOFTRST_CON05</u>	0x0A14	W	0x00000000	Internal clock reset register 5
<u>PMU1CRU_AUTOCS_HCLK_PMU_CM0_ROOT_I_CON0</u>	0x0D00	W	0x00200004	Auto clock switch control register 0

Name	Offset	Size	Reset Value	Description
PMU1CRU_AUTOCS_HCLK_PMU_CM0_ROOT_I_CON_1	0x0D04	W	0x00000000	Auto clock switch control register 1

Notes: **Size: B**- Byte (8 bits) access, **HW**- Half WORD (16 bits) access, **W**-WORD (32 bits) access, **DW**- Double WORD (64 bits) access

## 2.15.2 Detail Registers Description

### PMU1CRU\_CLKSEL\_CON00

Address: Operational Base + offset (0x0300)

Bit	Attr	Reset Value	Description
31:16	WO	0x0000	write_enable Write enable for lower 16 bits, each bit is individual. 1'b0: Write access disable 1'b1: Write access enable
15	RW	0x0	clk_matrix_pmu1_300m_src_sel clk_matrix_pmu1_300m_src clock mux. 1'b0: clk_matrix_300m_src 1'b1: xin_osc0_func
14:10	RW	0x00	clk_matrix_pmu1_300m_src_div Divide clk_matrix_pmu1_300m_src by (div_con + 1).
9:7	RW	0x1	clk_matrix_pmu1_200m_src_div Divide clk_matrix_pmu1_200m_src by (div_con + 1).
6:4	RW	0x3	clk_matrix_pmu1_100m_src_div Divide clk_matrix_pmu1_100m_src by (div_con + 1).
3:0	RW	0x7	clk_matrix_pmu1_50m_src_div Divide clk_matrix_pmu1_50m_src by (div_con + 1).

### PMU1CRU\_CLKSEL\_CON01

Address: Operational Base + offset (0x0304)

Bit	Attr	Reset Value	Description
31:16	WO	0x0000	write_enable Write enable for lower 16 bits, each bit is individual. 1'b0: Write access disable 1'b1: Write access enable
15:12	RO	0x0	reserved
11:10	RW	0x0	hclk_pmu_cm0_root_i_sel hclk_pmu_cm0_root_i clock mux. 2'b00: clk_matrix_pmu1_400m_src 2'b01: clk_matrix_pmu1_200m_src 2'b10: clk_matrix_pmu1_100m_src 2'b11: xin_osc0_func
9:8	RW	0x2	pclk_pmu1_root_i_sel pclk_pmu1_root_i clock mux. 2'b00: clk_matrix_pmu1_100m_src 2'b01: clk_matrix_pmu1_50m_src 2'b10: xin_osc0_func
7:6	RW	0x0	hclk_pmu1_root_i_sel hclk_pmu1_root_i clock mux. 2'b00: clk_matrix_pmu1_200m_src 2'b01: clk_matrix_pmu1_100m_src 2'b10: clk_matrix_pmu1_50m_src 2'b11: xin_osc0_func

Bit	Attr	Reset Value	Description
5	RW	0x0	clk_matrix_pmu1_400m_src_sel clk_matrix_pmu1_400m_src clock mux. 1'b0: clk_matrix_400m_src 1'b1: xin_osc0_func
4:0	RW	0x00	clk_matrix_pmu1_400m_src_div Divide clk_matrix_pmu1_400m_src by (div_con + 1).

**PMU1CRU CLKSEL CON02**

Address: Operational Base + offset (0x0308)

Bit	Attr	Reset Value	Description
31:16	WO	0x0000	write_enable Write enable for lower 16 bits, each bit is individual. 1'b0: Write access disable 1'b1: Write access enable
15:11	RO	0x00	reserved
10:9	RW	0x2	clk_pmu1pwm_sel clk_pmu1pwm clock mux. 2'b00: clk_matrix_pmu1_100m_src 2'b01: clk_matrix_pmu1_50m_src 2'b10: xin_osc0_func
8:7	RW	0x0	clk_pmu1timer_root_sel clk_pmu1timer_root clock mux. 2'b00: xin_osc0_func 2'b01: clk_deepslow 2'b10: clk_matrix_pmu1_100m_src
6	RW	0x0	tclk_pmu1wdt_sel tclk_pmu1wdt clock mux. 1'b0: xin_osc0_func 1'b1: clk_deepslow
5	RW	0x1	clk_pmu_cm0_rtc_sel clk_pmu_cm0_rtc clock mux. 1'b0: xin_osc0_func 1'b1: clk_deepslow
4:0	RW	0x00	clk_pmu_cm0_rtc_div Divide clk_pmu_cm0_rtc by (div_con + 1).

**PMU1CRU CLKSEL CON03**

Address: Operational Base + offset (0x030C)

Bit	Attr	Reset Value	Description
31:16	WO	0x0000	write_enable Write enable for lower 16 bits, each bit is individual. 1'b0: Write access disable 1'b1: Write access enable
15:12	RO	0x0	reserved
11:7	RW	0x01	clk_uart0_src_div Divide clk_uart0_src by (div_con + 1).
6	RW	0x0	clk_i2c0_sel clk_i2c0 clock mux. 1'b0: clk_matrix_pmu1_200m_src 1'b1: clk_matrix_pmu1_100m_src
5:0	RO	0x00	reserved

**PMU1CRU CLKSEL CON04**

Address: Operational Base + offset (0x0310)

Bit	Attr	Reset Value	Description
31:0	RW	0x001403de	clk_uart0_frac_div clk_uart0_frac fraction division register. High 16-bit for numerator Low 16-bit for denominator

**PMU1CRU CLKSEL CON05**

Address: Operational Base + offset (0x0314)

Bit	Attr	Reset Value	Description
31:16	WO	0x0000	write_enable Write enable for lower 16 bits, each bit is individual. 1'b0: Write access disable 1'b1: Write access enable
15:7	RO	0x000	reserved
6:2	RW	0x01	clk_i2s1_8ch_tx_src_div Divide clk_i2s1_8ch_tx_src by (div_con + 1).
1:0	RW	0x2	sclk_uart0_sel sclk_uart0 clock mux. 2'b00: clk_uart0_src 2'b01: clk_uart0_frac 2'b10: xin_osc0_func

**PMU1CRU CLKSEL CON06**

Address: Operational Base + offset (0x0318)

Bit	Attr	Reset Value	Description
31:0	RW	0x03355460	clk_i2s1_8ch_tx_frac_div clk_i2s1_8ch_tx_frac fraction division register. High 16-bit for numerator Low 16-bit for denominator

**PMU1CRU CLKSEL CON07**

Address: Operational Base + offset (0x031C)

Bit	Attr	Reset Value	Description
31:16	WO	0x0000	write_enable Write enable for lower 16 bits, each bit is individual. 1'b0: Write access disable 1'b1: Write access enable
15:7	RO	0x000	reserved
6:2	RW	0x01	clk_i2s1_8ch_rx_src_div Divide clk_i2s1_8ch_rx_src by (div_con + 1).
1:0	RW	0x3	mclk_i2s1_8ch_tx_sel mclk_i2s1_8ch_tx clock mux. 2'b00: clk_i2s1_8ch_tx_src 2'b01: clk_i2s1_8ch_tx_frac 2'b10: i2s1_mclkin 2'b11: xin_osc0_half

**PMU1CRU CLKSEL CON08**

Address: Operational Base + offset (0x0320)

Bit	Attr	Reset Value	Description
31:0	RW	0x03355460	clk_i2s1_8ch_rx_frac_div clk_i2s1_8ch_rx_frac fraction division register. High 16-bit for numerator Low 16-bit for denominator

**PMU1CRU CLKSEL CON09**



Address: Operational Base + offset (0x0324)

Bit	Attr	Reset Value	Description
31:16	WO	0x0000	write_enable Write enable for lower 16 bits, each bit is individual. 1'b0: Write access disable 1'b1: Write access enable
15:11	RO	0x00	reserved
10	RW	0x0	clk_usbdp_combo_phy0_ref_xtal_sel clk_usbdp_combo_phy0_ref_xtal clock mux. 1'b0: xin_osc0_func 1'b1: clk_ppll
9:5	RW	0x00	clk_usbdp_combo_phy0_ref_xtal_div Divide clk_usbdp_combo_phy0_ref_xtal by (div_con + 1).
4	RW	0x0	mclk_pdm0_sel mclk_pdm0 clock mux. 1'b0: clk_matrix_pmu1_300m_src 1'b1: clk_matrix_pmu1_200m_src
3:2	RW	0x2	i2s1_8ch_mclkout_sel i2s1_8ch_mclkout clock mux. 2'b00: mclk_i2s1_8ch_tx 2'b01: mclk_i2s1_8ch_rx 2'b10: xin_osc0_half
1:0	RW	0x3	mclk_i2s1_8ch_rx_sel mclk_i2s1_8ch_rx clock mux. 2'b00: clk_i2s1_8ch_rx_src 2'b01: clk_i2s1_8ch_rx_frac 2'b10: i2s1_mclkin 2'b11: xin_osc0_half

**PMU1CRU CLKSEL CON12**

Address: Operational Base + offset (0x0330)

Bit	Attr	Reset Value	Description
31:16	WO	0x0000	write_enable Write enable for lower 16 bits, each bit is individual. 1'b0: Write access disable 1'b1: Write access enable
15:12	RO	0x0	reserved
11	RW	0x0	clk_hdptx0_ref_xtal_sel clk_hdptx0_ref_xtal clock mux. 1'b0: xin_osc0_func 1'b1: clk_ppll
10:6	RW	0x00	clk_hdptx0_ref_xtal_div Divide clk_hdptx0_ref_xtal by (div_con + 1).
5:0	RO	0x00	reserved

**PMU1CRU CLKSEL CON14**

Address: Operational Base + offset (0x0338)

Bit	Attr	Reset Value	Description
31:16	WO	0x0000	write_enable Write enable for lower 16 bits, each bit is individual. 1'b0: Write access disable 1'b1: Write access enable
15	RO	0x0	reserved

Bit	Attr	Reset Value	Description
14	RW	0x0	clk_otgphy_u3_0_sel clk_otgphy_u3_0 clock mux. 1'b0: xin_osc0_func 1'b1: clk_ppll
13:9	RW	0x00	clk_otgphy_u3_0_div Divide clk_otgphy_u3_0 by (div_con + 1).
8:7	RW	0x0	clk_ref_mipi_dcphy0_sel clk_ref_mipi_dcphy0 clock mux. 2'b00: xin_osc0_func 2'b01: clk_ppll 2'b10: clk_spll_mux
6:0	RW	0x00	clk_ref_mipi_dcphy0_div Divide clk_ref_mipi_dcphy0 by (div_con + 1).

**PMU1CRU CLKSEL CON15**

Address: Operational Base + offset (0x033C)

Bit	Attr	Reset Value	Description
31:16	WO	0x0000	write_enable Write enable for lower 16 bits, each bit is individual. 1'b0: Write access disable 1'b1: Write access enable
15:7	RO	0x000	reserved
6:5	RW	0x0	clk_cr_para_sel clk_cr_para clock mux. 2'b00: xin_osc0_func 2'b01: clk_ppll 2'b10: clk_spll_mux
4:0	RW	0x00	clk_cr_para_div Divide clk_cr_para by (div_con + 1).

**PMU1CRU CLKSEL CON17**

Address: Operational Base + offset (0x0344)

Bit	Attr	Reset Value	Description
31:16	WO	0x0000	write_enable Write enable for lower 16 bits, each bit is individual. 1'b0: Write access disable 1'b1: Write access enable
15:1	RO	0x0000	reserved
0	RW	0x0	dbclk_gpio0_sel dbclk_gpio0 clock mux. 1'b0: xin_osc0_func 1'b1: clk_deepslow

**PMU1CRU GATE CON00**

Address: Operational Base + offset (0x0800)

Bit	Attr	Reset Value	Description
31:16	WO	0x0000	write_enable Write enable for lower 16 bits, each bit is individual. 1'b0: Write access disable 1'b1: Write access enable
15	RW	0x0	clk_pmu_cm0_rtc_en clk_pmu_cm0_rtc clock gating control. When high, disable clock
14	RO	0x0	reserved

Bit	Attr	Reset Value	Description
13	RW	0x0	fclk_pmu_cm0_core_en fclk_pmu_cm0_core clock gating control. When high, disable clock
12	RW	0x0	hclk_pmu_cm0_biu_en hclk_pmu_cm0_biu clock gating control. When high, disable clock
11	RW	0x0	pclk_pmu1_biu_en pclk_pmu1_biu clock gating control. When high, disable clock
10	RW	0x0	hclk_pmu1_biu_en hclk_pmu1_biu clock gating control. When high, disable clock
9	RW	0x0	hclk_pmu_cm0_root_en hclk_pmu_cm0_root clock gating control. When high, disable clock
8	RW	0x0	hclk_pmu_cm0_root_i_en hclk_pmu_cm0_root_i clock gating control. When high, disable clock
7	RW	0x0	pclk_pmu1_root_i_en pclk_pmu1_root_i clock gating control. When high, disable clock
6	RW	0x0	hclk_pmu1_root_en hclk_pmu1_root clock gating control. When high, disable clock
5	RW	0x0	hclk_pmu1_root_i_en hclk_pmu1_root_i clock gating control. When high, disable clock
4	RW	0x0	clk_matrix_pmu1_400m_src_en clk_matrix_pmu1_400m_src clock gating control. When high, disable clock
3	RW	0x0	clk_matrix_pmu1_300m_src_en clk_matrix_pmu1_300m_src clock gating control. When high, disable clock
2	RW	0x0	clk_matrix_pmu1_200m_src_en clk_matrix_pmu1_200m_src clock gating control. When high, disable clock
1	RW	0x0	clk_matrix_pmu1_100m_src_en clk_matrix_pmu1_100m_src clock gating control. When high, disable clock
0	RW	0x0	clk_matrix_pmu1_50m_src_en clk_matrix_pmu1_50m_src clock gating control. When high, disable clock

**PMU1CRU\_GATE\_CON01**

Address: Operational Base + offset (0x0804)

Bit	Attr	Reset Value	Description
31:16	WO	0x0000	write_enable Write enable for lower 16 bits, each bit is individual. 1'b0: Write access disable 1'b1: Write access enable
15	RO	0x0	reserved
14	RW	0x0	clk_pmu1pwm_capture_en clk_pmu1pwm_capture clock gating control. When high, disable clock

Bit	Attr	Reset Value	Description
13	RW	0x0	clk_pmu1pwm_en clk_pmu1pwm clock gating control. When high, disable clock
12	RW	0x0	pclk_pmu1pwm_en pclk_pmu1pwm clock gating control. When high, disable clock
11	RW	0x0	clk_pmu1timer1_en clk_pmu1timer1 clock gating control. When high, disable clock
10	RW	0x0	clk_pmu1timer0_en clk_pmu1timer0 clock gating control. When high, disable clock
9	RW	0x0	clk_pmu1timer_root_en clk_pmu1timer_root clock gating control. When high, disable clock
8	RW	0x0	pclk_pmu1timer_en pclk_pmu1timer clock gating control. When high, disable clock
7	RW	0x0	tclk_pmu1wdt_en tclk_pmu1wdt clock gating control. When high, disable clock
6	RW	0x0	pclk_pmu1wdt_en pclk_pmu1wdt clock gating control. When high, disable clock
5	RW	0x0	pclk_pmu1_ioc_en pclk_pmu1_ioc clock gating control. When high, disable clock
4	RW	0x0	pclk_pmu1_grf_en pclk_pmu1_grf clock gating control. When high, disable clock
3	RW	0x0	clk_pmu1_en clk_pmu1 clock gating control. When high, disable clock
2	RW	0x0	pclk_pmu1_cru_en pclk_pmu1_cru clock gating control. When high, disable clock
1	RW	0x0	clk_ddr_fail_safe_en clk_ddr_fail_safe clock gating control. When high, disable clock
0	RW	0x0	pclk_pmu1_en pclk_pmu1 clock gating control. When high, disable clock

**PMU1CRU\_GATE\_CON02**

Address: Operational Base + offset (0x0808)

Bit	Attr	Reset Value	Description
31:16	WO	0x0000	write_enable Write enable for lower 16 bits, each bit is individual. 1'b0: Write access disable 1'b1: Write access enable
15	RW	0x0	mclk_pdm0_en mclk_pdm0 clock gating control. When high, disable clock

Bit	Attr	Reset Value	Description
14	RW	0x0	hclk_pdm0_en hclk_pdm0 clock gating control. When high, disable clock
13	RW	0x0	mclk_i2s1_8ch_rx_en mclk_i2s1_8ch_rx clock gating control. When high, disable clock
12	RW	0x0	clk_i2s1_8ch_frac_rx_en clk_i2s1_8ch_rx_frac clock gating control. When high, disable clock
11	RW	0x0	clk_i2s1_8ch_rx_en clk_i2s1_8ch_rx_src clock gating control. When high, disable clock
10	RW	0x0	mclk_i2s1_8ch_tx_en mclk_i2s1_8ch_tx clock gating control. When high, disable clock
9	RW	0x0	clk_i2s1_8ch_frac_tx_en clk_i2s1_8ch_tx_frac clock gating control. When high, disable clock
8	RW	0x0	clk_i2s1_8ch_tx_en clk_i2s1_8ch_tx_src clock gating control. When high, disable clock
7	RW	0x0	hclk_i2s1_8ch_en hclk_i2s1_8ch clock gating control. When high, disable clock
6	RW	0x0	pclk_uart0_en pclk_uart0 clock gating control. When high, disable clock
5	RW	0x0	sclk_uart0_en sclk_uart0 clock gating control. When high, disable clock
4	RW	0x0	clk_uart0_frac_en clk_uart0_frac clock gating control. When high, disable clock
3	RW	0x0	clk_uart0_en clk_uart0_src clock gating control. When high, disable clock
2	RW	0x0	clk_i2c0_en clk_i2c0 clock gating control. When high, disable clock
1	RW	0x0	pclk_i2c0_en pclk_i2c0 clock gating control. When high, disable clock
0	RO	0x0	reserved

**PMU1CRU GATE CON03**

Address: Operational Base + offset (0x080C)

Bit	Attr	Reset Value	Description
31:16	WO	0x0000	write_enable Write enable for lower 16 bits, each bit is individual. 1'b0: Write access disable 1'b1: Write access enable
15:12	RO	0x0	reserved
11	RW	0x0	clk_hdptx0_ref_xtal_en clk_hdptx0_ref_xtal clock gating control. When high, disable clock

Bit	Attr	Reset Value	Description
10:6	RO	0x00	reserved
5	RW	0x0	clk_usbdp_combo_phy0_ref_xtal_en clk_usbdp_combo_phy0_ref_xtal clock gating control. When high, disable clock
4:1	RO	0x0	reserved
0	RW	0x0	hclk_vad_en hclk_vad clock gating control. When high, disable clock

**PMU1CRU\_GATE\_CON04**

Address: Operational Base + offset (0x0810)

Bit	Attr	Reset Value	Description
31:16	WO	0x0000	write_enable Write enable for lower 16 bits, each bit is individual. 1'b0: Write access disable 1'b1: Write access enable
15:12	RO	0x0	reserved
11	RW	0x0	clk_cr_para_en clk_cr_para clock gating control. When high, disable clock
10:8	RO	0x0	reserved
7	RW	0x0	clk_otgphy_u3_0_en clk_otgphy_u3_0 clock gating control. When high, disable clock
6:4	RO	0x0	reserved
3	RW	0x0	clk_ref_mipi_dcphy0_en clk_ref_mipi_dcphy0 clock gating control. When high, disable clock
2:0	RO	0x0	reserved

**PMU1CRU\_GATE\_CON05**

Address: Operational Base + offset (0x0814)

Bit	Attr	Reset Value	Description
31:16	WO	0x0000	write_enable Write enable for lower 16 bits, each bit is individual. 1'b0: Write access disable 1'b1: Write access enable
15:7	RO	0x0000	reserved
6	RW	0x0	dbclk_gpio0_en dbclk_gpio0 clock gating control. When high, disable clock
5	RW	0x0	pclk_gpio0_en pclk_gpio0 clock gating control. When high, disable clock
4	RW	0x0	pclk_pmu0ioc_en pclk_pmu0ioc clock gating control. When high, disable clock
3	RW	0x0	pclk_pmu0grf_en pclk_pmu0grf clock gating control. When high, disable clock
2	RW	0x0	pclk_pmu0_en pclk_pmu0 clock gating control. When high, disable clock

Bit	Attr	Reset Value	Description
1	RW	0x0	clk_pmu0_en clk_pmu0 clock gating control. When high, disable clock
0	RW	0x0	pclk_pmu0_root_en pclk_pmu0_root clock gating control. When high, disable clock

**PMU1CRU SOFTRST CON00**

Address: Operational Base + offset (0x0A00)

Bit	Attr	Reset Value	Description
31:16	WO	0x0000	write_enable Write enable for lower 16 bits, each bit is individual. 1'b0: Write access disable 1'b1: Write access enable
15	RO	0x0	reserved
14	RW	0x0	tresetn_pmu1_cm0_jtag When high, reset relative logic
13	RW	0x1	firesetn_pmu_cm0_core When high, reset relative logic
12	RW	0x0	hresetn_pmu_cm0_biu When high, reset relative logic
11	RW	0x0	presetn_pmu1_biu When high, reset relative logic
10	RW	0x0	hresetn_pmu1_biu When high, reset relative logic
9:0	RO	0x000	reserved

**PMU1CRU SOFTRST CON01**

Address: Operational Base + offset (0x0A04)

Bit	Attr	Reset Value	Description
31:16	WO	0x0000	write_enable Write enable for lower 16 bits, each bit is individual. 1'b0: Write access disable 1'b1: Write access enable
15:14	RO	0x0	reserved
13	RW	0x0	resetn_pmu1pwm When high, reset relative logic
12	RW	0x0	presetn_pmu1pwm When high, reset relative logic
11	RW	0x0	resetn_pmu1timer1 When high, reset relative logic
10	RW	0x0	resetn_pmu1timer0 When high, reset relative logic
9	RO	0x0	reserved
8	RW	0x0	presetn_pmu1timer When high, reset relative logic
7	RW	0x0	tresetn_pmu1wdt When high, reset relative logic
6	RW	0x0	presetn_pmu1wdt When high, reset relative logic
5	RW	0x0	presetn_pmu1_ioc When high, reset relative logic
4	RW	0x0	presetn_pmu1_grf When high, reset relative logic

Bit	Attr	Reset Value	Description
3	RO	0x0	reserved
2	RW	0x0	presetn_cru_pmu1 When high, reset relative logic
1	RW	0x0	resetrn_ddr_fail_safe When high, reset relative logic
0	RO	0x0	reserved

**PMU1CRU SOFTRST CON02**

Address: Operational Base + offset (0x0A08)

Bit	Attr	Reset Value	Description
31:16	WO	0x0000	write_enable Write enable for lower 16 bits, each bit is individual. 1'b0: Write access disable 1'b1: Write access enable
15	RW	0x0	resetrn_pdm0 When high, reset relative logic
14	RW	0x0	hresetrn_pdm0 When high, reset relative logic
13	RW	0x0	mresetrn_i2s1_8ch_rx When high, reset relative logic
12:11	RO	0x0	reserved
10	RW	0x0	mresetrn_i2s1_8ch_tx When high, reset relative logic
9:8	RO	0x0	reserved
7	RW	0x0	hresetrn_i2s1_8ch When high, reset relative logic
6	RW	0x0	presetrn_uart0 When high, reset relative logic
5	RW	0x0	sresetrn_uart0 When high, reset relative logic
4:3	RO	0x0	reserved
2	RW	0x0	resetrn_i2c0 When high, reset relative logic
1	RW	0x0	presetrn_i2c0 When high, reset relative logic
0	RO	0x0	reserved

**PMU1CRU SOFTRST CON03**

Address: Operational Base + offset (0x0A0C)

Bit	Attr	Reset Value	Description
31:16	WO	0x0000	write_enable Write enable for lower 16 bits, each bit is individual. 1'b0: Write access disable 1'b1: Write access enable
15	RW	0x0	resetrn_hdptx1_init When high, reset relative logic
14	RO	0x0	reserved
13	RW	0x0	resetrn_hdptx0_lane When high, reset relative logic
12	RW	0x0	resetrn_hdptx0_cmn When high, reset relative logic
11	RW	0x0	resetrn_hdptx0_init When high, reset relative logic
10:1	RO	0x000	reserved



Bit	Attr	Reset Value	Description
0	RW	0x0	hresetn_vad When high, reset relative logic

**PMU1CRU SOFTRST CON04**

Address: Operational Base + offset (0x0A10)

Bit	Attr	Reset Value	Description
31:16	WO	0x0000	write_enable Write enable for lower 16 bits, each bit is individual. 1'b0: Write access disable 1'b1: Write access enable
15:11	RO	0x00	reserved
10	RW	0x0	resetn_otgphy_u2_1 When high, reset relative logic
9	RW	0x0	resetn_otgphy_u2_0 When high, reset relative logic
8	RW	0x0	resetn_otgphy_u3_1 When high, reset relative logic
7	RW	0x0	resetn_otgphy_u3_0 When high, reset relative logic
6	RW	0x0	sresetn_mipi_dcphy1 When high, reset relative logic
5	RW	0x0	mresetn_mipi_dcphy1 When high, reset relative logic
4	RW	0x0	sresetn_mipi_dcphy0 When high, reset relative logic
3	RW	0x0	mresetn_mipi_dcphy0 When high, reset relative logic
2	RO	0x0	reserved
1	RW	0x0	resetn_hdptx1_lane When high, reset relative logic
0	RW	0x0	resetn_hdptx1_cmn When high, reset relative logic

**PMU1CRU SOFTRST CON05**

Address: Operational Base + offset (0x0A14)

Bit	Attr	Reset Value	Description
31:16	WO	0x0000	write_enable Write enable for lower 16 bits, each bit is individual. 1'b0: Write access disable 1'b1: Write access enable
15:7	RO	0x000	reserved
6	RW	0x0	dbresetn_gpio0 When high, reset relative logic
5	RW	0x0	presetn_gpio0 When high, reset relative logic
4	RW	0x0	presetn_pmu0ioc When high, reset relative logic
3	RW	0x0	presetn_pmu0grf When high, reset relative logic
2:0	RO	0x0	reserved

**PMU1CRU AUTOCS HCLK PMU CM0 ROOT I CON0**

Address: Operational Base + offset (0x0D00)

Bit	Attr	Reset Value	Description
31:16	RW	0x0020	hclk_pmu_cm0_root_i_wait_th wait_th Wait time threshold, measured by original clk.
15:0	RW	0x0004	hclk_pmu_cm0_root_i_idle_th idle_th Idle time threshold, measured by original clk.

**PMU1CRU AUTOCS HCLK PMU CM0 ROOT I CON1**

Address: Operational Base + offset (0x0D04)

Bit	Attr	Reset Value	Description
31:16	WO	0x0000	write_enable Write enable for lower 16 bits, each bit is individual. 1'b0: Write access disable 1'b1: Write access enable
15:14	RW	0x0	hclk_pmu_cm0_root_i_clkssel_cfg clkssel_cfg Auto switch clock selection. 2'b00: Original clk 2'b01: xin_osc0_func_div 2'b10: clk_rtc_32k
13	RW	0x0	hclk_pmu_cm0_root_i_switch_en switch_en 1'b1: Enable hclk_pmu_cm0_root_i switched to lower frequency when module is inactive. 1'b0: Disable auto switch function.
12	RW	0x0	hclk_pmu_cm0_root_i_autocs_en autocs_en 1'b1: Enable hclk_pmu_cm0_root_i switch to lower frequency. 1'b0: Disable.
11:0	RW	0x000	hclk_pmu_cm0_root_i_autocs_ctrl autocs_ctrl 12'hfff: Enable hclk_pmu_cm0_root_i switch to lower frequency. 12'h000: Disable. Others: Reserved.

**2.16 PMU1SCRU Register Description**

**2.16.1 Registers Summary**

Name	Offset	Size	Reset Value	Description
<u>PMU1SCRU_CLKSEL_CON00</u>	0x0300	W	0x00000000	Internal clock select and division register 0
<u>PMU1SCRU_CLKSEL_CON02</u>	0x0308	W	0x0040B71B	Internal clock select and division register 2
<u>PMU1SCRU_GATE_CON00</u>	0x0800	W	0x00000000	Internal clock gate and division register 0
<u>PMU1SCRU_GATE_CON01</u>	0x0804	W	0x00000000	Internal clock gate and division register 1
<u>PMU1SCRU_SOFTRST_CN00</u>	0x0A00	W	0x00000000	Internal clock reset register 0
<u>PMU1SCRU_SOFTRST_CN01</u>	0x0A04	W	0x00000000	Internal clock reset register 1

Notes: **Size: B**- Byte (8 bits) access, **HW**- Half WORD (16 bits) access, **W**-WORD (32 bits) access, **DW**-

Double WORD (64 bits) access

**2.16.2 Detail Registers Description**

**PMU1SCRU\_CLKSEL\_CON00**

Address: Operational Base + offset (0x0300)

Bit	Attr	Reset Value	Description
31:16	WO	0x0000	write_enable Write enable for lower 16 bits, each bit is individual. 1'b0: Write access disable 1'b1: Write access enable
15:4	RO	0x000	reserved
3:2	RW	0x0	pclk_pmu1_s_root_i_sel pclk_pmu1_s_root_i clock mux. 2'b00: clk_matrix_pmu1_100m_src 2'b01: clk_matrix_pmu1_50m_src 2'b10: xin_osc0_func
1:0	RW	0x0	hclk_pmu1_s_root_i_sel hclk_pmu1_s_root_i clock mux. 2'b00: clk_matrix_pmu1_200m_src 2'b01: clk_matrix_pmu1_100m_src 2'b10: clk_matrix_pmu1_50m_src 2'b11: xin_osc0_func

**PMU1SCRU\_CLKSEL\_CON02**

Address: Operational Base + offset (0x0308)

Bit	Attr	Reset Value	Description
31:0	RW	0x0040b71b	xin_osc0_div_div xin_osc0_div fraction division register. High 16-bit for numerator Low 16-bit for denominator

**PMU1SCRU\_GATE\_CON00**

Address: Operational Base + offset (0x0800)

Bit	Attr	Reset Value	Description
31:16	WO	0x0000	write_enable Write enable for lower 16 bits, each bit is individual. 1'b0: Write access disable 1'b1: Write access enable
15:10	RO	0x00	reserved
9	RW	0x0	pclk_pmu1_cru_s_en pclk_pmu1_cru_s clock gating control. When high, disable clock
8	RW	0x0	pclk_pmu1_sgrf_en pclk_pmu1_sgrf clock gating control. When high, disable clock
7	RW	0x0	hclk_pmu1_mem_en hclk_pmu1_mem clock gating control. When high, disable clock
6	RW	0x0	pclk_pmu1_osc_chk_en pclk_pmu1_osc_chk clock gating control. When high, disable clock
5	RW	0x0	pclk_pmu1_s_biu_en pclk_pmu1_s_biu clock gating control. When high, disable clock

Bit	Attr	Reset Value	Description
4	RW	0x0	hclk_pmu1_s_biu_en hclk_pmu1_s_biu clock gating control. When high, disable clock
3	RW	0x0	pclk_pmu1_s_root_en pclk_pmu1_s_root_i clock gating control. When high, disable clock
2	RW	0x0	hclk_pmu1_s_root_en hclk_pmu1_s_root clock gating control. When high, disable clock
1	RW	0x0	hclk_pmu1_s_root_i_en hclk_pmu1_s_root_i clock gating control. When high, disable clock
0	RO	0x0	reserved

**PMU1SCRU\_GATE\_CON01**

Address: Operational Base + offset (0x0804)

Bit	Attr	Reset Value	Description
31:16	WO	0x0000	write_enable Write enable for lower 16 bits, each bit is individual. 1'b0: Write access disable 1'b1: Write access enable
15:10	RO	0x00	reserved
9	RW	0x0	clk_pmu0_32k_hp_timer_en clk_pmu0_32k_hp_timer clock gating control. When high, disable clock
8	RW	0x0	clk_pmu0_hp_timer_en clk_pmu0_hp_timer clock gating control. When high, disable clock
7	RW	0x0	pclk_pmu0_hp_timer_en pclk_pmu0_hp_timer clock gating control. When high, disable clock
6	RW	0x0	pclk_pmu0_scrkeygen_en pclk_pmu0_scrkeygen clock gating control. When high, disable clock
5	RO	0x0	reserved
4	RW	0x0	pclk_pmu0_sgrf_en pclk_pmu0_sgrf clock gating control. When high, disable clock
3	RW	0x0	pclk_pmu0pvtm_en pclk_pmu0pvtm clock gating control. When high, disable clock
2	RW	0x0	clk_pmu0pvtm_en clk_pmu0pvtm clock gating control. When high, disable clock
1	RW	0x0	pclk_pmu0_s_root_en pclk_pmu0_s_root clock gating control. When high, disable clock
0	RW	0x0	xin_osc0_div_en xin_osc0_div clock gating control. When high, disable clock

**PMU1SCRU\_SOFTTRST\_CON00**

Address: Operational Base + offset (0x0A00)

Bit	Attr	Reset Value	Description
31:16	WO	0x0000	write_enable Write enable for lower 16 bits, each bit is individual. 1'b0: Write access disable 1'b1: Write access enable
15:10	RO	0x00	reserved
9	RW	0x0	presetn_pmu1_cru_s When high, reset relative logic
8	RW	0x0	presetn_pmu1_sgrf When high, reset relative logic
7	RW	0x0	hresetn_pmu1_mem When high, reset relative logic
6	RW	0x0	presetn_pmu1_osc_chk When high, reset relative logic
5	RW	0x0	presetn_pmu1_s_biu When high, reset relative logic
4	RW	0x0	hresetn_pmu1_s_biu When high, reset relative logic
3:0	RO	0x0	reserved

### **PMU1SCRU SOFTRST CON01**

Address: Operational Base + offset (0x0A04)

Bit	Attr	Reset Value	Description
31:16	WO	0x0000	write_enable Write enable for lower 16 bits, each bit is individual. 1'b0: Write access disable 1'b1: Write access enable
15:10	RO	0x00	reserved
9	RW	0x0	resetrn_pmu0_32k_hp_timer When high, reset relative logic
8	RW	0x0	resetrn_pmu0_hp_timer When high, reset relative logic
7	RW	0x0	presetrn_pmu0_hp_timer When high, reset relative logic
6	RO	0x0	reserved
5	RW	0x0	presetrn_pmu0_sgrf_remap When high, reset relative logic
4	RW	0x0	presetrn_pmu0_sgrf When high, reset relative logic
3	RW	0x0	presetrn_pmu0pvtm When high, reset relative logic
2	RW	0x0	resetrn_pmu0pvtm When high, reset relative logic
1:0	RO	0x0	reserved

## **2.17 Application Notes**

### **2.17.1 PLL Usage**

#### **2.17.1.1 Start-up Operation**

Set the registers (such as P[5:0], M[9:0] and so on) at time t3 after setting the power from 0V to VDD at time t2.

Set RESETB=0 before PLL starts to operate. Then set RESETB=1 at t4 to initialize PLL and to start AFC. Note that PLL generates a clock signal with the desired frequency only after Lock time has been passed.

To change the P[5:0] and M[9:0], PLL must be initialized. However S[2:0] and BYPASS can be changed without the initialization of PLL. The other input pins are not allowed to be changed after PLL is locked.

To ensure that the register values and operation-mode controls are stable, the time intervals of  $\Delta t_2(t_4-t_2)$  and  $\Delta t_3(t_4-t_3)$  should be greater than  $1\mu s$  and  $1/F_{FREF}$  respectively.

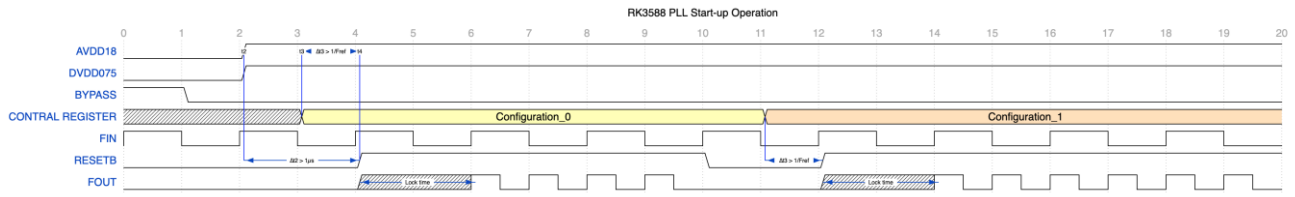


Fig. 2-6 PLL Start-up Operation

**2.17.1.2 Bypass Operation**

Bypass mode functions only when PLL is operating (RESETB=1). When  $\Delta T >$  lock time (as illustrated in Fig. 2-7), PLL generates a stable clock signal with desired target frequency.

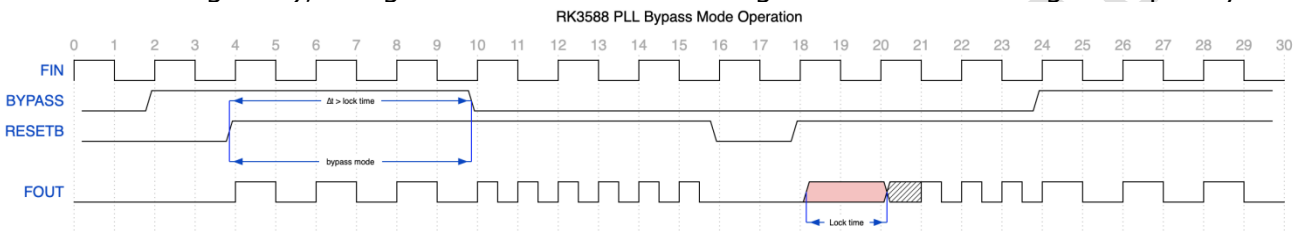


Fig. 2-7 PLL Bypass Operation

**2.17.1.3 Glitch-free Scaler Operation**

S[2:0] can be changed after PLL is locked. The timing diagram of glitch-free scaler is illustrated in figure below.

When S[2:0] or BYPASS is changed, FOUT first maintains output frequency during max. 3 cycles of FIN and then moves to logic low for 2 cycles of FIN. After completing the re-initialization time, FOUT goes to the desired frequency.

To guarantee the glitch-free functionality of scaler in PLL which needs re-initialization time for max 5 cycles of FIN, FIN has to be lower than FOUT. If FIN is higher than FOUT, set FOUT\_MASK=1. Note that the maximum re-initialization time for the case of FOUT\_MASK=1 takes 8 times longer than that for the case of FOUT\_MASK=0.

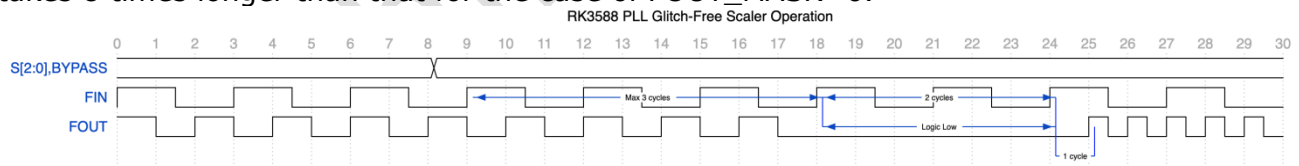


Fig. 2-8 PLL Glitch-free Scaler Operation

**2.17.1.4 Setting Guide on P, M, S, and K**

p, m, s, and k are decimal values of P[5:0], M[9:0], S[2:0], and K[15:0], respectively. (where p = P[5:0], m = M[9:0], s = S[2:0], and k = K[15:0])

FFVCO and FFOUT are calculated by the following equation.

PLL Type	Equation
FRACPLL	FFVCO = $((m + k / 65536) * FFIN) / p$ FFOUT = $((m + k / 65536) * FFIN) / (p * 2^s)$
DDRPLL	FFVCO = $((m + k / 65536) * 2 * FFIN) / p$ FFOUT = $((m + k / 65536) * 2 * FFIN) / (p * 2^s)$
INTPLL	FFVCO = $(m * FFIN) / p$ FFOUT = $(m * FFIN) / (p * 2^s)$
Parameter	$1 \leq p \leq 63, 64 \leq m \leq 1023, 0 \leq s \leq 6$

P[5:0], M[9:0] and S[2:0] are unsigned integers. K[15:0] is a two's complement integer.  
6'b00\_0001 <= P[5:0] <= 6'b11\_1111

10'b00\_0100\_0000 <= M[9:0] <= 10'b11\_1111\_1111

3'b000 <= S[2:0] <= 3'b110

16'b1000\_0000\_0000\_0000 <= K[15:0] <= 16'b0111\_1111\_1111\_1111

Setting P[5:0] or M[9:0] to all zeros is strictly prohibited while RESETB = 1. (6'b00\_0000 / 10'b00\_0000\_0000) The division ratio of scaler is controlled by S[2:0] as summarized.

### 2.17.1.5 Setting Guide on SSCG\_EN, SEL\_PF, MFR and MRR

When SSCG\_EN is set to logic high, the spread spectrum mode is enabled.

sel\_pf, mfr, and mrr are decimal values of SEL\_PF[1:0], MFR[7:0] and MRR[5:0], respectively. (where sel\_pf = SEL\_PF[1:0], mfr = MFR[7:0], mrr = MRR[5:0])

Modulation frequency, MF, is determined by the following equation:

$$MF = FFIN / p / mfr / (2^5)[\text{Hz}].$$

Modulation rate(pk-pk), MR, is determined by the following equation:

$$MR = mfr * mrr / m / (2^6) * 100 [\%].$$

Modulation mode is determined by sel\_pf.

00: down spread, 01: up spread, 1x: center spread

Range of registers.

8'b0000\_0000 <= MFR[7:0] <= 8'b1111\_1111

6'b00\_0001 <= MRR[5:0] <= 6'b11\_1111

0 <= mrr \* mfr <= 512

2'b00 <= SEL\_PF[1:0] <= 2'b10

### 2.17.1.6 Setting Guide on RESETB and BYPASS

RESETB is a reset signal of PLL. PLL enters the power down mode when RESETB = 0.

BYPASS enables the bypass mode of PLL. When BYPASS = 1, PLL enters the bypass mode and FOUT is equal to FIN.

## 2.17.2 Divider Usage

CRU supports multi-dividers for different clock requirement.

- Divider free divider
- Fractional divider
- DivfreeDT50 divider(DT50)
- DivfreeNP5 divider(NP5)

### 2.17.2.1 DivFree Divider Usage

Frequency of this divider=clk\_src/(n+1).

### 2.17.2.2 Fractional Divider Usage

To get specific frequency, clocks of I2S, audio PWM, UART and SPDIF can be generated by fractional divider. Generally you should set that denominator 20 times larger than numerator to generate precise clock frequency. So the fractional divider applies only to generate low frequency clock.

### 2.17.2.3 DivfreeDT50 Divider Usage

Some modules like EMMC, SDIO, SDMMC need clock of 50% duty cycle, divfree50 can generate clock of 50% duty cycle even in odd value divisor.

### 2.17.2.4 DivFreeNP5 Divider Usage

Some modules need some special frequency can use this divider. Frequency of this divider=clk\_src/((2\*n+3)/2).

## 2.17.3 Global Software Reset

Two global software resets are designed in RK3588. These two software resets are self-de-asserted by hardware. Hold time of global software reset (glb\_srstn\_1, glb\_srstn\_2, wdt\_rstn, tsadc\_rstn) can be programed up to 1ms.

- CRU\_GLB\_SRST\_FST\_VALUE[15:0] = 0xfdb9 to assert the first global software reset glb\_srstn\_1
- CRU\_GLB\_SRST\_SND\_VALUE[15:0] = 0xec8 to assert the second global software reset glb\_srstn\_2

- glb\_srstn\_1 resets almost all logic except some registers just supporting hardware reset
- glb\_srstn\_2 resets almost all logic except GRFs and GPIOs

Reset for IP in PD\_PMU can be hold if its reset\_hold\_enable in PMUGRF\_PMU\_SOC\_CON1 or PMUGRF\_PMU\_SOC\_CON2 is high even if glb\_srstn\_1 or glb\_srstn\_2 active.

Rockchip Confidential



## Chapter 3 CPU

### 3.1 Overview

The RK3588 has a cluster with quad-core Cortex-A55 and quad-core Cortex-A76 of which the cores are all single-threaded. Cortex-A55 processor, which is a mid-range, low-power processor that implements the ARMv8-A architecture. And the Cortex-A76 core is a high-performance and low-power Arm product that implements the Armv8-A architecture.

The processor includes following features:

- Full implementation of the Armv8.2-A A64, A32, and T32 instruction sets
- Both the AArch32 and AArch64 execution states at all Exception levels (EL0 to EL3)
- In-order pipeline with direct and indirect branch prediction
- Separate L1 data and instruction side memory systems with a Memory Management Unit (MMU)
- Support for Arm TrustZone technology
- Support data engine that implements the Advanced SIMD and floating-point architecture support
- Support Cryptographic Extension
- ARMv8 debug logic
- Support Generic Interrupt Controller (GIC) CPU interface to connect to an external distributor
- Generic Timers supporting 64-bit count input from an external system counter

The configuration details are shown in following tables

Table 3-1 CPU Configuration

Number of little cores(A55)	4
Number of big cores(A76)	4
L1 I cache size of A55	32K
L1 D cache size of A55	32K
L2 cache size of A55	128K
L1 I cache size of A76	64K
L1 D cache size of A76	64K
L2 cache size of A76	512K
L3 cache size	3072K
L3 data RAM output latency	3 cycles
L3 data RAM input latency	2p cycles
CPU cache protection	No
DSU L3 cache protection	No
BUS master interface	AXI4
NEON and floating-point support	Yes
Cryptography extension	Yes

### 3.2 Block Diagram

The quad-core Cortex-A55 and quad-core Cortex-A76 subsystem is shown as below. As illustrated, the cores connect to system bus through DSU-L3 which can handle with CDC (clock domain crossing) issue.

The Cortex-A55 and Cortex-A76 is connected with system counter, which can run under a constant frequency clock, for PPI interrupt generation.

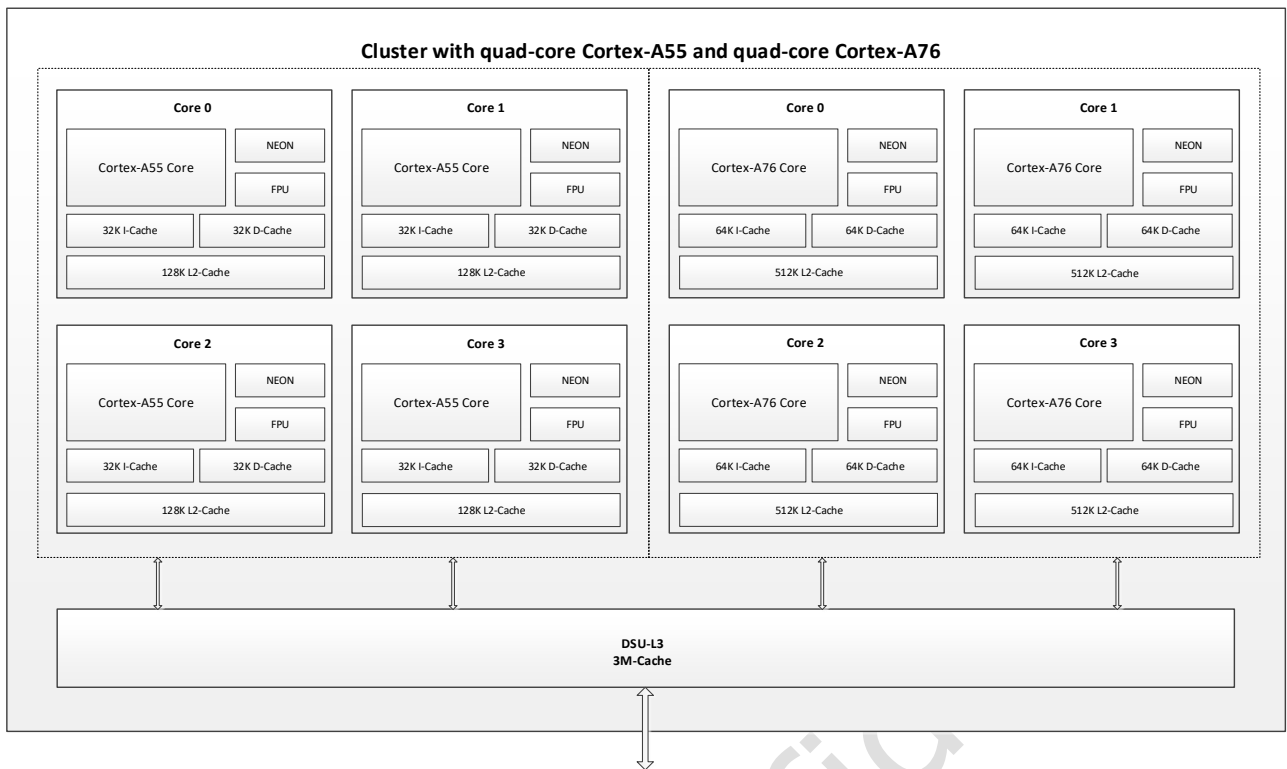


Fig. 3-1 Block Diagram

### 3.3 Function Description

Please refer to the document cortex\_a55\_r2p0\_trm.pdf, cortex\_a76\_r4p0\_trm.pdf and dsu\_r4p1\_trm.pdf for the detail function description.

## Chapter 4 Graphics Process Unit (GPU)

### 4.1 Overview

The Mali-G610 GPU is a graphics acceleration platform that is based on open standards. It supports 2D graphics, 3D graphics, and General Purpose computing on GPU (GPGPU).

#### 4.1.1 Features

The features listed below which may or may not be present in actual product, may be subject to the third party licensing requirements. Please contact Rockchip for actual product feature configurations and licensing requirements.

The Arm Mali-G610 GPU has significant features and properties.

- Support of multiple clock and voltage domains, allowing you to maximize performance within a given power budget.
- Programmable architecture.
- API feature set with support for shader-based and fixed-function graphics APIs.
- Anti-aliasing capabilities.
- Effective core for General Purpose computing on GPU (GPGPU) applications.
- High memory bandwidth and low power consumption for 3D graphics content.
- Scalability for products from smartphones to high-end mobile computing.
- Performance leading 3D graphics.
- AMBA 4 AXI-Lite slave interface for GPU configuration.
- 128-bit or 256-bit AMBA 4 ACE master interface for external memory access.
- Easy integration.
- Latency tolerance.
- Compressed texture formats.
- Configurable per-core power management for enabling the optimal power and performance combination for each application.
- Coherency aware interconnects for system memory and resource sharing.
- Arm Frame Buffer Compression (AFBC) 1.3.
- 8-bit, 10-bit, and 16-bit YUV input and output formats.
- Secure processing of DRM-protected content.
- Support Serial Wire debug for embedded MCU

#### 4.1.2 Standard

The GPU hardware and software support compute standards and graphics API standards.

The GPU supports these compute API standards:

- OpenCL 2.2 Full Profile

The GPU supports these graphics API standards:

- OpenGL ES 1.1, 2.0, and 3.2
- Vulkan 1.2

## 4.2 Block Diagram

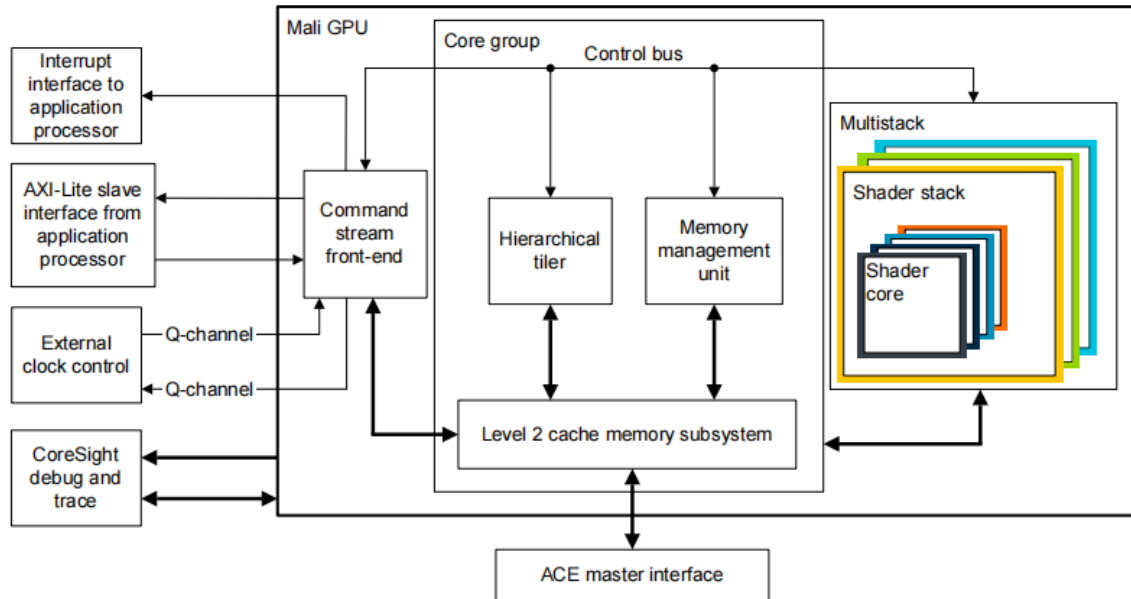


Fig. 4-1 GPU Architecture

## 4.3 Function Description

Please refer to the document "ARM\_Odin\_r0p0\_00eac0\_TechnicalReferenceManual.pdf" for the GPU detail description.

## 4.4 Register Description

Please refer to the document "ARM\_Odin\_r0p0\_00eac0\_TechnicalReferenceManual.pdf" for the GPU detail description.

## 4.5 Interface Description

There are two sets of serial debug interface for the embedded MCU. When we debug using serial wire, not only set IOMUX, but also configure the bit[11:10] of SYS\_GRP\_SOC\_CON10 to select the GPU MCU.

Table 4-1 MCU Serial Wire Debug Interface Description

Module Pin	Direction	Pad Name	IOMUX Setting
mcujtag_tckm0	I	SDMMC_CMD/PDM1_CLK1_M0/MCU_JTAG_TCK_M0/CAN0_TX_M1/UART5_RX_M0/PWM7_IR_M1/GPIO4_D4_u	BUS_IOC_GPIO4D_IOMUX_SEL_H[3:0] = 4'h5
mcujtag_tmism0	I/O	SDMMC_CLK/PDM1_CLK0_M0/TEST_CLKOUT_M0/MCU_JTAG_TMS_M0/CAN0_RX_M1/UART5_TX_M0/GPIO4_D5_d	BUS_IOC_GPIO4D_IOMUX_SEL_H[7:4] = 4'h5
mcujtag_tckm1	I	HDMI_TX0_HPD_M1/PCIE30X2_P0_ERSTN_M2/HDMI_RX_HPDP0_M1/MCU_JTAG_TCK_M1/UART9_RX_M2/SPI0_CS0_M3/GPIO3_D4_d	BUS_IOC_GPIO3D_IOMUX_SEL_H[3:0] = 4'h6
mcujtag_tmism1	I/O	PCIE30X4_BUTTON_RSTN/DP1_HPDIN_M0/MCU_JTAG_TMS_M1/UART9_TX_M2/PWM11_IR_M3/SPI0_CS1_M3/GPIO3_D5_d	BUS_IOC_GPIO3D_IOMUX_SEL_H[7:4] = 4'h6

Notes: I=input, O=output, I/O=input/output, bidirectional

## **4.6 Application Notes**

Please refer to the document "ARM\_Odin\_r0p0\_00eac0\_TechnicalReferenceManual.pdf" for the GPU detail description.

Rockchip Confidential

## Chapter 5 VPU

### 5.1 Overview

VPU is composed by VDPU121, VDPU381, AV1, VDPU720, VEPU121(JPEG encoder only) and VEPU580 to realize the high quality video decoding and encoding.

VDPU121 can support such as H.263, MPEG1/2/4 and so on, max solution is up to 1920x1088.

VDPU381 is a multi-format video decoder which supports H265, H264, VP9 and AVS2. It also supports dual-core decoding, max solution is up 64Kx64K.

VDPU720 is JPEG decoder.

VDPU981 is AV1 decoder.

VEPU121 is JPEG encoder.

VEPU580 is H264 and H264 combo video encoder.

#### 5.1.1 Feature

The features listed below which may or may not be present in actual product, may be subject to the third party licensing requirements. Please contact Rockchip for actual product feature configurations and licensing requirements.

The features of VDPU121 decoder are listed as follows:

- MMU embedded with MMU interrupt support
- VP8 version2, up to 1920x1088@60fps
- VC1 Simple Profile@low, medium, high levels, Main Profile@low, medium, high levels, Advanced Profile@level0~3, up to 1920x1088@60fps
- MPEG-4 Simple Profile@L0~6, Advanced Simple Profile@L0~5, up to 1920x1088@60fps
- MPEG-2 Main Profile, low, medium and high levels, up to 1920x1088@60fps
- MPEG-1 Main Profile, low, medium and high levels, up to 1920x1088@60fps
- H.263 Profile0, levels 10-70, up to 720x576@60fps
- JPEG Baseline interleaved, up to 8176x8176@76 million pixels per second

The features of VDPU381 decoder are listed as follows:

- MMU embedded with MMU interrupt support
- Dual-core decoding support
- H.265 HEVC/MVC Main10 Profile yuv420@L6.1 up to 7680x4320@60fps, max solution up to 65472x65472
- H.264 AVC/MVC Main10 Profile yuv400/yuv420/yuv422/@L6.0 up to 7680x4320@30fps, max solution up to 65520x65520
- VP9 Profile0/2 yuv420@L6.1 up to 7680x4320@60fps, max solution up to 65472x65472
- AVS2 Profile0/2 yuv420@L10.2.6 up to 7680x4320@60fps, max solution up to 16383x16383

The features of VDPU720 decoder are listed as follows:

- Supports JPEG decoding
  - 48x48 to 65536x65536(4295Mpixels), Step size 8 pixels
  - Baseline interleaved, and supports ROI (region of image) decode

The features of VDPU981 decoder are listed as follows:

- MMU embedded with MMU interrupt support
- AV1 Main8/10 Profile yuv420 up to 3840x2160@60fps, max solution up to 7680x4320

The features of VEPU121 encoder are listed as follows:

- MMU embedded with MMU interrupt support
- Supports H264 encoding
- Supports JPEG encoding
  - JPEG: Baseline (DCT sequential)
  - JFIF file format 1.02
  - Non-progressive JPEG
  - Support image size from 96x32 to 8192x8192, step size 4 pixels
  - Up to 90 million pixels per second

The features of VEPU580 are listed as follows:

- HEVC Main Profile, Level 6.0 High Tier

- H.264 High Profile, level 6.0
- Resolution upto 16384x8192
- Bitrate upto 800Mbps with CBR/VBR/FixQP/QPMAP bitrate control
- YUV420 and YUV400 format
- Slice/TILE split
- Block Mapping ROI
- 8-area OSD
- Link table configuration mode
- YUV/RGB video source with crop, rotation and mirror
- Frame Buffer Compression
- MMU Inside

## 5.2 Block Diagram

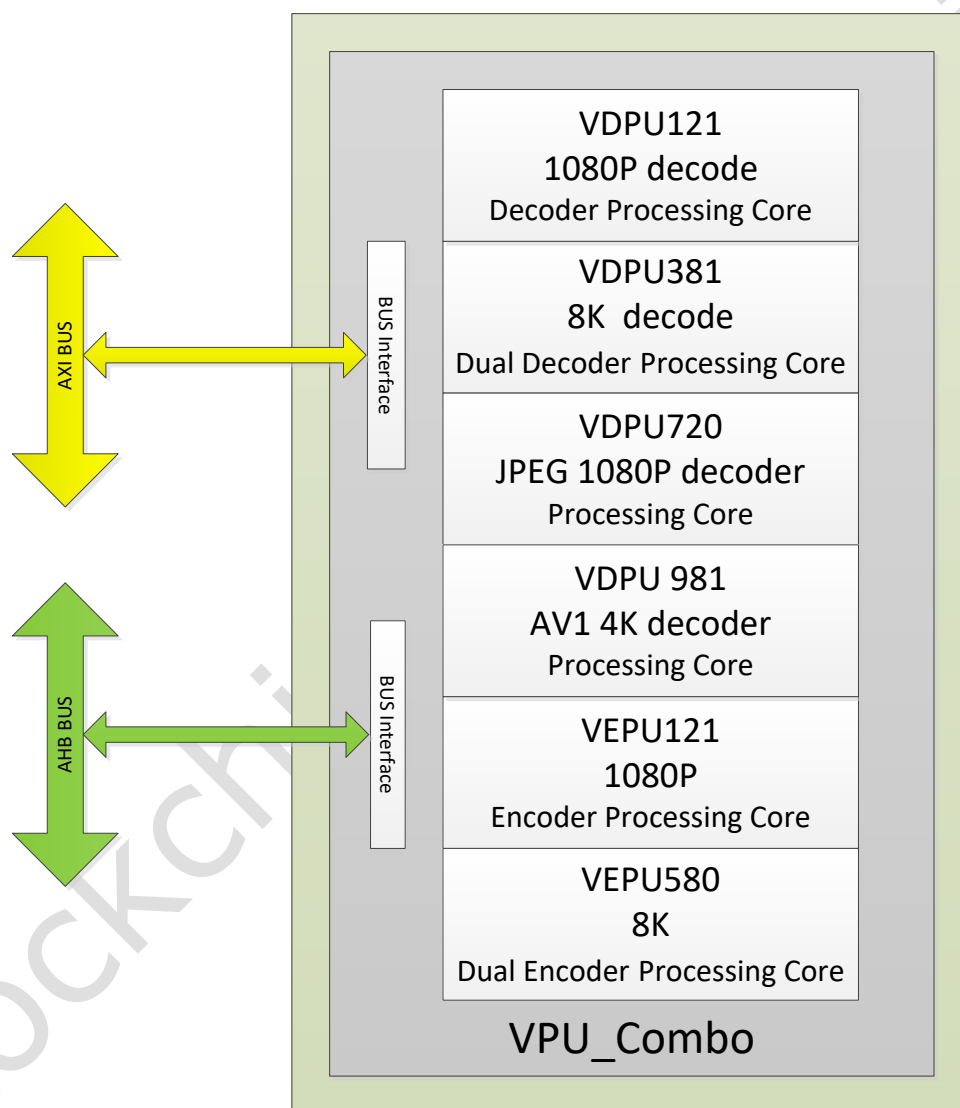


Fig. 5-1 Combo Block Diagram

As shown in the figures above, CPU accesses to the decoder register bank through AHB bus. Bitstream and other necessary data are fed into processing core through AXI read channel, and after several steps of decoding process, decoded pictures and other information data are transferred to designated location in the DDR through AXI write channel.

VDP121 1080P processing core support multi-format decoder, such as mpeg4, h.263 and so on.

VDP381 multi-core decoder: can support h.265/vp9/h.264/AVS2 video standard decoder, support dual-core decoding, max solution is up to 64Kx64K.

VDP720 processing core support jpeg decoder.  
 VDP981 processing core support AV1 decoder.  
 VEP121 1080P processing core support jpeg encoder.  
 VEP580 multi-core encoder processing core can support HEVC/H.264 video encoder, max solution size is 16Kx16K  
 Please note that VDP121 and VDP381 and VDP720 and AV1 and VEP121 and VEP580 is different IP cores, so these processing core can be work together.

### 5.3 Video frame format

This chapter describes different input and output video frame formats supported by VCODEC. Each function module has its own supported video frame formats, and this chapter describes all the video frame formats.

#### 5.3.1 YCbCr 4:2:0 Planar Format

In the planar format, each video sample component forms one memory plane. Within one plane, the data has to be stored linearly and contiguously in the memory as shown in fellows. The luminance samples are stored in raster-scan order (Y0Y1 Y2Y3 Y4....). The chrominance samples are stored in two planes also in raster scan order (Cb0Cb1 Cb2Cb3 Cb4.... and Cr0Cr1 Cr2Cr3 Cr4....). In this format each pixel takes 12 bits of memory.

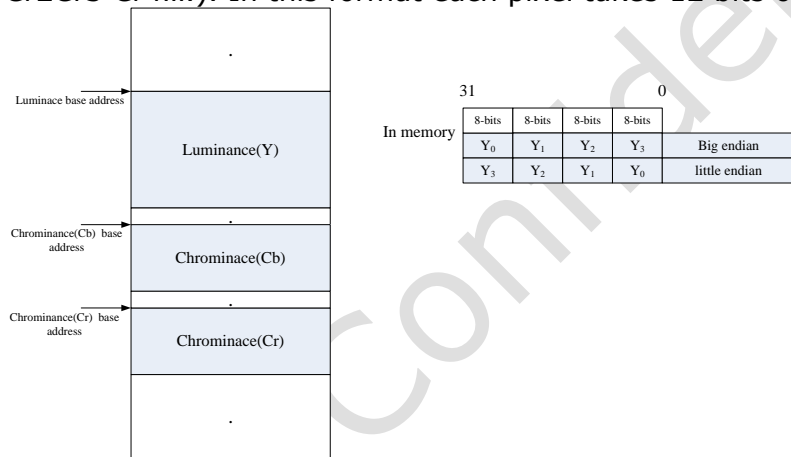


Fig. 5-2 VCODEC YCbCr 4:2:0 planar format

#### 5.3.2 YCbCr 4:2:0 Semi-Planar format

In semi-planar YcbCr4:2:0 format the luminance samples from one plane in memory, and chrominance samples from another. Within one plane, the data has to be stored linearly and contiguously in the memory. The luminance pixels are stored in raster-scan order (Y0Y1 Y2Y3 Y4....). The interleaved chrominance CbCr samples are stored in raster-scan order in memory as Cb0Cr0 Cb1Cr1 Cb2 Cr2 Cb3Cr3 Cb4 Cr4....

Semi-Planar format supports both progressive and interlaced format as presented in Fig. 5-3 VCODEC YCbCr 4:2:0 Semi-planar format

. The interlaced format may be alternative line or each line.



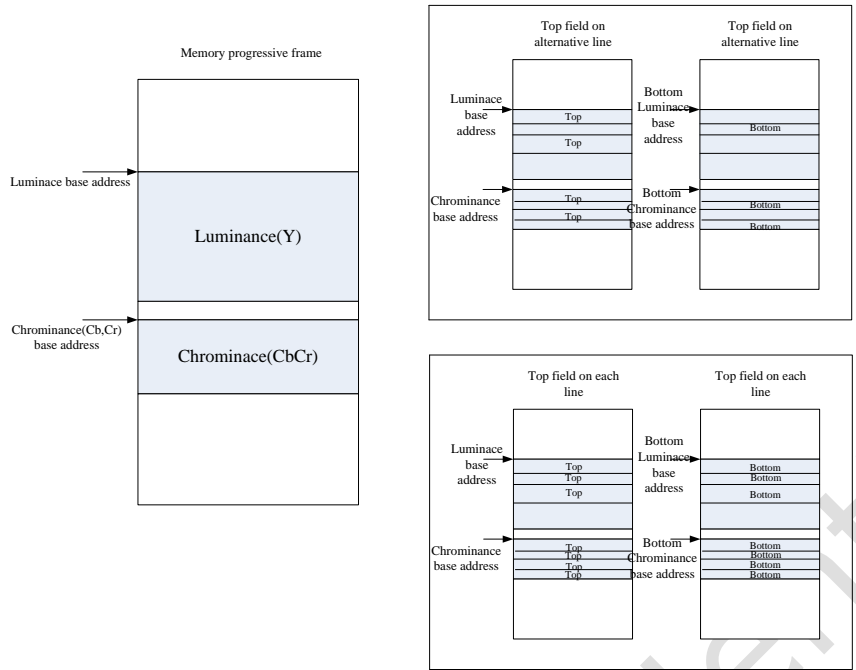


Fig. 5-3 VCODEC YCbCr 4:2:0 Semi-planar format

### 5.3.3 YCbCr 4:2:2 Interleaved Format

In the interleaved YCbCr 4:2:2 format the pixel samples from a single plane in which the data has to be stored linearly and contiguously as shown in Fig. 5-4 VCODEC YCbCr4:2:2 Interleaved format

. The pixel data is in raster scan order and the chrominance samples are interleaved between the luminance samples as Y0Cb0 Y1Cr0 Y2 Cb1 Y3Cr1 Y4 Cb2.... YCrCb, CbYCrY and CrYCbY component orders are supported also. In this format, each pixel takes 16 bits in the memory.

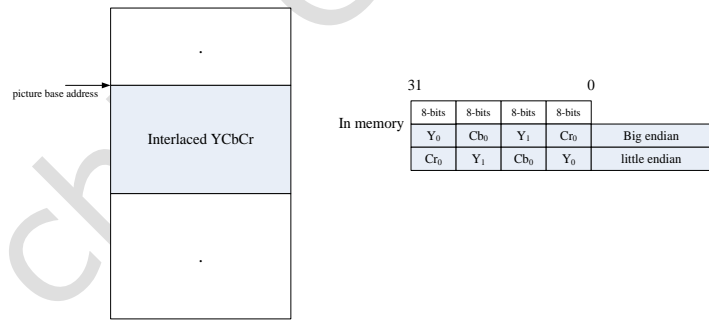


Fig. 5-4 VCODEC YCbCr4:2:2 Interleaved format

### 5.3.4 AYCbCr 4:4:4 Interleaved Format

In the interleaved YcbCr 4:2:2 format, the pixel samples from a single plane in which the data has to be stored linearly and contiguously as show in Fig. 5-5 VCODEC AYCbCr 4:4:4 Interleaved format

. The pixel data is in raster scan order and the chrominance and alpha channel samples are interleaved between the luminance samples as A0Y0 Cb0Cr0 A1 Y1 Cb1Cr1....

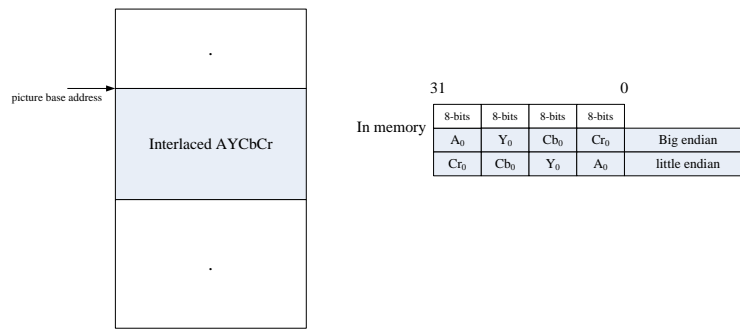


Fig. 5-5 VCODEC AYCbCr 4:4:4 Interleaved format

### 5.3.5 YCbCr Tiled Semi-Planar Format

Like the YUV semi-planar format, the tiled semi-planar format is also organized in the memory on two separate planes. The difference between these formats is that in tiled format the pixel samples are not anymore in raster-scan order but are stored macroblock (16x16 pixels or 8x8 pixels) by macroblock. The samples of each macroblock are stored in consecutive addresses and the macroblocks are ordered from left to right and from top to down as Fig. 5-6 VCODEC Tile scan mode

. When this format used as input data format, it causes the lowest bus load to the system as there is minimal amount of non-sequential memory addressing required when reading the input data to the post-processor.

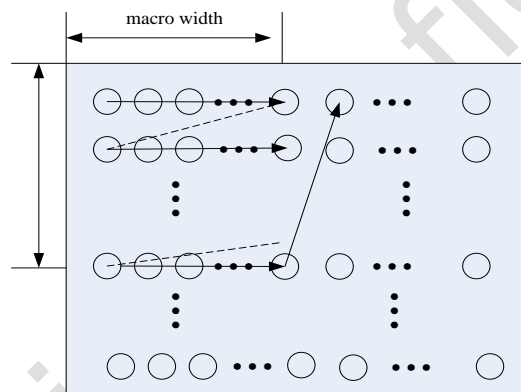


Fig. 5-6 VCODEC Tile scan mode

### 5.3.6 RGB 16bpp Format

In this format each pixel is represented by 16 or less bits containing the red, blue and green samples. There are several 16bpp formats which use different number of bits for each sample. For example the RGB 5-5-5 format uses 5 bits for each sample and 1 bit is left unused or can represent a transparency flag, where RGB 5-6-5 uses 6 bits for the G sample and 5 bits for R and B samples. Common for all 16bpp types is that two pixels fit into one 32-bit space.

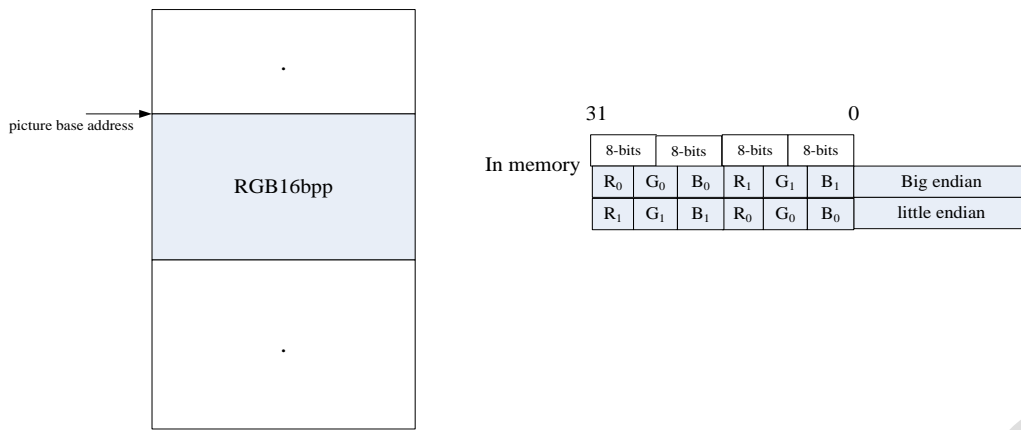


Fig. 5-7 VCODEC RGB 16bpp format

### 5.3.7 RGB 32bpp Format

Any RGB format that has its pixels represented by more than 16bits each is considered to be of 32bpp type. Typically in this format each pixel is represented by three bytes containing a red, blue and green sample and a 4th byte which can be empty or hold an alpha blending value. Common for all 32bpp types is that only one pixel fit into one 32-bit space. The data has to be stored linearly and contiguously in the memory.

### 5.3.8 Frame Buffer Compress (FBC) Format

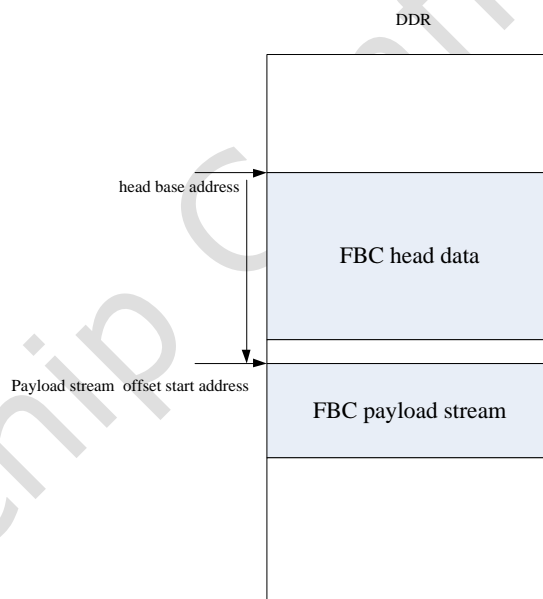


Fig. 5-8 FBC output format

As shown in the figures above, FBC output format include FBC head data and FBC payload stream. Every 16x16 block used one FBC head, every FBC head will take up 128bit ddr space, FBC HEAD is raster store and can support virtual stride. The payload stream use compact mode, and the maximum ddr space which be required is equal to uncompress picture size.

## 5.4 Function Description

### 5.4.1 MMU

The MMU divides memory into 4KB pages, where each page can be individually configured. For each page the following parameters are specified:

- Address translation of virtual memory, this enables the processor to work using address that differ from the physical address in the memory system.

- The permitted types of accesses to that page. Each page can permit read, write, both, or none.

The MMU use 2-level page table structure:

1. The first level, the page directory consists of 1024 directory table entries(DTEs), each pointing to a page table.
2. The second level, the page table consists of 1024 page table entries(PTEs), each pointing to a page in memory.

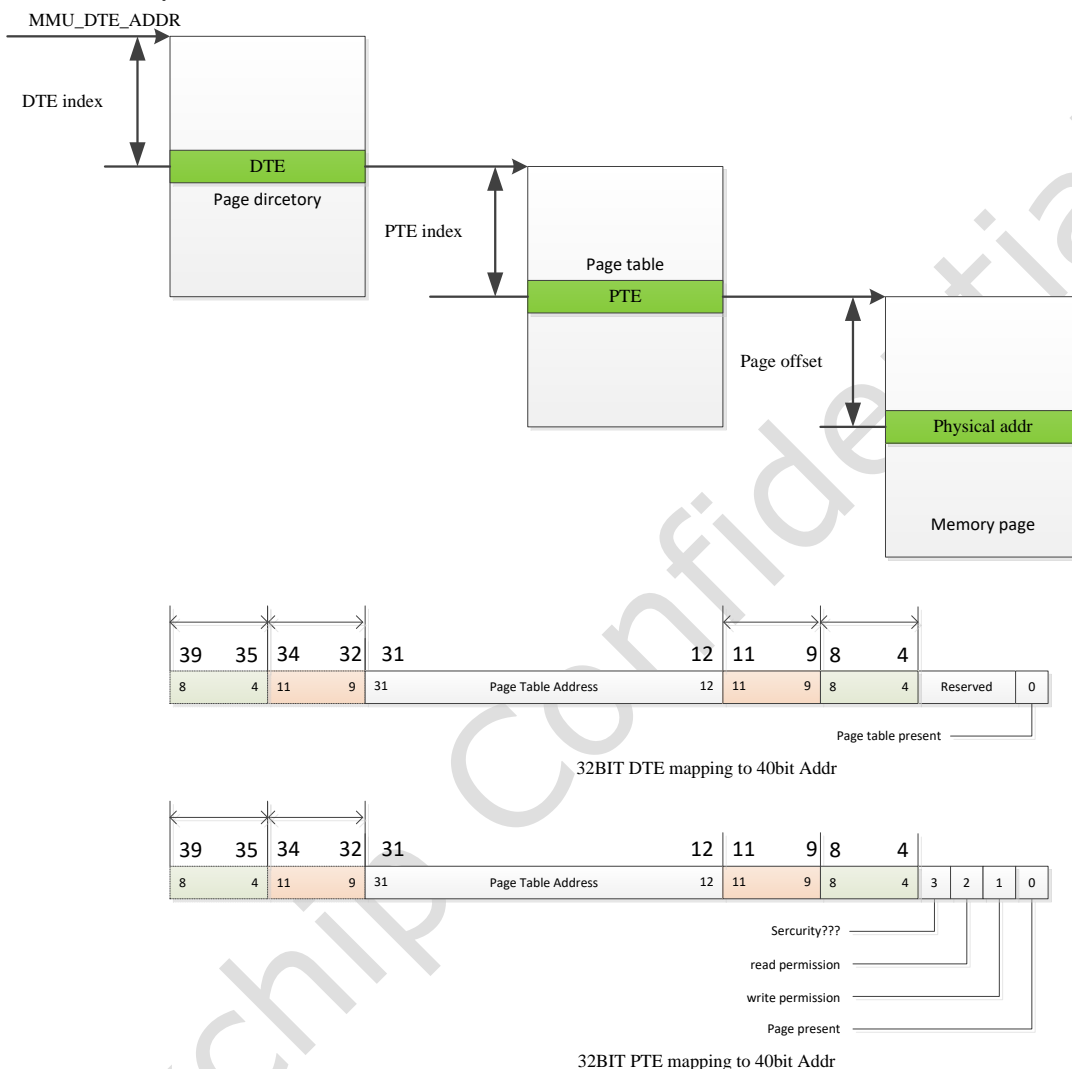


Fig. 5-9 Structure of two-level page table

### 5.4.2 VDP121 feature supported

#### 1. MPEG-4 decoder

The features that video decoder supports about MPEG-4/H.263 shows as below Table 5-1 MPEG-4/H.263 feature

Table 5-1 MPEG-4/H.263 feature

Feature	Decoder support
Input data format	MPEG-4/H.263 elementary video stream
Decoding scheme	Frame by frame(or field by field) Video packet by video packet
Output data format	YCbCr 4:2:0 semi-planar
Supported image size	48x48 to 1920x1088(MPEG-4) 48x48 to 720x576(H.263)

<b>Feature</b>	<b>Decoder support</b>
	Step size 16 pixels
Maximum frame rate	60fps at 1920x1088
Maximum bit rate	As specified by MPEG-4 ASP level5
Error detection and concealment	Supported

The decoder of MPEG-4/H.263 has two operating modes: in the primary mode the HW performs entropy decoding, and in the secondary mode SW performs entropy decoding. Secondary mode is used in MPEG-4 data partitioned stream decoding.

**2. MPEG-2/MPEG-1 decoder**

The features of MPEG-2/MPEG-1 supported by decoder are shown as Table 5-2 MPEG-2/MPEG-1 features

Table 5-2 MPEG-2/MPEG-1 features

<b>Feature</b>	<b>Decoder support</b>
Input data format	MPEG-2/MPEG-1 elementary video stream
Decoding scheme	Frame by frame(or field by field) Video packet by video packet
Output data format	YCbCr 4:2:0 semi-planar
Supported image size	48x48 to 1920x1088 Step size 16 pixels
Maximum frame rate	60fps at 1920x1088
Maximum bit rate	As specified by MPEG-2 MP high level
Error detection and concealment	Supported

The dataflow of MPEG-2/MPEG-1 is the same of H.264 HW performs entropy decoding as 错误!未找到引用源。 .

**5.4.3 VDP381 feature supported**

**1. H265/MVC**

Table 5-3 Video H.265 decoder features

<b>Feature</b>	<b>Decoder support</b>
Input data format	H265 byte unit stream/MVC stream
Decoding scheme	Frame by frame
Output data format	YCbCr 4:2:0 Semi-Planar FBC output format YCbCr Tiled Semi-Planar(Scale Down work mode)
Supported image size	64x64 to 65472x65472 step size 16pixels
Profile/level	Main Main10 level 6.1
Maximum frame rate	YCbCr 4:2:0 60fps @7680x4320
Maximum bit rate	2133MBPS
Other feature	Dual core decoder Error detection and concealment Linked List Pointer mode Colmv compress Scale Down work mode Qos mode W2DDR buffer performance statistics and analysis

2. H264/MVC

Table 5-4 Video H.264 decoder features

<b>Feature</b>	<b>Decoder support</b>
Input data format	H264byte or NAL unit stream/SVC stream/MVC stream
Decoding scheme	Frame by frame(or field by field) Slice by slice
Output data format	YCbCr 4:0:0 (monochrome) YCbCr 4:2:0 semi-planar raster-scan YCbCr 4:2:2 semi-planar raster-scan FBC output format YCbCr Tiled Semi-Planar(Scale Down work mode)
Supported image size	16x16 to 65520x65520 step size 16 pixels
Profile and Level	Main Main10 level 6.0
Maximum frame rate	30fps @7680x4320
Maximum bit rate	more than 1600MBPS
Other feature	Dual core decoder Error detection and concealment Linked List Pointer mode Colmv compress Scale Down work mode Qos mode W2DDR buffer performance statistics and analysis

3. VP9

Table 5-5 Video vp9 decoder features

<b>Feature</b>	<b>Decoder support</b>
Input data format	VP9 byte unit stream
Decoding scheme	Frame by frame
Output data format	YCbCr 4:2:0 Semi-Planar FBC output format YCbCr Tiled Semi-Planar(Scale Down work mode)
Supported image size	64x64 to 4096x2304 step size 16pixels
Profile/level	Profile0 Profile2 level 6.1
Maximum frame rate	60fps @7680x4320
Maximum bit rate	more than 1600MBPS
Other feature	Dual core decoder Linked List Pointer mode Colmv compress Scale Down work mode Qos mode W2DDR buffer performance statistics and analysis

4. AVS2

Table 5-6 Video AVS2 decoder features

<b>Feature</b>	<b>Decoder support</b>
Input data format	AVS2 stream
Decoding scheme	Frame by frame
Output data format	YCbCr 4:2:0 semi-planar raster-scan FBC output format
Supported image size	64x64 to 16383x16383

<b>Feature</b>	<b>Decoder support</b>
Profile/level	Main profile Main 10bit profile Level 10.2.60
Maximum frame rate	60fps @7680x4320
Maximum bit rate	more than 1600MBPS
Other feature	Dual core decoder Error detection and concealment Linked List Pointer mode Colmv compress Scale Down work mode Qos mode W2DDR buffer performance statistics and analysis

**5.4.4 VDPU381 DDR buf size requirements**

**5.4.4.1 VDPU381 Input Buffer Size Requested**

(1).H265 Unique input data

Table 5-7 Video H.265 decoder Unique input data

<b>buffer name</b>	<b>buffer size</b>
MMU_table	Determined according to whether the MMU is turned on and the actual space of the MMU table
PPS+SPS	7x128bit
RPS	32x128bit
Cabac table	11x128bit
Scanlist	84x128bit
Stream_in	According to the actual situation
dpb_frame	According to the reference frame size, max reference frame num is 16

1-2.H264 Unique input data

Table 5-8 Video H.264 decoder Unique input data

<b>buffer name</b>	<b>buffer size</b>
MMU_table	Determined according to whether the MMU is turned on and the actual space of the MMU table
PPS	3x128bit
RPS	8x128bit
Cabac table	58x128bit
Scanlist	13x128bit
Stream_in	According to the actual situation
dpb_frame	According to the reference frame size, max reference frame num is 16

1-3.VP9 Unique input data

Table 5-9 Video VP9 decoder Unique input data

<b>buffer name</b>	<b>buffer size</b>
MMU_table	Determined according to whether the MMU is turned on and the actual space of the MMU table
segid	$((pic\_width \times pic\_height) / (8 \times 8)) \times 3bit$
prob_intra	165x128bit
prob_inter	172x128bit
cabac_table	368Byte
stream_in	According to the actual situation
dbp_frame	According to the reference frame size, max reference frame num is 3

1-4.AVS2 Unique input data

Table 5-10 Video AVS2 decoder Unique input data

buffer name	buffer size
MMU_table	Determined according to whether the MMU is turned on and the actual space of the MMU table
PPS data	11x128bit
Scanlist	
stream_in	According to the actual situation
dbp_frame	According to the reference frame size, max reference frame num is 7

2. Config Register Linked List Pointer mode(LLP mode)

VDP346 Video decoder support link table mode to improve decoder continuity and reduce CPU participate and interrupt response time. In this mode, the register which used for config will be prepare into DDR, after that user enable link table mode, and then our decoder will fetch the register config information through AXI bus frame by frame. On link table mode, the decoder will auto finish all the frame decoder which be prepared in DDR, and not need CPU participate.

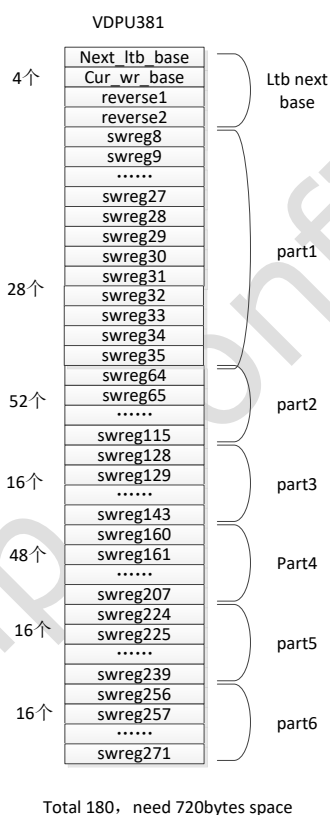


Fig. 5-10 Link table register prepare in DDR format

As show in the above Fig, Link table register prepare in DDR format, each frame config information need 720bytes in DDR. When Link table register work mode be activated, MMU should be config in first, and then parpare register to ddr, at last to config LLP ctrl register to start decoder.

For LLP work mode, LLP register buffer will be required. Every frame will require 512 byte DDR space. Then, buffer size calculate formula be defined as follows:

$$LLP\_register\_buffer\_size = frame\_num * 720 \text{ byte}$$

After hardware decoder one frame, will write back some information to DDR where the write back base address is current config storage addr base. All the write back information are listed in the follows table.



Table 5-11 Link table write back register

<b>offset</b>	<b>Description</b>
0x0	swreg224_sta_int
0x4	swreg225_sta_err_info
0x8	swreg226_sta_cabac_error_status
0xc	swreg227_sta_colmv_error_ref_picidx
0x10	swreg228_sta_cabac_error_ctu_offset
0x14	swreg229_sta_saowr_ctu_offset
0x18	swreg230_sta_slice_dec_num
0x1c	swreg231_sta_frame_error_ctu_num
0x20	swreg232_sta_error_packet_num
0x24	swreg233_sta_err_ctu_num_in_ro
0x28	swreg258_debug_perf_rd_max_latency_num
0x2c	swreg259_perf_rd_latency_samp_num
0x30	swreg260_debug_perf_rd_latency_acc_sum
0x34	swreg261_debug_perf_rd_axi_total_byte
0x38	swreg262_debug_perf_wr_axi_total_byte
0x3c	swreg263_debug_perf_working_cnt
0x40	assign info_data0[31:0] = {8'h0,dec_sw_ctu_num[23:0]};
0x44	assign info_data1[31:0] = inter_sw_reflst_idx_use[31:0];
0x48	assign info_data2[31:0] = {12'h0,inter_sw_pu_cnt_sum[19:0]};
0x4c	assign info_data3[31:0] = {inter_sw_mv_y_min_out[15:0],inter_sw_mv_x_min_out[15:0]};
0x50	assign info_data4[31:0] =

<b>offset</b>	<b>Description</b>
	{inter_sw_mv_y_max_out[15:0],inter_sw_mv_x_max_out[15:0]};
0x54	assign info_data5[31:0] = inter_sw_mv_x_out_sum[31:0];
0x58	assign info_data6[31:0] = inter_sw_mv_y_out_sum[31:0];
0x5c	assign info_data7[31:0] = inter_sw_mv_x_out_abs_sum[31:0];
0x60	assign info_data8[31:0] = inter_sw_mv_y_out_abs_sum[31:0];
0x64	assign info_data9[31:0] = {(40-MV_BIT_WIDTH){1'b0}},inter_sw_mv_y_out_abs_sum[MV_BIT_WIDTH-1:32], {(40-MV_BIT_WIDTH){1'b0}},inter_sw_mv_x_out_abs_sum[MV_BIT_WIDTH-1:32], {(40-MV_BIT_WIDTH){inter_sw_mv_y_out_sum[MV_BIT_WIDTH-1]}},inter_sw_mv_y_out_sum[MV_BIT_WIDTH-1:32], {(40-MV_BIT_WIDTH){inter_sw_mv_x_out_sum[MV_BIT_WIDTH-1]}},inter_sw_mv_x_out_sum[MV_BIT_WIDTH-1:32]};
0x68	assign info_data10[31:0] = {16'h0,cu8x8_skip_num[15:0]};
0x6c	assign info_data11[31:0] = {(32-TU_SKIP_SUM_WIDTH){1'b0}},tu_skip_sum[TU_SKIP_SUM_WIDTH-1:0]};
0x70	assign info_data12[31:0] = {8'b0,1'b0,cr_qp_max[6:0],1'b0,cb_qp_max[6:0],1'b0,luma_qp_max[6:0]};
0x74	assign info_data13[31:0] = {8'b0,1'b0,cr_qp_min[6:0],1'b0,cb_qp_min[6:0],1'b0,luma_qp_min[6:0]};
0x78	assign info_data14[31:0] = {(32-QP_SUM_WIDTH){1'b0}},luma_qp_sum[QP_SUM_WIDTH-1:0]};
0x7c	assign info_data15[31:0] = {(32-QP_SUM_WIDTH){1'b0}},cb_qp_sum[QP_SUM_WIDTH-1:0]};
0x80	assign info_data16[31:0] =

offset	Description
	{{(32-QP_SUM_WIDTH){1'b0}},cr_qp_sum[QP_SUM_WIDTH-1:0]};
0x84	assign info_data17[31:0] = {12'd0,inter_sw_mv_x_pu_cnt_sum[19:0]};
0x88	assign info_data18[31:0] = {12'd0,inter_sw_mv_y_pu_cnt_sum[19:0]};
0x8c	swreg274_sta_pix_range_y
0x90	swreg275_sta_pix_range_u
0x94	swreg276_sta_pix_range_v

The base address of config link table mode is RKVDEC\_BASE+0x100.

#### 5.4.4.2 VDP U381 Output Buffer Size Requested

We define variables  $\text{ceilM}(N)$  as follows:

$$\text{ceil}(M,N)=\text{ceil}M(N)=((N+M-1)/M)*M$$

(1). Output frame decoder buffer size

If output select YCbCr 4:2:0 semi-planar raster-scan format, you can use follows formula to calculate the decoder frame buffer size.

$$\text{luma\_frame\_buffer\_size} = \text{y\_vir\_hor\_stride} * \text{pic\_h} * \text{bit\_depth\_y} / 8$$

$$\text{chroma\_frame\_buffer\_size} = \text{uv\_vir\_hor\_stride} * (\text{pic\_h} / 2) * \text{bit\_depth\_c} / 8$$

$$\text{frame\_buffer\_size} = \text{luma\_frame\_buffer\_size} + \text{chroma\_frame\_buffer\_size}$$

There:

- $\text{y\_vir\_hor\_stride}$ : The virtual stride of luma, it must should more bigger than picture width
- $\text{uv\_vir\_hor\_stride}$ : The virtual stride of chroma, it must should more big than picture width for YCbCr 4:2:0
- $\text{bit\_depth\_y/c}$ : Main10 or main, its value will be 10 or 8

Second, if FBC format be selected, you can use follows formula to calculate the decoder frame buffer size.

$$\text{fbc\_head\_buffer\_size} = \text{vir\_hor\_fbc\_head} * (\text{ceil}64(\text{pic\_h}) + 16) / 16$$

$$\text{payload\_buffer\_size} = \text{ceil}64(\text{pic\_w}) * (\text{ceil}64(\text{pic\_h}) + 16) * \text{pixel\_byte\_num}$$

$$\text{max\_fbc\_buffer\_size} = \text{fbc\_head\_buffer\_size} + \text{payload\_buffer\_size}$$

There:

- $\text{vir\_hor\_fbc\_head}$ : the horizontal virtual stride of fbc head, its valud should more bigger than  $\text{ceil}64(\text{pic\_w}) / 16$ .
- $\text{pixel\_byte\_num}$ : yuv400 and yuv444 is  $3 \times \text{bitdepth} / 8$ ; yuv420 is  $1.5 \times \text{bitdepth} / 8$ ; yuv422 is  $2 \times \text{bitdepth} / 8$

But payload real buffer size space used will less than  $\text{payload\_buffer\_size}$ , it will according to FBC compress rate.

(2). Output frame colmv buffer size

If colmv compress be disabled, you can use follows formula to calculate the decoder frame buffer size.

Table 5-12 Colmv uncompress info

Format	Colmv_size	Colmv space(bytes unit)
h264	4x4	8
hevc	16x16	16
vp9	8x8	16
avs2	16x16	8

So, the colmv uncompress size is:

$$colmv\_buffer\_size0 = (ceil64(pic\_w) * ceil64(pic\_h) / (colmv\_size * colmv\_size)) * colmv\_bytes$$

The buffer size unit is byte unit.

If colmv compress be active, you can use follows formula to calculate the decoder frame buffer size.

$$segment\_w = (64 * colmv\_size * colmv\_size) / ctu\_size$$

$$segment\_h = ctu\_size$$

$$pic\_w\_align = ceil(pic\_w, segment\_w)$$

$$pic\_h\_align = ceil(pic\_h, segment\_h)$$

$$seg\_cnt\_w = pic\_w\_align / segment\_w$$

$$seg\_cnt\_h = pic\_h\_align / segment\_h$$

$$segment\_head\_line\_size = ceil(seg\_cnt\_w, 16)$$

$$seg\_head\_size = segment\_head\_line\_size * seg\_cnt\_h$$

$$seg\_payload\_size = seg\_cnt\_w * seg\_cnt\_h * 64 * colmv\_bytes$$

$$colmv\_compress\_size = seg\_head\_size + seg\_payload\_size$$

where:

- *ctu\_size*: ctu size;
- *colmv\_size*: the block size for each colmv
- *colmv\_bytes*: each colmv space used

(3). Error info buffer size

If error information be enable write to DDR, the error info buffer size will be required, and we can use the follows formula to calculate the error info buffer size.

$$error\_info\_buffer\_size = ceil2(slice\_num) * 8$$

only h264 and h265 support error info output.

**5.4.4.3 VDP431 Decoder temporary Buffer Size Requested**

The temporary buffer only used when VDP431 on working status. The data write to temporary buffer size is row and col buffer data, we suggest row buffer used internal sram buffer will enhance the decoder performance.

Row buffer and Col buffer size require are listed as follows.

Table 5-13 Row or Col buffer size required

data type	required condtion	buffer size
STRMD Row	H.265/H.264/VP9/AVS2	3*pic_width
Inter Row	H.265/H.264/VP9/AVS2	6*pic_width
Inter Col	H.265/H.264/VP9/AVS2	3*pic_height
Transd Row	H.265/H.264/VP9/AVS2	0.4* pic_width
Transd col	H.265/H.264/VP9/AVS2	0.1* pic_height
Recon Row	H.265/H.264/VP9/AVS2	6*pic_width
Dblk Row	H.265/H.264/VP9/AVS2	22*pic_width
Sao Row	H.265/H.264/VP9/AVS2	6*pic_width
FBC Row	H.265/H.264/VP9/AVS2	11*pic_width
Filterd Col	H.265/VP9, have col tile	67* pic_height

**5.4.5 VDP720 feature supported**

1. JPEG Decoder

JPEG features supported by decoder are as shown in 错误!未找到引用源。.

Table 5-14 JPEG features

Feature	Decoder support
Input data format	JFIF file format 1.02 YCbCr 4:0:0, 4:2:0, 4:2:2, 4:4:0, 4:1:1 and 4:4:4 semi-planar
Decoding scheme	frame by frame
Output data format	YCbCr 4:0:0, 4:2:0, 4:2:2, 4:4:0, 4:1:1 and 4:4:4 semi-planar
Supported image size	48x48 to 65536x65536(4295Mpixels)

Feature	Decoder support
	Step size 8 pixels
Maximum frame rate	Up to 560 million pixels per second
Thumbnail decoding	JPEG compressed thumbnails supported
Restart marker frequency decoding	Supported
MJPEG	Supported
Error detection	Supported

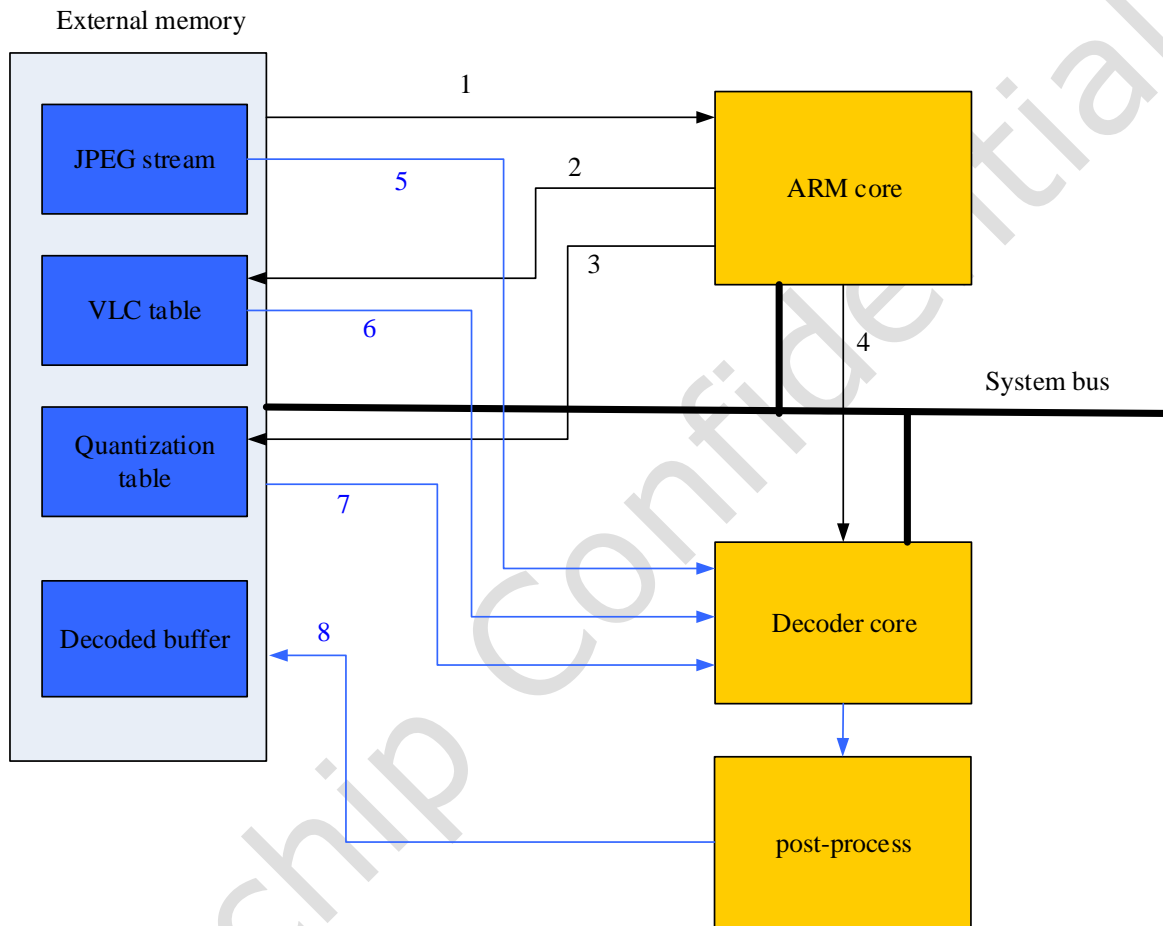


Fig. 5-11 The dataflow of JPEG decoder and post-processor

The data flow of jpeg decoder is as Fig. 5-11 The dataflow of JPEG decoder and post-processor

shown. The decoder software starts decoding the picture by parsing the stream headers (1) and then writes the following items to external memory:

VLC tables (2)

Quantization tables (3)

Last step for the software is to write the hardware control registers and to enable the hardware (4). After starting hardware, SW waits interrupt from HW.

Hardware decodes the picture by reading stream (5), VLC (6) and QP (7) tables. Hardware writes the decoded output picture memory one macroblock at a time (8). When the picture has been fully decoded, or the hardware has run out of stream data, it gives an interrupt with a proper status flag and provides stream end address for software to continue and returns to initial state.

The follow image post-processor only support combined mode.

## 2. Image Post-processor

The features supported by Post-processor are as show in 错误!未找到引用源。 .

Table 5-15 Post-processor features

<b>Feature</b>	<b>Post-processor support</b>
Input data format	Any format generated by the decoder in combined mode YCbCr 4:2:0 semi-planar YCbCr 4:2:0 planar YCbYCr 4:2:2 YCrYCb 4:2:2 CbYCrY 4:2:2 CrYCbY 4:2:2
Post-processor scheme	Frame by frame. Post-processor handles the image macroblock by macroblock.
Input image source	Internal source
Output data format	YCbCr 4:2:0 semi-planar YCbCr 4:2:2 YCrYCb 4:2:2 CbYCrY 4:2:2 CrYCbY 4:2:2 Fully configurable RGB channel lengths and locations inside 24 bits, e.g. RGB 24-bit (8-8-8), RGB 16-bit(5-6-5).
Input image size	48x48 to 65536x65536 Step size 8 pixels
Output image size	16x16 to 65536x65536 Horizontal step size 1 Vertical step size 1
Image down-scaling	Proprietary averaging filter Arbitrary, integer scaling ratio separately for both dimensions 0/2/4/8 down-scaling ratio
YCbCr to RGB color conversion	BT.601 compliant BT.709 compliant User definable conversion coefficient
Dithering	2x2 ordered spatial dithering for 4, 5 and 6 bit RGB channel precision
Output picture	support raster or tile mode picture out luma 8x8 block tile

In pipe-line mode, the post-processor works together with the multi-format decoder. The PP will take its input directly from the decoder. The dataflow is as Fig. 5-12 Post-process Dataflow show.

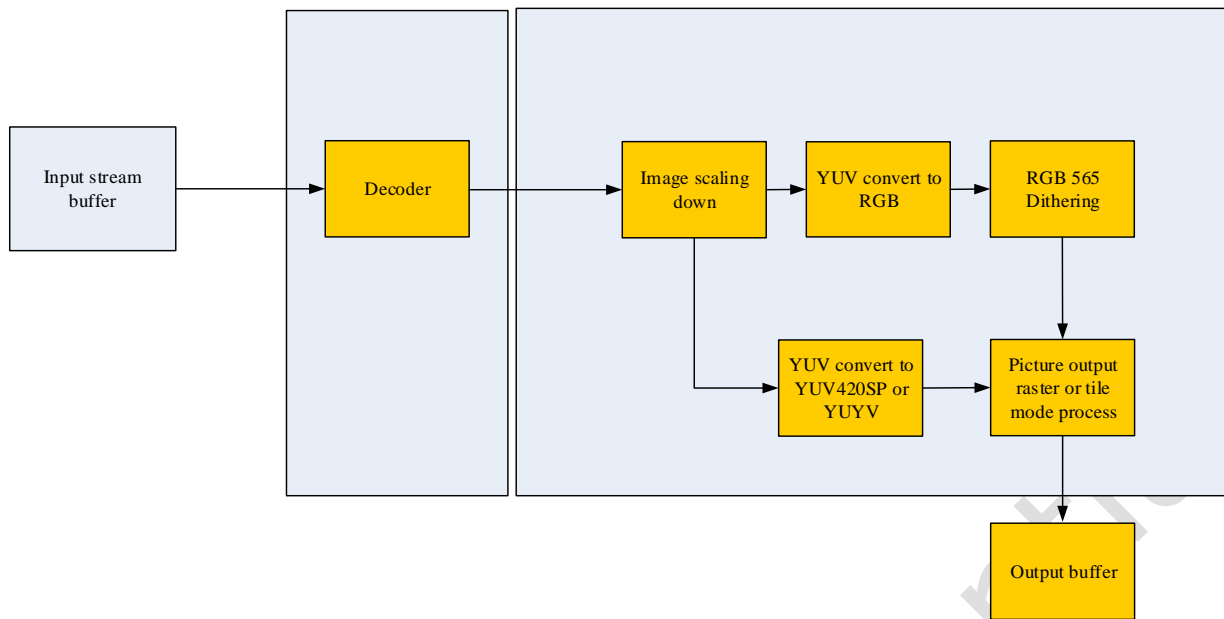


Fig. 5-12 Post-process Dataflow

### 5.4.6 VDPU981 feature supported

#### 1.AV1

Table 5-16 Video H.265 decoder features

Feature	Decoder support
Input data format	AV1 byte unit stream
Decoding scheme	Frame by frame
Output data format	YCbCr 4:2:0 Semi-Planar FBC output format YCbCr Tiled Semi-Planar
Supported image size	64x64 to 7680x4320 step size 16pixels
Profile/level	Main Main10 level 6.0
Maximum frame rate	YCbCr 4:2:0 60fps @3840x2160
Maximum bit rate	240MBPS

### 5.4.7 VEPU121 feature supported

#### 1. JPEG encoder

The JPEG features supported by encoder are shown as follows.

Table 5-17 Video Jpeg encoder feature

Feature	Encoder support
Input data format	YCbCr formats: YCbCr 4:2:0 planar YCbCr 4:2:0 semi-planar YCbYCr 4:2:2① CbYCrY 4:2:2 Interleaved① RGB formats:① RGB444 to BGR444 RGB555 to BGR555 RGB565 to BGR565 RGB888 to BRG888 RGB101010 and BRG 101010
Output data format	JFIF FILE format 1.02 Non-progressive JPEG
Supported image size	96x96 to 8192x8192(64 million pixels)

Feature	Encoder support
	Step size 4 pixels
Maximum Data rate	Up to 90 million pixels per second

①internally encoder handles image only in 4:2:0 format

### 5.4.8 VEPU580 feature supported

Table 5-18 HEVC and H.264 encoder feature

Feature	Decoder support
Input data format	YCbCr formats: YCbCr 4:2:0 planar YCbCr 4:2:0 semi-planar YCbYCr 4:2:2 CbYCrY 4:2:2 Interleaved Frame Buffer Compression RGB formats: RGB888 ARGB8888
Decoding scheme	Frame by frame
Output data format	HEVC and H.264 Bit Stream
Supported image size	64x64 to 16384x8192
Maximum bit rate	800Mbps

## 5.5 Register Description

### 5.5.1 Internal Address Mapping

This section describes the control/status registers of the codec.

If VDPU121 decoder is chosen to work, the register base address is VDPU121\_base.

If VDPU381 ccu is chosen to work, the register base address is VDPU381\_CCU\_base.

If VDPU381 core0 is chosen to work, the register base address is VDPU381\_core0\_base.

If VDPU381 core1 is chosen to work, the register base address is VDPU381\_core1\_base.

If VDPU720 decoder is chosen to work, the register base address is VDPU720\_base.

If VDPU981 decoder is chosen to work, the register base address is VDPU981\_base.

If VEPU121 core0 is chosen to work, the register base address is VEPU121\_core0\_base.

If VEPU121 core1 is chosen to work, the register base address is VEPU121\_core1\_base.

If VEPU121 core2 is chosen to work, the register base address is VEPU121\_core2\_base.

If VEPU121 core3 is chosen to work, the register base address is VEPU121\_core3\_base.

If VEPU121 core4 is chosen to work, the register base address is VEPU121\_core4\_base.

If VEPU580 core0 is chosen to work, the register base address is VEPU580\_core0\_base.

If VEPU580 core1 is chosen to work, the register base address is VEPU580\_core1\_base.

All the register config base are listed as follows:

Table 5-19 Base address of config

Config Register	Base addr
VDPU121 function config base	VDPU121_base
VDPU121 mmu config base	VDPU121_base+0x400
VDPU121 cache config base	VDPU121_base+0xC00
VDPU381 core0/1 link table config base	VDPU381_core0/1_base+0x000
VDPU381 core0/1 function config base	VDPU381_core0/1_base+0x100
VDPU381 core0/1 cache config base	VDPU381_core0/1_base+0x600 for Y channel VDPU381_core0/1_base+0x640 for C channel VDPU381_core0/1_base+0x680 for head channel
VDPU381 core0/1 mmu config base	VDPU381_core0/1_base0/1+0x700 for rd channel VDPU381_core0/1_base0/1+0x740 for wr channel
VDPU720 function config base	VDPU720_base0/1
VDPU720 mmu config base	VDPU720_base0/1+0x480



<b>Config Register</b>	<b>Base addr</b>
VDPU720 link table config base	VDPU720_base0/1+0x300
VDPU981 VCD base	VDPU981_base
VDPU981 L2CACHE base	VDPU981_base + 0x10000
VDPU981 AFBC base	VDPU981_base + 0x20000
VDPU981 MMU base	VDPU981_base + 0x30000
VEPU121 core0/1/2/3/4 function config base	VEPU121_core0/1/2/3/4_base
VEPU121 mmu config base	VEPU121_core0/1/2/3/4_base +0x800
VEPU580 function config base	VEPU580_core0/1_base

Table 29-15 Base address value

<b>Base addr</b>	<b>value</b>
VDPU121_base	0xFDB5_0400
VDPU381_CCU_base	0xFDC3_0000
VDPU381_core0_base	0xFDC3_8000
VDPU381_core1_base	0xFDC4_0000
VDPU720_base	0xFDB9_0000
VDPU981_base	0xFDC7_0000
VEPU121_core0_base	0xFDB5_0000
VEPU121_core1_base	0xFDBA_0000
VEPU121_core2_base	0xFDBA_4000
VEPU121_core3_base	0xFDBA_8000
VEPU121_core4_base	0xFDBA_C000
VEPU580_core0_base	0xFDBD_0000
VEPU580_core1_base	0xFDBE_0000

### 5.5.2 VDPU121 Registers Summary

<b>Name</b>	<b>Offset</b>	<b>Size</b>	<b>Reset Value</b>	<b>Description</b>
<u>VDPU_SWREG0_NEW_VERSION</u>	0x0000	W	0x03680000	ID register(read only)when vpu share memory with hevc, this register is not be used.
<u>VDPU_SWREG0</u>	0x0000	W	0x00000000	Version
<u>VDPU_SWREG1</u>	0x0004	W	0x00000000	Interrupt register decoder
<u>VDPU_SWREG2</u>	0x0008	W	0x01000400	Device configuration register decoder
<u>VDPU_SWREG3</u>	0x000c	W	0x00000001	Device control register 0 (decode, picture type etc)
<u>VDPU_SWREG4_H264</u>	0x0010	W	0x00000000	Decoder control register 1 (picture parameters)
<u>VDPU_SWREG4</u>	0x0010	W	0x00000000	Decoder control register 1(picture parameters)
<u>VDPU_SWREG5</u>	0x0014	W	0x00000000	Decoder control register2 (stream decoding table selects)

<b>Name</b>	<b>Offset</b>	<b>Size</b>	<b>Reset Value</b>	<b>Description</b>
<u>VDPU_SWREG5_H264</u>	0x0014	W	0x00000000	Decoder control register2 (stream decoding table selects)
<u>VDPU_SWREG6</u>	0x0018	W	0x00000000	Decoder control register 3 (stream buffer information)
<u>VDPU_SWREG7</u>	0x001c	W	0x00000000	Decoder control register 4 (H264, VC-1 control )
<u>VDPU_SWREG8</u>	0x0020	W	0x00000000	Decoder control register 5(H264, VC-1 control)
<u>VDPU_SWREG9</u>	0x0024	W	0x00000000	Base address for MB-control (RLC)/VC-1 intensity control 0.
<u>VDPU_SREG10_H264_RLC</u>	0x0028	W	0x00000000	Base address for differential motion vector base address (RLC-mode)/H264 P initial fwd ref pic list register(4-9)/ VC-1 intensity control 1.
<u>VDPU_SREG10_H264</u>	0x0028	W	0x00000000	Base address for differential motion vector base address (RLC-mode)/H264 P initial fwd ref pic list register(4-9)/VC-1 intensity control 1.
<u>VDPU_SWREG11_H264_RLC</u>	0x002c	W	0x00000000	Base address for H.264 intra prediction 4x4/base address for MPEG-4 DC component (RLC)/H264 P initial fwd ref pic list register(10-15)/VC-1 intensity control 2
<u>VDPU_SWREG11_H264</u>	0x002c	W	0x00000000	Base address for H.264 intra prediction 4x4/base address for MPEG-4 DC component (RLC)/H264 P initial fwd ref pic list register(10-15)/VC-1 intensity control 2
<u>VDPU_SWREG12</u>	0x0030	W	0x00000000	Base address for RLC data (RLC)/stream start address/decoded end addr register (VLC)
<u>VDPU_SWREG13</u>	0x0034	W	0x00000000	Base address for decoded picture/base address for JPEG decoder output luminance picture

<b>Name</b>	<b>Offset</b>	<b>Size</b>	<b>Reset Value</b>	<b>Description</b>
<u>VDPU_SWREG14</u>	0x0038	W	0x00000000	Base address for reference picture index 0/base address for JPEG decoder output chrominance picture
<u>VDPU_SWREG15 JPEG ROI</u>	0x003c	W	0x00000000	JPEG roi control
<u>VDPU_SWREG15</u>	0x003c	W	0x00000000	Base address for reference picture index 1/JPEG control
<u>VDPU_SWREG16</u>	0x0040	W	0x00000000	Base address for reference picture index 2/List of VLC code lengths in first JPEG AC table
<u>VDPU_SWREG17</u>	0x0044	W	0x00000000	Base address for reference picture index 3/List of VLC code lengths in first JPEG AC table
<u>VDPU_SWREG18</u>	0x0048	W	0x00000000	Base address for reference picture index 4/VC1 control/MPEG4 MVD control/List of VLC code lengths in first JPEG AC table/VC-1 intensity control 4.
<u>VDPU_SWREG19</u>	0x004c	W	0x00000000	Base address for reference picture index 5/MPEG4 TRB/TRD delta 0/VC-1 intensity control 3 List of VLC code lengths in first/second JPEG AC table.
<u>VDPU_SWREG20</u>	0x0050	W	0x00000000	Base address for reference picture index 6/MPEG4 TRB/TRD delta - 1/List of VLC code lengths in second JPEG AC table. Note: The h264 decoder will use these bits.
<u>VDPU_SWREG21</u>	0x0054	W	0x00000000	Base address for reference picture index 7/MPEG4 TRB/TRD delta 1 / List of VLC code lengths in second JPEG AC table. Note: The h264 decoder will use these bits.
<u>VDPU_SWREG22</u>	0x0058	W	0x00000000	Base address for reference picture index 8/List of VLC code lengths in second JPEG AC table. Note: The h264 decoder will use these bits.

<b>Name</b>	<b>Offset</b>	<b>Size</b>	<b>Reset Value</b>	<b>Description</b>
<u>VDPU_SWREG23</u>	0x005c	W	0x00000000	Base address for reference picture index 9 / List of VLC code lengths in first JPEG DC table. Note: The h264 decoder will use these bits.
<u>VDPU_SWREG24</u>	0x0060	W	0x00000000	Base address for reference picture index 10/List of VLC code lengths in first JPEG DC table. Note: The h264 decoder will use these bits.
<u>VDPU_SWREG25</u>	0x0064	W	0x00000000	Base address for reference picture index 11/List of VLC code lengths in second JPEG DC table. Note: The h264 decoder will use these bits.
<u>VDPU_SWREG26</u>	0x0068	W	0x00000000	Base address for reference picture index 12/list of VLC code lengths in second JPEG DC table. Note: The h264 decoder will use these bits.
<u>VDPU_SWREG27</u>	0x006c	W	0x00000000	Base address for reference picture index 13/VC-1 bitpl mbctrl. Note: the h264 decoder will use these bits.
<u>VDPU_SWREG28</u>	0x0070	W	0x00000000	Base address for reference picture index14. Note: The h264 decoder will use these bits.
<u>VDPU_SWREG29</u>	0x0074	W	0x00000000	Base address for reference picture index15. Note: The h264 decoder will use these bits.
<u>VDPU_SWREG30</u>	0x0078	W	0x00000000	Reference picture numbers for index 0 and 1 (H264 VLC).
<u>VDPU_SWREG31</u>	0x007c	W	0x00000000	Reference picture numbers for index 2 and 3 (H264 VLC).
<u>VDPU_SWREG32</u>	0x0080	W	0x00000000	Reference picture numbers for index 4 and 5 (H264 VLC).
<u>VDPU_SWREG33</u>	0x0084	W	0x00000000	Reference picture numbers for index 6 and 7 (H264 VLC).
<u>VDPU_SWREG34</u>	0x0088	W	0x00000000	Reference picture numbers for index 8 and 9 (H264 VLC)/MPEG4, VC1 prediction filter taps

<b>Name</b>	<b>Offset</b>	<b>Size</b>	<b>Reset Value</b>	<b>Description</b>
<u>VDPU_SWREG35_JPEG_ROI</u>	0x008c	W	0x00000000	JPEG roi offset/dc base address
<u>VDPU_SWREG35</u>	0x008c	W	0x00000000	Reference picture numbers for index 10 and 11 (H264 VLC)/VC1 prediction filter taps
<u>VDPU_SWREG36</u>	0x0090	W	0x00000000	Reference picture numbers for index 12 and 13 (H264 VLC)/VC1 prediction filter taps
<u>VDPU_SWREG36_JPEG_ROI</u>	0x0090	W	0x00000000	JPEG roi offset/dc length
<u>VDPU_SWREG37</u>	0x0094	W	0x00000000	Reference picture numbers for index 14 and 15 (H264 VLC).
<u>VDPU_SWREG38</u>	0x0098	W	0x00000000	Reference picture long term flags (H264 VLC).
<u>VDPU_SWREG38_H264</u>	0x0098	W	0x00000000	Reference picture numbers for index 12 and 13 (H264 VLC)/VC1 prediction filter taps
<u>VDPU_SWREG39</u>	0x009c	W	0x00000000	Reference picture valid flags (H264 VLC).
<u>VDPU_SWREG39_H264</u>	0x009c	W	0x00000000	Reference picture numbers for index 12 and 13 (H264 VLC)/VC1 prediction filter taps
<u>VDPU_SWREG40</u>	0x00a0	W	0x00000000	Base address for standard dependent tables
<u>VDPU_SWREG41</u>	0x00a4	W	0x00000000	Base address for direct mode motion vectors Note: The h264 decoder will use these bits.
<u>VDPU_SWREG42</u>	0x00a8	W	0x00000000	Bi_dir initial ref pic list register (0-2). Note: The h264 decoder will use these bits.
<u>VDPU_SWREG43</u>	0x00ac	W	0x00000000	Bi-dir initial ref pic list register (3-5). Note: The h264 decoder will use these bits.
<u>VDPU_SWREG44</u>	0x00b0	W	0x00000000	Bi-dir initial ref pic list register (6-8). Note: The h264 decoder will use these bits.

<b>Name</b>	<b>Offset</b>	<b>Size</b>	<b>Reset Value</b>	<b>Description</b>
<u>VDPU_SWREG45</u>	0x00b4	W	0x00000000	Bi-dir initial ref pic list register (9-11). Note: The h264 decoder will use these bits.
<u>VDPU_SWREG46</u>	0x00b8	W	0x00000000	Bi-dir initial ref pic list register (12- 14). Note: The h264 decoder will use these bits.
<u>VDPU_SWREG47</u>	0x00bc	W	0x00000000	Bi-dir and P fwd initial ref pic list register (15 and P 0-3). Note: The h264 decoder will use these bits.
<u>VDPU_SWREG48</u>	0x00c0	W	0x00000000	Error concealment register
<u>VDPU_SWREG49</u>	0x00c4	W	0x00000000	Prediction filter tap register for H264, MPEG4, VC1
<u>VDPU_SWREG50</u>	0x00c8	W	0xfbb56f80	Synthesis configuration register decoder 0 (read only)
<u>VDPU_SWREG51</u>	0x00cc	W	0x00000000	Reference picture buffer control register
<u>VDPU_SWREG52</u>	0x00d0	W	0x00000000	Reference picture buffer information register 1 (read only)
<u>VDPU_SWREG53</u>	0x00d4	W	0x00000000	Reference picture buffer information register 2 (read only)
<u>VDPU_SWREG54</u>	0x00d8	W	0xe5da0000	Synthesis configuration register decoder 1 (read only)
<u>VDPU_SWREG55</u>	0x00dc	W	0x00000000	Reference picture buffer 2/Advanced prefetch control register
<u>VDPU_SWREG56</u>	0x00e0	W	0x00000000	Reference buffer information register 3 (read only)
<u>VDPU_SWREG57_INTRA_INTER</u>	0x00e4	W	0x00000000	Intra_dll3t,intra_dblspeed, inter_dblspeed, stream_len_hi
<u>VDPU_SWREG57</u>	0x00e4	W	0x00000000	Intra_dll3t,intra_dblspeed, inter_dblspeed, stream_len_hi
<u>VDPU_SWREG58</u>	0x00e8	W	0x00000000	Decoder debug register 0 (read only)

<b>Name</b>	<b>Offset</b>	<b>Size</b>	<b>Reset Value</b>	<b>Description</b>
<u>VDPU_SWREG59</u>	0x00ec	W	0x00000000	H264 Chrominance 8 pixel interleaved data base
<u>VDPU_SWREG60</u>	0x00f0	W	0x00000000	Interrupt register post-processor
<u>VDPU_SWREG61</u>	0x00f4	W	0x01010100	Device configuration register post-processor
<u>VDPU_SWREG62</u>	0x00f8	W	0x00000000	Deinterlace control register
<u>VDPU_SWREG63</u>	0x00fc	W	0x00000000	Base address for reading post-processing input picture uminance (top field/frame)
<u>VDPU_SWREG64</u>	0x0100	W	0x00000000	Base address for reading post-processing input picture Cb/Ch (topfield/frame)
<u>VDPU_SWREG65</u>	0x0104	W	0x00000000	Base address for reading post-processing input picture Cr
<u>VDPU_SWREG66</u>	0x0108	W	0x00000000	Base address for writing post-processed picture luminance/RGB
<u>VDPU_SWREG67</u>	0x010c	W	0x00000000	Base address for writing post-processed picture Ch
<u>VDPU_SWREG68</u>	0x0110	W	0x00000000	Register for contrast adjusting
<u>VDPU_SWREG69</u>	0x0114	W	0x00000000	Register for colour conversion and contrast adjusting
<u>VDPU_SWREG70</u>	0x0118	W	0x00000000	Register for colour conversion 0
<u>VDPU_SWREG71</u>	0x011c	W	0x00000000	Register for colour conversion 1 + rotation mode
<u>VDPU_SWREG72</u>	0x0120	W	0x00000000	PP input size and cropping register
<u>VDPU_SWREG73</u>	0x0124	W	0x00000000	PP input picture base address for Y bottom field
<u>VDPU_SWREG74</u>	0x0128	W	0x00000000	PP input picture base for Ch bottom field
<u>VDPU_SWREG79</u>	0x013c	W	0x00000000	Scaling ratio register 1 & padding for B

<b>Name</b>	<b>Offset</b>	<b>Size</b>	<b>Reset Value</b>	<b>Description</b>
<u>VDPU_SWREG80</u>	0x0140	W	0x00000000	Scaling register 0 ratio & padding for R and G
<u>VDPU_SWREG81</u>	0x0144	W	0x00000000	Scaling ratio register 2
<u>VDPU_SWREG82</u>	0x0148	W	0x00000000	Rmask register
<u>VDPU_SWREG83</u>	0x014c	W	0x00000000	Gmask register
<u>VDPU_SWREG84</u>	0x0150	W	0x00000000	Bmask register
<u>VDPU_SWREG85</u>	0x0154	W	0x00000000	Post-processor control register
<u>VDPU_SWREG86</u>	0x0158	W	0x00000000	Mask 1 start coordinate register
<u>VDPU_SWREG87</u>	0x015c	W	0x00000000	Mask 2 start coordinate register
<u>VDPU_SWREG88</u>	0x0160	W	0x00000000	Mask 1 size and PP original width register
<u>VDPU_SWREG89</u>	0x0164	W	0x00000000	Mask 2 size register
<u>VDPU_SWREG90</u>	0x0168	W	0x00000000	PiP register 0
<u>VDPU_SWREG91</u>	0x016c	W	0x00000000	PiP register 1 and dithering control
<u>VDPU_SWREG92</u>	0x0170	W	0x00000000	Display width and PP input size extension register
<u>VDPU_SWREG93</u>	0x0174	W	0x00000000	Display width and PP input size extension register
<u>VDPU_SWREG94</u>	0x0178	W	0x00000000	Base address for alpha blend 2 gui component
<u>VDPU_SWREG95</u>	0x017c	W	0x00000000	Base address for alpha blend 2 gui component
<u>VDPU_SWREG98</u>	0x0188	W	0x00000000	PP outupt width/height extension
<u>VDPU_SWREG99</u>	0x018c	W	0xe000f000	PP fuse register (read only)
<u>VDPU_SWREG100</u>	0x0190	W	0xff874780	Synthesis configuration register post-processor (read only)
<u>VDPU_SWREG101</u>	0x0194	W	0x00000000	Soft reset signals



Name	Offset	Size	Reset Value	Description
<u>VDPU_SWREG103</u>	0x019c	W	0x00000000	Axi ddr rdata num, the unit is byte
<u>VDPU_SWREG104</u>	0x01a0	W	0x00000000	Vdpu write data byte num
<u>VDPU_SWREG105</u>	0x01a4	W	0x00000000	Monitor signal selected
<u>VDPU_SWREG106</u>	0x01a8	W	0x00000000	Performance montor cnt0
<u>VDPU_SWREG107</u>	0x01ac	W	0x00000000	Performance montor cnt1

Notes:Size:**B**- Byte (8 bits) access, **HW**- Half WORD (16 bits) access, **W**-WORD (32 bits) access

### 5.5.3 VDP121 Detail Registers Description

#### VDPU\_SWREG0\_NEW\_VERSION

Address: Operational Base + offset (0x0000)

Bit	Attr	Reset Value	Description
31:28	RO	0x0	Reserved
27:24	RO	0x3	Major_version 1'b0: 1080p support 1'b1: 2160p support
23:16	RO	0x68	Minor_version 8'd0: Audis 8'd1: Audi 8'd2: Maybach 8'd3: Audib FF: Share memory with hevc, so should read version from hevc register
15:0	RW	0x0000	Build The rtl's svn num in ic server

#### VDPU\_SWREG0

Address: Operational Base + offset (0x0000)

Bit	Attr	Reset Value	Description
31:16	RW	0x0000	Pro_num project number
15:12	RW	0x0	Major_version Major version
11:4	RW	0x00	Minor_version Minor version

Bit	Attr	Reset Value	Description
3	RW	0x0	ID_ASCII_EN ASCII type product ID enable
2:0	RW	0x0	Build_version Build version

**VDPU SWREG1**

Address: Operational Base + offset (0x0004)

Bit	Attr	Reset Value	Description
31:25	RO	0x00	Reserved
24	RW	0x0	Sw_dec_pic_inf B slice detected. This signal is driven high during picture ready interrupt if B-type slice is found. This bit does not launch interrupt but is used to inform SW about h264 tools. Note: The h264 decoder will use these bits.
23:19	RO	0x00	Reserved
18	RW	0x0	Sw_dec_timeout Interrupt status bit decoder timeout. When high the decoder 0 has been idling for too long. HW will self reset. Possible only if timeout interrupt is enabled. Note: The h264 decoder will use these bits.
17	RW	0x0	Sw_dec_slice_int Interrupt status bit dec_slice_decoded. When high SW must set new base addresses for Sw_dec_out_base and Sw_jpg_ch_out_base before resetting this status bit. Used for JPEG snapshot modes. Note: The JPEG decoder will use these bits.
16	RW	0x0	Sw_dec_error_int Interrupt status bit input stream error. When high, an error is found in input data stream decoding. HW will self reset. Note: The h264 decoder will use these bits.
15	RW	0x0	Sw_dec_aso_int Interrupt status bit ASO (Arbitrary Slice Ordering) detected. When high, ASO detected in input data stream decoding. HW will self reset. Note: The h264 decoder will use these bits.
14	RW	0x0	Sw_dec_buffer_int Interrupt status bit input buffer empty. When high, Input stream buffer is empty but picture is not ready. HW will not self reset. Note: The h264 decoder will use these bits.
13	RW	0x0	Sw_dec_bus_int Interrupt status bit bus. Error response from bus. HW will self reset. Note: The h264 decoder will use these bits.
12	RW	0x0	Sw_dec_rdy_int Interrupt status bit decoder. When this bit is high decoder has decoded a picture. HW will self reset. Note: The h264 decoder will use these bits.

Bit	Attr	Reset Value	Description
11:9	RO	0x0	Reserved
8	RW	0x0	Sw_dec_irq Decoder IRQ. When high, decoder requests an interrupt. SW will reset this after interrupt is handled. Note: The h264 decoder will use these bits.
7:5	RO	0x0	Reserved
4	RW	0x0	Sw_dec_irq_dis Decoder IRQ disable. When high, there are no interrupts concerning decoder from HW. Polling must be used to see the interrupt statuses. Note: The h264 decoder will use these bits.
3:1	RO	0x0	Reserved
0	RW	0x0	Sw_dec_en Decoder enable. Setting this bit high will start the decoding operation. HW will reset this when picture is processed or ASO or stream error is detected or bus error or timeout interrupt is given. Note: The h264 decoder will use these bits.

**VDPU SWREG2**

Address: Operational Base + offset (0x0008)

Bit	Attr	Reset Value	Description
31:24	RW	0x01	Sw_dec_axi_rd_id Read ID used for decoder reading services in AXI bus (if connected to AXI). Note: The h264 decoder will use these bits.
23	RW	0x0	Sw_dec_timeout_e Timeout interrupt enable. If enabled HW may return timeout interrupt in case HW gets stucked while decoding picture. Note: The h264 decoder will use these bits.
22	RW	0x0	Sw_dec_strswap32_e Decoder input 32bit data swap for stream data (may be used for 64 bit environment): 1'b0: No swapping of 32 bit words 1'b1: 32 bit data words are swapped (needed in 64 bit environment to achieve 7-6-5-4-3-2-1-0 byte order(also little endian should be enabled)). Note: The h264 decoder will use these bits.
21	RW	0x0	Sw_dec_strendian_e Decoder input endian mode for stream data: 1'b0: Big endian (0-1-2-3 order) 1'b1: Little endian (3-2-1-0 order) Note: The h264 decoder will use these bits.

Bit	Attr	Reset Value	Description
20	RW	0x0	Sw_dec_inswap32_e Decoder input 32bit data swap for other than stream data (may be used for 64 bit environment): 1'b0: No swapping of 32 bit words 1'b1: 32 bit data words are swapped (needed in 64 bit environment to achieve 7-6-5-4-3-2-1-0 byte order(also little endian should be enabled)) Note: The h264 decoder will use these bits.
19	RW	0x0	Sw_dec_outswap32_e Decoder output 32bit data swap (may be used for 64 bit environment): 1'b0: No swapping of 32 bit words 1'b1: 32 bit data words are swapped (needed in 64 bit environment to achieve 7-6-5-4-3-2-1-0 byte order(also little endian should be enabled)). Note: The h264 decoder will use these bits.
18	RW	0x0	Sw_dec_data_disc_e Data discard enable. Precise burst lengths are used with reading services. Extra data is discarded internally. Note: The h264 decoder will use these bits.
17	RW	0x0	sw_tiled_mode_msb Tiled mode msb. Concatenated to Tiled mode lsb which form 2 bit tiled mode. Definition of tiledmode: 2'd0: Tiled mode not enabled 2'd1: Tiled mode enabled for 8x4 tile size 2'd2, 2'd3: Reserved Note: The h264 decoder will use these bits.
16:11	RW	0x00	Sw_dec_latency Decoder master interface additional latency. Can be used to slow down decoder HW between services in steps of 8 clock cycles: 6'd0: No latency 6'd1: Minimum 8 cycles of IDLE between services 6'd2: Minimum 16 cycles of IDLE between services ... 6'd63: Minimum latency of 504 cycles of IDLE between services Note: The h264 decoder will use these bits.
10	RW	0x1	Sw_dec_clk_gate_e Decoder dynamic clock gating enable: 1'b0: Clock is running for all structures 1'b1: Clock is gated for decoder structures that are not used Note: Clock gating value can be changed only when decoder is disabled.
9	RW	0x0	Sw_dec_in_endian Decoder input endian mode for other than stream data: 1'b0: Big endian (0-1-2-3 order) 1'b1: Little endian (3-2-1-0 order) Note: The h264 decoder will use these bits.
8	RW	0x0	Sw_dec_out_endian Decoder output endian mode: 1'b0: Big endian (0-1-2-3 order) 1'b1: Little endian (3-2-1-0 order) Note: The h264 decoder will use these bits.

Bit	Attr	Reset Value	Description
7	RW	0x0	Sw_tiled_mode_lsb Tiled mode lsb. Concatenated to Tiled mode msb which form 2 bit tiled mode. Defined in tiled_mode_msb. Note: The h264 decoder will use these bits.
6	RW	0x0	Sw_dec_adv_pre_dis Advanced PREFETCH mode disable (advanced reference picture reading mode for video). Note: The h264 decoder will use these bits.
5	RW	0x0	Sw_dec_scmd_dis AXI Single Command Multiple Data 0 disable. (where only the first addresses of the burst are given from address generator). This bit is used to disable the feature (possible SW workaround if something is not working correctly). Note: The h264 decoder will use these bits.
4:0	RW	0x00	Sw_dec_max_burst Maximum burst length for decoder bus transactions. Valid values: AXI: 1-16 Note: The h264 decoder will use these bits.

**VDPU SWREG3**

Address: Operational Base + offset (0x000c)

Bit	Attr	Reset Value	Description
31:28	RW	0x0	Sw_dec_mode Decoding mode: 4'd0: H.264, 4'd1: MPEG-4, 4'd2: H.263, 4'd3: JPEG, 4'd4: VC-1, 4'd5: MPEG-2, 4'd6: MPEG-1, 4'd11: AVS, Others: Reserved Note: All the decoder mode will use these bits.
27	RW	0x0	Sw_rlc_mode_e RLC mode enable: 1'b1: HW decodes video from RLC input data + side information (Differential MV's, separate DC coeffs, Intra 4x4 modes, MB control). Valid only for H.264 Baseline and MPEG- 4 SP. 1'b0: HW decodes video from bit stream (VLC mode) + side information (bitplane data in VC-1). Note: The h264 and MPEG4 decoder will use these bits.
26	RW	0x0	Sw_skip_mode AVS: 1'b0: Special MB type code indicates skipped mbs 1'b1: Means that skipped mbs are indicated using skip_run - syntax element like in

Bit	Attr	Reset Value	Description
24	RW	0x0	Sw_pjpeg_e Progressive JPEG enable: 1'b0: Baseline JPEG 1'b1: Progressive JPEG
23	RW	0x0	Sw_pic_interlace_e Coding mode of the current picture: 1'b0: Progressive 1'b1: Interlaced Note: The h264 decoder will use these bits.
22	RW	0x0	Sw_pic_fieldmode_e Structure of the current picture (residual structure) 1'b0: Frame structure, this means MBAFF structured picture for interlaced sequence 1 = field structure Note: The h264 decoder will use these bits.
21	RW	0x0	Sw_pic_b_e B picture enable for current picture: 1'b0: Picture type is I or P depending on sw_pic_inter_e 1'b1: Picture type is BI (vc1)/D (mpeg1) or B depending on sw_pic_inter_e (not valid for H264 since its slice based information)
20	RW	0x0	Sw_pic_inter_e Picture type. 1'b1: Inter type (P) 1'b0: Intra type (I) See also sw_pic_b_e
19	RW	0x0	Sw_pic_topfield_e If field structure is enabled this bit informs which one of the fields is being decoded: 1'b0: Bottom field 1'b1: Top field Note: The h264 decoder will use these bits.
18	RW	0x0	Sw_fwd_interlace_e Coding mode of forward reference picture: 1'b0: Progressive 1'b1: Interlaced Note: For backward reference picture the coding mode is always same as for current picture.
16	RW	0x0	Sw_ref_topfield_e Indicates which field should be used as reference if sw_ref_frames = 0 : 1'b0: Bottom field 1'b1: Top field Used only in VC-1 mode
15	RW	0x0	Sw_dec_out_dis Disable decoder output picture writing: 1'b0: Decoder output picture is written to external memory 1'b1: Decoder output picture is not written to external memory Note: The h264 decoder will use these bits.
14	RW	0x0	Sw_filtering_dis De-block filtering disable 1'b1: Filtering is disabled for current picture 1'b0: Filtering is enabled for current picture Note: The h264 decoder will use these bits.

Bit	Attr	Reset Value	Description
13	RW	0x0	Sw_pic_fixed_quant Sw_pic_fixed_quant (DEC mode is VC-1 and AVS) 1'b0: Quantization parameter can vary inside picture 1'b1: Quantization parameter is fixed (pquant) Sw_mvc_e(DEC mode is H264) Multi view coding enable. Possible for H264 only Note: The h264 decoder will use these bits.
12	RW	0x0	Sw_write_mvs_e Direct mode motion vector write enable for current picture / MPEG2 motion vector write enable for error concealment Purposes: 1'b0: Writing disabled for current picture 1'b1: The direct mode motion vectors are written to external Memory. H264 direct mode motion vectors are written to DPB aside with the corresponding reference picture. Other decoding mode dir mode mvs are written to external memory starting from Sw_dir_mv_base. Note: The h264 decoder will use these bits.
11	RW	0x0	Sw_reftopfirst_e Indicates which FWD reference field has been decoded first. 1'b0: FWD reference bottom field 1'b1: FWD reference top field Note: The h264 decoder will use these bits.
10	RW	0x0	Sw_seq_mbaff_e Sequence includes MBAFF coded pictures. Note: The h264 decoder will use these bits.
9	RW	0x0	Sw_picord_count_e H264_high config: Picture order count table read enable. If enabled HW will read picture order counts from memory in the beginning of picture. Note: The h264 decoder will use these bits.
8	RW	0x0	Sw_dec_timeout_mode When 1'b0 , timeout cycle is 181'b1 When 1'b1, timeout cycle is 221'b1 Note: The h264 decoder will use these bits.
7:0	RW	0x01	Sw_dec_axi_wr_id Write ID used for decoder writing services in AXI bus (if connected to AXI). Note: The h264 decoder will use these bits.

**VDPU SWREG4 H264**

Address: Operational Base + offset (0x0010)

Bit	Attr	Reset Value	Description
31:23	RW	0x000	Sw_pic_mb_width Picture width in macroblocks = ((width in pixels + 15) / 16) Note: The h264 decoder will use these bits.
22:19	RO	0x0	Reserved

Bit	Attr	Reset Value	Description
18:11	RW	0x00	Sw_pic_mb_height_p Picture height in macroblocks = $((\text{height in pixels} + 15) / 16)$ . Picture height is informed as size of the (progressive) frame also For single field (of interlaced content) is being decoded Note: The h264 decoder will use these bits.
10:5	RO	0x00	Reserved
4:0	RW	0x00	Sw_ref_frames H.264: Num_ref_frames, maximum number of short and long term reference frames in decoded picture buffer.

### **VDPU SWREG4**

Address: Operational Base + offset (0x0010)

Bit	Attr	Reset Value	Description
31:23	RW	0x000	Sw_pic_mb_width Picture width in macroblocks = $((\text{width in pixels} + 15) / 16)$ .
22:19	RW	0x0	Sw_mb_width_off The amount of meaningful horizontal pixels in last MB (width offset) 0 if exactly 16 pixels multiple picture and all the horizontal pixels in last MB are meaningful.
18:11	RW	0x00	Sw_pic_mb_height_p Picture height in macroblocks = $((\text{height in pixels} + 15) / 16)$ . Picture height is informed as size of the (progressive) frame also for single field (of interlaced content) is being decoded.
10:7	RW	0x0	Sw_mb_height_off The amount of meaningful vertical pixels in last MB (height offset) 0 if exactly 16 pixels multiple picture and all the vertical pixels in last MB are meaningful.
6	RW	0x0	Sw_alt_scan_e Indicates alternative vertical scan method used for interlaced frames.
5:3	RW	0x0	Sw_pic_mb_w_ext Picture mb width extension. If sw_pic_mb_width does not fit to 9 bits then these bits are used to increase the range up to 11 bits (used as 3 msb).
2:0	RW	0x0	Sw_pic_mb_h_ext Picture mb height extension. If sw_pic_mb_height_p does not fit to 9 bits then these bits are used to increase the range up to 11 bits (used as 3 msb).

### **VDPU SWREG5**

Address: Operational Base + offset (0x0014)

Bit	Attr	Reset Value	Description
31:26	RW	0x00	Sw_strm_start_bit Exact bit of stream start word where decoding can be started (associates with sw_rlc_vlc_base).



Bit	Attr	Reset Value	Description
25	RW	0x0	Sw_sync_marker_e Sync markers enable: 1'b0: Synch markers are not used. 1'b1: Synch markers are used. For progressive JPEG this indicates that there are restart markers in the stream after restart interval steps.
24	RW	0x0	Sw_type1_quant_e MPEG4: Type 1 quantization enable 1'b0: Type 2 inverse Q method 1'b1: Type 1 inverse Q method (Q-tables used) H264 (h264_high config), scaling matrix enable: 1'b0: Normal transform 1'b1: Use scaling matrix for transform (read from external
23:19	RW	0x00	Sw_ch_qp_offset Chroma Qp filter offset. (For H.264 this offset concerns Cb only)
18:14	RW	0x00	Sw_ch_qp_offset2 Chroma Qp filter offset for cr type.
13:1	RO	0x0000	Reserved
0	RW	0x0	Sw_fieldpic_flag_e Flag for stream that field_pic_flag exists in stream.

**VDPU SWREG5 H264**

Address: Operational Base + offset (0x0014)

Bit	Attr	Reset Value	Description
31:26	RW	0x00	Sw_strm_start_bit Exact bit of stream start word where decoding can be started (associates with sw_rlc_vlc_base).
25	RO	0x0	Reserved
24	RW	0x0	Sw_type1_quant_e MPEG4: Type 1 quantization enable 1'b0: Type 2 inverse Q method 1'b1: Type 1 inverse Q method (Q-tables used) H264 (h264_high config), scaling matrix enable: 1'b0: Normal transform 1'b1: Use scaling matrix for transform (read from external
23:19	RW	0x00	Sw_ch_qp_offset Chroma Qp filter offset. (For H.264 this offset concerns Cb only)
18:14	RW	0x00	Sw_ch_qp_offset2 Chroma Qp filter offset for cr type.
13:1	RO	0x0000	Reserved
0	RW	0x0	Sw_fieldpic_flag_e Flag for stream that field_pic_flag exists in stream.

**VDPU SWREG6**

Address: Operational Base + offset (0x0018)

Bit	Attr	Reset Value	Description
31	RW	0x0	Sw_start_code_e Bit for indicating stream start code existence: 1'b0: Stream doesn't contain start codes 1'b1: Stream contains start codes Note: The h264 decoder will use these bits.
30:25	RW	0x00	Sw_init_qp Initial value for quantization parameter (picture quantizer). Note: The h264 decoder will use these bits.
24	RW	0x0	Sw_ch_8pix_ileav_e Enable for additional chrominance data format writing where decoder writes chrominance in group of 8 pixels of Cb and then corresponding 8 pixels of Cr. Data is written to sw_dec_ch8pix_base. Cannot be used if tiled mode is enabled. Note: The h264 decoder will use these bits.
23:0	RW	0x000000	Sw_stream_len Amount of stream data bytes in input buffer. If the given buffer size is not enough for finishing the picture the corresponding interrupt is given and new stream buffer base address and stream buffer size information should be given (associates with Sw_rlc_vlc_base). For VC-1 the buffer must include data for one picture/slice of the picture. For H264/MPEG4/H263/MPEG2/MPEG1 the buffer must include at least data for one slice/VP of the picture. For JPEG the buffer size must be a multiple of 256 bytes or the amount of data for one picture. Note: The h264 decoder will use these bits.

**VDPU SWREG7**

Address: Operational Base + offset (0x001c)

Bit	Attr	Reset Value	Description
31	RW	0x0	Sw_cabac_e CABAC enable Note: The h264 decoder will use these bits.
30	RW	0x0	Sw_blackwhite_e 1'b0: 4:2:0 sampling format 1'b1: 4:0:0 sampling format (H264 monochroma) Note: The h264 decoder will use these bits.
29	RW	0x0	Sw_dir_8x8_infer_e Specifies the method to use to derive luma motion vectors in B_skip, B_Direct_16x16 and B_direct_8x8_inference_flag (see direct_8x8_inference flag). Note: The h264 decoder will use these bits.
28	RW	0x0	Sw_weight_pred_e Weighted prediction enable for P slices. Note: The h264 decoder will use these bits.

Bit	Attr	Reset Value	Description
27:26	RW	0x0	Sw_weight_bipr_idc Weighted prediction specification for B slices: 2'b00: Default weighted prediction is applied to B slices 2'b01: Explicit weighted prediction shall be applied to B slices 2'b10: Implicit weighted prediction shall be applied to B slices Note: The h264 decoder will use these bits.
25:21	RO	0x00	Reserved
20:16	RW	0x00	Sw_framenum_len H.264: Bit length of frame_num in data stream. Note: The h264 decoder will use these bits.
15:0	RW	0x0000	Sw_framenum Current frame_num, used to identify short-term reference frames. Used in reference picture reordering. Note: The h264 decoder will use these bits.

**VDPU\_SWREG8**

Address: Operational Base + offset (0x0020)

Bit	Attr	Reset Value	Description
31	RW	0x0	Sw_const_intra_e Constrained_intra_pred_flag equal to 1 specifies that intra prediction uses only. Neighbouring intra macroblocks in prediction. When equal to 0 also neighbouring. Inter macroblocks are used in intra prediction process. Note: The h264 decoder will use these bits.
30	RW	0x0	Sw_filt_ctrl_pres Deblocking_filter_control_present_flag indicates whether extra variables controlling characteristics of the deblocking filter are present in the slice header. Note: The h264 decoder will use these bits.
29	RW	0x0	Sw_rdpic_cnt_pres Redundant_pic_cnt_present_flag specifies whether. Redundant_pic_cnt syntax elements. Note: The h264 decoder will use these bits.
28	RW	0x0	Sw_8x8trans_flag_e 8x8 transform flag enable for stream decoding. Note: The h264 decoder will use these bits.
27:17	RW	0x000	Sw_refpic_mk_len Length of decoded reference picture marking bits. Note: The h264 decoder will use these bits.
16	RW	0x0	Sw_idr_pic_e IDR (instantaneous decoding refresh) picture flag. Note: The h264 decoder will use these bits.
15:0	RW	0x0000	Sw_idr_pic_id Idr_pic_id, identifies IDR (instantaneous decoding refresh) picture. Note: The h264 decoder will use these bits.

**VDPU SWREG9**

Address: Operational Base + offset (0x0024)

Bit	Attr	Reset Value	Description
31:24	RW	0x00	Sw_pps_id Pic_parameter_set_id, identifies the picture parameter set that is referred to in the slice header. Note: The h264 decoder will use these bits.
23:19	RW	0x00	Sw_refidx1_active Specifies the maximum reference index that can be used while decoding inter predicted macro blocks. Note: The h264 decoder will use these bits.
18:14	RW	0x00	Sw_refidx0_active Specifies the maximum reference index that can be used while decoding inter predicted macro blocks. This is same as in previous decoders (width increased with q bit). Note: The h264 decoder will use these bits.
13:8	RO	0x00	Reserved
7:0	RW	0x00	Sw_poc_length Length of picture order count field in stream. Note: The h264 decoder will use these bits.

**VDPU SREG10 H264 RLC**

Address: Operational Base + offset (0x0028)

Bit	Attr	Reset Value	Description
31:2	RW	0x00000000	Sw_diff_mv_base For H264 and MPEG4, RLC mode: Differential motion vector base address.

**VDPU SREG10 H264**

Address: Operational Base + offset (0x0028)

Bit	Attr	Reset Value	Description
31:30	RO	0x0	Reserved
29:25	RW	0x00	Sw_pinit_rlist_f9 Initial reference picture list for P forward picid 9
24:20	RW	0x00	Sw_pinit_rlist_f8 Initial reference picture list for P forward picid 8
19:15	RW	0x00	Sw_pinit_rlist_f7 Initial reference picture list for P forward picid 7
14:10	RW	0x00	Sw_pinit_rlist_f6 Initial reference picture list for P forward picid 6
9:5	RW	0x00	Sw_pinit_rlist_f5 Initial reference picture list for P forward picid 5

Bit	Attr	Reset Value	Description
4:0	RW	0x00	Sw_pinit_rlist_f4 Initial reference picture list for P forward picid 4

**VDPU SWREG11 H264 RLC**

Address: Operational Base + offset (0x002c)

Bit	Attr	Reset Value	Description
31:2	RW	0x00000000	Sw_i4x4_or_dc_base RLC mode: H.264: Intra prediction 4x4 mode base address. RLC mode: MPEG-4: DC component base address.

**VDPU SWREG11 H264**

Address: Operational Base + offset (0x002c)

Bit	Attr	Reset Value	Description
31:30	RO	0x0	Reserved
29:25	RW	0x00	Sw_pinit_rlist_f15 Initial reference picture list for P forward picid 15
24:20	RW	0x00	Sw_pinit_rlist_f14 Initial reference picture list for P forward picid 14
19:15	RW	0x00	Sw_pinit_rlist_f13 Initial reference picture list for P forward picid 13
14:10	RW	0x00	Sw_pinit_rlist_f12 Initial reference picture list for P forward picid 12
9:5	RW	0x00	Sw_pinit_rlist_f11 Initial reference picture list for P forward picid 11
4:0	RW	0x00	Sw_pinit_rlist_f10 Initial reference picture list for P forward picid 10

**VDPU SWREG12**

Address: Operational Base + offset (0x0030)

Bit	Attr	Reset Value	Description
31:2	RW	0x00000000	Sw_rlc_vlc_base RLC mode: Base address for RLC data (swreg3.sw_rlc_mode_e = 1). VLC mode: Stream start address / end addr+I288ess with byte precision (swreg4.rlc_mode_en = 0), start bit number in swreg5.stream_start_bit. When sw_dec_buffer_int is high or sw_dec_e is low this register contains HW return value of last_byte_address (not valid for jpeg) where stream has been read (and used) in accuracy of byte. For debug purposes the last_byte_address is also written when stream error/ASO is detected even though it may not be accurate. Note: The h264 decoder will use these bits.

**VDPU SWREG13**

Address: Operational Base + offset (0x0034)

Bit	Attr	Reset Value	Description
31:2	RW	0x00000000	Sw_dec_out_base Video: Base address for decoder output picture. Points directly to start of decoder output picture or field. JPEG snapshot: Base address for decoder output luminance picture. Note: The h264 decoder will use these bits.

**VDPU SWREG14**

Address: Operational Base + offset (0x0038)

Bit	Attr	Reset Value	Description
31:2	RW	0x00000000	Sw_refer0_base Base address for reference picture index 0. See picture index definition from toplevel_sp. Note: The h264 decoder will use these bits.
1	RW	0x0	Sw_refer0_field_e Refer picture consist of single fields or frame: 1'b0: Reference picture consists of frame 1'b1: Reference picture consists of fields Note: The h264 decoder will use these bits.
0	RW	0x0	Sw_refer0_topc_e Which field of reference picture is closer to current picture: 1'b0: Bottom field is closer to current picture 1'b1: Top field is closer to current picture Note: The h264 decoder will use these bits.

**VDPU SWREG15 JPEG ROI**

Address: Operational Base + offset (0x003c)

Bit	Attr	Reset Value	Description
31:20	RO	0x000	Reserved
19	RW	0x0	Sw_jpegroi_in_endian Sw_jpegroi_in_endian 1'b0: Big endian (0-1-2-3 order) 1'b1: Little endian (3-2-1-0 order)
18	RW	0x0	Sw_jpegroi_in_swap32 Sw_jpegroi_in_swap32 1'b0: No swapping of 32 bit words 1'b1: 32bit data words are swapped (needed in 64 bit environment to achieve 7-6-5-4-3-2-1 byte order (also little endian should be enabled).
17:16	RW	0x0	Sw_roi_sample_size ROI MB num sample each time 2'b00: 1 2'b01: 8 2'b10: 16 2'b11: 8
15:12	RW	0x0	Sw_roi_distance The distance between the sample MB and ROI start MB
11:10	RW	0x0	Sw_roi_out_sel ROI output selection 2'b00: Output offset/dc 2'b01: Output picture 2'b10: Output offset/dc and picture 2'b11: Output offset/dc
9	RW	0x0	Sw_roi_decode JPEG ROI decode 1'b0: Build offset/dc table 1'b1: ROI decode
8	RW	0x0	Sw_roi_en JPEG roi mode enable 1'b0: Normal jpeg decode mode 1'b1: JPEG roi mode

**VDPU SWREG15**

Address: Operational Base + offset (0x003c)

Bit	Attr	Reset Value	Description
31:2	RW	0x00000000	Sw_refer1_base Base address for reference picture index 1. See picture index definition from toplevel_sp. Note: The h264 decoder will use these bits.
1	RW	0x0	Sw_refer1_field_e Refer picture consist of single fields or frame: 1'b0: Reference picture consists of frame 1'b1: Reference picture consists of fields
0	RW	0x0	Sw_refer1_topc_e Which field of reference picture is closer to current picture: 1'b0: Bottom field is closer to current picture 1'b1: Top field is closer to current picture

**VDPU SWREG16**

Address: Operational Base + offset (0x0040)

Bit	Attr	Reset Value	Description
31:2	RW	0x00000000	Sw_refer2_base Base address for reference picture index 2. See picture index definition from toplevel_sp. Note: The h264 decoder will use these bits.
1	RW	0x0	Sw_refer2_field_e Refer picture consist of single fields or frame: 1'b0: Reference picture consists of frame 1'b1: Reference picture consists of fields Note: The h264 decoder will use these bits.
0	RW	0x0	Sw_refer2_topc_e Which field of reference picture is closer to current picture: 1'b0: Bottom field is closer to current picture 1'b1: Top field is closer to current picture Note: The h264 decoder will use these bits.

**VDPU SWREG17**

Address: Operational Base + offset (0x0044)

Bit	Attr	Reset Value	Description
31:2	RW	0x00000000	Sw_refer3_base Base address for reference picture index 3. See picture index definition from toplevel_sp. Note: The h264 decoder will use these bits.
1	RW	0x0	Sw_refer3_field_e Refer picture consist of single fields or frame: 1'b0: Reference picture consists of frame 1'b1: Reference picture consists of fields Note: The h264 decoder will use these bits.
0	RW	0x0	Sw_refer3_topc_e Which field of reference picture is closer to current picture: 1'b0: Bottom field is closer to current picture 1'b1: Top field is closer to current picture Note: The h264 decoder will use these bits.

**VDPU SWREG18**

Address: Operational Base + offset (0x0048)

Bit	Attr	Reset Value	Description
31:2	RW	0x00000000	Sw_refer4_base Base address for reference picture index 4. See picture index definition from toplevel_sp Note: The h264 decoder will use these bits.



Bit	Attr	Reset Value	Description
1	RW	0x0	Sw_refer4_field_e Refer picture consist of single fields or frame: 1'b0: Teference picture consists of frame 1'b1: Teference picture consists of fields Note: The h264 decoder will use these bits.
0	RW	0x0	Sw_refer4_topc_e Which field of reference picture is closer to current picture: 1'b0: Bottom field is closer to current picture 1'b1: Top field is closer to current picture Note: The h264 decoder will use these bits.

**VDPU SWREG19**

Address: Operational Base + offset (0x004c)

Bit	Attr	Reset Value	Description
31:2	RW	0x00000000	Sw_refer5_base Base address for reference picture index 5. See picture index definition from toplevel_sp. Note: The h264 decoder will use these bits.
1	RW	0x0	Sw_refer5_field_e Refer picture consist of single fields or frame: 1'b0: Reference picture consists of frame 1'b1: Reference picture consists of fields Note: The h264 decoder will use these bits.
0	RW	0x0	Sw_refer5_topc_e Which field of reference picture is closer to current picture: 1'b0: Bottom field is closer to current picture 1'b1: Top field is closer to current picture Note: The h264 decoder will use these bits.

**VDPU SWREG20**

Address: Operational Base + offset (0x0050)

Bit	Attr	Reset Value	Description
31:2	RW	0x00000000	Sw_refer6_base Base address for reference picture index 6. See picture index definition from toplevel_sp. Note: The h264 decoder will use these bits.
1	RW	0x0	Sw_refer6_field_e Refer picture consist of single fields or frame: 1'b0: Reference picture consists of frame 1'b1: Reference picture consists of fields Note: The h264 decoder will use these bits.
0	RW	0x0	Sw_refer6_topc_e Which field of reference picture is closer to current picture: 1'b0: Bottom field is closer to current picture 1'b1: Top field is closer to current picture Note: The h264 decoder will use these bits.

**VDPU SWREG21**

Address: Operational Base + offset (0x0054)

Bit	Attr	Reset Value	Description
31:2	RW	0x00000000	Sw_refer7_base Base address for reference picture index 7. See picture index definition from toplevel_sp Note: The h264 decoder will use these bits.
1	RW	0x0	Sw_refer7_field_e Refer picture consist of single fields or frame: 1'b0: Reference picture consists of frame 1'b1: Reference picture consists of fields Note: The h264 decoder will use these bits.
0	RW	0x0	Sw_refer7_topc_e Which field of reference picture is closer to current picture: 1'b0: Bottom field is closer to current picture 1'b1: Top field is closer to current picture Note: The h264 decoder will use these bits.

**VDPU SWREG22**

Address: Operational Base + offset (0x0058)

Bit	Attr	Reset Value	Description
31:2	RW	0x00000000	Sw_refer8_base Base address for reference picture index 8. See picture index definition from toplevel_sp.
1	RW	0x0	Sw_refer8_field_e Refer picture consist of single fields or frame: 1'b0: Reference picture consists of frame 1'b1: Reference picture consists of fields
0	RW	0x0	Sw_refer8_topc_e Which field of reference picture is closer to current picture: 1'b0: Bottom field is closer to current picture 1'b1: Top field is closer to current picture

**VDPU SWREG23**

Address: Operational Base + offset (0x005c)

Bit	Attr	Reset Value	Description
31:2	RW	0x00000000	Sw_refer9_base Base address for reference picture index 9. See picture index definition from toplevel_sp.
1	RW	0x0	Sw_refer9_field_e Refer picture consist of single fields or frame: 1'b0: Reference picture consists of frame 1'b1: Reference picture consists of fields

Bit	Attr	Reset Value	Description
0	RW	0x0	Sw_refer9_topc_e Which field of reference picture is closer to current picture: 1'b0: Bottom field is closer to current picture 1'b1: Top field is closer to current picture

**VDPU\_SWREG24**

Address: Operational Base + offset (0x0060)

Bit	Attr	Reset Value	Description
31:2	RW	0x00000000	Sw_refer10_base Base address for reference picture index 10. See picture index definition from toplevel_sp.
1	RW	0x0	Sw_refer10_field_e Refer picture consist of single fields or frame: 1'b0: Reference picture consists of frame 1'b1: Reference picture consists of fields
0	RW	0x0	Sw_refer10_top_e Which field of reference picture is closer to current picture: 1'b0: Bottom field is closer to current picture 1'b1: Top field is closer to current picture

**VDPU\_SWREG25**

Address: Operational Base + offset (0x0064)

Bit	Attr	Reset Value	Description
31:3	RO	0x00000000	Reserved
2	RW	0x0	Sw_refer11_base Base address for reference picture index 11. See picture index definition from toplevel_sp.
1	RW	0x0	Sw_refer11_field_e Refer picture consist of single fields or frame: 1'b0: Reference picture consists of frame 1'b1: Reference picture consists of fields
0	RW	0x0	Sw_refer11_topc_e Which field of reference picture is closer to current picture: 1'b0: Bottom field is closer to current picture 1'b1: Top field is closer to current picture

**VDPU\_SWREG26**

Address: Operational Base + offset (0x0068)

Bit	Attr	Reset Value	Description
31:2	RW	0x00000000	Sw_refer12_base Base address for reference picture index 12. See picture index definition from toplevel_sp.
1	RW	0x0	Sw_refer12_field_e Refer picture consist of single fields or frame: 1'b0: Reference picture consists of frame 1'b1: Reference picture consists of fields
0	RW	0x0	Sw_refer12_topc_e Which field of reference picture is closer to current picture: 1'b0: Bottom field is closer to current picture 1'b1: Top field is closer to current picture

**VDPU SWREG27**

Address: Operational Base + offset (0x006c)

Bit	Attr	Reset Value	Description
31:2	RW	0x00000000	Sw_refer13_base Base address for reference picture index 13. See picture index definition from toplevel_sp.
1	RW	0x0	Sw_refer13_field_e Refer picture consist of single fields or frame: 1'b0: Reference picture consists of frame 1'b1: Reference picture consists of fields
0	RW	0x0	Sw_refer13_topc_e Which field of reference picture is closer to current picture: 1'b0: Bottom field is closer to current picture 1'b1: Top field is closer to current picture

**VDPU SWREG28**

Address: Operational Base + offset (0x0070)

Bit	Attr	Reset Value	Description
31:2	RW	0x00000000	Sw_refer14_base Base address for reference picture index 14. See picture index definition from toplevel_sp.
1	RW	0x0	Sw_refer14_field_e Refer picture consist of single fields or frame: 1'b0: Reference picture consists of frame 1'b1: Reference picture consists of fields
0	RW	0x0	Sw_refer14_topc_e Which field of reference picture is closer to current picture: 1'b0: Bottom field is closer to current picture 1'b1: Top field is closer to current picture

**VDPU SWREG29**

Address: Operational Base + offset (0x0074)

Bit	Attr	Reset Value	Description
31:2	RW	0x00000000	Sw_refer15_base Base address for reference picture index 15. See picture index definition from toplevel_sp.
1	RW	0x0	Sw_refer15_field_e Refer picture consist of single fields or frame: 1'b0: Reference picture consists of frame 1'b1: Reference picture consists of fields
0	RW	0x0	Sw_refer15_topc_e Which field of reference picture is closer to current picture: 1'b0: Bottom field is closer to current picture 1'b1: Top field is closer to current picture

**VDPU SWREG30**

Address: Operational Base + offset (0x0078)

Bit	Attr	Reset Value	Description
31:16	RW	0x0000	Sw_refer1_nbr Number for reference picture index 1.
15:0	RW	0x0000	Sw_refer0_nbr Number for reference picture index 0.

**VDPU SWREG31**

Address: Operational Base + offset (0x007c)

Bit	Attr	Reset Value	Description
31:16	RW	0x0000	Sw_refer3_nbr Number for reference picture index 3.
15:0	RW	0x0000	Sw_refer2_nbr Number for reference picture index 2.

**VDPU SWREG32**

Address: Operational Base + offset (0x0080)

Bit	Attr	Reset Value	Description
31:16	RW	0x0000	Sw_refer5_nbr Number for reference picture index 5.
15:0	RW	0x0000	Sw_refer4_nbr Number for reference picture index 4.

**VDPU SWREG33**

Address: Operational Base + offset (0x0084)

Bit	Attr	Reset Value	Description
31:16	RW	0x0000	Sw_refer7_nbr Number for reference picture index 7.
15:0	RW	0x0000	Sw_refer6_nbr Number for reference picture index 6.

**VDPU SWREG34**

Address: Operational Base + offset (0x0088)

Bit	Attr	Reset Value	Description
31:16	RW	0x0000	Sw_refer9_nbr Number for reference picture index 9.
15:0	RW	0x0000	Sw_refer8_nbr Number for reference picture index 8.

**VDPU SWREG35 JPEG ROI**

Address: Operational Base + offset (0x008c)

Bit	Attr	Reset Value	Description
31:2	RW	0x00000000	Sw_jpegdcoeff_base JPEG roi offset/dc base address.

**VDPU SWREG35**

Address: Operational Base + offset (0x008c)

Bit	Attr	Reset Value	Description
31:16	RW	0x0000	Sw_refer11_nbr Number for reference picture index 11.
15:0	RW	0x0000	Sw_refer10_nbr Number for reference picture index 10.

**VDPU SWREG36**

Address: Operational Base + offset (0x0090)

Bit	Attr	Reset Value	Description
31:16	RW	0x0000	Sw_refer13_nbr Number for reference picture index 13.
15:0	RW	0x0000	Sw_refer12_nbr Number for reference picture index 12.

**VDPU SWREG36 JPEG ROI**

Address: Operational Base + offset (0x0090)

Bit	Attr	Reset Value	Description
31:17	RO	0x0000	Reserved
16:0	RW	0x00000	Sw_jpegdccoeff_len The number of 64bit jpegdccoeff, it can be used both when Sw_roi_decode is 1b0 or 1b1.

**VDPU SWREG37**

Address: Operational Base + offset (0x0094)

Bit	Attr	Reset Value	Description
31:16	RW	0x0000	Sw_refer15_nbr Number for reference picture index 15.
15:0	RW	0x0000	Sw_refer14_nbr Number for reference picture index 14.

**VDPU SWREG38**

Address: Operational Base + offset (0x0098)

Bit	Attr	Reset Value	Description
31:22	RW	0x000	Sw_pred_bc_tap_3_3 Prediction filter set 3, tap 3
21:12	RW	0x000	Sw_pred_bc_tap_4_0 Prediction filter set 4, tap 0
11:2	RW	0x000	Sw_perd_bc_tap_4_1 Prediction filter set 4, tap 1

**VDPU SWREG38 H264**

Address: Operational Base + offset (0x0098)

Bit	Attr	Reset Value	Description
31:0	RW	0x00000000	Sw_refer_lterm_e Long term flag for reference picture index [31:0].

**VDPU SWREG39**

Address: Operational Base + offset (0x009c)

Bit	Attr	Reset Value	Description
31:22	RW	0x000	Sw_pred_bc_tap_4_2 Prediction filter set 4, tap 2

Bit	Attr	Reset Value	Description
21:12	RW	0x000	Sw_pred_bc_tap_4_3 Prediction filter set 4, tap 3
11:2	RW	0x000	Sw_pred_bc_tap_5_0 Prediction filter set 5, tap 0

**VDPU SWREG39 H264**

Address: Operational Base + offset (0x009c)

Bit	Attr	Reset Value	Description
31:0	RW	0x00000000	Sw_refer_valid_e Valid flag for reference picture index [31:0]

**VDPU SWREG40**

Address: Operational Base + offset (0x00a0)

Bit	Attr	Reset Value	Description
31:2	RW	0x00000000	Sw_qtable_base Base address for standard dependent tables: JPEG= AC,DC, QP tables MPEG4=QP table base address if type 1 quantization is used MPEG2=QP table base address H.264=base address for various tables Note: The h264 decoder will use these bits.

**VDPU SWREG41**

Address: Operational Base + offset (0x00a4)

Bit	Attr	Reset Value	Description
31:2	RW	0x00000000	Sw_dir_mv_base Direct mode motion vector write/read base address. For H264 this is used only for direct mode motion vector write base. Progressive JPEG: ACDC coefficient read/write base address. If current round is for DC components this base address is pointing to luminance (separate base addresses for chrominance), for AC component rounds this base is used for current type

**VDPU SWREG42**

Address: Operational Base + offset (0x00a8)

Bit	Attr	Reset Value	Description
31:30	RO	0x0	Reserved



Bit	Attr	Reset Value	Description
29:25	RW	0x00	Sw_binit_rlist_b2 Initial reference picture list for bi- direct backward picid 2.
24:20	RW	0x00	Sw_binit_rlist_f2 Initial reference picture list for bi- direct forward picid 2.
19:15	RW	0x00	Sw_binit_rlist_b1 Initial reference picture list for bi- direct backward picid 1.
14:10	RW	0x00	Sw_binit_rlist_f1 Initial reference picture list for bi- direct forward picid 1.
9:5	RW	0x00	Sw_binit_rlist_b0 Initial reference picture list for bi- direct backward picid 0.
4:0	RW	0x00	Sw_binit_rlist_f0 Initial reference picture list for bi- direct forward picid 0.

**VDPU SWREG43**

Address: Operational Base + offset (0x00ac)

Bit	Attr	Reset Value	Description
31:30	RO	0x0	Reserved
29:25	RW	0x00	Sw_binit_rlist_b5 Initial reference picture list for bi- direct backward picid 5.
24:20	RW	0x00	Sw_binit_rlist_f5 Initial reference picture list for bi- direct forward picid 5.
19:15	RW	0x00	Sw_binit_rlist_b4 Initial reference picture list for bi- direct backward picid 4.
14:10	RW	0x00	Sw_binit_rlist_f4 Initial reference picture list for bi- direct forward picid 4.
9:5	RW	0x00	Sw_binit_rlist_b3 Initial reference picture list for bi- direct backward picid 3.
4:0	RW	0x00	Sw_binit_rlist_f3 Initial reference picture list for bi- direct forward picid 3.

**VDPU SWREG44**

Address: Operational Base + offset (0x00b0)

Bit	Attr	Reset Value	Description
31:30	RO	0x0	Reserved
29:25	RW	0x00	Sw_binit_rlist_b8 Initial reference picture list for bi- direct backward picid 8.
24:20	RW	0x00	Sw_binit_rlist_f8 Initial reference picture list for bi- direct forward picid 8.
19:15	RW	0x00	Sw_binit_rlist_b7 Initial reference picture list for bi- direct backward picid 7.

Bit	Attr	Reset Value	Description
14:10	RW	0x00	Sw_binit_rlist_f7 Initial reference picture list for bi- direct forward picid 7.
9:5	RW	0x00	Sw_binit_rlist_b6 Initial reference picture list for bi- direct backward picid 6.
4:0	RW	0x00	Sw_binit_rlist_f6 Initial reference picture list for bi- direct forward picid 6.

**VDPU SWREG45**

Address: Operational Base + offset (0x00b4)

Bit	Attr	Reset Value	Description
31:30	RO	0x0	Reserved
29:25	RW	0x00	Sw_binit_rlist_b11 Initial reference picture list for bi-direct backward picid 11.
24:20	RW	0x00	Sw_binit_rlist_f11 Initial reference picture list for bi-direct forward picid 11.
19:15	RW	0x00	Sw_binit_rlist_b10 Initial reference picture list for bi-direct backward picid 10.
14:10	RW	0x00	Sw_binit_rlist_f10 Initial reference picture list for bi-direct forward picid 10.
9:5	RW	0x00	Sw_binit_rlist_b9 Initial reference picture list for bi-direct backward picid 9.
4:0	RW	0x00	Sw_binit_rlist_f9 Initial reference picture list for bi-direct forward picid 9.

**VDPU SWREG46**

Address: Operational Base + offset (0x00b8)

Bit	Attr	Reset Value	Description
31:30	RO	0x0	Reserved
29:25	RW	0x00	Sw_binit_rlist_b14 Initial reference picture list for bi-direct backward picid 14.
24:20	RW	0x00	Sw_binit_rlist_f14 Initial reference picture list for bi-direct forward picid 14.
19:15	RW	0x00	Sw_binit_rlist_b13 Initial reference picture list for bi-direct backward picid 13.
14:10	RW	0x00	Sw_binit_rlist_f13 Initial reference picture list for bi-direct forward picid 13.
9:5	RW	0x00	Sw_binit_rlist_b12 Initial reference picture list for bi-direct backward picid 12.
4:0	RW	0x00	Sw_binit_rlist_f12 Initial reference picture list for bi-direct forward picid 12.

**VDPU SWREG47**

Address: Operational Base + offset (0x00bc)

Bit	Attr	Reset Value	Description
31:30	RO	0x0	Reserved
29:25	RW	0x00	Sw_pinit_rlist_f3 Initial reference picture list for P forward picid 3.
24:20	RW	0x00	Sw_pinit_rlist_f2 Initial reference picture list for P forward picid 2.
19:15	RW	0x00	Sw_pinit_rlist_f1 Initial reference picture list for P forward picid 1.
14:10	RW	0x00	Sw_pinit_rlist_f0 Initial reference picture list for P forward picid 0.
9:5	RW	0x00	Sw_binit_rlist_b15 Initial reference picture list for bi-direct backward picid 15.
4:0	RW	0x00	Sw_binit_rlist_f15 Initial reference picture list for bi-direct forward picid 15.

**VDPU SWREG48**

Address: Operational Base + offset (0x00c0)

Bit	Attr	Reset Value	Description
31:23	RW	0x000	Sw_startmb_x Start MB from SW for X dimension. Used in error concealment case. Note: The h264 decoder will use these bits.
22:15	RW	0x00	Sw_startmb_y Start MB from SW for Y dimension. Used in error concealment case. Note: The h264 decoder will use these bits.

**VDPU SWREG49**

Address: Operational Base + offset (0x00c4)

Bit	Attr	Reset Value	Description
31:22	RW	0x000	Sw_pred_bc_tap_0_0 Prediction filter set 0, tap 0 Note: The h264 decoder will use these bits.
21:12	RW	0x000	Sw_pred_bc_tap_0_1 Prediction filter set 0, tap 1 Note: The h264 decoder will use these bits.
11:2	RW	0x000	Sw_pred_bc_tap_0_2 Prediction filter set 0, tap 2 Note: The h264 decoder will use these bits.

**VDPU SWREG50**

Address: Operational Base + offset (0x00c8)

Bit	Attr	Reset Value	Description
31	RO	0x1	Sw_DEC_MPEG2_PROF Decoding format support, MPEG-2 / MPEG-1 1'b0: Not supported 1'b1: Supported
30:29	RO	0x3	Sw_DEC_VC1_PROF Decoding format support, VC-1 2'd0: Not supported 2'd1: Supported up to simple profile 2'd2: Supported up to main profile 2'd3: Supported up to advanced profile
28	RO	0x1	Sw_DEC_JPEG_PROF Decoding format support, JPEG 1'b0: Not supported 1'b1: Supported
27:26	RO	0x2	Sw_DEC_MPEG4_PROF Decoding format support, MPEG-4 / H.263 2'd0: Not supported 2'd1: Supported up to simple profile 2'd2: Supported up to advanced simple profile
25:24	RO	0x3	Sw_DEC_H264_PROF Decoding format support, H.264 2'd0: Not supported 2'd1: Supported up to baseline profile 2'd2: Supported up to high profile labeled stream with restricted high profile tools Note: The h264 decoder will use these bits.
22	RO	0x0	Sw_DEC_PJPEG_EXIT Progressive JPEG support: 1'b0: Not supported 1'b1: Supported
21	RO	0x1	Sw_DEC_OBUFF_LEVEL Decoder output buffer level: 1'b0: 1 MB buffering is used 1'b1: 4 MB buffering is used Note: The h264 decoder will use these bits.
20	RO	0x1	Sw_REF_BUFF_EXIST Note: The h264 decoder will use these bits.
19:16	RO	0x5	Sw_DEC_BUS_STRD Note: The h264 decoder will use these bits.
15:14	RO	0x1	Sw_DEC_SYNTH_LAN Note: The h264 decoder will use these bits.
13:12	RO	0x2	Sw_DEC_BUS_WIDTH 2'd0: Error 2'd1: 32 bit bus 2'd2: 64 bit bus 2'd3: 128 bit bus Note: The h264 decoder will use these bits.

Bit	Attr	Reset Value	Description
10:0	RO	0x780	Sw_DEC_MAX_OWIDTH Max configured decoder video resolution that can be decoded. Informed as width of the picture in pixels Note: The h264 decoder will use these bits.

**VDPU\_SWREG51**

Address: Operational Base + offset (0x00cc)

Bit	Attr	Reset Value	Description
31	RW	0x0	Sw_refbu_e Refer picture buffer enable: 1'b0: Refer picture buffer disabled 1'b1: Refer picture buffer enabled. Valid if picture size is QVGA or more Note: The h264 decoder will use these bits.
30:19	RW	0x000	Sw_refbu_thr Reference buffer disable threshold value (cache miss amount). Used to buffer shut down (if more misses than allowed). Note: The h264 decoder will use these bits.
18:14	RW	0x00	Sw_refbu_pigid The used reference picture ID for reference buffer usage Note: The h264 decoder will use these bits.
13	RW	0x0	Sw_refbu_eval_e Enable for HW internal reference ID calculation. If given threshold level is reached by any picture_id after first MB row, that picture_id is used for reference buffer fill for rest of the picture. Note: The h264 decoder will use these bits.
12	RW	0x0	Sw_refbu_fparmod_e Field parity mode enable. Used in rebufferd evaluation mode 1'b0: Use the result field of the evaluation 1'b1: Use the parity mode field Note: The h264 decoder will use these bits.
11:9	RO	0x0	Reserved
8:0	RW	0x000	Sw_refbu_y_offset Y offset for rebufferd. This coordinate is used to compensate the global motion of the video for better buffer hit rate. Note: The h264 decoder will use these bits.

**VDPU\_SWREG52**

Address: Operational Base + offset (0x00d0)

Bit	Attr	Reset Value	Description
31:16	RW	0x0000	Sw_refbu_hit_sum The sum of the rebufferd hits of the picture. Determined for each 8x8 luminance partition of the picture. The proceeding of the HW calculation can be read during HW decoding. Note: The h264 decoder will use these bits.
15:0	RW	0x0000	Sw_refbu_intra_sum The sum of the luminance 8x8 intra partitons of the picture. The proceeding of the HW calculation can be read during HW decoding. Note: The h264 decoder will use these bits.

**VDPU SWREG53**

Address: Operational Base + offset (0x00d4)

Bit	Attr	Reset Value	Description
31:22	RO	0x000	Reserved
21:0	RW	0x000000	Sw_refbu_y_mv_sum The sum of the decoded motion vector y-components of the picture. The first luminance motion vector of each MB is used in calculation. Other motion vectors of the MB are discarded. Each motion vector is saturated between 256-255 before calculation. The proceeding of the HW calculation can be read during HW decoding. Note: The h264 decoder will use these bits.

**VDPU SWREG54**

Address: Operational Base + offset (0x00d8)

Bit	Attr	Reset Value	Description
31	RO	0x1	Sw_DEC_JPEG_EXTENS JPEG sampling support extension for 411 and 444 samplings and support for bigger max resolution than 16 Mpix (up to 67Mpixels): 1'b0: Not supported 1'b1: Supported
30	RO	0x1	Sw_DEC_REFBU_ILACE Rebufferd support for interlaced content: 1'b0: Not supported 1'b1: Supported Note: The h264 decoder will use these bits.
28	RO	0x0	Sw_REF_BUFF2_EXIST Reference picture buffer 2 usage: 1'b0: Not supported 1'b1: Reference buffer 2 is used Note: The h264 decoder will use these bits.

Bit	Attr	Reset Value	Description
25	RO	0x0	Sw_DEC_RTL_ROM ROM implementation type (If design includes ROMs) 1'b0: ROMs are implemented from actual ROM units 1'b1: ROMs are implemented from RTL
22	RO	0x1	Sw_DEC_AVS_PROF Decoding format support, AVS 1'b0: Not supported 1'b1: Supported
21:20	RO	0x1	Sw_DEC_MVC_PROF Decoding format support, MVC 1'b0: Not supported 1'b1: Supported
18:17	RO	0x1	Sw_DEC_TILED_L Tiled mode support level 2'd0: Not supported 2'd1: Supported with 8x4 tile size 2'd2, 2'd3: Reserved Note: The h264 decoder will use these bits.

**VDPU SWREG55**

Address: Operational Base + offset (0x00dc)

Bit	Attr	Reset Value	Description
31	RW	0x0	Sw_refbu2_buf_e Refer picture buffer 2 enable: 1'b0: Refer picture buffer disabled 1'b1: Refer picture buffer enabled. Valid if picture size is QVGA or more (can be turned off by HW if threshold value reached). Note: The h264 decoder will use these bits.
30:19	RW	0x000	Sw_refbu2_thr Reference buffer disable threshold value (buffer miss amount). Used to buffer shut down (if more misses than allowed). Note: The h264 decoder will use these bits.
18:14	RW	0x00	Sw_refbu2_pigid The used reference picture ID for reference buffer usage Note: The h264 decoder will use these bits.
13:0	RW	0x0000	Sw_apf_threshold Advanced prefetch threshold value. If current MB exceeds the threshold the advanced mode is not used. Value 0 disables threshold usage and advanced. Refetch usage is restricted by internal memory limitation only. Note: The h264 decoder will use these bits.

**VDPU SWREG56**

Address: Operational Base + offset (0x00e0)

Bit	Attr	Reset Value	Description
31:16	RW	0x0000	Sw_refbu_top_sum The sum of the top partitions of the picture Note: The h264 decoder will use these bits.
15:0	RW	0x0000	Sw_refbu_bot_sum The sum of the bottom partitions of the picture Note: The h264 decoder will use these bits.

**VDPU SWREG57 INTRA INTER**

Address: Operational Base + offset (0x00e4)

Bit	Attr	Reset Value	Description
31:15	RO	0x00000	Reserved
14:8	RO	0x00	Debug_service Service_wr[2:0], service_rd[3:0].
7	RW	0x0	Sw_cache_en 1'b1: Cache enable 1'b0: Cache disable When Sw_cache_en is 1'b1, Sw_pref_sigchan should also be 1'b1.
6	RW	0x0	Sw_pref_sigchan 1'b1: Prefetch single channel enable.
5	RW	0x0	Sw_axiwr_sel 1'b0: Auto sel encoder axi signals and decoder axi signals. 1'b1: Sel decoder axi signals (it only use to set bu_dec_e to 1'b0 in the middle of a frame).
4	RW	0x0	Sw_parallel_bus When it is set to 1'b1, the axi support read and write service parallel; when it is set to 1'b0, the axi only support read and write serial.
3	RW	0x0	Sw_intra_dbl3t In chroma dc intra prediction, when this bit is enable, there will 3 cycle enhance for every block.
2	RW	0x0	Sw_intra_dblspeed Intra double speed enable.
1	RW	0x0	Sw_inter_dblspeed Inter double speed enable.
0	RW	0x0	Sw_stream_len_hi The extension bit of Sw_stream_len.

**VDPU SWREG57**

Address: Operational Base + offset (0x00e4)

Bit	Attr	Reset Value	Description
31	RW	0x0	Fuse_dec_h264 1'b1: H.264 enabled



Bit	Attr	Reset Value	Description
30	RW	0x0	Fuse_dec_mpeg4 1'b1: MPEG-4/H.263 enabled
29	RW	0x0	Fuse_dec_mpeg2 1'b1: MPEG-2/MPEG-1 enabled N
27	RW	0x0	Fuse_dec_jpeg 1'b1: JPEG enabled
25	RW	0x0	Fuse_dec_vc1 1'b1: VC1 enabled
24	RW	0x0	Fuse_dec_pjpeg 1'b1: Progressive JPEG enabled (Requires also JPEG to be enabled)
19	RW	0x0	Fuse_dec_avs 1'b1: AVS enabled
18	RW	0x0	Fuse_dec_mvc Enabled (requires also H264 to be enabled)
17:16	RO	0x0	Reserved
15	RW	0x0	Fuse_dec_maxw_1920 1'b1: Max video width up to 1920 pixels enabled. Priority coded with priority 1.
14	RW	0x0	Fuse_dec_maxw_1280 1'b1: Max video width up to 1280 pixels enabled. Priority coded with priority 2.
13	RW	0x0	Fuse_dec_maxw_720 1'b1: Max video width up to 720 pixels enabled. Priority coded with priority 3.
12	RW	0x0	Fuse_dec_maxw_352 1'b1: Max video width up to 352 pixels enabled. Priority coded with priority 4
11:8	RO	0x0	Reserved
7	RW	0x0	Fuse_dec_refbuffer 1'b1: Reference buffer used

**VDPU SWREG58**

Address: Operational Base + offset (0x00e8)

Bit	Attr	Reset Value	Description
31	RO	0x0	Reserved
30	RO	0x0	Debug_mv_req Mvst_mv_req signal value
29	RO	0x0	Debug_rlc_req Prtr_res_y_req signal value
28	RO	0x0	Debug_res_y_req Prtr_res_y_req signal value
27	RO	0x0	Debug_res_c_req Prtr_res_c_req signal value

Bit	Attr	Reset Value	Description
26	RO	0x0	Debug_strm_da_e Strm_da_e signal value
25	RO	0x0	Debug_framerdy Dfbu_framerdy signal value
24	RO	0x0	Debug_filter_req Dfbu_req_e signal value
23	RO	0x0	Debug_referreq0 Drbu_referreq0 signal value
22	RO	0x0	Debug_referreq1 Prbu_referreq1 signal value
21	RO	0x0	Reserved
20:0	RO	0x000000	Debug_dec_mb_count HW internal MB counter value

**VDPU SWREG59**

Address: Operational Base + offset (0x00ec)

Bit	Attr	Reset Value	Description
31:2	RW	0x00000000	Sw_dec_ch8pix_base Base address for additional chrominance data format where chrominance is interleaved in group of 8 pixels. The usage is enabled by Sw_ch_8pix_ileav_e. Note: The h264 decoder will use these bits.

**VDPU SWREG60**

Address: Operational Base + offset (0x00f0)

Bit	Attr	Reset Value	Description
31:14	RO	0x00000	Reserved
13	RW	0x0	Sw_pp_bus_int Interrupt status bit bus. Error response from bus. In pipeline mode this bit is not used.
12	RW	0x0	Sw_pp_rdy_int Interrupt status bit pp. When this bit is high post processor has processed a picture in external mode. In pipeline mode this bit is not used.
11:9	RO	0x0	Reserved
8	RW	0x0	Sw_pp_irq Post-processor IRQ. SW will reset this after interrupt is handled. HINTpp is not used for pp if IRQ disable pp is high (Sw_pp_irq_n_e = 1). In pipeline mode this bit is not used.
7:5	RO	0x0	Reserved

Bit	Attr	Reset Value	Description
4	RW	0x0	Sw_pp_irq_dis Post-processor IRQ disable. When high, there are no interrupts from HW concerning post processing. Polling must be used to see the interrupt.
3:2	RO	0x0	Reserved
1	RW	0x0	Sw_pp_pipeline_e Decoder C post-processing pipeline enable: 1'b0: Post-processing is processing different picture than decoder or is disabled 1'b1: Post-processing is performed in pipeline with decoder
0	RW	0x0	Sw_pp_e External mode post-processing enable. This bit will start the post-processing operation. Not to be used if PP is in pipeline with decoder (Sw_pp_pipeline_e = 1). HW will reset this when picture is post-processed.

**VDPU\_SWREG61**

Address: Operational Base + offset (0x00f4)

Bit	Attr	Reset Value	Description
31:24	RW	0x01	Sw_pp_axi_rd_id Read ID used for AXI PP read services (if connected to AXI)
23:16	RW	0x01	Sw_pp_axi_wr_id Write ID used for AXI PP write services (if connected to AXI)
15	RO	0x0	Reserved
14	RW	0x0	Sw_pp_scmd_dis AXI Single Command Multiple Data disable.
13	RW	0x0	Sw_pp_in_a2_endsel Endian/swap select for Alpha blend input source 2: 1'b0: Use PP in endian/swap definitions (Sw_pp_in_endian, Sw_pp_in_swap) 1'b1: Use Ablend source 1 endian/swap definitions
12	RW	0x0	Sw_pp_in_a1_swap32 Alpha blend source 1 input 32bit data swap (may be used for 64 bit environment): 1'b0: No swapping of 32 bit words 1'b1: 32 bit data words are swapped (needed in 64 bit environment to achieve 7-6-5-4-3-2-1-0 byte order(also little endian should be enabled))
11	RW	0x0	Sw_pp_in_a1_endian Alpha blend source 1 input data byte endian mode. 1'b0: Big endian (0-1-2-3 order) 1'b1: Little endian (3-2-1-0 order)

Bit	Attr	Reset Value	Description
10	RW	0x0	Sw_pp_in_swap32_e PP input 32bit data swap (may be used for 64 bit environment): 1'b0: No swapping of 32 bit words 1'b1: 32 bit data words are swapped (needed in 64 bit environment to achieve 7-6-5-4-3-2-1-0 byte order(also little endian should be enabled))
9	RW	0x0	Sw_pp_data_disc_e PP data discard enable. Precise burst lengths are used with reading services. Extra data is discarded internally.
8	RW	0x1	Sw_pp_clkgate_e PP dynamic clock gating enable: 1'b1: Clock is gated from PP structures that are not used 1'b0: Clock is running for all PP structures Note: Clock gating value can be changed only when PP is not enabled
7	RW	0x0	Sw_pp_in_endian PP input picture byte endian mode. Used only if PP is in standalone mode. If PP is running pipelined with the decoder, this bit has no effect. 1'b0: Big endian (0-1-2-3 order) 1'b1: Little endian (3-2-1-0 order)
6	RW	0x0	Sw_pp_out_endian PP output picture endian mode for YCbCr data or for any data if config value Sw_PP_OEN_VERSION=1 1'b0: Big endian (0-1-2-3 order) 1'b1: Little endian (3-2-1-0 order) Note: For Sw_PP_OEN_VERSION=0, 16 bit RGB data this bit works as pixel swapping bit. For 32 bit RGB this bit has no meaning.
5	RW	0x0	Sw_pp_out_swap32_e PP output data word swap (may be used for 64 bit environment): 1'b0: No swapping of 32 bit words 1'b1: 32 bit data words are swapped (needed in 64 bit environment to achieve 7-6-5-4-3-2-1-0 byte order (also little endian should be enabled)).
4:0	RW	0x00	Sw_pp_max_burst Maximum burst length for PP bus transactions. 1-16

**VDPU SWREG62**

Address: Operational Base + offset (0x00f8)

Bit	Attr	Reset Value	Description
31	RW	0x0	Sw_deint_e De-interlace enable. Input data is in interlaced format and deinterlacing needs to be performed.
30	RO	0x0	Reserved
29:16	RW	0x0000	Sw_deint_threshold Threshold value used in deinterlacing.

Bit	Attr	Reset Value	Description
15	RW	0x0	Sw_deint_blend_e Blend enable for deinterlacing.
14:0	RW	0x0000	Sw_deint_edge_det Edge detect value used for deinterlacing.

**VDPU SWREG63**

Address: Operational Base + offset (0x00fc)

Bit	Attr	Reset Value	Description
31:2	RW	0x00000000	Sw_pp_in_lu_base Base address for post-processing input luminance picture. If PP input picture is fetched from fields this base address is used to point to topfield of the picture. Used in external mode only.

**VDPU SWREG64**

Address: Operational Base + offset (0x0100)

Bit	Attr	Reset Value	Description
31:2	RW	0x00000000	Sw_pp_in_cb_base Base address for post-processing input Cb picture or for both chrominance pictures (if chrominances interleaved). If PP input picture is fetched from fields this base address is used to point to topfield of the picture. Used in external mode only.

**VDPU SWREG65**

Address: Operational Base + offset (0x0104)

Bit	Attr	Reset Value	Description
31:2	RW	0x00000000	Sw_pp_in_cr_base Base address for post-processing input cr picture. Used in external mode only.

**VDPU SWREG66**

Address: Operational Base + offset (0x0108)

Bit	Attr	Reset Value	Description
31:0	RW	0x00000000	Sw_pp_out_lu_base Base address for post-processing output picture (luminance/YUYV/RGB).

**VDPU SWREG67**

Address: Operational Base + offset (0x010c)

Bit	Attr	Reset Value	Description
31:0	RW	0x00000000	Sw_pp_out_ch_base Base address for post-processing output chrominance picture (interleaved chrominance).

**VDPU SWREG68**

Address: Operational Base + offset (0x0110)

Bit	Attr	Reset Value	Description
31:24	RW	0x00	Sw_contrast_thr1 Threshold value 1, used with contrast adjusting.
23:20	RO	0x0	Reserved
19:10	RW	0x000	Sw_contrast_off2 Offset value 2, used with contrast adjusting.
9:0	RW	0x000	Sw_contrast_off1 Offset value 1, used with contrast adjusting.

**VDPU SWREG69**

Address: Operational Base + offset (0x0114)

Bit	Attr	Reset Value	Description
31	RW	0x0	Sw_pp_in_start_ch For YUYV 422 input format. Enable for start_with_chrominance. 1'b0: The order is Y0CbY0Cr or Y0CrY0Cb 1'b1: The order is CbY0CrY0 or CrY0CbY0
30	RW	0x0	Sw_pp_in_cr_first For YUYV 422 input format and YCbCr 420 semiplanar format. Enable for Cr first (before Cb) 1'b0: The order is Y0CbY0Cr or CbY0CrY0 (if 420 semiplanar chrominance: CbCrCbCr) 1'b1: The order is Y0CrY0Cb or CrY0CbY0 (if 420 semiplanar chrominance: CrCbCrCb)
29	RW	0x0	Sw_pp_out_start_ch For YUYV 422 output format. Enable for start_with_chrominance. 1'b0: The order is Y0CbY0Cr or Y0CrY0Cb 1'b1: The order is CbY0CrY0 or CrY0CbY0
28	RW	0x0	Sw_pp_out_cr_first For YUYV 422 output format. Enable for Cr first (before Cb) 1'b0: The order is Y0CbY0Cr or CbY0CrY0 1'b1: The order is Y0CrY0Cb or CrY0CbY0
27:18	RW	0x000	Sw_color_coefa2 Coefficient a2, used with Y pixel to calculate all color components.
17:8	RW	0x000	Sw_color_coefa1 Coefficient a1, used with Y pixel to calculate all color components.

Bit	Attr	Reset Value	Description
7:0	RW	0x00	Sw_contrast_thr2 Threshold value 2, used with contrast adjusting.

**VDPU SWREG70**

Address: Operational Base + offset (0x0118)

Bit	Attr	Reset Value	Description
31:30	RO	0x0	Reserved
29:20	RW	0x000	Sw_color_coeffd Coefficient d, used with Cb to calculate green component value.
19:10	RW	0x000	Sw_color_coeffc Coefficient c, used with Cr to calculate green component value.
9:0	RW	0x000	Sw_color_coeffb Coefficient b, used with Cr to calculate red component value.

**VDPU SWREG71**

Address: Operational Base + offset (0x011c)

Bit	Attr	Reset Value	Description
31:30	RO	0x0	Reserved
29:21	RW	0x000	Sw_crop_startx Start coordinate x for the cropped area in macroblocks.
20:18	RW	0x0	Sw_rotation_mode Rotation mode: 3'b000: Rotation disabled 3'b001: Rotate + 90 3'b010: Rotate C 90 3'b011: Horizontal flip (mirror) 3'b100: Vertical flip 3'b101: Rotate 180
17:10	RW	0x00	Sw_color_coefff Coefficient f, used with Y to adjust brightness.
9:0	RW	0x000	Sw_color_coeffe Coefficient e, used with Cb to calculate blue component value.

**VDPU SWREG72**

Address: Operational Base + offset (0x0120)

Bit	Attr	Reset Value	Description
31:24	RW	0x00	Sw_crop_starty Start coordinate y for the cropped area in macroblocks.

Bit	Attr	Reset Value	Description
23	RO	0x0	Reserved
22:18	RW	0x00	Sw_rangemap_coef_y Range map value for Y component (RANGE_MAPY+9 in VC-1 standard).
17	RO	0x0	Reserved
16:9	RW	0x00	Sw_pp_in_height PP input picture height in MBs. Can be cropped from a bigger input picture in external mode.
8:0	RW	0x000	Sw_pp_in_width PP input picture width in MBs. Can be cropped from a bigger input picture in external mode.

**VDPU SWREG73**

Address: Operational Base + offset (0x0124)

Bit	Attr	Reset Value	Description
31:2	RW	0x00000000	Sw_pp_bot_yin_base PP input Y base for bottom field.

**VDPU SWREG74**

Address: Operational Base + offset (0x0128)

Bit	Attr	Reset Value	Description
31:2	RW	0x00000000	Sw_pp_bot_cin_base PP input C base for bottom field (mixed chrominance).

**VDPU SWREG79**

Address: Operational Base + offset (0x013c)

Bit	Attr	Reset Value	Description
31	RW	0x0	Sw_rangemap_y_e Range map enable for Y component (RANGE_MAPY_FLAG in VC-1 standard). For VC1 main profile this bit is used as range expansion enable.
30	RW	0x0	Sw_rangemap_c_e Range map enable for chrominance component (RANGE_MAPUV_FLAG in VC-1 standard).
29	RW	0x0	Sw_ycbcr_range Defines the YCbCr range in RGB conversion: 1'b0: 16 --> 235 for Y, 16 --> 240 for Chrominance 1'b1: 0 --> 255 for all components



Bit	Attr	Reset Value	Description
28	RW	0x0	Sw_rgb_pix_in32 RGB pixel amount/ 32 bit word 1'b0: 1 RGB pixel/32 bit 1'b1: 2 RGB pixels/32 bit
27:23	RW	0x00	Sw_rgb_r_padd Amount of ones that will be padded in front of the R-component.
22:18	RW	0x00	Sw_rgb_g_padd Amount of ones that will be padded in front of the G-component.
17:0	RW	0x00000	Sw_scale_wratio Scaling ratio for width (outputw-1/inputw-1)

**VDPU SWREG80**

Address: Operational Base + offset (0x0140)

Bit	Attr	Reset Value	Description
31	RO	0x0	Reserved
30	RW	0x0	Sw_pp_fast_scale_e 1'b0: Fast downscaling is not enabled. 1'b1: Fast downscaling is enabled. The quality of the picture is decreased but performance is improved.
29:27	RW	0x0	Sw_pp_in_struct PP input data picture structure: 3'd0: Top field / progressive frame structure: Read input data from top field base address /frame base address and read every line. 3'd1: Bottom field structure: Read input data from bottom field base address and read every line. 3'd2: Interlaced field structure: Read input data from both top and bottom field base address and take every line from each field. 3'd3: Interlaced frame structure: Read input data from both top and bottom field base address and take every second line from each field. 3'd4: Ripped top field structure: Read input data from top field base address and read every second line. 3'd5: Ripped bottom field structure: Read input data from bottom field base address and read every second line
26:25	RW	0x0	Sw_hor_scale_mode Horizontal scaling mode: 2'b00: Off 2'b01: Upscale 2'b10: Downscale
24:23	RW	0x0	Sw_ver_scale_mode Vertical scaling mode: 2'b00: Off 2'b01: Upscale 2'b10: Downscale
22:18	RW	0x00	Sw_rgb_b_padd Amount of ones that will be padded in front of the B-component.

Bit	Attr	Reset Value	Description
17:0	RW	0x00000	Sw_scale_hratio Scaling ratio for height (outputh-1/inputh-1) .

**VDPU SWREG81**

Address: Operational Base + offset (0x0144)

Bit	Attr	Reset Value	Description
31:16	RW	0x0000	Sw_wsacle_invra Inverse scaling ratio for width, or ch (inputw-1 / outputw-1)
15:0	RW	0x0000	Sw_hscale_invra Inverse scaling ratio for height or cv (inputh-1 / outputh-1)

**VDPU SWREG82**

Address: Operational Base + offset (0x0148)

Bit	Attr	Reset Value	Description
31:0	RW	0x00000000	Sw_r_mask Bit mask for R component (and alpha channel)

**VDPU SWREG83**

Address: Operational Base + offset (0x014c)

Bit	Attr	Reset Value	Description
31:0	RW	0x00000000	Sw_g_mask Bit mask for G component (and alpha channel)

**VDPU SWREG84**

Address: Operational Base + offset (0x0150)

Bit	Attr	Reset Value	Description
31:0	RW	0x00000000	Sw_b_mask Bit mask for B component (and alpha channel)

**VDPU SWREG85**

Address: Operational Base + offset (0x0154)

Bit	Attr	Reset Value	Description
31:29	RW	0x0	Sw_pp_in_format PP input picture data format 3'd0: YUYV 4:2:2 interleaved (supported only in external mode) 3'd1: YCbCr 4:2:0 Semi-planar in linear raster-scan format 3'd2: YCbCr 4:2:0 planar (supported only in external mode) 3'd3: YCbCr 4:0:0 (supported only in pipelined mode) 3'd4: YCbCr 4:2:2 Semi-planar (supported only in pipelined mode) 3'd5: YCbCr 4:2:0 Semi-planar in tiled format (supported only in 3'dexternal mode (8170 decoder only) 3'd6: YCbCr 4:4:0 Semi-planar (supported only in pipelined mode, possible for jpeg only) 3'd7: Escape pp input data format. Defined in swreg86
28:26	RW	0x0	Sw_pp_out_format PP output picture data format: 3'd0: RGB 3'd1: YCbCr 4:2:0 planar (Not supported) 3'd2: YCbCr 4:2:2 planar (Not supported) 3'd3: YUYV 4:2:2 interleaved 3'd4: YCbCr 4:4:4 planar (Not supported) 3'd5: YCh 4:2:0 chrominance interleaved 3'd6: YCh 4:2:2 (Not supported) 3'd7: YCh 4:4:4 (Not supported)
25:15	RW	0x000	Sw_pp_out_height Scaled picture height in pixels (Must be dividable by 2 or by any if Pixel Accurate PP output configuration is enabled) Max scaled picture height is 1920 pixels or maximum three times the input source height minus 8 pixels.
14:4	RW	0x000	Sw_pp_out_width Scaled picture width in pixels. Must be dividable by 8 or by any if Pixel Accurate PP output configuration is enabled. Max scaled picture width is 1920 pixels or maximum three times the input source width minus 8 pixels.
3	RW	0x0	Sw_pp_out_tiled_e Tiled mode enable for PP output. Can be used only for YCbYCr 422 output format. Can be used only if correponding configuration supports this feature. Tile size is 4x4 pixels.
2	RW	0x0	Sw_pp_out_swap16_e PP output swap 16 swaps 16 bit halves inside of 32 bit word. Can be used for 16 bit RGB to change pixel orders but is valid also for any output format. Note: requires that configuration of Sw_PPD_OEN_VERSION=1.
1	RW	0x0	Sw_pp_crop8_r_e PP input picture width is not 16 pixels multiple. Only 8 pixels of the most right MB of the un-rotated input picture is used for PP input.
0	RW	0x0	Sw_pp_crop8_d_e PP input picture height is not 16 pixels multiple. Only 8 pixel rows of the most down MB of the un-rotated input picture is used for PP input.

**VDPU SWREG86**

## ***RK3588 TRM-Part1***

Address: Operational Base + offset (0x0158)

<b>Bit</b>	<b>Attr</b>	<b>Reset Value</b>	<b>Description</b>
31:29	RW	0x0	Sw_pp_in_format_es Escape PP in format. Used if Sw_pp_in_format is defined to 7: 0 1'b0: YCbCr 4:4:4 1'b1: YCbCr 4:1:1
28	RO	0x0	Reserved
27:23	RW	0x00	Sw_rangemap_coef_c Range map value for chrominance component (RANGE_MAPUV+9 in VC-1 standard).
22	RW	0x0	Sw_mask1_ablend_e Mask 1 alpha blending enable. Instead of masking the output picture the alpha blending is performed. Alpha blending source can be found from alpha blend 1 base address. Alpha blending can be enabled only for RGB/ YUYV 422 data.
21:11	RW	0x000	Sw_mask1_starty Vertical start pixel for mask area 1. Defines the y coordinate. Coordinate 0,0 means the up-left corner in PP output luminance picture. See Table 47 for restrictions.
10:0	RW	0x000	Sw_mask1_startix Horizontal start pixel for mask area 1. Defines the x coordinate. Coordinate 0,0 means the up-left corner in PP output luminance picture. See Table 47 for restrictions.

## **VDPU SWREG87**

Address: Operational Base + offset (0x015c)

<b>Bit</b>	<b>Attr</b>	<b>Reset Value</b>	<b>Description</b>
31:23	RO	0x000	Reserved
22	RW	0x0	Sw_mask2_ablend_e Mask 2 alpha blending enable. Instead of masking the output picture the alpha blending is performed. Alpha blending source can be found from alpha blend 2 base address. Alpha blending can be enabled only for RGB/YUYV 422 data.
21:11	RW	0x000	Sw_mask_starty Vertical start pixel for mask area 2. Defines the y coordinate. Coordinate 0,0 means the up-left corner in PP output Y picture. See Table 47 for restrictions.
10:0	RW	0x000	Sw_mask2_startx Horizontal start pixel for mask area 2. Defines the x coordinate. Coordinate 0,0 means the up-left corner in PP output Y picture. See Table 47 for restrictions.

## **VDPU SWREG88**

Address: Operational Base + offset (0x0160)

Bit	Attr	Reset Value	Description
31:23	RW	0x000	Sw_ext_orig_width PP input picture original width in macro blocks.
22	RW	0x0	Sw_mask1_e Mask 1 enable. If mask 1 is used this bit is high.
21:11	RW	0x000	Sw_mask1_endy Mask 1 end coordinate y in pixels (inside of PPD output picture). Range must be between [Mask1StartCoordinateY, ScaledHeight].
10:0	RW	0x000	Sw_mask1_endx Mask 1 end coordinate x in pixels (inside of PPD output picture). Range must be between [Mask1StartCoordinateX, ScaledWidth].

**VDPU SWREG89**

Address: Operational Base + offset (0x0164)

Bit	Attr	Reset Value	Description
31:23	RO	0x000	Reserved
22	RW	0x0	Sw_mask2_e Mask 2 enable. If mask 1 is used this bit is high.
21:11	RW	0x000	Sw_mask2_endy Mask 2 end coordinate y in pixels (inside of PP output picture). Range must be between [Mask2StartCoordinateY,ScaledHeight].
10:0	RW	0x000	Sw_mask2_endx Mask 2 end coordinate x in pixels (inside of PP output picture). Range must be between [Mask2StartCoordinateX,ScaledWidth].

**VDPU SWREG90**

Address: Operational Base + offset (0x0168)

Bit	Attr	Reset Value	Description
31:30	RO	0x0	Reserved
29	RW	0x0	Sw_right_cross_e Right side overcross enable. 1'b0: No right side overcross. 1'b1: Right side overcross.
28	RW	0x0	Sw_left_cross_e Left side overcross enable. 1'b0: No left side overcross. 1'b1: Left side overcross.
27	RW	0x0	Sw_up_cross_e Upward overcross enable. 1'b0: No upward overcross. 1'b1: Upward overcross.

Bit	Attr	Reset Value	Description
26	RW	0x0	Sw_down_cross_e Downward overcross enable. 1'b0: No downward overcross. 1'b1: Downward overcross.
25:15	RW	0x000	Sw_up_cross Amount of upward overcross (vertical pixels outside of display from the upper side). Range must be between [0, ScaledHeight].
14:11	RO	0x0	Reserved
10:0	RW	0x000	Sw_down_cross Amount of downward overcross (vertical pixels outside of display from the down side). Range must be between [0, ScaledHeight].

**VDPU SWREG91**

Address: Operational Base + offset (0x016c)

Bit	Attr	Reset Value	Description
31:30	RW	0x0	Sw_dither_select_r Dithering control for R channel: 2'b00: Dithering disabled 2'b01: Use four-bit dither matrix 2'b10: Use five-bit dither matrix 2'b11: Use six-bit dither matrix
29:28	RW	0x0	Sw_dither_select_g Dithering control for G channel: 2'b00: Dithering disabled 2'b01: Use four-bit dither matrix 2'b10: Use five-bit dither matrix 2'b11: Use six-bit dither matrix
27:26	RW	0x0	Sw_dither_select_b Dithering control for B channel: 2'b00: Dithering disabled 2'b01: Use four-bit dither matrix 2'b10: Use five-bit dither matrix 2'b11: Use six-bit dither matrix
25:24	RO	0x0	Reserved
23:22	RW	0x0	Sw_pp_tiled_mode Input data is in tiled mode (at the moment valid only for YCbCr 420 data, pipeline or external mode): 2'b00: Tiled mode not used 2'b01: Tiled mode enabled for 8x4 sized tiles 2'b10, 2'b11: Reserved
21:11	RW	0x000	Sw_right_cross Amount of right side overcross (Horizontal pixels outside of display from the right side). Range must be between [0, ScaledWidth].
10:0	RW	0x000	Sw_left_cross Amount of left side overcross (Horizontal pixels outside of display from the left side). Range must be between [0, ScaledWidth].

**VDPU SWREG92**

Address: Operational Base + offset (0x0170)

Bit	Attr	Reset Value	Description
31:29	RW	0x0	Sw_pp_in_h_ext Extended PP input height. Used with JPEG.
28:26	RW	0x0	Sw_pp_in_w_ext Extended PP input width. Used with JPEG.
25:23	RW	0x0	Sw_crop_starty_ext Extended PP input crop start coordinate x. Used with JPEG.
22:20	RW	0x0	Sw_crop_start_ext Extended PP input crop start coordinate y. Used with JPEG.
19:12	RO	0x00	Reserved
11:0	RW	0x000	Sw_display_width Width of the display in pixels. Max HDTV (1920).

**VDPU SWREG93**

Address: Operational Base + offset (0x0174)

Bit	Attr	Reset Value	Description
31:0	RW	0x00000000	Sw_abledn1_base Base address for alpha blending input 1 (if mask1 is used in alpha blending mode). Format of data is 24 bit RGB/ YCbCr and endian/swap -mode is as in PP input. Amount of data is informed with mask 1 size or with abledn1_scanline if abledn cropping is supported in configuration.

**VDPU SWREG94**

Address: Operational Base + offset (0x0178)

Bit	Attr	Reset Value	Description
31:0	RW	0x00000000	Sw_ablend2_base Base address for alpha blending input 2 (if mask2 is used in alpha blending mode). Format of data is 24 bit RGB/ YCbCr and endian/swap -mode is as in PP input. Amount of data is informed with mask 2 size or with ablend2_scanline if ablend cropping is supported in configuration.

**VDPU SWREG95**

Address: Operational Base + offset (0x017c)

Bit	Attr	Reset Value	Description
31:26	RO	0x00	Reserved
25:13	RW	0x0000	Sw_ablend2_scan Scanline width in pixels for Ablend 2. Usage enabled if corresponding configuration bit is enabled.
12:0	RW	0x0000	Sw_ablend1_scan Scanline width in pixels for Ablend 1. Usage enabled if corresponding configuration bit is enabled.

**VDPU SWREG98**

Address: Operational Base + offset (0x0188)

Bit	Attr	Reset Value	Description
31:2	RO	0x00000000	Reserved
1	RW	0x0	Sw_pp_out_h_ext PP output heightextension.
0	RW	0x0	Sw_pp_out_w_ext PP output widthextension.

**VDPU SWREG99**

Address: Operational Base + offset (0x018c)

Bit	Attr	Reset Value	Description
31	RO	0x1	Fuse_pp_pp 1'b1: PP enabled.
30	RO	0x1	Fuse_pp_deint 1'b1: Deinterlacing enabled.
29	RO	0x1	Fuse_pp_ablend 1'b1: Alpha Blending enabled.
28:16	RO	0x0000	Reserved
15	RO	0x1	Fuse_pp_maxw_1920 1'b1: Max PP output width up to 1920 pixels enabled. Priority coded with priority 1.
14	RO	0x1	Fuse_pp_maxw_1280 1'b1: Max PP output width up to 1280 pixels enabled. Priority coded with priority 2.
13	RO	0x1	Fuse_pp_maxw_720 1'b1: Max PP output width up to 720 pixels enabled. Priority coded with priority 3.
12	RO	0x1	Fuse_pp_maxw_352 1'b1: Max PP output width up to 352 pixels enabled. Priority coded with priority 4.



**VDPU SWREG100**

Address: Operational Base + offset (0x0190)

Bit	Attr	Reset Value	Description
31	RO	0x1	SW_ABLEND_CROP_E Alpha blending support for input cropping: 1'b0: Not supported. External memory must include the exact image of the area being alpha blended. 1'b1: Supported. External memory can include a picture from blended area can be cropped. Requires usage of swreg95.
30	RO	0x1	SW_PPD_PIXAC_E Pixel Accurate PP output mode exists: 1'b0: PIP, Scaling and masks can be adjusted by steps of 8 pixels (width) or 2 pixels (height). 1'b1: PIP, Scaling and masks can be adjusted by steps of 1 pixel for RGB and 2 pixels for subsampled chroma formats (by using bus specific write strobe functionality).
29	RO	0x1	SW_PPD_TILED_EXIST PP output YCbYCr 422 tiled support (4x4 pixel tiles) 1'b0: Not supported 1'b1: Supported
28	RO	0x1	SW_PPD_DITH_EXIST Dithering exists: 1'b0: No 1'b1: Yes
27:26	RO	0x3	SW_PPD_SCALE_LEVEL Scaling support: 2'b00: No scaling 2'b01: Scaling with lo performance architecture 2'b10: Scaling with high performance architecture 2'b11: Scaling with high performance architecture + fast
25	RO	0x1	SW_PPD_DEINT_EXIST De-interlacing exists: 1'b0: No 1'b1: Yes
24	RO	0x1	SW_PPD_BLEND_EXIST Alpha blending exists: 1'b0: No 1'b1: Yes
23	RO	0x1	SW_PPD_IBUFF_LEVEL PP input buffering level: 1'b0: 1 MB input buffering is used 1'b1: 4 MB input buffering is used
22:19	RO	0x0	Reserved
18	RO	0x1	SW_PPD_OEN_VERSION PP output endian version: 1'b0: Endian mode supported for other than RGB 1'b1: Endian mode supported for any output format
17	RO	0x1	SW_PPD_OBUFF_LEVEL PP output buffering level: 1'b0: 1 unit output buffering is used 1'b1: 4 unit output buffering is used

Bit	Attr	Reset Value	Description
16	RO	0x1	SW_PPD_PP_EXIST PPD exists: 1'b0: No 1'b1: Yes
15:14	RO	0x1	SW_PPD_IN_TILED_L PPD input tiled mode support level 1'b0: Not supported 1'b1: 8x4 tile size supported
13:11	RO	0x0	Reserved
10:0	RO	0x780	SW_PPD_MAX_OWIDTH Max supported PP output width in pixels

**VDPU SWREG101**

Address: Operational Base + offset (0x0194)

Bit	Attr	Reset Value	Description
31:1	RO	0x00000000	Reserved
0	RW	0x0	Sw_soft_reset Softreset pulse signal Write to 1'b1, valid; Write to 1'b0, invalid;

**VDPU SWREG102**

Address: Operational Base + offset (0x0198)

Bit	Attr	Reset Value	Description
31:0	RW	0x00000000	Vpu_work_cycle Write initial/reset value in the begin of frame start, then will auto count base this value.

**VDPU SWREG103**

Address: Operational Base + offset (0x019c)

Bit	Attr	Reset Value	Description
31:0	RW	0x00000000	Sw_axi_ddr_rdata Axi ddr rdata num, the unit is byte.

**VDPU SWREG104**

Address: Operational Base + offset (0x01a0)

Bit	Attr	Reset Value	Description
31:1	RO	0x00000000	Reserved
0	RW	0x0	Sw_axi_ddr_wdata Vdpu write data byte num

**VDPU SWREG105**

Address: Operational Base + offset (0x01a4)

Bit	Attr	Reset Value	Description
31:20	RO	0x000	Reserved
19:16	RW	0x0	Mon_sig_sel1 Select the counter be used for which to calculate cycle num 4'b0000: Don't work. 4'b0001: Mv buffer hold back stream decode working cycles 4'b0010: The output fifo of cabac keep full cycles. 4'b0011: The Code stream parsing block working cycles. 4'b0100: Scd block can't write data to scd buffer cycles. 4'b0101: The speed of reconsitution and interpolation fast than reference frames fetch cycles. 4'b0110: The speed of reconsitution and interpolation slow than reference frames fetch cycles. 4'b0111: The cycles filter block hold back pred block. 4'b1000: The cycles of pred block waiting for Residual data. 4'b1001: The cycles of bus Related modules working.
15:4	RO	0x000	Reserved
3:0	RW	0x0	Mon_sig_sel0 Select the counter be used for which to calculate cycle num 4'b0000: Don't work. 4'b0001: Mv buffer hold back stream decode working cycles. 4'b0010: The output fifo of cabac keep full cycles. 4'b0011: The Code stream parsing block working cycles. 4'b0100: Scd block can't write data to scd buffer cycles. 4'b0101: The speed of reconsitution and interpolation fast than reference frames fetch cycles. 4'b0110: The speed of reconsitution and interpolation slow than reference frames fetch cycles. 4'b0111: The cycles filter block hold back pred block. 4'b1000: The cycles of pred block waiting for Residual data. 4'b1001: The cycles of bus Related modules working.

**VDPU SWREG106**

Address: Operational Base + offset (0x01a8)

Bit	Attr	Reset Value	Description
31:0	RW	0x00000000	Performance_mon_cnt0 The counter for the selected signal valid cycles which describe in swreg105[3:0]. Write initial/reset value

### **VDPU\_SWREG107**

Address: Operational Base + offset (0x01ac)

Bit	Attr	Reset Value	Description
31:0	RW	0x00000000	Performance_mon_cnt1 The counter for the selected signal valid cycles which describe in swreg105[19:16] Write initial/reset value.

### **5.5.4 VDPU121 CACHE Registers Summary**

Name	Offset	Size	Reset Value	Description
<u>PREF_CACHE_VERSION</u>	0x0000	W	0xcac20101	VERSION register
<u>PREF_CACHE_SIZE</u>	0x0004	W	0x06110206	L2 cache SIZE
<u>PREF_CACHE_STATUS</u>	0x0008	W	0x00000000	Status register
<u>PREF_CACHE_COMMAND</u>	0x0010	W	0x00000000	Command setting register
<u>PREF_CACHE_CLEAR_PAGE</u>	0x0014	W	0x00000000	Clear page register
<u>PREF_CACHE_MAX_READS</u>	0x0018	W	0x0000001c	Maximum read register
<u>PREF_CACHE_PERFCNT_SRC0</u>	0x0020	W	0x00000000	Performance counter 0 source register
<u>PREF_CACHE_PERFCNT_VAL0</u>	0x0024	W	0x00000000	Performance counter 0 value register
<u>PREF_CACHE_PERFCNT_SRC1</u>	0x0028	W	0x00000000	This register holds all the possible source values for Performance Counter 00: total clock cycles1: active clock cycles2: read transactions, master3: word reads, master4: read transactions, slave5: word reads, slave6: read hit, slave7: read misses, slave8: read invalidates, slave9: cacheable read transactions, slave10: bad hit number, slave
<u>PREF_CACHE_PERFCNT_VAL1</u>	0x002c	W	0x00000000	Performance counter 1 value register

Notes: **Size:** **B**- Byte (8 bits) access, **HW**- Half WORD (16 bits) access, **W**-WORD (32 bits) access

### 5.5.5 VDPUI21 CACHE Detail Register Description

#### PREF CACHE VERSION

Address: Operational Base + offset (0x0000)

Bit	Attr	Reset Value	Description
31:16	RO	0xcac2	product_id Product id
15:8	RO	0x01	version_major Version major
7:0	RO	0x01	version_minor Version minor

#### PREF CACHE SIZE

Address: Operational Base + offset (0x0004)

Bit	Attr	Reset Value	Description
31:24	RO	0x06	external_bus_width Log2 external bus width in bits
23:16	RO	0x11	cache_size Log2 cache size in bytes
15:8	RO	0x02	associativity Log2 associativity
7:0	RO	0x06	line_size Log2 line size in bytes

#### PREF CACHE STATUS

Address: Operational Base + offset (0x0008)

Bit	Attr	Reset Value	Description
31:2	RO	0x0	Reserved
1	RO	0x0	data_busy Set when the cache is busy handling data
0	RO	0x0	cmd_busy Set when the cache is busy handling commands

#### PREF CACHE COMMAND

Address: Operational Base + offset (0x0010)

Bit	Attr	Reset Value	Description
31:6	RO	0x0	Reserved
5:4	RW	0x0	sw_addrb_sel 2'b00: To sel b[14:6] 2'b01: To sel b[15:9], b[7:6] 2'b10: To sel b[16:10], b[7:6] 2'b11: To sel b[17:11], b[7:6]
3	RO	0x0	reserved

**RK3588 TRM-Part1**

Bit	Attr	Reset Value	Description
2:0	WO	0x0	command The possible command is 1'b1: Clear entire cache

**PREF CACHE CLEAR PAGE**

Address: Operational Base + offset (0x0014)

Bit	Attr	Reset Value	Description
31:0	WO	0x00000000	clear_page Writing an address, invalidates all lines in that page from the cache.

**PREF CACHE MAX READS**

Address: Operational Base + offset (0x0018)

Bit	Attr	Reset Value	Description
31:5	RO	0x0	Reserved
4:0	RW	0x1c	max_reads Limit the number of outstanding read transactions to this amount.

**PREF CACHE PERFCNT SRC0**

Address: Operational Base + offset (0x0020)

Bit	Attr	Reset Value	Description
31:4	RO	0x0	Reserved
3:0	RW	0x0	perfcnt_src0 This register holds all the possible source values for Performance Counter 0. 4'd0: Total clock cycles 4'd1: Active clock cycles 4'd2: Read transactions, master 4'd3: Word reads, master 4'd4: Read transactions, slave 4'd5: Word reads, slave 4'd6: Read hit, slave 4'd7: Read misses, slave 4'd8: Read invalidates, slave 4'd9: Cacheable read transactions, slave 4'd10: Bad hit number, slave

**PREF CACHE PERFCNT VAL0**

Address: Operational Base + offset (0x0024)

Bit	Attr	Reset Value	Description
31:0	RW	0x00000000	perfcnt_val0 Performance counter 0 value.

**PREF CACHE PERFCNT SRC1**

Address: Operational Base + offset (0x0028)

Bit	Attr	Reset Value	Description
31:4	RO	0x0	reserved
3:0	RW	0x0	perfcnt_src1 This register holds all the possible source values for Performance Counter 1. 4'd0: Total clock cycles 4'd1: Active clock cycles 4'd2: Read transactions, master 4'd3: Word reads, master 4'd4: Read transactions, slave 4'd5: Word reads, slave 4'd6: Read hit, slave 4'd7: Read misses, slave 4'd8: Read invalidates, slave 4'd9: Cacheable read transactions, slave 4'd10: Bad hit number, slave

**PREF CACHE PERFCNT VAL1**

Address: Operational Base + offset (0x002c)

Bit	Attr	Reset Value	Description
31:0	RW	0x00000000	perfcnt_val1 Performance counter 1 value.

**5.5.6 VEPU121 MMU Registers Summary**

Name	Offset	Size	Reset Value	Description
<u>VCODEC MMU DTE ADDR</u>	0x0000	W	0x00000000	MMU current page Table address. It is only can be written when MMU state is disable or page fault or mmu enable stall state
<u>VCODEC MMU STATUS</u>	0x0004	W	0x00000018	MMU status register
<u>VCODEC MMU COMMAND</u>	0x0008	W	0x00000000	MMU command register
<u>VCODEC MMU PAGE FAULT ADDR</u>	0x000c	W	0x00000000	MMU logical address of last page fault
<u>VCODEC MMU ZAP ONE LINE</u>	0x0010	W	0x00000000	MMU Zap cache line register
<u>VCODEC MMU INT RAWSTAT</u>	0x0014	W	0x00000000	MMU raw interrupt status register

<b>Name</b>	<b>Offset</b>	<b>Size</b>	<b>Reset Value</b>	<b>Description</b>
<u>VCODEC MMU INT CLEAR</u>	0x0018	W	0x00000000	MMU raw interrupt status register
<u>VCODEC MMU INT MASK</u>	0x001c	W	0x00000000	MMU raw interrupt status register
<u>VCODEC MMU INT STATUS</u>	0x0020	W	0x00000000	MMU raw interrupt status register
<u>VCODEC MMU AUTO GATING</u>	0x0024	W	0x00000001	mmu auto gating

Notes: Size: **B**- Byte (8 bits) access, **HW**- Half WORD (16 bits) access, **W**-WORD (32 bits) access

### 5.5.7 VDP121 MMU Registers Summary

<b>Name</b>	<b>Offset</b>	<b>Size</b>	<b>Reset Value</b>	<b>Description</b>
<u>VCODEC MMU DTE_ADDR</u>	0x0000	W	0x00000000	MMU current page Table address. It is only can be written when MMU state is disable or page fault or mmu enable stall state
<u>VCODEC MMU STATUS</u>	0x0004	W	0x00000018	MMU status register
<u>VCODEC MMU COMMAND</u>	0x0008	W	0x00000000	MMU command register
<u>VCODEC MMU PAGE_FAULT_ADDR</u>	0x000c	W	0x00000000	MMU logical address of last page fault
<u>VCODEC MMU ZAP ONE LINE</u>	0x0010	W	0x00000000	MMU Zap cache line register
<u>VCODEC MMU INT RAWSTATUS</u>	0x0014	W	0x00000000	MMU raw interrupt status register
<u>VCODEC MMU INT CLEAR</u>	0x0018	W	0x00000000	MMU raw interrupt status register
<u>VCODEC MMU INT MASK</u>	0x001c	W	0x00000000	MMU raw interrupt status register
<u>VCODEC MMU INT STATUS</u>	0x0020	W	0x00000000	MMU raw interrupt status register



Name	Offset	Size	Reset Value	Description
VCODEC MMU AUTO GATING	0x0024	W	0x00000001	mmu auto gating

Notes: **Size:** **B**- Byte (8 bits) access, **HW**- Half WORD (16 bits) access, **W**-WORD (32 bits) access

### 5.5.8 VDPUI21 MMU Detail Registers Description

#### VCODEC MMU DTE ADDR

Address: Operational Base + offset (0x0000)

Bit	Attr	Reset Value	Description
31:0	RW	0x00000000	MMU_DTE_ADDR MMU current page Table address

#### VCODEC MMU STATUS

Address: Operational Base + offset (0x0004)

Bit	Attr	Reset Value	Description
31:11	RO	0x000000	Reserved
10:6	RO	0x00	PAGE_FAULT_BUS_ID Index of master responsible for last page fault
5	RO	0x0	PAGE_FAULT_IS_WRITE The direction of access for last page fault: 1'b0: Read 1'b1: Write
4	RO	0x1	REPLAY_BUFFER_EMPTY 1'b1: The MMU replay buffer is empty
3	RO	0x1	MMU_IDLE The MMU is idle when accesses are being translated and there are no unfinished translated accesses. 1'b1: MMU is idle
2	RO	0x0	STAIL_ACTIVE MMU stall mode currently enabled. The mode is enabled by command 1'b1: MMU is in stall active status
1	RO	0x0	PAGE_FAULT_ACTIVE MMU page fault mode currently enabled. The mode is enabled by command. 1'b1: Page fault is active
0	RO	0x0	PAGING_ENABLED 1'b0: Paging is disabled 1'b1: Paging is enabled

#### VCODEC MMU COMMAND

Address: Operational Base + offset (0x0008)

Bit	Attr	Reset Value	Description
31:3	RO	0x00000000	Reserved
2:0	WO	0x0	MMU_CMD MMU_CMD. This can be: 3'd0: MMU_ENABLE_PAGING 3'd1: MMU_DISABLE_PAGING 3'd2: MMU_ENABLE_STALL 3'd3: MMU_DISABLE_STALL 3'd4: MMU_ZAP_CACHE 3'd5: MMU_PAGE_FAULT_DONE 3'd6: MMU_FORCE_RESET

**VCODEC MMU PAGE FAULT ADDR**

Address: Operational Base + offset (0x000c)

Bit	Attr	Reset Value	Description
31:0	RO	0x00000000	PAGE_FAULT_ADDR Address of last page fault

**VCODEC MMU ZAP ONE LINE**

Address: Operational Base + offset (0x0010)

Bit	Attr	Reset Value	Description
31:0	WO	0x00000000	MMU_ZAP_ONE_LINE Address to be invalidated from the page table cache

**VCODEC MMU INT RAWSTAT**

Address: Operational Base + offset (0x0014)

Bit	Attr	Reset Value	Description
31:2	RO	0x00000000	Reserved
1	RW	0x0	READ_BUS_ERROR Read bus error status
0	RW	0x0	PAGE_FAULT Page fault status

**VCODEC MMU INT CLEAR**

Address: Operational Base + offset (0x0018)

Bit	Attr	Reset Value	Description
31:2	RO	0x00000000	Reserved
1	WO	0x0	READ_BUS_ERROR Write 1 to clear read bus error
0	WO	0x0	PAGE_FAULT Write 1 to page fault clear

**VCODEC MMU INT MASK**

Address: Operational Base + offset (0x001c)

Bit	Attr	Reset Value	Description
31:2	RO	0x00000000	Reserved
1	RW	0x0	READ_BUS_ERROR Enable the read bus interrupt source when this bit is set to 1'b1
0	RW	0x0	PAGE_FAULT Enable the page fault interrupt source when this bit is set to 1'b1

**VCODEC MMU INT STATUS**

Address: Operational Base + offset (0x0020)

Bit	Attr	Reset Value	Description
31:2	RO	0x00000000	Reserved
1	RO	0x0	READ_BUS_ERROR 1'b1: Read bus error status
0	RO	0x0	PAGE_FAULT 1'b1: Page fault

**VCODEC MMU AUTO GATING**

Address: Operational Base + offset (0x0024)

Bit	Attr	Reset Value	Description
31:1	RO	0x00000000	Reserved
0	RW	0x1	Mmu_auto_clkgating When it is 1'b1, the mmu will auto gating it self

**5.5.9 VDPU381 Registers Summary**

<b>Name</b>	<b>Offset</b>	<b>Size</b>	<b>Reset Value</b>	<b>Description</b>
<u>RKVDEC SWREG0 ID</u>	0x0000	W	0x00000000	ID register (read only)
<u>RKVDEC SWREG8 IN OUT</u>	0x0020	W	0x00000000	Data input and output endian setting and sys ctrl.
<u>RKVDEC SWREG9 DEC MODE</u>	0x0024	W	0x00000000	Dec mode
<u>RKVDEC SWREG10 DEC E</u>	0x0028	W	0x00000000	Decoder enable
<u>RKVDEC SWREG11 IMPORTANT EN</u>	0x002c	W	0x00000000	Interrupt and decoder enable register.
<u>RKVDEC SWREG12 SEND ODARY EN</u>	0x0030	W	0x00000000	Sys ctrl
<u>RKVDEC SWREG13 EN MODE SET</u>	0x0034	W	0x00000000	Enable register.
<u>RKVDEC SWREG14 FBC PARAM SET</u>	0x0038	W	0x00000000	Fbc param set.
<u>RKVDEC SWREG15 STREAM PARAM SET</u>	0x003c	W	0x00000000	Stream param set
<u>RKVDEC SWREG16 STREAM LEN</u>	0x0040	W	0x00000000	Amount of stream bytes in the input buffer or amount of rlc bytes in the input buffer.
<u>RKVDEC SWREG17 SLICE NUMBER</u>	0x0044	W	0x00000000	The current frame slice number
<u>RKVDEC SWREG18 Y HOR STRIDE</u>	0x0048	W	0x00000000	Picture horizontal virtual stride.
<u>RKVDEC SWREG19 UV HOR STRIDE</u>	0x004c	W	0x00000000	Picture parameters
<u>RKVDEC SWREG20 FBC PAYLOAD OFFSET</u>	0x0050	W	0x00000000	Register0004 Description
<u>RKVDEC SWREG20 Y STRIDE</u>	0x0050	W	0x00000000	The output picture y fac virtual stride.Suggest this register to config to even for advance ddr performance.
<u>RKVDEC SWREG21 ERROR CTRL SET</u>	0x0054	W	0x00000000	Error sys ctrl
<u>RKVDEC SWREG22 ERROR ROI CTU OFFSET START</u>	0x0058	W	0x00000000	It will cal the error ctu num in the roi.It will include the st ctu and end ctu.
<u>RKVDEC SWREG23 ERROR ROI CTU OFFSET END</u>	0x005c	W	0x00000000	It will cal the error ctu num in the roi.It will include the st ctu and end ctu.
<u>RKVDEC SWREG24 CABAC ERROR EN LOWBITS</u>	0x0060	W	0x00000000	Cabac error enable config.
<u>RKVDEC SWREG25 CABAC ERROR EN HIGHBITS</u>	0x0064	W	0x00000000	Cabac error enable high bits config.

<b>Name</b>	<b>Offset</b>	<b>Size</b>	<b>Reset Value</b>	<b>Description</b>
<u>RKVDEC SWREG26 BLOCK GATING EN</u>	0x0068	W	0x00000000	Block gating enable ctrl flag.
<u>RKVDEC SWREG27 CORE SAFE PIXELS</u>	0x006c	W	0x00000000	Colmv and recon report coord should be protect by safe pixels
<u>RKVDEC SWRE28 MULTIPLY CORE CTRL</u>	0x0070	W	0x00000000	Multiply core work ctrl
<u>RKVDEC SWRE29 SCALE DOWN CTRL</u>	0x0074	W	0x00000000	Scale down ctrl
<u>RKVDEC SWREG30 Y SCALE DOWN TILE8X8 HORIZONTAL STRIDE</u>	0x0078	W	0x00000000	Picture horizontal virtual stride.
<u>RKVDEC SWREG31 UV SCALE DOWN TILE8X8 HORIZONTAL STRIDE</u>	0x007c	W	0x00000000	Picture parametes
<u>RKVDEC SWREG32 TIMEOUT THRESHOLD</u>	0x0080	W	0x00000000	Timeout threshold
<u>RKVDEC SWREG64 VP9 SET</u>	0x0100	W	0x00000000	Vp9 compressed header offset.2014.11.19 del this register, because we can decode out sw_vp9_cprheader_offset from the stream.
<u>RKVDEC SWREG64 H26X SET</u>	0x0100	W	0x00000000	For H26x use
<u>RKVDEC SWREG65 CUR POC</u>	0x0104	W	0x00000000	Hevc & h264 & avs2 :the poc of cur picture.add vp9.
<u>RKVDEC SWREG66 H264 CUR POC1</u>	0x0108	W	0x00000000	When cur is field, h264 cur poc for bottom field.
<u>RKVDEC SWREG67 VP9 SEGID GRP0</u>	0x010c	W	0x00000000	Vp9 segid syntax grp0.When write it is for last frame.When read it is for cur frame.
<u>RKVDEC SWREG67 REF0 POC</u>	0x010c	W	0x00000000	Hevc & h264 & avs2: The poc of reference picture index 0.
<u>RKVDEC SWREG68 VP9 SEGID GRP1</u>	0x0110	W	0x00000000	Vp9 segid syntax grp1.When write it is for last frame.When read it is for cur frame.
<u>RKVDEC SWREG68 REF1 POC</u>	0x0110	W	0x00000000	Hevc & h264 & avs2: The poc of reference picture index 1.
<u>RKVDEC SWREG69 VP9 SEGID GRP2</u>	0x0114	W	0x00000000	Vp9 segid syntax grp2.When write it is for last frame.When read it is for cur frame.
<u>RKVDEC SWREG69 REF2 POC</u>	0x0114	W	0x00000000	Hevc & h264 & avs2: The poc of reference picture index 2.

<b>Name</b>	<b>Offset</b>	<b>Size</b>	<b>Reset Value</b>	<b>Description</b>
<u>RKVDEC SWREG70 VP9 SEGID_GRP3</u>	0x0118	W	0x00000000	Vp9 segid syntax grp3.When write it is for last frame.When read it is for cur frame.
<u>RKVDEC SWREG70 REF3_POC</u>	0x0118	W	0x00000000	Hevc & h264 & avs2: The poc of reference picture index 3.
<u>RKVDEC SWREG71 VP9 SEGID_GRP4</u>	0x011c	W	0x00000000	Vp9 segid syntax grp4.When write it is for last frame.When read it is for cur frame.
<u>RKVDEC SWREG71 REF4_POC</u>	0x011c	W	0x00000000	Hevc & h264 & avs2: The poc of reference picture index 4.
<u>RKVDEC SWREG72 VP9 SEGID_GRP5</u>	0x0120	W	0x00000000	Vp9 segid syntax grp5.When write it is for last frame.When read it is for cur frame.
<u>RKVDEC SWREG72 REF5_POC</u>	0x0120	W	0x00000000	Hevc & h264 & avs2: The poc of reference picture index 5.
<u>RKVDEC SWREG73 VP9 SEGID_GRP6</u>	0x0124	W	0x00000000	Vp9 segid syntax grp6.When write it is for last frame.When read it is for cur frame.
<u>RKVDEC SWREG73 REF6_POC</u>	0x0124	W	0x00000000	Hevc & h264 & avs2: The poc of reference picture index 6.
<u>RKVDEC SWREG74 VP9 SEGID_GRP7</u>	0x0128	W	0x00000000	Vp9 segid syntax grp7.When write it is for last frame.When read it is for cur frame.
<u>RKVDEC SWREG74 REF7_POC</u>	0x0128	W	0x00000000	Hevc & h264 & avs2: The poc of reference picture index 7.
<u>RKVDEC SWREG75 VP9 INFO_LASTFRAME</u>	0x012c	W	0x00000000	Vp9 info for lastframe.
<u>RKVDEC SWREG75 REF8_POC</u>	0x012c	W	0x00000000	Hevc & h264: The poc of reference picture index 8.
<u>RKVDEC SWREG76 VP9 CPRHEADER_CONFIG</u>	0x0130	W	0x00000000	Vp9 compressed header config info.
<u>RKVDEC SWREG76 REF9_POC</u>	0x0130	W	0x00000000	Hevc & h264: The poc of reference picture index 9.
<u>RKVDEC SWREG77 VP9 INTERCMD_NUM</u>	0x0134	W	0x00000000	Vp9 intercmd num.
<u>RKVDEC SWREG77 REF10_POC</u>	0x0134	W	0x00000000	Hevc & h264: The poc of reference picture index 10.
<u>RKVDEC SWREG78 VP9 STREAM_SIZE</u>	0x0138	W	0x00000000	Vp9 last tile size.
<u>RKVDEC SWREG78 REF11_POC</u>	0x0138	W	0x00000000	Hevc & h264: The poc of reference picture index 11.
<u>RKVDEC SWREG79 VP9 LASTF_Y_HOR_VIRSTRIDE</u>	0x013c	W	0x00000000	Vp9 last frame y horizontal virstride.

<b>Name</b>	<b>Offset</b>	<b>Size</b>	<b>Reset Value</b>	<b>Description</b>
<u>RKVDEC SWREG79 REF1 2_POC</u>	0x013c	W	0x00000000	Hevc & h264: The poc of reference picture index 12.
<u>RKVDEC SWREG80 VP9 LASTF UV HOR VIRSTRIDE</u>	0x0140	W	0x00000000	Vp9 last frame uv horizontal virstride.
<u>RKVDEC SWREG80 REF1 3_POC</u>	0x0140	W	0x00000000	Hevc & h264: The poc of reference picture index 13.
<u>RKVDEC SWREG81 VP9 GOLDENF Y HOR VIRSTRIDE</u>	0x0144	W	0x00000000	Vp9 golden frame y horizontal virstride.
<u>RKVDEC SWREG81 REF1 4_POC</u>	0x0144	W	0x00000000	Hevc & h264: The poc of reference picture index 14.
<u>RKVDEC SWREG82 VP9 GOLDEN UV HOR VIRSTRIDE</u>	0x0148	W	0x00000000	Vp9 golden uv horizontal virstirde.
<u>RKVDEC SWREG82 REF1 5_POC</u>	0x0148	W	0x00000000	H264: The poc of reference picture index 15.Hevc: Used for mvc.Vp9: Now is no use.
<u>RKVDEC SWREG83 VP9 ALTREFF Y HOR VIRSTRIDE</u>	0x014c	W	0x00000000	Vp9 altref frame y horizontal virstride.
<u>RKVDEC SWREG83 REF1 6_POC</u>	0x014c	W	0x00000000	H264: The poc of reference picture index 16.Hevc & vp9: Now is no use.
<u>RKVDEC SWREG84 VP9 ALTREFF UV HOR VIRSTRIDE</u>	0x0150	W	0x00000000	Vp9 altreff uv horizontal virstirde.2015.10.23, change from 9bits to 10bits.
<u>RKVDEC SWREG84 REF1 7_POC</u>	0x0150	W	0x00000000	H264: The poc of reference picture index 17.Hevc & vp9: Now is no use.
<u>RKVDEC SWREG85 VP9 LASTF Y VIRSTRIDE</u>	0x0154	W	0x00000000	Last ref ystride
<u>RKVDEC SWREG85 REF1 8_POC</u>	0x0154	W	0x00000000	H264: The poc of reference picture index 18.Hevc & vp9: Now is no use.
<u>RKVDEC SWREG86 VP9 GOLDEN Y VIRSTRIDE</u>	0x0158	W	0x00000000	Vp9 golden y stride
<u>RKVDEC SWREG86 REF1 9_POC</u>	0x0158	W	0x00000000	H264: The poc of reference picture index 19.Hevc & vp9: Now is no use.
<u>RKVDEC SWREG87 VP9 ALTREF Y VIRSTRIDE</u>	0x015c	W	0x00000000	Altref ref ystride

<b>Name</b>	<b>Offset</b>	<b>Size</b>	<b>Reset Value</b>	<b>Description</b>
<u>RKVDEC SWREG87 REF2</u> <u>0_POC</u>	0x015c	W	0x00000000	H264: The poc of reference picture index 20.Hevc & vp9: Now is no use.
<u>RKVDEC SWREG88 VP9</u> <u>LREF_HOR_SCALE</u>	0x0160	W	0x00000000	Horizontal scaling factor for last reference picture.
<u>RKVDEC SWREG88 REF2</u> <u>1_POC</u>	0x0160	W	0x00000000	H264: The poc of reference picture index 21.Hevc & vp9: Now is no use.
<u>RKVDEC SWREG89 VP9</u> <u>LREF_VER_SCALE</u>	0x0164	W	0x00000000	Vertical scaling factor for last reference picture.
<u>RKVDEC SWREG89 REF2</u> <u>2_POC</u>	0x0164	W	0x00000000	H264: The poc of reference picture index 22.Hevc & vp9: Now is no use.
<u>RKVDEC SWREG90 VP9</u> <u>GREF_HOR_SCALE</u>	0x0168	W	0x00000000	Horizontal scaling factor for golden reference picture.
<u>RKVDEC SWREG90 REF2</u> <u>3_POC</u>	0x0168	W	0x00000000	H264: The poc of reference picture index 23.Hevc & vp9: Now is no use.
<u>RKVDEC SWREG91 VP9</u> <u>GREF_VER_SCALE</u>	0x016c	W	0x00000000	Vertical scaling factor for golden reference picture.
<u>RKVDEC SWREG91 REF2</u> <u>4_POC</u>	0x016c	W	0x00000000	H264: The poc of reference picture index 24.Hevc & vp9: Now is no use.
<u>RKVDEC SWREG92 VP9</u> <u>AREF_HOR_SCALE</u>	0x0170	W	0x00000000	Horizontal scaling factor for alfter reference picture.
<u>RKVDEC SWREG92 REF2</u> <u>5_POC</u>	0x0170	W	0x00000000	H264: The poc of reference picture index 25.Hevc & vp9: Now is no use.
<u>RKVDEC SWREG93 VP9</u> <u>AREF_VER_SCALE</u>	0x0174	W	0x00000000	Vertical scaling factor for alfter reference picture.
<u>RKVDEC SWREG93 REF2</u> <u>6_POC</u>	0x0174	W	0x00000000	H264: The poc of reference picture index 26.Hevc & vp9: Now is no use.
<u>RKVDEC SWREG94 VP9</u> <u>REF_DELTAS_LASTFRAME</u>	0x0178	W	0x00000000	Vp9 ref deltas
<u>RKVDEC SWREG94 REF2</u> <u>7_POC</u>	0x0178	W	0x00000000	H264: The poc of reference picture index 27.Hevc & vp9: Now is no use.
<u>RKVDEC SWREG95 VP9</u> <u>LAST_POC</u>	0x017c	W	0x00000000	VP9: The poc of last reference
<u>RKVDEC SWREG95 REF2</u> <u>8_POC</u>	0x017c	W	0x00000000	H264: The poc of reference picture index 28.Hevc & vp9: Now is no use.



<b>Name</b>	<b>Offset</b>	<b>Size</b>	<b>Reset Value</b>	<b>Description</b>
<u>RKVDEC SWREG96 VP9 GOLDEN_POC</u>	0x0180	W	0x00000000	VP9: The poc of golden reference
<u>RKVDEC SWREG96 REF2 9_POC</u>	0x0180	W	0x00000000	H264: The poc of reference picture index 29.Hevc & vp9: Now is no use.
<u>RKVDEC SWREG97 VP9 ALTREF_POC</u>	0x0184	W	0x00000000	VP9: The poc of altref reference
<u>RKVDEC SWREG97 REF3 0_POC</u>	0x0184	W	0x00000000	H264: The poc of reference picture index 30.Hevc & vp9: Now is no use.
<u>RKVDEC SWREG98 VP9 COL_REF_POC</u>	0x0188	W	0x00000000	VP9: The poc of colpic reference
<u>RKVDEC SWREG98 REF3 1_POC</u>	0x0188	W	0x00000000	H264: The poc of reference picture index 31.Hevc & vp9: Now is no use.
<u>RKVDEC SWREG99 H264 REG0_3_INFO</u>	0x018c	W	0x00000000	Rreference picture index 0~3
<u>RKVDEC SWREG99 AVS2 REG0_3_INFO</u>	0x018c	W	0x00000000	Rreference picture index 0~3
<u>RKVDEC SWREG99 VP9 PROB_REF_POC</u>	0x018c	W	0x00000000	VP9: The poc of reference prob
<u>RKVDEC SWREG99 HEVC REF_VALID</u>	0x018c	W	0x00000000	Valid flag for picture index 0 ~14.
<u>RKVDEC SWREG100 AVS 2 REG4_7_INFO</u>	0x0190	W	0x00000000	Rreference picture index 4~7
<u>RKVDEC SWREG100 H26 4 REG4_7_INFO</u>	0x0190	W	0x00000000	Rreference picture index 4~7
<u>RKVDEC SWREG100 VP9 SEGID_REF_POC</u>	0x0190	W	0x00000000	VP9: The poc of reference segmentid
<u>RKVDEC SWREG101 H26 4 REG8_11_INFO</u>	0x0194	W	0x00000000	Rreference picture index 8~11
<u>RKVDEC SWREG102 H26 4 REG12_15_INFO</u>	0x0198	W	0x00000000	Rreference picture index 12~15
<u>RKVDEC SWREG103 HEV C MVC0</u>	0x019c	W	0x00000000	Hevc mvc config register.
<u>RKVDEC SWREG103 AVS 2_CTRL_EXTRA</u>	0x019c	W	0x00000000	Avs2 ctrl register
<u>RKVDEC SWREG103 VP9 PROB_EN</u>	0x019c	W	0x00000000	Vp9_prob_en config.
<u>RKVDEC SWREG104 HEV C MVC1</u>	0x01a0	W	0x00000000	Hevc MVC ctrl register.
<u>RKVDEC SWREG105 VP9 CNT_UPD_EN_AVS2_HEA DLEN</u>	0x01a4	W	0x00000000	Avs2_head_len and Vp9 count update en.

<b>Name</b>	<b>Offset</b>	<b>Size</b>	<b>Reset Value</b>	<b>Description</b>
<u>RKVDEC SWREG106 VP9 FRAME WIDTH LAST</u>	0x01a8	W	0x00000000	Last frame frame_size_width.
<u>RKVDEC SWREG107 VP9 FRAME HEIGHT LAST</u>	0x01ac	W	0x00000000	Last frame frame_size_height.
<u>RKVDEC SWREG108 VP9 FRAME WIDTH GOLDEN</u>	0x01b0	W	0x00000000	Golden frame_size_width.
<u>RKVDEC SWREG109 VP9 FRAME HEIGHT GOLDEN</u>	0x01b4	W	0x00000000	Golden frame_size_height.
<u>RKVDEC SWREG110 VP9 FRAME WIDTH ALTREF</u>	0x01b8	W	0x00000000	Alfter frame_size_width.
<u>RKVDEC SWREG111 VP9 FRAME HEIGHT ALTREF</u>	0x01bc	W	0x00000000	Alfter frame_size_height.
<u>RKVDEC SWREG112 ERROR REF INFO</u>	0x01c0	W	0x00000000	Refer error is top or bot field flag.
<u>RKVDEC SWREG128 STREAM RLC BASE</u>	0x0200	W	0x00000000	The stream or rlc data base address.
<u>RKVDEC SWREG129 ERROR INFO BASE</u>	0x0204	W	0x00000000	The base address of error info
<u>RKVDEC SWREG129 RLC WRITE BASE</u>	0x0204	W	0x00000000	The base address of rlcwrite base address.When frame is ready, it is the address of the end of rlcwrite address.
<u>RKVDEC SWREG130 DECODE OUTPUT BASE</u>	0x0208	W	0x00000000	Base address of decoder output picture.Suggest this register to config to even for advance ddr performance.
<u>RKVDEC SWREG131 COLUMN CUR BASE</u>	0x020c	W	0x00000000	Cur frame colmv output addr.
<u>RKVDEC SWREG132 ERROR REF BASE</u>	0x0210	W	0x00000000	Error reference frame base address.
<u>RKVDEC SWREG133 RCB INTRAR BASE</u>	0x0214	W	0x00000000	Rcb intra row base address, unit: 64byts align.
<u>RKVDEC SWREG134 RCB TRANS DR BASE</u>	0x0218	W	0x00000000	Rcb transd row base address, unit: 64byts align.
<u>RKVDEC SWREG135 RCB TRANS DC BASE</u>	0x021c	W	0x00000000	Rcb transd col base address, unit: 64byts align.
<u>RKVDEC SWREG136 RCB STRM DR BASE</u>	0x0220	W	0x00000000	Rcb stream row base address, unit: 64byts align.
<u>RKVDEC SWREG137 RCB INTERR BASE</u>	0x0224	W	0x00000000	Rcb inter row base address, unit: 64byts align.
<u>RKVDEC SWREG138 RCB INTERC BASE</u>	0x0228	W	0x00000000	Rcb inter col base address, unit: 64byts align.

<b>Name</b>	<b>Offset</b>	<b>Size</b>	<b>Reset Value</b>	<b>Description</b>
<u>RKVDEC SWREG139 RCB_DBLKR BASE</u>	0x022c	W	0x00000000	Rcb dblock row base address, unit: 64bytes align.
<u>RKVDEC SWREG140 RCB_SAOR BASE</u>	0x0230	W	0x00000000	Rcb sao row base address, unit: 64bytes align.
<u>RKVDEC SWREG141 RCB_FBCR BASE</u>	0x0234	W	0x00000000	Rcb fbc row base address, unit: 64bytes align.
<u>RKVDEC SWREG142 RCB_FILTC COL BASE</u>	0x0238	W	0x00000000	Rcb filter col base address, unit: 64bytes align.
<u>RKVDEC SWREG160 VP9_DELTA PROB BASE</u>	0x0280	W	0x00000000	The base address of prob.
<u>RKVDEC SWREG161 PPS_BASE</u>	0x0284	W	0x00000000	The base address of pps.
<u>RKVDEC SWREG161 AVS2 HEAD BASE</u>	0x0284	W	0x00000000	The base address of avs2 head.
<u>RKVDEC SWREG162 VP9_LAST PROB BASE</u>	0x0288	W	0x00000000	It only used when hardware parse prob.This base addr is for last prob.
<u>RKVDEC SWREG163 RPS_BASE</u>	0x028c	W	0x00000000	The base address of rps.
<u>RKVDEC SWREG164 REF0 BASE</u>	0x0290	W	0x00000000	Base address for reference picture index0.
<u>RKVDEC SWREG164 VP9_REFERLAST BASE</u>	0x0290	W	0x00000000	Base address for reference picture.Suggest this register to config to even for advance ddr performance.
<u>RKVDEC SWREG165 REF1 BASE</u>	0x0294	W	0x00000000	Base address for reference picture index1.
<u>RKVDEC SWREG165 VP9_REFERGOLDEN BASE</u>	0x0294	W	0x00000000	Base address for golden picture.Suggest this register to config to even for advance ddr performance.
<u>RKVDEC SWREG166 REF2 BASE</u>	0x0298	W	0x00000000	Base address for reference picture index2.
<u>RKVDEC SWREG166 VP9_REFERALFTER BASE</u>	0x0298	W	0x00000000	Base address for alfter picture.Suggest this register to config to even for advance ddr performance.
<u>RKVDEC SWREG167 VP9_COUNT BASE</u>	0x029c	W	0x00000000	Vp9 count base addr.
<u>RKVDEC SWREG167 REF3 BASE</u>	0x029c	W	0x00000000	Base address for reference picture index3.
<u>RKVDEC SWREG168 VP9_SEGIDLAST BASE</u>	0x02a0	W	0x00000000	Base address for last frame segment id.

<b>Name</b>	<b>Offset</b>	<b>Size</b>	<b>Reset Value</b>	<b>Description</b>
<u>RKVDEC SWREG168 REF4 BASE</u>	0x02a0	W	0x00000000	Base address for reference picture index4.
<u>RKVDEC SWREG169 AVP9 SEGIDCUR BASE</u>	0x02a4	W	0x00000000	Base address for cur frame segment id.
<u>RKVDEC SWREG169 REF5 BASE</u>	0x02a4	W	0x00000000	Base address for reference picture index5.
<u>RKVDEC SWREG170 VP9 REFCOLMV BASE</u>	0x02a8	W	0x00000000	Vp9 refcolmv base addr.
<u>RKVDEC SWREG170 REF6 BASE</u>	0x02a8	W	0x00000000	Base address for reference picture index6.
<u>RKVDEC SWREG171 VP9 INTERCMD BASE</u>	0x02ac	W	0x00000000	Inter cmd base addr.
<u>RKVDEC SWREG171 REF7 BASE</u>	0x02ac	W	0x00000000	Base address for reference picture index7.
<u>RKVDEC SWREG172 VP9 UPDATE PROB WR BASE</u>	0x02b0	W	0x00000000	Hardware parse prob: Used as vp9 prob write base.
<u>RKVDEC SWREG172 H26X REF8 BASE</u>	0x02b0	W	0x00000000	Base address for reference picture index8.
<u>RKVDEC SWREG173 H26X REF9 BASE</u>	0x02b4	W	0x00000000	Base address for reference picture index9.
<u>RKVDEC SWREG174 H26X REF10 BASE</u>	0x02b8	W	0x00000000	Base address for reference picture index10.
<u>RKVDEC SWREG175 H26X REF11 BASE</u>	0x02bc	W	0x00000000	Base address for reference picture index11.
<u>RKVDEC SWREG176 H26X REF12 BASE</u>	0x02c0	W	0x00000000	Base address for reference picture index12.
<u>RKVDEC SWREG177 H26X REF13 BASE</u>	0x02c4	W	0x00000000	Base address for reference picture index13.
<u>RKVDEC SWREG178 H26X REF14 BASE</u>	0x02c8	W	0x00000000	Base address for reference picture index14.
<u>RKVDEC SWREG179 H26X REF15 BASE</u>	0x02cc	W	0x00000000	Base address for reference picture index15.
<u>RKVDEC SWREG180 SCANLIST ADDR</u>	0x02d0	W	0x00000000	The addr for scanlist table.
<u>RKVDEC SWREG181 COLMV REF0 BASE</u>	0x02d4	W	0x00000000	Ref0 frame colmv base addr.
<u>RKVDEC SWREG182 COLMV REF1 BASE</u>	0x02d8	W	0x00000000	Ref1 frame colmv base addr.
<u>RKVDEC SWREG183 COLMV REF2 BASE</u>	0x02dc	W	0x00000000	Ref2 frame colmv base addr.
<u>RKVDEC SWREG184 COLMV REF3 BASE</u>	0x02e0	W	0x00000000	Ref3 frame colmv base addr.

<b>Name</b>	<b>Offset</b>	<b>Size</b>	<b>Reset Value</b>	<b>Description</b>
<u>RKVDEC SWREG185 COL MV REF4 BASE</u>	0x02e4	W	0x00000000	Ref4 frame colmv base addr.
<u>RKVDEC SWREG186 COL MV REF5 BASE</u>	0x02e8	W	0x00000000	Ref5 frame colmv base addr.
<u>RKVDEC SWREG187 COL MV REF6 BASE</u>	0x02ec	W	0x00000000	Ref6 frame colmv base addr.
<u>RKVDEC SWREG188 COL MV REF7 BASE</u>	0x02f0	W	0x00000000	Ref7 frame colmv base addr.
<u>RKVDEC SWREG189 COL MV REF8 BASE</u>	0x02f4	W	0x00000000	Ref8 frame colmv base addr.
<u>RKVDEC SWREG190 COL MV REF9 BASE</u>	0x02f8	W	0x00000000	Ref9 frame colmv base addr.
<u>RKVDEC SWREG191 COL MV REF10 BASE</u>	0x02fc	W	0x00000000	Ref10 frame colmv base addr.
<u>RKVDEC SWREG192 COL MV REF11 BASE</u>	0x0300	W	0x00000000	Ref11 frame colmv base addr.
<u>RKVDEC SWREG193 COL MV REF12 BASE</u>	0x0304	W	0x00000000	Ref12 frame colmv base addr.
<u>RKVDEC SWREG194 COL MV REF13 BASE</u>	0x0308	W	0x00000000	Ref13 frame colmv base addr.
<u>RKVDEC SWREG195 COL MV REF14 BASE</u>	0x030c	W	0x00000000	Ref14 frame colmv base addr.
<u>RKVDEC SWREG196 COL MV REF15 BASE</u>	0x0310	W	0x00000000	Ref15 frame colmv base addr.
<u>RKVDEC SWREG197 CAB ACTBL BASE</u>	0x0314	W	0x00000000	Hevc & H264: The base address of cabac table.
<u>RKVDEC SWREG198 SCALE DOWN LUMA BASE</u>	0x0318	W	0x00000000	Hevc & H264: The base address of cabac table.
<u>RKVDEC SWREG199 SCALE DOWN CHRO BASE</u>	0x031c	W	0x00000000	The base address of scale down chro base
<u>RKVDEC SWREG200 REF_POC HIGHBIT P0</u>	0x0320	W	0x00000000	Sw_ref_poc_highbituse for separate top/bot field or multi-view stream in multi-core casevp9 not used
<u>RKVDEC SWREG201 REF_POC HIGHBIT P1</u>	0x0324	W	0x00000000	Sw_ref_poc_highbituse for separate top/bot field or multi-view stream in multi-core casevp9 not used
<u>RKVDEC SWREG202 REF_POC HIGHBIT P2</u>	0x0328	W	0x00000000	Sw_ref_poc_highbituse for separate top/bot field or multi-view stream in multi-core casevp9 not used

<b>Name</b>	<b>Offset</b>	<b>Size</b>	<b>Reset Value</b>	<b>Description</b>
<u>RKVDEC SWREG203 REF POC HIGHBIT P3</u>	0x032c	W	0x00000000	Sw_ref_poc_highbituse for separate top/bot field or multi-view stream in multi-core casevp9 not used
<u>RKVDEC SWREG204 CUR POC HIGHBIT</u>	0x0330	W	0x00000000	Sw_cur_poc_highbituse for separate top/bot field or multi-view stream in multi-core casevp9 not used
<u>RKVDEC SWREG224 STA INT</u>	0x0380	W	0x00000000	Decoder status
<u>RKVDEC SWREG225 STA_ERR INFO</u>	0x0384	W	0x00000000	Error info status.
<u>RKVDEC SWREG226 STA_CABAC ERROR STATUS</u>	0x0388	W	0x00000000	Cabac error status.
<u>RKVDEC SWREG227 STA_COLMV ERROR REF PIC IDX</u>	0x038c	W	0x00000000	Colmv error ref picidx.
<u>RKVDEC SWREG228 STA_CABAC ERROR CTU OF FSET</u>	0x0390	W	0x00000000	Cabac error ctu offset.
<u>RKVDEC SWREG229 STA_SAOWR CTU OFFSET</u>	0x0394	W	0x00000000	When there is any error, it is for the position of sao decode output to busifd.
<u>RKVDEC SWREG230 STA_SLICE DEC NUM</u>	0x0398	W	0x00000000	Slice dec num
<u>RKVDEC SWREG231 STA_FRAME ERROR CTU NUM</u>	0x039c	W	0x00000000	H264 and hevc error ctu number.
<u>RKVDEC SWREG232 STA_ERROR PACKET NUM</u>	0x03a0	W	0x00000000	Error packet number
<u>RKVDEC SWREG233 STA_ERR CTU NUM IN ROI</u>	0x03a4	W	0x00000000	The error ctu num in roi.
<u>RKVDEC SWREG256 DEB_0 UG PERF LATENCY CTRL</u>	0x0400	W	0x00000000	Axi performance latency module contrl register.
<u>RKVDEC SWREG257 DEB_1 UG PERF LATENCY CTRL</u>	0x0404	W	0x00000000	Debug perf latency ctrl.
<u>RKVDEC SWREG258 DEB UG PERF RD MAX LATENCY NUM</u>	0x0408	W	0x00000000	Read max latency number.
<u>RKVDEC SWREG259 PERF RD LATENCY SAMP NUM</u>	0x040c	W	0x00000000	The number of bigger than configed threshold value.

<b>Name</b>	<b>Offset</b>	<b>Size</b>	<b>Reset Value</b>	<b>Description</b>
<u>RKVDEC SWREG260 DEB UG PERF RD LATENCY ACC SUM</u>	0x0410	W	0x00000000	Total sample number.
<u>RKVDEC SWREG261 DEB UG PERF RD AXI TOTAL BYTE</u>	0x0414	W	0x00000000	The bandwidth of total read bytes.
<u>RKVDEC SWREG262 DEB UG PERF WR AXI TOTAL BYTE</u>	0x0418	W	0x00000000	The bandwidth of total write bytes.
<u>RKVDEC SWREG263 DEB UG PERF WORKING CNT</u>	0x041c	W	0x00000000	The total running cycle of current frame.
<u>RKVDEC SWREG265 DEB UG PERF SEL</u>	0x0424	W	0x00000000	Performance monitor ctrl.
<u>RKVDEC SWREG266 DEB UG PERF CNT0</u>	0x0428	W	0x00000000	Performance count value0.
<u>RKVDEC SWREG267 DEB UG PERF CNT1</u>	0x042c	W	0x00000000	Performance count value1.
<u>RKVDEC SWREG268 DEB UG PERF CNT2</u>	0x0430	W	0x00000000	Performance count value2.
<u>RKVDEC SWREG269 VP9 ERROR INFO</u>	0x0434	W	0x00000000	Performance count value2.
<u>RKVDEC SWREG270 DEB UG QOS CTRL</u>	0x0438	W	0x00000000	AXI bus hurry ctrl.
<u>RKVDEC SWREG271 DEB UG WAIT CYCLE QOS</u>	0x043c	W	0x00000000	Hw find sw_wr_wait_cycle_qos cycle can't wr to ddr, it will give hurry.
<u>RKVDEC SWREG272 DEB UG INT</u>	0x0440	W	0x00000000	Debug info
<u>RKVDEC SWREG273 STA B FRAME FLAG</u>	0x0444	W	0x00000000	STA B Frame flag
<u>RKVDEC SWREG274 PIX RANGE Y</u>	0x0448	W	0x00000000	It will monitor current frame max or min pix value.
<u>RKVDEC SWREG275 PIX RANGE U</u>	0x044c	W	0x00000000	It will monitor current frame max or min pix value.
<u>RKVDEC SWREG276 PIX RANGE V</u>	0x0450	W	0x00000000	It will monitor current frame max or min pix value.
<u>RKVDEC SWREG277 ERROR SPREAD NUM</u>	0x0454	W	0x00000000	Error spread block numbers

Notes: **Size:** **B**- Byte (8 bits) access, **HW**- Half WORD (16 bits) access, **W**-WORD (32 bits) access

### **5.5.10 VDP0381 Detail Register Description**

#### **RKVDEC SWREG0 ID**

Address: Operational Base + offset (0x0000)

Bit	Attr	Reset Value	Description
31:16	RO	0x0000	prod_num Prod code
15:8	RO	0x00	major_ver Major verision
7:0	RO	0x00	minor_ver Minor version

**RKVDEC SWREG8 IN OUT**

Address: Operational Base + offset (0x0020)

Bit	Attr	Reset Value	Description
31:10	RO	0x0	Reserved
9	RW	0x0	sw_out_swap64_e May be used for 64 or 128 bit environment. 1'b0: No swapping of 64 bit words. 1'b1: 64 bit data words are swapped.
8	RW	0x0	sw_out_cbc_r_swap 1'b0: Cb(u) is in the lower address, cr(v) is in the higher address. 1'b1: Cb(u) is in the higher address,cr(v) is in the lower address. Sw_in_cbc_r_swap is the same with sw_out_cbc_r_swap.
7	RW	0x0	sw_out_swap32_e May be used for 64 or 128 bit environment. 1'b0: No swapping of 32 bit words. 1'b1: 32 bit data words are swapped.
6	RW	0x0	sw_out_endian 1'b0: Little endian 1'b1: Big endian For litter enadian, a data 0x12345678, 0x78 is stored in lower address, 0x12 is stored in higher address.
5	RW	0x0	sw_str_swap64_e May be used for 128 bit environment. 1'b0: No swapping of 64 bit words. 1'b1: 64 bit data words are swapped.
4	RW	0x0	sw_str_swap32_e May be used for 64 or 128 bit environment. 1'b0: No swapping of 32 bit words 1'b1: 32 bit data words are swapped.
3	RW	0x0	sw_str_endian 1'b0: Little endian 1'b1: Big endian For litter enadian, a data 0x12345678, 0x78 is stored in lower address, 0x12 is stored in higher address.
2	RW	0x0	sw_in_swap64_e May be used for 128 bit environment. 1'b0: No swapping of 64 bit words. 1'b1: 64 bit data words are swapped.



Bit	Attr	Reset Value	Description
1	RW	0x0	sw_in_swap32_e May be used for 64 or 128 bit environment. 1'b0: No swapping of 32 bit words. 1'b1: 32 bit data words are swapped.
0	RW	0x0	sw_in_endian 1'b0: Little endian 1'b1: Big endian For litter enadian, a data 0x12345678, 0x78 is stored in lower address, 0x12 is stored in higher address.

**RKVDEC SWREG9 DEC MODE**

Address: Operational Base + offset (0x0024)

Bit	Attr	Reset Value	Description
31:10	RO	0x0	Reserved
9:0	RW	0x000	sw_dec_mode 10'd0: Hevc 10'd1: H264 10'd2: Vp9 10'd3: Avs2 Other: Reversed

**RKVDEC SWREG10 DEC E**

Address: Operational Base + offset (0x0028)

Bit	Attr	Reset Value	Description
31:1	RO	0x0	Reserved
0	RW	0x0	sw_dec_e Decoder enable. Setting this bit high will start the decoding operation. HW will reset this when the picture is decoded ready or bus error or time out interrupt is given for all decode format. HW will reset this when picture is processed stream error for vp9 & hevc & (h264 when sw_h264_error_mode is 1'b0).

**RKVDEC SWREG11 IMPORTANT EN**

Address: Operational Base + offset (0x002c)

Bit	Attr	Reset Value	Description
31:25	RO	0x0	Reserved
24	RW	0x0	sw_pix_range_det_e 1'b0: Pix range detect disable 1'b1: Pix range detect enable
23:22	RO	0x0	Reserved

Bit	Attr	Reset Value	Description
21	RW	0x0	sw_force_softreset_valid When sw_force_softreset_valid is 1'b1, sw_softrst_en will always be valid to the system no matter that whether the axi bus is idle. When sw_force_softreset_valid is 1'b0, sw_softrst_en will only be valid when the axi bus is idle. We suggest such bit always be config to 0 except when soft want to force reset.
20	RW	0x0	sw_softrst_en_p Softreset enable signal, write 1 to soft reset, write 0 invalid, puls register.
19:11	RO	0x0	Reserved
10	RW	0x0	sw_dec_e_rewrite_valid Sw_dec_e rewrite valid signal, maybe for only when buffer empty, restart the decoder use.
9:7	RO	0x0	Reserved
6	RW	0x0	sw_buf_empty_en Buffer empty interrupt enable.
5	RW	0x0	sw_dec_timeout_e If enabled HW may return timeout interrupt in case HW gets stucked while decoding picture.
4	RW	0x0	sw_dec_irq_dis When hight, there are no interrupts concerning decoder from HW. Polling must be used to see the interrupt status.
3	RO	0x0	Reserved
2	RW	0x0	sw_dec_e_strmd_clkgate_dis In streamd module, there contains HEVC, H264, VP9, AVS2 modules, when it is 1'b1, these modules will no auto clkgate.
1	RW	0x0	sw_dec_clkgate_e 1'b0: Clock is running for all structures. 1'b1: Clock is gated for decoder structures that are not used.
0	RO	0x0	Reserved

**RKVDEC SWREG12 SENCODARY EN**

Address: Operational Base + offset (0x0030)

Bit	Attr	Reset Value	Description
31:11	RO	0x0	Reserved
10	RW	0x0	sw_error_cfg_wr_disable default is write ltb cfg to ddr when error occur 1'b0: Hardware will write ltb cfg to ddr when error occur. 1'b1: Hardware do not write ltb cfg to ddr when error occur.

Bit	Attr	Reset Value	Description
9	RW	0x0	sw_scale_down_en scale down used 8x8 tile mode output. it support 1/2 scale down ratio for hor or vrz. 1'b0:Disable scale down function. 1'b1:Enable scale down function,scale down en can be enable only when fbc work mode be activated.
8	RW	0x0	sw_scanlist_addr_valid_en 1'b0 : Scanlist addr get from pps table. 1'b1 : Scanlist addr get from config.
7	RW	0x0	sw_error_auto_rst_disable default is auto reset 1'b0: Hardware will auto reset when error occur. 1'b1: Wait software process reset when error occur.
6	RW	0x0	sw_collect_info_en 1'b0: Disable 1'b1: Enable
5	RW	0x0	sw_error_info_en 1'b0: Disable 1'b1: Enable
4	RW	0x0	sw_buspr_slot_disable 1'b1: Bus prefetch slot manage disable.
3	RO	0x0	Reserved
2	RW	0x0	sw_fbc_e 1'b0: Fbc disable 1'b1: Fbc enable
1	RW	0x0	sw_colmv_compress_en 1'b0: Disable 1'b1: Enable
0	RO	0x0	Reserved

**RKVDEC SWREG13\_EN MODE SET**

Address: Operational Base + offset (0x0034)

Bit	Attr	Reset Value	Description
31	RW	0x0	sw_filter_outbuf_mode Active at sw_fbc_e=1 1'b0: Fbchead write ddr with 64byte align 1'b1: Fbchead write ddr not almost 64byte align
30	RO	0x0	Reserved
29	RW	0x0	sw_rd_ctrl_prior_mode 1'b0 : Rcb data prior higher than referance data 1'b1 : Rcb data prior lower than referance data
28	RW	0x0	sw_rd_prior_mode 1'b0 : Used default mode 1'b1 : Used ctrl mode

Bit	Attr	Reset Value	Description
27	RW	0x0	sw_frame_end_err_rst_flag sw_error_mode should be 1 at first 1'b0: When there is stream/inter_ref error, and hardware decode frame end, will not be reset 1'b1: When there is stream/inter_ref error, and hardware decode frame end, will be reset
26	RW	0x0	sw_right_auto_rst_disable Secoder each frame end with auto reset select, but mmu do not auto reset,default is auto reset 1'b0:Decoder each frame end with auto reset enable 1'b1:Decoder each frame end with auto reset disable
25	RO	0x0	Reserved
24	RW	0x0	sw_cur_pic_is_idr All frame is I frame flag.
23:22	RO	0x0	Reserved
21	RW	0x0	sw_ycacherd_prior 1'b0: Y cacherd prior is higher than uv. 1'b1: Y cache prior is equal than uv. Fbc mode: Sw_head_prior_high_en. 1'b0: Fbc head fetch data prior normal. 1'b1: Fbc head fetch data prior high.
20:19	RO	0x0	Reserved
18	RW	0x0	sw_error_mode For H264/hevc/avs2: 1'b0: When there is any error, the hardware will stop the decoder and reset itself. 1'b1: When there is any error, the hardware will start error proc and wait frame end. It is recommend that when vp9, it is configed to 1'b0.
17:14	RO	0x0	Reserved
13	RW	0x0	sw_fbc_output_wr_disable 1'b0 : Fbc output picture data will be write to ddr when sw_fbc_e=1 1'b1 : Fbc output picture data will not be write to ddr even if sw_fbc_e=1
12	RW	0x0	sw_allow_not_wr_unref_bframe 1'b0: If dec not referance b frame, will write to ddr. 1'b1: If dec not referance b frame, will not write to ddr. If wan't to set this bit to 1, should set sw_scl_down_en=1 also. It only used in hevc and unsupport tile mode.
11:7	RO	0x0	Reserved

Bit	Attr	Reset Value	Description
6	RW	0x0	sw_stmerror_waitdecfifo_empty When it is 1'b0, the stream error process will no wait the ca2decfifo empty; when it is 1'b1, the stream error process will wait the ca2decfifo empty, when sw_dec_mode is HEVC and VP9. It always take effect. When sw_dec_mode is H264. It only take effect, when sw_h264_error_mode is 1'b0.
5:4	RO	0x0	Reserved
3	RW	0x0	sw_dec_commonirq_mode 1'b0: In H264 and vp9 mode, the interrupt will wait strmd end pulse. 1'b1: In H264 and vp9 mode, the interrupt will not wait strmd end plus.
2	RO	0x0	Reserved
1	RW	0x0	sw_req_timeout_rst_sel use for multicore pu/colmv offset req timeout reset enable select active when the counter is 16'hffff 1'b0: Req timeout reset enable 1'b1: Req timeout reset disable
0	RO	0x0	Reserved

**RKVDEC SWREG14 FBC PARAM SET**

Address: Operational Base + offset (0x0038)

Bit	Attr	Reset Value	Description
31:7	RO	0x0	Reserved
6	RW	0x0	sw_fbc_h264_exten_4or8_flag It was h264 mbaff flag. 1'b0: Not mabff 1'b1: Mabff
5:4	RO	0x0	Reserved
3	RW	0x0	sw_allow_16x8_cp_flag 1'b0: Not allow 1'b1: Allow The config value is depend on vop work mode.
2:1	RO	0x0	Reserved
0	RW	0x0	sw_fbc_force_uncompress 1'b0: Allow fbce compress yuv block. 1'b1: Force all yuv block use uncompress mode.

**RKVDEC SWREG15 STREAM PARAM SET**

Address: Operational Base + offset (0x003c)

Bit	Attr	Reset Value	Description
31:12	RO	0x0	Reserved

Bit	Attr	Reset Value	Description
11:5	RW	0x00	sw_strm_start_bit Exact bit of streamd start word where decoding can be started (asosiates with sw_str_rlc_base).
4:2	RO	0x0	Reserved
1	RW	0x0	sw_rlc_mode 1'b0: Hw decodes video from bit stream. 1'b1: Hw decodes video from RLC input data.
0	RW	0x0	sw_rlc_mode_direct_write Cabac decode output direct write enable. When this bit is enable, all the module other than cabac and busifd are not work.

**RKVDEC SWREG16 STREAM LEN**

Address: Operational Base + offset (0x0040)

Bit	Attr	Reset Value	Description
31:0	RW	0x00000000	sw_stream_len Amount of stream 8bits in the input buffer, byte unitL. The max of sw_stream_len: $\min(65536 \times 65536 \times 1.5 \times 1.5, 4G) = 4G$ .

**RKVDEC SWREG17 SLICE NUMBER**

Address: Operational Base + offset (0x0044)

Bit	Attr	Reset Value	Description
31:25	RO	0x0	Reserved
24:0	RW	0x00000000	sw_slice_num Hevc: Slice number in a frame (0~199, when it is 0, it real means 1 slice in a frame), just only used for rps read. The meaning from count from 1, so it will be in 1~200. H264: Slice number in a frame (0~4095, when it is 1, it real means 1 slice in a frame). Vp9: No use.

**RKVDEC SWREG18 Y HOR STRIDE**

Address: Operational Base + offset (0x0048)

Bit	Attr	Reset Value	Description
31:16	RO	0x0	Reserved
15:0	RW	0x0000	sw_y_hor_virstride Picture horizontal virtual stride (the unit is 128bit). The max is $(4096 \times 1.5 + 128) / 16 = 0x188$ . Suggest this register to config to even for advance ddr performance. Fbc mode: Used for head hor virstirde.

**RKVDEC SWREG19 UV HOR STRIDE**

Address: Operational Base + offset (0x004c)

Bit	Attr	Reset Value	Description
31:16	RO	0x0	Reserved
15:0	RW	0x0000	sw_uv_hor_virstride Picture horizontal virtual stride (the unit is 128bit). The max is $(4096 \times 1.5 + 128) / 16 = 0x188$ . Suggest this register to config to even for advance ddr performance.

**RKVDEC SWREG20 FBC PAYLOAD OFFSET**

Address: Operational Base + offset (0x0050)

Bit	Attr	Reset Value	Description
31:4	RW	0x0000000	sw_fbc_payload_base_addr The offset should be 128bit align. [Note]: The payload will be store in the base: Sw_decout_base + Sw_payload_st_offset.
3:0	RO	0x0	Reserved

**RKVDEC SWREG20 Y STRIDE**

Address: Operational Base + offset (0x0050)

Bit	Attr	Reset Value	Description
31:28	RO	0x0	Reserved
27:0	RW	0x0000000	sw_y_virstride The output picture y virtual stride (the unit is 128bit). The max:min( $(65536 \times 1.5 + 128) \times 65536, 4G$ ) = 4G. We can know the sw_uvout_base = sw_decout_base + (sw_y_virstride <<4).

**RKVDEC SWREG21 ERROR CTRL SET**

Address: Operational Base + offset (0x0054)

Bit	Attr	Reset Value	Description
31:25	RO	0x0	Reserved
24	RW	0x0	sw_roi_error_ctu_cal_en 1'b0: Disable 1'b1: Enable
23:13	RO	0x0	Reserved
12	RW	0x0	sw_error_inter_pred_cross_slice 1'b0 : Inter mv pred can't cross slice boundary 1'b1 : Inter mv pred will cross slice boundary it only be used when Sw_inter_error_prc_mode=0
11:9	RO	0x0	Reserved

Bit	Attr	Reset Value	Description
8	RW	0x0	sw_error_spread_e 1'b0: Error info spread disable. 1'b1: Error info spread enable. error info spread unit is ctu size H264/HEVC/AVS2 available
7:3	RW	0x00	Sw_picidx_replace Hevc: [4:1]: Default pic idx [0]: Invalid H264: [4:1]: Default pic idx [0]: Field mode, 0 is top field.
2	RW	0x0	Sw_error_deb_en 1'b0: Disable 1'b1: Enable Only valid when sw_error_prc_intra_mode_sel = 1'b1.
1	RW	0x0	Sw_error_intra_mode 1'b0: Use inter mode to proc error ctu. 1'b1: Use intra mode to proc error ctu.
0	RW	0x0	Sw_inter_error_prc_mode 1'b0: Mv used pred. 1'b1: Mv=0, and sw_error_ref_base will be used.

**RKVDEC SWREG22 ERR ROI CTU OFFSET START**

Address: Operational Base + offset (0x0058)

Bit	Attr	Reset Value	Description
31:28	RO	0x0	Reserved
27:16	RW	0x000	sw_roi_y_ctu_offset_st The start offset of ctu_y when roi check.
15:12	RO	0x0	Reserved
11:0	RW	0x000	sw_roi_x_ctu_offset_st The start offset of ctu_x when roi check.

**RKVDEC SWREG23 ERR ROI CTU OFFSET END**

Address: Operational Base + offset (0x005c)

Bit	Attr	Reset Value	Description
31:28	RO	0x0	Reserved
27:16	RW	0x000	sw_roi_y_ctu_offset_end The end offset of ctu_y when roi check.
15:12	RO	0x0	Reserved
11:0	RW	0x000	sw_roi_x_ctu_offset_end The end offset of ctu_x when roi check.

**RKVDEC SWREG24 CABAC ERROR EN LOWBITS**



## ***RK3588 TRM-Part1***

Address: Operational Base + offset (0x0060)

<b>Bit</b>	<b>Attr</b>	<b>Reset Value</b>	<b>Description</b>
31:0	RW	0x00000000	sw_cabac_error_en_lowbits Cabac error enable config.

### **RKVDEC SWREG25 CABAC ERROR EN HIGHBITS**

Address: Operational Base + offset (0x0064)

<b>Bit</b>	<b>Attr</b>	<b>Reset Value</b>	<b>Description</b>
31:30	RO	0x0	Reserved
29:0	RW	0x00000000	sw_cabac_error_en_highbits Cabac error enable high bits config.

### **RKVDEC SWREG26 BLOCK GATING EN**

Address: Operational Base + offset (0x0068)

<b>Bit</b>	<b>Attr</b>	<b>Reset Value</b>	<b>Description</b>
31	RW	0x0	sw_reg_cfg_gating_en 1'b0: Disable 1'b1: Enable auto gating
30:18	RO	0x0	Reserved
17	RW	0x0	sw_cru_auto_gating_e 1'b0: Disable 1'b1: Enable auto gating
16	RW	0x0	sw_sram_auto_gating_e 1'b0: Disable 1'b1: Enable auto gating
15:12	RO	0x0	Reserved
11	RW	0x0	sw_transd_auto_gating_e 1'b0: Disable 1'b1: Enable auto gating
10	RW	0x0	sw_mc_auto_gating_e 1'b0: Disable 1'b1: Enable auto gating
9	RW	0x0	sw_intra_auto_gating_e 1'b0: Disable 1'b1: Enable auto gating
8	RW	0x0	sw_dec_ctrl_auto_gating_e 1'b0: Disable 1'b1: Enable auto gating
7:5	RO	0x0	Reserved
4	RW	0x0	sw_busifd_auto_gating_e 1'b0: Disable 1'b1: Enable auto gating

Bit	Attr	Reset Value	Description
3	RW	0x0	sw_mcp_auto_gating_e block access to ccu 1'b0: Disable 1'b1: Enable auto gating
2	RW	0x0	sw_strmd_auto_gating_e 1'b0: Disable 1'b1: Enable auto gating
1	RW	0x0	sw_filterd_auto_gating_e 1'b0: Disable 1'b1: Enable auto gating
0	RW	0x0	sw_inter_auto_gating_e 1'b0: Disable 1'b1: Enable auto gating

**RKVDEC SWREG27 CORE SAFE PIXELS**

Address: Operational Base + offset (0x006c)

Bit	Attr	Reset Value	Description
31:16	RW	0x0000	sw_core_safe_y_pixles Colmv and recon report coord y safe pixels
15:0	RW	0x0000	sw_core_safe_x_pixles Colmv and recon report coord x safe pixels

**RKVDEC SWRE28 MULTIPLY CORE CTRL**

Address: Operational Base + offset (0x0070)

Bit	Attr	Reset Value	Description
31:30	RO	0x0	Reserved
29	RW	0x0	sw_colmv_req_mismatch_dis inter colmv set req flag care refpoc mismatch flag is 1 or not 1'b0: Inter colmv set req flag care mismatch flag 1'b1: Inter colmv set req flag not care mismatch flag
28	RW	0x0	sw_pu_req_mismatch_dis inter pu set req flag care refpoc mismatch flag is 1 or not 1'b0: Inter pu set req flag care mismatch flag 1'b1: Inter pu set req flag not care mismatch flag
27:26	RO	0x0	Reserved
25:16	RW	0x000	sw_film_idx Film index is separe from difference decode sequences
15:12	RO	0x0	Reserved
11	RW	0x0	sw_poc_arb_flag multiply core use poc arb flag, without common 32bits poc , but not include vp9 format. 1'b0:Use common 32bits base addr flag; 1'b1:Use common 32bits poc or highbit poc flag;

Bit	Attr	Reset Value	Description
10	RW	0x0	sw_poc_only_highbit_flag multiply core use only highbit poc flag, without common 32bits poc ,but not include vp9 format. 1'b0:Use common 32bits poc and highbit poc flag; 1'b1:Only use highbit poc flag;
9	RW	0x0	sw_colmv_req_advance_flag Inter colmv data require with advance 1/4 picture right and height flag 1'b0: Pixels offset not advance 1'b1: Pixels x and y offset both advance
8	RW	0x0	sw_ref_req_advance_flag inter pu reference pred data require with advance 1/4 picture right and height flag 1'b0: Pixels offset not advance 1'b1: Pixels x and y offset both advance
7	RO	0x0	Reserved
6:4	RW	0x0	sw_vp9_rd_prob_idx Reference prob index only vp9 used
3	RO	0x0	Reserved
2:0	RW	0x0	sw_vp9_wr_prob_idx Current prob index only vp9 used

**RKVDEC SWRE29 SCALE DOWN CTRL**

Address: Operational Base + offset (0x0074)

Bit	Attr	Reset Value	Description
31:10	RO	0x0	Reserved
9:8	RW	0x0	sw_scale_down_vrz_ratio 2'd1 : vrz not scale down 2'd2 : vrz 2-ratio scale down Other: Reserved
7:2	RO	0x0	Reserved
1:0	RW	0x0	sw_scale_down_hor_ratio 2'd1 : horization not scale down 2'd2 : horization 2-ratio scale down Other: Reserved

**RKVDEC SWREG30 Y SCALE DOWN TILE8X8 HOR STRIDE**

Address: Operational Base + offset (0x0078)

Bit	Attr	Reset Value	Description
31:20	RO	0x0	Reserved
19:0	RW	0x00000	sw_y_scale_down_tile8x8_hor_stride Picture horizontal virtual stride (the unit is 128bit).

**RKVDEC SWREG31 UV SCALE DOWN TILE8X8 HOR STRIDE**

## RK3588 TRM-Part1

Address: Operational Base + offset (0x007c)

Bit	Attr	Reset Value	Description
31:20	RO	0x0	Reserved
19:0	RW	0x00000	sw_uv_scale_down8x8_tile_hor_stride Picture horizontal virtual stride (the unit is 128bit).

### **RKVDEC\_SWREG32\_TIMEOUT\_THRESHOLD**

Address: Operational Base + offset (0x0080)

Bit	Attr	Reset Value	Description
31:0	RW	0x00000000	sw_timeout_threshold Ack cnt if equal to sw_timeout_threshold,it will give timeout.

### **RKVDEC\_SWREG64\_VP9\_SET**

Address: Operational Base + offset (0x0100)

Bit	Attr	Reset Value	Description
31:16	RO	0x0	Reserved
15:0	RW	0x0000	sw_vp9_cprheader_offset Vp9 compressed header offset, at most 2000 probs, 10bit per prob, 20000 bit at most. Now is for no use, because it can read from the last syntax of the uncompressed header.

### **RKVDEC\_SWREG64\_H26X\_SET**

Address: Operational Base + offset (0x0100)

Bit	Attr	Reset Value	Description
31:5	RO	0x0	Reserved
4	RW	0x0	sw_h264_first_slice_flag 1'b0: No First packet in the frame 1'b1: First packet in the frame, for h264 decode to read rps/pps data,because the first_mb_in_slice may be wrong, so need this syntax.
3	RW	0x0	sw_h26x_stream_lastpacket When sw_h26x_stream_mode is 1'b1, sw_h26x_stream_lastpacket. 1'b0: This packet is not the last packet of frame. 1'b1: The packet is the last packet of frame.
2	RW	0x0	sw_h26x_stream_mode 1'b0: Stream packet is slice by slice or frame by frame, should use sw_h26x_frame_orslice. 1'b1: Stream packet is random, should use sw_h26x_stream_last.
1	RW	0x0	sw_h26x_rps_mode 1'b0: Hardware parse rps mode. 1'b1: Software parse rps mode.

**RK3588 TRM-Part1**

Bit	Attr	Reset Value	Description
0	RW	0x0	sw_h26x_frame_orslice For H26x use 1'b0: Frame 1'b1: Slice When sw_h26x_streamd_mode is 1'b0, this register is valid.

**RKVDEC SWREG65 CUR POC**

Address: Operational Base + offset (0x0104)

Bit	Attr	Reset Value	Description
31:0	RW	0x00000000	sw_cur_poc The poc of the cur picture. For H264, it may be cur frame poc or cur top field poc.

**RKVDEC SWREG66 H264 CUR POC1**

Address: Operational Base + offset (0x0108)

Bit	Attr	Reset Value	Description
31:0	RW	0x00000000	sw_h264_cur_poc1 H264 cur poc for bottom field.

**RKVDEC SWREG67 VP9 SEGID GRP0**

Address: Operational Base + offset (0x010c)

Bit	Attr	Reset Value	Description
31:23	RO	0x0	Reserved
22	RW	0x0	sw_vp9segid0_frame_skip_en Frame skip feature enable.
21:20	RW	0x0	sw_vp9segid0_referinfo Specifies segment i's reference_info which is used to get ref_frame[0].
19	RW	0x0	sw_vp9segid0_referinfo_en Frame reference info enable.
18:12	RW	0x00	sw_vp9segid0_frame_loopfilter_value Specifies segment i's loopfilter_delta value which is used to calculate filter level.
11	RW	0x0	sw_vp9segid0_frame_loopfilter_value_en Frame_loopfilter_value feature enable.
10:2	RW	0x000	sw_vp9segid0_frame_qp_delta Specifies segment i's qp_delta value which is used to calculate y_dequant and uv_dequant.
1	RW	0x0	sw_vp9segid0_frame_qp_delta_en Frame_qp_delta feature enable.
0	RW	0x0	sw_vp9segid0_abs_delta Used to decide quant and loopfilter param.

**RKVDEC SWREG67 REF0 POC**

Address: Operational Base + offset (0x010c)

Bit	Attr	Reset Value	Description
31:0	RW	0x00000000	sw_refer0_poc Hevc & h264 & avs2: The poc of reference picture index 0.

**RKVDEC SWREG68 VP9 SEGID GRP1**

Address: Operational Base + offset (0x0110)

Bit	Attr	Reset Value	Description
31:23	RO	0x0	Reserved
22	RW	0x0	sw_vp9segid1_frame_skip_en Frame skip feature enable.
21:20	RW	0x0	sw_vp9segid1_referinfo Specifies segment i's reference_info which is used to get ref_frame[0].
19	RW	0x0	sw_vp9segid1_referinfo_en Frame reference info enable.
18:12	RW	0x00	sw_vp9segid1_frame_loopfilter_value Specifies segment i's loopfilter_delta value which is used to calculate filter level.
11	RW	0x0	sw_vp9segid1_frame_loopfilter_value_en Frame_loopfilter_value feature enable.
10:2	RW	0x000	sw_vp9segid1_frame_qp_delta Specifies segment i's qp_delta value which is used to calculate y_dequant and uv_dequant.
1	RW	0x0	sw_vp9segid1_frame_qp_delta_en Frame_qp_delta feature enable.
0	RO	0x0	Reserved

**RKVDEC SWREG68 REF1 POC**

Address: Operational Base + offset (0x0110)

Bit	Attr	Reset Value	Description
31:0	RW	0x00000000	sw_refer1_poc Hevc & h264 & avs2: The poc of reference picture index 1.

**RKVDEC SWREG69 VP9 SEGID GRP2**

Address: Operational Base + offset (0x0114)

Bit	Attr	Reset Value	Description
31:23	RO	0x0	Reserved
22	RW	0x0	sw_vp9segid2_frame_skip_en Frame skip feature enable.
21:20	RW	0x0	sw_vp9segid2_referinfo Specifies segment i's reference_info which is used to get ref_frame[0].

Bit	Attr	Reset Value	Description
19	RW	0x0	sw_vp9segid2_referinfo_en Frame reference info enable.
18:12	RW	0x00	sw_vp9segid2_frame_loopfilter_value Specifies segment i's loopfilter_delta value which is used to calculate filter level.
11	RW	0x0	sw_vp9segid2_frame_loopfitler_value_en Frame_loopfilter_value feature enable.
10:2	RW	0x000	sw_vp9segid2_frame_qp_delta Specifies segment i's qp_delta value which is used to calculate y_dequant and uv_dequant.
1	RW	0x0	sw_vp9segid2_frame_qp_delta_en Frame_qp_delta feature enable.
0	RO	0x0	Reserved

**RKVDEC\_SWREG69\_REF2\_POC**

Address: Operational Base + offset (0x0114)

Bit	Attr	Reset Value	Description
31:0	RW	0x00000000	sw_refer2_poc Hevc & h264 & avs2: The poc of reference picture index 2.

**RKVDEC\_SWREG70\_VP9\_SEGID\_GRP3**

Address: Operational Base + offset (0x0118)

Bit	Attr	Reset Value	Description
31:23	RO	0x0	Reserved
22	RW	0x0	sw_vp9segid3_frame_skip_en Frame skip feature enable.
21:20	RW	0x0	sw_vp9segid3_referinfo Specifies segment i's reference_info which is used to get ref_frame[0].
19	RW	0x0	sw_vp9segid3_referinfo_en Frame reference info enable.
18:12	RW	0x00	sw_vp9segid3_frame_loopfilter_value Specifies segment i's loopfilter_delta value which is used to calculate filter level.
11	RW	0x0	sw_vp9segid3_frame_loopfitler_value_en Frame_loopfilter_value feature enable.
10:2	RW	0x000	sw_vp9segid3_frame_qp_delta Specifies segment i's qp_delta value which is used to calculate y_dequant and uv_dequant.
1	RW	0x0	sw_vp9segid3_frame_qp_delta_en Frame_qp_delta feature enable.
0	RO	0x0	Reserved

**RKVDEC\_SWREG70\_REF3\_POC**

## RK3588 TRM-Part1

Address: Operational Base + offset (0x0118)

Bit	Attr	Reset Value	Description
31:0	RW	0x00000000	sw_refer3_poc Hevc & h264 & avs2: The poc of reference picture index 3.

### **RKVDEC\_SWREG71\_VP9\_SEGID\_GRP4**

Address: Operational Base + offset (0x011c)

Bit	Attr	Reset Value	Description
31:23	RO	0x0	Reserved
22	RW	0x0	sw_vp9segid4_frame_skip_en Frame skip feature enable.
21:20	RW	0x0	sw_vp9segid4_referinfo Specifies segment i's reference_info which is used to get ref_frame[0].
19	RW	0x0	sw_vp9segid4_referinfo_en Frame reference info enable.
18:12	RW	0x00	sw_vp9segid4_frame_loopfilter_value Specifies segment i's loopfilter_delta value which is used to calculate filter level.
11	RW	0x0	sw_vp9segid4_frame_loopfilter_value_en Frame_loopfilter_value feature enable.
10:2	RW	0x000	sw_vp9segid4_frame_qp_delta Specifies segment i's qp_delta value which is used to calculate y_dequant and uv_dequant.
1	RW	0x0	sw_vp9segid4_frame_qp_delta_en Frame_qp_delta feature enable.
0	RO	0x0	Reserved

### **RKVDEC\_SWREG71\_REF4\_POC**

Address: Operational Base + offset (0x011c)

Bit	Attr	Reset Value	Description
31:0	RW	0x00000000	sw_refer4_poc Hevc & h264 & avs2: The poc of reference picture index 4.

### **RKVDEC\_SWREG72\_VP9\_SEGID\_GRP5**

Address: Operational Base + offset (0x0120)

Bit	Attr	Reset Value	Description
31:23	RO	0x0	Reserved
22	RW	0x0	sw_vp9segid5_frame_skip_en Frame skip feature enable.
21:20	RW	0x0	sw_vp9segid5_referinfo Specifies segment i's reference_info which is used to get ref_frame[0].
19	RW	0x0	Sw_vp9segid5_referinfo_en Frame reference info enable.



Bit	Attr	Reset Value	Description
18:12	RW	0x00	sw_vp9segid5_frame_loopfilter_value Specifies segment i's loopfilter_delta value which is used to calculate filter level.
11	RW	0x0	sw_vp9segid5_frame_loopfitler_value_en Frame_loopfilter_value feature enable.
10:2	RW	0x000	sw_vp9segid5_frame_qp_delta Specifies segment i's qp_delta value which is used to calculate y_dequant and uv_dequant.
1	RW	0x0	sw_vp9segid5_frame_qp_delta_en Frame_qp_delta feature enable.
0	RO	0x0	Reserved

**RKVDEC SWREG72 REF5 POC**

Address: Operational Base + offset (0x0120)

Bit	Attr	Reset Value	Description
31:0	RW	0x00000000	sw_refer5_poc Hevc & h264 & avs2: The poc of reference picture index 5.

**RKVDEC SWREG73 VP9 SEGID GRP6**

Address: Operational Base + offset (0x0124)

Bit	Attr	Reset Value	Description
31:23	RO	0x0	Reserved
22	RW	0x0	sw_vp9segid6_frame_skip_en Frame skip feature enable.
21:20	RW	0x0	sw_vp9segid6_referinfo Specifies segment i's reference_info which is used to get ref_frame[0].
19	RW	0x0	sw_vp9segid6_referinfo_en Frame reference info enable.
18:12	RW	0x00	sw_vp9segid6_frame_loopfilter_value Specifies segment i's loopfilter_delta value which is used to calculate filter level.
11	RW	0x0	sw_vp9segid6_frame_loopfitler_value_en Frame_loopfilter_value feature enable.
10:2	RW	0x000	sw_vp9segid6_frame_qp_delta Specifies segment i's qp_delta value which is used to calculate y_dequant and uv_dequant.
1	RW	0x0	sw_vp9segid6_frame_qp_delta_en Frame_qp_delta feature enable.
0	RO	0x0	Reserved

**RKVDEC SWREG73 REF6 POC**

Address: Operational Base + offset (0x0124)

Bit	Attr	Reset Value	Description
31:0	RW	0x00000000	sw_refer6_poc Hevc & h264 & avs2: The poc of reference picture index 6.

**RKVDEC SWREG74 VP9 SEGID GRP7**

Address: Operational Base + offset (0x0128)

Bit	Attr	Reset Value	Description
31:23	RO	0x0	Reserved
22	RW	0x0	sw_vp9segid7_frame_skip_en Frame skip feature enable.
21:20	RW	0x0	sw_vp9segid7_referinfo Specifies segment i's reference_info which is used to get ref_frame[0].
19	RW	0x0	sw_vp9segid7_referinfo_en Frame reference info enable.
18:12	RW	0x00	sw_vp9segid7_frame_loopfilter_value Specifies segment i's loopfilter_delta value which is used to calculate filter level.
11	RW	0x0	sw_vp9segid7_frame_loopfilter_value_en Frame_loopfilter_value feature enable.
10:2	RW	0x000	sw_vp9segid7_frame_qp_delta Specifies segment i's qp_delta value which is used to calculate y_dequant and uv_dequant.
1	RW	0x0	sw_vp9segid7_frame_qp_delta_en Frame_qp_delta feature enable.
0	RO	0x0	Reserved

**RKVDEC SWREG74 REF7 POC**

Address: Operational Base + offset (0x0128)

Bit	Attr	Reset Value	Description
31:0	RW	0x00000000	sw_refer7_poc Hevc & h264 & avs2: The poc of reference picture index 7.

**RKVDEC SWREG75 VP9 INFO LASTFRAME**

Address: Operational Base + offset (0x012c)

Bit	Attr	Reset Value	Description
31:23	RO	0x0	Reserved
22:20	RW	0x0	sw_vp9_color_space_lastkeyframe Vp9 last keyframe color_space.
19	RW	0x0	sw_vp9_last_widheight_eqcur Last width and height equal cur frame.
18	RW	0x0	sw_vp9_last_intra_only Vp9 last frame intra only flag, to give inter command use. It is for last_dec_frame.

Bit	Attr	Reset Value	Description
17	RW	0x0	sw_vp9_last_showframe For cal the flag use_prev_in_find_mv_refs which is to inter cmd. It is for last_dec_frame.
16	RW	0x0	sw_segmentation_enable_1stframe 1'b0: Sw_segmentation_disable for last frame. 1'b1: Sw_segmentation_enable for last frame. It is for last_dec_frame.
15:14	RO	0x0	Reserved
13:0	RW	0x0000	sw_vp9_mode_deltas_lastframe Vp9 mode deltas It is for last dec frame.

**RKVDEC SWREG75 REF8 POC**

Address: Operational Base + offset (0x012c)

Bit	Attr	Reset Value	Description
31:0	RW	0x00000000	sw_refer8_poc Hevc & h264: The poc of reference picture index 8.

**RKVDEC SWREG76 VP9 CPRHEADER CONFIG**

Address: Operational Base + offset (0x0130)

Bit	Attr	Reset Value	Description
31:5	RO	0x0	Reserved
4:3	RW	0x0	sw_vp9_frame_reference_mode Frame_reference_mode specifies frame reference mode. SINGLE_REFERENCE = 0, COMPOUND_REFERENCE = 1, REFERENCE_MODE_SELECT = 2, REFERENCE_MODES = 3, When frame_reference_mode_flag0 is not present ,it equal to 0 by default. When frame_reference_mode_flag1 is not present ,it equal to 0 by default. frame_reference_mode = frame_reference_mode_flag0 == 0 ? frame_reference_mode_flag1 == 0 ? REFERENCE_MODE_SELECT : COMPOUND_REFERENCE) : SINGLE_REFERENCE
2:0	RW	0x0	sw_vp9_tx_mode Tx_mode specifies frame transform mode. ONLY_4X4 = 0, // only 4x4 transform used. ALLOW_8X8 = 1, // allow block transform size up to 8x8. ALLOW_16X16 = 2, // allow block transform size up to 16x16. ALLOW_32X32 = 3, // allow block transform size up to 32x32. TX_MODE_SELECT = 4, // transform specified for each block.

**RKVDEC SWREG76 REF9 POC**

Address: Operational Base + offset (0x0130)

Bit	Attr	Reset Value	Description
31:0	RW	0x00000000	sw_refer9_poc Hevc & h264: The poc of reference picture index 9.

**RKVDEC SWREG77 VP9 INTERCMD\_NUM**

Address: Operational Base + offset (0x0134)

Bit	Attr	Reset Value	Description
31:24	RO	0x0	Reserved
23:0	RW	0x000000	sw_vp9_intercmd_num When rlc_mode is 1'b1, for sw_vp9_intercmd_num. It's unit is 128bit. It count from 1.

**RKVDEC SWREG77 REF10 POC**

Address: Operational Base + offset (0x0134)

Bit	Attr	Reset Value	Description
31:0	RW	0x00000000	sw_refer10_poc Hevc & h264: The poc of reference picture index 10.

**RKVDEC SWREG78 VP9 STREAM\_SIZE**

Address: Operational Base + offset (0x0138)

Bit	Attr	Reset Value	Description
31:0	RW	0x00000000	sw_vp9_stream_size The size of vp9 compressed header and compressed frame data. Its unit is byte. The real meaning the current frame size.

**RKVDEC SWREG78 REF11 POC**

Address: Operational Base + offset (0x0138)

Bit	Attr	Reset Value	Description
31:0	RW	0x00000000	sw_refer11_poc Hevc & h264: The poc of reference picture index 11.

**RKVDEC SWREG79 VP9 LASTF\_Y\_HOR\_VIRSTRIDE**

Address: Operational Base + offset (0x013c)

Bit	Attr	Reset Value	Description
31:16	RO	0x0	Reserved
15:0	RW	0x0000	sw_vp9_lastfy_hor_virstride Vp9 last frame y horizontal virstride. For fbc mode: Vp9 head hor stride of last frame.

**RKVDEC SWREG79 REF12 POC**

## **RK3588 TRM-Part1**

Address: Operational Base + offset (0x013c)

<b>Bit</b>	<b>Attr</b>	<b>Reset Value</b>	<b>Description</b>
31:0	RW	0x00000000	sw_refer12_poc Hevc & h264: The poc of reference picture index 12.

### **RKVDEC SWREG80 VP9 LASTF UV HOR VIRSTRIDE**

Address: Operational Base + offset (0x0140)

<b>Bit</b>	<b>Attr</b>	<b>Reset Value</b>	<b>Description</b>
31:16	RO	0x0	Reserved
15:0	RW	0x0000	sw_vp9_lastfuv_hor_virstride Vp9 last frame uv horizontal virstride.

### **RKVDEC SWREG80 REF13 POC**

Address: Operational Base + offset (0x0140)

<b>Bit</b>	<b>Attr</b>	<b>Reset Value</b>	<b>Description</b>
31:0	RW	0x00000000	sw_refer13_poc Hevc & h264: The poc of reference picture index 13.

### **RKVDEC SWREG81 VP9 GOLDENF Y HOR VIRSTRIDE**

Address: Operational Base + offset (0x0144)

<b>Bit</b>	<b>Attr</b>	<b>Reset Value</b>	<b>Description</b>
31:16	RO	0x0	Reserved
15:0	RW	0x0000	sw_vp9_goldenfy_hor_virstride Vp9 golden frame y horizontal virstride. For fbc mode: Vp9 head hor stride of golden frame.

### **RKVDEC SWREG81 REF14 POC**

Address: Operational Base + offset (0x0144)

<b>Bit</b>	<b>Attr</b>	<b>Reset Value</b>	<b>Description</b>
31:0	RW	0x00000000	sw_refer14_poc Hevc & h264: The poc of reference picture index 14.

### **RKVDEC SWREG82 VP9 GOLDEN UV HOR VIRSTRIDE**

Address: Operational Base + offset (0x0148)

<b>Bit</b>	<b>Attr</b>	<b>Reset Value</b>	<b>Description</b>
31:16	RO	0x0	Reserved
15:0	RW	0x0000	sw_vp9_goldenuv_hor_virstride Vp9 golden uv horizontal virstride.

### **RKVDEC SWREG82 REF15 POC**

Address: Operational Base + offset (0x0148)

Bit	Attr	Reset Value	Description
31:0	RW	0x00000000	sw_refer15_poc The poc of reference picture index 15. Used to hevc for mvc.

**RKVDEC SWREG83 VP9 ALTREFF Y HOR VIRSTRIDE**

Address: Operational Base + offset (0x014c)

Bit	Attr	Reset Value	Description
31:16	RO	0x0	Reserved
15:0	RW	0x0000	sw_vp9_altreffy_hor_virstride Vp9 altref frame y horizontal virstride. For fbc mode: Vp9 head hor stride of after frame.

**RKVDEC SWREG83 REF16 POC**

Address: Operational Base + offset (0x014c)

Bit	Attr	Reset Value	Description
31:0	RW	0x00000000	sw_refer16_poc H264: The poc of reference picture index 16. Hevc & vp9: Now is no use.

**RKVDEC SWREG84 VP9 ALTREFF UV HOR VIRSTRIDE**

Address: Operational Base + offset (0x0150)

Bit	Attr	Reset Value	Description
31:16	RO	0x0	Reserved
15:0	RW	0x0000	sw_vp9_altreffuv_hor_virstride Vp9 altreff uv horizontal virstride.

**RKVDEC SWREG84 REF17 POC**

Address: Operational Base + offset (0x0150)

Bit	Attr	Reset Value	Description
31:0	RW	0x00000000	sw_refer17_poc H264: The poc of reference picture index 17. Hevc & vp9: Now is no use.

**RKVDEC SWREG85 VP9 LASTF Y VIRSTRIDE**

Address: Operational Base + offset (0x0154)

Bit	Attr	Reset Value	Description
31:28	RO	0x0	Reserved
27:0	RW	0x00000000	sw_vp9_lastfy_virstride Vp9 last frame y stride.

**RKVDEC SWREG85 REF18 POC**

Address: Operational Base + offset (0x0154)

Bit	Attr	Reset Value	Description
31:0	RW	0x00000000	sw_refer18_poc H264: The poc of reference picture index 18. Hvc & vp9: Now is no use.

**RKVDEC SWREG86 VP9 GOLDEN Y VIRSTRIDE**

Address: Operational Base + offset (0x0158)

Bit	Attr	Reset Value	Description
31:28	RO	0x0	Reserved
27:0	RW	0x00000000	sw_vp9_goldeny_virstride Vp9 golden frame y stride.

**RKVDEC SWREG86 REF19 POC**

Address: Operational Base + offset (0x0158)

Bit	Attr	Reset Value	Description
31:0	RW	0x00000000	sw_refer19_poc H264: The poc of reference picture index 19. Hvc & vp9: Now is no use.

**RKVDEC SWREG87 VP9 ALTREF Y VIRSTRIDE**

Address: Operational Base + offset (0x015c)

Bit	Attr	Reset Value	Description
31:28	RO	0x0	Reserved
27:0	RW	0x00000000	sw_vp9_altrefy_virstride Vp9 altref frame y stride.

**RKVDEC SWREG87 REF20 POC**

Address: Operational Base + offset (0x015c)

Bit	Attr	Reset Value	Description
31:0	RW	0x00000000	sw_refer20_poc H264: The poc of reference picture index 20. Hvc & vp9: Now is no use.

**RKVDEC SWREG88 VP9 LREF HOR SCALE**

Address: Operational Base + offset (0x0160)

Bit	Attr	Reset Value	Description
31:16	RO	0x0	Reserved
15:0	RW	0x0000	sw_vp9_lref_hor_scale Horizontal scaling factor for last reference picture. Sw_vp9_lref_hor_scale = (last_ref_width / cur_width) * 0x4000.

**RKVDEC SWREG88 REF21 POC**

Address: Operational Base + offset (0x0160)

Bit	Attr	Reset Value	Description
31:0	RW	0x00000000	sw_refer21_poc H264: The poc of reference picture index 21. Hevc & vp9: Now is no use.

**RKVDEC SWREG89 VP9 LREF VER SCALE**

Address: Operational Base + offset (0x0164)

Bit	Attr	Reset Value	Description
31:16	RO	0x0	Reserved
15:0	RW	0x0000	sw_vp9_lref_ver_scale Vertical scaling factor for last reference picture.

**RKVDEC SWREG89 REF22 POC**

Address: Operational Base + offset (0x0164)

Bit	Attr	Reset Value	Description
31:0	RW	0x00000000	sw_refer22_poc H264: The poc of reference picture index 22. Hevc & vp9: Now is no use.

**RKVDEC SWREG90 VP9 GREF HOR SCALE**

Address: Operational Base + offset (0x0168)

Bit	Attr	Reset Value	Description
31:16	RO	0x0	Reserved
15:0	RW	0x0000	sw_vp9_gref_hor_scale Horizontal scaling factor for golden reference picture. $Sw\_vp9\_gref\_hor\_scale = (golden\_ref\_width / cur\_width) * 0x4000.$

**RKVDEC SWREG90 REF23 POC**

Address: Operational Base + offset (0x0168)

Bit	Attr	Reset Value	Description
31:0	RW	0x00000000	sw_refer23_poc H264: The poc of reference picture index 23. Hevc & vp9: Now is no use.

**RKVDEC SWREG91 VP9 GREF VER SCALE**

Address: Operational Base + offset (0x016c)

Bit	Attr	Reset Value	Description
31:16	RO	0x0	Reserved
15:0	RW	0x0000	sw_vp9_gref_ver_scale Vertical scaling factor for golden reference picture.

**RKVDEC SWREG91 REF24 POC**

Address: Operational Base + offset (0x016c)



Bit	Attr	Reset Value	Description
31:0	RW	0x00000000	Sw_refer24_poc H264: The poc of reference picture index 24. Hevc & vp9: Now is no use.

**RKVDEC SWREG92 VP9 AREF HOR SCALE**

Address: Operational Base + offset (0x0170)

Bit	Attr	Reset Value	Description
31:16	RO	0x0	Reserved
15:0	RW	0x0000	sw_vp9_aref_hor_scale Horizontal scaling factor for alter reference picture. $Sw\_vp9\_gref\_hor\_scale = (alter\_ref\_width / cur\_width) * 0x4000$ .

**RKVDEC SWREG92 REF25 POC**

Address: Operational Base + offset (0x0170)

Bit	Attr	Reset Value	Description
31:0	RW	0x00000000	sw_refer25_poc H264: The poc of reference picture index 25. Hevc & vp9: Now is no use.

**RKVDEC SWREG93 VP9 AREF VER SCALE**

Address: Operational Base + offset (0x0174)

Bit	Attr	Reset Value	Description
31:16	RO	0x0	Reserved
15:0	RW	0x0000	sw_vp9_aref_ver_scale Vertical scaling factor for alter reference picture.

**RKVDEC SWREG93 REF26 POC**

Address: Operational Base + offset (0x0174)

Bit	Attr	Reset Value	Description
31:0	RW	0x00000000	sw_refer26_poc H264: The poc of reference picture index 26. Hevc & vp9: Now is no use.

**RKVDEC SWREG94 VP9 REF DELTAS LASTFRAME**

Address: Operational Base + offset (0x0178)

Bit	Attr	Reset Value	Description
31:28	RO	0x0	Reserved
27:0	RW	0x00000000	sw_vp9_ref_deltas_lastframe Vp9 ref deltas of lastframe, for cal loopfilter filter type use.

**RKVDEC SWREG94 REF27 POC**

Address: Operational Base + offset (0x0178)

Bit	Attr	Reset Value	Description
31:0	RW	0x00000000	sw_refer27_poc H264: The poc of reference picture index 27. Hevc & vp9: Now is no use.

**RKVDEC SWREG95 VP9 LAST POC**

Address: Operational Base + offset (0x017c)

Bit	Attr	Reset Value	Description
31:0	RW	0x00000000	sw_vp9_last_poc VP9: The poc of last reference

**RKVDEC SWREG95 REF28 POC**

Address: Operational Base + offset (0x017c)

Bit	Attr	Reset Value	Description
31:0	RW	0x00000000	sw_refer28_poc H264: The poc of reference picture index 28. Hevc & vp9: Now is no use.

**RKVDEC SWREG96 VP9 GOLDEN POC**

Address: Operational Base + offset (0x0180)

Bit	Attr	Reset Value	Description
31:0	RW	0x00000000	sw_vp9_golden_poc VP9: The poc of golden reference

**RKVDEC SWREG96 REF29 POC**

Address: Operational Base + offset (0x0180)

Bit	Attr	Reset Value	Description
31:0	RW	0x00000000	sw_refer29_poc H264: The poc of reference picture index 29. Hevc & vp9: Now is no use.

**RKVDEC SWREG97 VP9 ALTREF POC**

Address: Operational Base + offset (0x0184)

Bit	Attr	Reset Value	Description
31:0	RW	0x00000000	sw_vp9_altref_poc VP9: The poc of altref reference

**RKVDEC SWREG97 REF30 POC**

Address: Operational Base + offset (0x0184)

Bit	Attr	Reset Value	Description
31:0	RW	0x00000000	sw_refer30_poc H264: The poc of reference picture index 30. Hevc & vp9: Now is no use.

**RKVDEC SWREG98 VP9 COL REF POC**

Address: Operational Base + offset (0x0188)

Bit	Attr	Reset Value	Description
31:0	RW	0x00000000	sw_vp9_col_ref_poc VP9: The poc of colpic reference

**RKVDEC SWREG98 REF31 POC**

Address: Operational Base + offset (0x0188)

Bit	Attr	Reset Value	Description
31:0	RW	0x00000000	sw_refer31_poc H264: The poc of reference picture index 31. Hvc & vp9: Now is no use.

**RKVDEC SWREG99 H264 REG0 3 INFO**

Address: Operational Base + offset (0x018c)

Bit	Attr	Reset Value	Description
31:28	RO	0x0	Reserved
27	RW	0x0	sw_ref3_colmv_use_flag Ref3 colmv use flag.
26	RW	0x0	sw_ref3_botfield_used Ref3 bottom field is used, the same meaning with ref_valid.
25	RW	0x0	sw_ref3_topfield_used Ref3 top field is used, the same meaning with ref_valid.
24	RW	0x0	sw_ref3_field 1'b0: Frame 1'b1: Field
23:20	RO	0x0	Reserved
19	RW	0x0	sw_ref2_colmv_use_flag Ref2 colmv use flag.
18	RW	0x0	sw_ref2_botfield_used Ref2 bottom field is used, the same meaning with ref_valid.
17	RW	0x0	sw_ref2_topfield_used Ref2 top field is used, the same meaning with ref_valid.
16	RW	0x0	sw_ref2_field 1'b0: Frame 1'b1: Field
15:12	RO	0x0	Reserved
11	RW	0x0	sw_ref1_colmv_use_flag Ref1 colmv use flag.
10	RW	0x0	sw_ref1_botfield_used Ref1 bottom field is used, the same meaning with ref_valid.
9	RW	0x0	sw_ref1_topfield_used Ref1 top field is used, the same meaning with ref_valid.

Bit	Attr	Reset Value	Description
8	RW	0x0	sw_ref1_field 1'b0: Frame 1'b1: Field
7:4	RO	0x0	Reserved
3	RW	0x0	sw_ref0_colmv_use_flag Ref0 colmv use flag.
2	RW	0x0	sw_ref0_botfield_used Ref0 bottom field is used, the same meaning with ref_valid.
1	RW	0x0	sw_ref0_topfield_used Ref0 top field is used, the same meaning with ref_valid.
0	RW	0x0	sw_ref0_field 1'b0: Frame 1'b1: Field

**RKVDEC\_SWREG99\_AV52\_REG0\_3\_INFO**

Address: Operational Base + offset (0x018c)

Bit	Attr	Reset Value	Description
31:28	RO	0x0	Reserved
27	RW	0x0	sw_ref3_valid_flag Reference picture3 used flag. 1'b0: Not be valid 1'b1: Be valid
26	RW	0x0	sw_ref3_botfield_used Refer3 is bottom field flag. 1'b0: Top field flag 1'b1: Bottom field flag
25	RO	0x0	Reserved
24	RW	0x0	sw_ref3_field 1'b0: Frame 1'b1: Field
23:20	RO	0x0	Reserved
19	RW	0x0	sw_ref2_valid_flag Reference picture2 used flag. 1'b0: Not be valid 1'b1: Be valid
18	RW	0x0	sw_ref2_botfield_used Refer2 is bottom field flag. 1'b0: Top field flag 1'b1: Bottom field flag
17	RO	0x0	Reserved
16	RW	0x0	sw_ref2_field 1'b0: Frame 1'b1: Field
15:12	RO	0x0	Reserved

Bit	Attr	Reset Value	Description
11	RW	0x0	sw_ref1_valid_flag Reference picture1 used flag. 1'b0: Not be valid 1'b1: Be valid
10	RW	0x0	Sw_ref1_botfield_used Refer1 is bottom field flag. 1'b0: Top field flag 1'b1: Bottom field flag
9	RO	0x0	Reserved
8	RW	0x0	sw_ref1_field 1'b0: Frame 1'b1: Field
7:4	RO	0x0	Reserved
3	RW	0x0	sw_ref0_valid_flag Reference picture0 used flag. 1'b0: Not be valid 1'b1: Be valid
2	RW	0x0	sw_ref0_botfield_used Refer0 is bottom field flag. 1'b0: Top field flag 1'b1: Bottom field flag
1	RO	0x0	Reserved
0	RW	0x0	sw_ref0_field 1'b0: Frame 1'b1: Field

**RKVDEC SWREG99 VP9 PROB REF POC**

Address: Operational Base + offset (0x018c)

Bit	Attr	Reset Value	Description
31:16	RO	0x0	Reserved
15:0	RW	0x0000	sw_vp9_prob_ref_poc VP9: The poc of reference prob

**RKVDEC SWREG99 HEVC REF VALID**

Address: Operational Base + offset (0x018c)

Bit	Attr	Reset Value	Description
31:27	RO	0x0	Reserved
26	RW	0x0	sw_hevc_ref_valid_14 Valid flag for picture index 14.
25	RW	0x0	sw_hevc_ref_valid_13 Valid flag for picture index 13.
24	RW	0x0	sw_hevc_ref_valid_12 Valid flag for picture index 12.
23:20	RO	0x0	Reserved

Bit	Attr	Reset Value	Description
19	RW	0x0	sw_hevc_ref_valid_11 Valid flag for picture index 11.
18	RW	0x0	sw_hevc_ref_valid_10 Valid flag for picture index 10.
17	RW	0x0	sw_hevc_ref_valid_9 Valid flag for picture index 9.
16	RW	0x0	sw_hevc_ref_valid_8 Valid flag for picture index 8.
15:12	RO	0x0	Reserved
11	RW	0x0	sw_hevc_ref_valid_7 Valid flag for picture index 7.
10	RW	0x0	sw_hevc_ref_valid_6 Valid flag for picture index 6.
9	RW	0x0	sw_hevc_ref_valid_5 Valid flag for picture index 5.
8	RW	0x0	sw_hevc_ref_valid_4 Valid flag for picture index 4.
7:4	RO	0x0	Reserved
3	RW	0x0	sw_hevc_ref_valid_3 Valid flag for picture index 3.
2	RW	0x0	sw_hevc_ref_valid_2 Valid flag for picture index 2.
1	RW	0x0	sw_hevc_ref_valid_1 Valid flag for picture index 1.
0	RW	0x0	sw_hevc_ref_valid_0 Valid flag for picture index 0.

**RKVDEC\_SWREG100\_AVS2\_REG4\_7\_INFO**

Address: Operational Base + offset (0x0190)

Bit	Attr	Reset Value	Description
31:28	RO	0x0	Reserved
27	RW	0x0	sw_ref7_valid_flag Reference picture7 used flag. 1'b0: Not be valid 1'b1: Be valid
26	RW	0x0	sw_ref7_botfield_used Refer7 is bottom field flag. 1'b0: Top field flag 1'b1: Bottom field flag
25	RO	0x0	Reserved
24	RW	0x0	sw_ref7_field 1'b0: Frame 1'b1: Field
23:20	RO	0x0	Reserved

Bit	Attr	Reset Value	Description
19	RW	0x0	sw_ref6_valid_flag Reference picture6 used flag. 1'b0: Not be valid 1'b1: Be valid
18	RW	0x0	sw_ref6_botfield_used Refer6 is bottow field flag. 1'b0: Top field flag 1'b1: Bottom field flag
17	RO	0x0	Reserved
16	RW	0x0	sw_ref6_field 1'b0: Frame 1'b1: Field
15:12	RO	0x0	Reserved
11	RW	0x0	sw_ref5_valid_flag Reference picture5 used flag. 1'b0: Not be valid 1'b1: Be valid
10	RW	0x0	sw_ref5_botfield_used Refer5 is bottow field flag. 1'b0: Top field flag 1'b1: Bottom field flag
9	RO	0x0	Reserved
8	RW	0x0	sw_ref5_field 1'b0: Frame 1'b1: Field
7:4	RO	0x0	Reserved
3	RW	0x0	sw_ref4_valid_flag Reference picture4 used flag. 1'b0: Not be valid 1'b1: Be valid
2	RW	0x0	sw_ref4_botfield_used Refer4 is bottow field flag. 1'b0: Top field flag 1'b1: Bottom field flag
1	RO	0x0	Reserved
0	RW	0x0	sw_ref4_field 1'b0: Frame 1'b1: Field

**RKVDEC SWREG100 H264 REG4 7 INFO**

Address: Operational Base + offset (0x0190)

Bit	Attr	Reset Value	Description
31:28	RO	0x0	Reserved

Bit	Attr	Reset Value	Description
27	RW	0x0	sw_ref7_colmv_use_flag Ref7 colmv use flag.
26	RW	0x0	sw_ref7_botfield_used Ref7 bottom field is used, the same meaning with ref_valid.
25	RW	0x0	sw_ref7_topfield_used Ref7 top field is used, the same meaning with ref_valid.
24	RW	0x0	sw_ref7_field 1'b0: Frame 1'b1: Field
23:20	RO	0x0	Reserved
19	RW	0x0	sw_ref6_colmv_use_flag Ref6 colmv use flag.
18	RW	0x0	sw_ref6_botfield_used Ref6 bottom field is used, the same meaning with ref_valid.
17	RW	0x0	sw_ref6_topfield_used Ref6 top field is used, the same meaning with ref_valid.
16	RW	0x0	sw_ref6_field 1'b0: Frame 1'b1: Field
15:12	RO	0x0	Reserved
11	RW	0x0	sw_ref5_colmv_use_flag Ref5 colmv use flag.
10	RW	0x0	sw_ref5_botfield_used Ref5 bottom field is used, the same meaning with ref_valid.
9	RW	0x0	sw_ref5_topfield_used Ref5 top field is used, the same meaning with ref_valid.
8	RW	0x0	sw_ref5_field 1'b0: Frame 1'b1: Field
7:4	RO	0x0	Reserved
3	RW	0x0	sw_ref4_colmv_use_flag Ref4 colmv use flag.
2	RW	0x0	sw_ref4_botfield_used Ref4 bottom field is used, the same meaning with ref_valid.
1	RW	0x0	sw_ref4_topfield_used Ref4 top field is used, the same meaning with ref_valid.
0	RW	0x0	sw_ref4_field 1'b0: Frame 1'b1: Field

**RKVDEC SWREG100 VP9 SEGID REF POC**

Address: Operational Base + offset (0x0190)

Bit	Attr	Reset Value	Description
31:16	RO	0x0	Reserved



Bit	Attr	Reset Value	Description
15:0	RW	0x0000	sw_vp9_segid_ref_poc VP9: The poc of reference segmentid

**RKVDEC SWREG101 H264 REG8 11 INFO**

Address: Operational Base + offset (0x0194)

Bit	Attr	Reset Value	Description
31:28	RO	0x0	Reserved
27	RW	0x0	sw_ref11_colmv_use_flag Ref11 colmv use flag.
26	RW	0x0	sw_ref11_botfield_used Ref11 bottom field is used, the same meaning with ref_valid.
25	RW	0x0	sw_ref11_topfield_used Ref11 top field is used, the same meaning with ref_valid.
24	RW	0x0	sw_ref11_field 1'b0: Frame 1'b1: Field
23:20	RO	0x0	Reserved
19	RW	0x0	sw_ref10_colmv_use_flag Ref10 colmv use flag.
18	RW	0x0	sw_ref10_botfield_used Ref10 bottom field is used, the same meaning with ref_valid.
17	RW	0x0	sw_ref10_topfield_used Ref10 top field is used, the same meaning with ref_valid.
16	RW	0x0	sw_ref10_field 1'b0: Frame 1'b1: Field
15:12	RO	0x0	Reserved
11	RW	0x0	sw_ref9_colmv_use_flag Ref9 colmv use flag.
10	RW	0x0	sw_ref9_botfield_used Ref9 bottom field is used, the same meaning with ref_valid.
9	RW	0x0	sw_ref9_topfield_used Ref9 top field is used, the same meaning with ref_valid.
8	RW	0x0	sw_ref9_field 1'b0: Frame 1'b1: Field
7:4	RO	0x0	Reserved
3	RW	0x0	sw_ref8_colmv_use_flag Ref8 colmv use flag.
2	RW	0x0	sw_ref8_botfield_used Ref8 bottom field is used, the same meaning with ref_valid.
1	RW	0x0	sw_ref8_topfield_used Ref8 top field is used, the same meaning with ref_valid.

Bit	Attr	Reset Value	Description
0	RW	0x0	sw_ref8_field 1'b0: Frame 1'b1: Field

**RKVDEC SWREG102 H264 REG12 15 INFO**

Address: Operational Base + offset (0x0198)

Bit	Attr	Reset Value	Description
31:28	RO	0x0	Reserved
27	RW	0x0	sw_ref15_colmv_use_flag Ref15 colmv use flag.
26	RW	0x0	sw_ref15_botfield_used Ref15 bottom field is used, the same meaning with ref_valid.
25	RW	0x0	sw_ref15_topfield_used Ref15 top field is used, the same meaning with ref_valid.
24	RW	0x0	sw_ref15_field 1'b0: Frame 1'b1: Field
23:20	RO	0x0	Reserved
19	RW	0x0	sw_ref14_colmv_use_flag Ref14 colmv use flag.
18	RW	0x0	sw_ref14_botfield_used Ref14 bottom field is used, the same meaning with ref_valid.
17	RW	0x0	sw_ref14_topfield_used Ref14 top field is used, the same meaning with ref_valid.
16	RW	0x0	sw_ref14_field 1'b0: Frame 1'b1: Field
15:12	RO	0x0	Reserved
11	RW	0x0	sw_ref13_colmv_use_flag Ref13 colmv use flag.
10	RW	0x0	sw_ref13_botfield_used Ref13 bottom field is used, the same meaning with ref_valid.
9	RW	0x0	sw_ref13_topfield_used Ref13 top field is used, the same meaning with ref_valid.
8	RW	0x0	sw_ref13_field 1'b0: Frame 1'b1: Field
7:4	RO	0x0	Reserved
3	RW	0x0	sw_ref12_colmv_use_flag Ref12 colmv use flag.
2	RW	0x0	sw_ref12_botfield_used Ref12 bottom field is used, the same meaning with ref_valid.
1	RW	0x0	sw_ref12_topfield_used Ref12 top field is used, the same meaning with ref_valid.

Bit	Attr	Reset Value	Description
0	RW	0x0	sw_ref12_field 1'b0: Frame 1'b1: Field

**RKVDEC SWREG103 HEVC MVC0**

Address: Operational Base + offset (0x019c)

Bit	Attr	Reset Value	Description
31:16	RO	0x0	Reserved
15:0	RW	0x0000	sw_ref_pic_layer_same_with_cur Referance picture layer same with current picture.

**RKVDEC SWREG103 AVS2 CTRL EXTRA**

Address: Operational Base + offset (0x019c)

Bit	Attr	Reset Value	Description
31:1	RO	0x0	Reserved
0	RW	0x0	sw_avs2_slice_hor_pos_ctrl 1'b0: Use default 255. 1'b1: Use fixed 256.

**RKVDEC SWREG103 VP9 PROB EN**

Address: Operational Base + offset (0x019c)

Bit	Attr	Reset Value	Description
31	RW	0x0	sw_vp9_inter_coef_rfsh_flag 1'b0: Inter coef unneed refresh in current intra frame. 1'b1: Inter coef should be refresh in current intra frame.
30	RW	0x0	sw_vp9_last_key_frame_flag The flag of last frame is key frame. 1'b0: Not key frame. 1'b1: Key frame.
29	RW	0x0	sw_vp9_allow_high_precision_mv The enable of high precision mv prob refresh update. 1'b0: Disable 1'b1: Enable
28	RW	0x0	sw_vp9_interp_filter_switch_en The enable of interp filter prob refresh update. 1'b0: Disable 1'b1: Enable
27	RW	0x0	sw_vp9_comp_ref_rfsh_en The enable of comp reference prob refresh update. 1'b0: Disable 1'b1: Enable

Bit	Attr	Reset Value	Description
26	RW	0x0	sw_vp9_single_ref_rfsh_en The enable of single reference prob refresh update. 1'b0: Disable 1'b1: Enable
25	RW	0x0	sw_vp9_ref_mode_rfsh_en The enable of reference mode prob refresh update. 1'b0: Disable 1'b1: Enable
24	RW	0x0	sw_vp9_txfmmode_rfsh_en The enable of tx mode prob refresh update. 1'b0: Disable 1'b1: Enable
23	RW	0x0	sw_vp9_intra_only_flag The flag of intra only. 1'b0: Inter frame. 1'b1: Intra only frame (include key frame) .
22	RW	0x0	sw_vp9_prob_save_en The flag of write updated prob to DDR. 1'b0: Not need write updated prob to DDR. 1'b1: Will write updated prob to DDR.
21	RW	0x0	sw_vp9_refresh_en The enable of prob backward refresh. 1'b0: Disable refresh parse. 1'b1: Enable refresh parse.
20	RW	0x0	sw_vp9_prob_update_en The enable of used hardware to parse prob. 1'b0: Software parse prob. 1'b1: Hardware parse prob.
19:0	RO	0x0	Reserved

**RKVDEC\_SWREG104\_HEVC\_MVC1**

Address: Operational Base + offset (0x01a0)

Bit	Attr	Reset Value	Description
31:19	RO	0x0	Reserved
18	RW	0x0	sw_mvc_poc15_valid_flag Mvc poc15 valid flag.
17	RW	0x0	sw_rps_poc_lsb_aligned_flag Rps POC lsb aligned flag.
16	RW	0x0	sw_poc_reset_info_present_flag The flag of poc reset infomation.
15	RW	0x0	sw_max_one_active_ref_layer_flag The flag of max referance referance layer be actived.
14	RW	0x0	sw_default_ref_layers_active_flag The flag of default referance layers which be actived.

Bit	Attr	Reset Value	Description
13:8	RW	0x00	sw_num_reflayer_pics The number of reference layer pictures.
7	RO	0x0	Reserved
6:1	RW	0x00	sw_num_direct_ref_layers The number of direct reference layers.
0	RW	0x0	sw_poc_lsb_not_present_flag Poc lsb not present flag.

**RKVDEC SWREG105 VP9CNT UPD EN AVS2 HEADLEN**

Address: Operational Base + offset (0x01a4)

Bit	Attr	Reset Value	Description
31:5	RO	0x0	Reserved
4	RW	0x0	sw_vp9count_update_en When 1'b1, the hardware will always update count. When 1'b0, the hardware will auto check whether update the count.
3:0	RW	0x0	sw_avs2_head_len It's unit is 128bit. 4'd0: 128bit 4'd1: 2*128bit 4'd2: 3*128bit ..... 4'd15: 16*128bit

**RKVDEC SWREG106 VP9 FRAME WIDTH LAST**

Address: Operational Base + offset (0x01a8)

Bit	Attr	Reset Value	Description
31:16	RO	0x0	Reserved
15:0	RW	0x0000	sw_framewidth_last Last frame frame_size_width.

**RKVDEC SWREG107 VP9 FRAME HEIGHT LAST**

Address: Operational Base + offset (0x01ac)

Bit	Attr	Reset Value	Description
31:16	RO	0x0	Reserved
15:0	RW	0x0000	sw_frameheight_last Last frame frame_size_height.

**RKVDEC SWREG108 VP9 FRAME WIDTH GOLDEN**

Address: Operational Base + offset (0x01b0)

Bit	Attr	Reset Value	Description
31:16	RO	0x0	Reserved
15:0	RW	0x0000	sw_framewidth_golden Golden frame_size_width

**RKVDEC SWREG109 VP9 FRAME HEIGHT GOLDEN**

Address: Operational Base + offset (0x01b4)

Bit	Attr	Reset Value	Description
31:16	RO	0x0	Reserved
15:0	RW	0x0000	sw_frameheight_golden Golden frame_size_height.

**RKVDEC SWREG110 VP9 FRAME WIDTH ALTREF**

Address: Operational Base + offset (0x01b8)

Bit	Attr	Reset Value	Description
31:16	RO	0x0	Reserved
15:0	RW	0x0000	sw_framewidth_alfter Alfter frame_size_width.

**RKVDEC SWREG111 VP9 FRAME HEIGHT ALTREF**

Address: Operational Base + offset (0x01bc)

Bit	Attr	Reset Value	Description
31:16	RO	0x0	Reserved
15:0	RW	0x0000	sw_frameheight_alfter Alfter frame_size_height.

**RKVDEC SWREG112 ERROR REF INFO**

Address: Operational Base + offset (0x01c0)

Bit	Attr	Reset Value	Description
31:4	RO	0x0	Reserved
3	RW	0x0	sw_ref_error_botfield_used For inter, 1'b1: Botfield is no used. 1'b1: Botfield is used.
2	RW	0x0	sw_ref_error_topfield_used For inter, 1'b1: Topfield is no used. 1'b1: Topfield is used.
1	RW	0x0	sw_avs2_ref_error_topfield Refer error is top field flag. 1'b0: Bottom field flag. 1'b1: Top field flag.

Bit	Attr	Reset Value	Description
0	RW	0x0	sw_avs2_ref_error_field 1'b0: Frame 1'b1: Field

**RKVDEC SWREG128 STRM RLC BASE**

Address: Operational Base + offset (0x0200)

Bit	Attr	Reset Value	Description
31:4	RW	0x00000000	sw_strm_rlc_base When swreg2.sw_rlc_mode =1, it is base address for rlc data. When swreg2.sw_rlc_mode =0, it is base address for stream, after a frame is decoded ready or error (stream error , time out , bus error) , it is the last address of the stream. The address should 128bit align.
3:0	RO	0x0	Reserved

**RKVDEC SWREG129 ERROR INFO BASE**

Address: Operational Base + offset (0x0204)

Bit	Attr	Reset Value	Description
31:3	RW	0x00000000	sw_error_info_base The base address of error info
2:0	RO	0x0	Reserved

**RKVDEC SWREG129 RLCWRITE BASE**

Address: Operational Base + offset (0x0204)

Bit	Attr	Reset Value	Description
31:3	RW	0x00000000	sw_rlcwrite_base The base address of rlcwrite(the address should 64bit align). Cabac output write to this rlcwrite base address when sw_rlc_mode_direct_write in swreg2_sysctrl is valid.
2:0	RO	0x0	Reserved

**RKVDEC SWREG130 DECOUT BASE**

Address: Operational Base + offset (0x0208)

Bit	Attr	Reset Value	Description
31:4	RW	0x00000000	sw_decout_base Base address of decoder output picture, the address should be 128bit align. In H264 decode format, the top field and bottom field are the same addr. Fbc mode: Fbc_head_base_addr[27:0]: the head base of fbc wr.
3:0	RO	0x0	Reserved

**RKVDEC SWREG131 COLMV CUR BASE**

## ***RK3588 TRM-Part1***

Address: Operational Base + offset (0x020c)

Bit	Attr	Reset Value	Description
31:4	RW	0x0000000	sw_colmv_cur_base Only valid when sw_colmv_mode is 1'b1. Cur frame colmv base addr, for HEVC,H264 and vp9.
3:0	RO	0x0	Reserved

### **RKVDEC SWREG132 ERROR REF BASE**

Address: Operational Base + offset (0x0210)

Bit	Attr	Reset Value	Description
31:4	RW	0x0000000	sw_error_ref_base Error reference frame base address.
3:0	RO	0x0	Reserved

### **RKVDEC SWREG133 RCB INTRAR BASE**

Address: Operational Base + offset (0x0214)

Bit	Attr	Reset Value	Description
31:6	RW	0x0000000	sw_rcb_intrar_base Rcb intra row base address, unit: 64bytes align.
5:0	RO	0x0	Reserved

### **RKVDEC SWREG134 RCB TRANSDR BASE**

Address: Operational Base + offset (0x0218)

Bit	Attr	Reset Value	Description
31:6	RW	0x0000000	sw_rcb_transdr_base Rcb transd row base address, unit: 64bytes align.
5:0	RO	0x0	Reserved

### **RKVDEC SWREG135 RCB TRANSDC BASE**

Address: Operational Base + offset (0x021c)

Bit	Attr	Reset Value	Description
31:6	RW	0x0000000	sw_rcb_transdc_base Rcb transd col base address, unit: 64bytes align.
5:0	RO	0x0	Reserved

### **RKVDEC SWREG136 RCB STRMDR BASE**

Address: Operational Base + offset (0x0220)

Bit	Attr	Reset Value	Description
31:6	RW	0x0000000	sw_rcb_strmdr_base Rcb stream row base address, unit: 64bytes align.
5:0	RO	0x0	Reserved

### **RKVDEC SWREG137 RCB INTERR BASE**

Address: Operational Base + offset (0x0224)



Bit	Attr	Reset Value	Description
31:6	RW	0x0000000	sw_rcb_interr_base Rcb inter row base address, unit: 64bytes align.
5:0	RO	0x0	Reserved

**RKVDEC SWREG138 RCB INTERC BASE**

Address: Operational Base + offset (0x0228)

Bit	Attr	Reset Value	Description
31:6	RW	0x0000000	sw_rcb_interc_base Rcb inter col base address, unit: 64bytes align.
5:0	RO	0x0	Reserved

**RKVDEC SWREG139 RCB DBLKR BASE**

Address: Operational Base + offset (0x022c)

Bit	Attr	Reset Value	Description
31:6	RW	0x0000000	sw_rcb_dblkr_base Rcb dblock row base address, unit: 64bytes align.
5:0	RO	0x0	Reserved

**RKVDEC SWREG140 RCB SAOR BASE**

Address: Operational Base + offset (0x0230)

Bit	Attr	Reset Value	Description
31:6	RW	0x0000000	sw_rcb_saor_base Rcb sao row base address, unit: 64bytes align.
5:0	RO	0x0	Reserved

**RKVDEC SWREG141 RCB FBCR BASE**

Address: Operational Base + offset (0x0234)

Bit	Attr	Reset Value	Description
31:6	RW	0x0000000	sw_rcb_fbc_base Rcb fbc row base address, unit: 64bytes align.
5:0	RO	0x0	Reserved

**RKVDEC SWREG142 RCB FILTC COL BASE**

Address: Operational Base + offset (0x0238)

Bit	Attr	Reset Value	Description
31:6	RW	0x0000000	sw_rcb_filtc_base Rcb filter col base address, unit: 64bytes align.
5:0	RO	0x0	Reserved

**RKVDEC SWREG160 VP9 DELTA PROB BASE**

Address: Operational Base + offset (0x0280)

Bit	Attr	Reset Value	Description
31:4	RW	0x0000000	sw_vp9_delta_prob_base The base address of prob.
3:0	RO	0x0	Reserved

**RKVDEC SWREG161 PPS BASE**

Address: Operational Base + offset (0x0284)

Bit	Attr	Reset Value	Description
31:4	RW	0x0000000	sw_pps_base The base address of pps (the address should 128bit align). It is for storing sps(sequence parameter set) and pps(picture parameter set).
3:0	RO	0x0	Reserved

**RKVDEC SWREG161 AVS2 HEAD BASE**

Address: Operational Base + offset (0x0284)

Bit	Attr	Reset Value	Description
31:4	RW	0x0000000	sw_avs2_head_base The base address of avs2 head ( the address should 128bit align ). It will include sequence and picture level syntax.
3:0	RO	0x0	Reserved

**RKVDEC SWREG162 VP9 LAST PROB BASE**

Address: Operational Base + offset (0x0288)

Bit	Attr	Reset Value	Description
31:4	RW	0x0000000	sw_vp9_last_porb_base The base address of last prob (the address should 128bit align).
3:0	RO	0x0	Reserved

**RKVDEC SWREG163 RPS BASE**

Address: Operational Base + offset (0x028c)

Bit	Attr	Reset Value	Description
31:4	RW	0x0000000	sw_rps_base Rps(reference picture set) base address (the address should 128bit align).
3:0	RO	0x0	Reserved

**RKVDEC SWREG164 REF0 BASE**

Address: Operational Base + offset (0x0290)

Bit	Attr	Reset Value	Description
31:4	RW	0x0000000	sw_refer0_base Base address for reference picture index0 (the address should be 128bit align) Fbc mode: H264 & hevc & avs2 ref0 head base.
3:0	RO	0x0	Reserved

**RKVDEC SWREG164 VP9 REFERLAST BASE**

Address: Operational Base + offset (0x0290)

Bit	Attr	Reset Value	Description
31:4	RW	0x0000000	sw_vp9_last_base Base address for last (the address should be 128bit align). Fbc mode: Vp9 last ref frame head base.
3:0	RO	0x0	Reserved

**RKVDEC SWREG165 REF1 BASE**

Address: Operational Base + offset (0x0294)

Bit	Attr	Reset Value	Description
31:4	RW	0x0000000	sw_refer1_base Base address for reference picture index1 (the address should be 128bit align) Fbc mode: H264 & hevc & avs2 ref1 head base.
3:0	RO	0x0	Reserved

**RKVDEC SWREG165 VP9 REFERGOLDEN BASE**

Address: Operational Base + offset (0x0294)

Bit	Attr	Reset Value	Description
31:4	RW	0x0000000	sw_vp9golden_base Base address for golden (the address should be 128bit align). Fbc mode: Vp9 golden ref frame head base.
3:0	RO	0x0	Reserved

**RKVDEC SWREG166 REF2 BASE**

Address: Operational Base + offset (0x0298)

Bit	Attr	Reset Value	Description
31:4	RW	0x0000000	sw_refer2_base Base address for reference picture index2 (the address should be 128bit align) Fbc mode: H264 & hevc & avs2 ref2 head base.
3:0	RO	0x0	Reserved

**RKVDEC SWREG166 VP9 REFERALFTER BASE**

Address: Operational Base + offset (0x0298)

Bit	Attr	Reset Value	Description
31:4	RW	0x00000000	sw_vp9alfter_base Base address for alfter (the address should be 128bit align). Fbc mode: Vp9 after ref frame head base.
3:0	RO	0x0	Reserved

**RKVDEC SWREG167 VP9COUNT BASE**

Address: Operational Base + offset (0x029c)

Bit	Attr	Reset Value	Description
31:3	RW	0x00000000	sw_vp9_count_prob_base Software parse prob: Used as vp9 count write base.
2:0	RO	0x0	Reserved

**RKVDEC SWREG167 REF3 BASE**

Address: Operational Base + offset (0x029c)

Bit	Attr	Reset Value	Description
31:4	RW	0x00000000	sw_refer3_base Base address for reference picture index3 (the address should be 128bit align) Fbc mode: H264 & hevc & avs2 ref3 head base.
3:0	RO	0x0	Reserved

**RKVDEC SWREG168 VP9 SEGIDLAST BASE**

Address: Operational Base + offset (0x02a0)

Bit	Attr	Reset Value	Description
31:4	RW	0x00000000	sw_vp9segidlast_base Base address for vp9 last frame segment id (the address should be 128bit align).
3:0	RO	0x0	Reserved

**RKVDEC SWREG168 REF4 BASE**

Address: Operational Base + offset (0x02a0)

Bit	Attr	Reset Value	Description
31:4	RW	0x00000000	sw_refer4_base Base address for reference picture index4 (the address should be 128bit align) Fbc mode: H264 & hevc & avs2 ref4 head base.
3:0	RO	0x0	Reserved

**RKVDEC SWREG169 AVP9 SEGIDCUR BASE**

Address: Operational Base + offset (0x02a4)

Bit	Attr	Reset Value	Description
31:4	RW	0x0000000	sw_vp9segidcur_base Base address for vp9 cur frame segment id (the address should be 128bit align).
3:0	RO	0x0	Reserved

**RKVDEC SWREG169 REF5 BASE**

Address: Operational Base + offset (0x02a4)

Bit	Attr	Reset Value	Description
31:4	RW	0x0000000	sw_refer5_base Base address for reference picture index5 (the address should be 128bit align) Fbc mode: H264 & hevc & avs2 ref5 head base.
3:0	RO	0x0	Reserved

**RKVDEC SWREG170 VP9 REFCOLMV BASE**

Address: Operational Base + offset (0x02a8)

Bit	Attr	Reset Value	Description
31:4	RW	0x0000000	sw_vp9_refcolmv_base Vp9 refcolmv base addr.
3:0	RO	0x0	Reserved

**RKVDEC SWREG170 REF6 BASE**

Address: Operational Base + offset (0x02a8)

Bit	Attr	Reset Value	Description
31:4	RW	0x0000000	sw_refer6_base Base address for reference picture index6 (the address should be 128bit align) Fbc mode: H264 & hevc & avs2 ref6 head base.
3:0	RO	0x0	Reserved

**RKVDEC SWREG171 VP9 INTERCMD BASE**

Address: Operational Base + offset (0x02ac)

Bit	Attr	Reset Value	Description
31:4	RW	0x0000000	sw_vp9_intercmd_base Vp9 inter command base addr, when sw_rlc_mode is 1'b1. When sw_dec_mode is VP9 and sw_rlc_mode is 1'b1, when read this register, after a frame is decoded ready or error (stream error, time out, bus error), it is the end address of the intercmd.
3:0	RO	0x0	Reserved

**RKVDEC SWREG171 REF7 BASE**

Address: Operational Base + offset (0x02ac)

Bit	Attr	Reset Value	Description
31:4	RW	0x0000000	sw_refer7_base Base address for reference picture index7 (the address should be 128bit align) Fbc mode: H264 & hevc & avs2 ref7 head base.
3:0	RO	0x0	Reserved

**RKVDEC SWREG172 VP9 UPDATE PROB WR BASE**

Address: Operational Base + offset (0x02b0)

Bit	Attr	Reset Value	Description
31:4	RW	0x0000000	sw_vp9_update_prob_wr_base Hardware parse prob: Used as vp9 prob write base.
3:0	RO	0x0	Reserved

**RKVDEC SWREG172 H26X REF8 BASE**

Address: Operational Base + offset (0x02b0)

Bit	Attr	Reset Value	Description
31:4	RW	0x0000000	sw_refer8_base Base address for reference picture index8 (the address should be 128bit align) Fbc mode: H264 & hevc & avs2 ref8 head base.
3:0	RO	0x0	Reserved

**RKVDEC SWREG173 H26X REF9 BASE**

Address: Operational Base + offset (0x02b4)

Bit	Attr	Reset Value	Description
31:4	RW	0x0000000	sw_refer9_base Base address for reference picture index9 (the address should be 128bit align) Fbc mode: H264 & hevc & avs2 ref9 head base.
3:0	RO	0x0	Reserved

**RKVDEC SWREG174 H26X REF10 BASE**

Address: Operational Base + offset (0x02b8)

Bit	Attr	Reset Value	Description
31:4	RW	0x0000000	sw_refer10_base Base address for reference picture index10 (the address should be 128bit align) Fbc mode: H264 & hevc & avs2 ref10 head base.
3:0	RO	0x0	Reserved

**RKVDEC SWREG175 H26X REF11 BASE**

Address: Operational Base + offset (0x02bc)

Bit	Attr	Reset Value	Description
31:4	RW	0x0000000	sw_refer11_base Base address for reference picture index11 (the address should be 128bit align) Fbc mode: H264 & hevc & avs2 ref11 head base.
3:0	RO	0x0	Reserved

**RKVDEC SWREG176 H26X REF12 BASE**

Address: Operational Base + offset (0x02c0)

Bit	Attr	Reset Value	Description
31:4	RW	0x0000000	sw_refer12_base Base address for reference picture index12 (the address should be 128bit align) Fbc mode: H264 & hevc & avs2 ref12 head base.
3:0	RO	0x0	Reserved

**RKVDEC SWREG177 H26X REF13 BASE**

Address: Operational Base + offset (0x02c4)

Bit	Attr	Reset Value	Description
31:4	RW	0x0000000	sw_refer13_base Base address for reference picture index13 (the address should be 128bit align) Fbc mode: H264 & hevc & avs2 ref13 head base.
3:0	RO	0x0	Reserved

**RKVDEC SWREG178 H26X REF14 BASE**

Address: Operational Base + offset (0x02c8)

Bit	Attr	Reset Value	Description
31:4	RW	0x0000000	sw_refer14_base Base address for reference picture index14 (the address should be 128bit align) Fbc mode: H264 & hevc & avs2 ref14 head base.
3:0	RO	0x0	Reserved

**RKVDEC SWREG179 H26X REF15 BASE**

Address: Operational Base + offset (0x02cc)

Bit	Attr	Reset Value	Description
31:4	RW	0x0000000	sw_refer15_base Base address for reference picture index15 (the address should be 128bit align) Fbc mode: H264 & hevc & avs2 ref15 head base.
3:0	RO	0x0	Reserved

**RKVDEC SWREG180 SCANLIST ADDR**

## ***RK3588 TRM-Part1***

Address: Operational Base + offset (0x02d0)

<b>Bit</b>	<b>Attr</b>	<b>Reset Value</b>	<b>Description</b>
31:4	RW	0x0000000	sw_scanlist_addr Should be align to 16byte, and will be used for h264 and hevc.
3:0	RO	0x0	Reserved

### **RKVDEC SWREG181 COLMV REF0 BASE**

Address: Operational Base + offset (0x02d4)

<b>Bit</b>	<b>Attr</b>	<b>Reset Value</b>	<b>Description</b>
31:4	RW	0x0000000	sw_colmv_ref0_base Only valid when sw_colmv_mode is 1'b1. Ref0 frame colmv base addr. For H264 and HEVC.
3:0	RO	0x0	Reserved

### **RKVDEC SWREG182 COLMV REF1 BASE**

Address: Operational Base + offset (0x02d8)

<b>Bit</b>	<b>Attr</b>	<b>Reset Value</b>	<b>Description</b>
31:4	RW	0x0000000	sw_colmv_ref1_base Only valid when sw_colmv_mode is 1'b1. Ref1 frame colmv base addr. For H264 and HEVC.
3:0	RO	0x0	Reserved

### **RKVDEC SWREG183 COLMV REF2 BASE**

Address: Operational Base + offset (0x02dc)

<b>Bit</b>	<b>Attr</b>	<b>Reset Value</b>	<b>Description</b>
31:4	RW	0x0000000	sw_colmv_ref2_base Only valid when sw_colmv_mode is 1'b1. Ref2 frame colmv base addr. For H264 and HEVC.
3:0	RO	0x0	Reserved

### **RKVDEC SWREG184 COLMV REF3 BASE**

Address: Operational Base + offset (0x02e0)

<b>Bit</b>	<b>Attr</b>	<b>Reset Value</b>	<b>Description</b>
31:4	RW	0x0000000	sw_colmv_ref3_base Only valid when sw_colmv_mode is 1'b1. Ref3 frame colmv base addr. For H264 and HEVC.
3:0	RO	0x0	Reserved

### **RKVDEC SWREG185 COLMV REF4 BASE**

Address: Operational Base + offset (0x02e4)



Bit	Attr	Reset Value	Description
31:4	RW	0x0000000	sw_colmv_ref4_base Only valid when sw_colmv_mode is 1'b1. Ref4 frame colmv base addr. For H264 and HEVC.
3:0	RO	0x0	Reserved

**RKVDEC SWREG186 COLMV REF5 BASE**

Address: Operational Base + offset (0x02e8)

Bit	Attr	Reset Value	Description
31:4	RW	0x0000000	sw_colmv_ref5_base Only valid when sw_colmv_mode is 1'b1. Ref5 frame colmv base addr. For H264 and HEVC.
3:0	RO	0x0	Reserved

**RKVDEC SWREG187 COLMV REF6 BASE**

Address: Operational Base + offset (0x02ec)

Bit	Attr	Reset Value	Description
31:4	RW	0x0000000	sw_colmv_ref6_base Only valid when sw_colmv_mode is 1'b1. Ref6 frame colmv base addr. For H264 and HEVC.
3:0	RO	0x0	Reserved

**RKVDEC SWREG188 COLMV REF7 BASE**

Address: Operational Base + offset (0x02f0)

Bit	Attr	Reset Value	Description
31:4	RW	0x0000000	sw_colmv_ref7_base Only valid when sw_colmv_mode is 1'b1. Ref7 frame colmv base addr. For H264 and HEVC.
3:0	RO	0x0	Reserved

**RKVDEC SWREG189 COLMV REF8 BASE**

Address: Operational Base + offset (0x02f4)

Bit	Attr	Reset Value	Description
31:4	RW	0x0000000	sw_colmv_ref8_base Only valid when sw_colmv_mode is 1'b1. Ref8 frame colmv base addr. For H264 and HEVC.
3:0	RO	0x0	Reserved

**RKVDEC SWREG190 COLMV REF9 BASE**

## ***RK3588 TRM-Part1***

Address: Operational Base + offset (0x02f8)

<b>Bit</b>	<b>Attr</b>	<b>Reset Value</b>	<b>Description</b>
31:4	RW	0x0000000	sw_colmv_ref9_base Only valid when sw_colmv_mode is 1'b1. Ref9 frame colmv base addr. For H264 and HEVC.
3:0	RO	0x0	Reserved

### **RKVDEC SWREG191 COLMV REF10 BASE**

Address: Operational Base + offset (0x02fc)

<b>Bit</b>	<b>Attr</b>	<b>Reset Value</b>	<b>Description</b>
31:4	RW	0x0000000	sw_colmv_ref10_base Only valid when sw_colmv_mode is 1'b1. Ref10 frame colmv base addr. For H264 and HEVC.
3:0	RO	0x0	Reserved

### **RKVDEC SWREG192 COLMV REF11 BASE**

Address: Operational Base + offset (0x0300)

<b>Bit</b>	<b>Attr</b>	<b>Reset Value</b>	<b>Description</b>
31:4	RW	0x0000000	sw_colmv_ref11_base Only valid when sw_colmv_mode is 1'b1. Ref11 frame colmv base addr. For H264 and HEVC.
3:0	RO	0x0	Reserved

### **RKVDEC SWREG193 COLMV REF12 BASE**

Address: Operational Base + offset (0x0304)

<b>Bit</b>	<b>Attr</b>	<b>Reset Value</b>	<b>Description</b>
31:4	RW	0x0000000	sw_colmv_ref12_base Only valid when sw_colmv_mode is 1'b1. Ref12 frame colmv base addr. For H264 and HEVC.
3:0	RO	0x0	Reserved

### **RKVDEC SWREG194 COLMV REF13 BASE**

Address: Operational Base + offset (0x0308)

<b>Bit</b>	<b>Attr</b>	<b>Reset Value</b>	<b>Description</b>
31:4	RW	0x0000000	sw_colmv_ref13_base Only valid when sw_colmv_mode is 1'b1. Ref13 frame colmv base addr. For H264 and HEVC.
3:0	RO	0x0	Reserved

**RKVDEC SWREG195 COLMV REF14 BASE**

Address: Operational Base + offset (0x030c)

Bit	Attr	Reset Value	Description
31:4	RW	0x0000000	sw_colmv_ref14_base Only valid when sw_colmv_mode is 1'b1. Ref14 frame colmv base addr. For H264 and HEVC.
3:0	RO	0x0	Reserved

**RKVDEC SWREG196 COLMV REF15 BASE**

Address: Operational Base + offset (0x0310)

Bit	Attr	Reset Value	Description
31:4	RW	0x0000000	sw_colmv_ref15_base Only valid when sw_colmv_mode is 1'b1. Ref15 frame colmv base addr. For H264 and HEVC.
3:0	RO	0x0	Reserved

**RKVDEC SWREG197 CABACTBL BASE**

Address: Operational Base + offset (0x0314)

Bit	Attr	Reset Value	Description
31:4	RW	0x0000000	sw_cabactbl_base Hevc & H264: The base address of cabac table.
3:0	RO	0x0	Reserved

**RKVDEC SWREG198 SCALE DOWN LUMA BASE**

Address: Operational Base + offset (0x0318)

Bit	Attr	Reset Value	Description
31:4	RW	0x0000000	sw_scale_down_luma_base The base address of luma base
3:0	RO	0x0	Reserved

**RKVDEC SWREG199 SCALE DOWN CHRO BASE**

Address: Operational Base + offset (0x031c)

Bit	Attr	Reset Value	Description
31:4	RW	0x0000000	sw_scale_down_chro_base The base address of scale down chro base
3:0	RO	0x0	Reserved

**RKVDEC SWREG200 REF POC HIGHBIT P0**

Address: Operational Base + offset (0x0320)

Bit	Attr	Reset Value	Description
31:28	RW	0x0	sw_ref7_poc_highbit Sw_ref7_poc_highbit
27:24	RW	0x0	sw_ref6_poc_highbit Sw_ref6_poc_highbit
23:20	RW	0x0	sw_ref5_poc_highbit Sw_ref5_poc_highbit
19:16	RW	0x0	sw_ref4_poc_highbit Sw_ref4_poc_highbit
15:12	RW	0x0	sw_ref3_poc_highbit Sw_ref3_poc_highbit
11:8	RW	0x0	sw_ref2_poc_highbit Sw_ref2_poc_highbit
7:4	RW	0x0	sw_ref1_poc_highbit Sw_ref1_poc_highbit
3:0	RW	0x0	sw_ref0_poc_highbit Sw_ref0_poc_highbit

**RKVDEC SWREG201 REF POC HIGHBIT P1**

Address: Operational Base + offset (0x0324)

Bit	Attr	Reset Value	Description
31:28	RW	0x0	sw_ref15_poc_highbit Sw_ref15_poc_highbit
27:24	RW	0x0	sw_ref14_poc_highbit Sw_ref14_poc_highbit
23:20	RW	0x0	sw_ref13_poc_highbit Sw_ref13_poc_highbit
19:16	RW	0x0	sw_ref12_poc_highbit Sw_ref12_poc_highbit
15:12	RW	0x0	sw_ref11_poc_highbit Sw_ref11_poc_highbit
11:8	RW	0x0	sw_ref10_poc_highbit Sw_ref10_poc_highbit
7:4	RW	0x0	sw_ref9_poc_highbit Sw_ref9_poc_highbit
3:0	RW	0x0	sw_ref8_poc_highbit Sw_ref8_poc_highbit

**RKVDEC SWREG202 REF POC HIGHBIT P2**

Address: Operational Base + offset (0x0328)

Bit	Attr	Reset Value	Description
31:28	RW	0x0	sw_ref23_poc_highbit Sw_ref23_poc_highbit
27:24	RW	0x0	sw_ref22_poc_highbit Sw_ref22_poc_highbit

Bit	Attr	Reset Value	Description
23:20	RW	0x0	sw_ref21_poc_highbit Sw_ref21_poc_highbit
19:16	RW	0x0	sw_ref20_poc_highbit Sw_ref20_poc_highbit
15:12	RW	0x0	sw_ref19_poc_highbit Sw_ref19_poc_highbit
11:8	RW	0x0	sw_ref18_poc_highbit Sw_ref18_poc_highbit
7:4	RW	0x0	sw_ref17_poc_highbit Sw_ref17_poc_highbit
3:0	RW	0x0	sw_ref16_poc_highbit Sw_ref16_poc_highbit

**RKVDEC SWREG203 REF POC HIGHBIT P3**

Address: Operational Base + offset (0x032c)

Bit	Attr	Reset Value	Description
31:28	RW	0x0	sw_ref31_poc_highbit Sw_ref31_poc_highbit
27:24	RW	0x0	sw_ref30_poc_highbit Sw_ref30_poc_highbit
23:20	RW	0x0	sw_ref29_poc_highbit Sw_ref29_poc_highbit
19:16	RW	0x0	sw_ref28_poc_highbit Sw_ref28_poc_highbit
15:12	RW	0x0	sw_ref27_poc_highbit Sw_ref27_poc_highbit
11:8	RW	0x0	sw_ref26_poc_highbit Sw_ref26_poc_highbit
7:4	RW	0x0	sw_ref25_poc_highbit Sw_ref25_poc_highbit
3:0	RW	0x0	sw_ref24_poc_highbit Sw_ref24_poc_highbit

**RKVDEC SWREG204 CUR POC HIGHBIT**

Address: Operational Base + offset (0x0330)

Bit	Attr	Reset Value	Description
31:4	RO	0x0	Reserved
3:0	RW	0x0	sw_cur_poc_highbit Sw_cur_poc_highbit

**RKVDEC SWREG224 STA INT**

Address: Operational Base + offset (0x0380)

Bit	Attr	Reset Value	Description
31:10	RO	0x0	Reserved
9	RW	0x0	sw_softreset_rdy When it is 1'b1, it says that softreset has been done.
8	RW	0x0	sw_cabu_end_sta Hevc: Cabac decode end status. H264 & vp9 : Streamd decode status.
7	RW	0x0	Sw_colmv_ref_error_sta Hevc & vp9: When it is 1'b1, it means that inter module read the invalid dpb frame. It will self reset the hardware. H264: When it is 1'b1, it means that inter module read the invalid dpb frame. When sw_h264_error_mode is 1'b0, it will self reset the hardware, otherwise it will not.
6	RW	0x0	sw_buf_empty_sta Buffer empty status, only when sw_buf_empty_en is 1'b1 , this bit is valid, now is for no valid.
5	RW	0x0	sw_dec_timeout_sta When high the decoder has been idling for too long. It will self reset the hardware only when sw_dec_timeout_e is 1'b1, this bit is valid.
4	RW	0x0	sw_dec_error_sta Hevc & vp9: When high, an error is found in input data stream decoding. It will self reset the hardware. H264: When high, an error is found in input data stream decoding. When sw_h264_error_mode is 1'b0, it will self reset the hardware, otherwise it will not.
3	RW	0x0	sw_dec_bus_sta When this bit is high, there is error on the axi bus, it will self reset hardware.
2	RW	0x0	sw_dec_rdy_sta When this bit is high, decoder has decoded a picture( the loop filter module send out a frame rdy).
1	RW	0x0	sw_dec_irq_raw The raw status of sw_dec_irq,SW should reset this bit after interrupt is handled.
0	RW	0x0	sw_dec_irq When high, decoder requests an interrupt. Sw_dec_irq = sw_dec_irq_raw && (sw_dec_irq_dis == 1'b0).

**RKVDEC SWREG225 STA ERR INFO**

Address: Operational Base + offset (0x0384)

Bit	Attr	Reset Value	Description
31:2	RO	0x0	Reserved

Bit	Attr	Reset Value	Description
1	RW	0x0	sw_strmd_detect_error_sta Streamd logic error detected, it will stop decode.
0	RW	0x0	sw_dec_frame_error_sta 1'b1: All frame ctu error.

**RKVDEC SWREG226 STA CABAC ERROR STATUS**

Address: Operational Base + offset (0x0388)

Bit	Attr	Reset Value	Description
31:28	RO	0x0	Reserved
27:0	RW	0x0000000	Sw_cabac_error_status In HEVC & H264, it is called cabac error status.

**RKVDEC SWREG227 STA COLMV ERROR REF PICIDX**

Address: Operational Base + offset (0x038c)

Bit	Attr	Reset Value	Description
31:4	RO	0x0	Reserved
3:0	RW	0x0	sw_colmv_ref_picidx When sw_colmv_ref_error_sta is 1'b1, these bits are used for tell which dpb frame is invalid but is read by inter module. It is for H264 and HEVC.

**RKVDEC SWREG228 STA CABAC ERROR CTU OFFSET**

Address: Operational Base + offset (0x0390)

Bit	Attr	Reset Value	Description
31:28	RO	0x0	Reserved
27:16	RW	0x000	sw_cabac_error_ctu_offset_y For all HEVC and H264 and VP9. For vp9, it is the value of stsw_vp9_error_ctu0_y,stsw_vp9_error_ctu0_x.
15:12	RO	0x0	Reserved
11:0	RW	0x000	sw_cabac_error_ctu_offset_x For all HEVC and H264 and VP9. For vp9, it is the value of stsw_vp9_error_ctu0_y,stsw_vp9_error_ctu0_x.

**RKVDEC SWREG229 STA SAOWR CTU OFFSET**

Address: Operational Base + offset (0x0394)

Bit	Attr	Reset Value	Description
31:16	RW	0x0000	sw_saowr_yoffset Saowr y offset , its unit is 4 line pixel. 16'd0: Sao begin to write 0~3 pic line. 16'd1: Sao begin to write 4-7 pic line. ..... Only valid when ip has any error.
15:0	RW	0x0000	sw_saowr_xoffet Saowr x address offset, its unit is 128bit. 16'd0: Sao begin to write cur line first 128bit. 16'd1: Sao begin to write cur line second 128bit. ..... Only valid when ip has any error.

**RKVDEC SWREG230 STA SLICE DEC NUM**

Address: Operational Base + offset (0x0398)

Bit	Attr	Reset Value	Description
31:25	RO	0x0	Reserved
24:0	RO	0x0000000	sw_slicedec_num H264 decoded num, the max slice num for H264 is 4096.

**RKVDEC SWREG231 STA FRAME ERROR CTU NUM**

Address: Operational Base + offset (0x039c)

Bit	Attr	Reset Value	Description
31:24	RO	0x0	Reserved
23:0	RW	0x0000000	sw_frame_ctu_error_num H264 and hevc error ctu number

**RKVDEC SWREG232 STA ERROR PACKET NUM**

Address: Operational Base + offset (0x03a0)

Bit	Attr	Reset Value	Description
31:24	RO	0x0	Reserved
23:0	RW	0x0000000	Sw_error_packet_num Error packet number.

**RKVDEC SWREG233 STA ERR CTU NUM IN ROI**

Address: Operational Base + offset (0x03a4)

Bit	Attr	Reset Value	Description
31:24	RO	0x0	Reserved
23:0	RO	0x0000000	sw_error_ctu_num_in_roi The error ctu num in roi.

**RKVDEC SWREG256 DEBUG PERF LATENCY CTRL0**

Address: Operational Base + offset (0x0400)



**RK3588 TRM-Part1**

Bit	Attr	Reset Value	Description
31:28	RO	0x0	Reserved
27:16	RW	0x000	sw_rd_latency_thr Rd channel latency threshold.
15:12	RO	0x0	Reserved
11:4	RW	0x00	sw_rd_latency_id Rd channel id for performance test.
3	RW	0x0	sw_axi_cnt_type 1'b0: Axi transfer num count. 1'b1: Ddr align transfer num count.
2	RO	0x0	Reserved
1	RW	0x0	Sw_axi_perf_clr 1'b0: Software clear disable. 1'b1: Software clear enable. Clear pulse.
0	RW	0x0	sw_axi_perf_work_e 1'b0: Disable 1'b1: Enable

**RKVDEC SWREG257 DEBUG PERF LATENCY CTRL1**

Address: Operational Base + offset (0x0404)

Bit	Attr	Reset Value	Description
31:25	RO	0x0	Reserved
24	RW	0x0	sw_rd_band_width_mode 1'b0: Cal all id. 1'b1: Cal sw_ar_count_id.
23:16	RW	0x00	sw_aw_count_id Sw_aw_count_id
15:12	RO	0x0	Reserved
11:4	RW	0x00	sw_ar_count_id Sw_ar_count_id
3	RW	0x0	sw_aw_cnt_id_type 1'b0: Count all wr-channels. 1'b1: Count sw_wr_cnt_id wr-channel only.
2	RW	0x0	sw_ar_cnt_id_type 1'b0: Count all rd-channels. 1'b1: Count sw_ar_cnt_id rd-channel only.
1:0	RW	0x0	sw_addr_align_type 2'd0: 16 byte align. 2'd1: 32byte align. 2'd2: 64byte align. 2'd3: 128byte align.

**RKVDEC SWREG258 DEBUG PERF RD MAX LATENCY NUM**

Address: Operational Base + offset (0x0408)

Bit	Attr	Reset Value	Description
31:16	RO	0x0	Reserved
15:0	RO	0x0000	sw_rd_max_latency_num Read max latency number.

**RKVDEC SWREG259 PERF RD LATENCY SAMP NUM**

Address: Operational Base + offset (0x040c)

Bit	Attr	Reset Value	Description
31:0	RO	0x00000000	sw_perf_rd_latency_samp_num The number of bigger than configed threshold value.

**RKVDEC SWREG260 DEBUG PERF RD LATENCY ACC SUM**

Address: Operational Base + offset (0x0410)

Bit	Attr	Reset Value	Description
31:0	RO	0x00000000	sw_rd_latency_acc_sum Total sample number.

**RKVDEC SWREG261 DEBUG PERF RD AXI TOTAL BYTE**

Address: Operational Base + offset (0x0414)

Bit	Attr	Reset Value	Description
31:0	RO	0x00000000	sw_perf_rd_axi_total_byte The bandwidth of total read bytes.

**RKVDEC SWREG262 DEBUG PERF WR AXI TOTAL BYTE**

Address: Operational Base + offset (0x0418)

Bit	Attr	Reset Value	Description
31:0	RO	0x00000000	sw_perf_wr_axi_total_byte The bandwidth of total write bytes.

**RKVDEC SWREG263 DEBUG PERF WORKING CNT**

Address: Operational Base + offset (0x041c)

Bit	Attr	Reset Value	Description
31:0	RO	0x00000000	sw_perf_working_cnt The total running cycle of current frame.

**RKVDEC SWREG265 DEBUG PERF SEL**

Address: Operational Base + offset (0x0424)

Bit	Attr	Reset Value	Description
31:22	RO	0x0	Reserved

21:16	RW	0x00	<p>sw_perf_cnt2_sel</p> <p>6'd0: Don't work.</p> <p>6'd1: Cycles counter for cabac in buffer empty.</p> <p>6'd2: Cycles counter for cabac in buffer full;(may be always will be 0).</p> <p>6'd3: Cycles counter for cabac out buffer empty.</p> <p>6'd4: Cycles counter for cabac out buffer full.</p> <p>6'd5: Cycles counter for transd input data ready.</p> <p>6'd6: Cycles counter for transd write data to recon allow.</p> <p>6'd7: Cycles counter for dec2transd cmd empty.</p> <p>6'd8: Cycles counter for dec2transd cmd full.</p> <p>6'd9: Cycles counter for transd2dblk bs fifo empty.</p> <p>6'd10: Cycles counter for transd2dblk bs fifo full.</p> <p>6'd11: Cycles counter for dec2intra cmd fifo empty.</p> <p>6'd12: Cycles counter for dec2intra cmd fifo full.</p> <p>6'd13: Cycles counter for mc2recon cmd fifo empty.</p> <p>6'd14: Cycles counter for mc2recon cmd fifo full.</p> <p>6'd15: Cycles counter for mc2recon data fifo empty.</p> <p>6'd16: Cycles counter for mc2recon data fifo full.</p> <p>6'd17: Cycles counter for recon2filter data write allow.</p> <p>6'd18: Cycles counter for inter2busifd cmd fifo empty.</p> <p>6'd19: Cycles counter for inter2busifd cmd fifo full.</p> <p>6'd20: Cycles counter for busifd2mc data fifo empty.</p> <p>6'd21: Cycles counter for busifd2mc data fifo full.</p> <p>6'd22: Cycles counter for bus un-working status(idle status).</p> <p>6'd23: Cycles counter for dec2inter cmd fifo empty.</p> <p>6'd24: Cycles counter for dec2inter cmd fifo full.</p> <p>6'd25: Cycles counter for inter2mc cmd fifo empty.</p> <p>6'd26: Cycles counter for inter2mc cmd fifo full.</p> <p>6'd27: Cycles counter for inter2dblk bs fifo empty.</p> <p>6'd28: Cycles counter for inter2dblk bs fifo full.</p> <p>6'd29: Cycles counter for colmv_rbuf_empty.</p> <p>6'd30: Cycles counter for colmv_rbuf_full.</p> <p>6'd31: Cycles counter for colmv_wbuf_empty.</p> <p>6'd32: Cycles counter for colmv_wbuf_da_full.</p> <p>6'd33: Cycles counter for dblk work status.</p> <p>6'd34: Cycles counter for dblk work status.</p> <p>6'd35: Cycles counter for dec2loopfilter cmd fifo empty.</p> <p>6'd36: Cycles counter for dec2loopfilter cmd fifo full.</p> <p>6'd37: Cycles counter for sao input data valid.</p> <p>6'd38: Cycles counter for busifd hold back sao write data.</p> <p>6'd39: Cycles counter for bus process writing output buffer data.</p> <p>6'd40: Counter for dec_ctrl read cmd num.</p> <p>6'd41: Error ctu num when stream error happen.</p> <p>6'd42: Inter reflat idx which be used flag.</p> <p>6'd43: Pu num, 4*4 unit.</p>
-------	----	------	---

Bit	Attr	Reset Value	Description
			6'd44: mv_y_min[15:0], mv_x_min[15:0]. 6'd45: mv_y_max[15:0], mv_x_max[15:0]. 6'd46: The sum value of mv_x lowbits, sum_mv_x[31:0]. 6'd47: The sum value of mv_y lotbits, sum_mv_y[31:0]. 6'd48: The sum value of  mv_x  lowbits, sum_abs_mv_x[31:0]. 6'd49: The sum value of  mv_y  lowbits, sum_abs_mv_y[31:0]. 6'd50: The sum value of mv high bits, sum_abs_mv_x[40:32], sum_abs_mv_y[40:32], sum_mv_x[40:32], sum_mv_y[40:32]. 6'd51: The cu skip num, unit is 8*8. 6'd52: The tu skip num, unit is 4*4. 6'd53: The max qp of tu, 8'h0, cr_qp_max[7:0], cb_qp_max[7:0], luma_qp_max[7:0]. 6'd54: The min qp of tu, 8'h0, cr_qp_min[7:0], cb_qp_min[7:0], luma_qp_min[7:0]. 6'd55: The sum of luma qp, unit is 4*4. 6'd56: The sum of cb qp, unit is 4*4. 6'd57: The sum of cr qp, unit is 4*4. 6'd58: The count of mv_x. 6'd59: The count of mv_y.
15:14	RO	0x0	Reserved

13:8	RW	0x00	<p>sw_perf_cnt1_sel</p> <p>6'd0: Don't work.</p> <p>6'd1: Cycles counter for cabac in buffer empty.</p> <p>6'd2: Cycles counter for cabac in buffer full;(may be alwasys will be 0).</p> <p>6'd3: Cycles counter for cabac out buffer empty.</p> <p>6'd4: Cycles counter for cabac out buffer full.</p> <p>6'd5: Cycles counter for transd input data ready.</p> <p>6'd6: Cycles counter for transd write data to recon allow.</p> <p>6'd7: Cycles counter for dec2transd cmd empty.</p> <p>6'd8: Cycles counter for dec2transd cmd full.</p> <p>6'd9: Cycles counter for transd2dblk bs fifo empty.</p> <p>6'd10: Cycles counter for transd2dblk bs fifo full.</p> <p>6'd11: Cycles counter for dec2intra cmd fifo empty.</p> <p>6'd12: Cycles counter for dec2intra cmd fifo full.</p> <p>6'd13: Cycles counter for mc2recon cmd fifo empty.</p> <p>6'd14: Cycles counter for mc2recon cmd fifo full.</p> <p>6'd15: Cycles counter for mc2recon data fifo empty.</p> <p>6'd16: Cycles counter for mc2recon data fifo full.</p> <p>6'd17: Cycles counter for recon2filter data write allow.</p> <p>6'd18: Cycles counter for inter2busifd cmd fifo empty.</p> <p>6'd19: Cycles counter for inter2busifd cmd fifo full.</p> <p>6'd20: Cycles counter for busifd2mc data fifo empty.</p> <p>6'd21: Cycles counter for busifd2mc data fifo full.</p> <p>6'd22: Cycles counter for bus un-working status(idle status).</p> <p>6'd23: Cycles counter for dec2inter cmd fifo empty.</p> <p>6'd24: Cycles counter for dec2inter cmd fifo full.</p> <p>6'd25: Cycles counter for inter2mc cmd fifo empty.</p> <p>6'd26: Cycles counter for inter2mc cmd fifo full.</p> <p>6'd27: Cycles counter for inter2dblk bs fifo empty.</p> <p>6'd28: Cycles counter for inter2dblk bs fifo full.</p> <p>6'd29: Cycles counter for colmv_rbuf_empty.</p> <p>6'd30: Cycles counter for colmv_rbuf_full.</p> <p>6'd31: Cycles counter for colmv_wbuf_empty.</p> <p>6'd32: Cycles counter for colmv_wbuf_da_full.</p> <p>6'd33: Cycles counter for dblk work status.</p> <p>6'd34: Cycles counter for dblk work status.</p> <p>6'd35: Cycles counter for dec2loopfilter cmd fifo empty.</p> <p>6'd36: Cycles counter for dec2loopfilter cmd fifo full.</p> <p>6'd37: Cycles counter for sao input data valid.</p> <p>6'd38: Cycles counter for busifd hold back sao write data.</p> <p>6'd39: Cycles counter for bus process writing output buffer data.</p> <p>6'd40: Counter for dec_ctrl read cmd num.</p> <p>6'd41: Error ctu num when stream error happen.</p> <p>6'd42: Inter reflat idx which be used flag.</p> <p>6'd43: Pu num, 4*4 unit.</p>
------	----	------	--

Bit	Attr	Reset Value	Description
			6'd44: mv_y_min[15:0], mv_x_min[15:0]. 6'd45: mv_y_max[15:0], mv_x_max[15:0]. 6'd46: The sum value of mv_x lowbits, sum_mv_x[31:0]. 6'd47: The sum value of mv_y lotbits, sum_mv_y[31:0]. 6'd48: The sum value of  mv_x  lowbits, sum_abs_mv_x[31:0]. 6'd49: The sum value of  mv_y  lowbits, sum_abs_mv_y[31:0]. 6'd50: The sum value of mv high bits, sum_abs_mv_x[40:32], sum_abs_mv_y[40:32], sum_mv_y[40:32], sum_mv_x[40:32]. 6'd51: The cu skip num, unit is 8*8. 6'd52: The tu skip num, unit is 4*4. 6'd53: The max qp of tu, 8'h0, cr_qp_max[7:0], cb_qp_max[7:0], luma_qp_max[7:0]. 6'd54: The min qp of tu, 8'h0, cr_qp_min[7:0], cb_qp_min[7:0], luma_qp_min[7:0]. 6'd55: The sum of luma qp, unit is 4*4. 6'd56: The sum of cb qp, unit is 4*4. 6'd57: The sum of cr qp, unit is 4*4. 6'd58: The count of mv_x. 6'd59: The count of mv_y.
7:6	RO	0x0	Reserved

5:0	RW	0x00	<p>sw_perf_cnt0_sel</p> <p>6'd0: Don't work.</p> <p>6'd1: Cycles counter for cabac in buffer empty.</p> <p>6'd2: Cycles counter for cabac in buffer full;(may be alwasys will be 0).</p> <p>6'd3: Cycles counter for cabac out buffer empty.</p> <p>6'd4: Cycles counter for cabac out buffer full.</p> <p>6'd5: Cycles counter for transd input data ready.</p> <p>6'd6: Cycles counter for transd write data to recon allow.</p> <p>6'd7: Cycles counter for dec2transd cmd empty.</p> <p>6'd8: Cycles counter for dec2transd cmd full.</p> <p>6'd9: Cycles counter for transd2dblk bs fifo empty.</p> <p>6'd10: Cycles counter for transd2dblk bs fifo full.</p> <p>6'd11: Cycles counter for dec2intra cmd fifo empty.</p> <p>6'd12: Cycles counter for dec2intra cmd fifo full.</p> <p>6'd13: Cycles counter for mc2recon cmd fifo empty.</p> <p>6'd14: Cycles counter for mc2recon cmd fifo full.</p> <p>6'd15: Cycles counter for mc2recon data fifo empty.</p> <p>6'd16: Cycles counter for mc2recon data fifo full.</p> <p>6'd17: Cycles counter for recon2filter data write allow.</p> <p>6'd18: Cycles counter for inter2busifd cmd fifo empty.</p> <p>6'd19: Cycles counter for inter2busifd cmd fifo full.</p> <p>6'd20: Cycles counter for busifd2mc data fifo empty.</p> <p>6'd21: Cycles counter for busifd2mc data fifo full.</p> <p>6'd22: Cycles counter for bus un-working status(idle status).</p> <p>6'd23: Cycles counter for dec2inter cmd fifo empty.</p> <p>6'd24: Cycles counter for dec2inter cmd fifo full.</p> <p>6'd25: Cycles counter for inter2mc cmd fifo empty.</p> <p>6'd26: Cycles counter for inter2mc cmd fifo full.</p> <p>6'd27: Cycles counter for inter2dblk bs fifo empty.</p> <p>6'd28: Cycles counter for inter2dblk bs fifo full.</p> <p>6'd29: Cycles counter for colmv_rbuf_empty.</p> <p>6'd30: Cycles counter for colmv_rbuf_full.</p> <p>6'd31: Cycles counter for colmv_wbuf_empty.</p> <p>6'd32: Cycles counter for colmv_wbuf_da_full.</p> <p>6'd33: Cycles counter for dblk work status.</p> <p>6'd34: Cycles counter for dblk work status.</p> <p>6'd35: Cycles counter for dec2loopfilter cmd fifo empty.</p> <p>6'd36: Cycles counter for dec2loopfilter cmd fifo full.</p> <p>6'd37: Cycles counter for sao input data valid.</p> <p>6'd38: Cycles counter for busifd hold back sao write data.</p> <p>6'd39: Cycles counter for bus process writing output buffer data.</p> <p>6'd40: Counter for dec_ctrl read cmd num.</p> <p>6'd41: Error ctu num when stream error happen.</p> <p>6'd42: Inter reflat idx which be used flag.</p> <p>6'd43: Pu num, 4*4 unit.</p>
-----	----	------	--

Bit	Attr	Reset Value	Description
			6'd44: mv_y_min[15:0], mv_x_min[15:0]. 6'd45: mv_y_max[15:0], mv_x_max[15:0]. 6'd46: The sum value of mv_x lowbits, sum_mv_x[31:0]. 6'd47: The sum value of mv_y lotbits, sum_mv_y[31:0]. 6'd48: The sum value of  mv_x  lowbits, sum_abs_mv_x[31:0]. 6'd49: The sum value of  mv_y  lowbits, sum_abs_mv_y[31:0]. 6'd50: The sum value of mv high bits, sum_abs_mv_x[40:32], sum_abs_mv_y[40:32], sum_mv_y[40:32], sum_mv_x[40:32]. 6'd51: The cu skip num, unit is 8*8. 6'd52: The tu skip num, unit is 4*4. 6'd53: The max qp of tu, 8'h0, cr_qp_max[7:0], cb_qp_max[7:0], luma_qp_max[7:0]. 6'd54: The min qp of tu, 8'h0, cr_qp_min[7:0], cb_qp_min[7:0], luma_qp_min[7:0]. 6'd55: The sum of luma qp, unit is 4*4. 6'd56: The sum of cb qp, unit is 4*4. 6'd57: The sum of cr qp, unit is 4*4. 6'd58: The count of mv_x. 6'd59: The count of mv_y.

**RKVDEC SWREG266 DEBUG PERF CNT0**

Address: Operational Base + offset (0x0428)

Bit	Attr	Reset Value	Description
31:0	RO	0x00000000	sw_perf_cnt0 Performance count value0

**RKVDEC SWREG267 DEBUG PERF CNT1**

Address: Operational Base + offset (0x042c)

Bit	Attr	Reset Value	Description
31:0	RO	0x00000000	sw_perf_cnt1 Performance count value1.

**RKVDEC SWREG268 DEBUG PERF CNT2**

Address: Operational Base + offset (0x0430)

Bit	Attr	Reset Value	Description
31:0	RO	0x00000000	sw_perf_cnt2 Performance count value2.

**RKVDEC SWREG269 VP9 ERROR INFO**

Address: Operational Base + offset (0x0434)



Bit	Attr	Reset Value	Description
31	RW	0x0	sw_vp9_error_ctu1_en If the error ctu offset be valid.
30:26	RO	0x0	Reserved
25:16	RW	0x000	Sw_vp9_error_ctu1_y The error ctu offset y
15:10	RO	0x0	Reserved
9:0	RW	0x000	Sw_vp9_error_ctu1_x The error ctu offset x

**RKVDEC SWREG270 DEBUG QOS CTRL**

Address: Operational Base + offset (0x0438)

Bit	Attr	Reset Value	Description
31	RO	0x0	Reserved
30:28	RW	0x0	sw_axi_rd_qos axi_rd_qos
27	RO	0x0	Reserved
26:24	RW	0x0	sw_axi_rd_hurry_level 2'b00: Hurry off. 2'b01~2'b11: Hurry level.
23	RO	0x0	Reserved
22:20	RW	0x0	sw_axi_wr_qos axi wr qos
19	RO	0x0	Reserved
18:16	RW	0x0	sw_axi_wr_hurry_level 2'b00: Hurry off. 2'b01~2'b11: Hurry level.
15:8	RO	0x0	Reserved
7:0	RW	0x00	sw_bus2mc_buf_qos_level Range is: 0~255. The value is means that sw_bus2mc_buffer_qos_level <= left space, it will give hurry.

**RKVDEC SWREG271 DEBUG WAIT CYCLE QOS**

Address: Operational Base + offset (0x043c)

Bit	Attr	Reset Value	Description
31:0	RW	0x00000000	sw_wr_hurry_wait_cycle Hw find sw_wr_wait_cycle_qos cycle can't wr to ddr,it will give hurry.

**RKVDEC SWREG272 DEBUG INT**

Address: Operational Base + offset (0x0440)

Bit	Attr	Reset Value	Description
31:23	RO	0x0	Reserved
22:16	RO	0x00	sw_streamfifo_space2full It is for debug use, to tell the stream fifo space to full. For HEVC , H264 and VP9.
15:12	RO	0x0	Reserved
11:6	RO	0x00	sw_wr_tansfer_cnt Sw_wr_tansfer_cnt
5	RO	0x0	sw_stream_rdburst_cnteq0_towr Sw_wr_tansfer_cnt
4	RO	0x0	sw_cabu_rlcend_valid_real Sw_colmvwr_frame_rdy_real
3	RO	0x0	sw_colmvwr_frame_rdy_real Sw_colmvwr_frame_rdy_real
2	RO	0x0	sw_saobu_frame_rdy_valid Sw_saobu_frame_rdy_valid
1	RO	0x0	sw_saowr_frame_rdy Sw_saowr_frame_rdy
0	RO	0x0	sw_bu_rw_clean 1'b0: Bus busy. 1'b1: Bus idle.

**RKVDEC SWREG273 STA B FRAME FLAG**

Address: Operational Base + offset (0x0444)

Bit	Attr	Reset Value	Description
31	RO	0x0	Sw_pps_no_ref_bframe_dec_r 1'b1: Find this frame is not referace B frame.
30:25	RO	0x0	Reserved
24:0	RO	0x0000000	Sw_bus_status_flag sw_bus_status_flag

**RKVDEC SWREG274 PIX RANGE Y**

Address: Operational Base + offset (0x0448)

Bit	Attr	Reset Value	Description
31:26	RO	0x0	Reserved
25:16	RO	0x000	Sw_y_max_value The max value of luma
15:10	RO	0x0	Reserved
9:0	RW	0x000	Sw_y_min_value The min value of luma

**RKVDEC SWREG275 PIX RANGE U**

Address: Operational Base + offset (0x044c)

Bit	Attr	Reset Value	Description
31:26	RO	0x0	Reserved
25:16	RO	0x000	sw_u_max_value The max value of chroma u
15:10	RO	0x0	Reserved
9:0	RO	0x000	sw_u_min_value The min value of chroma u

**RKVDEC SWREG276 PIX RANGE V**

Address: Operational Base + offset (0x0450)

Bit	Attr	Reset Value	Description
31:26	RO	0x0	Reserved
25:16	RW	0x000	sw_v_max_value The max value of chroma v
15:10	RO	0x0	Reserved
9:0	RO	0x000	sw_v_min_value The min value of chroma v

**RKVDEC SWREG277 ERROR SPREAD NUM**

Address: Operational Base + offset (0x0454)

Bit	Attr	Reset Value	Description
31:24	RO	0x0	Reserved
23:0	RW	0x000000	sw_err_spread_cnt_sum current frame error counters at ctu unit active when sw_error_spread_e is 1

**5.5.11 VDP381 CCU Registers Summary**

Name	Offset	Size	Reset Value	Description
RKVDEC CCU SWREG0 C CU_CTRL	0x0000	W	0x00000000	Ccu ctrl cfg
RKVDEC CCU SWREG1 C CU_CFG_START_ADDR	0x0004	W	0x00000000	The address of register data
RKVDEC CCU SWREG2 C CU_LINK_MODE	0x0008	W	0x00000000	The LLP table add ctrl
RKVDEC CCU SWREG3 C CU_CONFIG_DONE	0x000c	W	0x00000000	Config finish ctrl register
RKVDEC CCU SWREG4 C CU_DECODED_NUM	0x0010	W	0x00000000	The frame number which have been decoded
RKVDEC CCU SWREG5 C CU_DEC_TOTAL_NUM	0x0014	W	0x00000000	The total needed decoder number
RKVDEC CCU SWREG6 C CU_WORK_EN	0x0018	W	0x00000000	LLP enable flag

Name	Offset	Size	Reset Value	Description
<u>RKVDEC CCU SWREG7 CCU CURRENT PRC LLP A DDR BASE</u>	0x001c	W	0x00000000	The address of register data
<u>RKVDEC CCU SWREG8 CCU VERISION</u>	0x0020	W	0x00000000	The num of dec core
<u>RKVDEC CCU SWREG9 CCU SEND NUM</u>	0x0024	W	0x00000000	Read only
<u>RKVDEC CCU SWREG10 CCU TIMECNT</u>	0x0028	W	0x00000000	Read only
<u>RKVDEC CCU SWREG16 CCU WORK MODE</u>	0x0040	W	0x00000000	Ccu work mode
<u>RKVDEC CCU SWREG17 CCU CORE WORK MODE</u>	0x0044	W	0x00000000	Work mode cfg
<u>RKVDEC CCU SWREG18 CCU CORE WORK STA</u>	0x0048	W	0x00000000	Must set work sta as 1 while cpu mode
<u>RKVDEC CCU SWREG19 CCU CORE FORCE IDLE E</u>	0x004c	W	0x00000000	Force idle cfg
<u>RKVDEC CCU SWREG20 CCU CORE REQ TIMEOU T E</u>	0x0050	W	0x00000000	Timeout enable cfg
<u>RKVDEC CCU SWREG21 CCU CORE ERR STA</u>	0x0054	W	0x00000000	Error status

Notes: **Size:** **B**- Byte (8 bits) access, **HW**- Half WORD (16 bits) access, **W**-WORD (32 bits) access

### 5.5.12 VDP381 CCU Detail Register Description

#### **RKVDEC CCU SWREG0 CCU CTRL**

Address: Operational Base + offset (0x0000)

Bit	Attr	Reset Value	Description
31:1	RO	0x0	reserved
0	RW	0x0	sw_ccu_autogating_e 1'b0: Ccu clock will not be auto gating(default) 1'b1: Ccu clock will autogating when clock not be required

#### **RKVDEC CCU SWREG1 CCU CFG START ADDR**

Address: Operational Base + offset (0x0004)

Bit	Attr	Reset Value	Description
31:4	RW	0x00000000	sw_ccu_llp_cfg_addr It should be align to 64 byte
3:0	RO	0x0	Reserved

#### **RKVDEC CCU SWREG2 CCU LINK MODE**

Address: Operational Base + offset (0x0008)

Bit	Attr	Reset Value	Description
31	RW	0x0	sw_link_mode 1'b0: Normal mode,the first to start link mode 1'b1: Add extra ready frame to decoder
30	RO	0x0	reserved
29:0	RW	0x00000000	sw_pre_frame_num 1'b1: Config 1 frame

**RKVDEC CCU SWREG3 CCU CONFIG DONE**

Address: Operational Base + offset (0x000c)

Bit	Attr	Reset Value	Description
31:1	RO	0x0	Reserved
0	W1 C	0x0	sw_config_done After config okay,config this bit to 1

**RKVDEC CCU SWREG4 CCU DECODED NUM**

Address: Operational Base + offset (0x0010)

Bit	Attr	Reset Value	Description
31:30	RO	0x0	Reserved
29:0	RO	0x00000000	sw_decoder_num The frame number which have been decoded

**RKVDEC CCU SWREG5 CCU DEC TOTAL NUM**

Address: Operational Base + offset (0x0014)

Bit	Attr	Reset Value	Description
31:30	RO	0x0	Reserved
29:0	RO	0x00000000	sw_dec_total_num The total needed decoder number

**RKVDEC CCU SWREG6 CCU WORK EN**

Address: Operational Base + offset (0x0018)

Bit	Attr	Reset Value	Description
31:1	RO	0x0	Reserved
0	RW	0x0	sw_ccu_work_en The enable flag of ccu

**RKVDEC CCU SWREG7 CCU CURRENT PRC LLP ADDR BASE**

Address: Operational Base + offset (0x001c)

Bit	Attr	Reset Value	Description
31:4	RW	0x00000000	sw_ccu_current_prc_llp_addr_base Read only
3:0	RO	0x0	Reserved

**RKVDEC CCU SWREG8 CCU VERISION**

**RK3588 TRM-Part1**

Address: Operational Base + offset (0x0020)

Bit	Attr	Reset Value	Description
31:16	RW	0x0000	version Reserve
15:8	RO	0x0	Reserved
7:0	RO	0x00	sw_ccu_core_num read only How many dec cores can be used. That value n is n dec cores can be used.

**RKVDEC CCU SWREG9 CCU SEND\_NUM**

Address: Operational Base + offset (0x0024)

Bit	Attr	Reset Value	Description
31:30	RO	0x0	Reserved
29:0	RO	0x00000000	sw_ccu_send_num The frame number which have been send

**RKVDEC CCU SWREG10 CCU TIMECNT**

Address: Operational Base + offset (0x0028)

Bit	Attr	Reset Value	Description
31:0	RO	0x00000000	sw_ccu_timecnt Read time cnt while work_sta is invalid

**RKVDEC CCU SWREG16 CCU WORK\_MODE**

Address: Operational Base + offset (0x0040)

Bit	Attr	Reset Value	Description
31:1	RO	0x0	reserved
0	RW	0x0	sw_ccu_work_mode 1'b0: Ccu auto ctrl mode 1'b1: Cpu ctrl mode

**RKVDEC CCU SWREG17 CCU CORE WORK\_MODE**

Address: Operational Base + offset (0x0044)

Bit	Attr	Reset Value	Description
31:18	RO	0x0	reserved
17	RW	0x0	sw_core1_work_mode_wmask 1'b0: No allow to cfg 1'b1: Be allow to cfg
16	RW	0x0	sw_core0_work_mode_wmask 1'b0: No allow to cfg 1'b1: Be allow to cfg
15:2	RO	0x0	reserved
1	RW	0x0	sw_core1_work_mode 1'b0: Dec core will be used separate 1'b1: Dec core will ctrl by ccu

Bit	Attr	Reset Value	Description
0	RW	0x0	sw_core0_work_mode 1'b0: Dec core will be used separate 1'b1: Dec core will ctrl by ccu

**RKVDEC CCU SWREG18 CCU CORE WORK STA**

Address: Operational Base + offset (0x0048)

Bit	Attr	Reset Value	Description
31:18	RO	0x0	reserved
17	RW	0x0	sw_core1_work_sta_wmask 1'b0: No allow to cfg 1'b1: Be allow to cfg
16	RW	0x0	sw_core0_work_sta_wmask 1'b0: No allow to cfg 1'b1: Be allow to cfg
15:2	RO	0x0	reserved
1	RW	0x0	sw_core1_work_sta 1'b0: Dec core not be ctrled by ccu or it stay at waiting to be activated 1'b1: Dec core has been activated,that is it was on working status
0	RW	0x0	sw_core0_work_sta 1'b0: Dec core not be ctrled by ccu or it stay at waiting to be activated 1'b1: Dec core has been activated,that is it was on working status

**RKVDEC CCU SWREG19 CCU CORE FORCE IDLE E**

Address: Operational Base + offset (0x004c)

Bit	Attr	Reset Value	Description
31:18	RO	0x0	reserved
17	RW	0x0	sw_core1_force_idle_wmask 1'b0: No allow to cfg 1'b1: Be allow to cfg
16	RW	0x0	sw_core0_force_idle_wmask 1'b0: No allow to cfg 1'b1: Be allow to cfg
15:2	RO	0x0	reserved
1	RW	0x0	sw_core1_force_idle_e 1'b0: Core can be used 1'b1: When core should be reset,should config this bit to 1,force ccu core1 controller on idle status;
0	RW	0x0	sw_core0_force_idle_e 1'b0: Core can be used 1'b1: When core should be reset,should config this bit to 1,force ccu core0 controller on idle status;

**RKVDEC CCU SWREG20 CCU CORE REQ TIMEOUT E**

Address: Operational Base + offset (0x0050)

Bit	Attr	Reset Value	Description
31:18	RO	0x0	reserved
17	RW	0x0	sw_core1_req_timeout_e_wmask 1'b0: No allow to cfg 1'b1: Be allow to cfg
16	RW	0x0	sw_core0_req_timeout_e_wmask 1'b0: No allow to cfg 1'b1: Be allow to cfg
15:2	RO	0x0	reserved
1	RW	0x0	sw_core1_req_timeout_e 1'b0: Ccu core1 controller can't timeout 1'b1: When ccu start core to work,but too long to fetch ack,it will unload such core.
0	RW	0x0	sw_core0_req_timeout_e 1'b0: Ccu core0 controller can't timeout 1'b1: When ccu start core to work,but too long to fetch ack,it will unload such core.

**RKVDEC CCU SWREG21 CCU CORE ERR STA**

Address: Operational Base + offset (0x0054)

Bit	Attr	Reset Value	Description
31:18	RO	0x0	reserved
17	RW	0x0	sw_core1_err_sta_clr_wmask 1'b0: No allow to cfg 1'b1: Be allow to cfg
16	RW	0x0	sw_core0_err_sta_clr_wmask 1'b0: No allow to cfg 1'b1: Be allow to cfg
15:2	RO	0x0	reserved
1	RW	0x0	sw_core1_err_sta 1'b0: Core dec correct 1'b1: Some error be checked in dec core
0	RW	0x0	sw_core0_err_sta 1'b0: Core dec correct 1'b1: Some error be checked in dec core

**5.5.13 VDPU381 CACHE Registers Summary**

Name	Offset	Size	Reset Value	Description
<u>PREF_CACHE_VERSION</u>	0x0000	W	0xcac20101	VERSION register
<u>PREF_CACHE_SIZE</u>	0x0004	W	0x07100206	L2 cache SIZE
<u>PREF_CACHE_STATUS</u>	0x0008	W	0x00000000	Status register
<u>PREF_CACHE_COMMAND</u>	0x0010	W	0x00000000	Command setting register
<u>PREF_CACHE_CLEAR_PAGE</u>	0x0014	W	0x00000000	Clear page register
<u>PREF_CACHE_MAX_READS</u>	0x0018	W	0x0000001c	Maximum read register



Name	Offset	Size	Reset Value	Description
<u>PREF CACHE ENABLE</u>	0x001c	W	0x00000003	Enables cacheable accesses and cache read allocation
<u>PREF CACHE PERFCNT SRC0</u>	0x0020	W	0x00000000	Performance counter 0 source register
<u>PREF CACHE PERFCNT VAL0</u>	0x0024	W	0x00000000	Performance counter 0 value register
<u>PREF CACHE PERFCNT SRC1</u>	0x0028	W	0x00000000	This register holds all the possible source values for Performance Counter 00: total clock cycles1: active clock cycles2: read transactions, master3: word reads, master4: read transactions, slave5: word reads, slave6: read hit, slave7: read misses, slave8: read invalidates, slave9: cacheable read transactions, slave10: Bad hit number, slave
<u>PREF CACHE PERFCNT VAL1</u>	0x002c	W	0x00000000	Performance counter 1 value register

Notes: **B**- Byte (8 bits) access, **HW**- Half WORD (16 bits) access, **W**-WORD (32 bits) access

### 5.5.14 VDP381 CACHE Detail Registers Description

#### **PREF CACHE VERSION**

Address: Operational Base + offset (0x0000)

Bit	Attr	Reset Value	Description
31:16	RO	0xcac2	product_id Minor version
15:8	RO	0x01	version_major Major version
7:0	RO	0x01	version_minor The id of product

#### **PREF CACHE SIZE**

Address: Operational Base + offset (0x0004)

Bit	Attr	Reset Value	Description
31:24	RO	0x07	external_bus_width Log2 external bus width in bits
23:16	RO	0x10	cache_size Log2 cache size in bytes For Y channel, its value is 0x10 For UV channel, its value is 0xf
15:8	RO	0x02	associativity Log2 associativity
7:0	RO	0x06	line_size Log2 line size in bytes

#### **PREF CACHE STATUS**

Address: Operational Base + offset (0x0008)

Bit	Attr	Reset Value	Description
31:2	RO	0x00000000	Reserved
1	RW	0x0	data_busy Set when the cache is busy handling data.

Bit	Attr	Reset Value	Description
0	RW	0x0	cmd_busy Set when the cache is busy handling commands.

**PREF CACHE COMMAND**

Address: Operational Base + offset (0x0010)

Bit	Attr	Reset Value	Description
31:6	RO	0x0000000	Reserved
5:4	RW	0x0	sw_addrb_sel 2'b00: To sel b[14:6] 2'b01: To sel b[15:9], b[7:6] 2'b10: To sel b[16:10], b[7:6] 2'b11: To sel b[17:11], b[7:6]
3:0	RW	0x0	command 1'b1: Clear entire cache

**PREF CACHE CLEAR PAGE**

Address: Operational Base + offset (0x0014)

Bit	Attr	Reset Value	Description
31:0	WO	0x00000000	clear_page Writing an address, invalidates all lines in that page from the cache.

**PREF CACHE MAX READS**

Address: Operational Base + offset (0x0018)

Bit	Attr	Reset Value	Description
31:5	RO	0x0000000	Reserved
4:0	RW	0x1c	max_reads Limit the number of outstanding read transactions to this amount.

**PREF CACHE ENABLE**

Address: Operational Base + offset (0x001c)

Bit	Attr	Reset Value	Description
31:5	RO	0x0000000	Reserved
4	RW	0x0	sw_cache_linsize 1'b0: The cache line is 32bytes 1'b1: The cache line is 64bytes
3	RW	0x0	sw_cache_clk_disgate Cache clk disgate When it is 1'b0, enable cache clk auto clkgating When it is 1'b1, disable cache clk auto clkgating
2	RW	0x0	sw_readbuffer_counter_reject_en Default is 1'b0, for enhance cacheable read performnace in readbuffer. 1'b1: Normal origin counter reject
1	RW	0x1	permit_cache_read_allocate 1'b1: Permit cache read allocate
0	RW	0x1	permit_cacheable_access 1'b1: Permit cacheable access

**PREF CACHE PERFCNT SRC0**

Address: Operational Base + offset (0x0020)

Bit	Attr	Reset Value	Description
31:7	RO	0x0000000	Reserved

Bit	Attr	Reset Value	Description
6:0	RW	0x00	percnt_src0 This register holds all the possible source values for Performance Counter 0 0: Disabled 1: Total clock cycles 2: Active clock cycles 3: Read transactions, master 4: Word reads, master 5: Read transactions, slave 6: Word reads, slave 7: Read hit, slave 8: Read misses, slave 9: Read invalidates, slave 10: Cacheable read transactions, slave 11: Bad hit number, slave

**PREF CACHE PERFCNT VAL0**

Address: Operational Base + offset (0x0024)

Bit	Attr	Reset Value	Description
31:0	RW	0x00000000	percnt_val0 Performance counter 0 value

**PREF CACHE PERFCNT SRC1**

Address: Operational Base + offset (0x0028)

Bit	Attr	Reset Value	Description
31:7	RO	0x00000000	Reserved
6:0	RW	0x00	percnt_src1 This register holds all the possible source values for Performance Counter 1 0: Disabled 1: Total clock cycles 2: Active clock cycles 3: Read transactions, master 4: Word reads, master 5: Read transactions, slave 6: Word reads, slave 7: Read hit, slave 8: Read misses, slave 9: Read invalidates, slave 10: Cacheable read transactions, slave 11: Bad hit number, slave

**PREF CACHE PERFCNT VAL1**

Address: Operational Base + offset (0x002c)

Bit	Attr	Reset Value	Description
31:0	RW	0x00000000	percnt_val1 Performance counter 1 value

**5.5.15 VDP381 MMU Registers Summary**

Name	Offset	Size	Reset Value	Description
<u>RKVDEC MMU DTE ADDR</u>	0x0000	W	0x00000000	MMU current page Table address. It is only can be written when MMU state is disable or page fault or mmu enable stall state
<u>RKVDEC MMU STATUS</u>	0x0004	W	0x00000018	MMU status register
<u>RKVDEC MMU COMMAND</u>	0x0008	W	0x00000000	MMU command register
<u>RKVDEC MMU PAGE FAULT ADDR</u>	0x000c	W	0x00000000	MMU logical address of last page fault
<u>RKVDEC MMU ZAP ONE LINE</u>	0x0010	W	0x00000000	MMU Zap cache line register
<u>RKVDEC MMU INT RAWSTAT</u>	0x0014	W	0x00000000	MMU raw interrupt status register
<u>RKVDEC MMU INT CLEAR</u>	0x0018	W	0x00000000	MMU raw interrupt status register
<u>RKVDEC MMU INT MASK</u>	0x001c	W	0x00000000	MMU raw interrupt status register
<u>RKVDEC MMU INT STATUS</u>	0x0020	W	0x00000000	MMU raw interrupt status register
<u>RKVDEC MMU AUTO GATING</u>	0x0024	W	0x00000001	MMU auto gating

Notes: **Size:** **B**- Byte (8 bits) access, **HW**- Half WORD (16 bits) access, **W**-WORD (32 bits) access

### 5.5.16 VDPU381 MMU Detail Registers Description

#### **RKVDEC MMU DTE ADDR**

Address: Operational Base + offset (0x0000)

Bit	Attr	Reset Value	Description
31:0	RW	0x00000000	mmu_dte_addr Mmu dte base addr , the address must be 4kb aligned

#### **RKVDEC MMU STATUS**

Address: Operational Base + offset (0x0004)

Bit	Attr	Reset Value	Description
31:11	RO	0x000000	Reserved
10:6	RO	0x00	page_fault_bus_id Index of master responsible for last page fault.
5	RO	0x0	page_fault_is_write The direction of access for last page fault: 1'b0: Read 1'b1: Write
4	RO	0x1	replay_buffer_empty The MMU replay buffer is empty.
3	RO	0x1	mmu_idle The MMU is idle when accesses are being translated and there are no unfinished translated accesses.
2	RO	0x0	stail_active MMU stall mode currently enabled. The mode is enabled by command.
1	RO	0x0	page_fault_active MMU page fault mode currently enabled. The mode is enabled by command.
0	RO	0x0	paging_enabled Paging is enabled.

**RKVDEC MMU COMMAND**

Address: Operational Base + offset (0x0008)

Bit	Attr	Reset Value	Description
31:3	RO	0x00000000	Reserved
2:0	WO	0x0	mmu_cmd MMU_CMD. This can be: 3'd0: MMU_ENABLE_PAGING 3'd1: MMU_DISABLE_PAGING 3'd2: MMU_ENABLE_STALL 3'd3: MMU_DISABLE_STALL 3'd4: MMU_ZAP_CACHE 3'd5: MMU_PAGE_FAULT_DONE 3'd6: MMU_FORCE_RESET 3'd7: Reserved

**RKVDEC MMU PAGE FAULT ADDR**

Address: Operational Base + offset (0x000c)

Bit	Attr	Reset Value	Description
31:0	RO	0x00000000	page_fault_addr Address of last page fault

**RKVDEC MMU ZAP ONE LINE**

Address: Operational Base + offset (0x0010)

Bit	Attr	Reset Value	Description
31:0	WO	0x00000000	mmu_zap_one_line Address to be invalidated from the page table cache

**RKVDEC MMU INT RAWSTAT**

Address: Operational Base + offset (0x0014)

Bit	Attr	Reset Value	Description
31:2	RO	0x00000000	Reserved
1	RW	0x0	read_bus_error Read bus error
0	RW	0x0	page_fault Page fault

**RKVDEC MMU INT CLEAR**

Address: Operational Base + offset (0x0018)

Bit	Attr	Reset Value	Description
31:2	RO	0x00000000	Reserved
1	WO	0x0	read_bus_error Read bus error
0	WO	0x0	page_fault Page fault

**RKVDEC MMU INT MASK**

Address: Operational Base + offset (0x001c)

Bit	Attr	Reset Value	Description
31:2	RO	0x00000000	Reserved
1	RW	0x0	read_bus_error Read bus error Enable an interrupt source if the corresponding mask bit is set to 1.

Bit	Attr	Reset Value	Description
0	RW	0x0	page_fault Page fault Enable an interrupt source if the corresponding mask bit is set to 1.

**RKVDEC MMU INT STATUS**

Address: Operational Base + offset (0x0020)

Bit	Attr	Reset Value	Description
31:2	RO	0x00000000	Reserved
1	RO	0x0	read_bus_error Read bus error
0	RO	0x0	page_fault Page fault

**RKVDEC MMU AUTO GATING**

Address: Operational Base + offset (0x0024)

Bit	Attr	Reset Value	Description
31:1	RO	0x00000000	Reserved
0	RW	0x1	mmu_auto_gating When it is 1'b1, the mmu will auto gating itself.

**5.5.17 VDPU381 LLP Registers Summary**

Name	Offset	Size	Reset Value	Description
<u>RKVDEC LINK SWREG0</u> <u>LINK MODE IRQ</u>	0x0000	W	0x00000000	The interrupt of LLP mode
<u>RKVDEC LINK SWREG1</u> <u>CFG START ADDR</u>	0x0004	W	0x00000000	the address of register data
<u>RKVDEC LINK SWREG2</u> <u>LINK MODE</u>	0x0008	W	0x00000000	The LLP table add ctrl
<u>RKVDEC LINK SWREG3</u> <u>CONFIG DONE</u>	0x000c	W	0x00000000	Config finish ctrl register
<u>RKVDEC LINK SWREG4</u> <u>DECODERED_NUM</u>	0x0010	W	0x00000000	The frame number which have been decodered
<u>RKVDEC LINK SWREG5</u> <u>DEC TOTAL_NUM</u>	0x0014	W	0x00000000	The total needed decoder number
<u>RKVDEC LINK SWREG6</u> <u>LINK MODE EN</u>	0x0018	W	0x00000000	LLP enable flag
<u>RKVDEC LINK SWREG7</u> <u>NXT_DEC_LTB_BASE</u>	0x001c	W	0x00000000	Register0000 Description

Notes: **Size:** **B**- Byte (8 bits) access, **HW**- Half WORD (16 bits) access, **W**-WORD (32 bits) access

**5.5.18 VDPU381 LLP Detail Register Description**

**RKVDEC LINK SWREG0 LINK MODE IRQ**

Address: Operational Base + offset (0x0000)

Bit	Attr	Reset Value	Description
31:21	RO	0x0	reserved
20	RW	0x0	sw_rcb_buffer_base_fixed 1'b0 : rcb buffer base can be config by ltb table. 1'b1 : rcb buffer will not be changed when ltb table be read,so it need to be config by normal reigster in first.
19:18	RO	0x0	reserved
17	RW	0x0	sw_ccu_core_work_mode 1'b0 : dec core will be used separate 1'b1 : dec core will ctrl by ccu
16	RW	0x0	sw_core_work_mode 1'b0 : ccu auto ctrl and decision mode 1'b1 : cpu ctrl ccu decision mode
15:10	RO	0x0	reserved
9	RW	0x0	rkvdec_irq_raw The irq of decoded
8	RW	0x0	link_table_irq when high, decoder requests an interrrupt. link table irq = sw_dec_irq_raw && (sw_dec_irq_dis == 1'b0)
7:3	RO	0x0	reserved
2	RW	0x0	sw_error_irq_dis 0: if there are any error ,not matter sw_dec_irq_dis ,it will give an interrept . 1:if it will give interrept ,it only according to sw_dec_irq_dis
1:0	RO	0x0	reserved

**RKVDEC LINK SWREG1 CFG START ADDR**

Address: Operational Base + offset (0x0004)

Bit	Attr	Reset Value	Description
31:4	RW	0x0000000	reg_cfg_addr it should be align to 32 byte
3:0	RO	0x0	reserved

**RKVDEC LINK SWREG2 LINK MODE**

Address: Operational Base + offset (0x0008)

Bit	Attr	Reset Value	Description
31	RW	0x0	link_mode 0: normal mode,the first to start link mode 1:add extra ready frame to decoder
30	RO	0x0	reserved
29:0	RW	0x00000000	pre_frame_num 1:config 1 frame

**RKVDEC LINK SWREG3 CONFIG DONE**

Address: Operational Base + offset (0x000c)

Bit	Attr	Reset Value	Description
31:1	RO	0x0	reserved
0	W1 C	0x0	config_done after config okay,config this bit to 1

**RKVDEC LINK SWREG4 DECODED NUM**

Address: Operational Base + offset (0x0010)

Bit	Attr	Reset Value	Description
31	RW	0x0	decoder_error_flag 0:no error 1:error,you will need to see swreg1 to check error type
30	RO	0x0	reserved
29:0	RO	0x00000000	decoder_num The frame number which have been decoded

**RKVDEC LINK SWREG5 DEC TOTAL NUM**

Address: Operational Base + offset (0x0014)

Bit	Attr	Reset Value	Description
31:30	RO	0x0	reserved
29:0	RO	0x00000000	dec_total_num The total needed decoder number

**RKVDEC LINK SWREG6 LINK MODE EN**

Address: Operational Base + offset (0x0018)

Bit	Attr	Reset Value	Description
31:1	RO	0x0	reserved
0	RW	0x0	link_mode_en when error see by hw,it will auto reset to 0

**RKVDEC LINK SWREG7 NXT DEC LTB BASE**

Address: Operational Base + offset (0x001c)

Bit	Attr	Reset Value	Description
31:0	RW	0x00000000	nxt_dec_ltb_base bytes unit

**5.5.19 VDP720 Registers Summary**

Name	Offset	Size	Reset Value	Description
<u>RKDJPEG_SWREG0_ID</u>	0x0000	W	0x00000000	ID register (read only)
<u>RKDJPEG_SWREG1_INT</u>	0x0004	W	0x00000000	Interrupt and decoder enable register
<u>RKDJPEG_SWREG2_SYS</u>	0x0008	W	0x00000000	Rk jpeg decoder system ctrl



<b>Name</b>	<b>Offset</b>	<b>Size</b>	<b>Reset Value</b>	<b>Description</b>
<u>RKDJPEG_SWREG3_PIC_SIZE</u>	0x000c	W	0x00000000	Picture width and height size
<u>RKDJPEG_SWREG4_PIC_FORMAT</u>	0x0010	W	0x00000000	Jpeg picture format configurate
<u>RKDJPEG_SWREG5_HOR_VIRSTRIDE</u>	0x0014	W	0x00000000	Sw_y_hor_virstride and sw_uv_hor_virstride configurate
<u>RKDJPEG_SWREG6_Y_VIRSTRIDE</u>	0x0018	W	0x00000000	Sw_y_virstride configurate
<u>RKDJPEG_SWREG7_TABLE_LEN</u>	0x001c	W	0x00000000	Dequant table and huffman table length Description
<u>RKDJPEG_SWREG8_STREAM_LEN</u>	0x0020	W	0x00000000	Rk jpeg stream length and start byte info Description
<u>RKDJPEG_SWREG9_QTBL_BASE</u>	0x0024	W	0x00000000	Dequant table DDR base address Description
<u>RKDJPEG_SWREG10_HTBL_MINCODE_BASE</u>	0x0028	W	0x00000000	huffman mincode table DDR base address Description
<u>RKDJPEG_SWREG11_HTBL_VALUE_BASE</u>	0x002c	W	0x00000000	Huffman value table DDR base address Description
<u>RKDJPEG_SWREG12_STREAM_BASE</u>	0x0030	W	0x00000000	Stream data DDR base address Description
<u>RKDJPEG_SWREG13_DEC_OUT_BASE</u>	0x0034	W	0x00000000	Rk jpeg recon decoder output data DDR address Description
<u>RKDJPEG_SWREG14_STREAM_ERROR</u>	0x0038	W	0x00000000	Rk jpeg decoder stream error process
<u>RKDJPEG_SWREG15_STREAM_MASK</u>	0x003c	W	0x00000000	Rk jpeg decoder special marker process
<u>RKDJPEG_SWREG16_CLK_GATE</u>	0x0040	W	0x00000000	Rk jpeg decoder clk gate enable
<u>RKDJPEG_SWREG30_PERF_LATENCY_CTRL0</u>	0x0078	W	0x00000000	Rk jpeg decoder axi performance ctrl0 Description
<u>RKDJPEG_SWREG31_PERF_LATENCY_CTRL1</u>	0x007c	W	0x00000000	Rk jpeg decoder axi performance ctrl1 Description
<u>RKDJPEG_SWREG32_DBG_MCU_POS</u>	0x0080	W	0x00000000	Rk jpeg debug register with mcu position Description
<u>RKDJPEG_SWREG33_DBG_ERROR_INFO</u>	0x0084	W	0x00000000	Rk jpeg debug register with error info Description
<u>RKDJPEG_SWREG34_PERF_RD_MAX_LATENCY_NUM0</u>	0x0088	W	0x00000000	Rd_max_latency_num Description
<u>RKDJPEG_SWREG35_PERF_RD_LATENCY_SAMPLE_NUM</u>	0x008c	W	0x00000000	Rd_latency_thr_num Description

Name	Offset	Size	Reset Value	Description
<u>RKDJPEG_SWREG36_PERF_RD_LATENCY_ACC_SUM</u>	0x0090	W	0x00000000	Rd_latency_acc_sum Description
<u>RKDJPEG_SWREG37_PERF_RD_AXI_TOTAL_BYTE</u>	0x0094	W	0x00000000	Perf_rd_axi_total_byte Description
<u>RKDJPEG_SWREG38_PERF_WR_AXI_TOTAL_BYTE</u>	0x0098	W	0x00000000	Perf_wr_axi_total_byte Description
<u>RKDJPEG_SWREG39_PERF_WORKING_CNT</u>	0x009c	W	0x00000000	Perf_working_cnt Description

Notes:Size:**B**- Byte (8 bits) access, **HW**- Half WORD (16 bits) access, **W**-WORD (32 bits) access

### 5.5.20 VDP720 Detail Registers Description

#### RKDJPEG\_SWREG0\_ID

Address: Operational Base + offset (0x0000)

Bit	Attr	Reset Value	Description
31:16	RO	0x0000	prod_num RKDJPEG version
15:9	RO	0x0	Reserved
8	RO	0x0	bit_depth Max bit_depth support 1'b0: 8bits 1'b1: 12bits
7:0	RO	0x00	minor_ver 8'd0: Default 8'd1: 8k

#### RKDJPEG\_SWREG1\_INT

Address: Operational Base + offset (0x0004)

Bit	Attr	Reset Value	Description
31:17	RO	0x0	Reserved
16	RW	0x0	sw_care_strm_error_e Use for sw_error_prc_mode=1 1'b0: Not care stream error,when sw_care_strm_error_e=0, sw_dec_error_sta will not valid, Mmu will not be reset at frame end, Link table mode will continue without care stream error, Only active error info registers; 1'b1: Care stream error;
15	RW	0x0	sw_buf_empty_force_end_flag 1'b0: Invalid 1'b1: Valid Buffer empty interrupt with stream real empty So should force hardware decoder current frame end

Bit	Attr	Reset Value	Description
14	RW	0x0	sw_softreset_rdy When it is 1'b1, it says that softreset has been done
13	RW	0x0	sw_dec_buf_empty_sta Buffer empty status, only when sw_buf_empty_e is 1'b1 , this bit is valid Software should clean stream buffer empty state and set sw_buf_empty_reload_p enable at the same time
12	RW	0x0	sw_dec_timeout_sta When high the decoder has been idling for too long. it will self reset the hardware Only when sw_dec_timeout_e is 1'b1, this bit is valid
11	RW	0x0	sw_dec_error_sta When high, an error is found in input data stream decoding. When sw_error_prc_mode is 1'b0, it will self reset the hardware, otherwise it will not
10	RW	0x0	sw_dec_bus_sta When this bit is high, there is error on the axi bus, it will self reset hardware
9	RW	0x0	sw_dec_rdy_sta When this bit is high, decoder has decoded a picture (the output module send out a frame rdy)
8	RW	0x0	sw_dec_irq When high, decoder requests an interrupt. sw_dec_irq = sw_dec_irq_raw && (sw_dec_irq_dis == 1'b0)
7	RW	0x0	sw_wait_reset_e The enable flag of wait software system to reset flag 1'b0: Hardware will auto reset when error occur 1'b1: Wait software process reset when error occur
6	RW	0x0	sw_dec_irq_raw The raw status of sw_dec_irq, SW should reset this bit after interrupt is handled
5	RW	0x0	sw_softrst_en_p Softreset enable signal Write 1 to soft reset, write 0 invalid Pluse register

Bit	Attr	Reset Value	Description
4	RW	0x0	sw_buf_empty_reload_p Buffer empty stream reload enable signal Write 1 to reload stream data ready Pulse register with hardware auto clean valid at next cycle Before reload enable, strm_len register should be reset and start_of_type is zero sw_strm_base addr may be reset also. Note: sw_error_prc_mode should be set to 1 when sw_buf_empty_e valid Otherwise the hardware would be reset and not support buffer empty reload
3	RW	0x0	sw_buf_empty_e Buffer empty interrupt enable
2	RW	0x0	sw_dec_timeout_e If enabled HW may return timeout interrupt in case HW gets stucked while decoding picture.
1	RW	0x0	sw_dec_irq_dis When high, there are no interrupts concerning decoder from HW. Polling must be used to see the interrupt status
0	RW	0x0	sw_dec_e Decoder enable. Setting this bit high will start the decoding operation. HW will reset this when the picture is decoded ready or bus error or time out interrupt is given for all decode format.

**RKDJPEG SWREG2\_SYS**

Address: Operational Base + offset (0x0008)

Bit	Attr	Reset Value	Description
31	RW	0x0	sw_yuv2rgb_range Jpeg decoder yuv2rgb range 1'b0: Range0 limit (Y[16:235],UV[16:240],RGB[0:255]) 1'b1: Range1 full (YUV[0:255],RGB[0:255])
30	RW	0x0	sw_yuv2rgb_rec Jpeg decoder yuv2rgb rec 1'b0: BT601 1'b1: BT709
29:27	RW	0x0	sw_yuv_out_format Jpeg decoder yuv output transmit format 3'b000: Yuv out without transmit format 3'b001: Yuv2rgb888 3'b010: Yuv2rgb565 3'b011: Yuv2yuv420sp(not support yuv400 transmit to yuv420sp) 3'b100: Yuv2yuuv(only support yuv422 or yuv444, yuv444 should uv scaledown)

Bit	Attr	Reset Value	Description
26	RW	0x0	sw_dec_out_sequence Recon data out format when afbc off 1'b0: Raster sequence out 1'b1: Tile sequence out
25	RW	0x0	sw_fill_right_e When JPEG picture width pixels is not a multiple of 16 pixels. 1'b0: Not fill picture width to multiple of 16 pixels. 1'b1: Fill picture width to multiple of 16 pixels. HW must fill one block of zero pixel data to the right border of the picture.
24	RW	0x0	sw_fill_down_e When JPEG picture height pixels is not a multiple of 16 pixels. 1'b0: Not fill picture height to multiple of 16 pixels. 1'b1: Fill picture height to multiple of 16 pixels. HW must fill one block row of zero pixel data for the last block row of picture.
23	RW	0x0	sw_bgr_sequence Jpeg decoder rgb sequence 1'b0: Rgb565/rgb888 1'b1: Bgr565/bgr888 Default is be mode
22	RW	0x0	sw_fbc_force_uncompress 1'b0: Allow fbce compress yuv block; 1'b1: Force all yuv block use uncompress mode;
21	RW	0x0	sw_allow_16x8_cp_flag 1'b0: Not allow 1'b1: Allow The configurate value is depend on vop work mode
20	RW	0x0	sw_fbc_e 1'b0: Disable 1'b1: Fbc enable
19:18	RO	0x0	Reserved
17	RW	0x0	sw_force_softreset_valid When sw_force_softreset_valid is 1'b1, sw_softrst_en will always be valid to the system no matter that whether the axi bus is idle; When sw_force_softreset_valid is 1'b0, sw_softrst_en will only be valid when the axi bus is idle.
16	RW	0x0	sw_timeout_mode Timeout mode select 1'b0: TIMEOUT_CYCLES is 24 1'b1; 1'b1: TIMEOUT_CYCLES is 18 1'b1;
15:14	RO	0x0	Reserved

Bit	Attr	Reset Value	Description
13:12	RW	0x0	sw_scaledown_mode Jpeg decoder scaledown mode 2'b00: Not scaledown 2'b01: 1/2 scaledown 2'b10: 1/4 scaledown 2'b11: 1/8 scaledown
11	RO	0x0	Reserved
10	RW	0x0	sw_out_byte_swap May be used for 16 bits sequence output info 1'b0: No swapping of 8 bits data, 0x1234 1'b1: 8 bits data are swapped, 0x3412
9	RW	0x0	sw_out_cbc_r_swap 1'b0: Cb(u) is in the lower address, cr(v) is in the higher address 1'b1: Cb(u) is in the higher address, cr(v) is in the lower address sw_in_cbc_r_swap is the same with sw_out_cbc_r_swap Jpeg decoder only support for yuv4xxsp
8	RW	0x0	sw_out_swap64_e May be used for 128 bit environment 1'b0: No swapping of 64 bit words 1'b1: 64 bit data words are swapped
7	RW	0x0	sw_out_swap32_e May be used for 64 or 128 bit environment 1'b0: No swapping of 32 bit words 1'b1: 32 bit data words are swapped
6	RW	0x0	sw_out_endian 1'b0: Little endian 1'b1: Big endian For little endian , a data 0x12345678, 0x78 is stored in lower address, 0x12 is stored in higher address
5	RW	0x0	sw_str_swap64_e May be used for 128 bit environment 1'b0: No swapping of 64 bit words 1'b1: 64 bit data words are swapped
4	RW	0x0	sw_str_swap32_e May be used for 64 or 128 bit environment 1'b0: No swapping of 32 bit words 1'b1: 32 bit data words are swapped
3	RW	0x0	sw_str_endian 1'b0: Little endian 1'b1: Big endian For little endian , a data 0x12345678, 0x78 is stored in lower address, 0x12 is stored in higher address

Bit	Attr	Reset Value	Description
2	RW	0x0	sw_in_swap64_e May be used for 128 bit environment 1'b0: Noswapping of 64 bit words 1'b1: 64 bit data words are swapped
1	RW	0x0	sw_in_swap32_e My be used for 64 or 128 bit environment 1'b0: Noswapping of 32 bit words 1'b1: 32 bit data words are swapped
0	RW	0x0	sw_in_endian 1'b0: Little endian 1'b1: Big endian For litter enadian , a data 0x12345678, 0x78 is stored in lower address, 0x12 is stored in higher address

**RKDJPEG SWREG3 PIC SIZE**

Address: Operational Base + offset (0x000c)

Bit	Attr	Reset Value	Description
31:16	RW	0x0000	sw_pic_height_m1 Picture height in pixels unit minus1(should be mcu align by hardware)
15:0	RW	0x0000	sw_pic_width_m1 Picture width in pixels unit minus1(should be mcu align by hardware)

**RKDJPEG SWREG4 PIC FORMAT**

Address: Operational Base + offset (0x0010)

Bit	Attr	Reset Value	Description
31:16	RW	0x0000	sw_dri_mcu_num_m1 Restart marker frequency. Tells the amount of coding units between restart markers Specifies the number of MCU in the restart. The number is minus1
15	RW	0x0	sw_dri_e Define restart interval marker enable 1'b0: Restart interval marker disable 1'b1: Restart interval marker enable
14	RO	0x0	Reserved

Bit	Attr	Reset Value	Description
13:12	RW	0x0	sw_htables_sel Amount of Huffman tables in external memory: 2'd0: No Huffman tables. 2'd1: One Huffman table. Used when picture is single type 2'd2: Two Huffman tables. One for luminance and one for chrominances 2'd3: Three Huffman tables. Each type (Lu, Cb, Cr) has own Huffman table
11:10	RO	0x0	Reserved
9:8	RW	0x0	sw_qtables_sel Amount of Quantization tables in external memory: 2'd0: No quantization tables. 2'd1: One quantization table. Used when picture is single type 2'd2: Two quantization tables. One for luminance and one for chrominances 2'd3: Three quantization tables. Each type (Lu, Cr, Cb) has own QP-table
7	RO	0x0	Reserved
6:4	RW	0x0	sw_pixel_depth Picture luma pixel depth minus8. 3'd0: 8bits 3'd4: 12bits
3	RO	0x0	Reserved
2:0	RW	0x0	sw_jpeg_mode Input picture sampling format: 3'd0: single type, MB 1 block (4:0:0) 3'd1: single type, MB 6 blocks (4:1:1) 3'd2: three types, MB 6 blocks (4:2:0) 3'd3: three types, MB 4 blocks (4:2:2) 3'd4: three types, MB 4 blocks (4:4:0) 3'd5: three types, MB 3 blocks (4:4:4)

**RKDJPEG\_SWREG5\_HOR\_VIRSTRIDE**

Address: Operational Base + offset (0x0014)

Bit	Attr	Reset Value	Description
31:16	RW	0x0000	sw_uv_hor_virstride Picture horizontal virtual stride (the unit is 128bit) The max is 65536x2/16 = 0x2000 Suggest this register to configuration to even for advance DDR performance yuv444 tile mode ,uv_hor_virstride will use 16bits



Bit	Attr	Reset Value	Description
15:0	RW	0x0000	sw_y_hor_virstride Picture horizontal virtual stride (the unit is 128bit) The max is 65536x2/16 = 0x2000 Suggest this register to configuration to even for advance DDR performance Fbc mode: used for head virtual stride But rgb888 tile mode ,y_hor_virstride 16bits is not enough,will be use 17bits

**RKDJPEG SWREG6 Y VIRSTRIDE**

Address: Operational Base + offset (0x0018)

Bit	Attr	Reset Value	Description
31:4	RW	0x0000000	sw_y_virstride Base address with 16 byte precision for decoder output luminance picture virtual stride
3:0	RO	0x0	Reserved

**RKDJPEG SWREG7 TABLE LEN**

Address: Operational Base + offset (0x001c)

Bit	Attr	Reset Value	Description
31:25	RO	0x0	Reserved
24	RW	0x0	sw_y_hor_virstride_h Picture horizontal virtual stride (the unit is 128bit) High bit when rgb888 tile mode use ,y_hor_virstride 16bits is not enough,will be use 17bits
23:22	RO	0x0	Reserved
21:16	RW	0x00	sw_htbl_value_len Huffman value tables length(minus 1) with 16 byte align(128bits)
15:13	RO	0x0	Reserved
12:8	RW	0x00	sw_htbl_mincode_len Huffman maxcode mincode and accaddr length(minus 1) with 16 byte align(128bits)
7:5	RO	0x0	Reserved
4:0	RW	0x00	sw_qtbl_len Quant table length(minus 1) with 16 byte align(128bits)

**RKDJPEG SWREG8 STRM LEN**

Address: Operational Base + offset (0x0020)

Bit	Attr	Reset Value	Description
31:4	RW	0x0000000	sw_stream_len Amount of stream data 16 bytes(minus 1) in input buffer. If the given buffer size is not enough for finishing the picture the corresponding interrupt is given and new stream buffer base address and stream buffer size information should be given (associates with sw_strm_in_base).
3:0	RW	0x0	sw_strm_start_byte Input stream start byte offset: 4'd0: 0 type, of the base addr(16bytes) offset 4'd1: 1 type, of the base addr(16bytes) offset 4'd2: 2 type, of the base addr(16bytes) offset 4'd3: 3 type, of the base addr(16bytes) offset 4'd4: 4 type, of the base addr(16bytes) offset 4'd5: 5 type, of the base addr(16bytes) offset 4'd6: 6 type, of the base addr(16bytes) offset 4'd7: 7 type, of the base addr(16bytes) offset ...

**RKJPEG SWREG9 QTBL BASE**

Address: Operational Base + offset (0x0024)

Bit	Attr	Reset Value	Description
31:6	RW	0x0000000	sw_qtbl_base Base address for standard dependent tables: AC,DC, QP tables 64 bytes align)
5:0	RO	0x0	Reserved

**RKJPEG SWREG10 HTBL MINCODE BASE**

Address: Operational Base + offset (0x0028)

Bit	Attr	Reset Value	Description
31:6	RW	0x0000000	sw_htbl_mincode_base Base address for standard dependent tables: Huffman mincode and accaddr tables 64 bytes align)
5:0	RO	0x0	Reserved

**RKJPEG SWREG11 HTBL VALUE BASE**

Address: Operational Base + offset (0x002c)

Bit	Attr	Reset Value	Description
31:6	RW	0x0000000	sw_htbl_value_base Base address for standard dependent tables: Huffman value tables 64 bytes align)
5:0	RO	0x0	Reserved

**RKJPEG SWREG12 STRM BASE**

Address: Operational Base + offset (0x0030)

Bit	Attr	Reset Value	Description
31:4	RW	0x0000000	sw_strm_in_base Stream start address with 16 byte precision. Actually, start byte number in stream_start_byte.
3:0	RO	0x0	Reserved

**RKDJPEG SWREG13 DEC OUT BASE**

Address: Operational Base + offset (0x0034)

Bit	Attr	Reset Value	Description
31:6	RW	0x0000000	sw_dec_out_base Base address with 64 byte precision for decoder output luminance picture
5:0	RO	0x0	Reserved

**RKDJPEG SWREG14 STRM ERROR**

Address: Operational Base + offset (0x0038)

Bit	Attr	Reset Value	Description
31:21	RO	0x0	Reserved
20:16	RW	0x00	sw_hfm_force_stop 1'b0: Huffman decoder error and continue. 1'b1: Huffman decoder error force stop the decoder and wait soft reset. [12]: AXI stream buffer empty, and without detect EOI marker stop or not(0:support fill coefficient) [11]:Huffman get EOI marker without frame end stop or not(0:support fill coefficient) [10]:Huffman coefficient overflow detect and stop or not(0:support decode next coefficient) [9]:Huffman decode DRI stream stop or not, when MCU counter is not zero with DRI marker detect(0:support fill coefficient) [8]:Huffman decode DRI stream stop or not, when MCU counter is zero without DRI marker detect(0:support skip dummy stream)
15:10	RO	0x0	Reserved
9	RW	0x0	sw_strm_dri_seq_err_mode 1'b0: Stream dri sequence error do not report error pos; 1'b1: Stream dri sequence error should be report error pos(if it's first error); Note: error state should be report at all case

Bit	Attr	Reset Value	Description
8:7	RW	0x0	sw_strm_other_mark_mode 2'b00: Stream detect other marker do skip process and not report error pos; 2'b01: Stream detect another marker stop the decoder and wait soft reset; 2'b10: Stream detect other marker do skip process 2'b11: Stream detect other marker do with normal stream Note: error state should be report at all case
6:5	RW	0x0	sw_strm_ffff_err_mode 2'b00: Stream detect ffff marker do skip first 0xff process and not report error position; 2'b01: Stream detect another marker stop the decoder and wait soft reset; 2'b10: Stream detect ffff marker do skip first 0xff process; 2'b11: Stream detect ffff marker do with normal stream at first 0xff; Note: error state should be report at all case
4:3	RW	0x0	sw_strm_r1_err_mode Stream detect second select marker process mode configuration 2'b00: Ignore second select marker. 2'b01: Force stop decoder when meet the second select marker 2'b10: Do skip process when meet the second select marker 2'b11: Do with normal stream when meet the second select marker
2:1	RW	0x0	sw_strm_r0_err_mode Stream detect first select marker process mode configuration 2'b00: Ignore first select marker. 2'b01: Force stop decoder when meet the first select marker 2'b10: Do skip process when meet the first select marker 2'b11: Do with normal stream when meet the first select marker
0	RW	0x0	sw_error_prc_mode 1'b0: When there is any stream error, the hardware will stop the decoder and reset itself; 1'b1: When there is any stream error, the hardware will wait the end signal of recon and then reset request;

**RKDJPEG SWREG15 STRM MASK**

Address: Operational Base + offset (0x003c)

Bit	Attr	Reset Value	Description
31:24	RW	0x00	sw_strm_r1_mask zmark the mask info 1'b1: Stream value[7-0] will mask and not care 1'b0: Stream value[7-0] shall match SW marker value
23:16	RW	0x00	sw_strm_r1_marker 0xffxx marker low 8bits value

Bit	Attr	Reset Value	Description
15:8	RW	0x00	sw_strm_r0_mask Mark the mask info 1'b1: Stream value[7-0] will mask and not care 1'b0: Stream value[7-0] shall match SW marker value
7:0	RW	0x00	sw_strm_r0_marker 0xffxx marker low 8bits value

**RKDJPEG SWREG16 CLK GATE**

Address: Operational Base + offset (0x0040)

Bit	Attr	Reset Value	Description
31:8	RO	0x0	Reserved
7:0	RW	0x0	sw_dec_gate_e Total 8 bits each with follow phase 1'b0: Clock gate is not enable 1'b1: Clock gate is enable when busifd block is not working

**RKDJPEG SWREG30 PERF LATENCY CTRL0**

Address: Operational Base + offset (0x0078)

Bit	Attr	Reset Value	Description
31:20	RO	0x0	Reserved
19:8	RW	0x000	sw_rd_latency_thr Rd channel latency threshold
7:4	RW	0x0	sw_rd_latency_id Rd channel id for performance test
3	RW	0x0	sw_axi_cnt_type sw_axi_cnt_type 1'b0: AXI transfer num count 1'b1: DDR align transfer num count
2	RW	0x0	sw_axi_perf_frm_type 1'b0: Clear by frame end 1'b1: Clear by software configuration
1	RW	0x0	sw_axi_perf_clr_e 1'b0: Software clear disable 1'b1: Software clear enable Clear pulse
0	RW	0x0	sw_axi_perf_work_e 1'b0: Disable 1'b1: Enable

**RKDJPEG SWREG31 PERF LATENCY CTRL1**

Address: Operational Base + offset (0x007c)

Bit	Attr	Reset Value	Description
31:13	RO	0x0	Reserved

Bit	Attr	Reset Value	Description
12	RW	0x0	sw_rd_total_bytes_mode 1'b0: Cal all id 1'b1: Cal sw_ar_count_id
11:8	RW	0x0	sw_aw_count_id sw_aw_count_id
7:4	RW	0x0	sw_ar_count_id sw_ar_count_id
3	RW	0x0	sw_aw_cnt_id_type sw_aw_cnt_id_type 1'b0: Count all wr-channels 1'b1: Count sw_wr_cont_id wr-channel only
2	RW	0x0	sw_ar_cnt_id_type sw_ar_cnt_id_type 1'b0: Count all rd-channels 1'b1: Count sw_ar_cont_id rd-channel only
1:0	RW	0x0	sw_addr_align_type sw_addr_align_type 2'd0: 16 byte align 2'd1: 32byte align 2'd2: 64byte align 2'd3: 128byte align

**RKDJPEG SWREG32 DBG MCU POS**

Address: Operational Base + offset (0x0080)

Bit	Attr	Reset Value	Description
31:16	RO	0x0000	mcu_pos_y Decoder mcu position at x coordinal with first error detect, only for read enable
15:0	RO	0x0000	mcu_pos_x Decoder mcu position at y coordinal with first error detect, only for read enable

**RKDJPEG SWREG33 DBG ERROR INFO**

Address: Operational Base + offset (0x0084)

Bit	Attr	Reset Value	Description
31:20	RO	0x0	Reserved

Bit	Attr	Reset Value	Description
19:16	RW	0x0	jpeg_first_error_idx Jpeg decoder first error index 4'd0: stream_dri_seq_err_sta 4'd1: stream_r0_err_sta 4'd2: stream_r1_err_sta 4'd3: stream_ffff_err_sta 4'd4: stream_other_mark_err_sta 4'd8: huffman_mcu_cnt_l 4'd9: huffman_mcu_cnt_m 4'd10: huffman_eoi_without_end 4'd11: huffman_end_without_eoi 4'd12: huffman_overflow 4'd13: huffman_buf_empty
15:14	RO	0x0	Reserved
13	RW	0x0	huffman_buf_empty Decoder picture not complete, and not detect EOI with buffer empty 1'b0: Buffer not empty 1'b1: Buffer empty
12	RW	0x0	huffman_overflow Decoder Huffman coefficient overflow
11	RW	0x0	huffman_end_without_eoi Decoder Huffman frame end without get EOI marker
10	RW	0x0	huffman_eoi_without_end Decoder Huffman get EOI marker without frame end
9	RW	0x0	huffman_mcu_cnt_m Decoder dri stream mcu count more, mcu count 0 without restart mark
8	RW	0x0	huffman_mcu_cnt_l Decoder dri stream mcu count low, restart mark is coming without mcu count 0
7:5	RO	0x0	Reserved
4	RW	0x0	stream_other_mark_err_sta Decoder stream other marker error detect flag, only for read enable 1'b0: Other marker not detect 1'b1: Other marker detect
3	RW	0x0	stream_ffff_err_sta Decoder stream ffff error detect flag, only for read enable 1'b0: Other marker not detect 1'b1: Other marker detect

Bit	Attr	Reset Value	Description
2	RW	0x0	stream_r1_err_sta Decoder stream special marker1 error detect flag, only for read enable 1'b0: Special marker1 not detect 1'b1: Special marker1 detect
1	RW	0x0	stream_r0_err_sta Decoder stream special marker0 error detect flag, only for read enable 1'b0: Special marker0 not detect 1'b1: Special marker0 detect
0	RW	0x0	stream_dri_seq_err_sta 1'b0: Stream DRI at normal sequence 1'b1: Stream error with DRI not at normal sequence

**RKDJPEG SWREG34 PERF RD MAX LATENCY NUM0**

Address: Operational Base + offset (0x0088)

Bit	Attr	Reset Value	Description
31:16	RO	0x0	Reserved
15:0	RW	0x0000	rd_max_latency_num_ch0 rd_max_latency_num_ch0

**RKDJPEG SWREG35 PERF RD LATENCY SAMP NUM**

Address: Operational Base + offset (0x008c)

Bit	Attr	Reset Value	Description
31:0	RW	0x00000000	rd_latency_thr_num_ch0 rd_latency_thr_num_ch0

**RKDJPEG SWREG36 PERF RD LATENCY ACC SUM**

Address: Operational Base + offset (0x0090)

Bit	Attr	Reset Value	Description
31:0	RW	0x00000000	rd_latency_acc_sum rd_latency_acc_sum

**RKDJPEG SWREG37 PERF RD AXI TOTAL BYTE**

Address: Operational Base + offset (0x0094)

Bit	Attr	Reset Value	Description
31:0	RW	0x00000000	perf_rd_axi_total_byte perf_rd_axi_total_byte

**RKDJPEG SWREG38 PERF WR AXI TOTAL BYTE**

Address: Operational Base + offset (0x0098)



Bit	Attr	Reset Value	Description
31:0	RW	0x00000000	perf_wr_axi_total_byte perf_wr_axi_total_byte

**RKDJPEG SWREG39 PERF WORKING CNT**

Address: Operational Base + offset (0x009c)

Bit	Attr	Reset Value	Description
31:0	RW	0x00000000	perf_working_cnt perf_working_cnt

**5.5.21 VDPU720 MMU Registers Summary**

Name	Offset	Size	Reset Value	Description
<u>RKVDEC MMU DTE ADDR</u>	0x0000	W	0x00000000	MMU current page Table address. It is only can be written when MMU state is disable or page fault or mmu enable stall state
<u>RKVDEC MMU STATUS</u>	0x0004	W	0x00000018	MMU status register
<u>RKVDEC MMU COMMAND</u>	0x0008	W	0x00000000	MMU command register
<u>RKVDEC MMU PAGE FAULT ADDR</u>	0x000c	W	0x00000000	MMU logical address of last page fault
<u>RKVDEC MMU ZAP ONE LINE</u>	0x0010	W	0x00000000	MMU Zap cache line register
<u>RKVDEC MMU INT RAWSTAT</u>	0x0014	W	0x00000000	MMU raw interrupt status register
<u>RKVDEC MMU INT CLEAR</u>	0x0018	W	0x00000000	MMU raw interrupt status register
<u>RKVDEC MMU INT MASK</u>	0x001c	W	0x00000000	MMU raw interrupt status register
<u>RKVDEC MMU INT STATUS</u>	0x0020	W	0x00000000	MMU raw interrupt status register
<u>RKVDEC MMU AUTO GATING</u>	0x0024	W	0x00000001	MMU auto gating

Notes: **S**: Size; **B**- Byte (8 bits) access, **HW**- Half WORD (16 bits) access, **W**-WORD (32 bits) access

**5.5.22 VDPU720 MMU Detail Registers Description**

**RKVDEC MMU DTE ADDR**

Address: Operational Base + offset (0x0000)

Bit	Attr	Reset Value	Description
31:0	RW	0x00000000	mmu_dte_addr Mmu dte base addr , the address must be 4kb aligned

**RKVDEC MMU STATUS**

Address: Operational Base + offset (0x0004)

Bit	Attr	Reset Value	Description
31:11	RO	0x000000	Reserved
10:6	RO	0x00	page_fault_bus_id Index of master responsible for last page fault.
5	RO	0x0	page_fault_is_write The direction of access for last page fault: 1'b0: Read 1'b1: Write

Bit	Attr	Reset Value	Description
4	RO	0x1	replay_buffer_empty The MMU replay buffer is empty.
3	RO	0x1	mmu_idle The MMU is idle when accesses are being translated and there are no unfinished translated accesses.
2	RO	0x0	stail_active MMU stall mode currently enabled. The mode is enabled by command.
1	RO	0x0	page_fault_active MMU page fault mode currently enabled. The mode is enabled by command.
0	RO	0x0	paging_enabled Paging is enabled.

**RKVDEC MMU COMMAND**

Address: Operational Base + offset (0x0008)

Bit	Attr	Reset Value	Description
31:3	RO	0x00000000	Reserved
2:0	WO	0x0	mmu_cmd MMU_CMD. This can be: 3'd0: MMU_ENABLE_PAGING 3'd1: MMU_DISABLE_PAGING 3'd2: MMU_ENABLE_STALL 3'd3: MMU_DISABLE_STALL 3'd4: MMU_ZAP_CACHE 3'd5: MMU_PAGE_FAULT_DONE 3'd6: MMU_FORCE_RESET 3'd7: Reserved

**RKVDEC MMU PAGE FAULT ADDR**

Address: Operational Base + offset (0x000c)

Bit	Attr	Reset Value	Description
31:0	RO	0x00000000	page_fault_addr Address of last page fault

**RKVDEC MMU ZAP ONE LINE**

Address: Operational Base + offset (0x0010)

Bit	Attr	Reset Value	Description
31:0	WO	0x00000000	mmu_zap_one_line Address to be invalidated from the page table cache

**RKVDEC MMU INT RAWSTAT**

Address: Operational Base + offset (0x0014)

Bit	Attr	Reset Value	Description
31:2	RO	0x00000000	Reserved
1	RW	0x0	read_bus_error Read bus error
0	RW	0x0	page_fault Page fault

**RKVDEC MMU INT CLEAR**

Address: Operational Base + offset (0x0018)

Bit	Attr	Reset Value	Description
31:2	RO	0x00000000	Reserved

Bit	Attr	Reset Value	Description
1	WO	0x0	read_bus_error Read bus error
0	WO	0x0	page_fault Page fault

**RKVDEC MMU INT MASK**

Address: Operational Base + offset (0x001c)

Bit	Attr	Reset Value	Description
31:2	RO	0x00000000	Reserved
1	RW	0x0	read_bus_error Read bus error Enable an interrupt source if the corresponding mask bit is set to 1.
0	RW	0x0	page_fault Page fault Enable an interrupt source if the corresponding mask bit is set to 1.

**RKVDEC MMU INT STATUS**

Address: Operational Base + offset (0x0020)

Bit	Attr	Reset Value	Description
31:2	RO	0x00000000	Reserved
1	RO	0x0	read_bus_error Read bus error
0	RO	0x0	page_fault Page fault

**RKVDEC MMU AUTO GATING**

Address: Operational Base + offset (0x0024)

Bit	Attr	Reset Value	Description
31:1	RO	0x00000000	Reserved
0	RW	0x1	mmu_auto_gating When it is 1'b1, the mmu will auto gating itself.

**5.5.23 VDPU720 LLP Registers Summary**

Name	Offset	Size	Reset Value	Description
RKDJPEG LINK SWREG0 LINK_MODE_IRQ	0x0000	W	0x00000000	Register0000 Description
RKDJPEG LINK SWREG1 CFG_START_ADDR	0x0004	W	0x00000000	the address of register data
RKDJPEG LINK SWREG2 LINK_MODE	0x0008	W	0x00000000	Register0000 Description
RKDJPEG LINK SWREG3 CONFIG_DONE	0x000c	W	0x00000000	Register0000 Description
RKDJPEG LINK SWREG4 DECODERED_NUM	0x0010	W	0x00000000	Register0000 Description
RKDJPEG LINK SWREG5 DEC_TOTAL_NUM	0x0014	W	0x00000000	Register0000 Description

Name	Offset	Size	Reset Value	Description
RKDJPEG LINK SWREG6 LINK_MODE_EN	0x0018	W	0x00000000	Register0000 Description

Notes: **B**- Byte (8 bits) access, **HW**- Half WORD (16 bits) access, **W**-WORD (32 bits) access

### 5.5.24 VDP720 LLP Registers Description

#### **RKDJPEG LINK SWREG0 LINK\_MODE\_IRQ**

Address: Operational Base + offset (0x0000)

Bit	Attr	Reset Value	Description
31:11	RO	0x0	reserved
10	RW	0x0	sw_link_softreset_rdy when it is 1'b1, it says that softreset has been done
9	RW	0x0	rkvdec_irq_raw Rkvdec raw irq
8	RW	0x0	link_table_irq when high, decoder requests an interrupt. link table irq = sw_dec_irq_raw && (sw_dec_irq_dis == 1'b0)
7:3	RO	0x0	reserved
2	RW	0x0	sw_error_irq_dis 1'b0: if there are any error ,not matter sw_dec_irq_dis ,it will give an interrept . 1'b1: if it will give interrept ,it only according to sw_dec_irq_dis
1	RW	0x0	cache_cfg_mode_sel 1'b0: use rtl default value to config cache, ip will auto clr cache when it begin to start dec a frame. 1'b1: use config in ddr to config cache.
0	RO	0x0	reserved

#### **RKDJPEG LINK SWREG1 CFG\_START\_ADDR**

Address: Operational Base + offset (0x0004)

Bit	Attr	Reset Value	Description
31:4	RW	0x00000000	reg_cfg_addr it should be align to 32 byte
3:0	RO	0x0	reserved

#### **RKDJPEG LINK SWREG2 LINK\_MODE**

Address: Operational Base + offset (0x0008)

Bit	Attr	Reset Value	Description
31	RW	0x0	link_mode 1'b0: normal mode,the first to start link mode 1'b1: add extra ready frame to decoder
30	RO	0x0	reserved
29:0	RW	0x00000000	pre_frame_num 1'b1: config 1 frame

**RKDJPEG LINK SWREG3 CONFIG DONE**

Address: Operational Base + offset (0x000c)

Bit	Attr	Reset Value	Description
31:1	RO	0x0	reserved
0	W1 C	0x0	config_done after config okay,config this bit to 1

**RKDJPEG LINK SWREG4 DECODERED NUM**

Address: Operational Base + offset (0x0010)

Bit	Attr	Reset Value	Description
31	RW	0x0	decoder_error_flag 1'b0: no error 1'b1: error,you will need to see swreg1 to check error type
30	RO	0x0	reserved
29:0	RO	0x00000000	decoder_num Decoder number

**RKDJPEG LINK SWREG5 DEC TOTAL NUM**

Address: Operational Base + offset (0x0014)

Bit	Attr	Reset Value	Description
31:30	RO	0x0	reserved
29:0	RO	0x00000000	dec_total_num Decoder total number

**RKDJPEG LINK SWREG6 LINK MODE EN**

Address: Operational Base + offset (0x0018)

Bit	Attr	Reset Value	Description
31:5	RO	0x0	reserved
4	RW	0x0	sw_link_softrst_en_p link mode software force hardware self reset enable signal write 1 to soft reset, write 0 invalid puls register
3:1	RO	0x0	reserved
0	RW	0x0	link_mode_en when error see by hw,it will auto reset to 0

**5.5.25 VEPU121 Registers Summary**

Name	Offset	Size	Reset Value	Description
<u>VEPU_SWREG_0</u>	0x0000	W	0x00000000	1st quantization for jpeg lumin table
<u>VEPU_SWREG_1</u>	0x0004	W	0x00000000	2st quantization for jpeg lumin table
<u>VEPU_SWREG_2</u>	0x0008	W	0x00000000	3st quantization for jpeg lumin table

<b>Name</b>	<b>Offset</b>	<b>Size</b>	<b>Reset Value</b>	<b>Description</b>
<u>VEPU_SWREG_3</u>	0x000c	W	0x00000000	4st quantization for jpeg lumin table
<u>VEPU_SWREG_4</u>	0x0010	W	0x00000000	5st quantization for jpeg lumin table
<u>VEPU_SWREG_5</u>	0x0014	W	0x00000000	6st quantization for jpeg lumin table/part 1 for qp round
<u>VEPU_SWREG_6</u>	0x0018	W	0x00000000	7st quantization for jpeg lumin table
<u>VEPU_SWREG_7</u>	0x001c	W	0x00000000	8st quantization for jpeg lumin table
<u>VEPU_SWREG_8</u>	0x0020	W	0x00000000	9st quantization for jpeg lumin table
<u>VEPU_SWREG_9</u>	0x0024	W	0x00000000	10st quantization for jpeg lumin table
<u>VEPU_SWREG_10</u>	0x0028	W	0x00000000	11st quantization for jpeg lumin table
<u>VEPU_SWREG_11</u>	0x002c	W	0x00000000	12st quantization for jpeg lumin table
<u>VEPU_SWREG_12</u>	0x0030	W	0x00000000	13st quantization for jpeg lumin table
<u>VEPU_SWREG_13</u>	0x0034	W	0x00000000	14st quantization for jpeg lumin table
<u>VEPU_SWREG_14</u>	0x0038	W	0x00000000	15st quantization for jpeg lumin table
<u>VEPU_SWREG_15</u>	0x003c	W	0x00000000	16st quantization for jpeg lumin table
<u>VEPU_SWREG_16</u>	0x0040	W	0x00000000	1st quantization for jpeg chroma table
<u>VEPU_SWREG_17</u>	0x0044	W	0x00000000	2st quantization for jpeg chroma table
<u>VEPU_SWREG_18</u>	0x0048	W	0x00000000	3st quantization for jpeg chroma table
<u>VEPU_SWREG_19</u>	0x004c	W	0x00000000	4st quantization for jpeg chroma table
<u>VEPU_SWREG_20</u>	0x0050	W	0x00000000	5st quantization for jpeg chroma table
<u>VEPU_SWREG_21</u>	0x0054	W	0x00000000	6st quantization for jpeg chroma table
<u>VEPU_SWREG_22</u>	0x0058	W	0x00000000	7st quantization for jpeg chroma table
<u>VEPU_SWREG_23</u>	0x005c	W	0x00000000	8st quantization for jpeg chroma table/part 3 for qp round
<u>VEPU_SWREG_24</u>	0x0060	W	0x00000000	9st quantization for jpeg chroma table
<u>VEPU_SWREG_25</u>	0x0064	W	0x00000000	10st quantization for jpeg chroma table
<u>VEPU_SWREG_26</u>	0x0068	W	0x00000000	11st quantization for jpeg chroma table
<u>VEPU_SWREG_27</u>	0x006c	W	0x00000000	12st quantization for jpeg chroma table
<u>VEPU_SWREG_28</u>	0x0070	W	0x00000000	13st quantization for jpeg chroma table
<u>VEPU_SWREG_29</u>	0x0074	W	0x00000000	14st quantization for jpeg chroma table
<u>VEPU_SWREG_30</u>	0x0078	W	0x00000000	15st quantization for jpeg chroma table
<u>VEPU_SWREG_31</u>	0x007c	W	0x00000000	16st quantization for jpeg chroma table
<u>VEPU_SWREG_44</u>	0x00b0	W	0x00000000	Intra slice bitmap

<b>Name</b>	<b>Offset</b>	<b>Size</b>	<b>Reset Value</b>	<b>Description</b>
VEPU SWREG 45	0x00b4	W	0x00000000	Intra slice bitmap1
VEPU SWREG 46	0x00b8	W	0x00000000	Intra macro block select register
VEPU SWREG 47	0x00bc	W	0x00000000	CIR intra control register
VEPU SWREG 48	0x00c0	W	0x00000000	Base addr for input luma
VEPU SWREG 49	0x00c4	W	0x00000000	Base address for input cb
VEPU SWREG 50	0x00c8	W	0x00000000	Input cr start address
VEPU SWREG 51	0x00cc	W	0x00000000	Stream header bits left register
VEPU SWREG 52	0x00d0	W	0x00000000	Stream header bits left register
VEPU SWREG 53	0x00d4	W	0x00000000	Stream buffer register
VEPU SWREG 54	0x00d8	W	0x01010000	Axi control register
VEPU SWREG 55	0x00dc	W	0x00000000	Qp related
VEPU SWREG 56	0x00e0	W	0x00000000	The luma reference frame start address
VEPU SWREG 57	0x00e4	W	0x00000000	The chroma reference frame start address
VEPU SWREG 58	0x00e8	W	0x00000000	The result of qp sum div2
VEPU SWREG 59	0x00ec	W	0x00000000	H264 slice ctrl
VEPU SWREG 60	0x00f0	W	0x00000000	Spill ctrl
VEPU SWREG 61	0x00f4	W	0x00000000	Input luminance information
VEPU SWREG 62	0x00f8	W	0x00000000	Rlc_sum
VEPU SWREG 63	0x00fc	W	0x00000000	The reconstructed luma start address
VEPU SWREG 64	0x0100	W	0x00000000	The reconstructed chroma start address
VEPU SWREG 65 REUSE	0x0104	W	0x00000000	Checkpoint 1 and 2
VEPU SWREG 66 REUSE	0x0108	W	0x00000000	Checkpoint 3 and 4
VEPU SWREG 67 REUSE	0x010c	W	0x00000000	Checkpoint 5 and 6
VEPU SWREG 68 REUSE	0x0110	W	0x00000000	Checkpoint 7 and 8
VEPU SWREG 69 REUSE	0x0114	W	0x00000000	Checkpoint 9 and 10
VEPU SWREG 70 REUSE	0x0118	W	0x00000000	Checkpoint word error 1 and 2
VEPU SWREG 71 REUSE	0x011c	W	0x00000000	Checkpoint word error 1 and 2
VEPU SWREG 72 REUSE	0x0120	W	0x00000000	Checkpoint word error 1 and 2
VEPU SWREG 73 REUSE	0x0124	W	0x00000000	Checkpoint delta QP register
VEPU SWREG 74	0x0128	W	0x00000000	Input image format
VEPU SWREG 75	0x012c	W	0x00000000	Intra/inter mode
VEPU SWREG 76 REUSE	0x0130	W	0x00000000	Encoder control register 0
VEPU SWREG 77	0x0134	W	0x00000000	Output stream start address
VEPU SWREG 78	0x0138	W	0x00000000	Output control start address
VEPU SWREG 79	0x013c	W	0x00000000	Next picture luminance start address
VEPU SWREG 80	0x0140	W	0x00000000	Base address for MV output
VEPU SWREG 81	0x0144	W	0x00000000	The cabac table start address
VEPU SWREG 82	0x0148	W	0x00000000	ROI area register

<b>Name</b>	<b>Offset</b>	<b>Size</b>	<b>Reset Value</b>	<b>Description</b>
VEPU SWREG 83	0x014c	W	0x00000000	The second of ROI area register
VEPU SWREG 84	0x0150	W	0x00000000	Stabilization matrix1
VEPU SWREG 85	0x0154	W	0x00000000	Stabilization matrix2
VEPU SWREG 86	0x0158	W	0x00000000	Stabilization matrix3
VEPU SWREG 87	0x015c	W	0x00000000	Stabilization matrix4
VEPU SWREG 88	0x0160	W	0x00000000	Stabilization matrix5
VEPU SWREG 89	0x0164	W	0x00000000	Stabilization matrix6
VEPU SWREG 90	0x0168	W	0x00000000	Stabilization matrix7
VEPU SWREG 91	0x016c	W	0x00000000	Stabilization matrix8
VEPU SWREG 92	0x0170	W	0x00000000	Stabilization matrix9
VEPU SWREG 93	0x0174	W	0x00000000	The output of Stabilization motion sum
VEPU SWREG 94	0x0178	W	0x00000000	Output of Stabilization
VEPU SWREG 95	0x017c	W	0x00000000	RGB to YUV conversion coefficient register
VEPU SWREG 96	0x0180	W	0x00000000	RGB to YUV conversion coefficient register
VEPU SWREG 97	0x0184	W	0x00000000	RGB to YUV conversion coefficient register
VEPU SWREG 98	0x0188	W	0x00000000	RGA MASK
VEPU SWREG 99	0x018c	W	0x00000000	Mv related
VEPU SWREG 100 RE USE	0x0190	W	0x00000000	QP register
VEPU SWREG 101 REA D	0x0194	W	0x1f522780	Hw config reg
VEPU SWREG 102	0x0198	W	0x00000000	Mvc related
VEPU SWREG 103	0x019c	W	0x00000000	Encoder start
VEPU SWREG 104	0x01a0	W	0x00000000	Mb control register
VEPU SWREG 105	0x01a4	W	0x00000000	Swap ctrl register
VEPU SWREG 106 RE USE	0x01a8	W	0x00000000	Encoder control register 1
VEPU SWREG 107 RE USE	0x01ac	W	0x00000000	JPEG control register
VEPU SWREG 108 RE USE	0x01b0	W	0x00000000	Intra slice bmp2
VEPU SWREG 109	0x01b4	W	0x00001000	Encoder status
VEPU SWREG 110 REA D	0x01b8	W	0x48311220	Product ID
VEPU SWREG 120 183	0x01e0	W	0x00000000	Addr range: 0x01e0~0x02dc Swreg120: DMV 4p/1p penalty table values Swreg121: DMV 4p/1p penalty table values Swreg122: DMV 4p/1p penalty table values Swreg123: DMV 4p/1p penalty table values ..... Swreg183: DMV 4p/1p penalty table values

Notes: **Size: B**- Byte (8 bits) access, **HW**- Half WORD (16 bits) access, **W**-WORD (32 bits) access

### 5.5.26 VEPU121 Detail Registers Description



**VEPU SWREG 0**

Address: Operational Base + offset (0x0000)

Bit	Attr	Reset Value	Description
31:0	RW	0x00000000	sw_jpeg_luma_quant1 Jpeg luma quantization 1

**VEPU SWREG 1**

Address: Operational Base + offset (0x0004)

Bit	Attr	Reset Value	Description
31:0	RW	0x00000000	sw_jpeg_luma_quant2 Jpeg luma quantization 2

**VEPU SWREG 2**

Address: Operational Base + offset (0x0008)

Bit	Attr	Reset Value	Description
31:0	RW	0x00000000	sw_jpeg_luma_quant3 Jpeg luma quantization 3

**VEPU SWREG 3**

Address: Operational Base + offset (0x000c)

Bit	Attr	Reset Value	Description
31:0	RW	0x00000000	sw_jpeg_luma_quant4 Jpeg luma quantization 4

**VEPU SWREG 4**

Address: Operational Base + offset (0x0010)

Bit	Attr	Reset Value	Description
31:0	RW	0x00000000	sw_jpeg_luma_quant5 Jpeg luma quantization 5

**VEPU SWREG 5**

Address: Operational Base + offset (0x0014)

Bit	Attr	Reset Value	Description
31:0	RW	0x00000000	sw_jpeg_luma_quant6 Jpeg luma quantization 6

**VEPU SWREG 6**

Address: Operational Base + offset (0x0018)

Bit	Attr	Reset Value	Description
31:0	RW	0x00000000	Sw_jpeg_luma_quant7 Jpeg luma quantization 7

**VEPU SWREG 7**

Address: Operational Base + offset (0x001c)

Bit	Attr	Reset Value	Description
31:0	RW	0x00000000	sw_jpeg_luma_quant8 Jpeg luma quantization 8

**VEPU SWREG 8**

Address: Operational Base + offset (0x0020)

Bit	Attr	Reset Value	Description
31:0	RW	0x00000000	sw_jpeg_luma_quant9 Jpeg luma quantization 9

**VEPU SWREG 9**

## RK3588 TRM-Part1

Address: Operational Base + offset (0x0024)

Bit	Attr	Reset Value	Description
31:0	RW	0x00000000	Sw_jpeg_luma_quant10 Jpeg luma quantization 10

### **VEPU SWREG 10**

Address: Operational Base + offset (0x0028)

Bit	Attr	Reset Value	Description
31:0	RW	0x00000000	sw_jpeg_luma_quant11 Jpeg luma quantization 11

### **VEPU SWREG 11**

Address: Operational Base + offset (0x002c)

Bit	Attr	Reset Value	Description
31:0	RW	0x00000000	Sw_jpeg_luma_quant12 Jpeg luma quantization 12

### **VEPU SWREG 12**

Address: Operational Base + offset (0x0030)

Bit	Attr	Reset Value	Description
31:0	RW	0x00000000	sw_jpeg_luma_quant13 Jpeg luma quantization 13

### **VEPU SWREG 13**

Address: Operational Base + offset (0x0034)

Bit	Attr	Reset Value	Description
31:0	RW	0x00000000	sw_jpeg_luma_quant14 Jpeg luma quantization 14

### **VEPU SWREG 14**

Address: Operational Base + offset (0x0038)

Bit	Attr	Reset Value	Description
31:0	RW	0x00000000	sw_jpeg_luma_quant15 Jpeg luma quantization 15

### **VEPU SWREG 15**

Address: Operational Base + offset (0x003c)

Bit	Attr	Reset Value	Description
31:8	RO	0x000000	Reserved
7:0	RW	0x00	sw_jpeg_luma_quant16 Jpeg luma quantization 16

### **VEPU SWREG 16**

Address: Operational Base + offset (0x0040)

Bit	Attr	Reset Value	Description
31:0	RW	0x00000000	sw_jpeg_chroma_quant1 Jpeg chroma quantization 1

### **VEPU SWREG 17**

Address: Operational Base + offset (0x0044)

Bit	Attr	Reset Value	Description
31:0	RW	0x00000000	Sw_jpeg_chroma_quant2 Jpeg chroma quantization 2

### **VEPU SWREG 18**

## **RK3588 TRM-Part1**

Address: Operational Base + offset (0x0048)

<b>Bit</b>	<b>Attr</b>	<b>Reset Value</b>	<b>Description</b>
31:0	RW	0x00000000	sw_jpeg_chroma_quant3 Jpeg chroma quantization 3

### **VEPU SWREG 19**

Address: Operational Base + offset (0x004c)

<b>Bit</b>	<b>Attr</b>	<b>Reset Value</b>	<b>Description</b>
31:0	RW	0x00000000	sw_jpeg_chroma_quant4 Jpeg chroma quantization 4

### **VEPU SWREG 20**

Address: Operational Base + offset (0x0050)

<b>Bit</b>	<b>Attr</b>	<b>Reset Value</b>	<b>Description</b>
31:0	RW	0x00000000	sw_jpeg_chroma_quant5 Jpeg chroma quantization 5

### **VEPU SWREG 21**

Address: Operational Base + offset (0x0054)

<b>Bit</b>	<b>Attr</b>	<b>Reset Value</b>	<b>Description</b>
31:0	RW	0x00000000	sw_jpeg_chroma_quant6 Jpeg chroma quantization 6

### **VEPU SWREG 22**

Address: Operational Base + offset (0x0058)

<b>Bit</b>	<b>Attr</b>	<b>Reset Value</b>	<b>Description</b>
31:0	RW	0x00000000	sw_jpeg_chroma_quant7 Jpeg chroma quantization 7

### **VEPU SWREG 23**

Address: Operational Base + offset (0x005c)

<b>Bit</b>	<b>Attr</b>	<b>Reset Value</b>	<b>Description</b>
31:0	RW	0x00000000	sw_jpeg_chroma_quant8 Jpeg chroma quantization 8

### **VEPU SWREG 24**

Address: Operational Base + offset (0x0060)

<b>Bit</b>	<b>Attr</b>	<b>Reset Value</b>	<b>Description</b>
31:0	RW	0x00000000	sw_jpeg_chroma_quant9 Jpeg chroma quantization 9

### **VEPU SWREG 25**

Address: Operational Base + offset (0x0064)

<b>Bit</b>	<b>Attr</b>	<b>Reset Value</b>	<b>Description</b>
31:0	RW	0x00000000	sw_jpeg_chroma_quant10 Jpeg chroma quantization 10

### **VEPU SWREG 26**

Address: Operational Base + offset (0x0068)

<b>Bit</b>	<b>Attr</b>	<b>Reset Value</b>	<b>Description</b>
31:9	RO	0x000000	Reserved
8:0	RW	0x000	sw_jpeg_chroma_quant11 Jpeg chroma quantization 11

### **VEPU SWREG 27**

Address: Operational Base + offset (0x006c)

Bit	Attr	Reset Value	Description
31:0	RW	0x00000000	sw_jpeg_chroma_quant12 Jpeg chroma quantization 12

**VEPU SWREG 28**

Address: Operational Base + offset (0x0070)

Bit	Attr	Reset Value	Description
31:12	RO	0x00000	Reserved
11:0	RW	0x000	sw_jpeg_chroma_quant13 Jpeg chroma quantization 13

**VEPU SWREG 29**

Address: Operational Base + offset (0x0074)

Bit	Attr	Reset Value	Description
31:0	RW	0x00000000	sw_jpeg_chroma_quant14 Jpeg chroma quantization 14

**VEPU SWREG 30**

Address: Operational Base + offset (0x0078)

Bit	Attr	Reset Value	Description
31:12	RO	0x00000	Reserved
11:0	RW	0x000	sw_jpeg_chroma_quant15 Jpeg chroma quantization 15

**VEPU SWREG 31**

Address: Operational Base + offset (0x007c)

Bit	Attr	Reset Value	Description
31:0	RW	0x00000000	sw_jpeg_chroma_quant16 Jpeg chroma quantization 16

**VEPU SWREG 44**

Address: Operational Base + offset (0x00b0)

Bit	Attr	Reset Value	Description
31:0	RW	0x00000000	intra_slice_bmp0 Bit0 : Slices0 Bit1 : Slices1 Bit2 : Slices2 ..... Bit31 : Slices31

**VEPU SWREG 45**

Address: Operational Base + offset (0x00b4)

Bit	Attr	Reset Value	Description
31:0	RW	0x00000000	intra_slice_bmp1 Bit0 : Slices32 Bit1 : Slices33 Bit2 : Slices34 ..... Bit31 : Slices63

**VEPU SWREG 46**

Address: Operational Base + offset (0x00b8)

Bit	Attr	Reset Value	Description
31:24	RW	0x00	intra_up_mb_area The top intra macro block's area used in row.

Bit	Attr	Reset Value	Description
23:16	RW	0x00	intra_down_mb_area The bottom intra macro block's area used in row.
15:8	RW	0x00	intra_left_mb_area The left intra macro block's area used in column.
7:0	RW	0x00	intra_right_mb_area The right intra macro block's area used in column.

**VEPU SWREG 47**

Address: Operational Base + offset (0x00bc)

Bit	Attr	Reset Value	Description
31:16	RW	0x0000	cir_first_intra 16'd0: Disable Other: Enable and be set
15:0	RW	0x0000	cir_intra_mb_itvl 16'd0: Disable Other: Enable and be set

**VEPU SWREG 48**

Address: Operational Base + offset (0x00c0)

Bit	Attr	Reset Value	Description
31:0	RW	0x00000000	luma_in_st_adr Input luma start address

**VEPU SWREG 49**

Address: Operational Base + offset (0x00c4)

Bit	Attr	Reset Value	Description
31:0	RW	0x00000000	cb_in_st_adr Input cb start address

**VEPU SWREG 50**

Address: Operational Base + offset (0x00c8)

Bit	Attr	Reset Value	Description
31:0	RW	0x00000000	cr_in_st_adr Input cr start address

**VEPU SWREG 51**

Address: Operational Base + offset (0x00cc)

Bit	Attr	Reset Value	Description
31:0	RW	0x00000000	strm_header_left_hbits The high 32 bit of stram header be left.

**VEPU SWREG 52**

Address: Operational Base + offset (0x00d0)

Bit	Attr	Reset Value	Description
31:0	RW	0x00000000	strm_header_left_lbits The low 32 bit of stram header be left.

**VEPU SWREG 53**

Address: Operational Base + offset (0x00d4)

Bit	Attr	Reset Value	Description
31:0	RW	0x00000000	strm_bufsize_lmt The limit size of steam buffer.

**VEPU SWREG 54**

Address: Operational Base + offset (0x00d8)

Bit	Attr	Reset Value	Description
31:24	RW	0x01	axi_rd_id If config 0,it will be modify as 1 by HW auto
23:16	RW	0x01	axi_wr_id If config 0,it will be modify as 1 by HW auto
15:14	RO	0x0	Reserved
13:8	RW	0x00	burst_len Burst length
7:3	RO	0x00	Reserved
2	RW	0x0	burst_incr_mod_sel 1'b0: Single burst selected 1'b1: Incr burst selected
1	RW	0x0	burst_discard 1'b0: Disable, off 1'b1: Enable, on
0	RW	0x0	burst_disable 1'b0: Enable 1'b1: Disable

**VEPU SWREG 55**

Address: Operational Base + offset (0x00dc)

Bit	Attr	Reset Value	Description
31:16	RO	0x0000	Reserved
15:12	RW	0x0	roi_dlt_qp1 1st for delta qp for roi
11:8	RW	0x0	roi_dlt_qp2 2st for delta qp for roi
7:4	RO	0x0	Reserved
3:0	RW	0x0	qp_adjst Signed register; Range from -8 to 7

**VEPU SWREG 56**

Address: Operational Base + offset (0x00e0)

Bit	Attr	Reset Value	Description
31:0	RW	0x00000000	luma_ref_st_adr The luma reference frame start address

**VEPU SWREG 57**

Address: Operational Base + offset (0x00e4)

Bit	Attr	Reset Value	Description
31:0	RW	0x00000000	chroma_ref_st_adr The chroma reference frame start address

**VEPU SWREG 58**

Address: Operational Base + offset (0x00e8)

Bit	Attr	Reset Value	Description
31:11	RW	0x000000	qp_sum_div2 The result of (qp sum)/2

**VEPU SWREG 59**

Address: Operational Base + offset (0x00ec)

Bit	Attr	Reset Value	Description
31:29	RO	0x0	Reserved

Bit	Attr	Reset Value	Description
28	RW	0x0	h264_qurt_pixmv_dis 1'b1: Disable 1'b0: Default, enable
27:26	RO	0x0	Reserved
25:24	RW	0x0	dblkingflt_mode 2'd0: Enabled 2'd1: Disabled 2'd2: Disabled on slice
23	RO	0x0	Reserved
22:21	RW	0x0	h264_cabac_idc 2'd0,2'd1,2'd2: Used 2'd3: No use
20	RW	0x0	entry_code_fmt H.264: 1'b0: Cavlc 1'b1: Cabac
19:18	RO	0x0	Reserved
17	RW	0x0	h264_trfmod_8x8 On-off for 8x8 transform used in h264
16	RW	0x0	h264_res_intermod_4x4 The restriction inter mode selected in 4x4 block
15	RW	0x0	h264_strm_mod_sel 1'b0: NAL unit 1'b1: BYTE
14:8	RW	0x00	h264_slice_num 7'b0: One slice in current picture 7'b1: Two slice in current picture .....

**VEPU SWREG 60**

Address: Operational Base + offset (0x00f0)

Bit	Attr	Reset Value	Description
31:22	RO	0x000	Reserved
21:16	RW	0x00	strm_st_offset
15:8	RW	0x00	skip_mb_mode H264: SKIP macroblock mode
7:6	RO	0x0	Reserved
5:4	RW	0x0	right_spill Div4 value Range: 0~3
3:0	RW	0x0	bot_spill The bottom edge of image for spill pixels

**VEPU SWREG 61**

Address: Operational Base + offset (0x00f4)

Bit	Attr	Reset Value	Description
31:23	RO	0x000	Reserved
22:20	RW	0x0	offset_in_chroma Byte unit
19	RO	0x0	Reserved
18:16	RW	0x0	offset_in_luma Byte unit
15:14	RO	0x0	Reserved
13:0	RW	0x0000	row_len_in_luma

**VEPU SWREG 62**

Address: Operational Base + offset (0x00f8)

Bit	Attr	Reset Value	Description
31:22	RO	0x000	Reserved
21:0	RW	0x000000	rlc_sum Rlc_sum

**VEPU SWREG 63**

Address: Operational Base + offset (0x00fc)

Bit	Attr	Reset Value	Description
31:0	RW	0x00000000	recon_luma_st_adr The reconstructed luma start address

**VEPU SWREG 64**

Address: Operational Base + offset (0x0100)

Bit	Attr	Reset Value	Description
31:0	RW	0x00000000	recon_chroma_st_adr The reconstructed chroma start address

**VEPU SWREG 65 REUSE**

Address: Operational Base + offset (0x0104)

Bit	Attr	Reset Value	Description
31:16	RW	0x0000	h264_chkpt_1 1st word used for check point used in h.264
15:0	RW	0x0000	h264_chkpt_2 2st word used for check point used in h.264

**VEPU SWREG 66 REUSE**

Address: Operational Base + offset (0x0108)

Bit	Attr	Reset Value	Description
31:16	RW	0x0000	h264_chkpt_3 3st word used for check point used in h.264
15:0	RW	0x0000	h264_chkpt_4 4st word used for check point used in h.264

**VEPU SWREG 67 REUSE**

Address: Operational Base + offset (0x010c)

Bit	Attr	Reset Value	Description
31:16	RW	0x0000	h264_chkpt_5 5st word used for check point used in h.264
15:0	RW	0x0000	h264_chkpt_6 6st word used for check point used in h.264

**VEPU SWREG 68 REUSE**

Address: Operational Base + offset (0x0110)

Bit	Attr	Reset Value	Description
31:16	RW	0x0000	h264_chkpt_7 7st word used for check point used in h.264
15:0	RW	0x0000	h264_chkpt_8 8st word used for check point used in h.264

**VEPU SWREG 69 REUSE**

Address: Operational Base + offset (0x0114)



Bit	Attr	Reset Value	Description
31:16	RW	0x0000	h264_chkpt_9 9st word used for check point used in h.264
15:0	RW	0x0000	h264_chkpt_10 10st word used for check point used in h.264

**VEPU SWREG 70 REUSE**

Address: Operational Base + offset (0x0118)

Bit	Attr	Reset Value	Description
31:16	RW	0x0000	h264_errchkpt_1 1st word error check point used in h.264
15:0	RW	0x0000	h264_errchkpt_2 2st word error check point used in h.264

**VEPU SWREG 71 REUSE**

Address: Operational Base + offset (0x011c)

Bit	Attr	Reset Value	Description
31:16	RW	0x0000	h264_errchkpt_3 3st word error check point used in h.264
15:0	RW	0x0000	h264_errchkpt_4 4st word error check point used in h.264

**VEPU SWREG 72 REUSE**

Address: Operational Base + offset (0x0120)

Bit	Attr	Reset Value	Description
31:16	RW	0x0000	h264_errchkpt_5 5st word error check point used in h.264
15:0	RW	0x0000	h264_errchkpt_6 6st word error check point used in h.264

**VEPU SWREG 73 REUSE**

Address: Operational Base + offset (0x0124)

Bit	Attr	Reset Value	Description
31:28	RO	0x0	Reserved
27:24	RW	0x0	chkqp_1 1st for delta qp check point
23:20	RW	0x0	chkqp_2 2st for delta qp check point
19:16	RW	0x0	chkqp_3 3st for delta qp check point
15:12	RW	0x0	chkqp_4 4st for delta qp check point
11:8	RW	0x0	chkqp_5 5st for delta qp check point
7:4	RW	0x0	chkqp_6 6st for delta qp check point
3:0	RW	0x0	chkqp_7 7st for delta qp check point

**VEPU SWREG 74**

Address: Operational Base + offset (0x0128)

Bit	Attr	Reset Value	Description
31:30	RO	0x0	Reserved
29:24	RW	0x00	mad_thsld Value = (MAD threshold)/256

Bit	Attr	Reset Value	Description
23:16	RW	0x00	encoded_slices The number of encoder slices which used in h.264
15:8	RO	0x00	Reserved
7:4	RW	0x0	img_fmt_in YUV420P YUV420SP YUV422 UYVY422 RGB565 RGB444 RGB888 RGB101010
3:2	RW	0x0	Img_in_rot 2'd0: No rotation 2'd1: Rotate right 90 degrees 2'd2: Rotate left 90 degrees
1	RO	0x0	Reserved
0	RW	0x0	nal_mode The output of NAL size to base control

**VEPU SWREG 75**

Address: Operational Base + offset (0x012c)

Bit	Attr	Reset Value	Description
31:16	RW	0x0000	intramod_16x16
15:0	RW	0x0000	intermod The intra/inter selection for inter macro block mode favor.

**VEPU SWREG 76 REUSE**

Address: Operational Base + offset (0x0130)

Bit	Attr	Reset Value	Description
31:26	RW	0x00	pps_init_qp Pps init qp in picture used in h264. Range: 0~51
25:22	RW	0x0	slice_ft_alpha Offset div2 Range: -6~6
21:18	RW	0x0	slice_ft_beta Config value = (real value)/2 Signed register Range: -6 ~6
17:13	RW	0x00	qp_offset_ch Signed register Range: -12~12
12:9	RO	0x0	Reserved
8	RW	0x0	sw_qpass
7:5	RO	0x0	Reserved
4:1	RW	0x0	idr_picid IDR pic ID
0	RW	0x0	constr_intra_pred Constrained intra prediction

**VEPU SWREG 77**

Address: Operational Base + offset (0x0134)

Bit	Attr	Reset Value	Description
31:0	RW	0x00000000	output_strm_st_adr Output stream start address

**VEPU SWREG 78**

Address: Operational Base + offset (0x0138)

Bit	Attr	Reset Value	Description
31:0	RW	0x00000000	output_ctrl_st_adr Output control start address

**VEPU SWREG 79**

Address: Operational Base + offset (0x013c)

Bit	Attr	Reset Value	Description
31:0	RW	0x00000000	next_luma_st_adr Next picture luminance start address

**VEPU SWREG 80**

Address: Operational Base + offset (0x0140)

Bit	Attr	Reset Value	Description
31:0	RW	0x00000000	mv_out_st_adr Mv wr start address

**VEPU SWREG 81**

Address: Operational Base + offset (0x0144)

Bit	Attr	Reset Value	Description
31:0	RW	0x00000000	cabac_table_st_adr H264: Cabac table

**VEPU SWREG 82**

Address: Operational Base + offset (0x0148)

Bit	Attr	Reset Value	Description
31:24	RW	0x00	first_roi_tmb (Inside area)
23:16	RW	0x00	first_roi_bmb (Outside area)
15:8	RW	0x00	first_roi_lmb $Qp=qp + roi1\_Delta\_Qp$ (Inside area)
7:0	RW	0x00	first_roi_rmb $Qp=qp - roi1\_Delta\_Qp$ (Outside area)

**VEPU SWREG 83**

Address: Operational Base + offset (0x014c)

Bit	Attr	Reset Value	Description
31:24	RW	0x00	second_roi_rmb (Inside area)
23:16	RW	0x00	second_roi_bmb (Outside area)
15:8	RW	0x00	second_roi_lmb $Qp=qp + roi1\_Delta\_Qp$ (Inside area)
7:0	RW	0x00	second_roi_tmb $Qp=qp - roi1\_Delta\_Qp$ (Outside area)

**VEPU SWREG 84**

Address: Operational Base + offset (0x0150)

Bit	Attr	Reset Value	Description
31:24	RO	0x00	Reserved
23:0	RW	0x000000	stab_matrix1 (Position@ up-left)

**VEPU SWREG 85**

Address: Operational Base + offset (0x0154)

Bit	Attr	Reset Value	Description
31:24	RO	0x00	Reserved
23:0	RW	0x000000	stab_matrix2 (Position @ up)

**VEPU SWREG 86**

Address: Operational Base + offset (0x0158)

Bit	Attr	Reset Value	Description
31:24	RO	0x00	Reserved
23:0	RW	0x000000	stab_matrix3 (Position @up-right)

**VEPU SWREG 87**

Address: Operational Base + offset (0x015c)

Bit	Attr	Reset Value	Description
31:24	RO	0x00	reserved
23:0	RW	0x000000	stab_matrix4 (Position @ left)

**VEPU SWREG 88**

Address: Operational Base + offset (0x0160)

Bit	Attr	Reset Value	Description
31:24	RO	0x00	reserved
23:0	RW	0x000000	stab_matrix5 (Position @GMV )

**VEPU SWREG 89**

Address: Operational Base + offset (0x0164)

Bit	Attr	Reset Value	Description
31:24	RO	0x00	Reserved
23:0	RW	0x000000	stab_matrix6 (Position@right )

**VEPU SWREG 90**

Address: Operational Base + offset (0x0168)

Bit	Attr	Reset Value	Description
31:24	RO	0x00	Reserved
23:0	RW	0x000000	stab_matrix7 (Position@down-left)

**VEPU SWREG 91**

Address: Operational Base + offset (0x016c)

Bit	Attr	Reset Value	Description
31:24	RO	0x00	Reserved

Bit	Attr	Reset Value	Description
23:0	RW	0x000000	stab_matrix8 (Position@down )

**VEPU SWREG 92**

Address: Operational Base + offset (0x0170)

Bit	Attr	Reset Value	Description
31:26	RW	0x00	stab_gmv_vrtl Signed register Range: -16~16
25:24	RO	0x0	Reserved
23:0	RW	0x000000	stab_matrix9 (Position@down- right )

**VEPU SWREG 93**

Address: Operational Base + offset (0x0174)

Bit	Attr	Reset Value	Description
31:0	RW	0x00000000	stab_motion_sum Read value = (real value)/8 Range: 0~1089*253*255*53/8

**VEPU SWREG 94**

Address: Operational Base + offset (0x0178)

Bit	Attr	Reset Value	Description
31:8	RW	0x000000	stab_min_value Range: 0~255*253*253
7:6	RW	0x0	stab_mod_sel 2'd0: Disabled 2'd1: Stab only 2'd2: Stab+encode 2'd3: Reservde
5:0	RW	0x00	stab_hor_gmv Signed register Range: -16~16

**VEPU SWREG 95**

Address: Operational Base + offset (0x017c)

Bit	Attr	Reset Value	Description
31:16	RW	0x0000	rgb2yuv_coe2 The 2st conversion coefficien for RGB to YUV
15:0	RW	0x0000	rgb2yuv_coe1 The 1st conversion coefficien for RGB to YUV

**VEPU SWREG 96**

Address: Operational Base + offset (0x0180)

Bit	Attr	Reset Value	Description
31:16	RW	0x0000	rgb2yuv_coe5 The 5st conversion coefficien for RGB to YUV
15:0	RW	0x0000	rgb2yuv_coe3 The 3st conversion coefficien for RGB to YUV

**VEPU SWREG 97**

Address: Operational Base + offset (0x0184)

Bit	Attr	Reset Value	Description
31:16	RO	0x0000	Reserved

Bit	Attr	Reset Value	Description
15:0	RW	0x0000	rgb2yuv_coe6 The 6st conversion coefficien for RGB to YUV

**VEPU SWREG 98**

Address: Operational Base + offset (0x0188)

Bit	Attr	Reset Value	Description
31:21	RO	0x000	Reserved
20:16	RW	0x00	bcmppt_mask_postition Range: 0~31
15:13	RO	0x0	Reserved
12:8	RW	0x00	gcmppt_mask_postition Range: 0~31
7:5	RO	0x0	Reserved
4:0	RW	0x00	rcmppt_mask_postition Range: 0~31

**VEPU SWREG 99**

Address: Operational Base + offset (0x018c)

Bit	Attr	Reset Value	Description
31	RO	0x0	Reserved
30:21	RW	0x000	mv_1p_ply Differential MV penalty for 1p
20:11	RW	0x000	mv_1p_4p_ply ME. DMVPenaltyQp
10:1	RW	0x000	mv_4p_ply 4p of differential MV penalty
0	RW	0x0	mutimv_en On-off flag for using exceed one mv every mb.

**VEPU SWREG 100 REUSE**

Address: Operational Base + offset (0x0190)

Bit	Attr	Reset Value	Description
31:26	RW	0x00	h264_init_luma_qp Range: 0~51
25:20	RW	0x00	h264_max_qp Range: 0~51
19:14	RW	0x00	h264_min_qp Range: 0~51
13	RO	0x0	Reserved
12:0	RW	0x0000	h264_chkpt_distance Checkpoint distance for macro block

**VEPU SWREG 101 READ**

Address: Operational Base + offset (0x0194)

Bit	Attr	Reset Value	Description
31:12	RO	0x1f522	hw_config Hardware config
11:0	RO	0x780	max_vid_width Max vid_width

**VEPU SWREG 102**

Address: Operational Base + offset (0x0198)

Bit	Attr	Reset Value	Description
31:24	RO	0x00	Reserved

Bit	Attr	Reset Value	Description
23:20	RW	0x0	mv_favor_16x16 Value = (real value)/2.
19:11	RW	0x000	mv_ply_4x4 4x4 Mv Penalty
10:8	RW	0x0	mvc_view_id MVC view id
7	RW	0x0	mvc_anchor_pic_flag To specifie picture is one part of anchor access unit
6:4	RW	0x0	mvc_priority_id MVC priority id
3:1	RW	0x0	mvc_temporal_id MVC temporal id
0	RW	0x0	mvc_inter_view_flag MVC inter_view_flag.

**VEPU SWREG 103**

Address: Operational Base + offset (0x019c)

Bit	Attr	Reset Value	Description
31:29	RO	0x0	Rreserved
28:20	RW	0x000	enc_height Lum height (macroblock unit) H264: [6..255] JPEG: [6..511]
19:17	RO	0x0	Reserved
16:8	RW	0x000	enc_width Lum width (macroblock unit) H264: Range: 9~255 JPEG: Range: 6~511
7:6	RW	0x0	enc_frame_type 2'd0: INTER 2'd1: INTRA(IDR) 2'd2: MVC-INTER 2'd3: Reserved
5:4	RW	0x0	enc_fmt 2'd2: JPEG 2'd3: H264 Other: Reserved
3:1	RO	0x0	Reserved
0	RW	0x0	enc_en Encoder enable

**VEPU SWREG 104**

Address: Operational Base + offset (0x01a0)

Bit	Attr	Reset Value	Description
31:16	RW	0x0000	mb_count_out Mb_count_out
15:0	RW	0x0000	mb_cnt Macroblock_count

**VEPU SWREG 105**

Address: Operational Base + offset (0x01a4)

Bit	Attr	Reset Value	Description
31	RW	0x0	swap8_in 1'b0: No swap 1'b1: Swap 8bit
30	RW	0x0	swap16_in 1'b0: No swap 1'b1: Swap 16bit
29	RW	0x0	swap32_in 1'b0: No swap 1'b1: Swap 32bit
28	RW	0x0	swap8_out 1'b0: No swap 1'b1: Swap 8bit
27	RW	0x0	swap16_out 1'b0: No swap 1'b1: Swap 16bit
26	RW	0x0	swap32_out 1'b0: No swap 1'b1: Swap 32bit
25	RO	0x0	Reserved
24	RW	0x0	test_irq Test irq
23:20	RW	0x0	test_counter Test counter
19	RW	0x0	coher_test_reg Test register coherency
18	RW	0x0	coher_test_mem Test memory coherency
17:0	RW	0x00000	test_len Test data length

**VEPU SWREG 106 REUSE**

Address: Operational Base + offset (0x01a8)

Bit	Attr	Reset Value	Description
31:24	RW	0x00	pic_para_id H.264 picture parameter id set
23:16	RW	0x00	intra_pred_mode H.264 intra prediction previous 4x4 mode favor
15:0	RW	0x0000	frame_num H.264 frame number

**VEPU SWREG 107 REUSE**

Address: Operational Base + offset (0x01ac)

Bit	Attr	Reset Value	Description
31:30	RO	0x0	Reserved
29:20	RW	0x000	mv_ply_16x8_8x16 Penalty for using 16x8 or 8x16 MV
19:10	RW	0x000	mv_ply_8x8 Penalty for using 8x8 MV
9:0	RW	0x000	mv_ply_8x4_4x8 Penalty for using 8x4 or 4x8 MV.

**VEPU SWREG 108 REUSE**

Address: Operational Base + offset (0x01b0)



Bit	Attr	Reset Value	Description
31:0	RW	0x00000000	intra_slice_bmp2 Bit0: Slices64 Bit1: Slices65 Bit2: Slices66 ..... Bit31: Slices95

**VEPU SWREG 109**

Address: Operational Base + offset (0x01b4)

Bit	Attr	Reset Value	Description
31:25	RO	0x0	Reserved
24	RW	0x0	mv_sad_wren The each MB MV and SAD be writed to mv_wr_st_adr enable
23:21	RO	0x0	Reserved
20	RW	0x0	rocon_write_dis Write reconstructed image disable flag
19:17	RO	0x0	Reserved
16	RW	0x0	slice_rdyint_en Enable slice ready interruipt
15:13	RO	0x0	Reserved
12	RW	0x1	clk_gating_en Default clk_gating_en = 1'b1
11	RO	0x0	Reserved
10	RW	0x0	int_timeout_en Enable interrupt for timeout
9	RW	0x0	irq_clr Irq clear
8	RW	0x0	irq_dis Irq disable
7	RO	0x0	Reserved
6	RW	0x0	irq_timeout HW wait timeout flag
5	RW	0x0	irq_buffer_full Buffer full flag
4	RW	0x0	irq_bus_error Bus error irq
3	RW	0x0	fuse_int Fuse irq
2	RW	0x0	irq_slice_ready Slice ready flag
1	RW	0x0	irq_frame_rdy One frame encoder sucess flag
0	RW	0x0	enc_irq Enc interruipt

**VEPU SWREG 110 READ**

Address: Operational Base + offset (0x01b8)

Bit	Attr	Reset Value	Description
31:16	RO	0x4831	prod_id Product ID
15:12	RO	0x1	major_num Major number

Bit	Attr	Reset Value	Description
11:4	RO	0x22	minor_num Minor number
3:0	RO	0x0	synthesis {ASCII_ID_E,BUILDNUMBER}

**VEPU SWREG 120 183**

Address: Operational Base + offset (0x01e0)

Bit	Attr	Reset Value	Description
31:0	WO	0x00000000	dmv_ply_table Addr range: 0x01e0~0x02dc Swreg120: DMV 4p/1p penalty table values Swreg121: DMV 4p/1p penalty table values Swreg122: DMV 4p/1p penalty table values Swreg123: DMV 4p/1p penalty table values ..... Swreg183: DMV 4p/1p penalty table values

**5.5.27 VEP121 MMU Detail Registers Description**

**VCODEC MMU DTE ADDR**

Address: Operational Base + offset (0x0000)

Bit	Attr	Reset Value	Description
31:0	RW	0x00000000	mmu_dte_addr MMU current page Table address

**VCODEC MMU STATUS**

Address: Operational Base + offset (0x0004)

Bit	Attr	Reset Value	Description
31:11	RO	0x000000	Reserved
10:6	RO	0x00	page_fault_bus_id Index of master responsible for last page fault
5	RO	0x0	page_fault_is_write The direction of access for last page fault: 1'b0: Read 1'b1: Write
4	RO	0x1	replay_buffer_empty 1'b1: The MMU replay buffer is empty
3	RO	0x1	mmu_idle The MMU is idle when accesses are being translated and there are no unfinished translated accesses. 1'b1: MMU is idle
2	RO	0x0	stail_active MMU stall mode currently enabled. The mode is enabled by command 1'b1: MMU is in stall active status
1	RO	0x0	page_fault_active MMU page fault mode currently enabled. The mode is enabled by command. 1'b1: Page fault is active
0	RO	0x0	paging_enabled 1'b0: Paging is disabled 1'b1: Paging is enabled

**VCODEC MMU COMMAND**

Address: Operational Base + offset (0x0008)

Bit	Attr	Reset Value	Description
31:3	RO	0x00000000	Reserved
2:0	WO	0x0	mmu_cmd MMU_CMD. This can be: 3'd0: MMU_ENABLE_PAGING 3'd1: MMU_DISABLE_PAGING 3'd2: MMU_ENABLE_STALL 3'd3: MMU_DISABLE_STALL 3'd4: MMU_ZAP_CACHE 3'd5: MMU_PAGE_FAULT_DONE 3'd6: MMU_FORCE_RESET

**VCODEC MMU PAGE FAULT ADDR**

Address: Operational Base + offset (0x000c)

Bit	Attr	Reset Value	Description
31:0	RO	0x00000000	page_fault_addr Address of last page fault

**VCODEC MMU ZAP ONE LINE**

Address: Operational Base + offset (0x0010)

Bit	Attr	Reset Value	Description
31:0	WO	0x00000000	mmu_zap_one_line Address to be invalidated from the page table cache

**VCODEC MMU INT RAWSTAT**

Address: Operational Base + offset (0x0014)

Bit	Attr	Reset Value	Description
31:2	RO	0x00000000	Reserved
1	RW	0x0	read_bus_error Read bus error status
0	RW	0x0	page_fault Page fault status

**VCODEC MMU INT CLEAR**

Address: Operational Base + offset (0x0018)

Bit	Attr	Reset Value	Description
31:2	RO	0x00000000	Reserved
1	WO	0x0	read_bus_error Write 1 to clear read bus error
0	WO	0x0	page_fault Write 1 to page fault clear

**VCODEC MMU INT MASK**

Address: Operational Base + offset (0x001c)

Bit	Attr	Reset Value	Description
31:2	RO	0x00000000	Reserved
1	RW	0x0	read_bus_error Enable the read bus interrupt source when this bit is set to 1'b1
0	RW	0x0	page_fault Enable the page fault interrupt source when this bit is set to 1'b1

**VCODEC MMU INT STATUS**

Address: Operational Base + offset (0x0020)

Bit	Attr	Reset Value	Description
31:2	RO	0x00000000	Reserved

Bit	Attr	Reset Value	Description
1	RO	0x0	read_bus_error 1'b1: Read bus error status
0	RO	0x0	page_fault 1'b1: Page fault

**VCODEC MMU AUTO GATING**

Address: Operational Base + offset (0x0024)

Bit	Attr	Reset Value	Description
31:1	RO	0x00000000	Reserved
0	RW	0x1	mmu_auto_clkgating When it is 1'b1, the mmu will auto gating it self

**5.5.28 VEPU580 Registers Summary**

Name	Offset	Size	Reset Value	Description
VEPU580_VERSION	0x0000	W	0x5060030B	VEPU Version Register
VEPU580_ENC_STRT	0x0010	W	0x00000000	VEPU Start Command Register
VEPU580_ENC_CLR	0x0014	W	0x00000000	VEPU Clear Command Register
VEPU580_INT_EN	0x0020	W	0x00000000	Interrupt Enable Register
VEPU580_INT_MSK	0x0024	W	0x00000000	Interrupt Mask Register
VEPU580_INT_CLR	0x0028	W	0x00000000	Interrupt Clear Register
VEPU580_INT_STA	0x002C	W	0x00000000	Interrupt Status Register
VEPU580_DBUS_ENDIAN	0x0030	W	0x00000000	Data Bus Endian
VEPU580_DBUS_CFG	0x0034	W	0x00000000	Data Bus Configuration
VEPU580_ENC_WDG	0x0038	W	0x00000000	VEPU Watch Dog
VEPU580_CORE_ID	0x005C	W	0x00000000	Core ID
VEPU580_LKT_BASE_ADDR	0x0070	W	0x00000000	Link Table Base Address
VEPU580_NODE_ID	0x0100	W	0x00000000	Core ID of Link Table Node
VEPU580_NODE_ADR_CFG	0x0104	W	0x00000000	Address of Frame Configuration Section in Link Table Node
VEPU580_NODE_ADR_RC	0x0108	W	0x00000000	Address of Rate Control Section in Link Table Node
VEPU580_NODE_ADR_PAR	0x010C	W	0x00000000	Address of Parameter Section in Link Table Node
VEPU580_NODE_ADR_SA	0x0110	W	0x00000000	Address of Subjective Adjustment Section in Link Table Node
VEPU580_NODE_ADR_SCAL	0x0114	W	0x00000000	Address of Scaling List Section in Link Table Node
VEPU580_NODE_ADR OSD	0x0118	W	0x00000000	Address of OSD Section in Link Table Node
VEPU580_NODE_ADR_INF	0x011C	W	0x00000000	Encoding Information Section in Link Table Node
VEPU580_NODE_ADR_NEXT	0x0120	W	0x00000000	Address of the next Link Table Node
VEPU580_ADR_SRC0	0x0280	W	0x00000000	Address of Video Source Buffer0

<b>Name</b>	<b>Offset</b>	<b>Size</b>	<b>Reset Value</b>	<b>Description</b>
<u>VEPU580_ADR_SRC1</u>	0x0284	W	0x00000000	Address of Video Source Buffer1
<u>VEPU580_ADR_SRC2</u>	0x0288	W	0x00000000	Address of Video Source Buffer2
<u>VEPU580_ADR_RECW_H</u>	0x028C	W	0x00000000	Write Address of Reconstruction Header Buffer
<u>VEPU580_ADR_RFPW_B</u>	0x0290	W	0x00000000	Write Address of Reconstruction Body Buffer
<u>VEPU580_ADR_RFPR_H</u>	0x0294	W	0x00000000	Read Address of Reconstruction Header Buffer
<u>VEPU580_ADR_RFPR_B</u>	0x0298	W	0x00000000	Read Address of Reconstruction Body Buffer
<u>VEPU580_ADR_CMVW</u>	0x029C	W	0x00000000	Write Address of Col-Mv Buffer
<u>VEPU580_ADR_CMVR</u>	0x02A0	W	0x00000000	Read Address of Col-Mv Buffer
<u>VEPU580_ADR_DSPW</u>	0x02A4	W	0x00000000	Write Address of Down Sample Picture Buffer
<u>VEPU580_ADR_DSPR</u>	0x02A8	W	0x00000000	Read Address of Down Sample Picture Buffer
<u>VEPU580_ADR_MEIW</u>	0x02AC	W	0x00000000	Write Address of ME Information Buffer
<u>VEPU580_ADR_BSBT</u>	0x02B0	W	0x00000000	Top Address of Bit Stream Buffer
<u>VEPU580_ADR_BSBB</u>	0x02B4	W	0x00000000	Bottom Address of Bit Stream Buffer
<u>VEPU580_ADR_BSBR</u>	0x02B8	W	0x00000000	Read Address of Bit Stream Buffer
<u>VEPU580_ADR_BSBS</u>	0x02BC	W	0x00000000	Start Address of Bit Stream Buffer
<u>VEPU580_ADR_TILEW</u>	0x02C0	W	0x00000000	Write Address of TILE Buffer
<u>VEPU580_ADR_TILER</u>	0x02C4	W	0x00000000	Read Address of TILE Buffer
<u>VEPU580_ADR_ROI_BASE</u>	0x02C8	W	0x00000000	Address of ROI Base Buffer
<u>VEPU580_ADR_ROI_QP</u>	0x02CC	W	0x00000000	Address of ROI QP buffer
<u>VEPU580_ADR_ROI_AMV</u>	0x02D0	W	0x00000000	Address of ROI AMV Buffer
<u>VEPU580_ADR_ROI_FMV</u>	0x02D4	W	0x00000000	Address of ROI Forced Mv Buffer
<u>VEPU580_ADR_ELBT</u>	0x02D8	W	0x00000000	Top Address of External Line Buffer
<u>VEPU580_ADR_ELBB</u>	0x02DC	W	0x00000000	Bottom Address of External Line Buffer
<u>VEPU580_CMN_CFG</u>	0x0300	W	0x00000000	VEPU Common Configuration
<u>VEPU580_ENC_RSL</u>	0x0310	W	0x00000000	Video Resolution
<u>VEPU580_SRC_EXT</u>	0x0314	W	0x00000000	Video Source Extension For Alignment
<u>VEPU580_SRC_FMT</u>	0x0318	W	0x00000000	Video Source Format
<u>VEPU580_SRC_UDFY</u>	0x031C	W	0x00000000	Weight of User Defined RGB to Y Conversion
<u>VEPU580_SRC_UDFU</u>	0x0320	W	0x00000000	Weight of User Defined RGB to U Conversion

<b>Name</b>	<b>Offset</b>	<b>Size</b>	<b>Reset Value</b>	<b>Description</b>
<u>VEPU580_SRC_UDFV</u>	0x0324	W	0x00000000	Weight of User Defined RGB to V Conversion
<u>VEPU580_SRC_UDFO</u>	0x0328	W	0x00000000	Offset of User Defined RGB to YUV Conversion
<u>VEPU580_SRC_PROC</u>	0x032C	W	0x00000000	Video Source Process
<u>VEPU580_SRC_OFST</u>	0x0330	W	0x00000000	Video Source Offset
<u>VEPU580_SRC_STRD0</u>	0x0334	W	0x00000000	Video Source Stride0
<u>VEPU580_SRC_STRD1</u>	0x0338	W	0x00000000	Video Source Stride1
<u>VEPU580_RC_CFG</u>	0x0350	W	0x00000000	Rate Control Configuration
<u>VEPU580_RC_QP</u>	0x0354	W	0x00000000	Rate Control Qp Configuration
<u>VEPU580_RC_TGT</u>	0x0358	W	0x00000000	Rate Control Target
<u>VEPU580_SLI_SPLT</u>	0x0360	W	0x00000000	Slice Split Configuration
<u>VEPU580_SLI_BYTE</u>	0x0364	W	0x00000000	Byte Length of Slice Split
<u>VEPU580_SLI_CNUM</u>	0x0368	W	0x00000000	CTU/MB Num of Slice Split
<u>VEPU580_ME_RNGE</u>	0x0370	W	0x00000000	Motion Estimation Search Range
<u>VEPU580_ME_CFG_HEVC</u>	0x0374	W	0x00080505	Motion Estimation Configuration for HEVC
<u>VEPU580_ME_CFG_H264</u>	0x0374	W	0x00090505	Motion Estimation Configuration for H.264
<u>VEPU580_ME_CACH</u>	0x0378	W	0x00000000	ME Cache Configuration
<u>VEPU580_GMV</u>	0x0380	W	0x00000000	Global Mv
<u>VEPU580_ROI_EN</u>	0x0390	W	0x00000000	ROI enable
<u>VEPU580_RDO_CFG_H264</u>	0x03A0	W	0x00000000	H.264 RDO Configuration, share address with HEVC
<u>VEPU580_RDO_CFG_HEVC</u>	0x03A0	W	0x00000000	HEVC RDO Configuration, share address with H.264
<u>VEPU580_IPRD_CSTS</u>	0x03A4	W	0x00000000	Intra Prediction Cost Configuration
<u>VEPU580_SYNT_NAL_H264</u>	0x03B0	W	0x00000000	NAL configuration for H.264, share address with HEVC
<u>VEPU580_SYNT_NAL_HEVC</u>	0x03B0	W	0x00000000	NAL configuration for HEVC, share address with H.264
<u>VEPU580_SYNT_SPS_H264</u>	0x03B4	W	0x00000000	Sequence Parameter Set syntax for H.264, share address with HEVC
<u>VEPU580_SYNT_SPS_HEVC</u>	0x03B4	W	0x00000000	Sequence Parameter Set syntax for HEVC, share address with H.264
<u>VEPU580_SYNT_PPS_H264</u>	0x03B8	W	0x00000000	Picture Parameter Set for H.264, share address with HEVC
<u>VEPU580_SYNT_PPS_HEVC</u>	0x03B8	W	0x00000000	Picture Parameter Set for HEVC, share address with H.264

<b>Name</b>	<b>Offset</b>	<b>Size</b>	<b>Reset Value</b>	<b>Description</b>
<u>VEPU580_SYNT_SLIO_H2_64</u>	0x03BC	W	0x00000000	Slice Header0 for H.264, share address with HEVC
<u>VEPU580_SYNT_SLIO_HEVC</u>	0x03BC	W	0x00000000	Slice Header0 for HEVC, share address with H.264
<u>VEPU580_SYNT_SLI1_H2_64</u>	0x03C0	W	0x00000000	Slice Header1 for H.264, share address with HEVC
<u>VEPU580_SYNT_SLI1_HEVC</u>	0x03C0	W	0x00000000	Slice Header1 for HEVC, share address with H.264
<u>VEPU580_SYNT_SLI2_H2_64</u>	0x03C4	W	0x00000000	Slice Header2 for H.264, share address with HEVC
<u>VEPU580_SYNT_SLI2_HEVC</u>	0x03C4	W	0x00000000	Slice Header2 for HEVC, share address with H.264
<u>VEPU580_SYNT_REFM0_H264</u>	0x03C8	W	0x00000000	Reference Frame Mark0 for H.264, share address with HEVC
<u>VEPU580_SYNT_REFM0_HEVC</u>	0x03C8	W	0x00000000	Reference Frame Mark0 for HEVC, share address with H.264
<u>VEPU580_SYNT_REFM1_H264</u>	0x03CC	W	0x00000000	Reference Frame Mark1 for H.264, share address with HEVC
<u>VEPU580_SYNT_REFM1_HEVC</u>	0x03CC	W	0x00000000	Reference Frame Mark1 for HEVC, share address with H.264
<u>VEPU580_SYNT_REFM2_HEVC</u>	0x03D0	W	0x00000000	Reference Frame Mark2 for HEVC
<u>VEPU580_SYNT_REFM2_H264</u>	0x03D0	W	0x00000000	Reference Frame Mark2 for H264
<u>VEPU580_SYNT_REFM3_HEVC</u>	0x03D4	W	0x00000000	Reference Frame Mark3 for HEVC
<u>VEPU580_SYNT_LONG_REFM0</u>	0x03D8	W	0x00000000	Long term reference frame mark0 for HEVC
<u>VEPU580_SYNT_LONG_REFM1</u>	0x03DC	W	0x00000000	Long term reference frame mark1 for HEVC
<u>VEPU580_LINE_SLICE_H2_64</u>	0x03F0	W	0x00000000	Line Slice Configuration, h264 only.
<u>VEPU580_TILE_CFG_HEVC</u>	0x03F0	W	0x00000000	TILE Configuration, HEVC only.
<u>VEPU580_TILE_POS</u>	0x03F4	W	0x00000000	TILE position
<u>VEPU580_RC_ADJ0</u>	0x1000	W	0x00000000	QP adjust configuration for rate control
<u>VEPU580_RC_ADJ1</u>	0x1004	W	0x00000000	QP adjust configuration for rate control
<u>VEPU580_RC_DTHD0</u>	0x1008	W	0x00000000	Bits rate deviation threshold0
<u>VEPU580_RC_DTHD1</u>	0x100C	W	0x00000000	Bits rate deviation threshold1
<u>VEPU580_RC_DTHD2</u>	0x1010	W	0x00000000	Bits rate deviation threshold2
<u>VEPU580_RC_DTHD3</u>	0x1014	W	0x00000000	Bits rate deviation threshold3

<b>Name</b>	<b>Offset</b>	<b>Size</b>	<b>Reset Value</b>	<b>Description</b>
<u>VEPU580_RC_DTHD4</u>	0x1018	W	0x00000000	Bits rate deviation threshold4
<u>VEPU580_RC_DTHD5</u>	0x101C	W	0x00000000	Bits rate deviation threshold5
<u>VEPU580_RC_DTHD6</u>	0x1020	W	0x00000000	Bits rate deviation threshold6
<u>VEPU580_RC_DTHD7</u>	0x1024	W	0x00000000	Bits rate deviation threshold7
<u>VEPU580_RC_DTHD8</u>	0x1028	W	0x00000000	Bits rate deviation threshold8
<u>VEPU580_ROI_QTHD0</u>	0x1030	W	0x00000000	ROI QP threshold configuration0
<u>VEPU580_ROI_QTHD1</u>	0x1034	W	0x00000000	ROI QP threshold configuration1
<u>VEPU580_ROI_QTHD2</u>	0x1038	W	0x00000000	ROI QP threshold configuration2
<u>VEPU580_ROI_QTHD3</u>	0x103C	W	0x00000000	ROI QP threshold configuration3
<u>VEPU580_MADI_CFG</u>	0x1040	W	0x00000000	MADI configuration.
<u>VEPU580_AQ_TTHD0</u>	0x1044	W	0x00000000	Texture threshold configuration0 for adaptive QP adjustment.
<u>VEPU580_AQ_TTHD1</u>	0x1048	W	0x00000000	Texture threshold configuration1 for adaptive QP adjustment.
<u>VEPU580_AQ_TTHD2</u>	0x104C	W	0x00000000	Texture threshold configuration2 for adaptive QP adjustment.
<u>VEPU580_AQ_TTHD3</u>	0x1050	W	0x00000000	Texture threshold configuration3 for adaptive QP adjustment.
<u>VEPU580_AQ_STP0</u>	0x1054	W	0x00000000	Adjustment step configuration0 for adaptive QP adjustment.
<u>VEPU580_AQ_STP1</u>	0x1058	W	0x00000000	Adjustment step configuration1 for adaptive QP adjustment.
<u>VEPU580_AQ_STP2</u>	0x105C	W	0x00000000	Adjustment step configuration2 for adaptive QP adjustment.
<u>VEPU580_AQ_STP3</u>	0x1060	W	0x00000000	Adjustment step configuration3 for adaptive QP adjustment.
<u>VEPU580_MD_SAD_THD</u>	0x1070	W	0x00000000	SAD thresholds of motion detection.
<u>VEPU580_MADI_THD</u>	0x1074	W	0x00000000	Spatial complexity(MADI) thresholds.
<u>VEPU580_KLUT_OFST</u>	0x1080	W	0x00000000	Offset of (RDO) chroma cost weight table
<u>VEPU580_KLUT_WGT0</u>	0x1084	W	0x00000000	(RDO) Chroma weight table configure register0
<u>VEPU580_KLUT_WGT1</u>	0x1088	W	0x00000000	(RDO) Chroma weight table configure register1
<u>VEPU580_KLUT_WGT2</u>	0x108C	W	0x00000000	(RDO) Chroma weight table configure register2
<u>VEPU580_KLUT_WGT3</u>	0x1090	W	0x00000000	(RDO) Chroma weight table configure register3
<u>VEPU580_KLUT_WGT4</u>	0x1094	W	0x00000000	(RDO) Chroma weight table configure register4



<b>Name</b>	<b>Offset</b>	<b>Size</b>	<b>Reset Value</b>	<b>Description</b>
<u>VEPU580_KLUT_WGT5</u>	0x1098	W	0x00000000	(RDO) Chroma weight table configure register5
<u>VEPU580_KLUT_WGT6</u>	0x109C	W	0x00000000	(RDO) Chroma weight table configure register6
<u>VEPU580_KLUT_WGT7</u>	0x10A0	W	0x00000000	(RDO) Chroma weight table configure register7
<u>VEPU580_KLUT_WGT8</u>	0x10A4	W	0x00000000	(RDO) Chroma weight table configure register8
<u>VEPU580_KLUT_WGT9</u>	0x10A8	W	0x00000000	(RDO) Chroma weight table configure register9
<u>VEPU580_KLUT_WGT10</u>	0x10AC	W	0x00000000	(RDO) Chroma weight table configure register10
<u>VEPU580_KLUT_WGT11</u>	0x10B0	W	0x00000000	(RDO) Chroma weight table configure register11
<u>VEPU580_KLUT_WGT12</u>	0x10B4	W	0x00000000	(RDO) Chroma weight table configure register12
<u>VEPU580_KLUT_WGT13</u>	0x10B8	W	0x00000000	(RDO) Chroma weight table configure register13
<u>VEPU580_KLUT_WGT14</u>	0x10BC	W	0x00000000	(RDO) Chroma weight table configure register14
<u>VEPU580_KLUT_WGT15</u>	0x10C0	W	0x00000000	(RDO) Chroma weight table configure register15
<u>VEPU580_KLUT_WGT16</u>	0x10C4	W	0x00000000	(RDO) Chroma weight table configure register16
<u>VEPU580_KLUT_WGT17</u>	0x10C8	W	0x00000000	(RDO) Chroma weight table configure register17
<u>VEPU580_KLUT_WGT18</u>	0x10CC	W	0x00000000	(RDO) Chroma weight table configure register18
<u>VEPU580_KLUT_WGT19</u>	0x10D0	W	0x00000000	(RDO) Chroma weight table configure register19
<u>VEPU580_KLUT_WGT20</u>	0x10D4	W	0x00000000	(RDO) Chroma weight table configure register20
<u>VEPU580_KLUT_WGT21</u>	0x10D8	W	0x00000000	(RDO) Chroma weight table configure register21
<u>VEPU580_KLUT_WGT22</u>	0x10DC	W	0x00000000	(RDO) Chroma weight table configure register22
<u>VEPU580_KLUT_WGT23</u>	0x10E0	W	0x00000000	(RDO) Chroma weight table configure register23
<u>VEPU580_QNT_BIAS_CO MB</u>	0x1730	W	0x00000000	Quantization Bias for H.264 and HEVC.
<u>VEPU580_RDO_WGTA_QP 15_COMB</u>	0x193C	W	0x00000000	Weight of group A for HEVC and H.264 RDO mode decision when QP is 15.

<b>Name</b>	<b>Offset</b>	<b>Size</b>	<b>Reset Value</b>	<b>Description</b>
<u>VEPU580_OSD_INV_EN</u>	0x3000	W	0x00000000	OSD color inverse configuration
<u>VEPU580_OSD_INV_THD</u>	0x3004	W	0x00000000	OSD color inverse threshold
<u>VEPU580_OSD_CFG</u>	0x3008	W	0x00000000	OSD configuration
<u>VEPU580_OSD0_LT_POS</u>	0x3010	W	0x00000000	OSD region0 left-top position
<u>VEPU580_OSD0_RB_POS</u>	0x3014	W	0x00000000	OSD region0 right-bottom position
<u>VEPU580_OSD1_LT_POS</u>	0x3018	W	0x00000000	OSD region1 left-top position
<u>VEPU580_OSD1_RB_POS</u>	0x301C	W	0x00000000	OSD region1 right-bottom position
<u>VEPU580_OSD2_LT_POS</u>	0x3020	W	0x00000000	OSD region2 left-top position
<u>VEPU580_OSD2_RB_POS</u>	0x3024	W	0x00000000	OSD region2 right-bottom position
<u>VEPU580_OSD3_LT_POS</u>	0x3028	W	0x00000000	OSD region3 left-top position
<u>VEPU580_OSD3_RB_POS</u>	0x302C	W	0x00000000	OSD region3 right-bottom position
<u>VEPU580_OSD4_LT_POS</u>	0x3030	W	0x00000000	OSD region4 left-top position
<u>VEPU580_OSD4_RB_POS</u>	0x3034	W	0x00000000	OSD region4 right-bottom position
<u>VEPU580_OSD5_LT_POS</u>	0x3038	W	0x00000000	OSD region5 left-top position
<u>VEPU580_OSD5_RB_POS</u>	0x303C	W	0x00000000	OSD region5 right-bottom position
<u>VEPU580_OSD6_LT_POS</u>	0x3040	W	0x00000000	OSD region6 left-top position
<u>VEPU580_OSD6_RB_POS</u>	0x3044	W	0x00000000	OSD region6 right-bottom position
<u>VEPU580_OSD7_LT_POS</u>	0x3048	W	0x00000000	OSD region7 left-top position
<u>VEPU580_OSD7_RB_POS</u>	0x304C	W	0x00000000	OSD region7 right-bottom position
<u>VEPU580_ADR_OSD0</u>	0x3050	W	0x00000000	Base address of OSD region0
<u>VEPU580_ADR_OSD1</u>	0x3054	W	0x00000000	Base address for OSD region1, 16B aligned
<u>VEPU580_ADR_OSD2</u>	0x3058	W	0x00000000	Base address for OSD region2, 16B aligned
<u>VEPU580_ADR_OSD3</u>	0x305C	W	0x00000000	Base address for OSD region3, 16B aligned
<u>VEPU580_ADR_OSD4</u>	0x3060	W	0x00000000	Base address for OSD region4, 16B aligned
<u>VEPU580_ADR_OSD5</u>	0x3064	W	0x00000000	Base address for OSD region5, 16B aligned
<u>VEPU580_ADR_OSD6</u>	0x3068	W	0x00000000	Base address for OSD region6, 16B aligned
<u>VEPU580_ADR_OSD7</u>	0x306C	W	0x00000000	Base address for OSD region7, 16B aligned
<u>VEPU580_OSD_PLT0</u>	0x3080	W	0x00000000	User defined OSD palette color0
<u>VEPU580_OSD_PLT1</u>	0x3084	W	0x00000000	User defined OSD palette color1
<u>VEPU580_OSD_PLT255</u>	0x347C	W	0x00000000	OSD palette color255
<u>VEPU580_ST_BSL_L32</u>	0x4000	W	0x00000000	Low 32bits of bit stream length for current frame.
<u>VEPU580_ST_SSE_BSL</u>	0x4004	W	0x00000000	High 8 bits of bit stream length for current frame and low 16 bits of encoding distortion (SSE).

<b>Name</b>	<b>Offset</b>	<b>Size</b>	<b>Reset Value</b>	<b>Description</b>
<u>VEPU580_ST_SSE_H32</u>	0x4008	W	0x00000000	High 32 bits of encoding distortion (SSE).
<u>VEPU580_ST_SSE_QP</u>	0x400C	W	0x00000000	Sum of QP for the encoded frame.
<u>VEPU580_ST_SAO</u>	0x4010	W	0x00000000	Number of CTUs which adjusted by SAO
<u>VEPU580_ST_HEAD_BL_L32</u>	0x4014	W	0x00000000	Low 32 bits of RDO HeaderBits length.
<u>VEPU580_ST_HEAD_RES_BL</u>	0x4018	W	0x00000000	High 8 bits of RDO HeaderBits length and low 16 bits of RDO ResidualBits length.
<u>VEPU580_ST_RES_BL_H24</u>	0x401C	W	0x00000000	High 24 bits of RDO ResidualBits length.
<u>VEPU580_ST_ENC</u>	0x4020	W	0x00000000	VEPU working status
<u>VEPU580_ST_LKT</u>	0x4024	W	0x00000000	Status of link table mode encoding
<u>VEPU580_ST_NADR</u>	0x4028	W	0x00000000	Address of the processing link table node
<u>VEPU580_ST_BSB</u>	0x402C	W	0x00000000	Status of bit stream buffer
<u>VEPU580_ST_BUS</u>	0x4030	W	0x00000000	VEPU bus status
<u>VEPU580_ST_SNUM</u>	0x4034	W	0x00000000	Slice number status.
<u>VEPU580_ST_SLEN</u>	0x4038	W	0x00000000	Status of slice length
<u>VEPU580_ST_PNUM_P64</u>	0x4100	W	0x00000000	Number of 64x64 inter predicted blocks
<u>VEPU580_ST_PNUM_P32</u>	0x4104	W	0x00000000	Number of 32x32 inter predicted blocks
<u>VEPU580_ST_PNUM_P16</u>	0x4108	W	0x00000000	Number of 16x16 inter predicted blocks
<u>VEPU580_ST_PNUM_P8</u>	0x410C	W	0x00000000	Number of 8x8 inter predicted blocks
<u>VEPU580_ST_PNUM_I32</u>	0x4110	W	0x00000000	Number of 32x32 intra predicted blocks
<u>VEPU580_ST_PNUM_I16</u>	0x4114	W	0x00000000	Number of 16x16 intra predicted blocks
<u>VEPU580_ST_PNUM_I8</u>	0x4118	W	0x00000000	Number of 8x8 intra predicted blocks
<u>VEPU580_ST_PNUM_I4</u>	0x411C	W	0x00000000	Number of 4x4 intra predicted blocks
<u>VEPU580_ST_CPLX_TMP</u>	0x4120	W	0x00000000	Temporal complexity(MADP) for current encoding and reference frame

<b>Name</b>	<b>Offset</b>	<b>Size</b>	<b>Reset Value</b>	<b>Description</b>
<u>VEPU580_ST_BNUM_CME</u>	0x4124	W	0x00000000	Number of CME blocks in frame. H.264: number CME blocks (4 MBs) in 16x64 aligned extended frame, except for the CME blocks configured as force intra. HEVC: number CME blocks (CTU) in 64x64 aligned extended frame, except for the CME blocks configured as force intra.
<u>VEPU580_ST_CPLX_SPT</u>	0x4128	W	0x00000000	Spatial complexity(MADI) for current encoding frame
<u>VEPU580_ST_BNUM_B16</u>	0x412C	W	0x00000000	Number of 16x16 blocks in frame. H.264: number of macro-blocks in encoding frame. HEVC: number of 16x16 blocks in 16x16 aligned extended frame.
<u>VEPU580_ST_CPLX_MAX_B16</u>	0x4130	W	0x00000000	Number of 16x16 blocks which the value is bigger than sw_aq_thd15. H.264: number of macro-blocks in encoding frame. HEVC: number of 16x16 blocks in 16x16 aligned extended frame.
<u>VEPU580_ST_MD_SAD_NUM0</u>	0x4134	W	0x00000000	Number of 16x16 blocks with cime_ordinal_sad < md_sad_thd0.
<u>VEPU580_ST_MD_SAD_NUM1</u>	0x4138	W	0x00000000	Number of 16x16 blocks with md_sad_thd0 <= cime_ordinal_sad < md_sad_thd1.
<u>VEPU580_ST_MD_SAD_NUM2</u>	0x413C	W	0x00000000	Number of 16x16 blocks with md_sad_thd1 <= cime_ordinal_sad < md_sad_thd2.
<u>VEPU580_ST_MD_SAD_NUM3</u>	0x4140	W	0x00000000	Number of 16x16 blocks with md_sad_thd2 <= cime_ordinal_sad.
<u>VEPU580_ST_MADI_NUM0</u>	0x4144	W	0x00000000	Number of 16x16 blocks with madi < madi_thd0.
<u>VEPU580_ST_MADI_NUM1</u>	0x4148	W	0x00000000	Number of 16x16 blocks with madi_thd0 <= madi < madi_thd1.
<u>VEPU580_ST_MADI_NUM2</u>	0x414C	W	0x00000000	Number of 16x16 blocks with madi_thd1 <= madi < madi_thd2.

<b>Name</b>	<b>Offset</b>	<b>Size</b>	<b>Reset Value</b>	<b>Description</b>
<u>VEPU580_ST_MADI_NUM_3</u>	0x4150	W	0x00000000	Number of 16x16 blocks with madi_thd2 <= madi.
<u>VEPU580_ST_B8_QP0</u>	0x4200	W	0x00000000	Number of block8x8s with QP=0
<u>VEPU580_ST_B8_QP1</u>	0x4204	W	0x00000000	Number of block8x8s with QP=1
<u>VEPU580_ST_B8_QP2</u>	0x4208	W	0x00000000	Number of block8x8s with QP=2
<u>VEPU580_ST_B8_QP3</u>	0x420C	W	0x00000000	Number of block8x8s with QP=3
<u>VEPU580_ST_B8_QP4</u>	0x4210	W	0x00000000	Number of block8x8s with QP=4
<u>VEPU580_ST_B8_QP5</u>	0x4214	W	0x00000000	Number of block8x8s with QP=5
<u>VEPU580_ST_B8_QP6</u>	0x4218	W	0x00000000	Number of block8x8s with QP=6
<u>VEPU580_ST_B8_QP7</u>	0x421C	W	0x00000000	Number of block8x8s with QP=7
<u>VEPU580_ST_B8_QP8</u>	0x4220	W	0x00000000	Number of block8x8s with QP=8
<u>VEPU580_ST_B8_QP9</u>	0x4224	W	0x00000000	Number of block8x8s with QP=9
<u>VEPU580_ST_B8_QP10</u>	0x4228	W	0x00000000	Number of block8x8s with QP=10
<u>VEPU580_ST_B8_QP11</u>	0x422C	W	0x00000000	Number of block8x8s with QP=11
<u>VEPU580_ST_B8_QP12</u>	0x4230	W	0x00000000	Number of block8x8s with QP=12
<u>VEPU580_ST_B8_QP13</u>	0x4234	W	0x00000000	Number of block8x8s with QP=13
<u>VEPU580_ST_B8_QP14</u>	0x4238	W	0x00000000	Number of block8x8s with QP=14
<u>VEPU580_ST_B8_QP15</u>	0x423C	W	0x00000000	Number of block8x8s with QP=15
<u>VEPU580_ST_B8_QP16</u>	0x4240	W	0x00000000	Number of block8x8s with QP=16
<u>VEPU580_ST_B8_QP17</u>	0x4244	W	0x00000000	Number of block8x8s with QP=17
<u>VEPU580_ST_B8_QP18</u>	0x4248	W	0x00000000	Number of block8x8s with QP=18
<u>VEPU580_ST_B8_QP19</u>	0x424C	W	0x00000000	Number of block8x8s with QP=19
<u>VEPU580_ST_B8_QP20</u>	0x4250	W	0x00000000	Number of block8x8s with QP=20
<u>VEPU580_ST_B8_QP21</u>	0x4254	W	0x00000000	Number of block8x8s with QP=21
<u>VEPU580_ST_B8_QP22</u>	0x4258	W	0x00000000	Number of block8x8s with QP=22
<u>VEPU580_ST_B8_QP23</u>	0x425C	W	0x00000000	Number of block8x8s with QP=23
<u>VEPU580_ST_B8_QP24</u>	0x4260	W	0x00000000	Number of block8x8s with QP=24
<u>VEPU580_ST_B8_QP25</u>	0x4264	W	0x00000000	Number of block8x8s with QP=25
<u>VEPU580_ST_B8_QP26</u>	0x4268	W	0x00000000	Number of block8x8s with QP=26
<u>VEPU580_ST_B8_QP27</u>	0x426C	W	0x00000000	Number of block8x8s with QP=27
<u>VEPU580_ST_B8_QP28</u>	0x4270	W	0x00000000	Number of block8x8s with QP=28
<u>VEPU580_ST_B8_QP29</u>	0x4274	W	0x00000000	Number of block8x8s with QP=29
<u>VEPU580_ST_B8_QP30</u>	0x4278	W	0x00000000	Number of block8x8s with QP=30
<u>VEPU580_ST_B8_QP31</u>	0x427C	W	0x00000000	Number of block8x8s with QP=31
<u>VEPU580_ST_B8_QP32</u>	0x4280	W	0x00000000	Number of block8x8s with QP=32
<u>VEPU580_ST_B8_QP33</u>	0x4284	W	0x00000000	Number of block8x8s with QP=33
<u>VEPU580_ST_B8_QP34</u>	0x4288	W	0x00000000	Number of block8x8s with QP=34
<u>VEPU580_ST_B8_QP35</u>	0x428C	W	0x00000000	Number of block8x8s with QP=35
<u>VEPU580_ST_B8_QP36</u>	0x4290	W	0x00000000	Number of block8x8s with QP=36
<u>VEPU580_ST_B8_QP37</u>	0x4294	W	0x00000000	Number of block8x8s with QP=37
<u>VEPU580_ST_B8_QP38</u>	0x4298	W	0x00000000	Number of block8x8s with QP=38
<u>VEPU580_ST_B8_QP39</u>	0x429C	W	0x00000000	Number of block8x8s with QP=39

Name	Offset	Size	Reset Value	Description
<u>VEPU580 ST B8 QP40</u>	0x42A0	W	0x00000000	Number of block8x8s with QP=40
<u>VEPU580 ST B8 QP41</u>	0x42A4	W	0x00000000	Number of block8x8s with QP=41
<u>VEPU580 ST B8 QP42</u>	0x42A8	W	0x00000000	Number of block8x8s with QP=42
<u>VEPU580 ST B8 QP43</u>	0x42AC	W	0x00000000	Number of block8x8s with QP=43
<u>VEPU580 ST B8 QP44</u>	0x42B0	W	0x00000000	Number of block8x8s with QP=44
<u>VEPU580 ST B8 QP45</u>	0x42B4	W	0x00000000	Number of block8x8s with QP=45
<u>VEPU580 ST B8 QP46</u>	0x42B8	W	0x00000000	Number of block8x8s with QP=46
<u>VEPU580 ST B8 QP47</u>	0x42BC	W	0x00000000	Number of block8x8s with QP=47
<u>VEPU580 ST B8 QP48</u>	0x42C0	W	0x00000000	Number of block8x8s with QP=48
<u>VEPU580 ST B8 QP49</u>	0x42C4	W	0x00000000	Number of block8x8s with QP=49
<u>VEPU580 ST B8 QP50</u>	0x42C8	W	0x00000000	Number of block8x8s with QP=50
<u>VEPU580 ST B8 QP51</u>	0x42CC	W	0x00000000	Number of block8x8s with QP=51
<u>VEPU580 ST SLI NUM</u>	0x5028	W	0x00000000	Number of slices
<u>VEPU580 ST LKT ERR</u>	0x502C	W	0x00000000	Link Table error status
<u>VEPU580 MMU0 ADDR</u>	0xF000	W	0x00000000	Page table address for AXI0 MMU
<u>VEPU580 MMU0 ST</u>	0xF004	W	0x00000000	Status of the MMU for AXI0
<u>VEPU580 MMU0 CMD</u>	0xF008	W	0x00000000	MMU command for AXI0
<u>VEPU580 MMU0 PFA</u>	0xF00C	W	0x00000000	Address of the last page fault for MMU0
<u>VEPU580 MMU0 ZAP</u>	0xF010	W	0x00000000	Zap address for MMU0
<u>VEPU580 MMU0 ERR</u>	0xF014	W	0x00000000	MMU error
<u>VEPU580 MMU0 INT CLR</u>	0xF018	W	0x00000000	Interrupt clear for MMU0
<u>VEPU580 MMU0 INT MS K</u>	0xF01C	W	0x00000000	Interrupt mask for MMU0
<u>VEPU580 MMU0 INT STA</u>	0xF020	W	0x00000000	Interrupt status for MMU0
<u>VEPU580 MMU0 ACKG</u>	0xF024	W	0x00000001	Auto clock gating for MMU0
<u>VEPU580 MMU1 ADDR</u>	0xF040	W	0x00000000	Page table address for AXI1 MMU
<u>VEPU580 MMU1 ST</u>	0xF044	W	0x00000000	Status of the MMU for AXI1
<u>VEPU580 MMU1 CMD</u>	0xF048	W	0x00000000	MMU command for AXI1
<u>VEPU580 MMU1 PFA</u>	0xF04C	W	0x00000000	Address of the last page fault for MMU1
<u>VEPU580 MMU1 ZAP</u>	0xF050	W	0x00000000	Zap address for MMU1
<u>VEPU580 MMU1 ERR</u>	0xF054	W	0x00000000	MMU error
<u>VEPU580 MMU1 INT CLR</u>	0xF058	W	0x00000000	Interrupt clear for MMU1
<u>VEPU580 MMU1 INT MS K</u>	0xF05C	W	0x00000000	Interrupt mask for MMU1
<u>VEPU580 MMU1 INT STA</u>	0xF060	W	0x00000000	Interrupt status for MMU1
<u>VEPU580 MMU1 ACKG</u>	0xF064	W	0x00000001	Auto clock gating for MMU1

Notes: **B**- Byte (8 bits) access, **HW**- Half WORD (16 bits) access, **W**-WORD (32 bits) access

## 5.5.29 VEPU580 Detail Registers Description

### VEPU580 VERSION

**RK3588 TRM-Part1**

Address: Operational Base + offset (0x0000)

Bit	Attr	Reset Value	Description
31:24	RW	0x50	ip_id VEPU ID.
23	RO	0x0	reserved
22:21	RW	0x3	fbf_cap FBC capability. 2'h0: No FBC 2'h3: Support AFBC for video source and FBC for reconstructed picture Others: Reserved
20	RW	0x0	bfrm_cap B frame encoding capability. 1 means VEPU supports B frame encoding while 0 means not.
19:18	RW	0x0	filtr_cap Pre-process filter capability 2'h0: Basic pre-process filter 2'h3: No pre-process filter Others: Reserved
17:16	RW	0x0	osd_cap OSD capability. 2'h0: 8-area OSD with 256-color palette 2'h3: No OSD Others: Reserved
15:12	RW	0x0	res_cap Max resolution 4'h0: 4096x2304 4'h1: 1920x1088 4'h2: 8192x8192 4'h3: 16384x16384 Others: Reserved
11:10	RO	0x0	reserved
9	RW	0x1	hevc_cap HEVC encoding capability. 1 means VEPU supports HEVC encoding while 0 means not
8	RW	0x1	h264_cap H.264 encoding capability. 1 means VEPU supports H.264 encoding, while 0 means not.
7:0	RW	0x0b	sub_ver VEPU sub-version.

**VEPU580\_ENC\_CLR**

Address: Operational Base + offset (0x0014)

Bit	Attr	Reset Value	Description
31:2	RO	0x00000000	reserved

Bit	Attr	Reset Value	Description
1	RW	0x0	force_clr Force clear. Clear all sub-modules besides Configuration Registers and AHB Data Path.
0	RW	0x0	safe_clr Safe clear. It only clears DMA module to confirm AXI transaction integrity. 1'h0: Safe clear is not performing. 1'h1: Safe clear is performing.

**VEPU580 INT EN**

Address: Operational Base + offset (0x0020)

Bit	Attr	Reset Value	Description
31:10	RO	0x000000	reserved
9	RW	0x0	lkt_err_int_en
8	RW	0x0	wdg_en Watch dog(time out) interrupt enable.
7	RW	0x0	rbus_err_en AXI read channel error interrupt enable.
6	RW	0x0	wbus_err_en AXI write channel error interrupt enable.
5	RW	0x0	brsp_otsd_en AXI write response outstanding overflow interrupt enable.
4	RW	0x0	bsf_oflw_en Bit stream buffer overflow enable.
3	RW	0x0	slc_done_en One slice encoding finish interrupt enable.
2	RW	0x0	sclr_done_en Safe clear finish interrupt enable.
1	RW	0x0	lkt_node_done_en Link table one node finish interrupt enable.
0	RW	0x0	enc_done_en One frame encoding finish interrupt enable.

**VEPU580 INT MSK**

Address: Operational Base + offset (0x0024)

Bit	Attr	Reset Value	Description
31:10	RO	0x000000	reserved
9	RW	0x0	lkt_err_msk
8	RW	0x0	wdg_msk Watch dog(time out) interrupt mask.
7	RW	0x0	rbus_err_msk AXI read channel error interrupt mask.
6	RW	0x0	wbus_err_msk AXI write channel error interrupt mask.



Bit	Attr	Reset Value	Description
5	RW	0x0	brsp_otsd_msk AXI write response outstanding overflow interrupt mask.
4	RW	0x0	bsf_oflw_msk Bit stream buffer overflow mask.
3	RW	0x0	slc_done_msk One slice encoding finish interrupt mask.
2	RW	0x0	sclr_done_msk Safe clear finish interrupt mask.
1	RW	0x0	lkt_node_done_msk Link table one node finish interrupt mask.
0	RW	0x0	enc_done_msk One frame encoding finish interrupt mask.

**VEPU580\_INT\_CLR**

Address: Operational Base + offset (0x0028)

Bit	Attr	Reset Value	Description
31:10	RO	0x000000	reserved
9	RW	0x0	lkt_err_clr
8	RW	0x0	wdg_clr Watch dog(time out) interrupt clear.
7	RW	0x0	rbus_err_clr AXI read channel error interrupt clear.
6	RW	0x0	wbus_err_clr AXI write channel error interrupt clear.
5	RW	0x0	brsp_otsd_clr AXI write response outstanding overflow interrupt clear.
4	RW	0x0	bsf_oflw_clr Bit stream buffer overflow clear.
3	RW	0x0	slc_done_clr One slice encoding finish interrupt clear.
2	RW	0x0	sclr_done_clr Safe clear finish interrupt clear.
1	RW	0x0	lkt_node_done_clr Link table one node finish interrupt clear.
0	RW	0x0	enc_done_clr One frame encoding finish interrupt clear.

**VEPU580\_INT\_STA**

Address: Operational Base + offset (0x002C)

Bit	Attr	Reset Value	Description
31:10	RO	0x000000	reserved
9	RW	0x0	lkt_err_sta
8	RW	0x0	wdg_sta Watch dog(time out) interrupt status.

Bit	Attr	Reset Value	Description
7	RW	0x0	rbus_err_sta AXI read channel error interrupt status.
6	RW	0x0	wbus_err_sta AXI write channel error interrupt status.
5	RW	0x0	brsp_otsd_sta AXI write response outstanding overflow interrupt status.
4	RW	0x0	bsf_oflw_sta Bit stream buffer overflow status.
3	RW	0x0	slc_done_sta One slice encoding finish interrupt status.
2	RW	0x0	sclr_done_sta Safe clear finish interrupt status.
1	RW	0x0	lkt_node_done_sta Link table one node finish interrupt status.
0	RW	0x0	enc_done_sta One frame encoding finish interrupt status.

**VEPU580 DBUS ENDIAN**

Address: Operational Base + offset (0x0030)

Bit	Attr	Reset Value	Description
31:29	RW	0x0	rec_nfbc_bus_edin Data swap for reference picture channel without fbc. [2]: Swap 32 bits in 64 bits [1]: Swap 16 bits in 32 bits [0]: Swap 8 bits in 16 bits
28	RW	0x0	ebufw_bus_ordr Swap the position of 64 bits in 128 bits for external linebuffer.
27	RW	0x0	afbc_bsize AFBC video source loading burst size. 1'h0: 32 bytes 1'h1: 64 bytes
26:23	RW	0x0	lktw_bus_edin Data swap for link table write channel. [3]: Swap 64 bits in 128 bits [2]: Swap 32 bits in 64 bits [1]: Swap 16 bits in 32 bits [0]: Swap 8 bits in 16 bits
22:19	RW	0x0	roir_bus_edin Data swap for ROI configuration read channel. [3]: Swap 64 bits in 128 bits [2]: Swap 32 bits in 64 bits [1]: Swap 16 bits in 32 bits [0]: Swap 8 bits in 16 bits

Bit	Attr	Reset Value	Description
18:15	RW	0x0	lktr_bus_edin Data swap for link table read channel. [3]: Swap 64 bits in 128 bits [2]: Swap 32 bits in 64 bits [1]: Swap 16 bits in 32 bits [0]: Swap 8 bits in 16 bits
14:12	RW	0x0	bsw_bus_edin Data swap for bis stream write channel. [2]: Swap 32 bits in 64 bits [1]: Swap 16 bits in 32 bits [0]: Swap 8 bits in 16 bits
11:8	RW	0x0	meiw_bus_edin Data swap for ME information write channel. [3]: Swap 64 bits in 128 bits [2]: Swap 32 bits in 64 bits [1]: Swap 16 bits in 32 bits [0]: Swap 8 bits in 16 bits
7:4	RW	0x0	src_bus_edin Data swap for video source loading channel. [3]: Swap 64 bits in 128 bits [2]: Swap 32 bits in 64 bits [1]: Swap 16 bits in 32 bits [0]: Swap 8 bits in 16 bits
3	RW	0x0	rfpw_bus_ordr Swap the position of 64 bits in 128 bits for reference picture.
2	RW	0x0	dspw_bus_ordr Swap the position of 64 bits in 128 bits for down-sampled picture.
1	RW	0x0	cmvw_bus_ordr Swap the position of 64 bits in 128 bits for co-located Mv(HEVC only).
0	RW	0x0	lpfw_bus_ordr Swap the position of 64 bits in 128 bits for loop-filter write-back data between tiles(HEVC only).

**VEPU580 DBUS CFG**

Address: Operational Base + offset (0x0034)

Bit	Attr	Reset Value	Description
31:24	RO	0x00	reserved

Bit	Attr	Reset Value	Description
23:16	RW	0x00	axi_brsp_cke AXI write response channel check enable. [7]: Lpf write response check enable. [6]: Reconstructed picture write response check enable. [5]: ME information write response check enable. [4]: CTU information write response check enable. [3]: Down-sampled picture write response check enable. [2]: Bit stream write response check enable. [1]: Link table mode write reponse check enable. [0]: External line buffer write response check enable.
15:8	RO	0x00	reserved
7	RW	0x0	dspr_otsd Down sampled reference picture read outstanding enable. 1'h0: No outstanding 1'h1: Outstanding read, which improves data transaction efficiency, but core clock frequency should not lower than bus clock frequency.
6:0	RO	0x00	reserved

**VEPU580\_ENC\_WDG**

Address: Operational Base + offset (0x0038)

Bit	Attr	Reset Value	Description
31:24	RW	0x00	rfp_load_thd Reference picture loading timeout threshold. 8'h0: No time limit 8'hx: x*256 core clock cycles
23:0	RW	0x000000	vs_load_thd Video source loading timeout threshold. 24'h0: No time limit 24'hx: x*1024 core clock cycles

**VEPU580\_CORE\_ID**

Address: Operational Base + offset (0x005C)

Bit	Attr	Reset Value	Description
31:2	RO	0x00000000	reserved
1:0	RW	0x0	core_id ID idx of current encoder id for linktable mode. 2'b01: core0; 2'b10: core1;

**VEPU580\_LKT\_BASE\_ADDR**

Address: Operational Base + offset (0x0070)

Bit	Attr	Reset Value	Description
31:4	RW	0x0000000	lkt_addr High 28 bits of the address for the first node in link table.

Bit	Attr	Reset Value	Description
3:0	RO	0x0	reserved

**VEPU580 NODE ID**

Address: Operational Base + offset (0x0100)

Bit	Attr	Reset Value	Description
31:3	RO	0x00000000	reserved
2	RW	0x0	node_int Node interrupt enable (only for link table node configuration).
1:0	RW	0x0	node_core_id Core id idx of current linktable node.

**VEPU580 NODE ADR FCFG**

Address: Operational Base + offset (0x0104)

Bit	Attr	Reset Value	Description
31:4	RW	0x00000000	lkt_addr_pcfg High 28 bits of the address of picture configuration for the current frame.
3:1	RO	0x0	reserved
0	RW	0x0	pcfg_rd_en Picture configuration read enable of current frame.

**VEPU580 NODE ADR RC**

Address: Operational Base + offset (0x0108)

Bit	Attr	Reset Value	Description
31:4	RW	0x00000000	lkt_addr_rc_cfg High 28 bits of the address of parameter configuration for the current frame.
3:1	RO	0x0	reserved
0	RW	0x0	rc_cfg_rd_en Parameter configuration read enable of current frame.

**VEPU580 NODE ADR PAR**

Address: Operational Base + offset (0x010C)

Bit	Attr	Reset Value	Description
31:4	RW	0x00000000	lkt_addr_par_cfg High 28 bits of the address of parameter configuration for the current frame.
3:1	RO	0x0	reserved
0	RW	0x0	par_cfg_rd_en Parameter configuration read enable of current frame.

**VEPU580 NODE ADR SA**

Address: Operational Base + offset (0x0110)

Bit	Attr	Reset Value	Description
31:4	RW	0x0000000	lkt_addr_sqi_cfg High 28 bits of the address of AFM configuration for the current frame.
3:1	RO	0x0	reserved
0	RW	0x0	sqi_cfg_rd_en AFM configuration read enable of current frame.

**VEPU580 NODE ADR SCAL**

Address: Operational Base + offset (0x0114)

Bit	Attr	Reset Value	Description
31:4	RW	0x0000000	lkt_addr_scal_cfg High 28 bits of the address of scalist configuration for the current frame.
3:1	RO	0x0	reserved
0	RW	0x0	scal_cfg_rd_en Scalist configuration read enable of current frame.

**VEPU580 NODE ADR OSD**

Address: Operational Base + offset (0x0118)

Bit	Attr	Reset Value	Description
31:4	RW	0x0000000	lkt_addr_pp_cfg High 28 bits of the address of pre-process configuration for the current frame.
3:1	RO	0x0	reserved
0	RW	0x0	pp_cfg_rd_en Pre-process configuration read enable of current frame.

**VEPU580 NODE ADR INF**

Address: Operational Base + offset (0x011C)

Bit	Attr	Reset Value	Description
31:4	RW	0x0000000	lkt_addr_st High 28 bits of the address of output state for the current frame.
3:1	RO	0x0	reserved
0	RW	0x0	st_out_en Output state write-back enable of current frame.

**VEPU580 NODE ADR NXT**

Address: Operational Base + offset (0x0120)

Bit	Attr	Reset Value	Description
31:4	RW	0x0000000	lkt_addr_nxt High 28 bits of the address of next node.
3:1	RO	0x0	reserved
0	RW	0x0	nxt_node_vld Lkt_addr_nxt is a valid address.

**VEPU580\_ADR\_SRC0**

Address: Operational Base + offset (0x0280)

Bit	Attr	Reset Value	Description
31:0	RW	0x00000000	<p>adr_src0</p> <p>Base address of the 1st storage area for video source, based on byte.</p> <p>ARGB8888, BGR888, RGB565, YUYV422 and UYUV422 have only one storage area, while adr_src0 is configured as the base address of video source frame buffer.</p> <p>YUV422/420 semi-planar have 2 storage area, while adr_src0 is configured as the base address of Y frame buffer.</p> <p>YUV422/420 planar have 3 storage area, while adr_src0 is configured as the base address of Y frame buffer.</p> <p>Note that if the video source is compressed by AFBC, adr_src0 is configured as the base address of header buffer, and it is 16-byte aligned.</p>

**VEPU580\_ADR\_SRC1**

Address: Operational Base + offset (0x0284)

Bit	Attr	Reset Value	Description
31:0	RW	0x00000000	<p>adr_src1</p> <p>Base address of the 2nd storage area for video source.</p> <p>ARGB8888, BGR888, RGB565, YUYV422 and UYUV422 have only one storage area, while adr_src1 is reserved.</p> <p>YUV422/420 semi-planar have 2 storage area, while adr_src1 is configured as the base address of CHROMA frame buffer.</p> <p>YUV422/420 planar have 3 storage area, while adr_src1 is configured as the base address of U frame buffer.</p> <p>Note that if the video source is compressed by AFBC, adr_src1 is configured as the base address of body buffer.</p>

**VEPU580\_ADR\_SRC2**

Address: Operational Base + offset (0x0288)

Bit	Attr	Reset Value	Description
31:0	RW	0x00000000	<p>adr_src2</p> <p>Base address of V frame buffer when video source is uncompress and color format is YUV422/420 planar.</p>

**VEPU580\_ADR\_RECW\_H**

Address: Operational Base + offset (0x028C)

Bit	Attr	Reset Value	Description
31:12	RW	0x00000	<p>rfpw_h_addr</p> <p>High 20 bits of the header_block base address for compressed reference frame write.</p>

Bit	Attr	Reset Value	Description
11:0	RO	0x000	reserved

**VEPU580 ADR RFPW B**

Address: Operational Base + offset (0x0290)

Bit	Attr	Reset Value	Description
31:12	RW	0x00000	rfpw_b_addr High 20 bits of the body_block base address for compressed reference frame write.
11:0	RO	0x000	reserved

**VEPU580 ADR RFPR H**

Address: Operational Base + offset (0x0294)

Bit	Attr	Reset Value	Description
31:12	RW	0x00000	rfpr_h_addr High 20 bits of the header_block base address for compressed reference frame read.
11:0	RO	0x000	reserved

**VEPU580 ADR RFPR B**

Address: Operational Base + offset (0x0298)

Bit	Attr	Reset Value	Description
31:12	RW	0x00000	rfpr_b_addr High 20 bits of the body_block base address for compressed reference frame read.
11:0	RO	0x000	reserved

**VEPU580 ADR CMVW**

Address: Operational Base + offset (0x029C)

Bit	Attr	Reset Value	Description
31:10	RW	0x000000	cmvw_addr High 22 bits of base address for col-located Mv write, HEVC only.
9:0	RO	0x000	reserved

**VEPU580 ADR CMVR**

Address: Operational Base + offset (0x02A0)

Bit	Attr	Reset Value	Description
31:10	RW	0x000000	cmvr_addr High 22 bits of base address for col-located Mv read, HEVC only.
9:0	RO	0x000	reserved

**VEPU580 ADR DSPW**

Address: Operational Base + offset (0x02A4)



Bit	Attr	Reset Value	Description
31:10	RW	0x000000	dspw_addr High 22 bits of base address for down-sampled reference frame write.
9:0	RO	0x000	reserved

**VEPU580\_ADR\_DSPR**

Address: Operational Base + offset (0x02A8)

Bit	Attr	Reset Value	Description
31:10	RW	0x000000	dspr_addr High 22 bits of base address for down-sampled reference frame read.
9:0	RO	0x000	reserved

**VEPU580\_ADR\_MEIW**

Address: Operational Base + offset (0x02AC)

Bit	Attr	Reset Value	Description
31:10	RW	0x000000	meiw_addr High 22 bits of base address for ME information write.
9:0	RO	0x000	reserved

**VEPU580\_ADR\_BSBT**

Address: Operational Base + offset (0x02B0)

Bit	Attr	Reset Value	Description
31:7	RW	0x0000000	bsbt_addr High 25 bits of the top address of bit stream buffer.
6:0	RO	0x00	reserved

**VEPU580\_ADR\_BSBB**

Address: Operational Base + offset (0x02B4)

Bit	Attr	Reset Value	Description
31:7	RW	0x0000000	bsbb_addr High 25 bits of the bottom address of bit stream buffer.
6:0	RO	0x00	reserved

**VEPU580\_ADR\_BSBR**

Address: Operational Base + offset (0x02B8)

Bit	Attr	Reset Value	Description
31:7	RW	0x0000000	bsbr_addr Read address of bit stream buffer, 128B aligned. VEPU will pause when write address meets read address and then send an interrupt. SW should move some data out from bit stream buffer and change this register accordingly. After that VEPU will continue processing automatically.
6:0	RO	0x00	reserved

**VEPU580 ADR BSBS**

Address: Operational Base + offset (0x02BC)

Bit	Attr	Reset Value	Description
31:0	RW	0x00000000	adr_bsbs Start address of bit stream buffer. VEPU begins to write bit stream from this address and increase address automatically. Note that the VEPU's real-time write address is marked in BSB_STUS.

**VEPU580 ADR TILEW**

Address: Operational Base + offset (0x02C0)

Bit	Attr	Reset Value	Description
31:10	RW	0x000000	lpfw_addr High 22 bits of base address for loop-filter write-back data between tiles, hevc only.
9:0	RO	0x000	reserved

**VEPU580 ADR TILER**

Address: Operational Base + offset (0x02C4)

Bit	Attr	Reset Value	Description
31:10	RW	0x000000	lpfr_addr High 22 bits of base address for loop-filter read data between tiles, hevc only.
9:0	RO	0x000	reserved

**VEPU580 ADR ROI BASE**

Address: Operational Base + offset (0x02C8)

Bit	Attr	Reset Value	Description
31:4	RW	0x00000000	roi_addr High 28 bits of base address for ROI configuration.
3:0	RO	0x0	reserved

**VEPU580 ADR ROI QP**

Address: Operational Base + offset (0x02CC)

Bit	Attr	Reset Value	Description
31:4	RW	0x00000000	roi_qp_addr High 28 bits of base address for ROI qp configuration.
3:0	RO	0x0	reserved

**VEPU580 ADR ROI AMV**

Address: Operational Base + offset (0x02D0)

Bit	Attr	Reset Value	Description
31:4	RW	0x00000000	qoi_amv_addr High 28 bits of base address for ROI amv configuration.
3:0	RO	0x0	reserved

**VEPU580\_ADR\_ROI\_FMV**

Address: Operational Base + offset (0x02D4)

Bit	Attr	Reset Value	Description
31:4	RW	0x0000000	qoi_mv_addr High 28 bits of base address for ROI mv configuration.
3:0	RO	0x0	reserved

**VEPU580\_ADR\_ELBT**

Address: Operational Base + offset (0x02D8)

Bit	Attr	Reset Value	Description
31:8	RW	0x0000000	ebuft_addr High 24 bits of the top address for external line buffer.
7:0	RO	0x00	reserved

**VEPU580\_ADR\_ELBB**

Address: Operational Base + offset (0x02DC)

Bit	Attr	Reset Value	Description
31:8	RW	0x0000000	ebufb_addr High 24 bits of the bottom address for external line buffer.
7:0	RO	0x00	reserved

**VEPU580\_CMN\_CFG**

Address: Operational Base + offset (0x0300)

Bit	Attr	Reset Value	Description
31	RW	0x0	rec_fbc_dis Recon data fbc disable.
30	RW	0x0	slen_fifo Slice length fifo enable.
29:24	RO	0x00	reserved
23:19	RW	0x00	log2_ctu_num Logarithm of bit width to express ctu number in current picture, HEVC only.
18:14	RW	0x00	num_pic_tot_cur NumPicTotalCurr for HEVC reference picture list modification.
13:8	RW	0x00	pic_qp QP value for current frame encoding.
7:5	RO	0x0	reserved
4	RW	0x0	bs_scp Output start code prefix.
3	RW	0x0	mei_stor Output ME(motion estimation) information.
2	RW	0x0	cur_frm_ref Current frame should be referenced in future.
1	RW	0x0	roi_en ROI(region of interest) encoding enable.

Bit	Attr	Reset Value	Description
0	RW	0x0	enc_stnd Video standard. 1'h0: H.264 encoding 1'h1: HEVC encoding

**VEPU580\_ENC\_RSL**

Address: Operational Base + offset (0x0310)

Bit	Attr	Reset Value	Description
31:27	RO	0x00	reserved
26:16	RW	0x000	pic_hd8_m1 Ceil(encoding picture height/8) -1
15:11	RO	0x00	reserved
10:0	RW	0x000	pic_wd8_m1 Ceil(encoding picture width/8) -1

**VEPU580\_SRC\_EXT**

Address: Operational Base + offset (0x0314)

Bit	Attr	Reset Value	Description
31:22	RO	0x000	reserved
21:16	RW	0x00	pic_hfill Filling pixels to keep (encoding) picture height is 8 pixels aligned for HEVC and 16 pixels aligned for H.264.
15:6	RO	0x000	reserved
5:0	RW	0x00	pic_wfill Filling pixels to keep (encoding) picture width is 8 pixels aligned for HEVC and 16 pixels aligned for H.264.

**VEPU580\_SRC\_FMT**

Address: Operational Base + offset (0x0318)

Bit	Attr	Reset Value	Description
31:8	RO	0x000000	reserved
7	RW	0x0	out_fmt The color format of output from preprocess. 1'h0: YUV400; 1'h1: YUV420;
6	RW	0x0	src_range Video source clip (low active). 1'h0: [16:235] for luma and [16:240] for chroma. 1'h1: [0:255] for both luma and chroma.

Bit	Attr	Reset Value	Description
5:2	RW	0x0	src_cfmt Video source color format. 4'h0: BGRA8888 4'h1: RGB888 4'h2: RGB565 4'h4: YUV422SP 4'h5: YUV422P 4'h6: YUV420SP 4'h7: YUV420P 4'h8: YUYV422 4'h9: UYVY422 4'ha: YUV400 4'hc: YUV444SP 4'hd: YUV444P Others: Reserved
1	RW	0x0	rbuv_swap Swap the position of R and B for BGRA8888, RGB888, RGB 656 format; Swap the position of U and V for YUV422-SP, YUV420-SP, YUYV422 and UYUV422 format. 1'h0: RGB or YUYV or UYVY. 1'h1: BGR or YVYU or VYUY.
0	RW	0x0	alpha_swap Swap the position of alpha and RGB for ARBG8888. 1'h0: BGRA8888 or RGBA8888. 1'h1: ABGR8888 or ARGB8888.

**VEPU580\_SRC\_UDFY**

Address: Operational Base + offset (0x031C)

Bit	Attr	Reset Value	Description
31:27	RO	0x00	reserved
26:18	RW	0x000	csc_wgt_r2y Weight of RED in RGB to Y conversion formula.
17:9	RW	0x000	csc_wgt_g2y Weight of GREEN in RGB to Y conversion formula.
8:0	RW	0x000	csc_wgt_b2y Weight of BLUE in RGB to Y conversion formula.

**VEPU580\_SRC\_UDFU**

Address: Operational Base + offset (0x0320)

Bit	Attr	Reset Value	Description
31:27	RO	0x00	reserved
26:18	RW	0x000	csc_wgt_r2u Weight of RED in RGB to U conversion formula.
17:9	RW	0x000	csc_wgt_g2u Weight of GREEN in RGB to U conversion formula.

Bit	Attr	Reset Value	Description
8:0	RW	0x000	csc_wgt_b2u Weight of BLUE in RGB to U conversion formula.

**VEPU580\_SRC\_UDFV**

Address: Operational Base + offset (0x0324)

Bit	Attr	Reset Value	Description
31:27	RO	0x00	reserved
26:18	RW	0x000	csc_wgt_r2v Weight of RED in RGB to V conversion formula.
17:9	RW	0x000	csc_wgt_g2v Weight of GREEN in RGB to V conversion formula.
8:0	RW	0x000	csc_wgt_b2v Weight of BLUE in RGB to V conversion formula.

**VEPU580\_SRC\_UDFO**

Address: Operational Base + offset (0x0328)

Bit	Attr	Reset Value	Description
31:21	RO	0x000	reserved
20:16	RW	0x00	csc_ofst_y Offset of RGB to Y conversion formula.
15:8	RW	0x00	csc_ofst_u Offset of RGB to U conversion formula.
7:0	RW	0x00	csc_ofst_v Offset of RGB to V conversion formula.

**VEPU580\_SRC\_PROC**

Address: Operational Base + offset (0x032C)

Bit	Attr	Reset Value	Description
31	RO	0x0	reserved
30	RW	0x0	afbcd_en AFBC decompress enable (for AFBC format video source).
29	RW	0x0	txa_en Video source texture analysis enable.
28:27	RW	0x0	src_rot Video source rotation mode. 2'h0: 0 degree 2'h1: Clockwise 90 degree 2'h2: Clockwise 180 degree 2'h3: Clockwise 270 degree
26	RW	0x0	src_mirr Video source mirror mode enable.
25:0	RO	0x0000000	reserved

**VEPU580\_SRC\_OFST**

Address: Operational Base + offset (0x0330)

Bit	Attr	Reset Value	Description
31:30	RO	0x0	reserved
29:16	RW	0x0000	pic_ofst_y Horizontal offset for encoding picture.
15:14	RO	0x0	reserved
13:0	RW	0x0000	pic_ofst_x Vertical offset for encoding picture.

**VEPU580\_SRC\_STRD0**

Address: Operational Base + offset (0x0334)

Bit	Attr	Reset Value	Description
31:17	RO	0x0000	reserved
16:0	RW	0x00000	src_strd0 Video source stride0, based on pixel (byte). Note that if the video format is YUYV/UYVY/RGB/ARGB, src_strd0 is the only one component stride, if the video format is YUV420P/YUV420SP/YUV422P/YUV422SP, src_strd0 is the LUMA component stride. Note that if the video source is compressed by AFBC, src_strd0 is the header stride and it is 16-byte aligned.

**VEPU580\_SRC\_STRD1**

Address: Operational Base + offset (0x0338)

Bit	Attr	Reset Value	Description
31:16	RO	0x0000	reserved
15:0	RW	0x0000	src_strd1 CHROMA stride of video source, only for YUV format. Note that U and V stride must be the same when color format is YUV planar.

**VEPU580\_RC\_CFG**

Address: Operational Base + offset (0x0350)

Bit	Attr	Reset Value	Description
31:12	RW	0x00000	rc_ctu_num RC adjustment intervals, base on CTU number.
11:3	RO	0x000	reserved
2	RW	0x0	aq_mode Mode of aq_delta calculation for CU32 and CU64. 1'b0: aq_delta of CU32/CU64 is calculated by corresponding MAD132/64; 1'b1: aq_delta of CU32/CU64 is calculated by corresponding 4/16 CU16 qp_deltas.
1	RW	0x0	aq_en Adaptive quantization enable.
0	RW	0x0	rc_en Rate control enable.

**VEPU580 RC QP**

Address: Operational Base + offset (0x0354)

Bit	Attr	Reset Value	Description
31:26	RW	0x00	rc_min_qp Min QP for rate control and AQ mode.
25:20	RW	0x00	rc_max_qp Max QP for rate control and AQ mode.
19:16	RW	0x0	rc_qp_range QP adjust range(delta_qp) in rate control. Delta_qp is constrained between -rc_qp_range to rc_qp_range.
15:0	RO	0x0000	reserved

**VEPU580 RC TGT**

Address: Operational Base + offset (0x0358)

Bit	Attr	Reset Value	Description
31:20	RO	0x000	reserved
19:0	RW	0x00000	ctu_ebit Target bit num for one 64x64 CTU(for HEVC) or one 16x16 MB(for H.264), with 1/16 precision.

**VEPU580 SLI SPLT**

Address: Operational Base + offset (0x0360)

Bit	Attr	Reset Value	Description
31	RO	0x0	reserved
30:16	RW	0x0000	sli_max_num_m1 Max slice num in one frame.
15	RW	0x0	sli_flnh Slice flush. Flush all the bit stream after each slice finished.
14:3	RO	0x000	reserved
2	RW	0x0	sli_splt_cpst Slice split compensation when slice is splited by byte. Byte distortion of current slice will be compensated in the next slice.
1	RW	0x0	sli_splt_mode Slice split mode. 1'h0: Slice splited by byte. 1'h1: Slice splited by number of MB(H.264)/CTU(HEVC).
0	RW	0x0	sli_splt Slice split enable.

**VEPU580 SLI BYTE**

Address: Operational Base + offset (0x0364)

Bit	Attr	Reset Value	Description
31:20	RO	0x000	reserved
19:0	RW	0x00000	sli_splt_byte Byte number for each slice when slice is splited by byte.



**VEPU580 SLI CNUM**

Address: Operational Base + offset (0x0368)

Bit	Attr	Reset Value	Description
31:20	RO	0x000	reserved
19:0	RW	0x00000	sli_splt_cnum_m1 Number of CTU/MB for slice split. Valid when slice is splited by CTU/MB.

**VEPU580 ME RNGE**

Address: Operational Base + offset (0x0370)

Bit	Attr	Reset Value	Description
31:16	RW	0x0000	dlt_frm_num Frame number difference value between current and reference frame, HEVC only.
15:14	RO	0x0	reserved
13:11	RW	0x0	rme_srch_v RME vertical search range, values from 4 to 5.
10:8	RW	0x0	rme_srch_h RME horizontal search range, values from 3 to 7.
7:4	RW	0x0	cme_srch_v CME vertical search range, base on 16 pixel.
3:0	RW	0x0	cme_srch_h CME horizontal search range, base on 16 pixels.

**VEPU580 ME CFG HEVC**

Address: Operational Base + offset (0x0374)

Bit	Attr	Reset Value	Description
31:28	RW	0x0	fme_dis [3]: Disable 64x64 block FME. [2]: Disable 32x32 block FME. [1]: Disable 16x16 block FME. [0]: Disable 8x8 block FME.
27	RO	0x0	reserved
26:23	RW	0x0	rme_dis [3]: Disable 64x64 block RME. [2]: Disable 32x32 block RME. [1]: Disable 16x16 block RME. [0]: Disable 8x8 block RME.
22	RO	0x0	reserved
21	RW	0x0	colmv_load Load co-located Mvs as predicated Mv candidates, HEVC only.
20	RW	0x0	colmv_stor Store col-Mv information to external memory, HEVC only.
19:18	RW	0x2	pmv_num PMV number (should be constant2).
17:16	RO	0x0	reserved

## RK3588 TRM-Part1

Bit	Attr	Reset Value	Description
15:8	RW	0x05	pmv_mdst_v Min vertical distance for PMV selection.
7:0	RW	0x05	pmv_mdst_h Min horizontal distance for PMV selection.

### **VEPU580 ME CFG H264**

Address: Operational Base + offset (0x0374)

Bit	Attr	Reset Value	Description
31	RW	0x0	lvl4_ovrd_en 1'b1: Fme lvl4 int_mv override by the corresponding lvl8 int_mv; 1'b0: No operation.
30	RO	0x0	reserved
29:27	RW	0x0	fme_dis [2]: Disable 16x16 block FME. [1]: Disable 8x8 block FME. [0]: Disable 4x4 block FME.
26:25	RO	0x0	reserved
24:22	RW	0x0	rme_dis [2]: Disable 16x16 block RME. [1]: Disable 8x8 block RME. [0]: Disable 4x4 block RME.
21	RW	0x0	colmv_load Load co-located Mvs as predicated Mv candidates, HEVC only.
20	RW	0x0	colmv_stor Store col-Mv information to external memory, HEVC only.
19:18	RW	0x2	pmv_num PMV number (should be constant2).
17:16	RW	0x1	mv_llmt Motion vector limit ( by level), H.264 only. 2'h0: Mvy is limited to [-64,63]. Others: Mvy is limited to [-128,127].
15:8	RW	0x05	pmv_mdst_v Min vertical distance for PMV selection.
7:0	RW	0x05	pmv_mdst_h Min horizontal distance for PMV selection.

### **VEPU580 ME CACH**

Address: Operational Base + offset (0x0378)

Bit	Attr	Reset Value	Description
31:27	RO	0x00	reserved
26:18	RW	0x000	cme_linebuf_w The width of CIME down-sample recon data linebuf, based on 64 pixel.

Bit	Attr	Reset Value	Description
17:16	RW	0x0	cach_l2_map L2 cach mapping, base on pixels. 2'h0: 32x512 2'h1: 16x1024 2'h2: 8x2048 2'h3: 4x4096 To get better performance, the recommended configuration is as follow: 1) When picture width <= 3072, cach_l2_map = 1; 2) When picture width > 3072, cach_l2_map = 3;
15:11	RW	0x00	cme_rama_h Height of CME RAMA district, base on 4 pixels.
10:0	RW	0x000	cme_rama_max CME's max RAM address.

**VEPU580 GMV**

Address: Operational Base + offset (0x0380)

Bit	Attr	Reset Value	Description
31:29	RO	0x0	reserved
28:16	RW	0x0000	gmv_y Y ordinate of Global Motion Vector, base on 4 pixels.
15:13	RO	0x0	reserved
12:0	RW	0x0000	gmv_x X ordinate of Global Motion Vector, base on 4 pixels.

**VEPU580 ROI EN**

Address: Operational Base + offset (0x0390)

Bit	Attr	Reset Value	Description
31:3	RO	0x00000000	reserved
2	RW	0x0	roi_fmv_en ROI Force Mv enable.
1	RW	0x0	roi_amv_en ROI Area Mv enable.
0	RW	0x0	roi_qp_en ROI QP enable.

**VEPU580 RDO CFG H264**

Address: Operational Base + offset (0x03A0)

Bit	Attr	Reset Value	Description
31:22	RO	0x000	reserved

Bit	Attr	Reset Value	Description
21:20	RW	0x0	scl_lst_sel Scale list selection. 2'h0: Flat scale list. 2'h1: Default scale list. 2'h2: User defined. 2'h3: Reserved.
19	RW	0x0	atf_intra_e Intra mode anti-flicker enable.
18:16	RO	0x0	reserved
15	RW	0x0	atr_e Anti-ring enable.
14	RO	0x0	reserved
13	RW	0x0	ccwa_e Chroma cost weight adjustment(KLUT) enable.
12:5	RW	0x00	rdo_mask [7]: Disable intra4x4. [6]: Disable intra8x8. [5]: Disable intra16x16. [4]: Disable inter8x8 with T4. [3]: Disable inter8x8 with T8. [2]: Disable inter16x16 with T4. [1]: Disable inter16x16 with T8. [0]: Disable skip mode.
4	RW	0x0	chrn_spcl Chroma special candidates enable.
3	RW	0x0	vlc_lmt CAVLC syntax limit.
2	RW	0x0	arb_sel Reserved
1	RW	0x0	inter_4x4 4x4 sub MB enable.
0	RW	0x0	rect_size Limit sub_mb_rect_size for low level.

**VEPU580 RDO CFG HEVC**

Address: Operational Base + offset (0x03A0)

Bit	Attr	Reset Value	Description
31:28	RW	0x0	satd_byps_flg Rdo cost caculation expression for intra by using sad or satd. [3]: pu32 satd bypass enable, 0--satd, 1--sad; [2]: pu16 satd bypass enable, 0--satd, 1--sad; [1]: pu8 satd bypass enable, 0--satd, 1--sad; [0]: pu4 satd bypass enable, 0--satd, 1--sad;
27:26	RO	0x0	reserved

Bit	Attr	Reset Value	Description
25:24	RW	0x0	scl_lst_sel Scale list selection. 2'h0: Flat scale list. 2'h1: Default scale list. 2'h2: User defined. 2'h3: Reserved.
23	RW	0x0	ccwa_e Chroma cost weight adjustment(KLUT) enable.
22:19	RW	0x0	cu_intra_e [3]: Intra 32x32 mode enable. [2]: Intra 16x16 mode enable. [1]: Intra 8x8 mode enable. [0]: Intra 4x4 mode enable.
18:15	RO	0x0	reserved
14:3	RW	0x000	cu_inter_e Number of CU interpolation, the value must not be bigger than sw_max_num_merge_cand+1. [11:9]: Number of cu64 interpolation. [8:6]: Number of cu32 interpolation. [5:3]: Number of cu16 interpolation. [2:0]: Number of cu8 interpolation.
2	RW	0x0	chrn_spcl 4 special chroma candidates enable.
1	RW	0x0	ltm_idx0l0 The 1st reference frame in ref-list0 is long term.
0	RW	0x0	ltm_col Co-located picture is long term reference frame.

**VEPU580 IPRD CSTS**

Address: Operational Base + offset (0x03A4)

Bit	Attr	Reset Value	Description
31:28	RO	0x0	reserved
27:16	RW	0x000	vthd_c CHROMA variance threshold to select intra prediction cost function.
15:12	RO	0x0	reserved
11:0	RW	0x000	vthd_y LUMA variance threshold to select intra prediction cost function.

**VEPU580 SYNT NAL H264**

Address: Operational Base + offset (0x03B0)

Bit	Attr	Reset Value	Description
31:7	RO	0x0000000	reserved
6:2	RW	0x00	nal_unit_type nal_unit_type

Bit	Attr	Reset Value	Description
1:0	RW	0x0	nal_ref_idc nal_ref_idc

**VEPU580 SYNT NAL HEVC**

Address: Operational Base + offset (0x03B0)

Bit	Attr	Reset Value	Description
31:6	RO	0x0000000	reserved
5:0	RW	0x00	nal_unit_type nal_unit_type

**VEPU580 SYNT SPS H264**

Address: Operational Base + offset (0x03B4)

Bit	Attr	Reset Value	Description
31:9	RO	0x0000000	reserved
8:5	RW	0x0	mpoc_lm4 log2_max_pic_order_cnt_lsb_minus4
4	RW	0x0	drct_8x8 direct_8x8_inference_flag
3:0	RW	0x0	max_fnum log2_max_frame_num_minus4

**VEPU580 SYNT SPS HEVC**

Address: Operational Base + offset (0x03B4)

Bit	Attr	Reset Value	Description
31:21	RO	0x000	reserved
20	RW	0x0	strg_intra_smth strong_intra_smoothing_enabled_flag
19:16	RW	0x0	log2_max_poc_lsb log2_max_pic_order_cnt_lsb_minus4
15	RW	0x0	tmpl_mvp_e sps_temporal_mvp_enabled_flag
14:9	RW	0x00	num_lt_ref_pic num_long_term_ref_pics_sps
8	RW	0x0	lt_ref_pic_prsnt long_term_ref_pics_present_flag
7:1	RW	0x00	num_st_ref_pic num_short_term_ref_pic_sets
0	RW	0x0	smpl_adpt_ofst_e sample_adaptive_offset_enabled_flag

**VEPU580 SYNT PPS H264**

Address: Operational Base + offset (0x03B8)

Bit	Attr	Reset Value	Description
31:25	RO	0x00	reserved

Bit	Attr	Reset Value	Description
24	RW	0x0	dbf_cp_flg deblocking_filter_control_present_flag
23	RW	0x0	wght_pred weight_pred_flag
22:18	RW	0x00	cr_ofst second_chroma_qp_index_offset
17:13	RW	0x00	cb_ofst chroma_qp_index_offset
12:7	RW	0x00	pic_init_qp pic_init_qp_minus26 + 26
6:5	RW	0x0	num_ref1_idx num_ref_idx_l1_active_minus1
4:3	RW	0x0	num_ref0_idx num_ref_idx_l0_active_minus1
2	RW	0x0	csip_flg constrained_intra_pred_flag
1	RW	0x0	trns_8x8 transform_8x8_mode_flag
0	RW	0x0	etpy_mode entropy_coding_mode_flag

**VEPU580 SYNT PPS HEVC**

Address: Operational Base + offset (0x03B8)

Bit	Attr	Reset Value	Description
31:22	RO	0x000	reserved
21	RW	0x0	lp_fltr_acrs_til loop_filter_across_tiles_enabled_flag
20:19	RW	0x0	cu_qp_dlt_depth diff_cu_qp_delta_depth
18	RW	0x0	sli_seg_hdr_extn slice_segment_header_extension_present_flag
17	RW	0x0	lst_mdfy_prsnt_flg lists_modification_present_flag
16	RW	0x0	dblk_fltr_ovrd_e deblocking_filter_override_enabled_flag
15	RW	0x0	lp_fltr_acrs_sli pps_loop_filter_across_slices_enabled_flag
14	RW	0x0	chrn_qp_ofst_prsnt pps_slice_chroma_qp_offsets_present_flag. VEPUs only supports PPS level chroma QP adjustments so this field should be configured to 0.
13	RW	0x0	cu_qp_dlt_en cu_qp_delta_enabled_flag

Bit	Attr	Reset Value	Description
12:7	RW	0x00	pic_init_qp init_qp_minus26+26
6	RW	0x0	cbc_init_prsnt_flag cabac_init_present_flag
5	RW	0x0	sgn_dat_hid_e sign_data_hiding_enabled_flag
4:2	RW	0x0	num_extr_sli_hdr num_extra_slice_header_bits
1	RW	0x0	out_flg_prsnt_flg output_flag_present_flag
0	RW	0x0	dpdnt_sli_seg_en dependent_slice_segments_enable_flag

**VEPU580 SYNT SLI0 H264**

Address: Operational Base + offset (0x03BC)

Bit	Attr	Reset Value	Description
31:16	RW	0x0000	frm_num frame_num
15:14	RO	0x0	reserved
13:12	RW	0x0	cbc_init_idc cabac_init_idc
11	RW	0x0	num_ref_ovrd num_ref_idx_active_override_flag
10	RW	0x0	drct_smvp direct_spatial_mv_pred_flag
9:2	RW	0x00	pps_id pic_parameter_set_id
1:0	RW	0x0	sli_type slice_type: 0->P, 1->B, 2->I.

**VEPU580 SYNT SLI0 HEVC**

Address: Operational Base + offset (0x03BC)

Bit	Attr	Reset Value	Description
31	RW	0x0	no_out_pri_pic no_output_of_prior_pics_flag
30:25	RW	0x00	sli_pps_id slice_pic_parameter_set_id
24	RW	0x0	dpdnt_sli_seg_flg dependent_slice_segment_flag
23:17	RW	0x00	sli_rsrv_flg slice_served_flag
16:15	RW	0x0	sli_type slice_type: 0->B, 1->P, 2->I.



Bit	Attr	Reset Value	Description
14	RW	0x0	pic_out_flg pic_output_flag
13	RW	0x0	sli_tmprl_mvp_e slice_temporal_mvp_enabled_flag
12	RW	0x0	sli_sao_luma_flg slice_sao_luma_flag
11	RW	0x0	sli_sao_chrm_flg slice_sao_chroma_flag
10	RW	0x0	num_refidx_act_ovrd num_ref_idx_active_override_flag
9:8	RW	0x0	num_refidx_l0_act num_ref_idx_l0_active_minus1
7:6	RW	0x0	num_refidx_l1_act num_ref_idx_l1_active_minus1
5	RW	0x0	ref_pic_lst_mdf_l0 ref_pic_list_modification_flag_l0
4	RO	0x0	reserved
3	RW	0x0	mrg_lft_flg sao_merge_left_flag
2	RW	0x0	mrg_up_flg sao_merge_up_flag
1	RW	0x0	mvd_l1_zero_flg mvd_l1_zero_flag
0	RW	0x0	cbc_init_flg cabac_init_flag

**VEPU580 SYNT SLI1 H264**

Address: Operational Base + offset (0x03C0)

Bit	Attr	Reset Value	Description
31:16	RW	0x0000	poc_lsb pic_order_cnt_lsb
15:0	RW	0x0000	idr_pid idr_pic_id

**VEPU580 SYNT SLI1 HEVC**

Address: Operational Base + offset (0x03C0)

Bit	Attr	Reset Value	Description
31	RO	0x0	reserved
30:27	RW	0x0	lst_entry_l0 list_entry_l0
26	RW	0x0	col_frm_l0_flg collocated_from_l0_flag
25	RW	0x0	col_ref_idx collocated_ref_idx

Bit	Attr	Reset Value	Description
24	RO	0x0	reserved
23:22	RW	0x0	max_mrg_cnd 5 - five_minus_max_num_merge_cand, values from 0 to 3
21:16	RW	0x00	sli_qp slice_qp
15:11	RW	0x00	sli_cb_qp_ofst Actually this field should be configured as pps_cb_qp_offset.
10	RW	0x0	dblkc_filtr_ovrd_flg deblocking_filter_override_flag
9	RW	0x0	sp_dblk_filtr_dis slice/pps_deblocking_filter_disabled_flag. If VEPUSYNT_PPS_HEVC.dblk_filtr_ovrd_e==1 and VEPUSYNT_SLI1_HEVC.dblk_filtr_ovrd_flg==1, this field is considered as slice_deblocking_filter_disabled_flag. Otherwise it is pps_deblocking_filter_disabled_flag.
8	RW	0x0	sli_lp_filtr_acrs_sli slice_loop_filter_across_slices_enabled_flag
7:4	RW	0x0	sp_beta_ofst_div2 slice/pps_beta_offset_div2. If VEPUSYNT_PPS_HEVC.dblk_filtr_ovrd_e==1 and VEPUSYNT_SLI1_HEVC.dblk_filtr_ovrd_flg==1, this field is considered as slice_beta_offset_div2. Otherwise it is pps_beta_offset_div2.
3:0	RW	0x0	sp_tc_ofst_div2 slice/pps_tc_offset_div2. If VEPUSYNT_PPS_HEVC.dblk_filtr_ovrd_e==1 and VEPUSYNT_SLI1_HEVC.dblk_filtr_ovrd_flg==1, this field is considered as slice_tc_offset_div2. Otherwise it is pps_tc_offset_div2.

**VEPU580 SYNT SLI2 H264**

Address: Operational Base + offset (0x03C4)

Bit	Attr	Reset Value	Description
31:16	RW	0x0000	rodr_pic_num abs_diff_pic_num_minus1/long_term_pic_num
15:13	RO	0x0	reserved
12:11	RW	0x0	dis_dblk_idc disable_deblocking_filter_idc
10:7	RW	0x0	sli_alph_ofst slice_alpha_c0_offset_div2
6:3	RW	0x0	sli_beta_ofst slice_beta_offset_div2
2	RW	0x0	ref_list0_rodr ref_pic_list_reordering_flag_l0

Bit	Attr	Reset Value	Description
1:0	RW	0x0	rodr_pic_idx reordering_of_pic_nums_idc

**VEPU580 SYNT SLI2 HEVC**

Address: Operational Base + offset (0x03C4)

Bit	Attr	Reset Value	Description
31:25	RO	0x00	reserved
24:16	RW	0x000	sli_hdr_ext_len slice_segment_header_extension_length
15:0	RW	0x0000	sli_poc_lsb slice_pic_order_cnt_lsb

**VEPU580 SYNT REFM0 H264**

Address: Operational Base + offset (0x03C8)

Bit	Attr	Reset Value	Description
31:29	RO	0x0	reserved
28:26	RW	0x0	mmco_type2 memory_management_control_operation[2]
25:23	RW	0x0	mmco_type1 memory_management_control_operation[1]
22:7	RW	0x0000	mmco_parm0 MMCO parameters which have different meanings according to different mmco_parm0 values. difference_of_pic_nums_minus1 for mmco_parm0 equals 0 or 3. long_term_pic_num for mmco_parm0 equals 2. long_term_frame_idx for mmco_parm0 equals 6. max_long_term_frame_idx_plus1 for mmco_parm0 equals 4.
6:4	RW	0x0	mmco_type0 memory_management_control_operation
3	RW	0x0	mmco4_pre A No.4 MMCO should be executed firstly if mmo4_pre is 1
2	RW	0x0	arpm_flg adaptive_ref_pic_marking_mode_flag
1	RW	0x0	ltrf_flg long_term_reference_flag
0	RW	0x0	nopp_flg no_output_of_prior_pics_flag

**VEPU580 SYNT REFM0 HEVC**

Address: Operational Base + offset (0x03C8)

Bit	Attr	Reset Value	Description
31:30	RW	0x0	num_lt_sps num_long_term_sps

Bit	Attr	Reset Value	Description
29:24	RW	0x00	st_ref_pic_idx short_term_ref_pic_set_idx
23:22	RW	0x0	num_lt_pic num_long_term_pics
21:17	RW	0x00	lt_idx_sps lt_idx_sps
16:1	RW	0x0000	poc_lsb_lt0 poc_lsb_lt[0]
0	RW	0x0	st_ref_pic_flg short_term_ref_pic_set_sps_flag

**VEPU580 SYNT REFM1 H264**

Address: Operational Base + offset (0x03CC)

Bit	Attr	Reset Value	Description
31:16	RW	0x0000	mmco_parm2 MMCO parameters which have different meanings according to different mmco_parm2 valus. difference_of_pic_nums_minus1 for mmco_parm2 equals 0 or 3. long_term_pic_num for mmco_parm2 equals 2. long_term_frame_idx for mmco_parm2 equals 6. max_long_term_frame_idx_plus1 for mmco_parm2 equals 4.
15:0	RW	0x0000	mmco_parm1 MMCO parameters which have different meanings according to different mmco_parm1 valus. difference_of_pic_nums_minus1 for mmco_parm1 equals 0 or 3. long_term_pic_num for mmco_parm1 equals 2. long_term_frame_idx for mmco_parm1 equals 6. max_long_term_frame_idx_plus1 for mmco_parm1 equals 4.

**VEPU580 SYNT REFM1 HEVC**

Address: Operational Base + offset (0x03CC)

Bit	Attr	Reset Value	Description
31	RW	0x0	used_by_lt_flg2 used_by_curr_pic_lt_flag[2]
30	RW	0x0	used_by_lt_flg1 used_by_curr_pic_lt_flag[1]
29	RW	0x0	used_by_lt_flg0 used_by_curr_pic_lt_flag[0]
28	RW	0x0	dlt_poc_msb_prsnt2 delta_poc_msb_present_flag[2]
27	RW	0x0	dlt_poc_msb_prsnt1 delta_poc_msb_present_flag[1]
26	RW	0x0	dlt_poc_msb_prsnt0 delta_poc_msb_present_flag[0]

Bit	Attr	Reset Value	Description
25:10	RW	0x0000	dlt_poc_msb_cycl0 delta_poc_msb_cycle_lt[0]
9:5	RW	0x00	num_negative_pics num_neg_pic
4	RW	0x0	num_pos_pic num_positive_pics
3:0	RW	0x0	used_by_s0_flg used_by_curr_pic_s0_flag

**VEPU580 SYNT REFM2 HEVC**

Address: Operational Base + offset (0x03D0)

Bit	Attr	Reset Value	Description
31:16	RW	0x0000	dlt_poc_s0_m11 delta_poc_s0_minus1[1]
15:0	RW	0x0000	dlt_poc_s0_m10 delta_poc_s0_minus1[0]

**VEPU580 SYNT REFM2 H264**

Address: Operational Base + offset (0x03D0)

Bit	Attr	Reset Value	Description
31:12	RO	0x00000	reserved
11:8	RW	0x0	long_term_frame_idx2 long_term_frame_idx[2] (when mmco equal 3)
7:4	RW	0x0	long_term_frame_idx1 long_term_frame_idx[1] (when mmco equal 3)
3:0	RW	0x0	long_term_frame_idx0 long_term_frame_idx[0] (when mmco equal 3)

**VEPU580 SYNT REFM3 HEVC**

Address: Operational Base + offset (0x03D4)

Bit	Attr	Reset Value	Description
31:16	RW	0x0000	dlt_poc_s0_m13 delta_poc_s0_minus1[3]
15:0	RW	0x0000	dlt_poc_s0_m12 delta_poc_s0_minus1[2]

**VEPU580 SYNT LONG REFM0**

Address: Operational Base + offset (0x03D8)

Bit	Attr	Reset Value	Description
31:16	RW	0x0000	poc_lsb_lt2 Poc_lsb_lt[2]
15:0	RW	0x0000	poc_lsb_lt1 Poc_lsb_lt[1]

**VEPU580 SYNT LONG REFM1**

## **RK3588 TRM-Part1**

Address: Operational Base + offset (0x03DC)

Bit	Attr	Reset Value	Description
31:16	RW	0x0000	dlt_poc_msb_cycl2 Delta_poc_msb_cycle_lt[2]
15:0	RW	0x0000	dlt_poc_msb_cycl1 Delta_poc_msb_cycle_lt[1]

### **VEPU580 LINE SLICE H264**

Address: Operational Base + offset (0x03F0)

Bit	Attr	Reset Value	Description
31	RW	0x0	sli_crs_en Slice cut cross lines enable, using for breaking the resolution limit, h264 only.
30:16	RO	0x0000	reserved
15	RW	0x0	mv_v_lmt_en According the profile, motion vector limit enable.
14	RO	0x0	reserved
13:0	RW	0x0000	mv_v_lmt_thd According the profile, motion vector limit ( by level ) , H.264 only, based on 1 pixel.

### **VEPU580 TILE CFG HEVC**

Address: Operational Base + offset (0x03F0)

Bit	Attr	Reset Value	Description
31	RW	0x0	tile_en Tile cut enable, hevc only.
30:24	RO	0x00	reserved
23:16	RW	0x00	tile_h_m1 The height of current tile minus 1, based on 64 pixel, hevc only.
15:8	RO	0x00	reserved
7:0	RW	0x00	tile_w_m1 The width of current tile minus 1, based on 64 pixel, hevc only.

### **VEPU580 TILE POS**

Address: Operational Base + offset (0x03F4)

Bit	Attr	Reset Value	Description
31:24	RO	0x00	reserved
23:16	RW	0x00	tile_y The top-left point of current tile in the vertical dirction, based on 64 pixel, hevc only.
15:8	RO	0x00	reserved
7:0	RW	0x00	tile_x The top-left point of current tile in the horizontal dirction, based on 64 pixel, hevc only.

### **VEPU580 RC ADJ0**

Address: Operational Base + offset (0x1000)

Bit	Attr	Reset Value	Description
31:25	RO	0x00	reserved
24:20	RW	0x00	qp_adj4 QP adjust step4 for rate control. It's a signed number and the valid value is from -16 to 15.
19:15	RW	0x00	qp_adj3 QP adjust step3 for rate control. It's a signed number and the valid value is from -16 to 15.
14:10	RW	0x00	qp_adj2 QP adjust step2 for rate control. It's a signed number and the valid value is from -16 to 15.
9:5	RW	0x00	qp_adj1 QP adjust step1 for rate control. It's a signed number and the valid value is from -16 to 15.
4:0	RW	0x00	qp_adj0 QP adjust step0 for rate control. It's a signed number and the valid value is from -16 to 15.

**VEPU580\_RC\_ADJ1**

Address: Operational Base + offset (0x1004)

Bit	Attr	Reset Value	Description
31:20	RO	0x000	reserved
19:15	RW	0x00	qp_adj8 QP adjust step8 for rate control. It's a signed number and the valid value is from -16 to 15.
14:10	RW	0x00	qp_adj7 QP adjust step7 for rate control. It's a signed number and the valid value is from -16 to 15.
9:5	RW	0x00	qp_adj6 QP adjust step6 for rate control. It's a signed number and the valid value is from -16 to 15.
4:0	RW	0x00	qp_adj5 QP adjust step5 for rate control. It's a signed number and the valid value is from -16 to 15.

**VEPU580\_RC\_DTHD0**

Address: Operational Base + offset (0x1008)

Bit	Attr	Reset Value	Description
31:0	RW	0x00000000	rc_dthd0 Bits rate deviation threshold0.

**VEPU580\_RC\_DTHD1**

Address: Operational Base + offset (0x100C)

**RK3588 TRM-Part1**

Bit	Attr	Reset Value	Description
31:0	RW	0x00000000	rc_dthd1 Bits rate deviation threshold1.

**VEPU580 RC DTHD2**

Address: Operational Base + offset (0x1010)

Bit	Attr	Reset Value	Description
31:0	RW	0x00000000	rc_dthd2 Bits rate deviation threshold2.

**VEPU580 RC DTHD3**

Address: Operational Base + offset (0x1014)

Bit	Attr	Reset Value	Description
31:0	RW	0x00000000	rc_dthd3 Bits rate deviation threshold3.

**VEPU580 RC DTHD4**

Address: Operational Base + offset (0x1018)

Bit	Attr	Reset Value	Description
31:0	RW	0x00000000	rc_dthd4 Bits rate deviation threshold4.

**VEPU580 RC DTHD5**

Address: Operational Base + offset (0x101C)

Bit	Attr	Reset Value	Description
31:0	RW	0x00000000	rc_dthd5 Bits rate deviation threshold5.

**VEPU580 RC DTHD6**

Address: Operational Base + offset (0x1020)

Bit	Attr	Reset Value	Description
31:0	RW	0x00000000	rc_dthd6 Bits rate deviation threshold6.

**VEPU580 RC DTHD7**

Address: Operational Base + offset (0x1024)

Bit	Attr	Reset Value	Description
31:0	RW	0x00000000	rc_dthd7 Bits rate deviation threshold7.

**VEPU580 RC DTHD8**

Address: Operational Base + offset (0x1028)

Bit	Attr	Reset Value	Description
31:0	RW	0x00000000	rc_dthd8 Bits rate deviation threshold8.



**VEPU580 ROI QTHD0**

Address: Operational Base + offset (0x1030)

Bit	Attr	Reset Value	Description
31:30	RO	0x0	reserved
29:24	RW	0x00	qpmin_area2 Min QP for 16x16 CU inside ROI area2.
23:18	RW	0x00	qpmax_area1 Max QP for 16x16 CU inside ROI area1.
17:12	RW	0x00	qpmin_area1 Min QP for 16x16 CU inside ROI area1.
11:6	RW	0x00	qpmax_area0 Max QP for 16x16 CU inside ROI area0.
5:0	RW	0x00	qpmin_area0 Min QP for 16x16 CU inside ROI area0.

**VEPU580 ROI QTHD1**

Address: Operational Base + offset (0x1034)

Bit	Attr	Reset Value	Description
31:30	RO	0x0	reserved
29:24	RW	0x00	qpmax_area4 Max QP for 16x16 CU inside ROI area4.
23:18	RW	0x00	qpmin_area4 Min QP for 16x16 CU inside ROI area4.
17:12	RW	0x00	qpmax_area3 Max QP for 16x16 CU inside ROI area3.
11:6	RW	0x00	qpmin_area3 Min QP for 16x16 CU inside ROI area3.
5:0	RW	0x00	qpmax_area2 Max QP for 16x16 CU inside ROI area2.

**VEPU580 ROI QTHD2**

Address: Operational Base + offset (0x1038)

Bit	Attr	Reset Value	Description
31:30	RO	0x0	reserved
29:24	RW	0x00	qpmin_area7 Min QP for 16x16 CU inside ROI area7.
23:18	RW	0x00	qpmax_area6 Max QP for 16x16 CU inside ROI area6.
17:12	RW	0x00	qpmin_area6 Min QP for 16x16 CU inside ROI area6.
11:6	RW	0x00	qpmax_area5 Max QP for 16x16 CU inside ROI area5.
5:0	RW	0x00	qpmin_area5 Min QP for 16x16 CU inside ROI area5.

**VEPU580 ROI QTHD3**

## RK3588 TRM-Part1

Address: Operational Base + offset (0x103C)

Bit	Attr	Reset Value	Description
31:30	RW	0x0	qpmap_mode QP theshold generation for the CUs whose size is bigger than 16x16. 2'h0: Mean value of 16x16 CU QP thesholds 2'h1: Max value of 16x16 CU QP thesholds 2'h2: Min value of 16x16 CU QP thesholds 2'h3: Reserved
29:6	RO	0x000000	reserved
5:0	RW	0x00	qpmax_area7 Max QP for 16x16 CU inside ROI area7.

### **VEPU580 MADI CFG**

Address: Operational Base + offset (0x1040)

Bit	Attr	Reset Value	Description
31:24	RO	0x00	reserved
23:16	RW	0x00	madi_thd Texture threshold for madi statistics.
15:1	RO	0x0000	reserved
0	RW	0x0	madi_mode MADI generation mode for CU32 and CU64. 1'h0: Follow 32x32 and 64x64 MADI functions. 1'h1: Calculated by the mean of corresponding CU16 MADIs.

### **VEPU580 AQ TTHD0**

Address: Operational Base + offset (0x1044)

Bit	Attr	Reset Value	Description
31:24	RW	0x00	aq_tthd3 Texture threshold3 for adaptive QP adjustment.
23:16	RW	0x00	aq_tthd2 Texture threshold2 for adaptive QP adjustment.
15:8	RW	0x00	aq_tthd1 Texture threshold1 for adaptive QP adjustment.
7:0	RW	0x00	aq_tthd0 Texture threshold0 for adaptive QP adjustment.

### **VEPU580 AQ TTHD1**

Address: Operational Base + offset (0x1048)

Bit	Attr	Reset Value	Description
31:24	RW	0x00	aq_tthd7 Texture threshold7 for adaptive QP adjustment.
23:16	RW	0x00	aq_tthd6 Texture threshold6 for adaptive QP adjustment.
15:8	RW	0x00	aq_tthd5 Texture threshold5 for adaptive QP adjustment.

Bit	Attr	Reset Value	Description
7:0	RW	0x00	aq_tthd4 Texture threshold4 for adaptive QP adjustment.

**VEPU580 AQ TTHD2**

Address: Operational Base + offset (0x104C)

Bit	Attr	Reset Value	Description
31:24	RW	0x00	aq_tthd11 Texture threshold11 for adaptive QP adjustment.
23:16	RW	0x00	aq_tthd10 Texture threshold10 for adaptive QP adjustment.
15:8	RW	0x00	aq_tthd9 Texture threshold9 for adaptive QP adjustment.
7:0	RW	0x00	aq_tthd8 Texture threshold8 for adaptive QP adjustment.

**VEPU580 AQ TTHD3**

Address: Operational Base + offset (0x1050)

Bit	Attr	Reset Value	Description
31:24	RW	0x00	aq_tthd15 Texture threshold15 for adaptive QP adjustment.
23:16	RW	0x00	aq_tthd14 Texture threshold14 for adaptive QP adjustment.
15:8	RW	0x00	aq_tthd13 Texture threshold13 for adaptive QP adjustment.
7:0	RW	0x00	aq_tthd12 Texture threshold12 for adaptive QP adjustment.

**VEPU580 AQ STP0**

Address: Operational Base + offset (0x1054)

Bit	Attr	Reset Value	Description
31:30	RO	0x0	reserved
29:24	RW	0x00	aq_stp_2t3 QP adjust step when current texture strength $\geq$ aq_tthd2 and $<$ aq_tthd3. It's a signed number and the valid value is from -32 to 31.
23:22	RO	0x0	reserved
21:16	RW	0x00	aq_stp_1t2 QP adjust step when current texture strength $\geq$ aq_tthd1 and $<$ aq_tthd2. It's a signed number and the valid value is from -32 to 31.
15:14	RO	0x0	reserved

Bit	Attr	Reset Value	Description
13:8	RW	0x00	aq_stp_0t1 QP adjust step when current texture strength $\geq$ aq_tthd0 and $<$ aq_tthd1. It's a signed number and the valid value is from -32 to 31.
7:6	RO	0x0	reserved
5:0	RW	0x00	aq_stp_s0 QP adjust step when current texture strength $<$ aq_tthd0. It's a signed number and the valid value is from -32 to 31.

**VEPU580 AQ STP1**

Address: Operational Base + offset (0x1058)

Bit	Attr	Reset Value	Description
31:30	RO	0x0	reserved
29:24	RW	0x00	aq_stp_6t7 QP adjust step when current texture strength $\geq$ aq_tthd6 and $<$ aq_tthd7. It's a signed number and the valid value is from -32 to 31.
23:22	RO	0x0	reserved
21:16	RW	0x00	aq_stp_5t6 QP adjust step when current texture strength $\geq$ aq_tthd5 and $<$ aq_tthd6. It's a signed number and the valid value is from -32 to 31.
15:14	RO	0x0	reserved
13:8	RW	0x00	aq_stp_4t5 QP adjust step when current texture strength $\geq$ aq_tthd4 and $<$ aq_tthd5. It's a signed number and the valid value is from -32 to 31.
7:6	RO	0x0	reserved
5:0	RW	0x00	aq_stp_3t4 QP adjust step when current texture strength $\geq$ aq_tthd3 and $<$ aq_tthd4. It's a signed number and the valid value is from -32 to 31.

**VEPU580 AQ STP2**

Address: Operational Base + offset (0x105C)

Bit	Attr	Reset Value	Description
31:30	RO	0x0	reserved
29:24	RW	0x00	aq_stp_11t12 QP adjust step when current texture strength $>$ aq_tthd11 and $\leq$ aq_tthd12. It's a signed number and the valid value is from -32 to 31.
23:22	RO	0x0	reserved

Bit	Attr	Reset Value	Description
21:16	RW	0x00	aq_stp_10t11 QP adjust step when current texture strength > aq_tthd10 and <= aq_tthd11. It's a signed number and the valid value is from -32 to 31.
15:14	RO	0x0	reserved
13:8	RW	0x00	aq_stp_9t10 QP adjust step when current texture strength > aq_tthd9 and <= aq_tthd10. It's a signed number and the valid value is from -32 to 31.
7:6	RO	0x0	reserved
5:0	RW	0x00	aq_stp_8t9 QP adjust step when current texture strength > aq_tthd8 and <= aq_tthd9. It's a signed number and the valid value is from -32 to 31.

**VEPU580 AQ\_STP3**

Address: Operational Base + offset (0x1060)

Bit	Attr	Reset Value	Description
31:30	RO	0x0	reserved
29:24	RW	0x00	aq_stp_b15 QP adjust step when current texture strength > aq_tthd15. It's a signed number and the valid value is from -32 to 31.
23:22	RO	0x0	reserved
21:16	RW	0x00	aq_stp_14t15 QP adjust step when current texture strength > aq_tthd14 and <= aq_tthd15. It's a signed number and the valid value is from -32 to 31.
15:14	RO	0x0	reserved
13:8	RW	0x00	aq_stp_13t14 QP adjust step when current texture strength > aq_tthd13 and <= aq_tthd14. It's a signed number and the valid value is from -32 to 31.
7:6	RO	0x0	reserved
5:0	RW	0x00	aq_stp_12t13 QP adjust step when current texture strength > aq_tthd12 and <= aq_tthd13. It's a signed number and the valid value is from -32 to 31.

**VEPU580 MD\_SAD\_THD**

Address: Operational Base + offset (0x1070)

Bit	Attr	Reset Value	Description
31:24	RO	0x00	reserved
23:16	RW	0x00	md_sad_thd2 SAD threshold2 of motion detection.

Bit	Attr	Reset Value	Description
15:8	RW	0x00	md_sad_thd1 SAD threshold1 of motion detection.
7:0	RW	0x00	md_sad_thd0 SAD threshold0 of motion detection.

**VEPU580\_MADI\_THD**

Address: Operational Base + offset (0x1074)

Bit	Attr	Reset Value	Description
31:24	RO	0x00	reserved
23:16	RW	0x00	maidi_thd2 MADI threshold2.
15:8	RW	0x00	maidi_thd1 MADI threshold1.
7:0	RW	0x00	maidi_thd0 MADI threshold0.

**VEPU580\_KLUT\_OFST**

Address: Operational Base + offset (0x1080)

Bit	Attr	Reset Value	Description
31:3	RO	0x00000000	reserved
2:0	RW	0x0	chrm_klut_ofst Offset of (RDO) chroma cost weight table, values from 0 to 6.

**VEPU580\_KLUT\_WGT0**

Address: Operational Base + offset (0x1084)

Bit	Attr	Reset Value	Description
31:23	RW	0x000	chrm_klut_wgt1_l9 Low 9 bits of data1 in chroma cost weight table.
22:18	RO	0x00	reserved
17:0	RW	0x00000	chrm_klut_wgt0 Data0 in chroma cost weight table.

**VEPU580\_KLUT\_WGT1**

Address: Operational Base + offset (0x1088)

Bit	Attr	Reset Value	Description
31:14	RW	0x00000	chrm_klut_wgt2 Data2 in chroma cost weight table.
13:9	RO	0x00	reserved
8:0	RW	0x000	chrm_klut_wgt1_h9 High 9 bits of data1 in chroma cost weight table.

**VEPU580\_KLUT\_WGT2**

Address: Operational Base + offset (0x108C)

Bit	Attr	Reset Value	Description
31:23	RW	0x000	chrn_klut_wgt4_l9 Low 9 bits of data4 in chroma cost weight table.
22:18	RO	0x00	reserved
17:0	RW	0x00000	chrn_klut_wgt3 Data3 in chroma cost weight table.

**VEPU580 KLUT WGT3**

Address: Operational Base + offset (0x1090)

Bit	Attr	Reset Value	Description
31:14	RW	0x00000	chrn_klut_wgt5 Data5 in chroma cost weight table.
13:9	RO	0x00	reserved
8:0	RW	0x000	chrn_klut_wgt4_h9 High 9 bits of data4 in chroma cost weight table.

**VEPU580 KLUT WGT4**

Address: Operational Base + offset (0x1094)

Bit	Attr	Reset Value	Description
31:23	RW	0x000	chrn_klut_wgt7_l9 Low 9 bits of data7 in chroma cost weight table.
22:18	RO	0x00	reserved
17:0	RW	0x00000	chrn_klut_wgt6 Data6 in chroma cost weight table.

**VEPU580 KLUT WGT5**

Address: Operational Base + offset (0x1098)

Bit	Attr	Reset Value	Description
31:14	RW	0x00000	chrn_klut_wgt8 Data8 in chroma cost weight table.
13:9	RO	0x00	reserved
8:0	RW	0x000	chrn_klut_wgt7_h9 High 9 bits of data7 in chroma cost weight table.

**VEPU580 KLUT WGT6**

Address: Operational Base + offset (0x109C)

Bit	Attr	Reset Value	Description
31:23	RW	0x000	chrn_klut_wgt10_l9 Low 9 bits of data10 in chroma cost weight table.
22:18	RO	0x00	reserved
17:0	RW	0x00000	chrn_klut_wgt9 Data9 in chroma cost weight table.

**VEPU580 KLUT WGT7**

Address: Operational Base + offset (0x10A0)

Bit	Attr	Reset Value	Description
31:14	RW	0x00000	chrn_klut_wgt11 Data11 in chroma cost weight table.
13:9	RO	0x00	reserved
8:0	RW	0x000	chrn_klut_wgt10_h9 High 9 bits of data10 in chroma cost weight table.

**VEPU580 KLUT WGT8**

Address: Operational Base + offset (0x10A4)

Bit	Attr	Reset Value	Description
31:23	RW	0x000	chrn_klut_wgt13_l9 Low 9 bits of data13 in chroma cost weight table.
22:18	RO	0x00	reserved
17:0	RW	0x00000	chrn_klut_wgt12 Data12 in chroma cost weight table.

**VEPU580 KLUT WGT9**

Address: Operational Base + offset (0x10A8)

Bit	Attr	Reset Value	Description
31:14	RW	0x00000	chrn_klut_wgt14 Data14 in chroma cost weight table.
13:9	RO	0x00	reserved
8:0	RW	0x000	chrn_klut_wgt13_h9 High 9 bits of data13 in chroma cost weight table.

**VEPU580 KLUT WGT10**

Address: Operational Base + offset (0x10AC)

Bit	Attr	Reset Value	Description
31:23	RW	0x000	chrn_klut_wgt16_l9 Low 9 bits of data16 in chroma cost weight table.
22:18	RO	0x00	reserved
17:0	RW	0x00000	chrn_klut_wgt15 Data15 in chroma cost weight table.

**VEPU580 KLUT WGT11**

Address: Operational Base + offset (0x10B0)

Bit	Attr	Reset Value	Description
31:14	RW	0x00000	chrn_klut_wgt17 Data17 in chroma cost weight table.
13:9	RO	0x00	reserved
8:0	RW	0x000	chrn_klut_wgt16_h9 High 9 bits of data16 in chroma cost weight table.

**VEPU580 KLUT WGT12**

Address: Operational Base + offset (0x10B4)



Bit	Attr	Reset Value	Description
31:23	RW	0x000	chrn_klut_wgt19_l9 Low 9 bits of data19 in chroma cost weight table.
22:18	RO	0x00	reserved
17:0	RW	0x00000	chrn_klut_wgt18 Data18 in chroma cost weight table.

**VEPU580 KLUT WGT13**

Address: Operational Base + offset (0x10B8)

Bit	Attr	Reset Value	Description
31:14	RW	0x00000	chrn_klut_wgt20 Data20 in chroma cost weight table.
13:9	RO	0x00	reserved
8:0	RW	0x000	chrn_klut_wgt19_h9 High 9 bits of data19 in chroma cost weight table.

**VEPU580 KLUT WGT14**

Address: Operational Base + offset (0x10BC)

Bit	Attr	Reset Value	Description
31:23	RW	0x000	chrn_klut_wgt22_l9 Low 9 bits of data22 in chroma cost weight table.
22:18	RO	0x00	reserved
17:0	RW	0x00000	chrn_klut_wgt21 Data21 in chroma cost weight table.

**VEPU580 KLUT WGT15**

Address: Operational Base + offset (0x10C0)

Bit	Attr	Reset Value	Description
31:14	RW	0x00000	chrn_klut_wgt23 Data23 in chroma cost weight table.
13:9	RO	0x00	reserved
8:0	RW	0x000	chrn_klut_wgt22_h9 High 9 bits of data22 in chroma cost weight table.

**VEPU580 KLUT WGT16**

Address: Operational Base + offset (0x10C4)

Bit	Attr	Reset Value	Description
31:23	RW	0x000	chrn_klut_wgt25_l9 Low 9 bits of data25 in chroma cost weight table.
22:18	RO	0x00	reserved
17:0	RW	0x00000	chrn_klut_wgt24 Data24 in chroma cost weight table.

**VEPU580 KLUT WGT17**

Address: Operational Base + offset (0x10C8)

Bit	Attr	Reset Value	Description
31:14	RW	0x00000	chrn_klut_wgt26 Data26 in chroma cost weight table.
13:9	RO	0x00	reserved
8:0	RW	0x000	chrn_klut_wgt25_h9 High 9 bits of data25 in chroma cost weight table.

**VEPU580 KLUT WGT18**

Address: Operational Base + offset (0x10CC)

Bit	Attr	Reset Value	Description
31:23	RW	0x000	chrn_klut_wgt28_l9 Low 9 bits of data28 in chroma cost weight table.
22:18	RO	0x00	reserved
17:0	RW	0x00000	chrn_klut_wgt27 Data27 in chroma cost weight table.

**VEPU580 KLUT WGT19**

Address: Operational Base + offset (0x10D0)

Bit	Attr	Reset Value	Description
31:14	RW	0x00000	chrn_klut_wgt29 Data29 in chroma cost weight table.
13:9	RO	0x00	reserved
8:0	RW	0x000	chrn_klut_wgt28_h9 High 9 bits of data28 in chroma cost weight table.

**VEPU580 KLUT WGT20**

Address: Operational Base + offset (0x10D4)

Bit	Attr	Reset Value	Description
31:23	RW	0x000	chrn_klut_wgt31_l9 Low 9 bits of data31 in chroma cost weight table.
22:18	RO	0x00	reserved
17:0	RW	0x00000	chrn_klut_wgt30 Data30 in chroma cost weight table.

**VEPU580 KLUT WGT21**

Address: Operational Base + offset (0x10D8)

Bit	Attr	Reset Value	Description
31:14	RW	0x00000	chrn_klut_wgt32 Data32 in chroma cost weight table.
13:9	RO	0x00	reserved
8:0	RW	0x000	chrn_klut_wgt31_h9 High 9 bits of data31 in chroma cost weight table.

**VEPU580 KLUT WGT22**

Address: Operational Base + offset (0x10DC)

Bit	Attr	Reset Value	Description
31:23	RW	0x000	chrn_klut_wgt34_l9 Low 9 bits of data34 in chroma cost weight table.
22:18	RO	0x00	reserved
17:0	RW	0x00000	chrn_klut_wgt33 Data33 in chroma cost weight table.

**VEPU580 KLUT WGT23**

Address: Operational Base + offset (0x10E0)

Bit	Attr	Reset Value	Description
31:9	RO	0x000000	reserved
8:0	RW	0x000	chrn_klut_wgt34_h9 High 9 bits of data34 in chroma cost weight table.

**VEPU580 QNT BIAS COMB**

Address: Operational Base + offset (0x1730)

Bit	Attr	Reset Value	Description
31:20	RO	0x000	reserved
19:10	RW	0x000	qnt_bias_p Quantization bias for HEVC and H.264 P frame.
9:0	RW	0x000	qnt_bias_i Quantization bias for HEVC and H.264 I frame.

**VEPU580 RDO WGTA QP15 COMB**

Address: Operational Base + offset (0x193C)

Bit	Attr	Reset Value	Description
31:24	RO	0x00	reserved
23:0	RW	0x000000	wgt_qp15_grpa Weight of gourp A for HEVC and H.264 RDO mode decision when QP is 15.

**VEPU580 OSD INV EN**

Address: Operational Base + offset (0x3000)

Bit	Attr	Reset Value	Description
31:24	RW	0x00	osd_ch_inv_msk OSD color inverse expression switch for chroma component, each bit controls corresponding region. 1'h0: Expression need to determine the condition; 1'h1: Expression don't need to determine the condition;
23:16	RW	0x00	osd_lu_inv_msk OSD color inverse expression switch for luma component, each bit controls corresponding region. 1'h0: Expression need to determine the condition; 1'h1: Expression don't need to determine the condition;

Bit	Attr	Reset Value	Description
15:8	RW	0x00	osd_ch_inv_en OSD color inverse enable of chroma component, each bit controls corresponding region.
7:0	RW	0x00	osd_lu_inv_en OSD color inverse enable of luma component, each bit controls corresponding region.

**VEPU580 OSD INV THD**

Address: Operational Base + offset (0x3004)

Bit	Attr	Reset Value	Description
31:28	RW	0x0	osd_ithd_r7 Color inverse threshold for OSD region7.
27:24	RW	0x0	osd_ithd_r6 Color inverse threshold for OSD region6.
23:20	RW	0x0	osd_ithd_r5 Color inverse threshold for OSD region5.
19:16	RW	0x0	osd_ithd_r4 Color inverse threshold for OSD region4.
15:12	RW	0x0	osd_ithd_r3 Color inverse threshold for OSD region3.
11:8	RW	0x0	osd_ithd_r2 Color inverse threshold for OSD region2.
7:4	RW	0x0	osd_ithd_r1 Color inverse threshold for OSD region1.
3:0	RW	0x0	osd_ithd_r0 Color inverse threshold for OSD region0.

**VEPU580 OSD CFG**

Address: Operational Base + offset (0x3008)

Bit	Attr	Reset Value	Description
31:18	RO	0x0000	reserved
17	RW	0x0	osd_plt_typ OSD palette type. 1'h1: Default type. 1'h0: User defined type.
16	RW	0x0	osd_plt_cks OSD palette clock selection. 1'h0: Configure bus clock domain. 1'h1: Core clock domain.
15:8	RW	0x00	osd_itype OSD color inverse expression type, each bit controls corresponding region. 1'h0: AND; 1'h1: OR;

Bit	Attr	Reset Value	Description
7:0	RW	0x00	osd_en Each bit controls the corresponding OSD region. 1'b0: OSD region disable 1'b1: OSD region enable

**VEPU580 OSD0 LT POS**

Address: Operational Base + offset (0x3010)

Bit	Attr	Reset Value	Description
31:26	RO	0x00	reserved
25:16	RW	0x000	osd0_lt_y Y coordinate/16 of OSD region0's left-top point.
15:10	RO	0x00	reserved
9:0	RW	0x000	osd0_lt_x X coordinate/16 of OSD region0's left-top point.

**VEPU580 OSD0 RB POS**

Address: Operational Base + offset (0x3014)

Bit	Attr	Reset Value	Description
31:26	RO	0x00	reserved
25:16	RW	0x000	osd0_rb_y Y coordinate/16 of OSD region0's right-bottom point.
15:10	RO	0x00	reserved
9:0	RW	0x000	osd0_rb_x X coordinate/16 of OSD region0's right-bottom point.

**VEPU580 OSD1 LT POS**

Address: Operational Base + offset (0x3018)

Bit	Attr	Reset Value	Description
31:26	RO	0x00	reserved
25:16	RW	0x000	osd1_lt_y Y coordinate/16 of OSD region1's left-top point.
15:10	RO	0x00	reserved
9:0	RW	0x000	osd1_lt_x X coordinate/16 of OSD region1's left-top point.

**VEPU580 OSD1 RB POS**

Address: Operational Base + offset (0x301C)

Bit	Attr	Reset Value	Description
31:26	RO	0x00	reserved
25:16	RW	0x000	osd1_rb_y Y coordinate/16 of OSD region1's right-bottom point.
15:10	RO	0x00	reserved
9:0	RW	0x000	osd1_rb_x X coordinate/16 of OSD region1's right-bottom point.

**VEPU580 OSD2 LT POS**

Address: Operational Base + offset (0x3020)

Bit	Attr	Reset Value	Description
31:26	RO	0x00	reserved
25:16	RW	0x000	osd2_lt_y Y coordinate/16 of OSD region2's left-top point.
15:10	RO	0x00	reserved
9:0	RW	0x000	osd2_lt_x X coordinate/16 of OSD region2's left-top point.

**VEPU580 OSD2 RB POS**

Address: Operational Base + offset (0x3024)

Bit	Attr	Reset Value	Description
31:26	RO	0x00	reserved
25:16	RW	0x000	osd2_rb_y Y coordinate/16 of OSD region2's right-bottom point.
15:10	RO	0x00	reserved
9:0	RW	0x000	osd2_rb_x X coordinate/16 of OSD region2's right-bottom point.

**VEPU580 OSD3 LT POS**

Address: Operational Base + offset (0x3028)

Bit	Attr	Reset Value	Description
31:26	RO	0x00	reserved
25:16	RW	0x000	osd3_lt_y Y coordinate/16 of OSD region3's left-top point.
15:10	RO	0x00	reserved
9:0	RW	0x000	osd3_lt_x X coordinate/16 of OSD region3's left-top point.

**VEPU580 OSD3 RB POS**

Address: Operational Base + offset (0x302C)

Bit	Attr	Reset Value	Description
31:26	RO	0x00	reserved
25:16	RW	0x000	osd3_rb_y Y coordinate/16 of OSD region3's right-bottom point.
15:10	RO	0x00	reserved
9:0	RW	0x000	osd3_rb_x X coordinate/16 of OSD region3's right-bottom point.

**VEPU580 OSD4 LT POS**

Address: Operational Base + offset (0x3030)

Bit	Attr	Reset Value	Description
31:26	RO	0x00	reserved

Bit	Attr	Reset Value	Description
25:16	RW	0x000	osd4_lt_y Y coordinate/16 of OSD region4's left-top point.
15:10	RO	0x00	reserved
9:0	RW	0x000	osd4_lt_x X coordinate/16 of OSD region4's left-top point.

**VEPU580 OSD4 RB POS**

Address: Operational Base + offset (0x3034)

Bit	Attr	Reset Value	Description
31:26	RO	0x00	reserved
25:16	RW	0x000	osd4_rb_y Y coordinate/16 of OSD region4's right-bottom point.
15:10	RO	0x00	reserved
9:0	RW	0x000	osd4_rb_x X coordinate/16 of OSD region4's right-bottom point.

**VEPU580 OSD5 LT POS**

Address: Operational Base + offset (0x3038)

Bit	Attr	Reset Value	Description
31:26	RO	0x00	reserved
25:16	RW	0x000	osd5_lt_y Y coordinate/16 of OSD region5's left-top point.
15:10	RO	0x00	reserved
9:0	RW	0x000	osd5_lt_x X coordinate/16 of OSD region5's left-top point.

**VEPU580 OSD5 RB POS**

Address: Operational Base + offset (0x303C)

Bit	Attr	Reset Value	Description
31:26	RO	0x00	reserved
25:16	RW	0x000	osd5_rb_y Y coordinate/16 of OSD region5's right-bottom point.
15:10	RO	0x00	reserved
9:0	RW	0x000	osd5_rb_x X coordinate/16 of OSD region5's right-bottom point.

**VEPU580 OSD6 LT POS**

Address: Operational Base + offset (0x3040)

Bit	Attr	Reset Value	Description
31:26	RO	0x00	reserved
25:16	RW	0x000	osd6_lt_y Y coordinate/16 of OSD region6's left-top point.
15:10	RO	0x00	reserved

**RK3588 TRM-Part1**

Bit	Attr	Reset Value	Description
9:0	RW	0x000	osd6_lt_x X coordinate/16 of OSD region6's left-top point.

**VEPU580 OSD6 RB POS**

Address: Operational Base + offset (0x3044)

Bit	Attr	Reset Value	Description
31:26	RO	0x00	reserved
25:16	RW	0x000	osd6_rb_y Y coordinate/16 of OSD region6's right-bottom point.
15:10	RO	0x00	reserved
9:0	RW	0x000	osd6_rb_x X coordinate/16 of OSD region6's right-bottom point.

**VEPU580 OSD7 LT POS**

Address: Operational Base + offset (0x3048)

Bit	Attr	Reset Value	Description
31:26	RO	0x00	reserved
25:16	RW	0x000	osd7_lt_y Y coordinate/16 of OSD region7's left-top point.
15:10	RO	0x00	reserved
9:0	RW	0x000	osd7_lt_x X coordinate/16 of OSD region7's left-top point.

**VEPU580 OSD7 RB POS**

Address: Operational Base + offset (0x304C)

Bit	Attr	Reset Value	Description
31:26	RO	0x00	reserved
25:16	RW	0x000	osd7_rb_y Y coordinate/16 of OSD region7's right-bottom point.
15:10	RO	0x00	reserved
9:0	RW	0x000	osd7_rb_x X coordinate/16 of OSD region7's right-bottom point.

**VEPU580 ADR OSD0**

Address: Operational Base + offset (0x3050)

Bit	Attr	Reset Value	Description
31:4	RW	0x0000000	osd0_addr High 28 bits of base address for OSD region0, based on 16byte.
3:0	RO	0x0	reserved

**VEPU580 ADR OSD1**

Address: Operational Base + offset (0x3054)



Bit	Attr	Reset Value	Description
31:4	RW	0x0000000	osd1_addr High 28 bits of base address for OSD region1, based on 16byte.
3:0	RO	0x0	reserved

**VEPU580 ADR OSD2**

Address: Operational Base + offset (0x3058)

Bit	Attr	Reset Value	Description
31:4	RW	0x0000000	osd2_addr High 28 bits of base address for OSD region2, based on 16byte.
3:0	RO	0x0	reserved

**VEPU580 ADR OSD3**

Address: Operational Base + offset (0x305C)

Bit	Attr	Reset Value	Description
31:4	RW	0x0000000	osd3_addr High 28 bits of base address for OSD region3, based on 16byte.
3:0	RO	0x0	reserved

**VEPU580 ADR OSD4**

Address: Operational Base + offset (0x3060)

Bit	Attr	Reset Value	Description
31:4	RW	0x0000000	osd4_addr High 28 bits of base address for OSD region4, based on 16byte.
3:0	RO	0x0	reserved

**VEPU580 ADR OSD5**

Address: Operational Base + offset (0x3064)

Bit	Attr	Reset Value	Description
31:4	RW	0x0000000	osd5_addr High 28 bits of base address for OSD region5, based on 16byte.
3:0	RO	0x0	reserved

**VEPU580 ADR OSD6**

Address: Operational Base + offset (0x3068)

Bit	Attr	Reset Value	Description
31:4	RW	0x0000000	osd6_addr High 28 bits of base address for OSD region6, based on 16byte.
3:0	RO	0x0	reserved

**VEPU580 ADR OSD7**

Address: Operational Base + offset (0x306C)

Bit	Attr	Reset Value	Description
31:4	RW	0x0000000	osd7_addr High 28 bits of base address for OSD region7, based on 16byte.

**RK3588 TRM-Part1**

Bit	Attr	Reset Value	Description
3:0	RO	0x0	reserved

**VEPU580 OSD PLT0**

Address: Operational Base + offset (0x3080)

Bit	Attr	Reset Value	Description
31:24	RW	0x00	alpha Alpha
23:16	RW	0x00	v V component
15:8	RW	0x00	u U component
7:0	RW	0x00	y Y component

**VEPU580 OSD PLT1**

Address: Operational Base + offset (0x3084)

Bit	Attr	Reset Value	Description
31:24	RW	0x00	alpha Alpha
23:16	RW	0x00	v V component
15:8	RW	0x00	u U component
7:0	RW	0x00	y Y component

**VEPU580 OSD PLT255**

Address: Operational Base + offset (0x347C)

Bit	Attr	Reset Value	Description
31:24	RW	0x00	alpha Alpha
23:16	RW	0x00	v V component
15:8	RW	0x00	u U component
7:0	RW	0x00	y Y component

**VEPU580 ST BSL L32**

Address: Operational Base + offset (0x4000)

Bit	Attr	Reset Value	Description
31:0	RW	0x00000000	bs_lgth_l32 Low 32 bits of bit stream length for current frame.

**VEPU580 ST SSE BSL**

## **RK3588 TRM-Part1**

Address: Operational Base + offset (0x4004)

<b>Bit</b>	<b>Attr</b>	<b>Reset Value</b>	<b>Description</b>
31:16	RW	0x0000	sse_l16 Low 16 bits of encoding distortion (SSE).
15:8	RO	0x00	reserved
7:0	RW	0x00	bs_lgth_h8 High 8 bits of bit stream length for current frame.

### **VEPU580 ST SSE H32**

Address: Operational Base + offset (0x4008)

<b>Bit</b>	<b>Attr</b>	<b>Reset Value</b>	<b>Description</b>
31:0	RW	0x00000000	sse_h32 High 32 bits of encoding distortion (SSE).

### **VEPU580 ST SSE QP**

Address: Operational Base + offset (0x400C)

<b>Bit</b>	<b>Attr</b>	<b>Reset Value</b>	<b>Description</b>
31:0	RW	0x00000000	qp_sum Sum of QP for the encoded frame.

### **VEPU580 ST SAO**

Address: Operational Base + offset (0x4010)

<b>Bit</b>	<b>Attr</b>	<b>Reset Value</b>	<b>Description</b>
31:16	RW	0x0000	sao_ynum Number of CTUs whose LUMA component are adjusted by SAO.
15:0	RW	0x0000	sao_cnum Number of CTUs whose CHROMA component are adjusted by SAO.

### **VEPU580 ST HEAD BL L32**

Address: Operational Base + offset (0x4014)

<b>Bit</b>	<b>Attr</b>	<b>Reset Value</b>	<b>Description</b>
31:0	RW	0x00000000	rdo_head_bits Low 32 bits of RDO HeaderBits length.

### **VEPU580 ST HEAD RES BL**

Address: Operational Base + offset (0x4018)

<b>Bit</b>	<b>Attr</b>	<b>Reset Value</b>	<b>Description</b>
31:16	RW	0x0000	rdo_res_bits_l16 Low 16 bits of RDO ResidualBits length.
15:8	RO	0x00	reserved
7:0	RW	0x00	rdo_head_bits_h8 High 8 bits of RDO HeaderBits length.

### **VEPU580 ST RES BL H24**

Address: Operational Base + offset (0x401C)

Bit	Attr	Reset Value	Description
31:0	RW	0x00000000	rdo_res_bits_h24 High 24 bits of RDO ResidualBits length.

**VEPU580 ST ENC**

Address: Operational Base + offset (0x4020)

Bit	Attr	Reset Value	Description
31:3	RO	0x00000000	reserved
2	RW	0x0	st_sclr Status of safe clear. 1'h0: Safe clear is finished or not started. 1'h1: VEPU is performing safe clear.
1:0	RW	0x0	st_enc VEPU working status. 2'h0: Idle. 2'h1: Working in register configuration mode. 2'h2: Working in link table configuration mode.

**VEPU580 ST LKT**

Address: Operational Base + offset (0x4024)

Bit	Attr	Reset Value	Description
31:24	RW	0x00	fnum_enc_done Number modulo 256 of frames has been encoded done since link table mode started.
23:16	RW	0x00	fnum_int Number modulo 256 of frames has been encoded since link table mode started, updated only when corresponding link table node send interrupt (VEPU_ENC_PIC_node_int==1).
15:8	RW	0x00	fnum_cfg Number modulo 256 of frames has been configured since link table mode started.
7:0	RW	0x00	fnum_cfg_done Number modulo 256 of frames has been config done since link table mode started.

**VEPU580 ST NADR**

Address: Operational Base + offset (0x4028)

Bit	Attr	Reset Value	Description
31:4	RW	0x00000000	node_addr High 28 bits of the address for the processing linke table node.
3:0	RO	0x0	reserved

**VEPU580 ST BSB**

Address: Operational Base + offset (0x402C)

Bit	Attr	Reset Value	Description
31	RO	0x0	reserved

Bit	Attr	Reset Value	Description
30:3	RW	0x0000000	bsbw_addr High 28 bits of bit stream buffer write address.
2:1	RO	0x0	reserved
0	RW	0x0	bsbw_ovfl Bit stream buffer full (overflow).

**VEPU580 ST BUS**

Address: Operational Base + offset (0x4030)

Bit	Attr	Reset Value	Description
31	RO	0x0	reserved
30:24	RW	0x00	axir_err AXI read error. [6]: LPF read data between tiles (AXI0_ARID==9) [5]: ROI configuration (AXI0_ARID==7) [4]: Down-sampled picture (AXI0_ARID==6) [3]: Co-located Mv (AXI0_ARID==5) [2]: Link table (AXI0_ARID==4) [1]: Reference picture (AXI0_ARID==1,2,3,8) [0]: Video source load (AXI1)
23:16	RW	0x00	axib_err AXI write response error. [7]: LPF write-back data between tiles channel (AXI0_WID==6) [6]: Reconstructed picture channel (AXI0_WID==5) [5]: ME information channel (AXI0_WID==4) [4]: Co-located Mv channel (AXI0_WID==3) [3]: Down-sampled picture channel (AXI0_WID==2) [2]: Bit stream channel (AXI0_WID==1) [1]: Link table node channel (AXI0_WID==0) [0]: External line buffer channel (AXI0_WID==7).
15:8	RW	0x00	axib_ovfl AXI write response outstanding overflow. [7]: LPF write-back data between tiles channel (AXI0_WID==6) [6]: Reconstructed picture channel (AXI0_WID==5) [5]: ME information channel (AXI0_WID==4) [4]: Co-located Mv channel (AXI0_WID==3) [3]: Down-sampled picture channel (AXI0_WID==2) [2]: Bit stream channel (AXI0_WID==1) [1]: Link table node channel (AXI0_WID==0) [0]: External line buffer channel (AXI0_WID==7).

Bit	Attr	Reset Value	Description
7:0	RW	0x00	axib_idl AXI write response idle. [7]: LPF write-back data between tiles channel (AXIO_WID==6) [6]: Reconstructed picture channel (AXIO_WID==5) [5]: ME information channel (AXIO_WID==4) [4]: Co-located Mv channel (AXIO_WID==3) [3]: Down-sampled picture channel (AXIO_WID==2) [2]: Bit stream channel (AXIO_WID==1) [1]: Link table node channel (AXIO_WID==0) [0]: External line buffer channel (AXIO_WID==7).

**VEPU580 ST SNUM**

Address: Operational Base + offset (0x4034)

Bit	Attr	Reset Value	Description
31:6	RO	0x0000000	reserved
5:0	RW	0x00	sli_num Number for slices has been encoded and not read out (by reading ST_SLEN).

**VEPU580 ST SLEN**

Address: Operational Base + offset (0x4038)

Bit	Attr	Reset Value	Description
31:25	RO	0x00	reserved
24:0	RW	0x0000000	sli_len Byte length for the earliest encoded slice which has not been read out( by reading VEPUS_ST_SLEN).

**VEPU580 ST PNUM P64**

Address: Operational Base + offset (0x4100)

Bit	Attr	Reset Value	Description
31:17	RO	0x0000	reserved
16:0	RW	0x00000	pnum_p64 Number of 64x64 inter predicted blocks.

**VEPU580 ST PNUM P32**

Address: Operational Base + offset (0x4104)

Bit	Attr	Reset Value	Description
31:19	RO	0x0000	reserved
18:0	RW	0x00000	pnum_p32 Number of 32x32 inter predicted blocks.

**VEPU580 ST PNUM P16**

Address: Operational Base + offset (0x4108)

Bit	Attr	Reset Value	Description
31:21	RO	0x000	reserved

Bit	Attr	Reset Value	Description
20:0	RW	0x000000	pnum_p16 Number of 16x16 inter predicted blocks.

**VEPU580 ST PNUM P8**

Address: Operational Base + offset (0x410C)

Bit	Attr	Reset Value	Description
31:23	RO	0x000	reserved
22:0	RW	0x000000	pnum_p8 Number of 8x8 inter predicted blocks.

**VEPU580 ST PNUM I32**

Address: Operational Base + offset (0x4110)

Bit	Attr	Reset Value	Description
31:19	RO	0x0000	reserved
18:0	RW	0x000000	pnum_i32 Number of 32x32 intra predicted blocks.

**VEPU580 ST PNUM I16**

Address: Operational Base + offset (0x4114)

Bit	Attr	Reset Value	Description
31:21	RO	0x000	reserved
20:0	RW	0x000000	pnum_i16 Number of 16x16 intra predicted blocks.

**VEPU580 ST PNUM I8**

Address: Operational Base + offset (0x4118)

Bit	Attr	Reset Value	Description
31:23	RO	0x000	reserved
22:0	RW	0x000000	pnum_i8 Number of 8x8 intra predicted blocks.

**VEPU580 ST PNUM I4**

Address: Operational Base + offset (0x411C)

Bit	Attr	Reset Value	Description
31:23	RO	0x000	reserved
22:0	RW	0x000000	pnum_i4 Number of 4x4 intra predicted blocks.

**VEPU580 ST CPLX TMP**

Address: Operational Base + offset (0x4120)

Bit	Attr	Reset Value	Description
31:0	RW	0x00000000	madp Mean absolute differences between current encoding and reference frame.

**VEPU580 ST BNUM CME**

Address: Operational Base + offset (0x4124)

Bit	Attr	Reset Value	Description
31:21	RO	0x000	reserved
20:0	RW	0x000000	num_ctu Number of CTU (HEVC: 64x64; H.264: 64x16) for CME inter-frame prediction.

**VEPU580 ST CPLX SPT**

Address: Operational Base + offset (0x4128)

Bit	Attr	Reset Value	Description
31:0	RW	0x00000000	madi Mean absolute differences for current encoding frame.

**VEPU580 ST BNUM B16**

Address: Operational Base + offset (0x412C)

Bit	Attr	Reset Value	Description
31:23	RO	0x000	reserved
22:0	RW	0x000000	num_b16 Number of valid 16x16 blocks for one frame.

**VEPU580 ST CPLX MAX B16**

Address: Operational Base + offset (0x4130)

Bit	Attr	Reset Value	Description
31:0	RW	0x00000000	num_madi_max_b16 Number of 16x16 blocks which the value is bigger than sw_aq_thd15.

**VEPU580 ST MD SAD NUM0**

Address: Operational Base + offset (0x4134)

Bit	Attr	Reset Value	Description
31:0	RW	0x00000000	md_sad_b16num0 Number of 16x16 blocks with cime original sad < md_sad_thd0.

**VEPU580 ST MD SAD NUM1**

Address: Operational Base + offset (0x4138)

Bit	Attr	Reset Value	Description
31:0	RW	0x00000000	md_sad_b16num1 Number of 16x16 blocks with md_sad_thd0 <= cime_original_sad < md_sad_thd1.

**VEPU580 ST MD SAD NUM2**

Address: Operational Base + offset (0x413C)



Bit	Attr	Reset Value	Description
31:0	RW	0x00000000	md_sad_b16num2 Number of 16x16 blocks with md_sad_thd1 <= cime_ordinal_sad < md_sad_thd2.

**VEPU580 ST MD SAD NUM3**

Address: Operational Base + offset (0x4140)

Bit	Attr	Reset Value	Description
31:0	RW	0x00000000	md_sad_b16num3 Number of 16x16 blocks with md_sad_thd2 <= cime_ordinal_sad.

**VEPU580 ST MADI NUM0**

Address: Operational Base + offset (0x4144)

Bit	Attr	Reset Value	Description
31:0	RW	0x00000000	madi_b16num0 Number of 16x16 blocks with madi < madi_thd0.

**VEPU580 ST MADI NUM1**

Address: Operational Base + offset (0x4148)

Bit	Attr	Reset Value	Description
31:0	RW	0x00000000	madi_b16num1 Number of 16x16 blocks with madi_thd0 <= madi < madi_thd1.

**VEPU580 ST MADI NUM2**

Address: Operational Base + offset (0x414C)

Bit	Attr	Reset Value	Description
31:0	RW	0x00000000	madi_b16num2 Number of 16x16 blocks with madi_thd1 <= madi < madi_thd2.

**VEPU580 ST MADI NUM3**

Address: Operational Base + offset (0x4150)

Bit	Attr	Reset Value	Description
31:0	RW	0x00000000	madi_b16num3 Number of 16x16 blocks with madi_thd2 <= madi.

**VEPU580 ST B8 QP0**

Address: Operational Base + offset (0x4200)

Bit	Attr	Reset Value	Description
31:22	RO	0x000	reserved
21:0	RW	0x000000	b8num_qp0 Number of block8x8s with QP=0. HEVC CUs of which size are bigger than 8x8 are considered as (CU_size/8)*(CU_size/8) block8x8s; while H.264 MB is considered as 4 block8x8s.

**VEPU580 ST B8 QP1**

Address: Operational Base + offset (0x4204)

Bit	Attr	Reset Value	Description
31:22	RO	0x000	reserved
21:0	RW	0x000000	b8num_qp1 Number of block8x8s with QP=1. HEVC CUs of which size are bigger than 8x8 are considered as $(CU\_size/8)*(CU\_size/8)$ clock8x8s; while H.264 MB is considered as 4 block8x8s.

**VEPU580 ST B8 QP2**

Address: Operational Base + offset (0x4208)

Bit	Attr	Reset Value	Description
31:22	RO	0x000	reserved
21:0	RW	0x000000	b8num_qp2 Number of block8x8s with QP=2. HEVC CUs of which size are bigger than 8x8 are considered as $(CU\_size/8)*(CU\_size/8)$ clock8x8s; while H.264 MB is considered as 4 block8x8s.

**VEPU580 ST B8 QP3**

Address: Operational Base + offset (0x420C)

Bit	Attr	Reset Value	Description
31:22	RO	0x000	reserved
21:0	RW	0x000000	b8num_qp3 Number of block8x8s with QP=3. HEVC CUs of which size are bigger than 8x8 are considered as $(CU\_size/8)*(CU\_size/8)$ clock8x8s; while H.264 MB is considered as 4 block8x8s.

**VEPU580 ST B8 QP4**

Address: Operational Base + offset (0x4210)

Bit	Attr	Reset Value	Description
31:22	RO	0x000	reserved
21:0	RW	0x000000	b8num_qp4 Number of block8x8s with QP=4. HEVC CUs of which size are bigger than 8x8 are considered as $(CU\_size/8)*(CU\_size/8)$ clock8x8s; while H.264 MB is considered as 4 block8x8s.

**VEPU580 ST B8 QP5**

Address: Operational Base + offset (0x4214)

Bit	Attr	Reset Value	Description
31:22	RO	0x000	reserved
21:0	RW	0x000000	b8num_qp5 Number of block8x8s with QP=5. HEVC CUs of which size are bigger than 8x8 are considered as $(CU\_size/8)*(CU\_size/8)$ clock8x8s; while H.264 MB is considered as 4 block8x8s.

**VEPU580 ST B8 QP6**

Address: Operational Base + offset (0x4218)

Bit	Attr	Reset Value	Description
31:22	RO	0x000	reserved
21:0	RW	0x000000	b8num_qp6 Number of block8x8s with QP=6. HEVC CUs of which size are bigger than 8x8 are considered as $(CU\_size/8)*(CU\_size/8)$ clock8x8s; while H.264 MB is considered as 4 block8x8s.

**VEPU580 ST B8 QP7**

Address: Operational Base + offset (0x421C)

Bit	Attr	Reset Value	Description
31:22	RO	0x000	reserved
21:0	RW	0x000000	b8num_qp7 Number of block8x8s with QP=7. HEVC CUs of which size are bigger than 8x8 are considered as $(CU\_size/8)*(CU\_size/8)$ clock8x8s; while H.264 MB is considered as 4 block8x8s.

**VEPU580 ST B8 QP8**

Address: Operational Base + offset (0x4220)

Bit	Attr	Reset Value	Description
31:22	RO	0x000	reserved
21:0	RW	0x000000	b8num_qp8 Number of block8x8s with QP=8. HEVC CUs of which size are bigger than 8x8 are considered as $(CU\_size/8)*(CU\_size/8)$ clock8x8s; while H.264 MB is considered as 4 block8x8s.

**VEPU580 ST B8 QP9**

Address: Operational Base + offset (0x4224)

Bit	Attr	Reset Value	Description
31:22	RO	0x000	reserved
21:0	RW	0x000000	b8num_qp9 Number of block8x8s with QP=9. HEVC CUs of which size are bigger than 8x8 are considered as $(CU\_size/8)*(CU\_size/8)$ clock8x8s; while H.264 MB is considered as 4 block8x8s.

**VEPU580 ST B8 QP10**

Address: Operational Base + offset (0x4228)

Bit	Attr	Reset Value	Description
31:22	RO	0x000	reserved
21:0	RW	0x000000	b8num_qp10 Number of block8x8s with QP=10. HEVC CUs of which size are bigger than 8x8 are considered as $(CU\_size/8)*(CU\_size/8)$ clock8x8s; while H.264 MB is considered as 4 block8x8s.

**VEPU580 ST B8 QP11**

Address: Operational Base + offset (0x422C)

Bit	Attr	Reset Value	Description
31:22	RO	0x000	reserved
21:0	RW	0x000000	b8num_qp11 Number of block8x8s with QP=11. HEVC CUs of which size are bigger than 8x8 are considered as $(CU\_size/8)*(CU\_size/8)$ clock8x8s; while H.264 MB is considered as 4 block8x8s.

**VEPU580 ST B8 QP12**

Address: Operational Base + offset (0x4230)

Bit	Attr	Reset Value	Description
31:22	RO	0x000	reserved
21:0	RW	0x000000	b8num_qp12 Number of block8x8s with QP=12. HEVC CUs of which size are bigger than 8x8 are considered as $(CU\_size/8)*(CU\_size/8)$ clock8x8s; while H.264 MB is considered as 4 block8x8s.

**VEPU580 ST B8 QP13**

Address: Operational Base + offset (0x4234)

Bit	Attr	Reset Value	Description
31:22	RO	0x000	reserved
21:0	RW	0x000000	b8num_qp13 Number of block8x8s with QP=13. HEVC CUs of which size are bigger than 8x8 are considered as $(CU\_size/8)*(CU\_size/8)$ clock8x8s; while H.264 MB is considered as 4 block8x8s.

**VEPU580 ST B8 QP14**

Address: Operational Base + offset (0x4238)

Bit	Attr	Reset Value	Description
31:22	RO	0x000	reserved
21:0	RW	0x000000	b8num_qp14 Number of block8x8s with QP=14. HEVC CUs of which size are bigger than 8x8 are considered as $(CU\_size/8)*(CU\_size/8)$ clock8x8s; while H.264 MB is considered as 4 block8x8s.

**VEPU580 ST B8 QP15**

Address: Operational Base + offset (0x423C)

Bit	Attr	Reset Value	Description
31:22	RO	0x000	reserved
21:0	RW	0x000000	b8num_qp15 Number of block8x8s with QP=15. HEVC CUs of which size are bigger than 8x8 are considered as $(CU\_size/8)*(CU\_size/8)$ clock8x8s; while H.264 MB is considered as 4 block8x8s.

**VEPU580 ST B8 QP16**

Address: Operational Base + offset (0x4240)

Bit	Attr	Reset Value	Description
31:22	RO	0x000	reserved
21:0	RW	0x000000	b8num_qp16 Number of block8x8s with QP=16. HEVC CUs of which size are bigger than 8x8 are considered as $(CU\_size/8)*(CU\_size/8)$ clock8x8s; while H.264 MB is considered as 4 block8x8s.

**VEPU580 ST B8 QP17**

Address: Operational Base + offset (0x4244)

Bit	Attr	Reset Value	Description
31:22	RO	0x000	reserved
21:0	RW	0x000000	b8num_qp17 Number of block8x8s with QP=17. HEVC CUs of which size are bigger than 8x8 are considered as $(CU\_size/8)*(CU\_size/8)$ clock8x8s; while H.264 MB is considered as 4 block8x8s.

**VEPU580 ST B8 QP18**

Address: Operational Base + offset (0x4248)

Bit	Attr	Reset Value	Description
31:22	RO	0x000	reserved
21:0	RW	0x000000	b8num_qp18 Number of block8x8s with QP=18. HEVC CUs of which size are bigger than 8x8 are considered as $(CU\_size/8)*(CU\_size/8)$ clock8x8s; while H.264 MB is considered as 4 block8x8s.

**VEPU580 ST B8 QP19**

Address: Operational Base + offset (0x424C)

Bit	Attr	Reset Value	Description
31:22	RO	0x000	reserved
21:0	RW	0x000000	b8num_qp19 Number of block8x8s with QP=19. HEVC CUs of which size are bigger than 8x8 are considered as $(CU\_size/8)*(CU\_size/8)$ clock8x8s; while H.264 MB is considered as 4 block8x8s.

**VEPU580 ST B8 QP20**

Address: Operational Base + offset (0x4250)

Bit	Attr	Reset Value	Description
31:22	RO	0x000	reserved
21:0	RW	0x000000	b8num_qp20 Number of block8x8s with QP=20. HEVC CUs of which size are bigger than 8x8 are considered as $(CU\_size/8)*(CU\_size/8)$ clock8x8s; while H.264 MB is considered as 4 block8x8s.

**VEPU580 ST B8 QP21**

Address: Operational Base + offset (0x4254)

Bit	Attr	Reset Value	Description
31:22	RO	0x000	reserved
21:0	RW	0x000000	b8num_qp21 Number of block8x8s with QP=21. HEVC CUs of which size are bigger than 8x8 are considered as $(CU\_size/8)*(CU\_size/8)$ clock8x8s; while H.264 MB is considered as 4 block8x8s.

**VEPU580 ST B8 QP22**

Address: Operational Base + offset (0x4258)

Bit	Attr	Reset Value	Description
31:22	RO	0x000	reserved
21:0	RW	0x000000	b8num_qp22 Number of block8x8s with QP=22. HEVC CUs of which size are bigger than 8x8 are considered as $(CU\_size/8)*(CU\_size/8)$ clock8x8s; while H.264 MB is considered as 4 block8x8s.

**VEPU580 ST B8 QP23**

Address: Operational Base + offset (0x425C)

Bit	Attr	Reset Value	Description
31:22	RO	0x000	reserved
21:0	RW	0x000000	b8num_qp23 Number of block8x8s with QP=23. HEVC CUs of which size are bigger than 8x8 are considered as $(CU\_size/8)*(CU\_size/8)$ clock8x8s; while H.264 MB is considered as 4 block8x8s.

**VEPU580 ST B8 QP24**

Address: Operational Base + offset (0x4260)

Bit	Attr	Reset Value	Description
31:22	RO	0x000	reserved
21:0	RW	0x000000	b8num_qp24 Number of block8x8s with QP=24. HEVC CUs of which size are bigger than 8x8 are considered as $(CU\_size/8)*(CU\_size/8)$ clock8x8s; while H.264 MB is considered as 4 block8x8s.

**VEPU580 ST B8 QP25**

Address: Operational Base + offset (0x4264)

Bit	Attr	Reset Value	Description
31:22	RO	0x000	reserved
21:0	RW	0x000000	b8num_qp25 Number of block8x8s with QP=25. HEVC CUs of which size are bigger than 8x8 are considered as $(CU\_size/8)*(CU\_size/8)$ clock8x8s; while H.264 MB is considered as 4 block8x8s.

**VEPU580 ST B8 QP26**

Address: Operational Base + offset (0x4268)

Bit	Attr	Reset Value	Description
31:22	RO	0x000	reserved
21:0	RW	0x000000	b8num_qp26 Number of block8x8s with QP=26. HEVC CUs of which size are bigger than 8x8 are considered as $(CU\_size/8)*(CU\_size/8)$ clock8x8s; while H.264 MB is considered as 4 block8x8s.

**VEPU580 ST B8 QP27**

Address: Operational Base + offset (0x426C)

Bit	Attr	Reset Value	Description
31:22	RO	0x000	reserved
21:0	RW	0x000000	b8num_qp27 Number of block8x8s with QP=27. HEVC CUs of which size are bigger than 8x8 are considered as $(CU\_size/8)*(CU\_size/8)$ clock8x8s; while H.264 MB is considered as 4 block8x8s.

**VEPU580 ST B8 QP28**

Address: Operational Base + offset (0x4270)

Bit	Attr	Reset Value	Description
31:22	RO	0x000	reserved
21:0	RW	0x000000	b8num_qp28 Number of block8x8s with QP=28. HEVC CUs of which size are bigger than 8x8 are considered as $(CU\_size/8)*(CU\_size/8)$ clock8x8s; while H.264 MB is considered as 4 block8x8s.

**VEPU580 ST B8 QP29**

Address: Operational Base + offset (0x4274)

Bit	Attr	Reset Value	Description
31:22	RO	0x000	reserved
21:0	RW	0x000000	b8num_qp29 Number of block8x8s with QP=29. HEVC CUs of which size are bigger than 8x8 are considered as $(CU\_size/8)*(CU\_size/8)$ clock8x8s; while H.264 MB is considered as 4 block8x8s.

**VEPU580 ST B8 QP30**

Address: Operational Base + offset (0x4278)

Bit	Attr	Reset Value	Description
31:22	RO	0x000	reserved
21:0	RW	0x000000	b8num_qp30 Number of block8x8s with QP=30. HEVC CUs of which size are bigger than 8x8 are considered as $(CU\_size/8)*(CU\_size/8)$ clock8x8s; while H.264 MB is considered as 4 block8x8s.

**VEPU580 ST B8 QP31**

Address: Operational Base + offset (0x427C)

Bit	Attr	Reset Value	Description
31:22	RO	0x000	reserved
21:0	RW	0x000000	b8num_qp31 Number of block8x8s with QP=31. HEVC CUs of which size are bigger than 8x8 are considered as $(CU\_size/8)*(CU\_size/8)$ clock8x8s; while H.264 MB is considered as 4 block8x8s.

**VEPU580 ST B8 QP32**

Address: Operational Base + offset (0x4280)

Bit	Attr	Reset Value	Description
31:22	RO	0x000	reserved
21:0	RW	0x000000	b8num_qp32 Number of block8x8s with QP=32. HEVC CUs of which size are bigger than 8x8 are considered as $(CU\_size/8)*(CU\_size/8)$ clock8x8s; while H.264 MB is considered as 4 block8x8s.

**VEPU580 ST B8 QP33**

Address: Operational Base + offset (0x4284)

Bit	Attr	Reset Value	Description
31:22	RO	0x000	reserved
21:0	RW	0x000000	b8num_qp33 Number of block8x8s with QP=33. HEVC CUs of which size are bigger than 8x8 are considered as $(CU\_size/8)*(CU\_size/8)$ clock8x8s; while H.264 MB is considered as 4 block8x8s.

**VEPU580 ST B8 QP34**

Address: Operational Base + offset (0x4288)

Bit	Attr	Reset Value	Description
31:22	RO	0x000	reserved
21:0	RW	0x000000	b8num_qp34 Number of block8x8s with QP=34. HEVC CUs of which size are bigger than 8x8 are considered as $(CU\_size/8)*(CU\_size/8)$ clock8x8s; while H.264 MB is considered as 4 block8x8s.

**VEPU580 ST B8 QP35**

Address: Operational Base + offset (0x428C)

Bit	Attr	Reset Value	Description
31:22	RO	0x000	reserved
21:0	RW	0x000000	b8num_qp35 Number of block8x8s with QP=35. HEVC CUs of which size are bigger than 8x8 are considered as $(CU\_size/8)*(CU\_size/8)$ clock8x8s; while H.264 MB is considered as 4 block8x8s.

**VEPU580 ST B8 QP36**

Address: Operational Base + offset (0x4290)



Bit	Attr	Reset Value	Description
31:22	RO	0x000	reserved
21:0	RW	0x000000	b8num_qp36 Number of block8x8s with QP=36. HEVC CUs of which size are bigger than 8x8 are considered as $(CU\_size/8)*(CU\_size/8)$ clock8x8s; while H.264 MB is considered as 4 block8x8s.

**VEPU580 ST B8 QP37**

Address: Operational Base + offset (0x4294)

Bit	Attr	Reset Value	Description
31:22	RO	0x000	reserved
21:0	RW	0x000000	b8num_qp37 Number of block8x8s with QP=37. HEVC CUs of which size are bigger than 8x8 are considered as $(CU\_size/8)*(CU\_size/8)$ clock8x8s; while H.264 MB is considered as 4 block8x8s.

**VEPU580 ST B8 QP38**

Address: Operational Base + offset (0x4298)

Bit	Attr	Reset Value	Description
31:22	RO	0x000	reserved
21:0	RW	0x000000	b8num_qp38 Number of block8x8s with QP=38. HEVC CUs of which size are bigger than 8x8 are considered as $(CU\_size/8)*(CU\_size/8)$ clock8x8s; while H.264 MB is considered as 4 block8x8s.

**VEPU580 ST B8 QP39**

Address: Operational Base + offset (0x429C)

Bit	Attr	Reset Value	Description
31:22	RO	0x000	reserved
21:0	RW	0x000000	b8num_qp39 Number of block8x8s with QP=39. HEVC CUs of which size are bigger than 8x8 are considered as $(CU\_size/8)*(CU\_size/8)$ clock8x8s; while H.264 MB is considered as 4 block8x8s.

**VEPU580 ST B8 QP40**

Address: Operational Base + offset (0x42A0)

Bit	Attr	Reset Value	Description
31:22	RO	0x000	reserved
21:0	RW	0x000000	b8num_qp40 Number of block8x8s with QP=40. HEVC CUs of which size are bigger than 8x8 are considered as $(CU\_size/8)*(CU\_size/8)$ clock8x8s; while H.264 MB is considered as 4 block8x8s.

**VEPU580 ST B8 QP41**

Address: Operational Base + offset (0x42A4)

Bit	Attr	Reset Value	Description
31:22	RO	0x000	reserved
21:0	RW	0x000000	b8num_qp41 Number of block8x8s with QP=41. HEVC CUs of which size are bigger than 8x8 are considered as $(CU\_size/8)*(CU\_size/8)$ clock8x8s; while H.264 MB is considered as 4 block8x8s.

**VEPU580 ST B8 QP42**

Address: Operational Base + offset (0x42A8)

Bit	Attr	Reset Value	Description
31:22	RO	0x000	reserved
21:0	RW	0x000000	b8num_qp42 Number of block8x8s with QP=42. HEVC CUs of which size are bigger than 8x8 are considered as $(CU\_size/8)*(CU\_size/8)$ clock8x8s; while H.264 MB is considered as 4 block8x8s.

**VEPU580 ST B8 QP43**

Address: Operational Base + offset (0x42AC)

Bit	Attr	Reset Value	Description
31:22	RO	0x000	reserved
21:0	RW	0x000000	b8num_qp43 Number of block8x8s with QP=43. HEVC CUs of which size are bigger than 8x8 are considered as $(CU\_size/8)*(CU\_size/8)$ clock8x8s; while H.264 MB is considered as 4 block8x8s.

**VEPU580 ST B8 QP44**

Address: Operational Base + offset (0x42B0)

Bit	Attr	Reset Value	Description
31:22	RO	0x000	reserved
21:0	RW	0x000000	b8num_qp44 Number of block8x8s with QP=44. HEVC CUs of which size are bigger than 8x8 are considered as $(CU\_size/8)*(CU\_size/8)$ clock8x8s; while H.264 MB is considered as 4 block8x8s.

**VEPU580 ST B8 QP45**

Address: Operational Base + offset (0x42B4)

Bit	Attr	Reset Value	Description
31:22	RO	0x000	reserved
21:0	RW	0x000000	b8num_qp45 Number of block8x8s with QP=45. HEVC CUs of which size are bigger than 8x8 are considered as $(CU\_size/8)*(CU\_size/8)$ clock8x8s; while H.264 MB is considered as 4 block8x8s.

**VEPU580 ST B8 QP46**

Address: Operational Base + offset (0x42B8)

Bit	Attr	Reset Value	Description
31:22	RO	0x000	reserved
21:0	RW	0x000000	b8num_qp46 Number of block8x8s with QP=46. HEVC CUs of which size are bigger than 8x8 are considered as $(CU\_size/8)*(CU\_size/8)$ clock8x8s; while H.264 MB is considered as 4 block8x8s.

**VEPU580 ST B8 QP47**

Address: Operational Base + offset (0x42BC)

Bit	Attr	Reset Value	Description
31:22	RO	0x000	reserved
21:0	RW	0x000000	b8num_qp47 Number of block8x8s with QP=47. HEVC CUs of which size are bigger than 8x8 are considered as $(CU\_size/8)*(CU\_size/8)$ clock8x8s; while H.264 MB is considered as 4 block8x8s.

**VEPU580 ST B8 QP48**

Address: Operational Base + offset (0x42C0)

Bit	Attr	Reset Value	Description
31:22	RO	0x000	reserved
21:0	RW	0x000000	b8num_qp48 Number of block8x8s with QP=48. HEVC CUs of which size are bigger than 8x8 are considered as $(CU\_size/8)*(CU\_size/8)$ clock8x8s; while H.264 MB is considered as 4 block8x8s.

**VEPU580 ST B8 QP49**

Address: Operational Base + offset (0x42C4)

Bit	Attr	Reset Value	Description
31:22	RO	0x000	reserved
21:0	RW	0x000000	b8num_qp49 Number of block8x8s with QP=49. HEVC CUs of which size are bigger than 8x8 are considered as $(CU\_size/8)*(CU\_size/8)$ clock8x8s; while H.264 MB is considered as 4 block8x8s.

**VEPU580 ST B8 QP50**

Address: Operational Base + offset (0x42C8)

Bit	Attr	Reset Value	Description
31:22	RO	0x000	reserved
21:0	RW	0x000000	b8num_qp50 Number of block8x8s with QP=50. HEVC CUs of which size are bigger than 8x8 are considered as $(CU\_size/8)*(CU\_size/8)$ clock8x8s; while H.264 MB is considered as 4 block8x8s.

**VEPU580 ST B8 QP51**

Address: Operational Base + offset (0x42CC)

Bit	Attr	Reset Value	Description
31:22	RO	0x000	reserved
21:0	RW	0x000000	b8num_qp51 Number of block8x8s with QP=51. HEVC CUs of which size are bigger than 8x8 are considered as (CU_size/8)*(CU_size/8) block8x8s; while H.264 MB is considered as 4 block8x8s.

**VEPU580 ST SLI\_NUM**

Address: Operational Base + offset (0x5028)

Bit	Attr	Reset Value	Description
31:15	RO	0x00000	reserved
14:0	RW	0x0000	sli_num Number of slices.

**VEPU580 ST LKT\_ERR**

Address: Operational Base + offset (0x502C)

Bit	Attr	Reset Value	Description
31:3	RO	0x00000000	reserved
2:0	RW	0x0	lkt_err Linktable mode error interrupt info: [0]: lkt node error; [1]: lkt command error; [2]: lkt fifo full.

**VEPU580 MMU0\_ADDR**

Address: Operational Base + offset (0xF000)

Bit	Attr	Reset Value	Description
31:0	RW	0x00000000	mmu0_dte_addr DTE address for AXI0 MMU.

**VEPU580 MMU0\_ST**

Address: Operational Base + offset (0xF004)

Bit	Attr	Reset Value	Description
31:11	RO	0x000000	reserved
10:6	RW	0x00	mmuflt_id ID for the last MMU0 fault.
5	RW	0x0	mmuflt_typ Type of MMU0 fault. 1'h0: Read fault. 1'h1: Write fault.
4	RW	0x0	mmu_rbly_epty MMU0 replay buffer is empty.
3	RW	0x0	mmu_idl MMU0 idle.

Bit	Attr	Reset Value	Description
2	RW	0x0	mmu_stl MMU0 stall.
1	RW	0x0	mmuflt MMU0 page fault.
0	RW	0x0	mmu_e MMU0 is enabled.

**VEPU580 MMU0 CMD**

Address: Operational Base + offset (0xF008)

Bit	Attr	Reset Value	Description
31:3	RO	0x00000000	reserved
2:0	RW	0x0	mmu_cmd MMU0 command. 3'h0: MMU mapping enable. 3'h1: MMU mapping disable. 3'h2: MMU stall enable. 3'h3: MMU stall disable. 3'h4: Zap(disable) page table cache line. 3'h5: Leave fault mode. 3'h6: MMU reset.

**VEPU580 MMU0 PFA**

Address: Operational Base + offset (0xF00C)

Bit	Attr	Reset Value	Description
31:0	RW	0x00000000	mmu_pfa Address of the last page fault.

**VEPU580 MMU0 ZAP**

Address: Operational Base + offset (0xF010)

Bit	Attr	Reset Value	Description
31:0	RW	0x00000000	mmu_zpa Invalid address for page table cache mapping.

**VEPU580 MMU0 ERR**

Address: Operational Base + offset (0xF014)

Bit	Attr	Reset Value	Description
31:2	RO	0x00000000	reserved
1	RW	0x0	rb_err Read bus error.
0	RW	0x0	pf_err Page fault error.

**VEPU580 MMU0 INT CLR**

Address: Operational Base + offset (0xF018)

Bit	Attr	Reset Value	Description
31:2	RO	0x00000000	reserved
1	RW	0x0	rbe_clr Read bus error interrupt clear.
0	RW	0x0	pfe_clr Page fault error interrupt clear.

**VEPU580 MMU0 INT MSK**

Address: Operational Base + offset (0xF01C)

Bit	Attr	Reset Value	Description
31:2	RO	0x00000000	reserved
1	RW	0x0	rbe_msk Read bus error interrupt mask.
0	RW	0x0	pfe_msk Page fault error interrupt mask.

**VEPU580 MMU0 INT STA**

Address: Operational Base + offset (0xF020)

Bit	Attr	Reset Value	Description
31:2	RO	0x00000000	reserved
1	RW	0x0	rbe_sta Read bus error interrupt status.
0	RW	0x0	pfe_sta Page fault error interrupt status.

**VEPU580 MMU0 ACKG**

Address: Operational Base + offset (0xF024)

Bit	Attr	Reset Value	Description
31:1	RO	0x00000000	reserved
0	RW	0x1	mmu_ackg Auto clock gating enable.

**VEPU580 MMU1 ADDR**

Address: Operational Base + offset (0xF040)

Bit	Attr	Reset Value	Description
31:0	RW	0x00000000	mmu1_dte_addr DTE address for AXI1 MMU1.

**VEPU580 MMU1 ST**

Address: Operational Base + offset (0xF044)

Bit	Attr	Reset Value	Description
31:11	RO	0x000000	reserved
10:6	RW	0x00	mmuflt_id ID for the last MMU fault.

Bit	Attr	Reset Value	Description
5	RW	0x0	mmuflt_tpy Type of MMU1 fault. 1'h0: Read fault. 1'h1: Write fault.
4	RW	0x0	mmu_rbly_pty MMU1 replay buffer is empty.
3	RW	0x0	mmu_idl MMU1 idle.
2	RW	0x0	mmu_stl MMU1 stall.
1	RW	0x0	mmuflt MMU1 page fault.
0	RW	0x0	mmu_e MMU1 is enabled.

**VEPU580 MMU1 CMD**

Address: Operational Base + offset (0xF048)

Bit	Attr	Reset Value	Description
31:3	RO	0x00000000	reserved
2:0	RW	0x0	mmu_cmd MMU1 command. 3'h0: MMU mapping enable. 3'h1: MMU mapping disable. 3'h2: MMU stall enable. 3'h3: MMU stall disable. 3'h4: Zap(disable) page table cache line. 3'h5: Leave fault mode. 3'h6: MMU reset.

**VEPU580 MMU1 PFA**

Address: Operational Base + offset (0xF04C)

Bit	Attr	Reset Value	Description
31:0	RW	0x00000000	mmu_pfa Address of the last page fault.

**VEPU580 MMU1 ZAP**

Address: Operational Base + offset (0xF050)

Bit	Attr	Reset Value	Description
31:0	RW	0x00000000	mmu_zpa Invalid address for page table cache mapping.

**VEPU580 MMU1 ERR**

Address: Operational Base + offset (0xF054)

Bit	Attr	Reset Value	Description
31:1	RO	0x00000000	reserved

Bit	Attr	Reset Value	Description
0	RW	0x0	pf_err Page fault error.

**VEPU580 MMU1 INT CLR**

Address: Operational Base + offset (0xF058)

Bit	Attr	Reset Value	Description
31:2	RO	0x00000000	reserved
1	RW	0x0	rbe_clr Read bus error interrupt clear.
0	RW	0x0	pfe_clr Page fault error interrupt clear.

**VEPU580 MMU1 INT MSK**

Address: Operational Base + offset (0xF05C)

Bit	Attr	Reset Value	Description
31:2	RO	0x00000000	reserved
1	RW	0x0	rbe_msk Read bus error interrupt mask.
0	RW	0x0	pfe_msk Page fault error interrupt mask.

**VEPU580 MMU1 INT STA**

Address: Operational Base + offset (0xF060)

Bit	Attr	Reset Value	Description
31:2	RO	0x00000000	reserved
1	RW	0x0	rbe_sta Read bus error interrupt status.
0	RW	0x0	pfe_sta Page fault error interrupt status.

**VEPU580 MMU1 ACKG**

Address: Operational Base + offset (0xF064)

Bit	Attr	Reset Value	Description
31:1	RO	0x00000000	reserved
0	RW	0x1	mmu_ackg Auto clock gating enable.



## 5.6 Application Notes

### 5.6.1 MMU Config Flow

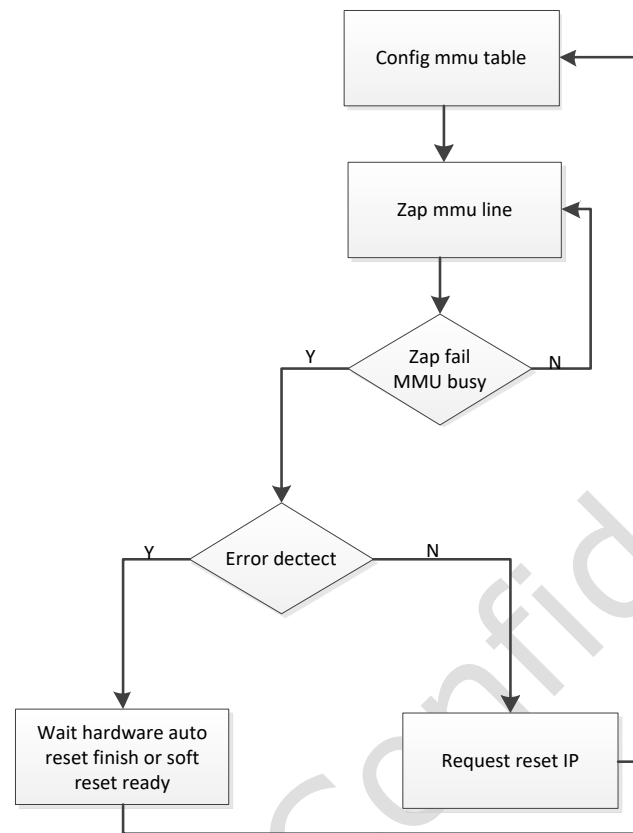


Fig. 5-13 MMU config flow

1. Prepare mmu table to ddr and config DTE address before begin to decoder.
2. If the mmu table have been changed, you will zap one mmu line.
3. If you zap succeeded, you can continus to zap next line.
4. If you zap fail, maybe some error happened, then you should check if there any error happen when decoding.
5. If some error happen, you should wait reset finish, and then re-start mmu config.
6. If don't have any error find, it will still need to reset, and then re-start mmu config.

### 5.6.2 VDP121 decoder Configuration flow

1. Prepare the decoder data in the DDR memory, and in decoder other than JPEG decoder, the input stream buffer should at least contain a slice or a frame data, otherwise the decoder will produce an interrupt and show error and then reset itself.
2. Config all the registers will be used. The decoder can support ref buffer mode or cacheable mode, but they can't be both enabled. We can config the swreg57[28], swreg57[29] to enable cache and config the swreg65 to control the ref buffer.
3. You should config VDP121\_SWREG57[0] as 1'b1 to enable video decoder. And config VDP121\_SWREG41[0] as 1'b1 to enable pp. If pp performed in pipeline with decoder, you should config VDP121\_SWREG41[4] as 1'b1 and then config VDP121\_SWREG57[0] as 1'b1 to enable decoder and pp.
4. Wait for the frame interrupt, and then check if the frame decoder ready interrupt is right or not, after that, you can get the processed results in the target DDR.
5. Clear all the interrupts, repeat step 2~4 to start a new frame decoder or encoder.

### 5.6.3 VDPU381 decoder Configuration Flow

1. Prepare the data in the DDR.
2. Set the H265 general system configuration. such as working mode in RKVDEC.swreg9, in/out endian in RKVDEC.swreg8.
3. Set the picture parameters with RKVDEC.swreg0~ RKVDEC.swreg63.
4. Set the input and output data base address and H265 reference configuration with RKVDEC.swreg64~ RKVDEC.swreg127.
5. If CABAC error detection is desired, set the RKVDEC.swreg21 to enable the corresponding error detection.
6. Set the interrupt configuration with RKVDEC.swreg11 and start the H265 with RKVDEC.swreg10.
7. Wait for the frame interrupt, and then get the processed results in the target DDR.
8. Clear all the interrupts, and repeat Process2~Process8 to start a new frame decoding if the decoding is not finished yet.

### 5.6.4 VDPU381 Link table Pointer mode configuration flow

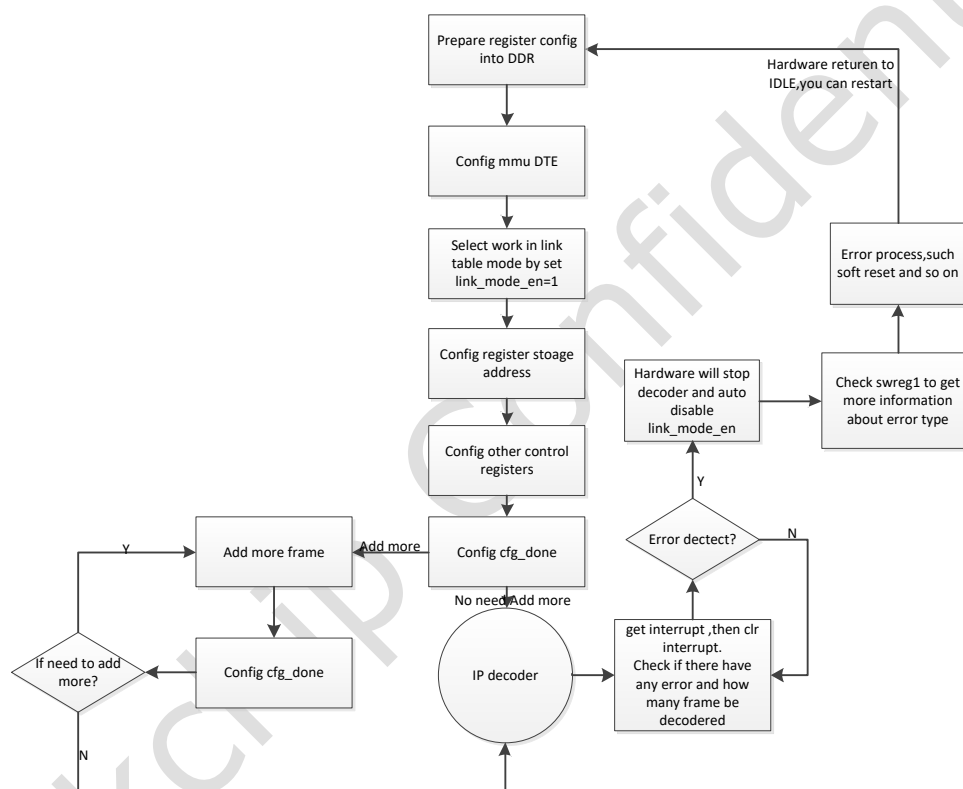


Fig. 5-14 Link table mode work flow

1. Prepare all the register config value into DDR.
2. Config mmu DTE and enable mmu before config link table mode.
3. Config link\_mode\_irq and other link table mode register. The register is from link\_tale\_swreg0~link\_table\_swreg2.
4. Config config\_done(set link\_table\_swreg3[0]=1'b1) to make the link table register configuration effect, after that, hardware will begin to decoder frame by frame.
5. If you need to add more frame, you can use superaddition mode, you can add more frame when decoder at any status.
6. If all config be rdy, you should enable the working flag by config link\_mode\_en (link\_table\_swreg6[0]) to 1.
7. If all the frame be decoded, the hardware will hold the working status wait user to process, you can add more frame or set link\_mode\_en=0(need to set config\_done=1'b1) to finish link table mode.
8. When you get interrupt, at first, you should clear the irq, and then, goto check if there

have any error by check link\_table\_swreg4[31]=1'b1 or not. If any error found by hardware, the hardware will disable link table mode and stop decoder until user restart next link table mode. And then you can get more information about error type from normal register swreg225.

9. When you get interrupt, if there doesn't have any error, you may be to check the frame number which have been decoded.

10. Please note that: Any link table register be config, you need to config swreg3[0]=1'b1 to make it effective.

### 5.6.5 VDP0381 CCU configuration flow

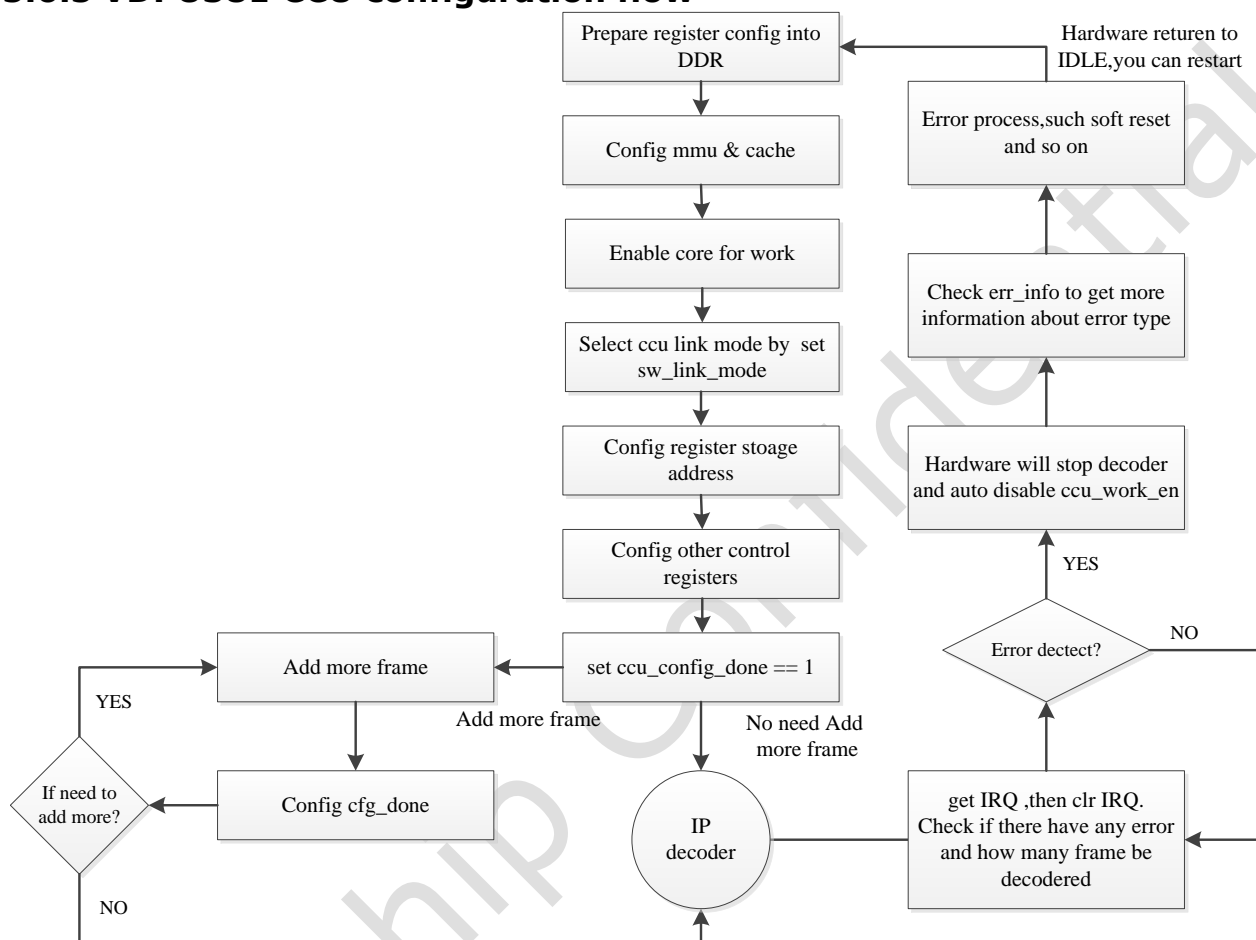


Fig. 5-15 Ccu mode work flow

1. Prepare all the register config value into DDR.
2. Config mmu&cache and enable mmu&cache before config sw\_link\_mode.
3. Select which cores work control by CCU, and enable these core by set register (RKVDEC\_BASE+0x0000)
4. Config ccu\_link\_mode, ccu\_cfg\_start\_addr and other ccu config register
5. If all config be rdy, you should enable the working flag by config ccu\_work\_en set swreg6\_ccu\_work\_en[0]=1'b1
6. Config ccu\_config\_done(set swreg3\_ccu\_config\_down[0]=1'b1) to enable ccu configuration effect, after that, hardware will begin to decoder frame by frame.
7. If you need to add more frame, you can use superaddition mode, you can add more frame when decoder at any status.
8. If all the frame be decoded, the hardware will hold the working status wait user to process, you can add more frame or set sw\_link\_mode =0 to finish link table mode.
9. When you get interrupt, at first, you should clear the irq, and then, goto check if there have any error by check swreg21\_ccu\_core\_err\_sta[1:0]=2'b0 or not. If any error found by hardware core, the error hardware core will disable itself, and if all selection hardware core error, ccu stop decoder until user restart next ccu\_mode.
10. When you get interrupt, if there doesn't have any error, you may be to check the frame

number which have been decoded.

11. Please note that: Any link table register be config, you need to config `ccu_config_done = 1'b1` to make it effective.

### 5.6.6 VDPU720 JPEG decoder Configuration flow

1. Prepare the decoder data in the DDR memory, and in decoder other than JPEG decoder, the input stream buffer should at least contain a slice or a frame data, otherwise the decoder will produce an interrupt and show error and then reset itself.
2. Config all the registers will be used.
3. You should config `VDPU720_SWREG1[0]` as `1'b1` to enable JPEG decoder.
4. Wait for the frame interrupt, and then check if the frame decoder ready interrupt is right or not, after that, you can get the processed results in the target DDR.
5. Clear all the interrupts, repeat step 2~4 to start a new frame decoder or encoder.

### 5.6.7 VEPU121 JPEG encoder Configuration flow

1. Prepare the encoder data in the DDR memory
2. Config all the registers will be used. And please notice that which be list as follows:
  - For encoder: We can configure the registers to control the input picture data format (such as endian and swap), but some input data format are fixed, such as `cabac_table` data. And the register `VEPU_SWREG0~31` are JPEG quantization registers. They are write only registers. When you want to write these registers, you should first set `VEPU_SWREG103[0]` to `1'b0` and `VEPU_SWREG103[5:4]` to `2'b10` (select JPEG mode).
3. `VEPU_SWREG103[0]` set to `1'b1` to enable encoder.
4. Wait for the frame interrupt, and then check if the frame decoder ready interrupt is right or not, after that, you can get the processed results in the target DDR.
5. Clear all the interrupts, repeat step 2~5 to start a new frame decoder or encoder.

### 5.6.8 VEPU580 Application Notes

#### 5.6.8.1 VEPU Working Mode

VEPU supports two working modes: Register Configuration Mode and Link Table Mode.

In Register Configuration Mode, encoding a frame needs to be divided into three steps: Configure encoding parameters, start encoding, and then wait for encoding finish. Configuration register and interrupt response time will reduce the encoding speed, but software can adjust the configuration of the next frame in real time according to the encoding result of the previous frame.

In Link Table Mode, User can store several frames' configurations in DDR before encoding or add new frames to be encoded while VEPU is processing the previous one. This will save the time of interrupt response and register configuration and let VEPU and software process in parallel.

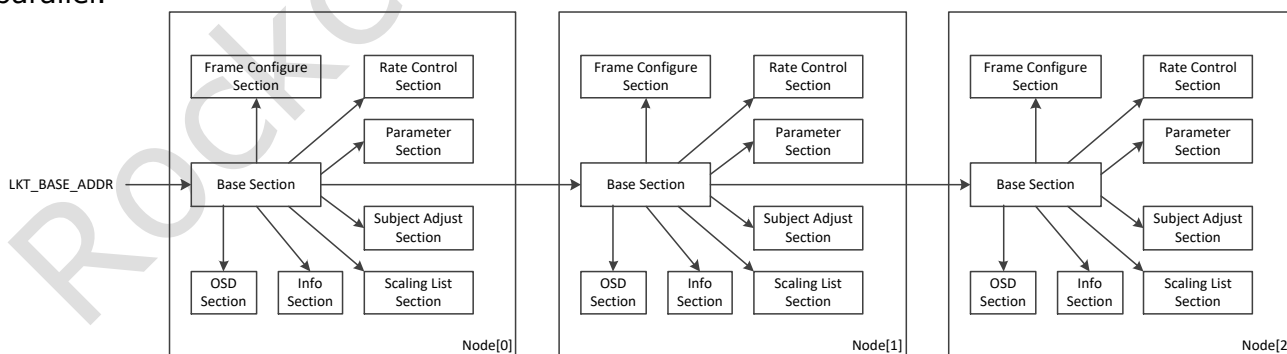


Fig. 5-16 VEPU mode mode

All the configurations for each frame encoding are organized into a Node, and the configurations in each Node are classified into different sections. There're 7 sections for each Nodes:

- Base Section: Contains the information of other sections for current Node and Base Section of the next node, including whether it is valid and the starting address.
- Frame Configure Section: Contains the base frame configurations.

- Rate Control Section: Contains the configurations for Rate Control.
- Parameter Section: Contains the configurations of optional parameters.
- Subjective Adjust Section: Contains the configurations for subjective Quality Adjustment.
- Scaling List Section: Contains the configurations for User Defined Scaling List.
- OSD Section: Contains the configurations for OSD application.
- Info Section: Contains the encoding informations sent out by VEPU.

Table 5-20 Link Table Node Section mapping and size

Section	Size	Corresponding Register Address Offset
Base Section	48 bytes	0x0030~0x0058
Frame Configure Section	384 bytes	0x0280~0x03f8
Rate Control Section	224 bytes	0x1000~0x10e0
Parameter Section	1504 bytes	0x1700~0x1cd4
Subjective Adjust Section	496 bytes	0x2000~0x21e4
Scaling List Section	2720 bytes	0x2200~0x2c98
OSD Section	1152 bytes	0x3000~0x347c
Info Section	32 bytes	0x4000~0x401c

**5.6.8.2 VEPU Buffer Allocation**

User should allocate the following buffers and informs VEPU before the corresponding frame encoding starts.

- Video Source Buffers: They store the encoded frame data and contain 1 to 3 buffers according to different color formats.
- Down Sampled Frame buffers: They store the Down Sampled Frame data for coarse ME, one for current frame if it will be referred while another for the reference frame if current frame contains P slice.
- Reconstruction Frame Buffers: One for current frame if it will be referred by other frames, and another for the reference frame if current frame contains P slice.
- Collocated MV buffers: One for current frame if it will be referred as col-Pic, and another for collocated picture if current frame contains P slice.
- Line Buffer: VEPU uses external space as linebuffer when the width of encoded frame or TILE is greater than 4K.
- TILE Buffer: It contains TILE boundary informations for cross TILE loop filter and frame buffer compression.
- Bitstream Buffer: VEPU stores encoded bitstreams in Bitstream Buffer.
- Motion Information Buffer: VEPU can output ME results for user expanded application.
- Link Table Buffers and ROI Buffers: described in corresponding function chapters.

**5.6.8.2.1 Video Source Buffers**

Depending on different video source format, there're up to 3 buffers should be allocated:

- VSBUF0: start address is configured by VEPU\_ADR\_SRC0
- VSBUF1: start address is configured by VEPU\_ADR\_SRC1
- VSBUF2: start address is configured by VEPU\_ADR\_SRC2

Table 5-21 Video Source Buffer allocation

Color format	Data format	VSBUF0	VSBUF1	VSBUF2
YUV444 8bit	YUV444	ALL		
YUV422 8bit	YUYV	ALL		
	YUV422 Planar	Y	U	V
	YUV422 Semi-Planar	Y	U+V	
	Frame Buffer Compression	Header	Body	
YUV420 8bit	YUV420 Planar	Y	U	V
	YUV420 Semi-Planar	Y	U+V	
	Frame Buffer Compression	Header	Body	
YUV400 8bit	YUV400	Y		
RGB	ARGB8888	ALL		
	RGB888	ALL		

Color format	Data format	VSBUF0	VSBUF1	VSBUF2
	RGB565	ALL		

**5.6.8.2.2 Down Sampled Frame Buffers**

Down-sampled frame buffer is for VEPU coarse motion estimation. If current frame will be referred in subsequent encoding, the down-sampled current frame buffer should be allocated with the start address of VEPU\_ADR\_DSPW. If current frame is P frame, a reference frame buffer should be selected and set the start address to VEPU\_ADR\_DSPR.

The size of Down Sampled Frame Buffer is:

$$((VEPU\_ENC\_RSL.pic\_wd8\_m1+8)/8) \times (VEPU\_ENC\_RSL.pic\_hd8\_m1+2)/2 \times 64\text{Bytes.}$$

Note that the start address of Down Sampled Frame Buffer should be 1KB aligned.

**5.6.8.2.3 Reconstruction Frame Buffers**

Reconstruction Frame Buffer store the reconstructed frame data for motion estimation.

Because Frame Buffer Compression is implemented, each frame buffer has a head portion and a body portion. VEPU\_ADR\_RFPW\_H and VEPU\_ADR\_RFPW\_B should be set to the head portion and body portion start address of current frame buffer separately.

VEPU\_ADR\_RFPR\_H and VEPU\_ADR\_RFPR\_B should be set to the header portion and body portion start address of reference frame buffer.

The size of head portion of current and reference frame buffer is:

$$(((VEPU\_ENC\_RSL.pic\_wd8\_m1+2)/2) \times ((VEPU\_ENC\_RSL.pic\_hd8\_m1+1) \times 2) + 15) / 16 \times 16\text{Bytes.}$$

The size of body portion of current and reference frame buffer is:

$$((VEPU\_ENC\_RSL.pic\_wd8\_m1+2)/2) \times ((VEPU\_ENC\_RSL.pic\_hd8\_m1+1) \times 2) \times 96\text{Bytes.}$$

Note that the head and body start address should be 4K bytes aligned.

**5.6.8.2.4 Collocated Mv Buffers**

Collocated Mv Buffers store the col-mv information for HEVC encoding.

When VEPU\_ME\_CFG.colmv\_stor is 1, VEPU will store the col-mv information of current encoding frame into the Collocated Mv Buffer with the start address of VEPU\_ADR\_CMVW.

When VEPU\_ME\_CFG.colmv\_load is 1, VEPU will load the col-mv information from the Collocated Mv Buffer with the start address of VEPU\_ADR\_CMVR.

The size of Collocated Mv Buffer is calculated by the following function:

$$((VEPU\_ENC\_RSL.pic\_wd8\_m1+8)/8) \times ((VEPU\_ENC\_RSL.pic\_hd8\_m1+8)/8) \times 32\text{Bytes.}$$

Note that the start address should be 1K bytes aligned.

**5.6.8.2.5 Line Buffer**

VEPU uses external memory space as line buffer when the width of encoded TILE or frame is bigger than 4K. The size of Line Buffer is:  $(VEPU\_ENC\_RSL.pic\_wd8\_m1+8)/8 \times 480$  Bytes.

**5.6.8.2.6 TILE Buffer**

VEPU stores the Loop Filter and Frame Buffer Compression Information of the right TILE boundary and load it of the left side. Note that VEPU does not store if current TILE is the rightmost one of the frame, and does not load if current TILE is the leftmost one.

The size of TILE Buffer is:  $(VEPU\_TLIE\_CFG\_HEVC.tile\_h\_m+1) \times 128 \times 16$  Bytes

**5.6.8.2.7 Bitstream Buffer**

VEPU stores the encoding result (bit stream) into bit stream buffer.

There are 4 address pointers for one bit stream buffer management:

- VEPU\_ADR\_BSBT: top address, not included.
- VEPU\_ADR\_BSBB: bottom address, included.
- VEPU\_ADR\_BSBR: read address to avoid overlap.
- VEPU\_ADR\_BSBW: write start address.

Two types of buffer management strategy can be implemented by configuring the four address pointers: single buffer and cyclic buffer management.

Single buffer management allocates a new buffer for each frame while cyclic buffer management allocates a shared cyclic buffer for all encoding frames.

Interrupt VEPU\_INT\_STUS.bs\_ovflr will assert when write address meets read address (which indicates buffer is full) and encoding process is paused. Driver should allocated a new buffer to continue current frame encoding by setting new values to the four address pointers or change buffer read address (read out the bitstream before that), and then the encoding process will continue.

Note that VEPU\_ADR\_BSBW must be configured after the other 3 address pointers.

### 5.6.8.2.8 Motion Information Buffer

When VEPU\_ENC\_PIC.mei\_stor is 1, the Motion Information Buffer should be allocated with the start address of VEPU\_ADR\_MEIW. VEPU stores best motion vector and corresponding SAD into this buffer just for user extended extraction.

The size of Motion Information Buffer is:

$$((VEPU\_ENC\_RSL.pic\_wd8\_m1+32)/32) \times (VEPU\_ENC\_RSL.pic\_hd8\_m1+1) \times 2 \times 64\text{Bytes.}$$

### 5.6.8.3 VEPU ROI Application

VEPU supports block mapping ROI configuration. Each CTU(for HEVC) or MB(for H.264) can be configured by the corresponding structs stored in ROI\_BASE\_BUF, which is called ROI\_BASE\_STRUCT.

The ROI\_BASE\_STRUCT contains the base configuration for each CTU or MB, and the switches for 3 extended ROI configuration structs: ROI\_QP\_STRUCT, ROI\_AMV\_STRUCT and ROI\_FMV\_STRUCT.

#### 5.6.8.3.1 ROI configuration for HEVC

User can specify partition, prediction mode, QP, and Mvs of each CTU though HEVC ROI configuration. The ROI configuration structs and mapping relations are shown in the figure below.

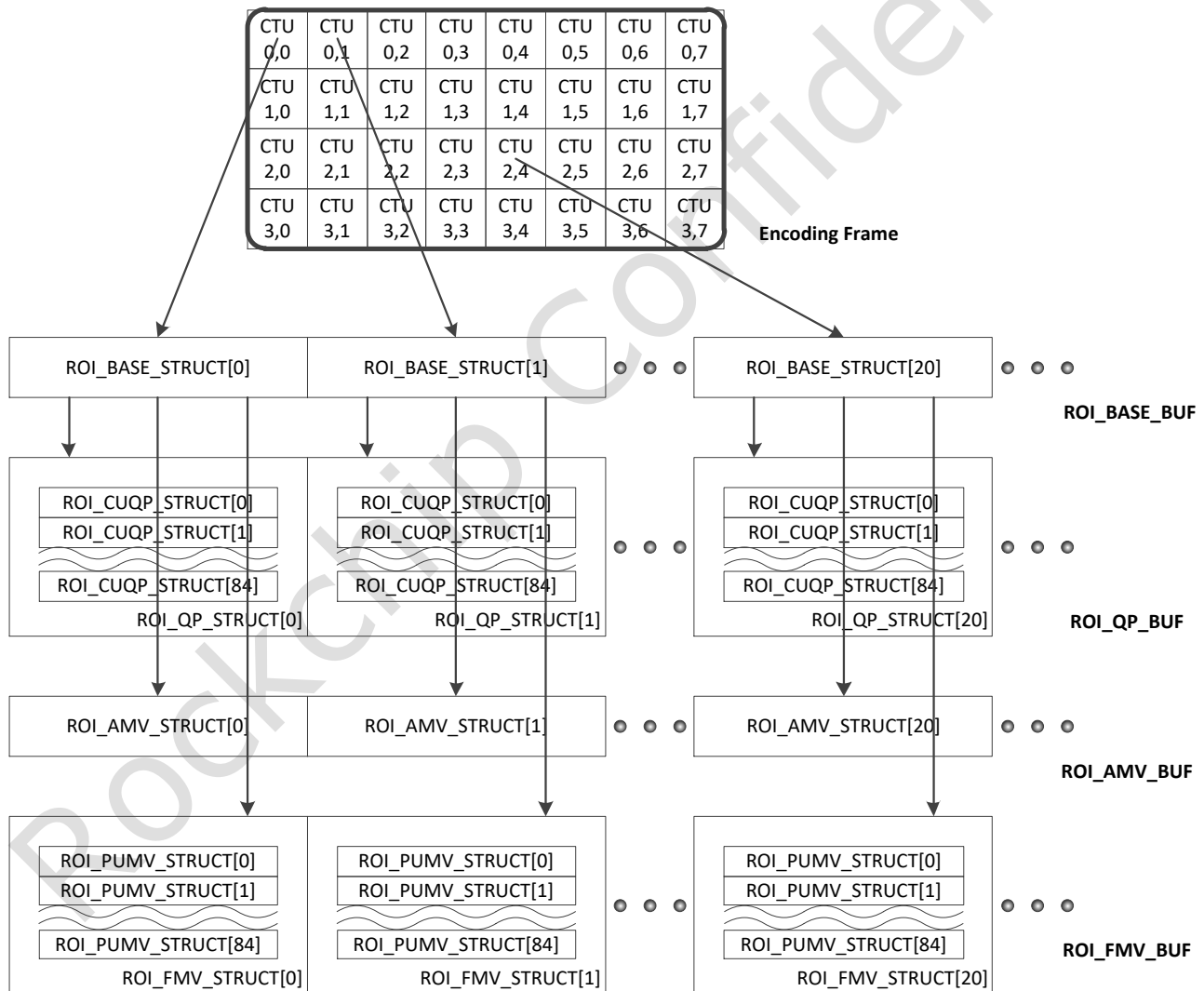


Fig. 5-17 HEVC ROI configuration summary

Each CTU has its corresponding ROI\_BASE\_STRUCT stored in ROI\_BASE\_BUF, it contains the basic ROI configurations as listed in the table below.

Table 5-22 ROI\_BASE\_STRUCT for HEVC

Bit	Field	Description
511	amv_en	Area Mv enable. VEPU will get AMV from ROI_AMV_STRUCT if this field is 1.
510	Reserved	
509:425	qp_adj[85]	QP adjustment enable. VEPU will get the QP adjustment from ROI_QP_STRUCT if the corresponding bit is 1. qp_adj[85]: adjust the QP of CU64 qp_adj[83:80]: adjust the QP of CU32[3~0] qp_adj[79:64]: adjust the QP of CU16[15~0] qp_adj[63:0] : adjust the QP of CU8[63~0]
424:340	force_split[85]	Force CU split if the corresponding bit is 1. force_split[85]: force split of CU64 force_split[83:80]: force split of CU32[3~0] force_split[79:64]: force split of CU16[15~0] force_split[63:0]: reserved
339:170	force_intra[85][1:0]	CU will be encoded as INTRA if the corresponding section is 1. (each section has 2 bits, values of 2 and 3 are reserved) force_intra[85][1:0]: force intra of CU64 force_intra[83:80][1:0]: force intra of CU32[3~0] force_intra[79:64][1:0]: force intra of CU16[15~0] force_intra[63:0][1:0]: force itnra of CU8[63:0]
169:0	force_inter[85][1:0]	CU will be encoded as INTER with Mv(0,0) if corresponding section is 2; with the Mv assigned by ROI_FMV_STRUCT if corresponding section is 3. (value of 1 is reserved). force_inter[85][1:0]: force inter of CU64 force_inter[83:80][1:0]: force inter of CU32[3~0] force_inter[79:64][1:0]: force inter of CU16[15~0] force_inter[63:0][1:0]: force inter of CU8[63~0]

Each CTU has its corresponding ROI\_QP\_STRUCT stored in ROI\_QP\_BUF, it contains 85 CUs' QP configurations which are called ROI\_CUQP\_STRUCT. Considering address alignment, spaces of 96 ROI\_CUQP\_STRUCT are allocated for each ROI\_QP\_STRUCT, and the high 11 of them are reserved. The definition of ROI\_CUQP\_STRUCT is listed in the table below.

Table 5-23 ROI\_CUQP\_SRUCT for HEVC

Bit	Field	Description
15	adj_mode	QP adjustment mode. 0: relative QP adjustment 1: absolute QP adjustment
14:8	qp_value	QP adjustment value. Two's complement.
7:4	qp_clip	The index of QP clipping, values from 0 to 7.
3:0	reserved	

Each CTU has 1 ROI\_AMV\_STRUCT. It specifies a search area for Motion Estimation.



Table 5-24 ROI ROI\_AMV\_STRUCT for HEVC

Bit	Field	Description
31:16	amv_y	The vertical component of area Mv, with 1 pixel accuracy.
15:0	amv_x	The horizontal component of area Mv, with 1 pixel accuracy.

Each CTU has 85 PUs and each PU has its own forced Mv configurations called ROI\_PUMV\_STRUCT. Considering address alignment, spaces of 96 ROI\_PUMV\_STRUCT are allocated for each ROI\_FMV\_STRUCT, and the high 11 of them are reserved. The definition of ROI\_PUMV\_STRUCT is listed in the table below.

Table 5-25 ROI ROI\_PUMV\_STRUCT for HEVC

Bit	Field	Description
31:16	fmv_y	The vertical component of forced Mv, with 1/4 pixel accuracy.
15:0	fmv_x	The horizontal component of forced Mv, with 1/4 pixel accuracy.

### 5.6.8.3.2 ROI configuration for H.264

User can specify partition, encoding mode, QP, and Mvs of each MB though H.264 ROI configuration. The ROI configuration structs and mapping relations are shown in the figure below. In particular, every 4 MBs share one ROI\_AMV\_STRUCT and one ROI\_FMV\_STRUCT.

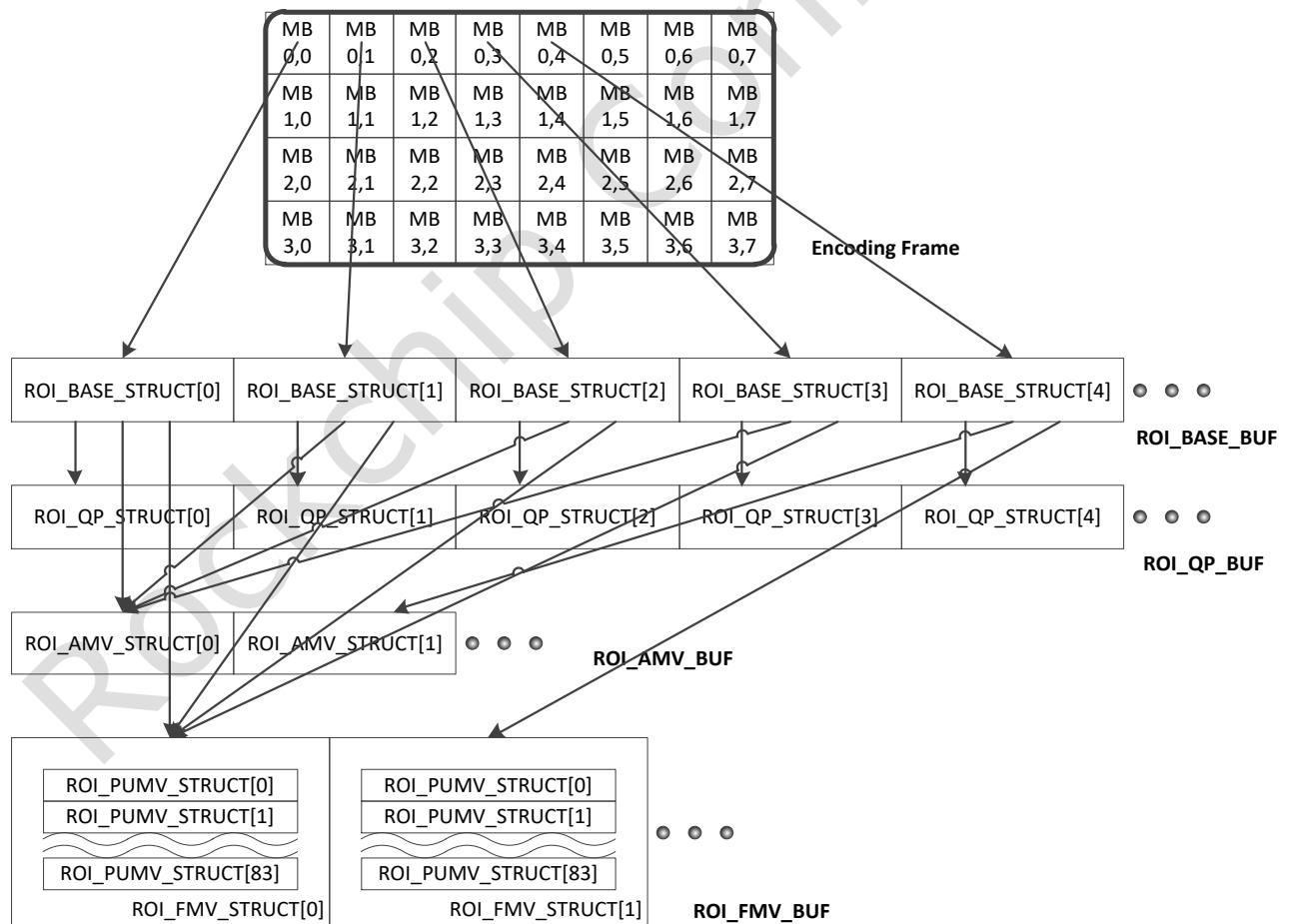


Fig. 5-18 H.264 ROI configuration summary

Each MB has its corresponding ROI\_BASE\_STRUCT stored in ROI\_BASE\_BUF, it contains the basic ROI configurations as listed in the table below.

Table 5-26 ROI\_BASE\_STRUCT for H.264

Bit	Field	Description
63	amv_en	Area Mv enable. VEPU will get AMV from ROI_AMV_STRUCT if this field is 1.
62	qp_adj_en	QP adjustment enable. VEPU will load ROI_QP_STRUCT to get the QP adjustment configurations if this field is 1.
61	force_intra	Force Intra. MB will be encoded as INTRA if this field is 1.
60:51	reserved	
50:42	mode_mask[8:0]	Mode Mask. Disable the encoding mode if corresponding bit is 1. mode_mask[8]: disable inter4x4 mode_mask[7]: disable intra4x4 mode_mask[6]: disable intra8x8 mode_mask[5]: disable intra16x16 mode_mask[4]: disable inter8x8 with T4 mode_mask[3]: disable inter8x8 with T8 mode_mask[2]: disable inter16x16 with T4 mode_mask[1]: disable inter16x16 with T8 mode_mask[0]: disable skip mode
41:0	force_inter[21][1:0]	Partition will be encoded as INTER with Mv(0,0) if corresponding section is 2; with the Mv assigned by ROI_FMV_STRUCT if corresponding section is 3. (value of 1 is reserved). force_inter[21][1:0]: force inter of 16x16 partition force_inter[20:16][1:0]: force inter of 8x8 partition[3~0] force_inter[15:0][1:0]: force inter of 4x4 partition[15~0]

Each MB has its corresponding ROI\_QP\_STRUCT stored in ROI\_QP\_BUF, it contains the QP Adjustment Configurations as listed in the table below.

Table 5-27 ROI\_QP\_STRUCT for H.264

Bit	Field	Description
15	adj_mode	QP adjustment mode. 0: relative QP adjustment 1: absolute QP adjustment
14:8	qp_value	QP adjustment value. Two's complement.
7:4	qp_clip	The index of QP clipping, values from 0 to 7.
3:0	reserved	

Every 4 MBs share one ROI\_AMV\_STRUCT. It specifies a search area for Motion Estimation.

Table 5-28 ROI ROI\_AMV\_STRUCT for H.264

Bit	Field	Description
31:16	amv_y	The vertical component of area Mv, with 1 pixel accuracy.
15:0	amv_x	The horizontal component of area Mv, with 1 pixel accuracy.

Each 4 MBs have 84 PU Forced Mv configurations(each MB has 21 Mvs) called ROI\_PUMV\_STRUCT. Considering address alignment, spaces of 96 ROI\_PUMV\_STRUCT are

allocated for each ROI\_FMV\_STRUCT, and the high 12 of them are reserved. The definition of ROI\_PUMV\_STRUCT is listed in the table below.

Table 5-29 ROI ROI\_PUMV\_STRUCT for H.264

<b>Bit</b>	<b>Field</b>	<b>Description</b>
31:16	fmv_y	The vertical component of forced Mv, with 1/4 pixel accuracy.
15:0	fmv_x	The horizontal component of forced Mv, with 1/4 pixel accuracy.

Rockchip Confidential

## Chapter 6 General Register Files (GRF)

### 6.1 Overview

The general register file will be used to do static setting by software, which is composed of many registers for system control. The GRF is located at several addresses.

### 6.2 Function Description

The function of general register file is:

- GPIO IOMUX control
- GPIO PAD control
- Common system control
- Record the system state

Table 6-1 GRF Address Mapping Table

Name	Address Base
PMU0_GRF	0xFD588000
PMU1_GRF	0xFD58A000
SYS_GRF	0xFD58C000
BIGCORE0_GRF	0xFD590000
BIGCORE1_GRF	0xFD592000
LITCORE_GRF	0xFD594000
DSU_GRF	0xFD598000
DDR01_GRF	0xFD59C000
DDR23_GRF	0xFD59D000
CENTER_GRF	0xFD59E000
GPU_GRF	0xFD5A0000
NPU_GRF	0xFD5A2000
VOP_GRF	0xFD5A4000
VO0_GRF	0xFD5A6000
VO1_GRF	0xFD5A8000
USB_GRF	0xFD5AC000
PHP_GRF	0xFD5B0000
CSIDPHY0_GRF	0xFD5B4000
CSIDPHY1_GRF	0xFD5B5000
PCIe3PHY_GRF	0xFD5B8000
PIPE_PHY0_GRF	0xFD5BC000
PIPE_PHY1_GRF	0xFD5C0000
PIPE_PHY2_GRF	0xFD5C4000
USBDPPHY0_GRF	0xFD5C8000
USBDPPHY1_GRF	0xFD5CC000
USB2PHY0_GRF	0xFD5D0000
USB2PHY1_GRF	0xFD5D4000
USB2PHY2_GRF	0xFD5D8000
USB2PHY3_GRF	0xFD5DC000
HDPTXPHY0_GRF	0xFD5E0000
HDPTXPHY1_GRF	0xFD5E4000
MIPICDPHY0_GRF	0xFD5E8000
MIPICDPHY1_GRF	0xFD5EC000
PMU1_IOC	0xFD5F0000
PMU2_IOC	0xFD5F4000
BUS_IOC	0xFD5F8000
VCCIO1_4_IOC	0xFD5F9000
VCCIO3_5_IOC	0xFD5FA000
VCCIO2_IOC	0xFD5FB000

Name	Address Base
VCCIO6_IOC	0xFD5FC000
EMMC_IOC	0xFD5FD000

## 6.3 PMU0\_GRF Register Description

### 6.3.1 Registers Summary

Name	Offset	Size	Reset Value	Description
PMU0_GRF_SOC_CON0	0x0000	W	0x00000001	System control register 0
PMU0_GRF_SOC_CON1	0x0004	W	0x00000000	System control register 1
PMU0_GRF_SOC_CON2	0x0008	W	0x00001410	System control register 2
PMU0_GRF_SOC_CON3	0x000C	W	0x00000000	System control register 3
PMU0_GRF_IO_RET_CON0	0x0020	W	0x00000000	IO retention control register 0
PMU0_GRF_IO_RET_CON1	0x0024	W	0x00000000	IO retention control register 1
PMU0_GRF_OS_REG8	0x0080	W	0x00000000	Operation system register 8
PMU0_GRF_OS_REG9	0x0084	W	0x00000000	Operation system register 9
PMU0_GRF_OS_REG10	0x0088	W	0x00000000	Operation system register 10
PMU0_GRF_OS_REG11	0x008C	W	0x00000000	Operation system register 11

Notes: **Size: B**- Byte (8 bits) access, **HW**- Half WORD (16 bits) access, **W**-WORD (32 bits) access, **DW**- Double WORD (64 bits) access

### 6.3.2 Detail Registers Description

#### PMU0\_GRF\_SOC\_CON0

Address: Operational Base + offset (0x0000)

Bit	Attr	Reset Value	Description
31:16	WO	0x0000	write_enable Write enable for lower 16 bits, each bit is individual. 1'b0: Write access disable 1'b1: Write access enable
15	RW	0x0	clk_ref_mipi_dcphy0_sel Clock source selection for clk_ref_mipi_dcphy0. 1'b0: Select from generated clock 1'b1: Select from oscillator
14	RW	0x0	clk_cr_para_sel Clock source selection for clk_cr_para. 1'b0: Select from inverter of oscillator 1'b1: Select from generated clock
13:11	RO	0x0	reserved
10	RW	0x0	clk_battery_pwrup_gate_en Enable clock gating for battery power up logic. 1'b0: Disable 1'b1: Enable
9	RW	0x0	resetrn_battery_pwrup_hold_ena Enable reset hold for battery power up logic. 1'b0: Disable 1'b1: Enable
8	RW	0x0	dbclk_gpio0_sel Clock source selection for dbclk_gpio0. 1'b0: Select from oscillator 1'b1: Select from clk_deepslow

Bit	Attr	Reset Value	Description
7	RO	0x0	reserved
6:5	RW	0x0	clk_deepslow_sel Clock source selection for clk_deepslow. 2'h0: Select from divider output of oscillator 2'h1: Select from external IO clock 2'h2: Select from divider output of PMU_PVTM Others: Reserved
4:1	RO	0x0	reserved
0	RW	0x1	pd_pmu1_repair_enable Enable memory repair for PD_PMU1. 1'b0: Disable 1'b1: Enable

**PMU0 GRF SOC CON1**

Address: Operational Base + offset (0x0004)

Bit	Attr	Reset Value	Description
31:16	WO	0x0000	write_enable Write enable for lower 16 bits, each bit is individual. 1'b0: Write access disable 1'b1: Write access enable
15	RW	0x0	presetn_pmu0_ioc_hold_ena Enable reset hold for presetn_pmu0_ioc. 1'b0: Disable 1'b1: Enable
14	RW	0x0	presetn_pmu0_grf_hold_ena Enable reset hold for presetn_pmu0_grf. 1'b0: Disable 1'b1: Enable
13	RW	0x0	presetn_gpio0_hold_ena Enable reset hold for presetn_gpio0. 1'b0: Disable 1'b1: Enable
12	RW	0x0	dbresetn_gpio0_hold_ena Enable reset hold for dbresetn_gpio0. 1'b0: Disable 1'b1: Enable
11:0	RW	0x000	pmupvtm_clkout_div Clock divide factor for clock generated by PMU_PVTM

**PMU0 GRF SOC CON2**

Address: Operational Base + offset (0x0008)

Bit	Attr	Reset Value	Description
31:16	WO	0x0000	write_enable Write enable for lower 16 bits, each bit is individual. 1'b0: Write access disable 1'b1: Write access enable
15:14	RO	0x0	reserved

Bit	Attr	Reset Value	Description
13:0	RW	0x1410	pmu0_mem_cfg_hdsprf Interface configuration for HDSPRF type memory in PD_PMU0. Bit[0]: TEST1 Bit[1]: TEST_RNM Bit[4:2]: RM Bit[5]: WMD Bit[7]: LS Bit[11:10]: WPULSE Bit[13:12]: RA Other bits: Reserved

**PMU0 GRF SOC CON3**

Address: Operational Base + offset (0x000C)

Bit	Attr	Reset Value	Description
31:16	WO	0x0000	write_enable Write enable for lower 16 bits, each bit is individual. 1'b0: Write access disable 1'b1: Write access enable
15:11	RO	0x00	reserved
10	RW	0x0	pmic_int_pol Polarity of PMIC int. 1'b0: High active 1'b1: Low active
9	RW	0x0	pmic1_sleep_pol Polarity of pmic1_sleep. 1'b0: High active 1'b1: Low active
8	RW	0x0	pmic0_sleep_pol Polarity of pmic0_sleep. 1'b0: High active 1'b1: Low active
7:4	RW	0x0	pmic1_sleep_iout_sel Source selection for pmic1_sleep. 4'h1: VD_NPU power off request 4'h2: VD_GPU power off request 4'h3: VD_BIGCORE0 power off request 4'h4: VD_BIGCORE1 power off request 4'h5: VD_DSU power off request 4'h6: VD_VCODEC power off request 4'h7: VD_DDR power off request 4'h8: Low power mode or deep low power mode 4'h9: Chip reset output 4'ha: Deep low power mode 4'hb: Low power mode Default: Reserved

Bit	Attr	Reset Value	Description
3:0	RW	0x0	pmic0_sleep_iout_sel Source selection for pmic0_sleep. 4'h1: VD_NPU power off request 4'h2: VD_GPU power off request 4'h3: VD_BIGCORE0 power off request 4'h4: VD_BIGCORE1 power off request 4'h5: VD_DSU power off request 4'h6: VD_VCODEC power off request 4'h7: VD_DDR power off request 4'h8: Low power mode or deep low power mode 4'h9: Chip reset output 4'ha: Deep low power mode 4'hb: Low power mode Default: Reserved

**PMU0 GRF IO RET CON0**

Address: Operational Base + offset (0x0020)

Bit	Attr	Reset Value	Description
31:16	WO	0x0000	write_enable Write enable for lower 16 bits, each bit is individual. 1'b0: Write access disable 1'b1: Write access enable
15:8	RO	0x00	reserved
7	RW	0x0	pmuio2_ret_ena Enable PMUIO2 retention mode by hardware. 1'b0: Disable 1'b1: Enable
6	RW	0x0	vccio6_ret_ena Enable VCCIO6 retention mode by hardware. 1'b0: Disable 1'b1: Enable
5	RW	0x0	vccio5_ret_ena Enable VCCIO5 retention mode by hardware. 1'b0: Disable 1'b1: Enable
4	RW	0x0	vccio4_ret_ena Enable VCCIO4 retention mode by hardware. 1'b0: Disable 1'b1: Enable
3	RW	0x0	vccio3_ret_ena Enable VCCIO3 retention mode by hardware. 1'b0: Disable 1'b1: Enable
2	RW	0x0	vccio2_ret_ena Enable VCCIO2 retention mode by hardware. 1'b0: Disable 1'b1: Enable
1	RW	0x0	vccio1_ret_ena Enable VCCIO1 retention mode by hardware. 1'b0: Disable 1'b1: Enable
0	RW	0x0	emmcio_ret_ena Enable EMMCIO retention mode by hardware. 1'b0: Disable 1'b1: Enable



**PMU0 GRF IO RET CON1**

Address: Operational Base + offset (0x0024)

Bit	Attr	Reset Value	Description
31:16	WO	0x0000	write_enable Write enable for lower 16 bits, each bit is individual. 1'b0: Write access disable 1'b1: Write access enable
15:8	RO	0x00	reserved
7	RW	0x0	pmuio2_ret_sftena Enable PMUIO2 retention mode by software. 1'b0: Disable 1'b1: Enable
6	RW	0x0	vccio6_ret_sftena Enable VCCIO1 retention mode by software. 1'b0: Disable 1'b1: Enable
5	RW	0x0	vccio5_ret_sftena Enable VCCIO5 retention mode by software. 1'b0: Disable 1'b1: Enable
4	RW	0x0	vccio4_ret_sftena Enable VCCIO4 retention mode by software. 1'b0: Disable 1'b1: Enable
3	RW	0x0	vccio3_ret_sftena Enable VCCIO3 retention mode by software. 1'b0: Disable 1'b1: Enable
2	RW	0x0	vccio2_ret_sftena Enable VCCIO2 retention mode by software. 1'b0: Disable 1'b1: Enable
1	RW	0x0	vccio1_ret_sftena Enable VCCIO1 retention mode by software. 1'b0: Disable 1'b1: Enable
0	RW	0x0	emmcio_ret_sftena Enable EMMCIO retention mode by software. 1'b0: Disable 1'b1: Enable

**PMU0 GRF OS REG8**

Address: Operational Base + offset (0x0080)

Bit	Attr	Reset Value	Description
31:0	RW	0x00000000	os_reg Operation system register

**PMU0 GRF OS REG9**

Address: Operational Base + offset (0x0084)

Bit	Attr	Reset Value	Description
31:0	RW	0x00000000	os_reg Operation system register

**PMU0 GRF OS REG10**

Address: Operational Base + offset (0x0088)

Bit	Attr	Reset Value	Description
31:0	RW	0x00000000	os_reg Operation system register

**PMU0 GRF OS REG11**

Address: Operational Base + offset (0x008C)

Bit	Attr	Reset Value	Description
31:0	RW	0x00000000	os_reg Operation system register

## 6.4 PMU1\_GRF Register Description

### 6.4.1 Registers Summary

Name	Offset	Size	Reset Value	Description
<u>PMU1GRF SOC CON0</u>	0x0000	W	0x00000210	System control register 0
<u>PMU1GRF SOC CON1</u>	0x0004	W	0x00000000	System control register 1
<u>PMU1GRF SOC CON2</u>	0x0008	W	0x00000000	System control register 2
<u>PMU1GRF SOC CON3</u>	0x000C	W	0x00000000	System control register 3
<u>PMU1GRF SOC CON4</u>	0x0010	W	0x0000000F	System control register 4
<u>PMU1GRF SOC CON5</u>	0x0014	W	0x00000000	System control register 5
<u>PMU1GRF SOC CON6</u>	0x0018	W	0x00000FF0	System control register 6
<u>PMU1GRF SOC CON7</u>	0x001C	W	0x00000000	System control register 7
<u>PMU1GRF SOC CON8</u>	0x0020	W	0x00000000	System control register 8
<u>PMU1GRF SOC CON9</u>	0x0024	W	0x00000000	System control register 9
<u>PMU1GRF SOC CON10</u>	0x0028	W	0x00000FF0	System control register 10
<u>PMU1GRF SOC CON11</u>	0x002C	W	0xFFFFFFFF	System control register 11
<u>PMU1GRF BIU CON</u>	0x0050	W	0x00000000	BIU interface control register
<u>PMU1GRF BIU STS</u>	0x0054	W	0x00000000	BIU interface status register
<u>PMU1GRF SOC STS</u>	0x0060	W	0x00000000	System status register
<u>PMU1GRF MEM CON0</u>	0x0080	W	0x00001410	Memory interface control register 0
<u>PMU1GRF MEM CON1</u>	0x0084	W	0x00001410	Memory interface control register 1
<u>PMU1GRF MEM CON2</u>	0x0088	W	0x00008010	Memory interface control register 2
<u>PMU1GRF MEM CON3</u>	0x008C	W	0x00000010	Memory interface control register 3
<u>PMU1GRF OS REG0</u>	0x0200	W	0x00000000	Operation system register 0
<u>PMU1GRF OS REG1</u>	0x0204	W	0x00000000	Operation system register 1
<u>PMU1GRF OS REG2</u>	0x0208	W	0x00000000	Operation system register 2
<u>PMU1GRF OS REG3</u>	0x020C	W	0x00000000	Operation system register 3
<u>PMU1GRF OS REG4</u>	0x0210	W	0x00000000	Operation system register 4
<u>PMU1GRF OS REG5</u>	0x0214	W	0x00000000	Operation system register 5
<u>PMU1GRF OS REG6</u>	0x0218	W	0x00000000	Operation system register 6
<u>PMU1GRF OS REG7</u>	0x021C	W	0x00000000	Operation system register 7
<u>PMU1GRF RST STS</u>	0x0230	W	0x00000000	System reset status register
<u>PMU1GRF RST CLR</u>	0x0234	W	0x00000000	System reset status clear register
<u>PMU1GRF SD DETECT CON</u>	0x0380	W	0x00000000	SDMMC detect control register
<u>PMU1GRF SD DETECT STS</u>	0x0390	W	0x00000000	SDMMC detect status register

Name	Offset	Size	Reset Value	Description
PMU1GRF_SD_DETECT_CLR	0x03A0	W	0x00000000	SDMMC detect clear register
PMU1GRF_SD_DETECT_CNT	0x03B0	W	0x000003E8	SDMMC detect count register

Notes: **B**- Byte (8 bits) access, **HW**- Half WORD (16 bits) access, **W**-WORD (32 bits) access, **DW**- Double WORD (64 bits) access

## 6.4.2 Detail Registers Description

### PMU1GRF\_SOC\_CON0

Address: Operational Base + offset (0x0000)

Bit	Attr	Reset Value	Description
31:16	WO	0x0000	write_enable Write enable for lower 16 bits, each bit is individual. 1'b0: Write access disable 1'b1: Write access enable
15:12	RO	0x0	reserved
11	RW	0x0	force_jtag_uart Enable GPIO0b5 and GPIO0b6 switch to JTAG function if uart2_rx low last for a specified period of time. 1'b0: Disable 1'b1: Enable
10	RO	0x0	reserved
9	RW	0x1	clk_spll_ls_sel Path selection for SPLL clock output. 1'b0: Normal 1'b1: Through level-shift cell
8	RW	0x0	sdmmc_det_masked_pin_sel Polarity selection for sdmmc_det_masked_pin. 1'b0: Low active 1'b1: High active
7	RO	0x0	reserved
6	RW	0x0	i2s1_8ch_mclkout_oe Output enable for i2s1_8ch_mclkout. 1'b0: Disable 1'b1: Enable
5	RW	0x0	wakeup_timer_sel Select PMU_TIMER interrupt as PMU wake up source. 1'b0: PMU_TIMER interrupt 0 selected 1'b1: PMU_TIMER interrupt 1 selected
4	RW	0x1	clk_cpll_ls_sel Path selection for CPLL clock output. 1'b0: Normal 1'b1: Through level-shift cell
3	RW	0x0	pmu_pwr_idlreq Enable PD_PMU1 idle request by software. 1'b0: Disable 1'b1: Enable
2	RW	0x0	pmuwdt_pause PMU_WDT wdt pause enable. It is used to freeze the watchdog counter during pause mode 1'b0: Disable 1'b1: Enable

Bit	Attr	Reset Value	Description
1	RW	0x0	uart0_cts_inv Polarity selection for uart0_cts. 1'b0: Low active 1'b1: High active
0	RW	0x0	uart0_rts_inv Polarity selection for uart0_rts. 1'b0: Low active 1'b1: High active

**PMU1GRF SOC CON1**

Address: Operational Base + offset (0x0004)

Bit	Attr	Reset Value	Description
31:16	WO	0x0000	write_enable Write enable for lower 16 bits, each bit is individual. 1'b0: Write access disable 1'b1: Write access enable
15:0	RW	0x0000	reset_width The chip output reset width, equals to reset_width*256.

**PMU1GRF SOC CON2**

Address: Operational Base + offset (0x0008)

Bit	Attr	Reset Value	Description
31:16	WO	0x0000	write_enable Write enable for lower 16 bits, each bit is individual. 1'b0: Write access disable 1'b1: Write access enable
15	RW	0x0	pwr3_sleep_sftena Enable pwr3_sleep by software. 1'b0: Disable 1'b1: Enable
14:12	RW	0x0	pwr3_sleep_iout_sel Source selection for pwr3_sleep. 3'h1: VD_NPU power off request 3'h2: VD_GPU power off request 3'h3: VD_BIGCORE0 power off request 3'h4: VD_BIGCORE1 power off request 3'h5: VD_DSU power off request 3'h6: VD_VCODEC power off request 3'h7: VD_DDR power off request Default: Controlled by pwr3_sleep_sftena
11	RW	0x0	pwr2_sleep_sftena Enable pwr2_sleep by software. 1'b0: Disable 1'b1: Enable
10:8	RW	0x0	pwr2_sleep_iout_sel Source selection for pwr2_sleep. 3'h1: VD_NPU power off request 3'h2: VD_GPU power off request 3'h3: VD_BIGCORE0 power off request 3'h4: VD_BIGCORE1 power off request 3'h5: VD_DSU power off request 3'h6: VD_VCODEC power off request 3'h7: VD_DDR power off request Default: Controlled by pwr2_sleep_sftena

Bit	Attr	Reset Value	Description
7	RW	0x0	pwr1_sleep_sftena Enable pwr1_sleep by software. 1'b0: Disable 1'b1: Enable
6:4	RW	0x0	pwr1_sleep_iout_sel Source selection for pwr1_sleep. 3'h1: VD_NPU power off request 3'h2: VD_GPU power off request 3'h3: VD_BIGCORE0 power off request 3'h4: VD_BIGCORE1 power off request 3'h5: VD_DSU power off request 3'h6: VD_VCODEC power off request 3'h7: VD_DDR power off request Default: Controlled by pwr1_sleep_sftena
3	RW	0x0	pwr0_sleep_sftena Enable pwr0_sleep by software. 1'b0: Disable 1'b1: Enable
2:0	RW	0x0	pwr0_sleep_iout_sel Source selection for pwr0_sleep. 3'h1: VD_NPU power off request 3'h2: VD_GPU power off request 3'h3: VD_BIGCORE0 power off request 3'h4: VD_BIGCORE1 power off request 3'h5: VD_DSU power off request 3'h6: VD_VCODEC power off request 3'h7: VD_DDR power off request Default: Controlled by pwr0_sleep_sftena

**PMU1GRF SOC CON3**

Address: Operational Base + offset (0x000C)

Bit	Attr	Reset Value	Description
31:16	WO	0x0000	write_enable Write enable for lower 16 bits, each bit is individual. 1'b0: Write access disable 1'b1: Write access enable
15:5	RO	0x000	reserved
4	RW	0x0	wdt_reset_trigger_en Enable WDT reset trigger for DDR fail safe. 1'b0: Disable 1'b1: Enable
3:1	RO	0x0	reserved
0	RW	0x0	tsadc_shut_reset_trigger_en Enable TSADC shut reset trigger for DDR fail safe. 1'b0: Disable 1'b1: Enable

**PMU1GRF SOC CON4**

Address: Operational Base + offset (0x0010)

Bit	Attr	Reset Value	Description
31:16	WO	0x0000	write_enable Write enable for lower 16 bits, each bit is individual. 1'b0: Write access disable 1'b1: Write access enable

Bit	Attr	Reset Value	Description
15:12	RW	0x0	ddrio_rstiov_enter_ena Enable DDR IO enter retention mode through RSTIOV by hardware for DDR fail safe. 1'b0: Disable 1'b1: Enable Bit[12] used for DDR channel 0. Bit[13] used for DDR channel 1. Bit[14] used for DDR channel 2. Bit[15] used for DDR channel 3. When RSTIOV mode selected, the corresponding bit of ddrio_ret_enter_ena should be set to 1.
11:4	RO	0x00	reserved
3:0	RW	0xf	ddrio_ret_enter_ena Enable DDR IO enter retention mode through RETON/RETOFF or RSTIOV by hardware for DDR fail safe. 1'b0: Disable 1'b1: Enable Bit[0] used for DDR channel 0. Bit[1] used for DDR channel 1. Bit[2] used for DDR channel 2. Bit[3] used for DDR channel 3.

**PMU1GRF SOC CON5**

Address: Operational Base + offset (0x0014)

Bit	Attr	Reset Value	Description
31:16	WO	0x0000	write_enable Write enable for lower 16 bits, each bit is individual. 1'b0: Write access disable 1'b1: Write access enable
15:12	RW	0x0	ddrio_rstiov_enter_sftena Enable DDR IO enter retention mode through RSTIOV by software for DDR fail safe. 1'b0: Disable 1'b1: Enable Bit[12] used for DDR channel 0. Bit[13] used for DDR channel 1. Bit[14] used for DDR channel 2. Bit[15] used for DDR channel 3.
11:4	RO	0x00	reserved
3:0	RW	0x0	ddrio_reton_enter_sftena Enable DDR IO enter retention mode through RETON/RETOFF by software for DDR fail safe. 1'b0: Disable 1'b1: Enable Bit[0] used for DDR channel 0. Bit[1] used for DDR channel 1. Bit[2] used for DDR channel 2. Bit[3] used for DDR channel 3.

**PMU1GRF SOC CON6**

Address: Operational Base + offset (0x0018)

Bit	Attr	Reset Value	Description
31:16	WO	0x0000	write_enable Write enable for lower 16 bits, each bit is individual. 1'b0: Write access disable 1'b1: Write access enable
15:12	RW	0x0	upctl_c_sysreq_sftena Enable for DDRC hardware low-power clock request by software. 1'b0: Disable 1'b1: Enable Bit[11] used for DDR channel 0. Bit[12] used for DDR channel 1. Bit[13] used for DDR channel 2. Bit[14] used for DDR channel 3.
11:8	RW	0xf	ddrc_c_gating_en Enable DDRCTRL's core-clock auto clock gating for DDR fail safe. 1'b0: Disable 1'b1: Enable Bit[8] used for DDR channel 0. Bit[9] used for DDR channel 1. Bit[10] used for DDR channel 2. Bit[11] used for DDR channel 3.
7:4	RW	0xf	sref_c_enter_en Enable DDR self-refresh mode for core-clock domain by hardware for DDR fail safe. 1'b0: Disable 1'b1: Enable Bit[4] used for DDR channel 0. Bit[5] used for DDR channel 1. Bit[6] used for DDR channel 2. Bit[7] used for DDR channel 3.
3:0	RW	0x0	ddrio_ret_exit_ena Enable DDR IO exit retention mode through RETON/RETOFF or RSTIOV by hardware for DDR fail safe. 1'b0: Disable 1'b1: Enable Bit[0] used for DDR channel 0. Bit[1] used for DDR channel 1. Bit[2] used for DDR channel 2. Bit[3] used for DDR channel 3.

**PMU1GRF SOC CON7**

Address: Operational Base + offset (0x001C)

Bit	Attr	Reset Value	Description
31:16	WO	0x0000	write_enable Write enable for lower 16 bits, each bit is individual. 1'b0: Write access disable 1'b1: Write access enable
15	RW	0x0	presetn_pmu_pwm_hold_ena Enable reset hold for presetn_pmu_pwm. 1'b0: Disable 1'b1: Enable
14	RW	0x0	presetn_pmu1_biu_hold_ena Enable reset hold for presetn_pmu1_biu. 1'b0: Disable 1'b1: Enable

Bit	Attr	Reset Value	Description
13	RW	0x0	presetn_pmu1_ioc_hold_ena Enable reset hold for presetn_pmu1_ioc. 1'b0: Disable 1'b1: Enable
12	RW	0x0	presetn_pmu1_grf_hold_ena Enable reset hold for presetn_pmu1_grf. 1'b0: Disable 1'b1: Enable
11	RW	0x0	presetn_i2c0_hold_ena Enable reset hold for presetn_i2c0. 1'b0: Disable 1'b1: Enable
10	RW	0x0	presetn_pmu1_cru_hold_ena Enable reset hold for presetn_pmu1_cru. 1'b0: Disable 1'b1: Enable
9	RW	0x0	mresetn_mipi_dcphy1_hold_ena Enable reset hold for mresetn_mipi_dcphy1. 1'b0: Disable 1'b1: Enable
8	RW	0x0	mresetn_mipi_dcphy0_hold_ena Enable reset hold for mresetn_mipi_dcphy0. 1'b0: Disable 1'b1: Enable
7	RW	0x0	mresetn_i2s1_8ch_tx_hold_ena Enable reset hold for mresetn_i2s1_8ch_tx. 1'b0: Disable 1'b1: Enable
6	RW	0x0	mresetn_i2s1_8ch_rx_hold_ena Enable reset hold for mresetn_i2s1_8ch_rx. 1'b0: Disable 1'b1: Enable
5	RW	0x0	hresetn_vad_hold_ena Enable reset hold for hresetn_vad. 1'b0: Disable 1'b1: Enable
4	RW	0x0	hresetn_pmu_mcu_biu_hold_ena Enable reset hold for hresetn_pmu_mcu_biu. 1'b0: Disable 1'b1: Enable
3	RW	0x0	hresetn_pmu_biu_hold_ena Enable reset hold for hresetn_pmu_biu. 1'b0: Disable 1'b1: Enable
2	RW	0x0	hresetn_pdm0_hold_ena Enable reset hold for hresetn_pdm0. 1'b0: Disable 1'b1: Enable
1	RW	0x0	hresetn_i2s1_8ch_hold_ena Enable reset hold for hresetn_i2s1_8ch. 1'b0: Disable 1'b1: Enable



Bit	Attr	Reset Value	Description
0	RW	0x0	fresetn_pmu_mcu_hold_ena Enable reset hold for fresetn_pmu_mcu. 1'b0: Disable 1'b1: Enable

**PMU1GRF SOC CONS**

Address: Operational Base + offset (0x0020)

Bit	Attr	Reset Value	Description
31:16	WO	0x0000	write_enable Write enable for lower 16 bits, each bit is individual. 1'b0: Write access disable 1'b1: Write access enable
15	RW	0x0	resetn_pdm0_hold_ena Enable reset hold for resetn_pdm0. 1'b0: Disable 1'b1: Enable
14	RW	0x0	resetn_otgphy_u3_1_hold_ena Enable reset hold for resetn_otgphy_u3_1. 1'b0: Disable 1'b1: Enable
13	RW	0x0	resetn_otgphy_u3_0_hold_ena Enable reset hold for resetn_otgphy_u3_0. 1'b0: Disable 1'b1: Enable
12	RW	0x0	resetn_otgphy_u2_1_hold_ena Enable reset hold for resetn_otgphy_u2_1. 1'b0: Disable 1'b1: Enable
11	RW	0x0	resetn_otgphy_u2_0_hold_ena Enable reset hold for resetn_otgphy_u2_0. 1'b0: Disable 1'b1: Enable
10	RW	0x0	resetn_i2c0_hold_ena Enable reset hold for resetn_i2c0. 1'b0: Disable 1'b1: Enable
9	RW	0x0	resetn_hdptx1_lane_hold_ena Enable reset hold for resetn_hdptx1_lane. 1'b0: Disable 1'b1: Enable
8	RW	0x0	resetn_hdptx1_init_hold_ena Enable reset hold for resetn_hdptx1_init. 1'b0: Disable 1'b1: Enable
7	RW	0x0	resetn_hdptx1_cmn_hold_ena Enable reset hold for resetn_hdptx1_cmn. 1'b0: Disable 1'b1: Enable
6	RW	0x0	resetn_hdptx0_lane_hold_ena Enable reset hold for resetn_hdptx0_lane. 1'b0: Disable 1'b1: Enable

Bit	Attr	Reset Value	Description
5	RW	0x0	resetrn_hdptx0_init_hold_ena Enable reset hold for resetrn_hdptx0_init. 1'b0: Disable 1'b1: Enable
4	RW	0x0	resetrn_hdptx0_cmn_hold_ena Enable reset hold for resetrn_hdptx0_cmn. 1'b0: Disable 1'b1: Enable
3	RW	0x0	resetrn_ddr_fail_safe_hold_ena Enable reset hold for resetrn_ddr_fail_safe. 1'b0: Disable 1'b1: Enable
2	RW	0x0	presetrn_uart0_hold_ena Enable reset hold for presetrn_uart0. 1'b0: Disable 1'b1: Enable
1	RW	0x0	presetrn_pmu_wdt_hold_ena Enable reset hold for presetrn_pmu_wdt. 1'b0: Disable 1'b1: Enable
0	RW	0x0	presetrn_pmu_timer_hold_ena Enable reset hold for presetrn_pmu_timer. 1'b0: Disable 1'b1: Enable

**PMU1GRF SOC CON9**

Address: Operational Base + offset (0x0024)

Bit	Attr	Reset Value	Description
31:16	WO	0x0000	write_enable Write enable for lower 16 bits, each bit is individual. 1'b0: Write access disable 1'b1: Write access enable
15:8	RO	0x00	reserved
7	RW	0x0	tresetrn_pmu_wdt_hold_ena Enable reset hold for tresetrn_pmu_wdt. 1'b0: Disable 1'b1: Enable
6	RW	0x0	tresetrn_pmu_mcu_jtag_hold_ena Enable reset hold for tresetrn_pmu_mcu_jtag. 1'b0: Disable 1'b1: Enable
5	RW	0x0	sresetrn_uart0_hold_ena Enable reset hold for sresetrn_uart0. 1'b0: Disable 1'b1: Enable
4	RW	0x0	sresetrn_mipi_dcphy1_hold_ena Enable reset hold for sresetrn_mipi_dcphy1. 1'b0: Disable 1'b1: Enable
3	RW	0x0	sresetrn_mipi_dcphy0_hold_ena Enable reset hold for sresetrn_mipi_dcphy0. 1'b0: Disable 1'b1: Enable

Bit	Attr	Reset Value	Description
2	RW	0x0	resetrn_pmu_timer1_hold_ena Enable reset hold for resetrn_pmu_timer1. 1'b0: Disable 1'b1: Enable
1	RW	0x0	resetrn_pmu_timer0_hold_ena Enable reset hold for resetrn_pmu_timer0. 1'b0: Disable 1'b1: Enable
0	RW	0x0	resetrn_pmu_pwm_hold_ena Enable reset hold for resetrn_pmu_pwm. 1'b0: Disable 1'b1: Enable

**PMU1GRF SOC CON10**

Address: Operational Base + offset (0x0028)

Bit	Attr	Reset Value	Description
31:16	WO	0x0000	write_enable Write enable for lower 16 bits, each bit is individual. 1'b0: Write access disable 1'b1: Write access enable
15:12	RW	0x0	upctl_a_sysreq_sftena Enable for AXI hardware low-power clock request by software. 1'b0: Disable 1'b1: Enable
11:8	RW	0xf	ddrc_a_gating_en Enable DDRCTRL's AXI-clock auto clock gating for DDR fail safe. 1'b0: Disable 1'b1: Enable
7:4	RW	0xf	sref_a_enter_en Enable DDR self-refresh mode for AXI-clock domain by hardware for DDR fail safe. 1'b0: Disable 1'b1: Enable
3:0	RO	0x0	reserved

**PMU1GRF SOC CON11**

Address: Operational Base + offset (0x002C)

Bit	Attr	Reset Value	Description
31:0	RW	0xffffffff	uart2rx_low_dly uart2_rx low count.

**PMU1GRF BIU CON**

Address: Operational Base + offset (0x0050)

Bit	Attr	Reset Value	Description
31:16	WO	0x0000	write_enable Write enable for lower 16 bits, each bit is individual. 1'b0: Write access disable 1'b1: Write access enable
15:4	RO	0x000	reserved
3	RW	0x0	idle_req_top_sftena Enable sending idle request to BIU_TOP by software. 1'b0: Disable 1'b1: Enable

Bit	Attr	Reset Value	Description
2	RW	0x0	idle_req_bus_sftena Enable sending idle request to BIU_BUS by software. 1'b0: Disable 1'b1: Enable
1:0	RO	0x0	reserved

**PMU1GRF BIU\_STS**

Address: Operational Base + offset (0x0054)

Bit	Attr	Reset Value	Description
31:7	RO	0x0000000	reserved
6	RO	0x0	idle_ack_top BIU_TOP idle acknowledge state. 1'b0: Not acknowledge 1'b1: Acknowledge
5	RO	0x0	idle_top BIU_TOP idle state. 1'b0: Not idle 1'b1: Idle
4	RO	0x0	idle_ack_bus BIU_BUS idle acknowledge state. 1'b0: Not acknowledge 1'b1: Acknowledge
3	RO	0x0	idle_bus BIU_BUS idle state. 1'b0: Not idle 1'b1: Idle
2	RO	0x0	pmu_biu_pwractive Power active status for BIU_PMU. 1'b0: Inactive 1'b1: Active
1	RO	0x0	vad_nopendingtrans No pending transfer status for VAD. 1'b0: Inactive 1'b1: Active
0	RO	0x0	pmu_mcu_nopendingtrans No pending transfer status for PMU_MCU. 1'b0: Inactive 1'b1: Active

**PMU1GRF SOC\_STS**

Address: Operational Base + offset (0x0060)

Bit	Attr	Reset Value	Description
31:14	RO	0x00000	reserved
13	RO	0x0	pmic_int PMIC interrupt status. 1'b0: Inactive 1'b1: Active
12	RO	0x0	pmu1sgrf_crc_chk_rst_req PMU1SGRF CRC check reset status. It is set to 1 if CRC check error. 1'b0: Inactive 1'b1: Active

Bit	Attr	Reset Value	Description
11	RO	0x0	pmu0sgrf_crc_chk_rst_req PMU0SGRF CRC check reset status. It is set to 1 if CRC check error. 1'b0: Inactive 1'b1: Active
10	RO	0x0	pmu_mcu_deepsleep PMU_MCU deep sleep status. 1'b0: Inactive 1'b1: Active
9	RO	0x0	pmu_mcu_sleeping PMU_MCU sleeping status. 1'b0: Inactive 1'b1: Active
8	RO	0x0	pmu_mcu_lockup PMU_MCU lock up status. 1'b0: Inactive 1'b1: Active
7	RO	0x0	pmu_mcu_halted PMU_MCU halt status. 1'b0: Inactive 1'b1: Active
6	RO	0x0	pmu_mcu_cache_flush_ack PMU_MCU cache flush acknowledge. 1'b0: Not acknowledge 1'b1: Acknowledge
5	RO	0x0	pmu_mcu_txev PMU_MCU TXEV status. 1'b0: Inactive 1'b1: Active
4	RO	0x0	vad_dig_mic_sts VAD digital mic status. 1'b0: Inactive 1'b1: Active
3	RO	0x0	pmu_timer1_en_status PMU_TIMER1 enable status. 1'b0: Disable 1'b1: Enable
2	RO	0x0	pmu_timer0_en_status PMU_TIMER0 enable status. 1'b0: Disable 1'b1: Enable
1	RO	0x0	pmu_wdt_sys_rstn PMU_WDT reset request status. 1'b0: Active 1'b1: Inactive
0	RO	0x0	osc_chk_rst_req OSC_CHK reset request status. 1'b0: Inactive 1'b1: Active

**PMU1GRF MEM CON0**

Address: Operational Base + offset (0x0080)

Bit	Attr	Reset Value	Description
31:16	WO	0x0000	write_enable Write enable for lower 16 bits, each bit is individual. 1'b0: Write access disable 1'b1: Write access enable
15:0	RW	0x1410	pmu1_mem_cfg_hdspra Interface configuration for HDSPPRA type memory in PD_PMU1. Bit[0]: TEST1 Bit[1]: TEST_RNM Bit[4:2]: RM Bit[5]: WMD Bit[7]: LS Bit[11:10]: WPULSE Bit[13:12]: RA Other bits: Reserved

**PMU1GRF MEM CON1**

Address: Operational Base + offset (0x0084)

Bit	Attr	Reset Value	Description
31:16	WO	0x0000	write_enable Write enable for lower 16 bits, each bit is individual. 1'b0: Write access disable 1'b1: Write access enable
15:0	RW	0x1410	mem_cfg_hdsprf Interface configuration for HDSPPRF type memory in PD_PMU1. Bit[0]: TEST1 Bit[1]: TEST_RNM Bit[4:2]: RM Bit[5]: WMD Bit[7]: LS Bit[11:10]: WPULSE Bit[13:12]: RA Other bits: Reserved

**PMU1GRF MEM CON2**

Address: Operational Base + offset (0x0088)

Bit	Attr	Reset Value	Description
31:16	WO	0x0000	write_enable Write enable for lower 16 bits, each bit is individual. 1'b0: Write access disable 1'b1: Write access enable
15:0	RW	0x8010	mem_cfg_hsdpra_l16 Lower 16 bits of interface configuration for HSDPRA type memory. Bit[0]: TEST1A Bit[1]: TEST_RNMA Bit[4:2]: RMA Bit[5]: WMDA Bit[7]: LS Bit[11:10]: WPULSE Bit[13:12]: RA Bit[15:14]: WA

**PMU1GRF MEM CON3**

Address: Operational Base + offset (0x008C)

Bit	Attr	Reset Value	Description
31:16	WO	0x0000	write_enable Write enable for lower 16 bits, each bit is individual. 1'b0: Write access disable 1'b1: Write access enable
15:9	RO	0x00	reserved
8:0	RW	0x010	mem_cfg_hsdpra_h9 Higher 9 bits of interface configuration for HSDPRA type memory. Bit[0]: TEST1B Bit[1]: TEST_RNMB Bit[4:2]: RMB Bit[5]: WMDB Other bits: Reserved

**PMU1GRF OS REG0**

Address: Operational Base + offset (0x0200)

Bit	Attr	Reset Value	Description
31:0	RW	0x00000000	os_reg Operation system register

**PMU1GRF OS REG1**

Address: Operational Base + offset (0x0204)

Bit	Attr	Reset Value	Description
31:0	RW	0x00000000	os_reg Operation system register

**PMU1GRF OS REG2**

Address: Operational Base + offset (0x0208)

Bit	Attr	Reset Value	Description
31:0	RW	0x00000000	os_reg Operation system register

**PMU1GRF OS REG3**

Address: Operational Base + offset (0x020C)

Bit	Attr	Reset Value	Description
31:0	RW	0x00000000	os_reg Operation system register

**PMU1GRF OS REG4**

Address: Operational Base + offset (0x0210)

Bit	Attr	Reset Value	Description
31:0	RW	0x00000000	os_reg Operation system register

**PMU1GRF OS REG5**

Address: Operational Base + offset (0x0214)

Bit	Attr	Reset Value	Description
31:0	RW	0x00000000	os_reg Operation system register

**PMU1GRF OS REG6**

Address: Operational Base + offset (0x0218)

Bit	Attr	Reset Value	Description
31:0	RW	0x00000000	os_reg Operation system register

**PMU1GRF OS REG7**

Address: Operational Base + offset (0x021C)

Bit	Attr	Reset Value	Description
31:0	RW	0x00000000	os_reg Operation system register

**PMU1GRF RST STS**

Address: Operational Base + offset (0x0230)

Bit	Attr	Reset Value	Description
31:7	RO	0x00000000	reserved
6	RO	0x0	ddrio_ch3_ret_failsafe_sts DDRIO channel 3 retention status under DDR fail safe condition. 1'b0: Inactive 1'b1: Active
5	RO	0x0	ddrio_ch2_ret_failsafe_sts DDRIO channel 2 retention status under DDR fail safe condition. 1'b0: Inactive 1'b1: Active
4	RO	0x0	ddrio_ch1_ret_failsafe_sts DDRIO channel 1 retention status under DDR fail safe condition. 1'b0: Inactive 1'b1: Active
3	RO	0x0	ddrio_ch0_ret_failsafe_sts DDRIO channel 0 retention status under DDR fail safe condition. 1'b0: Inactive 1'b1: Active
2	RO	0x0	tsadc_shut_sts TSADC shut status. 1'b0: Inactive 1'b1: Active
1	RO	0x0	wdt_reset_sts WDT reset status. 1'b0: Inactive 1'b1: Active
0	RO	0x0	first_reset_sts First reset status. 1'b0: Inactive 1'b1: Active

**PMU1GRF RST CLR**

Address: Operational Base + offset (0x0234)

Bit	Attr	Reset Value	Description
31:7	RO	0x00000000	reserved
6	WO	0x0	ddrio_ch3_ret_failsafe_clr Enable clear for DDRIO channel 3 retention status under DDR fail safe condition. 1'b0: Disable 1'b1: Enable
5	WO	0x0	ddrio_ch2_ret_failsafe_clr Enable clear for DDRIO channel 2 retention status under DDR fail safe condition. 1'b0: Disable 1'b1: Enable



Bit	Attr	Reset Value	Description
4	WO	0x0	ddrio_ch1_ret_failsafe_clr Enable clear for DDRIO channel 1 retention status under DDR fail safe condition. 1'b0: Disable 1'b1: Enable
3	WO	0x0	ddrio_ch0_ret_failsafe_clr Enable clear for DDRIO channel 0 retention status under DDR fail safe condition. 1'b0: Disable 1'b1: Enable
2	WO	0x0	tsadc_reset_clr Enable clear for TSADC shut status. 1'b0: Disable 1'b1: Enable
1	WO	0x0	wdt_reset_clr Enable clear for WDT reset status. 1'b0: Disable 1'b1: Enable
0	WO	0x0	first_reset_clr Enable clear for first reset status. 1'b0: Disable 1'b1: Enable

**PMU1GRF SD DETECT CON**

Address: Operational Base + offset (0x0380)

Bit	Attr	Reset Value	Description
31:16	WO	0x0000	write_enable Write enable for lower 16 bits, each bit is individual. 1'b0: Write access disable 1'b1: Write access enable
15:2	RO	0x0000	reserved
1	RW	0x0	sd_detect_fall_en Enable SDMMC detect pin falling edge interrupt. 1'b0: Disable 1'b1: Enable
0	RW	0x0	sd_detect_rise_en Enable SDMMC detect pin rising edge interrupt. 1'b0: Disable 1'b1: Enable

**PMU1GRF SD DETECT STS**

Address: Operational Base + offset (0x0390)

Bit	Attr	Reset Value	Description
31:2	RO	0x00000000	reserved
1	RO	0x0	sd_detect_fall_sts SDMMC detect pin falling edge status. 1'b0: Inactive 1'b1: Active
0	RO	0x0	sd_detect_rise_sts SDMMC detect pin rising edge status. 1'b0: Inactive 1'b1: Active

**PMU1GRF SD DETECT CLR**

Address: Operational Base + offset (0x03A0)

Bit	Attr	Reset Value	Description
31:16	WO	0x0000	write_enable Write enable for lower 16 bits, each bit is individual. 1'b0: Write access disable 1'b1: Write access enable
15:2	RO	0x0000	reserved
1	WO	0x0	sd_detect_fall_clr Enable clear for SDMMC detect pin falling edge interrupt. 1'b0: Disable 1'b1: Enable
0	WO	0x0	sd_detect_rise_clr Enable clear for SDMMC detect pin rising edge interrupt. 1'b0: Disable 1'b1: Enable

### PMU1GRF SD\_DETECT\_CNT

Address: Operational Base + offset (0x03B0)

Bit	Attr	Reset Value	Description
31:22	RO	0x000	reserved
21:0	RW	0x0003e8	sd_det_cnt SDMMC detect count

## 6.5 SYS\_GRF Register Description

### 6.5.1 Registers Summary

Name	Offset	Size	Reset Value	Description
SYS GRF WDT_CON0	0x0000	W	0x00000000	WDT Control Register
SYS GRF UART_CON0	0x0010	W	0x00000000	UART Control Register 0
SYS GRF UART_CON1	0x0014	W	0x00000000	UART Control Register 1
SYS GRF GIC_CON0	0x00C0	W	0x00000002	GIC Control Register
SYS GRF MEMCFG_CON0	0x0200	W	0x00001410	Memory Configuration Register 0
SYS GRF MEMCFG_CON1	0x0204	W	0x00008010	Memory Configuration Register 1
SYS GRF MEMCFG_CON2	0x0208	W	0x00000000	Memory Configuration Register 2
SYS GRF MEMCFG_CON3	0x020C	W	0x00000010	Memory Configuration Register 3
SYS GRF MEMCFG_CON4	0x0210	W	0x00000011	Memory Configuration Register 4
SYS GRF MEMCFG_CON5	0x0214	W	0x00001410	Memory Configuration Register 5
SYS GRF MEMCFG_CON6	0x0218	W	0x00008010	Memory Configuration Register 6
SYS GRF MEMCFG_CON7	0x021C	W	0x00000000	Memory Configuration Register 7
SYS GRF MEMCFG_CON8	0x0220	W	0x00000010	Memory Configuration Register 8
SYS GRF MEMCFG_CON9	0x0224	W	0x00000011	Memory Configuration Register 9
SYS GRF MEMCFG_CON10	0x0228	W	0x00001410	Memory Configuration Register 10
SYS GRF MEMCFG_CON11	0x022C	W	0x00008010	Memory Configuration Register 11
SYS GRF MEMCFG_CON12	0x0230	W	0x00000000	Memory Configuration Register 12
SYS GRF MEMCFG_CON13	0x0234	W	0x00000010	Memory Configuration Register 13
SYS GRF MEMCFG_CON14	0x0238	W	0x00000011	Memory Configuration Register 14
SYS GRF MEMCFG_CON15	0x023C	W	0x00000008	Memory Configuration Register 15

<b>Name</b>	<b>Offset</b>	<b>Size</b>	<b>Reset Value</b>	<b>Description</b>
<u>SYS GRF MEMCFG CON1</u> <u>6</u>	0x0240	W	0x00000010	Memory Configuration Register 16
<u>SYS GRF MEMCFG CON1</u> <u>7</u>	0x0244	W	0x00000011	Memory Configuration Register 17
<u>SYS GRF MEMCFG CON1</u> <u>8</u>	0x0248	W	0x00008010	Memory Configuration Register 18
<u>SYS GRF MEMCFG CON1</u> <u>9</u>	0x024C	W	0x00001410	Memory Configuration Register 19
<u>SYS GRF MEMCFG CON2</u> <u>0</u>	0x0250	W	0x00000008	Memory Configuration Register 20
<u>SYS GRF MEMCFG CON2</u> <u>1</u>	0x0254	W	0x00001410	Memory Configuration Register 21
<u>SYS GRF MEMCFG CON2</u> <u>2</u>	0x0258	W	0x00000010	Memory Configuration Register 22
<u>SYS GRF MEMCFG CON2</u> <u>3</u>	0x025C	W	0x00000011	Memory Configuration Register 23
<u>SYS GRF MEMCFG CON2</u> <u>4</u>	0x0260	W	0x00002010	Memory Configuration Register 24
<u>SYS GRF MEMCFG CON2</u> <u>6</u>	0x0268	W	0x00008010	Memory Configuration Register 26
<u>SYS GRF MEMCFG CON2</u> <u>7</u>	0x026C	W	0x00000010	Memory Configuration Register 27
<u>SYS GRF MEMCFG CON2</u> <u>8</u>	0x0270	W	0x00001410	Memory Configuration Register 28
<u>SYS GRF MEMCFG CON2</u> <u>9</u>	0x0274	W	0x00000010	Memory Configuration Register 29
<u>SYS GRF MEMCFG CON3</u> <u>0</u>	0x0278	W	0x00000011	Memory Configuration Register 30
<u>SYS GRF MEMCFG CON3</u> <u>1</u>	0x027C	W	0x00002010	Memory Configuration Register 31
<u>SYS GRF SOC CON1</u>	0x0304	W	0x00000000	System Control Register 1
<u>SYS GRF SOC CON2</u>	0x0308	W	0x00008000	System Control Register 2
<u>SYS GRF SOC CON3</u>	0x030C	W	0x00000000	System Control Register 3
<u>SYS GRF SOC CON6</u>	0x0318	W	0x00004600	System Control Register 6
<u>SYS GRF SOC CON7</u>	0x031C	W	0x00000A00	System Control Register 7
<u>SYS GRF SOC CON8</u>	0x0320	W	0x00000000	System Control Register 8
<u>SYS GRF SOC CON9</u>	0x0324	W	0x00000000	System Control Register 9
<u>SYS GRF SOC CON10</u>	0x0328	W	0x00000300	System Control Register 10
<u>SYS GRF SOC CON11</u>	0x032C	W	0x00092820	System Control Register 11
<u>SYS GRF SOC CON12</u>	0x0330	W	0x00000000	System Control Register 12
<u>SYS GRF SOC CON13</u>	0x0334	W	0x00000000	System Control Register 13
<u>SYS GRF SOC STATUS0</u>	0x0380	W	0x00000000	System Status Register 0
<u>SYS GRF SOC STATUS1</u>	0x0384	W	0x00000000	System Status Register 1
<u>SYS GRF SOC STATUS2</u>	0x0388	W	0x00000000	System Status Register 2
<u>SYS GRF SOC STATUS3</u>	0x038C	W	0x00000000	System Status Register 3
<u>SYS GRF OTP KEY08</u>	0x0500	W	0x00000000	OTP Status Register 8
<u>SYS GRF OTP KEY0D</u>	0x0504	W	0x00000000	OTP Status Register 13
<u>SYS GRF OTP KEY0E</u>	0x0508	W	0x00000000	OTP Status Register 14
<u>SYS GRF CHIP ID</u>	0x0600	W	0x00003588	Chip ID Register

Notes: **B**- Byte (8 bits) access, **HW**- Half WORD (16 bits) access, **W**-WORD (32 bits) access, **DW**- Double WORD (64 bits) access

## 6.5.2 Detail Registers Description

**SYS GRF WDT CON0**

Address: Operational Base + offset (0x0000)

Bit	Attr	Reset Value	Description
31:16	WO	0x0000	write_enable Write enable for lower 16bits, each bit is individual 1'b0: Write access disable 1'b1: Write access enable
15:1	RO	0x0000	reserved
0	RW	0x0	wdtms_pause_en wdt pause enable. Used to freeze the watchdog counter during pause mode. High active.

**SYS GRF UART CON0**

Address: Operational Base + offset (0x0010)

Bit	Attr	Reset Value	Description
31:16	WO	0x0000	write_enable Write enable for lower 16bits, each bit is individual 1'b0: Write access disable 1'b1: Write access enable
15:9	RO	0x00	reserved
8	RW	0x0	uart9_cts_inv Polarity selection for uart9_cts. 1'b0: Low active 1'b1: High active
7	RW	0x0	uart8_cts_inv Polarity selection for uart8_cts. 1'b0: Low active 1'b1: High active
6	RW	0x0	uart7_cts_inv Polarity selection for uart7_cts. 1'b0: Low active 1'b1: High active
5	RW	0x0	uart6_cts_inv Polarity selection for uart6_cts. 1'b0: Low active 1'b1: High active
4	RW	0x0	uart5_cts_inv Polarity selection for uart5_cts. 1'b0: Low active 1'b1: High active
3	RW	0x0	uart4_cts_inv Polarity selection for uart4_cts. 1'b0: Low active 1'b1: High active
2	RW	0x0	uart3_cts_inv Polarity selection for uart3_cts. 1'b0: Low active 1'b1: High active
1	RW	0x0	uart2_cts_inv Polarity selection for uart2_cts. 1'b0: Low active 1'b1: High active

**RK3588 TRM-Part1**

Bit	Attr	Reset Value	Description
0	RW	0x0	uart1_cts_inv Polarity selection for uart1_cts. 1'b0: Low active 1'b1: High active

**SYS GRF UART CON1**

Address: Operational Base + offset (0x0014)

Bit	Attr	Reset Value	Description
31:16	WO	0x0000	write_enable Write enable for lower 16bits, each bit is individual 1'b0: Write access disable 1'b1: Write access enable
15:9	RO	0x00	reserved
8	RW	0x0	uart9_rts_inv Polarity selection for uart9_rts. 1'b0: Low active 1'b1: High active
7	RW	0x0	uart8_rts_inv Polarity selection for uart8_rts. 1'b0: Low active 1'b1: High active
6	RW	0x0	uart7_rts_inv Polarity selection for uart7_rts. 1'b0: Low active 1'b1: High active
5	RW	0x0	uart6_rts_inv Polarity selection for uart6_rts. 1'b0: Low active 1'b1: High active
4	RW	0x0	uart5_rts_inv Polarity selection for uart5_rts. 1'b0: Low active 1'b1: High active
3	RW	0x0	uart4_rts_inv Polarity selection for uart4_rts. 1'b0: Low active 1'b1: High active
2	RW	0x0	uart3_rts_inv Polarity selection for uart3_rts. 1'b0: Low active 1'b1: High active
1	RW	0x0	uart2_rts_inv Polarity selection for uart2_rts. 1'b0: Low active 1'b1: High active
0	RW	0x0	uart1_rts_inv Polarity selection for uart1_rts. 1'b0: Low active 1'b1: High active

**SYS GRF GIC CON0**

Address: Operational Base + offset (0x00C0)

**RK3588 TRM-Part1**

Bit	Attr	Reset Value	Description
31:16	WO	0x0000	write_enable Write enable for lower 16bits, each bit is individual 1'b0: Write access disable 1'b1: Write access enable
15:8	RW	0x00	cpu_active CPU active status Indicates if the core is active and not in a low-power state such as retention. The GIC can decide to target only active cores for 1 of N SPIs.
7:2	RO	0x00	reserved
1	RW	0x1	gic_sample_req GIC sample request This 4-phase handshake provides a hardware mechanism to snapshot the PMU counters and has the same effect as writing to the GICP_CAPR register.
0	RO	0x0	reserved

**SYS GRF MEMCFG CON0**

Address: Operational Base + offset (0x0200)

Bit	Attr	Reset Value	Description
31:16	WO	0x0000	write_enable Write enable for lower 16bits, each bit is individual 1'b0: Write access disable 1'b1: Write access enable
15:0	RW	0x1410	rkvdec_mem_cfg_hdpsprf RKVDEC HDSPRF memory configuration bit 0: TEST1 bit 1: TEST_RNM bit 4~2: RM bit 5: WMD bit 7: LS bit 11~10: WPULSE bit 13~12: RA

**SYS GRF MEMCFG CON1**

Address: Operational Base + offset (0x0204)

Bit	Attr	Reset Value	Description
31:16	WO	0x0000	write_enable Write enable for lower 16bits, each bit is individual 1'b0: Write access disable 1'b1: Write access enable
15:0	RW	0x8010	rkvdec_mem_cfg_uhdprf RKVDEC UHDPDRF memory configuration low bits bit 0: TEST1 bit 1: TEST_RNM bit 4~2: RM bit 5: WMDA bit 7: LS

**SYS GRF MEMCFG CON2**

Address: Operational Base + offset (0x0208)

Bit	Attr	Reset Value	Description
31:16	WO	0x0000	write_enable Write enable for lower 16bits, each bit is individual 1'b0: Write access disable 1'b1: Write access enable
15:3	RO	0x0000	reserved
2:0	RW	0x0	rkvdec_mem_cfg_uhdprf RKVDEC UHDPDRF memory configuration high bits bit 0: TESTRWM

**SYS GRF MEMCFG CON3**

Address: Operational Base + offset (0x020C)

Bit	Attr	Reset Value	Description
31:16	WO	0x0000	write_enable Write enable for lower 16bits, each bit is individual 1'b0: Write access disable 1'b1: Write access enable
15:0	RW	0x0010	rkvdec_mem_cfg_hsdprf RKVDEC HSDPRF memory configuration low bits bit 0: TEST1A bit 1: TEST_RNMA bit 5~2: RMA bit 6: WMDA bit 8: LS

**SYS GRF MEMCFG CON4**

Address: Operational Base + offset (0x0210)

Bit	Attr	Reset Value	Description
31:16	WO	0x0000	write_enable Write enable for lower 16bits, each bit is individual 1'b0: Write access disable 1'b1: Write access enable
15:8	RO	0x00	reserved
7:0	RW	0x11	rkvdec_mem_cfg_hsdprf RKVDEC HSDPRF memory configuration high bits bit 1: TEST1B bit 5~2: RMB

**SYS GRF MEMCFG CON5**

Address: Operational Base + offset (0x0214)

Bit	Attr	Reset Value	Description
31:16	WO	0x0000	write_enable Write enable for lower 16bits, each bit is individual 1'b0: Write access disable 1'b1: Write access enable
15:0	RW	0x1410	rkvenc_mem_cfg_hdsprf RKVENC HDSPRF memory configuration bit 0: TEST1 bit 1: TEST_RNM bit 4~2: RM bit 5: WMD bit 7: LS bit 11~10: WPULSE bit 13~12: RA

**SYS GRF MEMCFG CON6**

## RK3588 TRM-Part1

Address: Operational Base + offset (0x0218)

Bit	Attr	Reset Value	Description
31:16	WO	0x0000	write_enable Write enable for lower 16bits, each bit is individual 1'b0: Write access disable 1'b1: Write access enable
15:0	RW	0x8010	rkvenc_mem_cfg_uhdprf RKVENC UHDPDRF memory configuration low bits bit 0: TEST1 bit 1: TEST_RNM bit 4~2: RM bit 5: WMDA bit 7: LS

### **SYS GRF MEMCFG CON7**

Address: Operational Base + offset (0x021C)

Bit	Attr	Reset Value	Description
31:16	WO	0x0000	write_enable Write enable for lower 16bits, each bit is individual 1'b0: Write access disable 1'b1: Write access enable
15:3	RO	0x0000	reserved
2:0	RW	0x0	rkvenc_mem_cfg_uhdprf RKVENC UHDPDRF memory configuration high bits bit 0: TESTRWM

### **SYS GRF MEMCFG CON8**

Address: Operational Base + offset (0x0220)

Bit	Attr	Reset Value	Description
31:16	WO	0x0000	write_enable Write enable for lower 16bits, each bit is individual 1'b0: Write access disable 1'b1: Write access enable
15:0	RW	0x0010	rkvenc_mem_cfg_hsdprf RKVENC HSDPRF memory configuration low bits bit 0: TEST1A bit 1: TEST_RNMA bit 5~2: RMA bit 6: WMDA bit 8: LS

### **SYS GRF MEMCFG CON9**

Address: Operational Base + offset (0x0224)

Bit	Attr	Reset Value	Description
31:16	WO	0x0000	write_enable Write enable for lower 16bits, each bit is individual 1'b0: Write access disable 1'b1: Write access enable
15:8	RO	0x00	reserved
7:0	RW	0x11	rkvenc_mem_cfg_hsdprf RKVENC HSDPRF memory configuration high bits bit 1: TEST1B bit 5~2: RMB

### **SYS GRF MEMCFG CON10**

Address: Operational Base + offset (0x0228)



Bit	Attr	Reset Value	Description
31:16	WO	0x0000	write_enable Write enable for lower 16bits, each bit is individual 1'b0: Write access disable 1'b1: Write access enable
15:0	RW	0x1410	vdpu_mem_cfg_hdsprf VDPU HDSPRF memory configuration bit 0: TEST1 bit 1: TEST_RNM bit 4~2: RM bit 5: WMD bit 7: LS bit 11~10: WPULSE bit 13~12: RA

**SYS GRF MEMCFG CON11**

Address: Operational Base + offset (0x022C)

Bit	Attr	Reset Value	Description
31:16	WO	0x0000	write_enable Write enable for lower 16bits, each bit is individual 1'b0: Write access disable 1'b1: Write access enable
15:0	RW	0x8010	vdpu_mem_cfg_uhdprf VDPU UHDPRF memory configuration low bits bit 0: TEST1 bit 1: TEST_RNM bit 4~2: RM bit 5: WMDA bit 7: LS

**SYS GRF MEMCFG CON12**

Address: Operational Base + offset (0x0230)

Bit	Attr	Reset Value	Description
31:16	WO	0x0000	write_enable Write enable for lower 16bits, each bit is individual 1'b0: Write access disable 1'b1: Write access enable
15:3	RO	0x0000	reserved
2:0	RW	0x0	vdpu_mem_cfg_uhdprf VDPU UHDPRF memory configuration high bits bit 0: TESTRWM

**SYS GRF MEMCFG CON13**

Address: Operational Base + offset (0x0234)

Bit	Attr	Reset Value	Description
31:16	WO	0x0000	write_enable Write enable for lower 16bits, each bit is individual 1'b0: Write access disable 1'b1: Write access enable
15:0	RW	0x0010	vdpu_mem_cfg_hsdprf VDPU HSDPRF memory configuration low bits bit 0: TEST1A bit 1: TEST_RNMA bit 5~2: RMA bit 6: WMDA bit 8: LS

**SYS GRF MEMCFG CON14**

Address: Operational Base + offset (0x0238)

Bit	Attr	Reset Value	Description
31:16	WO	0x0000	write_enable Write enable for lower 16bits, each bit is individual 1'b0: Write access disable 1'b1: Write access enable
15:8	RO	0x00	reserved
7:0	RW	0x11	vdpu_mem_cfg_hsdprf VDPU HSDPRF memory configuration high bits bit 1: TEST1B bit 5~2: RMB

**SYS GRF MEMCFG CON15**

Address: Operational Base + offset (0x023C)

Bit	Attr	Reset Value	Description
31:16	WO	0x0000	write_enable Write enable for lower 16bits, each bit is individual 1'b0: Write access disable 1'b1: Write access enable
15:8	RO	0x00	reserved
7:0	RW	0x08	vdpu_mem_cfg_rom VDPU ROM memory configuration bit 0: TEST1 bit 4~1: RM bit 5: LS

**SYS GRF MEMCFG CON16**

Address: Operational Base + offset (0x0240)

Bit	Attr	Reset Value	Description
31:16	WO	0x0000	write_enable Write enable for lower 16bits, each bit is individual 1'b0: Write access disable 1'b1: Write access enable
15:0	RW	0x0010	av1_mem_cfg_hsdprf AV1 HSDPRF memory configuration low bits bit 0: TEST1A bit 1: TEST_RNMA bit 5~2: RMA bit 6: WMDA bit 8: LS

**SYS GRF MEMCFG CON17**

Address: Operational Base + offset (0x0244)

Bit	Attr	Reset Value	Description
31:16	WO	0x0000	write_enable Write enable for lower 16bits, each bit is individual 1'b0: Write access disable 1'b1: Write access enable
15:11	RO	0x00	reserved
10:8	RW	0x0	av1_mem_cfg_uhdprf AV1 UHDPDRF memory configuration high bits bit 8: TESTRWM

Bit	Attr	Reset Value	Description
7:0	RW	0x11	av1_mem_cfg_hsdprf AV1 HSDPRF memory configuration high bits bit 1: TEST1B bit 5~2: RMB

**SYS GRF MEMCFG CON18**

Address: Operational Base + offset (0x0248)

Bit	Attr	Reset Value	Description
31:16	WO	0x0000	write_enable Write enable for lower 16bits, each bit is individual 1'b0: Write access disable 1'b1: Write access enable
15:0	RW	0x8010	av1_mem_cfg_uhdprf AV1 UHDPDRF memory configuration low bits bit 0: TEST1 bit 1: TEST_RNM bit 4~2: RM bit 5: WMDA bit 7: LS

**SYS GRF MEMCFG CON19**

Address: Operational Base + offset (0x024C)

Bit	Attr	Reset Value	Description
31:16	WO	0x0000	write_enable Write enable for lower 16bits, each bit is individual 1'b0: Write access disable 1'b1: Write access enable
15:0	RW	0x1410	av1_mem_cfg_hdsprf AV1 HDSPRF memory configuration bit 0: TEST1 bit 1: TEST_RNM bit 4~2: RM bit 5: WMD bit 7: LS bit 11~10: WPULSE bit 13~12: RA

**SYS GRF MEMCFG CON20**

Address: Operational Base + offset (0x0250)

Bit	Attr	Reset Value	Description
31:16	WO	0x0000	write_enable Write enable for lower 16bits, each bit is individual 1'b0: Write access disable 1'b1: Write access enable
15:8	RO	0x00	reserved
7:0	RW	0x08	sys_mem_cfg_rom ROM memory configuration bit 0: TEST1 bit 4~1: RM bit 5: LS

**SYS GRF MEMCFG CON21**

Address: Operational Base + offset (0x0254)

Bit	Attr	Reset Value	Description
31:16	WO	0x0000	write_enable Write enable for lower 16bits, each bit is individual 1'b0: Write access disable 1'b1: Write access enable
15:0	RW	0x1410	sys_mem_cfg_hdsprf system HDSPRF memory configuration bit 0: TEST1 bit 1: TEST_RNM bit 4~2: RM bit 5: WMD bit 7: LS bit 11~10: WPULSE bit 13~12: RA

**SYS GRF MEMCFG CON22**

Address: Operational Base + offset (0x0258)

Bit	Attr	Reset Value	Description
31:16	WO	0x0000	write_enable Write enable for lower 16bits, each bit is individual 1'b0: Write access disable 1'b1: Write access enable
15:0	RW	0x0010	sys_mem_cfg_hsdprf system HSDPRF memory configuration low bits bit 0: TEST1A bit 1: TEST_RNMA bit 5~2: RMA bit 6: WMDA bit 8: LS

**SYS GRF MEMCFG CON23**

Address: Operational Base + offset (0x025C)

Bit	Attr	Reset Value	Description
31:16	WO	0x0000	write_enable Write enable for lower 16bits, each bit is individual 1'b0: Write access disable 1'b1: Write access enable
15:8	RO	0x00	reserved
7:0	RW	0x11	sys_mem_cfg_hsdprf system HSDPRF memory configuration high bits bit 1: TEST1B bit 5~2: RMB

**SYS GRF MEMCFG CON24**

Address: Operational Base + offset (0x0260)

Bit	Attr	Reset Value	Description
31:16	WO	0x0000	write_enable Write enable for lower 16bits, each bit is individual 1'b0: Write access disable 1'b1: Write access enable

Bit	Attr	Reset Value	Description
15:0	RW	0x2010	sys_mem_cfg_hsspra system HSSPRA memory configuration bit 0: TEST1 bit 1: TEST_RNM bit 4~2: RM bit 5: WMD bit 7: LS

**SYS GRF MEMCFG CON26**

Address: Operational Base + offset (0x0268)

Bit	Attr	Reset Value	Description
31:16	WO	0x0000	write_enable Write enable for lower 16bits, each bit is individual 1'b0: Write access disable 1'b1: Write access enable
15:0	RW	0x8010	sys_mem_cfg_hsdpra system HSDPRA memory configuration low bits bit 0: TEST1A bit 1: TEST_RNMA bit 4~2: RMA bit 5: WMDA bit 7: LS bit 11~10: WPULSE bit 13~12: RA bit 15~14: WA

**SYS GRF MEMCFG CON27**

Address: Operational Base + offset (0x026C)

Bit	Attr	Reset Value	Description
31:16	WO	0x0000	write_enable Write enable for lower 16bits, each bit is individual 1'b0: Write access disable 1'b1: Write access enable
15:9	RO	0x00	reserved
8:0	RW	0x010	sys_mem_cfg_hsdpra system HSDPRA memory configuration high bits bit 0: TEST1B bit 1: TEST_RNMB bit 4~2: RMB bit 5: WMDB

**SYS GRF MEMCFG CON28**

Address: Operational Base + offset (0x0270)

Bit	Attr	Reset Value	Description
31:16	WO	0x0000	write_enable Write enable for lower 16bits, each bit is individual 1'b0: Write access disable 1'b1: Write access enable

Bit	Attr	Reset Value	Description
15:0	RW	0x1410	vi_mem_cfg_hdsprf VI subsystem HDSPRF memory configuration bit 0: TEST1 bit 1: TEST_RNM bit 4~2: RM bit 5: WMD bit 7: LS bit 11~10: WPULSE bit 13~12: RA

**SYS GRF MEMCFG CON29**

Address: Operational Base + offset (0x0274)

Bit	Attr	Reset Value	Description
31:16	WO	0x0000	write_enable Write enable for lower 16bits, each bit is individual 1'b0: Write access disable 1'b1: Write access enable
15:0	RW	0x0010	vi_mem_cfg_hsdprf VI subsystem HSDPRF memory configuration low bits bit 0: TEST1A bit 1: TEST_RNMA bit 5~2: RMA bit 6: WMDA bit 8: LS

**SYS GRF MEMCFG CON30**

Address: Operational Base + offset (0x0278)

Bit	Attr	Reset Value	Description
31:16	WO	0x0000	write_enable Write enable for lower 16bits, each bit is individual 1'b0: Write access disable 1'b1: Write access enable
15:8	RO	0x00	reserved
7:0	RW	0x11	vi_mem_cfg_hsdprf VI subsystem HSDPRF memory configuration high bits bit 1: TEST1B bit 5~2: RMB

**SYS GRF MEMCFG CON31**

Address: Operational Base + offset (0x027C)

Bit	Attr	Reset Value	Description
31:16	WO	0x0000	write_enable Write enable for lower 16bits, each bit is individual 1'b0: Write access disable 1'b1: Write access enable
15:0	RW	0x2010	vi_mem_cfg_hsspra VI subsystem HSSPRA memory configuration bit 0: TEST1 bit 1: TEST_RNM bit 4~2: RM bit 5: WMD bit 7: LS

**SYS GRF SOC CON1**

Address: Operational Base + offset (0x0304)

Bit	Attr	Reset Value	Description
31:16	WO	0x0000	write_enable Write enable for lower 16bits, each bit is individual 1'b0: Write access disable 1'b1: Write access enable
15	RW	0x0	spdif0_txm1_inv_sel Select SPDIF0_TXM1 to IO invert or not 1'b0: Do not invert spdif0_txm1 1'b1: Invert spdif0_txm1
14	RW	0x0	vop_dclk_inv_sel 1'b0: Do not invert VOP DCLK to IO 1'b1: Invert VOP DCLK to IO
13	RW	0x0	isp1_shutter_trig ISP1 shutter trigger. High valid.
12	RW	0x0	isp1_disable_isp disable ISP1 function. High valid.
11	RW	0x0	isp0_shutter_trig ISP0 shutter trigger. High valid.
10	RW	0x0	isp0_disable_isp disable ISP0 function. High valid.
9:2	RO	0x00	reserved
1	RW	0x0	hdmirxphy_sram_ext_ld_done HDMIRX PHY SRAM external load done This signal asserted by user after any updates to the SRAM have been loaded.
0	RW	0x0	hdmirxphy_sram_bypass HDMI RXPHY SRAM bypass control when sram bypass control signal asserted, bypasses the SRAM interface. In this case, the adaptation and calibration algorithms are executed from the hard wired values within the Raw PCS. If SRAM is not bypassed, the internal algorithms are first loaded by Raw PCS into the SRAM at which point user can change the contents of the SRAM. The updated SRAM contents are used for the adaptation and calibration routines. This signal is meant to be used only for debugging purposes and must not change after phy_reset is negated.

**SYS GRF SOC CON2**

Address: Operational Base + offset (0x0308)

Bit	Attr	Reset Value	Description
31:16	WO	0x0000	write_enable Write enable for lower 16bits, each bit is individual 1'b0: Write access disable 1'b1: Write access enable
15	RW	0x1	hdmitx1_hpd_int_msk HDMI TX1 HPD interrupt mask 1'b0: Interrupt enable 1'b1: Interrupt disable
14	RW	0x0	hdmitx1_hpd_int_clr A posedge of hdmitx1_hpd_int_clr will clear the HDMI TX1 HPD interrupt.

Bit	Attr	Reset Value	Description
13	RW	0x0	hdmitx0_hpd_int_msk HDMI TX0 HPD interrupt mask 1'b0: Interrupt enable 1'b1: Interrupt disable
12	RW	0x0	hdmitx0_hpd_int_clr A posedge of hdmitx0_hpd_int_clr will clear the HDMI TX0 HPD interrupt.
11	RW	0x0	csihost5_sel CSIHOST5 mode select 1'b0: Connect to D-PHY lane 0/1 1'b1: Connect to D-PHY lane 2/3 This bit is valid only in D-PHY split mode.
10	RW	0x0	csihost4_sel CSIHOST4 mode select 1'b0: Connect to D-PHY lane 0/1 1'b1: Connect to D-PHY lane 2/3 This bit is valid only in D-PHY split mode.
9	RW	0x0	csihost3_sel CSIHOST3 mode select 1'b0: Connect to D-PHY lane 0/1 1'b1: Connect to D-PHY lane 2/3 This bit is valid only in D-PHY split mode.
8	RW	0x0	csihost2_sel CSIHOST2 mode select 1'b0: Connect to D-PHY lane 0/1 1'b1: Connect to D-PHY lane 2/3 This bit is valid only in D-PHY split mode.
7	RW	0x0	csidphy1_lane_sel CSIDPHY 1 pipe clock select 1'b0: Select clock lane 0 to pipe CSIDPHY data[31:16] 1'b1: Select clock lane 1 to pipe CSIDPHY data[31:16] If CSIDPHY works as full mode, set this bit to 1'b0. If CSIDPHY works as split mode, set this bit to 1'b1.
6	RW	0x0	csidphy0_lane_sel CSIDPHY 0 pipe clock select 1'b0: Select clock lane 0 to pipe CSIDPHY data[31:16] 1'b1: Select clock lane 1 to pipe CSIDPHY data[31:16] If CSIDPHY works as full mode, set this bit to 1'b0. If CSIDPHY works as split mode, set this bit to 1'b1.
5	RW	0x0	vicap_datapath 1'b0: Select single edge mode 1'b1: Select dual edge mode
4	RW	0x0	vicap_clk_inv_sel VICAP clock invert select 1'b0: Do not invert VICAP clock in 1'b1: Invert VICAP clock in
3:0	RO	0x0	reserved

**SYS GRF SOC CON3**

Address: Operational Base + offset (0x030C)

Bit	Attr	Reset Value	Description
31:16	WO	0x0000	write_enable Write enable for lower 16bits, each bit is individual 1'b0: Write access disable 1'b1: Write access enable



Bit	Attr	Reset Value	Description
15:8	RW	0x00	vop_clk_delay_num VOP clock delayline length control
7:0	RW	0x00	vicap_clk_delay_num VIP clock delayline length control

**SYS GRF SOC CON6**

Address: Operational Base + offset (0x0318)

Bit	Attr	Reset Value	Description
31:16	WO	0x0000	write_enable Write enable for lower 16bits, each bit is individual 1'b0: Write access disable 1'b1: Write access enable
15	RW	0x0	pciephy_dtb_sel PCIEPHY DTB select 1'b0: Select PCIE0 PHY DTB output to IO 1'b1: Select PCIE1 PHY DTB output to IO
14	RW	0x1	force_jtag Force SDMMC IO to JTAG function enable When force_jtag is high , gpio4_d2_sel is 0x1 , gpio4_d3_sel is 0x1, and SDMMC_DETECTN is inactive, switch the SDMMC IO to CPU JTAG function.
13:12	RW	0x0	hdcu_uart2_en HDCP uart enable 2'b01: UART2 IO is used for HDCP 0 2'b10: UART2 IO is used for HDCP 1
11	RW	0x0	acdcdig_sel ACDC path select 1'b0: I2S3 connect to IO 1'b1: I2S3 connect to DSM_PWM
10	RW	0x1	hdmirx_phy_gating_en HDMI RXPHY memory clock gating enable 1'b0: HDMIRX PHY memory clock auto gating disable 1'b1: HDMIRX PHY memory clock auto gating enable
9	RW	0x1	i2s3_trxlrck_sel I2S3 lrck select 1'b0: Select i2s3_rx_lrck as lrck 1'b1: Select i2s3_tx_lrck as lrck
8	RW	0x0	i2s3_sclk_sel I2S3 sclk select 1'b0: Select i2s3_sclk_in_rx as sclk 1'b1: Select i2s3_sclk_in_tx as sclk
7	RW	0x0	i2s3_mclk_ioe_ I2S3_MCLK output enable 1'b0: Output enable 1'b1: Output disable
6	RW	0x0	i2s2_sclk_sel I2S2 sclk select 1'b0: Select i2s2_sclk_in_rx as sclk 1'b1: Select i2s2_sclk_in_tx as sclk
5:3	RO	0x0	reserved
2	RW	0x0	i2s2_mclk_ioe_ I2S2_MCLK output enable 1'b0: Output enable 1'b1: Output disable

Bit	Attr	Reset Value	Description
1	RW	0x0	i2s1_mclk_ioe_ I2S1_MCLK output enable 1'b0: Output enable 1'b1: Output disable
0	RW	0x0	i2s0_mclk_ioe_ I2S0_MCLK output enable 1'b0: Output enable 1'b1: Output disable

**SYS GRF SOC CON7**

Address: Operational Base + offset (0x031C)

Bit	Attr	Reset Value	Description
31:16	WO	0x0000	write_enable Write enable for lower 16bits, each bit is individual 1'b0: Write access disable 1'b1: Write access enable
15	RW	0x0	edp1_hpd_sel 1'b0: Tie EDP1 hpd to 1'b1 1'b1: Connect EDP1 hpd to IO
14	RW	0x0	edp0_hpd_sel 1'b0: Tie EDP0 hpd to 1'b1 1'b1: Connect EDP0 hpd to IO
13	RW	0x0	hdmitx1hpd_io_sel 1'b0: Tie HDMITX1 hpd to 1'b0 1'b1: Connect HDMITX1 hpd to IO
12	RW	0x0	hdmitx0hpd_io_sel 1'b0: Tie HDMITX0 hpd to 1'b0 1'b1: Connect HDMITX0 hpd to IO
11	RW	0x1	emmc_ram_clkgat_disable 1'b0: Gate EMMC memory clock when idle 1'b1: EMMC memory clock is always on
10	RW	0x0	sdio_ram_clkgat_disable 1'b0: Gate SDIO memory clock when idle 1'b1: SDIO memory clock is always on
9	RW	0x1	sdmmc_ram_clkgat_disable 1'b0: Gate SDMMC memory clock when idle 1'b1: SDMMC memory clock is always on
8	RW	0x0	trng_ns_i_rst_sync_bypass when high, bypass the reset synchronization logic.
7	RW	0x0	trng_ns_i_ctrl_reseed control the non-secure TRNG to regenerate the random seed.
6	RW	0x0	trng_ns_i_ctrl_zeroize used to clear the state and seed of non-secure TRNG.
5	RW	0x0	gmac1_rxclk_dly_ena RGMII RX clock delayline enable 1'b0: Disable 1'b1: Enable
4	RW	0x0	gmac1_txclk_dly_ena RGMII TX clock delayline enable 1'b0: Disable 1'b1: Enable
3	RW	0x0	gmac0_rxclk_dly_ena RGMII RX clock delayline enable 1'b0: Disable 1'b1: Enable

Bit	Attr	Reset Value	Description
2	RW	0x0	gmac0_txclk_dly_ena RGMII TX clock delayline enable 1'b0: Disable 1'b1: Enable
1:0	RW	0x0	sata_io_sel SATA IO select 2'b00: Select SATA0 cp_det / mp_switch / cp_pod to IO 2'b01: Select SATA1 cp_det / mp_switch / cp_pod to IO 2'b10: Select SATA2 cp_det / mp_switch / cp_pod to IO

**SYS GRF SOC CON8**

Address: Operational Base + offset (0x0320)

Bit	Attr	Reset Value	Description
31:16	WO	0x0000	write_enable Write enable for lower 16bits, each bit is individual 1'b0: Write access disable 1'b1: Write access enable
15:8	RW	0x00	gmac0_clk_rx_dl_cfg GMAC0 RX clock delayline configuration MAC receipt clock delay length configuration
7:0	RW	0x00	gmac0_clk_tx_dl_cfg GMAC0 TX clock delayline configuration MAC transmit clock delay length configuration

**SYS GRF SOC CON9**

Address: Operational Base + offset (0x0324)

Bit	Attr	Reset Value	Description
31:16	WO	0x0000	write_enable Write enable for lower 16bits, each bit is individual 1'b0: Write access disable 1'b1: Write access enable
15:8	RW	0x00	gmac1_clk_rx_dl_cfg GMAC1 RX clock delayline configuration MAC receipt clock delay length configuration
7:0	RW	0x00	gmac1_clk_tx_dl_cfg GMAC1 TX clock delayline configuration MAC transmit clock delay length configuration

**SYS GRF SOC CON10**

Address: Operational Base + offset (0x0328)

Bit	Attr	Reset Value	Description
31:16	WO	0x0000	write_enable Write enable for lower 16bits, each bit is individual 1'b0: Write access disable 1'b1: Write access enable
15:12	RW	0x0	hdmi_debug_sel HDMI DEBUG IO select select different debug signals to IO.
11:10	RW	0x0	mcujtag_sel 2'b00: JTAG IO select PMU MCU 2'b01: JTAG IO select DDR MCU 2'b10: JTAG IO select GPU MCU 2'b11: JTAG IO select NPU MCU

Bit	Attr	Reset Value	Description
9	RW	0x1	clkbypass_emmc clock gate bypass 1'b0: Enable clock gate of EMMC 1'b1: Disable clock gate of EMMC
8	RW	0x1	clkstable_emmc card clock stable When asserted it indicates that the card clock is stable. Active State: High
7:3	RW	0x00	sdmmc_fifo_wr_thresh SDMMC BUFFER FIFO threshold control When the space of SDMMC BUFFER FIFO is more than the threshold, SDMMC BUFFER module will send the dma request signal.
2	RW	0x0	sdmmc_buf_clk_inv_sel SDMMC BUFFER clock invert select 1'b0: Do not invert SDMMC BUFFER clock output 1'b1: Invert SDMMC BUFFER clock output
1	RW	0x0	sdmmc_buffer_en SDMMC BUFFER enable 1'b0: SDMMC BUFFER module disable 1'b1: SDMMC BUFFER module enable
0	RW	0x0	sdmmc_buffer_io_en SDMMC BUFFER IO select 1'b0: Select SDMMC to SDMMC IO 1'b1: Select SDMMC BUFFER to SDMMC IO

**SYS GRF SOC CON11**

Address: Operational Base + offset (0x032C)

Bit	Attr	Reset Value	Description
31:0	RW	0x00092820	sdcard_dectn_dly Delay counter setting after sdcard plug out. Counted by 24M clock

**SYS GRF SOC CON12**

Address: Operational Base + offset (0x0330)

Bit	Attr	Reset Value	Description
31:16	WO	0x0000	write_enable Write enable for lower 16bits, each bit is individual 1'b0: Write access disable 1'b1: Write access enable
15	RW	0x0	hdmitx0_hpd_port_from_ff 1'b1: Active the register as the input hpd port 1'b0: Inactive the register as the input hpd port
14	RW	0x0	hdmitx0_hpd_port_from_top 1'b1: Active the top level's hpd port as the input hpd port 1'b0: Inactive the top level's hpd port as the input hpd port
13:8	RW	0x00	hdmitx0_setdly_en 6'h0: Inactive SET_LNUM_MS value Others not 6'h0: Active SET_LNUM_MS value
7:0	RW	0x00	hdmitx0_set_lnum_ms The low level count threshold value. For example: 20 means low level stable 20ms.

**SYS GRF SOC CON13**

Address: Operational Base + offset (0x0334)

Bit	Attr	Reset Value	Description
31:16	WO	0x0000	write_enable Write enable for lower 16bits, each bit is individual 1'b0: Write access disable 1'b1: Write access enable
15	RW	0x0	hdmitx1_hpd_port_from_ff 1'b1: Active the register as the input hpd port 1'b0: Inactive the register as the input hpd port
14	RW	0x0	hdmitx1_hpd_port_from_top 1'b1: Active the top level's hpd port as the input hpd port 1'b0: Inactive the top level's hpd port as the input hpd port
13:8	RW	0x00	hdmitx1_setdly_en 6'h0: Inactive SET_LNUM_MS value Others not 6'h0: Active SET_LNUM_MS value
7:0	RW	0x00	hdmitx1_set_lnum_ms The low level count threshold value. For example: 20 means low level stable 20ms.

**SYS GRF SOC STATUS0**

Address: Operational Base + offset (0x0380)

Bit	Attr	Reset Value	Description
31:13	RO	0x00000	reserved
12	RO	0x0	gic_sample_ack Used with gic_sample_req. This 4-phase handshake provides a mechanism to snapshot the PMU counters and has the same effects as writing to the GICP_CAPR register.
11:0	RO	0x000	timer_ns_en_status TIMER_NS enable status

**SYS GRF SOC STATUS1**

Address: Operational Base + offset (0x0384)

Bit	Attr	Reset Value	Description
31:29	RO	0x0	reserved
28	RO	0x0	hdmitx1_low_morethan100ms 1'b0: Low more than 100 ms (Internal signal of the HPD module) signal is low level 1'b1: Low more than 100 ms (Internal signal of the HPD module) signal is high level
27	RO	0x0	hdmitx1_port_level 1'b0: HPD_PORT_LEVEL (Internal signal of the HPD module) signal is low level 1'b1: HPD_PORT_LEVEL (Internal signal of the HPD module) signal is high level
26	RO	0x0	hdmitx1_ihpd_port 1'b0: IHPD_PORT (Input signal of the HPD module) signal is low level 1'b1: IHPD_PORT (Input signal of the HPD module) signal is high level
25	RO	0x0	hdmitx1_ohpd_int 1'b0: Ohpd_int (Output signal of the HPD module) signal is low level 1'b1: Ohpd_int (Output signal of the HPD module) signal is high level
24	RO	0x0	hdmitx1_level_int 1'b0: Level Interrupt signal is low level 1'b1: Level Interrupt signal is high level

Bit	Attr	Reset Value	Description
23:21	RO	0x0	hdmitx1_int_change_cnt Store the interrupt change times.
20	RO	0x0	hdmitx0_low_morethan100ms 1'b0: Low more than 100 ms (Internal signal of the HPD module) signal is low level 1'b1: Low more than 100 ms (Internal signal of the HPD module) signal is high level
19	RO	0x0	hdmitx0_port_level 1'b0: HPD_PORT_LEVEL (Internal signal of the HPD module) signal is low level 1'b1: HPD_PORT_LEVEL (Internal signal of the HPD module) signal is high level
18	RO	0x0	hdmitx0_ihpd_port 1'b0: IHPD_PORT (Input signal of the HPD module) signal is low level 1'b1: IHPD_PORT (Input signal of the HPD module) signal is high level
17	RO	0x0	hdmitx0_ohpd_int 1'b0: Ohpd_int (Output signal of the HPD module) signal is low level 1'b1: Ohpd_int (Output signal of the HPD module) signal is high level
16	RO	0x0	hdmitx0_level_int 1'b0: Level Interrupt signal is low level 1'b1: Level Interrupt signal is high level
15:13	RO	0x0	hdmitx0_int_change_cnt Store the interrupt change times.
12	RO	0x0	isp1_shutter_open ISP1 shutter open High valid.
11	RO	0x0	isp0_shutter_open ISP0 shutter open High valid
10	RO	0x0	hdmirxphy_sram_init_done HDMIRX PHY SRAM initialization done status The bit indicates that the SRAM has been initialized by the boot loader in the Raw PCS.
9	RO	0x0	trng_ns_o_ctrl_secure Non-Secure TRNG status Secure mode output, high valid.
8	RO	0x0	trng_ns_o_ctrl_reminder Non-Secure TRNG status Reseed reminder output, high pulse valid.
7	RO	0x0	trng_ns_o_ctrl_reseeding Non-Secure TRNG status Reseeding activity output, high valid.
6	RO	0x0	trng_ns_o_ctrl_seeded Non-Secure TRNG status (Re)Seeding completion output, high valid.
5	RO	0x0	trng_ns_o_ctrl_rand_bit Non-Secure TRNG status Serial random bit output.
4	RO	0x0	trng_ns_o_ctrl_rand_vld Non-Secure TRNG status Serial random bit valid output, high valid.

Bit	Attr	Reset Value	Description
3:0	RO	0x0	dfi_scramble_ready DFI scramble key is ready, high valid.

**SYS GRF SOC STATUS2**

Address: Operational Base + offset (0x0388)

Bit	Attr	Reset Value	Description
31:6	RO	0x0000000	reserved
5	RO	0x0	rkvenc1_idle_enc_core RKVENC1 idle status
4	RO	0x0	rkvenc1_idle_enc_axi RKVENC1 idle status
3	RO	0x0	rkvenc1_idle_enc_ahb RKVENC1 idle status
2	RO	0x0	rkvenc0_idle_enc_core RKVENC0 idle status
1	RO	0x0	rkvenc0_idle_enc_axi RKVENC0 idle status
0	RO	0x0	rkvenc0_idle_enc_ahb RKVENC0 idle status

**SYS GRF SOC STATUS3**

Address: Operational Base + offset (0x038C)

Bit	Attr	Reset Value	Description
31:20	RO	0x000	reserved
19	RO	0x0	osc_chk_rst_req OSC frequency check error
18	RO	0x0	crc_chk_rst_req_sgrf SGRF in pd_bus crc check error
17	RO	0x0	crc_chk_rst_req_dsusgrf SGRF in pd_core crc check error
16	RO	0x0	crc_chk_rst_req_pmusgrf SGRF in pd_pmu crc check error
15:8	RO	0x00	cpu_wfi CPU WFI status
7:0	RO	0x00	cpu_wfe CPU WFE status

**SYS GRF OTP KEY08**

Address: Operational Base + offset (0x0500)

Bit	Attr	Reset Value	Description
31:1	RO	0x00000000	reserved
0	RO	0x0	key08 The value of OTP address 0x8

**SYS GRF OTP KEY0D**

Address: Operational Base + offset (0x0504)

Bit	Attr	Reset Value	Description
31:1	RO	0x00000000	reserved
0	RO	0x0	key0d The value of OTP address 0xd

**SYS GRF OTP KEY0E**

Address: Operational Base + offset (0x0508)

Bit	Attr	Reset Value	Description
31:1	RO	0x00000000	reserved
0	RO	0x0	key0e The value of OTP address 0xe

**SYS GRF CHIP ID**

Address: Operational Base + offset (0x0600)

Bit	Attr	Reset Value	Description
31:0	RO	0x00003588	chip_id The Chip ID status Reads as 0x3588

**6.6 BIGCORE\_GRF Register Description**

There are two BIGCORE\_GRF modules in RK3588.They have different base address.

**6.6.1 Registers Summary**

Name	Offset	Size	Reset Value	Description
BIGCORE_GRF_PVTPLL_CON0_L	0x0000	W	0x00000000	PVTPLL Control Register 0 Low
BIGCORE_GRF_PVTPLL_CON0_H	0x0004	W	0x00000000	PVTPLL Control Register 0 High
BIGCORE_GRF_PVTPLL_CON1	0x0008	W	0x00000018	PVTPLL Control Register 1
BIGCORE_GRF_PVTPLL_CON2	0x000C	W	0x00040000	PVTPLL Control Register 2
BIGCORE_GRF_PVTPLL_CON3	0x0010	W	0x00000000	PVTPLL Control Register 3
BIGCORE_GRF_MEM_CFG_HSSPRF_L	0x0020	W	0x00008010	Memory Configuration Register For HSSPRF Low
BIGCORE_GRF_MEM_CFG_HSDPRF_L	0x0028	W	0x00000010	Memory Configuration Register For HSDPRF
BIGCORE_GRF_MEM_CFG_HSDPRF_H	0x002C	W	0x00000011	Memory Configuration Register For HSSPRF High
BIGCORE_GRF_CPU_CON0	0x0030	W	0x00000000	CPU Control Register 0

Notes: **Size:** **B**- Byte (8 bits) access, **HW**- Half WORD (16 bits) access, **W**-WORD (32 bits) access, **DW**- Double WORD (64 bits) access

**6.6.2 Detail Registers Description**

**BIGCORE\_GRF\_PVTPLL\_CON0\_L**

Address: Operational Base + offset (0x0000)

Bit	Attr	Reset Value	Description
31:16	WO	0x0000	write_mask Write enable for lower 16bits, each bit is individual 1'b0: Write access disable 1'b1: Write access enable
15	RW	0x0	bypass 1'b0: Support glitch-free frequency conversion. 1'b1: Not support.
14:13	RW	0x0	clk_div_osc Frequency division factor for osc_clk.
12:11	RW	0x0	clk_div_ref Frequency division factor for ref_clk.



Bit	Attr	Reset Value	Description
10:8	RW	0x0	osc_ring_sel Oscillator ring channel select.
7:3	RO	0x00	reserved
2	RW	0x0	out_polar 1'b0: Out=1 when need to increase volt. 1'b1: Out=0 when need to increase volt.
1	RW	0x0	osc_en Oscillator ring enable.
0	RW	0x0	start 1'b1: PVTPLL monitor start.

**BIGCORE GRF PVTPLL CON0 H**

Address: Operational Base + offset (0x0004)

Bit	Attr	Reset Value	Description
31:16	WO	0x0000	write_mask Write enable for lower 16bits, each bit is individual 1'b0: Write access disable 1'b1: Write access enable
15:6	RO	0x000	reserved
5:0	RW	0x00	ring_length_sel Oscillator ring inverter length select.

**BIGCORE GRF PVTPLL CON1**

Address: Operational Base + offset (0x0008)

Bit	Attr	Reset Value	Description
31:0	RW	0x00000018	cal_cnt Target frequency value.

**BIGCORE GRF PVTPLL CON2**

Address: Operational Base + offset (0x000C)

Bit	Attr	Reset Value	Description
31:16	RW	0x0004	ckg_val Clock gating interval control count value.
15:0	RW	0x0000	threshold Count difference threshold value.

**BIGCORE GRF PVTPLL CON3**

Address: Operational Base + offset (0x0010)

Bit	Attr	Reset Value	Description
31:0	RW	0x00000000	ref_cnt Frequency measurement period setting value.

**BIGCORE GRF MEM CFG HSSPRF L**

Address: Operational Base + offset (0x0020)

Bit	Attr	Reset Value	Description
31:16	WO	0x0000	write_mask Write enable for lower 16bits, each bit is individual 1'b0: Write access disable 1'b1: Write access enable

Bit	Attr	Reset Value	Description
15:0	RW	0x8010	grf_bigcore_mem_cfg_hssprf_l bit 0: TEST1 bit 1: TEST_RNM bit 4~2: RM bit 5: WMD bit 7: LS bit 13~12: RA

**BIGCORE GRF MEM CFG HSDPRF L**

Address: Operational Base + offset (0x0028)

Bit	Attr	Reset Value	Description
31:16	WO	0x0000	write_mask Write enable for lower 16bits, each bit is individual 1'b0: Write access disable 1'b1: Write access enable
15:0	RW	0x0010	grf_bigcore_mem_cfg_hsdprf_l bit 0: TEST1A bit 1: TEST_RNMA bit 5~2: RMA bit 6: WMDA bit 8: LS bit 14~13: RA

**BIGCORE GRF MEM CFG HSDPRF H**

Address: Operational Base + offset (0x002C)

Bit	Attr	Reset Value	Description
31:16	WO	0x0000	write_mask Write enable for lower 16bits, each bit is individual 1'b0: Write access disable 1'b1: Write access enable
15:0	RW	0x0011	grf_bigcore_mem_cfg_hsdprf_h bit 1: TEST1B bit 5~2: RMB

**BIGCORE GRF CPU CON0**

Address: Operational Base + offset (0x0030)

Bit	Attr	Reset Value	Description
31:16	WO	0x0000	write_mask Write enable for lower 16bits, each bit is individual 1'b0: Write access disable 1'b1: Write access enable
15:6	RO	0x000	reserved
5	RW	0x0	grf_con_bigcore_mem_cfg_idle_trig A 0 to 1 trigger of grf_con_bigcore_mem_cfg_idle_trig will cause a mem_cfg change when grf_con_bigcore_mem_cfg_idle_en equals to 1.
4	RW	0x0	grf_con_bigcore_mem_cfg_idle_en 1'b0: Mem_cfg is changed by software immediately 1'b1: Mem_cfg is changed when all cpu in wfi
3:0	RW	0x0	bigcore_grf_con_mem_ctrl_from_pmu 1'b0: Mem_cfg is driven by grf 1'b1: Mem_cfg is driven by pmu Each bit for one cpu core

## 6.7 LITCORE\_GRF Register Description

### 6.7.1 Registers Summary

Name	Offset	Size	Reset Value	Description
LITCORE GRF MEM CFG HSSPRF_L	0x0020	W	0x00008010	Memory Configuration Register For HSSPRF
LITCORE GRF MEM CFG HSDPRF_L	0x0028	W	0x00000010	Memory Configuration Register For HSDPRF Low
LITCORE GRF MEM CFG HSDPRF_H	0x002C	W	0x0000000B	Memory Configuration Register For HSDPRF Low
LITCORE GRF CPU CON0	0x0030	W	0x00000000	CPU Control Register 0
LITCORE GRF PVTPLL CON0_L	0x0040	W	0x00000000	PVTPLL Control Register 0 Low
LITCORE GRF PVTPLL CON0_H	0x0044	W	0x00000000	PVTPLL Control Register 0 High
LITCORE GRF PVTPLL CON1	0x0048	W	0x00000018	PVTPLL Control Register 1
LITCORE GRF PVTPLL CON2	0x004C	W	0x00040000	PVTPLL Control Register 2
LITCORE GRF PVTPLL CON3	0x0050	W	0x00000000	PVTPLL Control Register 3

Notes: **B**- Byte (8 bits) access, **HW**- Half WORD (16 bits) access, **W**-WORD (32 bits) access, **DW**- Double WORD (64 bits) access

### 6.7.2 Detail Registers Description

#### LITCORE GRF MEM CFG HSSPRF\_L

Address: Operational Base + offset (0x0020)

Bit	Attr	Reset Value	Description
31:16	WO	0x0000	write_mask Write enable for lower 16bits, each bit is individual 1'b0: Write access disable 1'b1: Write access enable
15:0	RW	0x8010	grf_litcore_mem_cfg_hssprf_l bit 0: TEST1 bit 1: TEST_RNM bit 4~2: RM bit 5: WMD bit 7: LS bit 13~12: RA

#### LITCORE GRF MEM CFG HSDPRF\_L

Address: Operational Base + offset (0x0028)

Bit	Attr	Reset Value	Description
31:16	WO	0x0000	write_mask Write enable for lower 16bits, each bit is individual 1'b0: Write access disable 1'b1: Write access enable
15:0	RW	0x0010	grf_litcore_mem_cfg_hsdprf_l bit 0: TEST1A bit 1: TEST_RNMA bit 5~2: RMA bit 6: WMDA bit 8: LS bit 14~13: RA

**LITCORE GRF MEM CFG HSDPRF H**

Address: Operational Base + offset (0x002C)

Bit	Attr	Reset Value	Description
31:16	WO	0x0000	write_mask Write enable for lower 16bits, each bit is individual 1'b0: Write access disable 1'b1: Write access enable
15:0	RW	0x000b	grf_litcore_mem_cfg_hsdprf_h bit 1: TEST1B bit 5~2: RMB

**LITCORE GRF CPU CON0**

Address: Operational Base + offset (0x0030)

Bit	Attr	Reset Value	Description
31:16	WO	0x0000	write_mask Write enable for lower 16bits, each bit is individual 1'b0: Write access disable 1'b1: Write access enable
15:6	RO	0x000	reserved
5	RW	0x0	grf_con_litcore_mem_cfg_idle_trig A 0 to 1 trigger of grf_con_litcore_mem_cfg_idle_trig will cause a mem_cfg change when grf_con_litcore_mem_cfg_idle_en equals to 1.
4	RW	0x0	grf_con_litcore_mem_cfg_idle_en 1'b0: Mem_cfg is changed by software immediately 1'b1: Mem_cfg is changed when all cpu in wfi
3:0	RW	0x0	litcore_grf_con_mem_ctrl_from_pmu 1'b0: Mem_cfg is driven by grf 1'b1: Mem_cfg is driven by pmu Each bit for one cpu core

**LITCORE GRF PVTPLL CON0 L**

Address: Operational Base + offset (0x0040)

Bit	Attr	Reset Value	Description
31:16	WO	0x0000	write_mask Write enable for lower 16bits, each bit is individual 1'b0: Write access disable 1'b1: Write access enable
15	RW	0x0	bypass 1'b0: Support glitch-free frequency conversion. 1'b1: Not support.
14:13	RW	0x0	clk_div_osc Frequency division factor for osc_clk.
12:11	RW	0x0	clk_div_ref Frequency division factor for ref_clk.
10:8	RW	0x0	osc_ring_sel Oscillator ring channel select.
7:3	RO	0x00	reserved
2	RW	0x0	out_polar 1'b0: Out=1 when need to increase volt. 1'b1: Out=0 when need to increase volt.
1	RW	0x0	osc_en Oscillator ring enable.
0	RW	0x0	start 1'b1: PVTPLL monitor start.

**LITCORE GRF PVTPLL CON0 H**

Address: Operational Base + offset (0x0044)

Bit	Attr	Reset Value	Description
31:16	WO	0x0000	write_mask Write enable for lower 16bits, each bit is individual 1'b0: Write access disable 1'b1: Write access enable
15:6	RO	0x000	reserved
5:0	RW	0x00	ring_length_sel Oscillator ring inverter length select.

**LITCORE GRF PVTPLL CON1**

Address: Operational Base + offset (0x0048)

Bit	Attr	Reset Value	Description
31:0	RW	0x00000018	cal_cnt Target frequency value.

**LITCORE GRF PVTPLL CON2**

Address: Operational Base + offset (0x004C)

Bit	Attr	Reset Value	Description
31:16	RW	0x0004	ckg_val Clock gating interval control count value.
15:0	RW	0x0000	threshold Count difference threshold value.

**LITCORE GRF PVTPLL CON3**

Address: Operational Base + offset (0x0050)

Bit	Attr	Reset Value	Description
31:0	RW	0x00000000	ref_cnt Frequency measurement period setting value.

**6.8 DSU\_GRF Register Description**

**6.8.1 Registers Summary**

Name	Offset	Size	Reset Value	Description
<u>DSU_GRF_CON0</u>	0x0000	W	0x0000FFFF	DSU Control Register 0
<u>DSU_GRF_CON1</u>	0x0004	W	0x0000FFFF	DSU Control Register 1
<u>DSU_GRF_CON2</u>	0x0008	W	0x00000000	DSU Control Register 2
<u>DSU_GRF_CON3</u>	0x000C	W	0x0000FF00	DSU Control Register 3
<u>DSU_GRF_CON4</u>	0x0010	W	0x00000F00	DSU Control Register 4
<u>DSU_GRF_CON5</u>	0x0014	W	0x00000FF0	DSU Control Register 5
<u>DSU_GRF_CON6</u>	0x0018	W	0x00000000	DSU Control Register 6
<u>DSU_GRF_MEM_CFG_HSSPRF_L</u>	0x0020	W	0x00008010	Memory Configuration Register For HSSPRF
<u>DSU_GRF_MEM_CFG_HSDPRF_L</u>	0x0028	W	0x00000010	Memory Configuration Register For HSDPRF Low
<u>DSU_GRF_MEM_CFG_HSDPRF_H</u>	0x002C	W	0x00000011	Memory Configuration Register For HSDPRF High
<u>DSU_GRF_MEM_CFG_HDSPRA_L</u>	0x0030	W	0x00001410	Memory Configuration Register For HDSPRA
<u>DSU_GRF_MEM_CFG_UHDDPRF_L</u>	0x0038	W	0x00008010	Memory Configuration Register For UHDDPRF

Name	Offset	Size	Reset Value	Description
DSU GRF STATUS0	0x0040	W	0x00000000	DSU Status Register 0
DSU GRF STATUS1	0x0044	W	0x00000000	DSU Status Register 1
DSU GRF PVTPLL CON0 L	0x0060	W	0x00000000	PVTPLL Control Register 0 Low
DSU GRF PVTPLL CON0 H	0x0064	W	0x00000000	PVTPLL Control Register 0 High
DSU GRF PVTPLL CON1	0x0070	W	0x00000018	PVTPLL Control Register 1
DSU GRF PVTPLL CON2	0x0074	W	0x00040000	PVTPLL Control Register 2
DSU GRF PVTPLL CON3	0x0078	W	0x00000000	PVTPLL Control Register 3

Notes: **B**- Byte (8 bits) access, **HW**- Half WORD (16 bits) access, **W**-WORD (32 bits) access, **DW**- Double WORD (64 bits) access

## 6.8.2 Detail Registers Description

### DSU GRF CON0

Address: Operational Base + offset (0x0000)

Bit	Attr	Reset Value	Description
31:16	WO	0x0000	write_mask Write enable for lower 16bits, each bit is individual 1'b0: Write access disable 1'b1: Write access enable
15:8	RW	0xff	dsu_grf_con_nirq GRF generate a nirq for each core, for debug usage only
7:0	RW	0xff	dsu_grf_con_nfiq GRF generate a nifiq for each core, for debug usage only

### DSU GRF CON1

Address: Operational Base + offset (0x0004)

Bit	Attr	Reset Value	Description
31:16	WO	0x0000	write_mask Write enable for lower 16bits, each bit is individual 1'b0: Write access disable 1'b1: Write access enable
15:8	RW	0xff	dsu_grf_con_nvirq GRF generate a nvirq for each core, for debug usage only
7:0	RW	0xff	dsu_grf_con_nvfiq GRF generate a nvifiq for each core, for debug usage only

### DSU GRF CON2

Address: Operational Base + offset (0x0008)

Bit	Attr	Reset Value	Description
31:16	WO	0x0000	write_mask Write enable for lower 16bits, each bit is individual 1'b0: Write access disable 1'b1: Write access enable
15:10	RO	0x00	reserved
9	RW	0x0	dsu_grf_mem_ctrl_from_pmu 1'b1: Dsu mem cfg driven by pmu 1'b0: Dsu mem cfg driven by grf
8	RW	0x0	dsu_grf_con_awakeups 1'b1: Wake acp slave interface 1'b0: Not wake acp

Bit	Attr	Reset Value	Description
7:4	RW	0x0	dsu_grf_con_mpmmen 1'b1: Enable max power control for A76 1'b0: Diabile Each bit for a core
3	RW	0x0	dsu_grf_con_pwrq_permit_deny_sar_i 1'b1: Stream adb400 will deny a power request 1'b0: Stream adb400 will accept a power request
2	RW	0x0	dsu_grf_con_pmusnapshotreq 1'b1: Send a pmu snapshot request to DSU 1'b0: Not send
1	RW	0x0	dsu_grf_con_eventoack 1'b1: Send evento acknowledge to DSU 1'b0: Not send
0	RW	0x0	dsu_grf_con_eventireq 1'b1: Send eventi request to DSU 1'b0: Not send

**DSU GRF CON3**

Address: Operational Base + offset (0x000C)

Bit	Attr	Reset Value	Description
31:16	WO	0x0000	write_mask Write enable for lower 16bits, each bit is individual 1'b0: Write access disable 1'b1: Write access enable
15:12	RW	0xf	grf_con_acp_awcache Awwcache control bit for acp
11:8	RW	0xf	grf_con_acp_arcache Arcache ctrl bit for acp
7:6	RO	0x0	reserved
5	RW	0x0	grf_con_interconnect_cgen 1'b1: Interconnect clock gate enable 1'b0: Disable
4:0	RW	0x0	reserved

**DSU GRF CON4**

Address: Operational Base + offset (0x0010)

Bit	Attr	Reset Value	Description
31:16	WO	0x0000	write_mask Write enable for lower 16bits, each bit is individual 1'b0: Write access disable 1'b1: Write access enable
15:0	RW	0x0f00	sys_grf_con_astartmp Start address of MP master

**DSU GRF CON5**

Address: Operational Base + offset (0x0014)

Bit	Attr	Reset Value	Description
31:16	WO	0x0000	write_mask Write enable for lower 16bits, each bit is individual 1'b0: Write access disable 1'b1: Write access enable
15:0	RW	0x0ff0	sys_grf_con_aendmp End address for MP master

**DSU GRF CON6**

Address: Operational Base + offset (0x0018)

Bit	Attr	Reset Value	Description
31:16	WO	0x0000	write_mask Write enable for lower 16bits, each bit is individual 1'b0: Write access disable 1'b1: Write access enable
15	RO	0x0	reserved
14	RW	0x0	grf_con_dsu_mem_cfg_idle_trig A 0 to 1 trigger of grf_con_dsu_mem_cfg_idle_trig will cause a mem_cfg change when grf_con_dsu_mem_cfg_idle_en equals to 1.
13	RW	0x0	grf_con_dsu_mem_cfg_idle_en 1'b0: Mem_cfg is changed by software immediately 1'b1: Mem_cfg is changed when all cpu in wfi
12:11	RW	0x0	grf_con_ardomains Ardomain control for ACP
10:9	RW	0x0	grf_con_awdomains Awdomain control for ACP
8:5	RW	0x0	grf_con_awsnoops Awsnoop ctrl for ACP
4	RW	0x0	grf_con_awstashlpidens AW stashlpiden for ACP
3:0	RW	0x0	grf_con_awstashlpids AW stashlpid for ACP

**DSU GRF MEM CFG HSSPRF L**

Address: Operational Base + offset (0x0020)

Bit	Attr	Reset Value	Description
31:16	WO	0x0000	write_mask Write enable for lower 16bits, each bit is individual 1'b0: Write access disable 1'b1: Write access enable
15:0	RW	0x8010	grf_dsu_mem_cfg_hssprf_l bit 0: TEST1 bit 1: TEST_RNM bit 4~2: RM bit 5: WMD bit 7: LS bit 13~12: RA

**DSU GRF MEM CFG HSDPRF L**

Address: Operational Base + offset (0x0028)

Bit	Attr	Reset Value	Description
31:16	WO	0x0000	write_mask Write enable for lower 16bits, each bit is individual 1'b0: Write access disable 1'b1: Write access enable
15:0	RW	0x0010	grf_dsu_mem_cfg_hssprf_l bit 0: TEST1A bit 1: TEST_RNMA bit 5~2: RMA bit 6: WMDA bit 8: LS bit 14~13: RA



**DSU GRF MEM CFG HSDPRF H**

Address: Operational Base + offset (0x002C)

Bit	Attr	Reset Value	Description
31:16	WO	0x0000	write_mask Write enable for lower 16bits, each bit is individual 1'b0: Write access disable 1'b1: Write access enable
15:0	RW	0x0011	grf_dsu_mem_cfg_hssprf_h bit 1:TEST1B bit 5~2: RMB

**DSU GRF MEM CFG HDSPra L**

Address: Operational Base + offset (0x0030)

Bit	Attr	Reset Value	Description
31:16	WO	0x0000	write_mask Write enable for lower 16bits, each bit is individual 1'b0: Write access disable 1'b1: Write access enable
15:0	RW	0x1410	grf_dsu_mem_cfg_hdspra_l bit 0: TEST1 bit 1: TEST_RNM bit 4~2: RM bit 5: WMD bit 7: LS bit 11~10: WPULSE bit 13~12: RA

**DSU GRF MEM CFG UHDDPRF L**

Address: Operational Base + offset (0x0038)

Bit	Attr	Reset Value	Description
31:16	WO	0x0000	write_mask Write enable for lower 16bits, each bit is individual 1'b0: Write access disable 1'b1: Write access enable
15:0	RW	0x8010	grf_dsu_mem_cfg_uhddprf_l bit 0: TEST1 bit 1: TEST_RNM bit 4~2: RM bit 5: WMDA bit 7: LS

**DSU GRF STATUS0**

Address: Operational Base + offset (0x0040)

Bit	Attr	Reset Value	Description
31:24	RO	0x00	reserved
23	RO	0x0	dsu_grf_st_jtagactive JTAG active status.
22	RO	0x0	dsu_grf_st_swactive JTAG sw active status.
21:19	RO	0x0	reserved
18	RO	0x0	dsu_grf_st_pmusnapshotack PMU snapshot acknowledge
17	RO	0x0	dsu_grf_st_eventoreq EVENTO request.
16	RO	0x0	dsu_grf_st_eventiack EVENTI acknowledge status

Bit	Attr	Reset Value	Description
15:8	RO	0x00	dsu_grf_st_coreinstrret Cpu in retention status Each bit for one core
7:0	RO	0x00	dsu_grf_st_coreinstrrun Core running status, each bit for one core

**DSU GRF STATUS1**

Address: Operational Base + offset (0x0044)

Bit	Attr	Reset Value	Description
31:8	RO	0x000000	reserved
7	RW	0x0	dsu_Probe3_mainStatAlarm Interconnect probe3 alarm
6	RW	0x0	dsu_Probe2_mainStatAlarm Interconnect probe 2 alarm
5	RW	0x0	dsu_Probe1_mainStatAlarm Interconnect probe1 alarm
4	RW	0x0	dsu_Probe0_mainStatAlarm Interconnect probe0 alarm
3	RO	0x0	sys_grf_st_debug_m_i_mainnopendingtrans Interconnect debug_m no pending translation
2	RO	0x0	sys_grf_st_nsp_dsu2main_T_mainNoPendingTrans Interconnect dsu2main no pending translation
1:0	RO	0x0	reserved

**DSU GRF PVTPLL CON0 L**

Address: Operational Base + offset (0x0060)

Bit	Attr	Reset Value	Description
31:16	WO	0x0000	write_mask Write enable for lower 16bits, each bit is individual 1'b0: Write access disable 1'b1: Write access enable
15	RW	0x0	bypass 1'b0: Support glitch-free frequency conversion. 1'b1: Not support.
14:13	RW	0x0	clk_div_osc Frequency division factor for osc_clk.
12:11	RW	0x0	clk_div_ref Frequency division factor for ref_clk.
10:8	RW	0x0	osc_ring_sel Oscillator ring channel select.
7:3	RO	0x00	reserved
2	RW	0x0	out_polar 1'b0: Out=1 when need to increase volt. 1'b1: Out=0 when need to increase volt.
1	RW	0x0	osc_en Oscillator ring enable.
0	RW	0x0	start 1'b1: PVTPLL monitor start.

**DSU GRF PVTPLL CON0 H**

Address: Operational Base + offset (0x0064)

Bit	Attr	Reset Value	Description
31:16	WO	0x0000	write_mask Write enable for lower 16bits, each bit is individual 1'b0: Write access disable 1'b1: Write access enable
15:6	RO	0x000	reserved
5:0	RW	0x00	ring_length_sel Oscillator ring inverter length select.

### DSU GRF PVTPLL CON1

Address: Operational Base + offset (0x0070)

Bit	Attr	Reset Value	Description
31:0	RW	0x00000018	cal_cnt Target frequency value.

### DSU GRF PVTPLL CON2

Address: Operational Base + offset (0x0074)

Bit	Attr	Reset Value	Description
31:16	RW	0x0004	ckg_val Clock gating interval control count value.
15:0	RW	0x0000	threshold Count difference threshold value.

### DSU GRF PVTPLL CON3

Address: Operational Base + offset (0x0078)

Bit	Attr	Reset Value	Description
31:0	RW	0x00000000	ref_cnt Frequency measurement period setting value.

## 6.9 DDR\_GRF Register Description

There are two DDR\_GRF modules in RK3588, DDR01\_GRF and DDR23\_GRF. DDR01\_GRF is for DDR channel 0 and 1. DDR23\_GRF is for DDR channel 2 and 3. They have different base address. For DDR01\_GRF, DDR\_GRF\_CHA\_\* refers to the registers that correspond to DDR channel 0, while DDR\_GRF\_CHB\_\* refers to the registers that correspond to DDR channel 1. For DDR23\_GRF, DDR\_GRF\_CHA\_\* refers to the registers that correspond to DDR channel 2, while DDR\_GRF\_CHB\_\* refers to the registers that correspond to DDR channel 3. Register that doesn't have prefix DDR\_GRF\_CHA or DDR\_GRF\_CHB is shared by channel 0 and 1 or channel 2 and 3 separately.

### 6.9.1 Registers Summary

Name	Offset	Size	Reset Value	Description
<u>DDR GRF CHA CON0</u>	0x0000	W	0x00000040	DDR CHA Control Register 0
<u>DDR GRF CHA CON1</u>	0x0004	W	0x00000080	DDR CHA Control Register 1
<u>DDR GRF CHA CON2</u>	0x0008	W	0x00000000	DDR CHA Control Register 2
<u>DDR GRF CHA CON3</u>	0x000C	W	0x00000000	DDR CHA Control Register 3
<u>DDR GRF CHA CON4</u>	0x0010	W	0x00000000	DDR CHA Control Register 4
<u>DDR GRF CHA CON5</u>	0x0014	W	0x00000000	DDR CHA Control Register 5
<u>DDR GRF CHA CON6</u>	0x0018	W	0x00000000	DDR CHA Control Register 6
<u>DDR GRF CHA CON7</u>	0x001C	W	0x00000010	DDR CHA Control Register 7
<u>DDR GRF CHA CON8</u>	0x0020	W	0x00001F4A	DDR CHA Control Register 8
<u>DDR GRF CHA CON9</u>	0x0024	W	0x000003FF	DDR CHA Control Register 9
<u>DDR GRF CHB CON0</u>	0x0030	W	0x00000040	DDR CHB Control Register 0
<u>DDR GRF CHB CON1</u>	0x0034	W	0x00000080	DDR CHB Control Register 1

Name	Offset	Size	Reset Value	Description
DDR GRF CHB CON2	0x0038	W	0x00000000	DDR CHB Control Register 2
DDR GRF CHB CON3	0x003C	W	0x00000000	DDR CHB Control Register 3
DDR GRF CHB CON4	0x0040	W	0x00000000	DDR CHB Control Register 4
DDR GRF CHB CON5	0x0044	W	0x00000000	DDR CHB Control Register 5
DDR GRF CHB CON6	0x0048	W	0x00000000	DDR CHB Control Register 6
DDR GRF CHB CON7	0x004C	W	0x00000010	DDR CHB Control Register 7
DDR GRF CHB CON8	0x0050	W	0x00008010	DDR CHB Control Register 8
DDR GRF CHB CON9	0x0054	W	0x000003FF	DDR CHB Control Register 9
DDR GRF CHA STATUS0	0x0060	W	0x00000000	DDR CHA Status Register 0
DDR GRF CHA STATUS16	0x00A0	W	0x00000000	DDR CHA Status Register 16
DDR GRF CHA STATUS17	0x00A4	W	0x00000000	DDR CHA Status Register 17
DDR GRF CHA STATUS19	0x00AC	W	0x00000000	DDR CHA Status Register 19
DDR GRF CHB STATUS0	0x00B0	W	0x00000000	DDR CHB Status Register 0
DDR GRF CHB STATUS16	0x00F0	W	0x00000000	DDR CHB Status Register 16
DDR GRF CHB STATUS17	0x00F4	W	0x00000000	DDR CHB Status Register 17
DDR GRF CHB STATUS19	0x00FC	W	0x00000000	DDR CHB Status Register 19
DDR GRF CHA PHY CON0	0x0130	W	0x00000400	DDRPHY CHA Control Register 0
DDR GRF CHB PHY CON0	0x0134	W	0x00000400	DDRPHY CHB Control Register 0
DDR GRF CHA PHY STATUS0	0x0138	W	0x00000000	DDRPHY CHA Status Register 0
DDR GRF CHB PHY STATUS0	0x013C	W	0x00000000	DDRPHY CHB Status Register 1
DDR GRF CON0	0x0140	W	0x0001ADBA	DDR Control Register 0

Notes: **Size:** **B**- Byte (8 bits) access, **HW**- Half WORD (16 bits) access, **W**-WORD (32 bits) access, **DW**- Double WORD (64 bits) access

## 6.9.2 Detail Registers Description

### DDR GRF CHA CON0

Address: Operational Base + offset (0x0000)

Bit	Attr	Reset Value	Description
31:16	WO	0x0000	write_mask Write enable for lower 16bits, each bit is individual 1'b0: Write access disable 1'b1: Write access enable
15	RW	0x0	awpoison_0 DDRCTL AXI write address poison 1'b1: Enable poison on write command 1'b0: Disable
14	RW	0x0	arpoison_0 DDRCTL AXI read address poison 1'b1: Enable poison on read command 1'b0: Disable
13	RW	0x0	awurgent_0 DDRCTL AXI write address urgent 1'b1: Current aw command is urgent 1'b0: Not urgent

Bit	Attr	Reset Value	Description
12	RW	0x0	arurgent_0 DDRCTL AXI read address urgent 1'b1: Current ar command is urgent 1'b0: Not urgent
11:9	RO	0x0	reserved
8	RW	0x0	dis_regs_ecc_syndrome Value of dis_regs_ecc_syndrome. Signal used to hide the value of ECCCSYN* and ECCUSYN* registers for security purposes. When this value is set to 1, reading registers ECCCSYN*/ECCUSYN* returns value 0 always, otherwise it returns appropriate value. If this feature is not used, this port can be tied to 0. The value of dis_regs_ecc_syndrome signal cannot change outside of reset(presetn=0 && core_ddrc_core_rstn=0).
7	RO	0x0	reserved
6	RW	0x1	axi_order_en Enable preserve DDRCTL AXI cmd order counter 1'b1: Enable 1'b0: Disable Please keep default 1'b1 all the time.
5	RW	0x0	ddrctl_a_sysreq_sel DDRCTL AXI hardware low power request by PMU 1'b1: DDRCTL AXI hardware low power request is driven by PMU. 1'b0: DDRCTL AXI hardware low power request is not driven by PMU.
4	RW	0x0	ddrctl_slvrr_enable DDRCTL slave APB error response enable 1'b0: Disable DDRCTL from responding error 1'b1: Enable DDRCTL from responding error
3:0	RO	0x0	reserved

**DDR GRF CHA CON1**

Address: Operational Base + offset (0x0004)

Bit	Attr	Reset Value	Description
31:16	WO	0x0000	write_mask Write enable for lower 16bits, each bit is individual 1'b0: Write access disable 1'b1: Write access enable
15	RO	0x0	reserved
14:13	RW	0x0	dfi_phyupd_type This signal is the DFI PHY-initiated update. This signal indicates which one of the four types of PHY update times is being requested by the dfi_phyupd_req signal. The valid values are as follows: 2'b00: Tphyupd_type0 2'b01: Tphyupd_type1 2'b10: Tphyupd_type2 2'b11: Tphyupd_type3
12:8	RO	0x00	reserved

Bit	Attr	Reset Value	Description
7	RW	0x1	cg_en_ddrphy_mode DDRPHY ctrl_phy_cg_en gate control mode 1'b1: Ctrl_phy_cg_en is set to 1'b1 to gate DDRPHY internal clock according to the status of DDRPHY dfi_phyupd_req or dfi_phymstr_active or when DDRCTL AXI aclk and core clk are both gated. 1'b0: Ctrl_phy_cg_en is set to 1'b1 to gate DDRPHY internal clock according to the status of DDRPHY dfi_phyupd_req or dfi_phymstr_active.
6	RW	0x0	pmu_ddrphy_gate_en Enable PMU auto gate DDRPHY clock function If it is set 1'b1, ctrl_phy_cg_en of DDRPHY will be controlled by PMU. 1'b1: Enable 1'b0: Disable
5	RO	0x0	reserved
4	RW	0x0	ddrctl_syscreq_cg_en DDRCTL core clk gate enable during SR-PD 1'b1: Enable 1'b0: Disable
3	RW	0x0	selfref_type2_en DDRCTL selfrefresh type for auto gate 1'b0: SDRAM is in SR-Powerdown (LPDDR4/5), which was caused by automatic self refresh only. If retry is enabled, this guarantees SRE command is executed correctly without parity error. 1'b1: SDRAM is in SR-Powerdown (LPDDR4/5), which was not caused solely under automatic self refresh control. It could have been caused by hardware low power interface and/or software (PWRCTL.selfref_sw). If retry is enabled, this guarantees SRE command is executed correctly without parity error.
2	RW	0x0	ddrctl_core_cg_en DDRCTL core clk gate enable 1'b1: Enable DDRCTL core clk auto gate 1'b0: Disable
1	RW	0x0	ddrctl_apb_cg_en DDRCTL APB pclk gate enable 1'b1: Enable DDRCTL pclk auto gate 1'b0: Disable
0	RW	0x0	ddrctl_axi_cg_en DDRCTL AXI aclk gate enable 1'b1: Enable DDRCTL AXI auto gate 1'b0: Disable

**DDR GRF CHA CON2**

Address: Operational Base + offset (0x0008)

Bit	Attr	Reset Value	Description
31:16	WO	0x0000	write_mask Write enable for lower 16bits, each bit is individual 1'b0: Write access disable 1'b1: Write access enable

Bit	Attr	Reset Value	Description
15	RW	0x0	csysreq_ddrctl_ddr_gate DDRCTL core hardware low power request by hardware gate control logic 1'b1: DDRCTL core hardware low power request is driven by hardware gate control logic. 1'b0: DDRCTL core hardware low power request is not driven by hardware gate control logic.
14	RO	0x0	reserved
13	RW	0x0	csysreq_ddrctl_pmu DDRCTL core hardware low power request by PMU 1'b1: DDRCTL core hardware low power request is driven by PMU. 1'b0: DDRCTL core hardware low power request is not driven by PMU.
12	RW	0x0	csysreq_aclk_ddr_gate DDRCTL AXI hardware low power request by hardware gate control logic 1'b1: DDRCTL AXI hardware low power request is driven by hardware gate control logic. 1'b0: DDRCTL AXI hardware low power request is not driven by hardware gate control logic.
11	RW	0x0	csysreq_aclk DDRCTL AXI hardware low power request by GRF 1'b1: DDRCTL AXI hardware low power request is driven by DDR01_GRF or DDR23_GRF. 1'b0: DDRCTL AXI hardware low power request is not driven by DDR01_GRF or DDR23_GRF.
10	RW	0x0	cg_en_ddrphy Enable DDRPHY ctrl_phy_cg_en auto gate function 1'b1: Enable 1'b0: Disable
9	RW	0x0	cg_en_axi Enable DDRCTL hardware mode AXI aclk auto gate function 1'b1: Enable 1'b0: Disable
8	RW	0x0	cg_en_core Enable DDRCTL hardware mode core clk auto gate function 1'b1: Enable 1'b0: Disable
7:6	RW	0x0	pre_dfi0_cs_combo_P3 These grf bits drive dfi_cs_P3
5:4	RW	0x0	pre_dfi0_cs_combo_P2 These grf bits drive dfi_cs_P2
3:2	RW	0x0	pre_dfi0_cs_combo_P1 These grf bits drive dfi_cs_P1
1:0	RW	0x0	pre_dfi0_cs_combo_P0 These grf bits drive dfi_cs_P0

**DDR GRF CHA CON3**

Address: Operational Base + offset (0x000C)

Bit	Attr	Reset Value	Description
31:16	WO	0x0000	write_mask Write enable for lower 16bits, each bit is individual 1'b0: Write access disable 1'b1: Write access enable

Bit	Attr	Reset Value	Description
15:8	RW	0x00	silent_threshold_axi Control after how many silent cycles, auto gate will gate DDRCTL aclk
7:0	RW	0x00	silent_threshold_core Control after how many silent cycles, auto gate will gate DDRCTL core clk.

**DDR GRF CHA CON4**

Address: Operational Base + offset (0x0010)

Bit	Attr	Reset Value	Description
31:16	WO	0x0000	write_mask Write enable for lower 16bits, each bit is individual 1'b0: Write access disable 1'b1: Write access enable
15:8	RW	0x00	exit_threshold_axi Exit time from gating DDRCTL aclk
7:0	RW	0x00	silent_threshold_ddrphy Control after how many silent cycles, auto gate will enable ctrl_phy_cg_en to gate DDRPHY clock.

**DDR GRF CHA CON5**

Address: Operational Base + offset (0x0014)

Bit	Attr	Reset Value	Description
31:16	WO	0x0000	write_mask Write enable for lower 16bits, each bit is individual 1'b0: Write access disable 1'b1: Write access enable
15:8	RW	0x00	silent_threshold_rs Control after how many silent cycles, auto gate will gate rs bridge clock Rs bridge is a module to add one pipeline for AXI bus.
7:0	RW	0x00	exit_threshold_core Exit time from gating DDRCTL core clk

**DDR GRF CHA CON6**

Address: Operational Base + offset (0x0018)

Bit	Attr	Reset Value	Description
31:16	WO	0x0000	write_mask Write enable for lower 16bits, each bit is individual 1'b0: Write access disable 1'b1: Write access enable
15:8	RW	0x00	wr_lat_delay Control dfi_lp_data_req high level time during write
7:0	RW	0x00	rd_lat_delay Control dfi_lp_data_req high level time during read

**DDR GRF CHA CON7**

Address: Operational Base + offset (0x001C)

Bit	Attr	Reset Value	Description
31:16	WO	0x0000	write_mask Write enable for lower 16bits, each bit is individual 1'b0: Write access disable 1'b1: Write access enable



Bit	Attr	Reset Value	Description
15:13	RW	0x0	mem_cfg_uhdpdprf_interconnect_i_16_18 Control the mem_cfg bit 16-18 for uhdpdprf for interconnect. bit 0: TESTRWM
12:5	RO	0x00	reserved
4	RW	0x1	ddr_axi_order_en Enable preserve DDR scheduler AXI cmd order counter 1'b1: Enable 1'b0: Disable Please keep default 1'b1 all the time.
3	RW	0x0	ddr_scramble_gate_en Enable auto gate ddr scramble clock between DDR scheduler and DDRCTL 1'b1: Enable 1'b0: Disable
2	RW	0x0	ddr_frs_scramble_gate_en Enable auto gate ddr scramble frs clock between DDR scheduler and DDRCTL 1'b1: Enable 1'b0: Disable
1	RW	0x0	ddr_frs_gate_en Enable auto gate ddr frs clock between DDR scheduler and DDRCTL 1'b1: Enable 1'b0: Disable
0	RW	0x0	ddr_rs_gate_en Enable auto gate ddr rs clock between DDR scheduler and DDRCTL 1'b1: Enable 1'b0: Disable

**DDR GRF CHA CONS**

Address: Operational Base + offset (0x0020)

Bit	Attr	Reset Value	Description
31:16	WO	0x0000	write_mask Write enable for lower 16bits, each bit is individual 1'b0: Write access disable 1'b1: Write access enable
15:0	RW	0x1f4a	mem_cfg_uhdpdprf_interconnect_i_0_15 Control the mem_cfg bit 0-15 for uhdpdprf for interconnect. bit 0: TEST1 bit 1: TEST_RNM bit 4~2: RM bit 5: WMDA bit 7: LS

**DDR GRF CHA CON9**

Address: Operational Base + offset (0x0024)

Bit	Attr	Reset Value	Description
31:16	WO	0x0000	write_mask Write enable for lower 16bits, each bit is individual 1'b0: Write access disable 1'b1: Write access enable

Bit	Attr	Reset Value	Description
15	RW	0x0	ddrctl_a_auto_gate_en Enable DDRCTL core hardware low power gate control logic 1'b1: Enable 1'b0: Disable
14	RW	0x0	ddrctl_auto_gate_en Enable DDRCTL AXI hardware low power gate control logic 1'b1: Enable 1'b0: Disable
13	RW	0x0	ddrctl_bsm_cg_en Enable DDRCTL bsm clock gate function 1'b1: Enable 1'b0: Disable
12:10	RO	0x0	reserved
9:0	RW	0x3ff	ddrctl_clk_gate Each bit will enable an internal auto gate function in DDRCTL 1'b1: Enable 1'b0: Disable

**DDR GRF CHB CON0**

Address: Operational Base + offset (0x0030)

Bit	Attr	Reset Value	Description
31:16	WO	0x0000	write_mask Write enable for lower 16bits, each bit is individual 1'b0: Write access disable 1'b1: Write access enable
15	RW	0x0	awpoison_0 DDRCTL AXI write address poison 1'b1: Enable poison on write command 1'b0: Disable
14	RW	0x0	arpoison_0 DDRCTL AXI read address poison 1'b1: Enable poison on read command 1'b0: Disable
13	RW	0x0	awurgent_0 DDRCTL AXI write address urgent 1'b1: Current aw command is urgent 1'b0: Not urgent
12	RW	0x0	arurgent_0 DDRCTL AXI read address urgent 1'b1: Current ar command is urgent 1'b0: Not urgent
11:9	RO	0x0	reserved
8	RW	0x0	dis_regs_ecc_syndrome Value of dis_regs_ecc_syndrome. Signal used to hide the value of ECCCSYN* and ECCUSYN* registers for security purposes. When this value is set to 1, reading registers ECCCSYN*/ECCUSYN* returns value 0 always, otherwise it returns appropriate value. If this feature is not used, this port can be tied to 0. The value of dis_regs_ecc_syndrome signal cannot change outside of reset(presetn=0 && core_ddrc_core_rstn=0).
7	RO	0x0	reserved

Bit	Attr	Reset Value	Description
6	RW	0x1	axi_order_en Enable preserve DDRCTL AXI cmd order counter 1'b1: Enable 1'b0: Disable Please keep default 1'b1 all the time.
5	RW	0x0	ddrctl_a_sysreq_sel DDRCTL AXI hardware low power request by PMU 1'b1: DDRCTL AXI hardware low power request is driven by PMU. 1'b0: DDRCTL AXI hardware low power request is not driven by PMU.
4	RW	0x0	ddrctl_slvrr_enable DDRCTL slave APB error response enable 1'b0: Disable DDRCTL from responding error 1'b1: Enable DDRCTL from responding error
3:0	RO	0x0	reserved

**DDR GRF CHB CON1**

Address: Operational Base + offset (0x0034)

Bit	Attr	Reset Value	Description
31:16	WO	0x0000	write_mask Write enable for lower 16bits, each bit is individual 1'b0: Write access disable 1'b1: Write access enable
15	RO	0x0	reserved
14:13	RW	0x0	dfi_phyupd_type This signal is the DFI PHY-initiated update. This signal indicates which one of the four types of PHY update times is being requested by the dfi_phyupd_req signal. The valid values are as follows: 2'b00: Tphyupd_type0 2'b01: Tphyupd_type1 2'b10: Tphyupd_type2 2'b11: Tphyupd_type3
12:8	RO	0x00	reserved
7	RW	0x1	cg_en_ddrphy_mode DDRPHY ctrl_phy_cg_en gate control mode 1'b1: Ctrl_phy_cg_en is set to 1'b1 to gate DDRPHY internal clock according to the status of DDRPHY dfi_phyupd_req or dfi_phymstr_active or when DDRCTL AXI ack and core clk are both gated. 1'b0: Ctrl_phy_cg_en is set to 1'b1 to gate DDRPHY internal clock according to the status of DDRPHY dfi_phyupd_req or dfi_phymstr_active.
6	RW	0x0	pmu_ddrphy_gate_en Enable PMU auto gate DDRPHY clock function If it is set 1'b1, ctrl_phy_cg_en of DDRPHY will be controlled by PMU. 1'b1: Enable 1'b0: Disable
5	RO	0x0	reserved
4	RW	0x0	ddrctl_syscreq_cg_en DDRCTL core clk gate enable during SR-PD 1'b1: Enable 1'b0: Disable

Bit	Attr	Reset Value	Description
3	RW	0x0	selfref_type2_en DDRCTL selfrefresh type for auto gate 1'b0: SDRAM is in SR-Powerdown (LPDDR4/5), which was caused by automatic self refresh only. If retry is enabled, this guarantees SRE command is executed correctly without parity error. 1'b1: SDRAM is in SR-Powerdown (LPDDR4/5), which was not caused solely under automatic self refresh control. It could have been caused by hardware low power interface and/or software (PWRCTL.selfref_sw). If retry is enabled, this guarantees SRE command is executed correctly without parity error.
2	RW	0x0	ddrctl_core_cg_en DDRCTL core clk gate enable 1'b1: Enable DDRCTL core clk auto gate 1'b0: Disable
1	RW	0x0	ddrctl_apb_cg_en DDRCTL APB pclk gate enable 1'b1: Enable DDRCTL pclk auto gate 1'b0: Disable
0	RW	0x0	ddrctl_axi_cg_en DDRCTL AXI aclk gate enable 1'b1: Enable DDRCTL AXI auto gate 1'b0: Disable

**DDR GRF CHB CON2**

Address: Operational Base + offset (0x0038)

Bit	Attr	Reset Value	Description
31:16	WO	0x0000	write_mask Write enable for lower 16bits, each bit is individual 1'b0: Write access disable 1'b1: Write access enable
15	RW	0x0	csysreq_upctl_ddr_gate DDRCTL core hardware low power request by hardware gate control logic 1'b1: DDRCTL core hardware low power request is driven by hardware gate control logic. 1'b0: DDRCTL core hardware low power request is not driven by hardware gate control logic.
14	RO	0x0	reserved
13	RW	0x0	csysreq_upctl_pmu DDRCTL core hardware low power request by PMU 1'b1: DDRCTL core hardware low power request is driven by PMU. 1'b0: DDRCTL core hardware low power request is not driven by PMU.
12	RW	0x0	csysreq_aclk_ddr_gate DDRCTL AXI hardware low power request by hardware gate control logic 1'b1: DDRCTL AXI hardware low power request is driven by hardware gate control logic. 1'b0: DDRCTL AXI hardware low power request is not driven by hardware gate control logic.

Bit	Attr	Reset Value	Description
11	RW	0x0	csysreq_ack DDRCTL AXI hardware low power request by GRF 1'b1: DDRCTL AXI hardware low power request is driven by DDR01_GRF or DDR23_GRF. 1'b0: DDRCTL AXI hardware low power request is not driven by DDR01_GRF or DDR23_GRF.
10	RW	0x0	cg_en_ddrphy Enable DDRPHY ctrl_phy_cg_en auto gate function 1'b1: Enable 1'b0: Disable
9	RW	0x0	cg_en_axi Enable DDRCTL hardware mode AXI ack auto gate function 1'b1: Enable 1'b0: Disable
8	RW	0x0	cg_en_core Enable DDRCTL hardware mode core clk auto gate function 1'b1: Enable 1'b0: Disable
7:6	RW	0x0	pre_dfi0_cs_combo_P3 These grf bits drive dfi_cs_P3
5:4	RW	0x0	pre_dfi0_cs_combo_P2 These grf bits drive dfi_cs_P2
3:2	RW	0x0	pre_dfi0_cs_combo_P1 These grf bits drive dfi_cs_P1
1:0	RW	0x0	pre_dfi0_cs_combo_P0 These grf bits drive dfi_cs_P0

**DDR GRF CHB CON3**

Address: Operational Base + offset (0x003C)

Bit	Attr	Reset Value	Description
31:16	WO	0x0000	write_mask Write enable for lower 16bits, each bit is individual 1'b0: Write access disable 1'b1: Write access enable
15:8	RW	0x00	silent_threshold_axi Control after how many silent cycles, auto gate will gate DDRCTL ack
7:0	RW	0x00	silent_threshold_core Control after how many silent cycles, auto gate will gate DDRCTL core clk.

**DDR GRF CHB CON4**

Address: Operational Base + offset (0x0040)

Bit	Attr	Reset Value	Description
31:16	WO	0x0000	write_mask Write enable for lower 16bits, each bit is individual 1'b0: Write access disable 1'b1: Write access enable
15:8	RW	0x00	exit_threshold_axi Exit time from gating DDRCTL ack
7:0	RW	0x00	silent_threshold_ddrphy Control after how many silent cycles, auto gate will enable ctrl_phy_cg_en to gate DDRPHY clock.

**DDR GRF CHB CON5**

## RK3588 TRM-Part1

Address: Operational Base + offset (0x0044)

Bit	Attr	Reset Value	Description
31:16	WO	0x0000	write_mask Write enable for lower 16bits, each bit is individual 1'b0: Write access disable 1'b1: Write access enable
15:2	RO	0x0000	reserved
1	RW	0x0	silent_threshold_rs Control after how many silent cycles, auto gate will gate rs bridge clock Rs bridge is a module to add one pipeline for AXI bus.
0	RW	0x0	exit_threshold_ddrc Exit time from gating DDRCTL core clk

### **DDR GRF CHB CON6**

Address: Operational Base + offset (0x0048)

Bit	Attr	Reset Value	Description
31:16	WO	0x0000	write_mask Write enable for lower 16bits, each bit is individual 1'b0: Write access disable 1'b1: Write access enable
15:8	RW	0x00	wr_lat_delay Control dfi_lp_data_req high level time during write
7:0	RW	0x00	rd_lat_delay Control dfi_lp_data_req high level time during read

### **DDR GRF CHB CON7**

Address: Operational Base + offset (0x004C)

Bit	Attr	Reset Value	Description
31:16	WO	0x0000	write_mask Write enable for lower 16bits, each bit is individual 1'b0: Write access disable 1'b1: Write access enable
15:13	RW	0x0	mem_cfg_uhdpdprf_interconnect_i_16_18 Control the mem_cfg bit 16-18 for uhdpdprf for interconnect. bit 0: TESTRWM
12:5	RO	0x00	reserved
4	RW	0x1	ddr_axi_order_en Enable preserve DDR scheduler AXI cmd order counter 1'b1: Enable 1'b0: Disable Please keep default 1'b1 all the time.
3	RW	0x0	ddr_scramble_gate_en Enable auto gate ddr scramble clock between DDR scheduler and DDRCTL 1'b1: Enable 1'b0: Disable
2	RW	0x0	ddr_frs_scramble_gate_en Enable auto gate ddr scramble frs clock between DDR scheduler and DDRCTL 1'b1: Enable 1'b0: Disable

Bit	Attr	Reset Value	Description
1	RW	0x0	ddr_frs_gate_en Enable auto gate ddr frs clock between DDR scheduler and DDRCTL 1'b1: Enable 1'b0: Disable
0	RW	0x0	ddr_rs_gate_en Enable auto gate ddr rs clock between DDR scheduler and DDRCTL 1'b1: Enable 1'b0: Disable

**DDR GRF CHB CONS**

Address: Operational Base + offset (0x0050)

Bit	Attr	Reset Value	Description
31:16	WO	0x0000	write_mask Write enable for lower 16bits, each bit is individual 1'b0: Write access disable 1'b1: Write access enable
15:0	RW	0x8010	mem_cfg_uhdpdprf_interconnect_i_0_15 Control the mem_cfg bit 0-15 for uhdpdprf for interconnect. bit 0: TEST1 bit 1: TEST_RNM bit 4~2: RM bit 5: WMDA bit 7: LS

**DDR GRF CHB CON9**

Address: Operational Base + offset (0x0054)

Bit	Attr	Reset Value	Description
31:16	WO	0x0000	write_mask Write enable for lower 16bits, each bit is individual 1'b0: Write access disable 1'b1: Write access enable
15	RW	0x0	upctl_a_auto_gate_en Enable DDRCTL core hardware low power gate control logic 1'b1: Enable 1'b0: Disable
14	RW	0x0	upctl_auto_gate_en Enable DDRCTL AXI hardware low power gate control logic 1'b1: Enable 1'b0: Disable
13	RW	0x0	ddrc_bsm_cg_en Enable DDRCTL bsm clock gate function 1'b1: Enable 1'b0: Disable
12:10	RO	0x0	reserved
9:0	RW	0x3ff	ddr_clk_gate Each bit will enable an internal auto gate function in DDRCTL 1'b1: Enable 1'b0: Disable

**DDR GRF CHA STATUS0**

Address: Operational Base + offset (0x0060)

Bit	Attr	Reset Value	Description
31:0	RO	0x00000000	st_mrr_data0 MRR data from DDRCTL

**DDR GRF CHA STATUS16**

Address: Operational Base + offset (0x00A0)

Bit	Attr	Reset Value	Description
31:11	RO	0x0000000	reserved
10	RO	0x0	st_write_overflow DDR scramble write overflow status 1'b0: Not overflow 1'b1: Overflow
9	RO	0x0	st_read_overflow DDR scramble read overflow status 1'b0: Not overflow 1'b1: Overflow
8	RO	0x0	scramble_shift_ready Scramble shift ready status 1'b0: Not ready 1'b1: Ready
7:6	RO	0x0	st_stat_ddrc_reg_selfref_type DDRCTL selfrefresh type status Flags if SR-Powerdown is entered and if it was under automatic self refresh control only or not. 2'b00: SDRAM is not in SR-Powerdown. 2'b01: SDRAM is in self refresh, which was caused by PHY master request. 2'b10: SDRAM is in SR-Powerdown, which was not caused solely under automatic self refresh control. 2'b11: SDRAM is in SR-Powerdown, which was caused by automatic self refresh only.
5	RO	0x0	st_cactive_ack DDRCTL ack cactive status 1'b0: Not active 1'b1: Active
4	RO	0x0	st_csysack_ack DDRCTL ack csysack status 1'b0: Low power request is acknowledged. 1'b1: Low power request is not acknowledged.
3	RO	0x0	st_csysreq_ack DDRCTL ack csysreq status 1'b0: Low power request 1'b1: No low power request
2	RO	0x0	st_cactive_ddrc DDRCTL core cactive status 1'b0: Not active 1'b1: Active
1	RO	0x0	st_csysack_ddrc DDRCTL core low power ack status 1'b0: Low power request is acknowledged. 1'b1: Low power request is not acknowledged.
0	RO	0x0	st_csysreq_ddrc DDRCTL core low power request status 1'b0: Low power request. 1'b1: No low power request.



**DDR GRF CHA STATUS17**

Address: Operational Base + offset (0x00A4)

Bit	Attr	Reset Value	Description
31	RO	0x0	reserved
30:24	RO	0x00	st_wrecc_credit_cnt DDRCTL wrecc credit count
23	RO	0x0	reserved
22:16	RO	0x00	st_wr_credit_cnt DDRCTL wr credit count
15	RO	0x0	reserved
14:8	RO	0x00	st_hpr_credit_cnt DDRCTL hpr credit count
7	RO	0x0	reserved
6:0	RO	0x00	st_lpr_credit_cnt DDRCTL lpr credit count

**DDR GRF CHA STATUS19**

Address: Operational Base + offset (0x00AC)

Bit	Attr	Reset Value	Description
31:20	RO	0x000	reserved
19:18	RO	0x0	st_derate_temp_limit_intr_fault This signal is the derate temperature limit fault. This is a version of derate_temp_limit_intr, which can not be disabled or forced via a register. It is a 2-bit antivalent signal with encoding as follows: 2'b01: No Fault 2'b10: Fault Detected
17:16	RO	0x0	st_rd_linkecc_corr_err_intr_fault This signal is the read Link-ECC corrected error fault. This is a version of rd_linkecc_corr_err_intr which can not be disabled or forced through a register. It is a 2-bit antivalent signal with encoding of 2'b01: No Fault 2'b10: Fault Detected
15:14	RO	0x0	st_rd_linkecc_uncorr_err_intr_fault This signal is the read Link-ECC uncorrected error fault. This is a version of rd_linkecc_uncorr_err_intr, which can not be disabled or forced through a register. It is a 2-bit antivalent signal with encoding as follows: 2'b01: No Fault 2'b10: Fault Detected
13:12	RO	0x0	st_ecc_ap_err_intr_fault This signal is the ECC address protection fault. This is a version of ecc_ap_err_intr which can not be disabled or forced through a register. It is a 2-bit antivalent signal with encoding as follows: 2'b01: No Fault 2'b10: Fault Detected
11:10	RO	0x0	st_ecc_uncorrected_err_intr_fault This signal is the ECC uncorrected error fault. This is a version of ecc_uncorrected_err_intr which can not be disabled or forced through a register. It is a 2-bit antivalent signal with encoding as follows: 2'b01: No Fault 2'b10: Fault Detected

Bit	Attr	Reset Value	Description
9:8	RO	0x0	st_ecc_corrected_err_intr_fault This signal is the ECC corrected error fault. This is a version of ecc_corrected_err_intr which can not be disabled or forced through register. It is a 2-bit antivalent signal with encoding as follows: 2'b01: No Fault 2'b10: Fault Detected
7:6	RO	0x0	reserved
5:0	RO	0x00	st_hif_refresh_req_bank This signal indicates the next bank that is refreshed (channel 1); for multi-rank configurations, the bank number is reported independently for each rank, and the information for all ranks is concatenated to form this signal.

**DDR GRF CHB STATUS0**

Address: Operational Base + offset (0x00B0)

Bit	Attr	Reset Value	Description
31:0	RO	0x00000000	st_mrr_data0 MRR data from DDRCTL

**DDR GRF CHB STATUS16**

Address: Operational Base + offset (0x00F0)

Bit	Attr	Reset Value	Description
31:11	RO	0x000000	reserved
10	RO	0x0	st_write_overflow DDR scramble write overflow status 1'b0: Not overflow 1'b1: Overflow
9	RO	0x0	st_read_overflow DDR scramble read overflow status 1'b0: Not overflow 1'b1: Overflow
8	RO	0x0	scramble_shift_ready Scramble shift ready status 1'b0: Not ready 1'b1: Ready
7:6	RO	0x0	st_ddrc_reg_selfref_type DDRCTL selfrefresh type status Flags if SR-Powerdown is entered and if it was under automatic self refresh control only or not. 2'b00: SDRAM is not in SR-Powerdown. 2'b01: SDRAM is in self refresh, which was caused by PHY master request. 2'b10: SDRAM is in SR-Powerdown, which was not caused solely under automatic self refresh control. 2'b11: SDRAM is in SR-Powerdown, which was caused by automatic self refresh only.
5	RO	0x0	st_cactive_aclk DDRCTL aclk cactive status 1'b0: Not active 1'b1: Active

Bit	Attr	Reset Value	Description
4	RO	0x0	st_csysack_ack DDRCTL ack csysack status 1'b0: Low power request is acknowledged. 1'b0: Low power request is not acknowledged.
3	RO	0x0	st_csysreq_ack DDRCTL ack csysreq status 1'b0: Low power request 1'b1: No low power request
2	RO	0x0	st_cactive_ddrc DDRCTL core cactive status 1'b0: Not active 1'b1: Active
1	RO	0x0	st_csysack_ddrc DDRCTL core low power ack status 1'b0: Low power request is acknowledged. 1'b0: Low power request is not acknowledged.
0	RO	0x0	st_csysreq_ddrc DDRCTL core low power request status 1'b0: Low power request. 1'b1: No low power request.

**DDR GRF CHB STATUS17**

Address: Operational Base + offset (0x00F4)

Bit	Attr	Reset Value	Description
31	RO	0x0	reserved
30:24	RO	0x00	st_wrecc_credit_cnt DDRCTL wrecc credit count
23	RO	0x0	reserved
22:16	RO	0x00	st_wr_credit_cnt DDRCTL wr credit count
15	RO	0x0	reserved
14:8	RO	0x00	st_hpr_credit_cnt DDRCTL hpr credit count
7	RO	0x0	reserved
6:0	RO	0x00	st_lpr_credit_cnt DDRCTL lpr credit count

**DDR GRF CHB STATUS19**

Address: Operational Base + offset (0x00FC)

Bit	Attr	Reset Value	Description
31:20	RO	0x000	reserved
19:18	RO	0x0	st_derate_temp_limit_intr_fault This signal is the derate temperature limit fault. This is a version of derate_temp_limit_intr, which can not be disabled or forced via a register. It is a 2-bit antivalent signal with encoding as follows: 2'b01: No Fault 2'b10: Fault Detected
17:16	RO	0x0	st_rd_linkecc_corr_err_intr_fault This signal is the read Link-ECC corrected error fault. This is a version of rd_linkecc_corr_err_intr which can not be disabled or forced through a register. It is a 2-bit antivalent signal with encoding of 2'b01: No Fault 2'b10: Fault Detected

Bit	Attr	Reset Value	Description
15:14	RO	0x0	st_rd_linkecc_uncorr_err_intr_fault This signal is the read Link-ECC uncorrected error fault. This is a version of rd_linkecc_uncorr_err_intr, which can not be disabled or forced through a register. It is a 2-bit antivalent signal with encoding as follows: 2'b01: No Fault 2'b10: Fault Detected
13:12	RO	0x0	st_ecc_ap_err_intr_fault This signal is the ECC address protection fault. This is a version of ecc_ap_err_intr which can not be disabled or forced through a register. It is a 2-bit antivalent signal with encoding as follows: 2'b01: No Fault 2'b10: Fault Detected
11:10	RO	0x0	st_ecc_uncorrected_err_intr_fault This signal is the ECC uncorrected error fault. This is a version of ecc_uncorrected_err_intr which can not be disabled or forced through a register. It is a 2-bit antivalent signal with encoding as follows: 2'b01: No Fault 2'b10: Fault Detected
9:8	RO	0x0	st_ecc_corrected_err_intr_fault This signal is the ECC corrected error fault. This is a version of ecc_corrected_err_intr which can not be disabled or forced through register. It is a 2-bit antivalent signal with encoding as follows: 2'b01: No Fault 2'b10: Fault Detected
7:6	RO	0x0	reserved
5:0	RO	0x00	st_hif_refresh_req_bank This signal indicates the next bank that is refreshed (channel 1); for multi-rank configurations, the bank number is reported independently for each rank, and the information for all ranks is concatenated to form this signal.

**DDR GRF CHA PHY CON0**

Address: Operational Base + offset (0x0130)

Bit	Attr	Reset Value	Description
31:16	WO	0x0000	write_mask Write enable for lower 16bits, each bit is individual 1'b0: Write access disable 1'b1: Write access enable
15	RO	0x0	reserved
14	RW	0x0	ddrphy_pclk_cg_en DDRPHY APB pclk clock gate enable 1'b1: Enable 1'b0: Disable
13	RW	0x0	ctrl_clkm_cg_en DDRPHY master DLL clock gating enable. 1'b0: DDRPHY master DLL clock gating is disabled. 1'b1: DDRPHY master DLL clock gating is enabled.
12:11	RW	0x0	dfi_phymstr_type Value of dfi_phymstr_type
10	RW	0x1	dfi_phymstr_state_sel Value of dfi_phymastr_state_sel

Bit	Attr	Reset Value	Description
9:8	RW	0x0	dfi_phymstr_cs_state Value of dfi_phymstr_cs_state
7	RW	0x0	dfi_init_start Value of dfi_init_start
6	RW	0x0	dfi_init_start_sel DDRPHY dfi_init_start select 1'b0: DDRPHY dfi_init_start is driven by DDRCTL 1'b1: DDRPHY dfi_init_start is driven by DDR01_GRF or DDR23_GRF
5	RW	0x0	dfi_init_complete Value of dfi_init_complete
4	RW	0x0	dfi_init_complete_sel DDRCTL dfi_init_complete select 1'b0: DDRCTL dfi_init_complete is driven by DDRPHY 1'b1: DDRCTL dfi_init_complete is driven by DDR01_GRF or DDR23_GRF
3	RW	0x0	ddrphy2xclkgate_enable Root clock gating control of DDRPHY. It controls clock gating of clk_phy2x. Set this pin to low to enable clock gating for clk_phy2x. For normal operation and DDRPHY test mode, this pin should be high. Root clock gating should be enabled while dfi_dram_clk_disable=1'b1.
2	RW	0x0	i_g_drcg_en Dynamic regional clock gating control for DDRPHY. DRCG refers to clock gating controlled by pcl_pd field in LP_CON0 register. 1'b1: DRCG is enabled regardless of pcl_pd field 1'b0: DRCG will be controlled by pcl_pd field in LP_CON0
1:0	RW	0x0	dvfs_clk_mode DVFS mode select for clock mode between DFI clock and DFI PHY clock. This signal controls which DVFS register sets will be used after frequency change. 2'b00: Normal mode 2'b01: DVFS0 mode 2'b10: DVFS1 mode

**DDR GRF CHB PHY CON0**

Address: Operational Base + offset (0x0134)

Bit	Attr	Reset Value	Description
31:16	WO	0x0000	write_mask Write enable for lower 16bits, each bit is individual 1'b0: Write access disable 1'b1: Write access enable
15	RO	0x0	reserved
14	RW	0x0	ddrphy_pclk_cg_en DDRPHY APB pclk clock gate enable 1'b1: Enable 1'b0: Disable
13	RW	0x0	ctrl_clkm_cg_en DDRPHY master DLL clock gating enable. 1'b0: DDRPHY master DLL clock gating is disabled. 1'b1: DDRPHY master DLL clock gating is enabled.
12:11	RW	0x0	dfi_phymstr_type Value of dfi_phymstr_type
10	RW	0x1	dfi_phymstr_state_sel Value of dfi_phymastr_state_sel

Bit	Attr	Reset Value	Description
9:8	RW	0x0	dfi_phymstr_cs_state Value of dfi_phymstr_cs_state
7	RW	0x0	dfi_init_start Value of dfi_init_start
6	RW	0x0	dfi_init_start_sel DDRPHY dfi_init_start select 1'b0: DDRPHY dfi_init_start is driven by DDRCTL 1'b1: DDRPHY dfi_init_start is driven by DDR01_GRF or DDR23_GRF
5	RW	0x0	dfi_init_complete Value of dfi_init_complete
4	RW	0x0	dfi_init_complete_sel DDRCTL dfi_init_complete select 1'b0: DDRCTL dfi_init_complete is driven by DDRPHY 1'b1: DDRCTL dfi_init_complete is driven by DDR01_GRF or DDR23_GRF
3	RW	0x0	ddrphy2xclkgate_enable Root clock gating control of DDRPHY. It controls clock gating of clk_phy2x. Set this pin to low to enable clock gating for clk_phy2x. For normal operation and DDRPHY test mode, this pin should be high. Root clock gating should be enabled while dfi_dram_clk_disable=1'b1.
2	RW	0x0	i_g_drcg_en Dynamic regional clock gating control for DDRPHY. DRCG refers to clock gating controlled by pcl_pd field in LP_CON0 register. 1'b1: DRCG is enabled regardless of pcl_pd field 1'b0: DRCG will be controlled by pcl_pd field in LP_CON0
1:0	RW	0x0	dvfs_clk_mode DVFS mode select for clock mode between DFI clock and DFI PHY clock. This signal controls which DVFS register sets will be used after frequency change. 2'b00: Normal mode 2'b01: DVFS0 mode 2'b10: DVFS1 mode

**DDR GRF CHA PHY STATUS0**

Address: Operational Base + offset (0x0138)

Bit	Attr	Reset Value	Description
31:5	RO	0x0000000	reserved
4	RO	0x0	st_dfi_init_complete Dfi_init_complete status
3	RO	0x0	st_dfi_init_start Dfi_init_start status
2	RO	0x0	st_ddrphy2xclkgate_enout Status of ddrphy2xclkgate_enout signal. This is a feed-through signal of ddrphy2xclkgate_enable. This signal can be monitored to get the status of ddrphy2xclkgate_enable signal.
1	RO	0x0	st_dfi_phymstr_active DDRPHY phymstr_active status
0	RO	0x0	st_dfi_error DDRPHY dfi error status Indicates that the DDRPHY has detected an error condition such as read FIFO pointer error, conflict DLL update and wrdata and conflict DLL update and rddata.

**DDR GRF CHB PHY STATUS0**

Address: Operational Base + offset (0x013C)

Bit	Attr	Reset Value	Description
31:5	RO	0x0000000	reserved
4	RO	0x0	st_dfi_init_complete Dfi_init_complete status
3	RO	0x0	st_dfi_init_start Dfi_init_start status
2	RO	0x0	st_ddrphy2xclkgate_enout Status of ddrphy2xclkgate_enout signal. This is a feed-through signal of ddrphy2xclkgate_enable. This signal can be monitored to get the status of ddrphy2xclkgate_enable signal.
1	RO	0x0	st_dfi_phymstr_active DDRPHY phymstr_active status
0	RO	0x0	st_dfi_error DDRPHY dfi error status Indicates that the DDRPHY has detected an error condition such as read FIFO pointer error, conflict DLL update and wrdata and conflict DLL update and rddata.

**DDR GRF CON0**

Address: Operational Base + offset (0x0140)

Bit	Attr	Reset Value	Description
31:24	RO	0x00	reserved
23:0	RW	0x01adba	mem_cfg_hsdprf_ddrctl Control the mem_cfg bit 0-21 for hsdprf for DDRCTL. bit 0: TEST1A bit 1: TEST_RNMA bit 5~2: RMA bit 6: WMDA bit 8: LS bit 14~13: RA bit 17: TEST1B bit 21~18: RMB

**6.10 CENTER\_GRF Register Description**

**6.10.1 Registers Summary**

Name	Offset	Size	Reset Value	Description
CENTER GRF SOC CON0	0x0000	W	0x00008010	CENTER GRF Control Register 0
CENTER GRF SOC CON1	0x0004	W	0x00001410	CENTER GRF Control Register 1
CENTER GRF SOC CON2	0x0008	W	0x00008010	CENTER GRF Control Register 2
CENTER GRF SOC CON3	0x000C	W	0x00001410	CENTER GRF Control Register 3
CENTER GRF SOC CON4	0x0010	W	0x0000C000	CENTER GRF Control Register 4
CENTER GRF SOC CON7	0x001C	W	0x00000000	CENTER GRF Control Register 7
CENTER GRF SOC CON8	0x0020	W	0x00000000	CENTER GRF Control Register 8
CENTER GRF SOC STATU S1	0x0044	W	0x00000000	CENTER GRF Status Register 1

Notes: **Size: B**- Byte (8 bits) access, **HW**- Half WORD (16 bits) access, **W**-WORD (32 bits) access, **DW**- Double WORD (64 bits) access

**6.10.2 Detail Registers Description**

**CENTER GRF SOC CON0**

## RK3588 TRM-Part1

Address: Operational Base + offset (0x0000)

Bit	Attr	Reset Value	Description
31:19	RO	0x0000	reserved
18:0	RW	0x08010	mem_cfg_uhdprf_dma2ddr_i bit 0: TEST1 bit 1: TEST_RNM bit 4~2: RM bit 5: WMDA bit 7: LS

### **CENTER GRF SOC CON1**

Address: Operational Base + offset (0x0004)

Bit	Attr	Reset Value	Description
31:16	RO	0x0000	reserved
15:0	RW	0x1410	mem_cfg_hdspra_shrm_i bit 0: TEST1 bit 1: TEST_RNM bit 4~2: RM bit 5: WMD bit 7: LS bit 11~10: WPULSE bit 13~12: RA

### **CENTER GRF SOC CON2**

Address: Operational Base + offset (0x0008)

Bit	Attr	Reset Value	Description
31:19	RO	0x0000	reserved
18:0	RW	0x08010	mem_cfg_uhdprf_interconnect_i bit 0: TEST1 bit 1: TEST_RNM bit 4~2: RM bit 5: WMDA bit 7: LS

### **CENTER GRF SOC CON3**

Address: Operational Base + offset (0x000C)

Bit	Attr	Reset Value	Description
31:16	RO	0x0000	reserved
15:0	RW	0x1410	mem_cfg_hdsprf_ddrtcm_i bit 0: TEST1 bit 1: TEST_RNM bit 4~2: RM bit 5: WMDA bit 7: LS

### **CENTER GRF SOC CON4**

Address: Operational Base + offset (0x0010)

Bit	Attr	Reset Value	Description
31:16	WO	0x0000	write_enable Write enable for lower 16bits, each bit is individual 1'b0: Write access disable 1'b1: Write access enable
15	RW	0x1	grf_con_ddrch23_ena 1'b1: Enable simultaneously configure ddr ch2 and ddr ch3 function. 1'b0: Disable.



Bit	Attr	Reset Value	Description
14	RW	0x1	grf_con_ddrch01_ena 1'b1: Enable simultaneously configure ddr ch0 and ddr ch1 function. 1'b0: Disable.
13:10	RO	0x0	reserved
9	RW	0x0	grf_mcu_ddrcfg_mode_sel 1'b1: Enable mcu configure ddr mode. 1'b0: Disable.
8:0	RO	0x0	reserved

**CENTER GRF SOC CON7**

Address: Operational Base + offset (0x001C)

Bit	Attr	Reset Value	Description
31:1	RO	0x00000000	reserved
0	RW	0x0	grf_con_ddr_mcu_stcalib Bit 0-23 provides an integer value to compute a 10ms delay from the reference clock is not implemented. Bit 24 1'b0: If the system timer clock or SCLK , can guarantee an exact multiple of 10ms. 1'b1: System timer clock of SCLK can not guarantee an exact multiple of 10ms. Bit 25 indicate no alternative reference clock source has been integrated. 1 means STCLKEN has been tie off.

**CENTER GRF SOC CON8**

Address: Operational Base + offset (0x0020)

Bit	Attr	Reset Value	Description
31:9	RO	0x0000000	reserved
8	RW	0x0	grf_con_wdt_pause_en Center wdt pause enable. Used to freeze the watchdog counter during pause mode. High active.
7:0	RW	0x00	grf_con_ddr_mcu_irqlatency Irqlatency specifies the minimum number of cycles between an interrupt that becomes pended in the NVIC, and the vector fetch for that interrupt being issued on the AHB-Lite interface.

**CENTER GRF SOC STATUS1**

Address: Operational Base + offset (0x0044)

Bit	Attr	Reset Value	Description
31	RO	0x0	st_timer1_en System timer 1 enable status.
30	RO	0x0	st_timer0_en System timer 0 enable status.
29	RO	0x0	grf_st_ddr_mcu_deepsleep Active only when SLEEPING is HIGH. Indicates that the SLEEPDEEP bit in the NVIC is set to 1.
28	RO	0x0	grf_st_ddr_mcu_sleeping Indicates the processor is idle, waiting for an interrupt on either the IRQ, NMI, or internal SysTick, or HIGH level on RXEV.
27	RO	0x0	reserved
26	RO	0x0	grf_st_ddr_mcu_lockup Indicates that the processor is in the architected lock-up state, as the result of an unrecoverable exception.

Bit	Attr	Reset Value	Description
25	RO	0x0	grf_st_ddr_mcu_halted Indicates that the processor is in debug state. HALTED remains asserted for as long as the processor remains in debug state.
24	RO	0x0	grf_st_ddr_mcu_txev A single SCLK cycle HIGH level is generated on this output every time an SEV instruction is executed.
23:0	RO	0x000000	reserved

## 6.11 GPU\_GRF Register Description

### 6.11.1 Registers Summary

Name	Offset	Size	Reset Value	Description
GPU_GRF_PVTPLL_CON0_L	0x0000	W	0x00000000	PVTPLL Control Register 0
GPU_GRF_PVTPLL_CON0_H	0x0004	W	0x00000000	PVTPLL Control Register 0
GPU_GRF_PVTPLL_CON1	0x0008	W	0x00000018	PVTPLL Control Register 1
GPU_GRF_PVTPLL_CON2	0x000C	W	0x00040000	PVTPLL Control Register 2
GPU_GRF_PVTPLL_CON3	0x0010	W	0x00000000	PVTPLL Control Register 3
GPU_GRF_MEMCFG_CON0	0x0024	W	0x00001410	Memory Configuration Control Register 0
GPU_GRF_MEMCFG_CON1	0x0028	W	0x00000010	Memory Configuration Control Register 1
GPU_GRF_CON0	0x0040	W	0x00000000	GPU Control Register 0
GPU_GRF_STATUS0	0x0044	W	0x00000000	GPU Status Register 0

Notes: **Size:** **B**- Byte (8 bits) access, **HW**- Half WORD (16 bits) access, **W**-WORD (32 bits) access, **DW**- Double WORD (64 bits) access

### 6.11.2 Detail Registers Description

#### GPU GRF PVTPLL CON0 L

Address: Operational Base + offset (0x0000)

Bit	Attr	Reset Value	Description
31:16	WO	0x0000	write_enable Write enable for lower 16bits, each bit is individual 1'b0: Write access disable 1'b1: Write access enable
15	RW	0x0	bypass 1'b0: Support glitch-free frequency conversion. 1'b1: Not support.
14:13	RW	0x0	clk_div_osc Frequency division factor for osc_clk.
12:11	RW	0x0	clk_div_ref Frequency division factor for ref_clk.
10:8	RW	0x0	osc_ring_sel Oscillator ring channel select.
7:3	RO	0x00	reserved
2	RW	0x0	out_polar 1'b0: Out=1 when need to increase voltage. 1'b1: Out=0 when need to increase voltage.
1	RW	0x0	osc_en Oscillator ring enable.

Bit	Attr	Reset Value	Description
0	RW	0x0	start 1'b1: PVTPLL monitor start.

**GPU GRF PVTPLL CON0 H**

Address: Operational Base + offset (0x0004)

Bit	Attr	Reset Value	Description
31:16	WO	0x0000	write_enable Write enable for lower 16bits, each bit is individual 1'b0: Write access disable 1'b1: Write access enable
15:6	RO	0x000	reserved
5:0	RW	0x00	ring_length_sel Oscillator ring inverter length select.

**GPU GRF PVTPLL CON1**

Address: Operational Base + offset (0x0008)

Bit	Attr	Reset Value	Description
31:0	RW	0x00000018	cal_cnt Target frequency value.

**GPU GRF PVTPLL CON2**

Address: Operational Base + offset (0x000C)

Bit	Attr	Reset Value	Description
31:16	RW	0x0004	ckg_val Clock gating interval control count value.
15:0	RW	0x0000	threshold Count difference threshold value.

**GPU GRF PVTPLL CON3**

Address: Operational Base + offset (0x0010)

Bit	Attr	Reset Value	Description
31:0	RW	0x00000000	ref_cnt Frequency measurement period setting value.

**GPU GRF MEMCFG CON0**

Address: Operational Base + offset (0x0024)

Bit	Attr	Reset Value	Description
31:0	RW	0x00001410	memcfg_hdsprf memory configuration of hdsprf type bit 0: TEST1 bit 1: TEST_RNM bit 4~2: RM bit 5: WMD bit 7: LS bit 11~10: WPULSE bit 13~12: RA

**GPU GRF MEMCFG CON1**

Address: Operational Base + offset (0x0028)

Bit	Attr	Reset Value	Description
31:0	RW	0x00000010	memcfg_uhdpdprf memory configuration of uhdpdprf type. bit 0: TEST1 bit 1: TEST_RNM bit 4~2: RM bit 5: WMDA bit 7: LS

### GPU GRF CON0

Address: Operational Base + offset (0x0040)

Bit	Attr	Reset Value	Description
31:16	WO	0x0000	write_enable Write enable for lower 16bits, each bit is individual 1'b0: Write access disable 1'b1: Write access enable
15:7	RO	0x000	reserved
6	RW	0x0	protmode_en gpu protected mode enable.
5	RW	0x0	halted_en daplite2m halted enable.
4	RW	0x0	gpu_ckg_en Clock gate enable.
3:0	RW	0x0	striping_granule Memory striping control. This signal must be set during the GPU reset and remain static during operation.

### GPU GRF STATUS0

Address: Operational Base + offset (0x0044)

Bit	Attr	Reset Value	Description
31:2	RO	0x00000000	reserved
1	RO	0x0	swactive Serial wire active. high when the debug port is operating using the serial wire protocol.
0	RO	0x0	dormantstate Active-high status to indicate that none of the protocol engines are selected and that the DP is in dormant state.

## 6.12 NPU\_GRF Register Description

### 6.12.1 Registers Summary

Name	Offset	Size	Reset Value	Description
<u>NPU GRF MEM CON0</u>	0x0000	W	0x00008010	NPU memory configuration signal for uhdpdprf
<u>NPU GRF MEM CON1</u>	0x0004	W	0x00001410	NPU memory configuration signal for hdsprf
<u>NPU GRF MEM CON2</u>	0x0008	W	0x00002010	NPU memory configuration signal for hssprf
<u>NPU GRF PVTPLL CON0_L</u>	0x000C	W	0x00000000	Configure NPU PVTPLL Control 0
<u>NPU GRF PVTPLL CON H</u>	0x0010	W	0x00000000	Configure NPU PVTPLL Control 0
<u>NPU GRF PVTPLL CON1</u>	0x0014	W	0x00000018	Configure NPU PVTPLL Control 1

Name	Offset	Size	Reset Value	Description
<u>NPU GRF PVTPLL CON2</u>	0x0018	W	0x00000000	Configure NPU PVTPLL Control 2
<u>NPU GRF PVTPLL CON3</u>	0x001C	W	0x00000000	Configure NPU PVTPLL Control 3
<u>NPU GRF NPUTOP CON</u>	0x0024	W	0x00000000	NPU power domain configure register
<u>NPU GRF NPU STS</u>	0x0028	W	0x00000000	NPU power domain configure register
<u>NPU GRF STCALIB CON</u>	0x002C	W	0x00000000	NPU mcu stcalib control
<u>NPU GRF CACHE START</u>	0x0030	W	0x000F0000	NPU mcu cache peripheral start address
<u>NPU GRF CACHE END</u>	0x0034	W	0x000FEFFF	NPU mcu cache peripheral end address
<u>NPU GRF NPU WQOS CON</u>	0x0048	W	0x00000000	NPU core AXI WQOS Control

Notes: **Size:** **B**- Byte (8 bits) access, **HW**- Half WORD (16 bits) access, **W**-WORD (32 bits) access, **DW**- Double WORD (64 bits) access

### 6.12.2 Detail Registers Description

#### **NPU GRF MEM CON0**

Address: Operational Base + offset (0x0000)

Bit	Attr	Reset Value	Description
31:17	RO	0x0000	reserved
16:0	RW	0x08010	mem_cfg_uhddprf bit 0: TEST1 bit 1: TEST_RNM bit 4~2: RM bit 5: WMDA bit 7: LS bit 16: TESTRWM

#### **NPU GRF MEM CON1**

Address: Operational Base + offset (0x0004)

Bit	Attr	Reset Value	Description
31:16	RO	0x0000	reserved
15:0	RW	0x1410	mem_cfg_hdsprf bit 0: TEST1 bit 1: TEST_RNM bit 4~2: RM bit 5: WMD bit 7: LS bit 11~10: WPULSE bit 13~12: RA

#### **NPU GRF MEM CON2**

Address: Operational Base + offset (0x0008)

Bit	Attr	Reset Value	Description
31:15	RO	0x00000	reserved
14:0	RW	0x2010	npu_mem_hssprf bit 0: TEST1 bit 1: TEST_RNM bit 4~2: RM bit 5: WMD bit 7: LS

#### **NPU GRF PVTPLL CON0 L**

## RK3588 TRM-Part1

Address: Operational Base + offset (0x000C)

Bit	Attr	Reset Value	Description
31:16	WO	0x0000	write_enable Write enable for lower 16bits, each bit is individual. 1'b0: Write access disable 1'b1: Write access enable
15	RW	0x0	bypass 1'b0: Support glitch-free frequency conversion. 1'b1: Not support.
14:13	RW	0x0	clk_div_osc Frequency division factor for osc_clk.
12:11	RW	0x0	clk_div_ref Frequency division factor for ref_clk.
10:8	RW	0x0	osc_ring_sel Oscillator ring channel select.
7:3	RO	0x00	reserved
2	RW	0x0	out_polar 1'b0: Out=1 when need to increase voltage. 1'b1: Out=0 when need to increase voltage.
1	RW	0x0	osc_en Oscillator ring enable.
0	RW	0x0	start PVTPLL monitor start control.

### **NPU GRF PVTPLL CON H**

Address: Operational Base + offset (0x0010)

Bit	Attr	Reset Value	Description
31:16	WO	0x0000	write_enable Write enable for lower 16bits, each bit is individual. 1'b0: Write access disable 1'b1: Write access enable
15:5	RO	0x000	reserved
5:0	RW	0x00	ring_length_sel Oscillator ring inverter length select.

### **NPU GRF PVTPLL CON1**

Address: Operational Base + offset (0x0014)

Bit	Attr	Reset Value	Description
31	RO	0x0	reserved
30:0	RW	0x00000018	cal_cnt Target frequency value

### **NPU GRF PVTPLL CON2**

Address: Operational Base + offset (0x0018)

Bit	Attr	Reset Value	Description
31:16	RW	0x0000	ckg_val Clock gating interval control count value
15:0	RW	0x0000	threshold Count difference threshold value

### **NPU GRF PVTPLL CON3**

Address: Operational Base + offset (0x001C)

Bit	Attr	Reset Value	Description
31:0	RW	0x00000000	ref_cnt Frequency measurement period setting value

**NPU GRF NPUTOP\_CON**

Address: Operational Base + offset (0x0024)

Bit	Attr	Reset Value	Description
31:16	WO	0x0000	write_enable Write enable for lower 16bits, each bit is individual. 1'b0: Write access disable 1'b1: Write access enable
15:12	RO	0x0	reserved
11:10	RW	0x0	cache_slv_memattr Transaction memory attribute When support mpu mode, the cache controller will cache the request if both the hprot[3] and memattr[0] is high on AHB slave bus, or will bypass the request.
9	RW	0x0	npu_mcu_cache_flush_req Npu mcu cache memory flush request.
8:1	RW	0x00	npu_mcu_irqlatency The processor supports zero jitter interrupt latency for zero wait-state memory. IRQLATENCY specifies the minimum number of cycles between an interrupt that becomes pended in the NVIC, and the vector fetch for that interrupt being issued on the AHB-Lite interface.
0	RW	0x0	npu_wdt_pause npu wdt pause enable. Used to freeze the watchdog counter during pause mode. High active

**NPU GRF NPU\_STS**

Address: Operational Base + offset (0x0028)

Bit	Attr	Reset Value	Description
31:8	RO	0x000000	reserved
7	RO	0x0	npu_mcu_deepsleep Active only when SLEEPING is HIGH. Indicates that the SLEEPDEEP bit in the NVIC is set to 1.
6	RO	0x0	npu_mcu_sleeping Indicates the processor is idle, waiting for an interrupt on either the IRQ, NMI, or internal SysTick, or HIGH level on RXEV.
5	RO	0x0	npu_mcu_lockup Indicates that the processor is in the architect lock-up state, as the result of an unrecoverable exception.
4	RO	0x0	npu_mcu_halted Indicates that the processor is in debug state. HALTED remains asserted for as long as the processor remains in debug state.
3	RO	0x0	npu_mcu_cache_flush_ack NPU MCU cache memory flush acknowledge.
2	RO	0x0	mcu_txev A single SCLK cycle HIGH level is generated on this output every time an SEV instruction is executed on the MCU processor.
1	RO	0x0	npu_timer0_en NPU timer0 clock enable state. If this signal is high, timer clock is enable.
0	RO	0x0	npu_timer1_en NPU timer1 clock enable state. If this signal is high, timer clock is enable.

**NPU GRF STCALIB\_CON**

Address: Operational Base + offset (0x002C)

Bit	Attr	Reset Value	Description
31:26	RO	0x00	reserved
25:0	RW	0x0000000	npu_mcu_stcalib Systick timer counter. Stcalib[25]: Indicates that no alternative reference clock source has been integrated. Stcalib[24]: Tie this LOW if the system timer clock, the external reference clock, or SCLK as indicated by STCALIB[25], can guarantee an exact multiple of 10ms. Stcalib[23:0]: Indicates the processor is idle, waiting for an interrupt on either the IRQ, NMI, or internal SysTick, or HIGH level on RXEV.

**NPU GRF CACHE START**

Address: Operational Base + offset (0x0030)

Bit	Attr	Reset Value	Description
31:20	RO	0x000	reserved
19:0	RW	0xf0000	cache_periphral_addr_start NPU MCU cache peripheral start address.

**NPU GRF CACHE END**

Address: Operational Base + offset (0x0034)

Bit	Attr	Reset Value	Description
31:20	RO	0x000	reserved
19:0	RW	0xfefff	cache_periphral_addr_start NPU MCU cache peripheral end address.

**NPU GRF NPU WQOS CON**

Address: Operational Base + offset (0x0048)

Bit	Attr	Reset Value	Description
31:16	WO	0x0000	write_enable Write enable for lower 16bits, each bit is individual. 1'b0: Write access disable 1'b1: Write access enable
15:9	RO	0x00	reserved
8:6	RW	0x0	npu_core2_wqos WQoS for NPU core2.
5:3	RW	0x0	npu_core1_wqos WQoS for NPU core1.
2:0	RW	0x0	npu_core0_wqos WQoS for NPU core0.

## 6.13 VOP\_GRF Register Description

### 6.13.1 Registers Summary

Name	Offset	Size	Reset Value	Description
VOP_GRF_VOP_CON0	0x0000	W	0x00000000	Video output system control register 0
VOP_GRF_VOP_CON1	0x0004	W	0x00000000	Video output system control register 1
VOP_GRF_VOP_CON2	0x0008	W	0x00000000	Video output system control register 2



Name	Offset	Size	Reset Value	Description
<u>VOP GRF MEM CON0</u>	0x0010	W	0x00001410	Video output system memory interface control register 0
<u>VOP GRF MEM CON1</u>	0x0014	W	0x00008010	Video output system memory interface control register 1
<u>VOP GRF MEM CON2</u>	0x0018	W	0x00000010	Video output system memory interface control register 2
<u>VOP GRF MEM CON3</u>	0x001C	W	0x00008010	Video output system memory interface control register 3
<u>VOP GRF MEM CON4</u>	0x0020	W	0x00000000	Video output system memory interface control register 4
<u>VOP GRF MEM CON5</u>	0x0024	W	0x00000008	Video output system memory interface control register 5
<u>VOP GRF MEM CON6</u>	0x0028	W	0x00000010	Video output system memory interface control register 6
<u>VOP GRF MEM CON7</u>	0x002C	W	0x00000011	Video output system memory interface control register 7
<u>VOP GRF VOP STS</u>	0x0030	W	0x00000000	Video output system status register

Notes: **Size:** **B**- Byte (8 bits) access, **HW**- Half WORD (16 bits) access, **W**-WORD (32 bits) access, **DW**- Double WORD (64 bits) access

### 6.13.2 Detail Registers Description

#### **VOP GRF VOP CON0**

Address: Operational Base + offset (0x0000)

Bit	Attr	Reset Value	Description
31:16	WO	0x0000	write_enable Write enable for lower 16 bits, each bit is individual. 1'b0: Write access disable 1'b1: Write access enable
15:12	RO	0x0	reserved
11	RW	0x0	dsihost0_txreqclkhs_ena Enable phy_txskewcalhs condition for DSIHOST0 txrequestclkhs signal. 1'b0: Disable 1'b1: Enable
10	RW	0x0	dsihost0_gating_en Enable clock gating for DSIHOST0. 1'b0: Disable 1'b1: Enable
9	RW	0x0	dsihost0_ipi_shutdn Image pixel interface shutdown command for DSIHOST0. 1'b0: Shut down peripheral command request 1'b1: Turn on peripheral command request
8	RW	0x0	dsihost0_ipi_colorm Image pixel interface color mode command for DSIHOST0. 1'b0: Color mode off command request 1'b1: Color mode on command request

Bit	Attr	Reset Value	Description
7:4	RW	0x0	dsihost0_ipi_color_depth Image pixel interface color depth, only used when DSIHOST0 operates in auto mode. 4'h2: 5-6-5 bits 4'h3: 6 bits 4'h5: 8 bits 4'h6: 10 bits Others: Reserved
3:0	RW	0x0	dsihost0_ipi_format Image pixel interface video format, only used when DSIHOST0 operates in auto mode. 4'h0: RGB 4'hb: Compressed data Others: Reserved

**VOP GRF VOP CON1**

Address: Operational Base + offset (0x0004)

Bit	Attr	Reset Value	Description
31:16	WO	0x0000	write_enable Write enable for lower 16 bits, each bit is individual. 1'b0: Write access disable 1'b1: Write access enable
15:12	RO	0x0	reserved
11	RW	0x0	dsihost1_txreqclkhs_ena Enable phy_txskewcalhs condition for DSIHOST1 txrequestclkhs signal. 1'b0: Disable 1'b1: Enable
10	RW	0x0	dsihost1_gating_en Enable clock gating for DSIHOST1. 1'b0: Disable 1'b1: Enable
9	RW	0x0	dsihost1_ipi_shutdn Image pixel interface shutdown command for DSIHOST1. 1'b0: Shut down peripheral command request 1'b1: Turn on peripheral command request
8	RW	0x0	dsihost1_ipi_colorm Image pixel interface color mode command for DSIHOST1. 1'b0: Color mode off command request 1'b1: Color mode on command request
7:4	RW	0x0	dsihost1_ipi_color_depth Image pixel interface color depth, only used when DSIHOST1 operates in auto mode. 4'h2: 5-6-5 bits 4'h3: 6 bits 4'h5: 8 bits 4'h6: 10 bits Others: Reserved
3:0	RW	0x0	dsihost1_ipi_format Image pixel interface video format, only used when DSIHOST1 operates in auto mode. 4'h0: RGB 4'hb: Compressed data Others: Reserved

**VOP GRF VOP\_CON2**

Address: Operational Base + offset (0x0008)

Bit	Attr	Reset Value	Description
31:16	WO	0x0000	write_enable Write enable for lower 16 bits, each bit is individual. 1'b0: Write access disable 1'b1: Write access enable
15:6	RO	0x000	reserved
5	RW	0x0	hdmitx1_compress_mode Enable data compress for HDMITX interface 1 . 1'b0: Disable 1'b1: Enable
4	RW	0x0	hdmitx1_mode Enable HDMITX interface 1 . 1'b0: Disable 1'b1: Enable
3	RW	0x0	edp1_mode Enable EDP interface 1 . 1'b0: Disable 1'b1: Enable
2	RW	0x0	hdmitx0_compress_mode Enable data compress for HDMITX interface 0 . 1'b0: Disable 1'b1: Enable
1	RW	0x0	hdmitx0_mode Enable HDMITX interface 0 . 1'b0: Disable 1'b1: Enable
0	RW	0x0	edp0_mode Enable EDP interface 0 . 1'b0: Disable 1'b1: Enable

**VOP GRF MEM\_CON0**

Address: Operational Base + offset (0x0010)

Bit	Attr	Reset Value	Description
31:16	WO	0x0000	write_enable Write enable for lower 16 bits, each bit is individual. 1'b0: Write access disable 1'b1: Write access enable
15:0	RW	0x1410	mem_cfg_hdsprf Interface configuration for HDSPRF type memory in PD_VOP. Bit[0]: TEST1 Bit[1]: TEST_RNM Bit[4:2]: RM Bit[5]: WMD Bit[7]: LS Bit[11:10]: WPULSE Bit[13:12]: RA Other bits: Reserved

**VOP GRF MEM\_CON1**

Address: Operational Base + offset (0x0014)

Bit	Attr	Reset Value	Description
31:16	WO	0x0000	write_enable Write enable for lower 16 bits, each bit is individual. 1'b0: Write access disable 1'b1: Write access enable
15:0	RW	0x8010	mem_cfg_hsdpra_l16 Interface configuration for HSDPRA type memory in PD_VOP, lower 16 bits. Bit[0]: TEST1A Bit[1]: TEST_RNMA Bit[4:2]: RMA Bit[5]: WMDA Bit[7]: LS Bit[11:10]: WPULSE Bit[13:12]: RA Bit[15:14]: WA

**VOP GRF MEM CON2**

Address: Operational Base + offset (0x0018)

Bit	Attr	Reset Value	Description
31:16	WO	0x0000	write_enable Write enable for lower 16 bits, each bit is individual. 1'b0: Write access disable 1'b1: Write access enable
15:9	RO	0x00	reserved
8:0	RW	0x010	mem_cfg_hsdpra_h9 Interface configuration for HSDPRA type memory in PD_VOP, higher 9 bits. Bit[0]: TEST1B Bit[1]: TEST_RNMB Bit[4:2]: RMB Bit[5]: WMDB Other bits: Reserved

**VOP GRF MEM CON3**

Address: Operational Base + offset (0x001C)

Bit	Attr	Reset Value	Description
31:16	WO	0x0000	write_enable Write enable for lower 16 bits, each bit is individual. 1'b0: Write access disable 1'b1: Write access enable
15:0	RW	0x8010	mem_cfg_hddprf_l16 Interface configuration for HDDPRF type memory in PD_VOP, lower 16 bits. Bit[0]: TEST1 Bit[1]: TEST_RNM Bit[4:2]: RM Bit[5]: WMD Bit[7]: LS Bit[11:10]: WPULSE Bit[13:12]: RA Bit[15:14]: WA

**VOP GRF MEM CON4**

Address: Operational Base + offset (0x0020)

Bit	Attr	Reset Value	Description
31:16	WO	0x0000	write_enable Write enable for lower 16 bits, each bit is individual. 1'b0: Write access disable 1'b1: Write access enable
15:3	RO	0x0000	reserved
2:0	RW	0x0	mem_cfg_hddprf_h3 Interface configuration for HDDPRF type memory in PD_VOP, higher 3 bits. Bit[0]: TESTRWM Other bits: Reserved

**VOP GRF MEM CON5**

Address: Operational Base + offset (0x0024)

Bit	Attr	Reset Value	Description
31:16	WO	0x0000	write_enable Write enable for lower 16 bits, each bit is individual. 1'b0: Write access disable 1'b1: Write access enable
15:7	RO	0x000	reserved
6:0	RW	0x08	mem_cfg_rom Interface configuration for ROM in PD_VOP. Bit[0]: TEST1 Bit[4:1]: RM Other bits: Reserved

**VOP GRF MEM CON6**

Address: Operational Base + offset (0x0028)

Bit	Attr	Reset Value	Description
31:16	WO	0x0000	write_enable Write enable for lower 16 bits, each bit is individual. 1'b0: Write access disable 1'b1: Write access enable
15:0	RW	0x0010	mem_cfg_hsdprf_l16 Interface configuration for HSDPRF type memory in PD_VOP, lower 16 bits. Bit[0]: TEST1A Bit[1]: TEST_RNMA Bit[5:2]: RMA Bit[6]: WMDA Bit[8]: LS Bit[12:11]: WPULSE Bit[14:13]: RA Bit[15]: WA[0]

**VOP GRF MEM CON7**

Address: Operational Base + offset (0x002C)

Bit	Attr	Reset Value	Description
31:16	WO	0x0000	write_enable Write enable for lower 16 bits, each bit is individual. 1'b0: Write access disable 1'b1: Write access enable
15:8	RO	0x00	reserved

Bit	Attr	Reset Value	Description
7:0	RW	0x11	mem_cfg_hsdprf_h8 Interface configuration for HSDPRF type memory in PD_VOP, higher 8 bits. Bit[0]: WA[1] Bit[1]: TEST1B Bit[5:2]: RMB Other bits: Reserved

**VOP GRF VOP STS**

Address: Operational Base + offset (0x0030)

Bit	Attr	Reset Value	Description
31:24	RO	0x00	reserved
23	RO	0x0	dsiphy1_l3_phyenable Enable DSIPHY1 lane 3. 1'b0: Disable 1'b1: Enable
22	RO	0x0	dsiphy1_l2_phyenable Enable DSIPHY1 lane 2. 1'b0: Disable 1'b1: Enable
21	RO	0x0	dsiphy1_l1_phyenable Enable DSIPHY1 lane 1. 1'b0: Disable 1'b1: Enable
20	RO	0x0	dsiphy1_l0_phyenable Enable DSIPHY1 lane 0. 1'b0: Disable 1'b1: Enable
19	RO	0x0	dsiphy1_l3_txdatatransferenhs High-speed data transfer enable for DSIPHY1 lane 3. 1'b0: Disable 1'b1: Enable
18	RO	0x0	dsiphy1_l2_txdatatransferenhs High-speed data transfer enable for DSIPHY1 lane 2. 1'b0: Disable 1'b1: Enable
17	RO	0x0	dsiphy1_l1_txdatatransferenhs High-speed data transfer enable for DSIPHY1 lane 1. 1'b0: Disable 1'b1: Enable
16	RO	0x0	dsiphy1_l0_txdatatransferenhs High-speed data transfer enable for DSIPHY1 lane 0. 1'b0: Disable 1'b1: Enable
15	RO	0x0	dsiphy1_l3_txdatawidthhs High-speed transmit data bus width select for DSIPHY1 lane 3. 1'b0: 8-bit 1'b1: 16-bit
14	RO	0x0	dsiphy1_l2_txdatawidthhs High-speed transmit data bus width select for DSIPHY1 lane 2. 1'b0: 8-bit 1'b1: 16-bit

Bit	Attr	Reset Value	Description
13	RO	0x0	dsiphy1_l1_txdatawidthhs High-speed transmit data bus width select for DSIPHY1 lane 1. 1'b0: 8-bit 1'b1: 16-bit
12	RO	0x0	dsiphy1_l0_txdatawidthhs High-speed transmit data bus width select for DSIPHY1 lane 0. 1'b0: 8-bit 1'b1: 16-bit
11	RO	0x0	dsiphy0_l3_phyenable Enable DSIPHY0 lane 3. 1'b0: Disable 1'b1: Enable
10	RO	0x0	dsiphy0_l2_phyenable Enable DSIPHY0 lane 2. 1'b0: Disable 1'b1: Enable
9	RO	0x0	dsiphy0_l1_phyenable Enable DSIPHY0 lane 1. 1'b0: Disable 1'b1: Enable
8	RO	0x0	dsiphy0_l0_phyenable Enable DSIPHY0 lane 0. 1'b0: Disable 1'b1: Enable
7	RO	0x0	dsiphy0_l3_txdatatransferenhs High-speed data transfer enable for DSIPHY0 lane 3. 1'b0: Disable 1'b1: Enable
6	RO	0x0	dsiphy0_l2_txdatatransferenhs High-speed data transfer enable for DSIPHY0 lane 2. 1'b0: Disable 1'b1: Enable
5	RO	0x0	dsiphy0_l1_txdatatransferenhs High-speed data transfer enable for DSIPHY0 lane 1. 1'b0: Disable 1'b1: Enable
4	RO	0x0	dsiphy0_l0_txdatatransferenhs High-speed data transfer enable for DSIPHY0 lane 0. 1'b0: Disable 1'b1: Enable
3	RO	0x0	dsiphy0_l3_txdatawidthhs High-speed transmit data bus width select for DSIPHY0 lane 3. 1'b0: 8-bit 1'b1: 16-bit
2	RO	0x0	dsiphy0_l2_txdatawidthhs High-speed transmit data bus width select for DSIPHY0 lane 2. 1'b0: 8-bit 1'b1: 16-bit
1	RO	0x0	dsiphy0_l1_txdatawidthhs High-speed transmit data bus width select for DSIPHY0 lane 1. 1'b0: 8-bit 1'b1: 16-bit

Bit	Attr	Reset Value	Description
0	RO	0x0	dsiphy0_l0_txdatawidthhs High-speed transmit data bus width select for DSIPHY0 lane 0. 1'b0: 8-bit 1'b1: 16-bit

## 6.14 VOO\_GRF Register Description

### 6.14.1 Registers Summary

Name	Offset	Size	Reset Value	Description
<u>VOO_GRF_VOO_CON0</u>	0x0000	W	0x000000E4	Video output system control register 0
<u>VOO_GRF_VOO_CON1</u>	0x0004	W	0x00000000	Video output system control register 1
<u>VOO_GRF_VOO_CON2</u>	0x0008	W	0x000000E4	Video output system control register 2
<u>VOO_GRF_VOO_CON3</u>	0x000C	W	0x00000000	Video output system control register 3
<u>VOO_GRF_VOO_CON4</u>	0x0010	W	0x00000000	Video output system control register 4
<u>VOO_GRF_VOO_CON5</u>	0x0014	W	0x00000000	Video output system control register 5
<u>VOO_GRF_VOO_CON6</u>	0x0018	W	0x00000000	Video output system control register 6
<u>VOO_GRF_VOO_STS0</u>	0x0020	W	0x00000000	Video output system status register 0
<u>VOO_GRF_VOO_STS1</u>	0x0024	W	0x00000000	Video output system status register 1
<u>VOO_GRF_VOO_STS2</u>	0x0028	W	0x00000000	Video output system status register 2
<u>VOO_GRF_VOO_STS3</u>	0x002C	W	0x00000000	Video output system status register 3
<u>VOO_GRF_VOO_STS4</u>	0x0030	W	0x00000000	Video output system status register 4
<u>VOO_GRF_VOO_STS5</u>	0x0034	W	0x00000000	Video output system status register 5
<u>VOO_GRF_VOO_STS6</u>	0x0038	W	0x00000000	Video output system status register 6
<u>VOO_GRF_VOO_STS7</u>	0x003C	W	0x00000000	Video output system status register 7
<u>VOO_GRF_MEM_CON0</u>	0x0040	W	0x00001410	Video output system memory interface control register 0
<u>VOO_GRF_MEM_CON1</u>	0x0044	W	0x80101410	Video output system memory interface control register 1
<u>VOO_GRF_MEM_CON2</u>	0x0048	W	0x00000010	Video output system memory interface control register 2
<u>VOO_GRF_MEM_CON3</u>	0x004C	W	0x00000011	Video output system memory interface control register 3
<u>VOO_GRF_MEM_CON4</u>	0x0050	W	0x00008010	Video output system memory interface control register 4
<u>VOO_GRF_MEM_CON5</u>	0x0054	W	0x00000000	Video output system memory interface control register 5



Notes: **Size: B**- Byte (8 bits) access, **HW**- Half WORD (16 bits) access, **W**-WORD (32 bits) access, **DW**- Double WORD (64 bits) access

**6.14.2 Detail Registers Description**

**VOO GRF VOO CON0**

Address: Operational Base + offset (0x0000)

Bit	Attr	Reset Value	Description
31:16	WO	0x0000	write_enable Write enable for lower 16 bits, each bit is individual. 1'b0: Write access disable 1'b1: Write access enable
15:13	RO	0x0	reserved
12	RW	0x0	dp0_tca_disable Disable DP0 input from the type-C assit block. 1'b0: Enable 1'b1: Disable
11	RW	0x0	dp0_sink_hpd_cfg Software configuration for DP0 hot plug detect input
10	RW	0x0	dp0_sink_hpd_sel Source selection for DP0 hot plug detect input. 1'b0: DP0 hot plug detect input controlled by hardware 1'b1: DP0 hot plug detect input controlled by software
9	RW	0x0	dp0_aux_din_sel Polarity of DP0 aux data input. 1'b0: Normal 1'b1: Inverted
8	RW	0x0	dp0_aux_dout_sel Polarity of DP0 aux data output. 1'b0: Normal 1'b1: Inverted
7:6	RW	0x3	dp0_lane3_sel Data source selection for DPPHY0 lane 3. 2'h0: Select DP0 host lane 0 transmit parallel data output as DPPHY0 lane 3 data source 2'h1: Select DP0 host lane 1 transmit parallel data output as DPPHY0 lane 3 data source 2'h2: Select DP0 host lane 2 transmit parallel data output as DPPHY0 lane 3 data source 2'h3: Select DP0 host lane 3 transmit parallel data output as DPPHY0 lane 3 data source
5:4	RW	0x2	dp0_lane2_sel Data source selection for DPPHY0 lane 2. 2'h0: Select DP0 host lane 0 transmit parallel data output as DPPHY0 lane 2 data source 2'h1: Select DP0 host lane 1 transmit parallel data output as DPPHY0 lane 2 data source 2'h2: Select DP0 host lane 2 transmit parallel data output as DPPHY0 lane 2 data source 2'h3: Select DP0 host lane 3 transmit parallel data output as DPPHY0 lane 2 data source

Bit	Attr	Reset Value	Description
3:2	RW	0x1	dp0_lane1_sel Data source selection for DPPHY0 lane 1. 2'h0: Select DP0 host lane 0 transmit parallel data output as DPPHY0 lane 1 data source 2'h1: Select DP0 host lane 1 transmit parallel data output as DPPHY0 lane 1 data source 2'h2: Select DP0 host lane 2 transmit parallel data output as DPPHY0 lane 1 data source 2'h3: Select DP0 host lane 3 transmit parallel data output as DPPHY0 lane 1 data source
1:0	RW	0x0	dp0_lane0_sel Data source selection for DPPHY0 lane 0. 2'h0: Select DP0 host lane 0 transmit parallel data output as DPPHY0 lane 0 data source 2'h1: Select DP0 host lane 1 transmit parallel data output as DPPHY0 lane 0 data source 2'h2: Select DP0 host lane 2 transmit parallel data output as DPPHY0 lane 0 data source 2'h3: Select DP0 host lane 3 transmit parallel data output as DPPHY0 lane 0 data source

**VOO GRF VOO CON1**

Address: Operational Base + offset (0x0004)

Bit	Attr	Reset Value	Description
31:16	WO	0x0000	write_enable Write enable for lower 16 bits, each bit is individual. 1'b0: Write access disable 1'b1: Write access enable
15:12	RO	0x0	reserved
11	RW	0x0	dp0_lane3_phystatus_cfg Software configuration for DPPHY0 lane 3 PHY status
10	RW	0x0	dp0_lane2_phystatus_cfg Software configuration for DPPHY0 lane 2 PHY status
9	RW	0x0	dp0_lane1_phystatus_cfg Software configuration for DPPHY0 lane 1 PHY status
8	RW	0x0	dp0_lane0_phystatus_cfg Software configuration for DPPHY0 lane 0 PHY status
7	RW	0x0	dp0_lane3_phystatus_sel DPPHY0 lane 3 PHY status selection. 1'b0: DPPHY0 lane 3 PHY status controlled by hardware 1'b1: DPPHY0 lane 3 PHY status controlled by software
6	RW	0x0	dp0_lane2_phystatus_sel DPPHY0 lane 2 PHY status selection. 1'b0: DPPHY0 lane 2 PHY status controlled by hardware 1'b1: DPPHY0 lane 2 PHY status controlled by software
5	RW	0x0	dp0_lane1_phystatus_sel DPPHY0 lane 1 PHY status selection. 1'b0: DPPHY0 lane 1 PHY status controlled by hardware 1'b1: DPPHY0 lane 1 PHY status controlled by software
4	RW	0x0	dp0_lane0_phystatus_sel DPPHY0 lane 0 PHY status selection. 1'b0: DPPHY0 lane 0 PHY status controlled by hardware 1'b1: DPPHY0 lane 0 PHY status controlled by software
3:0	RO	0x0	reserved

**VOO GRF VOO CON2**

Address: Operational Base + offset (0x0008)

Bit	Attr	Reset Value	Description
31:16	WO	0x0000	write_enable Write enable for lower 16 bits, each bit is individual. 1'b0: Write access disable 1'b1: Write access enable
15:13	RO	0x0	reserved
12	RW	0x0	dp1_tca_disable Disable DP1 input from the type-C assit block. 1'b0: Enable 1'b1: Disable
11	RW	0x0	dp1_sink_hpd_cfg Software configuration for DP0 hot plug detect input
10	RW	0x0	dp1_sink_hpd_sel Source selection for DP0 hot plug detect input. 1'b0: DP0 hot plug detect input controlled by hardware 1'b1: DP0 hot plug detect input controlled by software
9	RW	0x0	dp1_aux_din_sel Polarity of DP0 aux data input. 1'b0: Normal 1'b1: Inverted
8	RW	0x0	dp1_aux_dout_sel Polarity of DP0 aux data output. 1'b0: Normal 1'b1: Inverted
7:6	RW	0x3	dp1_lane3_sel Data source selection for DPPHY1 lane 3. 2'h0: Select DP0 host lane 0 transmit parallel data output as DPPHY1 lane 3 data source 2'h1: Select DP0 host lane 1 transmit parallel data output as DPPHY1 lane 3 data source 2'h2: Select DP0 host lane 2 transmit parallel data output as DPPHY1 lane 3 data source 2'h3: Select DP0 host lane 3 transmit parallel data output as DPPHY1 lane 3 data source
5:4	RW	0x2	dp1_lane2_sel Data source selection for DPPHY1 lane 2. 2'h0: Select DP0 host lane 0 transmit parallel data output as DPPHY1 lane 2 data source 2'h1: Select DP0 host lane 1 transmit parallel data output as DPPHY1 lane 2 data source 2'h2: Select DP0 host lane 2 transmit parallel data output as DPPHY1 lane 2 data source 2'h3: Select DP0 host lane 3 transmit parallel data output as DPPHY1 lane 2 data source
3:2	RW	0x1	dp1_lane1_sel Data source selection for DPPHY1 lane 1. 2'h0: Select DP0 host lane 0 transmit parallel data output as DPPHY1 lane 1 data source 2'h1: Select DP0 host lane 1 transmit parallel data output as DPPHY1 lane 1 data source 2'h2: Select DP0 host lane 2 transmit parallel data output as DPPHY1 lane 1 data source 2'h3: Select DP0 host lane 3 transmit parallel data output as DPPHY1 lane 1 data source

Bit	Attr	Reset Value	Description
1:0	RW	0x0	dp1_lane0_sel Data source selection for DPPHY1 lane 0. 2'h0: Select DP0 host lane 0 transmit parallel data output as DPPHY1 lane 0 data source 2'h1: Select DP0 host lane 1 transmit parallel data output as DPPHY1 lane 0 data source 2'h2: Select DP0 host lane 2 transmit parallel data output as DPPHY1 lane 0 data source 2'h3: Select DP0 host lane 3 transmit parallel data output as DPPHY1 lane 0 data source

**VO0 GRF VO0 CON3**

Address: Operational Base + offset (0x000C)

Bit	Attr	Reset Value	Description
31:16	WO	0x0000	write_enable Write enable for lower 16 bits, each bit is individual. 1'b0: Write access disable 1'b1: Write access enable
15:12	RO	0x0	reserved
11	RW	0x0	dp1_lane3_phystatus_cfg Software configuration for DPPHY1 lane 3 PHY status
10	RW	0x0	dp1_lane2_phystatus_cfg Software configuration for DPPHY1 lane 2 PHY status
9	RW	0x0	dp1_lane1_phystatus_cfg Software configuration for DPPHY1 lane 1 PHY status
8	RW	0x0	dp1_lane0_phystatus_cfg Software configuration for DPPHY1 lane 0 PHY status
7	RW	0x0	dp1_lane3_phystatus_sel DPPHY1 lane 3 PHY status selection. 1'b0: DPPHY1 lane 3 PHY status controlled by hardware 1'b1: DPPHY1 lane 3 PHY status controlled by software
6	RW	0x0	dp1_lane2_phystatus_sel DPPHY1 lane 2 PHY status selection. 1'b0: DPPHY1 lane 2 PHY status controlled by hardware 1'b1: DPPHY1 lane 2 PHY status controlled by software
5	RW	0x0	dp1_lane1_phystatus_sel DPPHY1 lane 1 PHY status selection. 1'b0: DPPHY1 lane 1 PHY status controlled by hardware 1'b1: DPPHY1 lane 1 PHY status controlled by software
4	RW	0x0	dp1_lane0_phystatus_sel DPPHY1 lane 0 PHY status selection. 1'b0: DPPHY1 lane 0 PHY status controlled by hardware 1'b1: DPPHY1 lane 0 PHY status controlled by software
3:0	RO	0x0	reserved

**VO0 GRF VO0 CON4**

Address: Operational Base + offset (0x0010)

Bit	Attr	Reset Value	Description
31:16	WO	0x0000	write_enable Write enable for lower 16 bits, each bit is individual. 1'b0: Write access disable 1'b1: Write access enable
15:9	RO	0x00	reserved

Bit	Attr	Reset Value	Description
8	RW	0x0	hdc0_clk_gating_en Enable auto clock gating for HDCP0 memory. 1'b0: Disable 1'b1: Enable
7:4	RW	0x0	hdc0_global_gpio_in HDCP0 global GPIO input
3	RW	0x0	hdc0_aes1_debug_trigger HDCP0 DP AES port 1 debug trigger configuration. When asserted, the hdc0_aes1_debug_data is captured internally by HDCP0.
2	RW	0x0	hdc0_aes0_debug_trigger HDCP0 DP AES port 0 debug trigger configuration. When asserted, the hdc0_aes0_debug_data is captured internally by HDCP0.
1	RW	0x0	trng0_ctrl_reseed Enable TRNG0 reseed operation. 1'b0: Disable 1'b1: Enable When it is asserted, the TRNG0 responds by stopping any reseed operation that is currently underway and initiating a new reseed operation.
0	RW	0x0	trng0_ctrl_zeroize Enable TRNG0 zeroize operation. 1'b0: Disable 1'b1: Enable

**VOO GRF VOO CONS**

Address: Operational Base + offset (0x0014)

Bit	Attr	Reset Value	Description
31:16	WO	0x0000	write_enable Write enable for lower 16 bits, each bit is individual. 1'b0: Write access disable 1'b1: Write access enable
15:0	RW	0x0000	hdc0_aes0_debug_data HDCP0 DP AES port 0 debug data configuration

**VOO GRF VOO CON6**

Address: Operational Base + offset (0x0018)

Bit	Attr	Reset Value	Description
31:16	WO	0x0000	write_enable Write enable for lower 16 bits, each bit is individual. 1'b0: Write access disable 1'b1: Write access enable
15:0	RW	0x0000	hdc0_aes1_debug_data HDCP0 DP AES port 1 debug data configuration

**VOO GRF VOO STS0**

Address: Operational Base + offset (0x0020)

Bit	Attr	Reset Value	Description
31:28	RO	0x0	reserved
27:24	RO	0x0	dp1_p0_gpio_out DP1 port 0 GPIO output
23:20	RO	0x0	dp1_global_gpio_out DP1 global GPIO output
19	RO	0x0	reserved

Bit	Attr	Reset Value	Description
18	RO	0x0	dp1_tca_disable_ack Acknowledge from DP1 to the Type-C assit block. 1'b0: Not acknowledge 1'b1: Acknowledge
17	RO	0x0	reserved
16	RO	0x0	dp1_aux_timeout DP1 aux transfer timeout indication. 1'b0: Inactive 1'b1: Active
15:12	RO	0x0	reserved
11:8	RO	0x0	dp0_p0_gpio_out DP0 port0 GPIO output
7:4	RO	0x0	dp0_global_gpio_out DP0 global GPIO output
3	RO	0x0	reserved
2	RO	0x0	dp0_tca_disable_ack Acknowledge from DP0 to the Type-C assit block. 1'b0: Not acknowledge 1'b1: Acknowledge
1	RO	0x0	reserved
0	RO	0x0	dp0_aux_timeout DP0 aux transfer timeout indication. 1'b0: Inactive 1'b1: Active

**VO0 GRF VO0 STS1**

Address: Operational Base + offset (0x0024)

Bit	Attr	Reset Value	Description
31:0	RO	0x00000000	dp0_debug_l32 DP0 debug output lower 32 bits

**VO0 GRF VO0 STS2**

Address: Operational Base + offset (0x0028)

Bit	Attr	Reset Value	Description
31:0	RO	0x00000000	dp0_debug_h32 DP0 debug output higher 32 bits

**VO0 GRF VO0 STS3**

Address: Operational Base + offset (0x002C)

Bit	Attr	Reset Value	Description
31:12	RO	0x000000	reserved
11:8	RO	0x0	hdcp0_global_gpio_out HDCP0 global GPIO output
7:6	RO	0x0	reserved
5	RO	0x0	trng0_ctrl_rand_vld TRNG0 serial random bit valid output. 1'b0: Inactive 1'b1: Active
4	RO	0x0	trng0_ctrl_rand_bit TRNG0 serial random bit output 1'b0: Inactive 1'b1: Active

Bit	Attr	Reset Value	Description
3	RO	0x0	trng0_ctrl_seeded TRNG0 reseeding/seeding completion output. 1'b0: Inactive 1'b1: Active
2	RO	0x0	trng0_ctrl_reseeding TRNG0 reseeding activity output. 1'b0: Inactive 1'b1: Active
1	RO	0x0	trng0_ctrl_reminder TRNG0 reseed reminder output. 1'b0: Inactive 1'b1: Active
0	RO	0x0	trng0_ctrl_secure TRNG0 secure mode output. 1'b0: Inactive 1'b1: Active

**VO0 GRF VO0 STS4**

Address: Operational Base + offset (0x0030)

Bit	Attr	Reset Value	Description
31:0	RO	0x00000000	dp1_debug_l32 DP1 debug output lower 32 bits

**VO0 GRF VO0 STS5**

Address: Operational Base + offset (0x0034)

Bit	Attr	Reset Value	Description
31:0	RO	0x00000000	dp1_debug_h32 DP1 debug output higher 32 bits

**VO0 GRF VO0 STS6**

Address: Operational Base + offset (0x0038)

Bit	Attr	Reset Value	Description
31:0	RO	0x00000000	hdcp0_diag_out HDCP0 diagnostic output

**VO0 GRF VO0 STS7**

Address: Operational Base + offset (0x003C)

Bit	Attr	Reset Value	Description
31:16	RO	0x0000	hdcp0_p1_gpio_out HDCP0 port 1 GPIO output
15:0	RO	0x0000	hdcp0_p0_gpio_out HDCP0 port 0 GPIO output

**VO0 GRF MEM CON0**

Address: Operational Base + offset (0x0040)

Bit	Attr	Reset Value	Description
31:16	WO	0x0000	write_enable Write enable for lower 16 bits, each bit is individual. 1'b0: Write access disable 1'b1: Write access enable
15:0	RW	0x1410	mem_cfg_hdspra Interface configuration for HDSPPRA type memory in PD_VO0.

**VO0 GRF MEM CON1**

## RK3588 TRM-Part1

Address: Operational Base + offset (0x0044)

Bit	Attr	Reset Value	Description
31:16	WO	0x8010	write_enable Write enable for lower 16 bits, each bit is individual. 1'b0: Write access disable 1'b1: Write access enable
15:0	RW	0x1410	mem_cfg_hdsprf Interface configuration for HSDPRF type memory in PD_VO0.

### **VO0 GRF MEM CON2**

Address: Operational Base + offset (0x0048)

Bit	Attr	Reset Value	Description
31:16	WO	0x0000	write_enable Write enable for lower 16 bits, each bit is individual. 1'b0: Write access disable 1'b1: Write access enable
15:9	RO	0x00	reserved
8:0	RW	0x010	mem_cfg_hsdprf_l16 Interface configuration for HSDPRF type memory in PD_VO0, lower 16 bits.

### **VO0 GRF MEM CON3**

Address: Operational Base + offset (0x004C)

Bit	Attr	Reset Value	Description
31:16	WO	0x0000	write_enable Write enable for lower 16 bits, each bit is individual. 1'b0: Write access disable 1'b1: Write access enable
15:8	RO	0x00	reserved
7:0	RW	0x11	mem_cfg_hsdprf_h8 Interface configuration for HSDPRF type memory in PD_VO0, higher 16 bits.

### **VO0 GRF MEM CON4**

Address: Operational Base + offset (0x0050)

Bit	Attr	Reset Value	Description
31:16	WO	0x0000	write_enable Write enable for lower 16 bits, each bit is individual. 1'b0: Write access disable 1'b1: Write access enable
15:0	RW	0x8010	mem_cfg_uhdprf_l16 Interface configuration for UHDPDRF type memory in PD_VO0, lower 16 bits.

### **VO0 GRF MEM CON5**

Address: Operational Base + offset (0x0054)

Bit	Attr	Reset Value	Description
31:16	WO	0x0000	write_enable Write enable for lower 16 bits, each bit is individual. 1'b0: Write access disable 1'b1: Write access enable
15:3	RO	0x0000	reserved
2:0	RW	0x0	mem_cfg_uhdprf_h3 Interface configuration for UHDPDRF type memory in PD_VO0, higher 3 bits.



## 6.15 VO1\_GRF Register Description

### 6.15.1 Registers Summary

Name	Offset	Size	Reset Value	Description
<u>VO1_GRF_VO1_CON0</u>	0x0000	W	0x00000000	Video output system control register 0
<u>VO1_GRF_VO1_CON1</u>	0x0004	W	0x00000000	Video output system control register 1
<u>VO1_GRF_VO1_CON2</u>	0x0008	W	0x00000000	Video output system control register 2
<u>VO1_GRF_VO1_CON3</u>	0x000C	W	0x00000000	Video output system control register 3
<u>VO1_GRF_VO1_CON4</u>	0x0010	W	0x00000000	Video output system control register 4
<u>VO1_GRF_VO1_CON6</u>	0x0018	W	0x00000000	Video output system control register 6
<u>VO1_GRF_VO1_CON7</u>	0x001C	W	0x00000000	Video output system control register 7
<u>VO1_GRF_VO1_CON9</u>	0x0024	W	0x00000000	Video output system control register 9
<u>VO1_GRF_VO1_STS0</u>	0x0030	W	0x00000000	Video output system status register 0
<u>VO1_GRF_VO1_STS1</u>	0x0034	W	0x00000000	Video output system status register 1
<u>VO1_GRF_VO1_STS2</u>	0x0038	W	0x00000000	Video output system status register 2
<u>VO1_GRF_VO1_STS3</u>	0x003C	W	0x00000000	Video output system status register 3
<u>VO1_GRF_VO1_STS4</u>	0x0040	W	0x00000000	Video output system status register 4
<u>VO1_GRF_VO1_STS5</u>	0x0044	W	0x00000000	Video output system status register 5
<u>VO1_GRF_VO1_STS6</u>	0x0048	W	0x00000000	Video output system status register 6
<u>VO1_GRF_MEM_CON0</u>	0x0050	W	0x00001410	Video output system memory interface control register 0
<u>VO1_GRF_MEM_CON1</u>	0x0054	W	0x80100010	Video output system memory interface control register 1
<u>VO1_GRF_MEM_CON2</u>	0x0058	W	0x00000011	Video output system memory interface control register 2

Notes: **Size:** **B**- Byte (8 bits) access, **HW**- Half WORD (16 bits) access, **W**-WORD (32 bits) access, **DW**- Double WORD (64 bits) access

### 6.15.2 Detail Registers Description

#### VO1\_GRF\_VO1\_CON0

Address: Operational Base + offset (0x0000)

Bit	Attr	Reset Value	Description
31:16	WO	0x0000	write_enable Write enable for lower 16 bits, each bit is individual. 1'b0: Write access disable 1'b1: Write access enable
15:9	RO	0x00	reserved

Bit	Attr	Reset Value	Description
8	RW	0x0	hdmitx1_hsync_pol Polarity selection for hdmitx1_hsync. 1'b0: Normal 1'b1: Inverted
7	RW	0x0	hdmitx1_vsync_pol Polarity selection for hdmitx1_vsync. 1'b0: Normal 1'b1: Inverted
6	RW	0x0	hdmitx0_hsync_pol Polarity selection for hdmitx0_hsync. 1'b0: Normal 1'b1: Inverted
5	RW	0x0	hdmitx0_vsync_pol Polarity selection for hdmitx0_vsync. 1'b0: Normal 1'b1: Inverted
4	RW	0x0	edp0_spdif_sel Enable connect SPDIF3 interface to EDP0 SPDIF port. 1'b0: Disable 1'b1: Enable
3	RW	0x0	edp0_i2s_sel Enable connect I2S5_8CH interface to EDP0 I2S port. 1'b0: Disable 1'b1: Enable
2	RW	0x0	edp0_video_bist_en Enable EDP0 video bist function. 1'b0: Disable 1'b1: Enable
1	RW	0x1	edp0_hdcp_protect Enable EDP0 hdcp protect function. 1'b0: Disable 1'b1: Enable
0	RW	0x0	edp0_mode Enable EDP0 interface. 1'b0: Disable 1'b1: Enable

**VO1 GRF VO1 CON1**

Address: Operational Base + offset (0x0004)

Bit	Attr	Reset Value	Description
31:16	WO	0x0000	write_enable Write enable for lower 16 bits, each bit is individual. 1'b0: Write access disable 1'b1: Write access enable
15:11	RO	0x00	reserved
10	RW	0x0	hdcp1_p2_gpio_in_sel Source selection for HDCP1 port 2 GPIO input. 1'b0: Select {2'h0,hdmitx1_hdcp_i2c_grant,1'b1} as HDCP1 port 2 GPIO input 1'b1: Select hdmitx1_hdcp_p0_gpio_in as HDCP1 port 2 GPIO input

Bit	Attr	Reset Value	Description
9	RW	0x0	hdcp1_p1_gpio_in_sel Source selection for HDCP1 port 1 GPIO input. 1'b0: Select {2'h0,hdmitx0_hdcp_i2c_grant,1'b1} as HDCP1 port 1 GPIO input 1'b1: Select hdmitx0_hdcp_p0_gpio_in as HDCP1 port 1 GPIO input
8	RW	0x0	hdcp1_p0_gpio_in_sel Source selection for HDCP1 port 0 GPIO input. 1'b0: Select {3'h0,hdmirx_connect} as HDCP1 port 0 GPIO input 1'b1: Select {1'b0,hdmirx_hdcp_p0_gpio_in} as HDCP1 port 0 GPIO input
7:5	RO	0x0	reserved
4	RW	0x0	edp1_spdif_sel Enable connect SPDIF4 interface to EDP1 SPDIF port. 1'b0: Disable 1'b1: Enable
3	RW	0x0	edp1_i2s_sel Enable connect I2S6_8CH interface to EDP1 I2S port. 1'b0: Disable 1'b1: Enable
2	RW	0x0	edp1_video_bist_en Enable EDP1 video bist function. 1'b0: Disable 1'b1: Enable
1	RW	0x1	edp1_hdcp_protect Enable EDP1 hdcp protect function. 1'b0: Disable 1'b1: Enable
0	RW	0x0	edp1_mode Enable EDP1 interface. 1'b0: Disable 1'b1: Enable

**VO1 GRF VO1 CON2**

Address: Operational Base + offset (0x0008)

Bit	Attr	Reset Value	Description
31:16	WO	0x0000	write_enable Write enable for lower 16 bits, each bit is individual. 1'b0: Write access disable 1'b1: Write access enable
15	RW	0x0	hdmirx_global_gpio_out_sel Selection for hdmirx_global_gpio_out. 1'b0: Select hdcp1_global_gpio_out as hdmirx_global_gpio_out 1'b1: Select hdmirx_global_gpio_out_sw as hdmirx_global_gpio_out
14:11	RW	0x0	hdcp1_global_gpio_in HDCP1 global GPIO input by software
10	RW	0x0	hdcp1_gating_en Enable HDCP1 memory auto clock gating. 1'b0: Disable 1'b1: Enable

Bit	Attr	Reset Value	Description
9	RW	0x0	trng1_ctrl_reseed Enable TRNG1 reseed operation. 1'b0: Disable 1'b1: Enable When it is asserted, the TRNG1 responds by stopping any reseed operation that is currently underway and initiating a new reseed operation.
8	RW	0x0	trng1_ctrl_zeroize Enable TRNG1 zeroize operation. 1'b0: Disable 1'b1: Enable
7:4	RW	0x0	hdmirx_global_gpio_out_sw HDMIRX global GPIO output by software
3	RW	0x0	hdcp_hdmirx_stall HDCP0 HDMI TMDS port 0 input internal test signal. This signal is for internal use only and must be tied off to 1'b0. 1'b0: Inactive 1'b1: Active
2	RW	0x0	hdmirx_sdain_msk Mask for HDMIRX DDC SDA data input. 1'b0: Masked, HDMIRX DDC SDA data input is tied to 1 1'b1: Not masked, HDMIRX DDC SDA data input is from IO
1	RW	0x0	hdmirx_sclin_msk Mask for HDMIRX DDC SCL data input. 1'b0: Masked, HDMIRX DDC SCL data input is tied to 1 1'b1: Not masked, HDMIRX DDC SCL data input is from IO
0	RW	0x0	hdmirx_cecin_msk Mask for HDMIRX CEC data input. 1'b0: Not masked, HDMIRX CEC data input is from IO 1'b1: Masked, HDMIRX CEC data input is tied to 1

**VO1 GRF VO1 CON3**

Address: Operational Base + offset (0x000C)

Bit	Attr	Reset Value	Description
31:16	WO	0x0000	write_enable Write enable for lower 16 bits, each bit is individual. 1'b0: Write access disable 1'b1: Write access enable
15	RW	0x0	hdmitx0_global_gpio_out_sel Selection for hdmitx0_global_gpio_out. 1'b0: Select hdcp1_global_gpio_out as hdmitx0_global_gpio_out 1'b1: Select hdmitx0_hdcp_global_gpio_out_sw as hdmitx0_global_gpio_out
14	RW	0x0	hdmitx0_spdif_sel Enable connect SPDIF3 interface to HDMITX0 SPDIF port. 1'b0: Disable 1'b1: Enable
13	RW	0x0	hdmitx0_i2s_sel Enable connect I2S5_8CH interface to HDMITX0 I2S port. 1'b0: Disable 1'b1: Enable
12	RW	0x0	hdmitx0_compress_mode Enable data compress for HDMITX0 interface . 1'b0: Disable 1'b1: Enable

Bit	Attr	Reset Value	Description
11	RW	0x0	hdmitx0_mode Enable HDMITX0 interface. 1'b0: Disable 1'b1: Enable
10	RW	0x0	hdmitx0_sdain_msk Mask for HDMITX0 DDC SDA data input. 1'b0: Masked, HDMITX0 DDC SDA data input is tied to 1 1'b1: Not masked, HDMITX0 DDC SDA data input is from IO
9	RW	0x0	hdmitx0_sclin_msk Mask for HDMITX0 DDC SCL data input. 1'b0: Masked, HDMITX0 DDC SCL data input is tied to 1 1'b1: Not masked, HDMITX0 DDC SCL data input is from IO
8	RW	0x0	hdmitx0_cecin_msk Mask for HDMITX0 CEC data input. 1'b0: Not masked, HDMITX0 CEC data input is from IO 1'b1: Masked, HDMITX0 CEC data input is tied to 1
7:4	RW	0x0	hdmitx0_color_depth HDMITX0 image pixel interace video color depth. 4'h5: 8 bits per component 4'h6: 10 bits per component Others: Reserved
3:0	RW	0x0	hdmitx0_ipi_format HDMITX0 image pixel interace video format. 4'h0: RGB 4'h2: YCbCr 4:4:4 4'h3: YCbCr 4:2:0 4'hb: Compressed Data Others: Reserved

**VO1 GRF VO1 CON4**

Address: Operational Base + offset (0x0010)

Bit	Attr	Reset Value	Description
31:16	WO	0x0000	write_enable Write enable for lower 16 bits, each bit is individual. 1'b0: Write access disable 1'b1: Write access enable
15	RW	0x0	hdmitx0_grf_revapb_sel Control for HDMITX0 REVOC FIFO memory. 1'b0: Select HDMITX0 to control the REVOC FIFO memory 1'b1: Select CPU to control the REVOC FIFO memory
14	RW	0x0	hdmitx0_iearcbpclk_valid HDMITX0 IEARC_BPCLK enable by softwar 1'b0: Enable IEARC_BPCLK 1'b1: Disable IEARC_BPCLK
13	RW	0x0	hdmitx0_dbgcmdc_rcven HDMITX0 phyi_earc_dmac_en configuration by software. 1'b0: Set phyi_earc_dmac_en as 1'b0 1'b1: Set phyi_earc_dmac_en as 1'b1 Active when hdmitx0_dbgearc_mod is 1.
12	RW	0x0	hdmitx0_dbgcmdc_rxen HDMITX0 phyi_earc_rx_mode configuration by software. 1'b0: Set phyi_earc_rx_mode as 1'b0 1'b1: Set phyi_earc_rx_mode as 1'b1 Active when hdmitx0_dbgearc_mod is 1.

Bit	Attr	Reset Value	Description
11	RW	0x0	hdmitx0_dbgcmdc_drv HDMITX0 phyi_earc_tx_mode configuration by software. 1'b0: Set phyi_earc_tx_mode as 1'b0 1'b1: Set phyi_earc_tx_mode as 1'b1 Active when hdmitx0_dbgearc_mod is 1.
10	RW	0x0	hdmitx0_dbgcmdc_ack HDMITX0 iearcrx_cmdc_dataout_drv_en_ack configuration by software. 1'b0: Set iearcrx_cmdc_dataout_drv_en_ack as 1'b0 1'b1: Set iearcrx_cmdc_dataout_drv_en_ack as 1'b1 Active when hdmitx0_dbgearc_mod is 1
9	RW	0x0	hdmitx0_dbgearc_mod Enable HDMITX0 eARC debug mode. 1'b0: Disable 1'b1: Enable
8	RW	0x0	hdmitx0_earc_selcru Clock selection for HDMITX0 iearc_bpclk. 1'b0: Select the phyo_earc_dmac_rxclk generated HDMITXPHY0 as the HDMITX0 iearc_bpclk 1'b1: Select the cruo_earc_dmac_rxclk generated by CRU as the HDMITX0 iearc_bpclk
7:6	RW	0x0	hdmitx0_select_sao_spdifrx Select data for HDMITX0 ARC serial audio output to SPDIF. 2'b01: Select phyo_aux_arc_rxdata from HDMITXPHY0 2'b10: Select phyo_earc_or_arc_dmac_rxdata from HDMITXPHY0 Others: Select oearcrx_dmac_sao_spdif from HDMITX0
5	RW	0x0	hdmitx0_frlchar_mem_gating Enable clock gating for HDMITX0 FRLCHAR memory. 1'b0: Enable clock gating 1'b1: Disable clock gating
4	RW	0x0	hdmitx0_set_phyclk_phase Select HDMITXPHY0 clock phase. 1'b0: 0 degree 1'b1: 180 degree
3	RW	0x0	hdmitx0_set_clr HDMITX0 54-bit data bus clear. 1'b0: Release the 54-bit data bus to normal work 1'b1: Reset the 54-bit data bus to 0
2	RW	0x0	hdmitx0_sample_value Enable sample shift data for HDMITX0. 1'b0: Enable sample shift data when cnt value=0 1'b1: Enable sample shift data when cnt value=1
1	RW	0x0	hdmitx0_to_b18_en HDMITX0 interface conversion. 1'b0: Convert 54-bit bus to 36-bit bus interface 1'b1: Convert 54-bit bus to 18-bit bus interface
0	RW	0x0	hdmitx0_frl_mode HDMITX0 mode selection. 1'b0: TMDS mode 1'b1: FRL mode

**VO1 GRF VO1 CON6**

Address: Operational Base + offset (0x0018)

Bit	Attr	Reset Value	Description
31:16	WO	0x0000	write_enable Write enable for lower 16 bits, each bit is individual. 1'b0: Write access disable 1'b1: Write access enable
15	RW	0x0	hdmitx1_global_gpio_out_sel Selection for hdmitx1_global_gpio_out. 1'b0: Select hdcp1_global_gpio_out as hdmitx1_global_gpio_out 1'b1: Select hdmitx1_hdcp_global_gpio_out_sw as hdmitx1_global_gpio_out
14	RW	0x0	hdmitx1_spdif_sel Enable connect SPDIF4 interface to HDMITX1 SPDIF port. 1'b0: Disable 1'b1: Enable
13	RW	0x0	hdmitx1_i2s_sel Enable connect I2S6_8CH interface to HDMITX1 I2S port. 1'b0: Disable 1'b1: Enable
12	RW	0x0	hdmitx1_compress_mode Enable data compress for HDMITX1 interface. 1'b0: Disable 1'b1: Enable
11	RW	0x0	hdmitx1_mode Enable HDMITX1 interface. 1'b0: Disable 1'b1: Enable
10	RW	0x0	hdmitx1_sdain_msk Mask for HDMITX1 DDC SDA data input. 1'b0: Masked, HDMITX1 DDC SDA data input is tied to 1 1'b1: Not masked, HDMITX1 DDC SDA data input is from IO
9	RW	0x0	hdmitx1_sclin_msk Mask for HDMITX1 DDC SCL data input. 1'b0: Masked, HDMITX1 DDC SCL data input is tied to 1 1'b1: Not masked, HDMITX1 DDC SCL data input is from IO
8	RW	0x0	hdmitx1_cecin_msk Mask for HDMITX1 CEC data input. 1'b0: Not masked, HDMITX1 CEC data input is from IO 1'b1: Masked, HDMITX1 CEC data input is tied to 1
7:4	RW	0x0	hdmitx1_color_depth HDMITX1 image pixel interace video color depth. 4'h5: 8 bits per component 4'h6: 10 bits per component Others: Reserved
3:0	RW	0x0	hdmitx1_ipi_format HDMITX1 image pixel interace video format. 4'h0: RGB 4'h2: YCbCr 4:4:4 4'h3: YCbCr 4:2:0 4'hb: Compressed Data Others: Reserved

**VO1 GRF VO1 CON7**

Address: Operational Base + offset (0x001C)

Bit	Attr	Reset Value	Description
31:16	WO	0x0000	write_enable Write enable for lower 16 bits, each bit is individual. 1'b0: Write access disable 1'b1: Write access enable
15	RW	0x0	hdmitx1_grf_revapb_sel Control for HDMITX1 REVOC FIFO memory. 1'b0: Select HDMITX1 to control the REVOC FIFO memory 1'b1: Select CPU to control the REVOC FIFO memory
14	RW	0x0	hdmitx1_iearcbpclk_valid HDMITX1 IEARC_BPCLK enable by software. 1'b0: Enable IEARC_BPCLK 1'b1: Disable IEARC_BPCLK
13	RW	0x0	hdmitx1_dbgcmdc_rcven HDMITX1 phyi_earc_dmac_en configuration by software. 1'b0: Set phyi_earc_dmac_en as 1'b0 1'b1: Set phyi_earc_dmac_en as 1'b1 Active when hdmitx1_dbgearc_mod is 1.
12	RW	0x0	hdmitx1_dbgcmdc_rxen HDMITX1 phyi_earc_rx_mode configuration by software. 1'b0: Set phyi_earc_rx_mode as 1'b0 1'b1: Set phyi_earc_rx_mode as 1'b1 Active when hdmitx1_dbgearc_mod is 1.
11	RW	0x0	hdmitx1_dbgcmdc_drv HDMITX1 phyi_earc_tx_mode configuration by software. 1'b0: Set phyi_earc_tx_mode as 1'b0 1'b1: Set phyi_earc_tx_mode as 1'b1 Active when hdmitx1_dbgearc_mod is 1.
10	RW	0x0	hdmitx1_dbgcmdc_ack HDMITX1 iearcrx_cmdc_dataout_drv_en_ack configuration by software. 1'b0: Set iearcrx_cmdc_dataout_drv_en_ack as 1'b0 1'b1: Set iearcrx_cmdc_dataout_drv_en_ack as 1'b1 Active when hdmitx1_dbgearc_mod is 1
9	RW	0x0	hdmitx1_dbgearc_mod Enable HDMITX1 eARC debug mode. 1'b0: Disable 1'b1: Enable
8	RW	0x0	hdmitx1_earc_selcru Clock selection for HDMITX1 iearc_bpclk. 1'b0: Select the phyo_earc_dmac_rxclk generated HDMITXPHY1 as the HDMITX1 iearc_bpclk 1'b1: Select the cruo_earc_dmac_rxclk generated by CRU as the HDMITX1 iearc_bpclk
7:6	RW	0x0	hdmitx1_select_sao_spdifrx Select data for HDMITX1 ARC serial audio output to SPDIF. 2'b01: Select phyo_aux_arc_rxdata from HDMITXPHY1 2'b10: Select phyo_earc_or_arc_dmac_rxdata from HDMITXPHY1 Others: Select oearcrx_dmac_sao_spdif from HDMITX1
5	RW	0x0	hdmitx1_frlchar_mem_gating Enable clock gating for HDMITX1 FRLCHAR memory. 1'b0: Enable clock gating 1'b1: Disable clock gating



Bit	Attr	Reset Value	Description
4	RW	0x0	hdmitx1_set_phyclk_phase Select HDMITXPHY1 clock phase. 1'b0: 0 degree 1'b1: 180 degree
3	RW	0x0	hdmitx1_set_clr HDMITX1 54-bit data bus clear. 1'b0: Release the 54-bit data bus to normal work 1'b1: Reset the 54-bit data bus to 0
2	RW	0x0	hdmitx1_sample_value Enable sample shift data for HDMITX1. 1'b0: Enable sample shift data when cnt value=0 1'b1: Enable sample shift data when cnt value=1
1	RW	0x0	hdmitx1_to_b18_en HDMITX1 interface conversion. 1'b0: Convert 54-bit bus to 36-bit bus interface 1'b1: Convert 54-bit bus to 18-bit bus interface
0	RW	0x0	hdmitx1_frl_mode HDMITX1 mode selection. 1'b0: TMDs mode 1'b1: FRL mode

**VO1 GRF VO1 CON9**

Address: Operational Base + offset (0x0024)

Bit	Attr	Reset Value	Description
31:16	WO	0x0000	write_enable Write enable for lower 16 bits, each bit is individual. 1'b0: Write access disable 1'b1: Write access enable
15	RO	0x0	reserved
14	RW	0x0	hdmirx_hdcp_i2c_grant_sw Generate HDMIRX external I2C master interface access granted indication by software. 1'b0: Inactive 1'b1: Active
13	RW	0x0	hdmitx1_hdcp_i2c_grant_sw Generate HDMITX1 external I2C master interface access granted indication by software. 1'b0: Inactive 1'b1: Active
12	RW	0x0	hdmitx1_hdcp_i2c_grant_sel Source selection for HDMITX1 external I2C master interface access granted indication. 1'b0: Select from HDMITX1 output 1'b1: Select from hdmitx1_hdcp_i2c_grant_sw
11	RW	0x0	hdmitx0_hdcp_i2c_grant_sw Generate HDMITX0 external I2C master interface access granted indication by software. 1'b0: Inactive 1'b1: Active
10	RW	0x0	hdmitx0_hdcp_i2c_grant_sel Source selection for HDMITX0 external I2C master interface access granted indication. 1'b0: Select from HDMITX0 output 1'b1: Select from hdmitx0_hdcp_i2c_grant_sw

Bit	Attr	Reset Value	Description
9:8	RW	0x0	hdmirx_debug_io_mode HDMIRX debug output information selection. 2'b00: Select HDMIRX phy signal as debug output 2'b01: Select HDMIRX video output signal as debug output 2'b10: Select HDMIRX audio output signal as debug output 2'b11: Select HDMIRX ddc signal as debug output
7:4	RW	0x0	hdmitx1_hdcp_global_gpio_out_sw Software configuration for HDMITX1 global GPIO output to HDCP.
3:0	RW	0x0	hdmitx0_hdcp_global_gpio_out_sw Software configuration for HDMITX0 global GPIO output to HDCP.

**VO1 GRF VO1 STS0**

Address: Operational Base + offset (0x0030)

Bit	Attr	Reset Value	Description
31:0	RO	0x00000000	hdcp1_diag_out HDCP1 HPI diagnosis output

**VO1 GRF VO1 STS1**

Address: Operational Base + offset (0x0034)

Bit	Attr	Reset Value	Description
31:27	RO	0x00	reserved
26	RO	0x0	hdmirx_oavmute HDMIRX avmute indication. 1'b0: Inactive 1'b1: Active
25	RO	0x0	trng1_ctrl_rand_vld TRNG1 serial random bit valid output. 1'b0: Inactive 1'b1: Active
24	RO	0x0	trng1_ctrl_rand_bit TRNG1 serial random bit output 1'b0: Inactive 1'b1: Active
23	RO	0x0	trng1_ctrl_seeded TRNG1 reseeding/seeding completion output. 1'b0: Inactive 1'b1: Active
22	RO	0x0	trng1_ctrl_reseeding TRNG1 reseeding activity output. 1'b0: Inactive 1'b1: Active
21	RO	0x0	trng1_ctrl_reminder TRNG1 reseed reminder output. 1'b0: Inactive 1'b1: Active
20	RO	0x0	trng1_ctrl_secure TRNG1 secure mode output. 1'b0: Inactive 1'b1: Active
19	RO	0x0	hdmirx_hdcp_encryption_state HDMIRX HDCP video field encryption state. 1'b0: Inactive 1'b1: Active

Bit	Attr	Reset Value	Description
18	RO	0x0	hdmirx_hdcp_authentication_start HDMIRX HDCP authentication state. 1'b0: Inactive 1'b1: Active
17:14	RO	0x0	hdmirx_aud_sample_flat HDMIRX audio sample flat or invalid from audio packet
13	RO	0x0	hdmirx_aud_external_mute HDMIRX external mute status. 1'b0: Inactive 1'b1: Active
12	RO	0x0	hdmirx_aud_fifo_mute_low_sts HDMIRX audio FIFO mute low status. 1'b0: Inactive 1'b1: Active
11	RO	0x0	hdmirx_aud_fifo_mute_high_sts HDMIRX audio FIFO mute high status. 1'b0: Inactive 1'b1: Active
10	RO	0x0	hdmirx_aud_fifo_thr_low_sts HDMIRX audio FIFO threshold low status. 1'b0: Inactive 1'b1: Active
9	RO	0x0	hdmirx_aud_fifo_thr_high_sts HDMIRX audio FIFO threshold high status. 1'b0: Inactive 1'b1: Active
8	RO	0x0	hdmirx_pkt_rcv HDMIRX packet received marker. 1'b0: Inactive 1'b1: Active
7	RO	0x0	hdmirx_pkt_err HDMIRX packet error status. 1'b0: Inactive 1'b1: Active
6	RO	0x0	hdmirx_connect HDMIRX connection to external HDCP status. 1'b0: Inactive 1'b1: Active
5	RO	0x0	hdmirx_avmute_sts HDMIRX GCP avmute status. 1'b0: Inactive 1'b1: Active
4	RO	0x0	hdmirx_hpd Hot plug detect output for HDMI source input. 1'b0: Inactive 1'b1: Active
3	RO	0x0	hdcp1_tmnds2_secure HDCP1 TMDS port 2 secure signal. When asserted this signal indicates the video and data islands for the frame are encrypted on the link. 1'b0: Inactive 1'b1: Active

Bit	Attr	Reset Value	Description
2	RO	0x0	hdcp1_tmds1_secure HDCP1 TMDS port 1 secure signal. When asserted this signal indicates the video and data islands for the frame are encrypted on the link. 1'b0: Inactive 1'b1: Active
1	RO	0x0	hdcp1_tmds0_secure HDCP1 TMDS port 0 secure signal. When asserted this signal indicates the video and data islands for the frame are encrypted on the link. 1'b0: Inactive 1'b1: Active
0	RO	0x0	reserved

**VO1 GRF VO1 STS2**

Address: Operational Base + offset (0x0038)

Bit	Attr	Reset Value	Description
31:16	RO	0x0000	hdcp1_p1_gpio_out HDCP1 port 1 GPIO output
15:0	RO	0x0000	hdcp1_p0_gpio_out HDCP1 port 0 GPIO output

**VO1 GRF VO1 STS3**

Address: Operational Base + offset (0x003C)

Bit	Attr	Reset Value	Description
31:28	RO	0x0	reserved
27:24	RO	0x0	hdmitx0_hdcp_global_gpio_in HDMITX0 global GPIO input
23:20	RO	0x0	hdmitx0_hdcp_p0_gpio_in HDMITX0 port 0 GPIO input
19:16	RO	0x0	hdcp1_global_gpio_out HDCP1 global GPIO output
15:0	RO	0x0000	hdcp1_p2_gpio_out HDCP1 port 2 GPIO output

**VO1 GRF VO1 STS4**

Address: Operational Base + offset (0x0040)

Bit	Attr	Reset Value	Description
31:23	RO	0x0000	reserved
22:16	RO	0x00	hdmirx_debug_io HDMIRX debug output.
15:12	RO	0x0	hdmirx_hdcp_global_gpio_in HDMIRX global GPIO input
11	RO	0x0	reserved
10:8	RO	0x0	hdmirx_hdcp_p0_gpio_in HDMIRX port 0 GPIO input
7:4	RO	0x0	hdmitx1_hdcp_global_gpio_in HDMITX1 global GPIO input
3:0	RO	0x0	hdmitx1_hdcp_p0_gpio_in HDMITX1 port 0 GPIO input

**VO1 GRF VO1 STS5**

Address: Operational Base + offset (0x0044)

Bit	Attr	Reset Value	Description
31:29	RO	0x0	reserved
28	RO	0x0	hdmitx0_oeartx_h14arc_sel HDMITX0 eARC RX PHY HDMI14b ARC mode selection. 1'b0: Inactive 1'b1: Active
27	RO	0x0	hdmitx0_oeartx_dmac_phy_rcv_en HDMITX0 eARC RX PHY DMAC receiver enable status. 1'b0: Inactive 1'b1: Active
26	RO	0x0	hdmitx0_oeartx_cmdc_rx_en HDMITX0 eARC RX PHY common mode receiver enable status. 1'b0: Inactive 1'b1: Active
25	RO	0x0	hdmitx0_oeartx_cmdc_dataout_drv_en HDMITX0 eARC RX PHY common mode driver enable status. 1'b0: Inactive 1'b1: Active
24	RO	0x0	hdmitx0_phy_sb_rdy HDMITXPHY0 sideband ready status. 1'b0: Inactive 1'b1: Active
23:22	RO	0x0	hdmitx0_ophy_data_l3 Bit[1:0] of HDMITX0 data output to PHY lane 3
21:20	RO	0x0	hdmitx0_ophy_data_l2 Bit[1:0] of HDMITX0 data output to PHY lane 2
19:18	RO	0x0	hdmitx0_ophy_data_l1 Bit[1:0] of HDMITX0 data output to PHY lane 1
17:16	RO	0x0	hdmitx0_ophy_data_l0 Bit[1:0] of HDMITX0 data output to PHY lane 0
15:12	RO	0x0	hdmitx0_ophy_txffe3 HDMITX0 TxFFE setting for PHY lane 3
11:8	RO	0x0	hdmitx0_ophy_txffe2 HDMITX0 TxFFE setting for PHY lane 2
7:4	RO	0x0	hdmitx0_ophy_txffe1 HDMITX0 TxFFE setting for PHY lane 1
3:0	RO	0x0	hdmitx0_ophy_txffe0 HDMITX0 TxFFE setting for PHY lane 0

**VO1 GRF VO1 STS6**

Address: Operational Base + offset (0x0048)

Bit	Attr	Reset Value	Description
31:29	RO	0x0	reserved
28	RO	0x0	hdmitx1_oeartx_h14arc_sel HDMITX1 eARC RX PHY HDMI14b ARC mode selection. 1'b0: Inactive 1'b1: Active
27	RO	0x0	hdmitx1_oeartx_dmac_phy_rcv_en HDMITX1 eARC RX PHY DMAC receiver enable status. 1'b0: Inactive 1'b1: Active
26	RO	0x0	hdmitx1_oeartx_cmdc_rx_en HDMITX1 eARC RX PHY common mode receiver enable status. 1'b0: Inactive 1'b1: Active

Bit	Attr	Reset Value	Description
25	RO	0x0	hdmitx1_earcrx_cmdc_dataout_drv_en HDMITX1 eARC RX PHY common mode driver enable status. 1'b0: Inactive 1'b1: Active
24	RO	0x0	hdmitx1_phyo_sb_rdy HDMITXPHY1 sideband ready status. 1'b0: Inactive 1'b1: Active
23:22	RO	0x0	hdmitx1_ophy_data_l3 Bit[1:0] of HDMITX1 data output to PHY lane 3
21:20	RO	0x0	hdmitx1_ophy_data_l2 Bit[1:0] of HDMITX1 data output to PHY lane 2
19:18	RO	0x0	hdmitx1_ophy_data_l1 Bit[1:0] of HDMITX1 data output to PHY lane 1
17:16	RO	0x0	hdmitx1_ophy_data_l0 Bit[1:0] of HDMITX1 data output to PHY lane 0
15:12	RO	0x0	hdmitx1_ophy_txffe3 HDMITX1 TxFFE setting for PHY lane 3
11:8	RO	0x0	hdmitx1_ophy_txffe2 HDMITX1 TxFFE setting for PHY lane 2
7:4	RO	0x0	hdmitx1_ophy_txffe1 HDMITX1 TxFFE setting for PHY lane 1
3:0	RO	0x0	hdmitx1_ophy_txffe0 HDMITX1 TxFFE setting for PHY lane 0

**VO1 GRF MEM CON0**

Address: Operational Base + offset (0x0050)

Bit	Attr	Reset Value	Description
31:16	WO	0x0000	write_enable Write enable for lower 16 bits, each bit is individual. 1'b0: Write access disable 1'b1: Write access enable
15:0	RW	0x1410	mem_cfg_hdsprf Interface configuration for HDSPRF type memory in PD_VO1. Bit[0]: TEST1 Bit[1]: TEST_RNM Bit[4:2]: RM Bit[5]: WMD Bit[7]: LS Bit[11:10]: WPULSE Bit[13:12]: RA Other bits: Reserved

**VO1 GRF MEM CON1**

Address: Operational Base + offset (0x0054)

Bit	Attr	Reset Value	Description
31:16	WO	0x8010	write_enable Write enable for lower 16 bits, each bit is individual. 1'b0: Write access disable 1'b1: Write access enable

Bit	Attr	Reset Value	Description
15:0	RW	0x0010	mem_cfg_hsdprf_l16 Interface configuration for HSDPRF type memory in PD_VO1, lower 16 bits. Bit[0]: TEST1A Bit[1]: TEST_RNMA Bit[5:2]: RMA Bit[6]: WMDA Bit[8]: LS Bit[11:11]: WPULSE Bit[14:13]: RA Bit[15]: WA[0]

**VO1 GRF MEM CON2**

Address: Operational Base + offset (0x0058)

Bit	Attr	Reset Value	Description
31:16	WO	0x0000	write_enable Write enable for lower 16 bits, each bit is individual. 1'b0: Write access disable 1'b1: Write access enable
15:9	RO	0x00	reserved
8:0	RW	0x011	mem_cfg_hsdprf_h8 Interface configuration for HSDPRF type memory in PD_VO1, higher 8 bits. Bit[0]: WA[1] Bit[1]: TEST1B Bit[5:2]: RMB Other bits: Reserved

**6.16 USB\_GRF Register Description**

**6.16.1 Registers Summary**

Name	Offset	Size	Reset Value	Description
USB GRF HOST0 CON0	0x0000	W	0x00000820	usb host0 fladj control
USB GRF HOST0 CON1	0x0004	W	0x000004BC	usb host0 control1
USB GRF HOST1 CON0	0x0008	W	0x00000820	usb host1 fladj control
USB GRF HOST1 CON1	0x000C	W	0x000004BC	usb host1 control1
USB GRF HOST0 STATUS	0x0010	W	0x00000000	usb host0 status
USB GRF HOST1 STATUS	0x0014	W	0x00000000	usb host0 status
USB GRF USB3OTG0 CON0	0x0018	W	0x00002000	usb3otg_0 control0
USB GRF USB3OTG0 CON1	0x001C	W	0x00001100	usb3otg_0 control1
USB GRF USB3OTG0 STATUS LAT0	0x0020	W	0x00000000	usb3otg_0 logic analyzer Trace low
USB GRF USB3OTG0 STATUS LAT1	0x0024	W	0x00000000	usb3otg_0 logic analyzer Trace high
USB GRF USB3OTG0 STATUS CB	0x0028	W	0x000007E8	usb3otg_0 current BELT value

Name	Offset	Size	Reset Value	Description
USB GRF USB3OTG0 ST ATUS	0x002C	W	0x00000000	usb3otg_0 status
USB GRF USB3OTG1 CON0	0x0030	W	0x00002000	usb3otg_1 control0
USB GRF USB3OTG1 CON1	0x0034	W	0x00001100	usb3otg_2 control0
USB GRF USB3OTG1 ST ATUS LAT0	0x0038	W	0x00000000	usb3otg_1 logic analyzer Trace low
USB GRF USB3OTG1 ST ATUS LAT1	0x003C	W	0x00000000	usb3otg_1 logic analyzer Trace high
USB GRF USB3OTG1 ST ATUS CB	0x0040	W	0x0000078E	usb3otg_1 current BELT value
USB GRF USB3OTG1 ST ATUS	0x0044	W	0x00000000	usb3otg_1 status
USB GRF USB3OTG0 INT CON	0x0048	W	0x00000000	usb3otg_0 interrupt control
USB GRF USB3OTG1 INT CON	0x004C	W	0x00000000	usb3otg_1 interrupt control
USB GRF GRF MEM CON0	0x0050	W	0x00008010	usb memory configuration signal for uhdprf
USB GRF GRF MEM CON2	0x0058	W	0x00001410	usb memory configuration signal for hdsprf

Notes: **Size: B**- Byte (8 bits) access, **HW**- Half WORD (16 bits) access, **W**-WORD (32 bits) access, **DW**- Double WORD (64 bits) access

### 6.16.2 Detail Registers Description

#### **USB GRF HOST0 CON0**

Address: Operational Base + offset (0x0000)

Bit	Attr	Reset Value	Description
31:16	WO	0x0000	write_enable Write enable for lower 16bits, each bit is individual. 1'b0: Write access disable 1'b1: Write access enable
15:12	RO	0x0	reserved
11:6	RW	0x20	host0_fladj_val_common This feature adjusts any offset from the clock source that drives the macro-SOF counter. The macro-SOF cycle time (number of macro-SOF counter clock periods to generate a macro-SOF microframe length) is equal to 59488 plus this value. The default value is decimal 32, which gives an SOF cycle time of 60000 (each microframe has 60000 bit times). Frame Length (decimal) FLADJ Value (decimal) 59488 0 (0x00) 59504 1 (0x01) 59520 2 (0x02) ... .. 59984 31 (0x1F) 60000 32 (0x20) ... .. 60496 63 (0x3F)



Bit	Attr	Reset Value	Description
5:0	RW	0x20	host0_fladj_val USBHOST fladj bit control. This feature adjusts the frame length of the microframe per port. This value must be the same as that of host0_fladj_val_common, or the EHCI yields undefined results.

**USB GRF HOST0 CON1**

Address: Operational Base + offset (0x0004)

Bit	Attr	Reset Value	Description
31:16	WO	0x0000	write_enable Write enable for lower 16bits, each bit is individual. 1'b0: Write access disable 1'b1: Write access enable
15:14	RO	0x0	reserved
13	RW	0x0	host0_arb_pause USBHOST ehci/ohci arbiter pause control. 1'b0: Disable 1'b1: Enable
12	RW	0x0	host0_ohci_susp_lgcy OHCI Clock control signal This is a static strap signal. When tied HIGH and the USB port is owned by OHCI, the signal utmi_suspend_o_n reflects the status of the USB port. (suspend or not suspend).
11	RW	0x0	host0_ohci_cntsel Count Select Selects the counter value for simulation or real time for 1 ms. 1'b0: Count full 1 ms 1'b1: Simulation time
10	RW	0x1	host0_ohci_clkcktrst Clear Clock Reset Initial reset signal for the Digital Phase-Locked Loop (DPLL) block. This is needed only for simulation and can be tied to inactive in the real netlist. The duration of the reset in simulation must be the same as hreset_n.
9	RW	0x0	host0_app_prt_ovrcur Port Overcurrent Indication from Application When asserted by the application, the corresponding port enters Disable state. This signal controls both EHCI and OHCI controller port state machines. Depending on ownership of the port, the corresponding EHCI or OHCI controller generates an Overcurrent Detect interrupt.
8	RW	0x0	host0_autoppd_on_ovrcur_en Auto Port Power Disable on Overcurrent This strap signal enables automatic port power disable in the host controller. When this signal is active, if an over-current condition is detected on a powered port and PPC is 1, the PP bit in each affected port is automatically transitioned by the host controller from a 1 to 0, removing power from the port.
7	RW	0x1	host0_word_if Word Interface Selects the data width of the UTMI PHY interface. 1'b1: 16bit interface 1'b0: 8bit interface Only 16bit used in this application.

Bit	Attr	Reset Value	Description
6	RW	0x0	host0_sim_mode USB HOST0 simulation mode bit control Not used in application.
5	RW	0x1	host0_incrx_en Burst Alignment Enable Forces AHB master to start INCR4/8/16 busts only on burst boundaries. AHB requires that double word width burst be addressed aligned only to the double-word boundary. 1'b1: Start INCRX burst only on burst x-aligned addresses. 1'b0: Normal AHB operation; start bursts on any double word boundary. Note: When this function is enabled, the burst is started only when the lowest bits of haddr are: INCR4: haddr[3:0] == 4'b0000 INCR8: haddr[4:0] == 5'b00000 INCR16: haddr[5:0] == 6'b000000
4	RW	0x1	host0_incr8_en AHB Burst Type INCR8 Enable Enables the AHB master interface to utilize burst INCR8 when appropriate. 1'b1: Use INCR8 when appropriate. 1'b0: Do not use INCR8; use other enabled INCRX bursts or unspecified length burst INCR.
3	RW	0x1	host0_incr4_en AHB Burst Type INCR4 Enable Enables the AHB master interface to utilize burst INCR4 when appropriate. 1'b1: Use INCR4 when appropriate. 1'b0: Do not use INCR4; use other enabled INCRX bursts or unspecified length burst INCR.
2	RW	0x1	host0_incr16_en AHB Burst Type INCR16 Enable Enables the AHB master interface to utilize burst INCR16 when appropriate. 1'b1: Use INCR16 when appropriate. 1'b0: Do not use INCR16; use other enabled INCRX bursts or unspecified length burst INCR.
1	RW	0x0	host0_hubsetup_min Some FS devices down the hub do not recover properly after a pre-amble packet, directed at other LS device, if the hub setup time is four FS clocks. Four FS clocks just meet the specification. By adding one extra clock, these FS devices are made to work better. This strap selects four or five FS clocks as hub setup time for interoperability with the various devices. It is recommended to tie low, that is, for five FS clocks.
0	RW	0x0	host0_app_start_clk OHCI Clock control signal This is an asynchronous primary input to the host core. When the OHCI clocks are suspended, the system has to assert this signal to start the clocks (12 and 48 MHz). This should be de-asserted after the clocks are started and before the host is suspended again. (Host is suspended means HCFS = SUSPEND or all the OHCI ports are suspended).

**USB GRF HOST1 CON0**

Address: Operational Base + offset (0x0008)

Bit	Attr	Reset Value	Description
31:16	WO	0x0000	write_enable Write enable for lower 16bits, each bit is individual. 1'b0: Write access disable 1'b1: Write access enable
15:12	RO	0x0	reserved
11:6	RW	0x20	host0_fladj_val_common This feature adjusts any offset from the clock source that drives the macro-SOF counter. The macro-SOF cycle time (number of macro-SOF counter clock periods to generate a macro-SOF microframe length) is equal to 59488 plus this value. The default value is decimal 32, which gives an SOF cycle time of 60000 (each microframe has 60000 bit times). Frame Length (decimal) FLADJ Value (decimal) 59488 0 (0x00) 59504 1 (0x01) 59520 2 (0x02) ... .. 59984 31 (0x1F) 60000 32 (0x20) ... .. 60496 63 (0x3F)
5:0	RW	0x20	host0_fladj_val USBHOST fladj bit control. This feature adjusts the frame length of the microframe per port. This value must be the same as that of host0_fladj_val_common, or the EHCI yields undefined results.

**USB GRF HOST1 CON1**

Address: Operational Base + offset (0x000C)

Bit	Attr	Reset Value	Description
31:16	WO	0x0000	write_enable Write enable for lower 16bits, each bit is individual. 1'b0: Write access disable 1'b1: Write access enable
15:14	RO	0x0	reserved
13	RW	0x0	host0_arb_pause USBHOST ehci/ohci arbiter pause control. 1'b0: Disable 1'b1: Enable
12	RW	0x0	host0_ohci_susp_lgcy OHCI Clock control signal This is a static strap signal. When tied HIGH and the USB port is owned by OHCI, the signal utmi_suspend_o_n reflects the status of the USB port. (suspend or not suspend).
11	RW	0x0	host0_ohci_cntsel Count Select Selects the counter value for simulation or real time for 1 ms. 1'b0: Count full 1 ms 1'b1: Simulation time

Bit	Attr	Reset Value	Description
10	RW	0x1	<p>host0_ohci_clkcktrst Clear Clock Reset</p> <p>Initial reset signal for the Digital Phase-Locked Loop (DPLL) block. This is needed only for simulation and can be tied to inactive in the real netlist. The duration of the reset in simulation must be the same as hreset_n.</p>
9	RW	0x0	<p>host0_app_prt_ovrcur Port Overcurrent Indication from Application</p> <p>When asserted by the application, the corresponding port enters Disable state. This signal controls both EHCI and OHCI controller port state machines. Depending on ownership of the port, the corresponding EHCI or OHCI controller generates an Overcurrent Detect interrupt.</p>
8	RW	0x0	<p>host0_autoppd_on_overcur_en Auto Port Power Disable on Overcurrent</p> <p>This strap signal enables automatic port power disable in the host controller. When this signal is active, if an over-current condition is detected on a powered port and PPC is 1, the PP bit in each affected port is automatically transitioned by the host controller from a 1 to 0, removing power from the port.</p>
7	RW	0x1	<p>host0_word_if Word Interface</p> <p>Selects the data width of the UTMI PHY interface. 1'b1: 16bit interface 1'b0: 8bit interface Only 16bit used in this application.</p>
6	RW	0x0	<p>host0_sim_mode USB HOST0 simulation mode bit control</p> <p>Not used in application.</p>
5	RW	0x1	<p>host0_incrx_en Burst Alignment Enable</p> <p>Forces AHB master to start INCR4/8/16 busts only on burst boundaries. AHB requires that double word width burst be addressed aligned only to the double-word boundary. 1'b1: Start INCRX burst only on burst x-aligned addresses. 1'b0: Normal AHB operation; start bursts on any double word boundary.</p> <p>Note: When this function is enabled, the burst is started only when the lowest bits of haddr are: INCR4: haddr[3:0] == 4'b0000 INCR8: haddr[4:0] == 5'b00000 INCR16: haddr[5:0] == 6'b000000</p>
4	RW	0x1	<p>host0_incr8_en AHB Burst Type INCR8 Enable</p> <p>Enables the AHB master interface to utilize burst INCR8 when appropriate. 1'b1: Use INCR8 when appropriate. 1'b0: Do not use INCR8; use other enabled INCRX bursts or unspecified length burst INCR.</p>

Bit	Attr	Reset Value	Description
3	RW	0x1	host0_incr4_en AHB Burst Type INCR4 Enable Enables the AHB master interface to utilize burst INCR4 when appropriate. 1'b1: Use INCR4 when appropriate. 1'b0: Do not use INCR4; use other enabled INCRX bursts or unspecified length burst INCR.
2	RW	0x1	host0_incr16_en AHB Burst Type INCR16 Enable Enables the AHB master interface to utilize burst INCR16 when appropriate. 1'b1: Use INCR16 when appropriate. 1'b0: Do not use INCR16; use other enabled INCRX bursts or unspecified length burst INCR.
1	RW	0x0	host0_hubsetup_min Some FS devices down the hub do not recover properly after a pre-amble packet, directed at other LS device, if the hub setup time is four FS clocks. Four FS clocks just meet the specification. By adding one extra clock, these FS devices are made to work better. This strap selects four or five FS clocks as hub setup time for interoperability with the various devices. It is recommended to tie low, that is, for five FS clocks.
0	RW	0x0	host0_app_start_clk OHCI Clock control signal This is an asynchronous primary input to the host core. When the OHCI clocks are suspended, the system has to assert this signal to start the clocks (12 and 48 MHz). This should be de-asserted after the clocks are started and before the host is suspended again. (Host is suspended means HCFS = SUSPEND or all the OHCI ports are suspended).

**USB GRF HOST0 STATUS**

Address: Operational Base + offset (0x0010)

Bit	Attr	Reset Value	Description
31	RO	0x0	reserved
30	RO	0x0	host0_ehci_power_state_ack Power State ACK This signal indicates the power state change acknowledgement from the EHCI to the PCI for PCI power management.
29	RO	0x0	host0_ehci_pme_status PME Status This signal displays the PME status. This value is updated in the PCI PMCSR's pme_status bit.
28	RO	0x0	host0_ehci_bufacc EHCI Buffer Access Level signal that is asserted whenever the host controller does a data read/write transfer. If this signal is de-asserted while the AHB is active, the host controller is performing a descriptor read/write. This signal can be used to support Big Endian operation.
27	RO	0x0	host0_ehci_xfer_prdc Transfer Periodic Indicates that the current transfer of the EHCI master on the AHB bus belongs to periodic descriptor/data.

Bit	Attr	Reset Value	Description
26	RO	0x0	<p>host0_ohci_ccs Current Connect Status of Each Port When set, this bit indicates that the port state machine is in a connected state. If the bit is cleared, the port state machine is in either a disconnected or powered-off state.</p>
25	RO	0x0	<p>host0_ohci_rwe Remote Wake Up Enable This bit reflects the HcControl.RWE bit. This is brought out as a status signal and can be ignored by the application for normal host controller operation.</p>
24	RO	0x0	<p>host0_ohci_drwe Device Remote Wake-Up Enable This signal reflects the HcRhStatus.DRWE bit. When active, it causes the host controller to treat a connect or disconnect event as a remote wake-up, which in turn causes the host controller to enter the Global Resume state from the Global Suspend state. If this bit is cleared, a connect or disconnect event is not treated as a remote wake-up event.</p>
23	RO	0x0	<p>host0_ohci_globalsuspend Host Controller is in Global Suspend State This signal is asserted 5 ms after the host controller enters the USB Suspend state, and is asserted as long as the host controller remains in this state. The host controller enters the USB Suspend state when the Host Controller Driver forces it by writing to the HcControl.HCFS bits. The host controller exits this state when either the Host Controller Driver moves it to USB Reset (Global USB Reset) or USB Resume (Global Resume) or when a remote wake-up event is seen at one of the downstream USB ports.</p>
22	RO	0x0	<p>host0_ohci_bufacc Host Controller Buffer Access Indicator When active, this signal indicates that the host controller is currently accessing the data buffer indicated by the TD. This is simply a status signal to let the application know whether the host controller is reading from or writing to the data buffer indicated by TD, or reading from or writing to the ED, TD descriptor, etc. If this is set (1) during the cycle on the HCI master bus, it indicates buffer fetch and if reset (0), all other transfers (such as ED, TD fetch, and Status Writeback). This is a status signal; the application need not take any action when it is asserted.</p>
21	RO	0x0	<p>host0_ohci_rmtwkp Remote Wakeup Status See the HCI_MRmtWkp signal description in the USB 1.1 OHCI Host Controller Family Databook.</p>
20:17	RO	0x0	<p>host0_ehci_lpsmc_state LPSMC State This signal indicates the state of the LPSMC module. It is used only for debugging.</p>
16:11	RO	0x00	<p>host0_ehci_usbsts USB Status EHCI USBSTS register[5:0] bits. This signal indicates pending interrupts and various host controller statuses. These 6 bits reflect the value in the USBSTS[5:0] register. Active High.</p>

Bit	Attr	Reset Value	Description
10:0	RO	0x000	<p>host0_ehci_xfer_cnt Transfer Count</p> <p>Transfer byte count from the EHCI master of the current AHB transaction. This is a constant signal and its value is valid when the EHCI starts its AHB address phase.</p> <p>The host controller aborts an AHB transfer before completing the transactions specified in ehci_xfer_cnt when a data read transaction is in progress and both these conditions are true:</p> <ol style="list-style-type: none"> <li>1. There is insufficient time to complete the USB transfer.</li> <li>2. The Root Hub detects an underrun condition.</li> </ol>

**USB GRF HOST1 STATUS**

Address: Operational Base + offset (0x0014)

Bit	Attr	Reset Value	Description
31	RO	0x0	reserved
30	RO	0x0	<p>host1_ehci_power_state_ack Power State ACK</p> <p>This signal indicates the power state change acknowledgement from the EHCI to the PCI for PCI power management.</p>
29	RO	0x0	<p>host1_ehci_pme_status PME Status</p> <p>This signal displays the PME status. This value is updated in the PCI PMCSR's pme_status bit.</p>
28	RO	0x0	<p>host1_ehci_bufacc EHCI Buffer Access</p> <p>Level signal that is asserted whenever the host controller does a data read/write transfer. If this signal is de-asserted while the AHB is active, the host controller is performing a descriptor read/write. This signal can be used to support Big Endian operation.</p>
27	RO	0x0	<p>host1_ehci_xfer_prdc Transfer Periodic</p> <p>Indicates that the current transfer of the EHCI master on the AHB bus belongs to periodic descriptor/data.</p>
26	RO	0x0	<p>host1_ohci_ccs Current Connect Status of Each Port</p> <p>When set, this bit indicates that the port state machine is in a connected state. If the bit is cleared, the port state machine is in either a disconnected or powered-off state.</p>
25	RO	0x0	<p>host1_ohci_rwe Remote Wake Up Enable</p> <p>This bit reflects the HcControl.RWE bit. This is brought out as a status signal and can be ignored by the application for normal host controller operation.</p>
24	RO	0x0	<p>host1_ohci_drwe Device Remote Wake-Up Enable</p> <p>This signal reflects the HcRhStatus.DRWE bit. When active, it causes the host controller to treat a connect or disconnect event as a remote wake-up, which in turn causes the host controller to enter the Global Resume state from the Global Suspend state. If this bit is cleared, a connect or disconnect event is not treated as a remote wake-up event.</p>

Bit	Attr	Reset Value	Description
23	RO	0x0	<p>host1_ohci_globalsuspend Host Controller is in Global Suspend State This signal is asserted 5 ms after the host controller enters the USB Suspend state, and is asserted as long as the host controller remains in this state. The host controller enters the USB Suspend state when the Host Controller Driver forces it by writing to the HcControl.HCFS bits. The host controller exits this state when either the Host Controller Driver moves it to USB Reset (Global USB Reset) or USB Resume (Global Resume) or when a remote wake-up event is seen at one of the downstream USB ports.</p>
22	RO	0x0	<p>host1_ohci_bufacc Host Controller Buffer Access Indicator When active, this signal indicates that the host controller is currently accessing the data buffer indicated by the TD. This is simply a status signal to let the application know whether the host controller is reading from or writing to the data buffer indicated by TD, or reading from or writing to the ED, TD descriptor, etc. If this is set (1) during the cycle on the HCI master bus, it indicates buffer fetch and if reset (0), all other transfers (such as ED, TD fetch, and Status Writeback). This is a status signal; the application need not take any action when it is asserted.</p>
21	RO	0x0	<p>host1_ohci_rmtwkp Remote Wakeup Status See the HCI_MRmtWkp signal description in the USB 1.1 OHCI Host Controller Family Databook.</p>
20:17	RO	0x0	<p>host1_ehci_lpsmc_state LPSMC State This signal indicates the state of the LPSMC module. It is used only for debugging.</p>
16:11	RO	0x00	<p>host1_ehci_usbsts USB Status EHCI USBSTS register[5:0] bits. This signal indicates pending interrupts and various host controller statuses. These 6 bits reflect the value in the USBSTS[5:0] register. Active High.</p>
10:0	RO	0x000	<p>host1_ehci_xfer_cnt Transfer Count Transfer byte count from the EHCI master of the current AHB transaction. This is a constant signal and its value is valid when the EHCI starts its AHB address phase. The host controller aborts an AHB transfer before completing the transactions specified in ehci_xfer_cnt when a data read transaction is in progress and both these conditions are true: 1. There is insufficient time to complete the USB transfer. 2. The Root Hub detects an underrun condition.</p>

**USB GRF USB3OTG0 CON0**

Address: Operational Base + offset (0x0018)

Bit	Attr	Reset Value	Description
31:16	WO	0x0000	<p>write_enable Write enable for lower 16bits, each bit is individual. 1'b0: Write access disable 1'b1: Write access enable</p>



Bit	Attr	Reset Value	Description
15	RW	0x0	usb3otg0_host_u2_port_disable USB2.0 Port Disable control. 1'b0: Port Enabled. 1'b1: Port Disabled When 1, this signal stops reporting connect/disconnect events the port and keeps the port in disabled state.
14	RW	0x0	usb3otg0_host_port_power_control_present This indicates whether the host controller implementation includes port power control. 1'b0: Indicates that the port does not have port power switches. 1'b1: Indicates that the port has port power switches.
13:8	RW	0x20	usb3otg0_fladj_30mhz_reg HS Jitter Adjustment. Indicates the correction required to accommodate mac3 clock and utmi clock jitter to measure 125 's duration. With fladj_30mhz_reg tied to zero, the high speed 125us micro-frame is counted for 123933ns. You must program the value in terms of high speed bit times in a 30 MHz cycle. The default value that must be driven is 32 (assuming 30 MHz perfect clock). Fladj_30mhz_reg connects to the FLADJ register defined in the xHCI spec in the PCI configuration space. Each count is equal to 16 high speed bit times. By default, when this register is set to 32, it gives a 125us interval. Now, based the clock accuracy you can decrement the count or increment the count to get the 125 us uSOF window. For non-PCI systems, it is recommended that this strap is connected to a register that can be controlled by software. This strap is used in device mode also. If device only mode is implemented, it is recommended to tie this input to 'd32.
7:6	RW	0x0	usb3otg0_hub_port_perm_attach Indicates if the device attached to a downstream port is permanently attached or not. 1'b0: Not permanently attached 1'b1: Permanently attached Bit0 is for USB2.0 port and bit1 are for USB 3.0 SS port.
5:4	RW	0x0	usb3otg0_hub_port_overcurrent This is the per port Overcurrent indication of the root-hub ports: 1'b0: No Overcurrent 1'b1: Overcurrent Bit0 is for USB 2.0 port and bit1 are for USB 3.0 SS port.
3:0	RW	0x0	usb3otg0_bus_filter_bypass It is expected that this signal is set or reset at power-on reset and is not changed during the normal operation of the core. The function of each bit is: bus_filter_bypass[3]: Bypass the filter for utmiotg_iddig bus_filter_bypass[2]: Bypass the filters for utmisrp_bvalid and utmisrp_sessend bus_filter_bypass[1]: Bypass the filter for pipe3_PowerPresent all U3 ports bus_filter_bypass[0]: Bypass the filter for utmiotg_vbusvalid all U2 ports In non-OTG Host-only mode, internal bus filters are not needed. Values: 1'b0: Bus filter(s) enabled 1'b1: Bus filter(s) disabled (bypassed)

**USB GRF USB3OTG0 CON1**

Address: Operational Base + offset (0x001C)

Bit	Attr	Reset Value	Description
31:16	WO	0x0000	write_enable Write enable for lower 16bits, each bit is individual. 1'b0: Write access disable 1'b1: Write access enable
15:12	RW	0x1	usb3otg0_host_num_u3_port xHCI usb3 port number, default as 1
11:8	RW	0x1	usb3otg0_host_num_u2_port xHCI host USB2 Port number, default as 1
7	RW	0x0	usb3otg0_pipe_clk_sel usb3otg0_pipe3_rx_pclk/tx_pclk input source clock select 1'b0: Select clk_usb3otg0_pipe for source clock 1'b0: Select clk_usb3otg0_utmi for source clock
6	RO	0x0	reserved
5	RW	0x0	usb3otg0_host_legacy_smi_bar Use this register to support SMI on BAR defined in xHCI spec. SW must set this register, then clear this register to indicate Base Address Register written.
4	RW	0x0	usb3otg0_host_legacy_smi_pci_cmd Use this register to support SMI on PCI Command defined in xHCI spec. SW must set this register, then clear this register to indicate PCI command register written.
3:2	RW	0x0	usb3otg0_phystatus_con Grf controll usb pipe phystatus. 2'b00: Select phystatus form PHY. 2'b10: Select phystatus to 0.
1	RW	0x0	usb3otg0_pme_en Enable signal for the pme_generation. Enable the core to assert pme_generation.
0	RW	0x0	usb3otg0_host_u3_port_disable USB 3.0 SS Port Disable control. 1'b0: Port Enabled 1'b1: Port Disabled

**USB GRF USB3OTG0 STATUS LAT0**

Address: Operational Base + offset (0x0020)

Bit	Attr	Reset Value	Description
31:0	RO	0x00000000	usb3otg_logic_analyzer_trace0 Usb3otg_logic_analyzer_trace[31:0] bit status. Logic Analyzer Trace. These are internal design signals that you can use for debug purposes. Some of the signals are interface signals like PIPE, UTMI, ULPI, AXI, and AHB, and others are internal state machines and status information signals. During chip bring-up, to debug functional issues, you can probe the interface signals for additional visibility.

**USB GRF USB3OTG0 STATUS LAT1**

Address: Operational Base + offset (0x0024)

Bit	Attr	Reset Value	Description
31:0	RO	0x00000000	usb3otg_logic_analyzer_trace1 Usb3otg_logic_analyzer_trace[63:32] bit status Logic Analyzer Trace. These are internal design signals that you can use for debug purposes. Some of the signals are interface signals like PIPE, UTMI, ULPI, AXI, and AHB, and others are internal state machines and status information signals. During chip bring-up, to debug functional issues, you can probe the interface signals for additional visibility.

**USB GRF USB3OTG0 STATUS CB**

Address: Operational Base + offset (0x0028)

Bit	Attr	Reset Value	Description
31:12	RO	0x00000	reserved
11:0	RO	0x7e8	usb3otg_host_current_belt[11:0] Usb3otg_host_current_belt[11:0] bit status Current BELT Value. This signal indicates the minimum value of all received BELT values and the BELT that is set by the Set LTV command. This signal is valid only in Host mode.

**USB GRF USB3OTG0 STATUS**

Address: Operational Base + offset (0x002C)

Bit	Attr	Reset Value	Description
31:2	RO	0x00000000	reserved
1	RO	0x0	usb3otg0_pme_generation PME Generation. This signal is used to generate a PME (Power Management Event). When the Run/Stop bit of the USB Command Register is cleared during USB suspend mode, the core cannot generate an event and cannot assert a regular interrupt. In this case, the core asserts a pme_generation signal to report any wakeup condition if pme_en is high. If the system does not support PCI-like PME interface, then it must not clear the Run/Stop bit during USB suspend mode. In this case, the core generates an event and asserts an interrupt when there is any wakeup event.
0	RO	0x0	usb3otg0_host_sys_err Host System Error. This signal indicates that a Host System Error has occurred as reflected in the USBSTS.HSE field. This signal is asserted only if the USBCMD.HSEE field is set to '1'. It can occur when the host controller encounters an 'Error' response in the AHB, the AXI, or the Native Master Bus. When the USBSTS.HSE field is cleared by software, this signal is de-asserted unless the master continues to assert its bus error output. The typical software response to an HSE is to reset the core. For more details, refer to section 4.10.2.6 of the xHCI 1.0 specification.

**USB GRF USB3OTG1 CON0**

Address: Operational Base + offset (0x0030)

Bit	Attr	Reset Value	Description
31:16	WO	0x0000	write_enable Write enable for lower 16bits, each bit is individual. 1'b0: Write access disable 1'b1: Write access enable

Bit	Attr	Reset Value	Description
15	RW	0x0	usb3otg1_host_u2_port_disable USB2.0 Port Disable control. 1'b0: Port Enabled. 1'b1: Port Disabled When 1, this signal stops reporting connect/disconnect events the port and keeps the port in disabled state.
14	RW	0x0	usb3otg1_host_port_power_control_present This indicates whether the host controller implementation includes port power control. 1'b0: Indicates that the port does not have port power switches. 1'b1: Indicates that the port has port power switches.
13:8	RW	0x20	usb3otg1_fladj_30mhz_reg HS Jitter Adjustment. Indicates the correction required to accommodate mac3 clock and utmi clock jitter to measure 125 's duration. With fladj_30mhz_reg tied to zero, the high speed 125us micro-frame is counted for 123933ns. You must program the value in terms of high speed bit times in a 30 MHz cycle. The default value that must be driven is 32 (assuming 30 MHz perfect clock). Fladj_30mhz_reg connects to the FLADJ register defined in the xHCI spec in the PCI configuration space. Each count is equal to 16 high speed bit times. By default, when this register is set to 32, it gives a 125us interval. Now, based the clock accuracy you can decrement the count or increment the count to get the 125 us uSOF window. For non-PCI systems, it is recommended that this strap is connected to a register that can be controlled by software. This strap is used in device mode also. If device only mode is implemented, it is recommended to tie this input to 'd32.
7:6	RW	0x0	usb3otg1_hub_port_perm_attach Indicates if the device attached to a downstream port is permanently attached or not. 1'b0: Not permanently attached 1'b1: Permanently attached Bit0 is for USB2.0 port and bit1 are for USB 3.0 SS port.
5:4	RW	0x0	usb3otg1_hub_port_overcurrent This is the per port Overcurrent indication of the root-hub ports: 1'b0: No Overcurrent 1'b1: Overcurrent Bit0 is for USB 2.0 port and bit1 are for USB 3.0 SS port.
3:0	RW	0x0	usb3otg1_bus_filter_bypass It is expected that this signal is set or reset at power-on reset and is not changed during the normal operation of the core. The function of each bit is: bus_filter_bypass[3]: Bypass the filter for utmiotg_iddig bus_filter_bypass[2]: Bypass the filters for utmisrp_bvalid and utmisrp_sessend bus_filter_bypass[1]: Bypass the filter for pipe3_PowerPresent all U3 ports bus_filter_bypass[0]: Bypass the filter for utmiotg_vbusvalid all U2 ports In non-OTG Host-only mode, internal bus filters are not needed. Values: 1'b0: Bus filter(s) enabled 1'b1: Bus filter(s) disabled (bypassed)

**USB GRF USB3OTG1 CON1**

Address: Operational Base + offset (0x0034)

Bit	Attr	Reset Value	Description
31:16	WO	0x0000	write_enable Write enable for lower 16bits, each bit is individual. 1'b0: Write access disable 1'b1: Write access enable
15:12	RW	0x1	usb3otg1_host_num_u3_port xHCI usb3 port number, default as 1
11:8	RW	0x1	usb3otg1_host_num_u2_port xHCI host USB2 Port number, default as 1
7	RW	0x0	usb3otg1_pipe_clk_sel usb3otg1_pipe3_rx_pclk/tx_pclk input source clock select 1'b0: Select clk_usb3otg0_pipe for source clock 1'b0: Select clk_usb3otg0_utmi for source clock
6	RO	0x0	reserved
5	RW	0x0	usb3otg1_host_legacy_smi_bar Use this register to support SMI on BAR defined in xHCI spec. SW must set this register, then clear this register to indicate Base Address Register written.
4	RW	0x0	usb3otg1_host_legacy_smi_pci_cmd Use this register to support SMI on PCI Command defined in xHCI spec. SW must set this register, then clear this register to indicate PCI command register written.
3:2	RW	0x0	usb3otg1_phystatus_con Grf controll usb pipe phystatus. 2'b00: Select phystatus form phy. 2'b10: Select phystatus to 0.
1	RW	0x0	usb3otg1_pme_en Enable signal for the pme_generation. Enable the core to assert pme_generation.
0	RW	0x0	usb3otg1_host_u3_port_disable USB 3.0 SS Port Disable control. 1'b0: Port Enabled 1'b1: Port Disabled

**USB GRF USB3OTG1 STATUS LAT0**

Address: Operational Base + offset (0x0038)

Bit	Attr	Reset Value	Description
31:0	RO	0x00000000	usb3otg_logic_analyzer_trace0 Usb3otg_logic_analyzer_trace[31:0] bit status. Logic Analyzer Trace. These are internal design signals that you can use for debug purposes. Some of the signals are interface signals like PIPE, UTMI, ULPI, AXI, and AHB, and others are internal state machines and status information signals. During chip bring-up, to debug functional issues, you can probe the interface signals for additional visibility.

**USB GRF USB3OTG1 STATUS LAT1**

Address: Operational Base + offset (0x003C)

Bit	Attr	Reset Value	Description
31:0	RO	0x00000000	usb3otg_logic_analyzer_trace1 Usb3otg_logic_analyzer_trace[63:32] bit status Logic Analyzer Trace. These are internal design signals that you can use for debug purposes. Some of the signals are interface signals like PIPE, UTMI, ULPI, AXI, and AHB, and others are internal state machines and status information signals. During chip bring-up, to debug functional issues, you can probe the interface signals for additional visibility.

**USB GRF USB3OTG1 STATUS CB**

Address: Operational Base + offset (0x0040)

Bit	Attr	Reset Value	Description
31:12	RO	0x00000	reserved
11:0	RO	0x78e	usb3otg_host_current_belt[11:0] Usb3otg_host_current_belt[11:0] bit status Current BELT Value. This signal indicates the minimum value of all received BELT values and the BELT that is set by the Set LTV command. This signal is valid only in Host mode.

**USB GRF USB3OTG1 STATUS**

Address: Operational Base + offset (0x0044)

Bit	Attr	Reset Value	Description
31:2	RO	0x00000000	reserved
1	RO	0x0	usb3otg0_pme_generation PME Generation. This signal is used to generate a PME(Power Management Event). When the Run/Stop bit of the USB Command Register is cleared during USB suspend mode, the core cannot generate an event and cannot assert a regular interrupt. In this case, the core asserts a pme_generation signal to report any wakeup condition if pme_en is high. If the system does not support PCI-like PME interface, then it must not clear the Run/Stop bit during USB suspend mode. In this case, the core generates an event and asserts an interrupt when there is any wakeup event.
0	RO	0x0	usb3otg0_host_sys_err Host System Error. This signal indicates that a Host System Error has occurred as reflected in the USBSTS.HSE field. This signal is asserted only if the USBCMD.HSEE field is set to '1'. It can occur when the host controller encounters an 'Error' response in the AHB, the AXI, or the Native Master Bus. When the USBSTS.HSE field is cleared by software, this signal is de-asserted unless the master continues to assert its bus error output. The typical software response to an HSE is to reset the core. For more details, refer to section 4.10.2.6 of the xHCI 1.0 specification.

**USB GRF USB3OTG0 INTCON**

Address: Operational Base + offset (0x0048)

Bit	Attr	Reset Value	Description
31:16	WO	0x0000	write_enable Write enable for lower 16bits, each bit is individual. 1'b0: Write access disable 1'b1: Write access enable

Bit	Attr	Reset Value	Description
15:2	RO	0x0000	reserved
1	RW	0x0	usb3otg0_pme_generation_irq_en 1'b0: IRQ disable 1'b1: IRQ enable
0	RW	0x0	usb3otg0_host_sys_err_irq_en 1'b0: IRQ disable 1'b1: IRQ enable

**USB GRF USB3OTG1 INTCON**

Address: Operational Base + offset (0x004C)

Bit	Attr	Reset Value	Description
31:16	WO	0x0000	write_enable Write enable for lower 16bits, each bit is individual. 1'b0: Write access disable 1'b1: Write access enable
15:2	RO	0x0000	reserved
1	RW	0x0	usb3otg1_pme_generation_irq_en 1'b0: IRQ disable 1'b1: IRQ enable
0	RW	0x0	usb3otg1_host_sys_err_irq_en 1'b0: IRQ disable 1'b1: IRQ enable

**USB GRF GRF MEM CON0**

Address: Operational Base + offset (0x0050)

Bit	Attr	Reset Value	Description
31:17	RO	0x0000	reserved
16:0	RW	0x08010	mem_cfg_uhddprf bit 0: TEST1 bit 1: TEST_RNM bit 4~2: RM bit 5: WMDA bit 7: LS bit 16: TESTRWM

**USB GRF GRF MEM CON2**

Address: Operational Base + offset (0x0058)

Bit	Attr	Reset Value	Description
31:16	RO	0x0000	reserved
15:0	RW	0x1410	mem_cfg_hdsprf bit 0: TEST1 bit 1: TEST_RNM bit 4~2: RM bit 5: WMD bit 7: LS bit 11~10: WPULSE bit 13~12: RA

**6.17 PHP\_GRF Register Description**

**6.17.1 Registers Summary**

<b>Name</b>	<b>Offset</b>	<b>Size</b>	<b>Reset Value</b>	<b>Description</b>
<u>PHP GRF PHP CON0</u>	0x0000	W	0x00000820	PHP GRF control register0
<u>PHP GRF PHP CON1</u>	0x0004	W	0x00000000	PHP GRF control register1
<u>PHP GRF GMAC CON0</u>	0x0008	W	0x00000020	PHP GMAC GRF control register0
<u>PHP GRF SATA CON0</u>	0x0010	W	0x00000020	PHP SATA GRF PIPE interface control register1
<u>PHP GRF SATA CON1</u>	0x0014	W	0x00000020	PHP SATA GRF PIPE interface control register1
<u>PHP GRF SATA CON2</u>	0x0018	W	0x00000020	PHP SATA GRF PIPE interface control register2
<u>PHP GRF PHP MMU CON0</u>	0x001C	W	0x00000028	PHP MMU control register0
<u>PHP GRF PHP MMU CON1</u>	0x0020	W	0x0000000C	PHP MMU control register1
<u>PHP GRF PHP MMU CON2</u>	0x0024	W	0x00000000	PHP MMU control register2
<u>PHP GRF ITS TADDR0</u>	0x0028	W	0x0000FE65	PHP MMU GRF ITS target address0
<u>PHP GRF ITS TADDR1</u>	0x002C	W	0x0000FE67	PHP MMU GRF ITS target address1
<u>PHP GRF PCIE MMU PCI EMODE</u>	0x0030	W	0x00000003	PCIe MMU PCIe mode control
<u>PHP GRF PCIE MMU CON0</u>	0x0034	W	0x00000028	PCIe MMU control register0
<u>PHP GRF PCIE MMU CON1</u>	0x0038	W	0x0000001C	PCIe MMU control register1
<u>PHP GRF PCIE MMU CON2</u>	0x003C	W	0x0000001C	PCIe MMU control register2
<u>PHP MEM CON0</u>	0x0040	W	0x00110010	PHP memory configuration signal for hsdprf
<u>PHP GRF PHP ST0</u>	0x0044	W	0x00000000	PHP status register0
<u>PHP GRF PHP ST1</u>	0x0048	W	0x00000000	PHP status register1
<u>PHP GRF PHP ST2</u>	0x004C	W	0x00000000	PHP status register2
<u>PHP GRF PHP ST3</u>	0x0050	W	0x00000000	PHP status register3
<u>PHP GRF PHP ST4</u>	0x0054	W	0x00000000	PHP status register4
<u>PHP GRF MMU PMU ACK</u>	0x0058	W	0x00000000	MMU PMU acknowledge status
<u>PHP GRF PCIE MMU CON6</u>	0x005C	W	0x00000000	PCIe MMU control register6
<u>PHP GRF PCIE MMU CON7</u>	0x0060	W	0x00000000	PCIe MMU control register7
<u>PHP GRF MEM CON5</u>	0x0064	W	0x00008010	PHP memory configuration signal for uhdprf
<u>PHP GRF MEM CON10</u>	0x0068	W	0x00001410	PHP memory configuration signal for hdsprf
<u>PHP GRF CLK CON1</u>	0x0070	W	0x00000000	GMAC clk control register
<u>PHP GRF GMAC0 SID AW</u>	0x0074	W	0x00000000	GMAC0 SID control for AW channel
<u>PHP GRF GMAC0 SSID AW</u>	0x0078	W	0x00000000	GMAC1 SSID control for AW channel
<u>PHP GRF GMAC1 SID AW</u>	0x007C	W	0x00000000	GMAC1 SID control for AW channel
<u>PHP GRF GMAC1 SSID AW</u>	0x0080	W	0x00000000	GMAC1 SSID control for AW channel
<u>PHP GRF SATA0 SID AW</u>	0x0084	W	0x00000000	SATA0 SID control for AW channel



<b>Name</b>	<b>Offset</b>	<b>Size</b>	<b>Reset Value</b>	<b>Description</b>
PHP GRF SATA0 SSID A W	0x0088	W	0x00000000	SATA0 SSID control for AW channel
PHP GRF SATA1 SID AW	0x008C	W	0x00000000	SATA1 SID control for AW channel
PHP GRF SATA1 SSID A W	0x0090	W	0x00000000	SATA1 SSID control for AW channel
PHP GRF SATA2 SID AW	0x0094	W	0x00000000	SATA2 SID control for AW channel
PHP GRF SATA2 SSID A W	0x0098	W	0x00000000	SATA2 SSID control for AW channel
PHP GRF GMAC0 SID A R	0x009C	W	0x00000000	GMAC0 SID control for AR channel
PHP GRF GMAC0 SSID AR	0x00A0	W	0x00000000	GMAC0 SSID control for AR channel
PHP GRF GMAC1 SID A R	0x00A4	W	0x00000000	GMAC1 SID control for AR channel
PHP GRF GMAC1 SSID AR	0x00A8	W	0x00000000	GMAC1 SSID control for AR channel
PHP GRF SATA0 SID AR	0x00AC	W	0x00000000	SATA0 SID control for AR channel
PHP GRF SATA0 SSID A R	0x00B0	W	0x00000000	SATA0 SSID control for AR channel
PHP GRF SATA1 SID AR	0x00B4	W	0x00000000	SATA1 SID control for AR channel
PHP GRF SATA1 SSID A R	0x00B8	W	0x00000000	SATA1 SSID control for AR channel
PHP GRF SATA2 SID AR	0x00BC	W	0x00000000	SATA2 SID control for AR channel
PHP GRF SATA2 SSID A R	0x00C0	W	0x00000000	SATA2 SSID control for AR channel
PHP GRF USB3OTG 2 SID AR	0x00C4	W	0x00000000	USB3OTG_2 SID control for AR channel
PHP GRF USB3OTG 2 SID AR	0x00C8	W	0x00000000	USB3OTG_2 SID control for AR channel
PHP GRF USB3OTG 2 SID AW	0x00CC	W	0x00000000	USB3OTG_2 SID control for AW channel
PHP GRF USB3OTG 2 SSID AW	0x00D0	W	0x00000000	USB3OTG_2 SSID control for AW channel
PHP GRF GMAC CON PS T	0x00D4	W	0x00000000	GMAC media clock generation control
PHP GRF GMAC0 CMD	0x00D8	W	0x00000000	GMAC0 command
PHP GRF GMAC1 CMD	0x00DC	W	0x00000000	GMAC0 command
PHP GRF MEM CON11	0x00E0	W	0x00001410	PHP memory configuration signal for hdspra
PHP GRF USB3OTG 2 CON0	0x00E4	W	0x00002000	USB3OTG_0 control0
PHP GRF USB3OTG 2 CON1	0x00E8	W	0x00001100	USB3OTG_0 control1
PHP GRF USB3OTG 2 INTCON	0x00EC	W	0x00000000	USB3OTG_2 int control
PHP GRF USB3OTG 2 ST LAT0	0x00F0	W	0x00000000	USB3OTG_2 logic analyzer Trace low
PHP GRF USB3OTG 2 ST LAT1	0x00F4	W	0x00000000	USB3OTG_2 logic analyzer Trace high
PHP GRF USB3OTG 2 ST CB	0x00F8	W	0x0000078E	USB3OTG_2 current BELT value
PHP GRF USB3OTG 2 ST	0x00FC	W	0x00000000	USB3OTG_2 status
PHP GRF PCIESEL CON	0x0100	W	0x00000003	PCIe PHY interface select

<b>Name</b>	<b>Offset</b>	<b>Size</b>	<b>Reset Value</b>	<b>Description</b>
<u>PHP GRF UTMI CON</u>	0x0104	W	0x00000300	GRF control UTMI interface for USB3 only mode
<u>PHP GRF PCIE4L SID A W</u>	0x010C	W	0x00000000	GRF controller PCIE4L SID for AW channel
<u>PHP GRF PCIE4L SID AR</u>	0x0110	W	0x00000000	GRF controller PCIE4L SID for AR channel
<u>PHP GRF PCIE2L SID A W</u>	0x0114	W	0x00000000	GRF controller PCIE2L SID for AW channel
<u>PHP GRF PCIE2L SID AR</u>	0x0118	W	0x00000000	GRF controller PCIE2L SID for AR channel
<u>PHP GRF PCIE1L0 SID A W</u>	0x011C	W	0x00000000	GRF controller PCIE1L0 SID for AW channel
<u>PHP GRF PCIE1L0 SID AR</u>	0x0120	W	0x00000000	GRF controller PCIE1L0 SID for AR channel
<u>PHP GRF PCIE1L1 SID A W</u>	0x0124	W	0x00000000	GRF controller PCIE1L1 SID for AW channel
<u>PHP GRF PCIE1L1 SID AR</u>	0x0128	W	0x00000000	GRF controller PCIE1L1 SID for AR channel
<u>PHP GRF PCIE1L2 SID A W</u>	0x012C	W	0x00000000	GRF controller PCIE1L2 SID for AW channel
<u>PHP GRF PCIE1L2 SID AR</u>	0x0130	W	0x00000000	GRF controller PCIE1L2 SID for AR channel
<u>PHP GRF PCIE ATS</u>	0x0138	W	0x00000000	GRF control PCIE ATS
<u>PHP GRF ST UTMI</u>	0x013C	W	0x00000034	USB3OTG_2 UTMI interface status for usb3 only mode
<u>PHP GRF PCIE4L SSID A W</u>	0x0144	W	0x00000000	GRF controller PCIE4L SID for AW channel
<u>PHP GRF PCIE4L SSID AR</u>	0x0148	W	0x00000000	GRF controller PCIE4L SID for AR channel
<u>PHP GRF PCIE2L SSID A W</u>	0x014C	W	0x00000000	GRF controller PCIE2L SID for AW channel
<u>PHP GRF PCIE2L SSID AR</u>	0x0150	W	0x00000000	GRF controller PCIE2L SID for AR channel
<u>PHP GRF PCIE1L0 SSID AW</u>	0x0154	W	0x00000000	GRF controller PCIE1L0 SID for AW channel
<u>PHP GRF PCIE1L0 SSID AR</u>	0x0158	W	0x00000000	GRF controller PCIE1L1 SID for AW channel
<u>PHP GRF PCIE1L1 SSID AW</u>	0x015C	W	0x00000000	GRF controller PCIE1L1 SID for AW channel
<u>PHP GRF PCIE1L1 SSID AR</u>	0x0160	W	0x00000000	GRF controller PCIE1L1 SID for AR channel
<u>PHP GRF PCIE1L2 SSID AW</u>	0x0164	W	0x00000000	GRF controller PCIE1L2 SID for AW channel
<u>PHP GRF PCIE1L2 SSID AR</u>	0x0168	W	0x00000000	GRF controller PCIE1L2 SID for AR channel
<u>PHP GRF PCIE SSID V</u>	0x016C	W	0x00000000	GRF controller PCIE SSID_V
<u>PHP GRF SATA PD SEL</u>	0x0174	W	0x00000000	SATA pipe interface power down sel
<u>PHP PCIE MMU IRQ CLR</u>	0x0178	W	0x00000000	PCIE MMU interrupt clear
<u>PHP PHP MMU IRQ CLR</u>	0x017C	W	0x00000000	PHP MMU interrupt clear
<u>PHP PCIE MMU ST</u>	0x0180	W	0x00000000	PCIE MMU interrupt state
<u>PHP PHP MMU ST</u>	0x0184	W	0x00000000	PHP MMU interrupt state
<u>PHP PHP ST0B</u>	0x018C	W	0x00000000	PHP status register0b

Notes: **Size:** **B**- Byte (8 bits) access, **HW**- Half WORD (16 bits) access, **W**-WORD (32 bits) access, **DW**- Double WORD (64 bits) access

**6.17.2 Detail Registers Description**

**PHP GRF PHP CON0**

Address: Operational Base + offset (0x0000)

Bit	Attr	Reset Value	Description
31:16	WO	0x0000	write_enable Write enable for lower 16bits, each bit is individual. 1'b0: Write access disable 1'b1: Write access enable
15:14	RO	0x0	reserved
13	RW	0x0	pcie2_pclkreq_n Combo PHY2 CLKREQ control. Only when PCIe mode be set to comb PHY, this bit can be selected, otherwise this bit will not take effect. This will be selected with PCIe1l1 controller.
12	RW	0x0	pcie1_pclkreq_n Combo PHY1 CLKREQ control. Only when PCIe mode be set to comb PHY, this bit can be selected, otherwise this bit will not take effect. This will be selected with PCIe1l0 controller.
11	RW	0x1	sata1_phy_rx_err SATA1 phy_rx_err input control, before using set this bit to 1'b0.
10:9	RW	0x0	sata1_phy_spdmode SATA1 phy_spdmode input control 2'b00: 1.5Gb/s 2'b01: 3.0Gb/s 2'b10: 6.0Gb/s 2'b11: Reserved This should be set before using SATA.
8	RO	0x0	reserved
7	RW	0x0	sata0_phy_rx_err SATA0 phy_rx_err input control, before using set this bit to 1'b0.
6:5	RW	0x1	sata0_phy_spdmode SATA0 phy_spdmode input control 2'b00: 1.5Gb/s 2'b01: 3.0Gb/s 2'b10: 6.0Gb/s 2'b11: Reserved This should be set before using SATA.
4	RW	0x0	pcie1l2_link_rst_grt PCIe 1lane2 link reset grant control.
3	RW	0x0	pcie1l1_link_rst_grt PCIe 1lane1 link reset grant control.
2	RW	0x0	pcie1l0_link_rst_grt PCIe 1lane0 link reset grant control.
1	RW	0x0	pcie2l_link_rst_grt PCIe 2lane link reset grant control.
0	RW	0x0	pie4l_link_rst_grt PCIe 4lane link reset grant control.

**PHP GRF PHP CON1**

Address: Operational Base + offset (0x0004)

Bit	Attr	Reset Value	Description
31:16	WO	0x0000	write_enable Write enable for lower 16bits, each bit is individual. 1'b0: Write access disable 1'b1: Write access enable
15:3	RO	0x0000	reserved
2	RW	0x0	sata2_phy_rx_err SATA1 phy_rx_err input control, before using set this bit to 1'b0.
1:0	RW	0x0	sata2_phy_spdmode SATA2 phy_spdmode input control 2'b00: 1.5Gb/s 2'b01: 3.0Gb/s 2'b10: 6.0Gb/s 2'b11: Reserved This should be set before using SATA.

**PHP GRF GMAC CON0**

Address: Operational Base + offset (0x0008)

Bit	Attr	Reset Value	Description
31:16	WO	0x0000	write_enable Write enable for lower 16bits, each bit is individual. 1'b0: Write access disable 1'b1: Write access enable
15:12	RO	0x0	reserved
11:9	RW	0x0	gmac1_phy_intf_sel PHY Interface Select. 3'b000: GMII/MII 3'b001: RGMII 3'b100: RMII
8	RW	0x0	gmac1_ptp_aux_ts_trig Auxiliary Time Stamp Trigger. This signal is asserted to take an auxiliary snapshot of the time and store it in the auxiliary time stamp FIFO. A rising edge on this port is used to trigger the auxiliary snapshot.
7:6	RW	0x0	gmac1_sbd_flowctrl Sideband Flow Control. When set high, instructs the MAC to transmit Pause frames in Full-duplex mode. In half-duplex mode, the MAC enables the Back-pressure function until this signal is made low again.
5:3	RW	0x4	gmac0_phy_intf_sel PHY Interface Select. 3'b000: GMII/MII 3'b001: RGMII 3'b100: RMII
2	RW	0x0	gmac0_ptp_aux_ts_trig Auxiliary Time Stamp Trigger. This signal is asserted to take an auxiliary snapshot of the time and store it in the auxiliary time stamp FIFO. A rising edge on this port is used to trigger the auxiliary snapshot.
1:0	RW	0x0	gmac0_sbd_flowctrl Sideband Flow Control. When set high, instructs the MAC to transmit Pause frames in Full-duplex mode. In half-duplex mode, the MAC enables the Back-pressure function until this signal is made low again.

**PHP GRF SATA CON0**

Address: Operational Base + offset (0x0010)

Bit	Attr	Reset Value	Description
31:16	WO	0x0000	write_enable Write enable for lower 16bits, each bit is individual. 1'b0: Write access disable 1'b1: Write access enable
15	RW	0x0	sata0_txcommonmode_disable This is redundancy design used to control PHY pipe interface as supplement for controller. From PHY interface, this is form controller. More setting please refer to PHY GRF section. TX common mode disable
14	RW	0x0	sata0_exelecidle_disable This is redundancy design used to control PHY pipe interface as supplement for controller. From PHY interface, this is form controller. More setting please refer to PHY GRF section. TX output to electrical idle disable.
13:11	RW	0x0	sata0_txmargin This is redundancy design used to control PHY pipe interface as supplement for controller. From PHY interface, this is form controller. More setting please refer to PHY GRF section. TX_SWING and TX_MARGIN[2:0] are combined together to control TX output amplitude.
10:9	RW	0x0	sata0_txdeemph This is redundancy design used to control PHY pipe interface as supplement for controller. From PHY interface, this is form controller. More setting please refer to PHY GRF section. Transmitter de-emphasis level configuration.
8	RW	0x0	sata0_txswing This is redundancy design used to control PHY pipe interface as supplement for controller. From PHY interface, this is form controller. More setting please refer to PHY GRF section. PHY TX_SWING control When TX_SWING =1, transmitter is in low swing mode, the output amplitude can achieve 500mV,600mV,700mv,800mV,900mV,1000mV,1100mV and 1200mV, the 800mV to 1200mV output has no difference with the cases when TX_SWING =0.
7	RW	0x0	sata0_txoneszeros This is redundancy design used to control PHY pipe interface as supplement for controller. From PHY interface, this is form controller. More setting please refer to PHY GRF section. This signal is used in USB3.0 mode for transmitting compliance pattern CP7 and CP8. When set to high, it causes the transmitter to transmit an alternating sequence of 0s and 1s, regardless the states of TX_DATA. In PCIE and SATA mode, this signal should be tied to low.

Bit	Attr	Reset Value	Description
6	RW	0x0	<p>sata0_compliance</p> <p>This is redundancy design used to control PHY pipe interface as supplement for controller. From PHY interface, this is form controller. More setting please refer to PHY GRF section.</p> <p>This signal is used in PCIE mode only; in other application it should be tied to low.</p> <p>TX_COMPLIANCE become high will set the running disparity to negative.</p> <p>The lowest byte of 16bits transmitted data will be the byte that running disparity set to negative.</p> <p>When TX_COMPLIANCE and TX_ELECIDLE are both set to low, PHY IP is power down completely.</p>
5	RW	0x1	<p>sata0_rxtermination</p> <p>This is redundancy design used to control PHY pipe interface as supplement for controller. From PHY interface, this is form controller. More setting please refer to PHY GRF section.</p> <p>Connect/Remove of receiver termination resistor.</p> <p>1'b0: RX termination removed</p> <p>1'b1: RX termination connected</p> <p>This signal is used in USB3.0 mode only, in other application it should be tied to high.</p>
4	RW	0x0	<p>sata0_rxpolarity</p> <p>This is redundancy design used to control PHY pipe interface as supplement for controller. From PHY interface, this is form controller. More setting please refer to PHY GRF section.</p> <p>PHY RX polarity inversion control.</p> <p>When this signal set to high, it instructs a polarity inversion in RX_DATA.</p> <p>RX_POLAR applies to USB3.0 and PCIE mode only, in SATA mode it should be tied to low.</p>
3	RW	0x0	<p>sata0_rxeqtrain</p> <p>This is redundancy design used to control PHY pipe interface as supplement for controller. From PHY interface, this is form controller. More setting please refer to PHY GRF section.</p> <p>RX EQ training mode enable signal:</p> <p>This signal is used to instruct the receiver to bypass normal operation and perform equalization training. This signal is used in USB3.0 mode only, should be set to low in any other application.</p>
2	RO	0x0	reserved
1	RW	0x0	<p>sata0_encodedecodebypass</p> <p>This is redundancy design used to control PHY pipe interface as supplement for controller. From PHY interface, this is form controller. More setting please refer to PHY GRF section.</p> <p>Controls whether the PHY performs 8b/10b encode and decode.</p> <p>1'b0: 8b/10b encode/decode performed normally by the PHY.</p> <p>1'b1: 8b/10b encode/decode bypassed, 20bit 8b/10b encode/decode bypass mode works only when BUS_WIDTH=2b01.</p>
0	RW	0x0	<p>sata0_elasbuffermode</p> <p>This is redundancy design used to control PHY pipe interface as supplement for controller. From PHY interface, this is form controller. More setting please refer to PHY GRF section.</p> <p>1'b0: Nominal half-full buffer mode</p> <p>1'b1: Nominal empty buffer mode</p>

**PHP GRF SATA CON1**

Address: Operational Base + offset (0x0014)

Bit	Attr	Reset Value	Description
31:16	WO	0x0000	write_enable Write enable for lower 16bits, each bit is individual. 1'b0: Write access disable 1'b1: Write access enable
15	RW	0x0	sata1_txcommonmode_disable This is redundancy design used to control PHY pipe interface as supplement for controller. From PHY interface, this is form controller. More setting please refer to PHY GRF section. TX common mode disable
14	RW	0x0	sata1_exelecidle_disable This is redundancy design used to control PHY pipe interface as supplement for controller. From PHY interface, this is form controller. More setting please refer to PHY GRF section. TX output to electrical idle disable.
13:11	RW	0x0	sata1_txmargin This is redundancy design used to control PHY pipe interface as supplement for controller. From PHY interface, this is form controller. More setting please refer to PHY GRF section. TX_SWING and TX_MARGIN[2:0] are combined together to control TX output amplitude.
10:9	RW	0x0	sata1_txdeemph This is redundancy design used to control PHY pipe interface as supplement for controller. From PHY interface, this is form controller. More setting please refer to PHY GRF section. Transmitter de-emphasis level configuration.
8	RW	0x0	sata1_txswing This is redundancy design used to control PHY pipe interface as supplement for controller. From PHY interface, this is form controller. More setting please refer to PHY GRF section. PHY TX_SWING control When TX_SWING =1, transmitter is in low swing mode, the output amplitude can achieve 500mV,600mV,700mv,800mV,900mV,1000mV,1100mV and 1200mV, the 800mV to 1200mV output has no difference with the cases when TX_SWING =0.
7	RW	0x0	sata1_txoneszeros This is redundancy design used to control PHY pipe interface as supplement for controller. From PHY interface, this is form controller. More setting please refer to PHY GRF section. This signal is used in USB3.0 mode for transmitting compliance pattern CP7 and CP8. When set to high, it causes the transmitter to transmit an alternating sequence of 0s and 1s, regardless the states of TX_DATA. In PCIE and SATA mode, this signal should be tied to low.

Bit	Attr	Reset Value	Description
6	RW	0x0	<p>sata1_compliance This is redundancy design used to control PHY pipe interface as supplement for controller. From PHY interface, this is form controller. More setting please refer to PHY GRF section. This signal is used in PCIE mode only; in other application it should be tied to low. TX_COMPLIANCE become high will set the running disparity to negative. The lowest byte of 16bits transmitted data will be the byte that running disparity set to negative. When TX_COMPLIANCE and TX_ELECIDLE are both set to low, PHY IP is power down completely.</p>
5	RW	0x1	<p>sata1_rxtermination This is redundancy design used to control PHY pipe interface as supplement for controller. From PHY interface, this is form controller. More setting please refer to PHY GRF section. Connect/Remove of receiver termination resistor. 1'b0: RX termination removed 1'b1: RX termination connected This signal is used in USB3.0 mode only, in other application it should be tied to high.</p>
4	RW	0x0	<p>sata1_rxpolarity This is redundancy design used to control PHY pipe interface as supplement for controller. From PHY interface, this is form controller. More setting please refer to PHY GRF section. PHY RX polarity inversion control. When this signal set to high, it instructs a polarity inversion in RX_DATA. RX_POLAR applies to USB3.0 and PCIE mode only, in SATA mode it should be tied to low.</p>
3	RW	0x0	<p>sata1_rxeqtrain This is redundancy design used to control PHY pipe interface as supplement for controller. From PHY interface, this is form controller. More setting please refer to PHY GRF section. RX EQ training mode enable signal: This signal is used to instruct the receiver to bypass normal operation and perform equalization training. This signal is used in USB3.0 mode only, should be set to low in any other application.</p>
2	RO	0x0	reserved
1	RW	0x0	<p>sata1_encodedecodebypass This is redundancy design used to control PHY pipe interface as supplement for controller. From PHY interface, this is form controller. More setting please refer to PHY GRF section. Controls whether the PHY performs 8b/10b encode and decode. 1'b0: 8b/10b encode/decode performed normally by the PHY. 1'b1: 8b/10b encode/decode bypassed, 20bit 8b/10b encode/decode bypass mode works only when BUS_WIDTH=2b01.</p>
0	RW	0x0	<p>sata1_elasbuffermode This is redundancy design used to control PHY pipe interface as supplement for controller. From PHY interface, this is form controller. More setting please refer to PHY GRF section. 1'b0: Nominal half-full buffer mode 1'b1: Nominal empty buffer mode</p>



**PHP GRF SATA CON2**

Address: Operational Base + offset (0x0018)

Bit	Attr	Reset Value	Description
31:16	WO	0x0000	write_enable Write enable for lower 16bits, each bit is individual. 1'b0: Write access disable 1'b1: Write access enable
15	RW	0x0	sata2_txcommonmode_disable This is redundancy design used to control PHY pipe interface as supplement for controller. From PHY interface, this is form controller. More setting please refer to PHY GRF section. TX common mode disable.
14	RW	0x0	sata2_exeleidle_disable This is redundancy design used to control PHY pipe interface as supplement for controller. From PHY interface, this is form controller. More setting please refer to PHY GRF section. TX output to electrical idle disable.
13:11	RW	0x0	sata2_txmargin This is redundancy design used to control PHY pipe interface as supplement for controller. From PHY interface, this is form controller. More setting please refer to PHY GRF section. TX_SWING and TX_MARGIN[2:0] are combined together to control TX output amplitude.
10:9	RW	0x0	sata2_txdeemph This is redundancy design used to control PHY pipe interface as supplement for controller. From PHY interface, this is form controller. More setting please refer to PHY GRF section. Transmitter de-emphasis level configuration.
8	RW	0x0	sata2_txswing This is redundancy design used to control PHY pipe interface as supplement for controller. From PHY interface, this is form controller. More setting please refer to PHY GRF section. PHY TX_SWING control When TX_SWING =1, transmitter is in low swing mode, the output amplitude can achieve 500mV,600mV,700mv,800mV,900mV,1000mV,1100mV and 1200mV, the 800mV to 1200mV output has no difference with the cases when TX_SWING =0.
7	RW	0x0	sata2_txoneszeros This is redundancy design used to control PHY pipe interface as supplement for controller. From PHY interface, this is form controller. More setting please refer to PHY GRF section. This signal is used in USB3.0 mode for transmitting compliance pattern CP7 and CP8. When set to high, it causes the transmitter to transmit an alternating sequence of 0s and 1s, regardless the states of TX_DATA. In PCIE and SATA mode, this signal should be tied to low.

Bit	Attr	Reset Value	Description
6	RW	0x0	<p>sata2_compliance This is redundancy design used to control PHY pipe interface as supplement for controller. From PHY interface, this is form controller. More setting please refer to PHY GRF section. This signal is used in PCIE mode only; in other application it should be tied to low. TX_COMPLIANCE become high will set the running disparity to negative. The lowest byte of 16bits transmitted data will be the byte that running disparity set to negative. When TX_COMPLIANCE and TX_ELECIDLE are both set to low, PHY IP is power down completely.</p>
5	RW	0x1	<p>sata2_rxtermination This is redundancy design used to control PHY pipe interface as supplement for controller. From PHY interface, this is form controller. More setting please refer to PHY GRF section. Connect/Remove of receiver termination resistor. 1'b0: RX termination removed 1'b1: RX termination connected This signal is used in USB3.0 mode only, in other application it should be tied to high.</p>
4	RW	0x0	<p>sata2_rxpolarity This is redundancy design used to control PHY pipe interface as supplement for controller. From PHY interface, this is form controller. More setting please refer to PHY GRF section. PHY RX polarity inversion control. When this signal set to high, it instructs a polarity inversion in RX_DATA. RX_POLAR applies to USB3.0 and PCIE mode only, in SATA mode it should be tied to low.</p>
3	RW	0x0	<p>sata2_rxeqtrain This is redundancy design used to control PHY pipe interface as supplement for controller. From PHY interface, this is form controller. More setting please refer to PHY GRF section. RX EQ training mode enable signal: This signal is used to instruct the receiver to bypass normal operation and perform equalization training. This signal is used in USB3.0 mode only, should be set to low in any other application.</p>
2	RO	0x0	reserved
1	RW	0x0	<p>sata2_encodedecodebypass This is redundancy design used to control PHY pipe interface as supplement for controller. From PHY interface, this is form controller. More setting please refer to PHY GRF section. Controls whether the PHY performs 8b/10b encode and decode. 1'b0: 8b/10b encode/decode performed normally by the PHY. 1'b1: 8b/10b encode/decode bypassed, 20bit 8b/10b encode/decode bypass mode works only when BUS_WIDTH=2b01.</p>
0	RW	0x0	<p>sata2_elasbuffermode This is redundancy design used to control PHY pipe interface as supplement for controller. From PHY interface, this is form controller. More setting please refer to PHY GRF section. 1'b0: Nominal half-full buffer mode 1'b1: Nominal empty buffer mode</p>

**PHP GRF PHP MMU CON0**

Address: Operational Base + offset (0x001C)

Bit	Attr	Reset Value	Description
31:16	WO	0x0000	write_enable Write enable for lower 16bits, each bit is individual. 1'b0: Write access disable 1'b1: Write access enable
15:11	RO	0x00	reserved
10	RW	0x0	php_mmu600_tcu_pmusnapshot_req PMU snapshot request. The PMU snapshot occurs on the rising edge of pmusnapshot_req.
9:6	RW	0x0	php_mmu600_tcu_ecorevnum Tie this signal to 0 for normal use.
5:3	RW	0x5	php_mmu600_tcu_sup_oas Output address size supported. The encodings for this input are: 3'b000 32 bits. 3'b001 36 bits. 3'b010 40 bits. 3'b011 42 bits. 3'b100 44 bits. 3'b101 48 bits. You must not use other encodings, including 3'b110 defines to indicate 52-bit addresses. They are treated as 3'b101.
2	RW	0x0	php_mmu600_tcu_sup_sev This signal indicates whether the Send Event mechanism is supported. Tie HIGH when evento is connected.
1	RW	0x0	php_mmu600_tcu_sup_btm This signal indicates whether the Broadcast TLB Maintenance is supported. Tie HIGH when the TCU is connected to an interconnect that supports DVM.
0	RO	0x0	reserved

**PHP GRF PHP MMU CON1**

Address: Operational Base + offset (0x0020)

Bit	Attr	Reset Value	Description
31:16	WO	0x0000	write_enable Write enable for lower 16bits, each bit is individual. 1'b0: Write access disable 1'b1: Write access enable
15:11	RO	0x00	reserved
10:7	RW	0x0	php_mmu600_tbu_0_ecorevnum Tie this signal to 0 for normal use.

Bit	Attr	Reset Value	Description
6	RW	0x0	<p>php_mmu600_tbu_0_utlb_roundrobin                      Defines the Micro TLB entry replacement policy.                      When LOW, the Micro TLB uses a Pseudo Least Recently Used (PLRU) replacement policy. This policy typically provides the best average performance. However, when multiple translations are prefetched using a StashTranslation transaction, they might evict each other.                      When HIGH, the Micro TLB uses a round-robin replacement policy. With this policy, you can prefetch multiple translations using a StashTranslation transaction without evictions occurring, as long as the Micro TLB size is not exceeded.                      Tie this signal HIGH if a real-time upstream master prefetches translations and you want to avoid transactions evicting each other.                      Otherwise, tie this signal LOW.</p>
5:2	RW	0x3	<p>php_mmu600_tbu_0_max_tok_trans                      Indicates the number of DTI translation tokens to request when connecting to the TCU, minus 1.</p>
1	RW	0x0	<p>php_mmu600_tbu_0_cmo_disable                      Tie this signal HIGH to disable cache maintenance operations. When this signal is HIGH, the following transactions are always aborted with an SLVERR response:                      CleanInvalid.                      CleanShared.                      CleanSharedPersist.                      MakeInvalid.                      Cache maintenance operations can sometimes break the requirements of limited sideband channel communication, such as when a master component accesses protected content. You can disable cache maintenance operations in such cases. Cache maintenance operations are always disabled for ACE interfaces. This signal is therefore not present when the connected interface is configured as an ACE interface.</p>
0	RW	0x0	<p>php_mmu600_tbu_0_pmusnapshot_req                      PMU snapshot request. The PMU snapshot occurs on the rising edge of pmusnapshot_req.</p>

**PHP GRF PHP\_MMU\_CON2**

Address: Operational Base + offset (0x0024)

Bit	Attr	Reset Value	Description
31:16	WO	0x0000	<p>write_enable                      Write enable for lower 16bits, each bit is individual.                      1'b0: Write access disable                      1'b1: Write access enable</p>
15:8	RW	0x00	<p>php_mmu600_tbu_0_s_sid_high                      Provides the high-order StreamID bits for all transactions with a Secure StreamID that pass through the TBU.</p>
7:0	RW	0x00	<p>php_mmu600_tbu_0_ns_sid_high                      Provides the high-order StreamID bits for all transactions with a Non-secure StreamID that pass through the TBU.</p>

**PHP GRF ITS\_TADDR0**

Address: Operational Base + offset (0x0028)

Bit	Attr	Reset Value	Description
31:19	RO	0x0000	reserved

Bit	Attr	Reset Value	Description
18:0	RW	0x0fe65	grf_its_targer_address0 Modifies the address map to ensure only writes to the correct location trigger MSI requests. Only present when the bypass switch is configured. Specifies the 64K page address that includes the GITS_TRANSLATER register address, and is matched against axaddr[ADDR_WIDTH-1:16].

**PHP GRF ITS TADDR1**

Address: Operational Base + offset (0x002C)

Bit	Attr	Reset Value	Description
31:19	RO	0x0000	reserved
18:0	RW	0x0fe67	grf_its_targer_address1 Modifies the address map to ensure only writes to the correct location trigger MSI requests. Only present when the bypass switch is configured. Specifies the 64K page address that includes the GITS_TRANSLATER register address, and is matched against axaddr[ADDR_WIDTH-1:16].

**PHP GRF PCIE MMU PCIEMODE**

Address: Operational Base + offset (0x0030)

Bit	Attr	Reset Value	Description
31:16	WO	0x0000	write_enable Write enable for lower 16bits, each bit is individual. 1'b0: Write access disable 1'b1: Write access enable
15:2	RO	0x0000	reserved
1	RW	0x1	pcie_mmu_tbu1_pcie_mode You must tie this signal HIGH when the TBU is connected to a PCIe interface. When this signal is HIGH, the TBU behaves as if the PCIe 'No Snoop' property is applied to transactions downstream of the SMMU, as long as the PCIe interface outputs transactions with the following AXI memory types: 1. Normal Non-Cacheable Bufferable, when 'No Snoop' is set for the transaction. 2. Write-Back, when 'No Snoop' is not set for the transaction. This TBU behaviour is a requirement of the Arm Server Base System Architecture. If this signal is HIGH, the attributes of TBS interface transactions are always combined with the translation attributes, even if stage 1 translation is enabled. That is, the transaction attributes are always calculated as if the DTI_TBU_TRANS_RESP.STRW field is EL1-S2, regardless of the actual STRW value. If this signal is HIGH, the input attribute and shareability override information in the ATTR_OVR field of the DTI_TBU_TRANS_RESP message is ignored. For SMMUv3, PCIe masters do not support this feature.

Bit	Attr	Reset Value	Description
0	RW	0x1	<p>pcie_mmu_tbu0_pcie_mode</p> <p>You must tie this signal HIGH when the TBU is connected to a PCIe interface.</p> <p>When this signal is HIGH, the TBU behaves as if the PCIe 'No Snoop' property is applied to transactions downstream of the SMMU, as long as the PCIe interface outputs transactions with the following AXI memory types:</p> <ol style="list-style-type: none"> <li>1. Normal Non-Cacheable Bufferable, when 'No Snoop' is set for the transaction.</li> <li>2. Write-Back, when 'No Snoop' is not set for the transaction.</li> </ol> <p>This TBU behaviour is a requirement of the Arm Server Base System Architecture.</p> <p>If this signal is HIGH, the attributes of TBS interface transactions are always combined with the translation attributes, even if stage 1 translation is enabled. That is, the transaction attributes are always calculated as if the DTI_TBU_TRANS_RESP.STRW field is EL1-S2, regardless of the actual STRW value.</p> <p>If this signal is HIGH, the input attribute and shareability override information in the ATTR_OVR field of the DTI_TBU_TRANS_RESP message is ignored. For SMMUv3, PCIe masters do not support this feature.</p>

**PHP GRF PCIE MMU CON0**

Address: Operational Base + offset (0x0034)

Bit	Attr	Reset Value	Description
31:16	WO	0x0000	<p>write_enable</p> <p>Write enable for lower 16bits, each bit is individual.</p> <p>1'b0: Write access disable</p> <p>1'b1: Write access enable</p>
15:11	RO	0x00	reserved
10	RW	0x0	<p>pcie_mmu600_tcu_pmusnapshot_req</p> <p>PMU snapshot request. The PMU snapshot occurs on the rising edge of pmusnapshot_req.</p>
9:6	RW	0x0	<p>pcie_mmu600_tcu_ecorevnum</p> <p>Tie this signal to 0 unless directed otherwise by Arm.</p>
5:3	RW	0x5	<p>pcie_mmu600_tcu_sup_oas</p> <p>Output address size supported.</p> <p>The encodings for this input are:</p> <p>3'b000 32 bits.</p> <p>3'b001 36 bits.</p> <p>3'b010 40 bits.</p> <p>3'b011 42 bits.</p> <p>3'b100 44 bits.</p> <p>3'b101 48 bits.</p> <p>You must not use other encodings, including 3'b110 that SMMUv3.1 defines to indicate 52-bit addresses. They are treated as 3'b101</p>
2	RW	0x0	<p>pcie_mmu600_tcu_sup_sev</p> <p>This signal indicates whether the Send Event mechanism is supported. Tie HIGH when evento is connected.</p>
1	RW	0x0	<p>pcie_mmu600_tcu_sup_btm</p> <p>This signal indicates whether the Broadcast TLB Maintenance is supported. Tie HIGH when the TCU is connected to an interconnect that supports DVM</p>

Bit	Attr	Reset Value	Description
0	RW	0x0	pcie_mmu600_tcu_sup_cohacc This signal indicates whether the QTW interface is I/O-coherent. Tie HIGH when the TCU is connected to a coherent interconnect.

**PHP GRF PCIE MMU CON1**

Address: Operational Base + offset (0x0038)

Bit	Attr	Reset Value	Description
31:16	WO	0x0000	write_enable Write enable for lower 16bits, each bit is individual. 1'b0: Write access disable 1'b1: Write access enable
15:11	RO	0x00	reserved
10:7	RW	0x0	pcie_mmu600_tbu_0_ecorevnum Tie this signal to for normal use.
6	RW	0x0	pcie_mmu600_tbu_0_utlb_roundrobin Defines the Micro TLB entry replacement policy. When LOW, the Micro TLB uses a Pseudo Least Recently Used (PLRU) replacement policy. This policy typically provides the best average performance. However, when multiple translations are prefetched using a StashTranslation transaction, they might evict each other. When HIGH, the Micro TLB uses a round-robin replacement policy. With this policy, you can prefetch multiple translations using a StashTranslation transaction without evictions occurring, as long as the Micro TLB size is not exceeded. Tie this signal HIGH if a real-time upstream master prefetches translations and you want to avoid transactions evicting each other. Otherwise, tie this signal LOW.
5:2	RW	0x7	pcie_mmu600_tbu_0_max_tok_trans Indicates the number of DTI translation tokens to request when connecting to the TCU, minus 1.
1	RW	0x0	pcie_mmu600_tbu_0_cmo_disable Tie this signal HIGH to disable cache maintenance operations. When this signal is HIGH, the following transactions are always aborted with an SLVERR response: CleanInvalid. CleanShared. CleanSharedPersist. MakeInvalid. Cache maintenance operations can sometimes break the requirements of limited sideband channel communication, such as when a master component accesses protected content. You can disable cache maintenance operations in such cases. Cache maintenance operations are always disabled for ACE interfaces. This signal is therefore not present when the connected interface is configured as an ACE interface.
0	RW	0x0	pcie_mmu600_tbu_0_pmusnapshot_req PMU snapshot request. The PMU snapshot occurs on the rising edge of pmusnapshot_req

**PHP GRF PCIE MMU CON2**

Address: Operational Base + offset (0x003C)

Bit	Attr	Reset Value	Description
31:16	WO	0x0000	write_enable Write enable for lower 16bits, each bit is individual. 1'b0: Write access disable 1'b1: Write access enable
15:11	RO	0x00	reserved
10:7	RW	0x0	pcie_mmu600_tbu_1_ecorevnum Tie this signal to 0 unless directed otherwise by Arm.
6	RW	0x0	pcie_mmu600_tbu_1_utlb_roundrobin Defines the Micro TLB entry replacement policy. When LOW, the Micro TLB uses a Pseudo Least Recently Used (PLRU) replacement policy. This policy typically provides the best average performance. However, when multiple translations are prefetched using a StashTranslation transaction, they might evict each other. When HIGH, the Micro TLB uses a round-robin replacement policy. With this policy, you can prefetch multiple translations using a StashTranslation transaction without evictions occurring, as long as the Micro TLB size is not exceeded. Tie this signal HIGH if a real-time upstream master prefetches translations and you want to avoid transactions evicting each other. Otherwise, tie this signal LOW.
5:2	RW	0x7	pcie_mmu600_tbu_1_max_tok_trans Indicates the number of DTI translation tokens to request when connecting to the TCU, minus 1.
1	RW	0x0	pcie_mmu600_tbu_1_cmo_disable Tie this signal HIGH to disable cache maintenance operations. When this signal is HIGH, the following transactions are always aborted with an SLVERR response: CleanInvalid. CleanShared. CleanSharedPersist. MakeInvalid. Cache maintenance operations can sometimes break the requirements of limited sideband channel communication, such as when a master component accesses protected content. You can disable cache maintenance operations in such cases. Cache maintenance operations are always disabled for ACE interfaces. This signal is therefore not present when the connected interface is configured as an ACE interface.
0	RW	0x0	pcie_mmu600_tbu_1_pmusnapshot_req PMU snapshot request. The PMU snapshot occurs on the rising edge of pmusnapshot_req

**PHP MEM CON0**

Address: Operational Base + offset (0x0040)

Bit	Attr	Reset Value	Description
31:24	RO	0x00	reserved



Bit	Attr	Reset Value	Description
23:0	RW	0x110010	mem_cfg_hsdprf bit 0: TEST1A bit 1: TEST_RNMA bit 5~2: RMA bit 6: WMDA bit 8: LS bit 14~13: RA bit 17: TEST1B bit 21~18: RMB

**PHP GRF PHP ST0**

Address: Operational Base + offset (0x0044)

Bit	Attr	Reset Value	Description
31:5	RO	0x0000000	reserved
4	RO	0x0	gmac0_mcgr_dma_req_intr MCGR DMA Read Request Used to Request a Target Presentation time value for one of the comparator modules when the instance is running in recovery mode. In Media Clock generation mode, this I/O signal is held high indicating a valid Presentation time is captured and updated in MAC_PPS(i)_Target_Time_Seconds register. One or more DMA read requests can simultaneously active, it is up to the DMA logic to maintain priority. Bits have a 1-1 correspondence to the comparator instances (i.e. Bit-0 belongs to comparator 0, bit-1 belongs to comparator-1 and so on). Once set, will hold high and will be reset the cycle after receiving the mcgr_dma_ack for that comparator. Width of this IO changes with the configured number of PPS instances.
3:2	RO	0x0	gmac0_speed Mac Speed indication/status. 2'b00: 1000Mbps (GMII) 2'b01: 2500Mbps (GMII) 2'b10: 10Mbps (MII) 2'b11: 100Mbps (MII)
1	RO	0x0	gmac0_ptp_pps Pulse Per Second. This signal is high based on the PPS mode selected in the MAC_PPS_Control register. When PPS is programmed in Media Clock recovery Mode, this port indicates the recovered clock.
0	RO	0x0	gmac0_sdb_tx_clk_gating_ctrl LPI Tx Clock Gating Control. This signal is high after the MAC enters the Tx LPI (low power idle) mode. You can use this signal to control the Tx clock gating.

**PHP GRF PHP ST1**

Address: Operational Base + offset (0x0048)

Bit	Attr	Reset Value	Description
31:0	RO	0x00000000	gmac0_ptp_timestamp0 GMAC0 ptp timestamp[31:0] Reference Time Output. This bus provides the System Time output when it is generated internally.

**PHP GRF PHP ST2**

Address: Operational Base + offset (0x004C)

Bit	Attr	Reset Value	Description
31:0	RO	0x00000000	gmac0_ptp_timestamp1 GMAC0 ptp timestamp[63:32] Reference Time Output. This bus provides the System Time output when it is generated internally.

**PHP GRF PHP ST3**

Address: Operational Base + offset (0x0050)

Bit	Attr	Reset Value	Description
31:0	RO	0x00000000	gmac1_ptp_timestamp0 GMAC1 ptp timestamp[31:0] Reference Time Output. This bus provides the System Time output when it is generated internally.

**PHP GRF PHP ST4**

Address: Operational Base + offset (0x0054)

Bit	Attr	Reset Value	Description
31:0	RO	0x00000000	gmac1_ptp_timestamp1 GMAC1 ptp timestamp[63:32] Reference Time Output. This bus provides the System Time output when it is generated internally.

**PHP GRF MMU PMU ACK**

Address: Operational Base + offset (0x0058)

Bit	Attr	Reset Value	Description
31:5	RO	0x00000000	reserved
4	RO	0x0	pcie_mmu_tbu1_pmusnapshot_ack PMU snapshot acknowledge. The TBU uses this signal to acknowledge that the PMU snapshot has occurred. This signal is LOW after reset.
3	RO	0x0	pcie_mmu_tbu0_pmusnapshot_ack PMU snapshot acknowledge. The TBU uses this signal to acknowledge that the PMU snapshot has occurred. This signal is LOW after reset.
2	RO	0x0	pcie_mmu_tcu_pmusnapshot_ack PMU snapshot acknowledge. The TCU uses this signal to acknowledge that the PMU snapshot has occurred. This signal is LOW after reset.
1	RO	0x0	php_mmu_tbu_pmusnapshot_ack PMU snapshot acknowledge. The TBU uses this signal to acknowledge that the PMU snapshot has occurred. This signal is LOW after reset.
0	RO	0x0	php_mmu_tcu_pmusnapshot_ack PMU snapshot acknowledge. The TCU uses this signal to acknowledge that the PMU snapshot has occurred. This signal is LOW after reset.

**PHP GRF PCIE MMU CON6**

Address: Operational Base + offset (0x005C)

Bit	Attr	Reset Value	Description
31:16	WO	0x0000	write_enable Write enable for lower 16bits, each bit is individual. 1'b0: Write access disable 1'b1: Write access enable
15:8	RW	0x00	pcie_mmu_tbu0_s_sid Provides the high-order StreamID bits for all transactions with a Secure StreamID that pass through the TBU.
7:0	RW	0x00	pcie_mmu_tbu0_ns_sid Provides the high-order StreamID bits for all transactions with a Non-secure StreamID that pass through the TBU

**PHP GRF PCIE MMU CON7**

Address: Operational Base + offset (0x0060)

Bit	Attr	Reset Value	Description
31:16	WO	0x0000	write_enable Write enable for lower 16bits, each bit is individual. 1'b0: Write access disable 1'b1: Write access enable
15:8	RW	0x00	pcie_mmu_tbu1_s_sid Provides the high-order StreamID bits for all transactions with a Secure StreamID that pass through the TBU.
7:0	RW	0x00	pcie_mmu_tbu1_ns_sid Provides the high-order StreamID bits for all transactions with a Non-secure StreamID that pass through the TBU.

**PHP GRF MEM CON5**

Address: Operational Base + offset (0x0064)

Bit	Attr	Reset Value	Description
31:17	RO	0x0000	reserved
16:0	RW	0x08010	mem_cfg_uhddprf bit 0: TEST1 bit 1: TEST_RNM bit 4~2: RM bit 5: WMDA bit 7: LS bit 16: TESTRWM

**PHP GRF MEM CON10**

Address: Operational Base + offset (0x0068)

Bit	Attr	Reset Value	Description
31:16	RO	0x0000	reserved
15:0	RW	0x1410	mem_cfg_hdsprf bit 0: TEST1 bit 1: TEST_RNM bit 4~2: RM bit 5: WMD bit 7: LS bit 11~10: WPULSE bit 13~12: RA

**PHP GRF CLK CON1**

Address: Operational Base + offset (0x0070)

Bit	Attr	Reset Value	Description
31:16	WO	0x0000	write_enable Write enable for lower 16bits, each bit is individual. 1'b0: Write access disable 1'b1: Write access enable
15:10	RO	0x00	reserved
9	RW	0x0	io_clkssel_gmac1 GMAC1 tx clock select control. 1'b1: Select clock form cru. 1'b0: Select clock form io.
8:7	RW	0x0	mii_tx_clk_sel_gamc1 GMAC1 controller clock tx division select. In RMI mode: 2'b0: 25Mhz 2'b1: 2.5Mhz In RGMII mode: 2'b10: 2.5Mhz 2'b11: 25Mhz other: 125Mhz
6	RW	0x0	rmii_gate_en_gmac1 Clock gate enable for RMI clock. 1'b1: Gate RMI clk. 1'b0: Not gate RMI clk. This bit will gate RMI clk no matter if RMI mode set.
5	RW	0x0	rmii_mode_gmac1 GMAC1 RMI/RGMII mode control. 1'b1: RMI mode. 1'b0: RGMII mode.
4	RW	0x0	io_clkssel_gmac0 GMAC0 tx clock select control. 1'b1: Select clock form cru. 1'b0: Select clock form io.
3:2	RW	0x0	mii_tx_clk_sel_gamc0 GMAC0 controller clock tx division select. In RMI mode: 2'b0: 25Mhz 2'b1: 2.5Mhz In RGMII mode: 2'b10: 2.5Mhz 2'b11: 25Mhz other: 125Mhz
1	RW	0x0	rmii_gate_en_gmac0 Clock gate enable for RMI clock. 1'b1: Gate RMI clk. 1'b0: Not gate RMI clk. This bit will gate RMI clk no matter if RMI mode set.
0	RW	0x0	rmii_mode_gmac0 GMAC0 RMI/RGMII mode control. 1'b1: RMI mode. 1'b0: RGMII mode.

**PHP GRF GMAC0 SID AW**

Address: Operational Base + offset (0x0074)

Bit	Attr	Reset Value	Description
31:18	RO	0x0000	reserved

Bit	Attr	Reset Value	Description
17	RW	0x0	gmac0_aw_atst GAMC0 aw atst for MMU. This is used for PHP MMU.
16	RW	0x0	gmac0_aw_ssdiv GAMC0 aw ssdiv for MMU. This is used for PHP MMU.
15:0	RW	0x0000	gmac0_aw_sid GAMC0 aw sid for MMU. This is used for PHP MMU.

**PHP GRF GMAC0 SSID AW**

Address: Operational Base + offset (0x0078)

Bit	Attr	Reset Value	Description
31:20	RO	0x000	reserved
19:0	RW	0x00000	gmac0_aw_ssid GMAC0 aw ssid for MMU. This is used for PHP MMU.

**PHP GRF GMAC1 SID AW**

Address: Operational Base + offset (0x007C)

Bit	Attr	Reset Value	Description
31:18	RO	0x0000	reserved
17	RW	0x0	gmac1_aw_atst GMAC1 aw atst for MMU. This is used for PHP MMU.
16	RW	0x0	gmac1_aw_ssdiv GMAC1 aw ssdiv for MMU. This is used for PHP MMU.
15:0	RO	0x0000	reserved

**PHP GRF GMAC1 SSID AW**

Address: Operational Base + offset (0x0080)

Bit	Attr	Reset Value	Description
31:20	RO	0x000	reserved
19:0	RW	0x00000	gmac1_aw_ssid GMAC1 aw ssid for MMU. This is used for PHP MMU.

**PHP GRF SATA0 SID AW**

Address: Operational Base + offset (0x0084)

Bit	Attr	Reset Value	Description
31:18	RO	0x0000	reserved
17	RW	0x0	sata0_aw_atst SATA0 aw atst for MMU. This is used for PHP MMU.
16	RW	0x0	sata0_aw_ssdiv SATA0 aw ssdiv for MMU. This is used for PHP MMU.
15:0	RW	0x0000	sata0_aw_sid SATA0 aw sid for MMU. This is used for PHP MMU.

**PHP GRF SATA0 SSID AW**

Address: Operational Base + offset (0x0088)

Bit	Attr	Reset Value	Description
31:20	RO	0x000	reserved
19:0	RW	0x00000	sata0_aw_ssid SATA0 aw ssid for MMU. This is used for PHP MMU.

**PHP GRF SATA1 SID AW**

Address: Operational Base + offset (0x008C)

Bit	Attr	Reset Value	Description
31:18	RO	0x0000	reserved
17	RW	0x0	sata1_aw_atst SATA1 aw atst for MMU. This is used for PHP MMU.
16	RW	0x0	sata1_aw_ssdiv SATA1 aw ssdiv for MMU. This is used for PHP MMU.
15:0	RW	0x0000	sata1_aw_sid SATA0 aw sid for MMU. This is used for PHP MMU.

**PHP GRF SATA1 SSID AW**

Address: Operational Base + offset (0x0090)

Bit	Attr	Reset Value	Description
31:20	RO	0x000	reserved
19:0	RW	0x00000	sata1_aw_ssid SATA1 aw ssid for MMU. This is used for PHP MMU.

**PHP GRF SATA2 SID AW**

Address: Operational Base + offset (0x0094)

Bit	Attr	Reset Value	Description
31:18	RO	0x0000	reserved
17	RW	0x0	sata2_aw_atst SATA2 aw atst for MMU. This is used for PHP MMU.
16	RW	0x0	sata2_aw_ssdiv SATA2 aw ssdiv for MMU. This is used for PHP MMU.
15:0	RW	0x0000	sata2_aw_sid SATA2 aw sid for MMU. This is used for PHP MMU.

**PHP GRF SATA2 SSID AW**

Address: Operational Base + offset (0x0098)

Bit	Attr	Reset Value	Description
31:20	RO	0x000	reserved
19:0	RW	0x00000	sata2_aw_ssid SATA2 aw ssid for MMU. This is used for PHP MMU.

**PHP GRF GMAC0 SID AR**

Address: Operational Base + offset (0x009C)

Bit	Attr	Reset Value	Description
31:18	RO	0x0000	reserved

Bit	Attr	Reset Value	Description
17	RW	0x0	gmac0_ar_atst GMAC0 ar atst for MMU. This is used for PHP MMU.
16	RO	0x0	reserved
15:0	RW	0x0000	gmac0_ar_sid GMAC0 ar sid for MMU. This is used for PHP MMU.

**PHP GRF GMAC0 SSID AR**

Address: Operational Base + offset (0x00A0)

Bit	Attr	Reset Value	Description
31:20	RO	0x000	reserved
19:0	RW	0x00000	gmac0_ar_ssid GMAC0 ar ssid for MMU. This is used for PHP MMU.

**PHP GRF GMAC1 SID AR**

Address: Operational Base + offset (0x00A4)

Bit	Attr	Reset Value	Description
31:18	RO	0x0000	reserved
17	RW	0x0	gmac1_ar_atst GMAC1 ar atst for MMU. This is used for PHP MMU.
16	RW	0x0	gmac1_ar_ssdiv GMAC1 ar ssdiv for MMU. This is used for PHP MMU.
15:0	RW	0x0000	gmac1_ar_sid GMAC1 ar sid for MMU. This is used for PHP MMU.

**PHP GRF GMAC1 SSID AR**

Address: Operational Base + offset (0x00A8)

Bit	Attr	Reset Value	Description
31:20	RO	0x000	reserved
19:0	RW	0x00000	gmac1_ar_ssid GMAC1 ar ssid for MMU. This is used for PHP MMU.

**PHP GRF SATA0 SID AR**

Address: Operational Base + offset (0x00AC)

Bit	Attr	Reset Value	Description
31:18	RO	0x0000	reserved
17	RW	0x0	sata0_ar_atst SATA0 ar atst for MMU. This is used for PHP MMU.
16	RW	0x0	sata0_ar_ssdiv SATA0 ar ssdiv for MMU. This is used for PHP MMU.
15:0	RW	0x0000	sata0_ar_sid SATA0 ar sid for MMU. This is used for PHP MMU.

**PHP GRF SATA0 SSID AR**

Address: Operational Base + offset (0x00B0)

Bit	Attr	Reset Value	Description
31:20	RO	0x000	reserved
19:0	RW	0x00000	sata0_ar_ssid SATA0 ar ssid for MMU. This is used for PHP MMU.

**PHP GRF SATA1 SID AR**

Address: Operational Base + offset (0x00B4)

Bit	Attr	Reset Value	Description
31:18	RO	0x0000	reserved
17	RW	0x0	sata1_ar_atst SATA1 ar atst for MMU. This is used for PHP MMU.
16	RW	0x0	sata1_ar_ssdiv SATA1 ar ssdiv for MMU. This is used for PHP MMU.
15:0	RW	0x0000	sata1_ar_sid SATA1 ar sid for MMU. This is used for PHP MMU.

**PHP GRF SATA1 SSID AR**

Address: Operational Base + offset (0x00B8)

Bit	Attr	Reset Value	Description
31:20	RO	0x000	reserved
19:0	RW	0x00000	sata1_ar_ssid SATA1 ar ssid for MMU. This is used for PHP MMU.

**PHP GRF SATA2 SID AR**

Address: Operational Base + offset (0x00BC)

Bit	Attr	Reset Value	Description
31:18	RO	0x0000	reserved
17	RW	0x0	sata2_ar_atst SATA2 ar atst for MMU. This is used for PHP MMU.
16	RO	0x0	reserved
15:0	RW	0x0000	sata2_ar_sid SATA2 ar sid for MMU. This is used for PHP MMU.

**PHP GRF SATA2 SSID AR**

Address: Operational Base + offset (0x00C0)

Bit	Attr	Reset Value	Description
31:20	RO	0x000	reserved
19:0	RW	0x00000	sata2_ar_ssid SATA2 ar ssid for MMU. This is used for PHP MMU.

**PHP GRF USB30TG 2 SID AR**

Address: Operational Base + offset (0x00C4)

Bit	Attr	Reset Value	Description
31:18	RO	0x0000	reserved
17	RW	0x0	usb3otg_2_ar_atst USB30TG_2 ar atst for MMU. This is used for PHP MMU.



Bit	Attr	Reset Value	Description
16	RW	0x0	usb3otg_2_ar_ssdiv USB3OTG_2 ar ssdiv for MMU. This is used for PHP MMU.
15:0	RW	0x0000	usb3otg_2_ar_sid USB3OTG_2 ar sid for MMU. This is used for PHP MMU.

**PHP GRF USB3OTG 2 SSID AR**

Address: Operational Base + offset (0x00C8)

Bit	Attr	Reset Value	Description
31:20	RO	0x000	reserved
19:0	RW	0x00000	usb3otg_2_ar_ssid USB3OTG_2 ar ssid for MMU. This is used for PHP MMU.

**PHP GRF USB3OTG 2 SID AW**

Address: Operational Base + offset (0x00CC)

Bit	Attr	Reset Value	Description
31:18	RO	0x0000	reserved
17	RW	0x0	usb3otg_2_aw_atst USB3OTG_2 aw atst for MMU. This is used for PHP MMU.
16	RW	0x0	usb3otg_2_aw_ssdiv USB3OTG_2 aw ssdiv for MMU. This is used for PHP MMU.
15:0	RW	0x0000	usb3otg_2_aw_sid USB3OTG_2 aw sid for MMU. This is used for PHP MMU.

**PHP GRF USB3OTG 2 SSID AW**

Address: Operational Base + offset (0x00D0)

Bit	Attr	Reset Value	Description
31:20	RO	0x000	reserved
19:0	RW	0x00000	usb3otg_2_aw_ssid USB3OTG_2 aw ssid for MMU. This is used for PHP MMU.

**PHP GRF GMAC CON PST**

Address: Operational Base + offset (0x00D4)

Bit	Attr	Reset Value	Description
31:16	WO	0x0000	write_enable Write enable for lower 16bits, each bit is individual. 1'b0: Write access disable 1'b1: Write access enable
15:4	RO	0x000	reserved
3	RW	0x0	mcg_pst_trig_sel_gmac1 Select mcg_pst_trig from IO or GRF (mcg_pst_trig_gmac1). 1'b1: From IO. 1'b0: From GRF.
2	RW	0x0	mcg_pst_trig_gmac1 Grf control GMAC1 media clock generation tigger input.

Bit	Attr	Reset Value	Description
1	RW	0x0	mcg_pst_trig_sel_gmac0 Select mcg_pst_trig from IO or GRF (mcg_pst_trig_gmac0). 1'b1: From IO. 1'b0: From GRF.
0	RW	0x0	mcg_pst_trig_gmac0 Grf control GMAC0 media clock generation trigger input.

**PHP GRF GMAC0 CMD**

Address: Operational Base + offset (0x00D8)

Bit	Attr	Reset Value	Description
31:16	WO	0x0000	write_enable Write enable for lower 16bits, each bit is individual. 1'b0: Write access disable 1'b1: Write access enable
15:1	RO	0x0000	reserved
0	RW	0x0	gmac0_mcgr_dma_ack_cmd If write this be written to 1, a pulse will be set to GMAC0.

**PHP GRF GMAC1 CMD**

Address: Operational Base + offset (0x00DC)

Bit	Attr	Reset Value	Description
31:16	WO	0x0000	write_enable Write enable for lower 16bits, each bit is individual. 1'b0: Write access disable 1'b1: Write access enable
15:1	RO	0x0000	reserved
0	RW	0x0	gmac1_mcgr_dma_ack_cmd If write this be written to 1, a pulse will be set to GMAC1.

**PHP GRF MEM CON11**

Address: Operational Base + offset (0x00E0)

Bit	Attr	Reset Value	Description
31:16	RO	0x0000	reserved
15:0	RW	0x1410	mem_cfg_hdspra bit 0: TEST1 bit 1: TEST_RNM bit 4~2: RM bit 5: WMD bit 7: LS bit 11~10: WPULSE bit 13~12: RA

**PHP GRF USB30TG 2 CON0**

Address: Operational Base + offset (0x00E4)

Bit	Attr	Reset Value	Description
31:16	WO	0x0000	write_enable Write enable for lower 16bits, each bit is individual. 1'b0: Write access disable 1'b1: Write access enable
15	RW	0x0	usb3otg_host_u2_port_disable USB2.0 Port Disable control. 1'b0: Port Enabled 1'b1: Port Disabled When 1, this signal stops reporting connect/disconnect events the port and keeps the port in disabled state

Bit	Attr	Reset Value	Description
14	RW	0x0	usb3otg_host_port_power_control_present This indicates whether the host controller implementation includes port power control. 1'b0: Indicates that the port does not have port power switches 1'b1: Indicates that the port has port power switches
13:8	RW	0x20	usb3otg_fladj_30mhz_reg HS Jitter Adjustment. Indicates the correction required to accommodate mac3 clock and utmi clock jitter to measure 125 's duration. With fladj_30mhz_reg tied to zero, the high speed 125us micro-frame is counted for 123933ns. You must program the value in terms of high speed bit times in a 30 MHz cycle. The default value that must be driven is 32 (assuming 30 MHz perfect clock). Fladj_30mhz_reg connects to the FLADJ register defined in the xHCI spec in the PCI configuration space. Each count is equal to 16 high speed bit times. By default, when this register is set to 32, it gives a 125us interval. Now, based the clock accuracy you can decrement the count or increment the count to get the 125 us uSOF window. For non-PCI systems, it is recommended that this strap is connected to a register that can be controlled by software. This strap is used in device mode also. If device only mode is implemented, it is recommended to tie this input to 'd32.
7:6	RW	0x0	usb3otg_hub_port_perm_attach Indicates if the device attached to a downstream port is permanently attached or not. 1'b0: Not permanently attached 1'b1: Permanently attached Bit0 is for USB2.0 port and bit1 are for USB 3.0 SS port
5:4	RW	0x0	usb3otg_hub_port_overcurrent This is the per port Overcurrent indication of the root-hub ports: 1'b0: No Overcurrent 1'b1: Overcurrent Bit0 is for USB 2.0 port and bit1 are for USB 3.0 SS port
3:0	RW	0x0	usb3otg_bus_filter_bypass It is expected that this signal is set or reset at power-on reset and is not changed during the normal operation of the core. The function of each bit is: bus_filter_bypass[3]: Bypass the filter for utmiotg_iddig bus_filter_bypass[2]: Bypass the filters for utmisrp_bvalid and utmisrp_sessend bus_filter_bypass[1]: Bypass the filter for pipe3_PowerPresent all U3 ports bus_filter_bypass[0]: Bypass the filter for utmiotg_vbusvalid all U2 ports In non-OTG Host-only mode, internal bus filters are not needed. Values: 1'b0: Bus filter(s) enabled 1'b1: Bus filter(s) disabled (bypassed)

**PHP GRF USB3OTG 2 CON1**

Address: Operational Base + offset (0x00E8)

Bit	Attr	Reset Value	Description
31:16	WO	0x0000	write_enable Write enable for lower 16bits, each bit is individual. 1'b0: Write access disable 1'b1: Write access enable
15:13	RO	0x0	reserved
12	RW	0x1	usb3otg1_host_num_u3_port xHCI usb3 port number, default as 1
11:8	RW	0x1	usb3otg1_host_num_u2_port xHCI host USB2 Port number, default as 1
7	RW	0x0	usb3otg1_pipe_clk_sel usb3otg1_pipe3_rx_pclk/tx_pclk input source clk select 1'b0: Select clk_usb3otg0_pipe for source clk 1'b1: Select clk_usb3otg0_utmi for source clk
6	RO	0x0	reserved
5	RW	0x0	usb3otg1_host_legacy_smi_bar Use this register to support SMI on BAR defined in xHCI spec. SW must set this register, then clear this register to indicate Base Address Register written
4	RW	0x0	usb3otg1_host_legacy_smi_pci_cmd Use this register to support SMI on PCI Command defined in xHCI spec. SW must set this register, then clear this register to indicate PCI command register written.
3:2	RW	0x0	usb3otg1_pipe_rate Not used.
1	RW	0x0	usb3otg1_pme_en Enable signal for the pme_generation. Enable the core to assert pme_generation.
0	RW	0x0	usb3otg1_host_u3_port_disable USB 3.0 SS Port Disable control. 1'b0: Port Enabled 1'b1: Port Disabled

**PHP GRF USB3OTG 2 INTCON**

Address: Operational Base + offset (0x00EC)

Bit	Attr	Reset Value	Description
31:16	WO	0x0000	write_enable Write enable for lower 16bits, each bit is individual. 1'b0: Write access disable 1'b1: Write access enable
15:2	RO	0x0000	reserved
1	RW	0x0	usb3_pme_gen_inten 1'b0: IRQ disable 1'b1: IRQ enable
0	RW	0x0	usb_host_sys_err_en 1'b0: IRQ disable 1'b1: IRQ enable

**PHP GRF USB3OTG 2 ST LAT0**

Address: Operational Base + offset (0x00F0)

Bit	Attr	Reset Value	Description
31:0	RO	0x00000000	usb3otg_logic_analyzer_trace0 Usb3otg_logic_analyzer_trace[31:0] bit status. Logic Analyzer Trace. These are internal design signals that you can use for debug purposes. Some of the signals are interface signals like PIPE, UTMI, ULPI, AXI, and AHB, and others are internal state machines and status information signals. During chip bring-up, to debug functional issues, you can probe the interface signals for additional visibility.

**PHP GRF USB30TG 2 ST LAT1**

Address: Operational Base + offset (0x00F4)

Bit	Attr	Reset Value	Description
31:0	RO	0x00000000	usb3otg_logic_analyzer_trace0 Usb3otg_logic_analyzer_trace[63:32] bit status. Logic Analyzer Trace. These are internal design signals that you can use for debug purposes. Some of the signals are interface signals like PIPE, UTMI, ULPI, AXI, and AHB, and others are internal state machines and status information signals. During chip bring-up, to debug functional issues, you can probe the interface signals for additional visibility.

**PHP GRF USB30TG 2 ST CB**

Address: Operational Base + offset (0x00F8)

Bit	Attr	Reset Value	Description
31:12	RO	0x000000	reserved
11:0	RO	0x78e	usb3otg_host_current_belt Usb3otg_host_current_belt[11:0] bit status Current BELT Value. This signal indicates the minimum value of all received BELT values and the BELT that is set by the Set LTV command. This signal is valid only in Host mode.

**PHP GRF USB30TG 2 ST**

Address: Operational Base + offset (0x00FC)

Bit	Attr	Reset Value	Description
31:2	RO	0x00000000	reserved
1	RO	0x0	usb3otg_pme_generation PME Generation. This signal is used to generate a PME (Power Management Event). When the Run/Stop bit of the USB Command Register is cleared during USB suspend mode, the core cannot generate an event and cannot assert a regular interrupt. In this case, the core asserts a pme_generation signal to report any wakeup condition if pme_en is high. If the system does not support PCI-like PME interface, then it must not clear the Run/Stop bit during USB suspend mode. In this case, the core generates an event and asserts an interrupt when there is any wakeup event.

Bit	Attr	Reset Value	Description
0	RO	0x0	usb3otg_host_sys_err Host System Error. This signal indicates that a Host System Error has occurred as reflected in the USBSTS.HSE field. This signal is asserted only if the USBCMD.HSEE field is set to '1'. It can occur when the host controller encounters an 'Error' response in the AHB, the AXI, or the Native Master Bus. When the USBSTS.HSE field is cleared by software, this signal is de-asserted unless the master continues to assert its bus error output. The typical software response to an HSE is to reset the core. For more details, refer to section 4.10.2.6 of the xHCI 1.0 specification.

**PHP GRF PCIESEL CON**

Address: Operational Base + offset (0x0100)

Bit	Attr	Reset Value	Description
31:16	WO	0x0000	write_enable Write enable for lower 16bits, each bit is individual. 1'b0: Write access disable 1'b1: Write access enable
15:2	RO	0x0000	reserved
1	RW	0x1	pcie1l1_sel Select the signal form PHY to PCIe1l1 1'b0: Select comb PHY 1'b1: Select PCIE3 PHY
0	RW	0x1	pcie1l0_sel Select the signal form PHY to PCIe1l0 1'b0: Select comb PHY 1'b1: Select PCIE3 PHY

**PHP GRF UTMI CON**

Address: Operational Base + offset (0x0104)

Bit	Attr	Reset Value	Description
31:16	WO	0x0000	write_enable Write enable for lower 16bits, each bit is individual. 1'b0: Write access disable 1'b1: Write access enable
15:10	RO	0x00	reserved
9	RW	0x1	utmi_bvalid GRF control utmi bvalid.
8	RW	0x1	utmi_vbusvalid GRF control utmi vbus valid.
7	RW	0x0	utmi_txready GRF control utmi txready.
6	RW	0x0	utmi_rxvalidh GRF control utmi rxvalidh.
5	RW	0x0	utmi_rxvalid GRF control utmi rxvalid.
4	RW	0x0	utmi_rxerror GRF control utmi rxerror.
3	RW	0x0	utmi_rxactive GRF control rxactive.
2:1	RW	0x0	utmi_linestate GRF control utmi linestate.
0	RW	0x0	utmi_hostdisconnect GRF control utmi hostdisconnect for usb3otg.

**PHP GRF PCIE4L SID AW**

Address: Operational Base + offset (0x010C)

Bit	Attr	Reset Value	Description
31:16	RO	0x0000	reserved
15:0	RW	0x0000	grf_pcie4l_sid_aw GRF control PCIe sid for aw channel. This will be select with PCIe controller output, please refer to SGRF and PCIe section.

**PHP GRF PCIE4L SID AR**

Address: Operational Base + offset (0x0110)

Bit	Attr	Reset Value	Description
31:16	RO	0x0000	reserved
15:0	RW	0x0000	grf_pcie4l_sid_ar GRF control PCIe sid for ar channel. This will be select with PCIe controller output, please refer to SGRF and PCIe section.

**PHP GRF PCIE2L SID AW**

Address: Operational Base + offset (0x0114)

Bit	Attr	Reset Value	Description
31:16	RO	0x0000	reserved
15:0	RW	0x0000	grf_pcie2l_sid_aw GRF control PCIe sid for aw channel. This will be select with PCIe controller output, please refer to SGRF and PCIe section.

**PHP GRF PCIE2L SID AR**

Address: Operational Base + offset (0x0118)

Bit	Attr	Reset Value	Description
31:16	RO	0x0000	reserved
15:0	RW	0x0000	grf_pcie2l_sid_ar GRF control PCIe sid for ar channel. This will be select with PCIe controller output, please refer to SGRF and PCIe section.

**PHP GRF PCIE1L0 SID AW**

Address: Operational Base + offset (0x011C)

Bit	Attr	Reset Value	Description
31:16	RO	0x0000	reserved
15:0	RW	0x0000	grf_pcie1l0_sid_aw GRF control PCIe sid for aw channel. This will be select with PCIe controller output, please refer to SGRF and PCIe section.

**PHP GRF PCIE1L0 SID AR**

Address: Operational Base + offset (0x0120)

Bit	Attr	Reset Value	Description
31:16	RO	0x0000	reserved
15:0	RW	0x0000	grf_pcie1l0_sid_ar GRF control PCIe sid for ar channel. This will be select with PCIe controller output, please refer to SGRF and PCIe section.

**PHP GRF PCIE1L1 SID AW**

Address: Operational Base + offset (0x0124)

Bit	Attr	Reset Value	Description
31:16	RO	0x0000	reserved
15:0	RW	0x0000	grf_pcie1l1_sid_aw GRF control PCIe sid for aw channel. This will be select with PCIe controller output, please refer to SGRF and PCIe section.

**PHP GRF PCIE1L1 SID AR**

Address: Operational Base + offset (0x0128)

Bit	Attr	Reset Value	Description
31:16	RO	0x0000	reserved
15:0	RW	0x0000	grf_pcie1l1_sid_ar GRF control PCIe sid for ar channel. This will be select with PCIe controller output, please refer to SGRF and PCIe section.

**PHP GRF PCIE1L2 SID AW**

Address: Operational Base + offset (0x012C)

Bit	Attr	Reset Value	Description
31:16	RO	0x0000	reserved
15:0	RW	0x0000	grf_pcie1l2_sid_aw GRF control PCIe sid for aw channel. This will be select with PCIe controller output, please refer to SGRF and PCIe section.

**PHP GRF PCIE1L2 SID AR**

Address: Operational Base + offset (0x0130)

Bit	Attr	Reset Value	Description
31:16	RO	0x0000	reserved
15:0	RW	0x0000	grf_pcie1l2_sid_ar GRF control PCIe sid for ar channel. This will be select with PCIe controller output, please refer to SGRF and PCIe section.

**PHP GRF PCIE ATS**

Address: Operational Base + offset (0x0138)

Bit	Attr	Reset Value	Description
31:16	WO	0x0000	write_enable Write enable for lower 16bits, each bit is individual. 1'b0: Write access disable 1'b1: Write access enable
15:10	RO	0x00	reserved
9	RW	0x0	grf_pcie1l2_ar_ats GRF controller PCIe ats for ar channel. This will be select with PCIe controller output, please refer to SGRF and PCIe section.
8	RW	0x0	grf_pcie1l1_ar_ats GRF controller PCIe ats for ar channel. This will be select with PCIe controller output, please refer to SGRF and PCIe section.



Bit	Attr	Reset Value	Description
7	RW	0x0	grf_pcie1l0_ar_ats GRF controller PCIe ats for ar channel. This will be select with PCIe controller output, please refer to SGRF and PCIe section.
6	RW	0x0	grf_pcie2l_ar_ats GRF controller PCIe ats for ar channel. This will be select with PCIe controller output, please refer to SGRF and PCIe section.
5	RW	0x0	grf_pcie4l_ar_ats GRF controller PCIe ats for ar channel. This will be select with PCIe controller output, please refer to SGRF and PCIe section.
4	RW	0x0	grf_pcie1l2_aw_ats GRF controller PCIe ats for aw channel. This will be select with PCIe controller output, please refer to SGRF and PCIe section.
3	RW	0x0	grf_pcie1l1_aw_ats GRF controller PCIe ats for aw channel. This will be select with PCIe controller output, please refer to SGRF and PCIe section.
2	RW	0x0	grf_pcie1l0_aw_ats GRF controller PCIe ats for aw channel. This will be select with PCIe controller output, please refer to SGRF and PCIe section.
1	RW	0x0	grf_pcie2l_aw_ats GRF controller PCIe ats for aw channel. This will be select with PCIe controller output, please refer to SGRF and PCIe section.
0	RW	0x0	grf_pcie4l_aw_ats GRF controller PCIe ats for aw channel. This will be select with PCIe controller output, please refer to SGRF and PCIe section.

**PHP GRF ST UTMI**

Address: Operational Base + offset (0x013C)

Bit	Attr	Reset Value	Description
31:7	RO	0x0000000	reserved
6	RO	0x0	grf_utmi_l1_suspend_com_n Status for utmi_l1_suspend_com_n.
5	RO	0x1	grf_utmi_l1_suspend_n Status for utmi_l1_suspend_n.
4	RO	0x1	grf_utmi_sleep_n Status for utmi_sleep_n.
3	RO	0x0	grf_utmi_suspend_com_n Status for utmi_suspend_com_n.
2	RO	0x1	grf_utmi_suspend_n Status for utmi_suspend_n.
1	RO	0x0	grf_utmi_dmpulldown Status for utmi dmpulldown.
0	RO	0x0	grf_utmi_dppulldown Status for utmi dppulldown.

**PHP GRF PCIE4L SSID AW**

Address: Operational Base + offset (0x0144)

Bit	Attr	Reset Value	Description
31:20	RO	0x000	reserved
19:0	RW	0x00000	grf_pcei4l_ssid_aw GRF controller PCIe ssid for aw channel. This will be select with PCIe controller output, please refer to SGRF and PCIe section.

**PHP GRF PCIE4L SSID AR**

Address: Operational Base + offset (0x0148)

Bit	Attr	Reset Value	Description
31:20	RO	0x000	reserved
19:0	RW	0x00000	grf_pcei4l_ssid_ar GRF controller PCIe ssid for ar channel. This will be select with PCIe controller output, please refer to SGRF and PCIe section.

**PHP GRF PCIE2L SSID AW**

Address: Operational Base + offset (0x014C)

Bit	Attr	Reset Value	Description
31:20	RO	0x000	reserved
19:0	RW	0x00000	grf_pcei2l_ssid_aw GRF controller PCIe ssid for aw channel. This will be select with PCIe controller output, please refer to SGRF and PCIe section.

**PHP GRF PCIE2L SSID AR**

Address: Operational Base + offset (0x0150)

Bit	Attr	Reset Value	Description
31:20	RO	0x000	reserved
19:0	RW	0x00000	grf_pcei2l_ssid_ar GRF controller PCIe ssid for ar channel. This will be select with PCIe controller output, please refer to SGRF and PCIe section.

**PHP GRF PCIE1L0 SSID AW**

Address: Operational Base + offset (0x0154)

Bit	Attr	Reset Value	Description
31:20	RO	0x000	reserved
19:0	RW	0x00000	grf_pcei1l0_ssid_aw GRF controller PCIe ssid for aw channel. This will be select with PCIe controller output, please refer to SGRF and PCIe section.

**PHP GRF PCIE1L0 SSID AR**

Address: Operational Base + offset (0x0158)

Bit	Attr	Reset Value	Description
31:20	RO	0x000	reserved
19:0	RW	0x00000	grf_pcei1l0_ssid_ar GRF controller PCIe ssid for ar channel. This will be select with PCIe controller output, please refer to SGRF and PCIe section.

**PHP GRF PCIE1L1 SSID AW**

Address: Operational Base + offset (0x015C)

Bit	Attr	Reset Value	Description
31:20	RO	0x000	reserved
19:0	RW	0x00000	grf_pcie111_ssid_aw GRF controller PCIe ssid for aw channel. This will be select with PCIe controller output, please refer to SGRF and PCIe section.

**PHP GRF PCIE1L1 SSID AR**

Address: Operational Base + offset (0x0160)

Bit	Attr	Reset Value	Description
31:20	RO	0x000	reserved
19:0	RW	0x00000	grf_pcie111_ssid_ar GRF controller PCIe ssid for ar channel. This will be select with PCIe controller output, please refer to SGRF and PCIe section.

**PHP GRF PCIE1L2 SSID AW**

Address: Operational Base + offset (0x0164)

Bit	Attr	Reset Value	Description
31:20	RO	0x000	reserved
19:0	RW	0x00000	grf_pcie112_ssid_aw GRF controller PCIe ssid for aw channel. This will be select with PCIe controller output, please refer to SGRF and PCIe section.

**PHP GRF PCIE1L2 SSID AR**

Address: Operational Base + offset (0x0168)

Bit	Attr	Reset Value	Description
31:20	RO	0x000	reserved
19:0	RW	0x00000	grf_pcie112_ssid_ar GRF controller PCIe ssid for ar channel. This will be select with PCIe controller output, please refer to SGRF and PCIe section.

**PHP GRF PCIE SSID V**

Address: Operational Base + offset (0x016C)

Bit	Attr	Reset Value	Description
31:16	WO	0x0000	write_enable Write enable for lower 16bits, each bit is individual. 1'b0: Write access disable 1'b1: Write access enable
15:10	RO	0x00	reserved
9	RW	0x0	grf_pcie112_arssid_v GRF control PCIe ssid valid for ar channel. This will be select with PCIe controller output, please refer to SGRF and PCIe section.
8	RW	0x0	grf_pcie111_arssid_v GRF control PCIe ssid valid for ar channel. This will be select with PCIe controller output, please refer to SGRF and PCIe section.
7	RW	0x0	grf_pcie110_arssid_v GRF control PCIe ssid valid for ar channel. This will be select with PCIe controller output, please refer to SGRF and PCIe section.

Bit	Attr	Reset Value	Description
6	RW	0x0	grf_pcie2l_arssid_v GRF control PCIe ssid valid for ar channel. This will be select with PCIe controller output, please refer to SGRF and PCIe section.
5	RW	0x0	grf_pcie4l_arssid_v GRF control PCIe ssid valid for ar channel. This will be select with PCIe controller output, please refer to SGRF and PCIe section.
4	RW	0x0	grf_pcie1l2_awssid_v GRF control PCIe ssid valid for aw channel. This will be select with PCIe controller output, please refer to SGRF and PCIe section.
3	RW	0x0	grf_pcie1l1_awssid_v GRF control PCIe ssid valid for aw channel. This will be select with PCIe controller output, please refer to SGRF and PCIe section.
2	RW	0x0	grf_pcie1l0_awssid_v GRF control PCIe ssid valid for aw channel. This will be select with PCIe controller output, please refer to SGRF and PCIe section.
1	RW	0x0	grf_pcie2l_awssid_v GRF control PCIe ssid valid for aw channel. This will be select with PCIe controller output, please refer to SGRF and PCIe section.
0	RW	0x0	grf_pcie4l_awssid_v GRF control PCIe ssid valid for aw channel. This will be select with PCIe controller output, please refer to SGRF and PCIe section.

**PHP GRF SATA PD SEL**

Address: Operational Base + offset (0x0174)

Bit	Attr	Reset Value	Description
31:16	WO	0x0000	write_enable Write enable for lower 16bits, each bit is individual. 1'b0: Write access disable 1'b1: Write access enable
15:6	RO	0x000	reserved
5	RW	0x0	sata2_pd_sel1 Select SATA2 powerdown to PHY when powerdown is 4'd1. 1'b1: Powerdown to PHY is 4'd1. 1'b0: Powerdown to PHY is 4'd3.
4	RW	0x0	sata2_pd_sel0 Select SATA2 powerdown to PHY when powerdown is 4'd1. 1'b1: Powerdown to PHY is 4'd1. 1'b0: Powerdown to PHY is 4'd3.
3	RW	0x0	sata1_pd_sel1 Select SATA1 powerdown to PHY when powerdown is 4'd2. 1'b1: Powerdown to PHY is 4'd5. 1'b0: Powerdown to PHY is 4'd7.
2	RW	0x0	sata1_pd_sel0 Select SATA1 powerdown to PHY when powerdown is 4'd1. 1'b1: Powerdown to PHY is 4'd1. 1'b0: Powerdown to PHY is 4'd3.

Bit	Attr	Reset Value	Description
1	RW	0x0	sata0_pd_sel1 Select SATA0 powerdown to PHY when powerdown is 4'd2. 1'b1: Powerdown to PHY is 4'd5. 1'b0: Powerdown to PHY is 4'd7.
0	RW	0x0	sata0_pd_sel0 Select SATA0 powerdown to PHY when powerdown is 4'd1. 1'b1: Powerdown to PHY is 4'd1. 1'b0: Powerdown to PHY is 4'd3.

**PHP PCIE MMU IRQ CLR**

Address: Operational Base + offset (0x0178)

Bit	Attr	Reset Value	Description
31:16	WO	0x0000	write_enable Write enable for lower 16bits, each bit is individual. 1'b0: Write access disable 1'b1: Write access enable
15:14	RO	0x0	reserved
13	RW	0x0	clr_irq_pcie_mmu600_r2_tbu0_pmu_irpt Clear irq_pcie_mmu600_r2_tbu0_pmu_irpt. Write 1'b1 to clear then comes to 1'b0.
12	RW	0x0	clr_irq_pcie_mmu600_r2_tbu0_ras_irpt Clear irq_pcie_mmu600_r2_tbu0_ras_irpt. Write 1'b1 to clear then comes to 1'b0.
11	RW	0x0	clr_irq_pcie_mmu600_r2_tbu1_pmu_irpt Clear irq_pcie_mmu600_r2_tbu1_pmu_irpt. Write 1'b1 to clear then comes to 1'b0.
10	RW	0x0	clr_irq_pcie_mmu600_r2_tbu1_ras_irpt Clear irq_pcie_mmu600_r2_tbu1_ras_irpt. Write 1'b1 to clear then comes to 1'b0.
9	RW	0x0	clr_irq_pcie_mmu600_r2_tcu_cmd_sync_irpt_ns Clear irq_pcie_mmu600_r2_tcu_cmd_sync_irpt_ns. Write 1'b1 to clear then comes to 1'b0.
8	RW	0x0	clr_irq_pcie_mmu600_r2_tcu_cmd_sync_irpt_s Clear irq_pcie_mmu600_r2_tcu_cmd_sync_irpt_s. Write 1'b1 to clear then comes to 1'b0.
7	RW	0x0	clr_irq_pcie_mmu600_r2_tcu_event_q_irpt_ns Clear irq_pcie_mmu600_r2_tcu_event_q_irpt_ns. Write 1'b1 to clear then comes to 1'b0.
6	RW	0x0	clr_irq_pcie_mmu600_r2_tcu_event_q_irpt_s Clear irq_pcie_mmu600_r2_tcu_event_q_irpt_s. Write 1'b1 to clear then comes to 1'b0.
5	RW	0x0	clr_irq_pcie_mmu600_r2_tcu_pcie_evento Clear irq_pcie_mmu600_r2_tcu_pcie_evento. Write 1'b1 to clear then comes to 1'b0.
4	RW	0x0	clr_irq_pcie_mmu600_r2_tcu_global_irpt_ns Clear irq_pcie_mmu600_r2_tcu_global_irpt_ns. Write 1'b1 to clear then comes to 1'b0.
3	RW	0x0	clr_irq_pcie_mmu600_r2_tcu_global_irpt_s Clear irq_pcie_mmu600_r2_tcu_global_irpt_s. Write 1'b1 to clear then comes to 1'b0.
2	RW	0x0	clr_irq_pcie_mmu600_r2_tcu_pmu_pcie_irp Clear irq_pcie_mmu600_r2_tcu_pmu_php_irp. Write 1'b1 to clear then comes to 1'b0.

Bit	Attr	Reset Value	Description
1	RW	0x0	clr_irq_pcie_mmu600_r2_tcu_pri_q_irpt_ns Clear irq_pcie_mmu600_r2_tcu_pri_q_irpt_ns. Write 1'b1 to clear then comes to 1'b0.
0	R/W SC	0x0	clr_irq_pcie_mmu600_r2_tcu_ras_irp Clear irq_pcie_mmu600_r2_tcu_ras_irp. Write 1'b1 to clear then comes to 1'b0.

**PHP PHP MMU IRQ CLR**

Address: Operational Base + offset (0x017C)

Bit	Attr	Reset Value	Description
31:16	WO	0x0000	write_enable Write enable for lower 16bits, each bit is individual. 1'b0: Write access disable 1'b1: Write access enable
15:14	RO	0x0	reserved
13	RW	0x0	clr_irq_pcie_mmu600_r2_tbu1_pmu_irpt Clear irq_pcie_mmu600_r2_tbu0_pmu_irpt. Write 1'b1 to clear then comes to 1'b0.
12	RW	0x0	clr_irq_pcie_mmu600_r2_tbu0_ras_irpt Clear irq_pcie_mmu600_r2_tbu0_ras_irpt. Write 1'b1 to clear then comes to 1'b0.
11:10	RO	0x0	reserved
9	RW	0x0	clr_irq_pcie_mmu600_r2_tcu_cmd_sync_irpt_ns Clear irq_pcie_mmu600_r2_tcu_cmd_sync_irpt_ns. Write 1'b1 to clear then comes to 1'b0.
8	RW	0x0	clr_irq_pcie_mmu600_r2_tcu_cmd_sync_irpt_s Clear irq_pcie_mmu600_r2_tcu_cmd_sync_irpt_s. Write 1'b1 to clear then comes to 1'b0.
7	RW	0x0	clr_irq_pcie_mmu600_r2_tcu_event_q_irpt_ns Clear irq_pcie_mmu600_r2_tcu_event_q_irpt_ns. Write 1'b1 to clear then comes to 1'b0.
6	RW	0x0	clr_irq_pcie_mmu600_r2_tcu_event_q_irpt_s Clear irq_pcie_mmu600_r2_tcu_event_q_irpt_s. Write 1'b1 to clear then comes to 1'b0.
5	RW	0x0	clr_irq_pcie_mmu600_r2_tcu_php_evento Clear irq_pcie_mmu600_r2_tcu_php_evento. Write 1'b1 to clear then comes to 1'b0.
4	RW	0x0	clr_irq_pcie_mmu600_r2_tcu_global_irpt_ns Clear irq_pcie_mmu600_r2_tcu_global_irpt_ns. Write 1'b1 to clear then comes to 1'b0.
3	RW	0x0	clr_irq_pcie_mmu600_r2_tcu_global_irpt_s Clear irq_pcie_mmu600_r2_tcu_global_irpt_s. Write 1'b1 to clear then comes to 1'b0.
2	RW	0x0	clr_irq_pcie_mmu600_r2_tcu_pmu_php_irp Clear irq_pcie_mmu600_r2_tcu_pmu_php_irp. Write 1'b1 to clear then comes to 1'b0.
1	RW	0x0	clr_irq_pcie_mmu600_r2_tcu_pri_q_irpt_ns Clear irq_pcie_mmu600_r2_tcu_pri_q_irpt_ns. Write 1'b1 to clear then comes to 1'b0.
0	R/W SC	0x0	clr_irq_pcie_mmu600_r2_tcu_ras_irp Clear irq_pcie_mmu600_r2_tcu_ras_irp. Write 1'b1 to clear then comes to 1'b0.

**PHP PCIE MMU ST**

Address: Operational Base + offset (0x0180)

Bit	Attr	Reset Value	Description
31:14	RO	0x00000	reserved
13	RO	0x0	st_pcie_mmu600_r2_tbu0_pmu_irpt PMU interrupt.
12	RO	0x0	st_pcie_mmu600_r2_tbu0_ras_irpt RAS interrupt.
11	RO	0x0	st_pcie_mmu600_r2_tbu1_pmu_irpt PMU interrupt.
10	RO	0x0	st_pcie_mmu600_r2_tbu1_ras_irpt RAS interrupt.
9	RO	0x0	st_pcie_mmu600_r2_tcu_cmd_sync_irpt_ns SYNC complete, Non-secure interrupt. Asserts a Non-secure interrupt to indicate that the CMD_SYNC command is complete.
8	RO	0x0	st_pcie_mmu600_r2_tcu_cmd_sync_irpt_s SYNC complete, Secure interrupt. Asserts a Secure interrupt to indicate that the CMD_SYNC command is complete.
7	RO	0x0	st_pcie_mmu600_r2_tcu_event_q_irpt_ns Event queue, Non-secure interrupt. Asserts a Non-secure interrupt to indicate that the Event queue is not empty or has overflowed.
6	RO	0x0	st_pcie_mmu600_r2_tcu_event_q_irpt_s Event queue, Secure interrupt. Asserts a Secure interrupt to indicate that the Event queue is not empty or has overflowed.
5	RO	0x0	st_pcie_mmu600_r2_tcu_pcie_evento Event output for connection to processors. This signal is asserted for one cycle to indicate an event that enables processors to wake up from WFE low-power state.
4	RO	0x0	st_pcie_mmu600_r2_tcu_global_irpt_ns Asserts a global Non-secure interrupt.
3	RO	0x0	st_pcie_mmu600_r2_tcu_global_irpt_s Asserts a global Secure interrupt.
2	RO	0x0	st_pcie_mmu600_r2_tcu_pmu_pcie_irp Asserts a PMU interrupt.
1	RO	0x0	st_pcie_mmu600_r2_tcu_pri_q_irpt_ns Asserts a Page Request Interface (PRI) queue interrupt.
0	RO	0x0	st_pcie_mmu600_r2_tcu_ras_irp Asserts a Reliability, Availability, and Serviceability (RAS) interrupt.

**PHP PHP MMU ST**

Address: Operational Base + offset (0x0184)

Bit	Attr	Reset Value	Description
31:14	RO	0x00000	reserved
13	RO	0x0	st_pcie_mmu600_r2_tbu0_pmu_irpt PMU interrupt.
12	RO	0x0	st_pcie_mmu600_r2_tbu0_ras_irpt RAS interrupt.
11:10	RO	0x0	reserved
9	RO	0x0	st_pcie_mmu600_r2_tcu_cmd_sync_irpt_ns SYNC complete, Non-secure interrupt. Asserts a Non-secure interrupt to indicate that the CMD_SYNC command is complete.
8	RO	0x0	st_pcie_mmu600_r2_tcu_cmd_sync_irpt_s SYNC complete, Secure interrupt. Asserts a Secure interrupt to indicate that the CMD_SYNC command is complete.

Bit	Attr	Reset Value	Description
7	RO	0x0	st_pcie_mmu600_r2_tcu_event_q_irpt_ns Event queue, Non-secure interrupt. Asserts a Non-secure interrupt to indicate that the Event queue is not empty or has overflowed.
6	RO	0x0	st_pcie_mmu600_r2_tcu_event_q_irpt_s Event queue, Secure interrupt. Asserts a Secure interrupt to indicate that the Event queue is not empty or has overflowed.
5	RO	0x0	st_pcie_mmu600_r2_tcu_php_evento Event output for connection to processors. This signal is asserted for one cycle to indicate an event that enables processors to wake up from WFE low-power state.
4	RO	0x0	st_pcie_mmu600_r2_tcu_global_irpt_ns Asserts a global Non-secure interrupt.
3	RO	0x0	st_pcie_mmu600_r2_tcu_global_irpt_s Asserts a global Secure interrupt.
2	RO	0x0	st_pcie_mmu600_r2_tcu_pmu_php_irp Asserts a PMU interrupt.
1	RO	0x0	st_pcie_mmu600_r2_tcu_pri_q_irpt_ns Asserts a Page Request Interface (PRI) queue interrupt.
0	RO	0x0	st_pcie_mmu600_r2_tcu_ras_irp Asserts a Reliability, Availability, and Serviceability (RAS) interrupt.

**PHP PHP STOB**

Address: Operational Base + offset (0x018C)

Bit	Attr	Reset Value	Description
31:5	RO	0x0000000	reserved
4	RO	0x0	gmac1_mcgr_dma_req_intr MCGR DMA Read Request Used to Request a Target Presentation time value for one of the comparator modules when the instance is running in recovery mode. In Media Clock generation mode, this I/O signal is held high indicating a valid Presentation time is captured and updated in MAC_PPS(i)_Target_Time_Seconds register. One or more DMA read requests can simultaneously active, it is up to the DMA logic to maintain priority. Bits have a 1-1 correspondence to the comparator instances (i.e. Bit-0 belongs to comparator 0, bit-1 belongs to comparator-1 and so on). Once set, will hold high and will be reset the cycle after receiving the mcgr_dma_ack for that comparator. Width of this IO changes with the configured number of PPS instances.
3:2	RO	0x0	gmac1_speed Mac Speed indication/status. 2'b00:1000Mbps (GMII) 2'b01:2500Mbps (GMII) 2'b10:10Mbps (MII) 2'b11:100Mbps (MII)
1	RO	0x0	gmac1_ptp_pps Pulse Per Second. This signal is high based on the PPS mode selected in the MAC_PPS_Control register. When PPS is programmed in Media Clock recovery Mode, this port indicates the recovered clock.



Bit	Attr	Reset Value	Description
0	RO	0x0	gmac1_sdb_tx_clk_gating_ctrl LPI Tx Clock Gating Control. This signal is high after the MAC enters the Tx LPI (low power idle) mode. You can use this signal to control the Tx clock gating.

## 6.18 CSIDPHY\_GRF Register Description

There are two CSIDPHY\_GRF modules in RK3588.They have different base address.

### 6.18.1 Registers Summary

Name	Offset	Size	Reset Value	Description
CSIDPHY_GRF_CON0	0x0000	W	0x00000000	CSIDPHY Control Register
CSIDPHY_GRF_STATUS0	0x0080	W	0x00000000	CSIDPHY Status Register

Notes:*Size*:**B**- Byte (8 bits) access, **HW**- Half WORD (16 bits) access, **W**-WORD (32 bits) access, **DW**- Double WORD (64 bits) access

### 6.18.2 Detail Registers Description

#### CSIDPHY\_GRF\_CON0

Address: Operational Base + offset (0x0000)

Bit	Attr	Reset Value	Description
31:16	WO	0x0000	write_enable Write enable for lower 16bits, each bit is individual 1'b0: Write access disable 1'b1: Write access enable
15:12	RO	0x0	reserved
11	RW	0x0	csidphy_clk_1_inv Invert CSIDPHY clock lane1 rxbyte clock 1'b1: Invert CSIDPHY clock lane 1 rxbyte_clk_hs 1'b0: Do not invert CSIDPHY clock lane 1 rxbyte_clk_hs
10	RW	0x0	csidphy_enable_ck_1 CSIDPHY Clock Lane 1 enable signal Active State: High
9	RW	0x0	csidphy_clk_0_inv Invert CSIDPHY rxbyte clock 1'b1: Invert CSIDPHY rxbyte_clk_hs 1'b0: Do not invert CSIDPHY rxbyte_clk_hs
8	RW	0x0	csidphy_enable_ck_0 CSIDPHY Clock Lane enable signal Active State: High
7:4	RW	0x0	csidphy_enable_dat CSIDPHY enable lane module This active high signal forces the Lane Module out of "shutdown". All line drivers, receivers, terminators, and connection detectors are turned off when Enable is low. Enable is a level sensitive signal and does not depend on any clock.
3:0	RW	0x0	csidphy_forcerxmode CSIDPHY force receive mode Force Lane Module Into Receive mode / Wait for Stop state.This signal allows the protocol to initialize a Lane Module, or force a bi-directional Lane Module, into receive mode.

#### CSIDPHY\_GRF\_STATUS0

Address: Operational Base + offset (0x0080)

Bit	Attr	Reset Value	Description
31:19	RO	0x0000	reserved
18	RO	0x0	s_ulpsactivenotclk_1_raw ULP State (not) Active 1 status This active low signal is asserted to indicate that the Lane is in ULP state.
17	RO	0x0	s_ulpsactivenotclk_raw ULP State (not) Active status This active low signal is asserted to indicate that the Lane is in ULP state.
16:9	RO	0x00	errcontentionlp LP Contention Error This active high signal is asserted when the Lane Module detects a contention situation on a line while trying to drive the line low.
8:5	RO	0x0	rxskewcalhs High-Speed Receive Skew Calibration This optional active high signal indicates that the high speed deskew burst is being received. RxSkewCalHS is set to the active state when the all-ones sync pattern is received, and is cleared to the inactive state when Dp and Dn transition back to the LP-11 Stop State.
4	RO	0x0	direction This signal is used to indicate the current direction of the Lane interconnects. When pin_direction =0, the Lane is in transmit mode. When pin_direction =1, the Lane is in receive mode.
3:0	RO	0x0	ulpsactivenot ULP State (not) Active. This active low signal is asserted to indicate that the Lane is in ULP state.

## 6.19 PCIe3PHY\_GRF Register Description

### 6.19.1 Registers Summary

Name	Offset	Size	Reset Value	Description
PCIe3PHY_GRF_CMN_CO_N0	0x0000	W	0x00003004	PCIe 3.0 PHY Common Control Register 0
PCIe3PHY_GRF_CMN_CO_N1	0x0004	W	0x00000001	PCIe 3.0 PHY Common Control Register 1
PCIe3PHY_GRF_CMN_CO_N2	0x0008	W	0x00000001	PCIe 3.0 PHY Common Control Register 2
PCIe3PHY_GRF_CMN_CO_N3	0x000C	W	0x00000000	PCIe 3.0 PHY Common Control Register 3
PCIe3PHY_GRF_PHY0_CO_N0	0x0100	W	0x00000000	PCIe 3.0 PHY 0 Control Register 0
PCIe3PHY_GRF_PHY0_CO_N1	0x0104	W	0x00000000	PCIe 3.0 PHY 0 Control Register 1
PCIe3PHY_GRF_PHY0_CO_N2	0x0108	W	0x00000003	PCIe 3.0 PHY 0 Control Register 2
PCIe3PHY_GRF_PHY0_CO_N3	0x010C	W	0x00000000	PCIe 3.0 PHY 0 Control Register 3
PCIe3PHY_GRF_PHY0_CO_N4	0x0110	W	0x00000033	PCIe 3.0 PHY 0 Control Register 4

<b>Name</b>	<b>Offset</b>	<b>Size</b>	<b>Reset Value</b>	<b>Description</b>
<u>PCIe3PHY GRF PHY0 CON5</u>	0x0114	W	0x00000003	PCIe 3.0 PHY 0 Control Register 5
<u>PCIe3PHY GRF PHY0 CON6</u>	0x0118	W	0x00000004	PCIe 3.0 PHY 0 Control Register 6
<u>PCIe3PHY GRF PHY0 CON7</u>	0x011C	W	0x00000000	PCIe 3.0 PHY 0 Control Register 7
<u>PCIe3PHY GRF PHY0 CON8</u>	0x0120	W	0x00000011	PCIe 3.0 PHY 0 Control Register 8
<u>PCIe3PHY GRF PHY0 CON9</u>	0x0124	W	0x00000000	PCIe 3.0 PHY 0 Control Register 9
<u>PCIe3PHY GRF PHY1 CON0</u>	0x0200	W	0x00000000	PCIe 3.0 PHY 1 Control Register 0
<u>PCIe3PHY GRF PHY1 CON1</u>	0x0204	W	0x00000000	PCIe 3.0 PHY 1 Control Register 1
<u>PCIe3PHY GRF PHY1 CON2</u>	0x0208	W	0x00000003	PCIe 3.0 PHY 1 Control Register 2
<u>PCIe3PHY GRF PHY1 CON3</u>	0x020C	W	0x00000000	PCIe 3.0 PHY 1 Control Register 3
<u>PCIe3PHY GRF PHY1 CON4</u>	0x0210	W	0x00000033	PCIe 3.0 PHY 1 Control Register 4
<u>PCIe3PHY GRF PHY1 CON5</u>	0x0214	W	0x00000003	PCIe 3.0 PHY 1 Control Register 5
<u>PCIe3PHY GRF PHY1 CON6</u>	0x0218	W	0x00000004	PCIe 3.0 PHY 1 Control Register 6
<u>PCIe3PHY GRF PHY1 CON7</u>	0x021C	W	0x00000000	PCIe 3.0 PHY 1 Control Register 7
<u>PCIe3PHY GRF PHY1 CON8</u>	0x0220	W	0x00000011	PCIe 3.0 PHY 1 Control Register 8
<u>PCIe3PHY GRF PHY1 CON9</u>	0x0224	W	0x00000000	PCIe 3.0 PHY 1 Control Register 9
<u>PCIe3PHY GRF CMN STATUS0</u>	0x0800	W	0x00000002	PCIe 3.0 PHY Common Status Register 0
<u>PCIe3PHY GRF PHY0 STATUS0</u>	0x0900	W	0x00000000	PCIe 3.0 PHY 0 Common Status Register 0
<u>PCIe3PHY GRF PHY0 STATUS1</u>	0x0904	W	0x00000006	PCIe 3.0 PHY 0 Common Status Register 1
<u>PCIe3PHY GRF PHY0 STATUS2</u>	0x0908	W	0x00000004	PCIe 3.0 PHY 0 Common Status Register 2
<u>PCIe3PHY GRF PHY0 STATUS3</u>	0x090C	W	0x00000004	PCIe 3.0 PHY 0 Common Status Register 3
<u>PCIe3PHY GRF PHY0 STATUS4</u>	0x0910	W	0x00000000	PCIe 3.0 PHY 0 Common Status Register 4
<u>PCIe3PHY GRF PHY1 STATUS0</u>	0x0A00	W	0x00000000	PCIe 3.0 PHY 1 Common Status Register 0
<u>PCIe3PHY GRF PHY1 STATUS1</u>	0x0A04	W	0x00000006	PCIe 3.0 PHY 1 Common Status Register 1
<u>PCIe3PHY GRF PHY1 STATUS2</u>	0x0A08	W	0x00000004	PCIe 3.0 PHY 1 Common Status Register 2
<u>PCIe3PHY GRF PHY1 STATUS3</u>	0x0A0C	W	0x00000004	PCIe 3.0 PHY 1 Common Status Register 3
<u>PCIe3PHY GRF PHY1 STATUS4</u>	0x0A10	W	0x00000000	PCIe 3.0 PHY 1 Common Status Register 4

<b>Name</b>	<b>Offset</b>	<b>Size</b>	<b>Reset Value</b>	<b>Description</b>
PCIe3PHY GRF PHY0 LN 0 CON0	0x1000	W	0x00000310	PCIe 3.0 PHY 0 Lane 0 Control Register 0
PCIe3PHY GRF PHY0 LN 0 CON1	0x1004	W	0x000000A0	PCIe 3.0 PHY 0 Lane 0 Control Register 1
PCIe3PHY GRF PHY0 LN 0 CON2	0x1008	W	0x00000000	PCIe 3.0 PHY 0 Lane 0 Control Register 2
PCIe3PHY GRF PHY0 LN 0 CON3	0x100C	W	0x00000000	PCIe 3.0 PHY 0 Lane 0 Control Register 3
PCIe3PHY GRF PHY0 LN 0 CON4	0x1010	W	0x00000000	PCIe 3.0 PHY 0 Lane 0 Control Register 4
PCIe3PHY GRF PHY0 LN 1 CON0	0x1100	W	0x00000310	PCIe 3.0 PHY 0 Lane 1 Control Register 0
PCIe3PHY GRF PHY0 LN 1 CON1	0x1104	W	0x000000A0	PCIe 3.0 PHY 0 Lane 1 Control Register 1
PCIe3PHY GRF PHY0 LN 1 CON2	0x1108	W	0x00000000	PCIe 3.0 PHY 0 Lane 1 Control Register 2
PCIe3PHY GRF PHY0 LN 1 CON3	0x110C	W	0x00000000	PCIe 3.0 PHY 0 Lane 1 Control Register 3
PCIe3PHY GRF PHY0 LN 1 CON4	0x1110	W	0x00000000	PCIe 3.0 PHY 0 Lane 1 Control Register 4
PCIe3PHY GRF PHY1 LN 0 CON0	0x2000	W	0x00000310	PCIe 3.0 PHY 1 Lane 0 Control Register 0
PCIe3PHY GRF PHY1 LN 0 CON1	0x2004	W	0x000000A0	PCIe 3.0 PHY 1 Lane 0 Control Register 1
PCIe3PHY GRF PHY1 LN 0 CON2	0x2008	W	0x00000000	PCIe 3.0 PHY 1 Lane 0 Control Register 2
PCIe3PHY GRF PHY1 LN 0 CON3	0x200C	W	0x00000000	PCIe 3.0 PHY 1 Lane 0 Control Register 3
PCIe3PHY GRF PHY1 LN 0 CON4	0x2010	W	0x00000000	PCIe 3.0 PHY 1 Lane 0 Control Register 4
PCIe3PHY GRF PHY1 LN 1 CON0	0x2100	W	0x00000310	PCIe 3.0 PHY 1 Lane 1 Control Register 0
PCIe3PHY GRF PHY1 LN 1 CON1	0x2104	W	0x000000A0	PCIe 3.0 PHY 1 Lane 1 Control Register 1
PCIe3PHY GRF PHY1 LN 1 CON2	0x2108	W	0x00000000	PCIe 3.0 PHY 1 Lane 1 Control Register 2
PCIe3PHY GRF PHY1 LN 1 CON3	0x210C	W	0x00000000	PCIe 3.0 PHY 1 Lane 1 Control Register 3
PCIe3PHY GRF PHY1 LN 1 CON4	0x2110	W	0x00000000	PCIe 3.0 PHY 1 Lane 1 Control Register 4
PCIe3PHY GRF PRT0 CO N0	0x3000	W	0x00000000	PCIe 3.0 PHY Protocol 0 Control Register 0
PCIe3PHY GRF PRT0 CO N1	0x3004	W	0x00000000	PCIe 3.0 PHY Protocol 0 Control Register 1
PCIe3PHY GRF PRT0 CO N2	0x3008	W	0x00000000	PCIe 3.0 PHY Protocol 0 Control Register 2
PCIe3PHY GRF PRT0 CO N3	0x300C	W	0x00000000	PCIe 3.0 PHY Protocol 0 Control Register 3
PCIe3PHY GRF PRT0 CO N4	0x3010	W	0x00000000	PCIe 3.0 PHY Protocol 0 Control Register 4
PCIe3PHY GRF PRT0 CO N5	0x3014	W	0x00000000	PCIe 3.0 PHY Protocol 0 Control Register 5

<b>Name</b>	<b>Offset</b>	<b>Size</b>	<b>Reset Value</b>	<b>Description</b>
<u>PCIe3PHY GRF PRT0 CO N6</u>	0x3018	W	0x00000000	PCIe 3.0 PHY Protocol 0 Control Register 6
<u>PCIe3PHY GRF PRT0 CO N7</u>	0x301C	W	0x00000000	PCIe 3.0 PHY Protocol 0 Control Register 7
<u>PCIe3PHY GRF PRT0 CO N8</u>	0x3020	W	0x00000000	PCIe 3.0 PHY Protocol 0 Control Register 8
<u>PCIe3PHY GRF PRT0 CO N9</u>	0x3024	W	0x00000000	PCIe 3.0 PHY Protocol 0 Control Register 9
<u>PCIe3PHY GRF PRT0 CO N10</u>	0x3028	W	0x00000000	PCIe 3.0 PHY Protocol 0 Control Register 10
<u>PCIe3PHY GRF PRT0 CO N11</u>	0x302C	W	0x00000000	PCIe 3.0 PHY Protocol 0 Control Register 11
<u>PCIe3PHY GRF PRT0 CO N12</u>	0x3030	W	0x00000000	PCIe 3.0 PHY Protocol 0 Control Register 12
<u>PCIe3PHY GRF PRT0 CO N13</u>	0x3034	W	0x00000000	PCIe 3.0 PHY Protocol 0 Control Register 13
<u>PCIe3PHY GRF PRT0 CO N14</u>	0x3038	W	0x00000000	PCIe 3.0 PHY Protocol 0 Control Register 14
<u>PCIe3PHY GRF PRT0 CO N15</u>	0x303C	W	0x00000000	PCIe 3.0 PHY Protocol 0 Control Register 15
<u>PCIe3PHY GRF PRT0 CO N16</u>	0x3040	W	0x00000000	PCIe 3.0 PHY Protocol 0 Control Register 16
<u>PCIe3PHY GRF PRT0 CO N17</u>	0x3044	W	0x00000000	PCIe 3.0 PHY Protocol 0 Control Register 17
<u>PCIe3PHY GRF PRT0 CO N18</u>	0x3048	W	0x00000000	PCIe 3.0 PHY Protocol 0 Control Register 18
<u>PCIe3PHY GRF PRT0 CO N19</u>	0x304C	W	0x00000000	PCIe 3.0 PHY Protocol 0 Control Register 19
<u>PCIe3PHY GRF PRT0 CO N20</u>	0x3050	W	0x00000000	PCIe 3.0 PHY Protocol 0 Control Register 20
<u>PCIe3PHY GRF PRT0 CO N21</u>	0x3054	W	0x00000000	PCIe 3.0 PHY Protocol 0 Control Register 21
<u>PCIe3PHY GRF PRT0 CO N22</u>	0x3058	W	0x00000000	PCIe 3.0 PHY Protocol 0 Control Register 22
<u>PCIe3PHY GRF PRT0 CO N23</u>	0x305C	W	0x00000000	PCIe 3.0 PHY Protocol 0 Control Register 23
<u>PCIe3PHY GRF PRT0 CO N24</u>	0x3060	W	0x00000000	PCIe 3.0 PHY Protocol 0 Control Register 24
<u>PCIe3PHY GRF PRT0 CO N25</u>	0x3064	W	0x00000000	PCIe 3.0 PHY Protocol 0 Control Register 25
<u>PCIe3PHY GRF PRT0 CO N26</u>	0x3068	W	0x00000000	PCIe 3.0 PHY Protocol 0 Control Register 26
<u>PCIe3PHY GRF PRT0 CO N27</u>	0x306C	W	0x00000000	PCIe 3.0 PHY Protocol 0 Control Register 27
<u>PCIe3PHY GRF PRT0 CO N28</u>	0x3070	W	0x00000000	PCIe 3.0 PHY Protocol 0 Control Register 28
<u>PCIe3PHY GRF PRT0 CO N29</u>	0x3074	W	0x00000000	PCIe 3.0 PHY Protocol 0 Control Register 29
<u>PCIe3PHY GRF PRT0 CO N30</u>	0x3078	W	0x00000000	PCIe 3.0 PHY Protocol 0 Control Register 30
<u>PCIe3PHY GRF PRT0 CO N31</u>	0x307C	W	0x00000000	PCIe 3.0 PHY Protocol 0 Control Register 31

<b>Name</b>	<b>Offset</b>	<b>Size</b>	<b>Reset Value</b>	<b>Description</b>
<u>PCIe3PHY GRF PRT0 CO N32</u>	0x3080	W	0x00000000	PCIe 3.0 PHY Protocol 0 Control Register 32
<u>PCIe3PHY GRF PRT0 CO N33</u>	0x3084	W	0x00000000	PCIe 3.0 PHY Protocol 0 Control Register 33
<u>PCIe3PHY GRF PRT0 CO N34</u>	0x3088	W	0x00000000	PCIe 3.0 PHY Protocol 0 Control Register 34
<u>PCIe3PHY GRF PRT0 CO N35</u>	0x308C	W	0x00000000	PCIe 3.0 PHY Protocol 0 Control Register 35
<u>PCIe3PHY GRF PRT0 CO N36</u>	0x3090	W	0x00000000	PCIe 3.0 PHY Protocol 0 Control Register 36
<u>PCIe3PHY GRF PRT0 CO N37</u>	0x3094	W	0x00000000	PCIe 3.0 PHY Protocol 0 Control Register 37
<u>PCIe3PHY GRF PRT0 CO N38</u>	0x3098	W	0x00000000	PCIe 3.0 PHY Protocol 0 Control Register 38
<u>PCIe3PHY GRF PRT0 CO N39</u>	0x309C	W	0x00000000	PCIe 3.0 PHY Protocol 0 Control Register 39
<u>PCIe3PHY GRF PRT0 CO N50</u>	0x3140	W	0x00000000	PCIe 3.0 PHY Protocol 0 Control Register 50
<u>PCIe3PHY GRF PRT0 CO N51</u>	0x3144	W	0x00000000	PCIe 3.0 PHY Protocol 0 Control Register 51
<u>PCIe3PHY GRF PRT0 CO N52</u>	0x3148	W	0x00000000	PCIe 3.0 PHY Protocol 0 Control Register 52
<u>PCIe3PHY GRF PRT0 CO N53</u>	0x314C	W	0x00000000	PCIe 3.0 PHY Protocol 0 Control Register 53
<u>PCIe3PHY GRF PRT0 CO N54</u>	0x3150	W	0x00000000	PCIe 3.0 PHY Protocol 0 Control Register 54
<u>PCIe3PHY GRF PRT0 CO N55</u>	0x3154	W	0x00000000	PCIe 3.0 PHY Protocol 0 Control Register 55
<u>PCIe3PHY GRF PRT0 CO N56</u>	0x3158	W	0x00000000	PCIe 3.0 PHY Protocol 0 Control Register 56
<u>PCIe3PHY GRF PRT0 CO N57</u>	0x315C	W	0x00000000	PCIe 3.0 PHY Protocol 0 Control Register 57
<u>PCIe3PHY GRF PRT0 CO N58</u>	0x3160	W	0x00000000	PCIe 3.0 PHY Protocol 0 Control Register 58
<u>PCIe3PHY GRF PRT0 CO N59</u>	0x3164	W	0x00000000	PCIe 3.0 PHY Protocol 0 Control Register 59
<u>PCIe3PHY GRF PRT0 CO N60</u>	0x3168	W	0x00000000	PCIe 3.0 PHY Protocol 0 Control Register 60
<u>PCIe3PHY GRF PRT0 CO N61</u>	0x316C	W	0x00000000	PCIe 3.0 PHY Protocol 0 Control Register 61
<u>PCIe3PHY GRF PRT0 CO N62</u>	0x3170	W	0x00000000	PCIe 3.0 PHY Protocol 0 Control Register 62
<u>PCIe3PHY GRF PRT0 CO N63</u>	0x3174	W	0x00000000	PCIe 3.0 PHY Protocol 0 Control Register 63
<u>PCIe3PHY GRF PRT0 CO N64</u>	0x3178	W	0x00000000	PCIe 3.0 PHY Protocol 0 Control Register 64
<u>PCIe3PHY GRF PRT0 CO N65</u>	0x317C	W	0x00000000	PCIe 3.0 PHY Protocol 0 Control Register 65
<u>PCIe3PHY GRF PRT0 CO N66</u>	0x3180	W	0x00000000	PCIe 3.0 PHY Protocol 0 Control Register 66
<u>PCIe3PHY GRF PRT0 CO N67</u>	0x3184	W	0x00000000	PCIe 3.0 PHY Protocol 0 Control Register 67

Name	Offset	Size	Reset Value	Description
<u>PCIe3PHY GRF PRT0 CO N68</u>	0x3188	W	0x00000000	PCIe 3.0 PHY Protocol 0 Control Register 68
<u>PCIe3PHY GRF PRT0 CO N69</u>	0x318C	W	0x00000000	PCIe 3.0 PHY Protocol 0 Control Register 69
<u>PCIe3PHY GRF PRT0 CO N70</u>	0x3190	W	0x00000000	PCIe 3.0 PHY Protocol 0 Control Register 70
<u>PCIe3PHY GRF PRT0 CO N71</u>	0x3194	W	0x00000000	PCIe 3.0 PHY Protocol 0 Control Register 71
<u>PCIe3PHY GRF PRT0 CO N72</u>	0x3198	W	0x00000000	PCIe 3.0 PHY Protocol 0 Control Register 72
<u>PCIe3PHY GRF PRT0 CO N73</u>	0x319C	W	0x00000000	PCIe 3.0 PHY Protocol 0 Control Register 73

Notes: **Size: B**- Byte (8 bits) access, **HW**- Half WORD (16 bits) access, **W**-WORD (32 bits) access, **DW**- Double WORD (64 bits) access

### 6.19.2 Detail Registers Description

#### **PCIe3PHY GRF CMN CON0**

Address: Operational Base + offset (0x0000)

Bit	Attr	Reset Value	Description
31:16	WO	0x0000	write_enable Write enable for lower 16bits, each bit is individual. 1'b0: Write access disable 1'b1: Write access enable
15:14	RO	0x0	reserved
13	RW	0x1	link_num_ctrl_mode Link number assignment method 1'b0: Overwrite by PHY GRF 1'b1: Auto generation by hardware Reserved for RK3588
12	RW	0x1	pipe_rx_recal_cont_en This pin enables re-locking when alignment is lost in non-8B10 mode. Default value is 1; it is recommended that you control this signal in your SoC via register.
11:9	RO	0x0	reserved
8	RW	0x0	pcie30_clamp_n PMA output clamp for PCS. If the PHY analog power is not present, it should be clamp. 1'b0: Clamp enable 1'b1: Clamp release
7:3	RO	0x00	reserved

Bit	Attr	Reset Value	Description
2:0	RW	0x4	<p>pcie30_phy_mode PCIe30 PHY mode. pcie30_phy_mode[2]. The PHY0 and PHY1 aggregation as 1 link when this bit set to 1'b1, and the pcie30_phy_mode[1:0] become invalid. When aggregation is enabled, the 4L controller is integrated as a X4 link controller. If this bit is set to 1'b0, the usage of PHY0 and PHY1 depends on pcie30_phy_mode[1:0]. 1'b0: Aggregation disable 1'b1: Aggregation enable</p> <p>pcie30_phy_mode[1]. The PHY1 bifurcation enable control, only valid when pcie30_phy_mode[2] is set to 1'b0. If this bit set to 1'b1 the PHY1 (lane 2 and lane3) can work as two links, and the two link PMA share the common analog and reference clock for PHY1. When bifurcation is disable, the 2L controller is integrated with PHY1 as a X2 link. When bifurcation is enabled, the 2L controller connects to lane2 and 1L1 controller connects to lane3 (The pcie1l1_sel in PD PHP GRF should set to 1'b1). 1'b0: Bifurcation disable 1'b1: Bifurcation enable</p> <p>pcie30_phy_mode[0]. The PHY0 bifurcation enable control, only valid when pcie30_phy_mode[2] is set to 1'b0. If this bit set to 1'b1 the PHY0 (lane 0 and lane1) can work as two links, and the two link PMA share the common analog and reference clock for PHY0. When bifurcation is disable, the 4L controller is integrated with PHY0 as a X2 link. When bifurcation is enabled, the 4L controller connects to lane0 and 1L0 controller connects to lane1 (The pcie1l0_sel in PD PHP GRF should set to 1'b1). 1'b0: Bifurcation disable 1'b1: Bifurcation enable</p>

**PCIe3PHY GRF CMN CON1**

Address: Operational Base + offset (0x0004)

Bit	Attr	Reset Value	Description
31:16	WO	0x0000	<p>write_enable Write enable for lower 16bits, each bit is individual. 1'b0: Write access disable 1'b1: Write access enable</p>
15:0	RW	0x0001	<p>upcs_pipe_config PCS PIPE configuration. When upcs_pipe_config[0] is set to 1, the PCS ignores lane-off via PIPE specification method (TxElecIdle = 1 and TxCompliance = 1) and responds to power-down/rate/width changes. Otherwise, until the MAC de-assert the "turned off" signaling, the PCS ignores any commands to change power-down/rate/width after being turned off.</p>

**PCIe3PHY GRF CMN CON2**

Address: Operational Base + offset (0x0008)



Bit	Attr	Reset Value	Description
31:16	WO	0x0000	write_enable Write enable for lower 16bits, each bit is individual. 1'b0: Write access disable 1'b1: Write access enable
15:4	RO	0x000	reserved
3	RW	0x0	ext_pclk_req I External PCLK request. When asserted, the MPLL clock sources in the PHY are powered up and pcs_laneX_pclk outputs stay active, regardless of the pcs_laneX_powerdown[3:0] inputs.
2	RW	0x0	phy_rtune_req Resistor tune request. Assertion of it triggers a resistor tune request to PHYN.
1	RW	0x0	phy_ext_ctrl_sel phy_ext_ctrl_sel is PHY configuration setting per-protocol. External overrides for the per-protocol settings of the PHY configuration inputs. (For per-protocol settings to configure the PHY, refer to the PHY Databook, "PHY Usage and Configuration" chapter). The PCS 3.0 internally determines the hard-coded optimal settings for each protocol. However, these settings can be overwritten on a per-protocol basis from these top-level pins when phy_ext_ctrl_sel input is asserted. The protocolP signals correspond to the pcs_laneX_protocol[1:0] value of 00, 01, 10, respectively. Note: Because protocol1 supports only two rates, protocol1_ext*_g3 inputs are not provided.
0	RW	0x1	upcs_pwr_stable Power stable to PCS. Status signal indicating that power for the PCS is stable. For information about power gating, see "Power Gating Support" section. TIE to 1.

**PCIe3PHY GRF CMN CON3**

Address: Operational Base + offset (0x000C)

Bit	Attr	Reset Value	Description
31:16	WO	0x0000	write_enable Write enable for lower 16bits, each bit is individual. 1'b0: Write access disable 1'b1: Write access enable
15:2	RO	0x0000	reserved
1	RW	0x0	phy_test_burnin All circuits activators. Reserved. Tie off to 1'b0. For the full signal description, refer to the PHY Databook, "Signal Descriptions" chapter.
0	RW	0x0	phy_test_powerdown All circuits power-down control. Powers down all circuitry in the PHY for IDDQ testing. Note: The PHY is not functional in this mode and must be reset after this signal is de-asserted. For the full signal description, refer to the PHY Databook, "Signal Descriptions" chapter.

**PCIe3PHY GRF PHY0 CON0**

Address: Operational Base + offset (0x0100)

Bit	Attr	Reset Value	Description
31:16	WO	0x0000	write_enable Write enable for lower 16bits, each bit is individual. 1'b0: Write access disable 1'b1: Write access enable
15:9	RO	0x00	reserved
8:0	RW	0x000	txdn_term_offset Reserved

**PCIe3PHY GRF PHY0 CON1**

Address: Operational Base + offset (0x0104)

Bit	Attr	Reset Value	Description
31:16	WO	0x0000	write_enable Write enable for lower 16bits, each bit is individual. 1'b0: Write access disable 1'b1: Write access enable
15:9	RO	0x00	reserved
8:0	RW	0x000	txup_term_offset Reserved

**PCIe3PHY GRF PHY0 CON2**

Address: Operational Base + offset (0x0108)

Bit	Attr	Reset Value	Description
31:16	WO	0x0000	write_enable Write enable for lower 16bits, each bit is individual. 1'b0: Write access disable 1'b1: Write access enable
15:2	RO	0x0000	reserved
1	RW	0x1	rx1_term_acdc Reserved
0	RW	0x1	rx0_term_acdc Reserved

**PCIe3PHY GRF PHY0 CON3**

Address: Operational Base + offset (0x010C)

Bit	Attr	Reset Value	Description
31:16	WO	0x0000	write_enable Write enable for lower 16bits, each bit is individual. 1'b0: Write access disable 1'b1: Write access enable
15:5	RO	0x000	reserved
4:0	RW	0x00	rx_term_offset Reserved

**PCIe3PHY GRF PHY0 CON4**

Address: Operational Base + offset (0x0110)

Bit	Attr	Reset Value	Description
31:16	WO	0x0000	write_enable Write enable for lower 16bits, each bit is individual. 1'b0: Write access disable 1'b1: Write access enable
15:6	RO	0x000	reserved

Bit	Attr	Reset Value	Description
5	RW	0x1	pma_pwr_stable Power stable for PMA. Status signal indicating that the power for the PMA is stable. For more information see "Power Gating" in the "PHY Usage and Configuration" chapter.
4	RW	0x1	pcs_pwr_stable Power stable for Raw PCS. Status signal indicating that the power for the Raw PCS is stable. For more information see "Power Gating" in the "PHY Usage and Configuration" chapter.
3:2	RO	0x0	reserved
1:0	RW	0x3	nominal_vph_sel Reserved

**PCIe3PHY GRF PHY0 CON5**

Address: Operational Base + offset (0x0114)

Bit	Attr	Reset Value	Description
31:16	WO	0x0000	write_enable Write enable for lower 16bits, each bit is individual. 1'b0: Write access disable 1'b1: Write access enable
15:2	RO	0x0000	reserved
1	RW	0x1	lane1_power_present VBUS power present. Signal from external VBUS detection circuit.
0	RW	0x1	lane0_power_present VBUS power present. Signal from external VBUS detection circuit.

**PCIe3PHY GRF PHY0 CON6**

Address: Operational Base + offset (0x0118)

Bit	Attr	Reset Value	Description
31:16	WO	0x0000	write_enable Write enable for lower 16bits, each bit is individual. 1'b0: Write access disable 1'b1: Write access enable
15:3	RO	0x0000	reserved
2	RW	0x1	ref_use_pad Select reference clock connected to ref_pad_clk_p/ref_pad_clk_m. Selects the external ref_pad_clk_p and ref_pad_clk_m inputs as the reference clock source when asserted. When de-asserted, ref_alt_clk_p and ref_alt_clk_m are the sources of the reference clock. Any change in this input must be followed by phy_reset assertion. Note: A transition on this input must be followed by the assertion of phy_reset.
1	RW	0x0	ref_repeat_clk_en Repeat reference clock enable Enables the CMOS output clocks ref_repeat_clk_(p,m). This pair of clocks can be used as reference clocks for other on-chip PHYs.
0	RW	0x0	ref_clkdet_en Reserved

**PCIe3PHY GRF PHY0 CON7**

Address: Operational Base + offset (0x011C)

Bit	Attr	Reset Value	Description
31:16	WO	0x0000	write_enable Write enable for lower 16bits, each bit is individual. 1'b0: Write access disable 1'b1: Write access enable
15:6	RO	0x000	reserved
5	RW	0x0	mpllb_ssc_en Spread spectrum enable. Enables spread-spectrum clock (SSC) generation on the mpll_div_clk output. If the reference clock already has spread spectrum applied, mpll_ssc_en must be de-asserted. These inputs can only be changed when the txX_mpll_en inputs for all lanes are de-asserted.
4	RW	0x0	mpllb_force_en MPLL force enable. When asserted, the corresponding MPLL is forced to be powered up, irrespective of the txX_mpll_en input. This input is used for applications where a free-running MPLL clock output is required. There are no restrictions on when the mpllb_force_en signal can be transitioned. If MPLL is not powered up, we recommend that you follow the txX_mpll_en controls as shown in the "MPLLA Configuration Settings Update Followed By a TX Power-state Change" figure in the "PHY Usage and Configuration" chapter.
3:2	RO	0x0	reserved
1	RW	0x0	mplla_ssc_en Spread spectrum enable. Enables spread-spectrum clock (SSC) generation on the mplla_div_clk output. If the reference clock already has spread spectrum applied, mplla_ssc_en must be de-asserted. These inputs can only be changed when the txX_mpll_en inputs for all lanes are de-asserted.
0	RW	0x0	mplla_force_en MPLLA force enable. When asserted, the corresponding MPLL is forced to be powered up, irrespective of the txX_mpll_en input. This input is used for applications where a free-running MPLL clock output is required. There are no restrictions on when the mplla_force_en signal can be transitioned. If MPLL is not powered up, we recommend that you follow the txX_mpll_en controls as shown in the "MPLLA Configuration Settings Update Followed By a TX Power-state Change" figure in the "PHY Usage and Configuration" chapter.

**PCIe3PHY GRF PHY0 CONS**

Address: Operational Base + offset (0x0120)

Bit	Attr	Reset Value	Description
31:16	WO	0x0000	write_enable Write enable for lower 16bits, each bit is individual. 1'b0: Write access disable 1'b1: Write access enable
15:5	RO	0x000	reserved

Bit	Attr	Reset Value	Description
4	RW	0x1	cr_para_sel Control Register (CR) parallel interface select. Controls selection between JTAG and CR interfaces: 1'b0: JTAG 1'b1: Control Register (CR) This input can only be changed when the cr_para_clk and jtag_tck clock inputs are disabled.
3:2	RO	0x0	reserved
1	RW	0x0	sram_ext_ld_done SRAM external load done. Signal asserted by user after any updates to the SRAM have been loaded. For the full signal description, refer to the PHY Databook, "Signal Descriptions" chapter.
0	RW	0x1	sram_bypass SRAM bypass control signal when asserted, bypasses the SRAM interface. In this case, the adaptation and calibration algorithms are executed from the hard-wired values within the Raw PCS. If SRAM is not bypassed, the internal algorithms are first loaded by Raw PCS into the SRAM at which point user can change the contents of the SRAM. The updated SRAM contents are used for the adaptation and calibration routines. This signal is meant to be used only for debugging purposes and must not change after phy_reset is negated. For the full signal description, refer to the PHY Databook, "Signal Descriptions" chapter.

**PCIe3PHY GRF PHY0 CON9**

Address: Operational Base + offset (0x0124)

Bit	Attr	Reset Value	Description
31:16	WO	0x0000	write_enable Write enable for lower 16bits, each bit is individual. 1'b0: Write access disable 1'b1: Write access enable
15:2	RO	0x0000	reserved
1	RW	0x0	lane1_rx2tx_par_lb_en Parallel (RX to TX) loopback enable. When this signal is asserted, recovered parallel data from the receiver is looped back to the transmit serializer.
0	RW	0x0	lane0_rx2tx_par_lb_en Parallel (RX to TX) loopback enable. When this signal is asserted, recovered parallel data from the receiver is looped back to the transmit serializer.

**PCIe3PHY GRF PHY1 CON0**

Address: Operational Base + offset (0x0200)

Bit	Attr	Reset Value	Description
31:16	WO	0x0000	write_enable Write enable for lower 16bits, each bit is individual. 1'b0: Write access disable 1'b1: Write access enable
15:9	RO	0x00	reserved
8:0	RW	0x000	txdn_term_offset Reserved

**PCIe3PHY GRF PHY1 CON1**

Address: Operational Base + offset (0x0204)

Bit	Attr	Reset Value	Description
31:16	WO	0x0000	write_enable Write enable for lower 16bits, each bit is individual. 1'b0: Write access disable 1'b1: Write access enable
15:9	RO	0x00	reserved
8:0	RW	0x000	txup_term_offset Reserved

**PCIe3PHY GRF PHY1 CON2**

Address: Operational Base + offset (0x0208)

Bit	Attr	Reset Value	Description
31:16	WO	0x0000	write_enable Write enable for lower 16bits, each bit is individual. 1'b0: Write access disable 1'b1: Write access enable
15:2	RO	0x0000	reserved
1	RW	0x1	rx1_term_acdc Reserved
0	RW	0x1	rx0_term_acdc Reserved

**PCIe3PHY GRF PHY1 CON3**

Address: Operational Base + offset (0x020C)

Bit	Attr	Reset Value	Description
31:16	WO	0x0000	write_enable Write enable for lower 16bits, each bit is individual. 1'b0: Write access disable 1'b1: Write access enable
15:5	RO	0x000	reserved
4:0	RW	0x00	rx_term_offset Reserved

**PCIe3PHY GRF PHY1 CON4**

Address: Operational Base + offset (0x0210)

Bit	Attr	Reset Value	Description
31:16	WO	0x0000	write_enable Write enable for lower 16bits, each bit is individual. 1'b0: Write access disable 1'b1: Write access enable
15:6	RO	0x000	reserved
5	RW	0x1	pma_pwr_stable Power stable for PMA. Status signal indicating that the power for the PMA is stable. For more information see "Power Gating" in the "PHY Usage and Configuration" chapter.
4	RW	0x1	pcs_pwr_stable Power stable for Raw PCS. Status signal indicating that the power for the Raw PCS is stable. For more information see "Power Gating" in the "PHY Usage and Configuration" chapter.
3:2	RO	0x0	reserved

Bit	Attr	Reset Value	Description
1:0	RW	0x3	nominal_vph_sel Reserved

**PCIe3PHY GRF PHY1 CON5**

Address: Operational Base + offset (0x0214)

Bit	Attr	Reset Value	Description
31:16	WO	0x0000	write_enable Write enable for lower 16bits, each bit is individual. 1'b0: Write access disable 1'b1: Write access enable
15:2	RO	0x0000	reserved
1	RW	0x1	lane1_power_present VBUS power present. Signal from external VBUS detection circuit.
0	RW	0x1	lane0_power_present VBUS power present. Signal from external VBUS detection circuit.

**PCIe3PHY GRF PHY1 CON6**

Address: Operational Base + offset (0x0218)

Bit	Attr	Reset Value	Description
31:16	WO	0x0000	write_enable Write enable for lower 16bits, each bit is individual. 1'b0: Write access disable 1'b1: Write access enable
15:3	RO	0x0000	reserved
2	RW	0x1	ref_use_pad Select reference clock connected to ref_pad_clk_p/ref_pad_clk_m. Selects the external ref_pad_clk_p and ref_pad_clk_m inputs as the reference clock source when asserted. When de-asserted, ref_alt_clk_p and ref_alt_clk_m are the sources of the reference clock. Any change in this input must be followed by phy_reset assertion. Note: A transition on this input must be followed by the assertion of phy_reset.
1	RW	0x0	ref_repeat_clk_en Repeat reference clock enable Enables the CMOS output clocks ref_repeat_clk_(p,m). This pair of clocks can be used as reference clocks for other on-chip PHYs.
0	RW	0x0	ref_clkdet_en Reserved

**PCIe3PHY GRF PHY1 CON7**

Address: Operational Base + offset (0x021C)

Bit	Attr	Reset Value	Description
31:16	WO	0x0000	write_enable Write enable for lower 16bits, each bit is individual. 1'b0: Write access disable 1'b1: Write access enable
15:6	RO	0x000	reserved

Bit	Attr	Reset Value	Description
5	RW	0x0	<p>mpllb_ssc_en Spread spectrum enable. Enables spread-spectrum clock (SSC) generation on the mpll_div_clk output. If the reference clock already has spread spectrum applied, mpll_ssc_en must be de-asserted. These inputs can only be changed when the txX_mpll_en inputs for all lanes are de-asserted.</p>
4	RW	0x0	<p>mpllb_force_en MPLL force enable. When asserted, the corresponding MPLL is forced to be powered up, irrespective of the txX_mpll_en input. This input is used for applications where a free-running MPLL clock output is required. There are no restrictions on when the mpllb_force_en signal can be transitioned. If MPLL is not powered up, we recommend that you follow the txX_mpll_en controls as shown in the "MPLLA Configuration Settings Update Followed By a TX Power-state Change" figure in the "PHY Usage and Configuration" chapter.</p>
3:2	RO	0x0	reserved
1	RW	0x0	<p>mplla_ssc_en Spread spectrum enable. Enables spread-spectrum clock (SSC) generation on the mplla_div_clk output. If the reference clock already has spread spectrum applied, mplla_ssc_en must be de-asserted. These inputs can only be changed when the txX_mpll_en inputs for all lanes are de-asserted.</p>
0	RW	0x0	<p>mplla_force_en MPLLA force enable. When asserted, the corresponding MPLL is forced to be powered up, irrespective of the txX_mpll_en input. This input is used for applications where a free-running MPLL clock output is required. There are no restrictions on when the mplla_force_en signal can be transitioned. If MPLL is not powered up, we recommend that you follow the txX_mpll_en controls as shown in the "MPLLA Configuration Settings Update Followed By a TX Power-state Change" figure in the "PHY Usage and Configuration" chapter.</p>

**PCIe3PHY GRF PHY1 CON8**

Address: Operational Base + offset (0x0220)

Bit	Attr	Reset Value	Description
31:16	WO	0x0000	<p>write_enable Write enable for lower 16bits, each bit is individual. 1'b0: Write access disable 1'b1: Write access enable</p>
15:5	RO	0x000	reserved
4	RW	0x1	<p>cr_para_sel Control Register (CR) parallel interface select. Controls selection between JTAG and CR interfaces: 1'b0: JTAG 1'b1: Control Register (CR) This input can only be changed when the cr_para_clk and jtag_tck clock inputs are disabled.</p>
3:2	RO	0x0	reserved



Bit	Attr	Reset Value	Description
1	RW	0x0	sram_ext_ld_done SRAM external load done. Signal asserted by user after any updates to the SRAM have been loaded. For the full signal description, refer to the PHY Databook, "Signal Descriptions" chapter.
0	RW	0x1	sram_bypass SRAM bypass control signal when asserted, bypasses the SRAM interface. In this case, the adaptation and calibration algorithms are executed from the hard-wired values within the Raw PCS. If SRAM is not bypassed, the internal algorithms are first loaded by Raw PCS into the SRAM at which point user can change the contents of the SRAM. The updated SRAM contents are used for the adaptation and calibration routines. This signal is meant to be used only for debugging purposes and must not change after phy_reset is negated. For the full signal description, refer to the PHY Databook, "Signal Descriptions" chapter.

**PCIe3PHY GRF PHY1 CON9**

Address: Operational Base + offset (0x0224)

Bit	Attr	Reset Value	Description
31:16	WO	0x0000	write_enable Write enable for lower 16bits, each bit is individual. 1'b0: Write access disable 1'b1: Write access enable
15:2	RO	0x0000	reserved
1	RW	0x0	lane1_rx2tx_par_lb_en Parallel (RX to TX) loopback enable. When this signal is asserted, recovered parallel data from the receiver is looped back to the transmit serializer.
0	RW	0x0	lane0_rx2tx_par_lb_en Parallel (RX to TX) loopback enable. When this signal is asserted, recovered parallel data from the receiver is looped back to the transmit serializer.

**PCIe3PHY GRF CMN STATUS0**

Address: Operational Base + offset (0x0800)

Bit	Attr	Reset Value	Description
31:2	RO	0x00000000	reserved
1	RO	0x1	upcs_pwr_en Power enables for PCS power switch(es). Enable signal for external switch(es) to supply power to the power-gated logic in the PCS. For information about power gating, see "Power Gating Support" section.
0	RO	0x0	phy_rtune_ack Resistor tune acknowledgement. Indicates that a resistor tune request is completed for all PHYN.

**PCIe3PHY GRF PHY0 STATUS0**

Address: Operational Base + offset (0x0900)

Bit	Attr	Reset Value	Description
31:15	RO	0x00000	reserved

Bit	Attr	Reset Value	Description
14	RO	0x0	rx1_ppm_drift_vld Reserved
13:9	RO	0x00	reserved
8	RO	0x0	rx1_ppm_drift Reserved
7	RO	0x0	reserved
6	RO	0x0	rx0_ppm_drift_vld Reserved
5:0	RO	0x00	rx0_ppm_drift Reserved

**PCIe3PHY GRF PHY0 STATUS1**

Address: Operational Base + offset (0x0904)

Bit	Attr	Reset Value	Description
31:7	RO	0x0000000	reserved
6	RO	0x0	mpllb_state Connects to the mpllb_state signal on PHYN. For the full signal description, refer to the PHY databook, "Signal Descriptions" chapter.
5:4	RO	0x0	reserved
3	RO	0x0	mplla_state Connects to the mplla_state signal on PHYN. For the full signal description, refer to the PHY databook, "Signal Descriptions" chapter.
2	RO	0x1	pma_pwr_en Power enable for PMA power switch. Enable signal for PMA power switch (external) to supply power to the PMA. For more information see "Power Gating" in the "PHY Usage and Configuration" chapter.
1	RO	0x1	pcs_pwr_en Power enable for Raw PCS power switches. Enable signal for external switches to supply power to the power gated logic in Raw PCS. For more information see "Power Gating" in the "PHY Usage and Configuration" chapter.
0	RO	0x0	sram_init_done SRAM Initialization done. Signal indicating that the SRAM has been initialized by the boot loader in the Raw PCS. This signal will not assert if sram_bypass is asserted. For the full signal description, refer to the PHY databook, "Signal Descriptions" chapter

**PCIe3PHY GRF PHY0 STATUS2**

Address: Operational Base + offset (0x0908)

Bit	Attr	Reset Value	Description
31:4	RO	0x0000000	reserved
3	RO	0x0	rx0_align_detect RX ALIGN symbol detected for lane X; PIPE 4.3 signal "AlignDetect" (Sec 6.1, PIPE 4.3). Indicates receiver detection of an Align.

Bit	Attr	Reset Value	Description
2:1	RO	0x2	pipe_lane0_databuswidth Bus width configuration for lane X; PIPE 4.3 signal "DataBusWidth[1:0]" (Sec 6.1, PIPE 4.3). This field reports the width of the data bus configured for the PHY.
0	RO	0x0	pipe_lane0_clkack_n Clock acknowledge for lane X. This is a side-band signal needed for the PIPE 4.2 controller to enter and exit P1.CPM, P1.1, and P1.2 power states. For information about using this signal, see "PCIe L1 Substate Transitions" section. When integrating with a PIPE 4.3 controller, this output can be ignored.

**PCIe3PHY GRF PHY0 STATUS3**

Address: Operational Base + offset (0x090C)

Bit	Attr	Reset Value	Description
31:4	RO	0x0000000	reserved
3	RO	0x0	rx1_align_detect RX ALIGN symbol detected for lane X; PIPE 4.3 signal "AlignDetect" (Sec 6.1, PIPE 4.3). Indicates receiver detection of an Align.
2:1	RO	0x2	pipe_lane1_databuswidth Bus width configuration for lane X; PIPE 4.3 signal "DataBusWidth[1:0]" (Sec 6.1, PIPE 4.3). This field reports the width of the data bus configured for the PHY.
0	RO	0x0	pipe_lane1_clkack_n Clock acknowledge for lane X. This is a side-band signal needed for the PIPE 4.2 controller to enter and exit P1.CPM, P1.1, and P1.2 power states. For information about using this signal, see "PCIe L1 Substate Transitions" section. When integrating with a PIPE 4.3 controller, this output can be ignored.

**PCIe3PHY GRF PHY0 STATUS4**

Address: Operational Base + offset (0x0910)

Bit	Attr	Reset Value	Description
31:25	RO	0x00	reserved
24:16	RO	0x000	rx1_ebuff_location Entries in elastic buffer for lane X; PIPE 4.3 signal "ElasticBufferLocation[8:0]" (Sec 6.1, PIPE 4.3). Encodes the number of entries currently in the elastic buffer.
15:9	RO	0x00	reserved
8:0	RO	0x000	rx0_ebuff_location Entries in elastic buffer for lane X; PIPE 4.3 signal "ElasticBufferLocation[8:0]" (Sec 6.1, PIPE 4.3). Encodes the number of entries currently in the elastic buffer.

**PCIe3PHY GRF PHY1 STATUS0**

Address: Operational Base + offset (0x0A00)

Bit	Attr	Reset Value	Description
31:15	RO	0x00000	reserved
14	RO	0x0	rx1_ppm_drift_vld Reserved
13:9	RO	0x00	reserved

Bit	Attr	Reset Value	Description
8	RO	0x0	rx1_ppm_drift Reserved
7	RO	0x0	reserved
6	RO	0x0	rx0_ppm_drift_vld Reserved
5:0	RO	0x00	rx0_ppm_drift Reserved

**PCIe3PHY GRF PHY1 STATUS1**

Address: Operational Base + offset (0x0A04)

Bit	Attr	Reset Value	Description
31:7	RO	0x0000000	reserved
6	RO	0x0	mpllb_state Connects to the mpllb_state signal on PHYN. For the full signal description, refer to the PHY databook, "Signal Descriptions" chapter.
5:4	RO	0x0	reserved
3	RO	0x0	mplla_state Connects to the mplla_state signal on PHYN. For the full signal description, refer to the PHY databook, "Signal Descriptions" chapter.
2	RO	0x1	pma_pwr_en Power enable for PMA power switch. Enable signal for PMA power switch (external) to supply power to the PMA. For more information see "Power Gating" in the "PHY Usage and Configuration" chapter.
1	RO	0x1	pcs_pwr_en Power enable for Raw PCS power switches. Enable signal for external switches to supply power to the power gated logic in Raw PCS. For more information see "Power Gating" in the "PHY Usage and Configuration" chapter.
0	RO	0x0	sram_init_done SRAM Initialization done. Signal indicating that the SRAM has been initialized by the boot loader in the Raw PCS. This signal will not assert if sram_bypass is asserted. For the full signal description, refer to the PHY databook, "Signal Descriptions" chapter

**PCIe3PHY GRF PHY1 STATUS2**

Address: Operational Base + offset (0x0A08)

Bit	Attr	Reset Value	Description
31:4	RO	0x0000000	reserved
3	RO	0x0	rx0_align_detect RX ALIGN symbol detected for lane X; PIPE 4.3 signal "AlignDetect" (Sec 6.1, PIPE 4.3). Indicates receiver detection of an Align.
2:1	RO	0x2	pipe_lane0_databuswidth Bus width configuration for lane X; PIPE 4.3 signal "DataBusWidth[1:0]" (Sec 6.1, PIPE 4.3). This field reports the width of the data bus configured for the PHY.

Bit	Attr	Reset Value	Description
0	RO	0x0	pipe_lane0_clkack_n Clock acknowledge for lane X. This is a side-band signal needed for the PIPE 4.2 controller to enter and exit P1.CPM, P1.1, and P1.2 power states. For information about using this signal, see "PCIe L1 Substate Transitions" section. When integrating with a PIPE 4.3 controller, this output can be ignored.

**PCIe3PHY GRF PHY1 STATUS3**

Address: Operational Base + offset (0x0A0C)

Bit	Attr	Reset Value	Description
31:4	RO	0x0000000	reserved
3	RO	0x0	rx1_align_detect RX ALIGN symbol detected for lane X; PIPE 4.3 signal "AlignDetect" (Sec 6.1, PIPE 4.3). Indicates receiver detection of an Align.
2:1	RO	0x2	pipe_lane1_databuswidth Bus width configuration for lane X; PIPE 4.3 signal "DataBusWidth[1:0]" (Sec 6.1, PIPE 4.3). This field reports the width of the data bus configured for the PHY.
0	RO	0x0	pipe_lane1_clkack_n Clock acknowledge for lane X. This is a side-band signal needed for the PIPE 4.2 controller to enter and exit P1.CPM, P1.1, and P1.2 power states. For information about using this signal, see "PCIe L1 Substate Transitions" section. When integrating with a PIPE 4.3 controller, this output can be ignored.

**PCIe3PHY GRF PHY1 STATUS4**

Address: Operational Base + offset (0x0A10)

Bit	Attr	Reset Value	Description
31:25	RO	0x00	reserved
24:16	RO	0x000	rx1_ebuff_location Entries in elastic buffer for lane X; PIPE 4.3 signal "ElasticBufferLocation[8:0]" (Sec 6.1, PIPE 4.3). Encodes the number of entries currently in the elastic buffer.
15:9	RO	0x00	reserved
8:0	RO	0x000	rx0_ebuff_location Entries in elastic buffer for lane X; PIPE 4.3 signal "ElasticBufferLocation[8:0]" (Sec 6.1, PIPE 4.3). Encodes the number of entries currently in the elastic buffer.

**PCIe3PHY GRF PHY0 LNO CON0**

Address: Operational Base + offset (0x1000)

Bit	Attr	Reset Value	Description
31:16	WO	0x0000	write_enable Write enable for lower 16bits, each bit is individual. 1'b0: Write access disable 1'b1: Write access enable
15:12	RO	0x0	reserved

Bit	Attr	Reset Value	Description
11:8	RW	0x3	powerdown Power state for lane X; PIPE 4.3 signal "PowerDown[3:0]" (Sec 6.1, PIPE 4.3). Controls the PHY power states. The power-state mapping is as follows: 4'h0: P0 4'h1: P0s 4'h2: P1 4'h3: P2 4'h4: P1.CPM 4'h5: P1.1 4'h6: P1.2 4'h7: P2.CPM For information about power state transitions, see "Power State Transitions" section.
7	RO	0x0	reserved
6	RW	0x0	clkreq_n Clock request for lane X. This is a side-band signal that a PIPE 4.2 controller needs to enter and exit P1.CPM, P1.1, and P1.2 power states. For information about using this signal, see "PCIe L1 Substate Transitions" section. When integrating with a PIPE 4.3-compliant controller, set this input to an asserted value of 0.
5	RW	0x0	tx2rx_loopbk TX-to-RX loopback enable for lane X. When asserted, this input turns on the TX-to-RX serial loopback within the PHY. This signal is for debug purposes only.
4	RW	0x1	mpll_mode Reserved
3:0	RW	0x0	lane0_link_num Reserved

**PCIe3PHY GRF PHY0 LN0 CON1**

Address: Operational Base + offset (0x1004)

Bit	Attr	Reset Value	Description
31:16	WO	0x0000	write_enable Write enable for lower 16bits, each bit is individual. 1'b0: Write access disable 1'b1: Write access enable
15:9	RO	0x00	reserved
8	RW	0x0	rxX_standby RX standby enable for lane X; PIPE 4.3 signal "RxStandby" (Sec 6.1, PIPE 4.3). When asserted, the RX CDR for lane X is disabled.

Bit	Attr	Reset Value	Description
7	RW	0x1	<p>rxX_cmn_refclk_mode RX common reference clock mode for lane X. This mode should be enabled only when the far-end and near-end devices are running with a common reference clock. When asserted, this input configures the elastic buffer to operate in the lowest latency mode. Note: SKP symbol manipulation is disabled in this mode, because SKP symbol manipulation is not needed when the reference clock is common between near-end and far-end (that is, local clock and recovered clock have the same frequency). Any change to this input must be followed by phy_reset assertion.</p>
6	RW	0x0	<p>rxX_sris_mode_en RX SRIS ECM mode enable for lane X. When asserted, this input configures the PHY CDR and the elastic buffer to recover Independent Spread Spectrum Data. Note: Any change to this input must be followed by phy_reset assertion.</p>
5	RW	0x1	<p>rxX_termination RX termination enable for lane X; PIPE 4.3 signal "RX Termination" (Sec 6.1, PIPE 4.3). When asserted, the RX terminations are enabled.</p>
4	RW	0x0	<p>rxX_disable RX disable control for lane X. This is a side-band signal that a PIPE 4.2 controller needs to enter and exit P1.1 and P1.2 power states. When asserted, all RX lane circuitry (including RX Electrical Idle Exit Detection) for lane X is disabled. When integrating with a PIPE 4.3 controller, pcs_rxX_disable must be set to 0. For P1.1 and P1.2 entry and exit sequences, see "PCIe L1 Substate Transitions" section.</p>
3	RW	0x0	<p>rxX_eb_empty_mode I Elastic buffer mode for lane X; PIPE 4.3 signal "Elasticity Buffer Mode" (Sec 6.1, PIPE 4.3). Selects Elasticity Buffer operating mode. 1'b0: Nominal Half-Full Buffer mode 1'b1: Hybrid Pipe Buffer Mode Note: Any change to this input must be followed by phy_reset assertion.</p>
2	RW	0x0	<p>txX_compliance TX compliance for lane X; PIPE 4.3 signal "TxCompliance" (Sec 6.1, PIPE 4.3). Sets the running disparity to negative.</p>
1	RW	0x0	<p>txX_eleidle TX electrical idle enable for lane X; PIPE 4.3 signal "TxElecIdle" (Sec 6.1, PIPE 4.3). When asserted (except during loopback), forces TX output to electrical idle.</p>

Bit	Attr	Reset Value	Description
0	RW	0x0	txX_disable Transmitter disable. This is a side-band signal that a PIPE 4.2 controller needs to enter and exit P1.2 power state. When asserted, the TX common mode for lane X is disabled. When integrating with a PIPE 4.3 controller, pcs_txX_disable must be set to 0. For P1.2 entry and exit sequences, see "PCIe L1 Substate Transitions" section.

**PCIe3PHY GRF PHY0 LNO CON2**

Address: Operational Base + offset (0x1008)

Bit	Attr	Reset Value	Description
31:6	RO	0x0000000	reserved
5:0	RW	0x00	rxX_idle_los_cnt_g1 These pins provide a control to disable the CDR in PCIE GEN1 mode when there is electrical idle on rx line without EIOS. It is recommended that you control this signal in your SoC register with default value 000000 (disabled). Note: When 000000, the feature is disabled. The other values decide the duration of electrical idle which should be conceived as EIOS by PHY in terms of PCS_CLK.

**PCIe3PHY GRF PHY0 LNO CON3**

Address: Operational Base + offset (0x100C)

Bit	Attr	Reset Value	Description
31:1	RO	0x00000000	reserved
0	RW	0x0	reserved reserved

**PCIe3PHY GRF PHY0 LNO CON4**

Address: Operational Base + offset (0x1010)

Bit	Attr	Reset Value	Description
31:16	WO	0x0000	write_enable Write enable for lower 16bits, each bit is individual. 1'b0: Write access disable 1'b1: Write access enable
15:7	RO	0x000	reserved
6	RW	0x0	sel_rxX_standby Override enable for rxX_standby. 1'b0: PIPE signal from controller 1'b1: PIPE signal from PCIe30 PHY GRF
5	RW	0x0	sel_rxX_disable Override enable for rxX_disable. 1'b0: PIPE signal from controller 1'b1: PIPE signal from PCIe30 PHY GRF
4	RW	0x0	sel_rxX_eb_empty_mode Override enable for rxX_eb_empty_mode. 1'b0: PIPE signal from controller 1'b1: PIPE signal from PCIe30 PHY GRF
3	RW	0x0	sel_txX_compliance Override enable for txX_compliance. 1'b0: PIPE signal from controller 1'b1: PIPE signal from PCIe30 PHY GRF



Bit	Attr	Reset Value	Description
2	RW	0x0	sel_txX_elecidle Override enable for txX_elecidle. 1'b0: PIPE signal from controller 1'b1: PIPE signal from PCIe30 PHY GRF
1	RW	0x0	sel_txX_disable Override enable for txX_disable. 1'b0: PIPE signal from controller 1'b1: PIPE signal from PCIe30 PHY GRF
0	RW	0x0	sel_powerdown Override enable for powerdown. 1'b0: PIPE signal from controller 1'b1: PIPE signal from PCIe30 PHY GRF

**PCIe3PHY GRF PHY0 LN1 CON0**

Address: Operational Base + offset (0x1100)

Bit	Attr	Reset Value	Description
31:16	WO	0x0000	write_enable Write enable for lower 16bits, each bit is individual. 1'b0: Write access disable 1'b1: Write access enable
15:12	RO	0x0	reserved
11:8	RW	0x3	powerdown Power state for lane X; PIPE 4.3 signal "PowerDown[3:0]" (Sec 6.1, PIPE 4.3). Controls the PHY power states. The power-state mapping is as follows: 4'h0: P0 4'h1: P0s 4'h2: P1 4'h3: P2 4'h4: P1.CPM 4'h5: P1.1 4'h6: P1.2 4'h7: P2.CPM For information about power state transitions, see "Power State Transitions" section.
7	RO	0x0	reserved
6	RW	0x0	clkreq_n Clock request for lane X. This is a side-band signal that a PIPE 4.2 controller needs to enter and exit P1.CPM, P1.1, and P1.2 power states. For information about using this signal, see "PCIe L1 Substate Transitions" section. When integrating with a PIPE 4.3-compliant controller, set this input to an asserted value of 0.
5	RW	0x0	tx2rx_loopbk TX-to-RX loopback enable for lane X. When asserted, this input turns on the TX-to-RX serial loopback within the PHY. This signal is for debug purposes only.
4	RW	0x1	mpll_mode Reserved
3:0	RW	0x0	lane0_link_num Reserved

**PCIe3PHY GRF PHY0 LN1 CON1**

Address: Operational Base + offset (0x1104)

Bit	Attr	Reset Value	Description
31:16	WO	0x0000	write_enable Write enable for lower 16bits, each bit is individual. 1'b0: Write access disable 1'b1: Write access enable
15:9	RO	0x00	reserved
8	RW	0x0	rxX_standby RX standby enable for lane X; PIPE 4.3 signal "RxStandby" (Sec 6.1, PIPE 4.3). When asserted, the RX CDR for lane X is disabled.
7	RW	0x1	rxX_cmn_refclk_mode RX common reference clock mode for lane X. This mode should be enabled only when the far-end and near-end devices are running with a common reference clock. When asserted, this input configures the elastic buffer to operate in the lowest latency mode. Note: SKP symbol manipulation is disabled in this mode, because SKP symbol manipulation is not needed when the reference clock is common between near-end and far-end (that is, local clock and recovered clock have the same frequency). Any change to this input must be followed by phy_reset assertion.
6	RW	0x0	rxX_sris_mode_en RX SRIS ECM mode enable for lane X. When asserted, this input configures the PHY CDR and the elastic buffer to recover Independent Spread Spectrum Data. Note: Any change to this input must be followed by phy_reset assertion.
5	RW	0x1	rxX_termination RX termination enable for lane X; PIPE 4.3 signal "RX Termination" (Sec 6.1, PIPE 4.3). When asserted, the RX terminations are enabled.
4	RW	0x0	rxX_disable RX disable control for lane X. This is a side-band signal that a PIPE 4.2 controller needs to enter and exit P1.1 and P1.2 power states. When asserted, all RX lane circuitry (including RX Electrical Idle Exit Detection) for lane X is disabled. When integrating with a PIPE 4.3 controller, pcs_rxX_disable must be set to 0. For P1.1 and P1.2 entry and exit sequences, see "PCIe L1 Substate Transitions" section.
3	RW	0x0	rxX_eb_empty_mode I Elastic buffer mode for lane X; PIPE 4.3 signal "Elasticity Buffer Mode" (Sec 6.1, PIPE 4.3). Selects Elasticity Buffer operating mode. 1'b0: Nominal Half-Full Buffer mode 1'b1: Hybrid Pipe Buffer Mode Note: Any change to this input must be followed by phy_reset assertion.

Bit	Attr	Reset Value	Description
2	RW	0x0	txX_compliance TX compliance for lane X; PIPE 4.3 signal "TxCompliance" (Sec 6.1,PIPE 4.3). Sets the running disparity to negative.
1	RW	0x0	txX_elecidle TX electrical idle enable for lane X; PIPE 4.3 signal "TxElecIdle" (Sec 6.1, PIPE 4.3). When asserted (except during loopback), forces TX output to electrical idle.
0	RW	0x0	txX_disable Transmitter disable. This is a side-band signal that a PIPE 4.2 controller needs to enter and exit P1.2 power state. When asserted, the TX common mode for lane X is disabled. When integrating with a PIPE 4.3 controller, pcs_txX_disable must be set to 0. For P1.2 entry and exit sequences, see "PCIe L1 Substate Transitions" section.

**PCIe3PHY GRF PHY0 LN1 CON2**

Address: Operational Base + offset (0x1108)

Bit	Attr	Reset Value	Description
31:16	WO	0x0000	write_enable Write enable for lower 16bits, each bit is individual. 1'b0: Write access disable 1'b1: Write access enable
15:6	RO	0x000	reserved
5:0	RW	0x00	rxX_idle_los_cnt_g1 These pins provide a control to disable the CDR in PCIE GEN1 mode when there is electrical idle on rx line without EIOS. It is recommended that you control this signal in your SoC register with default value 000000 (disabled). Note: When 000000, the feature is disabled. The other values decide the duration of electrical idle which should be conceived as EIOS by PHY in terms of PCS_CLK.

**PCIe3PHY GRF PHY0 LN1 CON3**

Address: Operational Base + offset (0x110C)

Bit	Attr	Reset Value	Description
31:1	RO	0x00000000	reserved
0	RW	0x0	reserved reserved

**PCIe3PHY GRF PHY0 LN1 CON4**

Address: Operational Base + offset (0x1110)

Bit	Attr	Reset Value	Description
31:16	WO	0x0000	write_enable Write enable for lower 16bits, each bit is individual. 1'b0: Write access disable 1'b1: Write access enable
15:7	RO	0x000	reserved
6	RW	0x0	sel_rxX_standby Override enable for rxX_standby. 1'b0: PIPE signal from controller 1'b1: PIPE signal from PCIe30 PHY GRF

Bit	Attr	Reset Value	Description
5	RW	0x0	sel_rxX_disable Override enable for rxX_disable. 1'b0: PIPE signal from controller 1'b1: PIPE signal from PCIe30 PHY GRF
4	RW	0x0	sel_rxX_eb_empty_mode Override enable for rxX_eb_empty_mode. 1'b0: PIPE signal from controller 1'b1: PIPE signal from PCIe30 PHY GRF
3	RW	0x0	sel_txX_compliance Override enable for txX_compliance. 1'b0: PIPE signal from controller 1'b1: PIPE signal from PCIe30 PHY GRF
2	RW	0x0	sel_txX_elecidle Override enable for txX_elecidle. 1'b0: PIPE signal from controller 1'b1: PIPE signal from PCIe30 PHY GRF
1	RW	0x0	sel_txX_disable Override enable for txX_disable. 1'b0: PIPE signal from controller 1'b1: PIPE signal from PCIe30 PHY GRF
0	RW	0x0	sel_powerdown Override enable for powerdown. 1'b0: PIPE signal from controller 1'b1: PIPE signal from PCIe30 PHY GRF

**PCIe3PHY GRF PHY1 LN0 CON0**

Address: Operational Base + offset (0x2000)

Bit	Attr	Reset Value	Description
31:16	WO	0x0000	write_enable Write enable for lower 16bits, each bit is individual. 1'b0: Write access disable 1'b1: Write access enable
15:12	RO	0x0	reserved
11:8	RW	0x3	powerdown Power state for lane X; PIPE 4.3 signal "PowerDown[3:0]" (Sec 6.1, PIPE 4.3). Controls the PHY power states. The power-state mapping is as follows: 4'h0: P0 4'h1: P0s 4'h2: P1 4'h3: P2 4'h4: P1.CPM 4'h5: P1.1 4'h6: P1.2 4'h7: P2.CPM For information about power state transitions, see "Power State Transitions" section.
7	RO	0x0	reserved

Bit	Attr	Reset Value	Description
6	RW	0x0	clkreq_n Clock request for lane X. This is a side-band signal that a PIPE 4.2 controller needs to enter and exit P1.CPM, P1.1, and P1.2 power states. For information about using this signal, see "PCIe L1 Substate Transitions" section. When integrating with a PIPE 4.3-compliant controller, set this input to an asserted value of 0.
5	RW	0x0	tx2rx_loopbk TX-to-RX loopback enable for lane X. When asserted, this input turns on the TX-to-RX serial loopback within the PHY. This signal is for debug purposes only.
4	RW	0x1	mpll_mode Reserved
3:0	RW	0x0	lane0_link_num Reserved

**PCIe3PHY GRF PHY1 LN0 CON1**

Address: Operational Base + offset (0x2004)

Bit	Attr	Reset Value	Description
31:16	WO	0x0000	write_enable Write enable for lower 16bits, each bit is individual. 1'b0: Write access disable 1'b1: Write access enable
15:9	RO	0x00	reserved
8	RW	0x0	rxX_standby RX standby enable for lane X; PIPE 4.3 signal "RxStandby" (Sec 6.1, PIPE 4.3). When asserted, the RX CDR for lane X is disabled.
7	RW	0x1	rxX_cmn_refclk_mode RX common reference clock mode for lane X. This mode should be enabled only when the far-end and near-end devices are running with a common reference clock. When asserted, this input configures the elastic buffer to operate in the lowest latency mode. Note: SKP symbol manipulation is disabled in this mode, because SKP symbol manipulation is not needed when the reference clock is common between near-end and far-end (that is, local clock and recovered clock have the same frequency). Any change to this input must be followed by phy_reset assertion.
6	RW	0x0	rxX_sris_mode_en RX SRIS ECM mode enable for lane X. When asserted, this input configures the PHY CDR and the elastic buffer to recover Independent Spread Spectrum Data. Note: Any change to this input must be followed by phy_reset assertion.
5	RW	0x1	rxX_termination RX termination enable for lane X; PIPE 4.3 signal "RX Termination" (Sec 6.1, PIPE 4.3). When asserted, the RX terminations are enabled.

Bit	Attr	Reset Value	Description
4	RW	0x0	<p>rxX_disable RX disable control for lane X. This is a side-band signal that a PIPE 4.2 controller needs to enter and exit P1.1 and P1.2 power states. When asserted, all RX lane circuitry (including RX Electrical Idle Exit Detection) for lane X is disabled. When integrating with a PIPE 4.3 controller, pcs_rxX_disable must be set to 0. For P1.1 and P1.2 entry and exit sequences, see "PCIe L1 Substate Transitions" section.</p>
3	RW	0x0	<p>rxX_eb_empty_mode I Elastic buffer mode for lane X; PIPE 4.3 signal "Elasticity Buffer Mode" (Sec 6.1, PIPE 4.3). Selects Elasticity Buffer operating mode. 1'b0: Nominal Half-Full Buffer mode 1'b1: Hybrid Pipe Buffer Mode Note: Any change to this input must be followed by phy_reset assertion.</p>
2	RW	0x0	<p>txX_compliance TX compliance for lane X; PIPE 4.3 signal "TxCompliance" (Sec 6.1, PIPE 4.3). Sets the running disparity to negative.</p>
1	RW	0x0	<p>txX_eleidle TX electrical idle enable for lane X; PIPE 4.3 signal "TxElecIdle" (Sec 6.1, PIPE 4.3). When asserted (except during loopback), forces TX output to electrical idle.</p>
0	RW	0x0	<p>txX_disable Transmitter disable. This is a side-band signal that a PIPE 4.2 controller needs to enter and exit P1.2 power state. When asserted, the TX common mode for lane X is disabled. When integrating with a PIPE 4.3 controller, pcs_txX_disable must be set to 0. For P1.2 entry and exit sequences, see "PCIe L1 Substate Transitions" section.</p>

**PCIe3PHY GRF PHY1 LN0 CON2**

Address: Operational Base + offset (0x2008)

Bit	Attr	Reset Value	Description
31:16	WO	0x0000	<p>write_enable Write enable for lower 16bits, each bit is individual. 1'b0: Write access disable 1'b1: Write access enable</p>
15:6	RO	0x000	reserved
5:0	RW	0x00	<p>rxX_idle_los_cnt_g1 These pins provide a control to disable the CDR in PCIE GEN1 mode when there is electrical idle on rx line without EIOS. It is recommended that you control this signal in your SoC register with default value 000000 (disabled). Note: When 000000, the feature is disabled. The other values decide the duration of electrical idle which should be conceived as EIOS by PHY in terms of PCS_CLK.</p>

**PCIe3PHY GRF PHY1 LN0 CON3**

**RK3588 TRM-Part1**

Address: Operational Base + offset (0x200C)

Bit	Attr	Reset Value	Description
31:1	RO	0x00000000	reserved
0	RW	0x0	reserved reserved

**PCIe3PHY GRF PHY1 LN0 CON4**

Address: Operational Base + offset (0x2010)

Bit	Attr	Reset Value	Description
31:16	WO	0x0000	write_enable Write enable for lower 16bits, each bit is individual. 1'b0: Write access disable 1'b1: Write access enable
15:7	RO	0x000	reserved
6	RW	0x0	sel_rxX_standby Override enable for rxX_standby. 1'b0: PIPE signal from controller 1'b1: PIPE signal from PCIe30 PHY GRF
5	RW	0x0	sel_rxX_disable Override enable for rxX_disable. 1'b0: PIPE signal from controller 1'b1: PIPE signal from PCIe30 PHY GRF
4	RW	0x0	sel_rxX_eb_empty_mode Override enable for rxX_eb_empty_mode. 1'b0: PIPE signal from controller 1'b1: PIPE signal from PCIe30 PHY GRF
3	RW	0x0	sel_txX_compliance Override enable for txX_compliance. 1'b0: PIPE signal from controller 1'b1: PIPE signal from PCIe30 PHY GRF
2	RW	0x0	sel_txX_elecidle Override enable for txX_elecidle. 1'b0: PIPE signal from controller 1'b1: PIPE signal from PCIe30 PHY GRF
1	RW	0x0	sel_txX_disable Override enable for txX_disable. 1'b0: PIPE signal from controller 1'b1: PIPE signal from PCIe30 PHY GRF
0	RW	0x0	sel_powerdown Override enable for powerdown. 1'b0: PIPE signal from controller 1'b1: PIPE signal from PCIe30 PHY GRF

**PCIe3PHY GRF PHY1 LN1 CON0**

Address: Operational Base + offset (0x2100)

Bit	Attr	Reset Value	Description
31:16	WO	0x0000	write_enable Write enable for lower 16bits, each bit is individual. 1'b0: Write access disable 1'b1: Write access enable
15:12	RO	0x0	reserved

Bit	Attr	Reset Value	Description
11:8	RW	0x3	<p>powerdown Power state for lane X; PIPE 4.3 signal "PowerDown[3:0]" (Sec 6.1, PIPE 4.3). Controls the PHY power states. The power-state mapping is as follows: 4'h0: P0 4'h1: P0s 4'h2: P1 4'h3: P2 4'h4: P1.CPM 4'h5: P1.1 4'h6: P1.2 4'h7: P2.CPM For information about power state transitions, see "Power State Transitions" section.</p>
7	RO	0x0	reserved
6	RW	0x0	<p>clkreq_n Clock request for lane X. This is a side-band signal that a PIPE 4.2 controller needs to enter and exit P1.CPM, P1.1, and P1.2 power states. For information about using this signal, see "PCIe L1 Substate Transitions" section. When integrating with a PIPE 4.3-compliant controller, set this input to an asserted value of 0.</p>
5	RW	0x0	<p>tx2rx_loopbk TX-to-RX loopback enable for lane X. When asserted, this input turns on the TX-to-RX serial loopback within the PHY. This signal is for debug purposes only.</p>
4	RW	0x1	<p>mpll_mode Reserved</p>
3:0	RW	0x0	<p>lane0_link_num Reserved</p>

**PCIe3PHY GRF PHY1 LN1 CON1**

Address: Operational Base + offset (0x2104)

Bit	Attr	Reset Value	Description
31:16	WO	0x0000	<p>write_enable Write enable for lower 16bits, each bit is individual. 1'b0: Write access disable 1'b1: Write access enable</p>
15:9	RO	0x00	reserved
8	RW	0x0	<p>rxX_standby RX standby enable for lane X; PIPE 4.3 signal "RxStandby" (Sec 6.1, PIPE 4.3). When asserted, the RX CDR for lane X is disabled.</p>



Bit	Attr	Reset Value	Description
7	RW	0x1	<p>rxX_cmn_refclk_mode RX common reference clock mode for lane X. This mode should be enabled only when the far-end and near-end devices are running with a common reference clock. When asserted, this input configures the elastic buffer to operate in the lowest latency mode. Note: SKP symbol manipulation is disabled in this mode, because SKP symbol manipulation is not needed when the reference clock is common between near-end and far-end (that is, local clock and recovered clock have the same frequency). Any change to this input must be followed by phy_reset assertion.</p>
6	RW	0x0	<p>rxX_sris_mode_en RX SRIS ECM mode enable for lane X. When asserted, this input configures the PHY CDR and the elastic buffer to recover Independent Spread Spectrum Data. Note: Any change to this input must be followed by phy_reset assertion.</p>
5	RW	0x1	<p>rxX_termination RX termination enable for lane X; PIPE 4.3 signal "RX Termination" (Sec 6.1, PIPE 4.3). When asserted, the RX terminations are enabled.</p>
4	RW	0x0	<p>rxX_disable RX disable control for lane X. This is a side-band signal that a PIPE 4.2 controller needs to enter and exit P1.1 and P1.2 power states. When asserted, all RX lane circuitry (including RX Electrical Idle Exit Detection) for lane X is disabled. When integrating with a PIPE 4.3 controller, pcs_rxX_disable must be set to 0. For P1.1 and P1.2 entry and exit sequences, see "PCIe L1 Substate Transitions" section.</p>
3	RW	0x0	<p>rxX_eb_empty_mode I Elastic buffer mode for lane X; PIPE 4.3 signal "Elasticity Buffer Mode" (Sec 6.1, PIPE 4.3). Selects Elasticity Buffer operating mode. 1'b0: Nominal Half-Full Buffer mode 1'b1: Hybrid Pipe Buffer Mode Note: Any change to this input must be followed by phy_reset assertion.</p>
2	RW	0x0	<p>txX_compliance TX compliance for lane X; PIPE 4.3 signal "TxCompliance" (Sec 6.1, PIPE 4.3). Sets the running disparity to negative.</p>
1	RW	0x0	<p>txX_eleidle TX electrical idle enable for lane X; PIPE 4.3 signal "TxElecIdle" (Sec 6.1, PIPE 4.3). When asserted (except during loopback), forces TX output to electrical idle.</p>

Bit	Attr	Reset Value	Description
0	RW	0x0	txX_disable Transmitter disable. This is a side-band signal that a PIPE 4.2 controller needs to enter and exit P1.2 power state. When asserted, the TX common mode for lane X is disabled. When integrating with a PIPE 4.3 controller, pcs_txX_disable must be set to 0. For P1.2 entry and exit sequences, see "PCIe L1 Substate Transitions" section.

**PCIe3PHY GRF PHY1 LN1 CON2**

Address: Operational Base + offset (0x2108)

Bit	Attr	Reset Value	Description
31:16	WO	0x0000	write_enable Write enable for lower 16bits, each bit is individual. 1'b0: Write access disable 1'b1: Write access enable
15:6	RO	0x000	reserved
5:0	RW	0x00	rxX_idle_los_cnt_g1 These pins provide a control to disable the CDR in PCIE GEN1 mode when there is electrical idle on rx line without EIOS. It is recommended that you control this signal in your SoC register with default value 000000 (disabled). Note: When 000000, the feature is disabled. The other values decide the duration of electrical idle which should be conceived as EIOS by PHY in terms of PCS_CLK.

**PCIe3PHY GRF PHY1 LN1 CON3**

Address: Operational Base + offset (0x210C)

Bit	Attr	Reset Value	Description
31:1	RO	0x00000000	reserved
0	RW	0x0	reserved reserved

**PCIe3PHY GRF PHY1 LN1 CON4**

Address: Operational Base + offset (0x2110)

Bit	Attr	Reset Value	Description
31:16	WO	0x0000	write_enable Write enable for lower 16bits, each bit is individual. 1'b0: Write access disable 1'b1: Write access enable
15:7	RO	0x000	reserved
6	RW	0x0	sel_rxX_standby Override enable for rxX_standby. 1'b0: PIPE signal from controller 1'b1: PIPE signal from PCIe30 PHY GRF
5	RW	0x0	sel_rxX_disable Override enable for rxX_disable. 1'b0: PIPE signal from controller 1'b1: PIPE signal from PCIe30 PHY GRF
4	RW	0x0	sel_rxX_eb_empty_mode Override enable for rxX_eb_empty_mode. 1'b0: PIPE signal from controller 1'b1: PIPE signal from PCIe30 PHY GRF

Bit	Attr	Reset Value	Description
3	RW	0x0	sel_txX_compliance Override enable for txX_compliance. 1'b0: PIPE signal from controller 1'b1: PIPE signal from PCIe30 PHY GRF
2	RW	0x0	sel_txX_elecidle Override enable for txX_elecidle. 1'b0: PIPE signal from controller 1'b1: PIPE signal from PCIe30 PHY GRF
1	RW	0x0	sel_txX_disable Override enable for txX_disable. 1'b0: PIPE signal from controller 1'b1: PIPE signal from PCIe30 PHY GRF
0	RW	0x0	sel_powerdown Override enable for powerdown. 1'b0: PIPE signal from controller 1'b1: PIPE signal from PCIe30 PHY GRF

**PCIe3PHY GRF PRT0 CON0**

Address: Operational Base + offset (0x3000)

Bit	Attr	Reset Value	Description
31:16	WO	0x0000	write_enable Write enable for lower 16bits, each bit is individual. 1'b0: Write access disable 1'b1: Write access enable
15:0	RW	0x0000	ext_mplla_bandwidth protocolP_ext_mplla_bandwidth is a PHY configuration setting perprotocol. External overrides for the per-protocol settings of the PHY configuration inputs. (For per-protocol settings to configure the PHY, refer to the PHY databook, "PHY Usage and Configuration" chapter). The PCS 3.0 internally determines the hard-coded optimal settings for each protocol. However, these settings can be overwritten on a per-protocol basis from these top-level pins when phy_ext_ctrl_sel input is asserted. The protocolP signals correspond to the pcs_laneX_protocol[1:0] value of 00, 01, 10, respectively. Note: Because protocol1 supports only two rates, protocol1_ext_*_g3 inputs are not provided.

**PCIe3PHY GRF PRT0 CON1**

Address: Operational Base + offset (0x3004)

Bit	Attr	Reset Value	Description
31:16	WO	0x0000	write_enable Write enable for lower 16bits, each bit is individual. 1'b0: Write access disable 1'b1: Write access enable
15:7	RO	0x000	reserved

Bit	Attr	Reset Value	Description
6	RW	0x0	ext_bs_rx_lowswing protocolP_ext_bs_tx_lowswing is TX/RX boundary scan swing/level settings. Sets the boundary scan swing and level settings for the PHY. These inputs are selected irrespective of the phy_ext_ctrl_sel setting. For recommended values, see PHY databook, "PHY Usage and Configuration" chapter.
5	RW	0x0	ext_bs_rx_bigswing protocolP_ext_bs_rx_bigswing is TX/RX boundary scan swing/level settings. Sets the boundary scan swing and level settings for the PHY. These inputs are selected irrespective of the phy_ext_ctrl_sel setting. For recommended values, see PHY databook, "PHY Usage and Configuration" chapter.
4:0	RW	0x00	ext_bs_rx_level protocolP_ext_bs_rx_level is TX/RX boundary scan swing/level settings. Sets the boundary scan swing and level settings for the PHY. These inputs are selected irrespective of the phy_ext_ctrl_sel setting. For recommended values, see PHY databook, "PHY Usage and Configuration" chapter.

**PCIe3PHY GRF PRT0 CON2**

Address: Operational Base + offset (0x3008)

Bit	Attr	Reset Value	Description
31:16	WO	0x0000	write_enable Write enable for lower 16bits, each bit is individual. 1'b0: Write access disable 1'b1: Write access enable
15:11	RO	0x00	reserved
10	RW	0x0	ext_mplla_div_clk_en protocolP_ext_mplla_div_clk_en is PHY configuration setting perprotocol. External overrides for the per-protocol settings of the PHY configuration inputs. (For per-protocol settings to configure the PHY, refer to the PHY databook, "PHY Usage and Configuration" chapter). The PCS 3.0 internally determines the hard-coded optimal settings for each protocol. However, these settings can be overwritten on a per-protocol basis from these top-level pins when phy_ext_ctrl_sel input is asserted. The protocolP signals correspond to the pcs_laneX_protocol[1:0] value of 00, 01, 10, respectively. Note: Because protocol1 supports only two rates, protocol1_ext_*_g3 inputs are not provided.

Bit	Attr	Reset Value	Description
9	RW	0x0	<p>ext_mplla_div8_clk_en protocolP_ext_mplla_div8_clk_en is PHY configuration setting perprotocol. External overrides for the per-protocol settings of the PHY configuration inputs. (For per-protocol settings to configure the PHY, refer to the PHY databook, "PHY Usage and Configuration" chapter). The PCS 3.0 internally determines the hard-coded optimal settings for each protocol. However, these settings can be overwritten on a per-protocol basis from these top-level pins when phy_ext_ctrl_sel input is asserted. The protocolP signals correspond to the pcs_laneX_protocol[1:0] value of 00, 01, 10, respectively. Note: Because protocol1 supports only two rates, protocol1_ext*_g3 inputs are not provided.</p>
8	RW	0x0	<p>ext_mplla_div10_clk_en protocolP_ext_mplla_div10_clk_en is PHY configuration setting perprotocol. External overrides for the per-protocol settings of the PHY configuration inputs. (For per-protocol settings to configure the PHY, refer to the PHY databook, "PHY Usage and Configuration" chapter). The PCS 3.0 internally determines the hard-coded optimal settings for each protocol. However, these settings can be overwritten on a per-protocol basis from these top-level pins when phy_ext_ctrl_sel input is asserted. The protocolP signals correspond to the pcs_laneX_protocol[1:0] value of 00, 01, 10, respectively. Note: Because protocol1 supports only two rates, protocol1_ext*_g3 inputs are not provided.</p>
7:0	RW	0x00	<p>ext_mplla_div_multiplier protocolP_ext_mplla_div_multiplier is PHY configuration setting perprotocol. External overrides for the per-protocol settings of the PHY configuration inputs. (For per-protocol settings to configure the PHY, refer to the PHY databook, "PHY Usage and Configuration" chapter). The PCS 3.0 internally determines the hard-coded optimal settings for each protocol. However, these settings can be overwritten on a per-protocol basis from these top-level pins when phy_ext_ctrl_sel input is asserted. The protocolP signals correspond to the pcs_laneX_protocol[1:0] value of 00, 01, 10, respectively. Note: Because protocol1 supports only two rates, protocol1_ext*_g3 inputs are not provided.</p>

**PCIe3PHY GRF PRT0 CON3**

Address: Operational Base + offset (0x300C)

Bit	Attr	Reset Value	Description
31:16	WO	0x0000	<p>write_enable Write enable for lower 16bits, each bit is individual. 1'b0: Write access disable 1'b1: Write access enable</p>
15:11	RO	0x00	reserved

Bit	Attr	Reset Value	Description
10:0	RW	0x000	<p>ext_mplla_fracn_ctrl protocolP_ext_mplla_fracn_ctrl is a PHY configuration setting perprotocol. External overrides for the per-protocol settings of the PHY configuration inputs. (For per-protocol settings to configure the PHY, refer to the PHY databook, "PHY Usage and Configuration" chapter). The PCS 3.0 internally determines the hard-coded optimal settings for each protocol. However, these settings can be overwritten on a per-protocol basis from these top-level pins when phy_ext_ctrl_sel input is asserted. The protocolP signal correspond to the pcs_laneX_protocol[1:0] value of 00, 01, 10, respectively. Note: Because protocol1 supports only two rates, protocol1_ext*_g3 inputs are not provided.</p>

**PCIe3PHY GRF PRT0 CON4**

Address: Operational Base + offset (0x3010)

Bit	Attr	Reset Value	Description
31:16	WO	0x0000	<p>write_enable Write enable for lower 16bits, each bit is individual. 1'b0: Write access disable 1'b1: Write access enable</p>
15:11	RO	0x00	reserved
10:8	RW	0x0	<p>ext_mplla_ssc_clk_sel protocolP_ext_mplla_ssc_clk_sel is a PHY configuration setting perprotocol. External overrides for the per-protocol settings of the PHY configuration inputs. (For per-protocol settings to configure the PHY, refer to the PHY databook, "PHY Usage and Configuration" chapter). The PCS 3.0 internally determines the hard-coded optimal settings for each protocol. However, these settings can be overwritten on a per-protocol basis from these top-level pins when phy_ext_ctrl_sel input is asserted. The protocolP signal correspond to the pcs_laneX_protocol[1:0] value of 00, 01, 10, respectively. Note: Because protocol1 supports only two rates, protocol1_ext*_g3 inputs are not provided.</p>
7:0	RW	0x00	<p>ext_mplla_multiplier protocolP_ext_mplla_multiplier is PHY configuration setting perprotocol. External overrides for the per-protocol settings of the PHY configuration inputs. (For per-protocol settings to configure the PHY, refer to the PHY databook, "PHY Usage and Configuration" chapter). The PCS 3.0 internally determines the hard-coded optimal settings for each protocol. However, these settings can be overwritten on a per-protocol basis from these top-level pins when phy_ext_ctrl_sel input is asserted. The protocolP signals correspond to the pcs_laneX_protocol[1:0] value of 00, 01, 10, respectively. Note: Because protocol1 supports only two rates, protocol1_ext*_g3 inputs are not provided.</p>

**PCIe3PHY GRF PRT0 CON5**

Address: Operational Base + offset (0x3014)

Bit	Attr	Reset Value	Description
31:16	WO	0x0000	write_enable Write enable for lower 16bits, each bit is individual. 1'b0: Write access disable 1'b1: Write access enable
15	RW	0x0	ext_mplla_ssc_freq_cnt_ovrd_en protocolP_ext_mplla_ssc_freq_cnt_ovrd_en are MPLL frequency controls. protocol*_ext_mpll{a,b}_ssc_freq_cnt_ovrd_en settings are independent of phy_ext_ctrl_sel. Based on protocol*_ext_mplla_ssc_freq_cnt_ovrd_en, these settings are generated from internally generated values (from a LUT for SSC) in RAW PCS or from respective protocol* signals. For recommended values, see PHY databook, "PHY Usage and Configuration" chapter.
14:12	RW	0x0	ext_mplla_ssc_range protocolP_ext_mplla_ssc_range is a PHY configuration setting perprotocol. External overrides for the per-protocol settings of the PHY configuration inputs. (For per-protocol settings to configure the PHY, refer to the PHY databook, "PHY Usage and Configuration" chapter). The PCS 3.0 internally determines the hard-coded optimal settings for each protocol. However, these settings can be overwritten on a per-protocol basis from these top-level pins when phy_ext_ctrl_sel input is asserted. The protocolP signals correspond to the pcs_laneX_protocol[1:0] value of 00, 01, 10, respectively. Note: Because protocol1 supports only two rates, protocol1_ext*_g3 inputs are not provided.
11:0	RW	0x000	ext_mplla_ssc_freq_cnt_init protocolP_ext_mplla_ssc_freq_cnt_init[11:0] is PHY configuration setting per-protocol. External overrides for the per-protocol settings of the PHY configuration inputs. (For per-protocol settings to configure the PHY, refer to the PHY databook, "PHY Usage and Configuration"chapter). The PCS 3.0 internally determines the hard-coded optimal settings for each protocol. However, these settings can be overwritten on a per-protocol basis from these top-level pins when phy_ext_ctrl_sel input is asserted. The protocolP signal correspond to the pcs_laneX_protocol[1:0] value of 00, 01, 10, respectively. Note: Because protocol1 supports only two rates, protocol1_ext*_g3 inputs are not provided.

**PCIe3PHY GRF PRT0 CON6**

Address: Operational Base + offset (0x3018)

Bit	Attr	Reset Value	Description
31:16	WO	0x0000	write_enable Write enable for lower 16bits, each bit is individual. 1'b0: Write access disable 1'b1: Write access enable
15:13	RO	0x0	reserved

Bit	Attr	Reset Value	Description
12	RW	0x0	<p>ext_mplla_word_div2_en protocolP_ext_mplla_word_div2_en is a PHY configuration setting per-protocol. External overrides for the per-protocol settings of the PHY configuration inputs. (For per-protocol settings to configure the PHY, refer to the PHY databook, "PHY Usage and Configuration" chapter.) The PCS 3.0 internally determines the hard-coded optimal settings for each protocol. However, these settings can be overwritten on a per-protocol basis from these top-level pins when phy_ext_ctrl_sel input is asserted. The protocolP signals correspond to the pcs_laneX_protocol[1:0] value of 00, 01, 10, respectively. Note: Because protocol1 supports only two rates, protocol1_ext*_g3 inputs are not provided.</p>
11	RO	0x0	reserved
10:8	RW	0x0	<p>ext_mplla_tx_clk_div protocolP_ext_mplla_tx_clk_div is PHY configuration setting per protocol. External overrides for the per-protocol settings of the PHY configuration inputs. (For per-protocol settings to configure the PHY, refer to the PHY databook, "PHY Usage and Configuration" chapter). The PCS 3.0 internally determines the hard-coded optimal settings for each protocol. However, these settings can be overwritten on a per-protocol basis from these top-level pins when phy_ext_ctrl_sel input is asserted. The protocolP signals correspond to the pcs_laneX_protocol[1:0] value of 00, 01, 10, respectively. Note: Because protocol1 supports only two rates, protocol1_ext*_g3 inputs are not provided.</p>
7:0	RW	0x00	<p>ext_mplla_ssc_freq_cnt_peak protocolP_ext_mplla_ssc_freq_cnt_peak[7:0] is PHY configuration setting per-protocol. External overrides for the per-protocol settings of the PHY configuration inputs. (For per-protocol settings to configure the PHY, refer to the Cores PHY databook, "PHY Usage and Configuration" chapter). The PCS 3.0 internally determines the hard-coded optimal settings for each protocol. However, these settings can be overwritten on a per-protocol basis from these top-level pins when phy_ext_ctrl_sel input is asserted. The protocolP signal correspond to the pcs_laneX_protocol[1:0] value of 00, 01, 10, respectively. Note: Because protocol1 supports only two rates, protocol1_ext*_g3 inputs are not provided.</p>

**PCIe3PHY\_GRP\_PRT0\_CON7**

Address: Operational Base + offset (0x301C)

Bit	Attr	Reset Value	Description
31:16	WO	0x0000	<p>write_enable Write enable for lower 16bits, each bit is individual. 1'b0: Write access disable 1'b1: Write access enable</p>



Bit	Attr	Reset Value	Description
15:0	RW	0x0000	<p>ext_mpllbandwidth protocolP_ext_mpllbandwidth is a PHY configuration setting per-protocol. External overrides for the per-protocol settings of the PHY configuration inputs. (For per-protocol settings to configure the PHY, refer to the PHY databook, "PHY Usage and Configuration" chapter). The PCS 3.0 internally determines the hard-coded optimal settings for each protocol. However, these settings can be overwritten on a per-protocol basis from these top-level pins when phy_ext_ctrl_sel input is asserted. The protocolP signals correspond to the pcs_laneX_protocol[1:0] value of 00, 01, 10, respectively. Note: Because protocol1 supports only two rates, protocol1_ext*_g3 inputs are not provided.</p>

**PCIe3PHY GRF PRT0 CON8**

Address: Operational Base + offset (0x3020)

Bit	Attr	Reset Value	Description
31:16	WO	0x0000	<p>write_enable Write enable for lower 16bits, each bit is individual. 1'b0: Write access disable 1'b1: Write access enable</p>
15:11	RO	0x00	reserved
10	RW	0x0	<p>ext_mpllbandwidth protocolP_ext_mpllbandwidth is PHY configuration setting perprotocol. External overrides for the per-protocol settings of the PHY configuration inputs. (For per-protocol settings to configure the PHY, refer to the PHY databook, "PHY Usage and Configuration" chapter). The PCS 3.0 internally determines the hard-coded optimal settings for each protocol. However, these settings can be overwritten on a per-protocol basis from these top-level pins when phy_ext_ctrl_sel input is asserted. The protocolP signals correspond to the pcs_laneX_protocol[1:0] value of 00, 01, 10, respectively. Note: Because protocol1 supports only two rates, protocol1_ext*_g3 inputs are not provided.</p>
9	RW	0x0	<p>ext_mpllbandwidth8 protocolP_ext_mpllbandwidth8 is PHY configuration setting perprotocol. External overrides for the per-protocol settings of the PHY configuration inputs. (For per-protocol settings to configure the PHY, refer to the PHY databook, "PHY Usage and Configuration" chapter). The PCS 3.0 internally determines the hard-coded optimal settings for each protocol. However, these settings can be overwritten on a per-protocol basis from these top-level pins when phy_ext_ctrl_sel input is asserted. The protocolP signals correspond to the pcs_laneX_protocol[1:0] value of 00, 01, 10, respectively. Note: Because protocol1 supports only two rates, protocol1_ext*_g3 inputs are not provided.</p>

Bit	Attr	Reset Value	Description
8	RW	0x0	<p>ext_mpll_div10_clk_en protocolP_ext_mpll_div10_clk_en is PHY configuration setting perprotocol. External overrides for the per-protocol settings of the PHY configuration inputs. (For per-protocol settings to configure the PHY, refer to the PHY databook, "PHY Usage and Configuration" chapter). The PCS 3.0 internally determines the hard-coded optimal settings for each protocol. However, these settings can be overwritten on a per-protocol basis from these top-level pins when phy_ext_ctrl_sel input is asserted. The protocolP signals correspond to the pcs_laneX_protocol[1:0] value of 00, 01, 10, respectively. Note: Because protocol1 supports only two rates, protocol1_ext*_g3 inputs are not provided.</p>
7:0	RW	0x00	<p>ext_mpll_div_multiplier protocolP_ext_mpll_div_multiplier is PHY configuration setting perprotocol. External overrides for the per-protocol settings of the PHY configuration inputs. (For per-protocol settings to configure the PHY, refer to the PHY databook, "PHY Usage and Configuration" chapter). The PCS 3.0 internally determines the hard-coded optimal settings for each protocol. However, these settings can be overwritten on a per-protocol basis from these top-level pins when phy_ext_ctrl_sel input is asserted. The protocolP signals correspond to the pcs_laneX_protocol[1:0] value of 00, 01, 10, respectively. Note: Because protocol1 supports only two rates, protocol1_ext*_g3 inputs are not provided.</p>

**PCIe3PHY GRF PRT0 CON9**

Address: Operational Base + offset (0x3024)

Bit	Attr	Reset Value	Description
31:16	WO	0x0000	<p>write_enable Write enable for lower 16bits, each bit is individual. 1'b0: Write access disable 1'b1: Write access enable</p>
15:11	RO	0x00	reserved
10:0	RW	0x000	<p>ext_mpll_fracn_ctrl protocolP_ext_mpll_fracn_ctrl is a PHY configuration setting perprotocol. External overrides for the per-protocol settings of the PHY configuration inputs. (For per-protocol settings to configure the PHY, refer to the PHY databook, "PHY Usage and Configuration" chapter). The PCS 3.0 internally determines the hard-coded optimal settings for each protocol. However, these settings can be overwritten on a per-protocol basis from these top-level pins when phy_ext_ctrl_sel input is asserted. The protocolP signal correspond to the pcs_laneX_protocol[1:0] value of 00, 01, 10, respectively. Note: Because protocol1 supports only two rates, protocol1_ext*_g3 inputs are not provided.</p>

**PCIe3PHY GRF PRT0 CON10**

**RK3588 TRM-Part1**

Address: Operational Base + offset (0x3028)

Bit	Attr	Reset Value	Description
31:16	WO	0x0000	write_enable Write enable for lower 16bits, each bit is individual. 1'b0: Write access disable 1'b1: Write access enable
15:11	RO	0x00	reserved
10:8	RW	0x0	ext_mpll_b_ssc_clk_sel protocolP_ext_mpll_b_ssc_clk_sel is a PHY configuration setting perprotocol. External overrides for the per-protocol settings of the PHY configuration inputs. (For per-protocol settings to configure the PHY, refer to the PHY databook, "PHY Usage and Configuration" chapter). The PCS 3.0 internally determines the hard-coded optimal settings for each protocol. However, these settings can be overwritten on a per-protocol basis from these top-level pins when phy_ext_ctrl_sel input is asserted. The protocolP signal correspond to the pcs_laneX_protocol[1:0] value of 00, 01, 10, respectively. Note: Because protocol1 supports only two rates, protocol1_ext*_g3 inputs are not provided.
7:0	RW	0x00	ext_mpll_b_multiplier protocolP_ext_mpll_b_multiplier is PHY configuration setting perprotocol. External overrides for the per-protocol settings of the PHY configuration inputs. (For per-protocol settings to configure the PHY, refer to the PHY databook, "PHY Usage and Configuration" chapter). The PCS 3.0 internally determines the hard-coded optimal settings for each protocol. However, these settings can be overwritten on a per-protocol basis from these top-level pins when phy_ext_ctrl_sel input is asserted. The protocolP signals correspond to the pcs_laneX_protocol[1:0] value of 00, 01, 10, respectively. Note: Because protocol1 supports only two rates, protocol1_ext*_g3 inputs are not provided.

**PCIe3PHY GRF PRT0 CON11**

Address: Operational Base + offset (0x302C)

Bit	Attr	Reset Value	Description
31:16	WO	0x0000	write_enable Write enable for lower 16bits, each bit is individual. 1'b0: Write access disable 1'b1: Write access enable
15	RW	0x0	ext_mpll_b_ssc_freq_cnt_ovrd_en protocolP_ext_mpll_b_ssc_freq_cnt_ovrd_en are MPLL frequency controls. protocol*_ext_mpll{a,b}_ssc_freq_cnt_ovrd_en settings are independent of phy_ext_ctrl_sel. Based on protocol*_ext_mpll_b_ssc_freq_cnt_ovrd_en, these settings are generated from internally generated values (from a LUT for SSC) in RAW PCS or from respective protocol* signals. For recommended values, see PHY databook, "PHY Usage and Configuration" chapter.

Bit	Attr	Reset Value	Description
14:12	RW	0x0	<p>ext_mpll_b_ssc_range protocolP_ext_mpll_b_ssc_range is a PHY configuration setting per-protocol. External overrides for the per-protocol settings of the PHY configuration inputs. (For per-protocol settings to configure the PHY, refer to the PHY databook, "PHY Usage and Configuration" chapter).</p> <p>The PCS 3.0 internally determines the hard-coded optimal settings for each protocol. However, these settings can be overwritten on a per-protocol basis from these top-level pins when phy_ext_ctrl_sel input is asserted. The protocolP signals correspond to the pcs_laneX_protocol[1:0] value of 00, 01, 10, respectively.</p> <p>Note: Because protocol1 supports only two rates, protocol1_ext*_g3 inputs are not provided.</p>
11:0	RW	0x000	<p>ext_mpll_b_ssc_freq_cnt_init protocolP_ext_mpll_b_ssc_freq_cnt_init[11:0] is PHY configuration setting per-protocol. External overrides for the per-protocol settings of the PHY configuration inputs. (For per-protocol settings to configure the PHY, refer to the PHY databook, "PHY Usage and Configuration" chapter).</p> <p>The PCS 3.0 internally determines the hard-coded optimal settings for each protocol. However, these settings can be overwritten on a per-protocol basis from these top-level pins when phy_ext_ctrl_sel input is asserted. The protocolP signal correspond to the pcs_laneX_protocol[1:0] value of 00, 01, 10, respectively.</p> <p>Note: Because protocol1 supports only two rates, protocol1_ext*_g3 inputs are not provided.</p>

**PCIe3PHY GRF PRT0 CON12**

Address: Operational Base + offset (0x3030)

Bit	Attr	Reset Value	Description
31:16	WO	0x0000	<p>write_enable Write enable for lower 16bits, each bit is individual. 1'b0: Write access disable 1'b1: Write access enable</p>
15:13	RO	0x0	reserved
12	RW	0x0	<p>ext_mpll_b_word_div2_en protocolP_ext_mpll_b_word_div2_en is a PHY configuration setting per-protocol. External overrides for the per-protocol settings of the PHY configuration inputs. (For per-protocol settings to configure the PHY, refer to the PHY databook, "PHY Usage and Configuration" chapter.)</p> <p>The PCS 3.0 internally determines the hard-coded optimal settings for each protocol. However, these settings can be overwritten on a per-protocol basis from these top-level pins when phy_ext_ctrl_sel input is asserted. The protocolP signals correspond to the pcs_laneX_protocol[1:0] value of 00, 01, 10, respectively.</p> <p>Note: Because protocol1 supports only two rates, protocol1_ext*_g3 inputs are not provided.</p>
11	RO	0x0	reserved

Bit	Attr	Reset Value	Description
10:8	RW	0x0	<p>ext_mpll_b_tx_clk_div protocolP_ext_mpll_b_tx_clk_div is PHY configuration setting per protocol. External overrides for the per-protocol settings of the PHY configuration inputs. (For per-protocol settings to configure the PHY, refer to the PHY databook, "PHY Usage and Configuration" chapter). The PCS 3.0 internally determines the hard-coded optimal settings for each protocol. However, these settings can be overwritten on a per-protocol basis from these top-level pins when phy_ext_ctrl_sel input is asserted. The protocolP signals correspond to the pcs_laneX_protocol[1:0] value of 00, 01, 10, respectively. Note: Because protocol1 supports only two rates, protocol1_ext*_g3 inputs are not provided.</p>
7:0	RW	0x00	<p>ext_mpll_b_ssc_freq_cnt_peak protocolP_ext_mpll_b_ssc_freq_cnt_peak[7:0] is PHY configuration setting per-protocol. External overrides for the per-protocol settings of the PHY configuration inputs. (For per-protocol settings to configure the PHY, refer to the Cores PHY databook, "PHY Usage and Configuration" chapter). The PCS 3.0 internally determines the hard-coded optimal settings for each protocol. However, these settings can be overwritten on a per-protocol basis from these top-level pins when phy_ext_ctrl_sel input is asserted. The protocolP signal correspond to the pcs_laneX_protocol[1:0] value of 00, 01, 10, respectively. Note: Because protocol1 supports only two rates, protocol1_ext*_g3 inputs are not provided.</p>

**PCIe3PHY GRF PRT0 CON13**

Address: Operational Base + offset (0x3034)

Bit	Attr	Reset Value	Description
31:16	WO	0x0000	<p>write_enable Write enable for lower 16bits, each bit is individual. 1'b0: Write access disable 1'b1: Write access enable</p>
15:6	RO	0x000	<p>reserved</p>
5	RW	0x0	<p>ext_ref_clk_mpll_b_div2_en protocolP_ext_ref_clk_mpll_b_div2_en is a PHY configuration setting per-protocol. External overrides for the per-protocol settings of the PHY configuration inputs. (For per-protocol settings to configure the PHY, refer to the PHY databook, "PHY Usage and Configuration" chapter.) The PCS 3.0 internally determines the hard-coded optimal settings for each protocol. However, these settings can be overwritten on a per-protocol basis from these top-level pins when phy_ext_ctrl_sel input is asserted. The protocol signals correspond to the pcs_laneX_protocol[1:0] value of 00, 01, 10, respectively. Note: Because protocol1 supports only two rates, protocol1_ext*_g3 inputs are not provided.</p>

Bit	Attr	Reset Value	Description
4	RW	0x0	<p>ext_ref_clk_mplla_div2_en protocolP_ext_ref_clk_mplla_div2_en is a PHY configuration setting per-protocol. External overrides for the per-protocol settings of the PHY configuration inputs. (For per-protocol settings to configure the PHY, refer to the PHY databook, "PHY Usage and Configuration" chapter). The PCS 3.0 internally determines the hard-coded optimal settings for each protocol. However, these settings can be overwritten on a per-protocol basis from these top-level pins when phy_ext_ctrl_sel input is asserted. The protocolP signals correspond to the pcs_laneX_protocol[1:0] value of 00, 01, 10, respectively. Note: Because protocol1 supports only two rates, protocol1_ext_*_g3 inputs are not provided.</p>
3	RW	0x0	<p>ext_ref_clk_div2_en protocolP_ext_ref_clk_div2_en is PHY configuration setting per protocol. External overrides for the per-protocol settings of the PHY configuration inputs. (For per-protocol settings to configure the PHY, refer to the PHY databook, "PHY Usage and Configuration" chapter). The PCS 3.0 internally determines the hard-coded optimal settings for each protocol. However, these settings can be overwritten on a per-protocol basis from these top-level pins when phy_ext_ctrl_sel input is asserted. The protocolP signals correspond to the pcs_laneX_protocol[1:0] value of 00, 01, 10, respectively. Note: Because protocol1 supports only two rates, protocol1_ext_*_g3 inputs are not provided.</p>
2:0	RW	0x0	<p>ext_ref_range protocolP_ext_ref_range is PHY configuration setting per-protocol. External overrides for the per-protocol settings of the PHY configuration inputs. (For per-protocol settings to configure the PHY, refer to the PHY databook, "PHY Usage and Configuration" chapter). The PCS 3.0 internally determines the hard-coded optimal settings for each protocol. However, these settings can be overwritten on a per-protocol basis from these top-level pins when phy_ext_ctrl_sel input is asserted. The protocolP signals correspond to the pcs_laneX_protocol[1:0] value of 00, 01, 10, respectively. Note: Because protocol1 supports only two rates, protocol1_ext_*_g3 inputs are not provided.</p>

**PCIe3PHY GRF PRT0 CON14**

Address: Operational Base + offset (0x3038)

Bit	Attr	Reset Value	Description
31:28	RO	0x0	reserved

Bit	Attr	Reset Value	Description
27:24	RW	0x0	<p>ext_rx_adapt_dfe_en_g3 protocolP_ext_rx_adapt_dfe_en_g3 is a receiver equalization setting for overrides. External overrides for the per-protocol settings of the PHY's RX equalization inputs. The PCS 3.0 internally determines the hardcoded optimal RX equalization settings for each protocol and rate. However, these settings can be overwritten on a per-protocol basis from these top-level pins when the phy_ext_ctrl input is asserted. The protocolP signals correspond to the pcs_laneX_protocol[1:0] value of 00, 01, 10, respectively. Because protocol1 supports only two rates, there are no protocol1_ext*_g3 inputs. Because only protocol0 supports four rates, there are no protocol[1,2]_ext*_g4 inputs. These signals are concatenated buses whose width is dependent on the number of lanes in the PCS (NLANES). The buses are ordered from highest lane in the MSBs to lane0 in the LSBs.</p>
23:20	RW	0x0	<p>ext_rx_adapt_dfe_en_g2 protocolP_ext_rx_adapt_dfe_en_g2 is a receiver equalization setting for overrides. External overrides for the per-protocol settings of the PHY's RX equalization inputs. The PCS 3.0 internally determines the hardcoded optimal RX equalization settings for each protocol and rate. However, these settings can be overwritten on a per-protocol basis from these top-level pins when the phy_ext_ctrl input is asserted. The protocolP signals correspond to the pcs_laneX_protocol[1:0] value of 00, 01, 10, respectively. Because protocol1 supports only two rates, there are no protocol1_ext*_g3 inputs. Because only protocol0 supports four rates, there are no protocol[1,2]_ext*_g4 inputs. These signals are concatenated buses whose width is dependent on the number of lanes in the PCS (NLANES). The buses are ordered from highest lane in the MSBs to lane0 in the LSBs.</p>
19:16	RW	0x0	<p>ext_rx_adapt_dfe_en_g1 protocolP_ext_rx_adapt_dfe_en_g1 is a receiver equalization setting for overrides. External overrides for the per-protocol settings of the PHY's RX equalization inputs. The PCS 3.0 internally determines the hardcoded optimal RX equalization settings for each protocol and rate. However, these settings can be overwritten on a per-protocol basis from these top-level pins when the phy_ext_ctrl input is asserted. The protocolP signals correspond to the pcs_laneX_protocol[1:0] value of 00, 01, 10, respectively. Because protocol1 supports only two rates, there are no protocol1_ext*_g3 inputs. Because only protocol0 supports four rates, there are no protocol[1,2]_ext*_g4 inputs. These signals are concatenated buses whose width is dependent on the number of lanes in the PCS (NLANES). The buses are ordered from highest lane in the MSBs to lane0 in the LSBs.</p>
15:12	RO	0x0	reserved

Bit	Attr	Reset Value	Description
11:8	RW	0x0	<p>ext_rx_adapt_afe_en_g3 protocolP_ext_rx_adapt_afe_en_g3 is a receiver equalization setting for overrides. External overrides for the per-protocol settings of the PHY's RX equalization inputs. The PCS 3.0 internally determines the hardcoded optimal RX equalization settings for each protocol and rate. However, these settings can be overwritten on a per-protocol basis from these top-level pins when the phy_ext_ctrl input is asserted. The protocolP signals correspond to the pcs_laneX_protocol[1:0] value of 00, 01, 10, respectively. Because protocol1 supports only two rates, there are no protocol1_ext*_g3 inputs. Because only protocol0 supports four rates, there are no protocol[1,2]_ext*_g4 inputs. These signals are concatenated buses whose width is dependent on the number of lanes in the PCS (NLANES). The buses are ordered from highest lane in the MSBs to lane0 in the LSBs.</p>
7:4	RW	0x0	<p>ext_rx_adapt_afe_en_g2 protocolP_ext_rx_adapt_afe_en_g2 is a receiver equalization setting for overrides. External overrides for the per-protocol settings of the PHY's RX equalization inputs. The PCS 3.0 internally determines the hardcoded optimal RX equalization settings for each protocol and rate. However, these settings can be overwritten on a per-protocol basis from these top-level pins when the phy_ext_ctrl input is asserted. The protocolP signals correspond to the pcs_laneX_protocol[1:0] value of 00, 01, 10, respectively. Because protocol1 supports only two rates, there are no protocol1_ext*_g3 inputs. Because only protocol0 supports four rates, there are no protocol[1,2]_ext*_g4 inputs. These signals are concatenated buses whose width is dependent on the number of lanes in the PCS (NLANES). The buses are ordered from highest lane in the MSBs to lane0 in the LSBs.</p>
3:0	RW	0x0	<p>ext_rx_adapt_afe_en_g1 protocolP_ext_rx_adapt_afe_en_g1 is a receiver equalization setting for overrides. External overrides for the per-protocol settings of the PHY's RX equalization inputs. The PCS 3.0 internally determines the hardcoded optimal RX equalization settings for each protocol and rate. However, these settings can be overwritten on a per-protocol basis from these top-level pins when the phy_ext_ctrl input is asserted. The protocolP signals correspond to the pcs_laneX_protocol[1:0] value of 00, 01, 10, respectively. Because protocol1 supports only two rates, there are no protocol1_ext*_g3 inputs. Because only protocol0 supports four rates, there are no protocol[1,2]_ext*_g4 inputs. These signals are concatenated buses whose width is dependent on the number of lanes in the PCS (NLANES). The buses are ordered from highest lane in the MSBs to lane0 in the LSBs.</p>

**PCIe3PHY GRF PRT0 CON15**

Address: Operational Base + offset (0x303C)



Bit	Attr	Reset Value	Description
31:16	WO	0x0000	write_enable Write enable for lower 16bits, each bit is individual. 1'b0: Write access disable 1'b1: Write access enable
15	RO	0x0	reserved
14:10	RW	0x00	ext_rx_cdr_ppm_max_g3 Reserved
9:5	RW	0x00	ext_rx_cdr_ppm_max_g2 Reserved
4:0	RW	0x00	ext_rx_cdr_ppm_max_g1 Reserved

**PCIe3PHY GRF PRT0 CON16**

Address: Operational Base + offset (0x3040)

Bit	Attr	Reset Value	Description
31:16	WO	0x0000	write_enable Write enable for lower 16bits, each bit is individual. 1'b0: Write access disable 1'b1: Write access enable
15:6	RO	0x000	reserved
5:4	RW	0x0	ext_rx_cdr_vco_freqband_g3 Reserved
3:2	RW	0x0	ext_rx_cdr_vco_freqband_g2 Reserved
1:0	RW	0x0	ext_rx_cdr_vco_freqband_g1 Reserved

**PCIe3PHY GRF PRT0 CON17**

Address: Operational Base + offset (0x3044)

Bit	Attr	Reset Value	Description
31:16	WO	0x0000	write_enable Write enable for lower 16bits, each bit is individual. 1'b0: Write access disable 1'b1: Write access enable
15:12	RO	0x0	reserved
11:8	RW	0x0	ext_rx_data_iq_g3 Reserved
7:4	RW	0x0	ext_rx_data_iq_g2 Reserved
3:0	RW	0x0	ext_rx_data_iq_g1 Reserved

**PCIe3PHY GRF PRT0 CON18**

Address: Operational Base + offset (0x3048)

Bit	Attr	Reset Value	Description
31:0	RO	0x00000000	reserved

**PCIe3PHY GRF PRT0 CON19**

Address: Operational Base + offset (0x304C)

Bit	Attr	Reset Value	Description
31:0	RO	0x00000000	reserved

**PCIe3PHY GRF PRT0 CON20**

Address: Operational Base + offset (0x3050)

Bit	Attr	Reset Value	Description
31:16	WO	0x0000	write_enable Write enable for lower 16bits, each bit is individual. 1'b0: Write access disable 1'b1: Write access enable
15:9	RO	0x00	reserved
8:6	RW	0x0	ext_rx_eq_ctle_pole_g3 Reserved
5:3	RW	0x0	ext_rx_eq_ctle_pole_g2 Reserved
2:0	RW	0x0	ext_rx_eq_ctle_pole_g1 Reserved

**PCIe3PHY GRF PRT0 CON21**

Address: Operational Base + offset (0x3054)

Bit	Attr	Reset Value	Description
31:0	RO	0x00000000	reserved

**PCIe3PHY GRF PRT0 CON22**

Address: Operational Base + offset (0x3058)

Bit	Attr	Reset Value	Description
31:16	WO	0x0000	write_enable Write enable for lower 16bits, each bit is individual. 1'b0: Write access disable 1'b1: Write access enable
15:12	RW	0x0	ext_rx_eq_vga1_gain_g2 Reserved
11:8	RW	0x0	ext_rx_eq_vga1_gain_g1 Reserved
7:0	RO	0x00	reserved

**PCIe3PHY GRF PRT0 CON23**

Address: Operational Base + offset (0x305C)

Bit	Attr	Reset Value	Description
31:16	WO	0x0000	write_enable Write enable for lower 16bits, each bit is individual. 1'b0: Write access disable 1'b1: Write access enable
15:12	RW	0x0	ext_rx_eq_vga2_gain_g3 Reserved
11:8	RW	0x0	ext_rx_eq_vga2_gain_g2 Reserved
7:4	RW	0x0	ext_rx_eq_vga2_gain_g1 Reserved
3:0	RW	0x0	ext_rx_eq_vga1_gain_g3 Reserved

**PCIe3PHY GRF PRT0 CON24**

Address: Operational Base + offset (0x3060)

Bit	Attr	Reset Value	Description
31:16	WO	0x0000	write_enable Write enable for lower 16bits, each bit is individual. 1'b0: Write access disable 1'b1: Write access enable

Bit	Attr	Reset Value	Description
15:4	RW	0x000	<p>ext_rx_los_threshold protocolP_ext_rx_los_threshold is a PHY configuration setting per-protocol. External overrides for the per-protocol settings of the PHY configuration inputs. (For per-protocol settings to configure the PHY, refer to the PHY databook, "PHY Usage and Configuration" chapter). The PCS 3.0 internally determines the hard-coded optimal settings for each protocol. However, these settings can be overwritten on a per-protocol basis from these top-level pins when phy_ext_ctrl_sel input is asserted. The protocolP signals correspond to the pcs_laneX_protocol[1:0] value of 00, 01, 10, respectively. Note: Because protocol1 supports only two rates, protocol1_ext*_g3 inputs are not provided.</p>
3	RO	0x0	reserved
2	RW	0x0	<p>ext_rx_los_lfps_en protocolP_ext_rx_los_lfps_en is a PHY configuration setting per-protocol. External overrides for the per-protocol settings of the PHY configuration inputs.(For per-protocol settings to configure the PHY, refer to the PHY databook, "PHY Usage and Configuration" chapter). The PCS 3.0 internally determines the hard-coded optimal settings for each protocol. However, these settings can be overwritten on a per-protocol basis from these top-level pins when phy_ext_ctrl_sel input is asserted. The protocolP signals correspond to the pcs_laneX_protocol[1:0] value of 00, 01, 10, respectively. Note: Because protocol1 supports only two rates, protocol1_ext*_g3 inputs are not provided.</p>
1:0	RO	0x0	reserved

**PCIe3PHY GRF PRT0 CON25**

Address: Operational Base + offset (0x3064)

Bit	Attr	Reset Value	Description
31:16	WO	0x0000	<p>write_enable Write enable for lower 16bits, each bit is individual. 1'b0: Write access disable 1'b1: Write access enable</p>
15:8	RW	0x00	<p>ext_rx_misc_g2 Reserved</p>
7:0	RW	0x00	<p>ext_rx_misc_g1 Reserved</p>

**PCIe3PHY GRF PRT0 CON26**

Address: Operational Base + offset (0x3068)

Bit	Attr	Reset Value	Description
31:16	WO	0x0000	<p>write_enable Write enable for lower 16bits, each bit is individual. 1'b0: Write access disable 1'b1: Write access enable</p>
15:8	RO	0x00	reserved
7:0	RW	0x00	<p>ext_rx_misc_g3 Reserved</p>

**PCIe3PHY GRF PRT0 CON27**

Address: Operational Base + offset (0x306C)

Bit	Attr	Reset Value	Description
31:16	WO	0x0000	write_enable Write enable for lower 16bits, each bit is individual. 1'b0: Write access disable 1'b1: Write access enable
15:12	RO	0x0	reserved
11:6	RW	0x00	ext_rx_ref_ld_val_g2 protocolP_ext_rx_ref_ld_val_g2 is a PHY configuration setting per-protocol. External overrides for the per-protocol settings of the PHY configuration inputs. (For per-protocol settings to configure the PHY, refer to the PHY databook, "PHY Usage and Configuration" chapter). The PCS 3.0 internally determines the hard-coded optimal settings for each protocol. However, these settings can be overwritten on a per-protocol basis from these top-level pins when phy_ext_ctrl_sel input is asserted. The protocolP signals correspond to the pcs_laneX_protocol[1:0] value of 00, 01, 10, respectively. Note: Because protocol1 supports only two rates, protocol1_ext*_g3 inputs are not provided.
5:0	RW	0x00	ext_rx_ref_ld_val_g1 protocolP_ext_rx_ref_ld_val_g1 is a PHY configuration setting per-protocol. External overrides for the per-protocol settings of the PHY configuration inputs. (For per-protocol settings to configure the PHY, refer to the PHY databook, "PHY Usage and Configuration" chapter). The PCS 3.0 internally determines the hard-coded optimal settings for each protocol. However, these settings can be overwritten on a per-protocol basis from these top-level pins when phy_ext_ctrl_sel input is asserted. The protocolP signals correspond to the pcs_laneX_protocol[1:0] value of 00, 01, 10, respectively. Note: Because protocol1 supports only two rates, protocol1_ext*_g3 inputs are not provided.

**PCIe3PHY GRF PRT0 CON28**

Address: Operational Base + offset (0x3070)

Bit	Attr	Reset Value	Description
31:16	WO	0x0000	write_enable Write enable for lower 16bits, each bit is individual. 1'b0: Write access disable 1'b1: Write access enable
15:6	RO	0x000	reserved

Bit	Attr	Reset Value	Description
5:0	RW	0x00	<p>ext_rx_ref_ld_val_g3 protocolP_ext_rx_ref_ld_val_g3 is a PHY configuration setting per-protocol. External overrides for the per-protocol settings of the PHY configuration inputs. (For per-protocol settings to configure the PHY, refer to the PHY databook, "PHY Usage and Configuration" chapter). The PCS 3.0 internally determines the hard-coded optimal settings for each protocol. However, these settings can be overwritten on a per-protocol basis from these top-level pins when phy_ext_ctrl_sel input is asserted. The protocolP signals correspond to the pcs_laneX_protocol[1:0] value of 00, 01, 10, respectively. Note: Because protocol1 supports only two rates, protocol1_ext_*_g3 inputs are not provided.</p>

**PCIe3PHY GRF PRT0 CON29**

Address: Operational Base + offset (0x3074)

Bit	Attr	Reset Value	Description
31:16	WO	0x0000	<p>write_enable Write enable for lower 16bits, each bit is individual. 1'b0: Write access disable 1'b1: Write access enable</p>
15:13	RO	0x0	reserved
12:0	RW	0x0000	<p>ext_rx_vco_ld_val_g1 protocolP_ext_rx_vco_ld_val_g1 is a PHY configuration setting per-protocol. External overrides for the per-protocol settings of the PHY configuration inputs. (For per-protocol settings to configure the PHY, refer to the PHY databook, "PHY Usage and Configuration" chapter). The PCS 3.0 internally determines the hard-coded optimal settings for each protocol. However, these settings can be overwritten on a per-protocol basis from these top-level pins when phy_ext_ctrl_sel input is asserted. The protocolP signals correspond to the pcs_laneX_protocol[1:0] value of 00, 01, 10, respectively. Note: Because protocol1 supports only two rates, protocol1_ext_*_g3 inputs are not provided.</p>

**PCIe3PHY GRF PRT0 CON30**

Address: Operational Base + offset (0x3078)

Bit	Attr	Reset Value	Description
31:16	WO	0x0000	<p>write_enable Write enable for lower 16bits, each bit is individual. 1'b0: Write access disable 1'b1: Write access enable</p>
15:13	RO	0x0	reserved

Bit	Attr	Reset Value	Description
12:0	RW	0x0000	<p>ext_rx_vco_ld_val_g2 protocolP_ext_rx_vco_ld_val_g2 is a PHY configuration setting per-protocol. External overrides for the per-protocol settings of the PHY configuration inputs. (For per-protocol settings to configure the PHY, refer to the PHY databook, "PHY Usage and Configuration" chapter). The PCS 3.0 internally determines the hard-coded optimal settings for each protocol. However, these settings can be overwritten on a per-protocol basis from these top-level pins when phy_ext_ctrl_sel input is asserted. The protocolP signals correspond to the pcs_laneX_protocol[1:0] value of 00, 01, 10, respectively. Note: Because protocol1 supports only two rates, protocol1_ext*_g3 inputs are not provided.</p>

**PCIe3PHY GRF PRT0 CON31**

Address: Operational Base + offset (0x307C)

Bit	Attr	Reset Value	Description
31:16	WO	0x0000	<p>write_enable Write enable for lower 16bits, each bit is individual. 1'b0: Write access disable 1'b1: Write access enable</p>
15:13	RO	0x0	reserved
12:0	RW	0x0000	<p>ext_rx_vco_ld_val_g3 protocolP_ext_rx_vco_ld_val_g3 is a PHY configuration setting per-protocol. External overrides for the per-protocol settings of the PHY configuration inputs. (For per-protocol settings to configure the PHY, refer to the PHY databook, "PHY Usage and Configuration" chapter). The PCS 3.0 internally determines the hard-coded optimal settings for each protocol. However, these settings can be overwritten on a per-protocol basis from these top-level pins when phy_ext_ctrl_sel input is asserted. The protocolP signals correspond to the pcs_laneX_protocol[1:0] value of 00, 01, 10, respectively. Note: Because protocol1 supports only two rates, protocol1_ext*_g3 inputs are not provided.</p>

**PCIe3PHY GRF PRT0 CON32**

Address: Operational Base + offset (0x3080)

Bit	Attr	Reset Value	Description
31:16	WO	0x0000	<p>write_enable Write enable for lower 16bits, each bit is individual. 1'b0: Write access disable 1'b1: Write access enable</p>
15:13	RO	0x0	reserved

Bit	Attr	Reset Value	Description
12:8	RW	0x00	<p>ext_rx_vref_ctrl protocolP_ext_rx_vref_ctrl is a PHY configuration setting per-protocol. External overrides for the per-protocol settings of the PHY configuration inputs. (For per-protocol settings to configure the PHY, refer to the PHY databook, "PHY Usage and Configuration" chapter). The PCS 3.0 internally determines the hard-coded optimal settings for each protocol. However, these settings can be overwritten on a per-protocol basis from these top-level pins when phy_ext_ctrl_sel input is asserted. The protocolP signals correspond to the pcs_laneX_protocol[1:0] value of 00, 01, 10, respectively. Note: Because protocol1 supports only two rates, protocol1_ext*_g3 inputs are not provided.</p>
7:0	RW	0x00	<p>ext_sup_misc Reserved</p>

**PCIe3PHY GRF PRT0 CON33**

Address: Operational Base + offset (0x3084)

Bit	Attr	Reset Value	Description
31:0	RO	0x00000000	reserved

**PCIe3PHY GRF PRT0 CON34**

Address: Operational Base + offset (0x3088)

Bit	Attr	Reset Value	Description
31:0	RO	0x00000000	reserved

**PCIe3PHY GRF PRT0 CON35**

Address: Operational Base + offset (0x308C)

Bit	Attr	Reset Value	Description
31:16	WO	0x0000	<p>write_enable Write enable for lower 16bits, each bit is individual. 1'b0: Write access disable 1'b1: Write access enable</p>
15:12	RO	0x0	reserved
11:8	RW	0x0	<p>ext_tx_eq_ovrd_g3 protocolP_ext_tx_eq_ovrd_g3 is a transmitter equalization setting for overrides. External overrides for the per-protocol settings of the PHY's TX equalization inputs. The PCS 3.0 internally determines the hard-coded optimal TX equalization settings for each protocol and rate. However, these settings can be overwritten on a per-protocol basis from these toplevel pins when the corresponding protocol[0,1,2]_ext_tx_eq_ovrd_[g1,g2,g3,g4] input is asserted. The protocolP signals correspond to the pcs_laneX_protocol[1:0] value of 00, 01, 10, respectively. Because protocol1 supports only two rates, there are no protocol1_ext*_g3 inputs. Because only protocol0 supports four rates, there are no protocol[1,2]_ext*_g4 inputs. These signals are concatenated buses whose width is dependent on the number of lanes in the PCS (NLANES). The buses are ordered from highest lane in the MSBs to lane0 in the LSBs.</p>

Bit	Attr	Reset Value	Description
7:4	RW	0x0	<p>ext_tx_eq_ovrd_g2 protocolP_ext_tx_eq_ovrd_g2 is a transmitter equalization setting for overrides. External overrides for the per-protocol settings of the PHY's TX equalization inputs. The PCS 3.0 internally determines the hard-coded optimal TX equalization settings for each protocol and rate. However, these settings can be overwritten on a per-protocol basis from these toplevel pins when the corresponding protocol[0,1,2]_ext_tx_eq_ovrd_[g1,g2,g3,g4] input is asserted. The protocolP signals correspond to the pcs_laneX_protocol[1:0] value of 00, 01, 10, respectively. Because protocol1 supports only two rates, there are no protocol1_ext*_g3 inputs. Because only protocol0 supports four rates, there are no protocol[1,2]_ext*_g4 inputs. These signals are concatenated buses whose width is dependent on the number of lanes in the PCS (NLANES). The buses are ordered from highest lane in the MSBs to lane0 in the LSBs.</p>
3:0	RW	0x0	<p>ext_tx_eq_ovrd_g1 protocolP_ext_tx_eq_ovrd_g1 is a transmitter equalization setting for overrides. External overrides for the per-protocol settings of the PHY's TX equalization inputs. The PCS 3.0 internally determines the hard-coded optimal TX equalization settings for each protocol and rate. However, these settings can be overwritten on a per-protocol basis from these toplevel pins when the corresponding protocol[0,1,2]_ext_tx_eq_ovrd_[g1,g2,g3,g4] input is asserted. The protocolP signals correspond to the pcs_laneX_protocol[1:0] value of 00, 01, 10, respectively. Because protocol1 supports only two rates, there are no protocol1_ext*_g3 inputs. Because only protocol0 supports four rates, there are no protocol[1,2]_ext*_g4 inputs. These signals are concatenated buses whose width is dependent on the number of lanes in the PCS (NLANES). The buses are ordered from highest lane in the MSBs to lane0 in the LSBs.</p>

**PCIe3PHY GRF PRT0 CON36**

Address: Operational Base + offset (0x3090)

Bit	Attr	Reset Value	Description
31:0	RO	0x00000000	reserved

**PCIe3PHY GRF PRT0 CON37**

Address: Operational Base + offset (0x3094)

Bit	Attr	Reset Value	Description
31:16	WO	0x0000	<p>write_enable Write enable for lower 16bits, each bit is individual. 1'b0: Write access disable 1'b1: Write access enable</p>



Bit	Attr	Reset Value	Description
15:0	RW	0x0000	<p>ext_tx_iboost_lvl protocolP_ext_tx_iboost_lvl is a PHY configuration setting per-protocol. External overrides for the per-protocol settings of the PHY configuration inputs. (For per-protocol settings to configure the PHY, refer to the PHY databook, "PHY Usage and Configuration" chapter). The PCS 3.0 internally determines the hard-coded optimal settings for each protocol. However, these settings can be overwritten on a per-protocol basis from these top-level pins when phy_ext_ctrl_sel input is asserted. The protocolP signals correspond to the pcs_laneX_protocol[1:0] value of 00, 01, 10, respectively. Note: Because protocol1 supports only two rates, protocol1_ext*_g3 inputs are not provided.</p>

**PCIe3PHY GRF PRT0 CON38**

Address: Operational Base + offset (0x3098)

Bit	Attr	Reset Value	Description
31:16	WO	0x0000	<p>write_enable Write enable for lower 16bits, each bit is individual. 1'b0: Write access disable 1'b1: Write access enable</p>
15:8	RW	0x00	<p>ext_tx_misc_g2 Reserved</p>
7:0	RW	0x00	<p>ext_tx_misc_g1 Reserved</p>

**PCIe3PHY GRF PRT0 CON39**

Address: Operational Base + offset (0x309C)

Bit	Attr	Reset Value	Description
31:16	WO	0x0000	<p>write_enable Write enable for lower 16bits, each bit is individual. 1'b0: Write access disable 1'b1: Write access enable</p>
15:11	RO	0x00	<p>reserved</p>
10:8	RW	0x0	<p>tx_vboost_lvl protocolP_ext_tx_vboost_lvl is lane-based PHY configuration setting per-protocol. Lane-based external overrides for the per-protocol settings of the PHY configuration inputs. (For per-protocol settings to configure the PHY, refer to the PHY databook, "PHY Usage and Configuration" chapter). The PCS 3.0 internally determines the hard-coded optimal settings for each protocol. However, these settings can be overwritten on a per-protocol basis from these top-level pins when the phy_ext_ctrl_sel input is asserted. The protocolP signals correspond to the pcs_laneX_protocol[1:0] value of 00, 01, 10, respectively. These signals are concatenated buses whose width is dependent on the number of lanes in the PCS (NLANES). The buses are ordered from highest lane in the MSBs to lane0 in the LSBs.</p>
7:0	RW	0x00	<p>ext_tx_misc_g3 Reserved</p>

**PCIe3PHY GRF PRT0 CON50**

Address: Operational Base + offset (0x3140)

Bit	Attr	Reset Value	Description
31:12	RO	0x00000	reserved
11:8	RW	0x0	<p>ext_rx_cdr_vco_lowfreq_g3                      protocolP_ext_rx_cdr_vco_lowfreq_g3 is external overrides settings for receiver vco lower frequency band per protocol. PCS internally drives it to the hard coded default settings for each protocol and rate. However, these settings can be overwritten on a per-protocol basis from these top-level pins when phy_ext_ctrl_sel input is asserted.                      The protocol0, protocol1, protocol2 correspond to the pcs_laneX_protocol[1:0] value of 00, 01, 10 and, g1, g2, g3 correspond to the pcs_laneX_rate[1:0] value of 00, 01, 10 respectively.                      Note: Protocol1 supports only two rates, protocol1_ext_*_g3 inputs are not provided.</p>
7:4	RW	0x0	<p>ext_rx_cdr_vco_lowfreq_g2                      protocolP_ext_rx_cdr_vco_lowfreq_g2 is external overrides settings for receiver vco lower frequency band per protocol. PCS internally drives it to the hard coded default settings for each protocol and rate. However, these settings can be overwritten on a per-protocol basis from these top-level pins when phy_ext_ctrl_sel input is asserted.                      The protocol0, protocol1, protocol2 correspond to the pcs_laneX_protocol[1:0] value of 00, 01, 10 and, g1, g2, g3 correspond to the pcs_laneX_rate[1:0] value of 00, 01, 10 respectively.                      Note: Protocol1 supports only two rates, protocol1_ext_*_g3 inputs are not provided.</p>
3:0	RW	0x0	<p>ext_rx_cdr_vco_lowfreq_g1                      protocolP_ext_rx_cdr_vco_lowfreq_g1 is external overrides settings for receiver vco lower frequency band per protocol. PCS internally drives it to the hard coded default settings for each protocol and rate. However, these settings can be overwritten on a per-protocol basis from these top-level pins when phy_ext_ctrl_sel input is asserted.                      The protocol0, protocol1, protocol2 correspond to the pcs_laneX_protocol[1:0] value of 00, 01, 10 and, g1, g2, g3 correspond to the pcs_laneX_rate[1:0] value of 00, 01, 10 respectively.                      Note: Protocol1 supports only two rates, protocol1_ext_*_g3 inputs are not provided.</p>

**PCIe3PHY GRF PRT0 CON51**

Address: Operational Base + offset (0x3144)

Bit	Attr	Reset Value	Description
31:16	RO	0x0000	reserved

Bit	Attr	Reset Value	Description
15:0	RW	0x0000	<p>ext_rx_eq_afe_gain_g1 protocolP_ext_rx_eq_afe_gain_g1 is a receiver equalization setting for overrides. External overrides for the per-protocol settings of the PHY's RX equalization inputs. The PCS 3.0 internally determines the hardcoded optimal RX equalization settings for each protocol and rate. However, these settings can be overwritten on a per-protocol basis from these top-level pins when the phy_ext_ctrl input is asserted. The protocolP signals correspond to the pcs_laneX_protocol[1:0] value of 00, 01, 10, respectively. Because protocol1 supports only two rates, there are no protocol1_ext*_g3 inputs. Because only protocol0 supports four rates, there are no protocol[1,2]_ext*_g4 inputs. These signals are concatenated buses whose width is dependent on the number of lanes in the PCS (NLANES). The buses are ordered from highest lane in the MSBs to lane0 in the LSBs.</p>

**PCIe3PHY GRF PRT0 CON52**

Address: Operational Base + offset (0x3148)

Bit	Attr	Reset Value	Description
31:16	RO	0x0000	reserved
15:0	RW	0x0000	<p>ext_rx_eq_afe_gain_g2 protocolP_ext_rx_eq_afe_gain_g2 is a receiver equalization setting for overrides. External overrides for the per-protocol settings of the PHY's RX equalization inputs. The PCS 3.0 internally determines the hardcoded optimal RX equalization settings for each protocol and rate. However, these settings can be overwritten on a per-protocol basis from these top-level pins when the phy_ext_ctrl input is asserted. The protocolP signals correspond to the pcs_laneX_protocol[1:0] value of 00, 01, 10, respectively. Because protocol1 supports only two rates, there are no protocol1_ext*_g3 inputs. Because only protocol0 supports four rates, there are no protocol[1,2]_ext*_g4 inputs. These signals are concatenated buses whose width is dependent on the number of lanes in the PCS (NLANES). The buses are ordered from highest lane in the MSBs to lane0 in the LSBs.</p>

**PCIe3PHY GRF PRT0 CON53**

Address: Operational Base + offset (0x314C)

Bit	Attr	Reset Value	Description
31:16	RO	0x0000	reserved

Bit	Attr	Reset Value	Description
15:0	RW	0x0000	<p>ext_rx_eq_afe_gain_g3 protocolP_ext_rx_eq_afe_gain_g3 is a receiver equalization setting for overrides.</p> <p>External overrides for the per-protocol settings of the PHY's RX equalization inputs. The PCS 3.0 internally determines the hardcoded optimal RX equalization settings for each protocol and rate.</p> <p>However, these settings can be overwritten on a per-protocol basis from these top-level pins when the phy_ext_ctrl input is asserted.</p> <p>The protocolP signals correspond to the pcs_laneX_protocol[1:0] value of 00, 01, 10, respectively.</p> <p>Because protocol1 supports only two rates, there are no protocol1_ext*_g3 inputs. Because only protocol0 supports four rates, there are no protocol[1,2]_ext*_g4 inputs.</p> <p>These signals are concatenated buses whose width is dependent on the number of lanes in the PCS (NLANES). The buses are ordered from highest lane in the MSBs to lane0 in the LSBs.</p>

**PCIe3PHY GRF PRT0 CON54**

Address: Operational Base + offset (0x3150)

Bit	Attr	Reset Value	Description
31:12	RO	0x00000	reserved
11:0	RW	0x000	<p>ext_rx_eq_att_lvl_g1 protocolP_ext_rx_eq_att_lvl_g1 is a receiver equalization setting for overrides.</p> <p>External overrides for the per-protocol settings of the PHY's RX equalization inputs. The PCS 3.0 internally determines the hardcoded optimal RX equalization settings for each protocol and rate. However, these settings can be overwritten on a per-protocol basis from these top-level pins when the phy_ext_ctrl input is asserted.</p> <p>The protocolP signals correspond to the pcs_laneX_protocol[1:0] value of 00, 01, 10, respectively.</p> <p>Because protocol1 supports only two rates, there are no protocol1_ext*_g3 inputs. Because only protocol0 supports four rates, there are no protocol[1,2]_ext*_g4 inputs.</p> <p>These signals are concatenated buses whose width is dependent on the number of lanes in the PCS (NLANES). The buses are ordered from highest lane in the MSBs to lane0 in the LSBs.</p>

**PCIe3PHY GRF PRT0 CON55**

Address: Operational Base + offset (0x3154)

Bit	Attr	Reset Value	Description
31:12	RO	0x00000	reserved

Bit	Attr	Reset Value	Description
11:0	RW	0x000	<p>ext_rx_eq_att_lvl_g2 protocolP_ext_rx_eq_att_lvl_g2 is a receiver equalization setting for overrides.</p> <p>External overrides for the per-protocol settings of the PHY's RX equalization inputs. The PCS 3.0 internally determines the hardcoded optimal RX equalization settings for each protocol and rate. However, these settings can be overwritten on a per-protocol basis from these top-level pins when the phy_ext_ctrl input is asserted.</p> <p>The protocolP signals correspond to the pcs_laneX_protocol[1:0] value of 00, 01, 10, respectively.</p> <p>Because protocol1 supports only two rates, there are no protocol1_ext_*_g3 inputs. Because only protocol0 supports four rates, there are no protocol[1,2]_ext_*_g4 inputs.</p> <p>These signals are concatenated buses whose width is dependent on the number of lanes in the PCS (NLANES). The buses are ordered from highest lane in the MSBs to lane0 in the LSBs.</p>

**PCIe3PHY GRF PRT0 CON56**

Address: Operational Base + offset (0x3158)

Bit	Attr	Reset Value	Description
31:12	RO	0x00000	reserved
11:0	RW	0x000	<p>ext_rx_eq_att_lvl_g3 protocolP_ext_rx_eq_att_lvl_g2 is a receiver equalization setting for overrides.</p> <p>External overrides for the per-protocol settings of the PHY's RX equalization inputs. The PCS 3.0 internally determines the hardcoded optimal RX equalization settings for each protocol and rate. However, these settings can be overwritten on a per-protocol basis from these top-level pins when the phy_ext_ctrl input is asserted.</p> <p>The protocolP signals correspond to the pcs_laneX_protocol[1:0] value of 00, 01, 10, respectively.</p> <p>Because protocol1 supports only two rates, there are no protocol1_ext_*_g3 inputs. Because only protocol0 supports four rates, there are no protocol[1,2]_ext_*_g4 inputs.</p> <p>These signals are concatenated buses whose width is dependent on the number of lanes in the PCS (NLANES). The buses are ordered from highest lane in the MSBs to lane0 in the LSBs.</p>

**PCIe3PHY GRF PRT0 CON57**

Address: Operational Base + offset (0x315C)

Bit	Attr	Reset Value	Description
31:16	RO	0x0000	reserved

Bit	Attr	Reset Value	Description
15:0	RW	0x0000	<p>ext_rx_eq_delta_iq_g1 protocolP_ext_rx_eq_delta_iq_g1 is a receiver equalization setting overrides. External overrides for the per-protocol settings of the PHY's RX equalization inputs. The PCIe 3.0 internally determines the hard-coded optimal RX equalization settings for each protocol and rate. However, these settings can be overwritten on a per-protocol basis from these toplevel pins when the phy_ext_ctrl input is asserted. The protocolP signals correspond to the pcs_laneX_protocol[1:0] value of 00, 01, 10, respectively. Because protocol1 supports only two rates, there are no protocol1_ext*_g3 inputs. Because only protocol0 supports four rates, there are no protocol[1,2]_ext*_g4 inputs. These signals are concatenated buses whose width is dependent on the number of lanes in the PCS (NLANES). The buses are ordered from highest lane in the MSBs to lane0 in the LSBs.</p>

**PCIe3PHY GRF PRT0 CON58**

Address: Operational Base + offset (0x3160)

Bit	Attr	Reset Value	Description
31:16	RO	0x0000	reserved
15:0	RW	0x0000	<p>ext_rx_eq_delta_iq_g2 protocolP_ext_rx_eq_delta_iq_g2 is a receiver equalization setting overrides. External overrides for the per-protocol settings of the PHY's RX equalization inputs. The PCIe 3.0 internally determines the hard-coded optimal RX equalization settings for each protocol and rate. However, these settings can be overwritten on a per-protocol basis from these toplevel pins when the phy_ext_ctrl input is asserted. The protocolP signals correspond to the pcs_laneX_protocol[1:0] value of 00, 01, 10, respectively. Because protocol1 supports only two rates, there are no protocol1_ext*_g3 inputs. Because only protocol0 supports four rates, there are no protocol[1,2]_ext*_g4 inputs. These signals are concatenated buses whose width is dependent on the number of lanes in the PCS (NLANES). The buses are ordered from highest lane in the MSBs to lane0 in the LSBs.</p>

**PCIe3PHY GRF PRT0 CON59**

Address: Operational Base + offset (0x3164)

Bit	Attr	Reset Value	Description
31:16	RO	0x0000	reserved

Bit	Attr	Reset Value	Description
15:0	RW	0x0000	<p>ext_rx_eq_delta_iq_g3 protocolP_ext_rx_eq_delta_iq_g3 is a receiver equalization setting overrides. External overrides for the per-protocol settings of the PHY's RX equalization inputs. The PCIe 3.0 internally determines the hard-coded optimal RX equalization settings for each protocol and rate. However, these settings can be overwritten on a per-protocol basis from these toplevel pins when the phy_ext_ctrl input is asserted. The protocolP signals correspond to the pcs_laneX_protocol[1:0] value of 00, 01, 10, respectively. Because protocol1 supports only two rates, there are no protocol1_ext_*_g3 inputs. Because only protocol0 supports four rates, there are no protocol[1,2]_ext_*_g4 inputs. These signals are concatenated buses whose width is dependent on the number of lanes in the PCS (NLANES). The buses are ordered from highest lane in the MSBs to lane0 in the LSBs.</p>

**PCIe3PHY GRF PRT0 CON60**

Address: Operational Base + offset (0x3168)

Bit	Attr	Reset Value	Description
31:20	RO	0x000	reserved
19:0	RW	0x00000	<p>ext_rx_eq_ctle_boost_g1 protocolP_ext_rx_eq_ctle_boost_g1 is a receiver equalization setting for overrides. External overrides for the per-protocol settings of the PHY's RX equalization inputs. The PCS 3.0 internally determines the hardcoded optimal RX equalization settings for each protocol and rate. However, these settings can be overwritten on a per-protocol basis from these top-level pins when the phy_ext_ctrl input is asserted. The protocolP signals correspond to the pcs_laneX_protocol[1:0] value of 00, 01, 10, respectively. Because protocol1 supports only two rates, there are no protocol1_ext_*_g3 inputs. Because only protocol0 supports four rates, there are no protocol[1,2]_ext_*_g4 inputs. These signals are concatenated buses whose width is dependent on the number of lanes in the PCS (NLANES). The buses are ordered from highest lane in the MSBs to lane0 in the LSBs.</p>

**PCIe3PHY GRF PRT0 CON61**

Address: Operational Base + offset (0x316C)

Bit	Attr	Reset Value	Description
31:20	RO	0x000	reserved

Bit	Attr	Reset Value	Description
19:0	RW	0x00000	<p>ext_rx_eq_ctle_boost_g2 protocolP_ext_rx_eq_ctle_boost_g2 is a receiver equalization setting for overrides.</p> <p>External overrides for the per-protocol settings of the PHY's RX equalization inputs. The PCS 3.0 internally determines the hardcoded optimal RX equalization settings for each protocol and rate. However, these settings can be overwritten on a per-protocol basis from these top-level pins when the phy_ext_ctrl input is asserted.</p> <p>The protocolP signals correspond to the pcs_laneX_protocol[1:0] value of 00, 01, 10, respectively.</p> <p>Because protocol1 supports only two rates, there are no protocol1_ext*_g3 inputs. Because only protocol0 supports four rates, there are no protocol[1,2]_ext*_g4 inputs.</p> <p>These signals are concatenated buses whose width is dependent on the number of lanes in the PCS (NLANES). The buses are ordered from highest lane in the MSBs to lane0 in the LSBs.</p>

**PCIe3PHY GRF PRT0 CON62**

Address: Operational Base + offset (0x3170)

Bit	Attr	Reset Value	Description
31:20	RO	0x000	reserved
19:0	RW	0x00000	<p>ext_rx_eq_ctle_boost_g3 protocolP_ext_rx_eq_ctle_boost_g3 is a receiver equalization setting for overrides.</p> <p>External overrides for the per-protocol settings of the PHY's RX equalization inputs. The PCS 3.0 internally determines the hardcoded optimal RX equalization settings for each protocol and rate. However, these settings can be overwritten on a per-protocol basis from these top-level pins when the phy_ext_ctrl input is asserted.</p> <p>The protocolP signals correspond to the pcs_laneX_protocol[1:0] value of 00, 01, 10, respectively.</p> <p>Because protocol1 supports only two rates, there are no protocol1_ext*_g3 inputs. Because only protocol0 supports four rates, there are no protocol[1,2]_ext*_g4 inputs.</p> <p>These signals are concatenated buses whose width is dependent on the number of lanes in the PCS (NLANES). The buses are ordered from highest lane in the MSBs to lane0 in the LSBs.</p>

**PCIe3PHY GRF PRT0 CON63**

Address: Operational Base + offset (0x3174)

Bit	Attr	Reset Value	Description
31:0	RW	0x00000000	<p>ext_rx_eq_dfe_tap1_g1 protocolP_ext_rx_eq_dfe_tap1_g1 is a receiver equalization setting for overrides.</p> <p>External overrides for the per-protocol settings of the PHY's RX equalization inputs. The PCS 3.0 internally determines the hardcoded optimal RX equalization settings for each protocol and rate. However, these settings can be overwritten on a per-protocol basis from these top-level pins when the phy_ext_ctrl input is asserted.</p> <p>The protocolP signals correspond to the pcs_laneX_protocol[1:0] value of 00, 01, 10, respectively.</p> <p>Because protocol1 supports only two rates, there are no</p>



Bit	Attr	Reset Value	Description
			protocol1_ext*_g3 inputs. Because only protocol0 supports four rates, there are no protocol[1,2]_ext*_g4 inputs. These signals are concatenated buses whose width is dependent on the number of lanes in the PCS (NLANES). The buses are ordered from highest lane in the MSBs to lane0 in the LSBs.

**PCIe3PHY GRF PRT0 CON64**

Address: Operational Base + offset (0x3178)

Bit	Attr	Reset Value	Description
31:0	RW	0x00000000	ext_rx_eq_dfe_tap1_g2 protocolP_ext_rx_eq_dfe_tap1_g2 is a receiver equalization setting for overrides. External overrides for the per-protocol settings of the PHY's RX equalization inputs. The PCS 3.0 internally determines the hardcoded optimal RX equalization settings for each protocol and rate. However, these settings can be overwritten on a per-protocol basis from these top-level pins when the phy_ext_ctrl input is asserted. The protocolP signals correspond to the pcs_laneX_protocol[1:0] value of 00, 01, 10, respectively. Because protocol1 supports only two rates, there are no protocol1_ext*_g3 inputs. Because only protocol0 supports four rates, there are no protocol[1,2]_ext*_g4 inputs. These signals are concatenated buses whose width is dependent on the number of lanes in the PCS (NLANES). The buses are ordered from highest lane in the MSBs to lane0 in the LSBs.

**PCIe3PHY GRF PRT0 CON65**

Address: Operational Base + offset (0x317C)

Bit	Attr	Reset Value	Description
31:0	RW	0x00000000	ext_rx_eq_dfe_tap1_g3 protocolP_ext_rx_eq_dfe_tap1_g3 is a receiver equalization setting for overrides. External overrides for the per-protocol settings of the PHY's RX equalization inputs. The PCS 3.0 internally determines the hardcoded optimal RX equalization settings for each protocol and rate. However, these settings can be overwritten on a per-protocol basis from these top-level pins when the phy_ext_ctrl input is asserted. The protocolP signals correspond to the pcs_laneX_protocol[1:0] value of 00, 01, 10, respectively. Because protocol1 supports only two rates, there are no protocol1_ext*_g3 inputs. Because only protocol0 supports four rates, there are no protocol[1,2]_ext*_g4 inputs. These signals are concatenated buses whose width is dependent on the number of lanes in the PCS (NLANES). The buses are ordered from highest lane in the MSBs to lane0 in the LSBs.

**PCIe3PHY GRF PRT0 CON66**

Address: Operational Base + offset (0x3180)

Bit	Attr	Reset Value	Description
31:10	RO	0x000000	reserved

Bit	Attr	Reset Value	Description
9:6	RW	0x0	<p>ext_tx_vboost_en protocolP_ext_tx_vboost_en configuration setting per protocol. External overrides for the per-protocol settings of the PHY configuration inputs. (For per-protocol settings to configure the PHY, refer to the PHY databook, "PHY Usage and Configuration" chapter). The PCS 3.0 internally determines the hard-coded optimal settings for each protocol. However, these settings can be overwritten on a per-protocol basis from these top-level pins when phy_ext_ctrl_sel input is asserted. The protocolP signals correspond to the pcs_laneX_protocol[1:0] value of 00, 01, 10, respectively. Note: Because protocol1 supports only two rates, protocol1_ext*_g3 inputs are not provided.</p>
5:3	RW	0x0	<p>ext_tx_term_ctrl protocolP_ext_tx_term_ctrl is a PHY configuration setting per-protocol. External overrides for the per-protocol settings of the PHY configuration inputs. (For per-protocol settings to configure the PHY, refer to the PHY databook, "PHY Usage and Configuration" chapter.) The PCS 3.0 internally determines the hard-coded optimal settings for each protocol. However, these settings can be overwritten on a per-protocol basis from these top-level pins when phy_ext_ctrl_sel input is asserted. The protocolP signals correspond to the pcs_laneX_protocol[1:0] value of 00, 01, 10, respectively. Note: Because protocol1 supports only two rates, protocol1_ext*_g3 inputs are not provided.</p>
2:0	RW	0x0	<p>ext_rx_term_ctrl protocolP_ext_rx_term_ctrl is a PHY configuration setting per-protocol. External overrides for the per-protocol settings of the PHY configuration inputs. (For per-protocol settings to configure the PHY, refer to the PHY databook, "PHY Usage and Configuration" chapter.) The PCS 3.0 internally determines the hard-coded optimal settings for each protocol. However, these settings can be overwritten on a per-protocol basis from these top-level pins when phy_ext_ctrl_sel input is asserted. The protocolP signals correspond to the pcs_laneX_protocol[1:0] value of 00, 01, 10, respectively. Note: Because protocol1 supports only two rates, protocol1_ext*_g3 inputs are not provided.</p>

**PCIe3PHY GRF PRT0 CON67**

Address: Operational Base + offset (0x3184)

Bit	Attr	Reset Value	Description
31:20	RO	0x000	reserved
19:0	RW	0x00000	<p>ext_tx_eq_main_g1 protocolP_ext_tx_eq_main_g1 is a transmitter equalization setting for overrides. External overrides for the per-protocol settings of the PHY's TX equalization inputs. The PCS 3.0 internally determines the hard-coded optimal TX</p>

Bit	Attr	Reset Value	Description
			<p>equalization settings for each protocol and rate. However, these settings can be overwritten on a per-protocol basis from these toplevel pins when the corresponding protocol[0,1,2]_ext_tx_eq_ovrd_[g1,g2,g3,g4] input is asserted. The protocolP signals correspond to the pcs_laneX_protocol[1:0] value of 00, 01, 10, respectively.</p> <p>Because protocol1 supports only two rates, there are no protocol1_ext_*_g3 inputs. Because only protocol0 supports four rates, there are no protocol[1,2]_ext_*_g4 inputs.</p> <p>These signals are concatenated buses whose width is dependent on the number of lanes in the PCS (NLANES). The buses are ordered from highest lane in the MSBs to lane0 in the LSBs.</p>

**PCIe3PHY GRF PRT0 CON68**

Address: Operational Base + offset (0x3188)

Bit	Attr	Reset Value	Description
31:20	RO	0x000	reserved
19:0	RW	0x00000	<p>ext_tx_eq_main_g2 protocolP_ext_tx_eq_main_g2 is a transmitter equalization setting for overrides.</p> <p>External overrides for the per-protocol settings of the PHY's TX equalization inputs.</p> <p>The PCS 3.0 internally determines the hard-coded optimal TX equalization settings for each protocol and rate. However, these settings can be overwritten on a per-protocol basis from these toplevel pins when the corresponding protocol[0,1,2]_ext_tx_eq_ovrd_[g1,g2,g3,g4] input is asserted. The protocolP signals correspond to the pcs_laneX_protocol[1:0] value of 00, 01, 10, respectively.</p> <p>Because protocol1 supports only two rates, there are no protocol1_ext_*_g3 inputs. Because only protocol0 supports four rates, there are no protocol[1,2]_ext_*_g4 inputs.</p> <p>These signals are concatenated buses whose width is dependent on the number of lanes in the PCS (NLANES). The buses are ordered from highest lane in the MSBs to lane0 in the LSBs.</p>

**PCIe3PHY GRF PRT0 CON69**

Address: Operational Base + offset (0x318C)

Bit	Attr	Reset Value	Description
31:20	RO	0x000	reserved
19:0	RW	0x00000	<p>ext_tx_eq_main_g3 protocolP_ext_tx_eq_main_g3 is a transmitter equalization setting for overrides.</p> <p>External overrides for the per-protocol settings of the PHY's TX equalization inputs.</p> <p>The PCS 3.0 internally determines the hard-coded optimal TX equalization settings for each protocol and rate. However, these settings can be overwritten on a per-protocol basis from these toplevel pins when the corresponding protocol[0,1,2]_ext_tx_eq_ovrd_[g1,g2,g3,g4] input is asserted. The protocolP signals correspond to the pcs_laneX_protocol[1:0] value of 00, 01, 10, respectively.</p> <p>Because protocol1 supports only two rates, there are no protocol1_ext_*_g3 inputs. Because only protocol0 supports four rates, there are no protocol[1,2]_ext_*_g4 inputs.</p>

Bit	Attr	Reset Value	Description
			These signals are concatenated buses whose width is dependent on the number of lanes in the PCS (NLANES). The buses are ordered from highest lane in the MSBs to lane0 in the LSBs.

**PCIe3PHY GRF PRT0 CON70**

Address: Operational Base + offset (0x3190)

Bit	Attr	Reset Value	Description
31	RO	0x0	reserved
30:16	RW	0x0000	<p>ext_tx_eq_post_g2 protocolP_ext_tx_eq_post_g2 is a transmitter equalization setting for overrides. External overrides for the per-protocol settings of the PHY's TX equalization inputs. The PCS 3.0 internally determines the hard-coded optimal TX equalization settings for each protocol and rate. However, these settings can be overwritten on a per-protocol basis from these toplevel pins when the corresponding protocol[0,1,2]_ext_tx_eq_ovrd_[g1,g2,g3,g4] input is asserted. The protocolP signals correspond to the pcs_laneX_protocol[1:0] value of 00, 01, 10, respectively. Because protocol1 supports only two rates, there are no protocol1_ext*_g3 inputs. Because only protocol0 supports four rates, there are no protocol[1,2]_ext*_g4 inputs. These signals are concatenated buses whose width is dependent on the number of lanes in the PCS (NLANES). The buses are ordered from highest lane in the MSBs to lane0 in the LSBs.</p>
15	RO	0x0	reserved
14:0	RW	0x0000	<p>ext_tx_eq_post_g1 protocolP_ext_tx_eq_post_g1 is a transmitter equalization setting for overrides. External overrides for the per-protocol settings of the PHY's TX equalization inputs. The PCS 3.0 internally determines the hard-coded optimal TX equalization settings for each protocol and rate. However, these settings can be overwritten on a per-protocol basis from these toplevel pins when the corresponding protocol[0,1,2]_ext_tx_eq_ovrd_[g1,g2,g3,g4] input is asserted. The protocolP signals correspond to the pcs_laneX_protocol[1:0] value of 00, 01, 10, respectively. Because protocol1 supports only two rates, there are no protocol1_ext*_g3 inputs. Because only protocol0 supports four rates, there are no protocol[1,2]_ext*_g4 inputs. These signals are concatenated buses whose width is dependent on the number of lanes in the PCS (NLANES). The buses are ordered from highest lane in the MSBs to lane0 in the LSBs.</p>

**PCIe3PHY GRF PRT0 CON71**

Address: Operational Base + offset (0x3194)

Bit	Attr	Reset Value	Description
31:15	RO	0x00000	reserved
14:0	RW	0x0000	<p>ext_tx_eq_post_g3 protocolP_ext_tx_eq_post_g3 is a transmitter equalization setting for overrides. External overrides for the per-protocol settings of the PHY's TX equalization inputs.</p>

Bit	Attr	Reset Value	Description
			<p>The PCS 3.0 internally determines the hard-coded optimal TX equalization settings for each protocol and rate. However, these settings can be overwritten on a per-protocol basis from these toplevel pins when the corresponding protocol[0,1,2]_ext_tx_eq_ovrd_[g1,g2,g3,g4] input is asserted. The protocolP signals correspond to the pcs_laneX_protocol[1:0] value of 00, 01, 10, respectively.</p> <p>Because protocol1 supports only two rates, there are no protocol1_ext_*_g3 inputs. Because only protocol0 supports four rates, there are no protocol[1,2]_ext_*_g4 inputs.</p> <p>These signals are concatenated buses whose width is dependent on the number of lanes in the PCS (NLANES). The buses are ordered from highest lane in the MSBs to lane0 in the LSBs.</p>

**PCIe3PHY GRF PRT0 CON72**

Address: Operational Base + offset (0x3198)

Bit	Attr	Reset Value	Description
31:16	RW	0x0000	<p>ext_tx_eq_pre_g2 protocolP_ext_tx_eq_pre_g2 is a transmitter equalization setting for overrides. External overrides for the per-protocol settings of the PHY's TX equalization inputs. The PCS 3.0 internally determines the hard-coded optimal TX equalization settings for each protocol and rate. However, these settings can be overwritten on a per-protocol basis from these toplevel pins when the corresponding protocol[0,1,2]_ext_tx_eq_ovrd_[g1,g2,g3,g4] input is asserted. The protocolP signals correspond to the pcs_laneX_protocol[1:0] value of 00, 01, 10, respectively. Because protocol1 supports only two rates, there are no protocol1_ext_*_g3 inputs. Because only protocol0 supports four rates, there are no protocol[1,2]_ext_*_g4 inputs. These signals are concatenated buses whose width is dependent on the number of lanes in the PCS (NLANES). The buses are ordered from highest lane in the MSBs to lane0 in the LSBs.</p>
15:0	RW	0x0000	<p>ext_tx_eq_pre_g1 protocolP_ext_tx_eq_pre_g1 is a transmitter equalization setting for overrides. External overrides for the per-protocol settings of the PHY's TX equalization inputs. The PCS 3.0 internally determines the hard-coded optimal TX equalization settings for each protocol and rate. However, these settings can be overwritten on a per-protocol basis from these toplevel pins when the corresponding protocol[0,1,2]_ext_tx_eq_ovrd_[g1,g2,g3,g4] input is asserted. The protocolP signals correspond to the pcs_laneX_protocol[1:0] value of 00, 01, 10, respectively. Because protocol1 supports only two rates, there are no protocol1_ext_*_g3 inputs. Because only protocol0 supports four rates, there are no protocol[1,2]_ext_*_g4 inputs. These signals are concatenated buses whose width is dependent on the number of lanes in the PCS (NLANES). The buses are ordered from highest lane in the MSBs to lane0 in the LSBs.</p>

**PCIe3PHY GRF PRT0 CON73**

Address: Operational Base + offset (0x319C)

Bit	Attr	Reset Value	Description
31:16	RO	0x0000	reserved
15:0	RW	0x0000	<p>ext_tx_eq_pre_g3 protocolP_ext_tx_eq_pre_g3 is a transmitter equalization setting for overrides. External overrides for the per-protocol settings of the PHY's TX equalization inputs. The PCS 3.0 internally determines the hard-coded optimal TX equalization settings for each protocol and rate. However, these settings can be overwritten on a per-protocol basis from these toplevel pins when the corresponding protocol[0,1,2]_ext_tx_eq_ovrd_[g1,g2,g3,g4] input is asserted. The protocolP signals correspond to the pcs_laneX_protocol[1:0] value of 00, 01, 10, respectively. Because protocol1 supports only two rates, there are no protocol1_ext*_g3 inputs. Because only protocol0 supports four rates, there are no protocol[1,2]_ext*_g4 inputs. These signals are concatenated buses whose width is dependent on the number of lanes in the PCS (NLANES). The buses are ordered from highest lane in the MSBs to lane0 in the LSBs.</p>

## 6.20 PIPE\_PHY\_GRF Register Description

There are three PCIe2PHY\_GRF modules in RK3588.They have different base address.

### 6.20.1 Registers Summary

Name	Offset	Size	Reset Value	Description
PIPE PHY GRF PIPE CON0	0x0000	W	0x00000110	PIPE Combo PHY Configuration Register 0
PIPE PHY GRF PIPE CON1	0x0004	W	0x00000000	PIPE Combo PHY Configuration Register 1
PIPE PHY GRF PIPE CON2	0x0008	W	0x00009401	PIPE Combo PHY Configuration Register 2
PIPE PHY GRF PIPE CON3	0x000C	W	0x00000002	PIPE Combo PHY Configuration Register 3
PIPE PHY GRF PIPE CON4	0x0010	W	0x00000000	PIPE Combo PHY Configuration Register 4
PIPE PHY GRF PIPE STATUS1	0x0034	W	0x000000C0	PIPE Combo PHY Status Register1
PIPE PHY GRF LFPS DET CON	0x0080	W	0x00000009	PIPE Combo PHY LFPS Detect Control Register
PIPE PHY GRF PHY INT EN	0x00A0	W	0x00000000	PIPE Combo PHY Interrupt Signal Enable
PIPE PHY GRF PHY INT STATUS	0x00A4	W	0x00000000	PIPE Combo PHY Interrupt Status

Notes: **Size:** **B**- Byte (8 bits) access, **HW**- Half WORD (16 bits) access, **W**-WORD (32 bits) access, **DW**- Double WORD (64 bits) access

### 6.20.2 Detail Registers Description

#### **PIPE PHY GRF PIPE CON0**

Address: Operational Base + offset (0x0000)

Bit	Attr	Reset Value	Description
31:16	WO	0x0000	write_enable Write enable for lower 16bits, each bit is individual. 1'b0: Write access disable 1'b1: Write access enable
15	RO	0x0	reserved
14	RW	0x0	pipe_rxstandby SATA mode Controls whether the PHY RX is active when the PHY is in any power state with PCLK on. RX_STANDBY is ignored when the PHY is in any power state where the high-speed receiver is always off. 1'b0: Active 1'b1: Standby  PCIe mode Controls whether the PHY RX is active when the PHY is in P0 or P0s. RX_STANDBY is ignored when the PHY is in P1 or P2 1'b0: Active 1'b1: Standby  Only used in SATA and PCIe mode. USB3.0 mode should be tied to 1'b0. The value when override enable is selected.
13	RW	0x0	pipe_rxelecidle_disable RX electrical idle detect disable. The value when override enable is selected. 1'b0: Idle detect enable 1'b1: Idle detect disable
12	RW	0x0	pipe_rxterm Control presence of receiver terminations. The value when override enable is selected. 1'b0: Termination removed 1'b1: Termination present Only used in USB3.0 mode, PCIe and SATA mode should be tied to 1'b1.
11	RW	0x0	pipe_bypass_codec PCIe mode, USB mode, and SATA mode. The value when override enable is selected. Controls whether the PHY performs 8b/10b encode and decode. 1'b0: 8b/10b encode/decode performed normally by the PHY 1'b1: 8b/10b encode/decode bypassed, 20bit 8b/10b encode/decode bypass mode works only when BUS_WIDTH=2'b01 It should be tie to 1'b1 in SATA low latency and SERDES mode.
10	RW	0x0	pipe_ebuffmode RX Elasticity Buffer operating mode selection. The value when override enable is selected. 1'b0: Nominal half-full buffer mode 1'b1: Nominal empty buffer mode In SATA and USB3.0 mode, when RX elastic buffer is operating at nominal empty buffer mode, RX_DATA_VALID is de-asserted which means elastic buffer is empty and no data is available. In PCIe mode, only nominal half-full Elasticity Buffer mode is supported.

Bit	Attr	Reset Value	Description
9	RW	0x0	<p>pipe_l1sub_entreq In PCIe mode L1 sub-state entry request signal in PCIe mode. When set to high, it instructs PHY to do power transition to L1 sub-state.</p> <p>In SATA Mode When set to high, it will be power down PLL.</p> <p>This signal could be connected to the L1 sub-state enable/request signal from controller Only used in PCIe and SATA mode, USB mode should be tied to 1'b0. The value when override enable is selected. Reserved for current chip.</p>
8	RW	0x1	<p>pipe_mac_pclkreq_n PCIe common clock request signal in PCIe mode. The signal shall be low and CKREF_SRC[1:0] is set to 2'b10 when CKREFP/N and PCI_100M_CLK output from PHY is used for PCIe system with common clock Note: Details refer to CKREFP/N and PCI_100M_CLK. Only used in PCIe mode, USB and SATA mode should be tied to 1'b1. This bit is a override bit for input CLKREQ for PHY when override selection enable.</p>
7:6	RW	0x0	<p>pipe_powerdown Power up or power down status control of Transceiver. If PIPE PHY support PIPE4.3, the powerdown is 4-bit, PIPE4.2 or below 2-bit. This filed is powerdown [1:0], powerdown[3:2] is controlled by pipe_powerdown_4p3. The value when override enable is selected.</p> <p>In PCIe mode 4'h0: P0, normal mode 4'h1: P0s, low recovery time latency, power saving state 4'h2: P1, longer recovery time latency, lower power saving 4'h3: P2, lowest power state 4'h4: P1.CPM 4'h5: P1.1 4'hc: P1.2 Others: Reserved</p> <p>In USB3.0 mode 4'h0: P0, normal mode 4'h1: P1, low recovery time latency, power saving state 4'h2: P2, longer recovery time latency, lower power saving 4'h3: P3, lowest power state Others: Reserved</p> <p>In SATA and Serdes mode 4'h0: POWER_STATE_0 operational state, PHY normal operation 4'h1: PCLK on, TX common mode on 4'h3: PCLK on, TX common mode off 4'h5: PCLK off, TX common mode on 4'h7: PCLK off, TX common mode off Others: Reserved</p>



Bit	Attr	Reset Value	Description
5:4	RW	0x1	<p>pipe_rate Combo PHY link signaling rate. The value when override enable is selected.</p> <p>In PCIe mode 2'b00: 2.5GT/s 2'b01: 5.0GT/s Others: Reserved</p> <p>In USB3.0 mode 2'b00: 5GT/s Others: Reserved</p> <p>In SATA mode 2'b00: 1.5GT/s 2'b01: 3.0GT/s 2'b10: 6.0GT/s 2'b11: Reserved</p> <p>In SERDES(QSGMII/SGMII) mode 2'b00: 1.25Gbps 2'b01: Reserved 2'b10: 5.0Gbps 2'b11: Reserved</p>
3:2	RW	0x0	<p>pipe_phymode Combo PHY mode.</p> <p>2'b00: PCIe 2'b01: USB3 2'b10: SATA 2'b11: Serdes</p> <p>In RK3588 Combo PHY PIPE4.3. The PHY and controller usage list below when each PHY mode is set to PCIe: 1L0 connects to Combo PHY1, when pcie1l0_sel is set to 1'b1. 1L1 connects to Combo PHY2, when pcie1l1_sel is set to 1'b1. 1L2 connects to Combo PHY0.</p>
1:0	RW	0x0	<p>pipe_databuswidth Combo PHY PIPE data bus width. The value when override enable is selected.</p> <p>2'b00: 32-bit, PCIe and USB3 only support 32-bit 2'b01: 16-bit, SATA only support 16-bit 2'b10: Reserved 2'b11: Reserved</p>

**PIPE PHY GRF PIPE CON1**

Address: Operational Base + offset (0x0004)

Bit	Attr	Reset Value	Description
31:16	WO	0x0000	<p>write_enable Write enable for lower 16bits, each bit is individual.</p> <p>1'b0: Write access disable 1'b1: Write access enable</p>
15	RO	0x0	reserved

Bit	Attr	Reset Value	Description
14:13	RW	0x0	phy_clk_sel Combo Phy PIPE reference clock frequency selection. 2'b00: 24M 2'b01: 25M 2'b10: 100M 2'b11: Reserved
12:11	RW	0x0	pipe_txpattern_sata Controls which pattern the PHY sends at the Gen 1 rate when sending OOB or initialization signaling. The PHY transmits this pattern at the Gen 1 rate regardless of what rate the PHY is configured at. Used in SATA mode only. The value when override enable is selected. 2'b00: C ALIGN 2'b01: C D24.3 2'b10: C D10.2 2'b11: C Reserved
10:8	RW	0x0	pipe_txmargin Transmit margin control, combined with txswing to control TX output amplitude. The value when override enable is selected.
7:6	RW	0x0	pipe_txdeemph Transmitter de-emphasis level configuration. The value when override enable is selected. 2'b00: -6dB 2'b01: -3.5dB 2'b10: No de-emphasis 2'b11: Reserved
5	RW	0x0	pipe_txswing Control transmitter voltage swing level. The value when override enable is selected. 1'b0: Full swing 1'b1: Low swing
4	RW	0x0	pipe_txcompliance Set the running disparity to negative. Only used in PCIe mode, USB and SATA mode should be tied to 1'b0. The value when override enable is selected.
3	RW	0x0	pipe_txcommonmode_disable TX Common mode Control. 1'b0: Enable 1'b1: Disable The value when override enable is selected.
2	RW	0x0	pipe_txoneszeros This signal is used in USB3.0 mode for transmitting compliance pattern CP7 and CP8. When set to high, it causes the transmitter to transmit an alternating sequence of 0s and 1s, regardless the states of TX_DATA. Only used in USB mode, PCIE and SATA mode should be tied to 1'b0. The value when override enable is selected.

Bit	Attr	Reset Value	Description
1	RW	0x0	pipe_txeleidle Forces TX output to electrical idle when asserted except in loopback, refer to PIPE spec for details on control signal usage. When asserted with TX_COMPLIANCE high, the PHY is fully powered off. Shall be kept high when SATA mode that is not in P0. The value when override enable is selected.
0	RW	0x0	pipe_txdectrx_loopback Used to tell the PHY to begin a receiver detection operation or to begin loopback. Refer to s PIPE spec for detail description. This signal shall be set to low when SATA mode that is not in P0. The value when override enable is selected.

**PIPE PHY GRF PIPE CON2**

Address: Operational Base + offset (0x0008)

Bit	Attr	Reset Value	Description
31:16	WO	0x0000	write_enable Write enable for lower 16bits, each bit is individual. 1'b0: Write access disable 1'b1: Write access enable
15	RW	0x1	sel_pipe_txcompliance pipe_txcompliance selection. Override value is selected for PIPE PHY interface. 1'b0: From controller side (Controller/Constant/PD GRF) 1'b1: From PHY GRF
14	RW	0x0	sel_pipe_txcommonmode_disable pipe_txcommonmode_disable selection. Override value is selected for PIPE PHY interface. 1'b0: From controller side (Controller/Constant/PD GRF) 1'b1: From PHY GRF
13	RW	0x0	sel_pipe_txoneszeros pipe_txoneszeros selection. Override value is selected for PIPE PHY interface. 1'b0: From controller side (Controller/Constant/PD GRF) 1'b1: From PHY GRF
12	RW	0x1	sel_pipe_txeleidle pipe_txeleidle selection. Override value is selected for PIPE PHY interface. 1'b0: From controller side (Controller/Constant/PD GRF) 1'b1: From PHY GRF
11	RW	0x0	sel_pipe_txdectrx_loopback pipe_txdectrx_loopback selection. Override value is selected for PIPE PHY interface. 1'b0: From controller side (Controller/Constant/PD GRF) 1'b1: From PHY GRF
10	RW	0x1	sel_pipe_rxstandby sel_pipe_rxstandby selection. Override value is selected for PIPE PHY interface. 1'b0: From controller side (Controller/Constant/PD GRF) 1'b1: From PHY GRF
9	RW	0x0	sel_pipe_rxeleidle_disable pipe_rxeleidle_disable selection. Override value is selected for PIPE PHY interface. 1'b0: From controller side (Controller/Constant/PD GRF) 1'b1: From PHY GRF

Bit	Attr	Reset Value	Description
8	RW	0x0	sel_pipe_rxterm pipe_rxterm selection. Override value is selected for PIPE PHY interface. 1'b0: From controller side (Controller/Constant/PD GRF) 1'b1: From PHY GRF
7	RW	0x0	sel_pipe_bypass_codec pipe_bypass_codec selection. Override value is selected for PIPE PHY interface. 1'b0: From controller side (Controller/Constant/PD GRF) 1'b1: From PHY GRF
6	RW	0x0	sel_pipe_ebuffmode pipe_ebuffmode selection. Override value is selected for PIPE PHY interface. 1'b0: From controller side (Controller/Constant/PD GRF) 1'b1: From PHY GRF
5	RW	0x0	sel_pipe_l1sub_entreq pipe_l1sub_entreq selection. Override value is selected for PIPE PHY interface. 1'b0: From controller side (Controller/Constant/PD GRF) 1'b1: From PHY GRF
4	RW	0x0	sel_pipe_powerdown pipe_powerdown selection. Override value is selected for PIPE PHY interface. 1'b0: From controller side (Controller/Constant/PD GRF) 1'b1: From PHY GRF
3	RW	0x0	sel_pipe_mac_pclkreq_n pipe_mac_pclkreq_n selection. Override value is selected for PIPE PHY interface. 1'b0: From controller side (Controller/Constant/PD GRF) 1'b1: From PHY GRF
2	RW	0x0	sel_pipe_rate pipe_rate selection. Override value is selected for PIPE PHY interface. 1'b0: From controller side (Controller/Constant/PD GRF) 1'b1: From PHY GRF
1	RW	0x0	sel_pipe_phymode pipe_phymode selection. Override value is selected for PIPE PHY interface. 1'b0: From controller side (Controller/Constant/PD GRF) 1'b1: From PHY GRF Reserved for RK3588
0	RW	0x1	sel_pipe_databuswidth pipe_databuswidth selection. Override value is selected for PIPE PHY interface. 1'b0: From controller side (Controller/Constant/PD GRF) 1'b1: From PHY GRF

**PIPE PHY GRF PIPE CON3**

Address: Operational Base + offset (0x000C)

Bit	Attr	Reset Value	Description
31:16	WO	0x0000	write_enable Write enable for lower 16bits, each bit is individual. 1'b0: Write access disable 1'b1: Write access enable

Bit	Attr	Reset Value	Description
15	RW	0x0	qsgm_mode QSGMII mode enable. 1'b0: Other mode 1'b1: QSGMII/SGMII mode Reserved in RK3588
14:13	RW	0x0	pipe_sel Control the PD PIPE interface source selection. For Combo PIPE PHY0 2'b01: Connect to USB3 Controller 0 2'b10: Connect to SATA Port 0 Others: Reserved  For Combo PIPE PHY1 2'b01: Connect to USB3 Controller 1 2'b10: Connect to SATA Port 1 2'b11: Connect to QSGMII Controller Others: Reserved  For Combo PIPE PHY2 2'b00: Connect to PCIe2.0 Controller 2'b10: Connect to SATA Port 2 2'b11: Connect to QSGMII Controller Others: Reserved Reserved in RK3588
12	RO	0x0	reserved
11	RW	0x0	sel_clkreq CLKREQ for PIPE PHY source selection. Override value is selected for PIPE PHY interface. 1'b0: From controller side(Controller/Constant/PD GRF/PHY GRF) 1'b1: From GPIO mux for CLKREQ_N Because the CLKREQ is valid when high, so the pipe_mac_pclkreq_n should set to "0" when sel_pipe_mac_pclkreq_n is set to "1".
10	RW	0x0	sel_rxelecidle Rxelecidle to controller source selection. Override value is selected for PIPE PHY interface. 1'b0: From PIPE PHY 1'b1: When rxelecidle_disable is high, rxelecidle return "1" to controller
9:8	RW	0x0	phy_clk_ref_src Combo PHY PIPE reference clock source selection. 2'b00: Use PLL_CKREF_INNER as reference clock source, CKREFP/N is not active, the PAD can be floating 2'b01: Use CKREFP/N as input reference clock source 2'b10: Use PLL_CKREF_INNER (From SoC CRU) as reference clock source, Use CKREFP/N as output clock to provide a differential 100M reference clock in PCIe mode while PIPE PHY CLKREQ is high. 2'b11: Not allowed
7:4	RO	0x0	reserved
3	RW	0x0	sel_pipe_txpattern_sata pipe_txpattern_sata selection. Override value is selected for PIPE PHY interface. 1'b0: From controller side (Controller/Constant/PD GRF) 1'b1: From PHY GRF

Bit	Attr	Reset Value	Description
2	RW	0x0	sel_pipe_txmargin pipe_txmargin selection. Override value is selected for PIPE PHY interface. 1'b0: From controller side (Controller/Constant/PD GRF) 1'b1: From PHY GRF
1	RW	0x1	sel_pipe_txdeemph pipe_txdeemph selection. Override value is selected for PIPE PHY interface. 1'b0: From controller side (Controller/Constant/PD GRF) 1'b1: From PHY GRF
0	RW	0x0	sel_pipe_txswing pipe_txswing selection. Override value is selected select for PIPE PHY interface. 1'b0: From controller side (Controller/Constant/PD GRF) 1'b1: From PHY GRF

**PIPE PHY GRF PIPE CON4**

Address: Operational Base + offset (0x0010)

Bit	Attr	Reset Value	Description
31:16	WO	0x0000	write_enable Write enable for lower 16bits, each bit is individual. 1'b0: Write access disable 1'b1: Write access enable
15:9	RO	0x00	reserved
8	RW	0x0	pipe_txdeemph_ext Extra direct control the txdeemph bit3.
7:4	RW	0x0	bist_mode BIST mode test in normal operation. 4'h0: PHY Normal operation, default value of BIST_MODE 4'h8: PHY external BIST from TXP/TXN to RXP/RXN 4'h9: PHY internal BIST 4'ha: PHY send 1'b0 on TXP and 1'b1 on TXN (only for VOL test) 4'hc: PHY send 1'b1 on TXP and 1'b0 on TXN (only for VOH test) 4'he: PHY send D10.2 (only for Eye-Diagram test) Others: Reserved
3:2	RW	0x0	serdes_arch This signal indicates whether Serdes architecture and SATA low latency is enabled. 2'b00: PCIe/USB/SATA normal working 2'b01: Used for SATA SAPIs compliant controller, that bypass PHY elastic buffer to reduce latency, RX_DATA is the result of comma align. 2'b10: General serdes mode and RX_DATA is the result of CDR in PMA 2'b11: General serdes mode and RX_DATA is the result of comma align
1:0	RW	0x0	pipe_powerdown_4p3 For PIPE4.3 interface, the powerdown are 4 bit, the field is for powerdown[3:2]. Override value when override enable is selected.

**PIPE PHY GRF PIPE STATUS1**

Address: Operational Base + offset (0x0034)

Bit	Attr	Reset Value	Description
31:10	RO	0x000000	reserved

Bit	Attr	Reset Value	Description
9	RO	0x0	pipe_clkreq_n Indicates that the PHY is in corresponding state to L1-sub-state in PCIE mode, during which PHY reference clock could be turned off. This signal could connect to corresponding signal in controller IP, if applicable.
8	RO	0x0	pipe_power_presetn Reserved
7	RO	0x1	pipe_rxelecidle_o Indicates receiver detection of an electrical idle. When de-asserted with the PHY in P2 (PCIE Mode), indicates a detection of beacon, while indicate exit from electrical idle in other power states in PCIe mode. In USB3.0 mode, it indicates the detection of LFPS. In SATA mode, it indicates if there is no data/OOB received.
6	RO	0x1	pipe_phystatus_o Used to communicate completion of several PHY functions including power management state transitions, rate change and receiver detection.
5:3	RO	0x0	pipe_rxstatus_o PIPE PHY receiver status. Encode receiver status and error codes for the received data stream when receiving data. 3'b000: Received data OK 3'b001: PCIe mode, 1 SKP added; USB mode: 1 SKP added; SATA mode: 1 ALIGN added Asseted width first byte of Align that was added 3'b010: PCIe mode: 1 SKP Ordered set removed; 1 SKP Ordered Set removed; SATA mode: 1 or more ALIGNs 3'b011: PCIe and USB mode: Receiver detected 3'b100: 8B/10B decode error 3'b101: Elastic buffer overflow 3'b110: Elastic buffer under flow, this error code is not used if the elastic buffer is operating in the nominal buffer empty mode 3'b111: Receive disparity error, overwritten by decode error
2:0	RO	0x0	reserved

**PIPE PHY GRF LFPS DET CON**

Address: Operational Base + offset (0x0080)

Bit	Attr	Reset Value	Description
31:8	RO	0x000000	reserved
7:0	RW	0x09	lfps_detect_con LFPS Detect Count Filter Control. This counter determines whether a rxelecidle (high pulse) is valid or not. The counter is based on Combo PIPE PHY APB PCLK.

**PIPE PHY GRF PHY INT EN**

Address: Operational Base + offset (0x00A0)

Bit	Attr	Reset Value	Description
31:3	RO	0x00000000	reserved
2	RW	0x0	rxlecidle_l1_fall_irq_en rxlecidle_l1_fall irq enable. 1'b0: IRQ disable 1'b1: IRQ enable Reserved for current PHY.

Bit	Attr	Reset Value	Description
1:0	RW	0x0	rxelecidle_l0_fall_irq_en rxelecidle_l0_fall_irq enable. 1'b0: IRQ disable 1'b1: IRQ enable

**PIPE PHY GRF PHY INT STATUS**

Address: Operational Base + offset (0x00A4)

Bit	Attr	Reset Value	Description
31:2	RO	0x00000000	reserved
1	W1 C	0x0	rxelecidle_l1_fall_irq_st rxelecidle_l1_fall_irq status. 1'b0: Interrupt inactive 1'b1: Interrupt active Reserved for current PHY.
0	W1 C	0x0	rxelecidle_l0_fall_irq_st rxelecidle_l0_fall_irq status. 1'b0: Interrupt inactive 1'b1: Interrupt active

**6.21 USBDPHY\_GRF Register Description**

There are two USBDPHY\_GRF modules in RK3588.They have different base address.

**6.21.1 Registers Summary**

Name	Offset	Size	Reset Value	Description
USBDPHY_GRF_CON1	0x0004	W	0x00000000	USBDPHY Control Register 1
USBDPHY_GRF_CON2	0x0008	W	0x00000000	USBDPHY Control Register 2
USBDPHY_GRF_CON3	0x000C	W	0x00000000	USBDPHY Control Register 3
USBDPHY_GRF_STATUS1	0x0084	W	0x00000000	USBDPHY Status Register
USBDPHY_GRF_LFPS_DETECT_CON	0x00C0	W	0x00000009	LFPS Detect Control
USBDPHY_GRF_INT_EN	0x00C4	W	0x00000000	Interrupt Enable Register
USBDPHY_GRF_INT_STATUS	0x00C8	W	0x00000000	Interrupt Status Register

Notes: **B**- Byte (8 bits) access, **HW**- Half WORD (16 bits) access, **W**-WORD (32 bits) access, **DW**- Double WORD (64 bits) access

**6.21.2 Detail Registers Description**

**USBDPHY\_GRF\_CON1**

Address: Operational Base + offset (0x0004)

Bit	Attr	Reset Value	Description
31:16	WO	0x0000	write_enable Write enable for lower 16bits, each bit is individual 1'b0: Write access disable 1'b1: Write access enable
15	RO	0x0	reserved
14	RW	0x0	rx_lfps_en Enable RX LFPS Detector Block. 1'b1: RX SQ enable 1'b0: RX SQ disable



Bit	Attr	Reset Value	Description
13	RW	0x0	usbdp_low_pwrn Used for the PMA power off function. 1'b0: PMA block power off 1'b1: PMA block power on
12:0	RO	0x0000	reserved

**USBDFPHY GRF CON2**

Address: Operational Base + offset (0x0008)

Bit	Attr	Reset Value	Description
31:16	WO	0x0000	write_enable Write enable for lower 16bits, each bit is individual 1'b0: Write access disable 1'b1: Write access enable
15	RW	0x0	phy_clamp 1'b0: Normal mode 1'b1: Clamp PHY output to special value
14:13	RW	0x0	debug_clock_sel select phy debug clock output 2'b00: o_vcoclk_div40_mon 2'b01: o_dbg_clk 2'b10: o_dp_txclk 2'b11: o_vcoclk_div40_mon
12	RW	0x0	debug_clk_gate_disable 1'b0: Gate phy debug clock output 1'b1: Do not gate phy debug clock output
11:0	RO	0x000	reserved

**USBDFPHY GRF CON3**

Address: Operational Base + offset (0x000C)

Bit	Attr	Reset Value	Description
31:16	WO	0x0000	write_enable Write enable for lower 16bits, each bit is individual 1'b0: Write access disable 1'b1: Write access enable
15:6	RO	0x000	reserved
5	RW	0x0	soft_pipe3_txdetectrxloopbk When USBDFPHY_GRF_CON3[0] is 1'b1, tx_detectrx_loopback is controlled by this bit.
4:3	RW	0x0	soft_pipe3_powerdown When USBDFPHY_GRF_CON3[0] is 1'b1, powerdown is controlled by this bit.
2	RW	0x0	soft_pipe3_txelecidle When USBDFPHY_GRF_CON3[0] is 1'b1, tx_elecidle is controlled by this bit.
1	RW	0x0	soft_pipe3_rxtermination When USBDFPHY_GRF_CON3[0] is 1'b1, rx_termination is controlled by this bit.
0	RW	0x0	grf_control_sel 1'b0: Normal mode 1'b1: rx_termination , tx_elecidle, powerdown, tx_detectrx_loopback are controlled by GRF

**USBDFPHY GRF STATUS1**

Address: Operational Base + offset (0x0084)

Bit	Attr	Reset Value	Description
31:25	RO	0x00	reserved
24:22	RO	0x0	pipe_rxstatus Encodes receiver status and error codes for the received data stream when receiving data.
21	RO	0x0	pipe_rxelecidle Indicates receiver detection of an electrical idle. While deasserted with the PHY in P2, indicates detection of a beacon.
20	RO	0x0	pipe_phy_status Used to communicate completion of several PHY functions including power management state transitions, rate change, and receiver detection.
19	RO	0x0	pll_lock_done PLL Lock Indication This bit is high when PLL Locking is complete.
18:0	RO	0x00000	reserved

**USBPPHY GRF LFPS DET CON**

Address: Operational Base + offset (0x00C0)

Bit	Attr	Reset Value	Description
31:8	RO	0x000000	reserved
7:0	RW	0x09	lfps_detect_con LFPS filter counter control

**USBPPHY GRF INT EN**

Address: Operational Base + offset (0x00C4)

Bit	Attr	Reset Value	Description
31:1	RO	0x00000000	reserved
0	RW	0x0	lfps_l0_beacon_int_en beacon interrupt enable 1'b0: Interrupt disable 1'b1: Interrupt enable

**USBPPHY GRF INT STATUS**

Address: Operational Base + offset (0x00C8)

Bit	Attr	Reset Value	Description
31:1	RO	0x00000000	reserved
0	RW	0x0	lfps_l0_beacon_int_status beacon interrupt status Write 1 to this bit will clear the interrupt

**6.22 USB2PHY\_GRF Register Description**

There are four USB2PHY\_GRF modules in RK3588.They have different base address.

**6.22.1 Registers Summary**

Name	Offset	Size	Reset Value	Description
USB2PHY_GRF_CON0	0x0000	W	0x00007066	USB2PHY Control Register 0
USB2PHY_GRF_CON1	0x0004	W	0x00007633	USB2PHY Control Register 1
USB2PHY_GRF_CON2	0x0008	W	0x00000D00	USB2PHY Control Register 2
USB2PHY_GRF_CON3	0x000C	W	0x00000200	USB2PHY Control Register 3

Name	Offset	Size	Reset Value	Description
USB2PHY GRF CON4	0x0010	W	0x00000000	USB2PHY Control Register 4
USB2PHY GRF LS CON	0x0040	W	0x00030100	USB2PHY Linestate Filter Control
USB2PHY GRF DIS CON	0x0044	W	0x00030100	USB2PHY Disconnect Filter Control
USB2PHY GRF BVALID CON	0x0048	W	0x00030100	USB2PHY BValid Filter Control
USB2PHY GRF ID CON	0x004C	W	0x00030100	USB2PHY ID Filter Control
USB2PHY GRF INT MASK	0x0080	W	0x00000000	Interrupt Mask Register
USB2PHY GRF INT STATUS	0x0084	W	0x00000000	Interrupt Status Register
USB2PHY GRF INT STATUS CLR	0x0088	W	0x00000000	Interrupt Clear Register
USB2PHY GRF STATUS0	0x00C0	W	0x00000000	USB2PHY Status Register

Notes: **Size:** **B**- Byte (8 bits) access, **HW**- Half WORD (16 bits) access, **W**-WORD (32 bits) access, **DW**- Double WORD (64 bits) access

### 6.22.2 Detail Registers Description

#### USB2PHY GRF CON0

Address: Operational Base + offset (0x0000)

Bit	Attr	Reset Value	Description
31:16	WO	0x0000	write_enable Write enable for lower 16bits, each bit is individual 1'b0: Write access disable 1'b1: Write access enable
15	RW	0x0	port_reset Per-Port Reset When asserted, this signal resets the corresponding port's transmit and receive logic without disabling the clocks within the USB 2.0 PHY. 1'b1: The transmit and receive finite state machines (FSMs) are reset, and the line_state logic combinatorially reflects the state of the single-ended receivers. 1'b0: The transmit and receive FSMs are operational, and the line_state logic becomes sequential after 11 PHYCLOCK0 cycles.
14	RW	0x1	pllbtune PLL Bandwidth adjustment This adjustment doubles the bandwidth of the PLL as needed for some input reference clock frequencies.

Bit	Attr	Reset Value	Description
13:10	RW	0xc	<p>pllptune PLL Proportional Path Tune This signal should be set to the Design default.</p> <p>4'b1111: 4.75x 4'b1110: 4.50x 4'b1101: 4.25x 4'b1100: 4.00x, Design default 4'b1011: 3.75x 4'b1010: 3.50x 4'b1001: 3.25x 4'b1000: 3.00x 4'b0111: 2.75x 4'b0110: 2.50x 4'b0101: 2.25x 4'b0100: 2.00x 4'b0011: 1.75x 4'b0010: 1.50x 4'b0001: 1.25x 4'b0000: 1.00x</p>
9:8	RW	0x0	<p>pllitune PLL Integral Path Tune This signal should be set to the Design default.</p> <p>2'b11: 2.0x 2'b10: 1.5x 2'b01: 1.0x 2'b00: 0.5x, Design</p>
7:5	RW	0x3	<p>tune VBUS Valid Threshold Adjustment This bus adjusts the voltage level for the VBUS Valid threshold.</p> <p>3'b111: +12.59% 3'b110: +9.63% 3'b101: +6.42% 3'b100: +3.21% 3'b011: 0, Design default 3'b010: -2.96% 3'b001: -6.17% 3'b000: -9.38%</p>
4	RW	0x0	<p>disable OTG Block Disable This signal powers down the VBUS Valid comparator, but not the Session Valid comparator, nor the ID detection circuitry. To save power, if the application does not use the OTG function, this input can be set high.</p> <p>1'b1: The OTG block is powered down. 1'b0: The OTG block is powered up.</p>

Bit	Attr	Reset Value	Description
3:1	RW	0x3	<p>compdistune Disconnect Threshold Adjustment This bus adjusts the voltage level for the threshold used to detect a disconnect event at the host.</p> <p>3'b111: +15.20% 3'b110: +11.15% 3'b101: +7.05% 3'b100: +3.59% 3'b011: 0 3'b010: -2.94% 3'b001: -5.96% 3'b000: -8.58%</p>
0	RW	0x0	<p>common_on_n Common Block Power-Down Control This signal controls the power-down signals in the REFCLK_LOGIC, Bias, and PLL blocks when the USB 2.0 PHY is in Suspend, or Sleep mode.</p> <p>1'b1: In Suspend mode, the REFCLK_LOGIC, Bias, and PLL blocks are powered down. In Sleep mode, the Bias and PLL blocks are powered down. 1'b0: In Suspend or Sleep modes, the REFCLK_LOGIC, Bias, and PLL blocks remain powered. With this setting, the input reference clock must remain on and valid during suspend or sleep.</p>

**USB2PHY GRF CON1**

Address: Operational Base + offset (0x0004)

Bit	Attr	Reset Value	Description
31:16	WO	0x0000	<p>write_enable Write enable for lower 16bits, each bit is individual 1'b0: Write access disable 1'b1: Write access enable</p>
15:14	RW	0x1	<p>txrisetune HS Transmitter Rise/Fall Time Adjustment This bus adjusts the rise/fall times of the high-speed waveform.</p> <p>2'b11: -3.24% 2'b10: -1.33% 2'b01: 0, Design default 2'b00: +2.19%</p>
13:12	RW	0x3	<p>txhsxvtune Transmitter High-Speed Crossover Adjustment This bus adjusts the voltage at which the DP0 and DM0 signals cross while transmitting in HS mode.</p> <p>2'b11: 0, Default setting 2'b10: +11.05 mV 2'b01: -9.2 mV 2'b00: +0.67 mV</p>

Bit	Attr	Reset Value	Description
11:8	RW	0x6	<p>txvreftune                      HS DC Voltage Level Adjustment                      This bus adjusts the high-speed DC level voltage.                      4'b1111: +21.58%                      4'b1110: +17.66%                      4'b1101: +13.74%                      4'b1100: +11.78%                      4'b1011: +9.81%                      4'b1010: +7.85%                      4'b1001: +5.89%                      4'b1000: +3.92%                      4'b0111: +1.96%                      4'b0110: 0, Design default                      4'b0101: -1.96%                      4'b0100: -3.92%                      4'b0011: -5.89%                      4'b0010: -7.85%                      4'b0001: -9.81%                      4'b0000: -13.73%</p>
7:4	RW	0x3	<p>txfslstune                      This bus adjusts the low- and full-speed single-ended source impedance while driving high. The following adjustment values are based on nominal process, voltage, and temperature.                      4'b1111: -10.33%                      4'b0111: -5.49%                      4'b0011: 0, Design default                      4'b0001: +6.34%                      4'b0000: +13.63%                      All other bit settings are reserved.</p>
3	RW	0x0	<p>txpreemppulsetune                      This signal controls the duration for which the HS pre-emphasis current is sourced onto DP0 or DM0. The HS Transmitter preemphasis duration is defined in terms of unit amounts. One unit of pre- emphasis duration is approximately 580 ps and is defined as 1X pre- emphasis duration.                      1'b1: 1x, short pre-emphasis current duration                      1'b0 (design default): 2x, long pre-emphasis current duration</p>
2:0	RW	0x3	<p>sqrxrtune                      Squelch Threshold Adjustment                      This bus adjusts the voltage level for the threshold used to detect valid high-speed data.                      3'b111: -21.12%                      3'b110: -15.93%                      3'b101: -10.53%                      3'b100: -5.41%                      3'b011: 0, Design default                      3'b010: +5.14%                      3'b001: +10.51%                      3'b000: +15.68%</p>

**USB2PHY GRF CON2**

Address: Operational Base + offset (0x0008)

Bit	Attr	Reset Value	Description
31:16	WO	0x0000	write_enable Write enable for lower 16bits, each bit is individual 1'b0: Write access disable 1'b1: Write access enable
15	RO	0x0	reserved
14	RW	0x0	dcdenb Enhanced Data Contact Detection Enable Enables current sourcing on the D+ line. For special applications, the IDP_SRC control and the RDM_DWN control are separated. For standard DCD operation in accordance with the Battery Charger v1.2 specification, simultaneously set DCDENB0=1'b1 (to enable IDP_SRC) and set DMPULLDOWN0=1'b1 (to enable RDM_DWN). Set both signals to 1'b0 when DCD is completed. 1'b1: IDP_SRC current is sourced onto DP0 1'b0: IDP_SRC current is disabled
13	RW	0x0	siddq IDDQ Test Enable This test signal enables you to perform IDDQ testing by powering down all analog blocks. Before asserting SIDDQ, ensure that TESTBURNIN is set to 1'b0, and RETENABLEN is set to 1'b1. 1'b1: The analog blocks are powered down. 1'b0: The analog blocks are powered up.
12:11	RW	0x1	txrestune USB Source Impedance Adjustment In some applications, there can be significant series resistance on the D+ and D- paths between the transceiver and cable. This bus adjusts the driver source impedance to compensate for added series resistance on the USB. Note: Any setting other than the default can result in source impedance variation across process, voltage, and temperature conditions that does not meet USB 2.0 specification limits. 2'b11: Source impedance is decreased by approximately 4.74 ohm 2'b10: Source impedance is decreased by approximately 2.5 ohm 2'b01: 0, Design default 2'b00: Source impedance is increased by approximately 3.23 ohm If this bus is not used, leave it at the default setting.
10	RW	0x1	sleempm Sleep Assertion Asserting this signal places the USB 2.0 PHY in Sleep mode according to the USB 2.0 Link Power Management (LPM) addendum to the USB 2.0 specification. In Sleep mode, the transmitter is tristated and the USB 2.0 PHY circuits are powered down except for the REFCLK_LOGIC block. The REFCLK_LOGIC block remains powered when the USB 2.0 PHY is placed in Sleep mode. 1'b1: Normal operating mode 1'b0: Sleep mode
9	RO	0x0	reserved

Bit	Attr	Reset Value	Description
8	RW	0x1	<b>retenable_n</b> Retention Mode Enable Retention mode allows the USB 2.0 PHY to retain internal digital core signal states when the PHY DVDD supply is lowered to a process specific retention voltage level. Retention mode also forces all internal DVDD-to-VDD18 level translators into a predefined state based on the PHY operating mode.
7	RW	0x0	<b>vdatsrcenb</b> Battery Charging Sourcing Select Enables or disables sourcing for battery charging. 1'b1: Data source voltage (VDAT_SRC) is enabled. 1'b0: Data source voltage (VDAT_SRC) is disabled.
6	RW	0x0	<b>vdatdetenb</b> Battery Charging Attach/Connect Detection Enable Enables or disables attach/connect detection. 1'b1: Data detect voltage (CHG_DET) is enabled. 1'b0: Data detect voltage (CHG_DET) is disabled.
5	RW	0x0	<b>chrgsel</b> Determines whether current is sourced onto or sunk from DP0 or DM0. The definitions shown below apply when CHRGSRCPUENB0[1:0]=2'b00. See CHRGSRCPUENB0[1:0] for other modes. 1'b1: Data source voltage (VDAT_SRC) is sourced onto DM0 and sunk from DP0. 1'b0: Data source voltage (VDAT_SRC) is sourced onto DP0 and sunk from DM0.
4:3	RW	0x0	<b>txpreempamptune</b> HS Transmitter Pre-Emphasis Current Control This signal controls the amount of current sourced to DP0 and DM0 after a J-to-K or K-to-J transition. The HS Transmitter pre-emphasis current is defined in terms of unit amounts. One unit amount is approximately 2 mA and is defined as 1X pre-emphasis current. 2'b11: HS Transmitter pre-emphasis circuit sources 3x pre-emphasis current. 2'b10: HS Transmitter pre-emphasis circuit sources 2x pre-emphasis current. 2'b01: HS Transmitter pre-emphasis circuit sources 1x pre-emphasis current. 2'b00 (design default): HS Transmitter pre-emphasis is disabled.
2	RW	0x0	<b>soft_con_sel</b> Soft control select Bit.
1	RW	0x0	<b>vbusvldextsel</b> External VBUS Valid Select This signal selects either the VBUSVLDEXT0 input or the internal Session Valid comparator to detect whether the VBUS signal on the USB cable is valid and to assert the DP0 pull-up resistor. The activation of the DP0 pull-up resistor also depends on the state of XCVRSEL0[1:0], OPMODE0[1:0], TERMSEL0, DPPULLDOWN0, and DMPULLDOWN0. 1'b1: The VBUSVLDEXT0 input is used to assert the DP0 pull-up resistor. 1'b0: The internal Session Valid comparator is used to assert the DP0 pull-up resistor.



Bit	Attr	Reset Value	Description
0	RW	0x0	<b>vbusvldext</b> External VBUS Valid Indicator This signal is valid in Device mode and only when the VBUSVLDEXTSELO signal is set to 1'b1. VBUSVLDEXT0 indicates whether the VBUS signal on the USB cable is valid. In addition, VBUSVLDEXT0 enables the pull-up resistor on the D+ line. VBUSVLDEXT0 does not change the OTGSESSVLD0 output. 1'b1: The VBUS signal is valid, and the pull-up resistor on D+ is enabled. 1'b0: The VBUS signal is not valid, and the pull-up resistor on D+ is disabled. In Host mode, this input is not used and can be tied to 1'b0.

**USB2PHY GRF CON3**

Address: Operational Base + offset (0x000C)

Bit	Attr	Reset Value	Description
31:16	WO	0x0000	<b>write_enable</b> Write enable for lower 16bits, each bit is individual 1'b0: Write access disable 1'b1: Write access enable
15:11	RW	0x00	<b>suspend_con</b> Only exist in GRF for USB2PHY of U3 port. usbphy suspend control signal. If USB2PHY_GRF_CON3[11] is 1, USB2PHY.SUSPENDM0 is controlled by USB2PHY_GRF_CON3[12]; If USB2PHY_GRF_CON3[11] is 0 and USB2PHY_GRF_CON3[14:13] is 0x3, USB2PHY.SUSPENDM0 is controlled by usbotg_utmi_suspend_n & usbotg_utmi_l1_suspend_n; If USB2PHY_GRF_CON3[11] is 0 and USB2PHY_GRF_CON3[14:13] is 0x1, USB2PHY.SUSPENDM0 is controlled by USB2PHY_GRF_CON3[15]; If USB2PHY_GRF_CON3[11] is 0 and USB2PHY_GRF_CON3[13] is 0x0, USB2PHY.SUSPENDM0 is controlled by ~usbotg_utmi_suspend_com_n & ~usbotg_utmi_l1_suspend_com_n.
10:9	RW	0x1	<b>vdatreftune0</b> Data Detect Voltage Adjustment This bus adjusts the threshold voltage level (Vdat_ref) used to detect data during charger type detection. 2'b11: -19.8% 2'b10: -9.84% 2'b01: 0, Design default 2'b00: +9.93%
8	RW	0x0	<b>hsxcvextctl0</b> HS Transceiver Asynchronous Control This signal asynchronously selects the HS transceiver Tx/Rx path. This signal can be used with the bypass signals in "UART/Autoresume Signals" on page 50 to perform proprietary tests on the HS Tx / Rx paths. The PHY must be in an HS state with XCVRSEL0[1:0] = 2'b00 and TERMSEL0 = 1'b0. 1'b1: HS Tx/Rx path is selected 1'b0: FS Tx/Rx path is selected

Bit	Attr	Reset Value	Description
7	RW	0x0	<p>autorsmenb0                      Autoresume Mode Enable                      Autoresume mode can be used when the USB 2.0 PHY is operating in a host role. This mode enables the autoresume logic in the PHY, so that the PHY will automatically respond to a remote wake-up resume-k from a peripheral, without initial involvement from the host controller. The PHY will respond to a remote wake-up resume-k by driving out its own resume-k. The PHY resume-k will be held until the host controller takes over and configures the PHY to continue driving the resume-k.</p>
6	RW	0x0	<p>bypasssel                      Transmitter Digital Bypass Select                      Enables/disables Transmitter Digital Bypass mode. The standard FS UART mode is selected by setting HSXCVREXTCTL0 = 1'b0, and a proprietary HS test mode is selected by setting HSXCVREXTCTL0 = 1'b1.                      1'b1: Transmitter Digital Bypass mode is enabled.                      1'b0: Transmitter Digital Bypass mode is disabled</p>
5	RW	0x0	<p>bypassdm0                      DM0 Transmitter Digital Bypass Enable                      Enables/disables the DM0 FS/LS driver (if HSXCVREXTCTL0 = 1'b0) in Transmitter Digital Bypass mode. FS mode is the standard UART mode. To use this mode, BYPASSSEL0 must be 1'b1.                      1'b1: DM0 FS/LS driver (if HSXCVREXTCTL0 = 1'b0) is enabled and driven with the BYPASSDPDATA0 signal.                      1'b0: DM0 FS/LS driver (if HSXCVREXTCTL0 = 1'b0) is disabled in Transmitter Digital Bypass mode.</p>
4	RW	0x0	<p>sft_utmi_termselect                      When soft_con_sel is 1'b1, termselect is controlled by sft_utmi_termselect.</p>
3:2	RW	0x0	<p>sft_utmi_xcvsel                      When soft_con_sel is 1'b1, xcvsel is controlled by sft_utmi_xcvsel.</p>
1:0	RW	0x0	<p>sft_utmi_opmode                      When soft_con_sel is 1'b1, opmode is controlled by sft_utmi_opmode.</p>

**USB2PHY GRF CON4**

Address: Operational Base + offset (0x0010)

Bit	Attr	Reset Value	Description
31:16	WO	0x0000	<p>write_enable                      Write enable for lower 16bits, each bit is individual                      1'b0: Write access disable                      1'b1: Write access enable</p>
15:9	RO	0x00	reserved
8	RW	0x0	<p>sft_suspend_n                      Only exist in GRF for USB2PHY of U2 port.                      When soft_con_sel is 1'b1, suspend is controlled by sft_suspend_n register.</p>
7:4	RO	0x0	reserved
3	RW	0x0	<p>sft_vbus_sel                      VBUS software control select.</p>

Bit	Attr	Reset Value	Description
2	RW	0x0	sft_vbus When sft_vbus_sel is 1'b1, vbusvalid and bvalid is controlled by sft_vbus.
1	RO	0x0	reserved
0	RW	0x0	idpullup Only exist in GRF for USB2PHY of U3 port. Pull-up enable control for IDDIG pin. High valid.

**USB2PHY GRF LS CON**

Address: Operational Base + offset (0x0040)

Bit	Attr	Reset Value	Description
31:20	RO	0x000	reserved
19:0	RW	0x30100	linestate_filter_con host/otg port linestate filter time control register. Unit:PCLK

**USB2PHY GRF DIS CON**

Address: Operational Base + offset (0x0044)

Bit	Attr	Reset Value	Description
31:20	RO	0x000	reserved
19:0	RW	0x30100	disconnect_filter_con host/otg port hostdisconnect filter time control register. Unit:PCLK

**USB2PHY GRF BVALID CON**

Address: Operational Base + offset (0x0048)

Bit	Attr	Reset Value	Description
31:20	RO	0x000	reserved
19:0	RW	0x30100	bvalid_filter_con otg port bvalid filter time control register. Unit:PCLK

**USB2PHY GRF ID CON**

Address: Operational Base + offset (0x004C)

Bit	Attr	Reset Value	Description
31:28	RO	0x0	reserved
27:0	RW	0x0030100	id_filter_con otg ID port filter time control register. Unit:PCLK

**USB2PHY GRF INT MASK**

Address: Operational Base + offset (0x0080)

Bit	Attr	Reset Value	Description
31:16	WO	0x0000	write_enable Write enable for lower 16bits, each bit is individual 1'b0: Write access disable 1'b1: Write access enable
15:7	RO	0x000	reserved
6:5	RW	0x0	otg0_disconnect_irq_en otg0_disconnect_irq edge status enable 2'bx1: Disconnect rising edge irq status enable 2'b1x: Disconnect falling edge irq status enable
4:3	RW	0x0	otg0_id_irq_en otg0_id edge status enable 2'bx1: ID rising edge irq status enable 2'b1x: ID falling edge irq status enable

Bit	Attr	Reset Value	Description
2:1	RW	0x0	otg0_bvalid_irq_en otg0_bvalid edge status irq enable 2'bx1: Bvalid rising edge irq status enable 2'b1x: Bvalid falling edge irq status enable
0	RW	0x0	otg0_linestate_irq_en otg0_linestate change status irq enable High valid.

**USB2PHY GRF INT STATUS**

Address: Operational Base + offset (0x0084)

Bit	Attr	Reset Value	Description
31:7	RO	0x0000000	reserved
6:5	RO	0x0	otg0_disconnect_irq otg0_disconnect_irq edge status 2'bx1: Disconnect rising edge irq status 2'b1x: Disconnect falling edge irq status
4:3	RO	0x0	otg0_id_irq otg0_id edge status 2'bx1: ID rising edge irq status 2'b1x: ID falling edge irq status
2:1	RO	0x0	otg0_bvalid_irq otg0_bvalid edge status irq status 2'bx1: Bvalid rising edge irq status 2'b1x: Bvalid falling edge irq status
0	RO	0x0	otg0_linestate_irq otg0_linestate change status irq status

**USB2PHY GRF INT STATUS CLR**

Address: Operational Base + offset (0x0088)

Bit	Attr	Reset Value	Description
31:7	RO	0x0000000	reserved
6:5	WO	0x0	otg0_disconnect_irq_clr otg0_disconnect_irq edge status clear, write 1 to clear irq status 2'bx1: Disconnect rising edge irq status clear, write 1 to clear irq status 2'b1x: Disconnect falling edge irq status clear, write 1 to clear irq status
4:3	WO	0x0	otg0_id_irq_clr otg0_id edge status clear, write 1 to clear irq status 2'bx1: ID rising edge irq status clear, write 1 to clear irq status 2'b1x: ID falling edge irq status clear, write 1 to clear irq status
2:1	WO	0x0	otg0_bvalid_irq_clr otg0_bvalid edge status irq status clear, write 1 to clear irq status 2'bx1: Bvalid rising edge irq status clear, write 1 to clear irq status 2'b1x: Bvalid falling edge irq status clear, write 1 to clear irq status
0	WO	0x0	otg0_linestate_irq_clr otg0_linestate change status irq status clear, write 1 to clear irq status

**USB2PHY GRF STATUS0**

Address: Operational Base + offset (0x00C0)

Bit	Attr	Reset Value	Description
31:12	RO	0x00000	reserved

Bit	Attr	Reset Value	Description
11	RO	0x0	<p>otgssessvld                      OTG Device Session Valid Indicator (Low Voltage) This controller signal is output from the USB 2.0 PHY's Session Valid comparator and indicates whether the voltage on VBUS is below the OTG Device Session Valid threshold.                      1'b1: The voltage on VBUS is above the OTG Device Session Valid threshold.                      1'b0: The voltage on VBUS is below the OTG Device Session Valid threshold.</p>
10:9	RO	0x0	<p>utmi_linestate                      Line State Indicator                      This controller bus reflects the state of the single-ended receivers. In Suspend or Sleep mode, this bus is a combinatorial output (directly reflecting the current state of D- and D+, respectively).                      11: SE1 (D+ high, D- high)                      10: K state for high-speed and full-speed USB traffic; J state for low-speed USB traffic (D+ low, D- high)                      01: J state for high-speed and full-speed USB traffic; K state for low-speed USB traffic (D+ high, D- low)                      00: SE0 (D+ low, D- low)</p>
8	RO	0x0	<p>utmi_vbusvalid                      VBUS valid status.</p>
7	RO	0x0	<p>utmi_avalid                      VBUS avalid status.</p>
6	RO	0x0	<p>utmi_bvalid                      VBUS bvalid status.</p>
5	RO	0x0	<p>utmi_iddig                      IDDIG status.                      1'b0: Host                      1'b1: Device</p>
4	RO	0x0	<p>hsrxdat0                      This signal asynchronously outputs the state of the HS receiver. This signal can be used with the bypass signals in "UART/Autoresume Signals" on page 50 to perform proprietary tests on the HS Rx block. The PHY must be in an HS state with XCVRSEL0[1:0] = 2'b00 and TERMSEL0 = 1'b0. HSXCVREXTCTL0 must be set to 1'b1 to use this mode. HSRXDAT0 is gated to 1'b0 if HSXCVREXTCTL0 = 1'b0.                      1'b1: If HSXCVREXTCTL0 = 1'b1 and HSSQUELCH0 = 1'b0, the HS differential receiver has detected an HS J.                      1'b0: If HSXCVREXTCTL0 = 1'b1 and HSSQUELCH0 = 1'b0, the HS differential receiver has detected an HS K.</p>
3	RO	0x0	<p>hssquelch0                      HS Squelch Detector Asynchronous Output                      This signal asynchronously outputs the state of the HS squelch detector. This signal can be used with the bypass signals in "UART/Autoresume Signals" on page 50 to perform proprietary tests on the HS Rx block. The PHY must be in an HS state with XCVRSEL[1:0] = 2'b00 and TERMSEL = 1'b0. HSXCVREXTCTL must be set to 1'b1 to use this mode. HSSQUELCH is gated to 1'b0 if HSXCVREXTCTL = 1'b0.                      1'b1: If HSXCVREXTCTL = 1'b1, the HS squelch detector has not detected a valid HS VIL level. The line is squelched.</p>

Bit	Attr	Reset Value	Description
			1'b0: If HSXCVREXTCTL = 1'b1, the HS squelch detector has detected a valid HS VIL level. The line is not squelched. The HSRXDAT signal indicates whether the detected signal is a J or a K.
2	RO	0x0	fsvminus Single-Ended D- Indicator This controller signal indicates the state of the D- line in normal operation. 1'b1: The voltage on D- is high. 1'b0: The voltage on D- is low
1	RO	0x0	fsvplus Single-Ended D+ Indicator This controller signal indicates the state of the D+ line during normal operation or UART data reception. 1'b1: The voltage on D+ is high. 1'b0: The voltage on D+ is low
0	RO	0x0	chgdet Battery Charger Detection Output Indicates whether the voltage level on DP0 or DM0 is greater than VDAT_REF as defined in the Battery Charger specification. 1'b1: VDP > VDAT_REF (for CHRGSEL0 = 1'b1) or VDM > VDAT_REF (for CHRGSEL0 = 1'b0) 1'b0: VDP < VDAT_REF (for CHRGSEL0 = 1'b1) or VDM < VDAT_REF (for CHRGSEL0 = 1'b0)

## 6.23 HDPTXPHY\_GRF Register Description

There are two HDMITXPHY\_GRF modules in RK3588.They have different base address.

### 6.23.1 Registers Summary

Name	Offset	Size	Reset Value	Description
HDPTXPHY_GRF_CON0	0x0000	W	0x00000000	HDPTXPHY Control Register 0
HDPTXPHY_GRF_CON1	0x0004	W	0x00000000	HDPTXPHY Control Register 1
HDPTXPHY_GRF_STATUS0	0x0080	W	0x00000000	HDPTXPHY Status Register

Notes: **Size: B**- Byte (8 bits) access, **HW**- Half WORD (16 bits) access, **W**-WORD (32 bits) access, **DW**- Double WORD (64 bits) access

### 6.23.2 Detail Registers Description

#### HDPTXPHY\_GRF\_CON0

Address: Operational Base + offset (0x0000)

Bit	Attr	Reset Value	Description
31:16	WO	0x0000	write_enable Write enable for lower 16bits, each bit is individual 1'b0: Write access disable 1'b1: Write access enable
15:12	RO	0x0	reserved
11:10	RW	0x0	ro_ref_clk_sel Input Reference Clock source selector This pin controls reference clock source 2'b00: Input reference clock from refclk_xtal 2'b01: Input reference clock from sideband IO. 2'b10: Input reference clock from LC PLL (cascade mode). 2'b11: Input reference clock from refclk_soc_pll (System PLL).

Bit	Attr	Reset Value	Description
9:8	RW	0x0	lc_ref_clk_sel Input Reference Clock source selector This pin controls reference clock source 2'b00: Input reference clock from refclk_xtal 2'b01: Input reference clock from sideband IO. 2'b10: Input reference clock from RO PLL. 2'b11: Input reference clock from refclk_soc_pll (System PLL).
7	RW	0x0	pll_en PLL Block Enable Signal. 1'b0: Disable 1'b1: Enable
6	RW	0x0	bias_en Bias Block Enable Signal 1'b0: Disable 1'b1: Enable
5	RW	0x0	bgr_en Band Gap Reference Block Enable Signal. 1'b0: Disable 1'b1: Enable
4	RW	0x0	tx_aux_tx_mode When hdptx_mode_sel is 1'b0, this bit controls the i_aux_tx_mode of PHY. Enables transmission in AUX mode.
3	RW	0x0	earc_rx_mode When hdptx_mode_sel is 1'b1, this bit controls the i_earc_rx_mode of PHY. Enables CMDC receiver in eARC mode.
2	RW	0x0	earc_tx_mode When hdptx_mode_sel is 1'b1, this bit controls the i_earc_tx_mode of PHY. Enables CMDC transmission in eARC mode.
1	RO	0x0	reserved
0	RW	0x0	hdptx_mode_sel 1'b0: earc_tx_mode/earc_rx_mode/aux_tx_mode is controlled by HDMITX controller 1'b1: earc_tx_mode/earc_rx_mode/aux_tx_mode is controlled by EDP controller or GRF.

**HDPTXPHY GRF CON1**

Address: Operational Base + offset (0x0004)

Bit	Attr	Reset Value	Description
31:16	WO	0x0000	write_enable Write enable for lower 16bits, each bit is individual 1'b0: Write access disable 1'b1: Write access enable
15:8	RO	0x00	reserved
7	RW	0x0	dbgclk_gate 1'b0: Gate debug clock. 1'b1: Do not gate debug clock.
6:4	RO	0x0	reserved

Bit	Attr	Reset Value	Description
3:0	RW	0x0	dbgclk_sel Debug clock select: 4'd0: hdptx_o_dig_refclk 4'd1: hdptx_o_mon_clk 4'd2: hdptx_o_earc_dmac_rxclk 4'd3: hdptx_o_tx_link_sym_clk 4'd4: hdptx_o_tx_hs_clk 4'd5: hdptx_i_tx_data_clk 4'd6: hdptx_o_hdmi_pixel_clk 4'd7: hdptx_o_aux_arc_rxdata 4'd8: hdptx_i_aux_earc_txdata_i 4'd9: hdptx_i_aux_tx_mode

### HDPTXPHY GRF STATUS0

Address: Operational Base + offset (0x0080)

Bit	Attr	Reset Value	Description
31:4	RO	0x0000000	reserved
3	RO	0x0	o_pll_lock_done PLL Lock Indication The pin is high when PLL locking is completed. This means that all the output clocks are at the correct frequency.
2	RO	0x0	o_phy_clk_rdy Indicates PHY data path clock outputs are stable 1'b1: Clocks are ready 1'b0: Clocks are not ready
1	RO	0x0	o_phy_rdy Indicates PHY lanes are ready for data transmission 1'b1: PHY lanes are ready 1'b0: PHY lanes are not ready
0	RO	0x0	o_sb_rdy Indicates sideband calibrations are complete and ready for sideband transceiver operations 1'b1: Sideband block ready 1'b0: Sideband block not ready

## 6.24 MIPICDPHY\_GRF Register Description

There are two MIPICDPHY\_GRF modules in RK3588.They have different base address.

### 6.24.1 Registers Summary

Name	Offset	Size	Reset Value	Description
MIPICDPHY_GRF_CON0	0x0000	W	0x00000000	MIPICDPHY Control Register 0
MIPICDPHY_GRF_CON1	0x0004	W	0x00000000	MIPICDPHY Control Register 1
MIPICDPHY_GRF_STATUS0	0x0080	W	0x00000000	MIPICDPHY Status Register 0
MIPICDPHY_GRF_STATUS1	0x0084	W	0x00000000	MIPICDPHY Status Register 1
MIPICDPHY_GRF_STATUS2	0x0088	W	0x00000000	MIPICDPHY Status Register 2

Notes: **Size:** **B**- Byte (8 bits) access, **HW**- Half WORD (16 bits) access, **W**-WORD (32 bits) access, **DW**- Double WORD (64 bits) access

### 6.24.2 Detail Registers Description



**MIPICDPHY GRF CON0**

Address: Operational Base + offset (0x0000)

Bit	Attr	Reset Value	Description
31:16	WO	0x0000	write_enable Write enable for lower 16bits, each bit is individual 1'b0: Write access disable 1'b1: Write access enable
15	RW	0x0	dcphy_clamp_en DCPHY output clamp enable 1'b0: Normal mode 1'b1: Clamp phy output to special value
14:4	RO	0x000	reserved
3	RW	0x0	s_cphy_mode C-PHY mode select signal of slave data lane.
2:1	RO	0x0	reserved
0	RW	0x0	m_cphy_mode C-PHY mode select signal of master data lane.

**MIPICDPHY GRF CON1**

Address: Operational Base + offset (0x0004)

Bit	Attr	Reset Value	Description
31:16	WO	0x0000	write_enable Write enable for lower 16bits, each bit is individual 1'b0: Write access disable 1'b1: Write access enable
15	RW	0x0	dcphy_hsclock_inv_sel 1'b0: Normal mode 1'b1: Invert M_TXWORDCLKHSCLK to controller.
14	RW	0x0	ppi_if_man_en If ppi_if_man_en is 1, M_TXREQUESTESC0, M_TXTRIGGERESC0, M_TXCLKESCCLK and M_TXCLKESC0 are controlled by GRF.
13:10	RW	0x0	m_txtriggeresc Escape mode transmit trigger 0. If ppi_if_man_en is 1, M_TXTRIGGERESC0 is controlled by this bit.
9	RW	0x0	m_txrequestesc Escape mode transmit request, high active. If ppi_if_man_en is 1, M_TXREQUESTESC0 is controlled by this bit.
8	RW	0x0	txclkesc Escape mode clock. If ppi_if_man_en is 1, M_TXCLKESCCLK and M_TXCLKESC0 is controlled by this bit.
7:4	RW	0x0	s_forcerxmode Force lane into receive mode/wait for stop state. Active high.
3:0	RW	0x0	m_forcetxtstopmode Force lane into transmit mode generate stop state. Active high.

**MIPICDPHY GRF STATUS0**

Address: Operational Base + offset (0x0080)

Bit	Attr	Reset Value	Description
31:10	RO	0x000000	reserved

Bit	Attr	Reset Value	Description
9	RO	0x0	pll_cnt_done When PLL_EN is set to high , PLL lock counter is started to generate a delay to get a stabilized clock. The lock counter expires when the count value reaches the value set as REG_PLL_LOCK_CNT(pll_con7[15:0]). Then, the interface signal PLL_CNT_DONE is asserted.
8	RO	0x0	m_stopstateclk Lane is in stop state. Active high.
7:4	RO	0x0	s_stop_state Lane is in stop state. Active high.
3:0	RO	0x0	m_stopstate Data lane is in stop state. Active high.

### **MIPICDPHY GRF STATUS1**

Address: Operational Base + offset (0x0084)

Bit	Attr	Reset Value	Description
31:5	RO	0x0000000	reserved
4:0	RO	0x00	m_phyerr0lane Master lane error status.

### **MIPICDPHY GRF STATUS2**

Address: Operational Base + offset (0x0088)

Bit	Attr	Reset Value	Description
31:16	RO	0x0000	reserved
15:12	RO	0x0	s_phyerr3 Slave lane error status.
11:8	RO	0x0	s_phyerr2 Slave lane error status.
7:4	RO	0x0	s_phyerr1 Slave lane error status.
3:0	RO	0x0	s_phyerr0 Slave lane error status.

## **6.25 PMU1\_IOC Register Description**

### **6.25.1 Registers Summary**

Name	Offset	Size	Reset Value	Description
PMU1_IOC_GPIO0A_IOMUX_SEL_L	0x0000	W	0x00000020	GPIO0A IOMUX Select Low bits
PMU1_IOC_GPIO0A_IOMUX_SEL_H	0x0004	W	0x00000000	GPIO0A IOMUX Select High bits
PMU1_IOC_GPIO0B_IOMUX_SEL_L	0x0008	W	0x00000000	GPIO0B IOMUX Select Low bits
PMU1_IOC_GPIO0A_DS_L	0x0010	W	0x00001111	GPIO0A Driver Strength Control Low bits
PMU1_IOC_GPIO0A_DS_H	0x0014	W	0x00001111	GPIO0A Driver Strength Control High bits
PMU1_IOC_GPIO0B_DS_L	0x0018	W	0x00001111	GPIO0B Driver Strength Control Low bits
PMU1_IOC_GPIO0A_P	0x0020	W	0x0000C751	GPIO0A Pull-up/down Control
PMU1_IOC_GPIO0B_P	0x0024	W	0x00000030	GPIO0B Pull-up/down Control

Name	Offset	Size	Reset Value	Description
PMU1_IOC_GPIO0A_IE	0x0028	W	0x000000FF	GPIO0A Input Enable Control
PMU1_IOC_GPIO0B_IE	0x002C	W	0x0000000F	GPIO0B Input Enable Control
PMU1_IOC_GPIO0A_SMT	0x0030	W	0x00000000	GPIO0A Schmitt Trigger Control
PMU1_IOC_GPIO0B_SMT	0x0034	W	0x00000000	GPIO0B Schmitt Trigger Control
PMU1_IOC_GPIO0A_PDIS	0x0038	W	0x00000000	GPIO0A Auto Pull-up/down disable Control
PMU1_IOC_GPIO0B_PDIS	0x003C	W	0x00000000	GPIO0B Auto Pull-up/down disable Control
PMU1_IOC_XIN_CON	0x0040	W	0x00000008	OSC control Register

Notes: **B**- Byte (8 bits) access, **HW**- Half WORD (16 bits) access, **W**-WORD (32 bits) access, **DW**- Double WORD (64 bits) access

## 6.25.2 Detail Registers Description

### PMU1\_IOC\_GPIO0A\_IOMUX\_SEL\_L

Address: Operational Base + offset (0x0000)

Bit	Attr	Reset Value	Description
31:16	WO	0x0000	write_enable Write enable for lower 16bits, each bit is individual 1'b0: Write access disable 1'b1: Write access enable
15:12	RW	0x0	gpio0a3_sel 4'h0: GPIO 4'h1: PMIC_SLEEP2
11:8	RW	0x0	gpio0a2_sel 4'h0: GPIO 4'h1: PMIC_SLEEP1 4'h2: TSADC_SHUT_M1
7:4	RW	0x2	gpio0a1_sel 4'h0: GPIO 4'h1: TSADC_SHUT_ORG 4'h2: TSADC_SHUT
3:0	RW	0x0	gpio0a0_sel 4'h0: GPIO 4'h1: REFCLK_OUT

### PMU1\_IOC\_GPIO0A\_IOMUX\_SEL\_H

Address: Operational Base + offset (0x0004)

Bit	Attr	Reset Value	Description
31:16	WO	0x0000	write_enable Write enable for lower 16bits, each bit is individual 1'b0: Write access disable 1'b1: Write access enable
15:12	RW	0x0	gpio0a7_sel 4'h0: GPIO 4'h1: PMIC_INT_L
11:8	RW	0x0	gpio0a6_sel 4'h0: GPIO 4'h1: SPI2_MOSI_M2 4'h2: I2C0_SDA_M0
7:4	RW	0x0	gpio0a5_sel 4'h0: GPIO 4'h1: SPI2_CLK_M2 4'h2: SDMMC_PWREN 4'h3: PMU_DEBUG

Bit	Attr	Reset Value	Description
3:0	RW	0x0	gpio0a4_sel 4'h0: GPIO 4'h1: SDMMC_DET

**PMU1 IOC GPIO0B IOMUX SEL L**

Address: Operational Base + offset (0x0008)

Bit	Attr	Reset Value	Description
31:16	WO	0x0000	write_enable Write enable for lower 16bits, each bit is individual 1'b0: Write access disable 1'b1: Write access enable
15:12	RW	0x0	gpio0b3_sel 4'h0: GPIO 4'h1: SPI2_MISO_M2 4'h2: I2C0_SCL_M0
11:8	RW	0x0	gpio0b2_sel 4'h0: GPIO 4'h1: CLK32K_IN 4'h2: CLK32K_OUT0
7:4	RW	0x0	gpio0b1_sel 4'h0: GPIO 4'h1: SPI2_CS0_M2 4'h2: I2C1_SDA_M1 4'h3: PWM5_M0 4'h4: UART0_TX_M1
3:0	RW	0x0	gpio0b0_sel 4'h0: GPIO 4'h1: SPI2_CS1_M2 4'h2: I2C1_SCL_M1 4'h4: UART0_RX_M1

**PMU1 IOC GPIO0A DS L**

Address: Operational Base + offset (0x0010)

Bit	Attr	Reset Value	Description
31:16	WO	0x0000	write_enable Write enable for lower 16bits, each bit is individual 1'b0: Write access disable 1'b1: Write access enable
15:14	RO	0x0	reserved
13:12	RW	0x1	gpio0a3_ds GPIO0A3 DS control Driver Strength Selection 2'b00: 2.5mA 100ohm 2'b10: 5mA 50ohm 2'b01: 7.5mA 33ohm 2'b11: 10mA 25ohm
11:10	RO	0x0	reserved
9:8	RW	0x1	gpio0a2_ds GPIO0A2 DS control Driver Strength Selection 2'b00: 2.5mA 100ohm 2'b10: 5mA 50ohm 2'b01: 7.5mA 33ohm 2'b11: 10mA 25ohm
7:6	RO	0x0	reserved

Bit	Attr	Reset Value	Description
5:4	RW	0x1	gpio0a1_ds GPIO0A1 DS control Driver Strength Selection 2'b00: 2.5mA 100ohm 2'b10: 5mA 50ohm 2'b01: 7.5mA 33ohm 2'b11: 10mA 25ohm
3:2	RO	0x0	reserved
1:0	RW	0x1	gpio0a0_ds GPIO0A0 DS control Driver Strength Selection 2'b00: 2.5mA 100ohm 2'b10: 5mA 50ohm 2'b01: 7.5mA 33ohm 2'b11: 10mA 25ohm

**PMU1 IOC GPIO0A DS H**

Address: Operational Base + offset (0x0014)

Bit	Attr	Reset Value	Description
31:16	WO	0x0000	write_enable Write enable for lower 16bits, each bit is individual 1'b0: Write access disable 1'b1: Write access enable
15:14	RO	0x0	reserved
13:12	RW	0x1	gpio0a7_ds GPIO0A7 DS control Driver Strength Selection 2'b00: 2.5mA 100ohm 2'b10: 5mA 50ohm 2'b01: 7.5mA 33ohm 2'b11: 10mA 25ohm
11:10	RO	0x0	reserved
9:8	RW	0x1	gpio0a6_ds GPIO0A6 DS control Driver Strength Selection 2'b00: 2.5mA 100ohm 2'b10: 5mA 50ohm 2'b01: 7.5mA 33ohm 2'b11: 10mA 25ohm
7:6	RO	0x0	reserved
5:4	RW	0x1	gpio0a5_ds GPIO0A5 DS control Driver Strength Selection 2'b00: 2.5mA 100ohm 2'b10: 5mA 50ohm 2'b01: 7.5mA 33ohm 2'b11: 10mA 25ohm
3:2	RO	0x0	reserved
1:0	RW	0x1	gpio0a4_ds GPIO0A4 DS control Driver Strength Selection 2'b00: 2.5mA 100ohm 2'b10: 5mA 50ohm 2'b01: 7.5mA 33ohm 2'b11: 10mA 25ohm

**PMU1 IOC GPIO0B DS L**

Address: Operational Base + offset (0x0018)

Bit	Attr	Reset Value	Description
31:16	WO	0x0000	write_enable Write enable for lower 16bits, each bit is individual 1'b0: Write access disable 1'b1: Write access enable
15:14	RO	0x0	reserved
13:12	RW	0x1	gpio0b3_ds GPIO0B3 DS control Driver Strength Selection 2'b00: 2.5mA 100ohm 2'b10: 5mA 50ohm 2'b01: 7.5mA 33ohm 2'b11: 10mA 25ohm
11:10	RO	0x0	reserved
9:8	RW	0x1	gpio0b2_ds GPIO0B2 DS control Driver Strength Selection 2'b00: 2.5mA 100ohm 2'b10: 5mA 50ohm 2'b01: 7.5mA 33ohm 2'b11: 10mA 25ohm
7:6	RO	0x0	reserved
5:4	RW	0x1	gpio0b1_ds GPIO0B1 DS control Driver Strength Selection 2'b00: 2.5mA 100ohm 2'b10: 5mA 50ohm 2'b01: 7.5mA 33ohm 2'b11: 10mA 25ohm
3:2	RO	0x0	reserved
1:0	RW	0x1	gpio0b0_ds GPIO0B0 DS control Driver Strength Selection 2'b00: 2.5mA 100ohm 2'b10: 5mA 50ohm 2'b01: 7.5mA 33ohm 2'b11: 10mA 25ohm

**PMU1 IOC GPIO0A P**

Address: Operational Base + offset (0x0020)

Bit	Attr	Reset Value	Description
31:16	WO	0x0000	write_enable Write enable for lower 16bits, each bit is individual 1'b0: Write access disable 1'b1: Write access enable
15	RW	0x1	gpio0a7_ps GPIO0A7 PS control Weak PU/PD Resistor Selection 1'b0: PD Selection 1'b1: PU Selection

Bit	Attr	Reset Value	Description
14	RW	0x1	gpio0a7_pe GPIO0A7 PE control Active High Weak PU/PD Resistor Enable 1'b0: PU/PD Disable 1'b1: PU/PD Enable
13	RW	0x0	gpio0a6_ps GPIO0A6 PS control Weak PU/PD Resistor Selection 1'b0: PD Selection 1'b1: PU Selection
12	RW	0x0	gpio0a6_pe GPIO0A6 PE control Active High Weak PU/PD Resistor Enable 1'b0: PU/PD Disable 1'b1: PU/PD Enable
11	RW	0x0	gpio0a5_ps GPIO0A5 PS control Weak PU/PD Resistor Selection 1'b0: PD Selection 1'b1: PU Selection
10	RW	0x1	gpio0a5_pe GPIO0A5 PE control Active High Weak PU/PD Resistor Enable 1'b0: PU/PD Disable 1'b1: PU/PD Enable
9	RW	0x1	gpio0a4_ps GPIO0A4 PS control Weak PU/PD Resistor Selection 1'b0: PD Selection 1'b1: PU Selection
8	RW	0x1	gpio0a4_pe GPIO0A4 PE control Active High Weak PU/PD Resistor Enable 1'b0: PU/PD Disable 1'b1: PU/PD Enable
7	RW	0x0	gpio0a3_ps GPIO0A3 PS control Weak PU/PD Resistor Selection 1'b0: PD Selection 1'b1: PU Selection
6	RW	0x1	gpio0a3_pe GPIO0A3 PE control Active High Weak PU/PD Resistor Enable 1'b0: PU/PD Disable 1'b1: PU/PD Enable
5	RW	0x0	gpio0a2_ps GPIO0A2 PS control Weak PU/PD Resistor Selection 1'b0: PD Selection 1'b1: PU Selection
4	RW	0x1	gpio0a2_pe GPIO0A2 PE control Active High Weak PU/PD Resistor Enable 1'b0: PU/PD Disable 1'b1: PU/PD Enable

Bit	Attr	Reset Value	Description
3	RW	0x0	gpio0a1_ps GPIO0A1 PS control Weak PU/PD Resistor Selection 1'b0: PD Selection 1'b1: PU Selection
2	RW	0x0	gpio0a1_pe GPIO0A1 PE control Active High Weak PU/PD Resistor Enable 1'b0: PU/PD Disable 1'b1: PU/PD Enable
1	RW	0x0	gpio0a0_ps GPIO0A0 PS control Weak PU/PD Resistor Selection 1'b0: PD Selection 1'b1: PU Selection
0	RW	0x1	gpio0a0_pe GPIO0A0 PE control Active High Weak PU/PD Resistor Enable 1'b0: PU/PD Disable 1'b1: PU/PD Enable

**PMU1\_IOC\_GPIO0B\_P**

Address: Operational Base + offset (0x0024)

Bit	Attr	Reset Value	Description
31:16	WO	0x0000	write_enable Write enable for lower 16bits, each bit is individual 1'b0: Write access disable 1'b1: Write access enable
15:8	RO	0x00	reserved
7	RW	0x0	gpio0b3_ps GPIO0B3 PS control Weak PU/PD Resistor Selection 1'b0: PD Selection 1'b1: PU Selection
6	RW	0x0	gpio0b3_pe GPIO0B3 PE control Active High Weak PU/PD Resistor Enable 1'b0: PU/PD Disable 1'b1: PU/PD Enable
5	RW	0x1	gpio0b2_ps GPIO0B2 PS control Weak PU/PD Resistor Selection 1'b0: PD Selection 1'b1: PU Selection
4	RW	0x1	gpio0b2_pe GPIO0B2 PE control Active High Weak PU/PD Resistor Enable 1'b0: PU/PD Disable 1'b1: PU/PD Enable
3	RW	0x0	gpio0b1_ps GPIO0B1 PS control Weak PU/PD Resistor Selection 1'b0: PD Selection 1'b1: PU Selection



Bit	Attr	Reset Value	Description
2	RW	0x0	gpio0b1_pe GPIO0B1 PE control Active High Weak PU/PD Resistor Enable 1'b0: PU/PD Disable 1'b1: PU/PD Enable
1	RW	0x0	gpio0b0_ps GPIO0B0 PS control Weak PU/PD Resistor Selection 1'b0: PD Selection 1'b1: PU Selection
0	RW	0x0	gpio0b0_pe GPIO0B0 PE control Active High Weak PU/PD Resistor Enable 1'b0: PU/PD Disable 1'b1: PU/PD Enable

**PMU1 IOC GPIO0A IE**

Address: Operational Base + offset (0x0028)

Bit	Attr	Reset Value	Description
31:16	WO	0x0000	write_enable Write enable for lower 16bits, each bit is individual 1'b0: Write access disable 1'b1: Write access enable
15:8	RO	0x00	reserved
7	RW	0x1	gpio0a7_ie GPIO0A7 IE control Active High input buffer enable
6	RW	0x1	gpio0a6_ie GPIO0A6 IE control Active High input buffer enable
5	RW	0x1	gpio0a5_ie GPIO0A5 IE control Active High input buffer enable
4	RW	0x1	gpio0a4_ie GPIO0A4 IE control Active High input buffer enable
3	RW	0x1	gpio0a3_ie GPIO0A3 IE control Active High input buffer enable
2	RW	0x1	gpio0a2_ie GPIO0A2 IE control Active High input buffer enable
1	RW	0x1	gpio0a1_ie GPIO0A1 IE control Active High input buffer enable
0	RW	0x1	gpio0a0_ie GPIO0A0 IE control Active High input buffer enable

**PMU1 IOC GPIO0B IE**

Address: Operational Base + offset (0x002C)

Bit	Attr	Reset Value	Description
31:16	WO	0x0000	write_enable Write enable for lower 16bits, each bit is individual 1'b0: Write access disable 1'b1: Write access enable
15:4	RO	0x000	reserved
3	RW	0x1	gpio0b3_ie GPIO0B3 IE control Active High input buffer enable
2	RW	0x1	gpio0b2_ie GPIO0B2 IE control Active High input buffer enable
1	RW	0x1	gpio0b1_ie GPIO0B1 IE control Active High input buffer enable
0	RW	0x1	gpio0b0_ie GPIO0B0 IE control Active High input buffer enable

**PMU1 IOC GPIO0A SMT**

Address: Operational Base + offset (0x0030)

Bit	Attr	Reset Value	Description
31:16	WO	0x0000	write_enable Write enable for lower 16bits, each bit is individual 1'b0: Write access disable 1'b1: Write access enable
15:8	RO	0x00	reserved
7	RW	0x0	gpio0a7_smt GPIO0A7 SMT control CMOS/Schmitt Trigger Selection 1'b0: CMOS Input 1'b1: Schmitt Trigger input
6	RW	0x0	gpio0a6_smt GPIO0A6 SMT control CMOS/Schmitt Trigger Selection 1'b0: CMOS Input 1'b1: Schmitt Trigger input
5	RW	0x0	gpio0a5_smt GPIO0A5 SMT control CMOS/Schmitt Trigger Selection 1'b0: CMOS Input 1'b1: Schmitt Trigger input
4	RW	0x0	gpio0a4_smt GPIO0A4 SMT control CMOS/Schmitt Trigger Selection 1'b0: CMOS Input 1'b1: Schmitt Trigger input
3	RW	0x0	gpio0a3_smt GPIO0A3 SMT control CMOS/Schmitt Trigger Selection 1'b0: CMOS Input 1'b1: Schmitt Trigger input

Bit	Attr	Reset Value	Description
2	RW	0x0	gpio0a2_smt GPIO0A2 SMT control CMOS/Schmitt Trigger Selection 1'b0: CMOS Input 1'b1: Schmitt Trigger input
1	RW	0x0	gpio0a1_smt GPIO0A1 SMT control CMOS/Schmitt Trigger Selection 1'b0: CMOS Input 1'b1: Schmitt Trigger input
0	RW	0x0	gpio0a0_smt GPIO0A0 SMT control CMOS/Schmitt Trigger Selection 1'b0: CMOS Input 1'b1: Schmitt Trigger input

**PMU1 IOC GPIO0B SMT**

Address: Operational Base + offset (0x0034)

Bit	Attr	Reset Value	Description
31:16	WO	0x0000	write_enable Write enable for lower 16bits, each bit is individual 1'b0: Write access disable 1'b1: Write access enable
15:4	RO	0x000	reserved
3	RW	0x0	gpio0b3_smt GPIO0B3 SMT control CMOS/Schmitt Trigger Selection 1'b0: CMOS Input 1'b1: Schmitt Trigger input
2	RW	0x0	gpio0b2_smt GPIO0B2 SMT control CMOS/Schmitt Trigger Selection 1'b0: CMOS Input 1'b1: Schmitt Trigger input
1	RW	0x0	gpio0b1_smt GPIO0B1 SMT control CMOS/Schmitt Trigger Selection 1'b0: CMOS Input 1'b1: Schmitt Trigger input
0	RW	0x0	gpio0b0_smt GPIO0B0 SMT control CMOS/Schmitt Trigger Selection 1'b0: CMOS Input 1'b1: Schmitt Trigger input

**PMU1 IOC GPIO0A PDIS**

Address: Operational Base + offset (0x0038)

Bit	Attr	Reset Value	Description
31:16	WO	0x0000	write_enable Write enable for lower 16bits, each bit is individual 1'b0: Write access disable 1'b1: Write access enable
15:8	RO	0x00	reserved
7	RW	0x0	gpio0a7_pull_dis when 1'b1, disable GPIO0A7 pull up/down when output enable

Bit	Attr	Reset Value	Description
6	RW	0x0	gpio0a6_pull_dis when 1'b1, disable GPIO0A6 pull up/down when output enable
5	RW	0x0	gpio0a5_pull_dis when 1'b1, disable GPIO0A5 pull up/down when output enable
4	RW	0x0	gpio0a4_pull_dis when 1'b1, disable GPIO0A4 pull up/down when output enable
3	RW	0x0	gpio0a3_pull_dis when 1'b1, disable GPIO0A3 pull up/down when output enable
2	RW	0x0	gpio0a2_pull_dis when 1'b1, disable GPIO0A2 pull up/down when output enable
1	RW	0x0	gpio0a1_pull_dis when 1'b1, disable GPIO0A1 pull up/down when output enable
0	RW	0x0	gpio0a0_pull_dis when 1'b1, disable GPIO0A0 pull up/down when output enable

**PMU1\_IOC\_GPIO0B\_PDIS**

Address: Operational Base + offset (0x003C)

Bit	Attr	Reset Value	Description
31:16	WO	0x0000	write_enable Write enable for lower 16bits, each bit is individual 1'b0: Write access disable 1'b1: Write access enable
15:4	RO	0x000	reserved
3	RW	0x0	gpio0b3_pull_dis when 1'b1, disable GPIO0B3 pull up/down when output enable
2	RW	0x0	gpio0b2_pull_dis when 1'b1, disable GPIO0B2 pull up/down when output enable
1	RW	0x0	gpio0b1_pull_dis when 1'b1, disable GPIO0B1 pull up/down when output enable
0	RW	0x0	gpio0b0_pull_dis when 1'b1, disable GPIO0B0 pull up/down when output enable

**PMU1\_IOC\_XIN\_CON**

Address: Operational Base + offset (0x0040)

Bit	Attr	Reset Value	Description
31:4	RO	0x0000000	reserved
3:2	RW	0x2	xin_osc_sf XIN OSC frequency pin selection 2'b00: 1MHz - 12MHz 2'b01: 26.1MHz - 36MHz 2'b10: 12.1MHz - 26MHz 2'b11: 36.1MHz - 52MHz
1	RO	0x0	reserved
0	RW	0x0	xin_osc_en XIN OSC enable

## 6.26 PMU2\_IOC Register Description

### 6.26.1 Registers Summary

Name	Offset	Size	Reset Value	Description
PMU2_IOC_GPIO0B_IOMUX_SEL_H	0x0000	W	0x00000000	GPIO0B IOMUX Select High bits
PMU2_IOC_GPIO0C_IOMUX_SEL_L	0x0004	W	0x00000000	GPIO0C IOMUX Select Low bits
PMU2_IOC_GPIO0C_IOMUX_SEL_H	0x0008	W	0x00000000	GPIO0C IOMUX Select High bits
PMU2_IOC_GPIO0D_IOMUX_SEL_L	0x000C	W	0x00000000	GPIO0D IOMUX Select Low bits
PMU2_IOC_GPIO0D_IOMUX_SEL_H	0x0010	W	0x00000000	GPIO0D IOMUX Select High bits
PMU2_IOC_GPIO0B_DS_H	0x0014	W	0x00006660	GPIO0B Driver Strength Control High bits
PMU2_IOC_GPIO0C_DS_L	0x0018	W	0x00006666	GPIO0C Driver Strength Control Low bits
PMU2_IOC_GPIO0C_DS_H	0x001C	W	0x00006666	GPIO0C Driver Strength Control High bits
PMU2_IOC_GPIO0D_DS_L	0x0020	W	0x00006666	GPIO0D Driver Strength Control Low bits
PMU2_IOC_GPIO0D_DS_H	0x0024	W	0x00000666	GPIO0D Driver Strength Control High bits
PMU2_IOC_GPIO0B_P	0x0028	W	0x00005400	GPIO0B Pull-up/down Control
PMU2_IOC_GPIO0C_P	0x002C	W	0x00007D55	GPIO0C Pull-up/down Control
PMU2_IOC_GPIO0D_P	0x0030	W	0x00001FFD	GPIO0D Pull-up/down Control
PMU2_IOC_GPIO0B_IE	0x0034	W	0x000000E0	GPIO0B Input Enable Control
PMU2_IOC_GPIO0C_IE	0x0038	W	0x000000FF	GPIO0C Input Enable Control
PMU2_IOC_GPIO0D_IE	0x003C	W	0x0000007F	GPIO0D Input Enable Control
PMU2_IOC_GPIO0B_SMT	0x0040	W	0x00000000	GPIO0B Schmitt Trigger Control
PMU2_IOC_GPIO0C_SMT	0x0044	W	0x00000000	GPIO0C Schmitt Trigger Control
PMU2_IOC_GPIO0D_SMT	0x0048	W	0x00000000	GPIO0D Schmitt Trigger Control
PMU2_IOC_GPIO0B_PDIS	0x004C	W	0x00000000	GPIO0B Auto Pull-up/down disable Control
PMU2_IOC_GPIO0C_PDIS	0x0050	W	0x00000000	GPIO0C Auto Pull-up/down disable Control
PMU2_IOC_GPIO0D_PDIS	0x0054	W	0x00000000	GPIO0D Auto Pull-up/down disable Control

Notes: **B**- Byte (8 bits) access, **HW**- Half WORD (16 bits) access, **W**-WORD (32 bits) access, **DW**- Double WORD (64 bits) access

### 6.26.2 Detail Registers Description

#### **PMU2\_IOC\_GPIO0B\_IOMUX\_SEL\_H**

Address: Operational Base + offset (0x0000)

Bit	Attr	Reset Value	Description
31:16	WO	0x0000	write_enable Write enable for lower 16bits, each bit is individual 1'b0: Write access disable 1'b1: Write access enable
15:12	RW	0x0	gpio0b7_sel 4'h0: GPIO 4'h1: I2S1_LRCK_M1 4'h3: PWM0_M0 4'h8: Refer to BUS_IOC.GPIO0B_IOMUX_SEL_H

Bit	Attr	Reset Value	Description
11:8	RW	0x0	gpio0b6_sel 4'h0: GPIO 4'h1: I2S1_SCLK_M1 4'h2: JTAG_TMS_M2 4'h8: Refer to BUS_IOC.GPIO0B_IOMUX_SEL_H
7:4	RW	0x0	gpio0b5_sel 4'h0: GPIO 4'h1: I2S1_MCLK_M1 4'h2: JTAG_TCK_M2 4'h8: Refer to BUS_IOC.GPIO0B_IOMUX_SEL_H
3:0	RO	0x0	reserved

**PMU2 IOC GPIO0C IOMUX SEL L**

Address: Operational Base + offset (0x0004)

Bit	Attr	Reset Value	Description
31:16	WO	0x0000	write_enable Write enable for lower 16bits, each bit is individual 1'b0: Write access disable 1'b1: Write access enable
15:12	RW	0x0	gpio0c3_sel 4'h0: GPIO 4'h1: PMIC_SLEEP5
11:8	RW	0x0	gpio0c2_sel 4'h0: GPIO 4'h1: PMIC_SLEEP4
7:4	RW	0x0	gpio0c1_sel 4'h0: GPIO 4'h1: PMIC_SLEEP3
3:0	RW	0x0	gpio0c0_sel 4'h0: GPIO 4'h2: PDM0_CLK0_M1 4'h3: PWM1_M0 4'h8: Refer to BUS_IOC.GPIO0C_IOMUX_SEL_L

**PMU2 IOC GPIO0C IOMUX SEL H**

Address: Operational Base + offset (0x0008)

Bit	Attr	Reset Value	Description
31:16	WO	0x0000	write_enable Write enable for lower 16bits, each bit is individual 1'b0: Write access disable 1'b1: Write access enable
15:12	RW	0x0	gpio0c7_sel 4'h0: GPIO 4'h1: I2S1_SDI2_M1 4'h2: PDM0_SDI0_M1 4'h8: Refer to BUS_IOC.GPIO0C_IOMUX_SEL_H
11:8	RW	0x0	gpio0c6_sel 4'h0: GPIO 4'h1: I2S1_SDI1_M1 4'h2: NPU_AVS 4'h4: UART0_RTSM 4'h8: Refer to BUS_IOC.GPIO0C_IOMUX_SEL_H

Bit	Attr	Reset Value	Description
7:4	RW	0x0	gpio0c5_sel 4'h0: GPIO 4'h1: I2S1_SDI0_M1 4'h2: GPU_AVS 4'h4: UART0_TX_M0 4'h8: Refer to BUS_IOC.GPIO0C_IOMUX_SEL_H
3:0	RW	0x0	gpio0c4_sel 4'h0: GPIO 4'h2: PDM0_CLK1_M1 4'h3: PWM2_M0 4'h4: UART0_RX_M0 4'h8: Refer to BUS_IOC.GPIO0C_IOMUX_SEL_H

**PMU2 IOC GPIO0D IOMUX SEL L**

Address: Operational Base + offset (0x000C)

Bit	Attr	Reset Value	Description
31:16	WO	0x0000	write_enable Write enable for lower 16bits, each bit is individual 1'b0: Write access disable 1'b1: Write access enable
15:12	RW	0x0	gpio0d3_sel 4'h0: GPIO 4'h1: LITCPU_AVS 4'h8: Refer to BUS_IOC.GPIO0D_IOMUX_SEL_L
11:8	RW	0x0	gpio0d2_sel 4'h0: GPIO 4'h1: I2S1_SDO1_M1 4'h3: I2C0_SDA_M2 4'h8: Refer to BUS_IOC.GPIO0D_IOMUX_SEL_L
7:4	RW	0x0	gpio0d1_sel 4'h0: GPIO 4'h1: I2S1_SDO0_M1 4'h2: CPU_BIG0_AVS 4'h3: I2C0_SCL_M2 4'h4: UART0_CTSN 4'h8: Refer to BUS_IOC.GPIO0D_IOMUX_SEL_L
3:0	RW	0x0	gpio0d0_sel 4'h0: GPIO 4'h1: I2S1_SDI3_M1 4'h2: PDM0_SDI1_M1 4'h8: Refer to BUS_IOC.GPIO0D_IOMUX_SEL_L

**PMU2 IOC GPIO0D IOMUX SEL H**

Address: Operational Base + offset (0x0010)

Bit	Attr	Reset Value	Description
31:16	WO	0x0000	write_enable Write enable for lower 16bits, each bit is individual 1'b0: Write access disable 1'b1: Write access enable
15:12	RO	0x0	reserved
11:8	RW	0x0	gpio0d6_sel 4'h0: GPIO 4'h1: PMIC_SLEEP6 4'h2: PDM0_SDI3_M1

Bit	Attr	Reset Value	Description
7:4	RW	0x0	gpio0d5_sel 4'h0: GPIO 4'h1: I2S1_SDO3_M1 4'h2: CPU_BIG1_AVS 4'h8: Refer to BUS_IOC.GPIO0D_IOMUX_SEL_H
3:0	RW	0x0	gpio0d4_sel 4'h0: GPIO 4'h1: I2S1_SDO2_M1 4'h2: PDM0_SDI2_M1 4'h3: PWM3_IR_M0 4'h8: Refer to BUS_IOC.GPIO0D_IOMUX_SEL_H

**PMU2 IOC GPIO0B DS H**

Address: Operational Base + offset (0x0014)

Bit	Attr	Reset Value	Description
31:16	WO	0x0000	write_enable Write enable for lower 16bits, each bit is individual 1'b0: Write access disable 1'b1: Write access enable
15	RO	0x0	reserved
14:12	RW	0x6	gpio0b7_ds GPIO0B7 DS control Driver Strength Selection 3'b000: 100ohm 3'b100: 66ohm 3'b010: 50ohm 3'b110: 40ohm 3'b001: 33ohm 3'b101: 25ohm
11	RO	0x0	reserved
10:8	RW	0x6	gpio0b6_ds GPIO0B6 DS control Driver Strength Selection 3'b000: 100ohm 3'b100: 66ohm 3'b010: 50ohm 3'b110: 40ohm 3'b001: 33ohm 3'b101: 25ohm
7	RO	0x0	reserved
6:4	RW	0x6	gpio0b5_ds GPIO0B5 DS control Driver Strength Selection 3'b000: 100ohm 3'b100: 66ohm 3'b010: 50ohm 3'b110: 40ohm 3'b001: 33ohm 3'b101: 25ohm
3:0	RO	0x0	reserved

**PMU2 IOC GPIO0C DS L**

Address: Operational Base + offset (0x0018)



Bit	Attr	Reset Value	Description
31:16	WO	0x0000	write_enable Write enable for lower 16bits, each bit is individual 1'b0: Write access disable 1'b1: Write access enable
15	RO	0x0	reserved
14:12	RW	0x6	gpio0c3_ds GPIO0C3 DS control Driver Strength Selection 3'b000: 100ohm 3'b100: 66ohm 3'b010: 50ohm 3'b110: 40ohm 3'b001: 33ohm 3'b101: 25ohm
11	RO	0x0	reserved
10:8	RW	0x6	gpio0c2_ds GPIO0C2 DS control Driver Strength Selection 3'b000: 100ohm 3'b100: 66ohm 3'b010: 50ohm 3'b110: 40ohm 3'b001: 33ohm 3'b101: 25ohm
7	RO	0x0	reserved
6:4	RW	0x6	gpio0c1_ds GPIO0C1 DS control Driver Strength Selection 3'b000: 100ohm 3'b100: 66ohm 3'b010: 50ohm 3'b110: 40ohm 3'b001: 33ohm 3'b101: 25ohm
3	RO	0x0	reserved
2:0	RW	0x6	gpio0c0_ds GPIO0C0 DS control Driver Strength Selection 3'b000: 100ohm 3'b100: 66ohm 3'b010: 50ohm 3'b110: 40ohm 3'b001: 33ohm 3'b101: 25ohm

**PMU2\_IOC\_GPIO0C\_DS\_H**

Address: Operational Base + offset (0x001C)

Bit	Attr	Reset Value	Description
31:16	WO	0x0000	write_enable Write enable for lower 16bits, each bit is individual 1'b0: Write access disable 1'b1: Write access enable
15	RO	0x0	reserved

Bit	Attr	Reset Value	Description
14:12	RW	0x6	gpio0c7_ds GPIO0C7 DS control Driver Strength Selection 3'b000: 100ohm 3'b100: 66ohm 3'b010: 50ohm 3'b110: 40ohm 3'b001: 33ohm 3'b101: 25ohm
11	RO	0x0	reserved
10:8	RW	0x6	gpio0c6_ds GPIO0C6 DS control Driver Strength Selection 3'b000: 100ohm 3'b100: 66ohm 3'b010: 50ohm 3'b110: 40ohm 3'b001: 33ohm 3'b101: 25ohm
7	RO	0x0	reserved
6:4	RW	0x6	gpio0c5_ds GPIO0C5 DS control Driver Strength Selection 3'b000: 100ohm 3'b100: 66ohm 3'b010: 50ohm 3'b110: 40ohm 3'b001: 33ohm 3'b101: 25ohm
3	RO	0x0	reserved
2:0	RW	0x6	gpio0c4_ds GPIO0C4 DS control Driver Strength Selection 3'b000: 100ohm 3'b100: 66ohm 3'b010: 50ohm 3'b110: 40ohm 3'b001: 33ohm 3'b101: 25ohm

**PMU2 IOC GPIO0D DS L**

Address: Operational Base + offset (0x0020)

Bit	Attr	Reset Value	Description
31:16	WO	0x0000	write_enable Write enable for lower 16bits, each bit is individual 1'b0: Write access disable 1'b1: Write access enable
15	RO	0x0	reserved

Bit	Attr	Reset Value	Description
14:12	RW	0x6	gpio0d3_ds GPIO0D3 DS control Driver Strength Selection 3'b000: 100ohm 3'b100: 66ohm 3'b010: 50ohm 3'b110: 40ohm 3'b001: 33ohm 3'b101: 25ohm
11	RO	0x0	reserved
10:8	RW	0x6	gpio0d2_ds GPIO0D2 DS control Driver Strength Selection 3'b000: 100ohm 3'b100: 66ohm 3'b010: 50ohm 3'b110: 40ohm 3'b001: 33ohm 3'b101: 25ohm
7	RO	0x0	reserved
6:4	RW	0x6	gpio0d1_ds GPIO0D1 DS control Driver Strength Selection 3'b000: 100ohm 3'b100: 66ohm 3'b010: 50ohm 3'b110: 40ohm 3'b001: 33ohm 3'b101: 25ohm
3	RO	0x0	reserved
2:0	RW	0x6	gpio0d0_ds GPIO0D0 DS control Driver Strength Selection 3'b000: 100ohm 3'b100: 66ohm 3'b010: 50ohm 3'b110: 40ohm 3'b001: 33ohm 3'b101: 25ohm

**PMU2 IOC GPIO0D DS H**

Address: Operational Base + offset (0x0024)

Bit	Attr	Reset Value	Description
31:16	WO	0x0000	write_enable Write enable for lower 16bits, each bit is individual 1'b0: Write access disable 1'b1: Write access enable
15:11	RO	0x00	reserved

Bit	Attr	Reset Value	Description
10:8	RW	0x6	gpio0d6_ds GPIO0D6 DS control Driver Strength Selection 3'b000: 100ohm 3'b100: 66ohm 3'b010: 50ohm 3'b110: 40ohm 3'b001: 33ohm 3'b101: 25ohm
7	RO	0x0	reserved
6:4	RW	0x6	gpio0d5_ds GPIO0D5 DS control Driver Strength Selection 3'b000: 100ohm 3'b100: 66ohm 3'b010: 50ohm 3'b110: 40ohm 3'b001: 33ohm 3'b101: 25ohm
3	RO	0x0	reserved
2:0	RW	0x6	gpio0d4_ds GPIO0D4 DS control Driver Strength Selection 3'b000: 100ohm 3'b100: 66ohm 3'b010: 50ohm 3'b110: 40ohm 3'b001: 33ohm 3'b101: 25ohm

**PMU2 IOC GPIO0B P**

Address: Operational Base + offset (0x0028)

Bit	Attr	Reset Value	Description
31:16	WO	0x0000	write_enable Write enable for lower 16bits, each bit is individual 1'b0: Write access disable 1'b1: Write access enable
15	RW	0x0	gpio0b7_ps GPIO0B7 PS control Weak PU/PD Resistor Selection 1'b0: PD Selection 1'b1: PU Selection
14	RW	0x1	gpio0b7_pe GPIO0B7 PE control Active High Weak PU/PD Resistor Enable 1'b0: PU/PD Disable 1'b1: PU/PD Enable
13	RW	0x0	gpio0b6_ps GPIO0B6 PS control Weak PU/PD Resistor Selection 1'b0: PD Selection 1'b1: PU Selection

Bit	Attr	Reset Value	Description
12	RW	0x1	gpio0b6_pe GPIO0B6 PE control Active High Weak PU/PD Resistor Enable 1'b0: PU/PD Disable 1'b1: PU/PD Enable
11	RW	0x0	gpio0b5_ps GPIO0B5 PS control Weak PU/PD Resistor Selection 1'b0: PD Selection 1'b1: PU Selection
10	RW	0x1	gpio0b5_pe GPIO0B5 PE control Active High Weak PU/PD Resistor Enable 1'b0: PU/PD Disable 1'b1: PU/PD Enable
9:0	RO	0x000	reserved

**PMU2 IOC GPIO0C P**

Address: Operational Base + offset (0x002C)

Bit	Attr	Reset Value	Description
31:16	WO	0x0000	write_enable Write enable for lower 16bits, each bit is individual 1'b0: Write access disable 1'b1: Write access enable
15	RW	0x0	gpio0c7_ps GPIO0C7 PS control Weak PU/PD Resistor Selection 1'b0: PD Selection 1'b1: PU Selection
14	RW	0x1	gpio0c7_pe GPIO0C7 PE control Active High Weak PU/PD Resistor Enable 1'b0: PU/PD Disable 1'b1: PU/PD Enable
13	RW	0x1	gpio0c6_ps GPIO0C6 PS control Weak PU/PD Resistor Selection 1'b0: PD Selection 1'b1: PU Selection
12	RW	0x1	gpio0c6_pe GPIO0C6 PE control Active High Weak PU/PD Resistor Enable 1'b0: PU/PD Disable 1'b1: PU/PD Enable
11	RW	0x1	gpio0c5_ps GPIO0C5 PS control Weak PU/PD Resistor Selection 1'b0: PD Selection 1'b1: PU Selection
10	RW	0x1	gpio0c5_pe GPIO0C5 PE control Active High Weak PU/PD Resistor Enable 1'b0: PU/PD Disable 1'b1: PU/PD Enable

Bit	Attr	Reset Value	Description
9	RW	0x0	gpio0c4_ps GPIO0C4 PS control Weak PU/PD Resistor Selection 1'b0: PD Selection 1'b1: PU Selection
8	RW	0x1	gpio0c4_pe GPIO0C4 PE control Active High Weak PU/PD Resistor Enable 1'b0: PU/PD Disable 1'b1: PU/PD Enable
7	RW	0x0	gpio0c3_ps GPIO0C3 PS control Weak PU/PD Resistor Selection 1'b0: PD Selection 1'b1: PU Selection
6	RW	0x1	gpio0c3_pe GPIO0C3 PE control Active High Weak PU/PD Resistor Enable 1'b0: PU/PD Disable 1'b1: PU/PD Enable
5	RW	0x0	gpio0c2_ps GPIO0C2 PS control Weak PU/PD Resistor Selection 1'b0: PD Selection 1'b1: PU Selection
4	RW	0x1	gpio0c2_pe GPIO0C2 PE control Active High Weak PU/PD Resistor Enable 1'b0: PU/PD Disable 1'b1: PU/PD Enable
3	RW	0x0	gpio0c1_ps GPIO0C1 PS control Weak PU/PD Resistor Selection 1'b0: PD Selection 1'b1: PU Selection
2	RW	0x1	gpio0c1_pe GPIO0C1 PE control Active High Weak PU/PD Resistor Enable 1'b0: PU/PD Disable 1'b1: PU/PD Enable
1	RW	0x0	gpio0c0_ps GPIO0C0 PS control Weak PU/PD Resistor Selection 1'b0: PD Selection 1'b1: PU Selection
0	RW	0x1	gpio0c0_pe GPIO0C0 PE control Active High Weak PU/PD Resistor Enable 1'b0: PU/PD Disable 1'b1: PU/PD Enable

**PMU2 IOC GPIO0D P**

Address: Operational Base + offset (0x0030)

Bit	Attr	Reset Value	Description
31:16	WO	0x0000	write_enable Write enable for lower 16bits, each bit is individual 1'b0: Write access disable 1'b1: Write access enable
15:14	RO	0x0	reserved
13	RW	0x0	gpio0d6_ps GPIO0D6 PS control Weak PU/PD Resistor Selection 1'b0: PD Selection 1'b1: PU Selection
12	RW	0x1	gpio0d6_pe GPIO0D6 PE control Active High Weak PU/PD Resistor Enable 1'b0: PU/PD Disable 1'b1: PU/PD Enable
11	RW	0x1	gpio0d5_ps GPIO0D5 PS control Weak PU/PD Resistor Selection 1'b0: PD Selection 1'b1: PU Selection
10	RW	0x1	gpio0d5_pe GPIO0D5 PE control Active High Weak PU/PD Resistor Enable 1'b0: PU/PD Disable 1'b1: PU/PD Enable
9	RW	0x1	gpio0d4_ps GPIO0D4 PS control Weak PU/PD Resistor Selection 1'b0: PD Selection 1'b1: PU Selection
8	RW	0x1	gpio0d4_pe GPIO0D4 PE control Active High Weak PU/PD Resistor Enable 1'b0: PU/PD Disable 1'b1: PU/PD Enable
7	RW	0x1	gpio0d3_ps GPIO0D3 PS control Weak PU/PD Resistor Selection 1'b0: PD Selection 1'b1: PU Selection
6	RW	0x1	gpio0d3_pe GPIO0D3 PE control Active High Weak PU/PD Resistor Enable 1'b0: PU/PD Disable 1'b1: PU/PD Enable
5	RW	0x1	gpio0d2_ps GPIO0D2 PS control Weak PU/PD Resistor Selection 1'b0: PD Selection 1'b1: PU Selection
4	RW	0x1	gpio0d2_pe GPIO0D2 PE control Active High Weak PU/PD Resistor Enable 1'b0: PU/PD Disable 1'b1: PU/PD Enable

Bit	Attr	Reset Value	Description
3	RW	0x1	gpio0d1_ps GPIO0D1 PS control Weak PU/PD Resistor Selection 1'b0: PD Selection 1'b1: PU Selection
2	RW	0x1	gpio0d1_pe GPIO0D1 PE control Active High Weak PU/PD Resistor Enable 1'b0: PU/PD Disable 1'b1: PU/PD Enable
1	RW	0x0	gpio0d0_ps GPIO0D0 PS control Weak PU/PD Resistor Selection 1'b0: PD Selection 1'b1: PU Selection
0	RW	0x1	gpio0d0_pe GPIO0D0 PE control Active High Weak PU/PD Resistor Enable 1'b0: PU/PD Disable 1'b1: PU/PD Enable

**PMU2 IOC GPIO0B IE**

Address: Operational Base + offset (0x0034)

Bit	Attr	Reset Value	Description
31:16	WO	0x0000	write_enable Write enable for lower 16bits, each bit is individual 1'b0: Write access disable 1'b1: Write access enable
15:8	RO	0x00	reserved
7	RW	0x1	gpio0b7_ie GPIO0B7 IE control Active High input buffer enable
6	RW	0x1	gpio0b6_ie GPIO0B6 IE control Active High input buffer enable
5	RW	0x1	gpio0b5_ie GPIO0B5 IE control Active High input buffer enable
4:0	RO	0x00	reserved

**PMU2 IOC GPIO0C IE**

Address: Operational Base + offset (0x0038)

Bit	Attr	Reset Value	Description
31:16	WO	0x0000	write_enable Write enable for lower 16bits, each bit is individual 1'b0: Write access disable 1'b1: Write access enable
15:8	RO	0x00	reserved
7	RW	0x1	gpio0c7_ie GPIO0C7 IE control Active High input buffer enable
6	RW	0x1	gpio0c6_ie GPIO0C6 IE control Active High input buffer enable



Bit	Attr	Reset Value	Description
5	RW	0x1	gpio0c5_ie GPIO0C5 IE control Active High input buffer enable
4	RW	0x1	gpio0c4_ie GPIO0C4 IE control Active High input buffer enable
3	RW	0x1	gpio0c3_ie GPIO0C3 IE control Active High input buffer enable
2	RW	0x1	gpio0c2_ie GPIO0C2 IE control Active High input buffer enable
1	RW	0x1	gpio0c1_ie GPIO0C1 IE control Active High input buffer enable
0	RW	0x1	gpio0c0_ie GPIO0C0 IE control Active High input buffer enable

**PMU2 IOC GPIO0D IE**

Address: Operational Base + offset (0x003C)

Bit	Attr	Reset Value	Description
31:16	WO	0x0000	write_enable Write enable for lower 16bits, each bit is individual 1'b0: Write access disable 1'b1: Write access enable
15:7	RO	0x000	reserved
6	RW	0x1	gpio0d6_ie GPIO0D6 IE control Active High input buffer enable
5	RW	0x1	gpio0d5_ie GPIO0D5 IE control Active High input buffer enable
4	RW	0x1	gpio0d4_ie GPIO0D4 IE control Active High input buffer enable
3	RW	0x1	gpio0d3_ie GPIO0D3 IE control Active High input buffer enable
2	RW	0x1	gpio0d2_ie GPIO0D2 IE control Active High input buffer enable
1	RW	0x1	gpio0d1_ie GPIO0D1 IE control Active High input buffer enable
0	RW	0x1	gpio0d0_ie GPIO0D0 IE control Active High input buffer enable

**PMU2 IOC GPIO0B SMT**

Address: Operational Base + offset (0x0040)

Bit	Attr	Reset Value	Description
31:16	WO	0x0000	write_enable Write enable for lower 16bits, each bit is individual 1'b0: Write access disable 1'b1: Write access enable
15:8	RO	0x00	reserved
7	RW	0x0	gpio0b7_smt GPIO0B7 SMT control CMOS/Schmitt Trigger Selection 1'b0: CMOS Input 1'b1: Schmitt Trigger input
6	RW	0x0	gpio0b6_smt GPIO0B6 SMT control CMOS/Schmitt Trigger Selection 1'b0: CMOS Input 1'b1: Schmitt Trigger input
5	RW	0x0	gpio0b5_smt GPIO0B5 SMT control CMOS/Schmitt Trigger Selection 1'b0: CMOS Input 1'b1: Schmitt Trigger input
4:0	RO	0x00	reserved

**PMU2 IOC GPIO0C SMT**

Address: Operational Base + offset (0x0044)

Bit	Attr	Reset Value	Description
31:16	WO	0x0000	write_enable Write enable for lower 16bits, each bit is individual 1'b0: Write access disable 1'b1: Write access enable
15:8	RO	0x00	reserved
7	RW	0x0	gpio0c7_smt GPIO0C7 SMT control CMOS/Schmitt Trigger Selection 1'b0: CMOS Input 1'b1: Schmitt Trigger input
6	RW	0x0	gpio0c6_smt GPIO0C6 SMT control CMOS/Schmitt Trigger Selection 1'b0: CMOS Input 1'b1: Schmitt Trigger input
5	RW	0x0	gpio0c5_smt GPIO0C5 SMT control CMOS/Schmitt Trigger Selection 1'b0: CMOS Input 1'b1: Schmitt Trigger input
4	RW	0x0	gpio0c4_smt GPIO0C4 SMT control CMOS/Schmitt Trigger Selection 1'b0: CMOS Input 1'b1: Schmitt Trigger input
3	RW	0x0	gpio0c3_smt GPIO0C3 SMT control CMOS/Schmitt Trigger Selection 1'b0: CMOS Input 1'b1: Schmitt Trigger input

Bit	Attr	Reset Value	Description
2	RW	0x0	gpio0c2_smt GPIO0C2 SMT control CMOS/Schmitt Trigger Selection 1'b0: CMOS Input 1'b1: Schmitt Trigger input
1	RW	0x0	gpio0c1_smt GPIO0C1 SMT control CMOS/Schmitt Trigger Selection 1'b0: CMOS Input 1'b1: Schmitt Trigger input
0	RW	0x0	gpio0c0_smt GPIO0C0 SMT control CMOS/Schmitt Trigger Selection 1'b0: CMOS Input 1'b1: Schmitt Trigger input

**PMU2 IOC GPIO0D SMT**

Address: Operational Base + offset (0x0048)

Bit	Attr	Reset Value	Description
31:16	WO	0x0000	write_enable Write enable for lower 16bits, each bit is individual 1'b0: Write access disable 1'b1: Write access enable
15:7	RO	0x000	reserved
6	RW	0x0	gpio0d6_smt GPIO0D6 SMT control CMOS/Schmitt Trigger Selection 1'b0: CMOS Input 1'b1: Schmitt Trigger input
5	RW	0x0	gpio0d5_smt GPIO0D5 SMT control CMOS/Schmitt Trigger Selection 1'b0: CMOS Input 1'b1: Schmitt Trigger input
4	RW	0x0	gpio0d4_smt GPIO0D4 SMT control CMOS/Schmitt Trigger Selection 1'b0: CMOS Input 1'b1: Schmitt Trigger input
3	RW	0x0	gpio0d3_smt GPIO0D3 SMT control CMOS/Schmitt Trigger Selection 1'b0: CMOS Input 1'b1: Schmitt Trigger input
2	RW	0x0	gpio0d2_smt GPIO0D2 SMT control CMOS/Schmitt Trigger Selection 1'b0: CMOS Input 1'b1: Schmitt Trigger input
1	RW	0x0	gpio0d1_smt GPIO0D1 SMT control CMOS/Schmitt Trigger Selection 1'b0: CMOS Input 1'b1: Schmitt Trigger input

Bit	Attr	Reset Value	Description
0	RW	0x0	gpio0d0_smt GPIO0D0 SMT control CMOS/Schmitt Trigger Selection 1'b0: CMOS Input 1'b1: Schmitt Trigger input

**PMU2 IOC GPIO0B PDIS**

Address: Operational Base + offset (0x004C)

Bit	Attr	Reset Value	Description
31:16	WO	0x0000	write_enable Write enable for lower 16bits, each bit is individual 1'b0: Write access disable 1'b1: Write access enable
15:8	RO	0x00	reserved
7	RW	0x0	gpio0b7_pull_dis when 1'b1, disable GPIO0B7 pull up/down when output enable
6	RW	0x0	gpio0b6_pull_dis when 1'b1, disable GPIO0B6 pull up/down when output enable
5	RW	0x0	gpio0b5_pull_dis when 1'b1, disable GPIO0B5 pull up/down when output enable
4:0	RO	0x00	reserved

**PMU2 IOC GPIO0C PDIS**

Address: Operational Base + offset (0x0050)

Bit	Attr	Reset Value	Description
31:16	WO	0x0000	write_enable Write enable for lower 16bits, each bit is individual 1'b0: Write access disable 1'b1: Write access enable
15:8	RO	0x00	reserved
7	RW	0x0	gpio0c7_pull_dis when 1'b1, disable GPIO0C7 pull up/down when output enable
6	RW	0x0	gpio0c6_pull_dis when 1'b1, disable GPIO0C6 pull up/down when output enable
5	RW	0x0	gpio0c5_pull_dis when 1'b1, disable GPIO0C5 pull up/down when output enable
4	RW	0x0	gpio0c4_pull_dis when 1'b1, disable GPIO0C4 pull up/down when output enable
3	RW	0x0	gpio0c3_pull_dis when 1'b1, disable GPIO0C3 pull up/down when output enable
2	RW	0x0	gpio0c2_pull_dis when 1'b1, disable GPIO0C2 pull up/down when output enable
1	RW	0x0	gpio0c1_pull_dis when 1'b1, disable GPIO0C1 pull up/down when output enable
0	RW	0x0	gpio0c0_pull_dis when 1'b1, disable GPIO0C0 pull up/down when output enable

**PMU2 IOC GPIO0D PDIS**

Address: Operational Base + offset (0x0054)

Bit	Attr	Reset Value	Description
31:16	WO	0x0000	write_enable Write enable for lower 16bits, each bit is individual 1'b0: Write access disable 1'b1: Write access enable

Bit	Attr	Reset Value	Description
15:7	RO	0x000	reserved
6	RW	0x0	gpio0d6_pull_dis when 1'b1, disable GPIO0D6 pull up/down when output enable
5	RW	0x0	gpio0d5_pull_dis when 1'b1, disable GPIO0D5 pull up/down when output enable
4	RW	0x0	gpio0d4_pull_dis when 1'b1, disable GPIO0D4 pull up/down when output enable
3	RW	0x0	gpio0d3_pull_dis when 1'b1, disable GPIO0D3 pull up/down when output enable
2	RW	0x0	gpio0d2_pull_dis when 1'b1, disable GPIO0D2 pull up/down when output enable
1	RW	0x0	gpio0d1_pull_dis when 1'b1, disable GPIO0D1 pull up/down when output enable
0	RW	0x0	gpio0d0_pull_dis when 1'b1, disable GPIO0D0 pull up/down when output enable

## 6.27 BUS\_IOC Register Description

### 6.27.1 Registers Summary

Name	Offset	Size	Reset Value	Description
BUS_IOC_GPIO0B_IOMUX_SEL_H	0x000C	W	0x00000000	GPIO0B IOMUX Select High bits
BUS_IOC_GPIO0C_IOMUX_SEL_L	0x0010	W	0x00000000	GPIO0C IOMUX Select Low bits
BUS_IOC_GPIO0C_IOMUX_SEL_H	0x0014	W	0x00000000	GPIO0C IOMUX Select High bits
BUS_IOC_GPIO0D_IOMUX_SEL_L	0x0018	W	0x00000000	GPIO0D IOMUX Select Low bits
BUS_IOC_GPIO0D_IOMUX_SEL_H	0x001C	W	0x00000000	GPIO0D IOMUX Select High bits
BUS_IOC_GPIO1A_IOMUX_SEL_L	0x0020	W	0x00000000	GPIO1A IOMUX Select Low bits
BUS_IOC_GPIO1A_IOMUX_SEL_H	0x0024	W	0x00000000	GPIO1A IOMUX Select High bits
BUS_IOC_GPIO1B_IOMUX_SEL_L	0x0028	W	0x00000000	GPIO1B IOMUX Select Low bits
BUS_IOC_GPIO1B_IOMUX_SEL_H	0x002C	W	0x00000000	GPIO1B IOMUX Select High bits
BUS_IOC_GPIO1C_IOMUX_SEL_L	0x0030	W	0x00000000	GPIO1C IOMUX Select Low bits
BUS_IOC_GPIO1C_IOMUX_SEL_H	0x0034	W	0x00000000	GPIO1C IOMUX Select High bits
BUS_IOC_GPIO1D_IOMUX_SEL_L	0x0038	W	0x00000000	GPIO1D IOMUX Select Low bits
BUS_IOC_GPIO1D_IOMUX_SEL_H	0x003C	W	0x00000000	GPIO1D IOMUX Select High bits
BUS_IOC_GPIO2A_IOMUX_SEL_L	0x0040	W	0x00000000	GPIO2A IOMUX Select Low bits
BUS_IOC_GPIO2A_IOMUX_SEL_H	0x0044	W	0x00000000	GPIO2A IOMUX Select High bits

<b>Name</b>	<b>Offset</b>	<b>Size</b>	<b>Reset Value</b>	<b>Description</b>
<u>BUS_IOC_GPIO2B_IOMUX_SEL_L</u>	0x0048	W	0x00000000	GPIO2B IOMUX Select Low bits
<u>BUS_IOC_GPIO2B_IOMUX_SEL_H</u>	0x004C	W	0x00000000	GPIO2B IOMUX Select High bits
<u>BUS_IOC_GPIO2C_IOMUX_SEL_L</u>	0x0050	W	0x00000000	GPIO2C IOMUX Select Low bits
<u>BUS_IOC_GPIO2C_IOMUX_SEL_H</u>	0x0054	W	0x00000000	GPIO2C IOMUX Select High bits
<u>BUS_IOC_GPIO2D_IOMUX_SEL_L</u>	0x0058	W	0x00000000	GPIO2D IOMUX Select Low bits
<u>BUS_IOC_GPIO2D_IOMUX_SEL_H</u>	0x005C	W	0x00000000	GPIO2D IOMUX Select High bits
<u>BUS_IOC_GPIO3A_IOMUX_SEL_L</u>	0x0060	W	0x00000000	GPIO3A IOMUX Select Low bits
<u>BUS_IOC_GPIO3A_IOMUX_SEL_H</u>	0x0064	W	0x00000000	GPIO3A IOMUX Select High bits
<u>BUS_IOC_GPIO3B_IOMUX_SEL_L</u>	0x0068	W	0x00000000	GPIO3B IOMUX Select Low bits
<u>BUS_IOC_GPIO3B_IOMUX_SEL_H</u>	0x006C	W	0x00000000	GPIO3B IOMUX Select High bits
<u>BUS_IOC_GPIO3C_IOMUX_SEL_L</u>	0x0070	W	0x00000000	GPIO3C IOMUX Select Low bits
<u>BUS_IOC_GPIO3C_IOMUX_SEL_H</u>	0x0074	W	0x00000000	GPIO3C IOMUX Select High bits
<u>BUS_IOC_GPIO3D_IOMUX_SEL_L</u>	0x0078	W	0x00000000	GPIO3D IOMUX Select Low bits
<u>BUS_IOC_GPIO3D_IOMUX_SEL_H</u>	0x007C	W	0x00000000	GPIO3D IOMUX Select High bits
<u>BUS_IOC_GPIO4A_IOMUX_SEL_L</u>	0x0080	W	0x00000000	GPIO4A IOMUX Select Low bits
<u>BUS_IOC_GPIO4A_IOMUX_SEL_H</u>	0x0084	W	0x00000000	GPIO4A IOMUX Select High bits
<u>BUS_IOC_GPIO4B_IOMUX_SEL_L</u>	0x0088	W	0x00000000	GPIO4B IOMUX Select Low bits
<u>BUS_IOC_GPIO4B_IOMUX_SEL_H</u>	0x008C	W	0x00000000	GPIO4B IOMUX Select High bits
<u>BUS_IOC_GPIO4C_IOMUX_SEL_L</u>	0x0090	W	0x00000000	GPIO4C IOMUX Select Low bits
<u>BUS_IOC_GPIO4C_IOMUX_SEL_H</u>	0x0094	W	0x00000000	GPIO4C IOMUX Select High bits
<u>BUS_IOC_GPIO4D_IOMUX_SEL_L</u>	0x0098	W	0x00005500	GPIO4D IOMUX Select Low bits
<u>BUS_IOC_GPIO4D_IOMUX_SEL_H</u>	0x009C	W	0x00000000	GPIO4D IOMUX Select High bits

Notes: **Size: B-** Byte (8 bits) access, **HW-** Half WORD (16 bits) access, **W-** WORD (32 bits) access, **DW-** Double WORD (64 bits) access

### **6.27.2 Detail Registers Description**

#### **BUS\_IOC\_GPIO0B\_IOMUX\_SEL\_H**

Address: Operational Base + offset (0x000C)

Bit	Attr	Reset Value	Description
31:16	WO	0x0000	write_enable Write enable for lower 16bits, each bit is individual 1'b0: Write access disable 1'b1: Write access enable
15:12	RW	0x0	gpio0b7_sel 4'h8: SPI0_CS1_M0 4'h9: I2C2_SCL_M0 4'hb: CAN0_TX_M0 4'hc: PCIE30X1_1_PERSTN_M0
11:8	RW	0x0	gpio0b6_sel 4'h9: I2C1_SDA_M0 4'ha: UART2_RX_M0 4'hc: PCIE30X1_1_WAKEN_M0
7:4	RW	0x0	gpio0b5_sel 4'h9: I2C1_SCL_M0 4'ha: UART2_TX_M0 4'hc: PCIE30X1_1_CLKREQN_M0
3:0	RO	0x0	reserved

**BUS IOC GPIO0C IOMUX SEL L**

Address: Operational Base + offset (0x0010)

Bit	Attr	Reset Value	Description
31:16	WO	0x0000	write_enable Write enable for lower 16bits, each bit is individual 1'b0: Write access disable 1'b1: Write access enable
15:4	RO	0x000	reserved
3:0	RW	0x0	gpio0c0_sel 4'h8: SPI0_MOSI_M0 4'h9: I2C2_SDA_M0 4'hb: CAN0_RX_M0 4'hc: PCIE30X1_0_CLKREQN_M0

**BUS IOC GPIO0C IOMUX SEL H**

Address: Operational Base + offset (0x0014)

Bit	Attr	Reset Value	Description
31:16	WO	0x0000	write_enable Write enable for lower 16bits, each bit is individual 1'b0: Write access disable 1'b1: Write access enable
15:12	RW	0x0	gpio0c7_sel 4'h8: SPI0_MISO_M0 4'h9: I2C6_SDA_M0 4'ha: UART1_RTSN_M2 4'hb: PWM6_M0 4'hc: PCIE30X4_WAKEN_M0
11:8	RW	0x0	gpio0c6_sel 4'h8: SPI0_CLK_M0 4'hb: PWM5_M1 4'hc: PCIE30X4_CLKREQN_M0 4'hd: SATA_CP_POD

Bit	Attr	Reset Value	Description
7:4	RW	0x0	gpio0c5_sel 4'h9: I2C4_SCL_M2 4'ha: DP1_HPDIN_M1 4'hb: PWM4_M0 4'hc: PCIE30X1_0_PERSTN_M0
3:0	RW	0x0	gpio0c4_sel 4'h9: I2C4_SDA_M2 4'ha: DP0_HPDIN_M1 4'hc: PCIE30X1_0_WAKEN_M0

**BUS IOC GPIO0D IOMUX SEL L**

Address: Operational Base + offset (0x0018)

Bit	Attr	Reset Value	Description
31:16	WO	0x0000	write_enable Write enable for lower 16bits, each bit is individual 1'b0: Write access disable 1'b1: Write access enable
15:12	RW	0x0	gpio0d3_sel 4'h8: SPI3_CLK_M2
11:8	RW	0x0	gpio0d2_sel 4'h8: SPI3_MOSI_M2 4'ha: UART1_RX_M2 4'hb: HDMI_RX_SCL_M0 4'hc: PCIE30X2_WAKEN_M0 4'hd: HDMI_TX1_CEC_M1
7:4	RW	0x0	gpio0d1_sel 4'h8: SPI0_CS0_M0 4'ha: UART1_TX_M2 4'hb: HDMI_RX_SDA_M0 4'hc: PCIE30X2_CLKREQN_M0 4'hd: HDMI_TX0_CEC_M1
3:0	RW	0x0	gpio0d0_sel 4'h8: SPI3_MISO_M2 4'h9: I2C6_SCL_M0 4'ha: UART1_CTSN_M2 4'hb: PWM7_IR_M0 4'hc: PCIE30X4_PERSTN_M0

**BUS IOC GPIO0D IOMUX SEL H**

Address: Operational Base + offset (0x001C)

Bit	Attr	Reset Value	Description
31:16	WO	0x0000	write_enable Write enable for lower 16bits, each bit is individual 1'b0: Write access disable 1'b1: Write access enable
15:8	RO	0x00	reserved
7:4	RW	0x0	gpio0d5_sel 4'h8: SPI3_CS1_M2 4'h9: I2C1_SDA_M2 4'ha: CAN2_TX_M1 4'hb: HDMI_TX0_SCL_M1 4'hd: SATA_MP_SWITCH



Bit	Attr	Reset Value	Description
3:0	RW	0x0	gpio0d4_sel 4'h8: SPI3_CS0_M2 4'h9: I2C1_SCL_M2 4'ha: CAN2_RX_M1 4'hb: HDMI_TX0_SDA_M1 4'hc: PCIE30X2_PERSTN_M0 4'hd: SATA_CPDET

**BUS IOC GPIO1A IOMUX SEL L**

Address: Operational Base + offset (0x0020)

Bit	Attr	Reset Value	Description
31:16	WO	0x0000	write_enable Write enable for lower 16bits, each bit is individual 1'b0: Write access disable 1'b1: Write access enable
15:12	RW	0x0	gpio1a3_sel 4'h0: GPIO 4'h5: HDMI_TX1_SDA_M2 4'h8: SPI4_CS0_M2 4'h9: I2C4_SCL_M3 4'ha: UART6_CTSN_M1 4'hb: PWM1_M2
11:8	RW	0x0	gpio1a2_sel 4'h0: GPIO 4'h1: VOP_POST_EMPTY 4'h8: SPI4_CLK_M2 4'h9: I2C4_SDA_M3 4'ha: UART6_RTSN_M1 4'hb: PWM0_M2
7:4	RW	0x0	gpio1a1_sel 4'h0: GPIO 4'h4: PCIE30X1_1_WAKEN_M2 4'h5: DP1_HPDIN_M2 4'h6: SATA1_ACT_LED_M1 4'h8: SPI4_MOSI_M2 4'h9: I2C2_SCL_M4 4'ha: UART6_TX_M1
3:0	RW	0x0	gpio1a0_sel 4'h0: GPIO 4'h4: PCIE30X1_1_CLKREQN_M2 4'h5: DP0_HPDIN_M2 4'h7: HDMI_DEBUG6 4'h8: SPI4_MISO_M2 4'h9: I2C2_SDA_M4 4'ha: UART6_RX_M1

**BUS IOC GPIO1A IOMUX SEL H**

Address: Operational Base + offset (0x0024)

Bit	Attr	Reset Value	Description
31:16	WO	0x0000	write_enable Write enable for lower 16bits, each bit is individual 1'b0: Write access disable 1'b1: Write access enable

Bit	Attr	Reset Value	Description
15:12	RW	0x0	gpio1a7_sel 4'h0: GPIO 4'h2: PDM1_SDI0_M1 4'h4: PCIE30X1_1_PERSTN_M2 4'h7: HDMI_DEBUG0 4'h8: SPI2_CS0_M0 4'hb: PWM3_IR_M3
11:8	RW	0x0	gpio1a6_sel 4'h0: GPIO 4'h5: HDMI_TX1_HPD_M0 4'h8: SPI2_CLK_M0
7:4	RW	0x0	gpio1a5_sel 4'h0: GPIO 4'h5: HDMI_TX0_HPD_M0 4'h8: SPI2_MOSI_M0
3:0	RW	0x0	gpio1a4_sel 4'h0: GPIO 4'h5: HDMI_TX1_SCL_M2 4'h8: SPI2_MISO_M0

**BUS IOC GPIO1B IOMUX SEL L**

Address: Operational Base + offset (0x0028)

Bit	Attr	Reset Value	Description
31:16	WO	0x0000	write_enable Write enable for lower 16bits, each bit is individual 1'b0: Write access disable 1'b1: Write access enable
15:12	RW	0x0	gpio1b3_sel 4'h0: GPIO 4'h2: PDM1_CLK1_M1 4'h4: PCIE30X1_0_WAKEN_M2 4'h6: SATA0_ACT_LED_M1 4'h7: HDMI_DEBUG4 4'h8: SPI0_CLK_M2 4'ha: UART4_TX_M2
11:8	RW	0x0	gpio1b2_sel 4'h0: GPIO 4'h2: PDM1_SDI3_M1 4'h4: PCIE30X4_PERSTN_M3 4'h7: HDMI_DEBUG3 4'h8: SPI0_MOSI_M2 4'ha: UART4_RX_M2
7:4	RW	0x0	gpio1b1_sel 4'h0: GPIO 4'h2: PDM1_SDI2_M1 4'h4: PCIE30X4_WAKEN_M3 4'h7: HDMI_DEBUG2 4'h8: SPI0_MISO_M2
3:0	RW	0x0	gpio1b0_sel 4'h0: GPIO 4'h2: PDM1_SDI1_M1 4'h4: PCIE30X4_CLKREQN_M3 4'h7: HDMI_DEBUG1 4'h8: SPI2_CS1_M0

**BUS IOC GPIO1B IOMUX SEL H**

Address: Operational Base + offset (0x002C)

Bit	Attr	Reset Value	Description
31:16	WO	0x0000	write_enable Write enable for lower 16bits, each bit is individual 1'b0: Write access disable 1'b1: Write access enable
15:12	RW	0x0	gpio1b7_sel 4'h0: GPIO 4'h2: MIPI_CAMERA2_CLK_M0 4'h3: SPDIF1_TX_M0 4'h4: PCIE30X2_PERSTN_M3 4'h5: HDMI_RX_CEC_M2 4'h6: SATA2_ACT_LED_M1 4'h9: I2C5_SDA_M3 4'ha: UART1_RX_M1 4'hb: PWM13_M2
11:8	RW	0x0	gpio1b6_sel 4'h0: GPIO 4'h2: MIPI_CAMERA1_CLK_M0 4'h3: SPDIF0_TX_M0 4'h4: PCIE30X2_WAKEN_M3 4'h5: HDMI_RX_HPDOUT_M2 4'h9: I2C5_SCL_M3 4'ha: UART1_TX_M1
7:4	RW	0x0	gpio1b5_sel 4'h0: GPIO 4'h4: PCIE30X1_0_CLKREQN_M2 4'h8: SPI0_CS1_M2 4'ha: UART7_TX_M2
3:0	RW	0x0	gpio1b4_sel 4'h0: GPIO 4'h2: PDM1_CLK0_M1 4'h4: PCIE30X1_0_PERSTN_M2 4'h7: HDMI_DEBUG5 4'h8: SPI0_CS0_M2 4'ha: UART7_RX_M2

**BUS IOC GPIO1C IOMUX SEL L**

Address: Operational Base + offset (0x0030)

Bit	Attr	Reset Value	Description
31:16	WO	0x0000	write_enable Write enable for lower 16bits, each bit is individual 1'b0: Write access disable 1'b1: Write access enable
15:12	RW	0x0	gpio1c3_sel 4'h0: GPIO 4'h1: I2S0_SCLK 4'h8: SPI4_CS0_M0 4'h9: I2C6_SCL_M1 4'ha: UART3_CTSN 4'hb: PWM7_IR_M2

Bit	Attr	Reset Value	Description
11:8	RW	0x0	gpio1c2_sel 4'h0: GPIO 4'h1: I2S0_MCLK 4'h8: SPI4_CLK_M0 4'h9: I2C6_SDA_M1 4'ha: UART3_RTSN 4'hb: PWM3_IR_M2
7:4	RW	0x0	gpio1c1_sel 4'h0: GPIO 4'h8: SPI4_MOSI_M0 4'h9: I2C3_SCL_M0 4'ha: UART3_TX_M0
3:0	RW	0x0	gpio1c0_sel 4'h0: GPIO 4'h8: SPI4_MISO_M0 4'h9: I2C3_SDA_M0 4'ha: UART3_RX_M0

**BUS IOC GPIO1C IOMUX SEL H**

Address: Operational Base + offset (0x0034)

Bit	Attr	Reset Value	Description
31:16	WO	0x0000	write_enable Write enable for lower 16bits, each bit is individual 1'b0: Write access disable 1'b1: Write access enable
15:12	RW	0x0	gpio1c7_sel 4'h0: GPIO 4'h1: I2S0_SDO0 4'h9: I2C4_SCL_M4 4'ha: UART4_CTSN
11:8	RW	0x0	gpio1c6_sel 4'h0: GPIO 4'h3: PDM0_CLK0_M0 4'h9: I2C4_SDA_M4 4'hb: PWM15_IR_M2
7:4	RW	0x0	gpio1c5_sel 4'h0: GPIO 4'h1: I2S0_LRCK 4'h9: I2C2_SCL_M3 4'ha: UART4_RTSN
3:0	RW	0x0	gpio1c4_sel 4'h0: GPIO 4'h3: PDM0_CLK1_M0 4'h4: PCIE30PHY_DTBO 4'h8: SPI4_CS1_M0 4'h9: I2C2_SDA_M3 4'hb: PWM11_IR_M2

**BUS IOC GPIO1D IOMUX SEL L**

Address: Operational Base + offset (0x0038)

Bit	Attr	Reset Value	Description
31:16	WO	0x0000	write_enable Write enable for lower 16bits, each bit is individual 1'b0: Write access disable 1'b1: Write access enable

Bit	Attr	Reset Value	Description
15:12	RW	0x0	gpio1d3_sel 4'h0: GPIO 4'h2: I2S0_SDI1 4'h3: PDM0_SDI3_M0 4'h8: SPI1_CS0_M2 4'h9: I2C1_SDA_M4 4'ha: UART4_RX_M0 4'hb: PWM1_M1
11:8	RW	0x0	gpio1d2_sel 4'h0: GPIO 4'h1: I2S0_SDO3 4'h2: I2S0_SDI2 4'h3: PDM0_SDI2_M0 4'h8: SPI1_CLK_M2 4'h9: I2C1_SCL_M4 4'ha: UART4_TX_M0 4'hb: PWM0_M1
7:4	RW	0x0	gpio1d1_sel 4'h0: GPIO 4'h1: I2S0_SDO2 4'h2: I2S0_SDI3 4'h3: PDM0_SDI1_M0 4'h4: PCIE30PHY_DTB1 4'h8: SPI1_MOSI_M2 4'h9: I2C7_SDA_M0 4'ha: UART6_RX_M2
3:0	RW	0x0	gpio1d0_sel 4'h0: GPIO 4'h1: I2S0_SDO1 4'h8: SPI1_MISO_M2 4'h9: I2C7_SCL_M0 4'ha: UART6_TX_M2

**BUS IOC GPIO1D IOMUX SEL H**

Address: Operational Base + offset (0x003C)

Bit	Attr	Reset Value	Description
31:16	WO	0x0000	write_enable Write enable for lower 16bits, each bit is individual 1'b0: Write access disable 1'b1: Write access enable
15:12	RW	0x0	gpio1d7_sel 4'h0: GPIO 4'h2: MIPI_CAMERA4_CLK_M0 4'h4: PCIE30X2_CLKREQN_M3 4'h5: HDMI_RX_SDA_M2 4'h9: I2C8_SDA_M2 4'ha: UART1_CTSN_M1 4'hb: PWM15_IR_M3
11:8	RW	0x0	gpio1d6_sel 4'h0: GPIO 4'h2: MIPI_CAMERA3_CLK_M0 4'h5: HDMI_RX_SCL_M2 4'h9: I2C8_SCL_M2 4'ha: UART1_RTSN_M1 4'hb: PWM14_M2

Bit	Attr	Reset Value	Description
7:4	RW	0x0	gpio1d5_sel 4'h0: GPIO 4'h3: PDM0_SDIO_M0 4'h8: SPI1_CS1_M2
3:0	RW	0x0	gpio1d4_sel 4'h0: GPIO 4'h2: I2S0_SDIO

**BUS IOC GPIO2A IOMUX SEL L**

Address: Operational Base + offset (0x0040)

Bit	Attr	Reset Value	Description
31:16	WO	0x0000	write_enable Write enable for lower 16bits, each bit is individual 1'b0: Write access disable 1'b1: Write access enable
15:12	RW	0x0	gpio2a3_sel 4'h0: GPIO 4'h1: EMMC_RSTN 4'h9: I2C2_SCL_M2 4'ha: UART5_RTSN_M1
11:8	RW	0x0	gpio2a2_sel 4'h0: GPIO 4'h1: EMMC_DATA_STROBE 4'h9: I2C2_SDA_M2 4'ha: UART5_CTSN_M1
7:4	RW	0x0	gpio2a1_sel 4'h0: GPIO 4'h1: EMMC_CLKOUT
3:0	RW	0x0	gpio2a0_sel 4'h0: GPIO 4'h1: EMMC_CMD 4'h2: FSPI_CLK_M0

**BUS IOC GPIO2A IOMUX SEL H**

Address: Operational Base + offset (0x0044)

Bit	Attr	Reset Value	Description
31:16	WO	0x0000	write_enable Write enable for lower 16bits, each bit is individual 1'b0: Write access disable 1'b1: Write access enable
15:12	RW	0x0	gpio2a7_sel 4'h0: GPIO 4'h1: GMAC0_RXD3 4'h2: SDIO_D1_M0 4'h3: FSPI_D1_M1 4'ha: UART6_TX_M0
11:8	RW	0x0	gpio2a6_sel 4'h0: GPIO 4'h1: GMAC0_RXD2 4'h2: SDIO_D0_M0 4'h3: FSPI_D0_M1 4'ha: UART6_RX_M0
7:0	RO	0x00	reserved

**BUS IOC GPIO2B IOMUX SEL L**

Address: Operational Base + offset (0x0048)

Bit	Attr	Reset Value	Description
31:16	WO	0x0000	write_enable Write enable for lower 16bits, each bit is individual 1'b0: Write access disable 1'b1: Write access enable
15:12	RW	0x0	gpio2b3_sel 4'h0: GPIO 4'h1: GMAC0_TXCLK 4'h2: SDIO_CLK_M0 4'h3: FSPI_CLK_M1 4'h9: I2C3_SDA_M3
11:8	RW	0x0	gpio2b2_sel 4'h0: GPIO 4'h1: GMAC0_TXD3 4'h2: SDIO_CMD_M0 4'h9: I2C3_SCL_M3
7:4	RW	0x0	gpio2b1_sel 4'h0: GPIO 4'h1: GMAC0_TXD2 4'h2: SDIO_D3_M0 4'h3: FSPI_D3_M1 4'h9: I2C8_SDA_M1 4'ha: UART6_CTSN_M0
3:0	RW	0x0	gpio2b0_sel 4'h0: GPIO 4'h1: GMAC0_RXCLK 4'h2: SDIO_D2_M0 4'h3: FSPI_D2_M1 4'h9: I2C8_SCL_M1 4'ha: UART6_RTSN_M0

**BUS IOC GPIO2B IOMUX SEL H**

Address: Operational Base + offset (0x004C)

Bit	Attr	Reset Value	Description
31:16	WO	0x0000	write_enable Write enable for lower 16bits, each bit is individual 1'b0: Write access disable 1'b1: Write access enable
15:12	RW	0x0	gpio2b7_sel 4'h0: GPIO 4'h1: GMAC0_TXD1 4'h2: I2S2_SCLK_M0 4'h9: I2C5_SDA_M4 4'ha: UART1_TX_M0
11:8	RW	0x0	gpio2b6_sel 4'h0: GPIO 4'h1: GMAC0_TXD0 4'h2: I2S2_MCLK_M0 4'h9: I2C5_SCL_M4 4'ha: UART1_RX_M0

Bit	Attr	Reset Value	Description
7:4	RW	0x0	gpio2b5_sel 4'h0: GPIO 4'h1: GMAC0_PPSTRING 4'h3: FSPI_CS1N_M1 4'h4: HDMI_TX1_SCL_M0 4'h9: I2C4_SCL_M1 4'ha: UART7_TX_M0
3:0	RW	0x0	gpio2b4_sel 4'h0: GPIO 4'h1: GMAC0_PTP_REFCLK 4'h3: FSPI_CS0N_M1 4'h4: HDMI_TX1_SDA_M0 4'h9: I2C4_SDA_M1 4'ha: UART7_RX_M0

**BUS IOC GPIO2C IOMUX SEL L**

Address: Operational Base + offset (0x0050)

Bit	Attr	Reset Value	Description
31:16	WO	0x0000	write_enable Write enable for lower 16bits, each bit is individual 1'b0: Write access disable 1'b1: Write access enable
15:12	RW	0x0	gpio2c3_sel 4'h0: GPIO 4'h1: ETH0_REFCLKO_25M 4'h2: I2S2_SDI_M0 4'h8: SPI1_CS0_M0 4'h9: I2C6_SCL_M2
11:8	RW	0x0	gpio2c2_sel 4'h0: GPIO 4'h1: GMAC0_RXD1 4'h8: SPI1_MOSI_M0 4'h9: I2C6_SDA_M2 4'ha: UART9_TX_M0
7:4	RW	0x0	gpio2c1_sel 4'h0: GPIO 4'h1: GMAC0_RXD0 4'h8: SPI1_MISO_M0 4'h9: I2C2_SCL_M1 4'ha: UART1_CTSN_M0
3:0	RW	0x0	gpio2c0_sel 4'h0: GPIO 4'h1: GMAC0_TXEN 4'h2: I2S2_LRCK_M0 4'h8: SPI1_CLK_M0 4'h9: I2C2_SDA_M1 4'ha: UART1_RTSN_M0

**BUS IOC GPIO2C IOMUX SEL H**

Address: Operational Base + offset (0x0054)

Bit	Attr	Reset Value	Description
31:16	WO	0x0000	write_enable Write enable for lower 16bits, each bit is individual 1'b0: Write access disable 1'b1: Write access enable



Bit	Attr	Reset Value	Description
15:8	RO	0x00	reserved
7:4	RW	0x0	gpio2c5_sel 4'h0: GPIO 4'h1: CLK32K_OUT1
3:0	RW	0x0	gpio2c4_sel 4'h0: GPIO 4'h1: GMAC0_PPSCLK 4'h3: TEST_CLKOUT_M1 4'h4: HDMI_TX1_CEC_M0 4'h8: SPI1_CS1_M0 4'ha: UART9_RX_M0

**BUS IOC GPIO2D IOMUX SEL L**

Address: Operational Base + offset (0x0058)

Bit	Attr	Reset Value	Description
31:16	WO	0x0000	write_enable Write enable for lower 16bits, each bit is individual 1'b0: Write access disable 1'b1: Write access enable
15:12	RW	0x0	gpio2d3_sel 4'h0: GPIO 4'h1: EMMC_D3 4'h2: FSPI_D3_M0
11:8	RW	0x0	gpio2d2_sel 4'h0: GPIO 4'h1: EMMC_D2 4'h2: FSPI_D2_M0
7:4	RW	0x0	gpio2d1_sel 4'h0: GPIO 4'h1: EMMC_D1 4'h2: FSPI_D1_M0
3:0	RW	0x0	gpio2d0_sel 4'h0: GPIO 4'h1: EMMC_D0 4'h2: FSPI_D0_M0

**BUS IOC GPIO2D IOMUX SEL H**

Address: Operational Base + offset (0x005C)

Bit	Attr	Reset Value	Description
31:16	WO	0x0000	write_enable Write enable for lower 16bits, each bit is individual 1'b0: Write access disable 1'b1: Write access enable
15:12	RW	0x0	gpio2d7_sel 4'h0: GPIO 4'h1: EMMC_D7 4'h2: FSPI_CS1N_M0
11:8	RW	0x0	gpio2d6_sel 4'h0: GPIO 4'h1: EMMC_D6 4'h2: FSPI_CS0N_M0

Bit	Attr	Reset Value	Description
7:4	RW	0x0	gpio2d5_sel 4'h0: GPIO 4'h1: EMMC_D5 4'h9: I2C1_SDA_M3 4'ha: UART5_TX_M2
3:0	RW	0x0	gpio2d4_sel 4'h0: GPIO 4'h1: EMMC_D4 4'h9: I2C1_SCL_M3 4'ha: UART5_RX_M2

**BUS IOC GPIO3A IOMUX SEL L**

Address: Operational Base + offset (0x0060)

Bit	Attr	Reset Value	Description
31:16	WO	0x0000	write_enable Write enable for lower 16bits, each bit is individual 1'b0: Write access disable 1'b1: Write access enable
15:12	RW	0x0	gpio3a3_sel 4'h0: GPIO 4'h1: GMAC1_RXD3 4'h2: SDIO_D3_M1 4'h3: I2S3_SDO 4'h4: AUDDSM_RN 4'h5: FSPI_D3_M2 4'h8: SPI4_CS0_M1 4'ha: UART8_RX_M1
11:8	RW	0x0	gpio3a2_sel 4'h0: GPIO 4'h1: GMAC1_RXD2 4'h2: SDIO_D2_M1 4'h3: I2S3_LRCK 4'h4: AUDDSM_LP 4'h5: FSPI_D2_M2 4'h8: SPI4_CLK_M1 4'ha: UART8_TX_M1
7:4	RW	0x0	gpio3a1_sel 4'h0: GPIO 4'h1: GMAC1_TXD3 4'h2: SDIO_D1_M1 4'h3: I2S3_SCLK 4'h4: AUDDSM_LN 4'h5: FSPI_D1_M2 4'h8: SPI4_MOSI_M1 4'h9: I2C6_SCL_M4 4'hb: PWM11_IR_M0
3:0	RW	0x0	gpio3a0_sel 4'h0: GPIO 4'h1: GMAC1_TXD2 4'h2: SDIO_D0_M1 4'h3: I2S3_MCLK 4'h5: FSPI_D0_M2 4'h8: SPI4_MISO_M1 4'h9: I2C6_SDA_M4 4'hb: PWM10_M0

**BUS IOC GPIO3A IOMUX SEL H**

Address: Operational Base + offset (0x0064)

Bit	Attr	Reset Value	Description
31:16	WO	0x0000	write_enable Write enable for lower 16bits, each bit is individual 1'b0: Write access disable 1'b1: Write access enable
15:12	RW	0x0	gpio3a7_sel 4'h0: GPIO 4'h1: GMAC1_RXD0 4'h4: MIPI_CAMERA2_CLK_M1 4'hb: PWM8_M0
11:8	RW	0x0	gpio3a6_sel 4'h0: GPIO 4'h1: ETH1_REFCLKO_25M 4'h4: MIPI_CAMERA1_CLK_M1 4'h9: I2C4_SCL_M0
7:4	RW	0x0	gpio3a5_sel 4'h0: GPIO 4'h1: GMAC1_RXCLK 4'h2: SDIO_CLK_M1 4'h4: MIPI_CAMERA0_CLK_M1 4'h5: FSPI_CLK_M2 4'h9: I2C4_SDA_M0 4'ha: UART8_CTSN_M1
3:0	RW	0x0	gpio3a4_sel 4'h0: GPIO 4'h1: GMAC1_TXCLK 4'h2: SDIO_CMD_M1 4'h3: I2S3_SDI 4'h4: AUDDSM_RP 4'h8: SPI4_CS1_M1 4'ha: UART8_RTSN_M1

**BUS IOC GPIO3B IOMUX SEL L**

Address: Operational Base + offset (0x0068)

Bit	Attr	Reset Value	Description
31:16	WO	0x0000	write_enable Write enable for lower 16bits, each bit is individual 1'b0: Write access disable 1'b1: Write access enable
15:12	RW	0x0	gpio3b3_sel 4'h0: GPIO 4'h1: GMAC1_TXD0 4'h3: I2S2_SDO_M1 4'ha: UART2_RTSN
11:8	RW	0x0	gpio3b2_sel 4'h0: GPIO 4'h1: GMAC1_TXER 4'h3: I2S2_SDI_M1 4'ha: UART2_RX_M2 4'hb: PWM3_IR_M1

Bit	Attr	Reset Value	Description
7:4	RW	0x0	gpio3b1_sel 4'h0: GPIO 4'h1: GMAC1_RXDV_CRIS 4'h4: MIPI_CAMERA4_CLK_M1 4'ha: UART2_TX_M2 4'hb: PWM2_M1
3:0	RW	0x0	gpio3b0_sel 4'h0: GPIO 4'h1: GMAC1_RXD1 4'h4: MIPI_CAMERA3_CLK_M1 4'hb: PWM9_M0

**BUS IOC GPIO3B IOMUX SEL H**

Address: Operational Base + offset (0x006C)

Bit	Attr	Reset Value	Description
31:16	WO	0x0000	write_enable Write enable for lower 16bits, each bit is individual 1'b0: Write access disable 1'b1: Write access enable
15:12	RW	0x0	gpio3b7_sel 4'h0: GPIO 4'h1: GMAC1_PTP_REF_CLK 4'h5: HDMI_TX1_HPD_M1 4'h8: SPI1_MOSI_M1 4'h9: I2C3_SCL_M1
11:8	RW	0x0	gpio3b6_sel 4'h0: GPIO 4'h1: GMAC1_MCLKINOUT 4'h3: I2S2_LRCK_M1 4'h9: CAN1_TX_M0 4'ha: UART3_RX_M1 4'hb: PWM13_M0
7:4	RW	0x0	gpio3b5_sel 4'h0: GPIO 4'h1: GMAC1_TXEN 4'h3: I2S2_SCLK_M1 4'h9: CAN1_RX_M0 4'ha: UART3_TX_M1 4'hb: PWM12_M0
3:0	RW	0x0	gpio3b4_sel 4'h0: GPIO 4'h1: GMAC1_TXD1 4'h3: I2S2_MCLK_M1 4'ha: UART2_CTSN

**BUS IOC GPIO3C IOMUX SEL L**

Address: Operational Base + offset (0x0070)

Bit	Attr	Reset Value	Description
31:16	WO	0x0000	write_enable Write enable for lower 16bits, each bit is individual 1'b0: Write access disable 1'b1: Write access enable

Bit	Attr	Reset Value	Description
15:12	RW	0x0	gpio3c3_sel 4'h0: GPIO 4'h1: GMAC1_MDIO 4'h2: MIPI_TE1 4'h8: SPI1_CS1_M1 4'h9: I2C8_SDA_M4 4'ha: UART7_CTSN_M1 4'hb: PWM15_IR_M0
11:8	RW	0x0	gpio3c2_sel 4'h0: GPIO 4'h1: GMAC1_MDC 4'h2: MIPI_TE0 4'h8: SPI1_CS0_M1 4'h9: I2C8_SCL_M4 4'ha: UART7_RTSN_M1 4'hb: PWM14_M0
7:4	RW	0x0	gpio3c1_sel 4'h0: GPIO 4'h1: GMAC1_PPCLK 4'h4: PCIE30X2_BUTTON_RSTN 4'h8: SPI1_CLK_M1 4'ha: UART7_RX_M1
3:0	RW	0x0	gpio3c0_sel 4'h0: GPIO 4'h1: GMAC1_PPSTRIG 4'h8: SPI1_MISO_M1 4'h9: I2C3_SDA_M1 4'ha: UART7_TX_M1

**BUS IOC GPIO3C IOMUX SEL H**

Address: Operational Base + offset (0x0074)

Bit	Attr	Reset Value	Description
31:16	WO	0x0000	write_enable Write enable for lower 16bits, each bit is individual 1'b0: Write access disable 1'b1: Write access enable
15:12	RW	0x0	gpio3c7_sel 4'h0: GPIO 4'h1: CIF_D11 4'h4: PCIE20X1_2_CLKREQN_M0 4'h5: HDMI_TX0_SCL_M2 4'h8: SPI3_MOSI_M3 4'h9: I2C5_SCL_M0
11:8	RW	0x0	gpio3c6_sel 4'h0: GPIO 4'h1: CIF_D10 4'h4: PCIE30X4_PERSTN_M2 4'h5: HDMI_TX1_SCL_M1 4'h8: SPI3_MISO_M3

Bit	Attr	Reset Value	Description
7:4	RW	0x0	gpio3c5_sel 4'h0: GPIO 4'h1: CIF_D9 4'h2: FSPI_CS1N_M2 4'h4: PCIE30X4_WAKEN_M2 4'h5: HDMI_TX1_SDA_M1 4'h8: SPI3_CS1_M3 4'h9: CAN2_TX_M0 4'ha: UART5_RX_M1
3:0	RW	0x0	gpio3c4_sel 4'h0: GPIO 4'h1: CIF_D8 4'h2: FSPI_CS0N_M2 4'h4: PCIE30X4_CLKREQN_M2 4'h5: HDMI_TX1_CEC_M2 4'h8: SPI3_CS0_M3 4'h9: CAN2_RX_M0 4'ha: UART5_TX_M1

**BUS\_IOC\_GPIO3D\_IOMUX\_SEL\_L**

Address: Operational Base + offset (0x0078)

Bit	Attr	Reset Value	Description
31:16	WO	0x0000	write_enable Write enable for lower 16bits, each bit is individual 1'b0: Write access disable 1'b1: Write access enable
15:12	RW	0x0	gpio3d3_sel 4'h0: GPIO 4'h1: CIF_D15 4'h4: PCIE30X2_WAKEN_M2 4'h5: HDMI_RX_SDA_M1 4'h8: SPI0_CLK_M3 4'h9: I2C7_SDA_M2 4'ha: UART9_CTSN_M2 4'hb: PWM10_M2
11:8	RW	0x0	gpio3d2_sel 4'h0: GPIO 4'h1: CIF_D14 4'h4: PCIE30X2_CLKREQN_M2 4'h5: HDMI_RX_SCL_M1 4'h8: SPI0_MOSI_M3 4'h9: I2C7_SCL_M2 4'ha: UART9_RTSTN_M2
7:4	RW	0x0	gpio3d1_sel 4'h0: GPIO 4'h1: CIF_D13 4'h4: PCIE20X1_2_PERSTN_M0 4'h5: HDMI_RX_CEC_M1 4'h8: SPI0_MISO_M3 4'ha: UART4_TX_M1 4'hb: PWM9_M2

Bit	Attr	Reset Value	Description
3:0	RW	0x0	gpio3d0_sel 4'h0: GPIO 4'h1: CIF_D12 4'h4: PCIE20X1_2_WAKEN_M0 4'h5: HDMI_TX0_SDA_M2 4'h8: SPI3_CLK_M3 4'h9: I2C5_SDA_M0 4'ha: UART4_RX_M1 4'hb: PWM8_M2

**BUS IOC GPIO3D IOMUX SEL H**

Address: Operational Base + offset (0x007C)

Bit	Attr	Reset Value	Description
31:16	WO	0x0000	write_enable Write enable for lower 16bits, each bit is individual 1'b0: Write access disable 1'b1: Write access enable
15:8	RO	0x00	reserved
7:4	RW	0x0	gpio3d5_sel 4'h0: GPIO 4'h4: PCIE30X4_BUTTON_RSTN 4'h5: DP1_HPDIN_M0 4'h6: MCU_JTAG_TMS_M1 4'h8: SPI0_CS1_M3 4'ha: UART9_TX_M2 4'hb: PWM11_IR_M3
3:0	RW	0x0	gpio3d4_sel 4'h0: GPIO 4'h3: HDMI_TX0_HPD_M1 4'h4: PCIE30X2_PERSTN_M2 4'h5: HDMI_RX_HPDOOUT_M1 4'h6: MCU_JTAG_TCK_M1 4'h8: SPI0_CS0_M3 4'ha: UART9_RX_M2

**BUS IOC GPIO4A IOMUX SEL L**

Address: Operational Base + offset (0x0080)

Bit	Attr	Reset Value	Description
31:16	WO	0x0000	write_enable Write enable for lower 16bits, each bit is individual 1'b0: Write access disable 1'b1: Write access enable
15:12	RW	0x0	gpio4a3_sel 4'h0: GPIO 4'h1: CIF_D3 4'h2: BT1120_D3 4'h4: PCIE30X1_0_CLKREQN_M1 4'h7: DDRPHYCH0_DTB3 4'ha: UART0_TX_M2

Bit	Attr	Reset Value	Description
11:8	RW	0x0	gpio4a2_sel 4'h0: GPIO 4'h1: CIF_D2 4'h2: BT1120_D2 4'h3: I2S1_LRCK_M0 4'h4: PCIE30X1_1_PERSTN_M1 4'h7: DDRPHYCH0_DTB2 4'h8: SPI0_CLK_M1
7:4	RW	0x0	gpio4a1_sel 4'h0: GPIO 4'h1: CIF_D1 4'h2: BT1120_D1 4'h3: I2S1_SCLK_M0 4'h4: PCIE30X1_1_WAKEN_M1 4'h7: DDRPHYCH0_DTB1 4'h8: SPI0_MOSI_M1 4'ha: UART9_CTSN_M1
3:0	RW	0x0	gpio4a0_sel 4'h0: GPIO 4'h1: CIF_D0 4'h2: BT1120_D0 4'h3: I2S1_MCLK_M0 4'h4: PCIE30X1_1_CLKREQN_M1 4'h7: DDRPHYCH0_DTB0 4'h8: SPI0_MISO_M1 4'ha: UART9_RTSN_M1

**BUS\_IOC\_GPIO4A\_IOMUX\_SEL\_H**

Address: Operational Base + offset (0x0084)

Bit	Attr	Reset Value	Description
31:16	WO	0x0000	write_enable Write enable for lower 16bits, each bit is individual 1'b0: Write access disable 1'b1: Write access enable
15:12	RW	0x0	gpio4a7_sel 4'h0: GPIO 4'h1: CIF_D7 4'h2: BT1120_D7 4'h3: I2S1_SDI2_M0 4'h4: PCIE30X2_WAKEN_M1 4'h7: DDRPHYCH1_DTB3 4'h8: SPI2_CS0_M1 4'h9: I2C5_SDA_M2
11:8	RW	0x0	gpio4a6_sel 4'h0: GPIO 4'h1: CIF_D6 4'h2: BT1120_D6 4'h3: I2S1_SDI1_M0 4'h4: PCIE30X2_CLKREQN_M1 4'h7: DDRPHYCH1_DTB2 4'h8: SPI2_CLK_M1 4'h9: I2C5_SCL_M2 4'ha: UART3_RX_M2



Bit	Attr	Reset Value	Description
7:4	RW	0x0	gpio4a5_sel 4'h0: GPIO 4'h1: CIF_D5 4'h2: BT1120_D5 4'h3: I2S1_SDI0_M0 4'h4: PCIE30X1_0_PERSTN_M1 4'h7: DDRPHYCH1_DTB1 4'h8: SPI2_MOSI_M1 4'h9: I2C3_SDA_M2 4'ha: UART3_TX_M2
3:0	RW	0x0	gpio4a4_sel 4'h0: GPIO 4'h1: CIF_D4 4'h2: BT1120_D4 4'h4: PCIE30X1_0_WAKEN_M1 4'h7: DDRPHYCH1_DTB0 4'h8: SPI2_MISO_M1 4'h9: I2C3_SCL_M2 4'ha: UART0_RX_M2

**BUS IOC GPIO4B IOMUX SEL L**

Address: Operational Base + offset (0x0088)

Bit	Attr	Reset Value	Description
31:16	WO	0x0000	write_enable Write enable for lower 16bits, each bit is individual 1'b0: Write access disable 1'b1: Write access enable
15:12	RW	0x0	gpio4b3_sel 4'h0: GPIO 4'h1: CIF_VSYNC 4'h2: BT1120_D9 4'h3: I2S1_SDO2_M0 4'h4: PCIE20X1_2_BUTTON_RSTN 4'h7: DDRPHYCH2_DTB3 4'h9: I2C7_SDA_M3 4'ha: UART8_CTSN_M0 4'hb: PWM15_IR_M1 4'hc: CAN1_TX_M1
11:8	RW	0x0	gpio4b2_sel 4'h0: GPIO 4'h1: CIF_HREF 4'h2: BT1120_D8 4'h3: I2S1_SDO1_M0 4'h4: PCIE30X1_1_BUTTON_RSTN 4'h7: DDRPHYCH2_DTB2 4'h8: SPI0_CS0_M1 4'h9: I2C7_SCL_M3 4'ha: UART8_RTSN_M0 4'hb: PWM14_M1 4'hc: CAN1_RX_M1

Bit	Attr	Reset Value	Description
7:4	RW	0x0	gpio4b1_sel 4'h0: GPIO 4'h1: MIPI_CAMERA0_CLK_M0 4'h2: SPDIF1_TX_M1 4'h3: I2S1_SDO0_M0 4'h4: PCIE30X1_0_BUTTON_RSTN 4'h6: SATA2_ACT_LED_M0 4'h7: DDRPHYCH2_DTB1 4'h8: SPI0_CS1_M1 4'h9: I2C6_SCL_M3 4'ha: UART8_RX_M0
3:0	RW	0x0	gpio4b0_sel 4'h0: GPIO 4'h1: CIF_CLKIN 4'h2: BT1120_CLKOUT 4'h3: I2S1_SDI3_M0 4'h4: PCIE30X2_PERSTN_M1 4'h7: DDRPHYCH2_DTBO 4'h8: SPI2_CS1_M1 4'h9: I2C6_SDA_M3 4'ha: UART8_TX_M0

**BUS IOC GPIO4B IOMUX SEL H**

Address: Operational Base + offset (0x008C)

Bit	Attr	Reset Value	Description
31:16	WO	0x0000	write_enable Write enable for lower 16bits, each bit is individual 1'b0: Write access disable 1'b1: Write access enable
15:12	RW	0x0	gpio4b7_sel 4'h0: GPIO 4'h2: BT1120_D13 4'h4: PCIE20X1_2_CLKREQN_M1 4'h5: HDMI_TX0_SCL_M0 4'h7: DDRPHYCH3_DTB3 4'h8: SPI3_CLK_M1 4'h9: I2C5_SDA_M1
11:8	RW	0x0	gpio4b6_sel 4'h0: GPIO 4'h2: BT1120_D12 4'h4: PCIE30X4_PERSTN_M1 4'h5: HDMI_RX_HPDOOUT_M0 4'h6: SATA0_ACT_LED_M0 4'h7: DDRPHYCH3_DTB2 4'h8: SPI3_MOSI_M1 4'h9: I2C5_SCL_M1 4'hb: PWM13_M1

Bit	Attr	Reset Value	Description
7:4	RW	0x0	gpio4b5_sel 4'h0: GPIO 4'h2: BT1120_D11 4'h4: PCIE30X4_WAKEN_M1 4'h5: HDMI_RX_CEC_M0 4'h6: SATA1_ACT_LED_M0 4'h7: DDRPHYCH3_DTB1 4'h8: SPI3_MISO_M1 4'ha: UART9_RX_M1 4'hb: PWM12_M1
3:0	RW	0x0	gpio4b4_sel 4'h0: GPIO 4'h1: CIF_CLKOUT 4'h2: BT1120_D10 4'h3: I2S1_SDO3_M0 4'h4: PCIE30X4_CLKREQN_M1 4'h5: DP0_HPDIN_M0 4'h6: SPDIF0_TX_M1 4'h7: DDRPHYCH3_DTBO 4'ha: UART9_TX_M1 4'hb: PWM11_IR_M1

**BUS IOC GPIO4C IOMUX SEL L**

Address: Operational Base + offset (0x0090)

Bit	Attr	Reset Value	Description
31:16	WO	0x0000	write_enable Write enable for lower 16bits, each bit is individual 1'b0: Write access disable 1'b1: Write access enable
15:12	RW	0x0	gpio4c3_sel 4'h0: GPIO 4'h1: GMAC0_MCLKINOUT 4'h2: I2S2_SDO_M0 4'h8: SPI3_CS1_M0 4'h9: I2C7_SCL_M1 4'hb: PWM4_M1
11:8	RW	0x0	gpio4c2_sel 4'h0: GPIO 4'h1: GMAC0_RXDV_CRS 4'h8: SPI3_CS0_M0 4'ha: UART7_RTSN_M0 4'hb: PWM2_M2
7:4	RW	0x0	gpio4c1_sel 4'h0: GPIO 4'h2: BT1120_D15 4'h3: SPDIF1_TX_M2 4'h4: PCIE20X1_2_PERSTN_M1 4'h5: HDMI_TX0_CEC_M0 4'h8: SPI3_CS1_M1 4'h9: I2C8_SDA_M3 4'hb: PWM6_M1

Bit	Attr	Reset Value	Description
3:0	RW	0x0	gpio4c0_sel 4'h0: GPIO 4'h2: BT1120_D14 4'h4: PCIE20X1_2_WAKEN_M1 4'h5: HDMI_TX0_SDA_M0 4'h8: SPI3_CS0_M1 4'h9: I2C8_SCL_M3

**BUS IOC GPIO4C IOMUX SEL H**

Address: Operational Base + offset (0x0094)

Bit	Attr	Reset Value	Description
31:16	WO	0x0000	write_enable Write enable for lower 16bits, each bit is individual 1'b0: Write access disable 1'b1: Write access enable
15:12	RO	0x0	reserved
11:8	RW	0x0	gpio4c6_sel 4'h0: GPIO 4'h1: GMAC0_TXER 4'h8: SPI3_CLK_M0 4'h9: I2C0_SDA_M1 4'ha: UART7_CTSN_M0 4'hb: PWM7_IR_M3
7:4	RW	0x0	gpio4c5_sel 4'h0: GPIO 4'h1: GMAC0_MDIO 4'h8: SPI3_MOSI_M0 4'h9: I2C0_SCL_M1 4'ha: UART9_CTSN_M0 4'hb: PWM6_M2
3:0	RW	0x0	gpio4c4_sel 4'h0: GPIO 4'h1: GMAC0_MDC 4'h8: SPI3_MISO_M0 4'h9: I2C7_SDA_M1 4'ha: UART9_RTSN_M0 4'hb: PWM5_M2

**BUS IOC GPIO4D IOMUX SEL L**

Address: Operational Base + offset (0x0098)

Bit	Attr	Reset Value	Description
31:16	WO	0x0000	write_enable Write enable for lower 16bits, each bit is individual 1'b0: Write access disable 1'b1: Write access enable
15:12	RW	0x5	gpio4d3_sel 4'h0: GPIO 4'h1: SDMMC_D3 4'h2: PDM1_SDI0_M0 4'h5: JTAG_TMS_M0 4'h9: I2C8_SDA_M0 4'ha: UART5_RTSN_M0 4'hb: PWM10_M1

Bit	Attr	Reset Value	Description
11:8	RW	0x5	gpio4d2_sel 4'h0: GPIO 4'h1: SDMMC_D2 4'h2: PDM1_SDI1_M0 4'h5: JTAG_TCK_M0 4'h9: I2C8_SCL_M0 4'ha: UART5_CTSN_M0
7:4	RW	0x0	gpio4d1_sel 4'h0: GPIO 4'h1: SDMMC_D1 4'h2: PDM1_SDI2_M0 4'h5: JTAG_TMS_M1 4'h9: I2C3_SDA_M4 4'ha: UART2_RX_M1 4'hb: PWM9_M1
3:0	RW	0x0	gpio4d0_sel 4'h0: GPIO 4'h1: SDMMC_D0 4'h2: PDM1_SDI3_M0 4'h5: JTAG_TCK_M1 4'h9: I2C3_SCL_M4 4'ha: UART2_TX_M1 4'hb: PWM8_M1

**BUS IOC GPIO4D IOMUX SEL H**

Address: Operational Base + offset (0x009C)

Bit	Attr	Reset Value	Description
31:16	WO	0x0000	write_enable Write enable for lower 16bits, each bit is individual 1'b0: Write access disable 1'b1: Write access enable
15:8	RO	0x00	reserved
7:4	RW	0x0	gpio4d5_sel 4'h0: GPIO 4'h1: SDMMC_CLK 4'h2: PDM1_CLK0_M0 4'h4: TEST_CLKOUT_M0 4'h5: MCU_JTAG_TMS_M0 4'h9: CAN0_RX_M1 4'ha: UART5_TX_M0
3:0	RW	0x0	gpio4d4_sel 4'h0: GPIO 4'h1: SDMMC_CMD 4'h2: PDM1_CLK1_M0 4'h5: MCU_JTAG_TCK_M0 4'h9: CAN0_TX_M1 4'ha: UART5_RX_M0 4'hb: PWM7_IR_M1

**6.28 VCCIO1\_4\_IOC Register Description**

**6.28.1 Registers Summary**

Name	Offset	Size	Reset Value	Description
<u>VCCIO1_4_IOC_GPIO1A_DS_L</u>	0x0020	W	0x00006666	GPIO1A Driver Strength Control Low bits
<u>VCCIO1_4_IOC_GPIO1A_DS_H</u>	0x0024	W	0x00006666	GPIO1A Driver Strength Control High bits
<u>VCCIO1_4_IOC_GPIO1B_DS_L</u>	0x0028	W	0x00006666	GPIO1B Driver Strength Control Low bits
<u>VCCIO1_4_IOC_GPIO1B_DS_H</u>	0x002C	W	0x00006666	GPIO1B Driver Strength Control High bits
<u>VCCIO1_4_IOC_GPIO1C_DS_L</u>	0x0030	W	0x00001111	GPIO1C Driver Strength Control Low bits
<u>VCCIO1_4_IOC_GPIO1C_DS_H</u>	0x0034	W	0x00001111	GPIO1C Driver Strength Control High bits
<u>VCCIO1_4_IOC_GPIO1D_DS_L</u>	0x0038	W	0x00001111	GPIO1D Driver Strength Control Low bits
<u>VCCIO1_4_IOC_GPIO1D_DS_H</u>	0x003C	W	0x00006611	GPIO1D Driver Strength Control High bits
<u>VCCIO1_4_IOC_GPIO1A_P</u>	0x0110	W	0x0000D555	GPIO1A Pull-up/down Control
<u>VCCIO1_4_IOC_GPIO1B_P</u>	0x0114	W	0x0000FF57	GPIO1B Pull-up/down Control
<u>VCCIO1_4_IOC_GPIO1C_P</u>	0x0118	W	0x00005550	GPIO1C Pull-up/down Control
<u>VCCIO1_4_IOC_GPIO1D_P</u>	0x011C	W	0x0000F555	GPIO1D Pull-up/down Control
<u>VCCIO1_4_IOC_GPIO1A_IE</u>	0x0180	W	0x000000FF	GPIO1A Input Enable Control
<u>VCCIO1_4_IOC_GPIO1B_IE</u>	0x0184	W	0x000000FF	GPIO1B Input Enable Control
<u>VCCIO1_4_IOC_GPIO1C_IE</u>	0x0188	W	0x000000FF	GPIO1C Input Enable Control
<u>VCCIO1_4_IOC_GPIO1D_IE</u>	0x018C	W	0x000000FF	GPIO1D Input Enable Control
<u>VCCIO1_4_IOC_GPIO1A_SMT</u>	0x0210	W	0x00000000	GPIO1A Schmitt Trigger Control
<u>VCCIO1_4_IOC_GPIO1B_SMT</u>	0x0214	W	0x00000000	GPIO1B Schmitt Trigger Control
<u>VCCIO1_4_IOC_GPIO1C_SMT</u>	0x0218	W	0x00000000	GPIO1C Schmitt Trigger Control
<u>VCCIO1_4_IOC_GPIO1D_SMT</u>	0x021C	W	0x00000000	GPIO1D Schmitt Trigger Control
<u>VCCIO1_4_IOC_GPIO_PDIS</u>	0x0280	W	0x00000000	Auto Pull-up/down disable Control

Notes: **Size:** **B**- Byte (8 bits) access, **HW**- Half WORD (16 bits) access, **W**-WORD (32 bits) access, **DW**- Double WORD (64 bits) access

### 6.28.2 Detail Registers Description

#### **VCCIO1\_4\_IOC\_GPIO1A\_DS\_L**

Address: Operational Base + offset (0x0020)

Bit	Attr	Reset Value	Description
31:16	WO	0x0000	write_enable Write enable for lower 16bits, each bit is individual 1'b0: Write access disable 1'b1: Write access enable
15	RO	0x0	reserved

Bit	Attr	Reset Value	Description
14:12	RW	0x6	gpio1a3_ds GPIO1A3 DS control Driver Strength Selection 3'b000: 100ohm 3'b100: 66ohm 3'b010: 50ohm 3'b110: 40ohm 3'b001: 33ohm 3'b101: 25ohm
11	RO	0x0	reserved
10:8	RW	0x6	gpio1a2_ds GPIO1A2 DS control Driver Strength Selection 3'b000: 100ohm 3'b100: 66ohm 3'b010: 50ohm 3'b110: 40ohm 3'b001: 33ohm 3'b101: 25ohm
7	RO	0x0	reserved
6:4	RW	0x6	gpio1a1_ds GPIO1A1 DS control Driver Strength Selection 3'b000: 100ohm 3'b100: 66ohm 3'b010: 50ohm 3'b110: 40ohm 3'b001: 33ohm 3'b101: 25ohm
3	RO	0x0	reserved
2:0	RW	0x6	gpio1a0_ds GPIO1A0 DS control Driver Strength Selection 3'b000: 100ohm 3'b100: 66ohm 3'b010: 50ohm 3'b110: 40ohm 3'b001: 33ohm 3'b101: 25ohm

**VCCIO1 4 IOC GPIO1A DS H**

Address: Operational Base + offset (0x0024)

Bit	Attr	Reset Value	Description
31:16	WO	0x0000	write_enable Write enable for lower 16bits, each bit is individual 1'b0: Write access disable 1'b1: Write access enable
15	RO	0x0	reserved

Bit	Attr	Reset Value	Description
14:12	RW	0x6	gpio1a7_ds GPIO1A7 DS control Driver Strength Selection 3'b000: 100ohm 3'b100: 66ohm 3'b010: 50ohm 3'b110: 40ohm 3'b001: 33ohm 3'b101: 25ohm
11	RO	0x0	reserved
10:8	RW	0x6	gpio1a6_ds GPIO1A6 DS control Driver Strength Selection 3'b000: 100ohm 3'b100: 66ohm 3'b010: 50ohm 3'b110: 40ohm 3'b001: 33ohm 3'b101: 25ohm
7	RO	0x0	reserved
6:4	RW	0x6	gpio1a5_ds GPIO1A5 DS control Driver Strength Selection 3'b000: 100ohm 3'b100: 66ohm 3'b010: 50ohm 3'b110: 40ohm 3'b001: 33ohm 3'b101: 25ohm
3	RO	0x0	reserved
2:0	RW	0x6	gpio1a4_ds GPIO1A4 DS control Driver Strength Selection 3'b000: 100ohm 3'b100: 66ohm 3'b010: 50ohm 3'b110: 40ohm 3'b001: 33ohm 3'b101: 25ohm

**VCCIO1 4 IOC GPIO1B DS L**

Address: Operational Base + offset (0x0028)

Bit	Attr	Reset Value	Description
31:16	WO	0x0000	write_enable Write enable for lower 16bits, each bit is individual 1'b0: Write access disable 1'b1: Write access enable
15	RO	0x0	reserved



Bit	Attr	Reset Value	Description
14:12	RW	0x6	gpio1b3_ds GPIO1B3 DS control Driver Strength Selection 3'b000: 100ohm 3'b100: 66ohm 3'b010: 50ohm 3'b110: 40ohm 3'b001: 33ohm 3'b101: 25ohm
11	RO	0x0	reserved
10:8	RW	0x6	gpio1b2_ds GPIO1B2 DS control Driver Strength Selection 3'b000: 100ohm 3'b100: 66ohm 3'b010: 50ohm 3'b110: 40ohm 3'b001: 33ohm 3'b101: 25ohm
7	RO	0x0	reserved
6:4	RW	0x6	gpio1b1_ds GPIO1B1 DS control Driver Strength Selection 3'b000: 100ohm 3'b100: 66ohm 3'b010: 50ohm 3'b110: 40ohm 3'b001: 33ohm 3'b101: 25ohm
3	RO	0x0	reserved
2:0	RW	0x6	gpio1b0_ds GPIO1B0 DS control Driver Strength Selection 3'b000: 100ohm 3'b100: 66ohm 3'b010: 50ohm 3'b110: 40ohm 3'b001: 33ohm 3'b101: 25ohm

**VCCIO1 4 IOC GPIO1B DS H**

Address: Operational Base + offset (0x002C)

Bit	Attr	Reset Value	Description
31:16	WO	0x0000	write_enable Write enable for lower 16bits, each bit is individual 1'b0: Write access disable 1'b1: Write access enable
15	RO	0x0	reserved

Bit	Attr	Reset Value	Description
14:12	RW	0x6	gpio1b7_ds GPIO1D7 DS control Driver Strength Selection 3'b000: 100ohm 3'b100: 66ohm 3'b010: 50ohm 3'b110: 40ohm 3'b001: 33ohm 3'b101: 25ohm
11	RO	0x0	reserved
10:8	RW	0x6	gpio1b6_ds GPIO1D6 DS control Driver Strength Selection 3'b000: 100ohm 3'b100: 66ohm 3'b010: 50ohm 3'b110: 40ohm 3'b001: 33ohm 3'b101: 25ohm
7	RO	0x0	reserved
6:4	RW	0x6	gpio1b5_ds GPIO1D5 DS control Driver Strength Selection 3'b000: 100ohm 3'b100: 66ohm 3'b010: 50ohm 3'b110: 40ohm 3'b001: 33ohm 3'b101: 25ohm
3	RO	0x0	reserved
2:0	RW	0x6	gpio1b4_ds GPIO1D4 DS control Driver Strength Selection 3'b000: 100ohm 3'b100: 66ohm 3'b010: 50ohm 3'b110: 40ohm 3'b001: 33ohm 3'b101: 25ohm

**VCCIO1\_4\_IOC\_GPIO1C\_DS\_L**

Address: Operational Base + offset (0x0030)

Bit	Attr	Reset Value	Description
31:16	WO	0x0000	write_enable Write enable for lower 16bits, each bit is individual 1'b0: Write access disable 1'b1: Write access enable
15:14	RO	0x0	reserved
13:12	RW	0x1	gpio1c3_ds GPIO1C3 DS control Driver Strength Selection 2'b00: 2.5mA 100ohm 2'b10: 5mA 50ohm 2'b01: 7.5mA 33ohm 2'b11: 10mA 25ohm

Bit	Attr	Reset Value	Description
11:10	RO	0x0	reserved
9:8	RW	0x1	gpio1c2_ds GPIO1C2 DS control Driver Strength Selection 2'b00: 2.5mA 100ohm 2'b10: 5mA 50ohm 2'b01: 7.5mA 33ohm 2'b11: 10mA 25ohm
7:6	RO	0x0	reserved
5:4	RW	0x1	gpio1c1_ds GPIO1C1 DS control Driver Strength Selection 2'b00: 2.5mA 100ohm 2'b10: 5mA 50ohm 2'b01: 7.5mA 33ohm 2'b11: 10mA 25ohm
3:2	RO	0x0	reserved
1:0	RW	0x1	gpio1c0_ds GPIO1C0 DS control Driver Strength Selection 2'b00: 2.5mA 100ohm 2'b10: 5mA 50ohm 2'b01: 7.5mA 33ohm 2'b11: 10mA 25ohm

**VCCIO1 4 IOC GPIO1C DS H**

Address: Operational Base + offset (0x0034)

Bit	Attr	Reset Value	Description
31:16	WO	0x0000	write_enable Write enable for lower 16bits, each bit is individual 1'b0: Write access disable 1'b1: Write access enable
15:14	RO	0x0	reserved
13:12	RW	0x1	gpio1c7_ds GPIO1C7 DS control Driver Strength Selection 2'b00: 2.5mA 100ohm 2'b10: 5mA 50ohm 2'b01: 7.5mA 33ohm 2'b11: 10mA 25ohm
11:10	RO	0x0	reserved
9:8	RW	0x1	gpio1c6_ds GPIO1C6 DS control Driver Strength Selection 2'b00: 2.5mA 100ohm 2'b10: 5mA 50ohm 2'b01: 7.5mA 33ohm 2'b11: 10mA 25ohm
7:6	RO	0x0	reserved

Bit	Attr	Reset Value	Description
5:4	RW	0x1	gpio1c5_ds GPIO1C5 DS control Driver Strength Selection 2'b00: 2.5mA 100ohm 2'b10: 5mA 50ohm 2'b01: 7.5mA 33ohm 2'b11: 10mA 25ohm
3:2	RO	0x0	reserved
1:0	RW	0x1	gpio1c4_ds GPIO1C4 DS control Driver Strength Selection 2'b00: 2.5mA 100ohm 2'b10: 5mA 50ohm 2'b01: 7.5mA 33ohm 2'b11: 10mA 25ohm

**VCCIO1 4 IOC GPIO1D DS L**

Address: Operational Base + offset (0x0038)

Bit	Attr	Reset Value	Description
31:16	WO	0x0000	write_enable Write enable for lower 16bits, each bit is individual 1'b0: Write access disable 1'b1: Write access enable
15:14	RO	0x0	reserved
13:12	RW	0x1	gpio1d3_ds GPIO1D3 DS control Driver Strength Selection 2'b00: 2.5mA 100ohm 2'b10: 5mA 50ohm 2'b01: 7.5mA 33ohm 2'b11: 10mA 25ohm
11:10	RO	0x0	reserved
9:8	RW	0x1	gpio1d2_ds GPIO1D2 DS control Driver Strength Selection 2'b00: 2.5mA 100ohm 2'b10: 5mA 50ohm 2'b01: 7.5mA 33ohm 2'b11: 10mA 25ohm
7:6	RO	0x0	reserved
5:4	RW	0x1	gpio1d1_ds GPIO1D1 DS control Driver Strength Selection 2'b00: 2.5mA 100ohm 2'b10: 5mA 50ohm 2'b01: 7.5mA 33ohm 2'b11: 10mA 25ohm
3:2	RO	0x0	reserved
1:0	RW	0x1	gpio1d0_ds GPIO1D0 DS control Driver Strength Selection 2'b00: 2.5mA 100ohm 2'b10: 5mA 50ohm 2'b01: 7.5mA 33ohm 2'b11: 10mA 25ohm

**VCCIO1 4 IOC GPIO1D DS H**

Address: Operational Base + offset (0x003C)

Bit	Attr	Reset Value	Description
31:16	WO	0x0000	write_enable Write enable for lower 16bits, each bit is individual 1'b0: Write access disable 1'b1: Write access enable
15	RO	0x0	reserved
14:12	RW	0x6	gpio1d7_ds GPIO1D7 DS control Driver Strength Selection 3'b000: 100ohm 3'b100: 66ohm 3'b010: 50ohm 3'b110: 40ohm 3'b001: 33ohm 3'b101: 25ohm
11	RO	0x0	reserved
10:8	RW	0x6	gpio1d6_ds GPIO1D6 DS control Driver Strength Selection 3'b000: 100ohm 3'b100: 66ohm 3'b010: 50ohm 3'b110: 40ohm 3'b001: 33ohm 3'b101: 25ohm
7:6	RO	0x0	reserved
5:4	RW	0x1	gpio1d5_ds GPIO1D5 DS control Driver Strength Selection 2'b00: 2.5mA 100ohm 2'b10: 5mA 50ohm 2'b01: 7.5mA 33ohm 2'b11: 10mA 25ohm
3:2	RO	0x0	reserved
1:0	RW	0x1	gpio1d4_ds GPIO1D4 DS control Driver Strength Selection 2'b00: 2.5mA 100ohm 2'b10: 5mA 50ohm 2'b01: 7.5mA 33ohm 2'b11: 10mA 25ohm

**VCCIO1 4 IOC GPIO1A P**

Address: Operational Base + offset (0x0110)

Bit	Attr	Reset Value	Description
31:16	WO	0x0000	write_enable Write enable for lower 16bits, each bit is individual 1'b0: Write access disable 1'b1: Write access enable

Bit	Attr	Reset Value	Description
15	RW	0x1	gpio1a7_ps GPIO1A7 PS control Weak PU/PD Resistor Selection 1'b0: PD Selection 1'b1: PU Selection
14	RW	0x1	gpio1a7_pe GPIO1A7 PE control Active High Weak PU/PD Resistor Enable 1'b0: PU/PD Disable 1'b1: PU/PD Enable
13	RW	0x0	gpio1a6_ps GPIO1A6 PS control Weak PU/PD Resistor Selection 1'b0: PD Selection 1'b1: PU Selection
12	RW	0x1	gpio1a6_pe GPIO1A6 PE control Active High Weak PU/PD Resistor Enable 1'b0: PU/PD Disable 1'b1: PU/PD Enable
11	RW	0x0	gpio1a5_ps GPIO1A5 PS control Weak PU/PD Resistor Selection 1'b0: PD Selection 1'b1: PU Selection
10	RW	0x1	gpio1a5_pe GPIO1A5 PE control Active High Weak PU/PD Resistor Enable 1'b0: PU/PD Disable 1'b1: PU/PD Enable
9	RW	0x0	gpio1a4_ps GPIO1A4 PS control Weak PU/PD Resistor Selection 1'b0: PD Selection 1'b1: PU Selection
8	RW	0x1	gpio1a4_pe GPIO1A4 PE control Active High Weak PU/PD Resistor Enable 1'b0: PU/PD Disable 1'b1: PU/PD Enable
7	RW	0x0	gpio1a3_ps GPIO1A3 PS control Weak PU/PD Resistor Selection 1'b0: PD Selection 1'b1: PU Selection
6	RW	0x1	gpio1a3_pe GPIO1A3 PE control Active High Weak PU/PD Resistor Enable 1'b0: PU/PD Disable 1'b1: PU/PD Enable
5	RW	0x0	gpio1a2_ps GPIO1A2 PS control Weak PU/PD Resistor Selection 1'b0: PD Selection 1'b1: PU Selection

Bit	Attr	Reset Value	Description
4	RW	0x1	gpio1a2_pe GPIO1A2 PE control Active High Weak PU/PD Resistor Enable 1'b0: PU/PD Disable 1'b1: PU/PD Enable
3	RW	0x0	gpio1a1_ps GPIO1A1 PS control Weak PU/PD Resistor Selection 1'b0: PD Selection 1'b1: PU Selection
2	RW	0x1	gpio1a1_pe GPIO1A1 PE control Active High Weak PU/PD Resistor Enable 1'b0: PU/PD Disable 1'b1: PU/PD Enable
1	RW	0x0	gpio1a0_ps GPIO1A0 PS control Weak PU/PD Resistor Selection 1'b0: PD Selection 1'b1: PU Selection
0	RW	0x1	gpio1a0_pe GPIO1A0 PE control Active High Weak PU/PD Resistor Enable 1'b0: PU/PD Disable 1'b1: PU/PD Enable

**VCCIO1 4 IOC GPIO1B P**

Address: Operational Base + offset (0x0114)

Bit	Attr	Reset Value	Description
31:16	WO	0x0000	write_enable Write enable for lower 16bits, each bit is individual 1'b0: Write access disable 1'b1: Write access enable
15	RW	0x1	gpio1b7_ps GPIO1B7 PS control Weak PU/PD Resistor Selection 1'b0: PD Selection 1'b1: PU Selection
14	RW	0x1	gpio1b7_pe GPIO1B7 PE control Active High Weak PU/PD Resistor Enable 1'b0: PU/PD Disable 1'b1: PU/PD Enable
13	RW	0x1	gpio1b6_ps GPIO1B6 PS control Weak PU/PD Resistor Selection 1'b0: PD Selection 1'b1: PU Selection
12	RW	0x1	gpio1b6_pe GPIO1B6 PE control Active High Weak PU/PD Resistor Enable 1'b0: PU/PD Disable 1'b1: PU/PD Enable

Bit	Attr	Reset Value	Description
11	RW	0x1	gpio1b5_ps GPIO1B5 PS control Weak PU/PD Resistor Selection 1'b0: PD Selection 1'b1: PU Selection
10	RW	0x1	gpio1b5_pe GPIO1B5 PE control Active High Weak PU/PD Resistor Enable 1'b0: PU/PD Disable 1'b1: PU/PD Enable
9	RW	0x1	gpio1b4_ps GPIO1B4 PS control Weak PU/PD Resistor Selection 1'b0: PD Selection 1'b1: PU Selection
8	RW	0x1	gpio1b4_pe GPIO1B4 PE control Active High Weak PU/PD Resistor Enable 1'b0: PU/PD Disable 1'b1: PU/PD Enable
7	RW	0x0	gpio1b3_ps GPIO1B3 PS control Weak PU/PD Resistor Selection 1'b0: PD Selection 1'b1: PU Selection
6	RW	0x1	gpio1b3_pe GPIO1B3 PE control Active High Weak PU/PD Resistor Enable 1'b0: PU/PD Disable 1'b1: PU/PD Enable
5	RW	0x0	gpio1b2_ps GPIO1B2 PS control Weak PU/PD Resistor Selection 1'b0: PD Selection 1'b1: PU Selection
4	RW	0x1	gpio1b2_pe GPIO1B2 PE control Active High Weak PU/PD Resistor Enable 1'b0: PU/PD Disable 1'b1: PU/PD Enable
3	RW	0x0	gpio1b1_ps GPIO1B1 PS control Weak PU/PD Resistor Selection 1'b0: PD Selection 1'b1: PU Selection
2	RW	0x1	gpio1b1_pe GPIO1B1 PE control Active High Weak PU/PD Resistor Enable 1'b0: PU/PD Disable 1'b1: PU/PD Enable
1	RW	0x1	gpio1b0_ps GPIO1B0 PS control Weak PU/PD Resistor Selection 1'b0: PD Selection 1'b1: PU Selection



Bit	Attr	Reset Value	Description
0	RW	0x1	gpio1b0_pe GPIO1B0 PE control Active High Weak PU/PD Resistor Enable 1'b0: PU/PD Disable 1'b1: PU/PD Enable

**VCCIO1 4 IOC GPIO1C P**

Address: Operational Base + offset (0x0118)

Bit	Attr	Reset Value	Description
31:16	WO	0x0000	write_enable Write enable for lower 16bits, each bit is individual 1'b0: Write access disable 1'b1: Write access enable
15	RW	0x0	gpio1c7_ps GPIO1C7 PS control Weak PU/PD Resistor Selection 1'b0: PD Selection 1'b1: PU Selection
14	RW	0x1	gpio1c7_pe GPIO1C7 PE control Active High Weak PU/PD Resistor Enable 1'b0: PU/PD Disable 1'b1: PU/PD Enable
13	RW	0x0	gpio1c6_ps GPIO1C6 PS control Weak PU/PD Resistor Selection 1'b0: PD Selection 1'b1: PU Selection
12	RW	0x1	gpio1c6_pe GPIO1C6 PE control Active High Weak PU/PD Resistor Enable 1'b0: PU/PD Disable 1'b1: PU/PD Enable
11	RW	0x0	gpio1c5_ps GPIO1C5 PS control Weak PU/PD Resistor Selection 1'b0: PD Selection 1'b1: PU Selection
10	RW	0x1	gpio1c5_pe GPIO1C5 PE control Active High Weak PU/PD Resistor Enable 1'b0: PU/PD Disable 1'b1: PU/PD Enable
9	RW	0x0	gpio1c4_ps GPIO1C4 PS control Weak PU/PD Resistor Selection 1'b0: PD Selection 1'b1: PU Selection
8	RW	0x1	gpio1c4_pe GPIO1C4 PE control Active High Weak PU/PD Resistor Enable 1'b0: PU/PD Disable 1'b1: PU/PD Enable

Bit	Attr	Reset Value	Description
7	RW	0x0	gpio1c3_ps GPIO1C3 PS control Weak PU/PD Resistor Selection 1'b0: PD Selection 1'b1: PU Selection
6	RW	0x1	gpio1c3_pe GPIO1C3 PE control Active High Weak PU/PD Resistor Enable 1'b0: PU/PD Disable 1'b1: PU/PD Enable
5	RW	0x0	gpio1c2_ps GPIO1C2 PS control Weak PU/PD Resistor Selection 1'b0: PD Selection 1'b1: PU Selection
4	RW	0x1	gpio1c2_pe GPIO1C2 PE control Active High Weak PU/PD Resistor Enable 1'b0: PU/PD Disable 1'b1: PU/PD Enable
3	RW	0x0	gpio1c1_ps GPIO1C1 PS control Weak PU/PD Resistor Selection 1'b0: PD Selection 1'b1: PU Selection
2	RW	0x0	gpio1c1_pe GPIO1C1 PE control Active High Weak PU/PD Resistor Enable 1'b0: PU/PD Disable 1'b1: PU/PD Enable
1	RW	0x0	gpio1c0_ps GPIO1C0 PS control Weak PU/PD Resistor Selection 1'b0: PD Selection 1'b1: PU Selection
0	RW	0x0	gpio1c0_pe GPIO1C0 PE control Active High Weak PU/PD Resistor Enable 1'b0: PU/PD Disable 1'b1: PU/PD Enable

**VCCIO1\_4\_IOC\_GPIO1D\_P**

Address: Operational Base + offset (0x011C)

Bit	Attr	Reset Value	Description
31:16	WO	0x0000	write_enable Write enable for lower 16bits, each bit is individual 1'b0: Write access disable 1'b1: Write access enable
15	RW	0x1	gpio1d7_ps GPIO1D7 PS control Weak PU/PD Resistor Selection 1'b0: PD Selection 1'b1: PU Selection

Bit	Attr	Reset Value	Description
14	RW	0x1	gpio1d7_pe GPIO1D7 PE control Active High Weak PU/PD Resistor Enable 1'b0: PU/PD Disable 1'b1: PU/PD Enable
13	RW	0x1	gpio1d6_ps GPIO1D6 PS control Weak PU/PD Resistor Selection 1'b0: PD Selection 1'b1: PU Selection
12	RW	0x1	gpio1d6_pe GPIO1D6 PE control Active High Weak PU/PD Resistor Enable 1'b0: PU/PD Disable 1'b1: PU/PD Enable
11	RW	0x0	gpio1d5_ps GPIO1D5 PS control Weak PU/PD Resistor Selection 1'b0: PD Selection 1'b1: PU Selection
10	RW	0x1	gpio1d5_pe GPIO1D5 PE control Active High Weak PU/PD Resistor Enable 1'b0: PU/PD Disable 1'b1: PU/PD Enable
9	RW	0x0	gpio1d4_ps GPIO1D4 PS control Weak PU/PD Resistor Selection 1'b0: PD Selection 1'b1: PU Selection
8	RW	0x1	gpio1d4_pe GPIO1D4 PE control Active High Weak PU/PD Resistor Enable 1'b0: PU/PD Disable 1'b1: PU/PD Enable
7	RW	0x0	gpio1d3_ps GPIO1D3 PS control Weak PU/PD Resistor Selection 1'b0: PD Selection 1'b1: PU Selection
6	RW	0x1	gpio1d3_pe GPIO1D3 PE control Active High Weak PU/PD Resistor Enable 1'b0: PU/PD Disable 1'b1: PU/PD Enable
5	RW	0x0	gpio1d2_ps GPIO1D2 PS control Weak PU/PD Resistor Selection 1'b0: PD Selection 1'b1: PU Selection
4	RW	0x1	gpio1d2_pe GPIO1D2 PE control Active High Weak PU/PD Resistor Enable 1'b0: PU/PD Disable 1'b1: PU/PD Enable

Bit	Attr	Reset Value	Description
3	RW	0x0	gpio1d1_ps GPIO1D1 PS control Weak PU/PD Resistor Selection 1'b0: PD Selection 1'b1: PU Selection
2	RW	0x1	gpio1d1_pe GPIO1D1 PE control Active High Weak PU/PD Resistor Enable 1'b0: PU/PD Disable 1'b1: PU/PD Enable
1	RW	0x0	gpio1d0_ps GPIO1D0 PS control Weak PU/PD Resistor Selection 1'b0: PD Selection 1'b1: PU Selection
0	RW	0x1	gpio1d0_pe GPIO1D0 PE control Active High Weak PU/PD Resistor Enable 1'b0: PU/PD Disable 1'b1: PU/PD Enable

**VCCIO1\_4\_IOC\_GPIO1A\_IE**

Address: Operational Base + offset (0x0180)

Bit	Attr	Reset Value	Description
31:16	WO	0x0000	write_enable Write enable for lower 16bits, each bit is individual 1'b0: Write access disable 1'b1: Write access enable
15:8	RO	0x00	reserved
7	RW	0x1	gpio1a7_ie GPIO1A7 IE control Active High input buffer enable
6	RW	0x1	gpio1a6_ie GPIO1A6 IE control Active High input buffer enable
5	RW	0x1	gpio1a5_ie GPIO1A5 IE control Active High input buffer enable
4	RW	0x1	gpio1a4_ie GPIO1A4 IE control Active High input buffer enable
3	RW	0x1	gpio1a3_ie GPIO1A3 IE control Active High input buffer enable
2	RW	0x1	gpio1a2_ie GPIO1A2 IE control Active High input buffer enable
1	RW	0x1	gpio1a1_ie GPIO1A1 IE control Active High input buffer enable
0	RW	0x1	gpio1a0_ie GPIO1A0 IE control Active High input buffer enable

**VCCIO1\_4\_IOC\_GPIO1B\_IE**

Address: Operational Base + offset (0x0184)

Bit	Attr	Reset Value	Description
31:16	WO	0x0000	write_enable Write enable for lower 16bits, each bit is individual 1'b0: Write access disable 1'b1: Write access enable
15:8	RO	0x00	reserved
7	RW	0x1	gpio1b7_ie GPIO1B7 IE control Active High input buffer enable
6	RW	0x1	gpio1b6_ie GPIO1B6 IE control Active High input buffer enable
5	RW	0x1	gpio1b5_ie GPIO1B5 IE control Active High input buffer enable
4	RW	0x1	gpio1b4_ie GPIO1B4 IE control Active High input buffer enable
3	RW	0x1	gpio1b3_ie GPIO1B3 IE control Active High input buffer enable
2	RW	0x1	gpio1b2_ie GPIO1B2 IE control Active High input buffer enable
1	RW	0x1	gpio1b1_ie GPIO1B1 IE control Active High input buffer enable
0	RW	0x1	gpio1b0_ie GPIO1B0 IE control Active High input buffer enable

**VCCIO1 4 IOC GPIO1C IE**

Address: Operational Base + offset (0x0188)

Bit	Attr	Reset Value	Description
31:16	WO	0x0000	write_enable Write enable for lower 16bits, each bit is individual 1'b0: Write access disable 1'b1: Write access enable
15:8	RO	0x00	reserved
7	RW	0x1	gpio1c7_ie GPIO1C7 IE control Active High input buffer enable
6	RW	0x1	gpio1c6_ie GPIO1C6 IE control Active High input buffer enable
5	RW	0x1	gpio1c5_ie GPIO1C5 IE control Active High input buffer enable
4	RW	0x1	gpio1c4_ie GPIO1C4 IE control Active High input buffer enable
3	RW	0x1	gpio1c3_ie GPIO1C3 IE control Active High input buffer enable

Bit	Attr	Reset Value	Description
2	RW	0x1	gpio1c2_ie GPIO1C2 IE control Active High input buffer enable
1	RW	0x1	gpio1c1_ie GPIO1C1 IE control Active High input buffer enable
0	RW	0x1	gpio1c0_ie GPIO1C0 IE control Active High input buffer enable

**VCCIO1 4 IOC GPIO1D IE**

Address: Operational Base + offset (0x018C)

Bit	Attr	Reset Value	Description
31:16	WO	0x0000	write_enable Write enable for lower 16bits, each bit is individual 1'b0: Write access disable 1'b1: Write access enable
15:8	RO	0x00	reserved
7	RW	0x1	gpio1d7_ie GPIO1D7 IE control Active High input buffer enable
6	RW	0x1	gpio1d6_ie GPIO1D6 IE control Active High input buffer enable
5	RW	0x1	gpio1d5_ie GPIO1D5 IE control Active High input buffer enable
4	RW	0x1	gpio1d4_ie GPIO1D4 IE control Active High input buffer enable
3	RW	0x1	gpio1d3_ie GPIO1D3 IE control Active High input buffer enable
2	RW	0x1	gpio1d2_ie GPIO1D2 IE control Active High input buffer enable
1	RW	0x1	gpio1d1_ie GPIO1D1 IE control Active High input buffer enable
0	RW	0x1	gpio1d0_ie GPIO1D0 IE control Active High input buffer enable

**VCCIO1 4 IOC GPIO1A SMT**

Address: Operational Base + offset (0x0210)

Bit	Attr	Reset Value	Description
31:16	WO	0x0000	write_enable Write enable for lower 16bits, each bit is individual 1'b0: Write access disable 1'b1: Write access enable
15:8	RO	0x00	reserved

Bit	Attr	Reset Value	Description
7	RW	0x0	gpio1a7_smt GPIO1A7 SMT control CMOS/Schmitt Trigger Selection 1'b0: CMOS Input 1'b1: Schmitt Trigger input
6	RW	0x0	gpio1a6_smt GPIO1A6 SMT control CMOS/Schmitt Trigger Selection 1'b0: CMOS Input 1'b1: Schmitt Trigger input
5	RW	0x0	gpio1a5_smt GPIO1A5 SMT control CMOS/Schmitt Trigger Selection 1'b0: CMOS Input 1'b1: Schmitt Trigger input
4	RW	0x0	gpio1a4_smt GPIO1A4 SMT control CMOS/Schmitt Trigger Selection 1'b0: CMOS Input 1'b1: Schmitt Trigger input
3	RW	0x0	gpio1a3_smt GPIO1A3 SMT control CMOS/Schmitt Trigger Selection 1'b0: CMOS Input 1'b1: Schmitt Trigger input
2	RW	0x0	gpio1a2_smt GPIO1A2 SMT control CMOS/Schmitt Trigger Selection 1'b0: CMOS Input 1'b1: Schmitt Trigger input
1	RW	0x0	gpio1a1_smt GPIO1A1 SMT control CMOS/Schmitt Trigger Selection 1'b0: CMOS Input 1'b1: Schmitt Trigger input
0	RW	0x0	gpio1a0_smt GPIO1A0 SMT control CMOS/Schmitt Trigger Selection 1'b0: CMOS Input 1'b1: Schmitt Trigger input

**VCCIO1 4 IOC GPIO1B SMT**

Address: Operational Base + offset (0x0214)

Bit	Attr	Reset Value	Description
31:16	WO	0x0000	write_enable Write enable for lower 16bits, each bit is individual 1'b0: Write access disable 1'b1: Write access enable
15:8	RO	0x00	reserved
7	RW	0x0	gpio1b7_smt GPIO1B7 SMT control CMOS/Schmitt Trigger Selection 1'b0: CMOS Input 1'b1: Schmitt Trigger input

Bit	Attr	Reset Value	Description
6	RW	0x0	gpio1b6_smt GPIO1B6 SMT control CMOS/Schmitt Trigger Selection 1'b0: CMOS Input 1'b1: Schmitt Trigger input
5	RW	0x0	gpio1b5_smt GPIO1B5 SMT control CMOS/Schmitt Trigger Selection 1'b0: CMOS Input 1'b1: Schmitt Trigger input
4	RW	0x0	gpio1b4_smt GPIO1B4 SMT control CMOS/Schmitt Trigger Selection 1'b0: CMOS Input 1'b1: Schmitt Trigger input
3	RW	0x0	gpio1b3_smt GPIO1B3 SMT control CMOS/Schmitt Trigger Selection 1'b0: CMOS Input 1'b1: Schmitt Trigger input
2	RW	0x0	gpio1b2_smt GPIO1B2 SMT control CMOS/Schmitt Trigger Selection 1'b0: CMOS Input 1'b1: Schmitt Trigger input
1	RW	0x0	gpio1b1_smt GPIO1B1 SMT control CMOS/Schmitt Trigger Selection 1'b0: CMOS Input 1'b1: Schmitt Trigger input
0	RW	0x0	gpio1b0_smt GPIO1B0 SMT control CMOS/Schmitt Trigger Selection 1'b0: CMOS Input 1'b1: Schmitt Trigger input

**VCCIO1 4 IOC GPIO1C SMT**

Address: Operational Base + offset (0x0218)

Bit	Attr	Reset Value	Description
31:16	WO	0x0000	write_enable Write enable for lower 16bits, each bit is individual 1'b0: Write access disable 1'b1: Write access enable
15:8	RO	0x00	reserved
7	RW	0x0	gpio1c7_smt GPIO1C7 SMT control CMOS/Schmitt Trigger Selection 1'b0: CMOS Input 1'b1: Schmitt Trigger input
6	RW	0x0	gpio1c6_smt GPIO1C6 SMT control CMOS/Schmitt Trigger Selection 1'b0: CMOS Input 1'b1: Schmitt Trigger input



Bit	Attr	Reset Value	Description
5	RW	0x0	gpio1c5_smt GPIO1C5 SMT control CMOS/Schmitt Trigger Selection 1'b0: CMOS Input 1'b1: Schmitt Trigger input
4	RW	0x0	gpio1c4_smt GPIO1C4 SMT control CMOS/Schmitt Trigger Selection 1'b0: CMOS Input 1'b1: Schmitt Trigger input
3	RW	0x0	gpio1c3_smt GPIO1C3 SMT control CMOS/Schmitt Trigger Selection 1'b0: CMOS Input 1'b1: Schmitt Trigger input
2	RW	0x0	gpio1c2_smt GPIO1C2 SMT control CMOS/Schmitt Trigger Selection 1'b0: CMOS Input 1'b1: Schmitt Trigger input
1	RW	0x0	gpio1c1_smt GPIO1C1 SMT control CMOS/Schmitt Trigger Selection 1'b0: CMOS Input 1'b1: Schmitt Trigger input
0	RW	0x0	gpio1c0_smt GPIO1C0 SMT control CMOS/Schmitt Trigger Selection 1'b0: CMOS Input 1'b1: Schmitt Trigger input

**VCCIO1 4 IOC GPIO1D SMT**

Address: Operational Base + offset (0x021C)

Bit	Attr	Reset Value	Description
31:16	WO	0x0000	write_enable Write enable for lower 16bits, each bit is individual 1'b0: Write access disable 1'b1: Write access enable
15:8	RO	0x00	reserved
7	RW	0x0	gpio1d7_smt GPIO1D7 SMT control CMOS/Schmitt Trigger Selection 1'b0: CMOS Input 1'b1: Schmitt Trigger input
6	RW	0x0	gpio1d6_smt GPIO1D6 SMT control CMOS/Schmitt Trigger Selection 1'b0: CMOS Input 1'b1: Schmitt Trigger input
5	RW	0x0	gpio1d5_smt GPIO1D5 SMT control CMOS/Schmitt Trigger Selection 1'b0: CMOS Input 1'b1: Schmitt Trigger input

Bit	Attr	Reset Value	Description
4	RW	0x0	gpio1d4_smt GPIO1D4 SMT control CMOS/Schmitt Trigger Selection 1'b0: CMOS Input 1'b1: Schmitt Trigger input
3	RW	0x0	gpio1d3_smt GPIO1D3 SMT control CMOS/Schmitt Trigger Selection 1'b0: CMOS Input 1'b1: Schmitt Trigger input
2	RW	0x0	gpio1d2_smt GPIO1D2 SMT control CMOS/Schmitt Trigger Selection 1'b0: CMOS Input 1'b1: Schmitt Trigger input
1	RW	0x0	gpio1d1_smt GPIO1D1 SMT control CMOS/Schmitt Trigger Selection 1'b0: CMOS Input 1'b1: Schmitt Trigger input
0	RW	0x0	gpio1d0_smt GPIO1D0 SMT control CMOS/Schmitt Trigger Selection 1'b0: CMOS Input 1'b1: Schmitt Trigger input

#### VCCIO1 4 IOC GPIO PDIS

Address: Operational Base + offset (0x0280)

Bit	Attr	Reset Value	Description
31:16	WO	0x0000	write_enable Write enable for lower 16bits, each bit is individual 1'b0: Write access disable 1'b1: Write access enable
15:2	RO	0x0000	reserved
1	RW	0x0	vccio4_pull_dis when 1'b1, disable VCCIO4 GPIO pull up/down when output enable
0	RW	0x0	vccio1_pull_dis when 1'b1, disable VCCIO1 GPIO pull up/down when output enable

## 6.29 VCCIO3\_5\_IOC Register Description

### 6.29.1 Registers Summary

Name	Offset	Size	Reset Value	Description
<u>VCCIO3_5_IOC_GPIO2A_DS_H</u>	0x0044	W	0x00001100	GPIO2A Driver Strength Control High bits
<u>VCCIO3_5_IOC_GPIO2B_DS_L</u>	0x0048	W	0x00001111	GPIO2B Driver Strength Control Low bits
<u>VCCIO3_5_IOC_GPIO2B_DS_H</u>	0x004C	W	0x00001111	GPIO2B Driver Strength Control High bits

<b>Name</b>	<b>Offset</b>	<b>Size</b>	<b>Reset Value</b>	<b>Description</b>
VCCIO3_5_IOC_GPIO2C_DS_L	0x0050	W	0x00001111	GPIO2C Driver Strength Control Low bits
VCCIO3_5_IOC_GPIO2C_DS_H	0x0054	W	0x00000011	GPIO2C Driver Strength Control High bits
VCCIO3_5_IOC_GPIO3A_DS_L	0x0060	W	0x00006666	GPIO3A Driver Strength Control Low bits
VCCIO3_5_IOC_GPIO3A_DS_H	0x0064	W	0x00006666	GPIO3A Driver Strength Control High bits
VCCIO3_5_IOC_GPIO3B_DS_L	0x0068	W	0x00006666	GPIO3B Driver Strength Control Low bits
VCCIO3_5_IOC_GPIO3B_DS_H	0x006C	W	0x00006666	GPIO3B Driver Strength Control High bits
VCCIO3_5_IOC_GPIO3C_DS_L	0x0070	W	0x00006666	GPIO3C Driver Strength Control Low bits
VCCIO3_5_IOC_GPIO3C_DS_H	0x0074	W	0x00006666	GPIO3C Driver Strength Control High bits
VCCIO3_5_IOC_GPIO3D_DS_L	0x0078	W	0x00006666	GPIO3D Driver Strength Control Low bits
VCCIO3_5_IOC_GPIO3D_DS_H	0x007C	W	0x00000066	GPIO3D Driver Strength Control High bits
VCCIO3_5_IOC_GPIO4C_DS_L	0x0090	W	0x00001100	GPIO4C Driver Strength Control Low bits
VCCIO3_5_IOC_GPIO4C_DS_H	0x0094	W	0x00000111	GPIO4C Driver Strength Control High bits
VCCIO3_5_IOC_GPIO2A_P	0x0120	W	0x0000F000	GPIO2A Pull-up/down Control
VCCIO3_5_IOC_GPIO2B_P	0x0124	W	0x00005F7F	GPIO2B Pull-up/down Control
VCCIO3_5_IOC_GPIO2C_P	0x0128	W	0x00000555	GPIO2C Pull-up/down Control
VCCIO3_5_IOC_GPIO3A_P	0x0130	W	0x0000D5FF	GPIO3A Pull-up/down Control
VCCIO3_5_IOC_GPIO3B_P	0x0134	W	0x00005FD7	GPIO3B Pull-up/down Control
VCCIO3_5_IOC_GPIO3C_P	0x0138	W	0x0000FF55	GPIO3C Pull-up/down Control
VCCIO3_5_IOC_GPIO3D_P	0x013C	W	0x00000557	GPIO3D Pull-up/down Control
VCCIO3_5_IOC_GPIO4C_P	0x0148	W	0x00001550	GPIO4C Pull-up/down Control
VCCIO3_5_IOC_GPIO2A_IE	0x0190	W	0x000000C0	GPIO2A Input Enable Control
VCCIO3_5_IOC_GPIO2B_IE	0x0194	W	0x000000FF	GPIO2B Input Enable Control
VCCIO3_5_IOC_GPIO2C_IE	0x0198	W	0x0000003F	GPIO2C Input Enable Control
VCCIO3_5_IOC_GPIO3A_IE	0x01A0	W	0x000000FF	GPIO3A Input Enable Control
VCCIO3_5_IOC_GPIO3B_IE	0x01A4	W	0x000000FF	GPIO3B Input Enable Control
VCCIO3_5_IOC_GPIO3C_IE	0x01A8	W	0x000000FF	GPIO3C Input Enable Control

Name	Offset	Size	Reset Value	Description
<u>VCCIO3_5_IOC_GPIO3D_IE</u>	0x01AC	W	0x0000003F	GPIO3D Input Enable Control
<u>VCCIO3_5_IOC_GPIO4C_IE</u>	0x01B8	W	0x0000007C	GPIO4C Input Enable Control
<u>VCCIO3_5_IOC_GPIO2A_SMT</u>	0x0220	W	0x00000000	GPIO2A Schmitt Trigger Control
<u>VCCIO3_5_IOC_GPIO2B_SMT</u>	0x0224	W	0x00000000	GPIO2B Schmitt Trigger Control
<u>VCCIO3_5_IOC_GPIO2C_SMT</u>	0x0228	W	0x00000000	GPIO2C Schmitt Trigger Control
<u>VCCIO3_5_IOC_GPIO3A_SMT</u>	0x0230	W	0x00000000	GPIO3A Schmitt Trigger Control
<u>VCCIO3_5_IOC_GPIO3B_SMT</u>	0x0234	W	0x00000000	GPIO3B Schmitt Trigger Control
<u>VCCIO3_5_IOC_GPIO3C_SMT</u>	0x0238	W	0x00000000	GPIO3C Schmitt Trigger Control
<u>VCCIO3_5_IOC_GPIO3D_SMT</u>	0x023C	W	0x00000000	GPIO3D Schmitt Trigger Control
<u>VCCIO3_5_IOC_GPIO4C_SMT</u>	0x0248	W	0x00000000	GPIO4C Schmitt Trigger Control
<u>VCCIO3_5_IOC_GPIO_PD_IS</u>	0x0288	W	0x00000000	Auto Pull-up/down disable Control

Notes: **B**- Byte (8 bits) access, **HW**- Half WORD (16 bits) access, **W**-WORD (32 bits) access, **DW**- Double WORD (64 bits) access

## 6.29.2 Detail Registers Description

### VCCIO3\_5\_IOC\_GPIO2A\_DS\_H

Address: Operational Base + offset (0x0044)

Bit	Attr	Reset Value	Description
31:16	WO	0x0000	write_enable Write enable for lower 16bits, each bit is individual 1'b0: Write access disable 1'b1: Write access enable
15:14	RO	0x0	reserved
13:12	RW	0x1	gpio2a7_ds GPIO2A7 DS control Driver Strength Selection 2'b00: 2.5mA 100ohm 2'b10: 5mA 50ohm 2'b01: 7.5mA 33ohm 2'b11: 10mA 25ohm
11:10	RO	0x0	reserved
9:8	RW	0x1	gpio2a6_ds GPIO2A6 DS control Driver Strength Selection 2'b00: 2.5mA 100ohm 2'b10: 5mA 50ohm 2'b01: 7.5mA 33ohm 2'b11: 10mA 25ohm
7:0	RO	0x00	reserved

### VCCIO3\_5\_IOC\_GPIO2B\_DS\_L

Address: Operational Base + offset (0x0048)

Bit	Attr	Reset Value	Description
31:16	WO	0x0000	write_enable Write enable for lower 16bits, each bit is individual 1'b0: Write access disable 1'b1: Write access enable
15:14	RO	0x0	reserved
13:12	RW	0x1	gpio2b3_ds GPIO2B3 DS control Driver Strength Selection 2'b00: 2.5mA 100ohm 2'b10: 5mA 50ohm 2'b01: 7.5mA 33ohm 2'b11: 10mA 25ohm
11:10	RO	0x0	reserved
9:8	RW	0x1	gpio2b2_ds GPIO2B2 DS control Driver Strength Selection 2'b00: 2.5mA 100ohm 2'b10: 5mA 50ohm 2'b01: 7.5mA 33ohm 2'b11: 10mA 25ohm
7:6	RO	0x0	reserved
5:4	RW	0x1	gpio2b1_ds GPIO2B1 DS control Driver Strength Selection 2'b00: 2.5mA 100ohm 2'b10: 5mA 50ohm 2'b01: 7.5mA 33ohm 2'b11: 10mA 25ohm
3:2	RO	0x0	reserved
1:0	RW	0x1	gpio2b0_ds GPIO2B0 DS control Driver Strength Selection 2'b00: 2.5mA 100ohm 2'b10: 5mA 50ohm 2'b01: 7.5mA 33ohm 2'b11: 10mA 25ohm

**VCCIO3 5 IOC GPIO2B DS H**

Address: Operational Base + offset (0x004C)

Bit	Attr	Reset Value	Description
31:16	WO	0x0000	write_enable Write enable for lower 16bits, each bit is individual 1'b0: Write access disable 1'b1: Write access enable
15:14	RO	0x0	reserved
13:12	RW	0x1	gpio2b7_ds GPIO2B7 DS control Driver Strength Selection 2'b00: 2.5mA 100ohm 2'b10: 5mA 50ohm 2'b01: 7.5mA 33ohm 2'b11: 10mA 25ohm
11:10	RO	0x0	reserved

Bit	Attr	Reset Value	Description
9:8	RW	0x1	gpio2b6_ds GPIO2B6 DS control Driver Strength Selection 2'b00: 2.5mA 100ohm 2'b10: 5mA 50ohm 2'b01: 7.5mA 33ohm 2'b11: 10mA 25ohm
7:6	RO	0x0	reserved
5:4	RW	0x1	gpio2b5_ds GPIO2B5 DS control Driver Strength Selection 2'b00: 2.5mA 100ohm 2'b10: 5mA 50ohm 2'b01: 7.5mA 33ohm 2'b11: 10mA 25ohm
3:2	RO	0x0	reserved
1:0	RW	0x1	gpio2b4_ds GPIO2B4 DS control Driver Strength Selection 2'b00: 2.5mA 100ohm 2'b10: 5mA 50ohm 2'b01: 7.5mA 33ohm 2'b11: 10mA 25ohm

**VCCIO3 5 IOC GPIO2C DS L**

Address: Operational Base + offset (0x0050)

Bit	Attr	Reset Value	Description
31:16	WO	0x0000	write_enable Write enable for lower 16bits, each bit is individual 1'b0: Write access disable 1'b1: Write access enable
15:14	RO	0x0	reserved
13:12	RW	0x1	gpio2c3_ds GPIO2C3 DS control Driver Strength Selection 2'b00: 2.5mA 100ohm 2'b10: 5mA 50ohm 2'b01: 7.5mA 33ohm 2'b11: 10mA 25ohm
11:10	RO	0x0	reserved
9:8	RW	0x1	gpio2c2_ds GPIO2C2 DS control Driver Strength Selection 2'b00: 2.5mA 100ohm 2'b10: 5mA 50ohm 2'b01: 7.5mA 33ohm 2'b11: 10mA 25ohm
7:6	RO	0x0	reserved
5:4	RW	0x1	gpio2c1_ds GPIO2C1 DS control Driver Strength Selection 2'b00: 2.5mA 100ohm 2'b10: 5mA 50ohm 2'b01: 7.5mA 33ohm 2'b11: 10mA 25ohm

**RK3588 TRM-Part1**

Bit	Attr	Reset Value	Description
3:2	RO	0x0	reserved
1:0	RW	0x1	gpio2c0_ds GPIO2C0 DS control Driver Strength Selection 2'b00: 2.5mA 100ohm 2'b10: 5mA 50ohm 2'b01: 7.5mA 33ohm 2'b11: 10mA 25ohm

**VCCIO3 5 IOC GPIO2C DS H**

Address: Operational Base + offset (0x0054)

Bit	Attr	Reset Value	Description
31:16	WO	0x0000	write_enable Write enable for lower 16bits, each bit is individual 1'b0: Write access disable 1'b1: Write access enable
15:6	RO	0x000	reserved
5:4	RW	0x1	gpio2c5_ds GPIO2C5 DS control Driver Strength Selection 2'b00: 2.5mA 100ohm 2'b10: 5mA 50ohm 2'b01: 7.5mA 33ohm 2'b11: 10mA 25ohm
3:2	RO	0x0	reserved
1:0	RW	0x1	gpio2c4_ds GPIO2C4 DS control Driver Strength Selection 2'b00: 2.5mA 100ohm 2'b10: 5mA 50ohm 2'b01: 7.5mA 33ohm 2'b11: 10mA 25ohm

**VCCIO3 5 IOC GPIO3A DS L**

Address: Operational Base + offset (0x0060)

Bit	Attr	Reset Value	Description
31:16	WO	0x0000	write_enable Write enable for lower 16bits, each bit is individual 1'b0: Write access disable 1'b1: Write access enable
15	RO	0x0	reserved
14:12	RW	0x6	gpio3a3_ds GPIO3A3 DS control Driver Strength Selection 3'b000: 100ohm 3'b100: 66ohm 3'b010: 50ohm 3'b110: 40ohm 3'b001: 33ohm 3'b101: 25ohm
11	RO	0x0	reserved

Bit	Attr	Reset Value	Description
10:8	RW	0x6	gpio3a2_ds GPIO3A2 DS control Driver Strength Selection 3'b000: 100ohm 3'b100: 66ohm 3'b010: 50ohm 3'b110: 40ohm 3'b001: 33ohm 3'b101: 25ohm
7	RO	0x0	reserved
6:4	RW	0x6	gpio3a1_ds GPIO3A1 DS control Driver Strength Selection 3'b000: 100ohm 3'b100: 66ohm 3'b010: 50ohm 3'b110: 40ohm 3'b001: 33ohm 3'b101: 25ohm
3	RO	0x0	reserved
2:0	RW	0x6	gpio3a0_ds GPIO3A0 DS control Driver Strength Selection 3'b000: 100ohm 3'b100: 66ohm 3'b010: 50ohm 3'b110: 40ohm 3'b001: 33ohm 3'b101: 25ohm

**VCCIO3 5 IOC GPIO3A DS H**

Address: Operational Base + offset (0x0064)

Bit	Attr	Reset Value	Description
31:16	WO	0x0000	write_enable Write enable for lower 16bits, each bit is individual 1'b0: Write access disable 1'b1: Write access enable
15	RO	0x0	reserved
14:12	RW	0x6	gpio3a7_ds GPIO3A7 DS control Driver Strength Selection 3'b000: 100ohm 3'b100: 66ohm 3'b010: 50ohm 3'b110: 40ohm 3'b001: 33ohm 3'b101: 25ohm
11	RO	0x0	reserved



Bit	Attr	Reset Value	Description
10:8	RW	0x6	gpio3a6_ds GPIO3A6 DS control Driver Strength Selection 3'b000: 100ohm 3'b100: 66ohm 3'b010: 50ohm 3'b110: 40ohm 3'b001: 33ohm 3'b101: 25ohm
7	RO	0x0	reserved
6:4	RW	0x6	gpio3a5_ds GPIO3A5 DS control Driver Strength Selection 3'b000: 100ohm 3'b100: 66ohm 3'b010: 50ohm 3'b110: 40ohm 3'b001: 33ohm 3'b101: 25ohm
3	RO	0x0	reserved
2:0	RW	0x6	gpio3a4_ds GPIO3A4 DS control Driver Strength Selection 3'b000: 100ohm 3'b100: 66ohm 3'b010: 50ohm 3'b110: 40ohm 3'b001: 33ohm 3'b101: 25ohm

**VCCIO3 5 IOC GPIO3B DS L**

Address: Operational Base + offset (0x0068)

Bit	Attr	Reset Value	Description
31:16	WO	0x0000	write_enable Write enable for lower 16bits, each bit is individual 1'b0: Write access disable 1'b1: Write access enable
15	RO	0x0	reserved
14:12	RW	0x6	gpio3b3_ds GPIO3B3 DS control Driver Strength Selection 3'b000: 100ohm 3'b100: 66ohm 3'b010: 50ohm 3'b110: 40ohm 3'b001: 33ohm 3'b101: 25ohm
11	RO	0x0	reserved

Bit	Attr	Reset Value	Description
10:8	RW	0x6	gpio3b2_ds GPIO3B2 DS control Driver Strength Selection 3'b000: 100ohm 3'b100: 66ohm 3'b010: 50ohm 3'b110: 40ohm 3'b001: 33ohm 3'b101: 25ohm
7	RO	0x0	reserved
6:4	RW	0x6	gpio3b1_ds GPIO3B1 DS control Driver Strength Selection 3'b000: 100ohm 3'b100: 66ohm 3'b010: 50ohm 3'b110: 40ohm 3'b001: 33ohm 3'b101: 25ohm
3	RO	0x0	reserved
2:0	RW	0x6	gpio3b0_ds GPIO3B0 DS control Driver Strength Selection 3'b000: 100ohm 3'b100: 66ohm 3'b010: 50ohm 3'b110: 40ohm 3'b001: 33ohm 3'b101: 25ohm

**VCCIO3 5 IOC GPIO3B DS H**

Address: Operational Base + offset (0x006C)

Bit	Attr	Reset Value	Description
31:16	WO	0x0000	write_enable Write enable for lower 16bits, each bit is individual 1'b0: Write access disable 1'b1: Write access enable
15	RO	0x0	reserved
14:12	RW	0x6	gpio3b7_ds GPIO3B7 DS control Driver Strength Selection 3'b000: 100ohm 3'b100: 66ohm 3'b010: 50ohm 3'b110: 40ohm 3'b001: 33ohm 3'b101: 25ohm
11	RO	0x0	reserved

Bit	Attr	Reset Value	Description
10:8	RW	0x6	gpio3b6_ds GPIO3B6 DS control Driver Strength Selection 3'b000: 100ohm 3'b100: 66ohm 3'b010: 50ohm 3'b110: 40ohm 3'b001: 33ohm 3'b101: 25ohm
7	RO	0x0	reserved
6:4	RW	0x6	gpio3b5_ds GPIO3B5 DS control Driver Strength Selection 3'b000: 100ohm 3'b100: 66ohm 3'b010: 50ohm 3'b110: 40ohm 3'b001: 33ohm 3'b101: 25ohm
3	RO	0x0	reserved
2:0	RW	0x6	gpio3b4_ds GPIO3B4 DS control Driver Strength Selection 3'b000: 100ohm 3'b100: 66ohm 3'b010: 50ohm 3'b110: 40ohm 3'b001: 33ohm 3'b101: 25ohm

**VCCIO3 5 IOC GPIO3C DS L**

Address: Operational Base + offset (0x0070)

Bit	Attr	Reset Value	Description
31:16	WO	0x0000	write_enable Write enable for lower 16bits, each bit is individual 1'b0: Write access disable 1'b1: Write access enable
15	RO	0x0	reserved
14:12	RW	0x6	gpio3c3_ds GPIO3C3 DS control Driver Strength Selection 3'b000: 100ohm 3'b100: 66ohm 3'b010: 50ohm 3'b110: 40ohm 3'b001: 33ohm 3'b101: 25ohm
11	RO	0x0	reserved

Bit	Attr	Reset Value	Description
10:8	RW	0x6	gpio3c2_ds GPIO3C2 DS control Driver Strength Selection 3'b000: 100ohm 3'b100: 66ohm 3'b010: 50ohm 3'b110: 40ohm 3'b001: 33ohm 3'b101: 25ohm
7	RO	0x0	reserved
6:4	RW	0x6	gpio3c1_ds GPIO3C1 DS control Driver Strength Selection 3'b000: 100ohm 3'b100: 66ohm 3'b010: 50ohm 3'b110: 40ohm 3'b001: 33ohm 3'b101: 25ohm
3	RO	0x0	reserved
2:0	RW	0x6	gpio3c0_ds GPIO3C0 DS control Driver Strength Selection 3'b000: 100ohm 3'b100: 66ohm 3'b010: 50ohm 3'b110: 40ohm 3'b001: 33ohm 3'b101: 25ohm

**VCCIO3 5 IOC GPIO3C DS H**

Address: Operational Base + offset (0x0074)

Bit	Attr	Reset Value	Description
31:16	WO	0x0000	write_enable Write enable for lower 16bits, each bit is individual 1'b0: Write access disable 1'b1: Write access enable
15	RO	0x0	reserved
14:12	RW	0x6	gpio3c7_ds GPIO3C7 DS control Driver Strength Selection 3'b000: 100ohm 3'b100: 66ohm 3'b010: 50ohm 3'b110: 40ohm 3'b001: 33ohm 3'b101: 25ohm
11	RO	0x0	reserved

Bit	Attr	Reset Value	Description
10:8	RW	0x6	gpio3c6_ds GPIO3C6 DS control Driver Strength Selection 3'b000: 100ohm 3'b100: 66ohm 3'b010: 50ohm 3'b110: 40ohm 3'b001: 33ohm 3'b101: 25ohm
7	RO	0x0	reserved
6:4	RW	0x6	gpio3c5_ds GPIO3C5 DS control Driver Strength Selection 3'b000: 100ohm 3'b100: 66ohm 3'b010: 50ohm 3'b110: 40ohm 3'b001: 33ohm 3'b101: 25ohm
3	RO	0x0	reserved
2:0	RW	0x6	gpio3c4_ds GPIO3C4 DS control Driver Strength Selection 3'b000: 100ohm 3'b100: 66ohm 3'b010: 50ohm 3'b110: 40ohm 3'b001: 33ohm 3'b101: 25ohm

**VCCIO3 5 IOC GPIO3D DS L**

Address: Operational Base + offset (0x0078)

Bit	Attr	Reset Value	Description
31:16	WO	0x0000	write_enable Write enable for lower 16bits, each bit is individual 1'b0: Write access disable 1'b1: Write access enable
15	RO	0x0	reserved
14:12	RW	0x6	gpio3d3_ds GPIO3D3 DS control Driver Strength Selection 3'b000: 100ohm 3'b100: 66ohm 3'b010: 50ohm 3'b110: 40ohm 3'b001: 33ohm 3'b101: 25ohm
11	RO	0x0	reserved

Bit	Attr	Reset Value	Description
10:8	RW	0x6	gpio3d2_ds GPIO3D2 DS control Driver Strength Selection 3'b000: 100ohm 3'b100: 66ohm 3'b010: 50ohm 3'b110: 40ohm 3'b001: 33ohm 3'b101: 25ohm
7	RO	0x0	reserved
6:4	RW	0x6	gpio3d1_ds GPIO3D1 DS control Driver Strength Selection 3'b000: 100ohm 3'b100: 66ohm 3'b010: 50ohm 3'b110: 40ohm 3'b001: 33ohm 3'b101: 25ohm
3	RO	0x0	reserved
2:0	RW	0x6	gpio3d0_ds GPIO3D0 DS control Driver Strength Selection 3'b000: 100ohm 3'b100: 66ohm 3'b010: 50ohm 3'b110: 40ohm 3'b001: 33ohm 3'b101: 25ohm

**VCCIO3 5 IOC GPIO3D DS H**

Address: Operational Base + offset (0x007C)

Bit	Attr	Reset Value	Description
31:16	WO	0x0000	write_enable Write enable for lower 16bits, each bit is individual 1'b0: Write access disable 1'b1: Write access enable
15:7	RO	0x000	reserved
6:4	RW	0x6	gpio3d5_ds GPIO3D5 DS control Driver Strength Selection 3'b000: 100ohm 3'b100: 66ohm 3'b010: 50ohm 3'b110: 40ohm 3'b001: 33ohm 3'b101: 25ohm
3	RO	0x0	reserved

Bit	Attr	Reset Value	Description
2:0	RW	0x6	gpio3d4_ds GPIO3D4 DS control Driver Strength Selection 3'b000: 100ohm 3'b100: 66ohm 3'b010: 50ohm 3'b110: 40ohm 3'b001: 33ohm 3'b101: 25ohm

**VCCIO3 5 IOC GPIO4C DS L**

Address: Operational Base + offset (0x0090)

Bit	Attr	Reset Value	Description
31:16	WO	0x0000	write_enable Write enable for lower 16bits, each bit is individual 1'b0: Write access disable 1'b1: Write access enable
15:14	RO	0x0	reserved
13:12	RW	0x1	gpio4c3_ds GPIO4C3 DS control Driver Strength Selection 2'b00: 2.5mA 100ohm 2'b10: 5mA 50ohm 2'b01: 7.5mA 33ohm 2'b11: 10mA 25ohm
11:10	RO	0x0	reserved
9:8	RW	0x1	gpio4c2_ds GPIO4C2 DS control Driver Strength Selection 2'b00: 2.5mA 100ohm 2'b10: 5mA 50ohm 2'b01: 7.5mA 33ohm 2'b11: 10mA 25ohm
7:0	RO	0x00	reserved

**VCCIO3 5 IOC GPIO4C DS H**

Address: Operational Base + offset (0x0094)

Bit	Attr	Reset Value	Description
31:16	WO	0x0000	write_enable Write enable for lower 16bits, each bit is individual 1'b0: Write access disable 1'b1: Write access enable
15:10	RO	0x00	reserved
9:8	RW	0x1	gpio4c6_ds GPIO4C6 DS control Driver Strength Selection 2'b00: 2.5mA 100ohm 2'b10: 5mA 50ohm 2'b01: 7.5mA 33ohm 2'b11: 10mA 25ohm
7:6	RO	0x0	reserved

**RK3588 TRM-Part1**

Bit	Attr	Reset Value	Description
5:4	RW	0x1	gpio4c5_ds GPIO4C5 DS control Driver Strength Selection 2'b00: 2.5mA 100ohm 2'b10: 5mA 50ohm 2'b01: 7.5mA 33ohm 2'b11: 10mA 25ohm
3:2	RO	0x0	reserved
1:0	RW	0x1	gpio4c4_ds GPIO4C4 DS control Driver Strength Selection 2'b00: 2.5mA 100ohm 2'b10: 5mA 50ohm 2'b01: 7.5mA 33ohm 2'b11: 10mA 25ohm

**VCCIO3 5 IOC GPIO2A P**

Address: Operational Base + offset (0x0120)

Bit	Attr	Reset Value	Description
31:16	WO	0x0000	write_enable Write enable for lower 16bits, each bit is individual 1'b0: Write access disable 1'b1: Write access enable
15	RW	0x1	gpio2a7_ps GPIO2A7 PS control Weak PU/PD Resistor Selection 1'b0: PD Selection 1'b1: PU Selection
14	RW	0x1	gpio2a7_pe GPIO2A7 PE control Active High Weak PU/PD Resistor Enable 1'b0: PU/PD Disable 1'b1: PU/PD Enable
13	RW	0x1	gpio2a6_ps GPIO2A6 PS control Weak PU/PD Resistor Selection 1'b0: PD Selection 1'b1: PU Selection
12	RW	0x1	gpio2a6_pe GPIO2A6 PE control Active High Weak PU/PD Resistor Enable 1'b0: PU/PD Disable 1'b1: PU/PD Enable
11:0	RO	0x000	reserved

**VCCIO3 5 IOC GPIO2B P**

Address: Operational Base + offset (0x0124)

Bit	Attr	Reset Value	Description
31:16	WO	0x0000	write_enable Write enable for lower 16bits, each bit is individual 1'b0: Write access disable 1'b1: Write access enable



Bit	Attr	Reset Value	Description
15	RW	0x0	gpio2b7_ps GPIO2B7 PS control Weak PU/PD Resistor Selection 1'b0: PD Selection 1'b1: PU Selection
14	RW	0x1	gpio2b7_pe GPIO2B7 PE control Active High Weak PU/PD Resistor Enable 1'b0: PU/PD Disable 1'b1: PU/PD Enable
13	RW	0x0	gpio2b6_ps GPIO2B6 PS control Weak PU/PD Resistor Selection 1'b0: PD Selection 1'b1: PU Selection
12	RW	0x1	gpio2b6_pe GPIO2B6 PE control Active High Weak PU/PD Resistor Enable 1'b0: PU/PD Disable 1'b1: PU/PD Enable
11	RW	0x1	gpio2b5_ps GPIO2B5 PS control Weak PU/PD Resistor Selection 1'b0: PD Selection 1'b1: PU Selection
10	RW	0x1	gpio2b5_pe GPIO2B5 PE control Active High Weak PU/PD Resistor Enable 1'b0: PU/PD Disable 1'b1: PU/PD Enable
9	RW	0x1	gpio2b4_ps GPIO2B4 PS control Weak PU/PD Resistor Selection 1'b0: PD Selection 1'b1: PU Selection
8	RW	0x1	gpio2b4_pe GPIO2B4 PE control Active High Weak PU/PD Resistor Enable 1'b0: PU/PD Disable 1'b1: PU/PD Enable
7	RW	0x0	gpio2b3_ps GPIO2B3 PS control Weak PU/PD Resistor Selection 1'b0: PD Selection 1'b1: PU Selection
6	RW	0x1	gpio2b3_pe GPIO2B3 PE control Active High Weak PU/PD Resistor Enable 1'b0: PU/PD Disable 1'b1: PU/PD Enable
5	RW	0x1	gpio2b2_ps GPIO2B2 PS control Weak PU/PD Resistor Selection 1'b0: PD Selection 1'b1: PU Selection

Bit	Attr	Reset Value	Description
4	RW	0x1	gpio2b2_pe GPIO2B2 PE control Active High Weak PU/PD Resistor Enable 1'b0: PU/PD Disable 1'b1: PU/PD Enable
3	RW	0x1	gpio2b1_ps GPIO2B1 PS control Weak PU/PD Resistor Selection 1'b0: PD Selection 1'b1: PU Selection
2	RW	0x1	gpio2b1_pe GPIO2B1 PE control Active High Weak PU/PD Resistor Enable 1'b0: PU/PD Disable 1'b1: PU/PD Enable
1	RW	0x1	gpio2b0_ps GPIO2B0 PS control Weak PU/PD Resistor Selection 1'b0: PD Selection 1'b1: PU Selection
0	RW	0x1	gpio2b0_pe GPIO2B0 PE control Active High Weak PU/PD Resistor Enable 1'b0: PU/PD Disable 1'b1: PU/PD Enable

**VCCIO3 5 IOC GPIO2C P**

Address: Operational Base + offset (0x0128)

Bit	Attr	Reset Value	Description
31:16	WO	0x0000	write_enable Write enable for lower 16bits, each bit is individual 1'b0: Write access disable 1'b1: Write access enable
15:12	RO	0x0	reserved
11	RW	0x0	gpio2c5_ps GPIO2C5 PS control Weak PU/PD Resistor Selection 1'b0: PD Selection 1'b1: PU Selection
10	RW	0x1	gpio2c5_pe GPIO2C5 PE control Active High Weak PU/PD Resistor Enable 1'b0: PU/PD Disable 1'b1: PU/PD Enable
9	RW	0x0	gpio2c4_ps GPIO2C4 PS control Weak PU/PD Resistor Selection 1'b0: PD Selection 1'b1: PU Selection
8	RW	0x1	gpio2c4_pe GPIO2C4 PE control Active High Weak PU/PD Resistor Enable 1'b0: PU/PD Disable 1'b1: PU/PD Enable

Bit	Attr	Reset Value	Description
7	RW	0x0	gpio2c3_ps GPIO2C3 PS control Weak PU/PD Resistor Selection 1'b0: PD Selection 1'b1: PU Selection
6	RW	0x1	gpio2c3_pe GPIO2C3 PE control Active High Weak PU/PD Resistor Enable 1'b0: PU/PD Disable 1'b1: PU/PD Enable
5	RW	0x0	gpio2c2_ps GPIO2C2 PS control Weak PU/PD Resistor Selection 1'b0: PD Selection 1'b1: PU Selection
4	RW	0x1	gpio2c2_pe GPIO2C2 PE control Active High Weak PU/PD Resistor Enable 1'b0: PU/PD Disable 1'b1: PU/PD Enable
3	RW	0x0	gpio2c1_ps GPIO2C1 PS control Weak PU/PD Resistor Selection 1'b0: PD Selection 1'b1: PU Selection
2	RW	0x1	gpio2c1_pe GPIO2C1 PE control Active High Weak PU/PD Resistor Enable 1'b0: PU/PD Disable 1'b1: PU/PD Enable
1	RW	0x0	gpio2c0_ps GPIO2C0 PS control Weak PU/PD Resistor Selection 1'b0: PD Selection 1'b1: PU Selection
0	RW	0x1	gpio2c0_pe GPIO2C0 PE control Active High Weak PU/PD Resistor Enable 1'b0: PU/PD Disable 1'b1: PU/PD Enable

**VCCIO3 5 IOC GPIO3A P**

Address: Operational Base + offset (0x0130)

Bit	Attr	Reset Value	Description
31:16	WO	0x0000	write_enable Write enable for lower 16bits, each bit is individual 1'b0: Write access disable 1'b1: Write access enable
15	RW	0x1	gpio3a7_ps GPIO3A7 PS control Weak PU/PD Resistor Selection 1'b0: PD Selection 1'b1: PU Selection

Bit	Attr	Reset Value	Description
14	RW	0x1	gpio3a7_pe GPIO3A7 PE control Active High Weak PU/PD Resistor Enable 1'b0: PU/PD Disable 1'b1: PU/PD Enable
13	RW	0x0	gpio3a6_ps GPIO3A6 PS control Weak PU/PD Resistor Selection 1'b0: PD Selection 1'b1: PU Selection
12	RW	0x1	gpio3a6_pe GPIO3A6 PE control Active High Weak PU/PD Resistor Enable 1'b0: PU/PD Disable 1'b1: PU/PD Enable
11	RW	0x0	gpio3a5_ps GPIO3A5 PS control Weak PU/PD Resistor Selection 1'b0: PD Selection 1'b1: PU Selection
10	RW	0x1	gpio3a5_pe GPIO3A5 PE control Active High Weak PU/PD Resistor Enable 1'b0: PU/PD Disable 1'b1: PU/PD Enable
9	RW	0x0	gpio3a4_ps GPIO3A4 PS control Weak PU/PD Resistor Selection 1'b0: PD Selection 1'b1: PU Selection
8	RW	0x1	gpio3a4_pe GPIO3A4 PE control Active High Weak PU/PD Resistor Enable 1'b0: PU/PD Disable 1'b1: PU/PD Enable
7	RW	0x1	gpio3a3_ps GPIO3A3 PS control Weak PU/PD Resistor Selection 1'b0: PD Selection 1'b1: PU Selection
6	RW	0x1	gpio3a3_pe GPIO3A3 PE control Active High Weak PU/PD Resistor Enable 1'b0: PU/PD Disable 1'b1: PU/PD Enable
5	RW	0x1	gpio3a2_ps GPIO3A2 PS control Weak PU/PD Resistor Selection 1'b0: PD Selection 1'b1: PU Selection
4	RW	0x1	gpio3a2_pe GPIO3A2 PE control Active High Weak PU/PD Resistor Enable 1'b0: PU/PD Disable 1'b1: PU/PD Enable

Bit	Attr	Reset Value	Description
3	RW	0x1	gpio3a1_ps GPIO3A1 PS control Weak PU/PD Resistor Selection 1'b0: PD Selection 1'b1: PU Selection
2	RW	0x1	gpio3a1_pe GPIO3A1 PE control Active High Weak PU/PD Resistor Enable 1'b0: PU/PD Disable 1'b1: PU/PD Enable
1	RW	0x1	gpio3a0_ps GPIO3A0 PS control Weak PU/PD Resistor Selection 1'b0: PD Selection 1'b1: PU Selection
0	RW	0x1	gpio3a0_pe GPIO3A0 PE control Active High Weak PU/PD Resistor Enable 1'b0: PU/PD Disable 1'b1: PU/PD Enable

**VCCIO3 5 IOC GPIO3B P**

Address: Operational Base + offset (0x0134)

Bit	Attr	Reset Value	Description
31:16	WO	0x0000	write_enable Write enable for lower 16bits, each bit is individual 1'b0: Write access disable 1'b1: Write access enable
15	RW	0x0	gpio3b7_ps GPIO3B7 PS control Weak PU/PD Resistor Selection 1'b0: PD Selection 1'b1: PU Selection
14	RW	0x1	gpio3b7_pe GPIO3B7 PE control Active High Weak PU/PD Resistor Enable 1'b0: PU/PD Disable 1'b1: PU/PD Enable
13	RW	0x0	gpio3b6_ps GPIO3B6 PS control Weak PU/PD Resistor Selection 1'b0: PD Selection 1'b1: PU Selection
12	RW	0x1	gpio3b6_pe GPIO3B6 PE control Active High Weak PU/PD Resistor Enable 1'b0: PU/PD Disable 1'b1: PU/PD Enable
11	RW	0x1	gpio3b5_ps GPIO3B5 PS control Weak PU/PD Resistor Selection 1'b0: PD Selection 1'b1: PU Selection

Bit	Attr	Reset Value	Description
10	RW	0x1	gpio3b5_pe GPIO3B5 PE control Active High Weak PU/PD Resistor Enable 1'b0: PU/PD Disable 1'b1: PU/PD Enable
9	RW	0x1	gpio3b4_ps GPIO3B4 PS control Weak PU/PD Resistor Selection 1'b0: PD Selection 1'b1: PU Selection
8	RW	0x1	gpio3b4_pe GPIO3B4 PE control Active High Weak PU/PD Resistor Enable 1'b0: PU/PD Disable 1'b1: PU/PD Enable
7	RW	0x1	gpio3b3_ps GPIO3B3 PS control Weak PU/PD Resistor Selection 1'b0: PD Selection 1'b1: PU Selection
6	RW	0x1	gpio3b3_pe GPIO3B3 PE control Active High Weak PU/PD Resistor Enable 1'b0: PU/PD Disable 1'b1: PU/PD Enable
5	RW	0x0	gpio3b2_ps GPIO3B2 PS control Weak PU/PD Resistor Selection 1'b0: PD Selection 1'b1: PU Selection
4	RW	0x1	gpio3b2_pe GPIO3B2 PE control Active High Weak PU/PD Resistor Enable 1'b0: PU/PD Disable 1'b1: PU/PD Enable
3	RW	0x0	gpio3b1_ps GPIO3B1 PS control Weak PU/PD Resistor Selection 1'b0: PD Selection 1'b1: PU Selection
2	RW	0x1	gpio3b1_pe GPIO3B1 PE control Active High Weak PU/PD Resistor Enable 1'b0: PU/PD Disable 1'b1: PU/PD Enable
1	RW	0x1	gpio3b0_ps GPIO3B0 PS control Weak PU/PD Resistor Selection 1'b0: PD Selection 1'b1: PU Selection
0	RW	0x1	gpio3b0_pe GPIO3B0 PE control Active High Weak PU/PD Resistor Enable 1'b0: PU/PD Disable 1'b1: PU/PD Enable

**VCCIO3 5 IOC GPIO3C P**

Address: Operational Base + offset (0x0138)

Bit	Attr	Reset Value	Description
31:16	WO	0x0000	write_enable Write enable for lower 16bits, each bit is individual 1'b0: Write access disable 1'b1: Write access enable
15	RW	0x1	gpio3c7_ps GPIO3C7 PS control Weak PU/PD Resistor Selection 1'b0: PD Selection 1'b1: PU Selection
14	RW	0x1	gpio3c7_pe GPIO3C7 PE control Active High Weak PU/PD Resistor Enable 1'b0: PU/PD Disable 1'b1: PU/PD Enable
13	RW	0x1	gpio3c6_ps GPIO3C6 PS control Weak PU/PD Resistor Selection 1'b0: PD Selection 1'b1: PU Selection
12	RW	0x1	gpio3c6_pe GPIO3C6 PE control Active High Weak PU/PD Resistor Enable 1'b0: PU/PD Disable 1'b1: PU/PD Enable
11	RW	0x1	gpio3c5_ps GPIO3C5 PS control Weak PU/PD Resistor Selection 1'b0: PD Selection 1'b1: PU Selection
10	RW	0x1	gpio3c5_pe GPIO3C5 PE control Active High Weak PU/PD Resistor Enable 1'b0: PU/PD Disable 1'b1: PU/PD Enable
9	RW	0x1	gpio3c4_ps GPIO3C4 PS control Weak PU/PD Resistor Selection 1'b0: PD Selection 1'b1: PU Selection
8	RW	0x1	gpio3c4_pe GPIO3C4 PE control Active High Weak PU/PD Resistor Enable 1'b0: PU/PD Disable 1'b1: PU/PD Enable
7	RW	0x0	gpio3c3_ps GPIO3C3 PS control Weak PU/PD Resistor Selection 1'b0: PD Selection 1'b1: PU Selection

Bit	Attr	Reset Value	Description
6	RW	0x1	gpio3c3_pe GPIO3C3 PE control Active High Weak PU/PD Resistor Enable 1'b0: PU/PD Disable 1'b1: PU/PD Enable
5	RW	0x0	gpio3c2_ps GPIO3C2 PS control Weak PU/PD Resistor Selection 1'b0: PD Selection 1'b1: PU Selection
4	RW	0x1	gpio3c2_pe GPIO3C2 PE control Active High Weak PU/PD Resistor Enable 1'b0: PU/PD Disable 1'b1: PU/PD Enable
3	RW	0x0	gpio3c1_ps GPIO3C1 PS control Weak PU/PD Resistor Selection 1'b0: PD Selection 1'b1: PU Selection
2	RW	0x1	gpio3c1_pe GPIO3C1 PE control Active High Weak PU/PD Resistor Enable 1'b0: PU/PD Disable 1'b1: PU/PD Enable
1	RW	0x0	gpio3c0_ps GPIO3C0 PS control Weak PU/PD Resistor Selection 1'b0: PD Selection 1'b1: PU Selection
0	RW	0x1	gpio3c0_pe GPIO3C0 PE control Active High Weak PU/PD Resistor Enable 1'b0: PU/PD Disable 1'b1: PU/PD Enable

**VCCIO3 5 IOC GPIO3D P**

Address: Operational Base + offset (0x013C)

Bit	Attr	Reset Value	Description
31:16	WO	0x0000	write_enable Write enable for lower 16bits, each bit is individual 1'b0: Write access disable 1'b1: Write access enable
15:12	RO	0x0	reserved
11	RW	0x0	gpio3d5_ps GPIO3D5 PS control Weak PU/PD Resistor Selection 1'b0: PD Selection 1'b1: PU Selection
10	RW	0x1	gpio3d5_pe GPIO3D5 PE control Active High Weak PU/PD Resistor Enable 1'b0: PU/PD Disable 1'b1: PU/PD Enable



Bit	Attr	Reset Value	Description
9	RW	0x0	gpio3d4_ps GPIO3D4 PS control Weak PU/PD Resistor Selection 1'b0: PD Selection 1'b1: PU Selection
8	RW	0x1	gpio3d4_pe GPIO3D4 PE control Active High Weak PU/PD Resistor Enable 1'b0: PU/PD Disable 1'b1: PU/PD Enable
7	RW	0x0	gpio3d3_ps GPIO3D3 PS control Weak PU/PD Resistor Selection 1'b0: PD Selection 1'b1: PU Selection
6	RW	0x1	gpio3d3_pe GPIO3D3 PE control Active High Weak PU/PD Resistor Enable 1'b0: PU/PD Disable 1'b1: PU/PD Enable
5	RW	0x0	gpio3d2_ps GPIO3D2 PS control Weak PU/PD Resistor Selection 1'b0: PD Selection 1'b1: PU Selection
4	RW	0x1	gpio3d2_pe GPIO3D2 PE control Active High Weak PU/PD Resistor Enable 1'b0: PU/PD Disable 1'b1: PU/PD Enable
3	RW	0x0	gpio3d1_ps GPIO3D1 PS control Weak PU/PD Resistor Selection 1'b0: PD Selection 1'b1: PU Selection
2	RW	0x1	gpio3d1_pe GPIO3D1 PE control Active High Weak PU/PD Resistor Enable 1'b0: PU/PD Disable 1'b1: PU/PD Enable
1	RW	0x1	gpio3d0_ps GPIO3D0 PS control Weak PU/PD Resistor Selection 1'b0: PD Selection 1'b1: PU Selection
0	RW	0x1	gpio3d0_pe GPIO3D0 PE control Active High Weak PU/PD Resistor Enable 1'b0: PU/PD Disable 1'b1: PU/PD Enable

**VCCIO3 5 IOC GPIO4C P**

Address: Operational Base + offset (0x0148)

Bit	Attr	Reset Value	Description
31:16	WO	0x0000	write_enable Write enable for lower 16bits, each bit is individual 1'b0: Write access disable 1'b1: Write access enable
15:14	RO	0x0	reserved
13	RW	0x0	gpio4c6_ps GPIO4C6 PS control Weak PU/PD Resistor Selection 1'b0: PD Selection 1'b1: PU Selection
12	RW	0x1	gpio4c6_pe GPIO4C6 PE control Active High Weak PU/PD Resistor Enable 1'b0: PU/PD Disable 1'b1: PU/PD Enable
11	RW	0x0	gpio4c5_ps GPIO4C5 PS control Weak PU/PD Resistor Selection 1'b0: PD Selection 1'b1: PU Selection
10	RW	0x1	gpio4c5_pe GPIO4C5 PE control Active High Weak PU/PD Resistor Enable 1'b0: PU/PD Disable 1'b1: PU/PD Enable
9	RW	0x0	gpio4c4_ps GPIO4C4 PS control Weak PU/PD Resistor Selection 1'b0: PD Selection 1'b1: PU Selection
8	RW	0x1	gpio4c4_pe GPIO4C4 PE control Active High Weak PU/PD Resistor Enable 1'b0: PU/PD Disable 1'b1: PU/PD Enable
7	RW	0x0	gpio4c3_ps GPIO4C3 PS control Weak PU/PD Resistor Selection 1'b0: PD Selection 1'b1: PU Selection
6	RW	0x1	gpio4c3_pe GPIO4C3 PE control Active High Weak PU/PD Resistor Enable 1'b0: PU/PD Disable 1'b1: PU/PD Enable
5	RW	0x0	gpio4c2_ps GPIO4C2 PS control Weak PU/PD Resistor Selection 1'b0: PD Selection 1'b1: PU Selection
4	RW	0x1	gpio4c2_pe GPIO4C2 PE control Active High Weak PU/PD Resistor Enable 1'b0: PU/PD Disable 1'b1: PU/PD Enable

Bit	Attr	Reset Value	Description
3:0	RO	0x0	reserved

**VCCIO3 5 IOC GPIO2A IE**

Address: Operational Base + offset (0x0190)

Bit	Attr	Reset Value	Description
31:16	WO	0x0000	write_enable Write enable for lower 16bits, each bit is individual 1'b0: Write access disable 1'b1: Write access enable
15:8	RO	0x00	reserved
7	RW	0x1	gpio2a7_ie GPIO2A7 IE control Active High input buffer enable
6	RW	0x1	gpio2a6_ie GPIO2A6 IE control Active High input buffer enable
5:0	RO	0x00	reserved

**VCCIO3 5 IOC GPIO2B IE**

Address: Operational Base + offset (0x0194)

Bit	Attr	Reset Value	Description
31:16	WO	0x0000	write_enable Write enable for lower 16bits, each bit is individual 1'b0: Write access disable 1'b1: Write access enable
15:8	RO	0x00	reserved
7	RW	0x1	gpio2b7_ie GPIO2B7 IE control Active High input buffer enable
6	RW	0x1	gpio2b6_ie GPIO2B6 IE control Active High input buffer enable
5	RW	0x1	gpio2b5_ie GPIO2B5 IE control Active High input buffer enable
4	RW	0x1	gpio2b4_ie GPIO2B4 IE control Active High input buffer enable
3	RW	0x1	gpio2b3_ie GPIO2B3 IE control Active High input buffer enable
2	RW	0x1	gpio2b2_ie GPIO2B2 IE control Active High input buffer enable
1	RW	0x1	gpio2b1_ie GPIO2B1 IE control Active High input buffer enable
0	RW	0x1	gpio2b0_ie GPIO2B0 IE control Active High input buffer enable

**VCCIO3 5 IOC GPIO2C IE**

Address: Operational Base + offset (0x0198)

Bit	Attr	Reset Value	Description
31:16	WO	0x0000	write_enable Write enable for lower 16bits, each bit is individual 1'b0: Write access disable 1'b1: Write access enable
15:6	RO	0x000	reserved
5	RW	0x1	gpio2c5_ie GPIO2C5 IE control Active High input buffer enable
4	RW	0x1	gpio2c4_ie GPIO2C4 IE control Active High input buffer enable
3	RW	0x1	gpio2c3_ie GPIO2C3 IE control Active High input buffer enable
2	RW	0x1	gpio2c2_ie GPIO2C2 IE control Active High input buffer enable
1	RW	0x1	gpio2c1_ie GPIO2C1 IE control Active High input buffer enable
0	RW	0x1	gpio2c0_ie GPIO2C0 IE control Active High input buffer enable

**VCCIO3 5 IOC GPIO3A IE**

Address: Operational Base + offset (0x01A0)

Bit	Attr	Reset Value	Description
31:16	WO	0x0000	write_enable Write enable for lower 16bits, each bit is individual 1'b0: Write access disable 1'b1: Write access enable
15:8	RO	0x00	reserved
7	RW	0x1	gpio3a7_ie GPIO3A7 IE control Active High input buffer enable
6	RW	0x1	gpio3a6_ie GPIO3A6 IE control Active High input buffer enable
5	RW	0x1	gpio3a5_ie GPIO3A5 IE control Active High input buffer enable
4	RW	0x1	gpio3a4_ie GPIO3A4 IE control Active High input buffer enable
3	RW	0x1	gpio3a3_ie GPIO3A3 IE control Active High input buffer enable
2	RW	0x1	gpio3a2_ie GPIO3A2 IE control Active High input buffer enable
1	RW	0x1	gpio3a1_ie GPIO3A1 IE control Active High input buffer enable

Bit	Attr	Reset Value	Description
0	RW	0x1	gpio3a0_ie GPIO3A0 IE control Active High input buffer enable

**VCCIO3 5 IOC GPIO3B IE**

Address: Operational Base + offset (0x01A4)

Bit	Attr	Reset Value	Description
31:16	WO	0x0000	write_enable Write enable for lower 16bits, each bit is individual 1'b0: Write access disable 1'b1: Write access enable
15:8	RO	0x00	reserved
7	RW	0x1	gpio3b7_ie GPIO3B7 IE control Active High input buffer enable
6	RW	0x1	gpio3b6_ie GPIO3B6 IE control Active High input buffer enable
5	RW	0x1	gpio3b5_ie GPIO3B5 IE control Active High input buffer enable
4	RW	0x1	gpio3b4_ie GPIO3B4 IE control Active High input buffer enable
3	RW	0x1	gpio3b3_ie GPIO3B3 IE control Active High input buffer enable
2	RW	0x1	gpio3b2_ie GPIO3B2 IE control Active High input buffer enable
1	RW	0x1	gpio3b1_ie GPIO3B1 IE control Active High input buffer enable
0	RW	0x1	gpio3b0_ie GPIO3B0 IE control Active High input buffer enable

**VCCIO3 5 IOC GPIO3C IE**

Address: Operational Base + offset (0x01A8)

Bit	Attr	Reset Value	Description
31:16	WO	0x0000	write_enable Write enable for lower 16bits, each bit is individual 1'b0: Write access disable 1'b1: Write access enable
15:8	RO	0x00	reserved
7	RW	0x1	gpio3c7_ie GPIO3C7 IE control Active High input buffer enable
6	RW	0x1	gpio3c6_ie GPIO3C6 IE control Active High input buffer enable
5	RW	0x1	gpio3c5_ie GPIO3C5 IE control Active High input buffer enable

Bit	Attr	Reset Value	Description
4	RW	0x1	gpio3c4_ie GPIO3C4 IE control Active High input buffer enable
3	RW	0x1	gpio3c3_ie GPIO3C3 IE control Active High input buffer enable
2	RW	0x1	gpio3c2_ie GPIO3C2 IE control Active High input buffer enable
1	RW	0x1	gpio3c1_ie GPIO3C1 IE control Active High input buffer enable
0	RW	0x1	gpio3c0_ie GPIO3C0 IE control Active High input buffer enable

**VCCIO3 5 IOC GPIO3D IE**

Address: Operational Base + offset (0x01AC)

Bit	Attr	Reset Value	Description
31:16	WO	0x0000	write_enable Write enable for lower 16bits, each bit is individual 1'b0: Write access disable 1'b1: Write access enable
15:6	RO	0x000	reserved
5	RW	0x1	gpio3d5_ie GPIO3D5 IE control Active High input buffer enable
4	RW	0x1	gpio3d4_ie GPIO3D4 IE control Active High input buffer enable
3	RW	0x1	gpio3d3_ie GPIO3D3 IE control Active High input buffer enable
2	RW	0x1	gpio3d2_ie GPIO3D2 IE control Active High input buffer enable
1	RW	0x1	gpio3d1_ie GPIO3D1 IE control Active High input buffer enable
0	RW	0x1	gpio3d0_ie GPIO3D0 IE control Active High input buffer enable

**VCCIO3 5 IOC GPIO4C IE**

Address: Operational Base + offset (0x01B8)

Bit	Attr	Reset Value	Description
31:16	WO	0x0000	write_enable Write enable for lower 16bits, each bit is individual 1'b0: Write access disable 1'b1: Write access enable
15:7	RO	0x000	reserved
6	RW	0x1	gpio4c6_ie GPIO4C6 IE control Active High input buffer enable

Bit	Attr	Reset Value	Description
5	RW	0x1	gpio4c5_ie GPIO4C5 IE control Active High input buffer enable
4	RW	0x1	gpio4c4_ie GPIO4C4 IE control Active High input buffer enable
3	RW	0x1	gpio4c3_ie GPIO4C3 IE control Active High input buffer enable
2	RW	0x1	gpio4c2_ie GPIO4C2 IE control Active High input buffer enable
1:0	RO	0x0	reserved

**VCCIO3 5 IOC GPIO2A SMT**

Address: Operational Base + offset (0x0220)

Bit	Attr	Reset Value	Description
31:16	WO	0x0000	write_enable Write enable for lower 16bits, each bit is individual 1'b0: Write access disable 1'b1: Write access enable
15:8	RO	0x00	reserved
7	RW	0x0	gpio2a7_smt GPIO2A7 SMT control CMOS/Schmitt Trigger Selection 1'b0: CMOS Input 1'b1: Schmitt Trigger input
6	RW	0x0	gpio2a6_smt GPIO2A6 SMT control CMOS/Schmitt Trigger Selection 1'b0: CMOS Input 1'b1: Schmitt Trigger input
5:0	RO	0x00	reserved

**VCCIO3 5 IOC GPIO2B SMT**

Address: Operational Base + offset (0x0224)

Bit	Attr	Reset Value	Description
31:16	WO	0x0000	write_enable Write enable for lower 16bits, each bit is individual 1'b0: Write access disable 1'b1: Write access enable
15:8	RO	0x00	reserved
7	RW	0x0	gpio2b7_smt GPIO2B7 SMT control CMOS/Schmitt Trigger Selection 1'b0: CMOS Input 1'b1: Schmitt Trigger input
6	RW	0x0	gpio2b6_smt GPIO2B6 SMT control CMOS/Schmitt Trigger Selection 1'b0: CMOS Input 1'b1: Schmitt Trigger input

Bit	Attr	Reset Value	Description
5	RW	0x0	gpio2b5_smt GPIO2B5 SMT control CMOS/Schmitt Trigger Selection 1'b0: CMOS Input 1'b1: Schmitt Trigger input
4	RW	0x0	gpio2b4_smt GPIO2B4 SMT control CMOS/Schmitt Trigger Selection 1'b0: CMOS Input 1'b1: Schmitt Trigger input
3	RW	0x0	gpio2b3_smt GPIO2B3 SMT control CMOS/Schmitt Trigger Selection 1'b0: CMOS Input 1'b1: Schmitt Trigger input
2	RW	0x0	gpio2b2_smt GPIO2B2 SMT control CMOS/Schmitt Trigger Selection 1'b0: CMOS Input 1'b1: Schmitt Trigger input
1	RW	0x0	gpio2b1_smt GPIO2B1 SMT control CMOS/Schmitt Trigger Selection 1'b0: CMOS Input 1'b1: Schmitt Trigger input
0	RW	0x0	gpio2b0_smt GPIO2B0 SMT control CMOS/Schmitt Trigger Selection 1'b0: CMOS Input 1'b1: Schmitt Trigger input

**VCCIO3 5 IOC GPIO2C SMT**

Address: Operational Base + offset (0x0228)

Bit	Attr	Reset Value	Description
31:16	WO	0x0000	write_enable Write enable for lower 16bits, each bit is individual 1'b0: Write access disable 1'b1: Write access enable
15:6	RO	0x000	reserved
5	RW	0x0	gpio2c5_smt GPIO2C5 SMT control CMOS/Schmitt Trigger Selection 1'b0: CMOS Input 1'b1: Schmitt Trigger input
4	RW	0x0	gpio2c4_smt GPIO2C4 SMT control CMOS/Schmitt Trigger Selection 1'b0: CMOS Input 1'b1: Schmitt Trigger input
3	RW	0x0	gpio2c3_smt GPIO2C3 SMT control CMOS/Schmitt Trigger Selection 1'b0: CMOS Input 1'b1: Schmitt Trigger input



Bit	Attr	Reset Value	Description
2	RW	0x0	gpio2c2_smt GPIO2C2 SMT control CMOS/Schmitt Trigger Selection 1'b0: CMOS Input 1'b1: Schmitt Trigger input
1	RW	0x0	gpio2c1_smt GPIO2C1 SMT control CMOS/Schmitt Trigger Selection 1'b0: CMOS Input 1'b1: Schmitt Trigger input
0	RW	0x0	gpio2c0_smt GPIO2C0 SMT control CMOS/Schmitt Trigger Selection 1'b0: CMOS Input 1'b1: Schmitt Trigger input

**VCCIO3 5 IOC GPIO3A SMT**

Address: Operational Base + offset (0x0230)

Bit	Attr	Reset Value	Description
31:16	WO	0x0000	write_enable Write enable for lower 16bits, each bit is individual 1'b0: Write access disable 1'b1: Write access enable
15:8	RO	0x00	reserved
7	RW	0x0	gpio3a7_smt GPIO3A7 SMT control CMOS/Schmitt Trigger Selection 1'b0: CMOS Input 1'b1: Schmitt Trigger input
6	RW	0x0	gpio3a6_smt GPIO3A6 SMT control CMOS/Schmitt Trigger Selection 1'b0: CMOS Input 1'b1: Schmitt Trigger input
5	RW	0x0	gpio3a5_smt GPIO3A5 SMT control CMOS/Schmitt Trigger Selection 1'b0: CMOS Input 1'b1: Schmitt Trigger input
4	RW	0x0	gpio3a4_smt GPIO3A4 SMT control CMOS/Schmitt Trigger Selection 1'b0: CMOS Input 1'b1: Schmitt Trigger input
3	RW	0x0	gpio3a3_smt GPIO3A3 SMT control CMOS/Schmitt Trigger Selection 1'b0: CMOS Input 1'b1: Schmitt Trigger input
2	RW	0x0	gpio3a2_smt GPIO3A2 SMT control CMOS/Schmitt Trigger Selection 1'b0: CMOS Input 1'b1: Schmitt Trigger input

Bit	Attr	Reset Value	Description
1	RW	0x0	gpio3a1_smt GPIO3A1 SMT control CMOS/Schmitt Trigger Selection 1'b0: CMOS Input 1'b1: Schmitt Trigger input
0	RW	0x0	gpio3a0_smt GPIO3A0 SMT control CMOS/Schmitt Trigger Selection 1'b0: CMOS Input 1'b1: Schmitt Trigger input

**VCCIO3 5 IOC GPIO3B SMT**

Address: Operational Base + offset (0x0234)

Bit	Attr	Reset Value	Description
31:16	WO	0x0000	write_enable Write enable for lower 16bits, each bit is individual 1'b0: Write access disable 1'b1: Write access enable
15:8	RO	0x00	reserved
7	RW	0x0	gpio3b7_smt GPIO3B7 SMT control CMOS/Schmitt Trigger Selection 1'b0: CMOS Input 1'b1: Schmitt Trigger input
6	RW	0x0	gpio3b6_smt GPIO3B6 SMT control CMOS/Schmitt Trigger Selection 1'b0: CMOS Input 1'b1: Schmitt Trigger input
5	RW	0x0	gpio3b5_smt GPIO3B5 SMT control CMOS/Schmitt Trigger Selection 1'b0: CMOS Input 1'b1: Schmitt Trigger input
4	RW	0x0	gpio3b4_smt GPIO3B4 SMT control CMOS/Schmitt Trigger Selection 1'b0: CMOS Input 1'b1: Schmitt Trigger input
3	RW	0x0	gpio3b3_smt GPIO3B3 SMT control CMOS/Schmitt Trigger Selection 1'b0: CMOS Input 1'b1: Schmitt Trigger input
2	RW	0x0	gpio3b2_smt GPIO3B2 SMT control CMOS/Schmitt Trigger Selection 1'b0: CMOS Input 1'b1: Schmitt Trigger input
1	RW	0x0	gpio3b1_smt GPIO3B1 SMT control CMOS/Schmitt Trigger Selection 1'b0: CMOS Input 1'b1: Schmitt Trigger input

Bit	Attr	Reset Value	Description
0	RW	0x0	gpio3b0_smt GPIO3B0 SMT control CMOS/Schmitt Trigger Selection 1'b0: CMOS Input 1'b1: Schmitt Trigger input

**VCCIO3 5 IOC GPIO3C SMT**

Address: Operational Base + offset (0x0238)

Bit	Attr	Reset Value	Description
31:16	WO	0x0000	write_enable Write enable for lower 16bits, each bit is individual 1'b0: Write access disable 1'b1: Write access enable
15:8	RO	0x00	reserved
7	RW	0x0	gpio3c7_smt GPIO3C7 SMT control CMOS/Schmitt Trigger Selection 1'b0: CMOS Input 1'b1: Schmitt Trigger input
6	RW	0x0	gpio3c6_smt GPIO3C6 SMT control CMOS/Schmitt Trigger Selection 1'b0: CMOS Input 1'b1: Schmitt Trigger input
5	RW	0x0	gpio3c5_smt GPIO3C5 SMT control CMOS/Schmitt Trigger Selection 1'b0: CMOS Input 1'b1: Schmitt Trigger input
4	RW	0x0	gpio3c4_smt GPIO3C4 SMT control CMOS/Schmitt Trigger Selection 1'b0: CMOS Input 1'b1: Schmitt Trigger input
3	RW	0x0	gpio3c3_smt GPIO3C3 SMT control CMOS/Schmitt Trigger Selection 1'b0: CMOS Input 1'b1: Schmitt Trigger input
2	RW	0x0	gpio3c2_smt GPIO3C2 SMT control CMOS/Schmitt Trigger Selection 1'b0: CMOS Input 1'b1: Schmitt Trigger input
1	RW	0x0	gpio3c1_smt GPIO3C1 SMT control CMOS/Schmitt Trigger Selection 1'b0: CMOS Input 1'b1: Schmitt Trigger input
0	RW	0x0	gpio3c0_smt GPIO3C0 SMT control CMOS/Schmitt Trigger Selection 1'b0: CMOS Input 1'b1: Schmitt Trigger input

**VCCIO3 5 IOC GPIO3D SMT**

Address: Operational Base + offset (0x023C)

Bit	Attr	Reset Value	Description
31:16	WO	0x0000	write_enable Write enable for lower 16bits, each bit is individual 1'b0: Write access disable 1'b1: Write access enable
15:6	RO	0x000	reserved
5	RW	0x0	gpio3d5_smt GPIO3D5 SMT control CMOS/Schmitt Trigger Selection 1'b0: CMOS Input 1'b1: Schmitt Trigger input
4	RW	0x0	gpio3d4_smt GPIO3D4 SMT control CMOS/Schmitt Trigger Selection 1'b0: CMOS Input 1'b1: Schmitt Trigger input
3	RW	0x0	gpio3d3_smt GPIO3D3 SMT control CMOS/Schmitt Trigger Selection 1'b0: CMOS Input 1'b1: Schmitt Trigger input
2	RW	0x0	gpio3d2_smt GPIO3D2 SMT control CMOS/Schmitt Trigger Selection 1'b0: CMOS Input 1'b1: Schmitt Trigger input
1	RW	0x0	gpio3d1_smt GPIO3D1 SMT control CMOS/Schmitt Trigger Selection 1'b0: CMOS Input 1'b1: Schmitt Trigger input
0	RW	0x0	gpio3d0_smt GPIO3D0 SMT control CMOS/Schmitt Trigger Selection 1'b0: CMOS Input 1'b1: Schmitt Trigger input

**VCCIO3 5 IOC GPIO4C SMT**

Address: Operational Base + offset (0x0248)

Bit	Attr	Reset Value	Description
31:16	WO	0x0000	write_enable Write enable for lower 16bits, each bit is individual 1'b0: Write access disable 1'b1: Write access enable
15:7	RO	0x000	reserved
6	RW	0x0	gpio4c6_smt GPIO4C6 SMT control CMOS/Schmitt Trigger Selection 1'b0: CMOS Input 1'b1: Schmitt Trigger input

Bit	Attr	Reset Value	Description
5	RW	0x0	gpio4c5_smt GPIO4C5 SMT control CMOS/Schmitt Trigger Selection 1'b0: CMOS Input 1'b1: Schmitt Trigger input
4	RW	0x0	gpio4c4_smt GPIO4C4 SMT control CMOS/Schmitt Trigger Selection 1'b0: CMOS Input 1'b1: Schmitt Trigger input
3	RW	0x0	gpio4c3_smt GPIO4C3 SMT control CMOS/Schmitt Trigger Selection 1'b0: CMOS Input 1'b1: Schmitt Trigger input
2	RW	0x0	gpio4c2_smt GPIO4C2 SMT control CMOS/Schmitt Trigger Selection 1'b0: CMOS Input 1'b1: Schmitt Trigger input
1:0	RO	0x0	reserved

### VCCIO3 5 IOC GPIO PDIS

Address: Operational Base + offset (0x0288)

Bit	Attr	Reset Value	Description
31:16	WO	0x0000	write_enable Write enable for lower 16bits, each bit is individual 1'b0: Write access disable 1'b1: Write access enable
15:2	RO	0x0000	reserved
1	RW	0x0	vccio5_pull_dis when 1'b1, disable VCCIO5 GPIO pull up/down when output enable
0	RW	0x0	vccio3_pull_dis when 1'b1, disable VCCIO3 GPIO pull up/down when output enable

## 6.30 VCCIO2\_IOC Register Description

### 6.30.1 Registers Summary

Name	Offset	Size	Reset Value	Description
VCCIO2_IOC_GPIO4D_DS_L	0x0098	W	0x00006666	GPIO4D Driver Strength Control Low bits
VCCIO2_IOC_GPIO4D_DS_H	0x009C	W	0x00000066	GPIO4D Driver Strength Control High bits
VCCIO2_IOC_GPIO4D_P	0x014C	W	0x000007FF	GPIO4D Pull-up/down Control
VCCIO2_IOC_GPIO4D_IE	0x01BC	W	0x0000003F	GPIO4D Input Enable Control
VCCIO2_IOC_GPIO4D_SM_T	0x024C	W	0x00000000	GPIO4D Schmitt Trigger Control
VCCIO2_IOC_GPIO_PDIS	0x0284	W	0x00000000	Auto Pull-up/down disable Control

Notes: **Size:** **B**- Byte (8 bits) access, **HW**- Half WORD (16 bits) access, **W**-WORD (32 bits) access, **DW**- Double WORD (64 bits) access

### 6.30.2 Detail Registers Description

#### **VCCIO2 IOC GPIO4D DS L**

Address: Operational Base + offset (0x0098)

Bit	Attr	Reset Value	Description
31:16	WO	0x0000	write_enable Write enable for lower 16bits, each bit is individual 1'b0: Write access disable 1'b1: Write access enable
15	RO	0x0	reserved
14:12	RW	0x6	gpio4d3_ds GPIO4D3 DS control Driver Strength Selection 3'b000: 100ohm 3'b100: 66ohm 3'b010: 50ohm 3'b110: 40ohm 3'b001: 33ohm 3'b101: 25ohm
11	RO	0x0	reserved
10:8	RW	0x6	gpio4d2_ds GPIO4D2 DS control Driver Strength Selection 3'b000: 100ohm 3'b100: 66ohm 3'b010: 50ohm 3'b110: 40ohm 3'b001: 33ohm 3'b101: 25ohm
7	RO	0x0	reserved
6:4	RW	0x6	gpio4d1_ds GPIO4D1 DS control Driver Strength Selection 3'b000: 100ohm 3'b100: 66ohm 3'b010: 50ohm 3'b110: 40ohm 3'b001: 33ohm 3'b101: 25ohm
3	RO	0x0	reserved
2:0	RW	0x6	gpio4d0_ds GPIO4D0 DS control Driver Strength Selection 3'b000: 100ohm 3'b100: 66ohm 3'b010: 50ohm 3'b110: 40ohm 3'b001: 33ohm 3'b101: 25ohm

#### **VCCIO2 IOC GPIO4D DS H**

Address: Operational Base + offset (0x009C)

Bit	Attr	Reset Value	Description
31:16	WO	0x0000	write_enable Write enable for lower 16bits, each bit is individual 1'b0: Write access disable 1'b1: Write access enable
15:7	RO	0x000	reserved
6:4	RW	0x6	gpio4d5_ds GPIO4D5 DS control Driver Strength Selection 3'b000: 100ohm 3'b100: 66ohm 3'b010: 50ohm 3'b110: 40ohm 3'b001: 33ohm 3'b101: 25ohm
3	RO	0x0	reserved
2:0	RW	0x6	gpio4d4_ds GPIO4D4 DS control Driver Strength Selection 3'b000: 100ohm 3'b100: 66ohm 3'b010: 50ohm 3'b110: 40ohm 3'b001: 33ohm 3'b101: 25ohm

**VCCIO2\_IOC\_GPIO4D\_P**

Address: Operational Base + offset (0x014C)

Bit	Attr	Reset Value	Description
31:16	WO	0x0000	write_enable Write enable for lower 16bits, each bit is individual 1'b0: Write access disable 1'b1: Write access enable
15:12	RO	0x0	reserved
11	RW	0x0	gpio4d5_ps GPIO4D5 PS control Weak PU/PD Resistor Selection 1'b0: PD Selection 1'b1: PU Selection
10	RW	0x1	gpio4d5_pe GPIO4D5 PE control Active High Weak PU/PD Resistor Enable 1'b0: PU/PD Disable 1'b1: PU/PD Enable
9	RW	0x1	gpio4d4_ps GPIO4D4 PS control Weak PU/PD Resistor Selection 1'b0: PD Selection 1'b1: PU Selection
8	RW	0x1	gpio4d4_pe GPIO4D4 PE control Active High Weak PU/PD Resistor Enable 1'b0: PU/PD Disable 1'b1: PU/PD Enable

Bit	Attr	Reset Value	Description
7	RW	0x1	gpio4d3_ps GPIO4D3 PS control Weak PU/PD Resistor Selection 1'b0: PD Selection 1'b1: PU Selection
6	RW	0x1	gpio4d3_pe GPIO4D3 PE control Active High Weak PU/PD Resistor Enable 1'b0: PU/PD Disable 1'b1: PU/PD Enable
5	RW	0x1	gpio4d2_ps GPIO4D2 PS control Weak PU/PD Resistor Selection 1'b0: PD Selection 1'b1: PU Selection
4	RW	0x1	gpio4d2_pe GPIO4D2 PE control Active High Weak PU/PD Resistor Enable 1'b0: PU/PD Disable 1'b1: PU/PD Enable
3	RW	0x1	gpio4d1_ps GPIO4D1 PS control Weak PU/PD Resistor Selection 1'b0: PD Selection 1'b1: PU Selection
2	RW	0x1	gpio4d1_pe GPIO4D1 PE control Active High Weak PU/PD Resistor Enable 1'b0: PU/PD Disable 1'b1: PU/PD Enable
1	RW	0x1	gpio4d0_ps GPIO4D0 PS control Weak PU/PD Resistor Selection 1'b0: PD Selection 1'b1: PU Selection
0	RW	0x1	gpio4d0_pe GPIO4D0 PE control Active High Weak PU/PD Resistor Enable 1'b0: PU/PD Disable 1'b1: PU/PD Enable

**VCCIO2 IOC GPIO4D IE**

Address: Operational Base + offset (0x01BC)

Bit	Attr	Reset Value	Description
31:16	WO	0x0000	write_enable Write enable for lower 16bits, each bit is individual 1'b0: Write access disable 1'b1: Write access enable
15:6	RO	0x000	reserved
5	RW	0x1	gpio4d5_ie GPIO4D5 IE control Active High input buffer enable
4	RW	0x1	gpio4d4_ie GPIO4D4 IE control Active High input buffer enable



Bit	Attr	Reset Value	Description
3	RW	0x1	gpio4d3_ie GPIO4D3 IE control Active High input buffer enable
2	RW	0x1	gpio4d2_ie GPIO4D2 IE control Active High input buffer enable
1	RW	0x1	gpio4d1_ie GPIO4D1 IE control Active High input buffer enable
0	RW	0x1	gpio4d0_ie GPIO4D0 IE control Active High input buffer enable

**VCCIO2 IOC GPIO4D SMT**

Address: Operational Base + offset (0x024C)

Bit	Attr	Reset Value	Description
31:16	WO	0x0000	write_enable Write enable for lower 16bits, each bit is individual 1'b0: Write access disable 1'b1: Write access enable
15:6	RO	0x000	reserved
5	RW	0x0	gpio4d5_smt GPIO4D5 SMT control CMOS/Schmitt Trigger Selection 1'b0: CMOS Input 1'b1: Schmitt Trigger input
4	RW	0x0	gpio4d4_smt GPIO4D4 SMT control CMOS/Schmitt Trigger Selection 1'b0: CMOS Input 1'b1: Schmitt Trigger input
3	RW	0x0	gpio4d3_smt GPIO4D3 SMT control CMOS/Schmitt Trigger Selection 1'b0: CMOS Input 1'b1: Schmitt Trigger input
2	RW	0x0	gpio4d2_smt GPIO4D2 SMT control CMOS/Schmitt Trigger Selection 1'b0: CMOS Input 1'b1: Schmitt Trigger input
1	RW	0x0	gpio4d1_smt GPIO4D1 SMT control CMOS/Schmitt Trigger Selection 1'b0: CMOS Input 1'b1: Schmitt Trigger input
0	RW	0x0	gpio4d0_smt GPIO4D0 SMT control CMOS/Schmitt Trigger Selection 1'b0: CMOS Input 1'b1: Schmitt Trigger input

**VCCIO2 IOC GPIO PDIS**

Address: Operational Base + offset (0x0284)

Bit	Attr	Reset Value	Description
31:16	WO	0x0000	write_enable Write enable for lower 16bits, each bit is individual 1'b0: Write access disable 1'b1: Write access enable
15:1	RO	0x0000	reserved
0	RW	0x0	vccio2_pull_dis when 1'b1, disable VCCIO2 GPIO pull up/down when output enable

## 6.31 VCCIO6\_IOC Register Description

### 6.31.1 Registers Summary

Name	Offset	Size	Reset Value	Description
VCCIO6_IOC_GPIO4A_DS_L	0x0080	W	0x00006666	GPIO4A Driver Strength Control Low bits
VCCIO6_IOC_GPIO4A_DS_H	0x0084	W	0x00006666	GPIO4A Driver Strength Control High bits
VCCIO6_IOC_GPIO4B_DS_L	0x0088	W	0x00006666	GPIO4B Driver Strength Control Low bits
VCCIO6_IOC_GPIO4B_DS_H	0x008C	W	0x00006666	GPIO4B Driver Strength Control High bits
VCCIO6_IOC_GPIO4C_DS_L	0x0090	W	0x00000066	GPIO4C Driver Strength Control Low bits
VCCIO6_IOC_GPIO4A_P	0x0140	W	0x00005555	GPIO4A Pull-up/down Control
VCCIO6_IOC_GPIO4B_P	0x0144	W	0x0000D7FD	GPIO4B Pull-up/down Control
VCCIO6_IOC_GPIO4C_P	0x0148	W	0x00000007	GPIO4C Pull-up/down Control
VCCIO6_IOC_GPIO4A_IE	0x01B0	W	0x000000FF	GPIO4A Input Enable Control
VCCIO6_IOC_GPIO4B_IE	0x01B4	W	0x000000FF	GPIO4B Input Enable Control
VCCIO6_IOC_GPIO4C_IE	0x01B8	W	0x00000003	GPIO4C Input Enable Control
VCCIO6_IOC_GPIO4A_SM_T	0x0240	W	0x00000000	GPIO4A Schmitt Trigger Control
VCCIO6_IOC_GPIO4B_SM_T	0x0244	W	0x00000000	GPIO4B Schmitt Trigger Control
VCCIO6_IOC_GPIO4C_SM_T	0x0248	W	0x00000000	GPIO4C Schmitt Trigger Control
VCCIO6_IOC_GPIO_PDIS	0x028C	W	0x00000000	Auto Pull-up/down disable Control

Notes: **Size:** **B**- Byte (8 bits) access, **HW**- Half WORD (16 bits) access, **W**-WORD (32 bits) access, **DW**- Double WORD (64 bits) access

### 6.31.2 Detail Registers Description

#### VCCIO6\_IOC\_GPIO4A\_DS\_L

Address: Operational Base + offset (0x0080)

Bit	Attr	Reset Value	Description
31:16	WO	0x0000	write_enable Write enable for lower 16bits, each bit is individual 1'b0: Write access disable 1'b1: Write access enable
15	RO	0x0	reserved

Bit	Attr	Reset Value	Description
14:12	RW	0x6	gpio4a3_ds GPIO4A3 DS control Driver Strength Selection 3'b000: 100ohm 3'b100: 66ohm 3'b010: 50ohm 3'b110: 40ohm 3'b001: 33ohm 3'b101: 25ohm
11	RO	0x0	reserved
10:8	RW	0x6	gpio4a2_ds GPIO4A2 DS control Driver Strength Selection 3'b000: 100ohm 3'b100: 66ohm 3'b010: 50ohm 3'b110: 40ohm 3'b001: 33ohm 3'b101: 25ohm
7	RO	0x0	reserved
6:4	RW	0x6	gpio4a1_ds GPIO4A1 DS control Driver Strength Selection 3'b000: 100ohm 3'b100: 66ohm 3'b010: 50ohm 3'b110: 40ohm 3'b001: 33ohm 3'b101: 25ohm
3	RO	0x0	reserved
2:0	RW	0x6	gpio4a0_ds GPIO4A0 DS control Driver Strength Selection 3'b000: 100ohm 3'b100: 66ohm 3'b010: 50ohm 3'b110: 40ohm 3'b001: 33ohm 3'b101: 25ohm

**VCCIO6 IOC GPIO4A DS H**

Address: Operational Base + offset (0x0084)

Bit	Attr	Reset Value	Description
31:16	WO	0x0000	write_enable Write enable for lower 16bits, each bit is individual 1'b0: Write access disable 1'b1: Write access enable
15	RO	0x0	reserved

Bit	Attr	Reset Value	Description
14:12	RW	0x6	gpio4a7_ds GPIO4A7 DS control Driver Strength Selection 3'b000: 100ohm 3'b100: 66ohm 3'b010: 50ohm 3'b110: 40ohm 3'b001: 33ohm 3'b101: 25ohm
11	RO	0x0	reserved
10:8	RW	0x6	gpio4a6_ds GPIO4A6 DS control Driver Strength Selection 3'b000: 100ohm 3'b100: 66ohm 3'b010: 50ohm 3'b110: 40ohm 3'b001: 33ohm 3'b101: 25ohm
7	RO	0x0	reserved
6:4	RW	0x6	gpio4a5_ds GPIO4A5 DS control Driver Strength Selection 3'b000: 100ohm 3'b100: 66ohm 3'b010: 50ohm 3'b110: 40ohm 3'b001: 33ohm 3'b101: 25ohm
3	RO	0x0	reserved
2:0	RW	0x6	gpio4a4_ds GPIO4A4 DS control Driver Strength Selection 3'b000: 100ohm 3'b100: 66ohm 3'b010: 50ohm 3'b110: 40ohm 3'b001: 33ohm 3'b101: 25ohm

**VCCIO6 IOC GPIO4B DS L**

Address: Operational Base + offset (0x0088)

Bit	Attr	Reset Value	Description
31:16	WO	0x0000	write_enable Write enable for lower 16bits, each bit is individual 1'b0: Write access disable 1'b1: Write access enable
15	RO	0x0	reserved

Bit	Attr	Reset Value	Description
14:12	RW	0x6	gpio4b3_ds GPIO4B3 DS control Driver Strength Selection 3'b000: 100ohm 3'b100: 66ohm 3'b010: 50ohm 3'b110: 40ohm 3'b001: 33ohm 3'b101: 25ohm
11	RO	0x0	reserved
10:8	RW	0x6	gpio4b2_ds GPIO4B2 DS control Driver Strength Selection 3'b000: 100ohm 3'b100: 66ohm 3'b010: 50ohm 3'b110: 40ohm 3'b001: 33ohm 3'b101: 25ohm
7	RO	0x0	reserved
6:4	RW	0x6	gpio4b1_ds GPIO4B1 DS control Driver Strength Selection 3'b000: 100ohm 3'b100: 66ohm 3'b010: 50ohm 3'b110: 40ohm 3'b001: 33ohm 3'b101: 25ohm
3	RO	0x0	reserved
2:0	RW	0x6	gpio4b0_ds GPIO4B0 DS control Driver Strength Selection 3'b000: 100ohm 3'b100: 66ohm 3'b010: 50ohm 3'b110: 40ohm 3'b001: 33ohm 3'b101: 25ohm

**VCCIO6 IOC GPIO4B DS H**

Address: Operational Base + offset (0x008C)

Bit	Attr	Reset Value	Description
31:16	WO	0x0000	write_enable Write enable for lower 16bits, each bit is individual 1'b0: Write access disable 1'b1: Write access enable
15	RO	0x0	reserved

Bit	Attr	Reset Value	Description
14:12	RW	0x6	gpio4b7_ds GPIO4B7 DS control Driver Strength Selection 3'b000: 100ohm 3'b100: 66ohm 3'b010: 50ohm 3'b110: 40ohm 3'b001: 33ohm 3'b101: 25ohm
11	RO	0x0	reserved
10:8	RW	0x6	gpio4b6_ds GPIO4B6 DS control Driver Strength Selection 3'b000: 100ohm 3'b100: 66ohm 3'b010: 50ohm 3'b110: 40ohm 3'b001: 33ohm 3'b101: 25ohm
7	RO	0x0	reserved
6:4	RW	0x6	gpio4b5_ds GPIO4B5 DS control Driver Strength Selection 3'b000: 100ohm 3'b100: 66ohm 3'b010: 50ohm 3'b110: 40ohm 3'b001: 33ohm 3'b101: 25ohm
3	RO	0x0	reserved
2:0	RW	0x6	gpio4b4_ds GPIO4B4 DS control Driver Strength Selection 3'b000: 100ohm 3'b100: 66ohm 3'b010: 50ohm 3'b110: 40ohm 3'b001: 33ohm 3'b101: 25ohm

**VCCIO6 IOC GPIO4C DS L**

Address: Operational Base + offset (0x0090)

Bit	Attr	Reset Value	Description
31:16	WO	0x0000	write_enable Write enable for lower 16bits, each bit is individual 1'b0: Write access disable 1'b1: Write access enable
15:7	RO	0x000	reserved

Bit	Attr	Reset Value	Description
6:4	RW	0x6	gpio4c1_ds GPIO4C1 DS control Driver Strength Selection 3'b000: 100ohm 3'b100: 66ohm 3'b010: 50ohm 3'b110: 40ohm 3'b001: 33ohm 3'b101: 25ohm
3	RO	0x0	reserved
2:0	RW	0x6	gpio4c0_ds GPIO4C0 DS control Driver Strength Selection 3'b000: 100ohm 3'b100: 66ohm 3'b010: 50ohm 3'b110: 40ohm 3'b001: 33ohm 3'b101: 25ohm

**VCCIO6 IOC GPIO4A P**

Address: Operational Base + offset (0x0140)

Bit	Attr	Reset Value	Description
31:16	WO	0x0000	write_enable Write enable for lower 16bits, each bit is individual 1'b0: Write access disable 1'b1: Write access enable
15	RW	0x0	gpio4a7_ps GPIO4A7 PS control Weak PU/PD Resistor Selection 1'b0: PD Selection 1'b1: PU Selection
14	RW	0x1	gpio4a7_pe GPIO4A7 PE control Active High Weak PU/PD Resistor Enable 1'b0: PU/PD Disable 1'b1: PU/PD Enable
13	RW	0x0	gpio4a6_ps GPIO4A6 PS control Weak PU/PD Resistor Selection 1'b0: PD Selection 1'b1: PU Selection
12	RW	0x1	gpio4a6_pe GPIO4A6 PE control Active High Weak PU/PD Resistor Enable 1'b0: PU/PD Disable 1'b1: PU/PD Enable
11	RW	0x0	gpio4a5_ps GPIO4A5 PS control Weak PU/PD Resistor Selection 1'b0: PD Selection 1'b1: PU Selection

Bit	Attr	Reset Value	Description
10	RW	0x1	gpio4a5_pe GPIO4A5 PE control Active High Weak PU/PD Resistor Enable 1'b0: PU/PD Disable 1'b1: PU/PD Enable
9	RW	0x0	gpio4a4_ps GPIO4A4 PS control Weak PU/PD Resistor Selection 1'b0: PD Selection 1'b1: PU Selection
8	RW	0x1	gpio4a4_pe GPIO4A4 PE control Active High Weak PU/PD Resistor Enable 1'b0: PU/PD Disable 1'b1: PU/PD Enable
7	RW	0x0	gpio4a3_ps GPIO4A3 PS control Weak PU/PD Resistor Selection 1'b0: PD Selection 1'b1: PU Selection
6	RW	0x1	gpio4a3_pe GPIO4A3 PE control Active High Weak PU/PD Resistor Enable 1'b0: PU/PD Disable 1'b1: PU/PD Enable
5	RW	0x0	gpio4a2_ps GPIO4A2 PS control Weak PU/PD Resistor Selection 1'b0: PD Selection 1'b1: PU Selection
4	RW	0x1	gpio4a2_pe GPIO4A2 PE control Active High Weak PU/PD Resistor Enable 1'b0: PU/PD Disable 1'b1: PU/PD Enable
3	RW	0x0	gpio4a1_ps GPIO4A1 PS control Weak PU/PD Resistor Selection 1'b0: PD Selection 1'b1: PU Selection
2	RW	0x1	gpio4a1_pe GPIO4A1 PE control Active High Weak PU/PD Resistor Enable 1'b0: PU/PD Disable 1'b1: PU/PD Enable
1	RW	0x0	gpio4a0_ps GPIO4A0 PS control Weak PU/PD Resistor Selection 1'b0: PD Selection 1'b1: PU Selection
0	RW	0x1	gpio4a0_pe GPIO4A0 PE control Active High Weak PU/PD Resistor Enable 1'b0: PU/PD Disable 1'b1: PU/PD Enable



**VCCIO6 IOC GPIO4B P**

Address: Operational Base + offset (0x0144)

Bit	Attr	Reset Value	Description
31:16	WO	0x0000	write_enable Write enable for lower 16bits, each bit is individual 1'b0: Write access disable 1'b1: Write access enable
15	RW	0x1	gpio4b7_ps GPIO4B7 PS control Weak PU/PD Resistor Selection 1'b0: PD Selection 1'b1: PU Selection
14	RW	0x1	gpio4b7_pe GPIO4B7 PE control Active High Weak PU/PD Resistor Enable 1'b0: PU/PD Disable 1'b1: PU/PD Enable
13	RW	0x0	gpio4b6_ps GPIO4B6 PS control Weak PU/PD Resistor Selection 1'b0: PD Selection 1'b1: PU Selection
12	RW	0x1	gpio4b6_pe GPIO4B6 PE control Active High Weak PU/PD Resistor Enable 1'b0: PU/PD Disable 1'b1: PU/PD Enable
11	RW	0x0	gpio4b5_ps GPIO4B5 PS control Weak PU/PD Resistor Selection 1'b0: PD Selection 1'b1: PU Selection
10	RW	0x1	gpio4b5_pe GPIO4B5 PE control Active High Weak PU/PD Resistor Enable 1'b0: PU/PD Disable 1'b1: PU/PD Enable
9	RW	0x1	gpio4b4_ps GPIO4B4 PS control Weak PU/PD Resistor Selection 1'b0: PD Selection 1'b1: PU Selection
8	RW	0x1	gpio4b4_pe GPIO4B4 PE control Active High Weak PU/PD Resistor Enable 1'b0: PU/PD Disable 1'b1: PU/PD Enable
7	RW	0x1	gpio4b3_ps GPIO4B3 PS control Weak PU/PD Resistor Selection 1'b0: PD Selection 1'b1: PU Selection

Bit	Attr	Reset Value	Description
6	RW	0x1	gpio4b3_pe GPIO4B3 PE control Active High Weak PU/PD Resistor Enable 1'b0: PU/PD Disable 1'b1: PU/PD Enable
5	RW	0x1	gpio4b2_ps GPIO4B2 PS control Weak PU/PD Resistor Selection 1'b0: PD Selection 1'b1: PU Selection
4	RW	0x1	gpio4b2_pe GPIO4B2 PE control Active High Weak PU/PD Resistor Enable 1'b0: PU/PD Disable 1'b1: PU/PD Enable
3	RW	0x1	gpio4b1_ps GPIO4B1 PS control Weak PU/PD Resistor Selection 1'b0: PD Selection 1'b1: PU Selection
2	RW	0x1	gpio4b1_pe GPIO4B1 PE control Active High Weak PU/PD Resistor Enable 1'b0: PU/PD Disable 1'b1: PU/PD Enable
1	RW	0x0	gpio4b0_ps GPIO4B0 PS control Weak PU/PD Resistor Selection 1'b0: PD Selection 1'b1: PU Selection
0	RW	0x1	gpio4b0_pe GPIO4B0 PE control Active High Weak PU/PD Resistor Enable 1'b0: PU/PD Disable 1'b1: PU/PD Enable

**VCCIO6 IOC GPIO4C P**

Address: Operational Base + offset (0x0148)

Bit	Attr	Reset Value	Description
31:16	WO	0x0000	write_enable Write enable for lower 16bits, each bit is individual 1'b0: Write access disable 1'b1: Write access enable
15:4	RO	0x000	reserved
3	RW	0x0	gpio4c1_ps GPIO4C1 PS control Weak PU/PD Resistor Selection 1'b0: PD Selection 1'b1: PU Selection
2	RW	0x1	gpio4c1_pe GPIO4C1 PE control Active High Weak PU/PD Resistor Enable 1'b0: PU/PD Disable 1'b1: PU/PD Enable

Bit	Attr	Reset Value	Description
1	RW	0x1	gpio4c0_ps GPIO4C0 PS control Weak PU/PD Resistor Selection 1'b0: PD Selection 1'b1: PU Selection
0	RW	0x1	gpio4c0_pe GPIO4C0 PE control Active High Weak PU/PD Resistor Enable 1'b0: PU/PD Disable 1'b1: PU/PD Enable

**VCCIO6 IOC GPIO4A IE**

Address: Operational Base + offset (0x01B0)

Bit	Attr	Reset Value	Description
31:16	WO	0x0000	write_enable Write enable for lower 16bits, each bit is individual 1'b0: Write access disable 1'b1: Write access enable
15:8	RO	0x00	reserved
7	RW	0x1	gpio4a7_ie GPIO4A7 IE control Active High input buffer enable
6	RW	0x1	gpio4a6_ie GPIO4A6 IE control Active High input buffer enable
5	RW	0x1	gpio4a5_ie GPIO4A5 IE control Active High input buffer enable
4	RW	0x1	gpio4a4_ie GPIO4A4 IE control Active High input buffer enable
3	RW	0x1	gpio4a3_ie GPIO4A3 IE control Active High input buffer enable
2	RW	0x1	gpio4a2_ie GPIO4A2 IE control Active High input buffer enable
1	RW	0x1	gpio4a1_ie GPIO4A1 IE control Active High input buffer enable
0	RW	0x1	gpio4a0_ie GPIO4A0 IE control Active High input buffer enable

**VCCIO6 IOC GPIO4B IE**

Address: Operational Base + offset (0x01B4)

Bit	Attr	Reset Value	Description
31:16	WO	0x0000	write_enable Write enable for lower 16bits, each bit is individual 1'b0: Write access disable 1'b1: Write access enable
15:8	RO	0x00	reserved
7	RW	0x1	gpio4b7_ie GPIO4B7 IE control Active High input buffer enable

Bit	Attr	Reset Value	Description
6	RW	0x1	gpio4b6_ie GPIO4B6 IE control Active High input buffer enable
5	RW	0x1	gpio4b5_ie GPIO4B5 IE control Active High input buffer enable
4	RW	0x1	gpio4b4_ie GPIO4B4 IE control Active High input buffer enable
3	RW	0x1	gpio4b3_ie GPIO4B3 IE control Active High input buffer enable
2	RW	0x1	gpio4b2_ie GPIO4B2 IE control Active High input buffer enable
1	RW	0x1	gpio4b1_ie GPIO4B1 IE control Active High input buffer enable
0	RW	0x1	gpio4b0_ie GPIO4B0 IE control Active High input buffer enable

**VCCIO6 IOC GPIO4C IE**

Address: Operational Base + offset (0x01B8)

Bit	Attr	Reset Value	Description
31:16	WO	0x0000	write_enable Write enable for lower 16bits, each bit is individual 1'b0: Write access disable 1'b1: Write access enable
15:2	RO	0x0000	reserved
1	RW	0x1	gpio4c1_ie GPIO4C1 IE control Active High input buffer enable
0	RW	0x1	gpio4c0_ie GPIO4C0 IE control Active High input buffer enable

**VCCIO6 IOC GPIO4A SMT**

Address: Operational Base + offset (0x0240)

Bit	Attr	Reset Value	Description
31:16	WO	0x0000	write_enable Write enable for lower 16bits, each bit is individual 1'b0: Write access disable 1'b1: Write access enable
15:8	RO	0x00	reserved
7	RW	0x0	gpio4a7_smt GPIO4A7 SMT control CMOS/Schmitt Trigger Selection 1'b0: CMOS Input 1'b1: Schmitt Trigger input
6	RW	0x0	gpio4a6_smt GPIO4A6 SMT control CMOS/Schmitt Trigger Selection 1'b0: CMOS Input 1'b1: Schmitt Trigger input

Bit	Attr	Reset Value	Description
5	RW	0x0	gpio4a5_smt GPIO4A5 SMT control CMOS/Schmitt Trigger Selection 1'b0: CMOS Input 1'b1: Schmitt Trigger input
4	RW	0x0	gpio4a4_smt GPIO4A4 SMT control CMOS/Schmitt Trigger Selection 1'b0: CMOS Input 1'b1: Schmitt Trigger input
3	RW	0x0	gpio4a3_smt GPIO4A3 SMT control CMOS/Schmitt Trigger Selection 1'b0: CMOS Input 1'b1: Schmitt Trigger input
2	RW	0x0	gpio4a2_smt GPIO4A2 SMT control CMOS/Schmitt Trigger Selection 1'b0: CMOS Input 1'b1: Schmitt Trigger input
1	RW	0x0	gpio4a1_smt GPIO4A1 SMT control CMOS/Schmitt Trigger Selection 1'b0: CMOS Input 1'b1: Schmitt Trigger input
0	RW	0x0	gpio4a0_smt GPIO4A0 SMT control CMOS/Schmitt Trigger Selection 1'b0: CMOS Input 1'b1: Schmitt Trigger input

**VCCIO6 IOC GPIO4B SMT**

Address: Operational Base + offset (0x0244)

Bit	Attr	Reset Value	Description
31:16	WO	0x0000	write_enable Write enable for lower 16bits, each bit is individual 1'b0: Write access disable 1'b1: Write access enable
15:8	RO	0x00	reserved
7	RW	0x0	gpio4b7_smt GPIO4B7 SMT control CMOS/Schmitt Trigger Selection 1'b0: CMOS Input 1'b1: Schmitt Trigger input
6	RW	0x0	gpio4b6_smt GPIO4B6 SMT control CMOS/Schmitt Trigger Selection 1'b0: CMOS Input 1'b1: Schmitt Trigger input
5	RW	0x0	gpio4b5_smt GPIO4B5 SMT control CMOS/Schmitt Trigger Selection 1'b0: CMOS Input 1'b1: Schmitt Trigger input

Bit	Attr	Reset Value	Description
4	RW	0x0	gpio4b4_smt GPIO4B4 SMT control CMOS/Schmitt Trigger Selection 1'b0: CMOS Input 1'b1: Schmitt Trigger input
3	RW	0x0	gpio4b3_smt GPIO4B3 SMT control CMOS/Schmitt Trigger Selection 1'b0: CMOS Input 1'b1: Schmitt Trigger input
2	RW	0x0	gpio4b2_smt GPIO4B2 SMT control CMOS/Schmitt Trigger Selection 1'b0: CMOS Input 1'b1: Schmitt Trigger input
1	RW	0x0	gpio4b1_smt GPIO4B1 SMT control CMOS/Schmitt Trigger Selection 1'b0: CMOS Input 1'b1: Schmitt Trigger input
0	RW	0x0	gpio4b0_smt GPIO4B0 SMT control CMOS/Schmitt Trigger Selection 1'b0: CMOS Input 1'b1: Schmitt Trigger input

**VCCIO6 IOC GPIO4C SMT**

Address: Operational Base + offset (0x0248)

Bit	Attr	Reset Value	Description
31:16	WO	0x0000	write_enable Write enable for lower 16bits, each bit is individual 1'b0: Write access disable 1'b1: Write access enable
15:2	RO	0x0000	reserved
1	RW	0x0	gpio4c1_smt GPIO4C1 SMT control CMOS/Schmitt Trigger Selection 1'b0: CMOS Input 1'b1: Schmitt Trigger input
0	RW	0x0	gpio4c0_smt GPIO4C0 SMT control CMOS/Schmitt Trigger Selection 1'b0: CMOS Input 1'b1: Schmitt Trigger input

**VCCIO6 IOC GPIO PDIS**

Address: Operational Base + offset (0x028C)

Bit	Attr	Reset Value	Description
31:16	WO	0x0000	write_enable Write enable for lower 16bits, each bit is individual 1'b0: Write access disable 1'b1: Write access enable
15:1	RO	0x0000	reserved

Bit	Attr	Reset Value	Description
0	RW	0x0	vccio6_pull_dis when 1'b1, disable VCCIO6 GPIO pull up/down when output enable

## 6.32 EMMC\_IOC Register Description

### 6.32.1 Registers Summary

Name	Offset	Size	Reset Value	Description
EMMC_IOC_GPIO2A_DS_L	0x0040	W	0x00006666	GPIO2A Driver Strength Control Low bits
EMMC_IOC_GPIO2D_DS_L	0x0058	W	0x00006666	GPIO2D Driver Strength Control Low bits
EMMC_IOC_GPIO2D_DS_H	0x005C	W	0x00006666	GPIO2D Driver Strength Control High bits
EMMC_IOC_GPIO2A_P	0x0120	W	0x00000057	GPIO2A Pull-up/down Control
EMMC_IOC_GPIO2D_P	0x012C	W	0x0000FFFF	GPIO2D Pull-up/down Control
EMMC_IOC_GPIO2A_IE	0x0190	W	0x0000000F	GPIO2A Input Enable Control
EMMC_IOC_GPIO2D_IE	0x019C	W	0x000000FF	GPIO2D Input Enable Control
EMMC_IOC_GPIO2A_SMT	0x0220	W	0x00000000	GPIO2A Schmitt Trigger Control
EMMC_IOC_GPIO2D_SMT	0x022C	W	0x00000000	GPIO2D Schmitt Trigger Control
EMMC_IOC_GPIO_PDIS	0x0290	W	0x00000000	Auto Pull-up/down disable Control

Notes: **Size:** **B**- Byte (8 bits) access, **HW**- Half WORD (16 bits) access, **W**-WORD (32 bits) access, **DW**- Double WORD (64 bits) access

### 6.32.2 Detail Registers Description

#### EMMC\_IOC\_GPIO2A\_DS\_L

Address: Operational Base + offset (0x0040)

Bit	Attr	Reset Value	Description
31:16	WO	0x0000	write_enable Write enable for lower 16bits, each bit is individual 1'b0: Write access disable 1'b1: Write access enable
15	RO	0x0	reserved
14:12	RW	0x6	gpio2a3_ds GPIO2A3 DS control Driver Strength Selection 3'b000: 100ohm 3'b100: 66ohm 3'b010: 50ohm 3'b110: 40ohm 3'b001: 33ohm 3'b101: 25ohm
11	RO	0x0	reserved
10:8	RW	0x6	gpio2a2_ds GPIO2A2 DS control Driver Strength Selection 3'b000: 100ohm 3'b100: 66ohm 3'b010: 50ohm 3'b110: 40ohm 3'b001: 33ohm 3'b101: 25ohm

Bit	Attr	Reset Value	Description
7	RO	0x0	reserved
6:4	RW	0x6	gpio2a1_ds GPIO2A1 DS control Driver Strength Selection 3'b000: 100ohm 3'b100: 66ohm 3'b010: 50ohm 3'b110: 40ohm 3'b001: 33ohm 3'b101: 25ohm
3	RO	0x0	reserved
2:0	RW	0x6	gpio2a0_ds GPIO2A0 DS control Driver Strength Selection 3'b000: 100ohm 3'b100: 66ohm 3'b010: 50ohm 3'b110: 40ohm 3'b001: 33ohm 3'b101: 25ohm

**EMMC\_IOC\_GPIO2D\_DS\_L**

Address: Operational Base + offset (0x0058)

Bit	Attr	Reset Value	Description
31:16	WO	0x0000	write_enable Write enable for lower 16bits, each bit is individual 1'b0: Write access disable 1'b1: Write access enable
15	RO	0x0	reserved
14:12	RW	0x6	gpio2d3_ds GPIO2D3 DS control Driver Strength Selection 3'b000: 100ohm 3'b100: 66ohm 3'b010: 50ohm 3'b110: 40ohm 3'b001: 33ohm 3'b101: 25ohm
11	RO	0x0	reserved
10:8	RW	0x6	gpio2d2_ds GPIO2D2 DS control Driver Strength Selection 3'b000: 100ohm 3'b100: 66ohm 3'b010: 50ohm 3'b110: 40ohm 3'b001: 33ohm 3'b101: 25ohm
7	RO	0x0	reserved



Bit	Attr	Reset Value	Description
6:4	RW	0x6	gpio2d1_ds GPIO2D1 DS control Driver Strength Selection 3'b000: 100ohm 3'b100: 66ohm 3'b010: 50ohm 3'b110: 40ohm 3'b001: 33ohm 3'b101: 25ohm
3	RO	0x0	reserved
2:0	RW	0x6	gpio2d0_ds GPIO2D0 DS control Driver Strength Selection 3'b000: 100ohm 3'b100: 66ohm 3'b010: 50ohm 3'b110: 40ohm 3'b001: 33ohm 3'b101: 25ohm

**EMMC IOC GPIO2D DS H**

Address: Operational Base + offset (0x005C)

Bit	Attr	Reset Value	Description
31:16	WO	0x0000	write_enable Write enable for lower 16bits, each bit is individual 1'b0: Write access disable 1'b1: Write access enable
15	RO	0x0	reserved
14:12	RW	0x6	gpio2d7_ds GPIO2D7 DS control Driver Strength Selection 3'b000: 100ohm 3'b100: 66ohm 3'b010: 50ohm 3'b110: 40ohm 3'b001: 33ohm 3'b101: 25ohm
11	RO	0x0	reserved
10:8	RW	0x6	gpio2d6_ds GPIO2D6 DS control Driver Strength Selection 3'b000: 100ohm 3'b100: 66ohm 3'b010: 50ohm 3'b110: 40ohm 3'b001: 33ohm 3'b101: 25ohm
7	RO	0x0	reserved

Bit	Attr	Reset Value	Description
6:4	RW	0x6	gpio2d5_ds GPIO2D5 DS control Driver Strength Selection 3'b000: 100ohm 3'b100: 66ohm 3'b010: 50ohm 3'b110: 40ohm 3'b001: 33ohm 3'b101: 25ohm
3	RO	0x0	reserved
2:0	RW	0x6	gpio2d4_ds GPIO2D4 DS control Driver Strength Selection 3'b000: 100ohm 3'b100: 66ohm 3'b010: 50ohm 3'b110: 40ohm 3'b001: 33ohm 3'b101: 25ohm

**EMMC IOC GPIO2A P**

Address: Operational Base + offset (0x0120)

Bit	Attr	Reset Value	Description
31:16	WO	0x0000	write_enable Write enable for lower 16bits, each bit is individual 1'b0: Write access disable 1'b1: Write access enable
15:8	RO	0x00	reserved
7	RW	0x0	gpio2a3_ps GPIO2A3 PS control Weak PU/PD Resistor Selection 1'b0: PD Selection 1'b1: PU Selection
6	RW	0x1	gpio2a3_pe GPIO2A3 PE control Active High Weak PU/PD Resistor Enable 1'b0: PU/PD Disable 1'b1: PU/PD Enable
5	RW	0x0	gpio2a2_ps GPIO2A2 PS control Weak PU/PD Resistor Selection 1'b0: PD Selection 1'b1: PU Selection
4	RW	0x1	gpio2a2_pe GPIO2A2 PE control Active High Weak PU/PD Resistor Enable 1'b0: PU/PD Disable 1'b1: PU/PD Enable
3	RW	0x0	gpio2a1_ps GPIO2A1 PS control Weak PU/PD Resistor Selection 1'b0: PD Selection 1'b1: PU Selection

Bit	Attr	Reset Value	Description
2	RW	0x1	gpio2a1_pe GPIO2A1 PE control Active High Weak PU/PD Resistor Enable 1'b0: PU/PD Disable 1'b1: PU/PD Enable
1	RW	0x1	gpio2a0_ps GPIO2A0 PS control Weak PU/PD Resistor Selection 1'b0: PD Selection 1'b1: PU Selection
0	RW	0x1	gpio2a0_pe GPIO2A0 PE control Active High Weak PU/PD Resistor Enable 1'b0: PU/PD Disable 1'b1: PU/PD Enable

**EMMC IOC GPIO2D P**

Address: Operational Base + offset (0x012C)

Bit	Attr	Reset Value	Description
31:16	WO	0x0000	write_enable Write enable for lower 16bits, each bit is individual 1'b0: Write access disable 1'b1: Write access enable
15	RW	0x1	gpio2d7_ps GPIO2D7 PS control Weak PU/PD Resistor Selection 1'b0: PD Selection 1'b1: PU Selection
14	RW	0x1	gpio2d7_pe GPIO2D7 PE control Active High Weak PU/PD Resistor Enable 1'b0: PU/PD Disable 1'b1: PU/PD Enable
13	RW	0x1	gpio2d6_ps GPIO2D6 PS control Weak PU/PD Resistor Selection 1'b0: PD Selection 1'b1: PU Selection
12	RW	0x1	gpio2d6_pe GPIO2D6 PE control Active High Weak PU/PD Resistor Enable 1'b0: PU/PD Disable 1'b1: PU/PD Enable
11	RW	0x1	gpio2d5_ps GPIO2D5 PS control Weak PU/PD Resistor Selection 1'b0: PD Selection 1'b1: PU Selection
10	RW	0x1	gpio2d5_pe GPIO2D5 PE control Active High Weak PU/PD Resistor Enable 1'b0: PU/PD Disable 1'b1: PU/PD Enable

Bit	Attr	Reset Value	Description
9	RW	0x1	gpio2d4_ps GPIO2D4 PS control Weak PU/PD Resistor Selection 1'b0: PD Selection 1'b1: PU Selection
8	RW	0x1	gpio2d4_pe GPIO2D4 PE control Active High Weak PU/PD Resistor Enable 1'b0: PU/PD Disable 1'b1: PU/PD Enable
7	RW	0x1	gpio2d3_ps GPIO2D3 PS control Weak PU/PD Resistor Selection 1'b0: PD Selection 1'b1: PU Selection
6	RW	0x1	gpio2d3_pe GPIO2D3 PE control Active High Weak PU/PD Resistor Enable 1'b0: PU/PD Disable 1'b1: PU/PD Enable
5	RW	0x1	gpio2d2_ps GPIO2D2 PS control Weak PU/PD Resistor Selection 1'b0: PD Selection 1'b1: PU Selection
4	RW	0x1	gpio2d2_pe GPIO2D2 PE control Active High Weak PU/PD Resistor Enable 1'b0: PU/PD Disable 1'b1: PU/PD Enable
3	RW	0x1	gpio2d1_ps GPIO2D1 PS control Weak PU/PD Resistor Selection 1'b0: PD Selection 1'b1: PU Selection
2	RW	0x1	gpio2d1_pe GPIO2D1 PE control Active High Weak PU/PD Resistor Enable 1'b0: PU/PD Disable 1'b1: PU/PD Enable
1	RW	0x1	gpio2d0_ps GPIO2D0 PS control Weak PU/PD Resistor Selection 1'b0: PD Selection 1'b1: PU Selection
0	RW	0x1	gpio2d0_pe GPIO2D0 PE control Active High Weak PU/PD Resistor Enable 1'b0: PU/PD Disable 1'b1: PU/PD Enable

**EMMC IOC GPIO2A IE**

Address: Operational Base + offset (0x0190)

Bit	Attr	Reset Value	Description
31:16	WO	0x0000	write_enable Write enable for lower 16bits, each bit is individual 1'b0: Write access disable 1'b1: Write access enable
15:4	RO	0x000	reserved
3	RW	0x1	gpio2a3_ie GPIO2A3 IE control Active High input buffer enable
2	RW	0x1	gpio2a2_ie GPIO2A2 IE control Active High input buffer enable
1	RW	0x1	gpio2a1_ie GPIO2A1 IE control Active High input buffer enable
0	RW	0x1	gpio2a0_ie GPIO2A0 IE control Active High input buffer enable

**EMMC IOC GPIO2D IE**

Address: Operational Base + offset (0x019C)

Bit	Attr	Reset Value	Description
31:16	WO	0x0000	write_enable Write enable for lower 16bits, each bit is individual 1'b0: Write access disable 1'b1: Write access enable
15:8	RO	0x00	reserved
7	RW	0x1	gpio2d7_ie GPIO2D7 IE control Active High input buffer enable
6	RW	0x1	gpio2d6_ie GPIO2D6 IE control Active High input buffer enable
5	RW	0x1	gpio2d5_ie GPIO2D5 IE control Active High input buffer enable
4	RW	0x1	gpio2d4_ie GPIO2D4 IE control Active High input buffer enable
3	RW	0x1	gpio2d3_ie GPIO2D3 IE control Active High input buffer enable
2	RW	0x1	gpio2d2_ie GPIO2D2 IE control Active High input buffer enable
1	RW	0x1	gpio2d1_ie GPIO2D1 IE control Active High input buffer enable
0	RW	0x1	gpio2d0_ie GPIO2D0 IE control Active High input buffer enable

**EMMC IOC GPIO2A SMT**

Address: Operational Base + offset (0x0220)

Bit	Attr	Reset Value	Description
31:16	WO	0x0000	write_enable Write enable for lower 16bits, each bit is individual 1'b0: Write access disable 1'b1: Write access enable
15:4	RO	0x000	reserved
3	RW	0x0	gpio2a3_smt GPIO2A3 SMT control CMOS/Schmitt Trigger Selection 1'b0: CMOS Input 1'b1: Schmitt Trigger input
2	RW	0x0	gpio2a2_smt GPIO2A2 SMT control CMOS/Schmitt Trigger Selection 1'b0: CMOS Input 1'b1: Schmitt Trigger input
1	RW	0x0	gpio2a1_smt GPIO2A1 SMT control CMOS/Schmitt Trigger Selection 1'b0: CMOS Input 1'b1: Schmitt Trigger input
0	RW	0x0	gpio2a0_smt GPIO2A0 SMT control CMOS/Schmitt Trigger Selection 1'b0: CMOS Input 1'b1: Schmitt Trigger input

**EMMC IOC GPIO2D SMT**

Address: Operational Base + offset (0x022C)

Bit	Attr	Reset Value	Description
31:16	WO	0x0000	write_enable Write enable for lower 16bits, each bit is individual 1'b0: Write access disable 1'b1: Write access enable
15:8	RO	0x00	reserved
7	RW	0x0	gpio2d7_smt GPIO2D7 SMT control CMOS/Schmitt Trigger Selection 1'b0: CMOS Input 1'b1: Schmitt Trigger input
6	RW	0x0	gpio2d6_smt GPIO2D6 SMT control CMOS/Schmitt Trigger Selection 1'b0: CMOS Input 1'b1: Schmitt Trigger input
5	RW	0x0	gpio2d5_smt GPIO2D5 SMT control CMOS/Schmitt Trigger Selection 1'b0: CMOS Input 1'b1: Schmitt Trigger input
4	RW	0x0	gpio2d4_smt GPIO2D4 SMT control CMOS/Schmitt Trigger Selection 1'b0: CMOS Input 1'b1: Schmitt Trigger input

Bit	Attr	Reset Value	Description
3	RW	0x0	gpio2d3_smt GPIO2D3 SMT control CMOS/Schmitt Trigger Selection 1'b0: CMOS Input 1'b1: Schmitt Trigger input
2	RW	0x0	gpio2d2_smt GPIO2D2 SMT control CMOS/Schmitt Trigger Selection 1'b0: CMOS Input 1'b1: Schmitt Trigger input
1	RW	0x0	gpio2d1_smt GPIO2D1 SMT control CMOS/Schmitt Trigger Selection 1'b0: CMOS Input 1'b1: Schmitt Trigger input
0	RW	0x0	gpio2d0_smt GPIO2D0 SMT control CMOS/Schmitt Trigger Selection 1'b0: CMOS Input 1'b1: Schmitt Trigger input

**EMMC\_IOC\_GPIO\_PDIS**

Address: Operational Base + offset (0x0290)

Bit	Attr	Reset Value	Description
31:16	WO	0x0000	write_enable Write enable for lower 16bits, each bit is individual 1'b0: Write access disable 1'b1: Write access enable
15:1	RO	0x0000	reserved
0	RW	0x0	emmcio_pull_dis when 1'b1, disable VCCIO6 GPIO pull up/down when output enable

**6.33 Application Notes**

**6.33.1 Memory Configuration**

**RM/RMA/RMB**

Read-Write margin Input. This input is used for setting the ReadWrite margin. It programs the sense amp differential setting and write time window which allows the trade off between speed and robustness.

**RA**

Read Assist Pins to control WL under-drive.

**WA**

WA[1] Write assist enable pin (Active High). WA[0:0] Write Assist pin to control negative voltage on SRAM bitline.

**WPULSE**

Write Assist Pulse pins. These pins control the start time of the bitline negative coupling.

**WMD/WMDA/WMDB**

When enabled it is used to add more delay in the Write cycle for internal clock pulse. No change in the read cycle internal clock pulse.

**LS**

Light Sleep Input. When this pin is active then memory goes into low leakage mode, there is no change in the output state.

**TEST\_RNM**

When this pin is high Memory will go in idle state and bit-lines are pre-charged high.

**TEST1**

Test pin to bypass self-timed circuit. The external clock controls the read and write control signals.

**TESTRWM**

Test mode for read write margin control.



## Chapter 7 Power Management Unit (PMU)

### 7.1 Overview

In order to meet low power requirements, a power management unit (PMU) is designed for controlling power resources in RK3588. The RK3588 PMU is dedicated for managing the power of the whole chip.

PMU supports the following features:

- Support multi voltage domains: VD\_BIGCORE0, VD\_BIGCORE1, VD\_LITDSU, VD\_GPU, VD\_NPU, VD\_VCODEC, VD\_DDR01, VD\_DDR23, VD\_LOGIC, VD\_PMU
- Support multi power domains in VD\_BIGCORE0: PD\_CPU\_4, PD\_CPU\_5
- Support multi power domains in VD\_BIGCORE1: PD\_CPU\_6, PD\_CPU\_7
- Support multi power domains in VD\_LITDSU: PD\_CPU\_0, PD\_CPU\_1, PD\_CPU\_2, PD\_CPU\_3
- Support multi power domains in VD\_NPU: PD\_NPUTOP, PD\_NPU1, PD\_NPU2
- Support multi power domains in VD\_VCODEC: PD\_RKVDEC0, PD\_RKVDEC1, PD\_VENC0, PD\_VENC1
- Support multi power domains in VD\_LOGIC: PD\_VDPU, PD\_RGA30, PD\_AV1, PD\_VI, PD\_FEC, PD\_ISP1, PD\_RGA31, PD\_VOP, PD\_VO0, PD\_VO1, PD\_AUDIO, PD\_PHP, PD\_GMAC, PD\_PCIE, PD\_NVM, PD\_NVM0, PD\_SDIO, PD\_USB, PD\_SECURE, PD\_SDMMC, PD\_CRYPT0, PD\_CENTER, PD\_VOP\_CLUSTER0, PD\_VOP\_CLUSTER1, PD\_VOP\_CLUSTER2, PD\_VOP\_CLUSTER3, PD\_VOP\_DSC8K, PD\_VOP\_DSC4K, PD\_VOP\_ESMART
- Support one power domain in VD\_PMU: PD\_PMU1
- Support BIU idle operations: BIU\_BIGCORE0, BIU\_BIGCORE1, BIU\_DSU, BIU\_LITDSU, BIU\_GPU, BIU\_NPUTOP, BIU\_NPU1, BIU\_NPU2, BIU\_VENC0, BIU\_VENC1, BIU\_RKVDEC0, BIU\_RKVDEC1, BIU\_VDPU, BIU\_AV1, BIU\_ISP1, BIU\_RGA31, BIU\_VOP, BIU\_VOP\_CHANNEL, BIU\_VO0, BIU\_VO1, BIU\_AUDIO, BIU\_NVM, BIU\_SDIO, BIU\_USB, BIU\_PHP, BIU\_VO1USBTOP, BIU\_SECURE, BIU\_SECURE\_CENTER\_CHANNEL, BIU\_SECURE\_VO1USB\_CHANNEL, BIU\_CENTER, BIU\_CENTER\_CHANNEL, BIU\_DDRSCH0, BIU\_DDRSCH1, BIU\_DDRSCH2, BIU\_DDRSCH3, BIU\_CENTER\_DDRSCH, BIU\_BUS, BIU\_TOP, BIU\_PMU1
- Support CPU auto power down and DSU auto power down
- Support power down/up all power domains by software or hardware
- Support power down/up all voltage domains by software or hardware
- Support to send idle request to BIU
- Support low frequency clock source from PMU\_PVTM
- Support PMU clock switch to low frequency clock in low power mode
- Support PLLs power down/up by hardware in low power mode
- Support OSC enable/disable request in low power mode
- Support to clamp all VD\_PMU input before power off VD\_LOGIC in low power mode
- Support wakeup reset control in power off mode
- Support DDR self-refresh in low power mode
- Support DDR controller clock auto gating in low power mode
- Support varies configurable wakeup source for low power mode
- Support memory repair for all memory in system by software or hardware

### 7.2 Block Diagram

The following figure is the PMU block diagram. The PMU includes the 3 following sections:

- APB Interface and Register: Provide AMBA APB interface for register read and write
- System Power State Control: Provide power management for various low power modes
- Power Gating Control: Provide power gating control for power domains

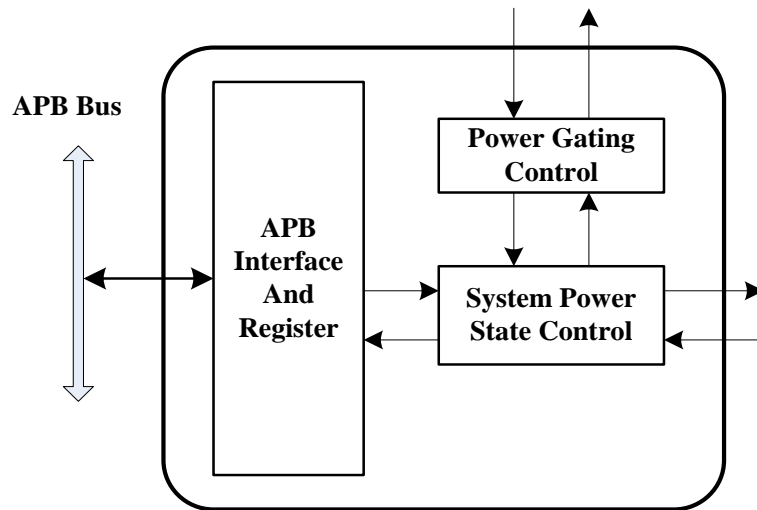


Fig. 7-1 PMU Block Diagram

## 7.3 Function Description

### 7.3.1 Domain Description

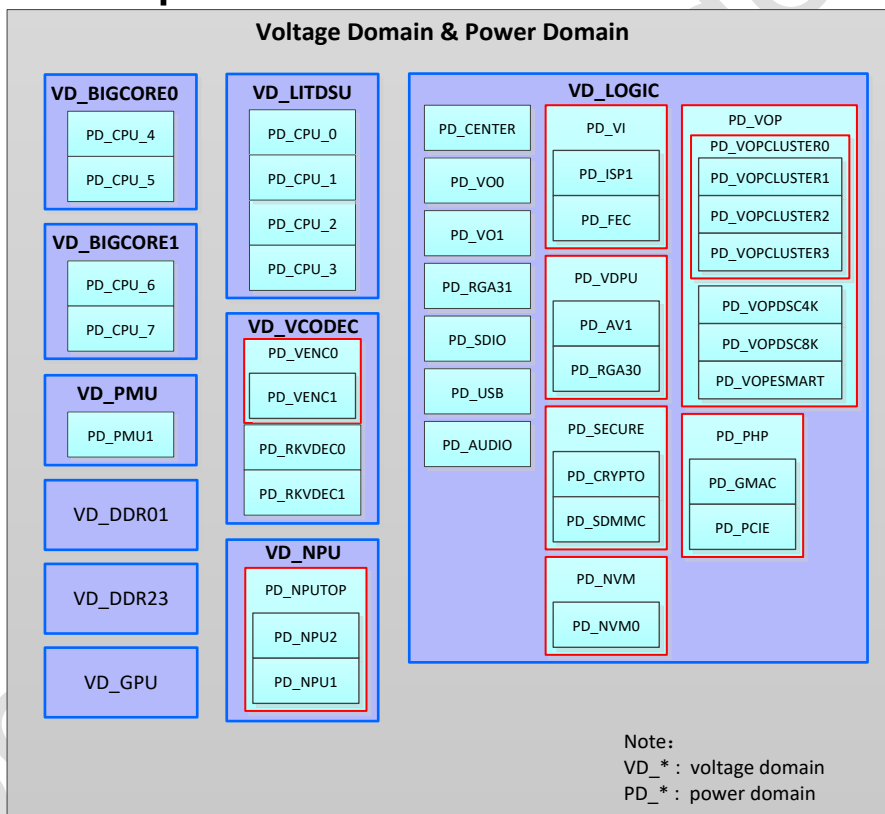


Fig. 7-2 RK3588 Voltage Domain and Power Domain Partition

The above diagram describes the power domain and voltage domain partition, and the following table lists IPs in every domain.

Table 7-1 RK3588 Voltage Domain and Power Domain Summary

Voltage Domain	Power Domain	Description
VD_BIGCORE 0	PD_CPU_4	A76_0
	PD_CPU_5	A76_1
	ALIVE	BIU_BIGCORE0 PVTM_BIGCORE0 PVTPLL_BIGCORE0 BIGCORE0_CRU

Voltage Domain	Power Domain	Description
		B0PLL BIGCORE0_GRF
VD_BIGCORE1	PD_CPU_6	A76_2
	PD_CPU_7	A76_3
	ALIVE	BIU_BIGCORE1 PVTM_BIGCORE1 PVTPLL_BIGCORE1 BIGCORE1_CRU B1PLL BIGCORE1_GRF
VD_LITDSU	PD_CPU_0	A55_0
	PD_CPU_1	A55_1
	PD_CPU_2	A55_2
	PD_CPU_3	A55_3
	ALIVE	BIU_LITDSU BIU_DSU PVTM_LITDSU PVTPLL_LITDSU LITDSU_CRU LPLL LITDSU_GRF LITDSU_SGRF DSU/L3 DAP_LITE2 DEBUG_APB
VD_NPU	PD_NPUTOP	BIU_NPUTOP MCU_NPU PVTM_NPU PVTPLL_NPU WDT_NPU TIMER_NPU RKNN_CORE0
	PD_NPU1	BIU_NPU1 RKNN_CORE1
	PD_NPU2	BIU_NPU2 RKNN_CORE2
VD_GPU		BIU_GPU Odin MP4 PVTM_GPU PVTPLL_GPU GPU_GRF
VD_VCODEC	PD_RKVDEC0	BIU_RKVDEC0 RKVDEC0 & CCU
	PD_RKVDEC1	BIU_RKVDEC1 RKVDEC1
	PD_VENC0	BIU_VENC0 RKVENC0
	PD_VENC1	BIU_VENC1 RKVENC1
VD_DDR01		BIU_DDRSCH0 BIU_DDRSCH1 DDRCTRL_CH0 DDRCTRL_CH1 DDRPHY_CH0

Voltage Domain	Power Domain	Description
		DDRPHY_CH1 DDR_SCRAMBLE_CH0 DDR_SCRAMBLE_CH1 DDR_MONITOR_CH0 DDR_MONITOR_CH1 DDR_CH01_GRF DDR_CH01_CRU D0APLL D0BPLL D1APLL D1BPLL
VD_DDR23		BIU_DDRSCH2 BIU_DDRSCH3 DDRCTRL_CH2 DDRCTRL_CH3 DDRPHY_CH2 DDRPHY_CH3 DDR_SCRAMBLE_CH2 DDR_SCRAMBLE_CH3 DDR_MONITOR_CH2 DDR_MONITOR_CH3 DDR_CH23_GRF DDR_CH23_CRU D2APLL D2BPLL D3APLL D3BPLL
VD_LOGIC	PD_CENTER	BIU_CENTER BIU_CENTER_DDRSCH BIU_CENTER_CHANNEL SHARE_MEMORY MCU_DDR WDT_CENTER TIMER_2CH_DDR DMA2DDR CENTER_GRF
	PD_VDPU	BIU_VDPU VDPU JPEG_ENC0 JPEG_ENC1 JPEG_ENC2 JPEG_ENC3 JPEG_DEC RGA2 IEP
	PD_RGA30	RGA3_0
	PD_AV1	BIU_AV1 AV1
	PD_VOP	BIU_VOP BIU_VOP_CHANNEL VOP DSIHOST0 DSIHOST1 VOP_GRF
	PD_VOPCLUSTE	VOP_CLUSTER0

Voltage Domain	Power Domain	Description
	R0	
	PD_VOPCLUSTER1	VOP_CLUSTER1
	PD_VOPCLUSTER2	VOP_CLUSTER2
	PD_VOPCLUSTER3	VOP_CLUSTER3
	PD_VOPDSC8K	VOP_DSC8K
	PD_VOPDSC4K	VOP_DSC4K
	PD_VOPESMART	VOP_ESMART1 VOP_ESMART2 VOP_ESMART3
	PD_VO0	BIU_VO0 HDCP0 HDCP0_KEY TRNG0 DP0 DP1 I2S4_8CH I2S8_8CH SPDIF2 SPDIF5 VO0_GRF
	PD_VO1	BIU_VO1 HDCP1 HDCP1_KEY TRNG1 eDP0 eDP1 HDMITX0 HDMITX1 HDMIRX I2S5_8CH I2S6_8CH I2S7_8CH I2S9_8CH I2S10_8CH SPDIF3 SPDIF4 SPDIF_RX0 SPDIF_RX1 SPDIF_RX2 VO1_GRF
	PD_VI	BIU_VI VIPCAP ISP0 CSIHOST0 CSIHOST1 CSIHOST2 CSIHOST3 CSIHOST4 CSIHOST5
	PD_ISP1	BIU_ISP1 ISP1

Voltage Domain	Power Domain	Description
	PD_FEC	FishEye0 FishEye1
	PD_RGA31	BIU_RGA31 RGA3_1
	PD_USB	BIU_USB USB2HOST_0 USB2HOST_1 USB30TG_0 USB30TG_1 USB_GRF
	PD_PHP	BIU_PHP MMU600_PHP MMU600_PCIE GIC600(ITS) USB30TG_2 SATA_0 SATA_1 SATA_2 PCIE3_1L0 PCIE3_1L1 PCIE3_1L2 PHP_GRF
	PD_GMAC	GMAC_0 GMAC_1
	PD_PCIE	PCIE3_2L PCIE3_4L
	PD_NVM	BIU_NVN
	PD_NVM0	FSPI EMMC
	PD_SDIO	BIU_SDIO SDIO
	PD_AUDIO	BIU_AUDIO I2S0_8CH I2S2_2CH I2S3_2CH PDM1 SPDIF0 SPDIF1 DSM_PWM
	PD_SECURE	BIU_SECURE
	PD_SDMMC	SDMMC
	PD_CRYPT0	SEC_SCRU SEC_SGRF DCF OTP_S TIMER_S WDT_S KEY_READER TRNG_CHK0 TRNG_CHK1 TRNG_S BOOTROM_S KEYLADDER CRYPTO_S

Voltage Domain	Power Domain	Description
	ALIVE(PD_BUS)	CRYPTO_NS TRNG_NS BOOTROM_NS SDMMC_BUFFER BIU_TOP BIU_BUS BIU_SECURE_CENTER_CHANNEL BIU_SECURE_VO1USB_CHANNEL BIU_VO1USBTOP PMU2 BUS_SCRU BUS_SGRF JDG_CHK0 JDG_CHK1 SPINLOCK GIC600 DMAC0 DMAC1 DMAC2 TIMER_NS_0 TIMER_NS_1 WDT_NS MAILBOX0 MAILBOX1 MAILBOX2 INT256MUX4 TSADC SARADC DECOM OTP_TM OTP_NS SYS_GRF BUS_IOC CRU_NS I2C1~I2C8 PWM1~PWM3 SPI0~SPI4 UART1~UART9 CAN0~CAN2 GPIO1~GPIO4 HDMI_DP_PHY0~HDMI_DP_PHY1 USB3_DP_PHY0~USB3_DP_PHY1 HDMI_DP_PHY0~HDMI_DP_PHY1 MIPI_DC_PHY0~MIPI_DC_PHY1 PCIE2_SATA_PHY0~PCIE2_SATA_PHY2 USB2_PHY0~USB2_PHY3 HDMI_CSI_DPHY PCIE3_PHY
VD_PMU	PD_PMU1	BIU_PMU1 PMU1_CRU PMU1_GRF PMU1_SGRF PMU1_IOC PMU1 PMU_WDT I2C0

Voltage Domain	Power Domain	Description
		PWM0 PMU_TIMER UART0 PMU_MEM OSC_CHK MCU_PMU VAD I2S1_8CH PDM0 PMU1_PAD PMU1_PMUX
	ALIVE	PMU0_CRU PMU0_GRF PMU0_SGRF PMU0_IOC PMU0 GPIO0 PVTM_PMU SCRAMBLE_KEY PMU0_PAD PMU0_PMUX

### 7.3.2 Operation Mode

We define two operation modes of PMU, software power mode and hardware power mode. When operating at software power mode, that means software can manage power sources directly by accessing PMU registers. For example, CPU or MCU\_PMU can write PMU\_PWR\_GATE\_CON0/1/2 registers to determine that power off/on which power domain independently.

When operating at hardware power mode, software manages power sources indirectly through FSM (Finite States Machine) in PMU and those settings always not take effect immediately. That means software also can configure PMU registers to power down/up some power resources, but these setting will not be executed immediately after configuration. They will be delayed to execute after FSM running in particular phase. And the specific power sources will be controlled during specific status in FSM. So the low power mode is a "delay affect" way to handle power sources inside the RK3588 chip.

### 7.3.3 Low Power Mode

There are 2 low power modes defined for RK3588: Power mode 0, Power mode 1.

Power mode 0: Ultra low power mode. In this power mode, all logic except ALIVE in VD\_PMU0 can be power off or power down. Chip can be waked up by GPIO interrupt triggered by IO in PMUIO1 domain.

Power mode 1: Low power mode. In this power mode, all logic except ALIVE and PD\_PMU1 in VD\_PMU0 can be power off or power down. Chip can be waked up by GPIO interrupt triggered by IO in PMUIO1 and PMUIO2 domain or other wake up source from PD\_PMU1 when in hardware power mode, or wake up by MCU\_PMU when in hardware power mode.

## 7.4 Register Description

RK3588 PMU registers are divided into 3 parts for flexible applications:

- Offset = 0x0000~0x3FFF: registers defined in PMU0, in ALIVE of VD\_PMU;
- Offset = 0x4000~0x7FFF: registers defined in PMU1, in PD\_PMU1;
- Offset = 0x8000~0xBFFF: registers defined in PMU2, in ALIVE of VD\_LOGIC.



## 7.4.1 Registers Summary

Name	Offset	Size	Reset Value	Description
<u>PMU_PWR_CON0</u>	0x0000	W	0x00000000	PMU power control 0 register
<u>PMU_WAKEUP_INT_CON_P0</u>	0x0008	W	0x00000000	PMU wake up interrupt control register for power mode 0
<u>PMU_WAKEUP_INT_STS_P0</u>	0x000C	W	0x00000000	PMU wake up interrupt status register for power mode 0
<u>PMU_PMIC_STABLE_CNT_P0</u>	0x0010	W	0x000FFFFFFF	PMIC stable count register for power mode 0
<u>PMU_WAKEUP_RST_CLR_CNT_P0</u>	0x0014	W	0x000FFFFFFF	Wake up reset clear count register for power mode 0
<u>PMU_OSC_STABLE_CNT_P0</u>	0x0018	W	0x000FFFFFFF	Oscillator stable count register for power mode 0
<u>PMU_PMU1_PWR_CHAIN_STABLE_CON</u>	0x001C	W	0x00003E3F	PD_PMU1 power chain stable control register
<u>PMU_DDR_RET_CON0_P0</u>	0x0020	W	0x00000000	DDR retention control register 0 for power mode 0
<u>PMU_DDR_RET_CON1_P0</u>	0x0024	W	0x00000000	DDR retention control register 1 for power mode 0
<u>PMU_INFO_TX_CON</u>	0x0030	W	0x00000000	PMU debug information transmit control register
<u>PMU_VERSION</u>	0x4000	W	0x00003588	PMU version register
<u>PMU_PWR_CON1</u>	0x4004	W	0x00000000	PMU power control 1 register
<u>PMU_GLB_POWER_STS</u>	0x4008	W	0x00000000	PMU global power status register
<u>PMU_INT_MASK_CON</u>	0x400C	W	0x00000000	PMU interrupt mask control register
<u>PMU_WAKEUP_INT_CON</u>	0x4010	W	0x00000000	PMU wake up interrupt control register
<u>PMU_WAKEUP_INT_STS</u>	0x4014	W	0x00000000	PMU wake up interrupt status register
<u>PMU_DDR_CH0_PWR_CON</u>	0x4020	W	0x00000000	DDR channel 0 hardware power control register

<b>Name</b>	<b>Offset</b>	<b>Size</b>	<b>Reset Value</b>	<b>Description</b>
<u>PMU_DDR_CH1_PWR_CON</u>	0x4024	W	0x00000000	DDR channel 1 hardware power control register
<u>PMU_DDR_CH2_PWR_CON</u>	0x4028	W	0x00000000	DDR channel 2 hardware power control register
<u>PMU_DDR_CH3_PWR_CON</u>	0x402C	W	0x00000000	DDR channel 3 hardware power control register
<u>PMU_DDR_CH0_PWR_SFTCON</u>	0x4030	W	0x00000000	DDR channel 0 software power control register
<u>PMU_DDR_CH1_PWR_SFTCON</u>	0x4034	W	0x00000000	DDR channel 1 software power control register
<u>PMU_DDR_CH2_PWR_SFTCON</u>	0x4038	W	0x00000000	DDR channel 2 software power control register
<u>PMU_DDR_CH3_PWR_SFTCON</u>	0x403C	W	0x00000000	DDR channel 3 software power control register
<u>PMU_DDR_POWER_STS</u>	0x4040	W	0x00000000	DDR power state register
<u>PMU_DDR_STS</u>	0x4044	W	0x00000000	DDR state register
<u>PMU_CRU_PWR_CON</u>	0x4050	W	0x00000000	Clock and reset hardware power control register
<u>PMU_CRU_PWR_SFTCON</u>	0x4054	W	0x00000000	Clock and reset software power control register
<u>PMU_CRU_POWER_STS</u>	0x4058	W	0x00000000	Clock and reset power state register
<u>PMU_PLLPD_CON0</u>	0x4060	W	0x00000000	PLL hardware power control register 0
<u>PMU_PLLPD_CON1</u>	0x4064	W	0x00000000	PLL hardware power control register 1
<u>PMU_PLLPD_SFTCON0</u>	0x4068	W	0x00000000	PLL software power control register 0
<u>PMU_PLLPD_SFTCON1</u>	0x406C	W	0x00000000	PLL software power control register 1
<u>PMU_PMIC_STABLE_CNT</u>	0x4080	W	0x000FFFFFFF	PMIC stable count register

<b>Name</b>	<b>Offset</b>	<b>Size</b>	<b>Reset Value</b>	<b>Description</b>
<u>PMU_OSC_STABLE_CNT</u>	0x4084	W	0x000FFFFFF	Oscillator stable count register
<u>PMU_WAKEUP_RST_CLR_CNT</u>	0x4088	W	0x000FFFFFF	Wake up reset clear count register
<u>PMU_PLL_LOCK_CNT</u>	0x408C	W	0x000FFFFFF	PLL lock count register
<u>PMU_WAKEUP_TIMEOUT_CNT</u>	0x4094	W	0x00005DC0	PMU wake up timeout count register
<u>PMU_PWM_SWITCH_CNT</u>	0x4098	W	0x000FFFFFF	PWM switch stable count register
<u>PMU_SYS_REG0</u>	0x4100	W	0x00000000	PMU system register 0
<u>PMU_SYS_REG1</u>	0x4104	W	0x00000000	PMU system register 1
<u>PMU_SYS_REG2</u>	0x4108	W	0x00000000	PMU system register 2
<u>PMU_SYS_REG3</u>	0x410C	W	0x00000000	PMU system register 3
<u>PMU_SYS_REG4</u>	0x4110	W	0x00000000	PMU system register 4
<u>PMU_SYS_REG5</u>	0x4114	W	0x00000000	PMU system register 5
<u>PMU_SYS_REG6</u>	0x4118	W	0x00000000	PMU system register 6
<u>PMU_SYS_REG7</u>	0x411C	W	0x00000000	PMU system register 7
<u>PMU_PWR_CON2</u>	0x8000	W	0x00000000	PMU hardware power control 2 register
<u>PMU_DSU_PWR_CON</u>	0x8004	W	0x00000000	DSU hardware power control register
<u>PMU_DSU_PWR_SFTCON</u>	0x8008	W	0x00000000	DSU software power control register
<u>PMU_DSU_AUTO_PWR_CON</u>	0x800C	W	0x00000000	DSU automatic power control register
<u>PMU_CPU0_AUTO_PWR_CON</u>	0x8010	W	0x00000000	CPU0 automatic power control register
<u>PMU_CPU1_AUTO_PWR_CON</u>	0x8014	W	0x00000000	CPU1 automatic power control register

<b>Name</b>	<b>Offset</b>	<b>Size</b>	<b>Reset Value</b>	<b>Description</b>
<u>PMU_CPU2_AUTO_PWR_CON</u>	0x8018	W	0x00000000	CPU2 automatic power control register
<u>PMU_CPU3_AUTO_PWR_CON</u>	0x801C	W	0x00000000	CPU3 automatic power control register
<u>PMU_CPU4_AUTO_PWR_CON</u>	0x8020	W	0x00000000	CPU4 automatic power control register
<u>PMU_CPU5_AUTO_PWR_CON</u>	0x8024	W	0x00000000	CPU5 automatic power control register
<u>PMU_CPU6_AUTO_PWR_CON</u>	0x8028	W	0x00000000	CPU6 automatic power control register
<u>PMU_CPU7_AUTO_PWR_CON</u>	0x802C	W	0x00000000	CPU7 automatic power control register
<u>PMU_CPU0_PWR_SFTCON</u>	0x8030	W	0x000000C0	CPU0 software power control register
<u>PMU_CPU1_PWR_SFTCON</u>	0x8034	W	0x000000C0	CPU1 software power control register
<u>PMU_CPU2_PWR_SFTCON</u>	0x8038	W	0x000000C0	CPU2 software power control register
<u>PMU_CPU3_PWR_SFTCON</u>	0x803C	W	0x000000C0	CPU3 software power control register
<u>PMU_CPU4_PWR_SFTCON</u>	0x8040	W	0x000000C0	CPU4 software power control register
<u>PMU_CPU5_PWR_SFTCON</u>	0x8044	W	0x000000C0	CPU5 software power control register
<u>PMU_CPU6_PWR_SFTCON</u>	0x8048	W	0x000000C0	CPU6 software power control register
<u>PMU_CPU7_PWR_SFTCON</u>	0x804C	W	0x000000C0	CPU7 software power control register
<u>PMU_CORE0_PWR_CON</u>	0x8050	W	0x00000008	BIGCORE0 hardware power control register
<u>PMU_CORE1_PWR_CON</u>	0x8054	W	0x00000008	BIGCORE1 hardware power control register

<b>Name</b>	<b>Offset</b>	<b>Size</b>	<b>Reset Value</b>	<b>Description</b>
<u>PMU CORE0 PWR SFTCON</u>	0x8058	W	0x00000000	BIGCORE0 software power control register
<u>PMU CORE1 PWR SFTCON</u>	0x805C	W	0x00000000	BIGCORE1 software power control register
<u>PMU CORE0 AUTO PWR CON</u>	0x8060	W	0x00000000	BIGCORE0 automatic power control register
<u>PMU CORE1 AUTO PWR CON</u>	0x8064	W	0x00000000	BIGCORE1 automatic power control register
<u>PMU CLUSTER BIU AUTO CON</u>	0x8068	W	0x00000000	Cluster BIU automatic power control register
<u>PMU CLUSTER BIU IDLE CON</u>	0x8070	W	0x00000000	Cluster BIU idle request hardware control register
<u>PMU CLUSTER BIU IDLE SFTCON</u>	0x8074	W	0x00000000	Cluster BIU idle request software control register
<u>PMU CLUSTER BIU IDLE ACK STS</u>	0x8078	W	0x00000000	Cluster BIU idle acknowledge status register
<u>PMU CLUSTER BIU IDLE STS</u>	0x807C	W	0x00000000	Cluster BIU idle status register
<u>PMU CLUSTER STS</u>	0x8080	W	0x00000000	Cluster status register
<u>PMU CLUSTER POWER STS0</u>	0x8084	W	0x00000000	Cluster power status register 0
<u>PMU CLUSTER POWER STS1</u>	0x8088	W	0x00000000	Cluster power status register 1
<u>PMU CLUSTER PCHANNEL STS0</u>	0x808C	W	0x00000000	Cluster P-Channel status register 0
<u>PMU CLUSTER PCHANNEL STS1</u>	0x8090	W	0x00000000	Cluster P-Channel status register 1
<u>PMU CLUSTER PCHANNEL STS2</u>	0x8094	W	0x00000000	Cluster P-Channel status register 2
<u>PMU CPU PWR CHAIN STABLE CON</u>	0x8098	W	0x000000FF	CPU power chain stable control register

<b>Name</b>	<b>Offset</b>	<b>Size</b>	<b>Reset Value</b>	<b>Description</b>
<u>PMU_DSU_MEM_PWR_CN</u>	0x809C	W	0x00000000	DSU memory power control register
<u>PMU_DSU_STABLE_CNT</u>	0x80B0	W	0x000FFFFFFF	DSU power stable count register
<u>PMU_DSU_PWRUP_CNT</u>	0x80B4	W	0x00005DC0	DSU power up count register
<u>PMU_DSU_PWRDN_CNT</u>	0x80B8	W	0x00005DC0	DSU power down count register
<u>PMU_CORE0_STABLE_CN</u> <u>I</u>	0x80BC	W	0x000FFFFFFF	BIGCORE0 power stable count register
<u>PMU_CORE0_PWRUP_CNT</u>	0x80C0	W	0x00005DC0	BIGCORE0 power up count register
<u>PMU_CORE0_PWRDN_CN</u> <u>I</u>	0x80C4	W	0x00005DC0	BIGCORE0 power down count register
<u>PMU_CORE1_STABLE_CN</u> <u>I</u>	0x80C8	W	0x000FFFFFFF	BIGCORE1 power stable count register
<u>PMU_CORE1_PWRUP_CNT</u>	0x80CC	W	0x00005DC0	BIGCORE1 power up count register
<u>PMU_CORE1_PWRDN_CN</u> <u>I</u>	0x80D0	W	0x00005DC0	BIGCORE1 power down count register
<u>PMU_CPU0_DBG_RST_CN</u> <u>I</u>	0x80D4	W	0x000FFFFFFF	CPU0 debug reset count register
<u>PMU_CPU1_DBG_RST_CN</u> <u>I</u>	0x80D8	W	0x000FFFFFFF	CPU1 debug reset count register
<u>PMU_CPU2_DBG_RST_CN</u> <u>I</u>	0x80DC	W	0x000FFFFFFF	CPU2 debug reset count register
<u>PMU_CPU3_DBG_RST_CN</u> <u>I</u>	0x80E0	W	0x000FFFFFFF	CPU3 debug reset count register
<u>PMU_CPU4_DBG_RST_CN</u> <u>I</u>	0x80E4	W	0x000FFFFFFF	CPU4 debug reset count register
<u>PMU_CPU5_DBG_RST_CN</u> <u>I</u>	0x80E8	W	0x000FFFFFFF	CPU5 debug reset count register
<u>PMU_CPU6_DBG_RST_CN</u> <u>I</u>	0x80EC	W	0x000FFFFFFF	CPU6 debug reset count register

<b>Name</b>	<b>Offset</b>	<b>Size</b>	<b>Reset Value</b>	<b>Description</b>
<u>PMU_CPU7_DBG_RST_CN</u> <u>I</u>	0x80F0	W	0x000FFFFF	CPU7 debug reset count register
<u>PMU_BIU_IDLE_CON0</u>	0x8100	W	0x00000000	BIU idle request hardware control register 0
<u>PMU_BIU_IDLE_CON1</u>	0x8104	W	0x00000000	BIU idle request hardware control register 1
<u>PMU_BIU_IDLE_CON2</u>	0x8108	W	0x00000000	BIU idle request hardware control register 2
<u>PMU_BIU_IDLE_SFTCON0</u>	0x810C	W	0x00000000	BIU idle request software control register 0
<u>PMU_BIU_IDLE_SFTCON1</u>	0x8110	W	0x00000000	BIU idle request software control register 1
<u>PMU_BIU_IDLE_SFTCON2</u>	0x8114	W	0x00000000	BIU idle request software control register 2
<u>PMU_BIU_IDLE_ACK_STS</u> <u>0</u>	0x8118	W	0x00000000	BIU idle acknowledge status register 0
<u>PMU_BIU_IDLE_ACK_STS</u> <u>1</u>	0x811C	W	0x00000000	BIU idle acknowledge status register 1
<u>PMU_BIU_IDLE_STS0</u>	0x8120	W	0x00000000	BIU idle status register 0
<u>PMU_BIU_IDLE_STS1</u>	0x8124	W	0x00000000	BIU idle status register 1
<u>PMU_BIU_AUTO_CON0</u>	0x8128	W	0x00000000	BIU automatic power control register 0
<u>PMU_BIU_AUTO_CON1</u>	0x812C	W	0x00000000	BIU automatic power control register 1
<u>PMU_BIU_AUTO_CON2</u>	0x8130	W	0x00000000	BIU automatic power control register 2
<u>PMU_PWR_GATE_CON0</u>	0x8140	W	0x00000000	Power domain hardware power control register 0
<u>PMU_PWR_GATE_CON1</u>	0x8144	W	0x00000000	Power domain hardware power control register 1
<u>PMU_PWR_GATE_CON2</u>	0x8148	W	0x00000000	Power domain hardware power control register 2

<b>Name</b>	<b>Offset</b>	<b>Size</b>	<b>Reset Value</b>	<b>Description</b>
<u>PMU_PWR_GATE_SFTCON_0</u>	0x814C	W	0x0000FFF9	Power domain software power control register 0
<u>PMU_PWR_GATE_SFTCON_1</u>	0x8150	W	0x000000FF	Power domain software power control register 1
<u>PMU_PWR_GATE_SFTCON_2</u>	0x8154	W	0x00000000	Power domain software power control register 2
<u>PMU_VOL_GATE_CON0</u>	0x8158	W	0x00000000	Voltage domain power control register 0
<u>PMU_VOL_GATE_CON1</u>	0x8160	W	0x00000000	Voltage domain power control register 1
<u>PMU_PWR_CHAIN_PWRUP_CON0</u>	0x8164	W	0x0000FFF8	Power chain stable control register 0 for power up
<u>PMU_PWR_CHAIN_PWRUP_CON1</u>	0x8168	W	0x0000FFFF	Power chain stable control register 1 for power up
<u>PMU_PWR_CHAIN_PWRDN_CON0</u>	0x8170	W	0x00000000	Power chain stable control register 0 for power down
<u>PMU_PWR_CHAIN_PWRDN_CON1</u>	0x8174	W	0x00000000	Power chain stable control register 1 for power down
<u>PMU_PWR_STABLE_CNT</u>	0x817C	W	0x001F001F	Power chain stable count register
<u>PMU_PWR_GATE_STS0</u>	0x8180	W	0x00FFFFFF	Power domain power status register 0
<u>PMU_PWR_GATE_STS1</u>	0x8184	W	0x00000000	Power domain power status register 1
<u>PMU_PWR_GATE_POWER_STS</u>	0x8188	W	0x00000000	Power gating status register
<u>PMU_VOL_GATE_FAST_CON</u>	0x818C	W	0x00000000	Voltage domain fast power control register
<u>PMU_GPU_PWRUP_CNT</u>	0x8190	W	0x000FFFFFFF	VD_GPU power up count register
<u>PMU_GPU_PWRDN_CNT</u>	0x8194	W	0x000FFFFFFF	VD_GPU power down count register
<u>PMU_NPU_PWRUP_CNT</u>	0x8198	W	0x000FFFFFFF	VD_NPU power up count register



<b>Name</b>	<b>Offset</b>	<b>Size</b>	<b>Reset Value</b>	<b>Description</b>
<u>PMU_NPU_PWRDN_CNT</u>	0x819C	W	0x000FFFFF	VD_NPU power down count register
<u>PMU_MEM_PWR_GATE_SF_TCON0</u>	0x81A0	W	0x00000000	Memory software power control register 0
<u>PMU_MEM_PWR_GATE_SF_TCON1</u>	0x81A4	W	0x00000000	Memory software power control register 1
<u>PMU_MEM_PWR_GATE_SF_TCON2</u>	0x81A8	W	0x00000000	Memory software power control register 2
<u>PMU_SUBMEM_PWR_GATE_SFTCON0</u>	0x81B0	W	0x00000000	Submodule memory software power control register 0
<u>PMU_SUBMEM_PWR_GATE_SFTCON1</u>	0x81B4	W	0x00000000	Submodule memory software power control register 1
<u>PMU_SUBMEM_PWR_GATE_SFTCON2</u>	0x81B8	W	0x00000000	Submodule memory software power control register 2
<u>PMU_SUBMEM_PWR_GATE_STS</u>	0x81BC	W	0x00000000	Submodule memory power status register
<u>PMU_SUBMEM_PWR_ACK_BYPASS_CON0</u>	0x81C0	W	0x00000000	Submodule memory power acknowledge bypass control register 0
<u>PMU_SUBMEM_PWR_ACK_BYPASS_CON1</u>	0x81C4	W	0x00000000	Submodule memory power acknowledge bypass control register 1
<u>PMU_QCHANNEL_PWR_CON</u>	0x81D0	W	0x00000000	Q-Channel hardware power control register
<u>PMU_QCHANNEL_PWR_SF_TCON</u>	0x81D4	W	0x00000000	Q-Channel software power control register
<u>PMU_QCHANNEL_PWR_STS</u>	0x81D8	W	0x00000000	Q-Channel power status register
<u>PMU_DEBUG_INFO_CON</u>	0x81E0	W	0x00000000	PMU debug information control register
<u>PMU_VOP_SUBPD_PWR_CHAIN_STS</u>	0x81E4	W	0x00049249	VOP sub-domain power chain status register

<b>Name</b>	<b>Offset</b>	<b>Size</b>	<b>Reset Value</b>	<b>Description</b>
<u>PMU_PWR_CHAIN0_STS0</u>	0x81E8	W	0x000000FF	Power domain power chain 0 status register 0
<u>PMU_PWR_CHAIN0_STS1</u>	0x81EC	W	0x000000FF	Power domain power chain 0 status register 1
<u>PMU_PWR_CHAIN1_STS0</u>	0x81F0	W	0x000000FF	Power domain power chain 1 status register 0
<u>PMU_PWR_CHAIN1_STS1</u>	0x81F4	W	0x000000FF	Power domain power chain 1 status register 1
<u>PMU_PWR_MEM_STS0</u>	0x81F8	W	0xFFFFBF80	Power domain memory power status register 0
<u>PMU_PWR_MEM_STS1</u>	0x81FC	W	0x00000000	Power domain memory power status register 1
<u>PMU_BISR_CON0</u>	0x8200	W	0x00000203	Memory repair control register 0
<u>PMU_BISR_CON1</u>	0x8204	W	0x00000000	Memory repair control register 1
<u>PMU_BISR_CON2</u>	0x8208	W	0x0000FF80	Memory repair control register 2
<u>PMU_BISR_CON3</u>	0x820C	W	0x000001FF	Memory repair control register 3
<u>PMU_BISR_CON4</u>	0x8210	W	0x00000000	Memory repair control register 4
<u>PMU_BISR_CON5</u>	0x8214	W	0x00000000	Memory repair control register 5
<u>PMU_BISR_CON6</u>	0x8218	W	0x00000000	Memory repair control register 6
<u>PMU_BISR_CON7</u>	0x821C	W	0x00000000	Memory repair control register 7
<u>PMU_BISR_CON8</u>	0x8220	W	0x00000000	Memory repair control register 8
<u>PMU_BISR_CON9</u>	0x8224	W	0x00000000	Memory repair control register 9
<u>PMU_BISR_CON10</u>	0x8228	W	0x00000000	Memory repair control register 10
<u>PMU_BISR_CON11</u>	0x822C	W	0x00000000	Memory repair control register 11
<u>PMU_BISR_CON12</u>	0x8230	W	0x00000000	Memory repair control register 12
<u>PMU_BISR_CON13</u>	0x8234	W	0x00000003	Memory repair control register 13
<u>PMU_BISR_CON14</u>	0x8238	W	0xFFFFFFFF	Memory repair control register 14

<b>Name</b>	<b>Offset</b>	<b>Size</b>	<b>Reset Value</b>	<b>Description</b>
<u>PMU_BISR_STS0</u>	0x8280	W	0x00000000	Memory repair status register 0
<u>PMU_BISR_STS1</u>	0x8284	W	0x00000000	Memory repair status register 1
<u>PMU_BISR_STS2</u>	0x8288	W	0x00000000	Memory repair status register 2
<u>PMU_BISR_STS3</u>	0x828C	W	0x00000000	Memory repair status register 3
<u>PMU_BISR_STS4</u>	0x8290	W	0x00000000	Memory repair status register 4
<u>PMU_BISR_STS5</u>	0x8294	W	0x00000000	Memory repair status register 5

Notes: Size: **B**- Byte (8 bits) access, **HW**- Half WORD (16 bits) access, **W**-WORD (32 bits) access

### 7.4.2 Detail Register Description

#### **PMU\_PWR\_CON0**

Address: Operational Base + offset (0x0000)

<b>Bit</b>	<b>Attr</b>	<b>Reset Value</b>	<b>Description</b>
31:16	WO	0x0000	write_enable Write enable for lower 16 bits, each bit is individual. 1'b0: Write access disable 1'b1: Write access enable
15	RO	0x0	reserved
14	RW	0x0	power_off_io_ena Enable VCCIO enter low power mode by hardware. 1'b0: Disable 1'b1: Enable
13	RW	0x0	biu_auto_pmu1 When perform idle operation, BIU_PMU1 corresponding clock can be opened or gated automatically. 1'b0: Disable 1'b1: Enable
12	RW	0x0	pmu1_bus_idle_sftena Enable sending idle request to BIU_PMU1 by software. 1'b0: Disable 1'b1: Enable
11	RW	0x0	pmu1_bus_idle_ena Enable sending idle request to BIU_PMU1 by hardware. 1'b0: Disable 1'b1: Enable
10	RW	0x0	pmu1_mempwr_gate_sftena Enable power down PD_PMU1's memory by software. 1'b0: Disable 1'b1: Enable
9	RW	0x0	pmu1_pwr_gate_sftena Enable power down PD_PMU1 by software. 1'b0: Disable 1'b1: Enable

Bit	Attr	Reset Value	Description
8	RW	0x0	pmu1_pwr_gate_ena Enable power down PD_PMU1 by hardware. 1'b0: Disable 1'b1: Enable
7	RW	0x0	osc_dis_bypass Bypass disable oscillator in power mode 0 procedure. If asserted, the oscillator cannot be disabled by FSM during power mode 0 procedure. 1'b0: Disable 1'b1: Enable
6	RW	0x0	freq_switch_bypass Bypass frequency switch stability in power mode 0 procedure. If asserted, clk_pmu cannot be switched to 32KHz clock source during power mode 0 procedure. 1'b0: Disable 1'b1: Enable
5	RW	0x0	reset_bypass Bypass wake up reset clear stability in power mode 0 procedure. If asserted, the FSM will enter next state not wait for reset counter, and chip will not be reset. 1'b0: Disable 1'b1: Enable
4	RW	0x0	pmic_bypass Bypass waiting for PMIC stability in power mode 0 procedure. If asserted, the FSM will enter next state not wait until PMIC is stable. 1'b0: Disable 1'b1: Enable
3	RW	0x0	wakeup_bypass Bypass waiting for wake up interrupt in power mode 0 procedure. If asserted, the FSM will exit sleep state without waiting for wake up source. 1'b0: Disable 1'b1: Enable
2	RW	0x0	pmu1_bus_bypass Bypass BIU_PMU1 idle flow in power mode 0 procedure. 1'b0: Disable 1'b1: Enable
1	RW	0x0	pmu1_pwr_bypass Bypass PD_PMU1 power gating flow in power mode 0 procedure. If asserted, PD_PMU1 is not power down or power up during power mode 0 procedure. 1'b0: Disable 1'b1: Enable
0	R/W SC	0x0	powermode0_en Power mode 0 enable. When controller enters power mode 0 procedure, this bit is automatically cleared. 1'b0: Disable 1'b1: Enable

**PMU WAKEUP INT CON P0**

Address: Operational Base + offset (0x0008)

Bit	Attr	Reset Value	Description
31:16	WO	0x0000	write_enable Write enable for lower 16 bits, each bit is individual. 1'b0: Write access disable 1'b1: Write access enable
15:1	RO	0x0000	reserved
0	RW	0x0	wakeup_int_en Enable GPIO interrupt as wake up source to exit power mode 0 procedure. 1'b0: Disable 1'b1: Enable

**PMU WAKEUP INT STS P0**

Address: Operational Base + offset (0x000C)

Bit	Attr	Reset Value	Description
31:1	RO	0x00000000	reserved
0	RO	0x0	wakeup_int_st Power mode 0 wake up source status. 1'b0: Inactive 1'b1: Active

**PMU PMIC STABLE CNT P0**

Address: Operational Base + offset (0x0010)

Bit	Attr	Reset Value	Description
31:20	RO	0x000	reserved
19:0	RW	0xffff	pmic_stable_cnt PMIC stable count for power mode 0 procedure. Number of clk_pmu used by counter logic.

**PMU WAKEUP RST CLR CNT P0**

Address: Operational Base + offset (0x0014)

Bit	Attr	Reset Value	Description
31:20	RO	0x000	reserved
19:0	RW	0xffff	wakeup_rst_clr_cnt Wake up reset clear count for power mode 0 procedure. Number of clk_pmu used by counter logic.

**PMU OSC STABLE CNT P0**

Address: Operational Base + offset (0x0018)

Bit	Attr	Reset Value	Description
31:20	RO	0x000	reserved
19:0	RW	0xffff	osc_stable_cnt Oscillator stable count for power mode 0 procedure. Number of clk_pmu used by counter logic.

**PMU PMU1 PWR CHAIN STABLE CON**

Address: Operational Base + offset (0x001C)

Bit	Attr	Reset Value	Description
31:16	WO	0x0000	write_enable Write enable for lower 16 bits, each bit is individual. 1'b0: Write access disable 1'b1: Write access enable
15:14	RO	0x0	reserved
13:9	RW	0x1f	pmu1_pwr_dwn_stable_cnt Stable count for PD_PMU1 power down flow. Number of clk_pmu used by counter logic.

Bit	Attr	Reset Value	Description
8	RW	0x0	pmu1_pwr_dwn_stable_en Enable stable counter between power chains for PD_PMU1 power down flow. 1'b0: Disable 1'b1: Enable
7:6	RO	0x0	reserved
5:1	RW	0x1f	pmu1_pwr_up_stable_cnt Stable count for PD_PMU1 power up flow. Number of clk_pmu used by counter logic.
0	RW	0x1	pmu1_pwr_up_stable_en Enable stable counter between power chains for PD_PMU1 power up flow. 1'b0: Disable 1'b1: Enable

**PMU DDR RET CON0 P0**

Address: Operational Base + offset (0x0020)

Bit	Attr	Reset Value	Description
31:16	WO	0x0000	write_enable Write enable for lower 16 bits, each bit is individual. 1'b0: Write access disable 1'b1: Write access enable
15:12	RW	0x0	ddrio_rstiov_exit_ena Enable DDR exits retention mode through RST_IOV by hardware in power mode 0 procedure. Bit[12] used for DDR channel 0. Bit[13] used for DDR channel 1. Bit[14] used for DDR channel 2. Bit[15] used for DDR channel 3. 1'b0: Disable 1'b1: Enable
11:8	RW	0x0	ddrio_reton_exit_ena Enable DDR exits retention mode through RETON/RETOFF by hardware in power mode 0 procedure. Bit[8] used for DDR channel 0. Bit[9] used for DDR channel 1. Bit[10] used for DDR channel 2. Bit[11] used for DDR channel 3. 1'b0: Disable 1'b1: Enable
7:4	RW	0x0	ddrio_rstiov_enter_ena Enable DDR enters retention mode through RST_IOV by hardware in power mode 0 procedure. Bit[4] used for DDR channel 0. Bit[5] used for DDR channel 1. Bit[6] used for DDR channel 2. Bit[7] used for DDR channel 3. 1'b0: Disable 1'b1: Enable

Bit	Attr	Reset Value	Description
3:0	RW	0x0	<p>ddrio_reton_enter_ena                      Enable DDR enters retention mode through RETON/RETOFF by hardware in power mode 0 procedure.                      Bit[0] used for DDR channel 0.                      Bit[1] used for DDR channel 1.                      Bit[2] used for DDR channel 2.                      Bit[3] used for DDR channel 3.                      1'b0: Disable                      1'b1: Enable</p>

**PMU DDR RET CON1 P0**

Address: Operational Base + offset (0x0024)

Bit	Attr	Reset Value	Description
31:16	WO	0x0000	<p>write_enable                      Write enable for lower 16 bits, each bit is individual.                      1'b0: Write access disable                      1'b1: Write access enable</p>
15:12	RW	0x0	<p>ddrio_rstiov_exit_sftena                      Enable DDR exits retention mode through RST_IOV by software.                      Bit[12] used for DDR channel 0.                      Bit[13] used for DDR channel 1.                      Bit[14] used for DDR channel 2.                      Bit[15] used for DDR channel 3.                      1'b0: Disable                      1'b1: Enable</p>
11:8	RW	0x0	<p>ddrio_reton_exit_sftena                      Enable DDR exits retention mode through RETON/RETOFF by software.                      Bit[8] used for DDR channel 0.                      Bit[9] used for DDR channel 1.                      Bit[10] used for DDR channel 2.                      Bit[11] used for DDR channel 3.                      1'b0: Disable                      1'b1: Enable</p>
7:4	RW	0x0	<p>ddrio_rstiov_enter_sftena                      Enable DDR enters retention mode through RST_IOV by software.                      Bit[4] used for DDR channel 0.                      Bit[5] used for DDR channel 1.                      Bit[6] used for DDR channel 2.                      Bit[7] used for DDR channel 3.                      1'b0: Disable                      1'b1: Enable</p>
3:0	RW	0x0	<p>ddrio_reton_enter_sftena                      Enable DDR enters retention mode through RETON/RETOFF by software.                      Bit[0] used for DDR channel 0.                      Bit[1] used for DDR channel 1.                      Bit[2] used for DDR channel 2.                      Bit[3] used for DDR channel 3.                      1'b0: Disable                      1'b1: Enable</p>

**PMU INFO TX CON**

Address: Operational Base + offset (0x0030)

Bit	Attr	Reset Value	Description
31:16	WO	0x0000	write_enable Write enable for lower 16 bits, each bit is individual. 1'b0: Write access disable 1'b1: Write access enable
15:9	RO	0x00	reserved
8	RW	0x0	info_tx_en Enable PMU debug information transition. 1'b0: Disable 1'b1: Enable
7:0	RW	0x00	info_tx_intv_time The interval time between the bytes of PMU debug information.

**PMU\_VERSION**

Address: Operational Base + offset (0x4000)

Bit	Attr	Reset Value	Description
31:0	RO	0x00003588	version PMU version

**PMU\_PWR\_CON1**

Address: Operational Base + offset (0x4004)

Bit	Attr	Reset Value	Description
31:16	WO	0x0000	write_enable Write enable for lower 16 bits, each bit is individual. 1'b0: Write access disable 1'b1: Write access enable
15:13	RO	0x0	reserved
12	RW	0x0	wfi_bypass Bypass WFI in power mode 1 procedure. If asserted, PMU FSM does not need to wait for CPU standbywfi state before entering low power flow. 1'b0: Disable 1'b1: Enable
11:9	RW	0x0	core_bypass Bypass core low power flow in power mode 1 procedure. Bit[9] used to bypass BIGCORE0 low power flow. Bit[10] used to bypass BIGCORE1 low power flow. Bit[11] used to bypass LITDSU low power flow. 1'b0: Disable 1'b1: Enable
8	RW	0x0	qch_bypass Bypass power Q-Channel low power flow in power mode 1 procedure. If asserted, PMU_QCHANNEL_PWR_CON cannot take effect for power Q-Channel low power flow. If you want to execute power Q-Channel low power flow, you can program PMU_QCHANNEL_PWR_SFTCON through software flow. 1'b0: Disable 1'b1: Enable



Bit	Attr	Reset Value	Description
7	RW	0x0	cru_bypass Bypass clock and reset low power flow in power mode 1 procedure. If asserted, PMU_CRU_PWR_CON cannot take effect for clock and reset low power flow. If you want to execute clock and reset low power flow, you can program PMU_CRU_PWR_SFTCON through software flow. 1'b0: Disable 1'b1: Enable
6	RW	0x0	pwrgate_bypass Bypass power gating flow in power mode 1 procedure. If asserted, PMU_PWR_GATE_CON0/1/2 cannot take effect for power gating flow. If you want to execute power gating flow, you can program PMU_PWR_GATE_SFTCON0/1/2 through software flow. 1'b0: Disable 1'b1: Enable
5	RW	0x0	ddr_bypass Bypass DDR low power flow in power mode 1 procedure. If asserted, PMU_DDR_CH0/1/2/3_PWR_CON cannot take effect for DDR low power flow. If you want to execute DDR low power flow, you can program PMU_DDR_CH0/1/2/3_PWR_SFTCON through software flow. 1'b0: Disable 1'b1: Enable
4	RW	0x0	bus_bypass Bypass BIU idle request in power mode 1 procedure. If asserted, PMU_BIU_IDLE_CON0/1/2 cannot take effect for BIU idle request. If you want to execute BIU idle request, you can program PMU_BIU_IDLE_SFTCON0/1/2 through software flow. 1'b0: Disable 1'b1: Enable
3:2	RO	0x0	reserved
1	RW	0x0	dsu_bypass Bypass DSU low power flow in power mode 1 procedure. 1'b0: Disable 1'b1: Enable
0	R/W SC	0x0	powermode1_en Power mode 1 enable. When controller enters power mode 1 procedure. It is automatically cleared after PMU enters power mode 1 procedure. 1'b0: Disable 1'b1: Enable

**PMU GLB POWER STS**

Address: Operational Base + offset (0x4008)

Bit	Attr	Reset Value	Description
31:4	RO	0x0000000	reserved

Bit	Attr	Reset Value	Description
3:0	RO	0x0	power_state PMU1 global power state. 4'h0: Normal state 4'h1: Core low power state 4'h2: Cluster low power state 4'h3: Q-Channel low power state 4'h4: Bus low power state 4'h5: DDR low power state 4'h6: Power gating low power state 4'h7: Clock and reset low power state 4'h8: Sleep state 4'h9: Clock and reset active state 4'ha: Power gating active state 4'hb: DDR active state 4'hc: Bus active state 4'hd: Q-Channel active state 4'hd: Cluster active state 4'hf: Core active state

**PMU INT MASK CON**

Address: Operational Base + offset (0x400C)

Bit	Attr	Reset Value	Description
31:16	WO	0x0000	write_enable Write enable for lower 16 bits, each bit is individual. 1'b0: Write access disable 1'b1: Write access enable
15:1	RO	0x0000	reserved
0	R/W SC	0x0	glb_int_mask Global interrupt mask during DSU sleep state. 1'b0: Interrupt is not mask 1'b1: Interrupt is mask

**PMU WAKEUP INT CON**

Address: Operational Base + offset (0x4010)

Bit	Attr	Reset Value	Description
31:17	RO	0x0000	reserved
16	RW	0x0	wakeup_timeout_en Enable PMU wake up timeout as wake up source to exit power mode 1 procedure. 1'b0: Disable 1'b1: Enable
15	RW	0x0	wakeup_sys_int_en Enable system interrupt as wake up source to exit power mode 1 procedure. 1'b0: Disable 1'b1: Enable
14	RW	0x0	wakeup_timer_int_en Enable PMU_TIMER interrupt as wake up source to exit power mode 1 procedure. 1'b0: Disable 1'b1: Enable

Bit	Attr	Reset Value	Description
13	RW	0x0	wakeup_vad_int_en Enable VAD interrupt as wake up source to exit power mode 1 procedure. 1'b0: Disable 1'b1: Enable
12	RW	0x0	wakeup_uart0_int_en Enable UART0 interrupt as wake up source to exit power mode 1 procedure. 1'b0: Disable 1'b1: Enable
11	RW	0x0	wakeup_usb_int_en Enable USB detect interrupt as wake up source to exit power mode 1 procedure. 1'b0: Disable 1'b1: Enable
10	RW	0x0	wakeup_sdio_int_en Enable SDIO interrupt as wake up source to exit power mode 1 procedure. 1'b0: Disable 1'b1: Enable
9	RW	0x0	wakeup_sdmmc_int_en Enable SDMMC detect interrupt as wake up source to exit power mode 1 procedure. 1'b0: Disable 1'b1: Enable
8	RW	0x0	wakeup_gpio0_int_en Enable GPIO0 interrupt as wake up source to exit power mode 1 procedure. 1'b0: Disable 1'b1: Enable
7	RW	0x0	wakeup_cpu7_int_en Enable CPU7 interrupt as wake up source to exit power mode 1 procedure. 1'b0: Disable 1'b1: Enable
6	RW	0x0	wakeup_cpu6_int_en Enable CPU6 interrupt as wake up source to exit power mode 1 procedure. 1'b0: Disable 1'b1: Enable
5	RW	0x0	wakeup_cpu5_int_en Enable CPU5 interrupt as wake up source to exit power mode 1 procedure. 1'b0: Disable 1'b1: Enable
4	RW	0x0	wakeup_cpu4_int_en Enable CPU4 interrupt as wake up source to exit power mode 1 procedure. 1'b0: Disable 1'b1: Enable
3	RW	0x0	wakeup_cpu3_int_en Enable CPU3 interrupt as wake up source to exit power mode 1 procedure. 1'b0: Disable 1'b1: Enable

Bit	Attr	Reset Value	Description
2	RW	0x0	wakeup_cpu2_int_en Enable CPU2 interrupt as wake up source to exit power mode 1 procedure. 1'b0: Disable 1'b1: Enable
1	RW	0x0	wakeup_cpu1_int_en Enable CPU1 interrupt as wake up source to exit power mode 1 procedure. 1'b0: Disable 1'b1: Enable
0	RW	0x0	wakeup_cpu0_int_en Enable CPU0 interrupt as wake up source to exit power mode 1 procedure. 1'b0: Disable 1'b1: Enable

**PMU WAKEUP INT STS**

Address: Operational Base + offset (0x4014)

Bit	Attr	Reset Value	Description
31:17	RO	0x0000	reserved
16	RO	0x0	wakeup_timeout_st Wake up timeout as wake up source status. 1'b0: Inactive 1'b1: Active
15	RO	0x0	wakeup_sys_int_st System interrupt as wake up source status. 1'b0: Inactive 1'b1: Active
14	RO	0x0	wakeup_timer_int_st PMU_TIMER interrupt as wake up source status. 1'b0: Inactive 1'b1: Active
13	RO	0x0	wakeup_vad_int_st VAD interrupt as wake up source status. 1'b0: Inactive 1'b1: Active
12	RO	0x0	wakeup_uart0_int_st UART0 interrupt as wake up source status. 1'b0: Inactive 1'b1: Active
11	RO	0x0	wakeup_usb_int_st USB detect interrupt as wake up source status. 1'b0: Inactive 1'b1: Active
10	RO	0x0	wakeup_sdio_int_st SDIO interrupt as wake up source status. 1'b0: Inactive 1'b1: Active
9	RO	0x0	wakeup_sdmmc_int_st SDMMC detect interrupt as wake up source status. 1'b0: Inactive 1'b1: Active

Bit	Attr	Reset Value	Description
8	RO	0x0	wakeup_gpio0_int_st GPIO0 interrupt as wake up source status. 1'b0: Inactive 1'b1: Active
7	RO	0x0	wakeup_cpu7_int_st CPU7 interrupt as wake up source status. 1'b0: Inactive 1'b1: Active
6	RO	0x0	wakeup_cpu6_int_st CPU6 interrupt as wake up source status. 1'b0: Inactive 1'b1: Active
5	RO	0x0	wakeup_cpu5_int_st CPU5 interrupt as wake up source status. 1'b0: Inactive 1'b1: Active
4	RO	0x0	wakeup_cpu4_int_st CPU4 interrupt as wake up source status. 1'b0: Inactive 1'b1: Active
3	RO	0x0	wakeup_cpu3_int_st CPU3 interrupt as wake up source status. 1'b0: Inactive 1'b1: Active
2	RO	0x0	wakeup_cpu2_int_st CPU2 interrupt as wake up source status. 1'b0: Inactive 1'b1: Active
1	RO	0x0	wakeup_cpu1_int_st CPU1 interrupt as wake up source status. 1'b0: Inactive 1'b1: Active
0	RO	0x0	wakeup_cpu0_int_st CPU0 interrupt as wake up source status. 1'b0: Inactive 1'b1: Active

**PMU\_DDR\_CHO\_PWR\_CON**

Address: Operational Base + offset (0x4020)

Bit	Attr	Reset Value	Description
31:16	WO	0x0000	write_enable Write enable for lower 16 bits, each bit is individual. 1'b0: Write access disable 1'b1: Write access enable
15:11	RO	0x00	reserved
10	RW	0x0	ddrphy_auto_gating_ena Enable DDRPHY auto clock gating. DDRPHY's clock can be gated when in sleep mode. 1'b0: Disable 1'b1: Enable
9	RW	0x0	ddrctl_c_auto_gating_ena Enable DDRCTRL's core-clock auto clock gating. Core-clock can be gated when in self-refresh mode. 1'b0: Disable 1'b1: Enable

Bit	Attr	Reset Value	Description
8	RW	0x0	ddrctl_a_auto_gating_ena Enable DDRCTRL's AXI-clock auto clock gating. AXI-clock can be gated when in self-refresh mode. 1'b0: Disable 1'b1: Enable
7	RW	0x0	ddrio_rstiov_exit_ena Enable DDR exits retention mode through RST_IOV by hardware. 1'b0: Disable 1'b1: Enable
6	RW	0x0	ddrio_rstiov_enter_ena Enable DDR enters retention mode through RST_IOV by hardware. 1'b0: Disable 1'b1: Enable
5	RW	0x0	ddrio_reton_exit_ena Enable DDR exits retention mode through RETON/RETOFF by hardware. 1'b0: Disable 1'b1: Enable
4:3	RO	0x0	reserved
2	RW	0x0	ddrio_reton_enter_ena Enable DDR enters retention mode through RETON/RETOFF by hardware. 1'b0: Disable 1'b1: Enable
1	RW	0x0	ddr_sref_a_ena Enable DDR self-refresh mode for AXI-clock domain by hardware. 1'b0: Disable 1'b1: Enable
0	RW	0x0	ddr_sref_c_ena Enable DDR self-refresh mode for core-clock domain by hardware. 1'b0: Disable 1'b1: Enable

**PMU DDR CH1 PWR CON**

Address: Operational Base + offset (0x4024)

Bit	Attr	Reset Value	Description
31:16	WO	0x0000	write_enable Write enable for lower 16 bits, each bit is individual. 1'b0: Write access disable 1'b1: Write access enable
15:11	RO	0x00	reserved
10	RW	0x0	ddrphy_auto_gating_ena Enable DDRPHY auto clock gating. DDRPHY's clock can be gated when in sleep mode. 1'b0: Disable 1'b1: Enable
9	RW	0x0	ddrctl_c_auto_gating_ena Enable DDRCTRL's core-clock auto clock gating. Core-clock can be gated when in self-refresh mode. 1'b0: Disable 1'b1: Enable

Bit	Attr	Reset Value	Description
8	RW	0x0	ddrctl_a_auto_gating_ena Enable DDRCTRL's AXI-clock auto clock gating. AXI-clock can be gated when in self-refresh mode. 1'b0: Disable 1'b1: Enable
7	RW	0x0	ddrio_rstiov_exit_ena Enable DDR exits retention mode through RST_IOV by hardware. 1'b0: Disable 1'b1: Enable
6	RW	0x0	ddrio_rstiov_enter_ena Enable DDR enters retention mode through RST_IOV by hardware. 1'b0: Disable 1'b1: Enable
5	RW	0x0	ddrio_reton_exit_ena Enable DDR exits retention mode through RETON/RETOFF by hardware. 1'b0: Disable 1'b1: Enable
4:3	RO	0x0	reserved
2	RW	0x0	ddrio_reton_enter_ena Enable DDR enters retention mode through RETON/RETOFF by hardware. 1'b0: Disable 1'b1: Enable
1	RW	0x0	ddr_sref_a_ena Enable DDR self-refresh mode for AXI-clock domain by hardware. 1'b0: Disable 1'b1: Enable
0	RW	0x0	ddr_sref_c_ena Enable DDR self-refresh mode for core-clock domain by hardware. 1'b0: Disable 1'b1: Enable

**PMU DDR CH2 PWR CON**

Address: Operational Base + offset (0x4028)

Bit	Attr	Reset Value	Description
31:16	WO	0x0000	write_enable Write enable for lower 16 bits, each bit is individual. 1'b0: Write access disable 1'b1: Write access enable
15:11	RO	0x00	reserved
10	RW	0x0	ddrphy_auto_gating_ena Enable DDRPHY auto clock gating. DDRPHY's clock can be gated when in sleep mode. 1'b0: Disable 1'b1: Enable
9	RW	0x0	ddrctl_c_auto_gating_ena Enable DDRCTRL's core-clock auto clock gating. Core-clock can be gated when in self-refresh mode. 1'b0: Disable 1'b1: Enable

Bit	Attr	Reset Value	Description
8	RW	0x0	ddrctl_a_auto_gating_ena Enable DDRCTRL's AXI-clock auto clock gating. AXI-clock can be gated when in self-refresh mode. 1'b0: Disable 1'b1: Enable
7	RW	0x0	ddrio_rstiov_exit_ena Enable DDR exits retention mode through RST_IOV by hardware. 1'b0: Disable 1'b1: Enable
6	RW	0x0	ddrio_rstiov_enter_ena Enable DDR enters retention mode through RST_IOV by hardware. 1'b0: Disable 1'b1: Enable
5	RW	0x0	ddrio_reton_exit_ena Enable DDR exits retention mode through RETON/RETOFF by hardware. 1'b0: Disable 1'b1: Enable
4:3	RO	0x0	reserved
2	RW	0x0	ddrio_reton_enter_ena Enable DDR enters retention mode through RETON/RETOFF by hardware. 1'b0: Disable 1'b1: Enable
1	RW	0x0	ddr_sref_a_ena Enable DDR self-refresh mode for AXI-clock domain by hardware. 1'b0: Disable 1'b1: Enable
0	RW	0x0	ddr_sref_c_ena Enable DDR self-refresh mode for core-clock domain by hardware. 1'b0: Disable 1'b1: Enable

**PMU DDR CH3 PWR CON**

Address: Operational Base + offset (0x402C)

Bit	Attr	Reset Value	Description
31:16	WO	0x0000	write_enable Write enable for lower 16 bits, each bit is individual. 1'b0: Write access disable 1'b1: Write access enable
15:11	RO	0x00	reserved
10	RW	0x0	ddrphy_auto_gating_ena Enable DDRPHY auto clock gating. DDRPHY's clock can be gated when in sleep mode. 1'b0: Disable 1'b1: Enable
9	RW	0x0	ddrctl_c_auto_gating_ena Enable DDRCTRL's core-clock auto clock gating. Core-clock can be gated when in self-refresh mode. 1'b0: Disable 1'b1: Enable



Bit	Attr	Reset Value	Description
8	RW	0x0	ddrctl_a_auto_gating_ena Enable DDRCTRL's AXI-clock auto clock gating. AXI-clock can be gated when in self-refresh mode. 1'b0: Disable 1'b1: Enable
7	RW	0x0	ddrio_rstiov_exit_ena Enable DDR exits retention mode through RST_IOV by hardware. 1'b0: Disable 1'b1: Enable
6	RW	0x0	ddrio_rstiov_enter_ena Enable DDR enters retention mode through RST_IOV by hardware. 1'b0: Disable 1'b1: Enable
5	RW	0x0	ddrio_reton_exit_ena Enable DDR exits retention mode through RETON/RETOFF by hardware. 1'b0: Disable 1'b1: Enable
4:3	RO	0x0	reserved
2	RW	0x0	ddrio_reton_enter_ena Enable DDR enters retention mode through RETON/RETOFF by hardware. 1'b0: Disable 1'b1: Enable
1	RW	0x0	ddr_sref_a_ena Enable DDR self-refresh mode for AXI-clock domain by hardware. 1'b0: Disable 1'b1: Enable
0	RW	0x0	ddr_sref_c_ena Enable DDR self-refresh mode for core-clock domain by hardware. 1'b0: Disable 1'b1: Enable

**PMU DDR CHO PWR SFTCON**

Address: Operational Base + offset (0x4030)

Bit	Attr	Reset Value	Description
31:16	WO	0x0000	write_enable Write enable for lower 16 bits, each bit is individual. 1'b0: Write access disable 1'b1: Write access enable
15:12	RO	0x0	reserved
11	RW	0x0	ddrctl_c_active_wait_enter 1'b0: Not need to wait for ddrctl_c_active low before FSM enter self-refresh state 1'b1: Need to wait for ddrctl_c_active low before FSM enter self-refresh state
10	RW	0x0	ddrctl_a_active_wait_exit 1'b0: Not need to wait for ddrctl_a_active high before FSM exit self-refresh state 1'b1: Need to wait for ddrctl_a_active high before FSM exit self-refresh state

Bit	Attr	Reset Value	Description
9	RW	0x0	ddrctl_c_active_wait_exit 1'b0: Not need to wait for ddrctl_c_active high before FSM exit self-refresh state 1'b1: Need to wait for ddrctl_c_active high before FSM exit self-refresh state
8	RW	0x0	ddrctl_a_active_wait_enter 1'b0: Not need to wait for ddrctl_a_active low before FSM enter self-refresh state 1'b1: Need to wait for ddrctl_a_active low before FSM enter self-refresh state
7	R/W SC	0x0	ddrio_rstiov_exit_sftena Enable DDR exits retention mode through RST_IOV by software. It is auto cleared after DDR exits retention mode. 1'b0: Disable 1'b1: Enable
6	RW	0x0	ddrio_rstiov_enter_sftena Enable DDR enters retention mode through RST_IOV by software. 1'b0: Disable 1'b1: Enable
5	R/W SC	0x0	ddrio_reton_exit_sftena Enable DDR exits retention mode through RETON/RETOFF by software. It is auto cleared after DDR exits retention mode. 1'b0: Disable 1'b1: Enable
4:3	RO	0x0	reserved
2	RW	0x0	ddrio_reton_enter_sftena Enable DDR enters retention mode through RETON/RETOFF by software. 1'b0: Disable 1'b1: Enable
1	RW	0x0	ddr_sref_a_sftena Enable DDR self-refresh mode for AXI-clock domain by software. 1'b0: Disable 1'b1: Enable
0	RW	0x0	ddr_sref_c_sftena Enable DDR self-refresh mode for core-clock domain by software. 1'b0: Disable 1'b1: Enable

**PMU DDR CH1 PWR SFTCON**

Address: Operational Base + offset (0x4034)

Bit	Attr	Reset Value	Description
31:16	WO	0x0000	write_enable Write enable for lower 16 bits, each bit is individual. 1'b0: Write access disable 1'b1: Write access enable
15:12	RO	0x0	reserved
11	RW	0x0	ddrctl_c_active_wait_enter 1'b0: Not need to wait for ddrctl_c_active low before FSM enter self-refresh state 1'b1: Need to wait for ddrctl_c_active low before FSM enter self-refresh state

Bit	Attr	Reset Value	Description
10	RW	0x0	ddrctl_a_active_wait_exit 1'b0: Not need to wait for ddrctl_a_active high before FSM exit self-refresh state 1'b1: Need to wait for ddrctl_a_active high before FSM exit self-refresh state
9	RW	0x0	ddrctl_c_active_wait_exit 1'b0: Not need to wait for ddrctl_c_active high before FSM exit self-refresh state 1'b1: Need to wait for ddrctl_c_active high before FSM exit self-refresh state
8	RW	0x0	ddrctl_a_active_wait_enter 1'b0: Not need to wait for ddrctl_a_active low before FSM enter self-refresh state 1'b1: Need to wait for ddrctl_a_active low before FSM enter self-refresh state
7	R/W SC	0x0	ddrio_rstiov_exit_sftena Enable DDR exits retention mode through RST_IOV by software. It is auto cleared after DDR exits retention mode. 1'b0: Disable 1'b1: Enable
6	RW	0x0	ddrio_rstiov_enter_sftena Enable DDR enters retention mode through RST_IOV by software. 1'b0: Disable 1'b1: Enable
5	R/W SC	0x0	ddrio_reton_exit_sftena Enable DDR exits retention mode through RETON/RETOFF by software. It is auto cleared after DDR exits retention mode. 1'b0: Disable 1'b1: Enable
4:3	RO	0x0	reserved
2	RW	0x0	ddrio_reton_enter_sftena Enable DDR enters retention mode through RETON/RETOFF by software. 1'b0: Disable 1'b1: Enable
1	RW	0x0	ddr_sref_a_sftena Enable DDR self-refresh mode for AXI-clock domain by software. 1'b0: Disable 1'b1: Enable
0	RW	0x0	ddr_sref_c_sftena Enable DDR self-refresh mode for core-clock domain by software. 1'b0: Disable 1'b1: Enable

**PMU\_DDR\_CH2\_PWR\_SFTCON**

Address: Operational Base + offset (0x4038)

Bit	Attr	Reset Value	Description
31:16	WO	0x0000	write_enable Write enable for lower 16 bits, each bit is individual. 1'b0: Write access disable 1'b1: Write access enable
15:12	RO	0x0	reserved

Bit	Attr	Reset Value	Description
11	RW	0x0	ddrctl_c_active_wait_enter 1'b0: Not need to wait for ddrctl_c_active low before FSM enter self-refresh state 1'b1: Need to wait for ddrctl_c_active low before FSM enter self-refresh state
10	RW	0x0	ddrctl_a_active_wait_exit 1'b0: Not need to wait for ddrctl_a_active high before FSM exit self-refresh state 1'b1: Need to wait for ddrctl_a_active high before FSM exit self-refresh state
9	RW	0x0	ddrctl_c_active_wait_exit 1'b0: Not need to wait for ddrctl_c_active high before FSM exit self-refresh state 1'b1: Need to wait for ddrctl_c_active high before FSM exit self-refresh state
8	RW	0x0	ddrctl_a_active_wait_enter 1'b0: Not need to wait for ddrctl_a_active low before FSM enter self-refresh state 1'b1: Need to wait for ddrctl_a_active low before FSM enter self-refresh state
7	R/W SC	0x0	ddrio_rstiov_exit_sftena Enable DDR exits retention mode through RST_IOV by software. It is auto cleared after DDR exits retention mode. 1'b0: Disable 1'b1: Enable
6	RW	0x0	ddrio_rstiov_enter_sftena Enable DDR enters retention mode through RST_IOV by software. 1'b0: Disable 1'b1: Enable
5	R/W SC	0x0	ddrio_reton_exit_sftena Enable DDR exits retention mode through RETON/RETOFF by software. It is auto cleared after DDR exits retention mode. 1'b0: Disable 1'b1: Enable
4:3	RO	0x0	reserved
2	RW	0x0	ddrio_reton_enter_sftena Enable DDR enters retention mode through RETON/RETOFF by software. 1'b0: Disable 1'b1: Enable
1	RW	0x0	ddr_sref_a_sftena Enable DDR self-refresh mode for AXI-clock domain by software. 1'b0: Disable 1'b1: Enable
0	RW	0x0	ddr_sref_c_sftena Enable DDR self-refresh mode for core-clock domain by software. 1'b0: Disable 1'b1: Enable

**PMU DDR CH3 PWR SFTCON**

Address: Operational Base + offset (0x403C)

Bit	Attr	Reset Value	Description
31:16	WO	0x0000	write_enable Write enable for lower 16 bits, each bit is individual. 1'b0: Write access disable 1'b1: Write access enable
15:12	RO	0x0	reserved
11	RW	0x0	ddrctl_c_active_wait_enter 1'b0: Not need to wait for ddrctl_c_active low before FSM enter self-refresh state 1'b1: Need to wait for ddrctl_c_active low before FSM enter self-refresh state
10	RW	0x0	ddrctl_a_active_wait_exit 1'b0: Not need to wait for ddrctl_a_active high before FSM exit self-refresh state 1'b1: Need to wait for ddrctl_a_active high before FSM exit self-refresh state
9	RW	0x0	ddrctl_c_active_wait_exit 1'b0: Not need to wait for ddrctl_c_active high before FSM exit self-refresh state 1'b1: Need to wait for ddrctl_c_active high before FSM exit self-refresh state
8	RW	0x0	ddrctl_a_active_wait_enter 1'b0: Not need to wait for ddrctl_a_active low before FSM enter self-refresh state 1'b1: Need to wait for ddrctl_a_active low before FSM enter self-refresh state
7	R/W SC	0x0	ddrio_rstiov_exit_sftena Enable DDR exits retention mode through RST_IOV by software. It is auto cleared after DDR exits retention mode. 1'b0: Disable 1'b1: Enable
6	RW	0x0	ddrio_rstiov_enter_sftena Enable DDR enters retention mode through RST_IOV by software. 1'b0: Disable 1'b1: Enable
5	R/W SC	0x0	ddrio_reton_exit_sftena Enable DDR exits retention mode through RETON/RETOFF by software. It is auto cleared after DDR exits retention mode. 1'b0: Disable 1'b1: Enable
4:3	RO	0x0	reserved
2	RW	0x0	ddrio_reton_enter_sftena Enable DDR enters retention mode through RETON/RETOFF by software. 1'b0: Disable 1'b1: Enable
1	RW	0x0	ddr_sref_a_sftena Enable DDR self-refresh mode for AXI-clock domain by software. 1'b0: Disable 1'b1: Enable
0	RW	0x0	ddr_sref_c_sftena Enable DDR self-refresh mode for core-clock domain by software. 1'b0: Disable 1'b1: Enable

**PMU DDR POWER STS**

Address: Operational Base + offset (0x4040)

Bit	Attr	Reset Value	Description
31:4	RO	0x0000000	reserved
3:0	RO	0x0	ddr_power_state DDR power state. 4'h0: Normal state 4'h1: Enter self-refresh mode for AXI-clock state 4'h2: Enter self-refresh mode core-clock state 4'h3: Enter retention mode through RETON/RETOFF state 4'h4: Enter retention mode through RST_IOV state 4'h5: Sleep state 4'h6: Exit retention mode through RST_IOV state 4'h7: Exit retention mode through RETON/RETOFF state 4'h8: Exit self-refresh mode for core-clock state 4'h9: Exit self-refresh mode for AXI-clock state Others: Reserved

**PMU DDR STS**

Address: Operational Base + offset (0x4044)

Bit	Attr	Reset Value	Description
31:30	RO	0x0	reserved
29	RO	0x0	ddr_ch3_io_rstiov DDR RST_IOV state for channel 3. 1'b0: Inactive 1'b1: Active
28	RO	0x0	ddrctrl_ch3_a_sysactive DDRC AXI clock active for channel 3. 1'b0: Inactive 1'b1: Active
27	RO	0x0	ddrctrl_ch3_a_sysack DDRC AXI hardware low-power request acknowledge for channel 3. 1'b0: Inactive 1'b1: Active
26	RO	0x0	ddr_ch3_io_reton DDR RETON/RETOFF state for channel 3. 1'b0: Inactive 1'b1: Active
25	RO	0x0	ddrctrl_ch3_c_sysactive DDRC hardware low-power clock active for channel 3. 1'b0: Inactive 1'b1: Active
24	RO	0x0	ddrctrl_ch3_c_sysack DDRC hardware low-power request acknowledge for channel 3. 1'b0: Inactive 1'b1: Active
23:22	RO	0x0	reserved
21	RO	0x0	ddr_ch2_io_rstiov DDR RST_IOV state for channel 2. 1'b0: Inactive 1'b1: Active
20	RO	0x0	ddrctrl_ch2_a_sysactive DDRC AXI clock active for channel 2. 1'b0: Inactive 1'b1: Active

Bit	Attr	Reset Value	Description
19	RO	0x0	ddrctrl_ch2_a_sysack DDR AXI hardware low-power request acknowledge for channel 2. 1'b0: Inactive 1'b1: Active
18	RO	0x0	ddr_ch2_io_reton DDR RETON/RETOFF state for channel 2. 1'b0: Inactive 1'b1: Active
17	RO	0x0	ddrctrl_ch2_c_sysactive DDR hardware low-power clock active for channel 2. 1'b0: Inactive 1'b1: Active
16	RO	0x0	ddrctrl_ch2_c_sysack DDR hardware low-power request acknowledge for channel 2. 1'b0: Inactive 1'b1: Active
15:14	RO	0x0	reserved
13	RO	0x0	ddr_ch1_io_rstiov DDR RST_IOV state for channel 1. 1'b0: Inactive 1'b1: Active
12	RO	0x0	ddrctrl_ch1_a_sysactive DDR AXI clock active for channel 1. 1'b0: Inactive 1'b1: Active
11	RO	0x0	ddrctrl_ch1_a_sysack DDR AXI hardware low-power request acknowledge for channel 1. 1'b0: Inactive 1'b1: Active
10	RO	0x0	ddr_ch1_io_reton DDR RETON/RETOFF state for channel 1. 1'b0: Inactive 1'b1: Active
9	RO	0x0	ddrctrl_ch1_c_sysactive DDR hardware low-power clock active for channel 1. 1'b0: Inactive 1'b1: Active
8	RO	0x0	ddrctrl_ch1_c_sysack DDR hardware low-power request acknowledge for channel 1. 1'b0: Inactive 1'b1: Active
7:6	RO	0x0	reserved
5	RO	0x0	ddr_ch0_io_rstiov DDR RST_IOV state for channel 0. 1'b0: Inactive 1'b1: Active
4	RO	0x0	ddrctrl_ch0_a_sysactive DDR AXI clock active for channel 0. 1'b0: Inactive 1'b1: Active

Bit	Attr	Reset Value	Description
3	RO	0x0	ddrctrl_ch0_a_sysack DDR AXI hardware low-power request acknowledge for channel 0. 1'b0: Inactive 1'b1: Active
2	RO	0x0	ddr_ch0_io_reton DDR RETON/RETOFF state for channel 0. 1'b0: Inactive 1'b1: Active
1	RO	0x0	ddrctrl_ch0_c_sysactive DDR hardware low-power clock active for channel 0. 1'b0: Inactive 1'b1: Active
0	RO	0x0	ddrctrl_ch0_c_sysack DDR hardware low-power request acknowledge for channel 0. 1'b0: Inactive 1'b1: Active

**PMU CRU PWR CON**

Address: Operational Base + offset (0x4050)

Bit	Attr	Reset Value	Description
31:16	WO	0x0000	write_enable Write enable for lower 16 bits, each bit is individual. 1'b0: Write access disable 1'b1: Write access enable
15:11	RO	0x00	reserved
10	RW	0x0	power_off_io_ena Enable VCCIO enter low power mode by hardware. 1'b0: Disable 1'b1: Enable
9	RW	0x0	pd_bus_clk_src_gate_ena Gating BIU_BUS's clock source during clock low power mode. 1'b0: Disable 1'b1: Enable
8	RW	0x0	pwm_switch_iout PWM output. 1'b0: Disable 1'b1: Enable It is set 0 for RK3588.
7	RW	0x0	pwm_gpio_ioe_ena PWM output enable. 1'b0: Disable 1'b1: Enable It is set 0 for RK3588.
6	RW	0x0	pwm_switch_ena PWM switch enable. 1'b0: Disable 1'b1: Enable It is set 0 for RK3588.
5	RW	0x0	power_off_ena Enable chip power off by hardware. 1'b0: Disable 1'b1: Enable



Bit	Attr	Reset Value	Description
4	RW	0x0	alive_osc_ena Enable clk_pmu/hclk_pmu/pclk_pmu switch to oscillator by hardware. When alive_32k_ena is asserted, this bit is ignored. 1'b0: Disable 1'b1: Enable
3	RW	0x0	input_clamp_ena Enable VD_PMU input clamped by hardware. 1'b0: Disable 1'b1: Enable
2	RW	0x0	wakeup_rst_ena Enable wake up reset by hardware. If asserted, all registers without reset hold will be reset after chip wake up. 1'b0: Disable 1'b1: Enable
1	RW	0x0	osc_dis_ena Disable oscillator by hardware. 1'b0: Enable 1'b1: Disable
0	RW	0x0	alive_32k_ena Enable pclk_pmu and clk_pmu switch to 32KHz clock by hardware. 1'b0: Disable 1'b1: Enable

**PMU CRU PWR SFTCON**

Address: Operational Base + offset (0x4054)

Bit	Attr	Reset Value	Description
31:16	WO	0x0000	write_enable Write enable for lower 16 bits, each bit is individual. 1'b0: Write access disable 1'b1: Write access enable
15:7	RO	0x000	reserved
6	RW	0x0	power_off_io_sftena Enable VCCIO enter low power mode by software. 1'b0: Disable 1'b1: Enable
5	RW	0x0	power_off_sftena Enable chip power off by software. 1'b0: Disable 1'b1: Enable
4	RW	0x0	alive_osc_sftena Enable clk_pmu/hclk_pmu/pclk_pmu switch to oscillator by software. When alive_32k_ena is asserted, this bit is ignored. 1'b0: Disable 1'b1: Enable
3	RW	0x0	input_clamp_sftena Enable VD_PMU input clamp by software. 1'b0: Disable 1'b1: Enable
2	RW	0x0	wakeup_rst_sftena Enable wake up reset by software. If asserted, all digital except IP with reset hold will be reset. 1'b0: Disable 1'b1: Enable

Bit	Attr	Reset Value	Description
1	RW	0x0	osc_dis_sftena Disable oscillator by software. 1'b0: Enable 1'b1: Disable
0	RW	0x0	alive_32k_sftena Enable pclk_pmu and clk_pmu switch to 32KHz clock by software. 1'b0: Disable 1'b1: Enable

**PMU CRU POWER STS**

Address: Operational Base + offset (0x4058)

Bit	Attr	Reset Value	Description
31:4	RO	0x0000000	reserved
3:0	RO	0x0	cru_power_state Clock and reset power state. 4'h0: Normal state 4'h1: Clock low frequency state 4'h2: PLL power down state 4'h3: Input clamp state 4'h4: Oscillator disable state 4'h5: Sleep state 4'h6: Wake up state 4'h7: Input clamp release state 4'h8: Oscillator enable state 4'h9: Clock high frequency state 4'ha: Wake up reset clear state 4'hc: PLL power up state Others: Reserved

**PMU PLLPD CON0**

Address: Operational Base + offset (0x4060)

Bit	Attr	Reset Value	Description
31:16	WO	0x0000	write_enable Write enable for lower 16 bits, each bit is individual. 1'b0: Write access disable 1'b1: Write access enable
15	RW	0x0	npll_pd_ena Enable power down NPLL by hardware. 1'b0: Disable 1'b1: Enable
14	RW	0x0	cppll_pd_ena Enable power down CPLL by hardware. 1'b0: Disable 1'b1: Enable
13	RW	0x0	gppll_pd_ena Enable power down GPLL by hardware. 1'b0: Disable 1'b1: Enable
12	RW	0x0	aupll_pd_ena Enable power down AUPLL by hardware. 1'b0: Disable 1'b1: Enable

Bit	Attr	Reset Value	Description
11	RW	0x0	v0pll_pd_ena Enable power down V0PLL by hardware. 1'b0: Disable 1'b1: Enable
10	RW	0x0	d3bpll_pd_ena Enable power down D3BPLL by hardware. 1'b0: Disable 1'b1: Enable
9	RW	0x0	d3apll_pd_ena Enable power down D3APLL by hardware. 1'b0: Disable 1'b1: Enable
8	RW	0x0	d2bpll_pd_ena Enable power down D2BPLL by hardware. 1'b0: Disable 1'b1: Enable
7	RW	0x0	d2apll_pd_ena Enable power down D2APLL by hardware. 1'b0: Disable 1'b1: Enable
6	RW	0x0	d1bpll_pd_ena Enable power down D1BPLL by hardware. 1'b0: Disable 1'b1: Enable
5	RW	0x0	d1apll_pd_ena Enable power down D1APLL by hardware. 1'b0: Disable 1'b1: Enable
4	RW	0x0	d0bpll_pd_ena Enable power down D0BPLL by hardware. 1'b0: Disable 1'b1: Enable
3	RW	0x0	d0apll_pd_ena Enable power down D0APLL by hardware. 1'b0: Disable 1'b1: Enable
2	RW	0x0	lppll_pd_ena Enable power down LPLL by hardware. 1'b0: Disable 1'b1: Enable
1	RW	0x0	b1pll_pd_ena Enable power down B1PLL by hardware. 1'b0: Disable 1'b1: Enable
0	RW	0x0	b0pll_pd_ena Enable power down B0PLL by hardware. 1'b0: Disable 1'b1: Enable

**PMU PLLPD CON1**

Address: Operational Base + offset (0x4064)

Bit	Attr	Reset Value	Description
31:16	WO	0x0000	write_enable Write enable for lower 16 bits, each bit is individual. 1'b0: Write access disable 1'b1: Write access enable
15:2	RO	0x0000	reserved
1	RW	0x0	sppll_pd_ena Enable power down SPLL by hardware. 1'b0: Disable 1'b1: Enable
0	RW	0x0	ppll_pd_ena Enable power down PPLL by hardware. 1'b0: Disable 1'b1: Enable

**PMU PLLPD SFTCON0**

Address: Operational Base + offset (0x4068)

Bit	Attr	Reset Value	Description
31:16	WO	0x0000	write_enable Write enable for lower 16 bits, each bit is individual. 1'b0: Write access disable 1'b1: Write access enable
15	RW	0x0	nppll_pd_sftena Enable power down NPLL by software. 1'b0: Disable 1'b1: Enable
14	RW	0x0	cppll_pd_sftena Enable power down CPLL by software. 1'b0: Disable 1'b1: Enable
13	RW	0x0	gppll_pd_sftena Enable power down GPLL by software. 1'b0: Disable 1'b1: Enable
12	RW	0x0	auppll_pd_sftena Enable power down AUPLL by software. 1'b0: Disable 1'b1: Enable
11	RW	0x0	v0pll_pd_sftena Enable power down V0PLL by software. 1'b0: Disable 1'b1: Enable
10	RW	0x0	d3bppll_pd_sftena Enable power down D3BPLL by software. 1'b0: Disable 1'b1: Enable
9	RW	0x0	d3appll_pd_sftena Enable power down D3APLL by software. 1'b0: Disable 1'b1: Enable
8	RW	0x0	d2bppll_pd_sftena Enable power down D2BPLL by software. 1'b0: Disable 1'b1: Enable

Bit	Attr	Reset Value	Description
7	RW	0x0	d2apll_pd_sftena Enable power down D2APLL by software. 1'b0: Disable 1'b1: Enable
6	RW	0x0	d1bppll_pd_sftena Enable power down D1BPLL by software. 1'b0: Disable 1'b1: Enable
5	RW	0x0	d1apll_pd_sftena Enable power down D1APLL by software. 1'b0: Disable 1'b1: Enable
4	RW	0x0	d0bppll_pd_sftena Enable power down D0BPLL by software. 1'b0: Disable 1'b1: Enable
3	RW	0x0	d0apll_pd_sftena Enable power down D0APLL by software. 1'b0: Disable 1'b1: Enable
2	RW	0x0	lppll_pd_sftena Enable power down LPLL by software. 1'b0: Disable 1'b1: Enable
1	RW	0x0	b1pll_pd_sftena Enable power down B1PLL by software. 1'b0: Disable 1'b1: Enable
0	RW	0x0	b0pll_pd_sftena Enable power down B0PLL by software. 1'b0: Disable 1'b1: Enable

**PMU PLLPD\_SFTCON1**

Address: Operational Base + offset (0x406C)

Bit	Attr	Reset Value	Description
31:16	WO	0x0000	write_enable Write enable for lower 16 bits, each bit is individual. 1'b0: Write access disable 1'b1: Write access enable
15:2	RO	0x0000	reserved
1	RW	0x0	sppll_pd_sftena Enable power down SPPLL by software. 1'b0: Disable 1'b1: Enable
0	RW	0x0	ppll_pd_sftena Enable power down PPLL by software. 1'b0: Disable 1'b1: Enable

**PMU PMIC\_STABLE\_CNT**

Address: Operational Base + offset (0x4080)

Bit	Attr	Reset Value	Description
31:20	RO	0x000	reserved

Bit	Attr	Reset Value	Description
19:0	RW	0xfffff	pmic_stable_cnt PMIC stable count for mode 1 procedure. Number of clk_pmu used by counter logic.

**PMU OSC STABLE CNT**

Address: Operational Base + offset (0x4084)

Bit	Attr	Reset Value	Description
31:20	RO	0x000	reserved
19:0	RW	0xfffff	osc_stable_cnt Oscillator stable count for mode 1 procedure. Number of clk_pmu used by counter logic.

**PMU WAKEUP RST CLR CNT**

Address: Operational Base + offset (0x4088)

Bit	Attr	Reset Value	Description
31:20	RO	0x000	reserved
19:0	RW	0xfffff	wakeup_rst_clr_cnt Wake up reset clear count for mode 1 procedure. Number of clk_pmu used by counter logic.

**PMU PLL LOCK CNT**

Address: Operational Base + offset (0x408C)

Bit	Attr	Reset Value	Description
31:20	RO	0x000	reserved
19:0	RW	0xfffff	pll_lock_cnt Count for PLL from power up to lock. Number of clk_pmu used by counter logic.

**PMU WAKEUP TIMEOUT CNT**

Address: Operational Base + offset (0x4094)

Bit	Attr	Reset Value	Description
31:20	RO	0x000	reserved
19:0	RW	0x05dc0	wakeup_timeout_cnt Wake up timeout count. Number of clk_pmu used by counter logic.

**PMU PWM SWITCH CNT**

Address: Operational Base + offset (0x4098)

Bit	Attr	Reset Value	Description
31:20	RO	0x000	reserved
19:0	RW	0xfffff	pwm_switch_cnt PWM switch count. Number of clk_pmu used by counter logic.

**PMU SYS REG0**

Address: Operational Base + offset (0x4100)

Bit	Attr	Reset Value	Description
31:0	RW	0x00000000	sys_reg System register. It cannot be reset by software.

**PMU SYS REG1**

Address: Operational Base + offset (0x4104)

Bit	Attr	Reset Value	Description
31:0	RW	0x00000000	sys_reg System register. It cannot be reset by software.

**PMU SYS REG2**

Address: Operational Base + offset (0x4108)

Bit	Attr	Reset Value	Description
31:0	RW	0x00000000	sys_reg System register. It cannot be reset by software.

**PMU SYS REG3**

Address: Operational Base + offset (0x410C)

Bit	Attr	Reset Value	Description
31:0	RW	0x00000000	sys_reg System register. It cannot be reset by software.

**PMU SYS REG4**

Address: Operational Base + offset (0x4110)

Bit	Attr	Reset Value	Description
31:0	RW	0x00000000	sys_reg System register. It cannot be reset by software.

**PMU SYS REG5**

Address: Operational Base + offset (0x4114)

Bit	Attr	Reset Value	Description
31:0	RW	0x00000000	sys_reg System register. It cannot be reset by software.

**PMU SYS REG6**

Address: Operational Base + offset (0x4118)

Bit	Attr	Reset Value	Description
31:0	RW	0x00000000	sys_reg System register. It cannot be reset by software.

**PMU SYS REG7**

Address: Operational Base + offset (0x411C)

Bit	Attr	Reset Value	Description
31:0	RW	0x00000000	sys_reg System register. It cannot be reset by software.

**PMU PWR CON2**

Address: Operational Base + offset (0x8000)

Bit	Attr	Reset Value	Description
31:16	WO	0x0000	write_enable Write enable for lower 16 bits, each bit is individual. 1'b0: Write access disable 1'b1: Write access enable
15:8	RO	0x00	reserved
7	RW	0x0	cpu7_lp_bypass Bypass CPU7 low power flow. 1'b0: Disable 1'b1: Enable
6	RW	0x0	cpu6_lp_bypass Bypass CPU6 low power flow. 1'b0: Disable 1'b1: Enable

Bit	Attr	Reset Value	Description
5	RW	0x0	cpu5_lp_bypass Bypass CPU5 low power flow. 1'b0: Disable 1'b1: Enable
4	RW	0x0	cpu4_lp_bypass Bypass CPU4 low power flow. 1'b0: Disable 1'b1: Enable
3	RW	0x0	cpu3_lp_bypass Bypass CPU3 low power flow. 1'b0: Disable 1'b1: Enable
2	RW	0x0	cpu2_lp_bypass Bypass CPU2 low power flow. 1'b0: Disable 1'b1: Enable
1	RW	0x0	cpu1_lp_bypass Bypass CPU1 low power flow. 1'b0: Disable 1'b1: Enable
0	RW	0x0	cpu0_lp_bypass Bypass CPU0 low power flow. 1'b0: Disable 1'b1: Enable

**PMU\_DSU\_PWR\_CON**

Address: Operational Base + offset (0x8004)

Bit	Attr	Reset Value	Description
31:16	WO	0x0000	write_enable Write enable for lower 16 bits, each bit is individual. 1'b0: Write access disable 1'b1: Write access enable
15:11	RO	0x00	reserved
10	RW	0x0	dsu_mem_dwn_ack_clamp_ena Enable clamp for VD_DSU memory power down acknowledge. This bit should be set to 1 if dsu_pwroff_ena=1 and VD_DSU will be power off. 1'b0: Disable 1'b1: Enable
9:5	RW	0x00	dsu_mem_dwn_ack_bypass Bypass VD_DSU memory power down acknowledge. Bit[5] used to bypass "Snoop filter and LTDB RAMs" memory power down acknowledge. Bit[6] used to bypass "L3 Tag ways 0~3, L3 Data portion 0, and L3 Victim RAMs" memory power down acknowledge. Bit[7] used to bypass "L3 Tag ways 4~7" memory power down acknowledge. Bit[8] used to bypass "L3 Tag ways 8~11, L3 Data portion 1 RAMs" memory power down acknowledge. Bit[9] used to bypass other memory power down acknowledge. If memory is power down before DSU enter power down mode, you should set relative bypass bit high. 1'b0: Disable 1'b1: Enable
4	RO	0x0	reserved



Bit	Attr	Reset Value	Description
3	RW	0x0	dsu_funcret_ena Enable DSU FUNC_RET mode by hardware. 1'b0: Disable 1'b1: Enable
2	RW	0x0	dsu_clusterpactive_bit_full_flag CLUSTERPACTIVE bit full flag. If DSU power mode wants to transfer from any mode to FULL ON or FULL FUNC_RET, this bit should be set to 1. Otherwise, this bit should be set to 0.
1	RW	0x0	dsu_pwroff_ena Enable VD_LITDSU power off by hardware. If you just power down VD_LITDSU memory but not power off VD_LITDSU, this bit should be set to 0. If you want to power off VD_LITDSU by hardware, this bit should be set to 1. 1'b0: Disable 1'b1: Enable
0	RW	0x0	dsu_pwrnd_ena Enable VD_LITDSU power down by hardware. 1'b0: Disable 1'b1: Enable

**PMU DSU PWR SFTCON**

Address: Operational Base + offset (0x8008)

Bit	Attr	Reset Value	Description
31:16	WO	0x0000	write_enable Write enable for lower 16 bits, each bit is individual. 1'b0: Write access disable 1'b1: Write access enable
15:13	RO	0x0	reserved
12	RW	0x0	dsu_sft_clusterpactive_retsf CLUSTERPACTIVE bit generated by software when requested mode is SFONLY FUNC_RET mode. High active. It is auto cleared when CLUSTERPREQ is active. It is used when DSU power mode transition is controlled by software.
11	RW	0x0	dsu_sft_clusterpactive_ret1p4 CLUSTERPACTIVE bit generated by software when requested mode is 1/4 FUNC_RET mode. High active. It is auto cleared when CLUSTERPREQ is active. It is used when DSU power mode transition is controlled by software.
10	RW	0x0	dsu_sft_clusterpactive_ret1p2 CLUSTERPACTIVE bit generated by software when requested mode is 1/2 FUNC_RET mode. High active. It is auto cleared when CLUSTERPREQ is active. It is used when DSU power mode transition is controlled by software.
9	RW	0x0	dsu_sft_clusterpactive_ret3p4 CLUSTERPACTIVE bit generated by software when requested mode is 3/4 FUNC_RET mode. High active. It is auto cleared when CLUSTERPREQ is active. It is used when DSU power mode transition is controlled by software.

Bit	Attr	Reset Value	Description
8	RW	0x0	dsu_sft_clusterpactive_onsf CLUSTERPACTIVE bit generated by software when requested mode is SFONLY ON mode. High active. It is auto cleared when CLUSTERPREQ is active. It is used when DSU power mode transition is controlled by software.
7	RW	0x0	dsu_sft_clusterpactive_on1p4 CLUSTERPACTIVE bit generated by software when requested mode is 1/4 ON mode. High active. It is auto cleared when CLUSTERPREQ is active. It is used when DSU power mode transition is controlled by software.
6	RW	0x0	dsu_sft_clusterpactive_on1p2 CLUSTERPACTIVE bit generated by software when requested mode is 1/2 ON mode. High active. It is auto cleared when CLUSTERPREQ is active. It is used when DSU power mode transition is controlled by software.
5	RW	0x0	dsu_sft_clusterpactive_on3p4 CLUSTERPACTIVE bit generated by software when requested mode is 3/4 ON mode. High active. It is auto cleared when CLUSTERPREQ is active. It is used when DSU power mode transition is controlled by software.
4	RW	0x0	dsu_sft_clusterpactive_funcret CLUSTERPACTIVE bit generated by software when requested mode is FUNC_RET mode. High active. It is auto cleared when CLUSTERPREQ is active. It is used when DSU power mode transition is controlled by software.
3	RW	0x0	dsu_sft_clusterpactive_fullon CLUSTERPACTIVE bit generated by software when requested mode is FULL ON mode. High active. It is auto cleared when CLUSTERPREQ is active. It is used when DSU power mode transition is controlled by software.
2	RW	0x0	dsu_sft_clusterpactive_off CLUSTERPACTIVE bit generated by software when requested mode is OFF mode. High active. It is auto cleared when CLUSTERPREQ is active. It is used when DSU power mode transition is controlled by software.
1	RW	0x0	dsu_pwroff_sftena Enable VD_LITDSU power off by software. 1'b0: Disable 1'b1: Enable
0	RW	0x0	dsu_pwrndn_sftena Enable VD_LITDSU power down by software. 1'b0: Disable 1'b1: Enable

**PMU DSU AUTO PWR CON**

Address: Operational Base + offset (0x800C)

Bit	Attr	Reset Value	Description
31:16	WO	0x0000	write_enable Write enable for lower 16 bits, each bit is individual. 1'b0: Write access disable 1'b1: Write access enable
15:14	RO	0x0	reserved
13	RW	0x0	dsu_auto_retsf_ena Enable DSU enters SFONLY FUNC_RET mode automatically. 1'b0: Disable 1'b1: Enable
12	RW	0x0	dsu_auto_ret1p4_ena Enable DSU enters 1/4 FUNC_RET mode automatically. 1'b0: Disable 1'b1: Enable
11	RW	0x0	dsu_auto_ret1p2_ena Enable DSU enters 1/2 FUNC_RET mode automatically. 1'b0: Disable 1'b1: Enable
10	RW	0x0	dsu_auto_ret3p4_ena Enable DSU enters 3/4 FUNC_RET mode automatically. 1'b0: Disable 1'b1: Enable
9	RW	0x0	dsu_auto_onsf_ena Enable DSU enters SFONLY ON mode automatically. 1'b0: Disable 1'b1: Enable
8	RW	0x0	dsu_auto_on1p4_ena Enable DSU enters 1/4 ON mode automatically. 1'b0: Disable 1'b1: Enable
7	RW	0x0	dsu_auto_on1p2_ena Enable DSU enters 1/2 ON mode automatically. 1'b0: Disable 1'b1: Enable
6	RW	0x0	dsu_auto_on3p4_ena Enable DSU enters 3/4 ON mode automatically. 1'b0: Disable 1'b1: Enable
5	RW	0x0	dsu_auto_fullon_ena Enable DSU enters FULL ON mode automatically. 1'b0: Disable 1'b1: Enable
4	RW	0x0	dsu_auto_funcret_ena Enable DSU enters FUNC_RET mode automatically. 1'b0: Disable 1'b1: Enable
3	RW	0x0	dsu_sft_wakeup_ena Enable VD_LITDSU wake up by software. 1'b0: Wake up source inactive 1'b1: Wake up source active
2	RO	0x0	reserved
1	RW	0x0	dsu_int_wakeup_ena Enable interrupt as VD_LITDSU wake up source. 1'b0: Disable 1'b1: Enable

Bit	Attr	Reset Value	Description
0	R/W SC	0x0	dsu_lp_en Enable VD_LITDSU low power mode. 1'b0: Disable 1'b1: Enable

**PMU CPU0 AUTO PWR CON**

Address: Operational Base + offset (0x8010)

Bit	Attr	Reset Value	Description
31:16	WO	0x0000	write_enable Write enable for lower 16 bits, each bit is individual. 1'b0: Write access disable 1'b1: Write access enable
15:12	RO	0x0	reserved
11	RW	0x0	cpu_dbgrcv_ncpuporeset_ena Enable CPU enters cold reset by assert ncpureset when CPU in debug recovery mode by hardware. 1'b0: Disable 1'b1: Enable
10	RW	0x0	cpu_dbgrcv_ncorerreset_ena Enable CPU enters warm reset by assert ncorereset when CPU in debug recovery mode by hardware. 1'b0: Disable 1'b1: Enable
9	RW	0x0	cpu_only_memoff_ena Enable only power down CPU memory. i.e., just power down memory, but not other digital logic when CPU in OFF mode. 1'b0: Disable 1'b1: Enable
8	RW	0x0	cpu_auto_emuoff_ena Enable CPU emulated off mode by hardware. 1'b0: Disable 1'b1: Enable
7	RW	0x0	cpu_mem_ls_ena Enable CPU memory light sleep mode by hardware. 1'b0: Disable 1'b1: Enable
6	R/W SC	0x0	cpu_dbgrcv_ena Enable CPU debug recovery mode by hardware. It is auto cleared when FSM enters debug recovery state. 1'b0: Disable 1'b1: Enable
5	RO	0x0	reserved
4	RW	0x0	cpu_auto_ret_ena Enable CPU retention mode by hardware. 1'b0: Disable 1'b1: Enable
3	RW	0x0	cpu_sft_wakeup_ena Enable CPU wake up by software. 1'b0: Wake up source inactive 1'b1: Wake up source active
2	RO	0x0	reserved
1	RW	0x0	cpu_int_wakeup_ena Enable interrupt as CPU wake up source. 1'b0: Disable 1'b1: Enable

Bit	Attr	Reset Value	Description
0	RW	0x0	cpu_auto_pwr_dn_ena Enable CPU power down automatically. 1'b0: Disable 1'b1: Enable

**PMU CPU1 AUTO PWR CON**

Address: Operational Base + offset (0x8014)

Bit	Attr	Reset Value	Description
31:16	WO	0x0000	write_enable Write enable for lower 16 bits, each bit is individual. 1'b0: Write access disable 1'b1: Write access enable
15:12	RO	0x0	reserved
11	RW	0x0	cpu_dbgrcv_ncpuporeset_ena Enable CPU enters cold reset by assert ncpureset when CPU in debug recovery mode by hardware. 1'b0: Disable 1'b1: Enable
10	RW	0x0	cpu_dbgrcv_ncorerreset_ena Enable CPU enters warm reset by assert ncorereset when CPU in debug recovery mode by hardware. 1'b0: Disable 1'b1: Enable
9	RW	0x0	cpu_only_memoff_ena Enable only power down CPU memory. i.e., just power down memory, but not other digital logic when CPU in OFF mode. 1'b0: Disable 1'b1: Enable
8	RW	0x0	cpu_auto_emu_ena Enable CPU emulated off mode by hardware. 1'b0: Disable 1'b1: Enable
7	RW	0x0	cpu_mem_ls_ena Enable CPU memory light sleep mode by hardware. 1'b0: Disable 1'b1: Enable
6	R/W SC	0x0	cpu_dbgrcv_ena Enable CPU debug recovery mode by hardware. It is auto cleared when FSM enters debug recovery state. 1'b0: Disable 1'b1: Enable
5	RO	0x0	reserved
4	RW	0x0	cpu_auto_ret_ena Enable CPU retention mode by hardware. 1'b0: Disable 1'b1: Enable
3	RW	0x0	cpu_sft_wakeup_ena Enable CPU wake up by software. 1'b0: Wake up source inactive 1'b1: Wake up source active
2	RO	0x0	reserved
1	RW	0x0	cpu_int_wakeup_ena Enable interrupt as CPU wake up source. 1'b0: Disable 1'b1: Enable

Bit	Attr	Reset Value	Description
0	RW	0x0	cpu_auto_pwrdsn_ena Enable CPU power down automatically. 1'b0: Disable 1'b1: Enable

**PMU CPU2 AUTO PWR CON**

Address: Operational Base + offset (0x8018)

Bit	Attr	Reset Value	Description
31:16	WO	0x0000	write_enable Write enable for lower 16 bits, each bit is individual. 1'b0: Write access disable 1'b1: Write access enable
15:12	RO	0x0	reserved
11	RW	0x0	cpu_dbgrcv_ncpuporeset_ena Enable CPU enters cold reset by assert ncpureset when CPU in debug recovery mode by hardware. 1'b0: Disable 1'b1: Enable
10	RW	0x0	cpu_dbgrcv_ncorerreset_ena Enable CPU enters warm reset by assert ncorereset when CPU in debug recovery mode by hardware. 1'b0: Disable 1'b1: Enable
9	RW	0x0	cpu_only_memoff_ena Enable only power down CPU memory. i.e., just power down memory, but not other digital logic when CPU in OFF mode. 1'b0: Disable 1'b1: Enable
8	RW	0x0	cpu_auto_emu_ena Enable CPU emulated off mode by hardware. 1'b0: Disable 1'b1: Enable
7	RW	0x0	cpu_mem_ls_ena Enable CPU memory light sleep mode by hardware. 1'b0: Disable 1'b1: Enable
6	R/W SC	0x0	cpu_dbgrcv_ena Enable CPU debug recovery mode by hardware. It is auto cleared when FSM enters debug recovery state. 1'b0: Disable 1'b1: Enable
5	RO	0x0	reserved
4	RW	0x0	cpu_auto_ret_ena Enable CPU retention mode by hardware. 1'b0: Disable 1'b1: Enable
3	RW	0x0	cpu_sft_wakeup_ena Enable CPU wake up by software. 1'b0: Wake up source inactive 1'b1: Wake up source active
2	RO	0x0	reserved
1	RW	0x0	cpu_int_wakeup_ena Enable interrupt as CPU wake up source. 1'b0: Disable 1'b1: Enable

Bit	Attr	Reset Value	Description
0	RW	0x0	cpu_auto_pwrdsn_ena Enable CPU power down automatically. 1'b0: Disable 1'b1: Enable

**PMU CPU3 AUTO PWR CON**

Address: Operational Base + offset (0x801C)

Bit	Attr	Reset Value	Description
31:16	WO	0x0000	write_enable Write enable for lower 16 bits, each bit is individual. 1'b0: Write access disable 1'b1: Write access enable
15:12	RO	0x0	reserved
11	RW	0x0	cpu_dbgrcv_ncpuporeset_ena Enable CPU enters cold reset by assert ncpureset when CPU in debug recovery mode by hardware. 1'b0: Disable 1'b1: Enable
10	RW	0x0	cpu_dbgrcv_ncorerreset_ena Enable CPU enters warm reset by assert ncorereset when CPU in debug recovery mode by hardware. 1'b0: Disable 1'b1: Enable
9	RW	0x0	cpu_only_memoff_ena Enable only power down CPU memory. i.e., just power down memory, but not other digital logic when CPU in OFF mode. 1'b0: Disable 1'b1: Enable
8	RW	0x0	cpu_auto_emu_ena Enable CPU emulated off mode by hardware. 1'b0: Disable 1'b1: Enable
7	RW	0x0	cpu_mem_ls_ena Enable CPU memory light sleep mode by hardware. 1'b0: Disable 1'b1: Enable
6	R/W SC	0x0	cpu_dbgrcv_ena Enable CPU debug recovery mode by hardware. It is auto cleared when FSM enters debug recovery state. 1'b0: Disable 1'b1: Enable
5	RO	0x0	reserved
4	RW	0x0	cpu_auto_ret_ena Enable CPU retention mode by hardware. 1'b0: Disable 1'b1: Enable
3	RW	0x0	cpu_sft_wakeup_ena Enable CPU wake up by software. 1'b0: Wake up source inactive 1'b1: Wake up source active
2	RO	0x0	reserved
1	RW	0x0	cpu_int_wakeup_ena Enable interrupt as CPU wake up source. 1'b0: Disable 1'b1: Enable

Bit	Attr	Reset Value	Description
0	RW	0x0	cpu_auto_pwrdsn_ena Enable CPU power down automatically. 1'b0: Disable 1'b1: Enable

**PMU CPU4 AUTO PWR CON**

Address: Operational Base + offset (0x8020)

Bit	Attr	Reset Value	Description
31:16	WO	0x0000	write_enable Write enable for lower 16 bits, each bit is individual. 1'b0: Write access disable 1'b1: Write access enable
15:12	RO	0x0	reserved
11	RW	0x0	cpu_dbgrcv_ncpuporeset_ena Enable CPU enters cold reset by assert ncpureset when CPU in debug recovery mode by hardware. 1'b0: Disable 1'b1: Enable
10	RW	0x0	cpu_dbgrcv_ncorerreset_ena Enable CPU enters warm reset by assert ncorereset when CPU in debug recovery mode by hardware. 1'b0: Disable 1'b1: Enable
9	RW	0x0	cpu_only_memoff_ena Enable only power down CPU memory. i.e., just power down memory, but not other digital logic when CPU in OFF mode. 1'b0: Disable 1'b1: Enable
8	RW	0x0	cpu_auto_emu_ena Enable CPU emulated off mode by hardware. 1'b0: Disable 1'b1: Enable
7	RW	0x0	cpu_mem_ls_ena Enable CPU memory light sleep mode by hardware. 1'b0: Disable 1'b1: Enable
6	R/W SC	0x0	cpu_dbgrcv_ena Enable CPU debug recovery mode by hardware. It is auto cleared when FSM enters debug recovery state. 1'b0: Disable 1'b1: Enable
5	RO	0x0	reserved
4	RW	0x0	cpu_auto_ret_ena Enable CPU retention mode by hardware. 1'b0: Disable 1'b1: Enable
3	RW	0x0	cpu_sft_wakeup_ena Enable CPU wake up by software. 1'b0: Wake up source inactive 1'b1: Wake up source active
2	RO	0x0	reserved
1	RW	0x0	cpu_int_wakeup_ena Enable interrupt as CPU wake up source. 1'b0: Disable 1'b1: Enable



Bit	Attr	Reset Value	Description
0	RW	0x0	cpu_auto_pwrdsn_ena Enable CPU power down automatically. 1'b0: Disable 1'b1: Enable

**PMU CPU5 AUTO PWR CON**

Address: Operational Base + offset (0x8024)

Bit	Attr	Reset Value	Description
31:16	WO	0x0000	write_enable Write enable for lower 16 bits, each bit is individual. 1'b0: Write access disable 1'b1: Write access enable
15:12	RO	0x0	reserved
11	RW	0x0	cpu_dbgrcv_ncpuporeset_ena Enable CPU enters cold reset by assert ncpureset when CPU in debug recovery mode by hardware. 1'b0: Disable 1'b1: Enable
10	RW	0x0	cpu_dbgrcv_ncorerreset_ena Enable CPU enters warm reset by assert ncorereset when CPU in debug recovery mode by hardware. 1'b0: Disable 1'b1: Enable
9	RW	0x0	cpu_only_memoff_ena Enable only power down CPU memory. i.e., just power down memory, but not other digital logic when CPU in OFF mode. 1'b0: Disable 1'b1: Enable
8	RW	0x0	cpu_auto_emu_ena Enable CPU emulated off mode by hardware. 1'b0: Disable 1'b1: Enable
7	RW	0x0	cpu_mem_ls_ena Enable CPU memory light sleep mode by hardware. 1'b0: Disable 1'b1: Enable
6	R/W SC	0x0	cpu_dbgrcv_ena Enable CPU debug recovery mode by hardware. It is auto cleared when FSM enters debug recovery state. 1'b0: Disable 1'b1: Enable
5	RO	0x0	reserved
4	RW	0x0	cpu_auto_ret_ena Enable CPU retention mode by hardware. 1'b0: Disable 1'b1: Enable
3	RW	0x0	cpu_sft_wakeup_ena Enable CPU wake up by software. 1'b0: Wake up source inactive 1'b1: Wake up source active
2	RO	0x0	reserved
1	RW	0x0	cpu_int_wakeup_ena Enable interrupt as CPU wake up source. 1'b0: Disable 1'b1: Enable

Bit	Attr	Reset Value	Description
0	RW	0x0	cpu_auto_pwrndn_ena Enable CPU power down automatically. 1'b0: Disable 1'b1: Enable

**PMU CPU6 AUTO PWR CON**

Address: Operational Base + offset (0x8028)

Bit	Attr	Reset Value	Description
31:16	WO	0x0000	write_enable Write enable for lower 16 bits, each bit is individual. 1'b0: Write access disable 1'b1: Write access enable
15:12	RO	0x0	reserved
11	RW	0x0	cpu_dbgrcv_ncpuporeset_ena Enable CPU enters cold reset by assert ncpureset when CPU in debug recovery mode by hardware. 1'b0: Disable 1'b1: Enable
10	RW	0x0	cpu_dbgrcv_ncorerreset_ena Enable CPU enters warm reset by assert ncorereset when CPU in debug recovery mode by hardware. 1'b0: Disable 1'b1: Enable
9	RW	0x0	cpu_only_memoff_ena Enable only power down CPU memory. i.e., just power down memory, but not other digital logic when CPU in OFF mode. 1'b0: Disable 1'b1: Enable
8	RW	0x0	cpu_auto_emu_ena Enable CPU emulated off mode by hardware. 1'b0: Disable 1'b1: Enable
7	RW	0x0	cpu_mem_ls_ena Enable CPU memory light sleep mode by hardware. 1'b0: Disable 1'b1: Enable
6	R/W SC	0x0	cpu_dbgrcv_ena Enable CPU debug recovery mode by hardware. It is auto cleared when FSM enters debug recovery state. 1'b0: Disable 1'b1: Enable
5	RO	0x0	reserved
4	RW	0x0	cpu_auto_ret_ena Enable CPU retention mode by hardware. 1'b0: Disable 1'b1: Enable
3	RW	0x0	cpu_sft_wakeup_ena Enable CPU wake up by software. 1'b0: Wake up source inactive 1'b1: Wake up source active
2	RO	0x0	reserved
1	RW	0x0	cpu_int_wakeup_ena Enable interrupt as CPU wake up source. 1'b0: Disable 1'b1: Enable

Bit	Attr	Reset Value	Description
0	RW	0x0	cpu_auto_pwrdsn_ena Enable CPU power down automatically. 1'b0: Disable 1'b1: Enable

**PMU CPU7 AUTO PWR CON**

Address: Operational Base + offset (0x802C)

Bit	Attr	Reset Value	Description
31:16	WO	0x0000	write_enable Write enable for lower 16 bits, each bit is individual. 1'b0: Write access disable 1'b1: Write access enable
15:12	RO	0x0	reserved
11	RW	0x0	cpu_dbgrcv_ncpuporeset_ena Enable CPU enters cold reset by assert ncpureset when CPU in debug recovery mode by hardware. 1'b0: Disable 1'b1: Enable
10	RW	0x0	cpu_dbgrcv_ncorerreset_ena Enable CPU enters warm reset by assert ncorereset when CPU in debug recovery mode by hardware. 1'b0: Disable 1'b1: Enable
9	RW	0x0	cpu_only_memoff_ena Enable only power down CPU memory. i.e., just power down memory, but not other digital logic when CPU in OFF mode. 1'b0: Disable 1'b1: Enable
8	RW	0x0	cpu_auto_emu_ena Enable CPU emulated off mode by hardware. 1'b0: Disable 1'b1: Enable
7	RW	0x0	cpu_mem_ls_ena Enable CPU memory light sleep mode by hardware. 1'b0: Disable 1'b1: Enable
6	R/W SC	0x0	cpu_dbgrcv_ena Enable CPU debug recovery mode by hardware. It is auto cleared when FSM enters debug recovery state. 1'b0: Disable 1'b1: Enable
5	RO	0x0	reserved
4	RW	0x0	cpu_auto_ret_ena Enable CPU retention mode by hardware. 1'b0: Disable 1'b1: Enable
3	RW	0x0	cpu_sft_wakeup_ena Enable CPU wake up by software. 1'b0: Wake up source inactive 1'b1: Wake up source active
2	RO	0x0	reserved
1	RW	0x0	cpu_int_wakeup_ena Enable interrupt as CPU wake up source. 1'b0: Disable 1'b1: Enable

Bit	Attr	Reset Value	Description
0	RW	0x0	cpu_auto_pwrndn_ena Enable CPU power down automatically. 1'b0: Disable 1'b1: Enable

**PMU CPU0 PWR SFTCON**

Address: Operational Base + offset (0x8030)

Bit	Attr	Reset Value	Description
31:16	WO	0x0000	write_enable Write enable for lower 16 bits, each bit is individual. 1'b0: Write access disable 1'b1: Write access enable
15:9	RO	0x00	reserved
8	RW	0x0	cpu_mem_ls_sftena Enable CPU memory light sleep mode by software. 1'b0: Disable 1'b1: Enable
7	RW	0x1	cpu_dbgrcv_ncpuporeset_sftena Enable CPU enters cold reset by assert ncpureset when CPU in debug recovery mode by software. 1'b0: Enable 1'b1: Disable
6	RW	0x1	cpu_dbgrcv_ncorerereset_sftena Enable CPU enters warm reset by assert ncorereset when CPU in debug recovery mode by software. 1'b0: Enable 1'b1: Disable
5	RW	0x0	cpu_sft_pactive_dbgrcv PACTIVE bit generated by software when requested mode is debug recovery mode. High active. It is auto cleared when PREQ is active. It is used when CPU power mode transition is controlled by software.
4	RW	0x0	cpu_sft_pactive_emuoff PACTIVE bit generated by software when requested mode is emulated off mode. High active. It is auto cleared when PREQ is active. It is used when CPU power mode transition is controlled by software.
3	RW	0x0	cpu_sft_pactive_ret PACTIVE bit generated by software when requested mode is retention mode. High active. It is auto cleared when PREQ is active. It is used when CPU power mode transition is controlled by software.
2	RW	0x0	cpu_sft_pactive_on PACTIVE bit generated by software when requested mode is ON mode. High active. It is auto cleared when PREQ is active. It is used when CPU power mode transition is controlled by software.

Bit	Attr	Reset Value	Description
1	RW	0x0	cpu_sft_pactive_off PACTIVE bit generated by software when requested mode is OFF mode. High active. It is auto cleared when PREQ is active. It is used when CPU power mode transition is controlled by software.
0	RW	0x0	cpu_pwrtn_sftena Enable CPU power down by software. 1'b0: Disable 1'b1: Enable

**PMU CPU1 PWR SFTCON**

Address: Operational Base + offset (0x8034)

Bit	Attr	Reset Value	Description
31:16	WO	0x0000	write_enable Write enable for lower 16 bits, each bit is individual. 1'b0: Write access disable 1'b1: Write access enable
15:9	RO	0x00	reserved
8	RW	0x0	cpu_mem_ls_sftena Enable CPU memory light sleep mode by software. 1'b0: Disable 1'b1: Enable
7	RW	0x1	cpu_dbgrcv_ncpuporeset_sftena Enable CPU enters cold reset by assert ncpureset when CPU in debug recovery mode by software. 1'b0: Enable 1'b1: Disable
6	RW	0x1	cpu_dbgrcv_ncorerereset_sftena Enable CPU enters warm reset by assert ncorereset when CPU in debug recovery mode by software. 1'b0: Enable 1'b1: Disable
5	RW	0x0	cpu_sft_pactive_dbgrcv PACTIVE bit generated by software when requested mode is debug recovery mode. High active. It is auto cleared when PREQ is active. It is used when CPU power mode transition is controlled by software.
4	RW	0x0	cpu_sft_pactive_emuoff PACTIVE bit generated by software when requested mode is emulated off mode. High active. It is auto cleared when PREQ is active. It is used when CPU power mode transition is controlled by software.
3	RW	0x0	cpu_sft_pactive_ret PACTIVE bit generated by software when requested mode is retention mode. High active. It is auto cleared when PREQ is active. It is used when CPU power mode transition is controlled by software.

Bit	Attr	Reset Value	Description
2	RW	0x0	cpu_sft_pactive_on PACTIVE bit generated by software when requested mode is ON mode. High active. It is auto cleared when PREQ is active. It is used when CPU power mode transition is controlled by software.
1	RW	0x0	cpu_sft_pactive_off PACTIVE bit generated by software when requested mode is OFF mode. High active. It is auto cleared when PREQ is active. It is used when CPU power mode transition is controlled by software.
0	RW	0x0	cpu_pwrndn_sftena Enable CPU power down by software. 1'b0: Disable 1'b1: Enable

**PMU CPU2 PWR SFTCON**

Address: Operational Base + offset (0x8038)

Bit	Attr	Reset Value	Description
31:16	WO	0x0000	write_enable Write enable for lower 16 bits, each bit is individual. 1'b0: Write access disable 1'b1: Write access enable
15:9	RO	0x00	reserved
8	RW	0x0	cpu_mem_ls_sftena Enable CPU memory light sleep mode by software. 1'b0: Disable 1'b1: Enable
7	RW	0x1	cpu_dbgrcv_ncpuporeset_sftena Enable CPU enters cold reset by assert ncpureset when CPU in debug recovery mode by software. 1'b0: Enable 1'b1: Disable
6	RW	0x1	cpu_dbgrcv_ncorerreset_sftena Enable CPU enters warm reset by assert ncorereset when CPU in debug recovery mode by software. 1'b0: Enable 1'b1: Disable
5	RW	0x0	cpu_sft_pactive_dbgrcv PACTIVE bit generated by software when requested mode is debug recovery mode. High active. It is auto cleared when PREQ is active. It is used when CPU power mode transition is controlled by software.
4	RW	0x0	cpu_sft_pactive_emuoff PACTIVE bit generated by software when requested mode is emulated off mode. High active. It is auto cleared when PREQ is active. It is used when CPU power mode transition is controlled by software.

Bit	Attr	Reset Value	Description
3	RW	0x0	cpu_sft_pactive_ret PACTIVE bit generated by software when requested mode is retention mode. High active. It is auto cleared when PREQ is active. It is used when CPU power mode transition is controlled by software.
2	RW	0x0	cpu_sft_pactive_on PACTIVE bit generated by software when requested mode is ON mode. High active. It is auto cleared when PREQ is active. It is used when CPU power mode transition is controlled by software.
1	RW	0x0	cpu_sft_pactive_off PACTIVE bit generated by software when requested mode is OFF mode. High active. It is auto cleared when PREQ is active. It is used when CPU power mode transition is controlled by software.
0	RW	0x0	cpu_pwrndn_sftena Enable CPU power down by software. 1'b0: Disable 1'b1: Enable

**PMU CPU3 PWR SFTCON**

Address: Operational Base + offset (0x803C)

Bit	Attr	Reset Value	Description
31:16	WO	0x0000	write_enable Write enable for lower 16 bits, each bit is individual. 1'b0: Write access disable 1'b1: Write access enable
15:9	RO	0x00	reserved
8	RW	0x0	cpu_mem_ls_sftena Enable CPU memory light sleep mode by software. 1'b0: Disable 1'b1: Enable
7	RW	0x1	cpu_dbgrcv_ncpuporeset_sftena Enable CPU enters cold reset by assert ncpureset when CPU in debug recovery mode by software. 1'b0: Enable 1'b1: Disable
6	RW	0x1	cpu_dbgrcv_ncorerreset_sftena Enable CPU enters warm reset by assert ncorereset when CPU in debug recovery mode by software. 1'b0: Enable 1'b1: Disable
5	RW	0x0	cpu_sft_pactive_dbgrcv PACTIVE bit generated by software when requested mode is debug recovery mode. High active. It is auto cleared when PREQ is active. It is used when CPU power mode transition is controlled by software.

Bit	Attr	Reset Value	Description
4	RW	0x0	cpu_sft_pactive_emuoff PACTIVE bit generated by software when requested mode is emulated off mode. High active. It is auto cleared when PREQ is active. It is used when CPU power mode transition is controlled by software.
3	RW	0x0	cpu_sft_pactive_ret PACTIVE bit generated by software when requested mode is retention mode. High active. It is auto cleared when PREQ is active. It is used when CPU power mode transition is controlled by software.
2	RW	0x0	cpu_sft_pactive_on PACTIVE bit generated by software when requested mode is ON mode. High active. It is auto cleared when PREQ is active. It is used when CPU power mode transition is controlled by software.
1	RW	0x0	cpu_sft_pactive_off PACTIVE bit generated by software when requested mode is OFF mode. High active. It is auto cleared when PREQ is active. It is used when CPU power mode transition is controlled by software.
0	RW	0x0	cpu_pwrn_sftena Enable CPU power down by software. 1'b0: Disable 1'b1: Enable

**PMU CPU4 PWR SFTCON**

Address: Operational Base + offset (0x8040)

Bit	Attr	Reset Value	Description
31:16	WO	0x0000	write_enable Write enable for lower 16 bits, each bit is individual. 1'b0: Write access disable 1'b1: Write access enable
15:9	RO	0x00	reserved
8	RW	0x0	cpu_mem_ls_sftena Enable CPU memory light sleep mode by software. 1'b0: Disable 1'b1: Enable
7	RW	0x1	cpu_dbgrcv_ncpuporeset_sftena Enable CPU enters cold reset by assert ncpureset when CPU in debug recovery mode by software. 1'b0: Enable 1'b1: Disable
6	RW	0x1	cpu_dbgrcv_ncorerreset_sftena Enable CPU enters warm reset by assert ncorereset when CPU in debug recovery mode by software. 1'b0: Enable 1'b1: Disable



Bit	Attr	Reset Value	Description
5	RW	0x0	cpu_sft_pactive_dbgrcv PACTIVE bit generated by software when requested mode is debug recovery mode. High active. It is auto cleared when PREQ is active. It is used when CPU power mode transition is controlled by software.
4	RW	0x0	cpu_sft_pactive_emuoff PACTIVE bit generated by software when requested mode is emulated off mode. High active. It is auto cleared when PREQ is active. It is used when CPU power mode transition is controlled by software.
3	RW	0x0	cpu_sft_pactive_ret PACTIVE bit generated by software when requested mode is retention mode. High active. It is auto cleared when PREQ is active. It is used when CPU power mode transition is controlled by software.
2	RW	0x0	cpu_sft_pactive_on PACTIVE bit generated by software when requested mode is ON mode. High active. It is auto cleared when PREQ is active. It is used when CPU power mode transition is controlled by software.
1	RW	0x0	cpu_sft_pactive_off PACTIVE bit generated by software when requested mode is OFF mode. High active. It is auto cleared when PREQ is active. It is used when CPU power mode transition is controlled by software.
0	RW	0x0	cpu_pwrndn_sftena Enable CPU power down by software. 1'b0: Disable 1'b1: Enable

**PMU CPU5 PWR SFTCON**

Address: Operational Base + offset (0x8044)

Bit	Attr	Reset Value	Description
31:16	WO	0x0000	write_enable Write enable for lower 16 bits, each bit is individual. 1'b0: Write access disable 1'b1: Write access enable
15:9	RO	0x00	reserved
8	RW	0x0	cpu_mem_ls_sftena Enable CPU memory light sleep mode by software. 1'b0: Disable 1'b1: Enable
7	RW	0x1	cpu_dbgrcv_ncpuporeset_sftena Enable CPU enters cold reset by assert ncpureset when CPU in debug recovery mode by software. 1'b0: Enable 1'b1: Disable

Bit	Attr	Reset Value	Description
6	RW	0x1	cpu_dbgrcv_ncorerereset_sftena Enable CPU enters warm reset by assert ncorereset when CPU in debug recovery mode by software. 1'b0: Enable 1'b1: Disable
5	RW	0x0	cpu_sft_pactive_dbgrcv PACTIVE bit generated by software when requested mode is debug recovery mode. High active. It is auto cleared when PREQ is active. It is used when CPU power mode transition is controlled by software.
4	RW	0x0	cpu_sft_pactive_emuoff PACTIVE bit generated by software when requested mode is emulated off mode. High active. It is auto cleared when PREQ is active. It is used when CPU power mode transition is controlled by software.
3	RW	0x0	cpu_sft_pactive_ret PACTIVE bit generated by software when requested mode is retention mode. High active. It is auto cleared when PREQ is active. It is used when CPU power mode transition is controlled by software.
2	RW	0x0	cpu_sft_pactive_on PACTIVE bit generated by software when requested mode is ON mode. High active. It is auto cleared when PREQ is active. It is used when CPU power mode transition is controlled by software.
1	RW	0x0	cpu_sft_pactive_off PACTIVE bit generated by software when requested mode is OFF mode. High active. It is auto cleared when PREQ is active. It is used when CPU power mode transition is controlled by software.
0	RW	0x0	cpu_pwrdsn_sftena Enable CPU power down by software. 1'b0: Disable 1'b1: Enable

**PMU CPU6 PWR SFTCON**

Address: Operational Base + offset (0x8048)

Bit	Attr	Reset Value	Description
31:16	WO	0x0000	write_enable Write enable for lower 16 bits, each bit is individual. 1'b0: Write access disable 1'b1: Write access enable
15:9	RO	0x00	reserved
8	RW	0x0	cpu_mem_ls_sftena Enable CPU memory light sleep mode by software. 1'b0: Disable 1'b1: Enable

Bit	Attr	Reset Value	Description
7	RW	0x1	cpu_dbgrcv_ncpuporeset_sftena Enable CPU enters cold reset by assert ncpureset when CPU in debug recovery mode by software. 1'b0: Enable 1'b1: Disable
6	RW	0x1	cpu_dbgrcv_ncorerereset_sftena Enable CPU enters warm reset by assert ncorereset when CPU in debug recovery mode by software. 1'b0: Enable 1'b1: Disable
5	RW	0x0	cpu_sft_pactive_dbgrcv PACTIVE bit generated by software when requested mode is debug recovery mode. High active. It is auto cleared when PREQ is active. It is used when CPU power mode transition is controlled by software.
4	RW	0x0	cpu_sft_pactive_emuoff PACTIVE bit generated by software when requested mode is emulated off mode. High active. It is auto cleared when PREQ is active. It is used when CPU power mode transition is controlled by software.
3	RW	0x0	cpu_sft_pactive_ret PACTIVE bit generated by software when requested mode is retention mode. High active. It is auto cleared when PREQ is active. It is used when CPU power mode transition is controlled by software.
2	RW	0x0	cpu_sft_pactive_on PACTIVE bit generated by software when requested mode is ON mode. High active. It is auto cleared when PREQ is active. It is used when CPU power mode transition is controlled by software.
1	RW	0x0	cpu_sft_pactive_off PACTIVE bit generated by software when requested mode is OFF mode. High active. It is auto cleared when PREQ is active. It is used when CPU power mode transition is controlled by software.
0	RW	0x0	cpu_pwrtn_sftena Enable CPU power down by software. 1'b0: Disable 1'b1: Enable

**PMU CPU7 PWR SFTCON**

Address: Operational Base + offset (0x804C)

Bit	Attr	Reset Value	Description
31:16	WO	0x0000	write_enable Write enable for lower 16 bits, each bit is individual. 1'b0: Write access disable 1'b1: Write access enable
15:9	RO	0x00	reserved

Bit	Attr	Reset Value	Description
8	RW	0x0	cpu_mem_ls_sftena Enable CPU memory light sleep mode by software. 1'b0: Disable 1'b1: Enable
7	RW	0x1	cpu_dbgrcv_ncpuporeset_sftena Enable CPU enters cold reset by assert ncpureset when CPU in debug recovery mode by software. 1'b0: Enable 1'b1: Disable
6	RW	0x1	cpu_dbgrcv_ncorerereset_sftena Enable CPU enters warm reset by assert ncorereset when CPU in debug recovery mode by software. 1'b0: Enable 1'b1: Disable
5	RW	0x0	cpu_sft_pactive_dbgrcv PACTIVE bit generated by software when requested mode is debug recovery mode. High active. It is auto cleared when PREQ is active. It is used when CPU power mode transition is controlled by software.
4	RW	0x0	cpu_sft_pactive_emuoff PACTIVE bit generated by software when requested mode is emulated off mode. High active. It is auto cleared when PREQ is active. It is used when CPU power mode transition is controlled by software.
3	RW	0x0	cpu_sft_pactive_ret PACTIVE bit generated by software when requested mode is retention mode. High active. It is auto cleared when PREQ is active. It is used when CPU power mode transition is controlled by software.
2	RW	0x0	cpu_sft_pactive_on PACTIVE bit generated by software when requested mode is ON mode. High active. It is auto cleared when PREQ is active. It is used when CPU power mode transition is controlled by software.
1	RW	0x0	cpu_sft_pactive_off PACTIVE bit generated by software when requested mode is OFF mode. High active. It is auto cleared when PREQ is active. It is used when CPU power mode transition is controlled by software.
0	RW	0x0	cpu_pwrndn_sftena Enable CPU power down by software. 1'b0: Disable 1'b1: Enable

**PMU CORE0 PWR CON**

Address: Operational Base + offset (0x8050)

Bit	Attr	Reset Value	Description
31:16	WO	0x0000	write_enable Write enable for lower 16 bits, each bit is individual. 1'b0: Write access disable 1'b1: Write access enable
15:4	RO	0x000	reserved
3	RW	0x1	core_pwr_cnt_ena Enable counter to wait for VD_BIGCORE0 power on or power off stability. 1'b0: Disable 1'b1: Enable
2	RW	0x0	core_cpu_pwrdsn_ena Enable CPU power down when VD_BIGCORE0 power down by hardware. 1'b0: Disable 1'b1: Enable
1	RW	0x0	core_pwroff_ena Enable VD_BIGCORE0 power off by hardware. 1'b0: Disable 1'b1: Enable
0	RW	0x0	core_pwrdsn_ena Enable VD_BIGCORE0 power down by hardware. 1'b0: Disable 1'b1: Enable

**PMU CORE1 PWR CON**

Address: Operational Base + offset (0x8054)

Bit	Attr	Reset Value	Description
31:16	WO	0x0000	write_enable Write enable for lower 16 bits, each bit is individual. 1'b0: Write access disable 1'b1: Write access enable
15:4	RO	0x000	reserved
3	RW	0x1	core_pwr_cnt_ena Enable counter to wait for VD_BIGCORE1 power on or power off stability. 1'b0: Disable 1'b1: Enable
2	RW	0x0	core_cpu_pwrdsn_ena Enable CPU power down when VD_BIGCORE1 power down by hardware. 1'b0: Disable 1'b1: Enable
1	RW	0x0	core_pwroff_ena Enable VD_BIGCORE1 power off by hardware. 1'b0: Disable 1'b1: Enable
0	RW	0x0	core_pwrdsn_ena Enable VD_BIGCORE1 power down by hardware. 1'b0: Disable 1'b1: Enable

**PMU CORE0 PWR SFTCON**

Address: Operational Base + offset (0x8058)

Bit	Attr	Reset Value	Description
31:16	WO	0x0000	write_enable Write enable for lower 16 bits, each bit is individual. 1'b0: Write access disable 1'b1: Write access enable
15:4	RO	0x000	reserved
3	RW	0x0	core_dwn_ack_clamp_ena Enable clamp for VD_BIGCORE0 power down acknowledge. This bit should be set to 1 if VD_BIGCORE0 power off. 1'b0: Disable 1'b1: Enable
2	RW	0x0	core_cpu_pwrdsn_sftena Enable CPU power down when VD_BIGCORE0 power down by software. 1'b0: Disable 1'b1: Enable
1	RW	0x0	core_pwroff_sftena Enable VD_BIGCORE0 power off by software. 1'b0: Disable 1'b1: Enable
0	RW	0x0	core_pwrdsn_sftena Enable VD_BIGCORE0 power down by software. 1'b0: Disable 1'b1: Enable

**PMU CORE1 PWR SFTCON**

Address: Operational Base + offset (0x805C)

Bit	Attr	Reset Value	Description
31:16	WO	0x0000	write_enable Write enable for lower 16 bits, each bit is individual. 1'b0: Write access disable 1'b1: Write access enable
15:4	RO	0x000	reserved
3	RW	0x0	core_dwn_ack_clamp_ena Enable clamp for VD_BIGCORE1 power down acknowledge. This bit should be set to 1 if VD_BIGCORE1 power off. 1'b0: Disable 1'b1: Enable
2	RW	0x0	core_cpu_pwrdsn_sftena Enable CPU power down when VD_BIGCORE1 power down by software. 1'b0: Disable 1'b1: Enable
1	RW	0x0	core_pwroff_sftena Enable VD_BIGCORE1 power off by software. 1'b0: Disable 1'b1: Enable
0	RW	0x0	core_pwrdsn_sftena Enable VD_BIGCORE1 power down by software. 1'b0: Disable 1'b1: Enable

**PMU CORE0 AUTO PWR CON**

Address: Operational Base + offset (0x8060)

Bit	Attr	Reset Value	Description
31:16	WO	0x0000	write_enable Write enable for lower 16 bits, each bit is individual. 1'b0: Write access disable 1'b1: Write access enable
15:4	RO	0x000	reserved
3	RW	0x0	core_int_wakeup_sftena Enable VD_BIGCORE0 wake up by software. 1'b0: Wake up source inactive 1'b1: Wake up source active
2	RO	0x0	reserved
1	RW	0x0	core_int_wakeup_ena Enable interrupt as VD_BIGCORE0 wake up source. 1'b0: Disable 1'b1: Enable
0	RW	0x0	core_lp_en Enable VD_BIGCORE0 low power mode. 1'b0: Disable 1'b1: Enable

**PMU CORE1 AUTO PWR CON**

Address: Operational Base + offset (0x8064)

Bit	Attr	Reset Value	Description
31:16	WO	0x0000	write_enable Write enable for lower 16 bits, each bit is individual. 1'b0: Write access disable 1'b1: Write access enable
15:4	RO	0x000	reserved
3	RW	0x0	core_int_wakeup_sftena Enable VD_BIGCORE1 wake up by software. 1'b0: Wake up source inactive 1'b1: Wake up source active
2	RO	0x0	reserved
1	RW	0x0	core_int_wakeup_ena Enable interrupt as VD_BIGCORE1 wake up source. 1'b0: Disable 1'b1: Enable
0	RW	0x0	core_lp_en Enable VD_BIGCORE1 low power mode. 1'b0: Disable 1'b1: Enable

**PMU CLUSTER BIU AUTO CON**

Address: Operational Base + offset (0x8068)

Bit	Attr	Reset Value	Description
31:16	WO	0x0000	write_enable Write enable for lower 16 bits, each bit is individual. 1'b0: Write access disable 1'b1: Write access enable
15:4	RO	0x000	reserved
3	RW	0x0	biu_auto_litdsu_ena If enable, BIU_LITDSU corresponding clock can be opened or gated automatically when idle operation. 1'b0: Disable 1'b1: Enable

Bit	Attr	Reset Value	Description
2	RW	0x0	biu_auto_dsu_ena If enable, BIU_DSU corresponding clock can be opened or gated automatically when idle operation. 1'b0: Disable 1'b1: Enable
1	RW	0x0	biu_auto_bigcore1_ena If enable, BIU_BIGCORE1 corresponding clock can be opened or gated automatically when idle operation. 1'b0: Disable 1'b1: Enable
0	RW	0x0	biu_auto_bigcore0_ena If enable, BIU_BIGCORE0 corresponding clock can be opened or gated automatically when idle operation. 1'b0: Disable 1'b1: Enable

**PMU CLUSTER BIU IDLE CON**

Address: Operational Base + offset (0x8070)

Bit	Attr	Reset Value	Description
31:16	WO	0x0000	write_enable Write enable for lower 16 bits, each bit is individual. 1'b0: Write access disable 1'b1: Write access enable
15:7	RO	0x000	reserved
6	RW	0x0	adb400_core_qch_ena Enable core ADB400 Q-Channel power control by hardware. 1'b0: Disable 1'b1: Enable
5	RW	0x0	idle_req_litdsu_ena Enable sending idle request to BIU_LITDSU by hardware. 1'b0: Disable 1'b1: Enable
4	RW	0x0	idle_req_dsu_ena Enable sending idle request to BIU_DSU by hardware. 1'b0: Disable 1'b1: Enable
3	RO	0x0	reserved
2	RW	0x0	idle_req_bigcore1_ena Enable sending idle request to BIU_BIGCORE1 by hardware. 1'b0: Disable 1'b1: Enable
1	RO	0x0	reserved
0	RW	0x0	idle_req_bigcore0_ena Enable sending idle request to BIU_BIGCORE0 by hardware. 1'b0: Disable 1'b1: Enable

**PMU CLUSTER BIU IDLE SFTCON**

Address: Operational Base + offset (0x8074)

Bit	Attr	Reset Value	Description
31:16	WO	0x0000	write_enable Write enable for lower 16 bits, each bit is individual. 1'b0: Write access disable 1'b1: Write access enable
15:7	RO	0x000	reserved



Bit	Attr	Reset Value	Description
6	RW	0x0	adb400_core_qch_sftena Enable core ADB400 Q-Channel power control by software. 1'b0: Disable 1'b1: Enable
5	RW	0x0	idle_req_litdsu_sftena Enable sending idle request to BIU_LITDSU by software. 1'b0: Disable 1'b1: Enable
4	RW	0x0	idle_req_dsu_sftena Enable sending idle request to BIU_DSU by software. 1'b0: Disable 1'b1: Enable
3	RO	0x0	reserved
2	RW	0x0	idle_req_bigcore1_sftena Enable sending idle request to BIU_BIGCORE1 by software. 1'b0: Disable 1'b1: Enable
1	RO	0x0	reserved
0	RW	0x0	idle_req_bigcore0_sftena Enable sending idle request to BIU_BIGCORE0 by software. 1'b0: Disable 1'b1: Enable

**PMU CLUSTER BIU IDLE ACK STS**

Address: Operational Base + offset (0x8078)

Bit	Attr	Reset Value	Description
31:5	RO	0x0000000	reserved
4	RO	0x0	adb400_core_paccept PACCEPT state from core ADB400. 1'b0: Inactive 1'b1: Active
3	RO	0x0	idle_ack_litdsu BIU_LITDSU idle acknowledge state. 1'b0: Not acknowledge 1'b1: Acknowledge
2	RO	0x0	idle_ack_dsu BIU_DSU idle acknowledge state. 1'b0: Not acknowledge 1'b1: Acknowledge
1	RO	0x0	idle_ack_bigcore1 BIU_BIGCORE1 idle acknowledge state. 1'b0: Not acknowledge 1'b1: Acknowledge
0	RO	0x0	idle_ack_bigcore0 BIU_BIGCORE0 idle acknowledge state. 1'b0: Not acknowledge 1'b1: Acknowledge

**PMU CLUSTER BIU IDLE STS**

Address: Operational Base + offset (0x807C)

Bit	Attr	Reset Value	Description
31:5	RO	0x0000000	reserved

Bit	Attr	Reset Value	Description
4	RO	0x0	adb400_core_pactive PACTIVE state from core ADB400. 1'b0: Inactive 1'b1: Active
3	RO	0x0	idle_litdsu BIU_LITDSU idle state. 1'b0: Not idle 1'b1: Idle
2	RO	0x0	idle_dsu BIU_DSU idle state. 1'b0: Not idle 1'b1: Idle
1	RO	0x0	idle_bigcore1 BIU_BIGCORE1 idle state. 1'b0: Not idle 1'b1: Idle
0	RO	0x0	idle_bigcore0 BIU_BIGCORE0 idle state. 1'b0: Not idle 1'b1: Idle

**PMU CLUSTER STS**

Address: Operational Base + offset (0x8080)

Bit	Attr	Reset Value	Description
31:28	RO	0x0	reserved
27	RO	0x0	cpu7_standbywfi CPU7 standbywfi state. 1'b0: Not standbywfi 1'b1: Standbywfi
26	RO	0x0	cpu6_standbywfi CPU6 standbywfi state. 1'b0: Not standbywfi 1'b1: Standbywfi
25	RO	0x0	cpu5_standbywfi CPU5 standbywfi state. 1'b0: Not standbywfi 1'b1: Standbywfi
24	RO	0x0	cpu4_standbywfi CPU4 standbywfi state. 1'b0: Not standbywfi 1'b1: Standbywfi
23	RO	0x0	cpu3_standbywfi CPU3 standbywfi state. 1'b0: Not standbywfi 1'b1: Standbywfi
22	RO	0x0	cpu2_standbywfi CPU2 standbywfi state. 1'b0: Not standbywfi 1'b1: Standbywfi
21	RO	0x0	cpu1_standbywfi CPU1 standbywfi state. 1'b0: Not standbywfi 1'b1: Standbywfi

Bit	Attr	Reset Value	Description
20	RO	0x0	cpu0_standbywfi CPU0 standbywfi state. 1'b0: Not standbywfi 1'b1: Standbywfi
19	RO	0x0	dsu_handshake DSU P-Channel hand shake state. If P-Channel request is accepted, it is set to 1; If P-Channel request is denied, it is set to 0. 1'b0: Not hand shake 1'b1: Hand shake
18	RO	0x0	cpu7_handshake CPU7 P-Channel hand shake state. If P-Channel request is accepted, it is set to 1; If P-Channel request is denied, it is set to 0. 1'b0: Not hand shake 1'b1: Hand shake
17	RO	0x0	cpu6_handshake CPU6 P-Channel hand shake state. If P-Channel request is accepted, it is set to 1; If P-Channel request is denied, it is set to 0. 1'b0: Not hand shake 1'b1: Hand shake
16	RO	0x0	cpu5_handshake CPU5 P-Channel hand shake state. If P-Channel request is accepted, it is set to 1; If P-Channel request is denied, it is set to 0. 1'b0: Not hand shake 1'b1: Hand shake
15	RO	0x0	cpu4_handshake CPU4 P-Channel hand shake state. If P-Channel request is accepted, it is set to 1; If P-Channel request is denied, it is set to 0. 1'b0: Not hand shake 1'b1: Hand shake
14	RO	0x0	cpu3_handshake CPU3 P-Channel hand shake state. If P-Channel request is accepted, it is set to 1; If P-Channel request is denied, it is set to 0. 1'b0: Not hand shake 1'b1: Hand shake
13	RO	0x0	cpu2_handshake CPU2 P-Channel hand shake state. If P-Channel request is accepted, it is set to 1; If P-Channel request is denied, it is set to 0. 1'b0: Not hand shake 1'b1: Hand shake
12	RO	0x0	cpu1_handshake CPU1 P-Channel hand shake state. If P-Channel request is accepted, it is set to 1; If P-Channel request is denied, it is set to 0. 1'b0: Not hand shake 1'b1: Hand shake

Bit	Attr	Reset Value	Description
11	RO	0x0	cpu0_handshake CPU0 P-Channel hand shake state. If P-Channel request is accepted, it is set to 1; If P-Channel request is denied, it is set to 0. 1'b0: Not hand shake 1'b1: Hand shake
10	RO	0x0	pd_dsu_dwn_stat VD_LITDSU power state. 1'b0: Power up 1'b1: Power down
9	RO	0x0	pd_core1_dwn_stat VD_BIGCORE1 power state. 1'b0: Power up 1'b1: Power down
8	RO	0x0	pd_core0_dwn_stat VD_BIGCORE0 power state. 1'b0: Power up 1'b1: Power down
7	RO	0x0	pd_cpu7_dwn_stat PD_CPU7 power state. 1'b0: Power up 1'b1: Power down
6	RO	0x0	pd_cpu6_dwn_stat PD_CPU6 power state. 1'b0: Power up 1'b1: Power down
5	RO	0x0	pd_cpu5_dwn_stat PD_CPU5 power state. 1'b0: Power up 1'b1: Power down
4	RO	0x0	pd_cpu4_dwn_stat PD_CPU4 power state. 1'b0: Power up 1'b1: Power down
3	RO	0x0	pd_cpu3_dwn_stat PD_CPU3 power state. 1'b0: Power up 1'b1: Power down
2	RO	0x0	pd_cpu2_dwn_stat PD_CPU2 power state. 1'b0: Power up 1'b1: Power down
1	RO	0x0	pd_cpu1_dwn_stat PD_CPU1 power state. 1'b0: Power up 1'b1: Power down
0	RO	0x0	pd_cpu0_dwn_stat PD_CPU0 power state. 1'b0: Power up 1'b1: Power down

**PMU CLUSTER POWER STS0**

Address: Operational Base + offset (0x8084)

Bit	Attr	Reset Value	Description
31	RO	0x0	reserved

Bit	Attr	Reset Value	Description
30:28	RO	0x0	cpu7_power_state CPU7 power state. 3'h0: Normal state 3'h1: Off state 3'h2: Emulated off state 3'h3: Retention state 3'h4: Debug recovery state Others: Reserved
27	RO	0x0	reserved
26:24	RO	0x0	cpu6_power_state CPU6 power state. 3'h0: Normal state 3'h1: Off state 3'h2: Emulated off state 3'h3: Retention state 3'h4: Debug recovery state Others: Reserved
23	RO	0x0	reserved
22:20	RO	0x0	cpu5_power_state CPU5 power state. 3'h0: Normal state 3'h1: Off state 3'h2: Emulated off state 3'h3: Retention state 3'h4: Debug recovery state Others: Reserved
19	RO	0x0	reserved
18:16	RO	0x0	cpu4_power_state CPU4 power state. 3'h0: Normal state 3'h1: Off state 3'h2: Emulated off state 3'h3: Retention state 3'h4: Debug recovery state Others: Reserved
15	RO	0x0	reserved
14:12	RO	0x0	cpu3_power_state CPU3 power state. 3'h0: Normal state 3'h1: Off state 3'h2: Emulated off state 3'h3: Retention state 3'h4: Debug recovery state Others: Reserved
11	RO	0x0	reserved
10:8	RO	0x0	cpu2_power_state CPU2 power state. 3'h0: Normal state 3'h1: Off state 3'h2: Emulated off state 3'h3: Retention state 3'h4: Debug recovery state Others: Reserved
7	RO	0x0	reserved

Bit	Attr	Reset Value	Description
6:4	RO	0x0	cpu1_power_state CPU1 power state. 3'h0: Normal state 3'h1: Off state 3'h2: Emulated off state 3'h3: Retention state 3'h4: Debug recovery state Others: Reserved
3	RO	0x0	reserved
2:0	RO	0x0	cpu0_power_state CPU0 power state. 3'h0: Normal state 3'h1: Off state 3'h2: Emulated off state 3'h3: Retention state 3'h4: Debug recovery state Others: Reserved

**PMU CLUSTER POWER STS1**

Address: Operational Base + offset (0x8088)

Bit	Attr	Reset Value	Description
31:12	RO	0x00000	reserved
11:8	RO	0x0	dsu_power_state DSU power state. 4'h0: Normal state 4'h1: DSU transfer idle state 4'h2: DSU power down state 4'h3: DSU sleep state 4'h4: DSU wake up state 4'h5: DSU power up state 4'h6: DSU transfer resume state 4'h7: DSU FUNC_RET state 4'h8: DSU 3/4 ON state 4'h9: DSU 1/2 ON state 4'ha: DSU 1/4 ON state 4'hb: DSU SFONLY ON state 4'hc: DSU 3/4 FUNC_RET state 4'hd: DSU 1/2 FUNC_RET state 4'he: DSU 1/4 FUNC_RET state 4'hf: DSU SFONLY FUNC_RET state
7:4	RO	0x0	core1_power_state BIGCORE1 power state. 4'h0: Normal state 4'h1: CPU power down state 4'h2: Core transfer idle state 4'h3: Core power down state 4'h4: Core sleep state 4'h5: Core wake up state 4'h6: Core power up state 4'h7: Core transfer resume state 4'h8: CPU power up state Others: Reserved

Bit	Attr	Reset Value	Description
3:0	RO	0x0	core0_power_state BIGCORE0 power state. 4'h0: Normal state 4'h1: CPU power down state 4'h2: Core transfer idle state 4'h3: Core power down state 4'h4: Core sleep state 4'h5: Core wake up state 4'h6: Core power up state 4'h7: Core transfer resume state 4'h8: CPU power up state Others: Reserved

**PMU CLUSTER PCHANNEL STS0**

Address: Operational Base + offset (0x808C)

Bit	Attr	Reset Value	Description
31:30	RO	0x0	reserved
29:24	RO	0x00	cpu3_pchannel_status CPU3 P-Channel status. High active. Bit[24]: PACTIVE bit [1] Bit[25]: PACTIVE bit [5] Bit[26]: PACTIVE bit [7] Bit[27]: PACTIVE bit [8] Bit[28]: PACCEPT Bit[29]: PDENY
23:22	RO	0x0	reserved
21:16	RO	0x00	cpu2_pchannel_status CPU2 P-Channel status. High active. Bit[16]: PACTIVE bit [1] Bit[17]: PACTIVE bit [5] Bit[18]: PACTIVE bit [7] Bit[19]: PACTIVE bit [8] Bit[20]: PACCEPT Bit[21]: PDENY
15:14	RO	0x0	reserved
13:8	RO	0x00	cpu1_pchannel_status CPU1 P-Channel status. High active. Bit[8]: PACTIVE bit [1] Bit[9]: PACTIVE bit [5] Bit[10]: PACTIVE bit [7] Bit[11]: PACTIVE bit [8] Bit[12]: PACCEPT Bit[13]: PDENY
7:6	RO	0x0	reserved
5:0	RO	0x00	cpu0_pchannel_status CPU0 P-Channel status. High active. Bit[0]: PACTIVE bit [1] Bit[1]: PACTIVE bit [5] Bit[2]: PACTIVE bit [7] Bit[3]: PACTIVE bit [8] Bit[4]: PACCEPT Bit[5]: PDENY

**PMU CLUSTER PCHANNEL STS1**

Address: Operational Base + offset (0x8090)

Bit	Attr	Reset Value	Description
31:30	RO	0x0	reserved
29:24	RO	0x00	cpu7_pchannel_status CPU7 P-Channel status. High active. Bit[24]: PACTIVE bit [1] Bit[25]: PACTIVE bit [5] Bit[26]: PACTIVE bit [7] Bit[27]: PACTIVE bit [8] Bit[28]: PACCEPT Bit[29]: PDENY
23:22	RO	0x0	reserved
21:16	RO	0x00	cpu6_pchannel_status CPU6 P-Channel status. High active. Bit[16]: PACTIVE bit [1] Bit[17]: PACTIVE bit [5] Bit[18]: PACTIVE bit [7] Bit[19]: PACTIVE bit [8] Bit[20]: PACCEPT Bit[21]: PDENY
15:14	RO	0x0	reserved
13:8	RO	0x00	cpu5_pchannel_status CPU5 P-Channel status. High active. Bit[8]: PACTIVE bit [1] Bit[9]: PACTIVE bit [5] Bit[10]: PACTIVE bit [7] Bit[11]: PACTIVE bit [8] Bit[12]: PACCEPT Bit[13]: PDENY
7:6	RO	0x0	reserved
5:0	RO	0x00	cpu4_pchannel_status CPU4 P-Channel status. High active. Bit[0]: PACTIVE bit [1] Bit[1]: PACTIVE bit [5] Bit[2]: PACTIVE bit [7] Bit[3]: PACTIVE bit [8] Bit[4]: PACCEPT Bit[5]: PDENY

**PMU CLUSTER PCHANNEL STS2**

Address: Operational Base + offset (0x8094)

Bit	Attr	Reset Value	Description
31:9	RO	0x000000	reserved
8:0	RO	0x000	dsu_pchannel_status DSU P-Channel status. High active. Bit[0]: CLUSTERPACTIVE bit [2] Bit[1]: CLUSTERPACTIVE bit [7] Bit[2]: CLUSTERPACTIVE bit [8] Bit[3]: CLUSTERPACTIVE bit [16] Bit[4]: CLUSTERPACTIVE bit [17] Bit[5]: CLUSTERPACTIVE bit [18] Bit[6]: CLUSTERPACTIVE bit [19] Bit[7]: CLUSTERPACCEPT Bit[8]: CLUSTERPDENY

**PMU CPU PWR CHAIN STABLE CON**

Address: Operational Base + offset (0x8098)



Bit	Attr	Reset Value	Description
31:16	WO	0x0000	write_enable Write enable for lower 16 bits, each bit is individual. 1'b0: Write access disable 1'b1: Write access enable
15	RW	0x0	cpu7_pwrdsn_stable_ena Enable stable counter between power chains for PD_CPU7 power down flow. 1'b0: Disable 1'b1: Enable
14	RW	0x0	cpu6_pwrdsn_stable_ena Enable stable counter between power chains for PD_CPU6 power down flow. 1'b0: Disable 1'b1: Enable
13	RW	0x0	cpu5_pwrdsn_stable_ena Enable stable counter between power chains for PD_CPU5 power down flow. 1'b0: Disable 1'b1: Enable
12	RW	0x0	cpu4_pwrdsn_stable_ena Enable stable counter between power chains for PD_CPU4 power down flow. 1'b0: Disable 1'b1: Enable
11	RW	0x0	cpu3_pwrdsn_stable_ena Enable stable counter between power chains for PD_CPU3 power down flow. 1'b0: Disable 1'b1: Enable
10	RW	0x0	cpu2_pwrdsn_stable_ena Enable stable counter between power chains for PD_CPU2 power down flow. 1'b0: Disable 1'b1: Enable
9	RW	0x0	cpu1_pwrdsn_stable_ena Enable stable counter between power chains for PD_CPU1 power down flow. 1'b0: Disable 1'b1: Enable
8	RW	0x0	cpu0_pwrdsn_stable_ena Enable stable counter between power chains for PD_CPU0 power down flow. 1'b0: Disable 1'b1: Enable
7	RW	0x1	cpu7_pwrup_stable_ena Enable stable counter between power chains for PD_CPU7 power up flow. 1'b0: Disable 1'b1: Enable
6	RW	0x1	cpu6_pwrup_stable_ena Enable stable counter between power chains for PD_CPU6 power up flow. 1'b0: Disable 1'b1: Enable

Bit	Attr	Reset Value	Description
5	RW	0x1	cpu5_pwrup_stable_ena Enable stable counter between power chains for PD_CPU5 power up flow. 1'b0: Disable 1'b1: Enable
4	RW	0x1	cpu4_pwrup_stable_ena Enable stable counter between power chains for PD_CPU4 power up flow. 1'b0: Disable 1'b1: Enable
3	RW	0x1	cpu3_pwrup_stable_ena Enable stable counter between power chains for PD_CPU3 power up flow. 1'b0: Disable 1'b1: Enable
2	RW	0x1	cpu2_pwrup_stable_ena Enable stable counter between power chains for PD_CPU2 power up flow. 1'b0: Disable 1'b1: Enable
1	RW	0x1	cpu1_pwrup_stable_ena Enable stable counter between power chains for PD_CPU1 power up flow. 1'b0: Disable 1'b1: Enable
0	RW	0x1	cpu0_pwrup_stable_ena Enable stable counter between power chains for PD_CPU0 power up flow. 1'b0: Disable 1'b1: Enable

**PMU\_DSU\_MEM\_PWR\_CON**

Address: Operational Base + offset (0x809C)

Bit	Attr	Reset Value	Description
31:16	WO	0x0000	write_enable Write enable for lower 16 bits, each bit is individual. 1'b0: Write access disable 1'b1: Write access enable
15:12	RW	0x0	dsu_mem_ls_sftena Enable DSU memory enters light sleep mode by software. 1'b0: Disable 1'b1: Enable Bit[12] used to light sleep "Snoop filter and LTDB RAMs". Bit[13] used to light sleep "L3 Tag ways 0~3, L3 Data portion 0, and L3 Victim RAMs". Bit[14] used to light sleep "L3 Tag ways 4~7". Bit[15] used to light sleep "L3 Tag ways 8~11, L3 Data portion 1 RAMs".

Bit	Attr	Reset Value	Description
11:8	RW	0x0	dsu_mem_sd_sftena Enable DSU memory enters shutdown mode by software. 1'b0: Disable 1'b1: Enable Bit[8] used to shutdown "Snoop filter and LTDB RAMs". Bit[9] used to shutdown "L3 Tag ways 0~3, L3 Data portion 0, and L3 Victim RAMs". Bit[10] used to shutdown "L3 Tag ways 4~7". Bit[11] used to shutdown "L3 Tag ways 8~11, L3 Data portion 1 RAMs".
7:4	RW	0x0	dsu_mem_ls_ena Enable DSU memory enters light sleep mode by hardware. 1'b0: Disable 1'b1: Enable Bit[4] used to light sleep "Snoop filter and LTDB RAMs". Bit[5] used to light sleep "L3 Tag ways 0~3, L3 Data portion 0, and L3 Victim RAMs". Bit[6] used to light sleep "L3 Tag ways 4~7". Bit[7] used to light sleep "L3 Tag ways 8~11, L3 Data portion 1 RAMs".
3:0	RW	0x0	dsu_mem_sd_ena Enable DSU memory enters shutdown mode by hardware. 1'b0: Disable 1'b1: Enable Bit[0] used to shutdown "Snoop filter and LTDB RAMs". Bit[1] used to shutdown "L3 Tag ways 0~3, L3 Data portion 0, and L3 Victim RAMs". Bit[2] used to shutdown "L3 Tag ways 4~7". Bit[3] used to shutdown "L3 Tag ways 8~11, L3 Data portion 1 RAMs".

**PMU DSU STABLE CNT**

Address: Operational Base + offset (0x80B0)

Bit	Attr	Reset Value	Description
31:20	RO	0x000	reserved
19:0	RW	0xfffff	dsu_stable_cnt VD_DSU power stable count. Number of clk_pmu used by counter logic.

**PMU DSU PWRUP CNT**

Address: Operational Base + offset (0x80B4)

Bit	Attr	Reset Value	Description
31:20	RO	0x000	reserved
19:0	RW	0x05dc0	dsu_pwrup_cnt VD_DSU power up count. Number of clk_pmu used by counter logic.

**PMU DSU PWRDN CNT**

Address: Operational Base + offset (0x80B8)

Bit	Attr	Reset Value	Description
31:20	RO	0x000	reserved
19:0	RW	0x05dc0	dsu_pwrdn_cnt VD_DSU power down count. Number of clk_pmu used by counter logic.

**PMU CORE0 STABLE CNT**

Address: Operational Base + offset (0x80BC)

Bit	Attr	Reset Value	Description
31:20	RO	0x000	reserved
19:0	RW	0xffff	core0_stable_cnt VD_BIGCORE0 power stable count. Number of clk_pmu used by counter logic.

**PMU CORE0 PWRUP CNT**

Address: Operational Base + offset (0x80C0)

Bit	Attr	Reset Value	Description
31:20	RO	0x000	reserved
19:0	RW	0x05dc0	core0_pwrup_cnt VD_BIGCORE0 power up count. Number of clk_pmu used by counter logic.

**PMU CORE0 PWRDN CNT**

Address: Operational Base + offset (0x80C4)

Bit	Attr	Reset Value	Description
31:20	RO	0x000	reserved
19:0	RW	0x05dc0	core0_pwrdn_cnt VD_BIGCORE0 power down count. Number of clk_pmu used by counter logic.

**PMU CORE1 STABLE CNT**

Address: Operational Base + offset (0x80C8)

Bit	Attr	Reset Value	Description
31:20	RO	0x000	reserved
19:0	RW	0xffff	core1_stable_cnt VD_BIGCORE1 power stable count. Number of clk_pmu used by counter logic.

**PMU CORE1 PWRUP CNT**

Address: Operational Base + offset (0x80CC)

Bit	Attr	Reset Value	Description
31:20	RO	0x000	reserved
19:0	RW	0x05dc0	core1_pwrup_cnt VD_BIGCORE1 power up count. Number of clk_pmu used by counter logic.

**PMU CORE1 PWRDN CNT**

Address: Operational Base + offset (0x80D0)

Bit	Attr	Reset Value	Description
31:20	RO	0x000	reserved
19:0	RW	0x05dc0	core1_pwrdn_cnt VD_BIGCORE1 power down count. Number of clk_pmu used by counter logic.

**PMU CPU0 DBG RST CNT**

Address: Operational Base + offset (0x80D4)

Bit	Attr	Reset Value	Description
31:20	RO	0x000	reserved

Bit	Attr	Reset Value	Description
19:0	RW	0xfffff	cpu0_dbg_rst_cnt CPU0 debug reset count. Number of clk_pmu used by counter logic. The CPU reset holds low until counter to zero in debug recovery mode.

**PMU CPU1 DBG RST CNT**

Address: Operational Base + offset (0x80D8)

Bit	Attr	Reset Value	Description
31:20	RO	0x000	reserved
19:0	RW	0xfffff	cpu1_dbg_rst_cnt CPU1 debug reset count. Number of clk_pmu used by counter logic. The CPU reset holds low until counter to zero in debug recovery mode.

**PMU CPU2 DBG RST CNT**

Address: Operational Base + offset (0x80DC)

Bit	Attr	Reset Value	Description
31:20	RO	0x000	reserved
19:0	RW	0xfffff	cpu2_dbg_rst_cnt CPU2 debug reset count. Number of clk_pmu used by counter logic. The CPU reset holds low until counter to zero in debug recovery mode.

**PMU CPU3 DBG RST CNT**

Address: Operational Base + offset (0x80E0)

Bit	Attr	Reset Value	Description
31:20	RO	0x000	reserved
19:0	RW	0xfffff	cpu3_dbg_rst_cnt CPU3 debug reset count. Number of clk_pmu used by counter logic. The CPU reset holds low until counter to zero in debug recovery mode.

**PMU CPU4 DBG RST CNT**

Address: Operational Base + offset (0x80E4)

Bit	Attr	Reset Value	Description
31:20	RO	0x000	reserved
19:0	RW	0xfffff	cpu4_dbg_rst_cnt CPU4 debug reset count. Number of clk_pmu used by counter logic. The CPU reset holds low until counter to zero in debug recovery mode.

**PMU CPU5 DBG RST CNT**

Address: Operational Base + offset (0x80E8)

Bit	Attr	Reset Value	Description
31:20	RO	0x000	reserved
19:0	RW	0xfffff	cpu5_dbg_rst_cnt CPU5 debug reset count. Number of clk_pmu used by counter logic. The CPU reset holds low until counter to zero in debug recovery mode.

**PMU CPU6 DBG RST CNT**

Address: Operational Base + offset (0x80EC)

Bit	Attr	Reset Value	Description
31:20	RO	0x000	reserved
19:0	RW	0xfffff	cpu6_dbg_rst_cnt CPU6 debug reset count. Number of clk_pmu used by counter logic. The CPU reset holds low until counter to zero in debug recovery mode.

**PMU CPU7 DBG RST CNT**

Address: Operational Base + offset (0x80F0)

Bit	Attr	Reset Value	Description
31:20	RO	0x000	reserved
19:0	RW	0xfffff	cpu7_dbg_rst_cnt CPU7 debug reset count. Number of clk_pmu used by counter logic. The CPU reset holds low until counter to zero in debug recovery mode.

**PMU BIU IDLE CON0**

Address: Operational Base + offset (0x8100)

Bit	Attr	Reset Value	Description
31:16	WO	0x0000	write_enable Write enable for lower 16 bits, each bit is individual. 1'b0: Write access disable 1'b1: Write access enable
15	RW	0x0	idle_req_vo0_ena Enable sending idle request to BIU_VO0 by hardware. 1'b0: Disable 1'b1: Enable
14	RW	0x0	idle_req_vop_channel_ena Enable sending idle request to BIU_VOP_CHANNEL by hardware. 1'b0: Disable 1'b1: Enable
13	RW	0x0	idle_req_vop_ena Enable sending idle request to BIU_VOP by hardware. 1'b0: Disable 1'b1: Enable
12	RW	0x0	idle_req_rga31_ena Enable sending idle request to BIU_RGA31 by hardware. 1'b0: Disable 1'b1: Enable
11	RW	0x0	idle_req_isp1_ena Enable sending idle request to BIU_ISP1 by hardware. 1'b0: Disable 1'b1: Enable
10	RW	0x0	idle_req_vi_ena Enable sending idle request to BIU_VI by hardware. 1'b0: Disable 1'b1: Enable
9	RW	0x0	idle_req_av1_ena Enable sending idle request to BIU_AV1 by hardware. 1'b0: Disable 1'b1: Enable

Bit	Attr	Reset Value	Description
8	RW	0x0	idle_req_vdpu_ena Enable sending idle request to BIU_VDPU by hardware. 1'b0: Disable 1'b1: Enable
7	RW	0x0	idle_req_rkvdec1_ena Enable sending idle request to BIU_RKVDEC1 by hardware. 1'b0: Disable 1'b1: Enable
6	RW	0x0	idle_req_rkvdec0_ena Enable sending idle request to BIU_RKVDEC0 by hardware. 1'b0: Disable 1'b1: Enable
5	RW	0x0	idle_req_venc1_ena Enable sending idle request to BIU_VENC1 by hardware. 1'b0: Disable 1'b1: Enable
4	RW	0x0	idle_req_venc0_ena Enable sending idle request to BIU_VENC0 by hardware. 1'b0: Disable 1'b1: Enable
3	RW	0x0	idle_req_npu2_ena Enable sending idle request to BIU_NPU2 by hardware. 1'b0: Disable 1'b1: Enable
2	RW	0x0	idle_req_npu1_ena Enable sending idle request to BIU_NPU1 by hardware. 1'b0: Disable 1'b1: Enable
1	RW	0x0	idle_req_nputop_ena Enable sending idle request to BIU_NPUTOP by hardware. 1'b0: Disable 1'b1: Enable
0	RW	0x0	idle_req_gpu_ena Enable sending idle request to BIU_GPU by hardware. 1'b0: Disable 1'b1: Enable

**PMU BIU IDLE CON1**

Address: Operational Base + offset (0x8104)

Bit	Attr	Reset Value	Description
31:16	WO	0x0000	write_enable Write enable for lower 16 bits, each bit is individual. 1'b0: Write access disable 1'b1: Write access enable
15	RW	0x0	idle_req_ddrsch3_ena Enable sending idle request to BIU_DDRSCH3 by hardware. 1'b0: Disable 1'b1: Enable
14	RW	0x0	idle_req_ddrsch2_ena Enable sending idle request to BIU_DDRSCH2 by hardware. 1'b0: Disable 1'b1: Enable

Bit	Attr	Reset Value	Description
13	RW	0x0	idle_req_ddrsch1_ena Enable sending idle request to BIU_DDRSCH1 by hardware. 1'b0: Disable 1'b1: Enable
12	RW	0x0	idle_req_ddrsch0_ena Enable sending idle request to BIU_DDRSCH0 by hardware. 1'b0: Disable 1'b1: Enable
11	RW	0x0	idle_req_center_channel_ena Enable sending idle request to BIU_CENTER_CHANNEL by hardware. 1'b0: Disable 1'b1: Enable
10	RW	0x0	idle_req_center_ena Enable sending idle request to BIU_CENTER by hardware. 1'b0: Disable 1'b1: Enable
9	RW	0x0	idle_req_secure_vo1usb_channel_ena Enable sending idle request to BIU_SECURE_VO1USB_CHANNEL by hardware. 1'b0: Disable 1'b1: Enable
8	RW	0x0	idle_req_secure_center_channel_ena Enable sending idle request to BIU_SECURE_CENTER_CHANNEL by hardware. 1'b0: Disable 1'b1: Enable
7	RW	0x0	idle_req_secure_ena Enable sending idle request to BIU_SECURE by hardware. 1'b0: Disable 1'b1: Enable
6	RW	0x0	idle_req_vo1usbtopy_ena Enable sending idle request to BIU_VO1USBTOP by hardware. 1'b0: Disable 1'b1: Enable
5	RW	0x0	idle_req_php_ena Enable sending idle request to BIU_PHP by hardware. 1'b0: Disable 1'b1: Enable
4	RW	0x0	idle_req_usb_ena Enable sending idle request to BIU_USB by hardware. 1'b0: Disable 1'b1: Enable
3	RW	0x0	idle_req_sdio_ena Enable sending idle request to BIU_SDIO by hardware. 1'b0: Disable 1'b1: Enable
2	RW	0x0	idle_req_nvm_ena Enable sending idle request to BIU_NVM by hardware. 1'b0: Disable 1'b1: Enable
1	RW	0x0	idle_req_audio_ena Enable sending idle request to BIU_AUDIO by hardware. 1'b0: Disable 1'b1: Enable



Bit	Attr	Reset Value	Description
0	RW	0x0	idle_req_vo1_ena Enable sending idle request to BIU_VO1 by hardware. 1'b0: Disable 1'b1: Enable

**PMU BIU IDLE CON2**

Address: Operational Base + offset (0x8108)

Bit	Attr	Reset Value	Description
31:16	WO	0x0000	write_enable Write enable for lower 16 bits, each bit is individual. 1'b0: Write access disable 1'b1: Write access enable
15:3	RO	0x0000	reserved
2	RW	0x0	idle_req_top_ena Enable sending idle request to BIU_TOP by hardware. 1'b0: Disable 1'b1: Enable
1	RW	0x0	idle_req_bus_ena Enable sending idle request to BIU_BUS by hardware. 1'b0: Disable 1'b1: Enable
0	RW	0x0	idle_req_center_ddrsch_ena Enable sending idle request to BIU_CENTER_DDRSCH by hardware. 1'b0: Disable 1'b1: Enable

**PMU BIU IDLE SFTCON0**

Address: Operational Base + offset (0x810C)

Bit	Attr	Reset Value	Description
31:16	WO	0x0000	write_enable Write enable for lower 16 bits, each bit is individual. 1'b0: Write access disable 1'b1: Write access enable
15	RW	0x0	idle_req_vo0_sftena Enable sending idle request to BIU_VO0 by software. 1'b0: Disable 1'b1: Enable
14	RW	0x0	idle_req_vop_channel_sftena Enable sending idle request to BIU_VOP_CHANNEL by software. 1'b0: Disable 1'b1: Enable
13	RW	0x0	idle_req_vop_sftena Enable sending idle request to BIU_VOP by software. 1'b0: Disable 1'b1: Enable
12	RW	0x0	idle_req_rga31_sftena Enable sending idle request to BIU_RGA31 by software. 1'b0: Disable 1'b1: Enable
11	RW	0x0	idle_req_isp1_sftena Enable sending idle request to BIU_ISP1 by software. 1'b0: Disable 1'b1: Enable

Bit	Attr	Reset Value	Description
10	RW	0x0	idle_req_vi_sftena Enable sending idle request to BIU_VI by software. 1'b0: Disable 1'b1: Enable
9	RW	0x0	idle_req_av1_sftena Enable sending idle request to BIU_AV1 by software. 1'b0: Disable 1'b1: Enable
8	RW	0x0	idle_req_vdpu_sftena Enable sending idle request to BIU_VDPU by software. 1'b0: Disable 1'b1: Enable
7	RW	0x0	idle_req_rkvdec1_sftena Enable sending idle request to BIU_RKVDEC1 by software. 1'b0: Disable 1'b1: Enable
6	RW	0x0	idle_req_rkvdec0_sftena Enable sending idle request to BIU_RKVDEC0 by software. 1'b0: Disable 1'b1: Enable
5	RW	0x0	idle_req_venc1_sftena Enable sending idle request to BIU_VENC1 by software. 1'b0: Disable 1'b1: Enable
4	RW	0x0	idle_req_venc0_sftena Enable sending idle request to BIU_VENC0 by software. 1'b0: Disable 1'b1: Enable
3	RW	0x0	idle_req_npu2_sftena Enable sending idle request to BIU_NPU2 by software. 1'b0: Disable 1'b1: Enable
2	RW	0x0	idle_req_npu1_sftena Enable sending idle request to BIU_NPU1 by software. 1'b0: Disable 1'b1: Enable
1	RW	0x0	idle_req_nputop_sftena Enable sending idle request to BIU_NPUTOP by software. 1'b0: Disable 1'b1: Enable
0	RW	0x0	idle_req_gpu_sftena Enable sending idle request to BIU_GPU by software. 1'b0: Disable 1'b1: Enable

**PMU BIU IDLE SFTCON1**

Address: Operational Base + offset (0x8110)

Bit	Attr	Reset Value	Description
31:16	WO	0x0000	write_enable Write enable for lower 16 bits, each bit is individual. 1'b0: Write access disable 1'b1: Write access enable

Bit	Attr	Reset Value	Description
15	RW	0x0	idle_req_ddrsch3_sftena Enable sending idle request to BIU_DDRSCH3 by software. 1'b0: Disable 1'b1: Enable
14	RW	0x0	idle_req_ddrsch2_sftena Enable sending idle request to BIU_DDRSCH2 by software. 1'b0: Disable 1'b1: Enable
13	RW	0x0	idle_req_ddrsch1_sftena Enable sending idle request to BIU_DDRSCH1 by software. 1'b0: Disable 1'b1: Enable
12	RW	0x0	idle_req_ddrsch0_sftena Enable sending idle request to BIU_DDRSCH0 by software. 1'b0: Disable 1'b1: Enable
11	RW	0x0	idle_req_center_channel_sftena Enable sending idle request to BIU_CENTER_CHANNEL by software. 1'b0: Disable 1'b1: Enable
10	RW	0x0	idle_req_center_sftena Enable sending idle request to BIU_CENTER by software. 1'b0: Disable 1'b1: Enable
9	RW	0x0	idle_req_secure_vo1usb_channel_sftena Enable sending idle request to BIU_SECURE_VO1USB_CHANNEL by software. 1'b0: Disable 1'b1: Enable
8	RW	0x0	idle_req_secure_center_channel_sftena Enable sending idle request to BIU_SECURE_CENTER_CHANNEL by software. 1'b0: Disable 1'b1: Enable
7	RW	0x0	idle_req_secure_sftena Enable sending idle request to BIU_SECURE by software. 1'b0: Disable 1'b1: Enable
6	RW	0x0	idle_req_vo1usbtopy_sftena Enable sending idle request to BIU_VO1USBTOP by software. 1'b0: Disable 1'b1: Enable
5	RW	0x0	idle_req_php_sftena Enable sending idle request to BIU_PHP by software. 1'b0: Disable 1'b1: Enable
4	RW	0x0	idle_req_usb_sftena Enable sending idle request to BIU_USB by software. 1'b0: Disable 1'b1: Enable
3	RW	0x0	idle_req_sdio_sftena Enable sending idle request to BIU_SDIO by software. 1'b0: Disable 1'b1: Enable

Bit	Attr	Reset Value	Description
2	RW	0x0	idle_req_nvm_sftena Enable sending idle request to BIU_NVM by software. 1'b0: Disable 1'b1: Enable
1	RW	0x0	idle_req_audio_sftena Enable sending idle request to BIU_AUDIO by software. 1'b0: Disable 1'b1: Enable
0	RW	0x0	idle_req_vo1_sftena Enable sending idle request to BIU_VO1 by software. 1'b0: Disable 1'b1: Enable

**PMU BIU IDLE SFTCON2**

Address: Operational Base + offset (0x8114)

Bit	Attr	Reset Value	Description
31:16	WO	0x0000	write_enable Write enable for lower 16 bits, each bit is individual. 1'b0: Write access disable 1'b1: Write access enable
15:3	RO	0x0000	reserved
2	RW	0x0	idle_req_top_sftena Enable sending idle request to BIU_TOP by software. 1'b0: Disable 1'b1: Enable
1	RW	0x0	idle_req_bus_sftena Enable sending idle request to BIU_BUS by software. 1'b0: Disable 1'b1: Enable
0	RW	0x0	idle_req_center_ddrsch_sftena Enable sending idle request to BIU_CENTER_DDRSCH by software. 1'b0: Disable 1'b1: Enable

**PMU BIU IDLE ACK STS0**

Address: Operational Base + offset (0x8118)

Bit	Attr	Reset Value	Description
31	RO	0x0	idle_ack_ddrsch3 BIU_DDRSCH3 idle acknowledge state. 1'b0: Not acknowledge 1'b1: Acknowledge
30	RO	0x0	idle_ack_ddrsch2 BIU_DDRSCH2 idle acknowledge state. 1'b0: Not acknowledge 1'b1: Acknowledge
29	RO	0x0	idle_ack_ddrsch1 BIU_DDRSCH1 idle acknowledge state. 1'b0: Not acknowledge 1'b1: Acknowledge
28	RO	0x0	idle_ack_ddrsch0 BIU_DDRSCH0 idle acknowledge state. 1'b0: Not acknowledge 1'b1: Acknowledge

Bit	Attr	Reset Value	Description
27	RO	0x0	idle_ack_center_channel BIU_CENTER_CHANNEL idle acknowledge state. 1'b0: Not acknowledge 1'b1: Acknowledge
26	RO	0x0	idle_ack_center BIU_CENTER idle acknowledge state. 1'b0: Not acknowledge 1'b1: Acknowledge
25	RO	0x0	idle_ack_secure_vo1usb_channel BIU_SECURE_VO1USB_CHANNEL idle acknowledge state. 1'b0: Not acknowledge 1'b1: Acknowledge
24	RO	0x0	idle_ack_secure_center_channel BIU_SECURE_CENTER_CHANNEL idle acknowledge state. 1'b0: Not acknowledge 1'b1: Acknowledge
23	RO	0x0	idle_ack_secure BIU_SECURE idle acknowledge state. 1'b0: Not acknowledge 1'b1: Acknowledge
22	RO	0x0	idle_ack_vo1usbtopy BIU_VO1USBTOP idle acknowledge state. 1'b0: Not acknowledge 1'b1: Acknowledge
21	RO	0x0	idle_ack_php BIU_PHP idle acknowledge state. 1'b0: Not acknowledge 1'b1: Acknowledge
20	RO	0x0	idle_ack_usb BIU_USB idle acknowledge state. 1'b0: Not acknowledge 1'b1: Acknowledge
19	RO	0x0	idle_ack_sdio BIU_SDIO idle acknowledge state. 1'b0: Not acknowledge 1'b1: Acknowledge
18	RO	0x0	idle_ack_nvmm BIU_NVM idle acknowledge state. 1'b0: Not acknowledge 1'b1: Acknowledge
17	RO	0x0	idle_ack_audiod BIU_AUDIO idle acknowledge state. 1'b0: Not acknowledge 1'b1: Acknowledge
16	RO	0x0	idle_ack_vo1 BIU_VO1 idle acknowledge state. 1'b0: Not acknowledge 1'b1: Acknowledge
15	RO	0x0	idle_ack_vo0 BIU_VO0 idle acknowledge state. 1'b0: Not acknowledge 1'b1: Acknowledge

Bit	Attr	Reset Value	Description
14	RO	0x0	idle_ack_vop_channel BIU_VOP_CHANNEL idle acknowledge state. 1'b0: Not acknowledge 1'b1: Acknowledge
13	RO	0x0	idle_ack_vop BIU_VOP idle acknowledge state. 1'b0: Not acknowledge 1'b1: Acknowledge
12	RO	0x0	idle_ack_rga31 BIU_RGA31 idle acknowledge state. 1'b0: Not acknowledge 1'b1: Acknowledge
11	RO	0x0	idle_ack_isp1 BIU_ISP1 idle acknowledge state. 1'b0: Not acknowledge 1'b1: Acknowledge
10	RO	0x0	idle_ack_vi BIU_VI idle acknowledge state. 1'b0: Not acknowledge 1'b1: Acknowledge
9	RO	0x0	idle_ack_av1 BIU_AV1 idle acknowledge state. 1'b0: Not acknowledge 1'b1: Acknowledge
8	RO	0x0	idle_ack_vdpu BIU_VDPU idle acknowledge state. 1'b0: Not acknowledge 1'b1: Acknowledge
7	RO	0x0	idle_ack_rkvdec1 BIU_RKVDEC1 idle acknowledge state. 1'b0: Not acknowledge 1'b1: Acknowledge
6	RO	0x0	idle_ack_rkvdec0 BIU_RKVDEC0 idle acknowledge state. 1'b0: Not acknowledge 1'b1: Acknowledge
5	RO	0x0	idle_ack_venc1 BIU_VENC1 idle acknowledge state. 1'b0: Not acknowledge 1'b1: Acknowledge
4	RO	0x0	idle_ack_venc0 BIU_VENC0 idle acknowledge state. 1'b0: Not acknowledge 1'b1: Acknowledge
3	RO	0x0	idle_ack_npu2 BIU_NPU2 idle acknowledge state. 1'b0: Not acknowledge 1'b1: Acknowledge
2	RO	0x0	idle_ack_npu1 BIU_NPU1 idle acknowledge state. 1'b0: Not acknowledge 1'b1: Acknowledge

Bit	Attr	Reset Value	Description
1	RO	0x0	idle_ack_nputop BIU_NPUTOP idle acknowledge state. 1'b0: Not acknowledge 1'b1: Acknowledge
0	RO	0x0	idle_ack_gpu BIU_GPU idle acknowledge state. 1'b0: Not acknowledge 1'b1: Acknowledge

**PMU BIU IDLE ACK STS1**

Address: Operational Base + offset (0x811C)

Bit	Attr	Reset Value	Description
31:3	RO	0x00000000	reserved
2	RO	0x0	idle_ack_top BIU_TOP idle acknowledge state. 1'b0: Not acknowledge 1'b1: Acknowledge
1	RO	0x0	idle_ack_bus BIU_BUS idle acknowledge state. 1'b0: Not acknowledge 1'b1: Acknowledge
0	RO	0x0	idle_ack_center_ddrsch BIU_CENTER_DDRSCH idle acknowledge state. 1'b0: Not acknowledge 1'b1: Acknowledge

**PMU BIU IDLE STS0**

Address: Operational Base + offset (0x8120)

Bit	Attr	Reset Value	Description
31	RO	0x0	idle_ddrsch3 BIU_DDRSCH3 idle state. 1'b0: Not idle 1'b1: Idle
30	RO	0x0	idle_ddrsch2 BIU_DDRSCH2 idle state. 1'b0: Not idle 1'b1: Idle
29	RO	0x0	idle_ddrsch1 BIU_DDRSCH1 idle state. 1'b0: Not idle 1'b1: Idle
28	RO	0x0	idle_ddrsch0 BIU_DDRSCH0 idle state. 1'b0: Not idle 1'b1: Idle
27	RO	0x0	idle_center_channel BIU_CENTER_CHANNEL idle state. 1'b0: Not idle 1'b1: Idle
26	RO	0x0	idle_center BIU_CENTER idle state. 1'b0: Not idle 1'b1: Idle

Bit	Attr	Reset Value	Description
25	RO	0x0	idle_secure_vo1usb_channel BIU_SECURE_VO1USB_CHANNEL idle state. 1'b0: Not idle 1'b1: Idle
24	RO	0x0	idle_secure_center_channel BIU_SECURE_CENTER_CHANNEL idle state. 1'b0: Not idle 1'b1: Idle
23	RO	0x0	idle_secure BIU_SECURE idle state. 1'b0: Not idle 1'b1: Idle
22	RO	0x0	idle_vo1usbtopy BIU_VO1USBTOP idle state. 1'b0: Not idle 1'b1: Idle
21	RO	0x0	idle_php BIU_PHP idle state. 1'b0: Not idle 1'b1: Idle
20	RO	0x0	idle_usb BIU_USB idle state. 1'b0: Not idle 1'b1: Idle
19	RO	0x0	idle_sdio BIU_SDIO idle state. 1'b0: Not idle 1'b1: Idle
18	RO	0x0	idle_nvm BIU_NVM idle state. 1'b0: Not idle 1'b1: Idle
17	RO	0x0	idle_audio BIU_AUDIO idle state. 1'b0: Not idle 1'b1: Idle
16	RO	0x0	idle_vo1 BIU_VO1 idle state. 1'b0: Not idle 1'b1: Idle
15	RO	0x0	idle_vo0 BIU_VO0 idle state. 1'b0: Not idle 1'b1: Idle
14	RO	0x0	idle_vop_channel BIU_VOP_CHANNEL idle state. 1'b0: Not idle 1'b1: Idle
13	RO	0x0	idle_vop BIU_VOP idle state. 1'b0: Not idle 1'b1: Idle



Bit	Attr	Reset Value	Description
12	RO	0x0	idle_rga31 BIU_RGA31 idle state. 1'b0: Not idle 1'b1: Idle
11	RO	0x0	idle_isp1 BIU_ISP1 idle state. 1'b0: Not idle 1'b1: Idle
10	RO	0x0	idle_vi BIU_VI idle state. 1'b0: Not idle 1'b1: Idle
9	RO	0x0	idle_av1 BIU_AV1 idle state. 1'b0: Not idle 1'b1: Idle
8	RO	0x0	idle_vdpu BIU_VDPU idle state. 1'b0: Not idle 1'b1: Idle
7	RO	0x0	idle_rkvdec1 BIU_RKVDEC1 idle state. 1'b0: Not idle 1'b1: Idle
6	RO	0x0	idle_rkvdec0 BIU_RKVDEC0 idle state. 1'b0: Not idle 1'b1: Idle
5	RO	0x0	idle_venc1 BIU_VENC1 idle state. 1'b0: Not idle 1'b1: Idle
4	RO	0x0	idle_venc0 BIU_VENC0 idle state. 1'b0: Not idle 1'b1: Idle
3	RO	0x0	idle_npu2 BIU_NPU2 idle state. 1'b0: Not idle 1'b1: Idle
2	RO	0x0	idle_npu1 BIU_NPU1 idle state. 1'b0: Not idle 1'b1: Idle
1	RO	0x0	idle_nputop BIU_NPUTOP idle state. 1'b0: Not idle 1'b1: Idle
0	RO	0x0	idle_gpu BIU_GPU idle state. 1'b0: Not idle 1'b1: Idle

**PMU BIU IDLE STS1**

Address: Operational Base + offset (0x8124)

Bit	Attr	Reset Value	Description
31:3	RO	0x00000000	reserved
2	RO	0x0	idle_top BIU_TOP idle state. 1'b0: Not idle 1'b1: Idle
1	RO	0x0	idle_bus BIU_BUS idle state. 1'b0: Not idle 1'b1: Idle
0	RO	0x0	idle_center_ddrsch BIU_CENTER_DDRSCH idle state. 1'b0: Not idle 1'b1: Idle

**PMU BIU AUTO CON0**

Address: Operational Base + offset (0x8128)

Bit	Attr	Reset Value	Description
31:16	WO	0x0000	write_enable Write enable for lower 16 bits, each bit is individual. 1'b0: Write access disable 1'b1: Write access enable
15	RW	0x0	idle_auto_vo0_ena If enable, BIU_VO0 corresponding clock can be opened or gated automatically when idle operation. 1'b0: Disable 1'b1: Enable
14	RW	0x0	idle_auto_vop_channel_ena If enable, BIU_VOP_CHANNEL corresponding clock can be opened or gated automatically when idle operation. 1'b0: Disable 1'b1: Enable
13	RW	0x0	idle_auto_vop_ena If enable, BIU_VOP corresponding clock can be opened or gated automatically when idle operation. 1'b0: Disable 1'b1: Enable
12	RW	0x0	idle_auto_rga31_ena If enable, BIU_RGA31 corresponding clock can be opened or gated automatically when idle operation. 1'b0: Disable 1'b1: Enable
11	RW	0x0	idle_auto_isp1_ena If enable, BIU_ISP1 corresponding clock can be opened or gated automatically when idle operation. 1'b0: Disable 1'b1: Enable
10	RW	0x0	idle_auto_vi_ena If enable, BIU_VI corresponding clock can be opened or gated automatically when idle operation. 1'b0: Disable 1'b1: Enable

Bit	Attr	Reset Value	Description
9	RW	0x0	idle_auto_av1_ena If enable, BIU_AV1 corresponding clock can be opened or gated automatically when idle operation. 1'b0: Disable 1'b1: Enable
8	RW	0x0	idle_auto_vdpu_ena If enable, BIU_VDPU corresponding clock can be opened or gated automatically when idle operation. 1'b0: Disable 1'b1: Enable
7	RW	0x0	idle_auto_rkvdec1_ena If enable, BIU_RKVDEC1 corresponding clock can be opened or gated automatically when idle operation. 1'b0: Disable 1'b1: Enable
6	RW	0x0	idle_auto_rkvdec0_ena If enable, BIU_RKVDEC0 corresponding clock can be opened or gated automatically when idle operation. 1'b0: Disable 1'b1: Enable
5	RW	0x0	idle_auto_venc1_ena If enable, BIU_VENC1 corresponding clock can be opened or gated automatically when idle operation. 1'b0: Disable 1'b1: Enable
4	RW	0x0	idle_auto_venc0_ena If enable, BIU_VENC0 corresponding clock can be opened or gated automatically when idle operation. 1'b0: Disable 1'b1: Enable
3	RW	0x0	idle_auto_npu2_ena If enable, BIU_NPU2 corresponding clock can be opened or gated automatically when idle operation. 1'b0: Disable 1'b1: Enable
2	RW	0x0	idle_auto_npu1_ena If enable, BIU_NPU1 corresponding clock can be opened or gated automatically when idle operation. 1'b0: Disable 1'b1: Enable
1	RW	0x0	idle_auto_nputop_ena If enable, BIU_NPUTOP corresponding clock can be opened or gated automatically when idle operation. 1'b0: Disable 1'b1: Enable
0	RW	0x0	biu_auto_gpu_ena If enable, BIU_GPU corresponding clock can be opened or gated automatically when idle operation. 1'b0: Disable 1'b1: Enable

**PMU BIU AUTO CON1**

Address: Operational Base + offset (0x812C)

Bit	Attr	Reset Value	Description
31:16	WO	0x0000	write_enable Write enable for lower 16 bits, each bit is individual. 1'b0: Write access disable 1'b1: Write access enable
15	RW	0x0	idle_auto_ddrsch3_ena If enable, BIU_DDRSCH3 corresponding clock can be opened or gated automatically when idle operation. 1'b0: Disable 1'b1: Enable
14	RW	0x0	idle_auto_ddrsch2_ena If enable, BIU_DDRSCH2 corresponding clock can be opened or gated automatically when idle operation. 1'b0: Disable 1'b1: Enable
13	RW	0x0	idle_auto_ddrsch1_ena If enable, BIU_DDRSCH1 corresponding clock can be opened or gated automatically when idle operation. 1'b0: Disable 1'b1: Enable
12	RW	0x0	idle_auto_ddrsch0_ena If enable, BIU_DDRSCH0 corresponding clock can be opened or gated automatically when idle operation. 1'b0: Disable 1'b1: Enable
11	RW	0x0	idle_auto_center_channel_ena If enable, BIU_CENTER_CHANNEL corresponding clock can be opened or gated automatically when idle operation. 1'b0: Disable 1'b1: Enable
10	RW	0x0	idle_auto_center_ena If enable, BIU_CENTER corresponding clock can be opened or gated automatically when idle operation. 1'b0: Disable 1'b1: Enable
9	RW	0x0	idle_auto_secure_vo1usb_channel_ena If enable, BIU_SECURE_VO1USB_CHANNEL corresponding clock can be opened or gated automatically when idle operation. 1'b0: Disable 1'b1: Enable
8	RW	0x0	idle_auto_secure_center_channel_ena If enable, BIU_SECURE_CENTER_CHANNEL corresponding clock can be opened or gated automatically when idle operation. 1'b0: Disable 1'b1: Enable
7	RW	0x0	idle_auto_secure_ena If enable, BIU_SECURE corresponding clock can be opened or gated automatically when idle operation. 1'b0: Disable 1'b1: Enable
6	RW	0x0	idle_auto_vo1usbtcp_ena If enable, BIU_VO1USBTCP corresponding clock can be opened or gated automatically when idle operation. 1'b0: Disable 1'b1: Enable

Bit	Attr	Reset Value	Description
5	RW	0x0	idle_auto_php_ena If enable, BIU_PHP corresponding clock can be opened or gated automatically when idle operation. 1'b0: Disable 1'b1: Enable
4	RW	0x0	idle_auto_usb_ena If enable, BIU_USB corresponding clock can be opened or gated automatically when idle operation. 1'b0: Disable 1'b1: Enable
3	RW	0x0	idle_auto_sdio_ena If enable, BIU_SDIO corresponding clock can be opened or gated automatically when idle operation. 1'b0: Disable 1'b1: Enable
2	RW	0x0	idle_auto_nvme_ena If enable, BIU_NVME corresponding clock can be opened or gated automatically when idle operation. 1'b0: Disable 1'b1: Enable
1	RW	0x0	idle_auto_audio_ena If enable, BIU_AUDIO corresponding clock can be opened or gated automatically when idle operation. 1'b0: Disable 1'b1: Enable
0	RW	0x0	idle_auto_vo1_ena If enable, BIU_VO1 corresponding clock can be opened or gated automatically when idle operation. 1'b0: Disable 1'b1: Enable

**PMU BIU AUTO CON2**

Address: Operational Base + offset (0x8130)

Bit	Attr	Reset Value	Description
31:16	WO	0x0000	write_enable Write enable for lower 16 bits, each bit is individual. 1'b0: Write access disable 1'b1: Write access enable
15:3	RO	0x0000	reserved
2	RW	0x0	idle_auto_top_ena If enable, BIU_TOP corresponding clock can be opened or gated automatically when idle operation. 1'b0: Disable 1'b1: Enable
1	RW	0x0	idle_auto_bus_ena If enable, BIU_BUS corresponding clock can be opened or gated automatically when idle operation. 1'b0: Disable 1'b1: Enable
0	RW	0x0	idle_auto_center_ddrsch_ena If enable, BIU_CENTER_DDRSCH corresponding clock can be opened or gated automatically when idle operation. 1'b0: Disable 1'b1: Enable

**PMU PWR\_GATE\_CON0**

Address: Operational Base + offset (0x8140)

Bit	Attr	Reset Value	Description
31:16	WO	0x0000	write_enable Write enable for lower 16 bits, each bit is individual. 1'b0: Write access disable 1'b1: Write access enable
15	RW	0x0	pd_isp1_dwn_ena Enable power down PD_ISP1 by hardware. 1'b0: Disable 1'b1: Enable
14	RW	0x0	pd_fec_dwn_ena Enable power down PD_FEC by hardware. 1'b0: Disable 1'b1: Enable
13	RW	0x0	pd_vi_dwn_ena Enable power down PD_VI by hardware. 1'b0: Disable 1'b1: Enable
12	RW	0x0	pd_av1_dwn_ena Enable power down PD_AV1 by hardware. 1'b0: Disable 1'b1: Enable
11	RW	0x0	pd_rga30_dwn_ena Enable power down PD_RGA30 by hardware. 1'b0: Disable 1'b1: Enable
10	RW	0x0	pd_vdpu_dwn_ena Enable power down PD_VDPU by hardware. 1'b0: Disable 1'b1: Enable
9	RW	0x0	pd_rkvdec1_dwn_ena Enable power down PD_RKVDEC1 by hardware. 1'b0: Disable 1'b1: Enable
8	RW	0x0	pd_rkvdec0_dwn_ena Enable power down PD_RKVDEC0 by hardware. 1'b0: Disable 1'b1: Enable
7	RW	0x0	pd_venc1_dwn_ena Enable power down PD_VENC1 by hardware. 1'b0: Disable 1'b1: Enable
6	RW	0x0	pd_venc0_dwn_ena Enable power down PD_VENC0 by hardware. 1'b0: Disable 1'b1: Enable
5	RW	0x0	pd_npu2_dwn_ena Enable power down PD_NPU2 by hardware. 1'b0: Disable 1'b1: Enable
4	RW	0x0	pd_npu1_dwn_ena Enable power down PD_NPU1 by hardware. 1'b0: Disable 1'b1: Enable

Bit	Attr	Reset Value	Description
3	RW	0x0	pd_nputop_dwn_ena Enable power down PD_NPUTOP by hardware. 1'b0: Disable 1'b1: Enable
2	RW	0x0	pd_vcodec_dwn_ena Enable power down VD_VCODEC by hardware. 1'b0: Disable 1'b1: Enable
1	RW	0x0	pd_npu_dwn_ena Enable power down VD_NPU by hardware. 1'b0: Disable 1'b1: Enable
0	RW	0x0	pd_gpu_dwn_ena Enable power down VD_GPU by hardware. 1'b0: Disable 1'b1: Enable

**PMU PWR\_GATE\_CON1**

Address: Operational Base + offset (0x8144)

Bit	Attr	Reset Value	Description
31:16	WO	0x0000	write_enable Write enable for lower 16 bits, each bit is individual. 1'b0: Write access disable 1'b1: Write access enable
15	RW	0x0	pd_center_dwn_ena Enable power down PD_CENTER by hardware. 1'b0: Disable 1'b1: Enable
14	RW	0x0	pd_crypto_dwn_ena Enable power down PD_CRYPTO by hardware. 1'b0: Disable 1'b1: Enable
13	RW	0x0	pd_sdmmc_dwn_ena Enable power down PD_SDMMC by hardware. 1'b0: Disable 1'b1: Enable
12	RW	0x0	pd_secure_dwn_ena Enable power down PD_SECURE by hardware. 1'b0: Disable 1'b1: Enable
11	RW	0x0	pd_usb_dwn_ena Enable power down PD_USB by hardware. 1'b0: Disable 1'b1: Enable
10	RW	0x0	pd_sdio_dwn_ena Enable power down PD_SDIO by hardware. 1'b0: Disable 1'b1: Enable
9	RW	0x0	pd_nvme0_dwn_ena Enable power down PD_NVME0 by hardware. 1'b0: Disable 1'b1: Enable

Bit	Attr	Reset Value	Description
8	RW	0x0	pd_nvmm_dwn_ena Enable power down PD_NVM by hardware. 1'b0: Disable 1'b1: Enable
7	RW	0x0	pd_pcie_dwn_ena Enable power down PD_PCIE by hardware. 1'b0: Disable 1'b1: Enable
6	RW	0x0	pd_gmac_dwn_ena Enable power down PD_GMAC by hardware. 1'b0: Disable 1'b1: Enable
5	RW	0x0	pd_php_dwn_ena Enable power down PD_PHP by hardware. 1'b0: Disable 1'b1: Enable
4	RW	0x0	pd_audio_dwn_ena Enable power down PD_AUDIO by hardware. 1'b0: Disable 1'b1: Enable
3	RW	0x0	pd_vo1_dwn_ena Enable power down PD_VO1 by hardware. 1'b0: Disable 1'b1: Enable
2	RW	0x0	pd_vo0_dwn_ena Enable power down PD_VO0 by hardware. 1'b0: Disable 1'b1: Enable
1	RW	0x0	pd_vop_dwn_ena Enable power down PD_VOP by hardware. 1'b0: Disable 1'b1: Enable
0	RW	0x0	pd_rga31_dwn_ena Enable power down PD_RGA31 by hardware. 1'b0: Disable 1'b1: Enable

**PMU PWR\_GATE\_CON2**

Address: Operational Base + offset (0x8148)

Bit	Attr	Reset Value	Description
31:16	WO	0x0000	write_enable Write enable for lower 16 bits, each bit is individual. 1'b0: Write access disable 1'b1: Write access enable
15:2	RO	0x0000	reserved
1	RW	0x0	pd_ddr23_dwn_ena Enable power down VD_DDR23 by hardware. 1'b0: Disable 1'b1: Enable
0	RW	0x0	pd_ddr01_dwn_ena Enable power down VD_DDR01 by hardware. 1'b0: Disable 1'b1: Enable

**PMU PWR\_GATE\_SFTCON0**



Address: Operational Base + offset (0x814C)

Bit	Attr	Reset Value	Description
31:16	WO	0x0000	write_enable Write enable for lower 16 bits, each bit is individual. 1'b0: Write access disable 1'b1: Write access enable
15	RW	0x1	pd_isp1_dwn_sftena Enable power down PD_ISP1 by software. 1'b0: Disable 1'b1: Enable
14	RW	0x1	pd_fec_dwn_sftena Enable power down PD_FEC by software. 1'b0: Disable 1'b1: Enable
13	RW	0x1	pd_vi_dwn_sftena Enable power down PD_VI by software. 1'b0: Disable 1'b1: Enable
12	RW	0x1	pd_av1_dwn_sftena Enable power down PD_AV1 by software. 1'b0: Disable 1'b1: Enable
11	RW	0x1	pd_rga30_dwn_sftena Enable power down PD_RGA30 by software. 1'b0: Disable 1'b1: Enable
10	RW	0x1	pd_vdpu_dwn_sftena Enable power down PD_VDPU by software. 1'b0: Disable 1'b1: Enable
9	RW	0x1	pd_rkvdec1_dwn_sftena Enable power down PD_RKVDEC1 by software. 1'b0: Disable 1'b1: Enable
8	RW	0x1	pd_rkvdec0_dwn_sftena Enable power down PD_RKVDEC0 by software. 1'b0: Disable 1'b1: Enable
7	RW	0x1	pd_venc1_dwn_sftena Enable power down PD_VENC1 by software. 1'b0: Disable 1'b1: Enable
6	RW	0x1	pd_venc0_dwn_sftena Enable power down PD_VENC0 by software. 1'b0: Disable 1'b1: Enable
5	RW	0x1	pd_npu2_dwn_sftena Enable power down PD_NPU2 by software. 1'b0: Disable 1'b1: Enable
4	RW	0x1	pd_npu1_dwn_sftena Enable power down PD_NPU1 by software. 1'b0: Disable 1'b1: Enable

Bit	Attr	Reset Value	Description
3	RW	0x1	pd_nputop_dwn_sftena Enable power down PD_NPUTOP by software. 1'b0: Disable 1'b1: Enable
2	RW	0x0	pd_vcodec_dwn_sftena Enable power down VD_VCODEC by software. 1'b0: Disable 1'b1: Enable
1	RW	0x0	pd_npu_dwn_sftena Enable power down VD_NPU by software. 1'b0: Disable 1'b1: Enable
0	RW	0x1	pd_gpu_dwn_sftena Enable power down VD_GPU by software. 1'b0: Disable 1'b1: Enable

**PMU PWR\_GATE\_SFTCON1**

Address: Operational Base + offset (0x8150)

Bit	Attr	Reset Value	Description
31:16	WO	0x0000	write_enable Write enable for lower 16 bits, each bit is individual. 1'b0: Write access disable 1'b1: Write access enable
15	RW	0x0	pd_center_dwn_sftena Enable power down PD_CENTER by software. 1'b0: Disable 1'b1: Enable
14	RW	0x0	pd_crypto_dwn_sftena Enable power down PD_CRYPTO by software. 1'b0: Disable 1'b1: Enable
13	RW	0x0	pd_sdmmc_dwn_sftena Enable power down PD_SDMMC by software. 1'b0: Disable 1'b1: Enable
12	RW	0x0	pd_secure_dwn_sftena Enable power down PD_SECURE by software. 1'b0: Disable 1'b1: Enable
11	RW	0x0	pd_usb_dwn_sftena Enable power down PD_USB by software. 1'b0: Disable 1'b1: Enable
10	RW	0x0	pd_sdio_dwn_sftena Enable power down PD_SDIO by software. 1'b0: Disable 1'b1: Enable
9	RW	0x0	pd_nvme0_dwn_sftena Enable power down PD_NVME0 by software. 1'b0: Disable 1'b1: Enable

Bit	Attr	Reset Value	Description
8	RW	0x0	pd_nvmm_dwn_sftena Enable power down PD_NVM by software. 1'b0: Disable 1'b1: Enable
7	RW	0x1	pd_pcie_dwn_sftena Enable power down PD_PCIE by software. 1'b0: Disable 1'b1: Enable
6	RW	0x1	pd_gmac_dwn_sftena Enable power down PD_GMAC by software. 1'b0: Disable 1'b1: Enable
5	RW	0x1	pd_php_dwn_sftena Enable power down PD_PHP by software. 1'b0: Disable 1'b1: Enable
4	RW	0x1	pd_audio_dwn_sftena Enable power down PD_AUDIO by software. 1'b0: Disable 1'b1: Enable
3	RW	0x1	pd_vo1_dwn_sftena Enable power down PD_VO1 by software. 1'b0: Disable 1'b1: Enable
2	RW	0x1	pd_vo0_dwn_sftena Enable power down PD_VO0 by software. 1'b0: Disable 1'b1: Enable
1	RW	0x1	pd_vop_dwn_sftena Enable power down PD_VOP by software. 1'b0: Disable 1'b1: Enable
0	RW	0x1	pd_rga31_dwn_sftena Enable power down PD_RGA31 by software. 1'b0: Disable 1'b1: Enable

**PMU PWR\_GATE\_SFTCON2**

Address: Operational Base + offset (0x8154)

Bit	Attr	Reset Value	Description
31:16	WO	0x0000	write_enable Write enable for lower 16 bits, each bit is individual. 1'b0: Write access disable 1'b1: Write access enable
15:2	RO	0x0000	reserved
1	RW	0x0	pd_ddr23_dwn_sftena Enable power down VD_DDR23 by software. 1'b0: Disable 1'b1: Enable
0	RW	0x0	pd_ddr01_dwn_sftena Enable power down VD_DDR01 by software. 1'b0: Disable 1'b1: Enable

**PMU\_VOL\_GATE\_CON0**

**RK3588 TRM-Part1**

Address: Operational Base + offset (0x8158)

Bit	Attr	Reset Value	Description
31:16	WO	0x0000	write_enable Write enable for lower 16 bits, each bit is individual. 1'b0: Write access disable 1'b1: Write access enable
15:3	RO	0x0000	reserved
2	RW	0x0	vd_vcodec_off_ena Enable power off VD_VCODEC. 1'b0: Disable 1'b1: Enable
1	RW	0x0	vd_npu_off_ena Enable power off VD_NPU. 1'b0: Disable 1'b1: Enable
0	RW	0x0	vd_gpu_off_ena Enable power off VD_GPU. 1'b0: Disable 1'b1: Enable

**PMU VOL GATE CON1**

Address: Operational Base + offset (0x8160)

Bit	Attr	Reset Value	Description
31:16	WO	0x0000	write_enable Write enable for lower 16 bits, each bit is individual. 1'b0: Write access disable 1'b1: Write access enable
15:2	RO	0x0000	reserved
1	RW	0x0	vd_ddr23_off_ena Enable power off VD_DDR23. 1'b0: Disable 1'b1: Enable
0	RW	0x0	vd_ddr01_off_ena Enable power off VD_DDR01. 1'b0: Disable 1'b1: Enable

**PMU PWR CHAIN PWRUP CON0**

Address: Operational Base + offset (0x8164)

Bit	Attr	Reset Value	Description
31:16	WO	0x0000	write_enable Write enable for lower 16 bits, each bit is individual. 1'b0: Write access disable 1'b1: Write access enable
15	RW	0x1	pd_isp1_pwrup_stable_ena Enable stable counter between power chains for PD_ISP1 power up flow. 1'b0: Disable 1'b1: Enable
14	RW	0x1	pd_fec_pwrup_stable_ena Enable stable counter between power chains for PD_FEC power up flow. 1'b0: Disable 1'b1: Enable

Bit	Attr	Reset Value	Description
13	RW	0x1	pd_vi_pwrup_stable_ena Enable stable counter between power chains for PD_VI power up flow. 1'b0: Disable 1'b1: Enable
12	RW	0x1	pd_av1_pwrup_stable_ena Enable stable counter between power chains for PD_AV1 power up flow. 1'b0: Disable 1'b1: Enable
11	RW	0x1	pd_rga30_pwrup_stable_ena Enable stable counter between power chains for PD_RGA30 power up flow. 1'b0: Disable 1'b1: Enable
10	RW	0x1	pd_vdpu_pwrup_stable_ena Enable stable counter between power chains for PD_VDPU power up flow. 1'b0: Disable 1'b1: Enable
9	RW	0x1	pd_rkvdec1_pwrup_stable_ena Enable stable counter between power chains for PD_RKVDEC1 power up flow. 1'b0: Disable 1'b1: Enable
8	RW	0x1	pd_rkvdec0_pwrup_stable_ena Enable stable counter between power chains for PD_RKVDEC0 power up flow. 1'b0: Disable 1'b1: Enable
7	RW	0x1	pd_venc1_pwrup_stable_ena Enable stable counter between power chains for PD_VENC1 power up flow. 1'b0: Disable 1'b1: Enable
6	RW	0x1	pd_venc0_pwrup_stable_ena Enable stable counter between power chains for PD_VENC0 power up flow. 1'b0: Disable 1'b1: Enable
5	RW	0x1	pd_npu2_pwrup_stable_ena Enable stable counter between power chains for PD_NPU2 power up flow. 1'b0: Disable 1'b1: Enable
4	RW	0x1	pd_npu1_pwrup_stable_ena Enable stable counter between power chains for PD_NPU1 power up flow. 1'b0: Disable 1'b1: Enable
3	RW	0x1	pd_nputop_pwrup_stable_ena Enable stable counter between power chains for PD_NPUTOP power up flow. 1'b0: Disable 1'b1: Enable

Bit	Attr	Reset Value	Description
2:0	RO	0x0	reserved

**PMU PWR CHAIN PWRUP CON1**

Address: Operational Base + offset (0x8168)

Bit	Attr	Reset Value	Description
31:16	WO	0x0000	write_enable Write enable for lower 16 bits, each bit is individual. 1'b0: Write access disable 1'b1: Write access enable
15	RW	0x1	pd_center_pwrup_stable_ena Enable stable counter between power chains for PD_CENTER power up flow. 1'b0: Disable 1'b1: Enable
14	RW	0x1	pd_crypto_pwrup_stable_ena Enable stable counter between power chains for PD_CRYPTOPower up flow. 1'b0: Disable 1'b1: Enable
13	RW	0x1	pd_sdmmc_pwrup_stable_ena Enable stable counter between power chains for PD_SDMMC power up flow. 1'b0: Disable 1'b1: Enable
12	RW	0x1	pd_secure_pwrup_stable_ena Enable stable counter between power chains for PD_SECURE power up flow. 1'b0: Disable 1'b1: Enable
11	RW	0x1	pd_usb_pwrup_stable_ena Enable stable counter between power chains for PD_USB power up flow. 1'b0: Disable 1'b1: Enable
10	RW	0x1	pd_sdio_pwrup_stable_ena Enable stable counter between power chains for PD_SDIO power up flow. 1'b0: Disable 1'b1: Enable
9	RW	0x1	pd_nvm0_pwrup_stable_ena Enable stable counter between power chains for PD_NVM0 power up flow. 1'b0: Disable 1'b1: Enable
8	RW	0x1	pd_nvm_pwrup_stable_ena Enable stable counter between power chains for PD_NVM power up flow. 1'b0: Disable 1'b1: Enable
7	RW	0x1	pd_pcie_pwrup_stable_ena Enable stable counter between power chains for PD_PCIE power up flow. 1'b0: Disable 1'b1: Enable

Bit	Attr	Reset Value	Description
6	RW	0x1	pd_gmac_pwrup_stable_ena Enable stable counter between power chains for PD_GMAC power up flow. 1'b0: Disable 1'b1: Enable
5	RW	0x1	pd_php_pwrup_stable_ena Enable stable counter between power chains for PD_PHP power up flow. 1'b0: Disable 1'b1: Enable
4	RW	0x1	pd_audio_pwrup_stable_ena Enable stable counter between power chains for PD_AUDIO power up flow. 1'b0: Disable 1'b1: Enable
3	RW	0x1	pd_vo1_pwrup_stable_ena Enable stable counter between power chains for PD_VO1 power up flow. 1'b0: Disable 1'b1: Enable
2	RW	0x1	pd_vo0_pwrup_stable_ena Enable stable counter between power chains for PD_VO0 power up flow. 1'b0: Disable 1'b1: Enable
1	RW	0x1	pd_vop_pwrup_stable_ena Enable stable counter between power chains for PD_VOP power up flow. 1'b0: Disable 1'b1: Enable
0	RW	0x1	pd_rga31_pwrup_stable_ena Enable stable counter between power chains for PD_RGA31 power up flow. 1'b0: Disable 1'b1: Enable

**PMU PWR CHAIN PWRDN CON0**

Address: Operational Base + offset (0x8170)

Bit	Attr	Reset Value	Description
31:16	WO	0x0000	write_enable Write enable for lower 16 bits, each bit is individual. 1'b0: Write access disable 1'b1: Write access enable
15	RW	0x0	pd_isp1_pwrdown_stable_ena Enable stable counter between power chains for PD_ISP1 power down flow. 1'b0: Disable 1'b1: Enable
14	RW	0x0	pd_fec_pwrdown_stable_ena Enable stable counter between power chains for PD_FEC power down flow. 1'b0: Disable 1'b1: Enable

Bit	Attr	Reset Value	Description
13	RW	0x0	pd_vi_pwrtn_stable_ena Enable stable counter between power chains for PD_VI power down flow. 1'b0: Disable 1'b1: Enable
12	RW	0x0	pd_av1_pwrtn_stable_ena Enable stable counter between power chains for PD_AV1 power down flow. 1'b0: Disable 1'b1: Enable
11	RW	0x0	pd_rga30_pwrtn_stable_ena Enable stable counter between power chains for PD_RGA30 power down flow. 1'b0: Disable 1'b1: Enable
10	RW	0x0	pd_vdpu_pwrtn_stable_ena Enable stable counter between power chains for PD_VDPU power down flow. 1'b0: Disable 1'b1: Enable
9	RW	0x0	pd_rkvdec1_pwrtn_stable_ena Enable stable counter between power chains for PD_RKVDEC1 power down flow. 1'b0: Disable 1'b1: Enable
8	RW	0x0	pd_rkvdec0_pwrtn_stable_ena Enable stable counter between power chains for PD_RKVDEC0 power down flow. 1'b0: Disable 1'b1: Enable
7	RW	0x0	pd_venc1_pwrtn_stable_ena Enable stable counter between power chains for PD_VENC1 power down flow. 1'b0: Disable 1'b1: Enable
6	RW	0x0	pd_venc0_pwrtn_stable_ena Enable stable counter between power chains for PD_VENC0 power down flow. 1'b0: Disable 1'b1: Enable
5	RW	0x0	pd_npu2_pwrtn_stable_ena Enable stable counter between power chains for PD_NPU2 power down flow. 1'b0: Disable 1'b1: Enable
4	RW	0x0	pd_npu1_pwrtn_stable_ena Enable stable counter between power chains for PD_NPU1 power down flow. 1'b0: Disable 1'b1: Enable
3	RW	0x0	pd_nputop_pwrtn_stable_ena Enable stable counter between power chains for PD_NPUTOP power down flow. 1'b0: Disable 1'b1: Enable



Bit	Attr	Reset Value	Description
2:0	RO	0x0	reserved

**PMU PWR CHAIN PWRDN CON1**

Address: Operational Base + offset (0x8174)

Bit	Attr	Reset Value	Description
31:16	WO	0x0000	write_enable Write enable for lower 16 bits, each bit is individual. 1'b0: Write access disable 1'b1: Write access enable
15	RW	0x0	pd_center_pwrdsn_stable_ena Enable stable counter between power chains for PD_CENTER power down flow. 1'b0: Disable 1'b1: Enable
14	RW	0x0	pd_crypto_pwrdsn_stable_ena Enable stable counter between power chains for PD_CRYPTOPower down flow. 1'b0: Disable 1'b1: Enable
13	RW	0x0	pd_sdmmc_pwrdsn_stable_ena Enable stable counter between power chains for PD_SDMMC power down flow. 1'b0: Disable 1'b1: Enable
12	RW	0x0	pd_secure_pwrdsn_stable_ena Enable stable counter between power chains for PD_SECURE power down flow. 1'b0: Disable 1'b1: Enable
11	RW	0x0	pd_usb_pwrdsn_stable_ena Enable stable counter between power chains for PD_USB power down flow. 1'b0: Disable 1'b1: Enable
10	RW	0x0	pd_sdio_pwrdsn_stable_ena Enable stable counter between power chains for PD_SDIO power down flow. 1'b0: Disable 1'b1: Enable
9	RW	0x0	pd_nvm0_pwrdsn_stable_ena Enable stable counter between power chains for PD_NVM0 power down flow. 1'b0: Disable 1'b1: Enable
8	RW	0x0	pd_nvm_pwrdsn_stable_ena Enable stable counter between power chains for PD_NVM power down flow. 1'b0: Disable 1'b1: Enable
7	RW	0x0	pd_pcie_pwrdsn_stable_ena Enable stable counter between power chains for PD_PCIE power down flow. 1'b0: Disable 1'b1: Enable

Bit	Attr	Reset Value	Description
6	RW	0x0	pd_gmac_pwrdsn_stable_ena Enable stable counter between power chains for PD_GMAC power down flow. 1'b0: Disable 1'b1: Enable
5	RW	0x0	pd_php_pwrdsn_stable_ena Enable stable counter between power chains for PD_PHP power down flow. 1'b0: Disable 1'b1: Enable
4	RW	0x0	pd_audio_pwrdsn_stable_ena Enable stable counter between power chains for PD_AUDIO power down flow. 1'b0: Disable 1'b1: Enable
3	RW	0x0	pd_vo1_pwrdsn_stable_ena Enable stable counter between power chains for PD_VO1 power down flow. 1'b0: Disable 1'b1: Enable
2	RW	0x0	pd_vo0_pwrdsn_stable_ena Enable stable counter between power chains for PD_VO0 power down flow. 1'b0: Disable 1'b1: Enable
1	RW	0x0	pd_vop_pwrdsn_stable_ena Enable stable counter between power chains for PD_VOP power down flow. 1'b0: Disable 1'b1: Enable
0	RW	0x0	pd_rga31_pwrdsn_stable_ena Enable stable counter between power chains for PD_RGA31 power down flow. 1'b0: Disable 1'b1: Enable

**PMU PWR STABLE CNT**

Address: Operational Base + offset (0x817C)

Bit	Attr	Reset Value	Description
31:21	RO	0x000	reserved
20:16	RW	0x1f	pwrdsn_stable_cnt Count for power chain power down stability. Number of clk_pmu used by counter logic.
15:5	RO	0x000	reserved
4:0	RW	0x1f	pwrup_stable_cnt Count for power chain power up stability. Number of clk_pmu used by counter logic.

**PMU PWR GATE STS0**

Address: Operational Base + offset (0x8180)

Bit	Attr	Reset Value	Description
31	RO	0x0	pd_center_dwn_stat The power state of PD_CENTER. 1'b0: Power up 1'b1: Power down

Bit	Attr	Reset Value	Description
30	RO	0x0	pd_crypto_dwn_stat The power state of PD_CRYPT0. 1'b0: Power up 1'b1: Power down
29	RO	0x0	pd_sdmmc_dwn_stat The power state of PD_SDMMC. 1'b0: Power up 1'b1: Power down
28	RO	0x0	pd_secure_dwn_stat The power state of PD_SECURE. 1'b0: Power up 1'b1: Power down
27	RO	0x0	pd_usb_dwn_stat The power state of PD_USB. 1'b0: Power up 1'b1: Power down
26	RO	0x0	pd_sdio_dwn_stat The power state of PD_SDIO. 1'b0: Power up 1'b1: Power down
25	RO	0x0	pd_nvm0_dwn_stat The power state of PD_NVM0. 1'b0: Power up 1'b1: Power down
24	RO	0x0	pd_nvm_dwn_stat The power state of PD_NVM. 1'b0: Power up 1'b1: Power down
23	RO	0x1	pd_pcie_dwn_stat The power state of PD_PCIE. 1'b0: Power up 1'b1: Power down
22	RO	0x1	pd_gmac_dwn_stat The power state of PD_GMAC. 1'b0: Power up 1'b1: Power down
21	RO	0x1	pd_php_dwn_stat The power state of PD_PHP. 1'b0: Power up 1'b1: Power down
20	RO	0x1	pd_audio_dwn_stat The power state of PD_AUDIO. 1'b0: Power up 1'b1: Power down
19	RO	0x1	pd_vo1_dwn_stat The power state of PD_VO1. 1'b0: Power up 1'b1: Power down
18	RO	0x1	pd_vo0_dwn_stat The power state of PD_VO0. 1'b0: Power up 1'b1: Power down

Bit	Attr	Reset Value	Description
17	RO	0x1	pd_vop_dwn_stat The power state of PD_VOP. 1'b0: Power up 1'b1: Power down
16	RO	0x1	pd_rga31_dwn_stat The power state of PD_RGA31. 1'b0: Power up 1'b1: Power down
15	RO	0x1	pd_isp1_dwn_stat The power state of PD_ISP1. 1'b0: Power up 1'b1: Power down
14	RO	0x1	pd_fec_dwn_stat The power state of PD_FEC. 1'b0: Power up 1'b1: Power down
13	RO	0x1	pd_vi_dwn_stat The power state of PD_VI. 1'b0: Power up 1'b1: Power down
12	RO	0x1	pd_av1_dwn_stat The power state of PD_AV1. 1'b0: Power up 1'b1: Power down
11	RO	0x1	pd_rga30_dwn_stat The power state of PD_RGA30. 1'b0: Power up 1'b1: Power down
10	RO	0x1	pd_vdpu_dwn_stat The power state of PD_VDPU. 1'b0: Power up 1'b1: Power down
9	RO	0x1	pd_rkvdec1_dwn_stat The power state of PD_RKVDEC1. 1'b0: Power up 1'b1: Power down
8	RO	0x1	pd_rkvdec0_dwn_stat The power state of PD_RKVDEC0. 1'b0: Power up 1'b1: Power down
7	RO	0x1	pd_venc1_dwn_stat The power state of PD_VENC1. 1'b0: Power up 1'b1: Power down
6	RO	0x1	pd_venc0_dwn_stat The power state of PD_VENC0. 1'b0: Power up 1'b1: Power down
5	RO	0x1	pd_npu2_dwn_stat The power state of PD_NPU2. 1'b0: Power up 1'b1: Power down

Bit	Attr	Reset Value	Description
4	RO	0x1	pd_npu1_dwn_stat The power state of PD_NPU1. 1'b0: Power up 1'b1: Power down
3	RO	0x1	pd_nputop_dwn_stat The power state of PD_NPUTOP. 1'b0: Power up 1'b1: Power down
2	RO	0x0	pd_vcodec_dwn_stat The power state of VD_VCODEC. 1'b0: Power up 1'b1: Power down
1	RO	0x0	pd_npu_dwn_stat The power state of VD_NPU. 1'b0: Power up 1'b1: Power down
0	RO	0x1	pd_gpu_dwn_stat The power state of VD_GPU. 1'b0: Power up 1'b1: Power down

**PMU PWR GATE STS1**

Address: Operational Base + offset (0x8184)

Bit	Attr	Reset Value	Description
31:2	RO	0x00000000	reserved
1	RO	0x0	pd_ddr23_dwn_stat The power state of VD_DDR23. 1'b0: Power up 1'b1: Power down
0	RO	0x0	pd_ddr01_dwn_stat The power state of VD_DDR01. 1'b0: Power up 1'b1: Power down

**PMU PWR GATE POWER STS**

Address: Operational Base + offset (0x8188)

Bit	Attr	Reset Value	Description
31:3	RO	0x00000000	reserved
2:0	RO	0x0	power_gate_state Power gating state. 3'h0: Normal state 3'h1: Power down start state 3'h2: Power down running state 3'h3: Wait for power up state 3'h4: Power up start state 3'h5: Power up running state Others: Reserved

**PMU VOL GATE FAST CON**

Address: Operational Base + offset (0x818C)

Bit	Attr	Reset Value	Description
31:16	WO	0x0000	write_enable Write enable for lower 16 bits, each bit is individual. 1'b0: Write access disable 1'b1: Write access enable

Bit	Attr	Reset Value	Description
15:2	RO	0x0000	reserved
1	RW	0x0	<p>vd_npu_fast_ena Enable VD_NPU fast power control. When asserted, it means that VD_NPU will power up completely if VD_NPU power up count from npu_pwrup_cnt (defined in PMU_NPU_PWRUP_CNT) to zero when VD_NPU power up request active, or VD_NPU will power down completely if VD_NPU power down count from npu_pwrdown_cnt (defined in PMU_NPU_PWRDN_CNT) to zero when VD_NPU power down request active. Otherwise, it means that VD_NPU will power up completely as soon as VD_NPU power up request active, or power down completely as soon as VD_NPU power down request active. 1'b0: Disable 1'b1: Enable</p>
0	RW	0x0	<p>vd_gpu_fast_ena Enable VD_GPU fast power control. When asserted, it means that VD_GPU will power up completely if VD_GPU power up count from gpu_pwrup_cnt (defined in PMU_GPU_PWRUP_CNT) to zero when VD_GPU power up request active, or VD_GPU will power down completely if VD_GPU power down count from gpu_pwrdown_cnt (defined in PMU_GPU_PWRDN_CNT) to zero when VD_GPU power down request active. Otherwise, it means that VD_GPU will power up completely as soon as VD_GPU power up request active, or power down completely as soon as VD_GPU power down request active. 1'b0: Disable 1'b1: Enable</p>

**PMU GPU PWRUP CNT**

Address: Operational Base + offset (0x8190)

Bit	Attr	Reset Value	Description
31:20	RO	0x000	reserved
19:0	RW	0xffff	<p>gpu_pwrup_cnt VD_GPU power up count. Number of clk_pmu used by counter logic.</p>

**PMU GPU PWRDN CNT**

Address: Operational Base + offset (0x8194)

Bit	Attr	Reset Value	Description
31:20	RO	0x000	reserved
19:0	RW	0xffff	<p>gpu_pwrdown_cnt VD_GPU power down count. Number of clk_pmu used by counter logic.</p>

**PMU NPU PWRUP CNT**

Address: Operational Base + offset (0x8198)

Bit	Attr	Reset Value	Description
31:20	RO	0x000	reserved
19:0	RW	0xffff	<p>npu_pwrup_cnt VD_NPU power up count. Number of clk_pmu used by counter logic.</p>

**PMU NPU PWRDN CNT**

**RK3588 TRM-Part1**

Address: Operational Base + offset (0x819C)

Bit	Attr	Reset Value	Description
31:20	RO	0x000	reserved
19:0	RW	0xffff	npu_pwrdn_cnt VD_NPU power down count. Number of clk_pmu used by counter logic.

**PMU MEM PWR GATE SFTCON0**

Address: Operational Base + offset (0x81A0)

Bit	Attr	Reset Value	Description
31:16	WO	0x0000	write_enable Write enable for lower 16 bits, each bit is individual. 1'b0: Write access disable 1'b1: Write access enable
15	RW	0x0	pd_isp1_mem_dwn_sftena Enable power down PD_ISP1's memory by software. 1'b0: Disable 1'b1: Enable
14	RW	0x0	pd_fec_mem_dwn_sftena Enable power down PD_FEC's memory by software. 1'b0: Disable 1'b1: Enable
13	RW	0x0	pd_vi_mem_dwn_sftena Enable power down PD_VI's memory by software. 1'b0: Disable 1'b1: Enable
12	RW	0x0	pd_av1_mem_dwn_sftena Enable power down PD_AV1's memory by software. 1'b0: Disable 1'b1: Enable
11	RW	0x0	pd_rga30_mem_dwn_sftena Enable power down PD_RGA30's memory by software. 1'b0: Disable 1'b1: Enable
10	RO	0x0	reserved
9	RW	0x0	pd_rkvdec1_mem_dwn_sftena Enable power down PD_RKVDEC1's memory by software. 1'b0: Disable 1'b1: Enable
8	RW	0x0	pd_rkvdec0_mem_dwn_sftena Enable power down PD_RKVDEC0's memory by software. 1'b0: Disable 1'b1: Enable
7	RW	0x0	pd_venc1_mem_dwn_sftena Enable power down PD_VENC1's memory by software. 1'b0: Disable 1'b1: Enable
6	RW	0x0	pd_venc0_mem_dwn_sftena Enable power down PD_VENC0's memory by software. 1'b0: Disable 1'b1: Enable
5	RW	0x0	pd_npu2_mem_dwn_sftena Enable power down PD_NPU2's memory by software. 1'b0: Disable 1'b1: Enable

Bit	Attr	Reset Value	Description
4	RW	0x0	pd_npu1_mem_dwn_sftena Enable power down PD_NPU1's memory by software. 1'b0: Disable 1'b1: Enable
3	RW	0x0	pd_nputop_mem_dwn_sftena Enable power down PD_NPUTOP's memory by software. 1'b0: Disable 1'b1: Enable
2:0	RO	0x0	reserved

**PMU MEM PWR GATE SFTCON1**

Address: Operational Base + offset (0x81A4)

Bit	Attr	Reset Value	Description
31:16	WO	0x0000	write_enable Write enable for lower 16 bits, each bit is individual. 1'b0: Write access disable 1'b1: Write access enable
15	RW	0x0	pd_center_mem_dwn_sftena Enable power down PD_CENTER's memory by software. 1'b0: Disable 1'b1: Enable
14	RW	0x0	pd_crypto_mem_dwn_sftena Enable power down PD_CRYPTO's memory by software. 1'b0: Disable 1'b1: Enable
13	RW	0x0	pd_sdmmc_mem_dwn_sftena Enable power down PD_SDMMC's memory by software. 1'b0: Disable 1'b1: Enable
12	RO	0x0	reserved
11	RW	0x0	pd_usb_mem_dwn_sftena Enable power down PD_USB's memory by software. 1'b0: Disable 1'b1: Enable
10	RW	0x0	pd_sdio_mem_dwn_sftena Enable power down PD_SDIO's memory by software. 1'b0: Disable 1'b1: Enable
9	RW	0x0	pd_nvm0_mem_dwn_sftena Enable power down PD_NVM0's memory by software. 1'b0: Disable 1'b1: Enable
8	RO	0x0	reserved
7	RW	0x0	pd_pcie_mem_dwn_sftena Enable power down PD_PCIE's memory by software. 1'b0: Disable 1'b1: Enable
6	RW	0x0	pd_gmac_mem_dwn_sftena Enable power down PD_GMAC's memory by software. 1'b0: Disable 1'b1: Enable
5	RW	0x0	pd_php_mem_dwn_sftena Enable power down PD_PHP's memory by software. 1'b0: Disable 1'b1: Enable



Bit	Attr	Reset Value	Description
4	RW	0x0	pd_audio_mem_dwn_sftena Enable power down PD_AUDIO's memory by software. 1'b0: Disable 1'b1: Enable
3	RW	0x0	pd_vo1_mem_dwn_sftena Enable power down PD_VO1's memory by software. 1'b0: Disable 1'b1: Enable
2	RW	0x0	pd_vo0_mem_dwn_sftena Enable power down PD_VOO's memory by software. 1'b0: Disable 1'b1: Enable
1	RW	0x0	pd_vop_mem_dwn_sftena Enable power down PD_VOP's memory by software. 1'b0: Disable 1'b1: Enable
0	RW	0x0	pd_rga31_mem_dwn_sftena Enable power down PD_RGA31's memory by software. 1'b0: Disable 1'b1: Enable

**PMU MEM PWR GATE SFTCON2**

Address: Operational Base + offset (0x81A8)

Bit	Attr	Reset Value	Description
31:16	WO	0x0000	write_enable Write enable for lower 16 bits, each bit is individual. 1'b0: Write access disable 1'b1: Write access enable
15:2	RO	0x0000	reserved
1	RW	0x0	pd_ddr23_mem_dwn_sftena Enable power down VD_DDR23's memory by software. 1'b0: Disable 1'b1: Enable
0	RW	0x0	pd_ddr01_mem_dwn_sftena Enable power down VD_DDR01's memory by software. 1'b0: Disable 1'b1: Enable

**PMU SUBMEM PWR GATE SFTCON0**

Address: Operational Base + offset (0x81B0)

Bit	Attr	Reset Value	Description
31:16	WO	0x0000	write_enable Write enable for lower 16 bits, each bit is individual. 1'b0: Write access disable 1'b1: Write access enable
15	RW	0x0	shrm_blk3_ds_ctrl Control share memory block 3 deep sleep mode by software. 1'b0: Invalid 1'b1: Valid
14	RW	0x0	shrm_blk2_ds_ctrl Control share memory block 2 deep sleep mode by software. 1'b0: Invalid 1'b1: Valid

Bit	Attr	Reset Value	Description
13	RW	0x0	shrm_blk1_ds_ctrl Control share memory block 1 deep sleep mode by software. 1'b0: Invalid 1'b1: Valid
12	RW	0x0	shrm_blk0_ds_ctrl Control share memory block 0 deep sleep mode by software. 1'b0: Invalid 1'b1: Valid
11	RW	0x0	shrm_blk3_sd_ctrl Control share memory block 3 shutdown mode by software. 1'b0: Invalid 1'b1: Valid
10	RW	0x0	shrm_blk2_sd_ctrl Control share memory block 2 shutdown mode by software. 1'b0: Invalid 1'b1: Valid
9	RW	0x0	shrm_blk1_sd_ctrl Control share memory block 1 shutdown mode by software. 1'b0: Invalid 1'b1: Valid
8	RW	0x0	shrm_blk0_sd_ctrl Control share memory block 0 shutdown mode by software. 1'b0: Invalid 1'b1: Valid
7	RW	0x0	shrm_blk3_ds_ena Enable share memory block 3 deep sleep mode by software. 1'b0: Disable 1'b1: Enable It should be set to 1 before shrm_blk3_ds_ctrl set to 1, and set to 0 after shrm_blk3_ds_ctrl set to 0.
6	RW	0x0	shrm_blk2_ds_ena Enable share memory block 2 deep sleep mode by software. 1'b0: Disable 1'b1: Enable It should be set to 1 before shrm_blk2_ds_ctrl set to 1, and set to 0 after shrm_blk2_ds_ctrl set to 0.
5	RW	0x0	shrm_blk1_ds_ena Enable share memory block 1 deep sleep mode by software. 1'b0: Disable 1'b1: Enable It should be set to 1 before shrm_blk1_ds_ctrl set to 1, and set to 0 after shrm_blk1_ds_ctrl set to 0.
4	RW	0x0	shrm_blk0_ds_ena Enable share memory block 0 deep sleep mode by software. 1'b0: Disable 1'b1: Enable It should be set to 1 before shrm_blk0_ds_ctrl set to 1, and set to 0 after shrm_blk0_ds_ctrl set to 0.
3	RW	0x0	shrm_blk3_sd_ena Enable share memory block 3 shutdown mode by software. 1'b0: Disable 1'b1: Enable It should be set to 1 before shrm_blk3_sd_ctrl set to 1, and set to 0 after shrm_blk3_sd_ctrl set to 0.

Bit	Attr	Reset Value	Description
2	RW	0x0	shrm_blk2_sd_ena Enable share memory block 2 shutdown mode by software. 1'b0: Disable 1'b1: Enable It should be set to 1 before shrm_blk2_sd_ctrl set to 1, and set to 0 after shrm_blk2_sd_ctrl set to 0.
1	RW	0x0	shrm_blk1_sd_ena Enable share memory block 1 shutdown mode by software. 1'b0: Disable 1'b1: Enable It should be set to 1 before shrm_blk1_sd_ctrl set to 1, and set to 0 after shrm_blk1_sd_ctrl set to 0.
0	RW	0x0	shrm_blk0_sd_ena Enable share memory block 0 shutdown mode by software. 1'b0: Disable 1'b1: Enable It should be set to 1 before shrm_blk0_sd_ctrl set to 1, and set to 0 after shrm_blk0_sd_ctrl set to 0.

**PMU SUBMEM PWR GATE SFTCON1**

Address: Operational Base + offset (0x81B4)

Bit	Attr	Reset Value	Description
31:16	WO	0x0000	write_enable Write enable for lower 16 bits, each bit is individual. 1'b0: Write access disable 1'b1: Write access enable
15	RW	0x0	vopost0_mem_dwn_sftena Enable shutdown VOPPOST0 memory by software. 1'b0: Disable 1'b1: Enable
14	RW	0x0	jpegec3_mem_dwn_sftena Enable shutdown JPEGENC3 memory by software. 1'b0: Disable 1'b1: Enable
13	RW	0x0	jpegec2_mem_dwn_sftena Enable shutdown JPEGENC2 memory by software. 1'b0: Disable 1'b1: Enable
12	RW	0x0	jpegec1_mem_dwn_sftena Enable shutdown JPEGENC1 memory by software. 1'b0: Disable 1'b1: Enable
11	RW	0x0	jpegec0_mem_dwn_sftena Enable shutdown JPEGENC0 memory by software. 1'b0: Disable 1'b1: Enable
10	RW	0x0	jpegdec_mem_dwn_sftena Enable shutdown JPEGDEC memory by software. 1'b0: Disable 1'b1: Enable
9	RW	0x0	iep_mem_dwn_sftena Enable shutdown IEP memory by software. 1'b0: Disable 1'b1: Enable

Bit	Attr	Reset Value	Description
8	RW	0x0	rga2_mem_dwn_sftena Enable shutdown RGA2 memory by software. 1'b0: Disable 1'b1: Enable
7	RW	0x0	vdpu_mem_dwn_sftena Enable shutdown VDPU memory by software. 1'b0: Disable 1'b1: Enable
6	RW	0x0	usb3_mem_dwn_sftena Enable shutdown USB3OTG_2 memory by software. 1'b0: Disable 1'b1: Enable
5	RW	0x0	sata_mem_dwn_sftena Enable shutdown SATA_0/1/2 memory by software. 1'b0: Disable 1'b1: Enable
4	RW	0x0	phpmmu_mem_dwn_sftena Enable shutdown PHPMMU memory by software. 1'b0: Disable 1'b1: Enable
3	RW	0x0	pciemmu_mem_dwn_sftena Enable shutdown PCIEMMU memory by software. 1'b0: Disable 1'b1: Enable
2	RW	0x0	pcie1l2_mem_dwn_sftena Enable shutdown PCIE3_1L2 memory by software. 1'b0: Disable 1'b1: Enable
1	RW	0x0	pcie1l1_mem_dwn_sftena Enable shutdown PCIE3_1L1 memory by software. 1'b0: Disable 1'b1: Enable
0	RW	0x0	pcie1l0_mem_dwn_sftena Enable shutdown PCIE3_1L0 memory by software. 1'b0: Disable 1'b1: Enable

**PMU SUBMEM PWR\_GATE\_SFTCON2**

Address: Operational Base + offset (0x81B8)

Bit	Attr	Reset Value	Description
31:16	WO	0x0000	write_enable Write enable for lower 16 bits, each bit is individual. 1'b0: Write access disable 1'b1: Write access enable
15:9	RO	0x00	reserved
8	RW	0x0	dsihost1_mem_dwn_sftena Enable shutdown DSIHOST1 memory by software. 1'b0: Disable 1'b1: Enable
7	RW	0x0	dsihost0_mem_dwn_sftena Enable shutdown DSIHOST0 memory by software. 1'b0: Disable 1'b1: Enable

Bit	Attr	Reset Value	Description
6	RW	0x0	vopwb_mem_dwn_sftena Enable shutdown VOPWB memory by software. 1'b0: Disable 1'b1: Enable
5	RW	0x0	vopdolby3_mem_dwn_sftena Enable shutdown VOPDOLBY3 memory by software. 1'b0: Disable 1'b1: Enable
4	RW	0x0	vopdolby2_mem_dwn_sftena Enable shutdown VOPDOLBY2 memory by software. 1'b0: Disable 1'b1: Enable
3	RW	0x0	vopdolby1_mem_dwn_sftena Enable shutdown VOPDOLBY1 memory by software. 1'b0: Disable 1'b1: Enable
2	RW	0x0	voppost3_mem_dwn_sftena Enable shutdown VOPPOST3 memory by software. 1'b0: Disable 1'b1: Enable
1	RW	0x0	voppost2_mem_dwn_sftena Enable shutdown VOPPOST2 memory by software. 1'b0: Disable 1'b1: Enable
0	RW	0x0	voppost1_mem_dwn_sftena Enable shutdown VOPPOST1 memory by software. 1'b0: Disable 1'b1: Enable

**PMU SUBMEM PWR GATE STS**

Address: Operational Base + offset (0x81BC)

Bit	Attr	Reset Value	Description
31:29	RO	0x0	reserved
28	RO	0x0	dsihost1_mem_dwn_stat DSIHOST1 memory power status. 1'b0: Power up 1'b1: Power down
27	RO	0x0	dsihost0_mem_dwn_stat DSIHOST0 memory power status. 1'b0: Power up 1'b1: Power down
26	RO	0x0	vopwb_mem_dwn_stat VOPWB memory power status. 1'b0: Power up 1'b1: Power down
25	RO	0x0	vopdolby3_mem_dwn_stat VOPDOLBY3 memory power status. 1'b0: Power up 1'b1: Power down
24	RO	0x0	vopdolby2_mem_dwn_stat VOPDOLBY2 memory power status. 1'b0: Power up 1'b1: Power down

Bit	Attr	Reset Value	Description
23	RO	0x0	vopdolby1_mem_dwn_stat VOPDOLBY1 memory power status. 1'b0: Power up 1'b1: Power down
22	RO	0x0	voppost3_mem_dwn_stat VOPPOST3 memory power status. 1'b0: Power up 1'b1: Power down
21	RO	0x0	voppost2_mem_dwn_stat VOPPOST2 memory power status. 1'b0: Power up 1'b1: Power down
20	RO	0x0	voppost1_mem_dwn_stat VOPPOST1 memory power status. 1'b0: Power up 1'b1: Power down
19	RO	0x0	voppost0_mem_dwn_stat VOPPOST0 memory power status. 1'b0: Power up 1'b1: Power down
18	RO	0x0	jpegenc3_mem_dwn_stat JPEGENC3 memory power status. 1'b0: Power up 1'b1: Power down
17	RO	0x0	jpegenc2_mem_dwn_stat JPEGENC2 memory power status. 1'b0: Power up 1'b1: Power down
16	RO	0x0	jpegenc1_mem_dwn_stat JPEGENC1 memory power status. 1'b0: Power up 1'b1: Power down
15	RO	0x0	jpegenc0_mem_dwn_stat JPEGENC0 memory power status. 1'b0: Power up 1'b1: Power down
14	RO	0x0	jpegdec_mem_dwn_stat JPEGDEC memory power status. 1'b0: Power up 1'b1: Power down
13	RO	0x0	iep_mem_dwn_stat IEP memory power status. 1'b0: Power up 1'b1: Power down
12	RO	0x0	rga2_mem_dwn_stat RGA2 memory power status. 1'b0: Power up 1'b1: Power down
11	RO	0x0	vdpu_mem_dwn_stat VDPU memory power status. 1'b0: Power up 1'b1: Power down

Bit	Attr	Reset Value	Description
10	RO	0x0	usb3_mem_dwn_stat USB3OTG_2 memory power status. 1'b0: Power up 1'b1: Power down
9	RO	0x0	sata_mem_dwn_stat SATA_0/1/2 memory power status. 1'b0: Power up 1'b1: Power down
8	RO	0x0	phpmmu_mem_dwn_stat PHPMMU memory power status. 1'b0: Power up 1'b1: Power down
7	RO	0x0	pciemmu_mem_dwn_stat PCIEMMU memory power status. 1'b0: Power up 1'b1: Power down
6	RO	0x0	pcie1l2_mem_dwn_stat PCIE3_1L2 memory power status. 1'b0: Power up 1'b1: Power down
5	RO	0x0	pcie1l1_mem_dwn_stat PCIE3_1L1 memory power status. 1'b0: Power up 1'b1: Power down
4	RO	0x0	pcie1l0_mem_pwr_stat PCIE3_1L0 memory power status. 1'b0: Power up 1'b1: Power down
3	RO	0x0	shrm_blk3_pwr_stat Share memory block 3 power status. 1'b0: Power up 1'b1: Power down
2	RO	0x0	shrm_blk2_pwr_stat Share memory block 2 power status. 1'b0: Power up 1'b1: Power down
1	RO	0x0	shrm_blk1_pwr_stat Share memory block 1 power status. 1'b0: Power up 1'b1: Power down
0	RO	0x0	shrm_blk0_pwr_stat Share memory block 0 power status. 1'b0: Power up 1'b1: Power down

**PMU SUBMEM PWR ACK BYPASS CON0**

Address: Operational Base + offset (0x81C0)

Bit	Attr	Reset Value	Description
31:16	WO	0x0000	write_enable Write enable for lower 16 bits, each bit is individual. 1'b0: Write access disable 1'b1: Write access enable

Bit	Attr	Reset Value	Description
15	RW	0x0	voppost0_mem_pwr_ack_bypass_ena Enable bypass VOPPOST0 memory power up or power down acknowledge. If asserted, it does not need to wait for VOPPOST0 memory power up or power down acknowledge for PD_VOP power up or power down flow. 1'b0: Disable 1'b1: Enable
14	RW	0x0	jpegenc3_mem_pwr_ack_bypass_ena Enable bypass JPEGENC3 memory power up or power down acknowledge. If asserted, it does not need to wait for JPEGENC3 memory power up or power down acknowledge for PD_VDPU power up or power down flow. 1'b0: Disable 1'b1: Enable
13	RW	0x0	jpegenc2_mem_pwr_ack_bypass_ena Enable bypass JPEGENC2 memory power up or power down acknowledge. If asserted, it does not need to wait for JPEGENC2 memory power up or power down acknowledge for PD_VDPU power up or power down flow. 1'b0: Disable 1'b1: Enable
12	RW	0x0	jpegenc1_mem_pwr_ack_bypass_ena Enable bypass JPEGENC1 memory power up or power down acknowledge. If asserted, it does not need to wait for JPEGENC1 memory power up or power down acknowledge for PD_VDPU power up or power down flow. 1'b0: Disable 1'b1: Enable
11	RW	0x0	jpegenc0_mem_pwr_ack_bypass_ena Enable bypass JPEGENC0 memory power up or power down acknowledge. If asserted, it does not need to wait for JPEGENC0 memory power up or power down acknowledge for PD_VDPU power up or power down flow. 1'b0: Disable 1'b1: Enable
10	RW	0x0	jpegdec_mem_pwr_ack_bypass_ena Enable bypass JPEGDEC memory power up or power down acknowledge. If asserted, it does not need to wait for JPEGDEC memory power up or power down acknowledge for PD_VDPU power up or power down flow. 1'b0: Disable 1'b1: Enable
9	RW	0x0	iep_mem_pwr_ack_bypass_ena Enable bypass IEP memory power up or power down acknowledge. If asserted, it does not need to wait for IEP memory power up or power down acknowledge for PD_VDPU power up or power down flow. 1'b0: Disable 1'b1: Enable



Bit	Attr	Reset Value	Description
8	RW	0x0	rga2_mem_pwr_ack_bypass_ena Enable bypass RGA2 memory power up or power down acknowledge. If asserted, it does not need to wait for RGA2 memory power up or power down acknowledge for PD_VDPU power up or power down flow. 1'b0: Disable 1'b1: Enable
7	RW	0x0	vdpu_mem_pwr_ack_bypass_ena Enable bypass VDPU memory power up or power down acknowledge. If asserted, it does not need to wait for VDPU memory power up or power down acknowledge for PD_VDPU power up or power down flow. 1'b0: Disable 1'b1: Enable
6	RW	0x0	usb3_mem_pwr_ack_bypass_ena Enable bypass USB3OTG_2 memory power up or power down acknowledge. If asserted, it does not need to wait for USB3OTG_2 memory power up or power down acknowledge for PD_PHP power up or power down flow. 1'b0: Disable 1'b1: Enable
5	RW	0x0	sata_mem_pwr_ack_bypass_ena Enable bypass SATA_0/1/2 memory power up or power down acknowledge. If asserted, it does not need to wait for SATA_0/1/2 memory power up or power down acknowledge for PD_PHP power up or power down flow. 1'b0: Disable 1'b1: Enable
4	RW	0x0	phpmmu_mem_pwr_ack_bypass_ena Enable bypass PHPMMU memory power up or power down acknowledge. If asserted, it does not need to wait for PHPMMU memory power up or power down acknowledge for PD_PHP power up or power down flow. 1'b0: Disable 1'b1: Enable
3	RW	0x0	pciemmu_mem_pwr_ack_bypass_ena Enable bypass PCIEMMU memory power up or power down acknowledge. If asserted, it does not need to wait for PCIEMMU memory power up or power down acknowledge for PD_PHP power up or power down flow. 1'b0: Disable 1'b1: Enable
2	RW	0x0	pcie1l2_mem_pwr_ack_bypass_ena Enable bypass PCIE3_1L2 memory power up or power down acknowledge. If asserted, it does not need to wait for PCIE3_1L2 memory power up or power down acknowledge for PD_PHP power up or power down flow. 1'b0: Disable 1'b1: Enable

Bit	Attr	Reset Value	Description
1	RW	0x0	pcie1l1_mem_pwr_ack_bypass_ena Enable bypass PCIE3_1L1 memory power up or power down acknowledge. If asserted, it does not need to wait for PCIE3_1L1 memory power up or power down acknowledge for PD_PHP power up or power down flow. 1'b0: Disable 1'b1: Enable
0	RW	0x0	pcie1l0_mem_pwr_ack_bypass_ena Enable bypass PCIE3_1L0 memory power up or power down acknowledge. If asserted, it does not need to wait for PCIE3_1L0 memory power up or power down acknowledge for PD_PHP power up or power down flow. 1'b0: Disable 1'b1: Enable

**PMU SUBMEM PWR ACK BYPASS CON1**

Address: Operational Base + offset (0x81C4)

Bit	Attr	Reset Value	Description
31:16	WO	0x0000	write_enable Write enable for lower 16 bits, each bit is individual. 1'b0: Write access disable 1'b1: Write access enable
15:13	RO	0x0	reserved
12	RW	0x0	shrm_blk3_dwn_ack_bypass_ena Enable bypass share memory block3 memory power up or power down acknowledge. If asserted, it does not need to wait for share memory block3 memory power up or power down acknowledge for PD_CENTER power up or power down flow. 1'b0: Disable 1'b1: Enable
11	RW	0x0	shrm_blk2_dwn_ack_bypass_ena Enable bypass share memory block2 memory power up or power down acknowledge. If asserted, it does not need to wait for share memory block2 memory power up or power down acknowledge for PD_CENTER power up or power down flow. 1'b0: Disable 1'b1: Enable
10	RW	0x0	shrm_blk1_dwn_ack_bypass_ena Enable bypass share memory block1 memory power up or power down acknowledge. If asserted, it does not need to wait for share memory block1 memory power up or power down acknowledge for PD_CENTER power up or power down flow. 1'b0: Disable 1'b1: Enable
9	RW	0x0	shrm_blk0_dwn_ack_bypass_ena Enable bypass share memory block0 memory power up or power down acknowledge. If asserted, it does not need to wait for share memory block0 memory power up or power down acknowledge for PD_CENTER power up or power down flow. 1'b0: Disable 1'b1: Enable

Bit	Attr	Reset Value	Description
8	RW	0x0	dsihost1_mem_pwr_ack_bypass_ena Enable bypass DSIHOST1 memory power up or power down acknowledge. If asserted, it does not need to wait for DSIHOST1 memory power up or power down acknowledge for PD_VOP power up or power down flow. 1'b0: Disable 1'b1: Enable
7	RW	0x0	dsihost0_mem_pwr_ack_bypass_ena Enable bypass DSIHOST0 memory power up or power down acknowledge. If asserted, it does not need to wait for DSIHOST0 memory power up or power down acknowledge for PD_VOP power up or power down flow. 1'b0: Disable 1'b1: Enable
6	RW	0x0	vopwb_mem_pwr_ack_bypass_ena Enable bypass VOPWB memory power up or power down acknowledge. If asserted, it does not need to wait for VOPWB memory power up or power down acknowledge for PD_VOP power up or power down flow. 1'b0: Disable 1'b1: Enable
5	RW	0x0	vopdolby3_mem_pwr_ack_bypass_ena Enable bypass VOPDOLBY3 memory power up or power down acknowledge. If asserted, it does not need to wait for VOPDOLBY3 memory power up or power down acknowledge for PD_VOP power up or power down flow. 1'b0: Disable 1'b1: Enable
4	RW	0x0	vopdolby2_mem_pwr_ack_bypass_ena Enable bypass VOPDOLBY2 memory power up or power down acknowledge. If asserted, it does not need to wait for VOPDOLBY2 memory power up or power down acknowledge for PD_VOP power up or power down flow. 1'b0: Disable 1'b1: Enable
3	RW	0x0	vopdolby1_mem_pwr_ack_bypass_ena Enable bypass VOPDOLBY1 memory power up or power down acknowledge. If asserted, it does not need to wait for VOPDOLBY1 memory power up or power down acknowledge for PD_VOP power up or power down flow. 1'b0: Disable 1'b1: Enable
2	RW	0x0	voppost3_mem_pwr_ack_bypass_ena Enable bypass VOPPOST3 memory power up or power down acknowledge. If asserted, it does not need to wait for VOPPOST3 memory power up or power down acknowledge for PD_VOP power up or power down flow. 1'b0: Disable 1'b1: Enable

Bit	Attr	Reset Value	Description
1	RW	0x0	voppost2_mem_pwr_ack_bypass_ena Enable bypass VOPPOST2 memory power up or power down acknowledge. If asserted, it does not need to wait for VOPPOST2 memory power up or power down acknowledge for PD_VOP power up or power down flow. 1'b0: Disable 1'b1: Enable
0	RW	0x0	voppost1_dwn_ack_bypass_ena Enable bypass VOPPOST1 memory power up or power down acknowledge. If asserted, it does not need to wait for VOPPOST1 memory power up or power down acknowledge for PD_VOP power up or power down flow. 1'b0: Disable 1'b1: Enable

**PMU QCHANNEL PWR CON**

Address: Operational Base + offset (0x81D0)

Bit	Attr	Reset Value	Description
31:16	WO	0x0000	write_enable Write enable for lower 16 bits, each bit is individual. 1'b0: Write access disable 1'b1: Write access enable
15:7	RO	0x000	reserved
6	RW	0x0	busgic_its1_qch_ena Enable BUSGIC-ITS1 Q-Channel power control by hardware. 1'b0: Disable 1'b1: Enable
5	RW	0x0	busgic_its0_qch_ena Enable BUSGIC-ITS0 Q-Channel power control by hardware. 1'b0: Disable 1'b1: Enable
4	RW	0x0	phpgic_its_qch_ena Enable PHPGIC-ITS Q-Channel power control by hardware. 1'b0: Disable 1'b1: Enable
3	RW	0x0	pciemmu_tcu_qch_ena Enable PCIEMMU-TCU Q-Channel power control by hardware. 1'b0: Disable 1'b1: Enable
2	RW	0x0	pciemmu_tbu_qch_ena Enable PCIEMMU-TBU Q-Channel power control by hardware. 1'b0: Disable 1'b1: Enable
1	RW	0x0	phpmmu_tcu_qch_ena Enable PHPMMU-TCU Q-Channel power control by hardware. 1'b0: Disable 1'b1: Enable
0	RW	0x0	phpmmu_tbu_qch_ena Enable PHPMMU-TBU Q-Channel power control by hardware. 1'b0: Disable 1'b1: Enable

**PMU QCHANNEL PWR SFTCON**

Address: Operational Base + offset (0x81D4)

Bit	Attr	Reset Value	Description
31:16	WO	0x0000	write_enable Write enable for lower 16 bits, each bit is individual. 1'b0: Write access disable 1'b1: Write access enable
15:7	RO	0x000	reserved
6	RW	0x0	busgic_its1_qch_sftena Enable BUSGIC-ITS1 Q-Channel power control by software. 1'b0: Disable 1'b1: Enable
5	RW	0x0	busgic_its0_qch_sftena Enable BUSGIC-ITS0 Q-Channel power control by software. 1'b0: Disable 1'b1: Enable
4	RW	0x0	phpgic_its_qch_sftena Enable PHPGIC-ITS Q-Channel power control by software. 1'b0: Disable 1'b1: Enable
3	RW	0x0	pciemmu_tcu_qch_sftena Enable PCIEMMU-TCU Q-Channel power control by software. 1'b0: Disable 1'b1: Enable
2	RW	0x0	pciemmu_tbu_qch_sftena Enable PCIEMMU-TBU Q-Channel power control by software. 1'b0: Disable 1'b1: Enable
1	RW	0x0	phpmmu_tcu_qch_sftena Enable PHPMMU-TCU Q-Channel power control by software. 1'b0: Disable 1'b1: Enable
0	RW	0x0	phpmmu_tbu_qch_sftena Enable PHPMMU-TBU Q-Channel power control by software. 1'b0: Disable 1'b1: Enable

**PMU QCHANNEL PWR STS**

Address: Operational Base + offset (0x81D8)

Bit	Attr	Reset Value	Description
31:28	RO	0x0	reserved
27	RO	0x0	busgic_its1_qch_req Request status for BUSGIC-ITS1 Q-Channel power control. 1'b0: Not valid request 1'b1: Valid request
26	RO	0x0	busgic_its0_qch_req Request status for BUSGIC-ITS0 Q-Channel power control. 1'b0: Not valid request 1'b1: Valid request
25	RO	0x0	phpgic_its_qch_req Request status for PHPGIC-ITS Q-Channel power control. 1'b0: Not valid request 1'b1: Valid request
24	RO	0x0	pciemmu_tcu_qch_req Request status for PCIEMMU-TCU Q-Channel power control. 1'b0: Not valid request 1'b1: Valid request

Bit	Attr	Reset Value	Description
23	RO	0x0	pciemmu_tbu_qch_req Request status for PCIEMMU-TBU Q-Channel power control. 1'b0: Not valid request 1'b1: Valid request
22	RO	0x0	phpmmu_tcu_qch_req Request status for PHPMMU-TCU Q-Channel power control. 1'b0: Not valid request 1'b1: Valid request
21	RO	0x0	phpmmu_tbu_qch_req Request status for PHPMMU-TBU Q-Channel power control. 1'b0: Not valid request 1'b1: Valid request
20	RO	0x0	busgic_its1_qch_active Active status for PHPBUS-ITS1 Q-Channel power control. 1'b0: Inactive 1'b1: Active
19	RO	0x0	busgic_its0_qch_active Active status for PHPBUS-ITS0 Q-Channel power control. 1'b0: Inactive 1'b1: Active
18	RO	0x0	phpgic_its_qch_active Active status for PHPGIC-ITS Q-Channel power control. 1'b0: Inactive 1'b1: Active
17	RO	0x0	pciemmu_tcu_qch_active Active status for PCIEMMU-TCU Q-Channel power control. 1'b0: Inactive 1'b1: Active
16	RO	0x0	pciemmu_tbu_qch_active Active status for PCIEMMU-TBU Q-Channel power control. 1'b0: Inactive 1'b1: Active
15	RO	0x0	phpmmu_tcu_qch_active Active status for PHPMMU-TCU Q-Channel power control. 1'b0: Inactive 1'b1: Active
14	RO	0x0	phpmmu_tbu_qch_active Active status for PHPMMU-TBU Q-Channel power control. 1'b0: Inactive 1'b1: Active
13	RO	0x0	busgic_its1_qch_deny Deny status for PBUSGIC-ITS1 Q-Channel power control. 1'b0: Not deny 1'b1: Deny
12	RO	0x0	busgic_its0_qch_deny Deny status for BUSGIC-ITS0 Q-Channel power control. 1'b0: Not deny 1'b1: Deny
11	RO	0x0	phpgic_its_qch_deny Deny status for PHPGIC-ITS Q-Channel power control. 1'b0: Not deny 1'b1: Deny

Bit	Attr	Reset Value	Description
10	RO	0x0	pciemmu_tcu_qch_deny Deny status for PCIEMMU-TCU Q-Channel power control. 1'b0: Not deny 1'b1: Deny
9	RO	0x0	pciemmu_tbu_qch_deny Deny status for PCIEMMU-TBU Q-Channel power control. 1'b0: Not deny 1'b1: Deny
8	RO	0x0	phpmmu_tcu_qch_deny Deny status for PHPMMU-TCU Q-Channel power control. 1'b0: Not deny 1'b1: Deny
7	RO	0x0	phpmmu_tbu_qch_deny Deny status for PHPMMU-TBU Q-Channel power control. 1'b0: Not deny 1'b1: Deny
6	RO	0x0	busgic_its1_qch_accept Accept status for BUSGIC-ITS1 Q-Channel power control. 1'b0: Not accept 1'b1: Accept
5	RO	0x0	busgic_its0_qch_accept Accept status for BUSGIC-ITS0 Q-Channel power control. 1'b0: Not accept 1'b1: Accept
4	RO	0x0	phpgic_its_qch_accept Accept status for PHPGIC-ITS Q-Channel power control. 1'b0: Not accept 1'b1: Accept
3	RO	0x0	pciemmu_tcu_qch_accept Accept status for PCIEMMU-TCU Q-Channel power control. 1'b0: Not accept 1'b1: Accept
2	RO	0x0	pciemmu_tbu_qch_accept Accept status for PCIEMMU-TBU Q-Channel power control. 1'b0: Not accept 1'b1: Accept
1	RO	0x0	phpmmu_tcu_qch_accept Accept status for PHPMMU-TCU Q-Channel power control. 1'b0: Not accept 1'b1: Accept
0	RO	0x0	phpmmu_tbu_qch_accept Accept status for PHPMMU-TBU Q-Channel power control. 1'b0: Not accept 1'b1: Accept

**PMU DEBUG INFO CON**

Address: Operational Base + offset (0x81E0)

Bit	Attr	Reset Value	Description
31:16	WO	0x0000	write_enable Write enable for lower 16 bits, each bit is individual. 1'b0: Write access disable 1'b1: Write access enable
15:11	RO	0x00	reserved

Bit	Attr	Reset Value	Description
10	RW	0x0	cpu_power_state_sel Select CPU power state as debug information output to IO. 1'b0: Not select 1'b1: Select
9	RW	0x0	core1_power_state_sel Select BIGCORE1 power state as debug information output to IO. 1'b0: Not select 1'b1: Select
8	RW	0x0	core0_power_state_sel Select BIGCORE0 power state as debug information output to IO. 1'b0: Not select 1'b1: Select
7	RW	0x0	cpu7_power_state_sel Select CPU7 power state as CPU power state. 1'b0: Not select 1'b1: Select
6	RW	0x0	cpu6_power_state_sel Select CPU6 power state as CPU power state. 1'b0: Not select 1'b1: Select
5	RW	0x0	cpu5_power_state_sel Select CPU5 power state as CPU power state. 1'b0: Not select 1'b1: Select
4	RW	0x0	cpu4_power_state_sel Select CPU4 power state as CPU power state. 1'b0: Not select 1'b1: Select
3	RW	0x0	cpu3_power_state_sel Select CPU3 power state as CPU power state. 1'b0: Not select 1'b1: Select
2	RW	0x0	cpu2_power_state_sel Select CPU2 power state as CPU power state. 1'b0: Not select 1'b1: Select
1	RW	0x0	cpu1_power_state_sel Select CPU1 power state as CPU power state. 1'b0: Not select 1'b1: Select
0	RW	0x0	cpu0_power_state_sel Select CPU0 power state as CPU power state. 1'b0: Not select 1'b1: Select

**PMU VOP SUBPD PWR CHAIN STS**

Address: Operational Base + offset (0x81E4)

Bit	Attr	Reset Value	Description
31:21	RO	0x000	reserved
20	RO	0x0	vop_dsc8k_c0_pwr_stat PD_VOPDSC8K power chain 0 power state. 1'b0: Power down 1'b1: Power up



Bit	Attr	Reset Value	Description
19	RO	0x0	vop_dsc8k_c1_pwr_stat PD_VOPDSC8K power chain 1 power state. 1'b0: Power down 1'b1: Power up
18	RO	0x1	vop_dsc8k_mem_pwr_stat PD_VOPDSC8K memory power state. 1'b0: Power up 1'b1: Power down
17	RO	0x0	vop_dsc4k_c0_pwr_stat PD_VOPDSC4K power chain 0 power state. 1'b0: Power down 1'b1: Power up
16	RO	0x0	vop_dsc4k_c1_pwr_stat PD_VOPDSC4K power chain 1 power state. 1'b0: Power down 1'b1: Power up
15	RO	0x1	vop_dsc4k_mem_pwr_stat PD_VOPDSC4K memory power state. 1'b0: Power up 1'b1: Power down
14	RO	0x0	vop_esmart_c0_pwr_stat PD_VOPESMART power chain 0 power state. 1'b0: Power down 1'b1: Power up
13	RO	0x0	vop_esmart_c1_pwr_stat PD_VOPESMART power chain 1 power state. 1'b0: Power down 1'b1: Power up
12	RO	0x1	vop_esmart_mem_pwr_stat PD_VOPESMART memory power state. 1'b0: Power up 1'b1: Power down
11	RO	0x0	vop_cluster3_c0_pwr_stat PD_VOPCLUSTER3 power chain 0 power state. 1'b0: Power down 1'b1: Power up
10	RO	0x0	vop_cluster3_c1_pwr_stat PD_VOPCLUSTER3 power chain 1 power state. 1'b0: Power down 1'b1: Power up
9	RO	0x1	vop_cluster3_mem_pwr_stat PD_VOPCLUSTER3 memory power state. 1'b0: Power up 1'b1: Power down
8	RO	0x0	vop_cluster2_c0_pwr_stat PD_VOPCLUSTER2 power chain 0 power state. 1'b0: Power down 1'b1: Power up
7	RO	0x0	vop_cluster2_c1_pwr_stat PD_VOPCLUSTER2 power chain 1 power state. 1'b0: Power down 1'b1: Power up

Bit	Attr	Reset Value	Description
6	RO	0x1	vop_cluster2_mem_pwr_stat PD_VOPCLUSTER2 memory power state. 1'b0: Power up 1'b1: Power down
5	RO	0x0	vop_cluster1_c0_pwr_stat PD_VOPCLUSTER1 power chain 0 power state. 1'b0: Power down 1'b1: Power up
4	RO	0x0	vop_cluster1_c1_pwr_stat PD_VOPCLUSTER1 power chain 1 power state. 1'b0: Power down 1'b1: Power up
3	RO	0x1	vop_cluster1_mem_pwr_stat PD_VOPCLUSTER1 memory power state. 1'b0: Power up 1'b1: Power down
2	RO	0x0	vop_cluster0_c0_pwr_stat PD_VOPCLUSTER0 power chain 0 power state. 1'b0: Power down 1'b1: Power up
1	RO	0x0	vop_cluster0_c1_pwr_stat PD_VOPCLUSTER0 power chain 1 power state. 1'b0: Power down 1'b1: Power up
0	RO	0x1	vop_cluster0_mem_pwr_stat PD_VOPCLUSTER0 memory power state. 1'b0: Power up 1'b1: Power down

**PMU PWR CHAIN0 STS0**

Address: Operational Base + offset (0x81E8)

Bit	Attr	Reset Value	Description
31	RO	0x0	pd_pcie_c0_pwr_stat The power state of PD_PCIE power chain 0. 1'b0: Power down 1'b1: Power up
30	RO	0x0	pd_gmac_c0_pwr_stat The power state of PD_GMAC power chain 0. 1'b0: Power down 1'b1: Power up
29	RO	0x0	pd_php_c0_pwr_stat The power state of PD_PHP power chain 0. 1'b0: Power down 1'b1: Power up
28	RO	0x0	pd_audio_c0_pwr_stat The power state of PD_AUDIO power chain 0. 1'b0: Power down 1'b1: Power up
27	RO	0x0	pd_vo1_c0_pwr_stat The power state of PD_VO1 power chain 0. 1'b0: Power down 1'b1: Power up

Bit	Attr	Reset Value	Description
26	RO	0x0	pd_vo0_c0_pwr_stat The power state of PD_VO0 power chain 0. 1'b0: Power down 1'b1: Power up
25	RO	0x0	pd_vop_c0_pwr_stat The power state of PD_VOP power chain 0. 1'b0: Power down 1'b1: Power up
24	RO	0x0	pd_rga31_c0_pwr_stat The power state of PD_RGA31 power chain 0. 1'b0: Power down 1'b1: Power up
23	RO	0x0	pd_isp1_c0_pwr_stat The power state of PD_ISP1 power chain 0. 1'b0: Power down 1'b1: Power up
22	RO	0x0	pd_fec_c0_pwr_stat The power state of PD_FEC power chain 0. 1'b0: Power down 1'b1: Power up
21	RO	0x0	pd_vi_c0_pwr_stat The power state of PD_VI power chain 0. 1'b0: Power down 1'b1: Power up
20	RO	0x0	pd_av1_c0_pwr_stat The power state of PD_AV1 power chain 0. 1'b0: Power down 1'b1: Power up
19	RO	0x0	pd_rga30_c0_pwr_stat The power state of PD_RGA30. 1'b0: Power down 1'b1: Power up
18	RO	0x0	pd_vdpu_c0_pwr_stat The power state of PD_VDPU power chain 0. 1'b0: Power down 1'b1: Power up
17	RO	0x0	pd_rkvdec1_c0_pwr_stat The power state of PD_RKVDEC1 power chain 0. 1'b0: Power down 1'b1: Power up
16	RO	0x0	pd_rkvdec0_c0_pwr_stat The power state of PD_RKVDEC0 power chain 0. 1'b0: Power down 1'b1: Power up
15	RO	0x0	pd_venc1_c0_pwr_stat The power state of PD_VENC1 power chain 0. 1'b0: Power down 1'b1: Power up
14	RO	0x0	pd_venc0_c0_pwr_stat The power state of PD_VENC0 power chain 0. 1'b0: Power down 1'b1: Power up

Bit	Attr	Reset Value	Description
13	RO	0x0	pd_npu2_c0_pwr_stat The power state of PD_NPU2 power chain 0. 1'b0: Power down 1'b1: Power up
12	RO	0x0	pd_npu1_c0_pwr_stat The power state of PD_NPU1 power chain 0. 1'b0: Power down 1'b1: Power up
11	RO	0x0	pd_nputop_c0_pwr_stat The power state of PD_NPUTOP power chain 0. 1'b0: Power down 1'b1: Power up
10:8	RO	0x0	reserved
7	RO	0x1	pd_cpu_7_c0_pwr_stat The power state of PD_CPU_7 power chain 0. 1'b0: Power down 1'b1: Power up
6	RO	0x1	pd_cpu_6_c0_pwr_stat The power state of PD_CPU_6 power chain 0. 1'b0: Power down 1'b1: Power up
5	RO	0x1	pd_cpu_5_c0_pwr_stat The power state of PD_CPU_5 power chain 0. 1'b0: Power down 1'b1: Power up
4	RO	0x1	pd_cpu_4_c0_pwr_stat The power state of PD_CPU_4 power chain 0. 1'b0: Power down 1'b1: Power up
3	RO	0x1	pd_cpu_3_c0_pwr_stat The power state of PD_CPU_3 power chain 0. 1'b0: Power down 1'b1: Power up
2	RO	0x1	pd_cpu_2_c0_pwr_stat The power state of PD_CPU_2 power chain 0. 1'b0: Power down 1'b1: Power up
1	RO	0x1	pd_cpu_1_c0_pwr_stat The power state of PD_CPU_1 power chain 0. 1'b0: Power down 1'b1: Power up
0	RO	0x1	pd_cpu_0_c0_pwr_stat The power state of PD_CPU_0 power chain 0. 1'b0: Power down 1'b1: Power up

**PMU PWR CHAIN0 STS1**

Address: Operational Base + offset (0x81EC)

Bit	Attr	Reset Value	Description
31:8	RO	0x000000	reserved
7	RO	0x1	pd_center_c0_pwr_stat The power state of PD_CENTER power chain 0. 1'b0: Power down 1'b1: Power up

Bit	Attr	Reset Value	Description
6	RO	0x1	pd_crypto_c0_pwr_stat The power state of PD_CRYPT0 power chain 0. 1'b0: Power down 1'b1: Power up
5	RO	0x1	pd_sdmmc_c0_pwr_stat The power state of PD_SDMMC power chain 0. 1'b0: Power down 1'b1: Power up
4	RO	0x1	pd_secure_c0_pwr_stat The power state of PD_SECURE power chain 0. 1'b0: Power down 1'b1: Power up
3	RO	0x1	pd_usb_c0_pwr_stat The power state of PD_USB power chain 0. 1'b0: Power down 1'b1: Power up
2	RO	0x1	pd_sdio_c0_pwr_stat The power state of PD_SDIO power chain 0. 1'b0: Power down 1'b1: Power up
1	RO	0x1	pd_nvme0_c0_pwr_stat The power state of PD_NVME0 power chain 0. 1'b0: Power down 1'b1: Power up
0	RO	0x1	pd_nvme_c0_pwr_stat The power state of PD_NVME power chain 0. 1'b0: Power down 1'b1: Power up

**PMU PWR CHAIN1 STS0**

Address: Operational Base + offset (0x81F0)

Bit	Attr	Reset Value	Description
31	RO	0x0	pd_pcie_c1_pwr_stat The power state of PD_PCIE power chain 1. 1'b0: Power down 1'b1: Power up
30	RO	0x0	pd_gmac_c1_pwr_stat The power state of PD_GMAC power chain 1. 1'b0: Power down 1'b1: Power up
29	RO	0x0	pd_php_c1_pwr_stat The power state of PD_PHP power chain 1. 1'b0: Power down 1'b1: Power up
28	RO	0x0	pd_audio_c1_pwr_stat The power state of PD_AUDIO power chain 1. 1'b0: Power down 1'b1: Power up
27	RO	0x0	pd_vo1_c1_pwr_stat The power state of PD_VO1 power chain 1. 1'b0: Power down 1'b1: Power up

Bit	Attr	Reset Value	Description
26	RO	0x0	pd_vo0_c1_pwr_stat The power state of PD_VO0 power chain 1. 1'b0: Power down 1'b1: Power up
25	RO	0x0	pd_vop_c1_pwr_stat The power state of PD_VOP power chain 1. 1'b0: Power down 1'b1: Power up
24	RO	0x0	pd_rga31_c1_pwr_stat The power state of PD_RGA31 power chain 1. 1'b0: Power down 1'b1: Power up
23	RO	0x0	pd_isp1_c1_pwr_stat The power state of PD_ISP1 power chain 1. 1'b0: Power down 1'b1: Power up
22	RO	0x0	pd_fec_c1_pwr_stat The power state of PD_FEC power chain 1. 1'b0: Power down 1'b1: Power up
21	RO	0x0	pd_vi_c1_pwr_stat The power state of PD_VI power chain 1. 1'b0: Power down 1'b1: Power up
20	RO	0x0	pd_av1_c1_pwr_stat The power state of PD_AV1 power chain 1. 1'b0: Power down 1'b1: Power up
19	RO	0x0	pd_rga30_c1_pwr_stat The power state of PD_RGA30. 1'b0: Power down 1'b1: Power up
18	RO	0x0	pd_vdpu_c1_pwr_stat The power state of PD_VDPU power chain 1. 1'b0: Power down 1'b1: Power up
17	RO	0x0	pd_rkvdec1_c1_pwr_stat The power state of PD_RKVDEC1 power chain 1. 1'b0: Power down 1'b1: Power up
16	RO	0x0	pd_rkvdec0_c1_pwr_stat The power state of PD_RKVDEC0 power chain 1. 1'b0: Power down 1'b1: Power up
15	RO	0x0	pd_venc1_c1_pwr_stat The power state of PD_VENC1 power chain 1. 1'b0: Power down 1'b1: Power up
14	RO	0x0	pd_venc0_c1_pwr_stat The power state of PD_VENC0 power chain 1. 1'b0: Power down 1'b1: Power up

Bit	Attr	Reset Value	Description
13	RO	0x0	pd_npu2_c1_pwr_stat The power state of PD_NPU2 power chain 1. 1'b0: Power down 1'b1: Power up
12	RO	0x0	pd_npu1_c1_pwr_stat The power state of PD_NPU1 power chain 1. 1'b0: Power down 1'b1: Power up
11	RO	0x0	pd_nputop_c1_pwr_stat The power state of PD_NPUTOP power chain 1. 1'b0: Power down 1'b1: Power up
10:8	RO	0x0	reserved
7	RO	0x1	pd_cpu_7_c1_pwr_stat The power state of PD_CPU_7 power chain 1. 1'b0: Power down 1'b1: Power up
6	RO	0x1	pd_cpu_6_c1_pwr_stat The power state of PD_CPU_6 power chain 1. 1'b0: Power down 1'b1: Power up
5	RO	0x1	pd_cpu_5_c1_pwr_stat The power state of PD_CPU_5 power chain 1. 1'b0: Power down 1'b1: Power up
4	RO	0x1	pd_cpu_4_c1_pwr_stat The power state of PD_CPU_4 power chain 1. 1'b0: Power down 1'b1: Power up
3	RO	0x1	pd_cpu_3_c1_pwr_stat The power state of PD_CPU_3 power chain 1. 1'b0: Power down 1'b1: Power up
2	RO	0x1	pd_cpu_2_c1_pwr_stat The power state of PD_CPU_2 power chain 1. 1'b0: Power down 1'b1: Power up
1	RO	0x1	pd_cpu_1_c1_pwr_stat The power state of PD_CPU_1 power chain 1. 1'b0: Power down 1'b1: Power up
0	RO	0x1	pd_cpu_0_c1_pwr_stat The power state of PD_CPU_0 power chain 1. 1'b0: Power down 1'b1: Power up

**PMU PWR CHAIN1 STS1**

Address: Operational Base + offset (0x81F4)

Bit	Attr	Reset Value	Description
31:8	RO	0x000000	reserved
7	RO	0x1	pd_center_c1_pwr_stat The power state of PD_CENTER power chain 1. 1'b0: Power down 1'b1: Power up

Bit	Attr	Reset Value	Description
6	RO	0x1	pd_crypto_c1_pwr_stat The power state of PD_CRYPT0 power chain 1. 1'b0: Power down 1'b1: Power up
5	RO	0x1	pd_sdmmc_c1_pwr_stat The power state of PD_SDMMC power chain 1. 1'b0: Power down 1'b1: Power up
4	RO	0x1	pd_secure_c1_pwr_stat The power state of PD_SECURE power chain 1. 1'b0: Power down 1'b1: Power up
3	RO	0x1	pd_usb_c1_pwr_stat The power state of PD_USB power chain 1. 1'b0: Power down 1'b1: Power up
2	RO	0x1	pd_sdio_c1_pwr_stat The power state of PD_SDIO power chain 1. 1'b0: Power down 1'b1: Power up
1	RO	0x1	pd_nvm0_c1_pwr_stat The power state of PD_NVM0 power chain 1. 1'b0: Power down 1'b1: Power up
0	RO	0x1	pd_nvm_c1_pwr_stat The power state of PD_NVM power chain 1. 1'b0: Power down 1'b1: Power up

**PMU PWR MEM STS0**

Address: Operational Base + offset (0x81F8)

Bit	Attr	Reset Value	Description
31	RO	0x1	pd_pcie_mem_pwr_stat The power state of PD_PCIE memory. 1'b0: Power up 1'b1: Power down
30	RO	0x1	pd_gmac_mem_pwr_stat The power state of PD_GMAC memory. 1'b0: Power up 1'b1: Power down
29	RO	0x1	pd_php_mem_pwr_stat The power state of PD_PHP memory. 1'b0: Power up 1'b1: Power down
28	RO	0x1	pd_audio_mem_pwr_stat The power state of PD_AUDIO memory. 1'b0: Power up 1'b1: Power down
27	RO	0x1	pd_vo1_mem_pwr_stat The power state of PD_VO1 memory. 1'b0: Power up 1'b1: Power down



Bit	Attr	Reset Value	Description
26	RO	0x1	pd_vo0_mem_pwr_stat The power state of PD_VO0 memory. 1'b0: Power up 1'b1: Power down
25	RO	0x1	pd_vop_mem_pwr_stat The power state of PD_VOP memory. 1'b0: Power up 1'b1: Power down
24	RO	0x1	pd_rga31_mem_pwr_stat The power state of PD_RGA31 memory. 1'b0: Power up 1'b1: Power down
23	RO	0x1	pd_isp1_mem_pwr_stat The power state of PD_ISP1 memory. 1'b0: Power up 1'b1: Power down
22	RO	0x1	pd_fec_mem_pwr_stat The power state of PD_FEC memory. 1'b0: Power up 1'b1: Power down
21	RO	0x1	pd_vi_mem_pwr_stat The power state of PD_VI memory. 1'b0: Power up 1'b1: Power down
20	RO	0x1	pd_av1_mem_pwr_stat The power state of PD_AV1 memory. 1'b0: Power up 1'b1: Power down
19	RO	0x1	pd_rga30_mem_pwr_stat The power state of PD_RGA30 memory. 1'b0: Power up 1'b1: Power down
18	RO	0x0	reserved
17	RO	0x1	pd_rkvdec1_mem_pwr_stat The power state of PD_RKVDEC1 memory. 1'b0: Power up 1'b1: Power down
16	RO	0x1	pd_rkvdec0_mem_pwr_stat The power state of PD_RKVDEC0 memory. 1'b0: Power up 1'b1: Power down
15	RO	0x1	pd_venc1_mem_pwr_stat The power state of PD_VENC1 memory. 1'b0: Power up 1'b1: Power down
14	RO	0x1	pd_venc0_mem_pwr_stat The power state of PD_VENC0 memory. 1'b0: Power up 1'b1: Power down
13	RO	0x1	pd_npu2_mem_pwr_stat The power state of PD_NPU2 memory. 1'b0: Power up 1'b1: Power down

Bit	Attr	Reset Value	Description
12	RO	0x1	pd_npu1_mem_pwr_stat The power state of PD_NPU1 memory. 1'b0: Power up 1'b1: Power down
11	RO	0x1	pd_nputop_mem_pwr_stat The power state of PD_NPUTOP memory. 1'b0: Power up 1'b1: Power down
10:8	RO	0x0	reserved
7	RO	0x0	pd_cpu_7_mem_pwr_stat The power state of PD_CPU_7 memory. 1'b0: Power up 1'b1: Power down
6	RO	0x0	pd_cpu_6_mem_pwr_stat The power state of PD_CPU_6 memory. 1'b0: Power up 1'b1: Power down
5	RO	0x0	pd_cpu_5_mem_pwr_stat The power state of PD_CPU_5 memory. 1'b0: Power up 1'b1: Power down
4	RO	0x0	pd_cpu_4_mem_pwr_stat The power state of PD_CPU_4 memory. 1'b0: Power up 1'b1: Power down
3	RO	0x0	pd_cpu_3_mem_pwr_stat The power state of PD_CPU_3 memory. 1'b0: Power up 1'b1: Power down
2	RO	0x0	pd_cpu_2_mem_pwr_stat The power state of PD_CPU_2 memory. 1'b0: Power up 1'b1: Power down
1	RO	0x0	pd_cpu_1_mem_pwr_stat The power state of PD_CPU_1 memory. 1'b0: Power up 1'b1: Power down
0	RO	0x0	pd_cpu_0_mem_pwr_stat The power state of PD_CPU_0 memory. 1'b0: Power up 1'b1: Power down

**PMU\_PWR\_MEM\_STS1**

Address: Operational Base + offset (0x81FC)

Bit	Attr	Reset Value	Description
31:15	RO	0x00000	reserved

Bit	Attr	Reset Value	Description
14:10	RO	0x00	pd_dsus_mem_pwr_stat The power state of VD_LITDSU memory. 1'b0: Power up 1'b1: Power down Bit[10] used to indicate "Snoop filter and LTDB RAMs" memory power state. Bit[11] used to indicate "L3 Tag ways 0~3, L3 Data portion 0, and L3 Victim RAMs" memory state. Bit[12] used to indicate "L3 Tag ways 4~7" memory power state. Bit[13] used to indicate "L3 Tag ways 8~11, L3 Data portion 1 RAMs" memory power state. Bit[14] used to indicate other memory power state.
9	RO	0x0	pd_ddr23_mem_pwr_stat The power state of VD_DDR23 memory. 1'b0: Power up 1'b1: Power down
8	RO	0x0	pd_ddr01_mem_pwr_stat The power state of VD_DDR01 memory. 1'b0: Power up 1'b1: Power down
7	RO	0x0	pd_center_mem_pwr_stat The power state of PD_CENTER memory. 1'b0: Power up 1'b1: Power down
6	RO	0x0	pd_crypto_mem_pwr_stat The power state of PD_CRYPT0 memory. 1'b0: Power up 1'b1: Power down
5	RO	0x0	pd_sdmmc_mem_pwr_stat The power state of PD_SDMMC memory. 1'b0: Power up 1'b1: Power down
4	RO	0x0	reserved
3	RO	0x0	pd_usb_mem_pwr_stat The power state of PD_USB memory. 1'b0: Power up 1'b1: Power down
2	RO	0x0	pd_sdio_mem_pwr_stat The power state of PD_SDIO memory. 1'b0: Power up 1'b1: Power down
1	RO	0x0	pd_nvm0_mem_pwr_stat The power state of PD_NVM0 memory. 1'b0: Power up 1'b1: Power down
0	RO	0x0	reserved

**PMU BISR CON0**

Address: Operational Base + offset (0x8200)

Bit	Attr	Reset Value	Description
31:16	WO	0x0000	write_enable Write enable for lower 16 bits, each bit is individual. 1'b0: Write access disable 1'b1: Write access enable
15:12	RO	0x0	reserved

Bit	Attr	Reset Value	Description
11	RW	0x0	bisr_initrstn_dis Disable initial reset for memory repair logic. 1'b0: Enable 1'b1: Disable
10	RW	0x0	bisr_sft_ena Enable memory repair control by software. 1'b0: Disable 1'b1: Enable
9	RW	0x1	bisr_resetrn_sft Generate bisr_resetN by software.
8	RW	0x0	bisr_repair_mode Memory repair mode. 1'b0: Serial repair mode. In this mode, memory repair will start after power domain is power up, not need to wait for other domain power up. If multi domains are power up at the same time, the repair is executed according to the repair group order. 1'b1: Parallel repair mode. In this mode, memory repair will not start until all specified power domains are power up.
7	RW	0x0	bisr_timeout_ena Enable memory repair timeout counter. 1'b0: Disable 1'b1: Enable
6	RW	0x0	bisr_clkgate_sftena Enable memory repair clock gating by software. If asserted, memory repair clock is gated. 1'b0: Disable 1'b1: Enable
5	RW	0x0	bisr_clkgate_ena Enable memory repair auto clock gating by hardware. If asserted, memory repair clock is auto gated when memory repair is idle. 1'b0: Disable 1'b1: Enable
4:1	RW	0x1	bisr_pdgdone_sel PDGDone source selection. If bit[1]=1, PDGDone come from bisr_PDGDone, controlled by hardware. If bit[2]=1, PDGDone come from sft_PDGDone (pd_xx_pdgdone_sftena), controlled by software. If bit[3]=1, PDGDone come from bisr_Done, controlled by hardware. If bit[4]=1, PDGDone come from bisr_timeout, controlled by hardware. Only one bit can be set to 1 at a time.
0	RW	0x1	bisr_init Enable memory repair initialization. When asserted, the chip will startup memory repair for memory of power on if external memory repair information is ready. It should be set to 0 if chip is reset by software. 1'b0: Disable 1'b1: Enable

**PMU BISR CON1**

Address: Operational Base + offset (0x8204)

Bit	Attr	Reset Value	Description
31:16	WO	0x0000	write_enable Write enable for lower 16 bits, each bit is individual. 1'b0: Write access disable 1'b1: Write access enable
15	RW	0x0	pd_rga31_repair_ena Enable memory repair for PD_RGA31 by hardware. 1'b0: Disable 1'b1: Enable
14	RW	0x0	pd_isp1_repair_ena Enable memory repair for PD_ISP1 by hardware. 1'b0: Disable 1'b1: Enable
13	RW	0x0	pd_fec_repair_ena Enable memory repair for PD_FEC by hardware. 1'b0: Disable 1'b1: Enable
12	RW	0x0	pd_vi_repair_ena Enable memory repair for PD_VI by hardware. 1'b0: Disable 1'b1: Enable
11	RW	0x0	pd_av1_repair_ena Enable memory repair for PD_AV1 by hardware. 1'b0: Disable 1'b1: Enable
10	RW	0x0	pd_rga30_repair_ena Enable memory repair for PD_RGA30 by hardware. 1'b0: Disable 1'b1: Enable
9	RW	0x0	pd_vdpu_repair_ena Enable memory repair for PD_VDPU by hardware. 1'b0: Disable 1'b1: Enable
8	RW	0x0	pd_rkvdec1_repair_ena Enable memory repair for PD_RKVDEC1 by hardware. 1'b0: Disable 1'b1: Enable
7	RW	0x0	pd_rkvdec0_repair_ena Enable memory repair for PD_RKVDEC0 by hardware. 1'b0: Disable 1'b1: Enable
6	RW	0x0	pd_venc1_repair_ena Enable memory repair for PD_VENC1 by hardware. 1'b0: Disable 1'b1: Enable
5	RW	0x0	pd_venc0_repair_ena Enable memory repair for PD_VENC0 by hardware. 1'b0: Disable 1'b1: Enable
4	RW	0x0	pd_npu2_repair_ena Enable memory repair for PD_NPU2 by hardware. 1'b0: Disable 1'b1: Enable

Bit	Attr	Reset Value	Description
3	RW	0x0	pd_npu1_repair_ena Enable memory repair for PD_NPU1 by hardware. 1'b0: Disable 1'b1: Enable
2	RW	0x0	pd_nputop_repair_ena Enable memory repair for PD_NPUTOP by hardware. 1'b0: Disable 1'b1: Enable
1	RW	0x0	pd_gpu_bisr_ena Enable memory repair for VD_GPU by hardware. 1'b0: Disable 1'b1: Enable
0	RO	0x0	reserved

**PMU BISR CON2**

Address: Operational Base + offset (0x8208)

Bit	Attr	Reset Value	Description
31:16	WO	0x0000	write_enable Write enable for lower 16 bits, each bit is individual. 1'b0: Write access disable 1'b1: Write access enable
15	RW	0x1	pd_bus_repair_ena Enable memory repair for PD_BUS by hardware. 1'b0: Disable 1'b1: Enable
14	RW	0x1	pd_ddr23_repair_ena Enable memory repair for VD_DDR23 by hardware. 1'b0: Disable 1'b1: Enable
13	RW	0x1	pd_ddr01_repair_ena Enable memory repair for VD_DDR01 by hardware. 1'b0: Disable 1'b1: Enable
12	RW	0x1	pd_center_repair_ena Enable memory repair for PD_CENTER by hardware. 1'b0: Disable 1'b1: Enable
11	RW	0x1	pd_crypto_repair_ena Enable memory repair for PD_CRYPTO by hardware. 1'b0: Disable 1'b1: Enable
10	RW	0x1	pd_sdmmc_repair_ena Enable memory repair for PD_SDMMC by hardware. 1'b0: Disable 1'b1: Enable
9	RW	0x1	pd_usb_repair_ena Enable memory repair for PD_USB by hardware. 1'b0: Disable 1'b1: Enable
8	RW	0x1	pd_sdio_repair_ena Enable memory repair for PD_SDIO by hardware. 1'b0: Disable 1'b1: Enable

Bit	Attr	Reset Value	Description
7	RW	0x1	pd_nvm0_repair_ena Enable memory repair for PD_NVM0 by hardware. 1'b0: Disable 1'b1: Enable
6	RW	0x0	pd_pcie_repair_ena Enable memory repair for PD_PCIE by hardware. 1'b0: Disable 1'b1: Enable
5	RW	0x0	pd_gmac_repair_ena Enable memory repair for PD_GMAC by hardware. 1'b0: Disable 1'b1: Enable
4	RW	0x0	pd_php_repair_ena Enable memory repair for PD_PHP by hardware. 1'b0: Disable 1'b1: Enable
3	RW	0x0	pd_audio_repair_ena Enable memory repair for PD_AUDIO by hardware. 1'b0: Disable 1'b1: Enable
2	RW	0x0	pd_vo1_repair_ena Enable memory repair for PD_VO1 by hardware. 1'b0: Disable 1'b1: Enable
1	RW	0x0	pd_vo0_repair_ena Enable memory repair for PD_VO0 by hardware. 1'b0: Disable 1'b1: Enable
0	RW	0x0	pd_vop_repair_ena Enable memory repair for PD_VOP by hardware. 1'b0: Disable 1'b1: Enable

**PMU BISR CON3**

Address: Operational Base + offset (0x820C)

Bit	Attr	Reset Value	Description
31:16	WO	0x0000	write_enable Write enable for lower 16 bits, each bit is individual. 1'b0: Write access disable 1'b1: Write access enable
15	RW	0x0	pd_vopesmart_repair_ena Enable memory repair for PD_VOPESMART by hardware. 1'b0: Disable 1'b1: Enable
14	RW	0x0	pd_vopdsc4k_repair_ena Enable memory repair for PD_VOPDSC4K by hardware. 1'b0: Disable 1'b1: Enable
13	RW	0x0	pd_vopdsc8k_repair_ena Enable memory repair for PD_VOPDSC8K by hardware. 1'b0: Disable 1'b1: Enable

Bit	Attr	Reset Value	Description
12	RW	0x0	pd_vopcluster3_repair_ena Enable memory repair for PD_VOPCLUSTER3 by hardware. 1'b0: Disable 1'b1: Enable
11	RW	0x0	pd_vopcluster2_repair_ena Enable memory repair for PD_VOPCLUSTER2 by hardware. 1'b0: Disable 1'b1: Enable
10	RW	0x0	pd_vopcluster1_repair_ena Enable memory repair for PD_VOPCLUSTER1 by hardware. 1'b0: Disable 1'b1: Enable
9	RW	0x0	pd_vopcluster0_repair_ena Enable memory repair for PD_VOPCLUSTER0 by hardware. 1'b0: Disable 1'b1: Enable
8	RW	0x1	pd_cpu0_repair_ena Enable memory repair for PD_CPU0 by hardware. 1'b0: Disable 1'b1: Enable
7	RW	0x1	pd_cpu1_repair_ena Enable memory repair for PD_CPU1 by hardware. 1'b0: Disable 1'b1: Enable
6	RW	0x1	pd_cpu2_repair_ena Enable memory repair for PD_CPU2 by hardware. 1'b0: Disable 1'b1: Enable
5	RW	0x1	pd_cpu3_repair_ena Enable memory repair for PD_CPU3 by hardware. 1'b0: Disable 1'b1: Enable
4	RW	0x1	pd_cpu4_repair_ena Enable memory repair for PD_CPU4 by hardware. 1'b0: Disable 1'b1: Enable
3	RW	0x1	pd_cpu5_repair_ena Enable memory repair for PD_CPU5 by hardware. 1'b0: Disable 1'b1: Enable
2	RW	0x1	pd_cpu6_repair_ena Enable memory repair for PD_CPU6 by hardware. 1'b0: Disable 1'b1: Enable
1	RW	0x1	pd_cpu7_repair_ena Enable memory repair for PD_CPU7 by hardware. 1'b0: Disable 1'b1: Enable
0	RW	0x1	pd_dsu_repair_ena Enable memory repair for PD_DSU by hardware. 1'b0: Disable 1'b1: Enable

**PMU BISR CON4**

Address: Operational Base + offset (0x8210)



Bit	Attr	Reset Value	Description
31:16	WO	0x0000	write_enable Write enable for lower 16 bits, each bit is individual. 1'b0: Write access disable 1'b1: Write access enable
15	RW	0x0	pd_rga31_repair_sftena Enable memory repair for PD_RGA31 by software. 1'b0: Disable 1'b1: Enable
14	RW	0x0	pd_isp1_repair_sftena Enable memory repair for PD_ISP1 by software. 1'b0: Disable 1'b1: Enable
13	RW	0x0	pd_fec_repair_sftena Enable memory repair for PD_FEC by software. 1'b0: Disable 1'b1: Enable
12	RW	0x0	pd_vi_repair_sftena Enable memory repair for PD_VI by software. 1'b0: Disable 1'b1: Enable
11	RW	0x0	pd_av1_repair_sftena Enable memory repair for PD_AV1 by software. 1'b0: Disable 1'b1: Enable
10	RW	0x0	pd_rga30_repair_sftena Enable memory repair for PD_RGA30 by software. 1'b0: Disable 1'b1: Enable
9	RW	0x0	pd_vdpu_repair_sftena Enable memory repair for PD_VDPU by software. 1'b0: Disable 1'b1: Enable
8	RW	0x0	pd_rkvdec1_repair_sftena Enable memory repair for PD_RKVDEC1 by software. 1'b0: Disable 1'b1: Enable
7	RW	0x0	pd_rkvdec0_repair_sftena Enable memory repair for PD_RKVDEC0 by software. 1'b0: Disable 1'b1: Enable
6	RW	0x0	pd_venc1_repair_sftena Enable memory repair for PD_VENC1 by software. 1'b0: Disable 1'b1: Enable
5	RW	0x0	pd_venc0_repair_sftena Enable memory repair for PD_VENC0 by software. 1'b0: Disable 1'b1: Enable
4	RW	0x0	pd_npu2_repair_sftena Enable memory repair for PD_NPU2 by software. 1'b0: Disable 1'b1: Enable

Bit	Attr	Reset Value	Description
3	RW	0x0	pd_npu1_repair_sftena Enable memory repair for PD_NPU1 by software. 1'b0: Disable 1'b1: Enable
2	RW	0x0	pd_nputop_repair_sftena Enable memory repair for PD_NPUTOP by software. 1'b0: Disable 1'b1: Enable
1	RW	0x0	pd_gpu_bisr_sftena Enable memory repair for VD_GPU by software. 1'b0: Disable 1'b1: Enable
0	RW	0x0	pd_pmu1_repair_sftena Enable memory repair for PD_PMU1 by software. 1'b0: Disable 1'b1: Enable

**PMU BISR CON5**

Address: Operational Base + offset (0x8214)

Bit	Attr	Reset Value	Description
31:16	WO	0x0000	write_enable Write enable for lower 16 bits, each bit is individual. 1'b0: Write access disable 1'b1: Write access enable
15	RW	0x0	pd_bus_repair_sftena Enable memory repair for PD_BUS by software. 1'b0: Disable 1'b1: Enable
14	RW	0x0	pd_ddr23_repair_sftena Enable memory repair for VD_DDR23 by software. 1'b0: Disable 1'b1: Enable
13	RW	0x0	pd_ddr01_repair_sftena Enable memory repair for VD_DDR01 by software. 1'b0: Disable 1'b1: Enable
12	RW	0x0	pd_center_repair_sftena Enable memory repair for PD_CENTER by software. 1'b0: Disable 1'b1: Enable
11	RW	0x0	pd_crypto_repair_sftena Enable memory repair for PD_CRYPTO by software. 1'b0: Disable 1'b1: Enable
10	RW	0x0	pd_sdmmc_repair_sftena Enable memory repair for PD_SDMMC by software. 1'b0: Disable 1'b1: Enable
9	RW	0x0	pd_usb_repair_sftena Enable memory repair for PD_USB by software. 1'b0: Disable 1'b1: Enable

Bit	Attr	Reset Value	Description
8	RW	0x0	pd_sdio_repair_sftena Enable memory repair for PD_SDIO by software. 1'b0: Disable 1'b1: Enable
7	RW	0x0	pd_nvm0_repair_sftena Enable memory repair for PD_NVM0 by software. 1'b0: Disable 1'b1: Enable
6	RW	0x0	pd_pcie_repair_sftena Enable memory repair for PD_PCIE by software. 1'b0: Disable 1'b1: Enable
5	RW	0x0	pd_gmac_repair_sftena Enable memory repair for PD_GMAC by software. 1'b0: Disable 1'b1: Enable
4	RW	0x0	pd_php_repair_sftena Enable memory repair for PD_PHP by software. 1'b0: Disable 1'b1: Enable
3	RW	0x0	pd_audio_repair_sftena Enable memory repair for PD_AUDIO by software. 1'b0: Disable 1'b1: Enable
2	RW	0x0	pd_vo1_repair_sftena Enable memory repair for PD_VO1 by software. 1'b0: Disable 1'b1: Enable
1	RW	0x0	pd_vo0_repair_sftena Enable memory repair for PD_VO0 by software. 1'b0: Disable 1'b1: Enable
0	RW	0x0	pd_vop_repair_sftena Enable memory repair for PD_VOP by software. 1'b0: Disable 1'b1: Enable

**PMU BISR CON6**

Address: Operational Base + offset (0x8218)

Bit	Attr	Reset Value	Description
31:16	WO	0x0000	write_enable Write enable for lower 16 bits, each bit is individual. 1'b0: Write access disable 1'b1: Write access enable
15	RW	0x0	pd_vopesmart_repair_sftena Enable memory repair for PD_VOPESMART by software. 1'b0: Disable 1'b1: Enable
14	RW	0x0	pd_vopdsc4k_repair_sftena Enable memory repair for PD_VOPDSC4K by software. 1'b0: Disable 1'b1: Enable

Bit	Attr	Reset Value	Description
13	RW	0x0	pd_vopdsc8k_repair_sftena Enable memory repair for PD_VOPDSC8K by software. 1'b0: Disable 1'b1: Enable
12	RW	0x0	pd_vopcluster3_repair_sftena Enable memory repair for PD_VOPCLUSTER3 by software. 1'b0: Disable 1'b1: Enable
11	RW	0x0	pd_vopcluster2_repair_sftena Enable memory repair for PD_VOPCLUSTER2 by software. 1'b0: Disable 1'b1: Enable
10	RW	0x0	pd_vopcluster1_repair_sftena Enable memory repair for PD_VOPCLUSTER1 by software. 1'b0: Disable 1'b1: Enable
9	RW	0x0	pd_vopcluster0_repair_sftena Enable memory repair for PD_VOPCLUSTER0 by software. 1'b0: Disable 1'b1: Enable
8	RW	0x0	pd_cpu0_repair_sftena Enable memory repair for PD_CPU0 by software. 1'b0: Disable 1'b1: Enable
7	RW	0x0	pd_cpu1_repair_sftena Enable memory repair for PD_CPU1 by software. 1'b0: Disable 1'b1: Enable
6	RW	0x0	pd_cpu2_repair_sftena Enable memory repair for PD_CPU2 by software. 1'b0: Disable 1'b1: Enable
5	RW	0x0	pd_cpu3_repair_sftena Enable memory repair for PD_CPU3 by software. 1'b0: Disable 1'b1: Enable
4	RW	0x0	pd_cpu4_repair_sftena Enable memory repair for PD_CPU4 by software. 1'b0: Disable 1'b1: Enable
3	RW	0x0	pd_cpu5_repair_sftena Enable memory repair for PD_CPU5 by software. 1'b0: Disable 1'b1: Enable
2	RW	0x0	pd_cpu6_repair_sftena Enable memory repair for PD_CPU6 by software. 1'b0: Disable 1'b1: Enable
1	RW	0x0	pd_cpu7_repair_sftena Enable memory repair for PD_CPU7 by software. 1'b0: Disable 1'b1: Enable

Bit	Attr	Reset Value	Description
0	RW	0x0	pd_dsu_repair_sftena Enable memory repair for PD_DSU by software. 1'b0: Disable 1'b1: Enable

**PMU BISR CON7**

Address: Operational Base + offset (0x821C)

Bit	Attr	Reset Value	Description
31:16	WO	0x0000	write_enable Write enable for lower 16 bits, each bit is individual. 1'b0: Write access disable 1'b1: Write access enable
15	RW	0x0	pd_rga31_pdgdone_sftena Configure repair done for PD_RGA31 by software. 1'b0: Inactive 1'b1: Active
14	RW	0x0	pd_isp1_pdgdone_sftena Configure repair done for PD_ISP1 by software. 1'b0: Inactive 1'b1: Active
13	RW	0x0	pd_fec_pdgdone_sftena Configure repair done for PD_FEC by software. 1'b0: Inactive 1'b1: Active
12	RW	0x0	pd_vi_pdgdone_sftena Configure repair done for PD_VI by software. 1'b0: Inactive 1'b1: Active
11	RW	0x0	pd_av1_pdgdone_sftena Configure repair done for PD_AV1 by software. 1'b0: Inactive 1'b1: Active
10	RW	0x0	pd_rga30_pdgdone_sftena Configure repair done for PD_RGA30 by software. 1'b0: Inactive 1'b1: Active
9	RW	0x0	pd_vdpu_pdgdone_sftena Configure repair done for PD_VDPU by software. 1'b0: Inactive 1'b1: Active
8	RW	0x0	pd_rkvdec1_pdgdone_sftena Configure repair done for PD_RKVDEC1 by software. 1'b0: Inactive 1'b1: Active
7	RW	0x0	pd_rkvdec0_pdgdone_sftena Configure repair done for PD_RKVDEC0 by software. 1'b0: Inactive 1'b1: Active
6	RW	0x0	pd_venc1_pdgdone_sftena Configure repair done for PD_VENC1 by software. 1'b0: Inactive 1'b1: Active

Bit	Attr	Reset Value	Description
5	RW	0x0	pd_venc0_pdgdone_sftena Configure repair done for PD_VENC0 by software. 1'b0: Inactive 1'b1: Active
4	RW	0x0	pd_npu2_pdgdone_sftena Configure repair done for PD_NPU2 by software. 1'b0: Inactive 1'b1: Active
3	RW	0x0	pd_npu1_pdgdone_sftena Configure repair done for PD_NPU1 by software. 1'b0: Inactive 1'b1: Active
2	RW	0x0	pd_nputop_pdgdone_sftena Configure repair done for PD_NPUTOP by software. 1'b0: Inactive 1'b1: Active
1	RW	0x0	pd_gpu_pdgdone_sftena Configure repair done for VD_GPU by software. 1'b0: Inactive 1'b1: Active
0	RW	0x0	pd_pmu1_pdgdone_sftena Configure repair done for PD_PMU1 by software. 1'b0: Inactive 1'b1: Active

**PMU BISR CONS**

Address: Operational Base + offset (0x8220)

Bit	Attr	Reset Value	Description
31:16	WO	0x0000	write_enable Write enable for lower 16 bits, each bit is individual. 1'b0: Write access disable 1'b1: Write access enable
15	RW	0x0	pd_bus_pdgdone_sftena Configure repair done for PD_BUS by software. 1'b0: Inactive 1'b1: Active
14	RW	0x0	pd_ddr23_pdgdone_sftena Configure repair done for VD_DDR23 by software. 1'b0: Inactive 1'b1: Active
13	RW	0x0	pd_ddr01_pdgdone_sftena Configure repair done for VD_DDR01 by software. 1'b0: Inactive 1'b1: Active
12	RW	0x0	pd_center_pdgdone_sftena Configure repair done for PD_CENTER by software. 1'b0: Inactive 1'b1: Active
11	RW	0x0	pd_crypto_pdgdone_sftena Configure repair done for PD_CRYPTO by software. 1'b0: Inactive 1'b1: Active

Bit	Attr	Reset Value	Description
10	RW	0x0	pd_sdmmc_pdgdone_sftena Configure repair done for PD_SDMMC by software. 1'b0: Inactive 1'b1: Active
9	RW	0x0	pd_usb_pdgdone_sftena Configure repair done for PD_USB by software. 1'b0: Inactive 1'b1: Active
8	RW	0x0	pd_sdio_pdgdone_sftena Configure repair done for PD_SDIO by software. 1'b0: Inactive 1'b1: Active
7	RW	0x0	pd_nvm0_pdgdone_sftena Configure repair done for PD_NVM0 by software. 1'b0: Inactive 1'b1: Active
6	RW	0x0	pd_pcie_pdgdone_sftena Configure repair done for PD_PCIE by software. 1'b0: Inactive 1'b1: Active
5	RW	0x0	pd_gmac_pdgdone_sftena Configure repair done for PD_GMAC by software. 1'b0: Inactive 1'b1: Active
4	RW	0x0	pd_php_pdgdone_sftena Configure repair done for PD_PHP by software. 1'b0: Inactive 1'b1: Active
3	RW	0x0	pd_audio_pdgdone_sftena Configure repair done for PD_AUDIO by software. 1'b0: Inactive 1'b1: Active
2	RW	0x0	pd_vo1_pdgdone_sftena Configure repair done for PD_VO1 by software. 1'b0: Inactive 1'b1: Active
1	RW	0x0	pd_vo0_pdgdone_sftena Configure repair done for PD_VO0 by software. 1'b0: Inactive 1'b1: Active
0	RW	0x0	pd_vop_pdgdone_sftena Active repair PD_VOP by software. 1'b0: Inactive 1'b1: Active

**PMU BISR CON9**

Address: Operational Base + offset (0x8224)

Bit	Attr	Reset Value	Description
31:16	WO	0x0000	write_enable Write enable for lower 16 bits, each bit is individual. 1'b0: Write access disable 1'b1: Write access enable

Bit	Attr	Reset Value	Description
15	RW	0x0	pd_vopesmart_pdgdone_sftena Configure repair done for PD_VOPESMART by software. 1'b0: Inactive 1'b1: Active
14	RW	0x0	pd_vopdsc4k_pdgdone_sftena Configure repair done for PD_VOPDSC4K by software. 1'b0: Inactive 1'b1: Active
13	RW	0x0	pd_vopdsc8k_pdgdone_sftena Configure repair done for PD_VOPDSC8K by software. 1'b0: Inactive 1'b1: Active
12	RW	0x0	pd_vopcluster3_pdgdone_sftena Configure repair done for PD_VOPCLUSTER3 by software. 1'b0: Inactive 1'b1: Active
11	RW	0x0	pd_vopcluster2_pdgdone_sftena Configure repair done for PD_VOPCLUSTER2 by software. 1'b0: Inactive 1'b1: Active
10	RW	0x0	pd_vopcluster1_pdgdone_sftena Configure repair done for PD_VOPCLUSTER1 by software. 1'b0: Inactive 1'b1: Active
9	RW	0x0	pd_vopcluster0_pdgdone_sftena Configure repair done for PD_VOPCLUSTER0 by software. 1'b0: Inactive 1'b1: Active
8	RW	0x0	pd_cpu0_pdgdone_sftena Configure repair done for PD_CPU0 by software. 1'b0: Inactive 1'b1: Active
7	RW	0x0	pd_cpu1_pdgdone_sftena Configure repair done for PD_CPU1 by software. 1'b0: Inactive 1'b1: Active
6	RW	0x0	pd_cpu2_pdgdone_sftena Configure repair done for PD_CPU2 by software. 1'b0: Inactive 1'b1: Active
5	RW	0x0	pd_cpu3_pdgdone_sftena Configure repair done for PD_CPU3 by software. 1'b0: Inactive 1'b1: Active
4	RW	0x0	pd_cpu4_pdgdone_sftena Configure repair done for PD_CPU4 by software. 1'b0: Inactive 1'b1: Active
3	RW	0x0	pd_cpu5_pdgdone_sftena Configure repair done for PD_CPU5 by software. 1'b0: Inactive 1'b1: Active



Bit	Attr	Reset Value	Description
2	RW	0x0	pd_cpu6_pdgdone_sftena Configure repair done for PD_CPU6 by software. 1'b0: Inactive 1'b1: Active
1	RW	0x0	pd_cpu7_pdgdone_sftena Configure repair done for PD_CPU7 by software. 1'b0: Inactive 1'b1: Active
0	RW	0x0	pd_dsu_pdgdone_sftena Configure repair done for PD_DSU by software. 1'b0: Inactive 1'b1: Active

**PMU BISR CON10**

Address: Operational Base + offset (0x8228)

Bit	Attr	Reset Value	Description
31:16	WO	0x0000	write_enable Write Inactive for lower 16 bits, each bit is individual. 1'b0: Write access Active 1'b1: Write access Inactive
15	RW	0x0	pd_rga31_initrstn_sftena Configure initial reset for PD_RGA31 by software. 1'b0: Active 1'b1: Inactive
14	RW	0x0	pd_isp1_initrstn_sftena Configure initial reset for PD_ISP1 by software. 1'b0: Active 1'b1: Inactive
13	RW	0x0	pd_fec_initrstn_sftena Configure initial reset for PD_FEC by software. 1'b0: Active 1'b1: Inactive
12	RW	0x0	pd_vi_initrstn_sftena Configure initial reset for PD_VI by software. 1'b0: Active 1'b1: Inactive
11	RW	0x0	pd_av1_initrstn_sftena Configure initial reset for PD_AV1 by software. 1'b0: Active 1'b1: Inactive
10	RW	0x0	pd_rga30_initrstn_sftena Configure initial reset for PD_RGA30 by software. 1'b0: Active 1'b1: Inactive
9	RW	0x0	pd_vdpu_initrstn_sftena Configure initial reset for PD_VDPU by software. 1'b0: Active 1'b1: Inactive
8	RW	0x0	pd_rkvdec1_initrstn_sftena Configure initial reset for PD_RKVDEC1 by software. 1'b0: Active 1'b1: Inactive

Bit	Attr	Reset Value	Description
7	RW	0x0	pd_rkvdec0_initrstn_sftena Configure initial reset for PD_RKVDEC0 by software. 1'b0: Active 1'b1: Inactive
6	RW	0x0	pd_venc1_initrstn_sftena Configure initial reset for PD_VENC1 by software. 1'b0: Active 1'b1: Inactive
5	RW	0x0	pd_venc0_initrstn_sftena Configure initial reset for PD_VENC0 by software. 1'b0: Active 1'b1: Inactive
4	RW	0x0	pd_npu2_initrstn_sftena Configure initial reset for PD_NPU2 by software. 1'b0: Active 1'b1: Inactive
3	RW	0x0	pd_npu1_initrstn_sftena Configure initial reset for PD_NPU1 by software. 1'b0: Active 1'b1: Inactive
2	RW	0x0	pd_nputop_initrstn_sftena Configure initial reset for PD_NPUTOP by software. 1'b0: Active 1'b1: Inactive
1	RW	0x0	pd_gpu_initrstn_sftena Configure initial reset for PD_PMU1 by software. 1'b0: Active 1'b1: Inactive
0	RW	0x0	pd_pmu1_initrstn_sftena Configure initial reset for PD_PMU1 by software. 1'b0: Active 1'b1: Inactive

**PMU BISR CON11**

Address: Operational Base + offset (0x822C)

Bit	Attr	Reset Value	Description
31:16	WO	0x0000	write_enable Write Inactive for lower 16 bits, each bit is individual. 1'b0: Write access Active 1'b1: Write access Inactive
15	RW	0x0	pd_bus_initrstn_sftena Configure initial reset for PD_BUS by software. 1'b0: Active 1'b1: Inactive
14	RW	0x0	pd_ddr23_initrstn_sftena Configure initial reset for VD_DDR23 by software. 1'b0: Active 1'b1: Inactive
13	RW	0x0	pd_ddr01_initrstn_sftena Configure initial reset for VD_DDR01 by software. 1'b0: Active 1'b1: Inactive

Bit	Attr	Reset Value	Description
12	RW	0x0	pd_center_initrstn_sftena Configure initial reset for PD_CENTER by software. 1'b0: Active 1'b1: Inactive
11	RW	0x0	pd_crypto_initrstn_sftena Configure initial reset for PD_CRYPT0 by software. 1'b0: Active 1'b1: Inactive
10	RW	0x0	pd_sdmmc_initrstn_sftena Configure initial reset for PD_SDMMC by software. 1'b0: Active 1'b1: Inactive
9	RW	0x0	pd_usb_initrstn_sftena Configure initial reset for PD_USB by software. 1'b0: Active 1'b1: Inactive
8	RW	0x0	pd_sdio_initrstn_sftena Configure initial reset for PD_SDIO by software. 1'b0: Active 1'b1: Inactive
7	RW	0x0	pd_nvm0_initrstn_sftena Configure initial reset for PD_NVM0 by software. 1'b0: Active 1'b1: Inactive
6	RW	0x0	pd_pcie_initrstn_sftena Configure initial reset for PD_PCIE by software. 1'b0: Active 1'b1: Inactive
5	RW	0x0	pd_gmac_initrstn_sftena Configure initial reset for PD_GMAC by software. 1'b0: Active 1'b1: Inactive
4	RW	0x0	pd_php_initrstn_sftena Configure initial reset for PD_PHP by software. 1'b0: Active 1'b1: Inactive
3	RW	0x0	pd_audio_initrstn_sftena Configure initial reset for PD_AUDIO by software. 1'b0: Active 1'b1: Inactive
2	RW	0x0	pd_vo1_initrstn_sftena Configure initial reset for PD_VO1 by software. 1'b0: Active 1'b1: Inactive
1	RW	0x0	pd_vo0_initrstn_sftena Configure initial reset for PD_VO0 by software. 1'b0: Active 1'b1: Inactive
0	RW	0x0	pd_vop_initrstn_sftena Configure initial reset for PD_VOP by software. 1'b0: Active 1'b1: Inactive

**PMU BISR CON12**

Address: Operational Base + offset (0x8230)

Bit	Attr	Reset Value	Description
31:16	WO	0x0000	write_enable Write enable for lower 16 bits, each bit is individual. 1'b0: Write access disable 1'b1: Write access enable
15	RW	0x0	pd_vopesmart_initrstn_sftena Configure initial reset for PD_VOPESMART by software. 1'b0: Active 1'b1: Inactive
14	RW	0x0	pd_vopdsc4k_initrstn_sftena Configure initial reset for PD_VOPDSC4K by software. 1'b0: Active 1'b1: Inactive
13	RW	0x0	pd_vopdsc8k_initrstn_sftena Configure initial reset for PD_VOPDSC8K by software. 1'b0: Active 1'b1: Inactive
12	RW	0x0	pd_vopcluster3_initrstn_sftena Configure initial reset for PD_VOPCLUSTER3 by software. 1'b0: Active 1'b1: Inactive
11	RW	0x0	pd_vopcluster2_initrstn_sftena Configure initial reset for PD_VOPCLUSTER2 by software. 1'b0: Active 1'b1: Inactive
10	RW	0x0	pd_vopcluster1_initrstn_sftena Configure initial reset for PD_VOPCLUSTER1 by software. 1'b0: Active 1'b1: Inactive
9	RW	0x0	pd_vopcluster0_initrstn_sftena Configure initial reset for PD_VOPCLUSTER0 by software. 1'b0: Active 1'b1: Inactive
8	RW	0x0	pd_cpu0_initrstn_sftena Configure initial reset for PD_CPU0 by software. 1'b0: Active 1'b1: Inactive
7	RW	0x0	pd_cpu1_initrstn_sftena Configure initial reset for PD_CPU1 by software. 1'b0: Active 1'b1: Inactive
6	RW	0x0	pd_cpu2_initrstn_sftena Configure initial reset for PD_CPU2 by software. 1'b0: Active 1'b1: Inactive
5	RW	0x0	pd_cpu3_initrstn_sftena Configure initial reset for PD_CPU3 by software. 1'b0: Active 1'b1: Inactive
4	RW	0x0	pd_cpu4_initrstn_sftena Configure initial reset for PD_CPU4 by software. 1'b0: Active 1'b1: Inactive

Bit	Attr	Reset Value	Description
3	RW	0x0	pd_cpu5_initrstn_sftena Configure initial reset for PD_CPU5 by software. 1'b0: Active 1'b1: Inactive
2	RW	0x0	pd_cpu6_initrstn_sftena Configure initial reset for PD_CPU6 by software. 1'b0: Active 1'b1: Inactive
1	RW	0x0	pd_cpu7_initrstn_sftena Configure initial reset for PD_CPU7 by software. 1'b0: Active 1'b1: Inactive
0	RW	0x0	pd_dsu_initrstn_sftena Configure initial reset for PD_DSU by software. 1'b0: Active 1'b1: Inactive

**PMU BISR CON13**

Address: Operational Base + offset (0x8234)

Bit	Attr	Reset Value	Description
31:16	WO	0x0000	write_enable Write enable for lower 16 bits, each bit is individual. 1'b0: Write access disable 1'b1: Write access enable
15:14	RO	0x0	reserved
13	RW	0x0	pciephy_initrstn_sftena Configure repair initial reset for PCIEPHY by software. 1'b0: Active 1'b1: Inactive
12	RW	0x0	hdmirxphy_initrstn_sftena Configure repair initial reset for HDMIRXPHY by software. 1'b0: Active 1'b1: Inactive
11:10	RO	0x0	reserved
9	RW	0x0	pciephy_pdgdone_sftena Configure repair done for PCIEPHY by software. 1'b0: Inactive 1'b1: Active
8	RW	0x0	hdmirxphy_pdgdone_sftena Configure repair done for HDMIRXPHY by software. 1'b0: Inactive 1'b1: Active
7:6	RO	0x0	reserved
5	RW	0x0	pciephy_repair_sftena Enable memory repair for PCIEPHY by software. 1'b0: Disable 1'b1: Enable
4	RW	0x0	hdmirxphy_repair_sftena Enable memory repair for HDMIRXPHY by software. 1'b0: Disable 1'b1: Enable
3:2	RO	0x0	reserved

Bit	Attr	Reset Value	Description
1	RW	0x1	pciephy_repair_ena Enable memory repair for PCIEPHY by hardware. 1'b0: Disable 1'b1: Enable
0	RW	0x1	hdmirxphy_repair_ena Enable memory repair for HDMIRXPHY by hardware. 1'b0: Disable 1'b1: Enable

**PMU BISR CON14**

Address: Operational Base + offset (0x8238)

Bit	Attr	Reset Value	Description
31:0	RW	0xffffffff	bisr_timeout_cnt BISR timeout count for PDGDone. Number of repair clock used by counter logic.

**PMU BISR STS0**

Address: Operational Base + offset (0x8280)

Bit	Attr	Reset Value	Description
31	RO	0x0	pd_bus_dwn_pdgdone PDGDone status for PD_BUS repair. 1'b0: Repair not complete 1'b1: Repair complete
30	RO	0x0	pd_ddr23_dwn_pdgdone PDGDone status for VD_DDR23 repair. 1'b0: Repair not complete 1'b1: Repair complete
29	RO	0x0	pd_ddr01_dwn_pdgdone PDGDone status for VD_DDR01 repair. 1'b0: Repair not complete 1'b1: Repair complete
28	RO	0x0	pd_center_dwn_pdgdone PDGDone status for PD_CENTER repair. 1'b0: Repair not complete 1'b1: Repair complete
27	RO	0x0	pd_crypto_dwn_pdgdone PDGDone status for PD_CRYPT0 repair. 1'b0: Repair not complete 1'b1: Repair complete
26	RO	0x0	pd_sdmmc_dwn_pdgdone PDGDone status for PD_SDMMC repair. 1'b0: Repair not complete 1'b1: Repair complete
25	RO	0x0	pd_usb_dwn_pdgdone PDGDone status for PD_USB repair. 1'b0: Repair not complete 1'b1: Repair complete
24	RO	0x0	pd_sdio_dwn_pdgdone PDGDone status for PD_SDIO repair. 1'b0: Repair not complete 1'b1: Repair complete
23	RO	0x0	pd_nvm0_dwn_pdgdone PDGDone status for PD_NVM0 repair. 1'b0: Repair not complete 1'b1: Repair complete

Bit	Attr	Reset Value	Description
22	RO	0x0	pd_pcie_dwn_pdgdone PDGDone status for PD_PCIE repair. 1'b0: Repair not complete 1'b1: Repair complete
21	RO	0x0	pd_gmac_dwn_pdgdone PDGDone status for PD_GMAC repair. 1'b0: Repair not complete 1'b1: Repair complete
20	RO	0x0	pd_php_dwn_pdgdone PDGDone status for PD_PHP repair. 1'b0: Repair not complete 1'b1: Repair complete
19	RO	0x0	pd_audio_dwn_pdgdone PDGDone status for PD_AUDIO repair. 1'b0: Repair not complete 1'b1: Repair complete
18	RO	0x0	pd_vo1_dwn_pdgdone PDGDone status for PD_VO1 repair. 1'b0: Repair not complete 1'b1: Repair complete
17	RO	0x0	pd_vo0_dwn_pdgdone PDGDone status for PD_VO0 repair. 1'b0: Repair not complete 1'b1: Repair complete
16	RO	0x0	pd_vop_dwn_pdgdone PDGDone status for PD_VOP repair. 1'b0: Repair not complete 1'b1: Repair complete
15	RO	0x0	pd_rga31_dwn_pdgdone PDGDone status for PD_RGA31 repair. 1'b0: Repair not complete 1'b1: Repair complete
14	RO	0x0	pd_isp1_dwn_pdgdone PDGDone status for PD_ISP1 repair. 1'b0: Repair not complete 1'b1: Repair complete
13	RO	0x0	pd_fec_dwn_pdgdone PDGDone status for PD_FEC repair. 1'b0: Repair not complete 1'b1: Repair complete
12	RO	0x0	pd_vi_dwn_pdgdone PDGDone status for PD_VI repair. 1'b0: Repair not complete 1'b1: Repair complete
11	RO	0x0	pd_av1_dwn_pdgdone PDGDone status for PD_AV1 repair. 1'b0: Repair not complete 1'b1: Repair complete
10	RO	0x0	pd_rga30_dwn_pdgdone PDGDone status for PD_RGA30 repair. 1'b0: Repair not complete 1'b1: Repair complete

Bit	Attr	Reset Value	Description
9	RO	0x0	pd_vdpu_dwn_pdgdone PDGDone status for PD_VDPU repair. 1'b0: Repair not complete 1'b1: Repair complete
8	RO	0x0	pd_rkvdec1_dwn_pdgdone PDGDone status for PD_RKVDEC1 repair. 1'b0: Repair not complete 1'b1: Repair complete
7	RO	0x0	pd_rkvdec0_dwn_pdgdone PDGDone status for PD_RKVDEC0 repair. 1'b0: Repair not complete 1'b1: Repair complete
6	RO	0x0	pd_venc1_dwn_pdgdone PDGDone status for PD_VENC1 repair. 1'b0: Repair not complete 1'b1: Repair complete
5	RO	0x0	pd_venc0_dwn_pdgdone PDGDone status for PD_VENC0 repair. 1'b0: Repair not complete 1'b1: Repair complete
4	RO	0x0	pd_npu2_dwn_pdgdone PDGDone status for PD_NPU2 repair. 1'b0: Repair not complete 1'b1: Repair complete
3	RO	0x0	pd_npu1_dwn_pdgdone PDGDone status for PD_NPU1 repair. 1'b0: Repair not complete 1'b1: Repair complete
2	RO	0x0	pd_nputop_dwn_pdgdone PDGDone status for PD_NPUTOP repair. 1'b0: Repair not complete 1'b1: Repair complete
1	RO	0x0	pd_gpu_bisr_pdgdone PDGDone status for VD_GPU repair. 1'b0: Repair not complete 1'b1: Repair complete
0	RO	0x0	pd_pmu1_repair_pdgdone PDGDone status for PD_PMU1 repair. 1'b0: Repair not complete 1'b1: Repair complete

**PMU BISR STS1**

Address: Operational Base + offset (0x8284)

Bit	Attr	Reset Value	Description
31:18	RO	0x0000	reserved
17	RO	0x0	pciephy_repair_pdgdone PDGDone status for PCIEPHY repair. 1'b0: Repair not complete 1'b1: Repair complete
16	RO	0x0	hdmirxphy_repair_pdgdone PDGDone status for HDMIRXPHY repair. 1'b0: Repair not complete 1'b1: Repair complete



Bit	Attr	Reset Value	Description
15	RO	0x0	pd_vopesmart_repair_pdgdone PDGDone status for PD_VOPESMAKRT repair. 1'b0: Repair not complete 1'b1: Repair complete
14	RO	0x0	pd_vopdsc4k_repair_pdgdone PDGDone status for PD_VOPDSC4K repair. 1'b0: Repair not complete 1'b1: Repair complete
13	RO	0x0	pd_vopdsc8k_repair_pdgdone PDGDone status for PD_VOPDSC8K repair. 1'b0: Repair not complete 1'b1: Repair complete
12	RO	0x0	pd_vopcluster3_repair_pdgdone PDGDone status for PD_VOPCLUSTER3 repair. 1'b0: Repair not complete 1'b1: Repair complete
11	RO	0x0	pd_vopcluster2_repair_pdgdone PDGDone status for PD_VOPCLUSTER2 repair. 1'b0: Repair not complete 1'b1: Repair complete
10	RO	0x0	pd_vopcluster1_repair_pdgdone PDGDone status for PD_VOPCLUSTER1 repair. 1'b0: Repair not complete 1'b1: Repair complete
9	RO	0x0	pd_vopcluster0_repair_pdgdone PDGDone status for PD_VOPCLUSTER0 repair. 1'b0: Repair not complete 1'b1: Repair complete
8	RO	0x0	pd_cpu0_repair_pdgdone PDGDone status for PD_CPU0 repair. 1'b0: Repair not complete 1'b1: Repair complete
7	RO	0x0	pd_cpu1_repair_pdgdone PDGDone status for PD_CPU1 repair. 1'b0: Repair not complete 1'b1: Repair complete
6	RO	0x0	pd_cpu2_repair_pdgdone PDGDone status for PD_CPU3 repair. 1'b0: Repair not complete 1'b1: Repair complete
5	RO	0x0	pd_cpu3_repair_pdgdone PDGDone status for PD_CPU3 repair. 1'b0: Repair not complete 1'b1: Repair complete
4	RO	0x0	pd_cpu4_repair_pdgdone PDGDone status for PD_CPU4 repair. 1'b0: Repair not complete 1'b1: Repair complete
3	RO	0x0	pd_cpu5_repair_pdgdone PDGDone status for PD_CPU5 repair. 1'b0: Repair not complete 1'b1: Repair complete

Bit	Attr	Reset Value	Description
2	RO	0x0	pd_cpu6_repair_pdgdone PDGDone status for PD_CPU6 repair. 1'b0: Repair not complete 1'b1: Repair complete
1	RO	0x0	pd_cpu7_repair_pdgdone PDGDone status for PD_CPU7 repair. 1'b0: Repair not complete 1'b1: Repair complete
0	RO	0x0	pd_dsu_repair_pdgdone PDGDone status for PD_DSU repair. 1'b0: Repair not complete 1'b1: Repair complete

**PMU BISR STS2**

Address: Operational Base + offset (0x8288)

Bit	Attr	Reset Value	Description
31	RO	0x0	pd_bus_repair_cedis CEDis status for PD_BUS repair. 1'b0: Repair ready 1'b1: Repair busy
30	RO	0x0	pd_ddr23_repair_cedis CEDis status for VD_DDR23 repair. 1'b0: Repair ready 1'b1: Repair busy
29	RO	0x0	pd_ddr01_repair_cedis CEDis status for VD_DDR01 repair. 1'b0: Repair ready 1'b1: Repair busy
28	RO	0x0	pd_center_repair_cedis CEDis status for PD_CENTER repair. 1'b0: Repair ready 1'b1: Repair busy
27	RO	0x0	pd_crypto_repair_cedis CEDis status for PD_CRYPTO repair. 1'b0: Repair ready 1'b1: Repair busy
26	RO	0x0	pd_sdmmc_repair_cedis CEDis status for PD_SDMMC repair. 1'b0: Repair ready 1'b1: Repair busy
25	RO	0x0	pd_usb_repair_cedis CEDis status for PD_USB repair. 1'b0: Repair ready 1'b1: Repair busy
24	RO	0x0	pd_sdio_repair_cedis CEDis status for PD_SDIO repair. 1'b0: Repair ready 1'b1: Repair busy
23	RO	0x0	pd_nvme0_repair_cedis CEDis status for PD_NVME0 repair. 1'b0: Repair ready 1'b1: Repair busy

Bit	Attr	Reset Value	Description
22	RO	0x0	pd_pcie_repair_cedis CEDis status for PD_PCIE repair. 1'b0: Repair ready 1'b1: Repair busy
21	RO	0x0	pd_gmac_repair_cedis CEDis status for PD_GMAC repair. 1'b0: Repair ready 1'b1: Repair busy
20	RO	0x0	pd_php_repair_cedis CEDis status for PD_PHP repair. 1'b0: Repair ready 1'b1: Repair busy
19	RO	0x0	pd_audio_repair_cedis CEDis status for PD_AUDIO repair. 1'b0: Repair ready 1'b1: Repair busy
18	RO	0x0	pd_vo1_repair_cedis CEDis status for PD_VO1 repair. 1'b0: Repair ready 1'b1: Repair busy
17	RO	0x0	pd_vo0_repair_cedis CEDis status for PD_VO0 repair. 1'b0: Repair ready 1'b1: Repair busy
16	RO	0x0	pd_vop_repair_cedis CEDis status for PD_VOP repair. 1'b0: Repair ready 1'b1: Repair busy
15	RO	0x0	pd_rga31_repair_cedis CEDis status for PD_RGA31 repair. 1'b0: Repair ready 1'b1: Repair busy
14	RO	0x0	pd_isp1_repair_cedis CEDis status for PD_ISP1 repair. 1'b0: Repair ready 1'b1: Repair busy
13	RO	0x0	pd_fec_repair_cedis CEDis status for PD_FEC repair. 1'b0: Repair ready 1'b1: Repair busy
12	RO	0x0	pd_vi_repair_cedis CEDis status for PD_VI repair. 1'b0: Repair ready 1'b1: Repair busy
11	RO	0x0	pd_av1_repair_cedis CEDis status for PD_AV1 repair. 1'b0: Repair ready 1'b1: Repair busy
10	RO	0x0	pd_rga30_repair_cedis CEDis status for PD_RGA30 repair. 1'b0: Repair ready 1'b1: Repair busy

Bit	Attr	Reset Value	Description
9	RO	0x0	pd_vdpu_repair_cedis CEDis status for PD_VDPU repair. 1'b0: Repair ready 1'b1: Repair busy
8	RO	0x0	pd_rkvdec1_repair_cedis CEDis status for PD_RKVDEC1 repair. 1'b0: Repair ready 1'b1: Repair busy
7	RO	0x0	pd_rkvdec0_repair_cedis CEDis status for PD_RKVDEC0 repair. 1'b0: Repair ready 1'b1: Repair busy
6	RO	0x0	pd_venc1_repair_cedis CEDis status for PD_VENC1 repair. 1'b0: Repair ready 1'b1: Repair busy
5	RO	0x0	pd_venc0_repair_cedis CEDis status for PD_VENC0 repair. 1'b0: Repair ready 1'b1: Repair busy
4	RO	0x0	pd_npu2_repair_cedis CEDis status for PD_NPU2 repair. 1'b0: Repair ready 1'b1: Repair busy
3	RO	0x0	pd_npu1_repair_cedis CEDis status for PD_NPU1 repair. 1'b0: Repair ready 1'b1: Repair busy
2	RO	0x0	pd_nputop_repair_cedis CEDis status for PD_NPUTOP repair. 1'b0: Repair ready 1'b1: Repair busy
1	RO	0x0	pd_gpu_bisr_cedis CEDis status for VD_GPU repair. 1'b0: Repair ready 1'b1: Repair busy
0	RO	0x0	pd_pmu1_repair_cedis CEDis status for PD_PMU1 repair. 1'b0: Repair ready 1'b1: Repair busy

**PMU BISR STS3**

Address: Operational Base + offset (0x828C)

Bit	Attr	Reset Value	Description
31:18	RO	0x0000	reserved
17	RO	0x0	pciephy_repair_cedis CEDis status for PCIEPHY repair. 1'b0: Repair ready 1'b1: Repair busy
16	RO	0x0	hdmirxphy_repair_cedis CEDis status for HDMIRXPHY repair. 1'b0: Repair ready 1'b1: Repair busy

Bit	Attr	Reset Value	Description
15	RO	0x0	pd_vopesmart_repair_cedis CEDis status for PD_VOPESMAKRT repair. 1'b0: Repair ready 1'b1: Repair busy
14	RO	0x0	pd_vopdsc4k_repair_cedis CEDis status for PD_VOPDSC4K repair. 1'b0: Repair ready 1'b1: Repair busy
13	RO	0x0	pd_vopdsc8k_repair_cedis CEDis status for PD_VOPDSC8K repair. 1'b0: Repair ready 1'b1: Repair busy
12	RO	0x0	pd_vopcluster3_repair_cedis CEDis status for PD_VOPCLUSTER3 repair. 1'b0: Repair ready 1'b1: Repair busy
11	RO	0x0	pd_vopcluster2_repair_cedis CEDis status for PD_VOPCLUSTER2 repair. 1'b0: Repair ready 1'b1: Repair busy
10	RO	0x0	pd_vopcluster1_repair_cedis CEDis status for PD_VOPCLUSTER1 repair. 1'b0: Repair ready 1'b1: Repair busy
9	RO	0x0	pd_vopcluster0_repair_cedis CEDis status for PD_VOPCLUSTER0 repair. 1'b0: Repair ready 1'b1: Repair busy
8	RO	0x0	pd_cpu0_repair_cedis CEDis status for PD_CPU0 repair. 1'b0: Repair ready 1'b1: Repair busy
7	RO	0x0	pd_cpu1_repair_cedis CEDis status for PD_CPU1 repair. 1'b0: Repair ready 1'b1: Repair busy
6	RO	0x0	pd_cpu2_repair_cedis CEDis status for PD_CPU3 repair. 1'b0: Repair ready 1'b1: Repair busy
5	RO	0x0	pd_cpu3_repair_cedis CEDis status for PD_CPU3 repair. 1'b0: Repair ready 1'b1: Repair busy
4	RO	0x0	pd_cpu4_repair_cedis CEDis status for PD_CPU4 repair. 1'b0: Repair ready 1'b1: Repair busy
3	RO	0x0	pd_cpu5_repair_cedis CEDis status for PD_CPU5 repair. 1'b0: Repair ready 1'b1: Repair busy

Bit	Attr	Reset Value	Description
2	RO	0x0	pd_cpu6_repair_cedis CEDis status for PD_CPU6 repair. 1'b0: Repair ready 1'b1: Repair busy
1	RO	0x0	pd_cpu7_repair_cedis CEDis status for PD_CPU7 repair. 1'b0: Repair ready 1'b1: Repair busy
0	RO	0x0	pd_dsu_repair_cedis CEDis status for PD_DSU repair. 1'b0: Repair ready 1'b1: Repair busy

**PMU BISR STS4**

Address: Operational Base + offset (0x8290)

Bit	Attr	Reset Value	Description
31	RO	0x0	pd_bus_dwn_pwr_repair_stat Power and repair status for PD_BUS repair. 1'b0: Power down or repair not complete 1'b1: Power up and repair complete
30	RO	0x0	pd_ddr23_dwn_pwr_repair_stat Power and repair status for VD_DDR23 repair. 1'b0: Power down or repair not complete 1'b1: Power up and repair complete
29	RO	0x0	pd_ddr01_dwn_pwr_repair_stat Power and repair status for VD_DDR01 repair. 1'b0: Power down or repair not complete 1'b1: Power up and repair complete
28	RO	0x0	pd_center_dwn_pwr_repair_stat Power and repair status for PD_CENTER repair. 1'b0: Power down or repair not complete 1'b1: Power up and repair complete
27	RO	0x0	pd_crypto_dwn_pwr_repair_stat Power and repair status for PD_CRYPTTO repair. 1'b0: Power down or repair not complete 1'b1: Power up and repair complete
26	RO	0x0	pd_sdmmc_dwn_pwr_repair_stat Power and repair status for PD_SDMMC repair. 1'b0: Power down or repair not complete 1'b1: Power up and repair complete
25	RO	0x0	pd_usb_dwn_pwr_repair_stat Power and repair status for PD_USB repair. 1'b0: Power down or repair not complete 1'b1: Power up and repair complete
24	RO	0x0	pd_sdio_dwn_pwr_repair_stat Power and repair status for PD_SDIO repair. 1'b0: Power down or repair not complete 1'b1: Power up and repair complete
23	RO	0x0	pd_nvme0_dwn_pwr_repair_stat Power and repair status for PD_NVME0 repair. 1'b0: Power down or repair not complete 1'b1: Power up and repair complete

Bit	Attr	Reset Value	Description
22	RO	0x0	pd_pcie_dwn_pwr_repair_stat Power and repair status for PD_PCIE repair. 1'b0: Power down or repair not complete 1'b1: Power up and repair complete
21	RO	0x0	pd_gmac_dwn_pwr_repair_stat Power and repair status for PD_GMAC repair. 1'b0: Power down or repair not complete 1'b1: Power up and repair complete
20	RO	0x0	pd_php_dwn_pwr_repair_stat Power and repair status for PD_PHP repair. 1'b0: Power down or repair not complete 1'b1: Power up and repair complete
19	RO	0x0	pd_audio_dwn_pwr_repair_stat Power and repair status for PD_AUDIO repair. 1'b0: Power down or repair not complete 1'b1: Power up and repair complete
18	RO	0x0	pd_vo1_dwn_pwr_repair_stat Power and repair status for PD_VO1 repair. 1'b0: Power down or repair not complete 1'b1: Power up and repair complete
17	RO	0x0	pd_vo0_dwn_pwr_repair_stat Power and repair status for PD_VO0 repair. 1'b0: Power down or repair not complete 1'b1: Power up and repair complete
16	RO	0x0	pd_vop_dwn_pwr_repair_stat Power and repair status for PD_VOP repair. 1'b0: Power down or repair not complete 1'b1: Power up and repair complete
15	RO	0x0	pd_rga31_dwn_pwr_repair_stat Power and repair status for PD_RGA31 repair. 1'b0: Power down or repair not complete 1'b1: Power up and repair complete
14	RO	0x0	pd_isp1_dwn_pwr_repair_stat Power and repair status for PD_ISP1 repair. 1'b0: Power down or repair not complete 1'b1: Power up and repair complete
13	RO	0x0	pd_fec_dwn_pwr_repair_stat Power and repair status for PD_FEC repair. 1'b0: Power down or repair not complete 1'b1: Power up and repair complete
12	RO	0x0	pd_vi_dwn_pwr_repair_stat Power and repair status for PD_VI repair. 1'b0: Power down or repair not complete 1'b1: Power up and repair complete
11	RO	0x0	pd_av1_dwn_pwr_repair_stat Power and repair status for PD_AV1 repair. 1'b0: Power down or repair not complete 1'b1: Power up and repair complete
10	RO	0x0	pd_rga30_dwn_pwr_repair_stat Power and repair status for PD_RGA30 repair. 1'b0: Power down or repair not complete 1'b1: Power up and repair complete

Bit	Attr	Reset Value	Description
9	RO	0x0	pd_vdpu_dwn_pwr_repair_stat Power and repair status for PD_VDPU repair. 1'b0: Power down or repair not complete 1'b1: Power up and repair complete
8	RO	0x0	pd_rkvdec1_dwn_pwr_repair_stat Power and repair status for PD_RKVDEC1 repair. 1'b0: Power down or repair not complete 1'b1: Power up and repair complete
7	RO	0x0	pd_rkvdec0_dwn_pwr_repair_stat Power and repair status for PD_RKVDEC0 repair. 1'b0: Power down or repair not complete 1'b1: Power up and repair complete
6	RO	0x0	pd_venc1_dwn_pwr_repair_stat Power and repair status for PD_VENC1 repair. 1'b0: Power down or repair not complete 1'b1: Power up and repair complete
5	RO	0x0	pd_venc0_dwn_pwr_repair_stat Power and repair status for PD_VENC0 repair. 1'b0: Power down or repair not complete 1'b1: Power up and repair complete
4	RO	0x0	pd_npu2_dwn_pwr_repair_stat Power and repair status for PD_NPU2 repair. 1'b0: Power down or repair not complete 1'b1: Power up and repair complete
3	RO	0x0	pd_npu1_dwn_pwr_repair_stat Power and repair status for PD_NPU1 repair. 1'b0: Power down or repair not complete 1'b1: Power up and repair complete
2	RO	0x0	pd_nputop_dwn_pwr_repair_stat Power and repair status for PD_NPUTOP repair. 1'b0: Power down or repair not complete 1'b1: Power up and repair complete
1	RO	0x0	pd_gpu_bisr_pwr_repair_stat Power and repair status for VD_GPU repair. 1'b0: Power down or repair not complete 1'b1: Power up and repair complete
0	RO	0x0	pd_pmu1_pwr_repair_stat Power and repair status for PD_PMU1. 1'b0: Power down or repair not complete 1'b1: Power up and repair complete

**PMU BISR STS5**

Address: Operational Base + offset (0x8294)

Bit	Attr	Reset Value	Description
31:18	RO	0x0000	reserved
17	RO	0x0	pciephy_repair_pwr_repair_stat Power and repair status for PCIEPHY repair. 1'b0: Power down or repair not complete 1'b1: Power up and repair complete
16	RO	0x0	hdmirxphy_repair_pwr_repair_stat Power and repair status for HDMIRXPHY repair. 1'b0: Power down or repair not complete 1'b1: Power up and repair complete



Bit	Attr	Reset Value	Description
15	RO	0x0	pd_vopesmart_repair_pwr_repair_stat Power and repair status for PD_VOPESMAKRT repair. 1'b0: Power down or repair not complete 1'b1: Power up and repair complete
14	RO	0x0	pd_vopdsc4k_repair_pwr_repair_stat Power and repair status for PD_VOPDSC4K repair. 1'b0: Power down or repair not complete 1'b1: Power up and repair complete
13	RO	0x0	pd_vopdsc8k_repair_pwr_repair_stat Power and repair status for PD_VOPDSC8K repair. 1'b0: Power down or repair not complete 1'b1: Power up and repair complete
12	RO	0x0	pd_vopcluster3_repair_pwr_repair_stat Power and repair status for PD_VOPCLUSTER3 repair. 1'b0: Power down or repair not complete 1'b1: Power up and repair complete
11	RO	0x0	pd_vopcluster2_repair_pwr_repair_stat Power and repair status for PD_VOPCLUSTER2 repair. 1'b0: Power down or repair not complete 1'b1: Power up and repair complete
10	RO	0x0	pd_vopcluster1_repair_pwr_repair_stat Power and repair status for PD_VOPCLUSTER1 repair. 1'b0: Power down or repair not complete 1'b1: Power up and repair complete
9	RO	0x0	pd_vopcluster0_repair_pwr_repair_stat Power and repair status for PD_VOPCLUSTER0 repair. 1'b0: Power down or repair not complete 1'b1: Power up and repair complete
8	RO	0x0	pd_cpu0_repair_pwr_repair_stat Power and repair status for PD_CPU0 repair. 1'b0: Power down or repair not complete 1'b1: Power up and repair complete
7	RO	0x0	pd_cpu1_repair_pwr_repair_stat Power and repair status for PD_CPU1 repair. 1'b0: Power down or repair not complete 1'b1: Power up and repair complete
6	RO	0x0	pd_cpu2_repair_pwr_repair_stat Power and repair status for PD_CPU3 repair. 1'b0: Power down or repair not complete 1'b1: Power up and repair complete
5	RO	0x0	pd_cpu3_repair_pwr_repair_stat Power and repair status for PD_CPU3 repair. 1'b0: Power down or repair not complete 1'b1: Power up and repair complete
4	RO	0x0	pd_cpu4_repair_pwr_repair_stat Power and repair status for PD_CPU4 repair. 1'b0: Power down or repair not complete 1'b1: Power up and repair complete
3	RO	0x0	pd_cpu5_repair_pwr_repair_stat Power and repair status for PD_CPU5 repair. 1'b0: Power down or repair not complete 1'b1: Power up and repair complete

Bit	Attr	Reset Value	Description
2	RO	0x0	pd_cpu6_repair_pwr_repair_stat Power and repair status for PD_CPU6 repair. 1'b0: Power down or repair not complete 1'b1: Power up and repair complete
1	RO	0x0	pd_cpu7_repair_pwr_repair_stat Power and repair status for PD_CPU7 repair. 1'b0: Power down or repair not complete 1'b1: Power up and repair complete
0	RO	0x0	pd_dsu_repair_pwr_repair_stat Power and repair status for PD_DSU repair. 1'b0: Power down or repair not complete 1'b1: Power up and repair complete

## 7.5 Application Notes

### 7.5.1 Low Power Mode

PMU can work in power mode 1 by setting bit[0] in PMU\_PWR\_CON1 register. After setting this bit and all CPUs enter standbywfi state, PMU power mode 1 FSM will start to run. In this low power mode, PMU will manage power resources by hardware or software, such as send idle request or resume transfer to specified BIU interface, power down or power up the specified power domain, DDR enters or exits retention mode, shut down or power up PLL, disable or enable oscillator, and so on. All of above are configurable by setting corresponding registers.

PMU can work in power mode 0 by setting bit[0] in PMU\_PWR\_CON0 register. After setting this bit and PMU enters power mode 1, PMU power mode 0 FSM will start to run. In this low power mode, PMU will manage PD\_PMU1 power resource and idle request, manage DDR retention mode, VCCIO retention mode, disable oscillator, etc. All of above are configurable by setting corresponding registers.

There are similar control bits for bit[0]/[1]/[2]/[3]/[10] in PMU\_CRU\_PWR\_CON and bit[5]/[6]/[7]/[14] in PMU\_PWR\_CON0. If chip is planned to enter power mode 0, these bits in PMU\_CRU\_PWR\_CON are not need to configure since those low power flow are controlled by PMU\_PWR\_CON0.

### 7.5.2 Nested Power Domain

There are nested power domains in RK3588, denoted by red-frame and black-frame in "RK3588 Voltage Domain and Power Domain Partition": red-frame used for external power domain, black-frame used for internal power domain. For these power domains, external power domain should not be power down before internal power domain power down, external power domain should be power up before internal power domain power up. These domains are shown below.

Table 7-2 Nested Power Domain 1

Group ID	External Power Domain	Internal Power Domain
1	PD_VENC0	PD_VENC1
2	PD_NPUTOP	PD_NPU1
3		PD_NPU2
4	PD_VI	PD_ISP1
5		PD_FEC
6	PD_VDPU	PD_AV1
7		PD_RGA30
8	PD_SECURE	PD_CRYPTO
9		PD_SDMMC
10	PD_NVM	PD_NVM0
11	PD_PHP	PD_GMAC
12		PD_PCIE

Group ID	External Power Domain	Internal Power Domain
13	PD_VOP	PD_VOPCLUSTER0
14		PD_VOPDSC4K
15		PD_VOPDSC8K
16		PD_VOPESMART
17	PD_VOPCLUSTER0	PD_VOPCLUSTER1
18		PD_VOPCLUSTER2
19		PD_VOPCLUSTER3

It should be noted that the internal power domains in PD\_VOP are controlled by VOP internal registers. Moreover, if PD\_VOP is power down, both internal power domains in PD\_VOP and internal power domains in PD\_VOPCLUSTER0 are power down meanwhile. Incorrect power order may cause power leakage.

Moreover, because of the signal relationship, "Level 0 Power Domain" should be power up and corresponding BIU clock is active if any IP in "Level 1 Power Domain" want to work. Details of corresponding BIU clock please refers to CRU chapter.

Table 7-3 Nested Power Domain 2

Group ID	Level 0 Power Domain	Level 1 Power Domain
1	PD_SECURE	PD_VO1
2		PD_USB
3	PD_VDPU	PD_RKVDECO
4		PD_RKVDEC1
5	PD_NVM	PD_SDIO
6	PD_VOP	PD_VOO

### 7.5.3 Software Power Down and Power Up flow

In order to power down the power domains which are managed by software correctly, the software should obey the flow bellow.

#### 1. Software power down flow

- (1) Send BIU idle request if BIU interface exists in specific power domain that you want to power down by configure the corresponding bit in PMU\_IDLE\_SFTCON0/1/2 register. If BIU interface does not exist, skip this step;
- (2) Query PMU\_IDLE\_ACK\_STS0/1 register to wait for the corresponding BIU idle acknowledge state; Query PMU\_IDLE\_STS0/1 register to wait for the corresponding BIU in idle state. If BIU interface does not exist, skip this step;
- (3) Enable power down to the specific power domain by setting corresponding bit to 1 in PMU\_PWR\_GATE\_SFTCON0/1/2 register;
- (4) Query PMU\_PWR\_GATE\_STS0/1 register to wait for the specific power domain power down;

#### 2. Software power up without repair flow

- (1) Enable power up to the specific power domain by setting corresponding bit to 0 in PMU\_PWR\_GATE\_SFTCON0/1/2 register;
- (2) Query PMU\_PWR\_GATE\_STS0/1 register to wait for the specific power domain power up;
- (3) Send BIU resume request to the BIU in specific power domain that you want to power down by configure the corresponding bit in PMU\_IDLE\_SFTCON0/1/2 register; If BIU interface does not exist, skip this step;
- (4) Query PMU\_IDLE\_ACK\_STS0/1 register to wait for the corresponding BIU idle acknowledge state; Query PMU\_IDLE\_STS0/1 register to wait for the corresponding BIU in idle state; If BIU interface does not exist, skip this step.

#### 3. Software power up with hardware repair flow

- (1) Enable memory repair to the specific power domain by setting corresponding bit to 1 in PMU\_BISR\_CON1/2/3/13 register;
- (2) Enable power up to the specific power domain by setting corresponding bit to 0 in PMU\_PWR\_GATE\_SFTCON0/1/2 register;
- (3) Query PMU\_BISR\_STS4/5 register to wait for the specific power domain power up and repair done;
- (4) Send BIU request to the BIU in specific power domain that you want to power up by configure the corresponding bit in PMU\_IDLE\_SFTCON0/1/2 register; If BIU interface

does not exist, skip this step;

- (5) Query PMU\_IDLE\_ACK\_STS0/1 register to wait for the corresponding BIU exiting idle acknowledgement state; Query PMU\_IDLE\_STS0/1 register to wait for the corresponding BIU exit idle state; If BIU interface does not exist, skip this step.

**4. Software power up with software repair flow**

- (1) Enable memory repair to the specific power domain by setting corresponding bit to 1 in PMU\_BISR\_CON4/5/6/13 register;
- (2) Set PMU\_BISR\_CON0[10] to 1 to select software repair mode;
- (3) Enable power up to the specific power domain by setting corresponding bit to 0 in PMU\_PWR\_GATE\_SFTCON0/1/2 register;
- (4) Query PMU\_PWR\_GATE\_STS0/1 register to wait for the specific power domain power up;
- (5) Disable software repair clock gating by set PMU\_BISR\_CON0[6] to 0;
- (6) Enable software memory repair reset to the specific power domain by setting corresponding bit to 1 in PMU\_BISR\_CON10/11/12/13 register;
- (7) Set PMU\_BISR\_CON0[9] to 1 to initial repair global reset signal high; wait for some time and then set PMU\_BISR\_CON0[9] to 0 to set repair global reset signal low; wait for some time and then set PMU\_BISR\_CON0[9] to 1 to set repair global reset signal high;
- (8) Query PMU\_BISR\_STS0/1 register to wait for the specific power domain repair done;
- (9) Enable software repair clock gating by set PMU\_BISR\_CON0[6] to 1;
- (10) Send BIU request to the BIU in specific power domain that you want to power up by configure the corresponding bit in PMU\_IDLE\_SFTCON0/1/2 register; If BIU interface does not exist, skip this step.
- (11) Query PMU\_IDLE\_ACK\_STS0/1 register to wait for the corresponding BIU exiting idle acknowledgement state; Query PMU\_IDLE\_STS0/1 register to wait for the corresponding BIU exit idle state; If BIU interface does not exist, skip this step.

**7.5.4 Memory Power Control**

In RK3588, memory powers are independent of logic powers in the power domain. These memory powers can be controlled by software independently through setting specified bit in PMU\_MEM\_PWR\_GATE\_SFTCON0/1/2. They can be power down to reduce power consumption if these memories are not work.

Moreover, some module’s memory powers are independent of power domain’s memory power in the power domain. In this case, these memory powers can be controlled by software independently through setting specified bit in PMU\_SUBMEM\_PWR\_GATE\_SFTCON0/1/2. They can be power down to reduce power consumption if the module is not work. If these memories are pre-power down before its power domain enters power down flow, the memory power acknowledgement should be bypassed through setting specified bit in PMU\_SUBMEM\_PWR\_ACK\_BYPASS\_CON0/1/2.

**7.5.5 Power Management IO Usage**

There are independent power supplies for different voltage domain. You can communicate with external PMIC (Power Management Integrated Circuits) through I2C interface, or through IO interface.

There are 6 IOs designed for purpose, corresponding Module Pin names are pmic\_sleep\_1~pmic\_sleep\_6. The IO interface configuration is as below.

Table 7-4 Power Management IO Interface

Module Pin	Direction	Pin Name	IOMUX Setting
pmic_sleep_1	O	PMIC_SLEEP1/GPIO0_A2_d	PMU1_IOC_GPIO0A_IOMUX_SEL_L[11:8]=1
pmic_sleep_2	O	PMIC_SLEEP2/GPIO0_A3_d	PMU1_IOC_GPIO0A_IOMUX_SEL_L[15:12]=1
pmic_sleep_3	O	PMIC_SLEEP3/GPIO0_C1_d	PMU2_IOC_GPIO0C_IOMUX_SEL_L[7:4]=1
pmic_sleep_4	O	PMIC_SLEEP4/GPIO0_C2_d	PMU2_IOC_GPIO0C_IOMUX_SEL_L[11:8]=1
pmic_sleep_5	O	PMIC_SLEEP5/GPIO0_C3_d	PMU2_IOC_GPIO0C_IOMUX_SEL_L[15:12]=1
pmic_sleep_6	O	PMIC_SLEEP6/PDM0_SD13_M1/	PMU2_IOC_GPIO0D_IOMUX_

Module Pin	Direction	Pin Name	IOMUX Setting
		GPIO0_D6_d	SEL_H[11:8]=1

Each pmic\_sleep\_i(i=0~6) has multi power off requests and you can only choose one at a time. Detail refers to PMU0\_GRP\_SOC\_CON3 and PMU1\_GRP\_SOC\_CON2.

Each voltage domain can generate one power off request. The voltage domain power off request can be generated as below:

- (1) Enable power off control bit: Set corresponding bit to 1 in PMU\_VOL\_GATE\_CON0/1;
- (2) Power down internal power domain: If there is power domain included in the voltage domain, the power domain should be power down firstly. Else, skip this step;
- (3) Power down voltage domain: Set corresponding bit to 1 in PMU\_PWR\_GATE\_CON0/2 by hardware power gating or set corresponding bit to 1 in PMU\_PWR\_GATE\_SFTCON0/2 by software power gating.

### 7.5.6 Debug Information

The PMU internal power states could be monitored through debug IO.

The IO interface configuration is as below.

Table 7-5 PMU Debug IO Interface

Module Pin	Direction	Pin Name	IOMUX Setting
pmu_debug	0	SPI2_CLK_M2/SDMMC_PWREN/ PMU_DEBUG/GPIO0_A5_d	PMU1_IOC_GPIO0A_IOMUX_ SEL_H[7:4]=3

The PMU internal power states are transmitted in 8-bit UART interface mode. If PMU does not enter power mode 0, the debug information is decoded as below.

Table 7-6 PMU Debug Information Decode Before Enter Power Mode 0

Decode Value	PMU State	Register Description
2	CPU (one CPU of CPU0~CPU7)power down state	PMU_CLUSTER_POWER_STS1[3:0] or [7:4]=4'h1
3	Core (BIGCORE0 or BIGCORE1) transfer idle state	PMU_CLUSTER_POWER_STS1[3:0] or [7:4]=4'h2
4	Core (BIGCORE0 or BIGCORE1) power down state	PMU_CLUSTER_POWER_STS1[3:0] or [7:4]=4'h3
5	DSU transfer idle state	PMU_CLUSTER_POWER_STS1[11:8]=4'h1
6	DSU power down state	PMU_CLUSTER_POWER_STS1[11:8]=4'h2
7	Q-Channel low power state	PMU_GLB_POWER_STS=4'h3
8	Bus low power state	PMU_GLB_POWER_STS=4'h4
9	DDR enters self-refresh mode for core-clock state	PMU_DDR_POWER_STS=4'h2
10	DDR enters retention mode through RETON/RETOFF state	PMU_DDR_POWER_STS=4'h3
11	Power domain power down start state	PMU_PWR_GATE_POWER_STS=3'h1
12	Power domain power down running state	PMU_PWR_GATE_POWER_STS=3'h2
13	Clock low frequency state	PMU_CRU_POWER_STS=4'h1
14	PLL power down state	PMU_CRU_POWER_STS=4'h2
15	Input clamp state	PMU_CRU_POWER_STS=4'h3
16	Oscillator disable state	PMU_CRU_POWER_STS=4'h4
17	Sleep state	PMU_GLB_POWER_STS=4'h8
18	Wake up state	PMU_CRU_POWER_STS=4'h6
19	Input clamp release state	PMU_CRU_POWER_STS=4'h7
20	Oscillator enable state	PMU_CRU_POWER_STS=4'h8
21	Clock high frequency state	PMU_CRU_POWER_STS=4'h9
22	Wake up reset clear state	PMU_CRU_POWER_STS=4'ha
24	PLL power up state	PMU_CRU_POWER_STS=4'hc

Decode Value	PMU State	Register Description
26	Power domain power up start state	PMU_PWR_GATE_POWER_STS=3'h4
27	Power domain power up running state	PMU_PWR_GATE_POWER_STS=3'h5
28	DDR exits retention mode through RETON/RETOFF state	PMU_DDR_POWER_STS=4'h7
29	DDR exits self-refresh mode for core-clock state	PMU_DDR_POWER_STS=4'h8
30	Bus active state	PMU_GLB_POWER_STS=4'hc
31	Q-Channel active state	PMU_GLB_POWER_STS=4'hd
32	DSU wake up state	PMU_CLUSTER_POWER_STS1[11:8]=4'h4
33	DSU power up state	PMU_CLUSTER_POWER_STS1[11:8]=4'h5
34	DSU transfer resume state	PMU_CLUSTER_POWER_STS1[11:8]=4'h6
35	Core wake up state	PMU_CLUSTER_POWER_STS1[3:0] or [7:4]=4'h5
36	Core power up state	PMU_CLUSTER_POWER_STS1[3:0] or [7:4]=4'h6
37	Core transfer resume state	PMU_CLUSTER_POWER_STS1[3:0] or [7:4]=4'h7
38	CPU power up state	PMU_CLUSTER_POWER_STS1[3:0] or [7:4]=4'h8
39	DDR enters self-refresh mode for AXI-clock state	PMU_DDR_POWER_STS=4'h1
40	DDR enters retention mode through RST_IOV state	PMU_DDR_POWER_STS=4'h4
41	DDR exits retention mode through RST_IOV state	PMU_DDR_POWER_STS=4'h6
42	DDR exits self-refresh mode for AXI-clock state	PMU_DDR_POWER_STS=4'h9

If PMU enters power mode 0, the debug information is decoded as below.

Table 7-7 PMU Debug Information Decode After Enter Power Mode 0

Decode Value	PMU State
1	PD_PMU1 bus idle state
2	PD_PMU1 power down state
3	Clock low frequency state
4	Oscillator disable state
5	Sleep state
6	Wake up state
7	Oscillator enable state
8	Clock high frequency state
9	PD_PMU1 power up state
10	PD_PMU1 bus normal state
11	Wake up reset clear state
12	DDR exits retention mode through RST_IOV state
13	DDR exits retention mode through RETON/RETOFF state

### 7.5.7 System Register

PMU support 8 system registers: PMU\_SYS\_REG0~PMU\_SYS\_REG7. These registers are placed on PD\_PMU1. Software can use these registers to retain some information which is useful after wakeup from any mode. It is used for any mode when PD\_PMU1 is power on.

## Chapter 8 MMU600

### 8.1 Overview

The MMU600 is a System-level Memory Management Unit (SMMU) that translates an input address to an output address. This translation is based on address mapping and memory attribute information that is available in the MMU600 internal registers and translation tables. The MMU600 implements the Arm SMMU architecture version 3.1, SMMUv3.1, as the *Arm® System Memory Management Unit Architecture Specification, SMMU architecture version 3.0 and version 3.1* defines.

The version of MMU600 is r2p2-00rel0. There are two MMU600 instances in RK3588, MMU600\_PCIE and MMU600\_PHP respectively. Their configurations are shown below:

Table 8-1 MMU600\_PCIE Configuration

Configuration Parameters	Value
TOPCFG_NO_OF_TBU	2
TCUCFG_QTW_ADDR_WIDTH	48
TCUCFG_QTW_DATA_WIDTH	128
TCUCFG_XLATE_SLOTS	64
TCUCFG_PTW_SLOTS	16
TCUCFG_CTW_SLOTS	4
TCUCFG_WCS1L0_DEPTH	64
TCUCFG_WCS1L1_DEPTH	64
TCUCFG_WCS1L2_DEPTH	256
TCUCFG_WCS1L3_DEPTH	256
TCUCFG_WCS2L0_DEPTH	64
TCUCFG_WCS2L1_DEPTH	64
TCUCFG_WCS2L2_DEPTH	256
TCUCFG_WCS2L3_DEPTH	256
TCUCFG_CC_DEPTH	64
TBUCFG_TBS_ADDR_WIDTH	64
TBUCFG_TBM_ADDR_WIDTH	48
TBUCFG_DATA_WIDTH	128
TBUCFG_UTLB_DEPTH	32
TBUCFG_MTLB_DEPTH	256
TBUCFG_MTLB_PARTS	4
TBUCFG_WOT_DEPTH	16
TBUCFG_ROT_DEPTH	16
TBUCFG_XLATE_SLOTS	16
TBUCFG_SID_WIDTH	16
TBUCFG_SSID_WIDTH	20
TBUCFG_LFIFO_DEPTH	4
TBUCFG_WBUF_DEPTH	32

Table 8-2 MMU600\_PHP Configuration

Configuration Parameters	Value
TOPCFG_NO_OF_TBU	1
TCUCFG_QTW_ADDR_WIDTH	48
TCUCFG_QTW_DATA_WIDTH	128
TCUCFG_XLATE_SLOTS	64
TCUCFG_PTW_SLOTS	16
TCUCFG_CTW_SLOTS	4
TCUCFG_WCS1L0_DEPTH	64
TCUCFG_WCS1L1_DEPTH	64
TCUCFG_WCS1L2_DEPTH	256
TCUCFG_WCS1L3_DEPTH	256

<b>Configuration Parameters</b>	<b>Value</b>
TCUCFG_WCS2L0_DEPTH	64
TCUCFG_WCS2L1_DEPTH	64
TCUCFG_WCS2L2_DEPTH	256
TCUCFG_WCS2L3_DEPTH	256
TCUCFG_CC_DEPTH	64
TBUCFG_TBS_ADDR_WIDTH	64
TBUCFG_TBM_ADDR_WIDTH	48
TBUCFG_DATA_WIDTH	128
TBUCFG_UTLB_DEPTH	32
TBUCFG_MTLB_DEPTH	256
TBUCFG_MTLB_PARTS	4
TBUCFG_WOT_DEPTH	16
TBUCFG_ROT_DEPTH	16
TBUCFG_XLATE_SLOTS	16
TBUCFG_SID_WIDTH	16
TBUCFG_SSID_WIDTH	20
TBUCFG_LFIFO_DEPTH	4
TBUCFG_WBUF_DEPTH	32

The MMU600 in RK3588 supports following feature:

- Compliance with the SMMUv3.1 architecture:
  - Support for Stage 1 translation, Stage 2 translation, and Stage 1 followed by stage 2 translation
  - Support for ARMv8 AArch32 and AArch64 translation table formats
  - Support for 4KB, 16KB and 64KB granule sizes in AArch64 format
  - Masters can be stalled while a processor handles translation faults, enabling software support for demand paging
  - Configuration tables in memory can support millions of active translation contexts
  - Queues in memory perform MMU600 management, no requirement to stall a processor when it accesses the MMU600
  - A Performance Monitoring Unit (PMU) in each TBU and TCU that enables MMU600 performance to be investigated
  - Reliability, Serviceability, and Availability (RAS) features for cache corruption detection and correction
- Support for AMBA interfaces, including:
  - AMBA DTI communication between the TCU and TBUs, enabling masters to request translations and implement TBU functionality internally
  - Support for the AMBA Low-Power Interface (LPI) Q-Channel so that standard controllers can control power and clock gating
  - AXI5 WAKEUP signaling on all interfaces, including DTI and APB interfaces
- Support for flexible integration:
  - You can place a configurable number of TBUs close to the masters being translated
  - Communication between TBU and TCU over AXI4-Stream, supported using the supplied DTI interconnect components, or any other AXI4-Stream interconnect
- Support for high-performance translation:
  - Scalable configurable micro TLB and Main TLB (MTLB) in the TBU can reduce the number of translation requests to the TCU
  - MTLB partitioning enable the use of MTLB entries to be managed outside the TBU, improving real-time translation performance
  - Optimization to store all architecturally defined page and block sizes, including contiguous page and block entries, as a single entry in the TBU and TCU TLBs
  - Per-TBU prioritization in the TCU enables high-priority transaction streams to be translated
  - TCU prefetch of translation tables, which can be enabled on a per-context basis, improving translation performance for real-time masters that access memory



- linearly
- Hit-Under-Miss (HUM) support in the TBU enables transactions with different AXI IDs to be propagated out of order, when a translation is available
- TBU detection of multiple transactions that require the same translation so that only one TBU request to the TCU is required
- TCU detection of multiple translations that require the same table in memory so that only one TCU memory request is required
- Multi-level, multi-stage walk caches in the TCU reduce translation cost by performing only part of the table walk process on a miss
- A configurable number of concurrent translations in the TBU and TCU promotes high translation throughput

## 8.2 Block Diagram

The MMU600\_PCIE is connected with five PCIe controllers and the MMU600\_PHP is connected with USB3/GMAC/SATA controller. The Bridge\_PCIE/Bridge\_PHP will arbitrate requests from various masters under first in first out method. As shown below:

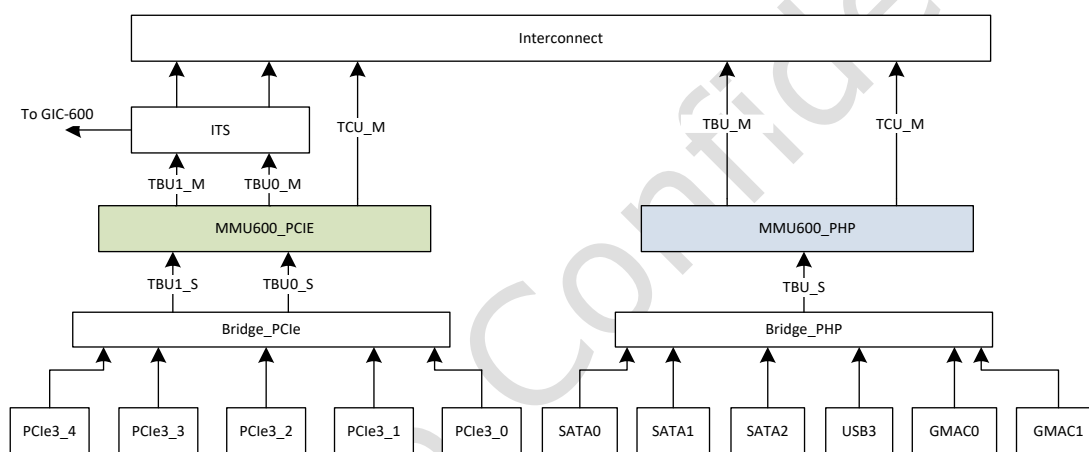


Fig. 8-1 Block Diagram

## 8.3 Function Description

Please refer to the document [corelink\\_mmu600\\_system\\_memory\\_management\\_unit\\_technical\\_reference\\_manual\\_10031\\_0\\_0202\\_00\\_en.pdf](#) for the detail function description.

## Chapter 9 MCU Subsystem

### 9.1 Overview

The MCU Subsystem embedded one MCU processor(Cortex-M0,r0p0-03rel0), a 16KB unified I/D cache, a tightly-coupled memory(TCM) and interrupt multiplexer(INTMUX). It allowed fast & efficient data exchange. And the Level 1 Instruction/Data Cache designed for MCU can improve the memory access performance significantly.

The following features may or may not be present in the actual product. Please contact Rockchip for the actual feature configurations and the third-party licensing requirements.

The MCU features and benefits are:

- One MCU processor
- Tightly-coupled memory(TCM)
- Optional debug support
  - Two hardware breakpoints
  - One watch points
  - Support Serial Wire debug connection
- Interrupt multiplexer(INTMUX)
  - Mux 8 interrupts from 512 interrupt sources using round-robin algorithm
  - Each 8 adjacent interrupts are seen as a group which share same INTMUX\_INT\_ENABLE\_GROUPx and INTMUX\_INT\_FLAG\_GROUPx register
- 16KB unified I/D Cache
  - Support 2-way set-associative with 32Byte cache line size
  - Support one 128bit AHB-Lite bus master interface to SoC interconnect
  - Support memory cacheable access and peripheral bypass access
  - Support Write-Through with No-Write-Allocate and Read-Allocate
  - Support Write-Back with Write-Allocate and Read-Allocate
  - Support cache maintenance operations (clean/invalidate/clean & invalidate) by address
  - Support cache invalidate/clean & invalidate operations for all cache lines
  - Support cache initialization by software configuration
  - Support RAM debug mode for tag RAM and data RAM
  - Support one interrupt source

There are three MCU subsystem in RK3588, PMU\_M0, NPU\_M0 and DDR\_M0 respectively. Their main configurations are different, As shown below.

Table 9-1 MCU Subsystem Configurations

	PMU_M0	NPU_M0	DDR_M0
TCM	16KB	64KB	32KB
CACHE	16KB	16KB	NA
IRQ_NUM	32	16	8
INTMUX	YES	NA	YES

### 9.2 Block Diagram

The Int\_in[511:0] will connect with all interrupt source of RK3588, and please refer to "Chapter System Overview" for the detail interrupt number. MCU Subsystem are shown below.

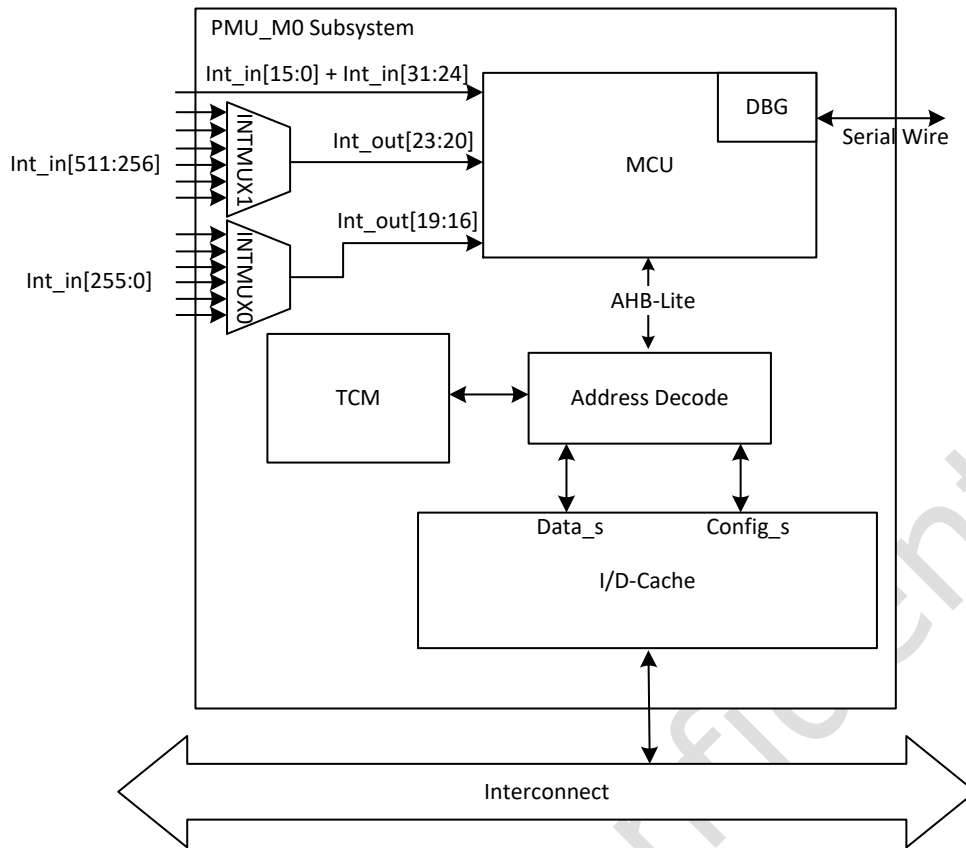


Fig. 9-1 Block Diagram of PMU\_M0 Subsystem

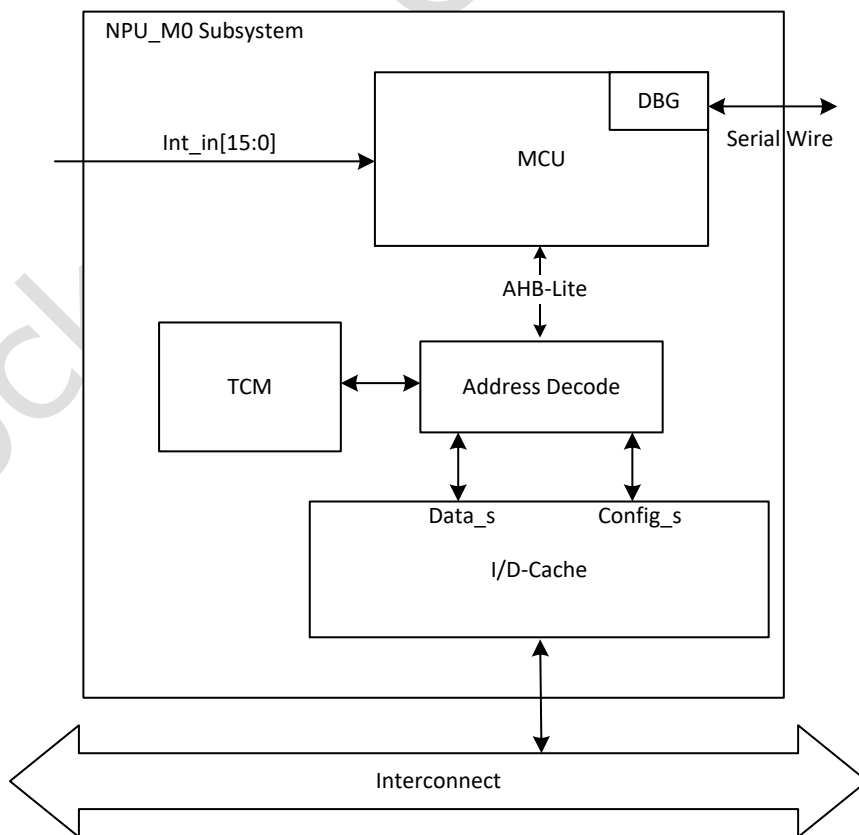


Fig. 9-2 Block Diagram of NPU\_M0 Subsystem

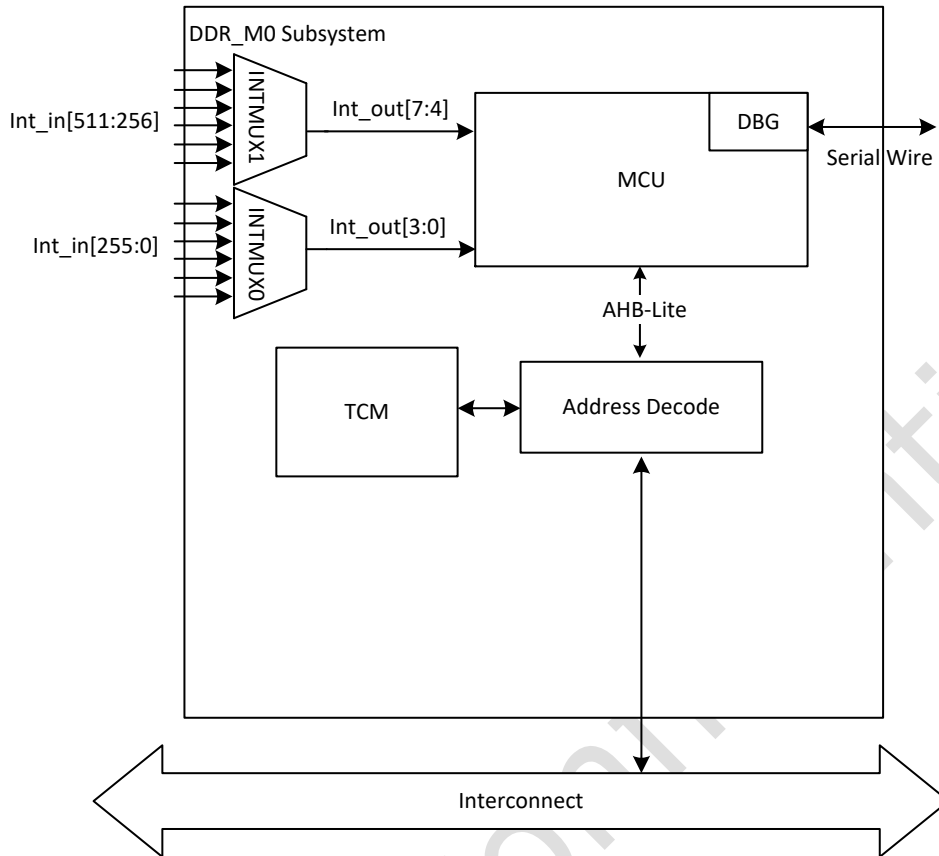


Fig. 9-3 Block Diagram of DDR\_M0 Subsystem

### 9.3 Register Description

Software should read and write these registers using 32-bits accesses. Please note that the INTMUX0 and INTMUX1 are same instance, so they have same register list, but the base address of INTMUX0\_PMU/INTMUX1\_PMU/INTMUX0\_DDR/INTMUX1\_DDR are 0xFECF0000/0xFECF4000/0xFECF8000/0xFECFC0000 respectively. Every 64 interrupts as a group will be multiplexed into one INT to MCU in order.

#### 9.3.1 Registers Summary(cache)

Name	Offset	Size	Reset Value	Description
<u>CACHE_CACHE_CTRL</u>	0x0000	W	0x000006cc	Cache Control Register
<u>CACHE_MAINTAIN0</u>	0x0004	W	0x00000000	Cache Maintain 0 Register
<u>CACHE_MAINTAIN1</u>	0x0008	W	0x00000000	Cache Maintain 1 Register
<u>CACHE_STB_TIMEOUT_CTRL</u>	0x000c	W	0x4000000c	Store Buffer Timeout Control Register
<u>CACHE_RAM_DEBUG</u>	0x0010	W	0x00000000	Cache RAM Debug Register
<u>CACHE_CACHE_INT_EN</u>	0x0020	W	0x00000000	Cache Interrupt Enable Register
<u>CACHE_CACHE_INT_ST</u>	0x0024	W	0x00000000	Cache Interrupt Status Register

Name	Offset	Size	Reset Value	Description
<u>CACHE CACHE_ERR_HADDR</u>	0x0028	W	0x00000000	Cache Error Address Register
<u>CACHE CACHE_STATUS</u>	0x0030	W	0x00000000	Cache Status Register
<u>CACHE PMU_RD_NUM_CNT</u>	0x0040	W	0x00000000	PMU Read Number Count Register
<u>CACHE PMU_WR_NUM_CNT</u>	0x0044	W	0x00000000	PMU Write Number Count Register
<u>CACHE PMU_SRAM_RD_HIT_CNT</u>	0x0048	W	0x00000000	PMU RAM Read Hit Count Register
<u>CACHE PMU_HB_RD_HIT_CNT</u>	0x004c	W	0x00000000	PMU Hot Buffer Read Hit Count Register
<u>CACHE PMU_STB_RD_HIT_CNT</u>	0x0050	W	0x00000000	PMU Store Buffer Read Hit Count Register
<u>CACHE PMU_RD_HIT_CNT</u>	0x0054	W	0x00000000	PMU Read Hit Count Register
<u>CACHE PMU_WR_HIT_CNT</u>	0x0058	W	0x00000000	PMU Write Hit Count Register
<u>CACHE PMU_RD_MISS_PENALTY_CNT</u>	0x005c	W	0x00000000	PMU Read Miss Penalty Count Register
<u>CACHE PMU_WR_MISS_PENALTY_CNT</u>	0x0060	W	0x00000000	PMU Write Miss Penalty Count Register
<u>CACHE PMU_RD_LAT_CNT</u>	0x0064	W	0x00000000	PMU Read Latency Count Register
<u>CACHE PMU_WR_LAT_CNT</u>	0x0068	W	0x00000000	PMU Write Latency Count Register
<u>CACHE_REVISION</u>	0x00f0	W	0x00000100	Cache Design Revision Register

Notes: **S**- Size: **B**- Byte (8 bits) access, **HW**- Half WORD (16 bits) access, **W**-WORD (32 bits) access

### 9.3.2 Detail Registers Description

#### **CACHE CACHE\_CTRL**

Address: Operational Base + offset (0x0000)

Bit	Attr	Reset Value	Description
31:14	RO	0x00000	reserved
13	RW	0x0	cache_pf_en Cache prefetch enable register. 1'b0: Disable 1'b1: Enable
12	RW	0x0	cache_mpu_mode Cache MPU mode enable register. When this bit is set to 1, the cacheability policy is determined by MPU of Cortex-M4. 1'b0: Disable 1'b1: Enable
11	RO	0x0	reserved
10:8	RW	0x6	stb_entry_thresh Store buffer entry threshold control register. The depth of the store buffer entry is 8. When the number of the used data entries is greater than or equal to threshold value, the write data will be written to Cache RAM.

Bit	Attr	Reset Value	Description
7	RW	0x1	stb_timeout_en Store buffer timeout enable register. When this bit is set to 1, the data in the store buffer must be flushed to Cache RAM if the counter value is equal to the timeout value. 1'b0: Disable 1'b1: Enable
6	RW	0x1	cache_bypass Cache bypass mode enable register. When this bit is set to 1, data will bypass the Cache. 1'b0: Disable 1'b1: Enable
5	RW	0x0	cache_pmu_en Cache Performance Monitor Unit enable register. 1'b0: Disable 1'b1: Enable
4	RW	0x0	cache_flush Cache flush enable register. When this bit is set to 1, the dirty data is flushed to external memory and the cache line are invalidated. 1'b0: Disable 1'b1: Enable
3	RW	0x1	cache_stb_en Cache store buffer enable register. This bit must be set to 0 when Write-Through mode is selected and must be set to 1 when Write-Back mode is selected. 1'b0: Disable 1'b1: Enable
2	RW	0x1	cache_hb_en Cache hot buffer enable register. 1'b0: Disable 1'b1: Enable
1	RW	0x0	cache_wt_en Cache mode control register. 1'b0: Write-Back 1'b1: Write-Through
0	RW	0x0	cache_en Cache initialization enable register. 1'b0: Disable 1'b1: Enable

**CACHE MAINTAIN0**

Address: Operational Base + offset (0x0004)

Bit	Attr	Reset Value	Description
31:5	RW	0x0000000	cache_m_addr Cache maintain start address. This address is 32Byte cache line aligned, that is, the bits[4:0] are always 0.
4:3	RO	0x0	reserved
2:1	RW	0x0	cache_m_cmd Cache maintain command register. 2'b00: Clean by address 2'b01: Invalidate by address 2'b10: Clean and Invalidate by address 2'b11: Invalidate all

Bit	Attr	Reset Value	Description
0	WO	0x0	cache_m_valid Cache maintain valid register. The maintenance operation is valid only when this bit is set to 1.

**CACHE MAINTAIN1**

Address: Operational Base + offset (0x0008)

Bit	Attr	Reset Value	Description
31:27	RO	0x00	reserved
26:0	RW	0x00000000	cache_m_offset Cache maintain offset. This bit field indicates the end offset of cache line, that is, the value plus 1 determines the number of cache line to be maintained. The bit field of cache_m_addr is treated as the start offset of cache line, so the maintain address range is from (cache_m_addr * 32) to (cache_m_addr * 32 + 31 + cache_m_offset * 32).

**CACHE STB TIMEOUT CTRL**

Address: Operational Base + offset (0x000c)

Bit	Attr	Reset Value	Description
31:0	RW	0x4000000c	stb_timeout_value Store buffer timeout value.

**CACHE RAM DEBUG**

Address: Operational Base + offset (0x0010)

Bit	Attr	Reset Value	Description
31:1	RO	0x00000000	reserved
0	RW	0x0	ram_debug_en Cache RAM debug mode enable register. 1'b0: Disable 1'b1: Enable

**CACHE CACHE INT EN**

Address: Operational Base + offset (0x0020)

Bit	Attr	Reset Value	Description
31:1	RO	0x00000000	reserved
0	RW	0x0	err_record_en AHB master bus error record enable. 1'b0: Disable 1'b1: Enable

**CACHE CACHE INT ST**

Address: Operational Base + offset (0x0024)

Bit	Attr	Reset Value	Description
31:1	RO	0x00000000	reserved
0	RW	0x0	ahb_error_status Error status bit for AHB master bus. 1'b0: Nothing 1'b1: Bus error

**CACHE CACHE ERR HADDR**

Address: Operational Base + offset (0x0028)

Bit	Attr	Reset Value	Description
31:1	RO	0x00000000	reserved
0	RO	0x0	status_haddr Recent record of AHB bus error address.

**CACHE CACHE STATUS**

Address: Operational Base + offset (0x0030)

Bit	Attr	Reset Value	Description
31:3	RO	0x00000000	reserved
2	RO	0x0	cache_flush_done Cache flush done status register. 1'b0: Nothing 1'b1: Flush done
1	RO	0x0	cache_m_busy Cache maintain busy status register. 1'b0: Idle 1'b1: Busy
0	RO	0x0	cache_init_finish Cache initialization finish status register. 1'b0: Cache is uninitialized 1'b1: Cache is initialized

**CACHE PMU RD NUM CNT**

Address: Operational Base + offset (0x0040)

Bit	Attr	Reset Value	Description
31:0	RO	0x00000000	pmu_rd_num_cnt Total count of read transfers.

**CACHE PMU WR NUM CNT**

Address: Operational Base + offset (0x0044)

Bit	Attr	Reset Value	Description
31:0	RO	0x00000000	pmu_wr_num_cnt Total count of write transfers.

**CACHE PMU SRAM RD HIT CNT**

Address: Operational Base + offset (0x0048)

Bit	Attr	Reset Value	Description
31:0	RO	0x00000000	pmu_ram_rd_hit_cnt Count of read hits on Cache RAM.

**CACHE PMU HB RD HIT CNT**

Address: Operational Base + offset (0x004c)

Bit	Attr	Reset Value	Description
31:0	RO	0x00000000	pmu_hb_rd_hit_cnt Count of read hits on hot buffer.

**CACHE PMU STB RD HIT CNT**

Address: Operational Base + offset (0x0050)

Bit	Attr	Reset Value	Description
31:0	RO	0x00000000	pmu_stb_rd_hit_cnt Count of read hits on store buffer.

**CACHE PMU RD HIT CNT**

Address: Operational Base + offset (0x0054)

Bit	Attr	Reset Value	Description
31:0	RO	0x00000000	pmu_rd_hit_cnt Total count of read hits.

**CACHE PMU WR HIT CNT**

Address: Operational Base + offset (0x0058)



Bit	Attr	Reset Value	Description
31:0	RO	0x00000000	pmu_wr_hit_cnt Total count of write hits.

**CACHE PMU RD MISS PENALTY CNT**

Address: Operational Base + offset (0x005c)

Bit	Attr	Reset Value	Description
31:0	RO	0x00000000	pmu_rd_miss_penalty_cnt Total count of read miss penalty (in clock cycles).

**CACHE PMU WR MISS PENALTY CNT**

Address: Operational Base + offset (0x0060)

Bit	Attr	Reset Value	Description
31:0	RO	0x00000000	pmu_wr_miss_penalty_cnt Total count of write miss penalty (in clock cycles).

**CACHE PMU RD LAT CNT**

Address: Operational Base + offset (0x0064)

Bit	Attr	Reset Value	Description
31:0	RO	0x00000000	pmu_rd_lat_cnt Total count of read latency (in clock cycles).

**CACHE PMU WR LAT CNT**

Address: Operational Base + offset (0x0068)

Bit	Attr	Reset Value	Description
31:0	RO	0x00000000	pmu_wr_lat_cnt Total count of write latency (in clock cycles).

**CACHE REVISION**

Address: Operational Base + offset (0x00f0)

Bit	Attr	Reset Value	Description
31:0	RO	0x00000100	revision Cache revision number.

**9.3.3 Registers Summary (INTMUX)**

Name	Offset	Size	Reset Value	Description
INTMUX INT ENABLE GR OUP0	0x0000	W	0x00000000	Interrupt Group0 Enable Register
INTMUX INT ENABLE GR OUP1	0x0004	W	0x00000000	Interrupt Group1 Enable Register
INTMUX INT ENABLE GR OUP2	0x0008	W	0x00000000	Interrupt Group2 Enable Register
INTMUX INT ENABLE GR OUP3	0x000c	W	0x00000000	Interrupt Group3 Enable Register
INTMUX INT ENABLE GR OUP4	0x0010	W	0x00000000	Interrupt Group4 Enable Register
INTMUX INT ENABLE GR OUP5	0x0014	W	0x00000000	Interrupt Group5 Enable Register
INTMUX INT ENABLE GR OUP6	0x0018	W	0x00000000	Interrupt Group6 Enable Register
INTMUX INT ENABLE GR OUP7	0x001c	W	0x00000000	Interrupt Group7 Enable Register
INTMUX INT ENABLE GR OUP8	0x0020	W	0x00000000	Interrupt Group8 Enable Register

<b>Name</b>	<b>Offset</b>	<b>Size</b>	<b>Reset Value</b>	<b>Description</b>
<u>INTMUX INT ENABLE GR OUP9</u>	0x0024	W	0x00000000	Interrupt Group9 Enable Register
<u>INTMUX INT ENABLE GR OUP10</u>	0x0028	W	0x00000000	Interrupt Group10 Enable Register
<u>INTMUX INT ENABLE GR OUP11</u>	0x002c	W	0x00000000	Interrupt Group11 Enable Register
<u>INTMUX INT ENABLE GR OUP12</u>	0x0030	W	0x00000000	Interrupt Group12 Enable Register
<u>INTMUX INT ENABLE GR OUP13</u>	0x0034	W	0x00000000	Interrupt Group13 Enable Register
<u>INTMUX INT ENABLE GR OUP14</u>	0x0038	W	0x00000000	Interrupt Group14 Enable Register
<u>INTMUX INT ENABLE GR OUP15</u>	0x003c	W	0x00000000	Interrupt Group15 Enable Register
<u>INTMUX INT ENABLE GR OUP16</u>	0x0040	W	0x00000000	Interrupt Group16 Enable Register
<u>INTMUX INT ENABLE GR OUP17</u>	0x0044	W	0x00000000	Interrupt Group17 Enable Register
<u>INTMUX INT ENABLE GR OUP18</u>	0x0048	W	0x00000000	Interrupt Group18 Enable Register
<u>INTMUX INT ENABLE GR OUP19</u>	0x004c	W	0x00000000	Interrupt Group19 Enable Register
<u>INTMUX INT ENABLE GR OUP20</u>	0x0050	W	0x00000000	Interrupt Group20 Enable Register
<u>INTMUX INT ENABLE GR OUP21</u>	0x0054	W	0x00000000	Interrupt Group21 Enable Register
<u>INTMUX INT ENABLE GR OUP22</u>	0x0058	W	0x00000000	Interrupt Group22 Enable Register
<u>INTMUX INT ENABLE GR OUP23</u>	0x005c	W	0x00000000	Interrupt Group23 Enable Register
<u>INTMUX INT ENABLE GR OUP24</u>	0x0060	W	0x00000000	Interrupt Group24 Enable Register
<u>INTMUX INT ENABLE GR OUP25</u>	0x0064	W	0x00000000	Interrupt Group25 Enable Register
<u>INTMUX INT ENABLE GR OUP26</u>	0x0068	W	0x00000000	Interrupt Group26 Enable Register
<u>INTMUX INT ENABLE GR OUP27</u>	0x006c	W	0x00000000	Interrupt Group27 Enable Register
<u>INTMUX INT ENABLE GR OUP28</u>	0x0070	W	0x00000000	Interrupt Group28 Enable Register
<u>INTMUX INT ENABLE GR OUP29</u>	0x0074	W	0x00000000	Interrupt Group29 Enable Register
<u>INTMUX INT ENABLE GR OUP30</u>	0x0078	W	0x00000000	Interrupt Group30 Enable Register
<u>INTMUX INT ENABLE GR OUP31</u>	0x007c	W	0x00000000	Interrupt Group31 Enable Register
<u>INTMUX INT FLAG GROU P0</u>	0x0080	W	0x00000000	Interrupt Group0 Flag Register
<u>INTMUX INT FLAG GROU P1</u>	0x0084	W	0x00000000	Interrupt Group1 Flag Register
<u>INTMUX INT FLAG GROU P2</u>	0x0088	W	0x00000000	Interrupt Group2 Flag Register

<b>Name</b>	<b>Offset</b>	<b>Size</b>	<b>Reset Value</b>	<b>Description</b>
<u>INTMUX INT FLAG GROU</u> <u>P3</u>	0x008c	W	0x00000000	Interrupt Group3 Flag Register
<u>INTMUX INT FLAG GROU</u> <u>P4</u>	0x0090	W	0x00000000	Interrupt Group4 Flag Register
<u>INTMUX INT FLAG GROU</u> <u>P5</u>	0x0094	W	0x00000000	Interrupt Group5 Flag Register
<u>INTMUX INT FLAG GROU</u> <u>P6</u>	0x0098	W	0x00000000	Interrupt Group6 Flag Register
<u>INTMUX INT FLAG GROU</u> <u>P7</u>	0x009c	W	0x00000000	Interrupt Group7 Flag Register
<u>INTMUX INT FLAG GROU</u> <u>P8</u>	0x00a0	W	0x00000000	Interrupt Group8 Flag Register
<u>INTMUX INT FLAG GROU</u> <u>P9</u>	0x00a4	W	0x00000000	Interrupt Group9 Flag Register
<u>INTMUX INT FLAG GROU</u> <u>P10</u>	0x00a8	W	0x00000000	Interrupt Group10 Flag Register
<u>INTMUX INT FLAG GROU</u> <u>P11</u>	0x00ac	W	0x00000000	Interrupt Group11 Flag Register
<u>INTMUX INT FLAG GROU</u> <u>P12</u>	0x00b0	W	0x00000000	Interrupt Group12 Flag Register
<u>INTMUX INT FLAG GROU</u> <u>P13</u>	0x00b4	W	0x00000000	Interrupt Group13 Flag Register
<u>INTMUX INT FLAG GROU</u> <u>P14</u>	0x00b8	W	0x00000000	Interrupt Group14 Flag Register
<u>INTMUX INT FLAG GROU</u> <u>P15</u>	0x00bc	W	0x00000000	Interrupt Group15 Flag Register
<u>INTMUX INT FLAG GROU</u> <u>P16</u>	0x00c0	W	0x00000000	Interrupt Group16 Flag Register
<u>INTMUX INT FLAG GROU</u> <u>P17</u>	0x00c4	W	0x00000000	Interrupt Group17 Flag Register
<u>INTMUX INT FLAG GROU</u> <u>P18</u>	0x00c8	W	0x00000000	Interrupt Group18 Flag Register
<u>INTMUX INT FLAG GROU</u> <u>P19</u>	0x00cc	W	0x00000000	Interrupt Group19 Flag Register
<u>INTMUX INT FLAG GROU</u> <u>P20</u>	0x00d0	W	0x00000000	Interrupt Group20 Flag Register
<u>INTMUX INT FLAG GROU</u> <u>P21</u>	0x00d4	W	0x00000000	Interrupt Group21 Flag Register
<u>INTMUX INT FLAG GROU</u> <u>P22</u>	0x00d8	W	0x00000000	Interrupt Group22 Flag Register
<u>INTMUX INT FLAG GROU</u> <u>P23</u>	0x00dc	W	0x00000000	Interrupt Group23 Flag Register
<u>INTMUX INT FLAG GROU</u> <u>P24</u>	0x00e0	W	0x00000000	Interrupt Group24 Flag Register
<u>INTMUX INT FLAG GROU</u> <u>P25</u>	0x00e4	W	0x00000000	Interrupt Group25 Flag Register
<u>INTMUX INT FLAG GROU</u> <u>P26</u>	0x00e8	W	0x00000000	Interrupt Group26 Flag Register
<u>INTMUX INT FLAG GROU</u> <u>P27</u>	0x00ec	W	0x00000000	Interrupt Group27 Flag Register
<u>INTMUX INT FLAG GROU</u> <u>P28</u>	0x00f0	W	0x00000000	Interrupt Group28 Flag Register

Name	Offset	Size	Reset Value	Description
INTMUX INT FLAG GROUP29	0x00f4	W	0x00000000	Interrupt Group29 Flag Register
INTMUX INT FLAG GROUP30	0x00f8	W	0x00000000	Interrupt Group30 Flag Register
INTMUX INT FLAG GROUP31	0x00fc	W	0x00000000	Interrupt Group31 Flag Register

Notes: **S**- Byte (8 bits) access, **H**- Half WORD (16 bits) access, **W**-WORD (32 bits) access

### 9.3.4 Detail Registers Description

#### **INTMUX INT ENABLE GROUP0**

Address: Operational Base + offset (0x0000)

Bit	Attr	Reset Value	Description
31:8	RO	0x000000	reserved
7:0	RW	0x00	enable Each bit represents one interrupt enable bit. 1'b0: Interrupt disabled 1'b1: Interrupt enabled

#### **INTMUX INT ENABLE GROUP1**

Address: Operational Base + offset (0x0004)

Bit	Attr	Reset Value	Description
31:8	RO	0x000000	reserved
7:0	RW	0x00	enable Each bit represents one interrupt enable bit. 1'b0: Interrupt disabled 1'b1: Interrupt enabled

#### **INTMUX INT ENABLE GROUP2**

Address: Operational Base + offset (0x0008)

Bit	Attr	Reset Value	Description
31:8	RO	0x000000	reserved
7:0	RW	0x00	enable Each bit represents one interrupt enable bit. 1'b0: Interrupt disabled 1'b1: Interrupt enabled

#### **INTMUX INT ENABLE GROUP3**

Address: Operational Base + offset (0x000c)

Bit	Attr	Reset Value	Description
31:8	RO	0x000000	reserved
7:0	RW	0x00	enable Each bit represents one interrupt enable bit. 1'b0: Interrupt disabled 1'b1: Interrupt enabled

#### **INTMUX INT ENABLE GROUP4**

Address: Operational Base + offset (0x0010)

Bit	Attr	Reset Value	Description
31:8	RO	0x000000	reserved
7:0	RW	0x00	enable Each bit represents one interrupt enable bit. 1'b0: Interrupt disabled 1'b1: Interrupt enabled

**INTMUX INT ENABLE GROUP5**

Address: Operational Base + offset (0x0014)

Bit	Attr	Reset Value	Description
31:8	RO	0x000000	reserved
7:0	RW	0x00	enable Each bit represents one interrupt enable bit. 1'b0: Interrupt disabled 1'b1: Interrupt enabled

**INTMUX INT ENABLE GROUP6**

Address: Operational Base + offset (0x0018)

Bit	Attr	Reset Value	Description
31:8	RO	0x000000	reserved
7:0	RW	0x00	enable Each bit represents one interrupt enable bit. 1'b0: Interrupt disabled 1'b1: Interrupt enabled

**INTMUX INT ENABLE GROUP7**

Address: Operational Base + offset (0x001c)

Bit	Attr	Reset Value	Description
31:8	RO	0x000000	reserved
7:0	RW	0x00	enable Each bit represents one interrupt enable bit. 1'b0: Interrupt disabled 1'b1: Interrupt enabled

**INTMUX INT ENABLE GROUP8**

Address: Operational Base + offset (0x0020)

Bit	Attr	Reset Value	Description
31:8	RO	0x000000	reserved
7:0	RW	0x00	enable Each bit represents one interrupt enable bit. 1'b0: Interrupt disabled 1'b1: Interrupt enabled

**INTMUX INT ENABLE GROUP9**

Address: Operational Base + offset (0x0024)

Bit	Attr	Reset Value	Description
31:8	RO	0x000000	reserved
7:0	RW	0x00	enable Each bit represents one interrupt enable bit. 1'b0: Interrupt disabled 1'b1: Interrupt enabled

**INTMUX INT ENABLE GROUP10**

Address: Operational Base + offset (0x0028)

Bit	Attr	Reset Value	Description
31:8	RO	0x000000	reserved
7:0	RW	0x00	enable Each bit represents one interrupt enable bit. 1'b0: Interrupt disabled 1'b1: Interrupt enabled

**INTMUX INT ENABLE GROUP11**

Address: Operational Base + offset (0x002c)

Bit	Attr	Reset Value	Description
31:8	RO	0x000000	reserved
7:0	RW	0x00	enable Each bit represents one interrupt enable bit. 1'b0: Interrupt disabled 1'b1: Interrupt enabled

**INTMUX INT ENABLE GROUP12**

Address: Operational Base + offset (0x0030)

Bit	Attr	Reset Value	Description
31:8	RO	0x000000	reserved
7:0	RW	0x00	enable Each bit represents one interrupt enable bit. 1'b0: Interrupt disabled 1'b1: Interrupt enabled

**INTMUX INT ENABLE GROUP13**

Address: Operational Base + offset (0x0034)

Bit	Attr	Reset Value	Description
31:8	RO	0x000000	reserved
7:0	RW	0x00	enable Each bit represents one interrupt enable bit. 1'b0: Interrupt disabled 1'b1: Interrupt enabled

**INTMUX INT ENABLE GROUP14**

Address: Operational Base + offset (0x0038)

Bit	Attr	Reset Value	Description
31:8	RO	0x000000	reserved
7:0	RW	0x00	enable Each bit represents one interrupt enable bit. 1'b0: Interrupt disabled 1'b1: Interrupt enabled

**INTMUX INT ENABLE GROUP15**

Address: Operational Base + offset (0x003c)

Bit	Attr	Reset Value	Description
31:8	RO	0x000000	reserved
7:0	RW	0x00	enable Each bit represents one interrupt enable bit. 1'b0: Interrupt disabled 1'b1: Interrupt enabled

**INTMUX INT ENABLE GROUP16**

Address: Operational Base + offset (0x0040)

Bit	Attr	Reset Value	Description
31:8	RO	0x000000	reserved
7:0	RW	0x00	enable Each bit represents one interrupt enable bit. 1'b0: Interrupt disabled 1'b1: Interrupt enabled

**INTMUX INT ENABLE GROUP17**

Address: Operational Base + offset (0x0044)

Bit	Attr	Reset Value	Description
31:8	RO	0x000000	reserved
7:0	RW	0x00	enable Each bit represents one interrupt enable bit. 1'b0: Interrupt disabled 1'b1: Interrupt enabled

**INTMUX INT ENABLE GROUP18**

Address: Operational Base + offset (0x0048)

Bit	Attr	Reset Value	Description
31:8	RO	0x000000	reserved
7:0	RW	0x00	enable Each bit represents one interrupt enable bit. 1'b0: Interrupt disabled 1'b1: Interrupt enabled

**INTMUX INT ENABLE GROUP19**

Address: Operational Base + offset (0x004c)

Bit	Attr	Reset Value	Description
31:8	RO	0x000000	reserved
7:0	RW	0x00	enable Each bit represents one interrupt enable bit. 1'b0: Interrupt disabled 1'b1: Interrupt enabled

**INTMUX INT ENABLE GROUP20**

Address: Operational Base + offset (0x0050)

Bit	Attr	Reset Value	Description
31:8	RO	0x000000	reserved
7:0	RW	0x00	enable Each bit represents one interrupt enable bit. 1'b0: Interrupt disabled 1'b1: Interrupt enabled

**INTMUX INT ENABLE GROUP21**

Address: Operational Base + offset (0x0054)

Bit	Attr	Reset Value	Description
31:8	RO	0x000000	reserved
7:0	RW	0x00	enable Each bit represents one interrupt enable bit. 1'b0: Interrupt disabled 1'b1: Interrupt enabled

**INTMUX INT ENABLE GROUP22**

Address: Operational Base + offset (0x0058)

Bit	Attr	Reset Value	Description
31:8	RO	0x000000	reserved
7:0	RW	0x00	enable Each bit represents one interrupt enable bit. 1'b0: Interrupt disabled 1'b1: Interrupt enabled

**INTMUX INT ENABLE GROUP23**

Address: Operational Base + offset (0x005c)

Bit	Attr	Reset Value	Description
31:8	RO	0x000000	reserved
7:0	RW	0x00	enable Each bit represents one interrupt enable bit. 1'b0: Interrupt disabled 1'b1: Interrupt enabled

**INTMUX INT ENABLE GROUP24**

Address: Operational Base + offset (0x0060)

Bit	Attr	Reset Value	Description
31:8	RO	0x000000	reserved
7:0	RW	0x00	enable Each bit represents one interrupt enable bit. 1'b0: Interrupt disabled 1'b1: Interrupt enabled

**INTMUX INT ENABLE GROUP25**

Address: Operational Base + offset (0x0064)

Bit	Attr	Reset Value	Description
31:8	RO	0x000000	reserved
7:0	RW	0x00	enable Each bit represents one interrupt enable bit. 1'b0: Interrupt disabled 1'b1: Interrupt enabled

**INTMUX INT ENABLE GROUP26**

Address: Operational Base + offset (0x0068)

Bit	Attr	Reset Value	Description
31:8	RO	0x000000	reserved
7:0	RW	0x00	enable Each bit represents one interrupt enable bit. 1'b0: Interrupt disabled 1'b1: Interrupt enabled

**INTMUX INT ENABLE GROUP27**

Address: Operational Base + offset (0x006c)

Bit	Attr	Reset Value	Description
31:8	RO	0x000000	reserved
7:0	RW	0x00	enable Each bit represents one interrupt enable bit. 1'b0: Interrupt disabled 1'b1: Interrupt enabled

**INTMUX INT ENABLE GROUP28**

Address: Operational Base + offset (0x0070)

Bit	Attr	Reset Value	Description
31:8	RO	0x000000	reserved
7:0	RW	0x00	enable Each bit represents one interrupt enable bit. 1'b0: Interrupt disabled 1'b1: Interrupt enabled

**INTMUX INT ENABLE GROUP29**

Address: Operational Base + offset (0x0074)



Bit	Attr	Reset Value	Description
31:8	RO	0x000000	reserved
7:0	RW	0x00	enable Each bit represents one interrupt enable bit. 1'b0: Interrupt disabled 1'b1: Interrupt enabled

**INTMUX INT ENABLE GROUP30**

Address: Operational Base + offset (0x0078)

Bit	Attr	Reset Value	Description
31:8	RO	0x000000	reserved
7:0	RW	0x00	enable Each bit represents one interrupt enable bit. 1'b0: Interrupt disabled 1'b1: Interrupt enabled

**INTMUX INT ENABLE GROUP31**

Address: Operational Base + offset (0x007c)

Bit	Attr	Reset Value	Description
31:8	RO	0x000000	reserved
7:0	RW	0x00	enable Each bit represents one interrupt enable bit. 1'b0: Interrupt disabled 1'b1: Interrupt enabled

**INTMUX INT FLAG GROUP0**

Address: Operational Base + offset (0x0080)

Bit	Attr	Reset Value	Description
31:8	RO	0x000000	reserved
7:0	RO	0x00	flag Each bit represents one interrupt is in service. 1'b0: Interrupt in service 1'b1: Interrupt out of service

**INTMUX INT FLAG GROUP1**

Address: Operational Base + offset (0x0084)

Bit	Attr	Reset Value	Description
31:8	RO	0x000000	reserved
7:0	RO	0x00	flag Each bit represents one interrupt is in service. 1'b0: Interrupt in service 1'b1: Interrupt out of service

**INTMUX INT FLAG GROUP2**

Address: Operational Base + offset (0x0088)

Bit	Attr	Reset Value	Description
31:8	RO	0x000000	reserved
7:0	RO	0x00	flag Each bit represents one interrupt is in service. 1'b0: Interrupt in service 1'b1: Interrupt out of service

**INTMUX INT FLAG GROUP3**

Address: Operational Base + offset (0x008c)

Bit	Attr	Reset Value	Description
31:8	RO	0x000000	reserved
7:0	RO	0x00	flag Each bit represents one interrupt is in service. 1'b0: Interrupt in service 1'b1: Interrupt out of service

**INTMUX INT FLAG GROUP4**

Address: Operational Base + offset (0x0090)

Bit	Attr	Reset Value	Description
31:8	RO	0x000000	reserved
7:0	RO	0x00	flag Each bit represents one interrupt is in service. 1'b0: Interrupt in service 1'b1: Interrupt out of service

**INTMUX INT FLAG GROUP5**

Address: Operational Base + offset (0x0094)

Bit	Attr	Reset Value	Description
31:8	RO	0x000000	reserved
7:0	RO	0x00	flag Each bit represents one interrupt is in service. 1'b0: Interrupt in service 1'b1: Interrupt out of service

**INTMUX INT FLAG GROUP6**

Address: Operational Base + offset (0x0098)

Bit	Attr	Reset Value	Description
31:8	RO	0x000000	reserved
7:0	RO	0x00	flag Each bit represents one interrupt is in service. 1'b0: Interrupt in service 1'b1: Interrupt out of service

**INTMUX INT FLAG GROUP7**

Address: Operational Base + offset (0x009c)

Bit	Attr	Reset Value	Description
31:8	RO	0x000000	reserved
7:0	RO	0x00	flag Each bit represents one interrupt is in service. 1'b0: Interrupt in service 1'b1: Interrupt out of service

**INTMUX INT FLAG GROUP8**

Address: Operational Base + offset (0x00a0)

Bit	Attr	Reset Value	Description
31:8	RO	0x000000	reserved
7:0	RO	0x00	flag Each bit represents one interrupt is in service. 1'b0: Interrupt in service 1'b1: Interrupt out of service

**INTMUX INT FLAG GROUP9**

Address: Operational Base + offset (0x00a4)

Bit	Attr	Reset Value	Description
31:8	RO	0x000000	reserved
7:0	RO	0x00	flag Each bit represents one interrupt is in service. 1'b0: Interrupt in service 1'b1: Interrupt out of service

**INTMUX INT FLAG GROUP10**

Address: Operational Base + offset (0x00a8)

Bit	Attr	Reset Value	Description
31:8	RO	0x000000	reserved
7:0	RO	0x00	flag Each bit represents one interrupt is in service. 1'b0: Interrupt in service 1'b1: Interrupt out of service

**INTMUX INT FLAG GROUP11**

Address: Operational Base + offset (0x00ac)

Bit	Attr	Reset Value	Description
31:8	RO	0x000000	reserved
7:0	RO	0x00	flag Each bit represents one interrupt is in service. 1'b0: Interrupt in service 1'b1: Interrupt out of service

**INTMUX INT FLAG GROUP12**

Address: Operational Base + offset (0x00b0)

Bit	Attr	Reset Value	Description
31:8	RO	0x000000	reserved
7:0	RO	0x00	flag Each bit represents one interrupt is in service. 1'b0: Interrupt in service 1'b1: Interrupt out of service

**INTMUX INT FLAG GROUP13**

Address: Operational Base + offset (0x00b4)

Bit	Attr	Reset Value	Description
31:8	RO	0x000000	reserved
7:0	RO	0x00	flag Each bit represents one interrupt is in service. 1'b0: Interrupt in service 1'b1: Interrupt out of service

**INTMUX INT FLAG GROUP14**

Address: Operational Base + offset (0x00b8)

Bit	Attr	Reset Value	Description
31:8	RO	0x000000	reserved
7:0	RO	0x00	flag Each bit represents one interrupt is in service. 1'b0: Interrupt in service 1'b1: Interrupt out of service

**INTMUX INT FLAG GROUP15**

Address: Operational Base + offset (0x00bc)

Bit	Attr	Reset Value	Description
31:8	RO	0x000000	reserved
7:0	RO	0x00	flag Each bit represents one interrupt is in service. 1'b0: Interrupt in service 1'b1: Interrupt out of service

**INTMUX INT FLAG GROUP16**

Address: Operational Base + offset (0x00c0)

Bit	Attr	Reset Value	Description
31:8	RO	0x000000	reserved
7:0	RO	0x00	flag Each bit represents one interrupt is in service. 1'b0: Interrupt in service 1'b1: Interrupt out of service

**INTMUX INT FLAG GROUP17**

Address: Operational Base + offset (0x00c4)

Bit	Attr	Reset Value	Description
31:8	RO	0x000000	reserved
7:0	RO	0x00	flag Each bit represents one interrupt is in service. 1'b0: Interrupt in service 1'b1: Interrupt out of service

**INTMUX INT FLAG GROUP18**

Address: Operational Base + offset (0x00c8)

Bit	Attr	Reset Value	Description
31:8	RO	0x000000	reserved
7:0	RO	0x00	flag Each bit represents one interrupt is in service. 1'b0: Interrupt in service 1'b1: Interrupt out of service

**INTMUX INT FLAG GROUP19**

Address: Operational Base + offset (0x00cc)

Bit	Attr	Reset Value	Description
31:8	RO	0x000000	reserved
7:0	RO	0x00	flag Each bit represents one interrupt is in service. 1'b0: Interrupt in service 1'b1: Interrupt out of service

**INTMUX INT FLAG GROUP20**

Address: Operational Base + offset (0x00d0)

Bit	Attr	Reset Value	Description
31:8	RO	0x000000	reserved
7:0	RO	0x00	flag Each bit represents one interrupt is in service. 1'b0: Interrupt in service 1'b1: Interrupt out of service

**INTMUX INT FLAG GROUP21**

Address: Operational Base + offset (0x00d4)

Bit	Attr	Reset Value	Description
31:8	RO	0x000000	reserved
7:0	RO	0x00	flag Each bit represents one interrupt is in service. 1'b0: Interrupt in service 1'b1: Interrupt out of service

**INTMUX INT FLAG GROUP22**

Address: Operational Base + offset (0x00d8)

Bit	Attr	Reset Value	Description
31:8	RO	0x000000	reserved
7:0	RO	0x00	flag Each bit represents one interrupt is in service. 1'b0: Interrupt in service 1'b1: Interrupt out of service

**INTMUX INT FLAG GROUP23**

Address: Operational Base + offset (0x00dc)

Bit	Attr	Reset Value	Description
31:8	RO	0x000000	reserved
7:0	RO	0x00	flag Each bit represents one interrupt is in service. 1'b0: Interrupt in service 1'b1: Interrupt out of service

**INTMUX INT FLAG GROUP24**

Address: Operational Base + offset (0x00e0)

Bit	Attr	Reset Value	Description
31:8	RO	0x000000	reserved
7:0	RO	0x00	flag Each bit represents one interrupt is in service. 1'b0: Interrupt in service 1'b1: Interrupt out of service

**INTMUX INT FLAG GROUP25**

Address: Operational Base + offset (0x00e4)

Bit	Attr	Reset Value	Description
31:8	RO	0x000000	reserved
7:0	RO	0x00	flag Each bit represents one interrupt is in service. 1'b0: Interrupt in service 1'b1: Interrupt out of service

**INTMUX INT FLAG GROUP26**

Address: Operational Base + offset (0x00e8)

Bit	Attr	Reset Value	Description
31:8	RO	0x000000	reserved
7:0	RO	0x00	flag Each bit represents one interrupt is in service. 1'b0: Interrupt in service 1'b1: Interrupt out of service

**INTMUX INT FLAG GROUP27**

Address: Operational Base + offset (0x00ec)

Bit	Attr	Reset Value	Description
31:8	RO	0x000000	reserved
7:0	RO	0x00	flag Each bit represents one interrupt is in service. 1'b0: Interrupt in service 1'b1: Interrupt out of service

**INTMUX INT FLAG GROUP28**

Address: Operational Base + offset (0x00f0)

Bit	Attr	Reset Value	Description
31:8	RO	0x000000	reserved
7:0	RO	0x00	flag Each bit represents one interrupt is in service. 1'b0: Interrupt in service 1'b1: Interrupt out of service

**INTMUX INT FLAG GROUP29**

Address: Operational Base + offset (0x00f4)

Bit	Attr	Reset Value	Description
31:8	RO	0x000000	reserved
7:0	RO	0x00	flag Each bit represents one interrupt is in service. 1'b0: Interrupt in service 1'b1: Interrupt out of service

**INTMUX INT FLAG GROUP30**

Address: Operational Base + offset (0x00f8)

Bit	Attr	Reset Value	Description
31:8	RO	0x000000	reserved
7:0	RO	0x00	flag Each bit represents one interrupt is in service. 1'b0: Interrupt in service 1'b1: Interrupt out of service

**INTMUX INT FLAG GROUP31**

Address: Operational Base + offset (0x00fc)

Bit	Attr	Reset Value	Description
31:8	RO	0x000000	reserved
7:0	RO	0x00	flag Each bit represents one interrupt is in service. 1'b0: Interrupt in service 1'b1: Interrupt out of service

## 9.4 Interface Description

There are two sets of serial debug interface for the three MCUs. When we debug using serial wire, not only set IOMUX, but also configure the bit[11:10] of SYS\_GRP\_SOC\_CON10 to select the MCU that you want to debug.

Table 9-2 MCU Serial Wire Debug Interface Description

Module Pin	Direction	Pad Name	IOMUX Setting
mcujtag_tckm0	I	SDMMC_CMD/PDM1_CLK1_M0/MCU_JTAG_TCK_M0/CAN0_TX_M1/UART5_RX_M0/PWM7_IR_M1/GPIO4_D4_u	BUS_IOC_GPIO4D_IOMUX_S EL_H[3:0] = 4'h5
mcujtag_tmsm0	I/O	SDMMC_CLK/PDM1_CLK0_M0/TEST_CLK_OUT_M0/MCU_JTAG_TMS_M0/CAN0_RX_M1/UART5_TX_M0/GPIO4_D5_d	BUS_IOC_GPIO4D_IOMUX_S EL_H[7:4] = 4'h5
mcujtag_tckm1	I	HDMI_TX0_HPD_M1/PCIE30X2_PERSTN_M2/HDMI_RX_HPDOU_T_M1/MCU_JTAG_TCK_M1/UART9_RX_M2/SPI0_CS0_M3/GPIO3_D4_d	BUS_IOC_GPIO3D_IOMUX_S EL_H[3:0] = 4'h6
mcujtag_tmsm1	I/O	PCIE30X4_BUTTON_RSTN/DP1_HPDI_M0/MCU_JTAG_TMS_M1/UART9_TX_M2/PWM11_IR_M3/SPI0_CS1_M3/GPIO3_D5_d	BUS_IOC_GPIO3D_IOMUX_S EL_H[7:4] = 4'h6

Notes: I=input, O=output, I/O=input/output, bidirectional

## 9.5 Application Notes

### 9.5.1 Clock and Reset Generation

Please refer to "Chapter CRU" for more detailed information.

### 9.5.2 Memory Remap

The memory map is divided into different memory types for different usage.

To avoid the memory map conflict between different processors, the source space can be remap to another. In addition, these remap operation could not take effect until the MCU soft reset.

Table 9-3 PMU\_M0 Address Remap

Before Remap	Memory Type	Usage	After Remap
0xA0000000 - 0xDFFFFFFF	Device XN	Peripherals	Before Remap - 0xA0000000 + {pmu1_sgrf_soc_con12[15:0],16'h0}
0x80000000 - 0x9FFFFFFF	Normal WT	Off chip RAM	Before Remap - 0x60000000 + {pmu1_sgrf_soc_con11[15:0],16'h0}
0x60000000 - 0x7FFFFFFF	Normal WBWA	Off chip RAM	Before Remap - 0x60000000 + {pmu1_sgrf_soc_con11[15:0],16'h0}
0x40000000 - 0x5FFFFFFF	Device XN	Peripherals	Before Remap - 0x40000000 + 0xF0000000
0x20000000 - 0x3FFFFFFF	Normal WBWA	On chip RAM	Before Remap - 0x20000000 + {pmu1_sgrf_soc_con10[15:0],16'h0}
0x00000000 - 0x1FFFFFFF	Normal WT	ROM or flash	Before Remap - 0x00000000 + {pmu1_sgrf_soc_con9[15:0],16'h0}

Table 9-4 NPU\_M0 Address Remap

Before Remap	Memory Type	Usage	After Remap
0xA0000000 - 0xDFFFFFFF	Device XN	Peripherals	Before Remap - 0xA0000000 + {bus_sgrf_mcu_con1[15:0],16'h0}
0x80000000 - 0x9FFFFFFF	Normal WT	Off chip RAM	Before Remap - 0x60000000 + {bus_sgrf_mcu_con2[15:0],16'h0}
0x60000000 - 0x7FFFFFFF	Normal WBWA	Off chip RAM	Before Remap - 0x60000000 + {bus_sgrf_mcu_con2[15:0],16'h0}
0x40000000 - 0x5FFFFFFF	Device XN	Peripherals	Before Remap - 0x40000000 + 0xF0000000
0x20000000 - 0x3FFFFFFF	Normal WBWA	On chip RAM	Before Remap - 0x20000000 + {bus_sgrf_mcu_con3[15:0],16'h0}
0x00000000 - 0x1FFFFFFF	Normal WT	ROM or flash	Before Remap - 0x00000000 + {bus_sgrf_mcu_con0[15:0],16'h0}

Table 9-5 DDR\_M0 Address Remap

Before Remap	Memory Type	Usage	After Remap
0xA0000000 - 0xDFFFFFFF	Device XN	Peripherals	Before Remap - 0xA0000000 + {bus_sgrf_mcu_con6[15:0],16'h0}
0x80000000 - 0x9FFFFFFF	Normal WT	Off chip RAM	Before Remap - 0x60000000 + {bus_sgrf_mcu_con7[15:0],16'h0}

0x60000000 - 0x7FFFFFFF	Normal WBWA	Off chip RAM	Before Remap - 0x60000000 + {bus_sgrf_mcu_con7[15:0],16'h0}
0x40000000 - 0x5FFFFFFF	Device XN	Peripherals	Before Remap - 0x40000000 + 0xF0000000
0x20000000 - 0x3FFFFFFF	Normal WBWA	On chip RAM	Before Remap - 0x20000000 + {bus_sgrf_mcu_con8[15:0],16'h0}
0x00000000 - 0x1FFFFFFF	Normal WT	ROM or flash	Before Remap - 0x00000000 + {bus_sgrf_mcu_con5[15:0],16'h0}

Notes:

- XN means execute-never.
- WT means write-through.
- WBWA means write-back-write-allocate.
- WT means write-through

### 9.5.3 Interrupt for MCU

Table 9-6 DDR\_M0 Interrupt

IRQ ID	IRQ Source	IRQ ID	IRQ Source
0	Int_in[63:0]	4	Int_in[319:256]
1	Int_in[127:64]	5	Int_in[383:320]
2	Int_in[191:128]	6	Int_in[447:384]
3	Int_in[255:192]	7	Int_in[511:448]

The Int\_in[511:0] are system interrupts, and each 64 interrupts will multiplexed into one interrupt which connect to one DDR\_M0 IRQ lines. Please refer to “Chapter System Overview” for the detail interrupt number.

Table 9-7 PMU\_M0 Interrupt

IRQ ID	IRQ Source	IRQ ID	IRQ Source
0	PMIC	11	PWM0
1	SDMMC_DETECTN	12	WDT_PMU
2	UART0	13	TIMER1_PMU
3	GPIIO0	14	TIMER0_PMU
4	GPIIO0_EXP	15	CRC_CHK_RST_REQ_PMU0_SGRF  CRC_CHK_RST_REQ_PMU1SGRF
5	I2C0	16-23	INTMUX_OUT
6	VAD	24	HPTIMER_PMU0
7	PDM0	25	OSC_CHK_RST_REQ
8	I2S1_8CH	26	CACHE_PMU
9	PVTM_PMU	27-31	RESERVED
10	PWM0_PWR		

The INTMUX\_OUT are multiplexed from 512 system interrupts.

Table 9-8 NPU\_M0 Interrupt

IRQ ID	IRQ Source	IRQ ID	IRQ Source
0	Timer0_NPU	5	C1_RKNN
1	Timer1_NPU	6	C2_RKNN
2	PVTM_NPU	7	CACHE_NPU
3	WDT_NPU	8-11	MAILBOX2_AP
4	C0_RKNN	12-15	MAILBOX2_BB

The 16 interrupts are connected to NPU\_M0 without INTMUX directly.

### 9.5.4 Cache Initialization

The Cache is bypassed after reset and need to be initialized by the MCU. The basic initialization flow is:

1. Configure to Write-Back or Write-Through mode by setting CACHE\_CTRL.cache\_wt\_en



and start initialization by configuring `CACHE_CTRL.cache_en` to high while keeping the Cache in bypass mode (`CACHE_CTRL.cache_bypass` is high). The store buffer must and only can be enabled for Write-Back mode, so you must disable the store buffer when Write-Through mode is selected. You can also enable the hot buffer for better performance. It is recommended that configure the I-Cache to Write-Through mode and configure the D-Cache to Write-Back mode.

2. Wait for cache initialization to be finished by polling `CACHE_STATUS.cache_init_finish`.
3. Disable cache bypass mode by configuring `CACHE_CTRL.cache_bypass` to low. Now that the Cache is enabled.
4. Simply configure `CACHE_CTRL.cache_bypass` to bypass or enable the Cache again after the initialization flow.

### 9.5.5 Cache Maintenance

The Cache Controller support the following cache maintenance operations:

- Clean by address: push the specified cache line data to external memory if it is valid and dirty.
- Invalidate by address: unconditionally clear the valid and dirty data of the specified cache lines.
- Clean and invalidate by address: clean and then invalidate the specified cache lines.
- Invalidate all: unconditionally clear the valid and dirty data for all the cache lines.
- Clean and invalidate all (Flush): clean and then invalidate all the cache lines.

For the operation of cache clean and invalidate all, configure `CACHE_CTRL.cache_flush` to high first, and then wait for flush to be done by polling `CACHE_STATUS.cache_flush_done`. Finally, if the flush is done, you should configure `CACHE_CTRL.cache_flush` to low.

For the other four maintenance operations, you should set the maintenance command and the address range of the cache lines by configuring `CACHE_MAINTAIN0` and `CACHE_MAINTAIN1`, then start by configuring `CACHE_MAINTAIN0.cache_m_valid` to high. When the operation is finished, `CACHE_MAINTAIN0.cache_m_valid` will be automatically cleared to low. You can also poll `CACHE_STATUS.cache_m_busy` to judge whether the operation is done.

### 9.5.6 Cache RAM Debug Mode

When the Cache is enabled and not in the bypass mode, you can enter the cache RAM debug mode by configuring `CACHE_RAM_DEBUG.ram_debug_en` to high. In the RAM debug mode, the cache RAM can be accessed directly by the specific address, and all the other cacheable memory accesses are bypassed because the cache core is disabled.

The following table shows the address map for the cache RAM debug.

Table 9-6 Address Map for the Cache RAM Debug

<b>RAM Access Type</b>	<b>RAM Access Size</b>	<b>Address Range for Cache RAM Debug</b>
Reserved	7KB	0xF6F26400 ~ 0xF6F27FFF
TAG RAM1	1KB	0xF6F26000 ~ 0xF6F263FF
Reserved	7KB	0xF6F24400 ~ 0xF6F25FFF
TAG RAMCU	1KB	0xF6F24000 ~ 0xF6F243FF
DATA RAM1	8KB	0xF6F22000 ~ 0xF6F23FFF
DATA RAMCU	8KB	0xF6F20000 ~ 0xF6F21FFF

As shown in the above table, there are 2 ways for each cache, and the size of one DATA RAM is 8KB. The following explanation may help you use the RAM debug method:

- Using the word-aligned address to access the TAG RAM.
- The bits[9:2] of the TAG RAM address are acted as the bits[12:5] of the corresponding memory address.
- Only the bits[20:0] of the TAG RAM data are available, and the bits[31:21] are always zero.

- The bit[20] is the valid flag bit.
- The bit[19] is the dirty flag bit.
- The bits[18:0] are acted as the bits[31:13] of the corresponding memory address.
- The bits[12:0] of the DATA RAM address are acted as the bits[12:0] of the corresponding memory address.
- In order to get the cache line data at the wanted address, you should read the both of the TAG RAMs to find the matched address, and then read data from the corresponding DATA RAM.
- If write data to the DATA RAM, 8 copies of the 32bit data on the AHB bus will be written to the 32Byte cache line.

### **9.5.7 TCM**

All MCU Subsystem implement data/instructions tightly-coupled memory to speed up code execute, but only MCU can access TCM. In addition, the base address of TCM are configurable to ease software. Refer to `pmu1_sgrf_soc_con13/bus_sgrf_mcu_con4/bus_sgrf_mcu_con9` for more detail.

### **9.5.8 Other Hints**

One interrupt request source is supported for the I/D-Cache, so you can query the interrupt register in the ISR if it is enabled. When `CACHE_INT_EN.err_record_en` is high, the Cache will generate a bus error interrupt if access to a wrong address. You can read `CACHE_INT_ST.ahb_error_status` for the cache interrupt status and get the recent error address information from `CACHE_ERR_HADDR.status_haddr`.

## Chapter 10 Timer

### 10.1 Overview

TIMER is a programmable timer peripheral. This component is an APB slave device. In RK3588, there are three types of TIMER according to the count type, which are normal decrement count TIMER, normal increment count TIMER and special function increment count TIMER. The normal decrement count TIMER is called NDCTIMER. The normal increment count TIMER is called NICTIMER. The special function increment count TIMER is called HPTIMER(High Precision TIMER).

5 normal decrement count TIMERS and 1 normal increment count TIMER constitute a 6-channel TIMER. In 6-channel TIMER, TIMER5 is the normal increment count TIMER, and the other channel TIMER is the normal decrement count TIMER.

2 normal increment count TIMERS form a 2-channel TIMER.

HPTIMER has calibration function and provides count value for CPU.

Timer supports the following features:

- All three kinds of counter support 32 bits APB slave.
- All three kinds of counter loading count value support configurable.
- All three kinds of counter support two counting modes: free-running and user-defined count.
- All three kinds of counters support maskable interrupts.
- HPTIMER with three timer mode: Normal, Hardware adjust, Software adjust.
- Hardware adjust mode HPTIMER can be calibrated back to the exact count value without software calculation.
- Software adjust mode HPTIMER can be calibrated back to the exact count value with software-aided calculation.
- Common multiples of slow and fast clock cycles are configurable.

### 10.2 Block Diagram

#### 10.2.1 Normal count TIMER block diagram

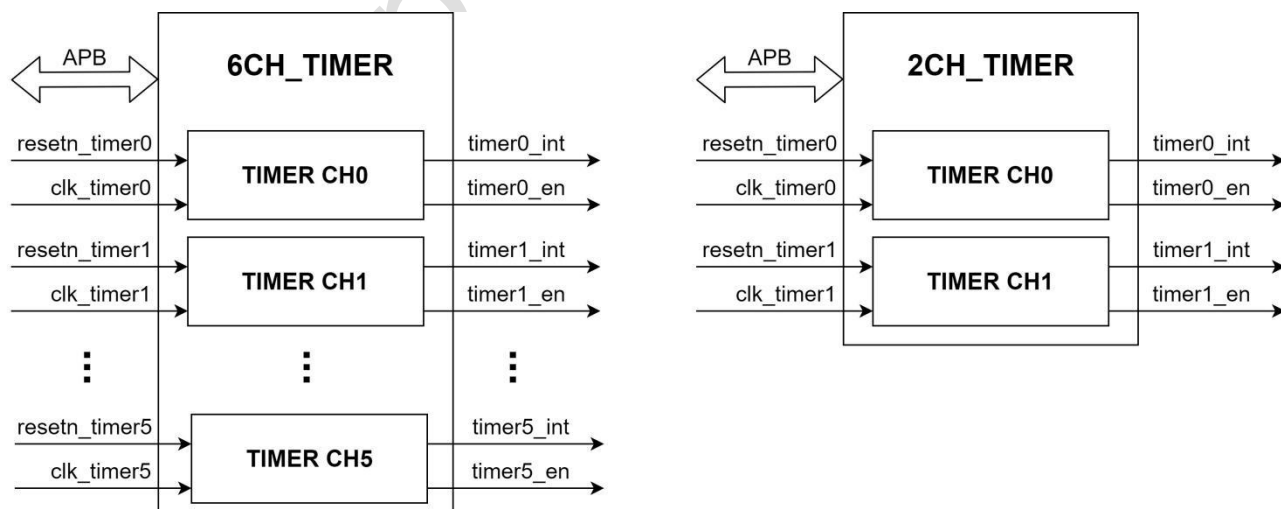


Fig. 10-1 Normal Timer Block Diagram

Fig. 10-1 show 6-channel TIMER and 2-channel TIMER. At 6CH\_TIMER, the TIMER ch0~ch4 are the normal decrement count TIMER and ch5 is the normal increment count TIMER. At 2CH\_TIMER, ch0 and ch1 are common normal increment count TIMER. APB is the read and write interface of timer register. reset\_timern and clk\_timern are reset and count clock for each channel timer. Timern\_int and timern\_en are interrupt and clock enable for each channel timer respectively. (timern is the signal corresponding to TIMER CHn)

## 10.2.2 HPTIMER block diagram

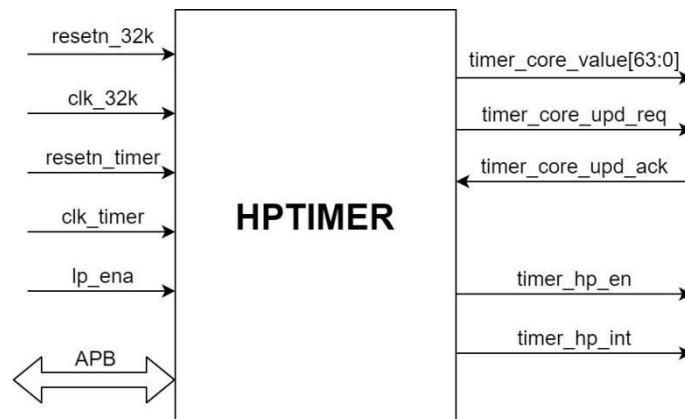


Fig. 10-2 HPTIMER Block Diagram

Fig. 10-2 shows the block diagram of HPTIMER.

HPTIMER has a set of APB interfaces for reading and writing registers.

lp\_ena is the low power enable signal sent by PMU to HPTIMER, and it is also the indication signal of clk\_timer frequency switching.

timer\_core\_value[63:0], timer\_core\_upd\_req, timer\_core\_upd\_ack is the interaction signal with core. timer\_core\_value[63:0] is the count update value, timer\_core\_upd\_req is the update count request signal, timer\_core\_upd\_ack is the update count response signal. timer\_hp\_en is the enabling signal of clk\_32k and clk\_timer clocks. timer\_hp\_int is the interrupt output of HPTIMER.

## 10.3 Function Description

### 10.3.1 TIMER clock

The clock frequency of the counting clock source of NICTIMER and NDCTIMER is 24MHz. The clock source clock of clk\_32k of HPTIMER is 32KHz, and the clock frequency of clk\_timer clock source is switched between 24MHz and 32KHz.

### 10.3.2 Programming sequence

#### 10.3.2.1 NDCTIMER and NICTIMER programming sequence

1. Initialize the TIMER by the TIMER\_TIMERn\_CONTROLREG ( $0 \leq n \leq 5$ ) register:
  - 1) Disable the timer by writing a "0" to the timer enable bit (bit 0). Accordingly, the timer\_en output signal is de-asserted.
  - 2) Program the timer mode—free-running or user-defined—by writing a "0" or "1" respectively, to the timer mode bit (bit 1).
  - 3) Set the interrupt mask as either masked or not masked by writing a "0" or "1" respectively, to the timer interrupt mask bit (bit 2).
2. Load the timer count value into the TIMER\_TIMERn\_LOAD\_COUNT1 ( $0 \leq n \leq 5$ ) and TIMER\_TIMERn\_LOAD\_COUNT0 ( $0 \leq n \leq 5$ ) register.
3. Enable the TIMER by writing a "1" to bit 0 of TIMER\_TIMERn\_CONTROLREG ( $0 \leq n \leq 5$ ).

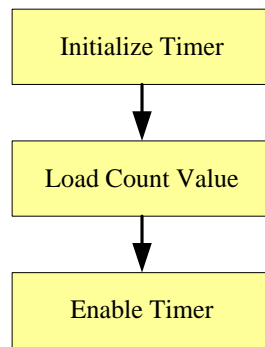


Fig. 10-3 Timer Usage Flow

### 10.3.2.2 HPTIMER programming sequence

#### ● Normal mode

1. Initialize the HPTIMER by the `TIMER_HP_CTRL` register:
    - (1) Disable the HPTIMER by writing a '0' to the timer enable bit (bit 0). Accordingly, the `timer_hp_en` output signal is de-asserted.
    - (2) Program the timer mode, normal mode by writing a 0x0 to the timer mode bits (bit 1 to bit 2).
    - (3) Program the count mode, free-running or user-defined by writing a '0' or '1' to the count mode bit (bit 3).
  2. Load the HPTIMER count value into the `TIMER_HP_LOAD_COUNT1` and `TIMER_HP_LOAD_COUNT0` register.
  3. Enable the HPTIMER by writing a '1' to bit 0 of `TIMER_HP_CTRL`.
- If you want to do another count, repeat steps 1 to 3.

#### ● Hardware adjust mode

1. Initialize the HPTIMER by the `TIMER_HP_CTRL` register:
    - (1) Disable the HPTIMER by writing a '0' to the timer enable bit (bit 0). Accordingly, the `timer_hp_en` output signal is de-asserted.
    - (2) Program the timer mode, normal mode by writing a 0x1 to the timer mode bits (bit 1 to bit 2).
    - (3) Program the count mode, free-running or user-defined by writing a '0' or '1' to the count mode bit (bit 3).
  2. Initialize the HPTIMER by the `TIMER_HP_INTR_STATUS` register. Write 0x7 to `TIMER_HP_INTR_STATUS` register to clear `TIMER_HP_INTR_STATUS` register.
  3. Load the HPTIMER count value into the `TIMER_HP_LOAD_COUNT1` and `TIMER_HP_LOAD_COUNT0` register.
  4. Configure the HPTIMER GCD register.
    - (1) Divide the least common multiple of `clk_timer` and `clk_32k` clock cycle by `clk_timer` clock cycle and configure it in `TIMER_HP_T24_GCD` register.
    - (2) Divide the least common multiple of `clk_timer` and `clk_32k` clock cycle by `clk_32k` clock cycle and configure it in `TIMER_HP_T32_GCD` register.
  5. Enable the HPTIMER by writing a '1' to bit 0 of `TIMER_HP_CTRL`.
  6. Read out the `INTR_STATUS` register until the `ini_adj_done` bit segment (bit 1) is '1', which means that the HPTIMER 32K count is initially adjusted. The low power mode can only be entered after the initial adjustment is completed.
  7. The chip enters and exits the low power consumption mode at any time in between.
  8. Read out the `INTR_STATUS` register until the `sync_done` bit segment (bit 2) is '1', indicating that the HPTIMER count is adjusted.
  9. Write 0x7 to `TIMER_HP_INTR_STATUS` register to clear `TIMER_HP_INTR_STATUS` register.
- If the chip enters and exits the low power consumption mode again, repeat steps 7 to 9.

#### ● Software adjust mode

1. Initialize the HPTIMER by the `TIMER_HP_CTRL` register:
  - (1) Disable the HPTIMER by writing a '0' to the timer enable bit (bit 0). Accordingly, the `timer_hp_en` output signal is de-asserted.
  - (2) Program the timer mode, normal mode by writing a 0x2 to the timer mode bits (bit 1 to bit 2).

- (3) Program the count mode, free-running or user-defined by writing a '0' or '1' to the count mode bit (bit 3).
  2. Initialize the HPTIMER by the `TIMER_HP_INTR_STATUS` and `BEGIN_END_VALID` register. Write 0x7 to `TIMER_HP_INTR_STATUS` register to clear `TIMER_HP_INTR_STATUS` register. write 0x3 to `BEGIN_END_VALID` register to clear `BEGIN_END_VALID` register.
  3. Load the HPTIMER count value into the `TIMER_HP_LOAD_COUNT1` and `TIMER_HP_LOAD_COUNT0` register.
  4. Enable the HPTIMER by writing a '1' to bit 0 of `TIMER_HP_CTRL`.
  5. The chip enters and exits the low power consumption mode at any time in between.
  6. Read out `BEGIN_END_VALID` register until the value of it is 0x3, which indicates that the chip has entered and exited the low power consumption mode, then you can adjust the timer count value. Then write 0x3 to `BEGIN_END_VALID` register to clear the register.
  7. The count value of HPTIMER compensation.
    - (1) Read out `TIMER_HP_T24_32BEGIN1`, `TIMER_HP_T24_32BEGIN0`, `TIMER_HP_T32_24END1` and `TIMER_HP_T32_24END0` register.
    - (2) configure `TIMER_HP_T24_DELAT_COUNT1` and `TIMER_HP_T24_DELAT_COUNT0` registers to compensate for the count values according to the values of these registers read out above.
    - (3) Write 0x1 to `TIMER_HP_SYNC_REQ` register to start compensation counting.
    - (4) Read out the `INTR_STATUS` register until the `sync_done` bit segment (bit 2) is '1', indicating that the compensation count is completed.
  8. Write 0x7 to `TIMER_HP_INTR_STATUS` register to clear `TIMER_HP_INTR_STATUS` register.
- If the chip enters and exits the low power consumption mode again, repeat steps 5 to 8.

### 10.3.3 Loading a timer count value

For the descending TIMER(that is, the value from which it counts down). The initial value for each TIMER is loaded into the TIMER using the load count register (`TIMER_TIMERn_LOAD_COUNT1` and `TIMER_TIMERn_LOAD_COUNT0`). Two events can cause a TIMER to load the initial value from its load count register:

- TIMER is enabled after reset or disabled.
- TIMER counts down to 0, when TIMER is configured into free-running mode.

For the incremental TIMER(that is, the value from which it counts up). The initial value for each timer is zero. The count register will count up to the value loaded in the register `TIMER_TIMERn_LOAD_COUNT1` and `TIMER_TIMERn_LOAD_COUNT0`. Two events can cause a TIMER to load zero:

- TIMER is enabled after reset or disabled.
- TIMER counts up to the value stored in `TIMER_TIMERn_LOAD_COUNT1` and `TIMER_TIMERn_LOAD_COUNT0`, when timer is configured into free-running mode.

### 10.3.4 Timer mode selection

- User-defined count mode – TIMER loads `TIMER_TIMERn_LOAD_COUNT1` and `TIMER_TIMERn_LOAD_COUNT0` registers (for descending TIMER) or zero (for incremental TIMER) as initial value. When the TIMER counts down to 0 (for descending TIMER) or counts up to the value in `TIMER_TIMERn_LOAD_COUNT1` and `TIMER_TIMERn_LOAD_COUNT0` (for incremental TIMER), it will not automatically reload the count register. User need to disable timer firstly and follow the programming sequence to make timer work again.
- Free-running mode – TIMER loads the `TIMER_TIMERn_LOAD_COUNT1` and `TIMER_TIMERn_LOAD_COUNT0`(for descending TIMER) or zero(for incremental TIMER) register as initial value. TIMER will automatically reload the count register, when timer counts down to 0(for descending TIMER) or counts up to the value in `TIMER_TIMERn_LOAD_COUNT1` and `TIMER_TIMERn_LOAD_COUNT0` (for incremental TIMER).

## 10.4 Register Description

### 10.4.1 Registers Summary

#### 10.4.1.1 Normal Count TIMER Register Summary

For 2-channel normal count TIMER, the base address of channel 1 is greater than that of channel 0 by 0x20. For 6-channel normal count TIMER, the base address of channel 1 is greater than that of channel 0 by 0x20, the base address of channel 2 is greater than that of channel 1 by 0x20, and so on. The revision register offset of 2-channel / 6-channel normal count TIMER is 0xf0.

If you want to know that each TIMER is 2-channel or 6-channel, please refer to the "TIMER attributes" section at the end of "Chapter TIMER".

Name	Offset	Size	Reset Value	Description
TIMER_TIMERn_LOAD_COUNT0	0x0000 +n*0x20	W	0x00000000	Timern Load Count Register 0
TIMER_TIMERn_LOAD_COUNT1	0x0004 +n*0x20	W	0x00000000	Timern Load Count Register 1.Higher 32 bits Value to be loaded into Timer n. This is the value from which counting commences
TIMER_TIMERn_CURRENT_VALUE0	0x0008 +n*0x20	W	0x00000000	Timern Current Value Register 0
TIMER_TIMERn_CURRENT_VALUE1	0x000c +n*0x20	W	0x00000000	Timern Current Value Register 1.High 32 bits of Current Value of Timer n
TIMER_TIMERn_CONTROL_REG	0x0010 +n*0x20	W	0x00000000	Timern Control Register
TIMER_TIMERn_INTSTATUS	0x0018 +n*0x20	W	0x00000000	Timern Interrupt Status Register
TIMER_2CH_REVISION	0x00F0	W	0x15650302	2-channel TIMER version
TIMER_6CH_REVISION	0x00F0	W	0x11972006	6-channel TIMER version

Notes: **S**- Size, **B**- Byte (8 bits) access, **HW**- Half WORD (16 bits) access, **W**-WORD (32 bits) access

#### 10.4.1.2 HPTIMER Register Summary

Name	Offset	Size	Reset Value	Description
TIMER_HP_REVISION	0x0000	W	0x13D10201	HPTIMER version
TIMER_HP_CTRL	0x0004	W	0x00000000	HPTIMER control
TIMER_HP_INTR_EN	0x0008	W	0x00000000	Interrupt mask
TIMER_HP_T24_GCD	0x000C	W	0x00000000	Common multiple div 24M
TIMER_HP_T32_GCD	0x0010	W	0x00000000	Common multiple div 32K
TIMER_HP_LOAD_COUNT0	0x0014	W	0x00000000	Low 32bits of load count value
TIMER_HP_LOAD_COUNT1	0x0018	W	0x00000000	High 32bits of load count value
TIMER_HP_T24_DELAT_COUNT0	0x001C	W	0x00000000	Low 32bits of 24M clock delay time count value
TIMER_HP_T24_DELAT_COUNT1	0x0020	W	0x00000000	High 32bits of 24M clock delay time count value

Name	Offset	Size	Reset Value	Description
<u>TIMER_HP_CURR_32K_VALUE0</u>	0x0024	W	0x00000000	Low 32bits of current cnt_32k value
<u>TIMER_HP_CURR_32K_VALUE1</u>	0x0028	W	0x00000000	High 32bits of current cnt_32k value
<u>TIMER_HP_CURR_TIMER_VALUE0</u>	0x002C	W	0x00000000	Low 32bits of current timer_cnt value
<u>TIMER_HP_CURR_TIMER_VALUE1</u>	0x0030	W	0x00000000	High 32bits of current timer_cnt value
<u>TIMER_HP_T24_32BEGIN_0</u>	0x0034	W	0x00000000	Low 32 bits of low power begin
<u>TIMER_HP_T24_32BEGIN_1</u>	0x0038	W	0x00000000	High 32 bits of low power begin
<u>TIMER_HP_T32_24END0</u>	0x003C	W	0x00000000	Low 32 bits of low power end
<u>TIMER_HP_T32_24END1</u>	0x0040	W	0x00000000	High 32 bits of low power end
<u>TIMER_HP_BEGIN_END_VALID</u>	0x0044	W	0x00000000	Low power count value valid
<u>TIMER_HP_SYNC_REQ</u>	0x0048	W	0x00000000	Synchronize request
<u>TIMER_HP_INTR_STATUS</u>	0x004C	W	0x00000000	Interrupt status

Notes: **Size:** **B**- Byte (8 bits) access, **HW**- Half WORD (16 bits) access, **W**-WORD (32 bits) access, **DW**- Double WORD (64 bits) access

## 10.4.2 Detail Register Description

### 10.4.2.1 Normal Count TIMER Detail Register Description

#### **TIMER\_TIMERn\_LOAD\_COUNT0**

Address: Operational Base + offset (0x0000+n\*0x20)

Bit	Attr	Reset Value	Description
31:0	RW	0x00000000	load_count_0 Lower 32 bits Value to be loaded into Timer n. This is the value from which counting commences.

#### **TIMER\_TIMERn\_LOAD\_COUNT1**

Address: Operational Base + offset (0x0004+n\*0x20)

Bit	Attr	Reset Value	Description
31:0	RW	0x00000000	load_count_1 Higher 32 bits Value to be loaded into Timer n. This is the value from which counting commences.

#### **TIMER\_TIMERn\_CURRENT\_VALUE0**

Address: Operational Base + offset (0x0008+n\*0x20)

Bit	Attr	Reset Value	Description
31:0	RO	0x00000000	timern_current_value0 Lower 32 bits of Current Value of Timer n.

#### **TIMER\_TIMERn\_CURRENT\_VALUE1**

Address: Operational Base + offset (0x000c+n\*0x20)

Bit	Attr	Reset Value	Description
31:0	RO	0x00000000	timern_current_value1 Higher 32 bits of Current Value of Timer n.

#### **TIMER\_TIMERn\_CONTROLREG**



Address: Operational Base + offset (0x0010+n\*0x20)

Bit	Attr	Reset Value	Description
31:3	RO	0x0	Reserved
2	RW	0x0	timer_int_en Timer interrupt enable 1'b0: Disable 1'b1: Enable
1	RW	0x0	timer_mode Timer mode 1'b0: Free-running mode 1'b1: User-defined count mode
0	RW	0x0	timer_en Timer enable 1'b0: Disable 1'b1: Enable

**TIMER TIMERN INTSTATUS**

Address: Operational Base + offset (0x0018+n\*0x20)

Bit	Attr	Reset Value	Description
31:1	RO	0x0	Reserved
0	RO	0x0	timern_int This register contains the interrupt status for timern.

**TIMER 2CH REVISION**

Address: Operational Base + offset (0x00F0)

Bit	Attr	Reset Value	Description
31:16	RO	0x1565	svn_revision SVN revision: 16'd5477.
15:10	RO	0x00	reserved
9	RW	0x1	ch1_type Channel 1 is a count up counter.
8	RW	0x1	ch0_type Channel 0 is a count up counter.
7:0	RO	0x02	ip_function IP function: 16'd2.

**TIMER 6CH REVISION**

Address: Operational Base + offset (0x00F0)

Bit	Attr	Reset Value	Description
31:16	RW	0x1197	svn_revision SVN revision: 16'd4503.
15:14	RO	0x0	reserved
13	RW	0x1	ch5_type Channel 5 is a count up counter.
12	RW	0x0	ch4_type Channel 4 is a count down counter.
11	RW	0x0	ch3_type Channel 3 is a count down counter.
10	RW	0x0	ch2_type Channel 2 is a count down counter.

Bit	Attr	Reset Value	Description
9	RW	0x0	ch1_type Channel 1 is a count down counter.
8	RW	0x0	ch0_type Channel 0 is a count down counter.
7:0	RW	0x06	ip_function IP function: 16'd6.

### 10.4.2.2 HPTIMER Detail Register Description

#### **TIMER\_HP\_REVISION**

Address: Operational Base + offset (0x0000)

Bit	Attr	Reset Value	Description
31:16	RO	0x13d1	svn_revision SVN revision: 16'd5073.
15:10	RO	0x00	reserved
9:8	RW	0x2	ch_type Channel 0 is a low power recovery self-correction count up counter.
7:0	RO	0x01	ip_function IP function: 16'd1.

#### **TIMER\_HP\_CTRL**

Address: Operational Base + offset (0x0004)

Bit	Attr	Reset Value	Description
31:4	RO	0x00000000	reserved
3	RW	0x0	count_mode Timer count mode 1'b0: Free-running mode 1'b1: User-defined count mode
2:1	RW	0x0	timer_mode Select timer as which timer 2'b00: Normal timer 2'b01: Adjust timer with hardware adjust 2'b10: Adjust timer with software adjust
0	RW	0x0	timer_en Timer enable 1'b0: Disable 1'b1: Enable

#### **TIMER\_HP\_INTR\_EN**

Address: Operational Base + offset (0x0008)

Bit	Attr	Reset Value	Description
31:3	RO	0x00000000	reserved
2	RW	0x0	sync_done_intr_en Synchronization done interrupt enable 1'b0: Disable 1'b1: Enable
1	RW	0x0	ini_adj_done_intr_en Initial adjust done interrupt enable 1'b0: Disable 1'b1: Enable
0	RW	0x0	count_reach_intr_en Timer count reach load_count interrupt enable 1'b0: Disable 1'b1: Enable

**TIMER\_HP\_T24\_GCD**

Address: Operational Base + offset (0x000C)

Bit	Attr	Reset Value	Description
31:0	RW	0x00000000	t24_gcd The least common multiple of 24M and 32K clock cycles divided by 24M clock cycles.

**TIMER\_HP\_T32\_GCD**

Address: Operational Base + offset (0x0010)

Bit	Attr	Reset Value	Description
31:0	RW	0x00000000	t32_gcd The least common multiple of 24M and 32K clock cycles divided by 32K clock cycles.

**TIMER\_HP\_LOAD\_COUNT0**

Address: Operational Base + offset (0x0014)

Bit	Attr	Reset Value	Description
31:0	RW	0x00000000	load_count0 Low 32bits of load count value.

**TIMER\_HP\_LOAD\_COUNT1**

Address: Operational Base + offset (0x0018)

Bit	Attr	Reset Value	Description
31:0	RW	0x00000000	load_count1 High 32bits of load count value.

**TIMER\_HP\_T24\_DELAT\_COUNT0**

Address: Operational Base + offset (0x001C)

Bit	Attr	Reset Value	Description
31:0	RW	0x00000000	t24_delay_time_count0 Low 32bits of 24M clock delay time count value.

**TIMER\_HP\_T24\_DELAT\_COUNT1**

Address: Operational Base + offset (0x0020)

Bit	Attr	Reset Value	Description
31:0	RW	0x00000000	t24_delay_time_count1 High 32bits of 24M clock delay time count value.

**TIMER\_HP\_CURR\_32K\_VALUE0**

Address: Operational Base + offset (0x0024)

Bit	Attr	Reset Value	Description
31:0	RO	0x00000000	current_32k_value0 Low 32bits of current cnt_32k value.

**TIMER\_HP\_CURR\_32K\_VALUE1**

Address: Operational Base + offset (0x0028)

Bit	Attr	Reset Value	Description
31:0	RO	0x00000000	current_32k_value1 High 32bits of current cnt_32k value.

**TIMER\_HP\_CURR\_TIMER\_VALUE0**

Address: Operational Base + offset (0x002C)

Bit	Attr	Reset Value	Description
31:0	RO	0x00000000	current_value0 Low 32bits of current timer_cnt value.

**TIMER\_HP\_CURR\_TIMER\_VALUE1**

Address: Operational Base + offset (0x0030)

Bit	Attr	Reset Value	Description
31:0	RO	0x00000000	current_value1 High 32bits of current timer_cnt value.

**TIMER\_HP\_T24\_32BEGIN0**

Address: Operational Base + offset (0x0034)

Bit	Attr	Reset Value	Description
31:0	RO	0x00000000	t24_32begin0 24M switches to 32K clock, with a low 32 bits of timer_cnt value.

**TIMER\_HP\_T24\_32BEGIN1**

Address: Operational Base + offset (0x0038)

Bit	Attr	Reset Value	Description
31:0	RO	0x00000000	t24_32begin1 24M switches to 32K clock, with a high 32 bits of timer_cnt value.

**TIMER\_HP\_T32\_24END0**

Address: Operational Base + offset (0x003C)

Bit	Attr	Reset Value	Description
31:0	RO	0x00000000	t32_24end0 32K switches to 24M clock, with a low 32 bits of timer_cnt value.

**TIMER\_HP\_T32\_24END1**

Address: Operational Base + offset (0x0040)

Bit	Attr	Reset Value	Description
31:0	RO	0x00000000	t32_24end1 32K switches to 24M clock, with a high 32 bits of timer_cnt value.

**TIMER\_HP\_BEGIN\_END\_VALID**

Address: Operational Base + offset (0x0044)

Bit	Attr	Reset Value	Description
31:2	RO	0x00000000	reserved
1	W1 C	0x0	t32_24end_valid T32_24END value valid 1'b0: Invalid 1'b1: Valid
0	W1 C	0x0	t24_32begin_valid T24_32BEGIN value valid 1'b0: Invalid 1'b1: Valid

**TIMER\_HP\_SYNC\_REQ**

Address: Operational Base + offset (0x0048)

Bit	Attr	Reset Value	Description
31:1	RO	0x00000000	reserved
0	R/W SC	0x0	sync_request Timer_cnt synchronize request.

**TIMER\_HP\_INTR\_STATUS**

Address: Operational Base + offset (0x004C)

Bit	Attr	Reset Value	Description
31:3	RO	0x00000000	reserved
2	W1 C	0x0	sync_done Timer_cnt synchronization done.
1	W1 C	0x0	ini_adj_done Cnt_32k initial adjust done.
0	W1 C	0x0	count_reach Normal counter: timer_cnt reach load_count value.

## 10.5 Application Notes

### 10.5.1 Clock and Enable

In the chip, the timer\_clk is from 24MHz XIN\_OSC, asynchronous to the pclk. When user disables the timer enables bit (bit 0 of TIMERN\_CONTROLREG (0≤n≤5)), the timer en output signal is de-asserted, and timer\_clk will stop. When user enables the timer, the timer\_en signal is asserted and timer\_clk will start running.

The application is only allowed to re-config registers when timer\_en is low.

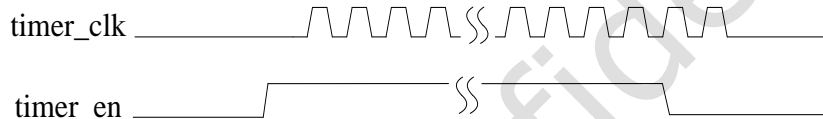


Fig. 10-4 Timing between timer\_en and timer\_clk

Please refer to function description section for the timer usage flow.

### 10.5.2 HPTIMER application notes

- Initial adjustment, synchronous counting adjustment time is about 2ms.
- When HPTIMER is used as software / hardware adjustment count, the count reaches the TIMER\_HP\_LOAD\_COUNT value, the interrupt status bit will be set, but the count will not stop and continue to count.
- The timer\_en of the CTRL register will output as a reference signal for timer clock gating. When timer\_en is '0', it will gate the 24M and 32K clocks of the input timer. The application is only allowed to re-config registers when timer\_en is low.

### 10.5.3 TIMER attributes

Table 10-1 shows the TIMER name corresponding to each TIMER, the total number of channels and their PD. It also shows the base address of each TIMER, in which the difference of TIMER address offset between adjacent channels in each TIMER is 0x20.

Table 10-1 TIMER attribute

TIMER Name	CH NUM	PD	Base Address
TIMER_PMU	2	pd_pmu1	0xfd8f0000
TIMER_NPU	2	pd_npu	0xfdb00000
TIMER_DDR	2	pd_center	0xfe118000
TIMER_S_0	6	pd_secure	0xfe3d0000
TIMER_S_1	6	pd_bus	0xfed30000
TIMER_NS_0	6	pd_bus	0xfeae0000
TIMER_NS_1	6	pd_bus	0xfeae8000
HP_TIMER	1	pd_pmu0	0xfd8c8000

## Chapter 11 GIC600

### 11.1 Overview

The GIC600 is a generic interrupt controller that handles interrupts from peripherals to the cores and between cores.

The GIC600 supports the GICv3 architecture, refer to the [Arm® Generic Interrupt Controller Architecture Specification, GIC architecture version 3.0 and version 4.0.](#)

The version of GIC600 is r1p6-00rel0. The configuration of GIC600 is shown below:

Table 11-1 GIC600 Configuration

Configuration item	Value
num_clusters	1
cpus_per_clstuter_0	8
num_spis	480
disable_security	false
lpi_support	true
monolithic	0
ppi_count	1
its_count	2
bypass_port	1
lpi_ram_depth	128
did_width	16
vid_width	16
col_width	4
axis_rid_width(GICD)	10
axis_wid_width(GICD)	10
axim_addr_width(GICD)	35
axim_data_width(GICD)	64
axis_addr_width(GICD)	32
axis_data_width(GICD)	64
axis_rid_width(ITS)	8
axis_wid_width(ITS)	8
axim_addr_width(ITS)	35
axim_data_width(ITS)	128
axis_addr_width(ITS)	35
axis_data_width(ITS)	128

The GIC600 in RK3588 supports following feature:

- Support 1 cluster
- Support cluster 0 with 8 CPUs
- Support 0-32GB address space access by ITS and GICD
- According to the design of SOC, only support Non-shareable attribute of accesses to the LPI tables
- The following interrupt types:
  - Locality-specific Peripheral Interrupts (LPIs). These interrupts are generated by a peripheral writing to a memory-mapped register in the ITS
  - 480 Shared Peripheral Interrupts (SPIs)
  - 12 Private Peripheral Interrupts (PPIs), that are independent for each core and can be programmed to support either edge-triggered or level-sensitive interrupts
  - 16 SGIs, that are generated either by using software to write to GICD\_SGIR or through the GIC CPU interface of a core
- Interrupt Translation Service (ITS). This provides device isolation and ID translation for message-based interrupts, which allows virtual machines to program devices directly
- Memory-mapped access to all registers
- Interrupt masking and prioritization

- Programmable interrupt routing that is based on affinity
- Three different interrupt groups, which allow interrupts to target different Exception levels:
  - Group 0
  - Non-secure Group 1
  - Secure Group 1
- A global Disable Security (DS) bit. This allows support for systems with and without security
- 32 priority values, five bits for each interrupt

## 11.2 Block Diagram

The GIC600 in the RK3588 is connected with CPU cluster through AXI Stream bus. As we can see, ITS is a separate component outside of the Distributor(GICD), since the monolithic configuration is 0. What's more, the GIC Domain and ITS Domain are placed in different power domain which are pd\_bus and pd\_php power domain respectively. As shown below:

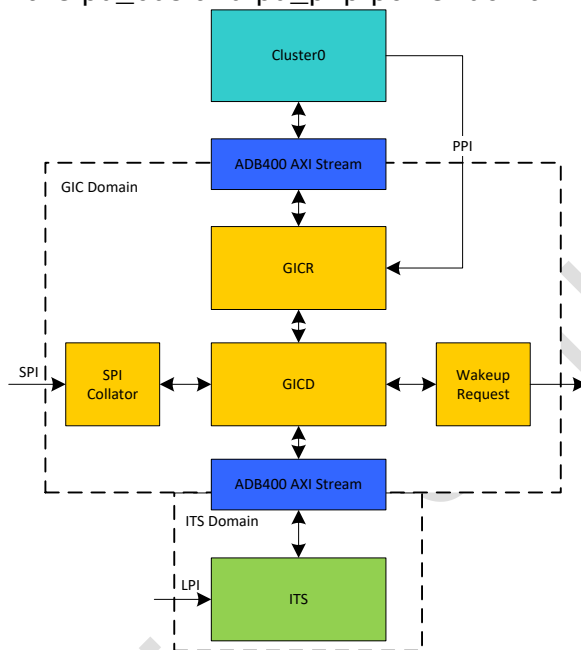


Fig.11-1 Block Diagram

## 11.3 Function Description

Please refer to the document [ARM\\_GIC-600\\_r1p6-00rel0\\_Technical\\_Reference\\_Manual.pdf](#) for the detail function description. When we use Q-Channel for clock gating the GIC600 Distributor, remember to configure the bit[1] of SYS\_GRF\_GIC\_CON0 to 1'b0.

## Chapter 12 DMA Controller (DMAC)

### 12.1 Overview

This device supports 3 Direct Memory Access (DMA) Controller. DMAC0/1/2 support transfers between memory and memory, peripheral and memory. DMAC0/1/2 is under Non-secure state after reset, and the Secure state can be changed by configurable SGRF module.

DMAC supports the following features:

- DMAC0 Supports 24 peripheral requests
- DMAC1 Supports 23 peripheral requests
- DMAC2 Supports 21 peripheral requests
- Up to 64 bits data size
- 8 channel at the same time
- Up to burst 16
- 16 interrupts output and 1 abort output
- Supports 128 MFIFO depth

Following table shows the DMAC request mapping scheme.

Table 12-1 DMAC Request Mapping Table

DMAC0		
Req number	Source	Polarity
0	I2S0_8CH_TX	High level
1	I2S0_8CH_RX	High level
2	I2S1_8CH_TX	High level
3	I2S1_8CH_RX	High level
4	PDM0	High level
5	SPDIF0	High level
6	UART0_TX	High level
7	UART0_RX	High level
8	UART1_TX	High level
9	UART1_RX	High level
10	UART2_TX	High level
11	UART2_RX	High level
12	UART3_TX	High level
13	UART3_RX	High level
14	SPI0_TX	High level
15	SPI0_RX	High level
16	SPI1_TX	High level
17	SPI1_RX	High level
18	PWM_PMU	High level
19	CAN0_TX	High level
20	CAN0_RX	High level
21	SPDIF_RX0	High level
22	SPDIF_RX1	High level
23	SPDIF_RX2	High level
DMAC1		
Req number	Source	Polarity
0	I2S2_2CH_TX	High level
1	I2S2_2CH_RX	High level
2	I2S3_2CH_TX	High level
3	I2S3_2CH_RX	High level
4	PDM1	High level
5	SPDIF1	High level
6	SPDIF2	High level
7	SPDIF3	High level
8	SPDIF4	High level



9	UART4_TX	High level
10	UART4_RX	High level
11	UART5_TX	High level
12	UART5_RX	High level
13	UART6_TX	High level
14	UART6_RX	High level
15	SPI2_TX	High level
16	SPI2_RX	High level
17	SPI3_TX	High level
18	SPI3_RX	High level
19	PWM1	High level
20	CAN1_TX	High level
21	CAN1_RX	High level
22	SPDIF5	High level
DMAC2		
Req number	Source	Polarity
0	I2S4_8CH_TX	High level
2	I2S5_8CH_TX	High level
4	I2S6_8CH_TX	High level
7	UART7_TX	High level
8	UART7_RX	High level
9	UART8_TX	High level
10	UART8_RX	High level
11	UART9_TX	High level
12	UART9_RX	High level
13	SPI4_TX	High level
14	SPI4_RX	High level
15	PWM2	High level
16	PWM3	High level
17	CAN2_TX	High level
18	CAN2_RX	High level
19	SDMMC_BUFFER	High level
21	I2S7_8CH_RX	High level
22	I2S8_8CH_TX	High level
23	I2S9_8CH_RX	High level
24	I2S10_8CH_RX	High level

DMAC supports incrementing-address burst and fixed-address burst. But in the case of access to SPI and UART at byte or half word size, DMAC only supports fixed-address burst and the address must be aligned to word.

## 12.2 Block Diagram

Following figure shows the block diagram of DMAC.

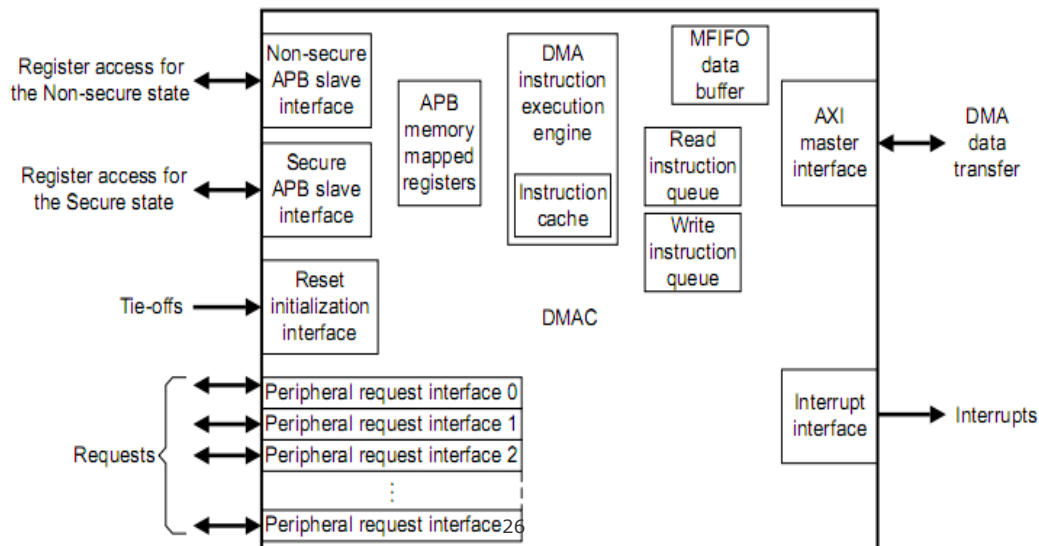


Fig. 12-1 Block Diagram of DMAC

As the DMAC supports TrustZone technology, so dual APB interfaces enable the operation of the DMAC to be partitioned into the Secure state and Non-secure state. You can use the APB interfaces to access status registers and also directly execute instructions in the DMAC. The default interface after reset is Non-secure APB interface.

## 12.3 Function Description

### 12.3.1 Introduction

The DMAC contains an instruction processing block that enables it to process program code that controls a DMA transfer. The program code is stored in a region of system memory that the DMAC accesses using its AXI interface. The DMAC stores instructions temporarily in a cache. It supports 8 channels, each channel capable of supporting a single concurrent thread of DMA operation. In addition, a single DMA manager thread exists, and you can use it to initialize the DMA channel threads. The DMAC executes up to one instruction for each AXI clock cycle. To ensure that it regularly executes each active thread, it alternates by processing the DMA manager thread and then a DMA channel thread. It uses a round-robin process when selecting the next active DMA channel thread to execute.

The DMAC uses variable-length instructions that consist of one to six bytes. It provides a separate Program Counter (PC) register for each DMA channel. When a thread requests an instruction from an address, the cache performs a look-up. If a cache hit occurs, then the cache immediately provides the data. Otherwise, the thread is stalled while the DMAC uses the AXI interface to perform a cache line fill. If an instruction is greater than 4 bytes, or spans the end of a cache line, the DMAC performs multiple cache accesses to fetch the instruction.

When a cache line fill is in progress, the DMAC enables other threads to access the cache, but if another cache miss occurs, this stalls the pipeline until the first line fill is complete. When a DMA channel thread executes a load or store instruction, the DMAC adds the instruction to the relevant read or write queue. The DMAC uses these queues as an instruction storage buffer prior to it issuing the instructions on the AXI bus. The DMAC also contains a Multi First-In-First-Out (MFIFO) data buffer that it uses to store data that it reads, or writes, during a DMA transfer.

### 12.3.2 Operating states

Following figure shows the operating states for the DMA manager thread and DMA channel threads.

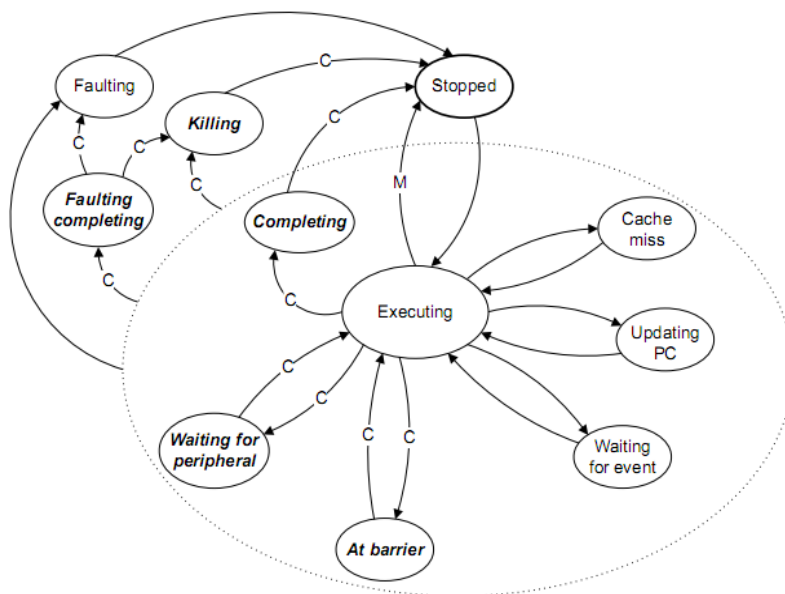


Fig. 12-2 DMAC Operation State

Notes: arcs with no letter designator indicate state transitions for the DMA manager and DMA channel threads, otherwise use is restricted as follows:

C DMA channel threads only.

M DMA manager thread only.

After the DMAC exits from reset, it sets all DMA channel threads to the stopped state, and DMA manager thread moves to the Stopped state.

## 12.4 Register Description

### 12.4.1 Internal Address Mapping

Slave address can be divided into different length for different usage, which is shown as follows.

### 12.4.2 Registers Summary

Name	Offset	Size	Reset Value	Description
DMAC_DSR	0x0000	W	0x00000000	DMA Manager Status Register
DMAC_DPC	0x0004	W	0x00000000	DMA Program Counter Register
DMAC_INTEN	0x0020	W	0x00000000	Interrupt Enable Register
DMAC_EVENT_RIS	0x0024	W	0x00000000	Event-Interrupt Raw Status Register
DMAC_INTMIS	0x0028	W	0x00000000	Interrupt Status Register
DMAC_INTCLR	0x002c	W	0x00000000	Interrupt Clear Register
DMAC_FSRD	0x0030	W	0x00000000	Fault Status DMA Manager Register
DMAC_FSRC	0x0034	W	0x00000000	Fault Status DMA Channel Register
DMAC_FTRD	0x0038	W	0x00000000	Fault Type DMA Manager Register
DMAC_FTR0	0x0040	W	0x00000000	Fault Type DMA Channel 0 Register
DMAC_FTR1	0x0044	W	0x00000000	Fault Type DMA Channel 1 Register
DMAC_FTR2	0x0048	W	0x00000000	Fault Type DMA Channel 2 Register
DMAC_FTR3	0x004c	W	0x00000000	Fault Type DMA Channel 3 Register
DMAC_FTR4	0x0050	W	0x00000000	Fault Type DMA Channel 4 Register

<b>Name</b>	<b>Offset</b>	<b>Size</b>	<b>Reset Value</b>	<b>Description</b>
<u>DMAC_FTR5</u>	0x0054	W	0x00000000	Fault Type DMA Channel 5 Register
<u>DMAC_FTR6</u>	0x0058	W	0x00000000	Fault Type DMA Channel 6 Register
<u>DMAC_FTR7</u>	0x005c	W	0x00000000	Fault Type DMA Channel 7 Register
<u>DMAC_CSR0</u>	0x0100	W	0x00000000	Channel 0 Status Register
<u>DMAC_CPC0</u>	0x0104	W	0x00000000	Channel 0 Program Counter Register
<u>DMAC_CSR1</u>	0x0108	W	0x00000000	Channel 1 Status Register
<u>DMAC_CPC1</u>	0x010c	W	0x00000000	Channel 1 Program Counter Register
<u>DMAC_CSR2</u>	0x0110	W	0x00000000	Channel 2 Status Register
<u>DMAC_CPC2</u>	0x0114	W	0x00000000	Channel 2 Program Counter Register
<u>DMAC_CSR3</u>	0x0118	W	0x00000000	Channel 3 Status Register
<u>DMAC_CPC3</u>	0x011c	W	0x00000000	Channel 3 Program Counter Register
<u>DMAC_CSR4</u>	0x0120	W	0x00000000	Channel 4 Status Register
<u>DMAC_CPC4</u>	0x0124	W	0x00000000	Channel 4 Program Counter Register
<u>DMAC_CSR5</u>	0x0128	W	0x00000000	Channel 5 Status Register
<u>DMAC_CPC5</u>	0x012c	W	0x00000000	Channel 5 Program Counter Register
<u>DMAC_CSR6</u>	0x0130	W	0x00000000	Channel 6 Status Register
<u>DMAC_CPC6</u>	0x0134	W	0x00000000	Channel 6 Program Counter Register
<u>DMAC_CSR7</u>	0x0138	W	0x00000000	Channel 7 Status Register
<u>DMAC_CPC7</u>	0x013c	W	0x00000000	Channel 7 Program Counter Register
<u>DMAC_SAR0</u>	0x0400	W	0x00000000	Channel 0 Source Address Register
<u>DMAC_DAR0</u>	0x0404	W	0x00000000	Channel 0 Destination Address Register
<u>DMAC_CCR0</u>	0x0408	W	0x00000000	Channel 0 Channel Control Register
<u>DMAC_LC0_0</u>	0x040c	W	0x00000000	Channel 0 Loop Counter 0 Register
<u>DMAC_LC1_0</u>	0x0410	W	0x00000000	Channel 0 Loop Counter 1 Register
<u>DMAC_SAR1</u>	0x0420	W	0x00000000	Channel 1 Source Address Register
<u>DMAC_DAR1</u>	0x0424	W	0x00000000	Channel 1 Destination Address Register
<u>DMAC_CCR1</u>	0x0428	W	0x00000000	Channel 1 Channel Control Register
<u>DMAC_LC0_1</u>	0x042c	W	0x00000000	Channel 1 Loop Counter 0 Register
<u>DMAC_LC1_1</u>	0x0430	W	0x00000000	Channel 1 Loop Counter 1 Register
<u>DMAC_SAR2</u>	0x0440	W	0x00000000	Channel 2 Source Address Register

<b>Name</b>	<b>Offset</b>	<b>Size</b>	<b>Reset Value</b>	<b>Description</b>
<u>DMAC DAR2</u>	0x0444	W	0x00000000	Channel 2 Destination Address Register
<u>DMAC CCR2</u>	0x0448	W	0x00000000	Channel 2 Channel Control Register
<u>DMAC LC0 2</u>	0x044c	W	0x00000000	Channel 2 Loop Counter 0 Register
<u>DMAC LC1 2</u>	0x0450	W	0x00000000	Channel 2 Loop Counter 1 Register
<u>DMAC SAR3</u>	0x0460	W	0x00000000	Channel 3 Source Address Register
<u>DMAC DAR3</u>	0x0464	W	0x00000000	Channel 3 Destination Address Register
<u>DMAC CCR3</u>	0x0468	W	0x00000000	Channel 3 Channel Control Register
<u>DMAC LC0 3</u>	0x046c	W	0x00000000	Channel 3 Loop Counter 0 Register
<u>DMAC LC1 3</u>	0x0470	W	0x00000000	Channel 3 Loop Counter 1 Register
<u>DMAC SAR4</u>	0x0480	W	0x00000000	Channel 4 Address Register
<u>DMAC DAR4</u>	0x0484	W	0x00000000	Channel 4 Destination Address Register
<u>DMAC CCR4</u>	0x0488	W	0x00000000	Channel 4 Channel Control Register
<u>DMAC LC0 4</u>	0x048c	W	0x00000000	Channel 4 Loop Counter 0 Register
<u>DMAC LC1 4</u>	0x0490	W	0x00000000	Channel 4 Loop Counter 1 Register
<u>DMAC SAR5</u>	0x04a0	W	0x00000000	Channel 5 Address Register
<u>DMAC DAR5</u>	0x04a4	W	0x00000000	Channel 5 Destination Address Register
<u>DMAC CCR5</u>	0x04a8	W	0x00000000	Channel 5 Channel Control Register
<u>DMAC LC0 5</u>	0x04ac	W	0x00000000	Channel 5 Loop Counter 0 Register
<u>DMAC LC1 5</u>	0x04b0	W	0x00000000	Channel 5 Loop Counter 1 Register
<u>DMAC SAR6</u>	0x04c0	W	0x00000000	Channel 6 Source Address Register
<u>DMAC DAR6</u>	0x04c4	W	0x00000000	Channel 6 Destination Address Register
<u>DMAC CCR6</u>	0x04c8	W	0x00000000	Channel 6 Channel Control Register
<u>DMAC LC0 6</u>	0x04cc	W	0x00000000	Channel 6 Loop Counter 0 Register
<u>DMAC LC1 6</u>	0x04d0	W	0x00000000	Channel 6 Loop Counter 1 Register
<u>DMAC SAR7</u>	0x04e0	W	0x00000000	Channel 7 Source Address Register
<u>DMAC DAR7</u>	0x04e4	W	0x00000000	Channel 7 Destination Address Register
<u>DMAC CCR7</u>	0x04e8	W	0x00000000	Channel 7 Channel Control Register

Name	Offset	Size	Reset Value	Description
<u>DMAC LC0_7</u>	0x04ec	W	0x00000000	Channel 7 Loop Counter 0 Register
<u>DMAC LC1_7</u>	0x04f0	W	0x00000000	Channel 7 Loop Counter 1 Register
<u>DMAC DBGSTATUS</u>	0x0d00	W	0x00000000	Debug Status Register
<u>DMAC DBGCMD</u>	0x0d04	W	0x00000000	Debug Command Register
<u>DMAC DBGINST0</u>	0x0d08	W	0x00000000	Debug Instruction-0 Register
<u>DMAC DBGINST1</u>	0x0d0c	W	0x00000000	Debug Instruction-1 Register
<u>DMAC CR0</u>	0x0e00	W	0x001f3075	Configuration Register 0
<u>DMAC CR1</u>	0x0e04	W	0x000000b5	Configuration Register 1
<u>DMAC CR2</u>	0x0e08	W	0x00000000	Configuration Register 2
<u>DMAC CR3</u>	0x0e0c	W	0x0000ffff	Configuration Register 3
<u>DMAC CR4</u>	0x0e10	W	0x0000ffff	Configuration Register 4
<u>DMAC CRDn</u>	0x0e14	W	0x07ff7f73	Configuration Register
<u>DMAC WD</u>	0x0e80	W	0x00000000	DMA Watchdog Register

Notes: **Size:** **B**- Byte (8 bits) access, **HW**- Half WORD (16 bits) access, **W**-WORD (32 bits) access

### 12.4.3 Detail Register Description

#### **DMAC DSR**

Address: Operational Base + offset (0x0000)

Bit	Attr	Reset Value	Description
31:10	RO	0x0	reserved
9	RO	0x0	dns 1'b0: DMA manager operates in the Secure state 1'b1: DMA manager operates in the Non-secure state
8:4	RO	0x00	wakeup_event 5'h0: event[0] 5'h1: event[1] 5'h2: event[2] ... 5'h1f: event[31]
3:0	RO	0x0	dma_status 4'h0: Stopped 4'h1: Executing 4'h2: Cache miss 4'h3: Updating PC 4'h4: Waiting for event 4'hf: Faulting Others: Reserved

#### **DMAC DPC**

Address: Operational Base + offset (0x0004)

Bit	Attr	Reset Value	Description
31:0	RO	0x00000000	pc_mgr Program counter for the DMA manager thread

#### **DMAC INTEN**

Address: Operational Base + offset (0x0020)

Bit	Attr	Reset Value	Description
31:0	RW	0x00000000	event_irq_select Bit [N] 1'b0: If the DMAC executes DMASEV for the event-interrupt resource N then the DMAC signals event N to all of the threads. Set bit [N] to 0 if your system design does not use irq[N] to signal an interrupt request. 1'b1: If the DMAC executes DMASEV for the event-interrupt resource N then the DMAC sets irq[N] HIGH. Set bit [N] to 1 if your system designer requires irq[N] to signal an interrupt request.

**DMAC\_EVENT\_RIS**

Address: Operational Base + offset (0x0024)

Bit	Attr	Reset Value	Description
31:0	RO	0x00000000	dmasev_active Bit [N] 1'b0: Event N is inactive or irq[N] is LOW 1'b1: Event N is active or irq[N] is HIGH

**DMAC\_INTMIS**

Address: Operational Base + offset (0x0028)

Bit	Attr	Reset Value	Description
31:0	RO	0x00000000	irq_status Bit [N] 1'b0: Interrupt N is inactive and therefore irq[N] is LOW 1'b1: Interrupt N is active and therefore irq[N] is HIGH

**DMAC\_INTCLR**

Address: Operational Base + offset (0x002c)

Bit	Attr	Reset Value	Description
31:0	WO	0x00000000	irq_clr Bit [N] 1'b0: The status of irq[N] does not change 1'b1: The DMAC sets irq[N] LOW if the DMAC_INTEN Register programs the DMAC to signal an interrupt. Otherwise, the status of irq[N] does not change.

**DMAC\_FSRD**

Address: Operational Base + offset (0x0030)

Bit	Attr	Reset Value	Description
31:1	RO	0x0	reserved
0	RO	0x0	fs_mgr 1'b0: The DMA manager thread is not in the Faulting state 1'b1: The DMA manager thread is in the Faulting state

**DMAC\_FSRC**

Address: Operational Base + offset (0x0034)

Bit	Attr	Reset Value	Description
31:8	RO	0x0	reserved
7:0	RO	0x00	fault_status Bit [N] 1'b0: No fault is present on DMA channel N 1'b1: DMA channel N is in the Faulting or Faulting completing state

**DMAC FTRD**

Address: Operational Base + offset (0x0038)

Bit	Attr	Reset Value	Description
31	RO	0x0	reserved
30	RO	0x0	dbg_instr Memory or from the debug interface. 1'b0: Instruction that generated an abort was read from system memory 1'b1: Instruction that generated an abort was read from the debug interface
29:17	RO	0x0	reserved
16	RO	0x0	instr_fetch_err Performs an instruction fetch. 1'b0: OKAY response 1'b1: EXOKAY, SLVERR, or DECERR response
15:6	RO	0x0	reserved
5	RO	0x0	mgr_evnt_err 1'b0: DMA manager has appropriate security to execute DMAWFE or DMASEV 1'b1: DMA manager thread in the Non-secure state attempted to execute either: a. DMAWFE to wait for a secure event b. DMASEV to create a secure event or secure interrupt
4	RO	0x0	dmago_err 1'b0: DMA manager has appropriate security to execute DMAGO 1'b1: DMA manager thread in the Non-secure state attempted to execute DMAGO to create a DMA channel operating in the Secure state
3:2	RO	0x0	reserved
1	RO	0x0	operand_invalid The configuration of the DMAC. 1'b0: Valid operand 1'b1: Invalid operand
0	RW	0x0	undef_instr 1'b0: Defined instruction 1'b1: Undefined instruction

**DMAC FTR0**

Address: Operational Base + offset (0x0040)

Bit	Attr	Reset Value	Description
31	RO	0x0	lockup_err 1'b0: DMA channel has adequate resources 1'b1: DMA channel has locked-up because of insufficient resources This fault is an imprecise abort.
30	RO	0x0	dbg_instr Memory or from the debug interface. 1'b0: Instruction that generated an abort was read from system memory 1'b1: Instruction that generated an abort was read from the debug interface This fault is an imprecise abort but the bit is only valid when a precise abort occurs.
29:19	RO	0x0	reserved



Bit	Attr	Reset Value	Description
18	RO	0x0	data_read_err Thread performs a data read. 1'b0: OKAY response 1'b1: EXOKAY, SLVERR, or DECERR response This fault is an imprecise abort.
17	RO	0x0	data_write_err Thread performs a data write. 1'b0: OKAY response 1'b1: EXOKAY, SLVERR, or DECERR response This fault is an imprecise abort.
16	RO	0x0	instr_fetch_err Thread performs an instruction fetch. 1'b0: OKAY response 1'b1: EXOKAY, SLVERR, or DECERR response This fault is a precise abort.
15:14	RO	0x0	reserved
13	RO	0x0	st_data_unavailable 1'b0: MFIFO contains all the data to enable the DMAST to complete 1'b1: Previous DMALDs have not put enough data in the MFIFO to enable the DMAST to complete This fault is a precise abort.
12	RO	0x0	mfifo_err DMALD 1'b0: MFIFO contains sufficient space 1'b1: MFIFO is too small to hold the data that DMALD requires DMAST 1'b0: MFIFO contains sufficient data 1'b1: MFIFO is too small to store the data to enable DMAST to complete This fault is an imprecise abort.
11:8	RO	0x0	reserved
7	RO	0x0	ch_rdwr_err To perform a secure read or secure write. 1'b0: A DMA channel thread in the Non-secure state is not violating the security permissions 1'b1: A DMA channel thread in the Non-secure state attempted to perform a secure read or secure write This fault is a precise abort.
6	RO	0x0	ch_periph_err DMASTP, or DMAFLUSHP with inappropriate security permissions. 1'b0: a DMA channel thread in the Non-secure state is not violating the security permissions 1'b1: a DMA channel thread in the Non-secure state attempted to execute either: a. DMAWFP to wait for a secure peripheral b. DMALDP or DMASTP to notify a secure peripheral c. DMAFLUSHP to flush a secure peripheral This fault is a precise abort.

Bit	Attr	Reset Value	Description
5	RO	0x0	ch_event_err 1'b0: A DMA channel thread in the Non-secure state is not violating the security permissions 1'b1: A DMA channel thread in the Non-secure state attempted to execute either: a. DMAWFE to wait for a secure event b. DMASEV to create a secure event or secure interrupt This fault is a precise abort.
4:2	RO	0x0	reserved
1	RO	0x0	operand_invalid Valid for the configuration of the DMAC. 1'b0: Valid operand 1'b1: Invalid operand This fault is a precise abort.
0	RO	0x0	undef_instr 1'b0: Defined instruction 1'b1: Undefined instruction This fault is a precise abort.

**DMAC FTR1**

Address: Operational Base + offset (0x0044)

Bit	Attr	Reset Value	Description
31	RO	0x0	lockup_err 1'b0: DMA channel has adequate resources 1'b1: DMA channel has locked-up because of insufficient resources This fault is an imprecise abort.
30	RO	0x0	dbg_instr Memory or from the debug interface. 1'b0: Instruction that generated an abort was read from system memory 1'b1: Instruction that generated an abort was read from the debug interface This fault is an imprecise abort but the bit is only valid when a precise abort occurs.
29:19	RO	0x0	reserved
18	RO	0x0	data_read_err Thread performs a data read. 1'b0: OKAY response 1'b1: EXOKAY, SLVERR, or DECERR response This fault is an imprecise abort.
17	RO	0x0	data_write_err Thread performs a data write. 1'b0: OKAY response 1'b1: EXOKAY, SLVERR, or DECERR response This fault is an imprecise abort.
16	RO	0x0	instr_fetch_err Thread performs an instruction fetch. 1'b0: OKAY response 1'b1: EXOKAY, SLVERR, or DECERR response This fault is a precise abort.
15:14	RO	0x0	reserved

Bit	Attr	Reset Value	Description
13	RO	0x0	st_data_unavailable 1'b0: MFIFO contains all the data to enable the DMAST to complete 1'b1: Previous DMALDs have not put enough data in the MFIFO to enable the DMAST to complete This fault is a precise abort.
12	RO	0x0	mfifo_err DMALD 1'b0: MFIFO contains sufficient space 1'b1: MFIFO is too small to hold the data that DMALD requires DMAST 1'b0: MFIFO contains sufficient data 1'b1: MFIFO is too small to store the data to enable DMAST to complete This fault is an imprecise abort.
11:8	RO	0x0	reserved
7	RO	0x0	ch_rdw_err To perform a secure read or secure write. 1'b0: A DMA channel thread in the Non-secure state is not violating the security permissions 1'b1: A DMA channel thread in the Non-secure state attempted to perform a secure read or secure write This fault is a precise abort.
6	RO	0x0	ch_periph_err DMASTP, or DMAFLUSHP with inappropriate security permissions. 1'b0: A DMA channel thread in the Non-secure state is not violating the security permissions 1'b1: A DMA channel thread in the Non-secure state attempted to execute either: a. DMAWFP to wait for a secure peripheral b. DMALDP or DMASTP to notify a secure peripheral c. DMAFLUSHP to flush a secure peripheral This fault is a precise abort.
5	RO	0x0	ch_event_err 1'b0: A DMA channel thread in the Non-secure state is not violating the security permissions 1'b1: A DMA channel thread in the Non-secure state attempted to execute either: a. DMAWFE to wait for a secure event b. DMASEV to create a secure event or secure interrupt This fault is a precise abort.
4:2	RO	0x0	reserved
1	RO	0x0	operand_invalid Valid for the configuration of the DMAC. 1'b0: Valid operand 1'b1: Invalid operand This fault is a precise abort.
0	RO	0x0	undef_instr 1'b0: Defined instruction 1'b1: Undefined instruction This fault is a precise abort.

**DMAC\_FTR2**

Address: Operational Base + offset (0x0048)

Bit	Attr	Reset Value	Description
31	RO	0x0	lockup_err 1'b0: DMA channel has adequate resources 1'b1: DMA channel has locked-up because of insufficient resources This fault is an imprecise abort.
30	RO	0x0	dbg_instr Memory or from the debug interface. 1'b0: Instruction that generated an abort was read from system memory 1'b1: Instruction that generated an abort was read from the debug interface This fault is an imprecise abort but the bit is only valid when a precise abort occurs.
29:19	RO	0x0	reserved
18	RO	0x0	data_read_err Thread performs a data read. 1'b0: OKAY response 1'b1: EXOKAY, SLVERR, or DECERR response This fault is an imprecise abort.
17	RO	0x0	data_write_err Thread performs a data write. 1'b0: OKAY response 1'b1: EXOKAY, SLVERR, or DECERR response This fault is an imprecise abort.
16	RO	0x0	instr_fetch_err Thread performs an instruction fetch. 1'b0: OKAY response 1'b1: EXOKAY, SLVERR, or DECERR response This fault is a precise abort.
15:14	RO	0x0	reserved
13	RO	0x0	st_data_unavailable 1'b0: MFIFO contains all the data to enable the DMAST to complete 1'b1: Previous DMALDs have not put enough data in the MFIFO to enable the DMAST to complete This fault is a precise abort.
12	RO	0x0	mfifo_err DMALD 1'b0: MFIFO contains sufficient space 1'b1: MFIFO is too small to hold the data that DMALD requires DMAST 1'b0: MFIFO contains sufficient data 1'b1: MFIFO is too small to store the data to enable DMAST to complete This fault is an imprecise abort.
11:8	RO	0x0	reserved
7	RO	0x0	ch_rdw_err To perform a secure read or secure write. 1'b0: A DMA channel thread in the Non-secure state is not violating the security permissions 1'b1: A DMA channel thread in the Non-secure state attempted to perform a secure read or secure write This fault is a precise abort.

Bit	Attr	Reset Value	Description
6	RO	0x0	ch_periph_err DMASTP, or DMAFLUSHP with inappropriate security permissions. 1'b0: A DMA channel thread in the Non-secure state is not violating the security permissions 1'b1: A DMA channel thread in the Non-secure state attempted to execute either: a. DMAWFP to wait for a secure peripheral b. DMALDP or DMASTP to notify a secure peripheral c. DMAFLUSHP to flush a secure peripheral This fault is a precise abort.
5	RO	0x0	ch_event_err 1'b0: A DMA channel thread in the Non-secure state is not violating the security permissions 1'b1: A DMA channel thread in the Non-secure state attempted to execute either: a. DMAWFE to wait for a secure event b. DMASEV to create a secure event or secure interrupt This fault is a precise abort.
4:2	RO	0x0	reserved
1	RO	0x0	operand_invalid Valid for the configuration of the DMAC. 1'b0: Valid operand 1'b1: Invalid operand This fault is a precise abort.
0	RO	0x0	undef_instr 1'b0: Defined instruction 1'b1: Undefined instruction This fault is a precise abort.

**DMAC\_FTR3**

Address: Operational Base + offset (0x004c)

Bit	Attr	Reset Value	Description
31	RO	0x0	lockup_err 1'b0: DMA channel has adequate resources 1'b1: DMA channel has locked-up because of insufficient resources This fault is an imprecise abort.
30	RO	0x0	dbg_instr Memory or from the debug interface. 1'b0: Instruction that generated an abort was read from system memory 1'b1: Instruction that generated an abort was read from the debug interface This fault is an imprecise abort but the bit is only valid when a precise abort occurs.
29:19	RO	0x0	reserved
18	RO	0x0	data_read_err Thread performs a data read. 1'b0: OKAY response 1'b1: EXOKAY, SLVERR, or DECERR response This fault is an imprecise abort.

Bit	Attr	Reset Value	Description
17	RO	0x0	data_write_err Thread performs a data write. 1'b0: OKAY response 1'b1: EXOKAY, SLVERR, or DECERR response This fault is an imprecise abort.
16	RO	0x0	instr_fetch_err Thread performs an instruction fetch. 1'b0: OKAY response 1'b1: EXOKAY, SLVERR, or DECERR response This fault is a precise abort.
15:14	RO	0x0	reserved
13	RO	0x0	st_data_unavailable 1'b0: MFIFO contains all the data to enable the DMAST to complete 1'b1: Previous DMALDs have not put enough data in the MFIFO to enable the DMAST to complete This fault is a precise abort.
12	RO	0x0	mfifo_err DMALD 1'b0: MFIFO contains sufficient space 1'b1: MFIFO is too small to hold the data that DMALD requires DMAST 1'b0: MFIFO contains sufficient data 1'b1: MFIFO is too small to store the data to enable DMAST to complete This fault is an imprecise abort.
11:8	RO	0x0	reserved
7	RO	0x0	ch_rdwr_err To perform a secure read or secure write. 1'b0: A DMA channel thread in the Non-secure state is not violating the security permissions 1'b1: A DMA channel thread in the Non-secure state attempted to perform a secure read or secure write This fault is a precise abort.
6	RO	0x0	ch_periph_err DMASTP, or DMAFLUSHP with inappropriate security permissions. 1'b0: A DMA channel thread in the Non-secure state is not violating the security permissions 1'b1: A DMA channel thread in the Non-secure state attempted to execute either: a. DMAWFP to wait for a secure peripheral b. DMALDP or DMASTP to notify a secure peripheral c. DMAFLUSHP to flush a secure peripheral This fault is a precise abort.
5	RO	0x0	ch_event_err 1'b0: A DMA channel thread in the Non-secure state is not violating the security permissions 1'b1: A DMA channel thread in the Non-secure state attempted to execute either: a. DMAWFE to wait for a secure event b. DMASEV to create a secure event or secure interrupt This fault is a precise abort.
4:2	RO	0x0	reserved

Bit	Attr	Reset Value	Description
1	RO	0x0	operand_invalid Valid for the configuration of the DMAC. 1'b0: Valid operand 1'b1: Invalid operand This fault is a precise abort.
0	RO	0x0	undef_instr 1'b0: Defined instruction 1'b1: Undefined instruction This fault is a precise abort.

**DMAC\_FTR4**

Address: Operational Base + offset (0x0050)

Bit	Attr	Reset Value	Description
31	RO	0x0	lockup_err 1'b0: DMA channel has adequate resources 1'b1: DMA channel has locked-up because of insufficient resources This fault is an imprecise abort.
30	RO	0x0	dbg_instr Memory or from the debug interface. 1'b0: Instruction that generated an abort was read from system memory 1'b1: Instruction that generated an abort was read from the debug interface This fault is an imprecise abort but the bit is only valid when a precise abort occurs.
29:19	RO	0x0	reserved
18	RO	0x0	data_read_err Thread performs a data read. 1'b0: OKAY response 1'b1: EXOKAY, SLVERR, or DECERR response This fault is an imprecise abort.
17	RO	0x0	data_write_err Thread performs a data write. 1'b0: OKAY response 1'b1: EXOKAY, SLVERR, or DECERR response This fault is an imprecise abort.
16	RO	0x0	instr_fetch_err Thread performs an instruction fetch. 1'b0: OKAY response 1'b1: EXOKAY, SLVERR, or DECERR response This fault is a precise abort.
15:14	RO	0x0	reserved
13	RO	0x0	st_data_unavailable 1'b0: MFIFO contains all the data to enable the DMAST to complete 1'b1: Previous DMALDs have not put enough data in the MFIFO to enable the DMAST to complete This fault is a precise abort.

Bit	Attr	Reset Value	Description
12	RO	0x0	mfifo_err DMALD 1'b0: MFIFO contains sufficient space 1'b1: MFIFO is too small to hold the data that DMALD requires DMAST 1'b0: MFIFO contains sufficient data 1'b1: MFIFO is too small to store the data to enable DMAST to complete This fault is an imprecise abort.
11:8	RO	0x0	reserved
7	RO	0x0	ch_rdwr_err To perform a secure read or secure write. 1'b0: A DMA channel thread in the Non-secure state is not violating the security permissions 1'b1: A DMA channel thread in the Non-secure state attempted to perform a secure read or secure write This fault is a precise abort.
6	RO	0x0	ch_periph_err DMASTP, or DMAFLUSHP with inappropriate security permissions. 1'b0: A DMA channel thread in the Non-secure state is not violating the security permissions 1'b1: A DMA channel thread in the Non-secure state attempted to execute either: a. DMAWFP to wait for a secure peripheral b. DMALDP or DMASTP to notify a secure peripheral c. DMAFLUSHP to flush a secure peripheral This fault is a precise abort.
5	RO	0x0	ch_event_err 1'b0: A DMA channel thread in the Non-secure state is not violating the security permissions 1'b1: A DMA channel thread in the Non-secure state attempted to execute either: a. DMAWFE to wait for a secure event b. DMASEV to create a secure event or secure interrupt This fault is a precise abort.
4:2	RO	0x0	reserved
1	RO	0x0	operand_invalid Valid for the configuration of the DMAC. 1'b0: Valid operand 1'b1: Invalid operand This fault is a precise abort.
0	RO	0x0	undef_instr 1'b0: Defined instruction 1'b1: Undefined instruction This fault is a precise abort.

**DMAC FTR5**

Address: Operational Base + offset (0x0054)

Bit	Attr	Reset Value	Description
31	RO	0x0	lockup_err 1'b0: DMA channel has adequate resources 1'b1: DMA channel has locked-up because of insufficient resources This fault is an imprecise abort.



Bit	Attr	Reset Value	Description
30	RO	0x0	dbg_instr Memory or from the debug interface. 1'b0: Instruction that generated an abort was read from system memory 1'b1: Instruction that generated an abort was read from the debug interface This fault is an imprecise abort but the bit is only valid when a precise abort occurs.
29:19	RO	0x0	reserved
18	RO	0x0	data_read_err Thread performs a data read. 1'b0: OKAY response 1'b1: EXOKAY, SLVERR, or DECERR response This fault is an imprecise abort.
17	RO	0x0	data_write_err Thread performs a data write. 1'b0: OKAY response 1'b1: EXOKAY, SLVERR, or DECERR response This fault is an imprecise abort.
16	RO	0x0	instr_fetch_err Thread performs an instruction fetch. 1'b0: OKAY response 1'b1: EXOKAY, SLVERR, or DECERR response This fault is a precise abort.
15:14	RO	0x0	reserved
13	RO	0x0	st_data_unavailable 1'b0: MFIFO contains all the data to enable the DMAST to complete 1'b1: Previous DMALDs have not put enough data in the MFIFO to enable the DMAST to complete This fault is a precise abort.
12	RO	0x0	mfifo_err DMALD 1'b0: MFIFO contains sufficient space 1'b1: MFIFO is too small to hold the data that DMALD requires DMAST 1'b0: MFIFO contains sufficient data 1'b1: MFIFO is too small to store the data to enable DMAST to complete This fault is an imprecise abort.
11:8	RO	0x0	reserved
7	RO	0x0	ch_rdw_err To perform a secure read or secure write. 1'b0: A DMA channel thread in the Non-secure state is not violating the security permissions 1'b1: A DMA channel thread in the Non-secure state attempted to perform a secure read or secure write This fault is a precise abort.

Bit	Attr	Reset Value	Description
6	RO	0x0	ch_periph_err DMASTP, or DMAFLUSHP with inappropriate security permissions. 1'b0: A DMA channel thread in the Non-secure state is not violating the security permissions 1'b1: A DMA channel thread in the Non-secure state attempted to execute either: a. DMAWFP to wait for a secure peripheral b. DMALDP or DMASTP to notify a secure peripheral c. DMAFLUSHP to flush a secure peripheral This fault is a precise abort.
5	RO	0x0	ch_event_err 1'b0: A DMA channel thread in the Non-secure state is not violating the security permissions 1'b1: A DMA channel thread in the Non-secure state attempted to execute either: a. DMAWFE to wait for a secure event b. DMASEV to create a secure event or secure interrupt This fault is a precise abort.
4:2	RO	0x0	reserved
1	RO	0x0	operand_invalid Valid for the configuration of the DMAC. 1'b0: Valid operand 1'b1: Invalid operand This fault is a precise abort.
0	RO	0x0	undef_instr 1'b0: Defined instruction 1'b1: Undefined instruction This fault is a precise abort.

**DMAC\_FTR6**

Address: Operational Base + offset (0x0058)

Bit	Attr	Reset Value	Description
31	RO	0x0	lockup_err 1'b0: DMA channel has adequate resources 1'b1: DMA channel has locked-up because of insufficient resources This fault is an imprecise abort.
30	RO	0x0	dbg_instr Memory or from the debug interface. 1'b0: Instruction that generated an abort was read from system memory 1'b1: Instruction that generated an abort was read from the debug interface This fault is an imprecise abort but the bit is only valid when a precise abort occurs.
29:19	RO	0x0	reserved
18	RO	0x0	data_read_err Thread performs a data read. 1'b0: OKAY response 1'b1: EXOKAY, SLVERR, or DECERR response This fault is an imprecise abort.

Bit	Attr	Reset Value	Description
17	RO	0x0	data_write_err Thread performs a data write. 1'b0: OKAY response 1'b1: EXOKAY, SLVERR, or DECERR response This fault is an imprecise abort.
16	RO	0x0	instr_fetch_err Thread performs an instruction fetch. 1'b0: OKAY response 1'b1: EXOKAY, SLVERR, or DECERR response This fault is a precise abort.
15:14	RO	0x0	reserved
13	RO	0x0	st_data_unavailable 1'b0: MFIFO contains all the data to enable the DMAST to complete 1'b1: Previous DMALDs have not put enough data in the MFIFO to enable the DMAST to complete This fault is a precise abort.
12	RO	0x0	mfifo_err DMALD 1'b0: MFIFO contains sufficient space 1'b1: MFIFO is too small to hold the data that DMALD requires DMAST 1'b0: MFIFO contains sufficient data 1'b1: MFIFO is too small to store the data to enable DMAST to complete This fault is an imprecise abort.
11:8	RO	0x0	reserved
7	RO	0x0	ch_rdwr_err To perform a secure read or secure write. 1'b0: A DMA channel thread in the Non-secure state is not violating the security permissions 1'b1: A DMA channel thread in the Non-secure state attempted to perform a secure read or secure write This fault is a precise abort.
6	RO	0x0	ch_periph_err DMASTP, or DMAFLUSHP with inappropriate security permissions. 1'b0: A DMA channel thread in the Non-secure state is not violating the security permissions 1'b1: A DMA channel thread in the Non-secure state attempted to execute either: a. DMAWFP to wait for a secure peripheral b. DMALDP or DMASTP to notify a secure peripheral c. DMAFLUSHP to flush a secure peripheral This fault is a precise abort.
5	RO	0x0	ch_event_err 1'b0: A DMA channel thread in the Non-secure state is not violating the security permissions 1'b1: A DMA channel thread in the Non-secure state attempted to execute either: a. DMAWFE to wait for a secure event b. DMASEV to create a secure event or secure interrupt This fault is a precise abort.
4:2	RO	0x0	reserved

Bit	Attr	Reset Value	Description
1	RO	0x0	operand_invalid Valid for the configuration of the DMAC. 1'b0: Valid operand 1'b1: Invalid operand This fault is a precise abort.
0	RO	0x0	undef_instr 1'b0: Defined instruction 1'b1: Undefined instruction This fault is a precise abort.

**DMAC\_FTR7**

Address: Operational Base + offset (0x005c)

Bit	Attr	Reset Value	Description
31	RO	0x0	lockup_err 1'b0: DMA channel has adequate resources 1'b1: DMA channel has locked-up because of insufficient resources This fault is an imprecise abort.
30	RO	0x0	dbg_instr Memory or from the debug interface. 1'b0: Instruction that generated an abort was read from system memory 1'b1: Instruction that generated an abort was read from the debug interface This fault is an imprecise abort but the bit is only valid when a precise abort occurs.
29:19	RO	0x0	reserved
18	RO	0x0	data_read_err Thread performs a data read. 1'b0: OKAY response 1'b1: EXOKAY, SLVERR, or DECERR response This fault is an imprecise abort.
17	RO	0x0	data_write_err Thread performs a data write. 1'b0: OKAY response 1'b1: EXOKAY, SLVERR, or DECERR response This fault is an imprecise abort.
16	RO	0x0	instr_fetch_err Thread performs an instruction fetch. 1'b0: OKAY response 1'b1: EXOKAY, SLVERR, or DECERR response This fault is a precise abort.
15:14	RO	0x0	reserved
13	RO	0x0	st_data_unavailable 1'b0: MFIFO contains all the data to enable the DMAST to complete 1'b1: Previous DMALDs have not put enough data in the MFIFO to enable the DMAST to complete This fault is a precise abort.

Bit	Attr	Reset Value	Description
12	RO	0x0	mfifo_err DMALD 1'b0: MFIFO contains sufficient space 1'b1: MFIFO is too small to hold the data that DMALD requires DMAST 1'b0: MFIFO contains sufficient data 1'b1: MFIFO is too small to store the data to enable DMAST to complete This fault is an imprecise abort.
11:8	RO	0x0	reserved
7	RO	0x0	ch_rdwrr_err To perform a secure read or secure write. 1'b0: A DMA channel thread in the Non-secure state is not violating the security permissions 1'b1: A DMA channel thread in the Non-secure state attempted to perform a secure read or secure write This fault is a precise abort.
6	RO	0x0	ch_periph_err DMASTP, or DMAFLUSHP with inappropriate security permissions. 1'b0: A DMA channel thread in the Non-secure state is not violating the security permissions 1'b1: A DMA channel thread in the Non-secure state attempted to execute either: a. DMAWFP to wait for a secure peripheral b. DMALDP or DMASTP to notify a secure peripheral c. DMAFLUSHP to flush a secure peripheral This fault is a precise abort.
5	RO	0x0	ch_event_err 1'b0: A DMA channel thread in the Non-secure state is not violating the security permissions 1'b1: A DMA channel thread in the Non-secure state attempted to execute either: a. DMAWFE to wait for a secure event b. DMASEV to create a secure event or secure interrupt This fault is a precise abort.
4:2	RO	0x0	reserved
1	RO	0x0	operand_invalid Valid for the configuration of the DMAC. 1'b0: Valid operand 1'b1: Invalid operand This fault is a precise abort.
0	RO	0x0	undef_instr 1'b0: Defined instruction 1'b1: Undefined instruction This fault is a precise abort.

**DMAC CSRO**

Address: Operational Base + offset (0x0100)

Bit	Attr	Reset Value	Description
31:22	RO	0x0	reserved
21	RO	0x0	cns 1'b0: DMA channel operates in the Secure state 1'b1: DMA channel operates in the Non-secure state
20:16	RO	0x0	reserved

Bit	Attr	Reset Value	Description
15	RO	0x0	dmawfp_periph 1'b0: DMAWFP executed with the periph operand not set 1'b1: DMAWFP executed with the periph operand set
14	RO	0x0	dmawfp_b_ns 1'b0: DMAWFP executed with the single operand set 1'b1: DMAWFP executed with the burst operand set
13:9	RO	0x0	reserved
8:4	RO	0x00	wakeup_number Indicate the event or peripheral number that the channel is waiting for. 5'h0: DMA channel is waiting for event, or peripheral, 0 5'h1: DMA channel is waiting for event, or peripheral, 1 5'h2: DMA channel is waiting for event, or peripheral, 2 ... 5'h1f: DMA channel is waiting for event, or peripheral, 31
3:0	RO	0x0	channel_status Channel 0 status. 4'h0: Stopped 4'h1: Executing 4'h2: Cache miss 4'h3: Updating PC 4'h4: Waiting for event 4'h5: At barrier 4'h7: Waiting for peripheral 4'h8: Killing 4'h9: Completing 4'he: Faulting completing 4'hf: Faulting Others: Reserved

**DMAC CPC0**

Address: Operational Base + offset (0x0104)

Bit	Attr	Reset Value	Description
31:0	RO	0x00000000	pc_chnl Program counter for the DMA channel 0 thread

**DMAC CSR1**

Address: Operational Base + offset (0x0108)

Bit	Attr	Reset Value	Description
31:22	RO	0x0	reserved
21	RO	0x0	cns 1'b0: DMA channel operates in the Secure state 1'b1: DMA channel operates in the Non-secure state
20:16	RO	0x0	reserved
15	RO	0x0	dmawfp_periph 1'b0: DMAWFP executed with the periph operand not set 1'b1: DMAWFP executed with the periph operand set
14	RO	0x0	dmawfp_b_ns 1'b0: DMAWFP executed with the single operand set 1'b1: DMAWFP executed with the burst operand set
13:9	RO	0x0	reserved

Bit	Attr	Reset Value	Description
8:4	RO	0x00	wakeup_number Indicate the event or peripheral number that the channel is waiting for. 5'h0: DMA channel is waiting for event, or peripheral, 0 5'h1: DMA channel is waiting for event, or peripheral, 1 5'h2: DMA channel is waiting for event, or peripheral, 2 ... 5'h1f: DMA channel is waiting for event, or peripheral, 31
3:0	RO	0x0	channel_status Channel 1 status. 4'h0: Stopped 4'h1: Executing 4'h2: Cache miss 4'h3: Updating PC 4'h4: Waiting for event 4'h5: At barrier 4'h7: Waiting for peripheral 4'h8: Killing 4'h9: Completing 4'he: Faulting completing 4'hf: Faulting Others: Reserved

**DMAC CPC1**

Address: Operational Base + offset (0x010c)

Bit	Attr	Reset Value	Description
31:0	RO	0x00000000	pc_chnl Program counter for the DMA channel 1 thread

**DMAC CSR2**

Address: Operational Base + offset (0x0110)

Bit	Attr	Reset Value	Description
31:22	RO	0x0	reserved
21	RO	0x0	cns 1'b0: DMA channel operates in the Secure state 1'b1: DMA channel operates in the Non-secure state
20:16	RO	0x0	reserved
15	RO	0x0	dmawfp_periph 1'b0: DMAWFP executed with the periph operand not set 1'b1: DMAWFP executed with the periph operand set
14	RO	0x0	dmawfp_b_ns 1'b0: DMAWFP executed with the single operand set 1'b1: DMAWFP executed with the burst operand set
13:9	RO	0x0	reserved
8:4	RO	0x00	wakeup_number Indicate the event or peripheral number that the channel is waiting for. 5'h0: DMA channel is waiting for event, or peripheral, 0 5'h1: DMA channel is waiting for event, or peripheral, 1 5'h2: DMA channel is waiting for event, or peripheral, 2 ... 5'h1f: DMA channel is waiting for event, or peripheral, 31

Bit	Attr	Reset Value	Description
3:0	RO	0x0	channel_status Channel 2 status. 4'h0: Stopped 4'h1: Executing 4'h2: Cache miss 4'h3: Updating PC 4'h4: Waiting for event 4'h5: At barrier 4'h7: Waiting for peripheral 4'h8: Killing 4'h9: Completing 4'he: Faulting completing 4'hf: Faulting Others: Reserved

**DMAC CPC2**

Address: Operational Base + offset (0x0114)

Bit	Attr	Reset Value	Description
31:0	RO	0x00000000	pc_chnl Program counter for the DMA channel 2 thread

**DMAC CSR3**

Address: Operational Base + offset (0x0118)

Bit	Attr	Reset Value	Description
31:22	RO	0x0	reserved
21	RO	0x0	cns 1'b0: DMA channel operates in the Secure state 1'b1: DMA channel operates in the Non-secure state
20:16	RO	0x0	reserved
15	RO	0x0	dmawfp_periph 1'b0: DMAWFP executed with the periph operand not set 1'b1: DMAWFP executed with the periph operand set
14	RO	0x0	dmawfp_b_ns 1'b0: DMAWFP executed with the single operand set 1'b1: DMAWFP executed with the burst operand set
13:9	RO	0x0	reserved
8:4	RO	0x00	wakeup_number Indicate the event or peripheral number that the channel is waiting for. 5'h0: DMA channel is waiting for event, or peripheral, 0 5'h1: DMA channel is waiting for event, or peripheral, 1 5'h2: DMA channel is waiting for event, or peripheral, 2 ... 5'h1f: DMA channel is waiting for event, or peripheral, 31



Bit	Attr	Reset Value	Description
3:0	RO	0x0	channel_status Channel 3 status. 4'h0: Stopped 4'h1: Executing 4'h2: Cache miss 4'h3: Updating PC 4'h4: Waiting for event 4'h5: At barrier 4'h7: Waiting for peripheral 4'h8: Killing 4'h9: Completing 4'he: Faulting completing 4'hf: Faulting Others: Reserved

**DMAC CPC3**

Address: Operational Base + offset (0x011c)

Bit	Attr	Reset Value	Description
31:0	RO	0x00000000	pc_chnl Program counter for the DMA channel 3 thread

**DMAC CSR4**

Address: Operational Base + offset (0x0120)

Bit	Attr	Reset Value	Description
31:22	RO	0x0	reserved
21	RO	0x0	cns 1'b0: DMA channel operates in the Secure state 1'b1: DMA channel operates in the Non-secure state
20:16	RO	0x0	reserved
15	RO	0x0	dmawfp_periph 1'b0: DMAWFP executed with the periph operand not set 1'b1: DMAWFP executed with the periph operand set
14	RO	0x0	dmawfp_b_ns 1'b0: DMAWFP executed with the single operand set 1'b1: DMAWFP executed with the burst operand set
13:9	RO	0x0	reserved
8:4	RO	0x00	wakeup_number Indicate the event or peripheral number that the channel is waiting for. 5'h0: DMA channel is waiting for event, or peripheral, 0 5'h1: DMA channel is waiting for event, or peripheral, 1 5'h2: DMA channel is waiting for event, or peripheral, 2 ... 5'h1f: DMA channel is waiting for event, or peripheral, 31

Bit	Attr	Reset Value	Description
3:0	RO	0x0	channel_status Channel 4 status. 4'h0: Stopped 4'h1: Executing 4'h2: Cache miss 4'h3: Updating PC 4'h4: Waiting for event 4'h5: At barrier 4'h7: Waiting for peripheral 4'h8: Killing 4'h9: Completing 4'he: Faulting completing 4'hf: Faulting Others: Reserved

**DMAC CPC4**

Address: Operational Base + offset (0x0124)

Bit	Attr	Reset Value	Description
31:0	RO	0x00000000	pc_chnl Program counter for the DMA channel 4 thread

**DMAC CSR5**

Address: Operational Base + offset (0x0128)

Bit	Attr	Reset Value	Description
31:22	RO	0x0	reserved
21	RO	0x0	cns 1'b0: DMA channel operates in the Secure state 1'b1: DMA channel operates in the Non-secure state
20:16	RO	0x0	reserved
15	RO	0x0	dmawfp_periph 1'b0: DMAWFP executed with the periph operand not set 1'b1: DMAWFP executed with the periph operand set
14	RO	0x0	dmawfp_b_ns 1'b0: DMAWFP executed with the single operand set 1'b1: DMAWFP executed with the burst operand set
13:9	RO	0x0	reserved
8:4	RO	0x00	wakeup_number Indicate the event or peripheral number that the channel is waiting for. 5'h0: DMA channel is waiting for event, or peripheral, 0 5'h1: DMA channel is waiting for event, or peripheral, 1 5'h2: DMA channel is waiting for event, or peripheral, 2 ... 5'h1f: DMA channel is waiting for event, or peripheral, 31

Bit	Attr	Reset Value	Description
3:0	RO	0x0	channel_status Channel 5 status. 4'h0: Stopped 4'h1: Executing 4'h2: Cache miss 4'h3: Updating PC 4'h4: Waiting for event 4'h5: At barrier 4'h7: Waiting for peripheral 4'h8: Killing 4'h9: Completing 4'he: Faulting completing 4'hf: Faulting Others: Reserved

**DMAC CPC5**

Address: Operational Base + offset (0x012c)

Bit	Attr	Reset Value	Description
31:0	RO	0x00000000	pc_chnl Program counter for the DMA channel 5 thread

**DMAC CSR6**

Address: Operational Base + offset (0x0130)

Bit	Attr	Reset Value	Description
31:22	RO	0x0	reserved
21	RO	0x0	cns 1'b0: DMA channel operates in the Secure state 1'b1: DMA channel operates in the Non-secure state
20:16	RO	0x0	reserved
15	RO	0x0	dmawfp_periph 1'b0: DMAWFP executed with the periph operand not set 1'b1: DMAWFP executed with the periph operand set
14	RO	0x0	dmawfp_b_ns 1'b0: DMAWFP executed with the single operand set 1'b1: DMAWFP executed with the burst operand set
13:9	RO	0x0	reserved
8:4	RO	0x00	wakeup_number Indicate the event or peripheral number that the channel is waiting for. 5'h0: DMA channel is waiting for event, or peripheral, 0 5'h1: DMA channel is waiting for event, or peripheral, 1 5'h2: DMA channel is waiting for event, or peripheral, 2 ... 5'h1f: DMA channel is waiting for event, or peripheral, 31

Bit	Attr	Reset Value	Description
3:0	RO	0x0	channel_status Channel 6 status. 4'h0: Stopped 4'h1: Executing 4'h2: Cache miss 4'h3: Updating PC 4'h4: Waiting for event 4'h5: At barrier 4'h7: Waiting for peripheral 4'h8: Killing 4'h9: Completing 4'he: Faulting completing 4'hf: Faulting Others: Reserved

**DMAC CPC6**

Address: Operational Base + offset (0x0134)

Bit	Attr	Reset Value	Description
31:0	RO	0x00000000	pc_chnl Program counter for the DMA channel 6 thread

**DMAC CSR7**

Address: Operational Base + offset (0x0138)

Bit	Attr	Reset Value	Description
31:22	RO	0x0	reserved
21	RO	0x0	cns 1'b0: DMA channel operates in the Secure state 1'b1: DMA channel operates in the Non-secure state
20:16	RO	0x0	reserved
15	RO	0x0	dmawfp_periph 1'b0: DMAWFP executed with the periph operand not set 1'b1: DMAWFP executed with the periph operand set
14	RO	0x0	dmawfp_b_ns 1'b0: DMAWFP executed with the single operand set 1'b1: DMAWFP executed with the burst operand set
13:9	RO	0x0	reserved
8:4	RO	0x00	wakeup_number Indicate the event or peripheral number that the channel is waiting for. 5'h0: DMA channel is waiting for event, or peripheral, 0 5'h1: DMA channel is waiting for event, or peripheral, 1 5'h2: DMA channel is waiting for event, or peripheral, 2 ... 5'h1f: DMA channel is waiting for event, or peripheral, 31

Bit	Attr	Reset Value	Description
3:0	RO	0x0	channel_status Channel 7 status. 4'h0: Stopped 4'h1: Executing 4'h2: Cache miss 4'h3: Updating PC 4'h4: Waiting for event 4'h5: At barrier 4'h7: Waiting for peripheral 4'h8: Killing 4'h9: Completing 4'he: Faulting completing 4'hf: Faulting Others: Reserved

**DMAC CPC7**

Address: Operational Base + offset (0x013c)

Bit	Attr	Reset Value	Description
31:0	RO	0x00000000	pc_chnl Program counter for the DMA channel 7 thread

**DMAC SAR0**

Address: Operational Base + offset (0x0400)

Bit	Attr	Reset Value	Description
31:0	RO	0x00000000	src_addr Address of the source data for DMA channel 0

**DMAC DAR0**

Address: Operational Base + offset (0x0404)

Bit	Attr	Reset Value	Description
31:0	RO	0x00000000	dst_addr Address of the Destination data for DMA channel 0

**DMAC CCR0**

Address: Operational Base + offset (0x0408)

Bit	Attr	Reset Value	Description
31:28	RO	0x0	reserved
27:25	RO	0x0	dst_cache_ctrl Bit [27] 1'b0: AWCACHE[3] is LOW 1'b1: AWCACHE[3] is HIGH Bit [26] 1'b0: AWCACHE[1] is LOW 1'b1: AWCACHE[1] is HIGH Bit [25] 1'b0: AWCACHE[0] is LOW 1'b1: AWCACHE[0] is HIGH

Bit	Attr	Reset Value	Description
24:22	RO	0x0	dst_prot_ctrl Bit [24] 1'b0: AWPROT[2] is LOW 1'b1: AWPROT[2] is HIGH Bit [23] 1'b0: AWPROT[1] is LOW 1'b1: AWPROT[1] is HIGH Bit [22] 1'b0: AWPROT[0] is LOW 1'b1: AWPROT[0] is HIGH
21:18	RO	0x0	dst_burst_len the destination data: 4'h0: 1 data transfer 4'h1: 2 data transfers 4'h2: 3 data transfers ... 4'hf: 16 data transfers The total number of bytes that the DMAC writes out of the MFIFO when it executes a DMAST instruction is the product of dst_burst_len and dst_burst_size.
17:15	RO	0x0	dst_burst_size 3'h0: Writes 1 byte per beat 3'h1: Writes 2 bytes per beat 3'h2: Writes 4 bytes per beat 3'h3: Writes 8 bytes per beat 3'h4: Writes 16 bytes per beat Others: Reserved The total number of bytes that the DMAC writes out of the MFIFO when it executes a DMAST instruction is the product of dst_burst_len and dst_burst_size.
14	RO	0x0	dst_inc 1'b0: Fixed-address burst. The DMAC signals AWBURST[0] LOW. 1'b1: Incrementing-address burst. The DMAC signals AWBURST[0] HIGH.
13:11	RO	0x0	src_cache_ctrl Bit [13] 1'b0: ARCACHE[2] is LOW 1'b1: ARCACHE[2] is HIGH Bit [12] 1'b0: ARCACHE[1] is LOW 1'b1: ARCACHE[1] is HIGH Bit [11] 1'b0: ARCACHE[0] is LOW 1'b1: ARCACHE[0] is HIGH
10:8	RO	0x0	src_prot_ctrl Bit [10] 1'b0: ARPROT[2] is LOW 1'b1: ARPROT[2] is HIGH Bit [9] 1'b0: ARPROT[1] is LOW 1'b1: ARPROT[1] is HIGH Bit [8] 1'b0: ARPROT[0] is LOW 1'b1: ARPROT[0] is HIGH

Bit	Attr	Reset Value	Description
7:4	RO	0x0	src_burst_len 4'h0: 1 data transfer 4'h1: 2 data transfers 4'h2: 3 data transfers ... 4'hf: 16 data transfers The total number of bytes that the DMAC reads into the MFIFO when it executes a DMALD instruction is the product of src_burst_len and src_burst_size.
3:1	RO	0x0	src_burst_size 3'h0: Reads 1 byte per beat 3'h1: Reads 2 bytes per beat 3'h2: Reads 4 bytes per beat 3'h3: Reads 8 bytes per beat 3'h4: Reads 16 bytes per beat Others: Reserved The total number of bytes that the DMAC reads into the MFIFO when it executes a DMALD instruction is the product of src_burst_len and src_burst_size.
0	RO	0x0	src_inc 1'b0: Fixed-address burst. The DMAC signals ARBURST[0] LOW. 1'b1: Incrementing-address burst. The DMAC signals ARBURST[0] HIGH.

**DMAC LC0 0**

Address: Operational Base + offset (0x040c)

Bit	Attr	Reset Value	Description
31:8	RO	0x0	reserved
7:0	RO	0x00	loop_counter_iterations Loop counter 0 iterations

**DMAC LC1 0**

Address: Operational Base + offset (0x0410)

Bit	Attr	Reset Value	Description
31:8	RO	0x0	reserved
7:0	RO	0x00	loop_counter_iterations Loop counter 1 iterations

**DMAC SAR1**

Address: Operational Base + offset (0x0420)

Bit	Attr	Reset Value	Description
31:0	RO	0x00000000	src_addr Address of the source data for DMA channel 1

**DMAC DAR1**

Address: Operational Base + offset (0x0424)

Bit	Attr	Reset Value	Description
31:0	RO	0x00000000	dst_addr Address of the Destination data for DMA channel 1

**DMAC CCR1**

Address: Operational Base + offset (0x0428)

Bit	Attr	Reset Value	Description
31:28	RO	0x0	reserved

Bit	Attr	Reset Value	Description
27:25	RO	0x0	dst_cache_ctrl Bit [27] 1'b0: AWCACHE[3] is LOW 1'b1: AWCACHE[3] is HIGH Bit [26] 1'b0: AWCACHE[1] is LOW 1'b1: AWCACHE[1] is HIGH Bit [25] 1'b0: AWCACHE[0] is LOW 1'b1: AWCACHE[0] is HIGH
24:22	RO	0x0	dst_prot_ctrl Bit [24] 1'b0: AWPROT[2] is LOW 1'b1: AWPROT[2] is HIGH Bit [23] 1'b0: AWPROT[1] is LOW 1'b1: AWPROT[1] is HIGH Bit [22] 1'b0: AWPROT[0] is LOW 1'b1: AWPROT[0] is HIGH
21:18	RO	0x0	dst_burst_len the destination data: 4'h0: 1 data transfer 4'h1: 2 data transfers 4'h2: 3 data transfers ... 4'hf: 16 data transfers The total number of bytes that the DMAC writes out of the MFIFO when it executes a DMAST instruction is the product of dst_burst_len and dst_burst_size.
17:15	RO	0x0	dst_burst_size 3'h0: Writes 1 byte per beat 3'h1: Writes 2 bytes per beat 3'h2: Writes 4 bytes per beat 3'h3: Writes 8 bytes per beat 3'h4: Writes 16 bytes per beat Others: Reserved The total number of bytes that the DMAC writes out of the MFIFO when it executes a DMAST instruction is the product of dst_burst_len and dst_burst_size.
14	RO	0x0	dst_inc 1'b0: Fixed-address burst. The DMAC signals AWBURST[0] LOW. 1'b1: Incrementing-address burst. The DMAC signals AWBURST[0] HIGH.
13:11	RO	0x0	src_cache_ctrl Bit [13] 1'b0: ARCACHE[2] is LOW 1'b1: ARCACHE[2] is HIGH Bit [12] 1'b0: ARCACHE[1] is LOW 1'b1: ARCACHE[1] is HIGH Bit [11] 1'b0: ARCACHE[0] is LOW 1'b1: ARCACHE[0] is HIGH



Bit	Attr	Reset Value	Description
10:8	RO	0x0	src_prot_ctrl Bit [10] 1'b0: ARPROT[2] is LOW 1'b1: ARPROT[2] is HIGH Bit [9] 1'b0: ARPROT[1] is LOW 1'b1: ARPROT[1] is HIGH Bit [8] 1'b0: ARPROT[0] is LOW 1'b1: ARPROT[0] is HIGH
7:4	RO	0x0	src_burst_len 4'h0: 1 data transfer 4'h1: 2 data transfers 4'h2: 3 data transfers ... 4'hf: 16 data transfers The total number of bytes that the DMAC reads into the MFIFO when it executes a DMALD instruction is the product of src_burst_len and src_burst_size.
3:1	RO	0x0	src_burst_size 3'h0: Reads 1 byte per beat 3'h1: Reads 2 bytes per beat 3'h2: Reads 4 bytes per beat 3'h3: Reads 8 bytes per beat 3'h4: Reads 16 bytes per beat Others: Reserved The total number of bytes that the DMAC reads into the MFIFO when it executes a DMALD instruction is the product of src_burst_len and src_burst_size.
0	RO	0x0	src_inc 1'b0: Fixed-address burst. The DMAC signals ARBURST[0] LOW. 1'b1: Incrementing-address burst. The DMAC signals ARBURST[0] HIGH.

**DMAC LC0 1**

Address: Operational Base + offset (0x042c)

Bit	Attr	Reset Value	Description
31:8	RO	0x0	reserved
7:0	RO	0x00	loop_counter_iterations Loop counter 0 iterations

**DMAC LC1 1**

Address: Operational Base + offset (0x0430)

Bit	Attr	Reset Value	Description
31:8	RO	0x0	reserved
7:0	RO	0x00	loop_counter_iterations Loop counter 1 iterations

**DMAC SAR2**

Address: Operational Base + offset (0x0440)

Bit	Attr	Reset Value	Description
31:0	RO	0x00000000	src_addr Address of the source data for DMA channel 2

**DMAC DAR2**

Address: Operational Base + offset (0x0444)

Bit	Attr	Reset Value	Description
31:0	RO	0x00000000	dst_addr Address of the Destination data for DMA channel 2

**DMAC CCR2**

Address: Operational Base + offset (0x0448)

Bit	Attr	Reset Value	Description
31:28	RO	0x0	reserved
27:25	RO	0x0	dst_cache_ctrl Bit [27] 1'b0: AWCACHE[3] is LOW 1'b1: AWCACHE[3] is HIGH Bit [26] 1'b0: AWCACHE[1] is LOW 1'b1: AWCACHE[1] is HIGH Bit [25] 1'b0: AWCACHE[0] is LOW 1'b1: AWCACHE[0] is HIGH
24:22	RO	0x0	dst_prot_ctrl Bit [24] 1'b0: AWPROT[2] is LOW 1'b1: AWPROT[2] is HIGH Bit [23] 1'b0: AWPROT[1] is LOW 1'b1: AWPROT[1] is HIGH Bit [22] 1'b0: AWPROT[0] is LOW 1'b1: AWPROT[0] is HIGH
21:18	RO	0x0	dst_burst_len the destination data: 4'h0: 1 data transfer 4'h1: 2 data transfers 4'h2: 3 data transfers ... 4'hf: 16 data transfers The total number of bytes that the DMAC writes out of the MFIFO when it executes a DMAST instruction is the product of <u>dst_burst_len</u> and <u>dst_burst_size</u> .
17:15	RO	0x0	dst_burst_size 3'h0: Writes 1 byte per beat 3'h1: Writes 2 bytes per beat 3'h2: Writes 4 bytes per beat 3'h3: Writes 8 bytes per beat 3'h4: Writes 16 bytes per beat Others: Reserved The total number of bytes that the DMAC writes out of the MFIFO when it executes a DMAST instruction is the product of <u>dst_burst_len</u> and <u>dst_burst_size</u> .
14	RO	0x0	dst_inc 1'b0: Fixed-address burst. The DMAC signals AWBURST[0] LOW. 1'b1: Incrementing-address burst. The DMAC signals AWBURST[0] HIGH.

Bit	Attr	Reset Value	Description
13:11	RO	0x0	src_cache_ctrl Bit [13] 1'b0: ARCACHE[2] is LOW 1'b1: ARCACHE[2] is HIGH Bit [12] 1'b0: ARCACHE[1] is LOW 1'b1: ARCACHE[1] is HIGH Bit [11] 1'b0: ARCACHE[0] is LOW 1'b1: ARCACHE[0] is HIGH
10:8	RO	0x0	src_prot_ctrl Bit [10] 1'b0: ARPROT[2] is LOW 1'b1: ARPROT[2] is HIGH Bit [9] 1'b0: ARPROT[1] is LOW 1'b1: ARPROT[1] is HIGH Bit [8] 1'b0: ARPROT[0] is LOW 1'b1: ARPROT[0] is HIGH
7:4	RO	0x0	src_burst_len 4'h0: 1 data transfer 4'h1: 2 data transfers 4'h2: 3 data transfers ... 4'hf: 16 data transfers The total number of bytes that the DMAC reads into the MFIFO when it executes a DMALD instruction is the product of src_burst_len and src_burst_size.
3:1	RO	0x0	src_burst_size 3'h0: Reads 1 byte per beat 3'h1: Reads 2 bytes per beat 3'h2: Reads 4 bytes per beat 3'h3: Reads 8 bytes per beat 3'h4: Reads 16 bytes per beat Others: Reserved The total number of bytes that the DMAC reads into the MFIFO when it executes a DMALD instruction is the product of src_burst_len and src_burst_size.
0	RO	0x0	src_inc 1'b0: Fixed-address burst. The DMAC signals ARBURST[0] LOW. 1'b1: Incrementing-address burst. The DMAC signals ARBURST[0] HIGH.

**DMAC LC0 2**

Address: Operational Base + offset (0x044c)

Bit	Attr	Reset Value	Description
31:8	RO	0x0	reserved
7:0	RO	0x00	loop_counter_iterations Loop counter 0 iterations

**DMAC LC1 2**

Address: Operational Base + offset (0x0450)

Bit	Attr	Reset Value	Description
31:8	RO	0x0	reserved
7:0	RO	0x00	loop_counter_iterations Loop counter 1 iterations

**DMAC SAR3**

Address: Operational Base + offset (0x0460)

Bit	Attr	Reset Value	Description
31:0	RO	0x00000000	src_addr Address of the source data for DMA channel 3

**DMAC DAR3**

Address: Operational Base + offset (0x0464)

Bit	Attr	Reset Value	Description
31:0	RO	0x00000000	dst_addr Address of the Destination data for DMA channel 3

**DMAC CCR3**

Address: Operational Base + offset (0x0468)

Bit	Attr	Reset Value	Description
31:28	RO	0x0	reserved
27:25	RO	0x0	dst_cache_ctrl Bit [27] 1'b0: AWCACHE[3] is LOW 1'b1: AWCACHE[3] is HIGH Bit [26] 1'b0: AWCACHE[1] is LOW 1'b1: AWCACHE[1] is HIGH Bit [25] 1'b0: AWCACHE[0] is LOW 1'b1: AWCACHE[0] is HIGH
24:22	RO	0x0	dst_prot_ctrl Bit [24] 1'b0: AWPROT[2] is LOW 1'b1: AWPROT[2] is HIGH Bit [23] 1'b0: AWPROT[1] is LOW 1'b1: AWPROT[1] is HIGH Bit [22] 1'b0: AWPROT[0] is LOW 1'b1: AWPROT[0] is HIGH
21:18	RO	0x0	dst_burst_len the destination data: 4'h0: 1 data transfer 4'h1: 2 data transfers 4'h2: 3 data transfers ... 4'hf: 16 data transfers The total number of bytes that the DMAC writes out of the MFIFO when it executes a DMAST instruction is the product of dst_burst_len and dst_burst_size.

Bit	Attr	Reset Value	Description
17:15	RO	0x0	dst_burst_size 3'h0: Writes 1 byte per beat 3'h1: Writes 2 bytes per beat 3'h2: Writes 4 bytes per beat 3'h3: Writes 8 bytes per beat 3'h4: Writes 16 bytes per beat Others: Reserved The total number of bytes that the DMAC writes out of the MFIFO when it executes a DMAST instruction is the product of dst_burst_len and dst_burst_size.
14	RO	0x0	dst_inc 1'b0: Fixed-address burst. The DMAC signals AWBURST[0] LOW. 1'b1: Incrementing-address burst. The DMAC signals AWBURST[0] HIGH.
13:11	RO	0x0	src_cache_ctrl Bit [13] 1'b0: ARCACHE[2] is LOW 1'b1: ARCACHE[2] is HIGH Bit [12] 1'b0: ARCACHE[1] is LOW 1'b1: ARCACHE[1] is HIGH Bit [11] 1'b0: ARCACHE[0] is LOW 1'b1: ARCACHE[0] is HIGH
10:8	RO	0x0	src_prot_ctrl Bit [10] 1'b0: ARPROT[2] is LOW 1'b1: ARPROT[2] is HIGH Bit [9] 1'b0: ARPROT[1] is LOW 1'b1: ARPROT[1] is HIGH Bit [8] 1'b0: ARPROT[0] is LOW 1'b1: ARPROT[0] is HIGH
7:4	RO	0x0	src_burst_len 4'h0: 1 data transfer 4'h1: 2 data transfers 4'h2: 3 data transfers ... 4'hf: 16 data transfers The total number of bytes that the DMAC reads into the MFIFO when it executes a DMALD instruction is the product of src_burst_len and src_burst_size.
3:1	RO	0x0	src_burst_size 3'h0: Reads 1 byte per beat 3'h1: Reads 2 bytes per beat 3'h2: Reads 4 bytes per beat 3'h3: Reads 8 bytes per beat 3'h4: Reads 16 bytes per beat Others: Reserved The total number of bytes that the DMAC reads into the MFIFO when it executes a DMALD instruction is the product of src_burst_len and src_burst_size.

Bit	Attr	Reset Value	Description
0	RO	0x0	src_inc 1'b0: Fixed-address burst. The DMAC signals ARBURST[0] LOW. 1'b1: Incrementing-address burst. The DMAC signals ARBURST[0] HIGH.

**DMAC LC0 3**

Address: Operational Base + offset (0x046c)

Bit	Attr	Reset Value	Description
31:8	RO	0x0	reserved
7:0	RO	0x00	loop_counter_iterations Loop counter 0 iterations

**DMAC LC1 3**

Address: Operational Base + offset (0x0470)

Bit	Attr	Reset Value	Description
31:8	RO	0x0	reserved
7:0	RO	0x00	loop_counter_iterations Loop counter 1 iterations

**DMAC SAR4**

Address: Operational Base + offset (0x0480)

Bit	Attr	Reset Value	Description
31:0	RO	0x00000000	src_addr Address of the source data for DMA channel 4

**DMAC DAR4**

Address: Operational Base + offset (0x0484)

Bit	Attr	Reset Value	Description
31:0	RO	0x00000000	dst_addr Address of the Destination data for DMA channel 4

**DMAC CCR4**

Address: Operational Base + offset (0x0488)

Bit	Attr	Reset Value	Description
31:28	RO	0x0	reserved
27:25	RO	0x0	dst_cache_ctrl Bit [27] 1'b0: AWCACHE[3] is LOW 1'b1: AWCACHE[3] is HIGH Bit [26] 1'b0: AWCACHE[1] is LOW 1'b1: AWCACHE[1] is HIGH Bit [25] 1'b0: AWCACHE[0] is LOW 1'b1: AWCACHE[0] is HIGH
24:22	RO	0x0	dst_prot_ctrl Bit [24] 1'b0: AWPROT[2] is LOW 1'b1: AWPROT[2] is HIGH Bit [23] 1'b0: AWPROT[1] is LOW 1'b1: AWPROT[1] is HIGH Bit [22] 1'b0: AWPROT[0] is LOW 1'b1: AWPROT[0] is HIGH

Bit	Attr	Reset Value	Description
21:18	RO	0x0	dst_burst_len the destination data: 4'h0: 1 data transfer 4'h1: 2 data transfers 4'h2: 3 data transfers ... 4'hf: 16 data transfers The total number of bytes that the DMAC writes out of the MFIFO when it executes a DMAST instruction is the product of dst_burst_len and dst_burst_size.
17:15	RO	0x0	dst_burst_size 3'h0: Writes 1 byte per beat 3'h1: Writes 2 bytes per beat 3'h2: Writes 4 bytes per beat 3'h3: Writes 8 bytes per beat 3'h4: Writes 16 bytes per beat Others: Reserved The total number of bytes that the DMAC writes out of the MFIFO when it executes a DMAST instruction is the product of dst_burst_len and dst_burst_size.
14	RO	0x0	dst_inc 1'b0: Fixed-address burst. The DMAC signals AWBURST[0] LOW. 1'b1: Incrementing-address burst. The DMAC signals AWBURST[0] HIGH.
13:11	RO	0x0	src_cache_ctrl Bit [13] 1'b0: ARCACHE[2] is LOW 1'b1: ARCACHE[2] is HIGH Bit [12] 1'b0: ARCACHE[1] is LOW 1'b1: ARCACHE[1] is HIGH Bit [11] 1'b0: ARCACHE[0] is LOW 1'b1: ARCACHE[0] is HIGH
10:8	RO	0x0	src_prot_ctrl Bit [10] 1'b0: ARPROT[2] is LOW 1'b1: ARPROT[2] is HIGH Bit [9] 1'b0: ARPROT[1] is LOW 1'b1: ARPROT[1] is HIGH Bit [8] 1'b0: ARPROT[0] is LOW 1'b1: ARPROT[0] is HIGH
7:4	RO	0x0	src_burst_len 4'h0: 1 data transfer 4'h1: 2 data transfers 4'h2: 3 data transfers ... 4'hf: 16 data transfers The total number of bytes that the DMAC reads into the MFIFO when it executes a DMALD instruction is the product of src_burst_len and src_burst_size.

Bit	Attr	Reset Value	Description
3:1	RO	0x0	src_burst_size 3'h0: Reads 1 byte per beat 3'h1: Reads 2 bytes per beat 3'h2: Reads 4 bytes per beat 3'h3: Reads 8 bytes per beat 3'h4: Reads 16 bytes per beat Others: Reserved The total number of bytes that the DMAC reads into the MFIFO when it executes a DMALD instruction is the product of src_burst_len and src_burst_size.
0	RO	0x0	src_inc 1'b0: Fixed-address burst. The DMAC signals ARBURST[0] LOW. 1'b1: Incrementing-address burst. The DMAC signals ARBURST[0] HIGH.

**DMAC LC0 4**

Address: Operational Base + offset (0x048c)

Bit	Attr	Reset Value	Description
31:8	RO	0x0	reserved
7:0	RO	0x00	loop_counter_iterations Loop counter 0 iterations

**DMAC LC1 4**

Address: Operational Base + offset (0x0490)

Bit	Attr	Reset Value	Description
31:8	RO	0x0	reserved
7:0	RO	0x00	loop_counter_iterations Loop counter 1 iterations

**DMAC SAR5**

Address: Operational Base + offset (0x04a0)

Bit	Attr	Reset Value	Description
31:0	RO	0x00000000	src_addr Address of the source data for DMA channel 5

**DMAC DAR5**

Address: Operational Base + offset (0x04a4)

Bit	Attr	Reset Value	Description
31:0	RO	0x00000000	dst_addr Address of the Destination data for DMA channel 5

**DMAC CCR5**

Address: Operational Base + offset (0x04a8)

Bit	Attr	Reset Value	Description
31:28	RO	0x0	reserved
27:25	RO	0x0	dst_cache_ctrl Bit [27] 1'b0: AWCACHE[3] is LOW 1'b1: AWCACHE[3] is HIGH Bit [26] 1'b0: AWCACHE[1] is LOW 1'b1: AWCACHE[1] is HIGH Bit [25] 1'b0: AWCACHE[0] is LOW 1'b1: AWCACHE[0] is HIGH



Bit	Attr	Reset Value	Description
24:22	RO	0x0	dst_prot_ctrl Bit [24] 1'b0: AWPROT[2] is LOW 1'b1: AWPROT[2] is HIGH Bit [23] 1'b0: AWPROT[1] is LOW 1'b1: AWPROT[1] is HIGH Bit [22] 1'b0: AWPROT[0] is LOW 1'b1: AWPROT[0] is HIGH
21:18	RO	0x0	dst_burst_len the destination data: 4'h0: 1 data transfer 4'h1: 2 data transfers 4'h2: 3 data transfers ... 4'hf: 16 data transfers The total number of bytes that the DMAC writes out of the MFIFO when it executes a DMAST instruction is the product of dst_burst_len and dst_burst_size.
17:15	RO	0x0	dst_burst_size 3'h0: Writes 1 byte per beat 3'h1: Writes 2 bytes per beat 3'h2: Writes 4 bytes per beat 3'h3: Writes 8 bytes per beat 3'h4: Writes 16 bytes per beat Others: Reserved The total number of bytes that the DMAC writes out of the MFIFO when it executes a DMAST instruction is the product of dst_burst_len and dst_burst_size.
14	RO	0x0	dst_inc 1'b0: Fixed-address burst. The DMAC signals AWBURST[0] LOW. 1'b1: Incrementing-address burst. The DMAC signals AWBURST[0] HIGH.
13:11	RO	0x0	src_cache_ctrl Bit [13] 1'b0: ARCACHE[2] is LOW 1'b1: ARCACHE[2] is HIGH Bit [12] 1'b0: ARCACHE[1] is LOW 1'b1: ARCACHE[1] is HIGH Bit [11] 1'b0: ARCACHE[0] is LOW 1'b1: ARCACHE[0] is HIGH
10:8	RO	0x0	src_prot_ctrl Bit [10] 1'b0: ARPROT[2] is LOW 1'b1: ARPROT[2] is HIGH Bit [9] 1'b0: ARPROT[1] is LOW 1'b1: ARPROT[1] is HIGH Bit [8] 1'b0: ARPROT[0] is LOW 1'b1: ARPROT[0] is HIGH

Bit	Attr	Reset Value	Description
7:4	RO	0x0	src_burst_len 4'h0: 1 data transfer 4'h1: 2 data transfers 4'h2: 3 data transfers ... 4'hf: 16 data transfers The total number of bytes that the DMAC reads into the MFIFO when it executes a DMALD instruction is the product of src_burst_len and src_burst_size.
3:1	RO	0x0	src_burst_size 3'h0: Reads 1 byte per beat 3'h1: Reads 2 bytes per beat 3'h2: Reads 4 bytes per beat 3'h3: Reads 8 bytes per beat 3'h4: Reads 16 bytes per beat Others: Reserved The total number of bytes that the DMAC reads into the MFIFO when it executes a DMALD instruction is the product of src_burst_len and src_burst_size.
0	RO	0x0	src_inc 1'b0: Fixed-address burst. The DMAC signals ARBURST[0] LOW. 1'b1: Incrementing-address burst. The DMAC signals ARBURST[0] HIGH.

**DMAC LC0 5**

Address: Operational Base + offset (0x04ac)

Bit	Attr	Reset Value	Description
31:8	RO	0x0	reserved
7:0	RO	0x00	loop_counter_iterations Loop counter 0 iterations

**DMAC LC1 5**

Address: Operational Base + offset (0x04b0)

Bit	Attr	Reset Value	Description
31:8	RO	0x0	reserved
7:0	RO	0x00	loop_counter_iterations Loop counter 1 iterations

**DMAC SAR6**

Address: Operational Base + offset (0x04c0)

Bit	Attr	Reset Value	Description
31:0	RO	0x00000000	src_addr Address of the source data for DMA channel 6

**DMAC DAR6**

Address: Operational Base + offset (0x04c4)

Bit	Attr	Reset Value	Description
31:0	RO	0x00000000	dst_addr Address of the Destination data for DMA channel 6

**DMAC CCR6**

Address: Operational Base + offset (0x04c8)

Bit	Attr	Reset Value	Description
31:28	RO	0x0	reserved

Bit	Attr	Reset Value	Description
27:25	RO	0x0	dst_cache_ctrl Bit [27] 1'b0: AWCACHE[3] is LOW 1'b1: AWCACHE[3] is HIGH Bit [26] 1'b0: AWCACHE[1] is LOW 1'b1: AWCACHE[1] is HIGH Bit [25] 1'b0: AWCACHE[0] is LOW 1'b1: AWCACHE[0] is HIGH
24:22	RO	0x0	dst_prot_ctrl Bit [24] 1'b0: AWPROT[2] is LOW 1'b1: AWPROT[2] is HIGH Bit [23] 1'b0: AWPROT[1] is LOW 1'b1: AWPROT[1] is HIGH Bit [22] 1'b0: AWPROT[0] is LOW 1'b1: AWPROT[0] is HIGH
21:18	RO	0x0	dst_burst_len the destination data: 4'h0: 1 data transfer 4'h1: 2 data transfers 4'h2: 3 data transfers ... 4'hf: 16 data transfers The total number of bytes that the DMAC writes out of the MFIFO when it executes a DMAST instruction is the product of dst_burst_len and dst_burst_size.
17:15	RO	0x0	dst_burst_size 3'h0: Writes 1 byte per beat 3'h1: Writes 2 bytes per beat 3'h2: Writes 4 bytes per beat 3'h3: Writes 8 bytes per beat 3'h4: Writes 16 bytes per beat Others: Reserved The total number of bytes that the DMAC writes out of the MFIFO when it executes a DMAST instruction is the product of dst_burst_len and dst_burst_size.
14	RO	0x0	dst_inc 1'b0: Fixed-address burst. The DMAC signals AWBURST[0] LOW. 1'b1: Incrementing-address burst. The DMAC signals AWBURST[0] HIGH.
13:11	RO	0x0	src_cache_ctrl Bit [13] 1'b0: ARCACHE[2] is LOW 1'b1: ARCACHE[2] is HIGH Bit [12] 1'b0: ARCACHE[1] is LOW 1'b1: ARCACHE[1] is HIGH Bit [11] 1'b0: ARCACHE[0] is LOW 1'b1: ARCACHE[0] is HIGH

Bit	Attr	Reset Value	Description
10:8	RO	0x0	src_prot_ctrl Bit [10] 1'b0: ARPROT[2] is LOW 1'b1: ARPROT[2] is HIGH Bit [9] 1'b0: ARPROT[1] is LOW 1'b1: ARPROT[1] is HIGH Bit [8] 1'b0: ARPROT[0] is LOW 1'b1: ARPROT[0] is HIGH
7:4	RO	0x0	src_burst_len 4'h0: 1 data transfer 4'h1: 2 data transfers 4'h2: 3 data transfers ... 4'hf: 16 data transfers The total number of bytes that the DMAC reads into the MFIFO when it executes a DMALD instruction is the product of src_burst_len and src_burst_size.
3:1	RO	0x0	src_burst_size 3'h0: Reads 1 byte per beat 3'h1: Reads 2 bytes per beat 3'h2: Reads 4 bytes per beat 3'h3: Reads 8 bytes per beat 3'h4: Reads 16 bytes per beat Others: Reserved The total number of bytes that the DMAC reads into the MFIFO when it executes a DMALD instruction is the product of src_burst_len and src_burst_size.
0	RO	0x0	src_inc 1'b0: Fixed-address burst. The DMAC signals ARBURST[0] LOW. 1'b1: Incrementing-address burst. The DMAC signals ARBURST[0] HIGH.

**DMAC LC0 6**

Address: Operational Base + offset (0x04cc)

Bit	Attr	Reset Value	Description
31:8	RO	0x0	reserved
7:0	RO	0x00	loop_counter_iterations Loop counter 0 iterations

**DMAC LC1 6**

Address: Operational Base + offset (0x04d0)

Bit	Attr	Reset Value	Description
31:8	RO	0x0	reserved
7:0	RO	0x00	loop_counter_iterations Loop counter 1 iterations

**DMAC SAR7**

Address: Operational Base + offset (0x04e0)

Bit	Attr	Reset Value	Description
31:0	RO	0x00000000	src_addr Address of the source data for DMA channel 7

**DMAC DAR7**

Address: Operational Base + offset (0x04e4)

Bit	Attr	Reset Value	Description
31:0	RO	0x00000000	dst_addr Address of the Destination data for DMA channel 7

**DMAC CCR7**

Address: Operational Base + offset (0x04e8)

Bit	Attr	Reset Value	Description
31:28	RO	0x0	reserved
27:25	RO	0x0	dst_cache_ctrl Bit [27] 1'b0: AWCACHE[3] is LOW 1'b1: AWCACHE[3] is HIGH Bit [26] 1'b0: AWCACHE[1] is LOW 1'b1: AWCACHE[1] is HIGH Bit [25] 1'b0: AWCACHE[0] is LOW 1'b1: AWCACHE[0] is HIGH
24:22	RO	0x0	dst_prot_ctrl Bit [24] 1'b0: AWPROT[2] is LOW 1'b1: AWPROT[2] is HIGH Bit [23] 1'b0: AWPROT[1] is LOW 1'b1: AWPROT[1] is HIGH Bit [22] 1'b0: AWPROT[0] is LOW 1'b1: AWPROT[0] is HIGH
21:18	RO	0x0	dst_burst_len the destination data: 4'h0: 1 data transfer 4'h1: 2 data transfers 4'h2: 3 data transfers ... 4'hf: 16 data transfers The total number of bytes that the DMAC writes out of the MFIFO when it executes a DMAST instruction is the product of <u>dst_burst_len</u> and <u>dst_burst_size</u> .
17:15	RO	0x0	dst_burst_size 3'h0: Writes 1 byte per beat 3'h1: Writes 2 bytes per beat 3'h2: Writes 4 bytes per beat 3'h3: Writes 8 bytes per beat 3'h4: Writes 16 bytes per beat Others: Reserved The total number of bytes that the DMAC writes out of the MFIFO when it executes a DMAST instruction is the product of <u>dst_burst_len</u> and <u>dst_burst_size</u> .
14	RO	0x0	dst_inc 1'b0: Fixed-address burst. The DMAC signals AWBURST[0] LOW. 1'b1: Incrementing-address burst. The DMAC signals AWBURST[0] HIGH.

Bit	Attr	Reset Value	Description
13:11	RO	0x0	src_cache_ctrl Bit [13] 1'b0: ARCACHE[2] is LOW 1'b1: ARCACHE[2] is HIGH Bit [12] 1'b0: ARCACHE[1] is LOW 1'b1: ARCACHE[1] is HIGH Bit [11] 1'b0: ARCACHE[0] is LOW 1'b1: ARCACHE[0] is HIGH
10:8	RO	0x0	src_prot_ctrl Bit [10] 1'b0: ARPROT[2] is LOW 1'b1: ARPROT[2] is HIGH Bit [9] 1'b0: ARPROT[1] is LOW 1'b1: ARPROT[1] is HIGH Bit [8] 1'b0: ARPROT[0] is LOW 1'b1: ARPROT[0] is HIGH
7:4	RO	0x0	src_burst_len 4'h0: 1 data transfer 4'h1: 2 data transfers 4'h2: 3 data transfers ... 4'hf: 16 data transfers The total number of bytes that the DMAC reads into the MFIFO when it executes a DMALD instruction is the product of src_burst_len and src_burst_size.
3:1	RO	0x0	src_burst_size 3'h0: Reads 1 byte per beat 3'h1: Reads 2 bytes per beat 3'h2: Reads 4 bytes per beat 3'h3: Reads 8 bytes per beat 3'h4: Reads 16 bytes per beat Others: Reserved The total number of bytes that the DMAC reads into the MFIFO when it executes a DMALD instruction is the product of src_burst_len and src_burst_size.
0	RO	0x0	src_inc 1'b0: Fixed-address burst. The DMAC signals ARBURST[0] LOW. 1'b1: Incrementing-address burst. The DMAC signals ARBURST[0] HIGH.

**DMAC LC0 7**

Address: Operational Base + offset (0x04ec)

Bit	Attr	Reset Value	Description
31:8	RO	0x0	reserved
7:0	RO	0x00	loop_counter_iterations Loop counter 0 iterations

**DMAC LC1 7**

Address: Operational Base + offset (0x04f0)

Bit	Attr	Reset Value	Description
31:8	RO	0x0	reserved
7:0	RO	0x00	loop_counter_iterations Loop counter 1 iterations

**DMAC\_DBGSTATUS**

Address: Operational Base + offset (0x0d00)

Bit	Attr	Reset Value	Description
31:1	RO	0x0	reserved
0	RO	0x0	dbgstatus 1'b0: Idle 1'b1: Busy

**DMAC\_DBGCMD**

Address: Operational Base + offset (0x0d04)

Bit	Attr	Reset Value	Description
31:2	RO	0x0	reserved
1:0	WO	0x0	dbgcmd 2'b00: Execute the instruction that the DMAC_DBGINST [1:0] Registers contain Others: Reserved

**DMAC\_DBGINST0**

Address: Operational Base + offset (0x0d08)

Bit	Attr	Reset Value	Description
31:24	WO	0x00	instruction_byte1 Instruction byte 1
23:16	WO	0x00	instruction_byte0 Instruction byte 0
15:11	RO	0x0	reserved
10:8	WO	0x0	channel_number 3'b000: DMA channel 0 3'b001: DMA channel 1 3'b010: DMA channel 2 ... 3'b111: DMA channel 7
7:1	RO	0x0	reserved
0	WO	0x0	debug_thread 1'b0: DMA manager thread 1'b1: DMA channel

**DMAC\_DBGINST1**

Address: Operational Base + offset (0x0d0c)

Bit	Attr	Reset Value	Description
31:24	WO	0x00	instruction_byte5 Instruction byte 5
23:16	WO	0x00	instruction_byte4 Instruction byte 4
15:8	WO	0x00	instruction_byte3 Instruction byte 3
7:0	WO	0x00	instruction_byte2 Instruction byte 2

**DMAC\_CR0**

Address: Operational Base + offset (0x0e00)

Bit	Attr	Reset Value	Description
31:22	RO	0x0	reserved
21:17	RO	0x0f	num_events 5'h0: 1 interrupt output, irq[0] 5'h1: 2 interrupt outputs, irq[1:0] 5'h2: 3 interrupt outputs, irq[2:0] ... 5'h1f: 32 interrupt outputs, irq[31:0]
16:12	RO	0x13	num_periph_req 5'h0: 1 peripheral request interface 5'h1: 2 peripheral request interfaces 5'h2: 3 peripheral request interfaces ... 5'h1f: 32 peripheral request interfaces
11:7	RO	0x0	reserved
6:4	RO	0x7	num_chnls 3'b000: 1 DMA channel 3'b001: 2 DMA channels 3'b010: 3 DMA channels ... 3'b111: 8 DMA channels
3	RO	0x0	reserved
2	RO	0x1	mgr_ns_at_rst 1'b0: boot_manager_ns was LOW 1'b1: boot_manager_ns was HIGH
1	RO	0x0	boot_en 1'b0: boot_from_pc was LOW 1'b1: boot_from_pc was HIGH
0	RO	0x1	periph_req 1'b0: The DMAC does not provide a peripheral request interface 1'b1: The DMAC provides the number of peripheral request interfaces that the num_periph_req field specifies

**DMAC\_CR1**

Address: Operational Base + offset (0x0e04)

Bit	Attr	Reset Value	Description
31:8	RO	0x0	reserved
7:4	RO	0xb	num_i_cache_lines 4'b0000: 1 i-cache line 4'b0001: 2 i-cache lines 4'b0010: 3 i-cache lines ... 4'b1111: 16 i-cache lines
3	RO	0x0	reserved
2:0	RO	0x5	i_cache_len 3'b010: 4 bytes 3'b011: 8 bytes 3'b100: 16 bytes 3'b101: 32 bytes Others: Reserved

**DMAC\_CR2**

Address: Operational Base + offset (0x0e08)



Bit	Attr	Reset Value	Description
31:0	RO	0x00000000	boot_addr Provides the value of boot_addr[31:0] when the DMAC exited from reset

**DMAC CR3**

Address: Operational Base + offset (0x0e0c)

Bit	Attr	Reset Value	Description
31:0	RO	0x0000ffff	ins Bit [N] 1'b0: Assigns event<N> or irq[N] to the Secure state 1'b1: Assigns event<N> or irq[N] to the Non-secure state

**DMAC CR4**

Address: Operational Base + offset (0x0e10)

Bit	Attr	Reset Value	Description
31:0	RO	0x000fffff	pns Bit [N] 1'b0: Assigns peripheral request interface N to the Secure state 1'b1: Assigns peripheral request interface N to the Non-secure state

**DMAC CRDn**

Address: Operational Base + offset (0x0e14)

Bit	Attr	Reset Value	Description
31:30	RO	0x0	reserved
29:20	RO	0x07f	data_buffer_dep 10'b000000000: 1 line 10'b000000001: 2 lines ... 10'b111111111: 1024 lines
19:16	RO	0xf	rd_q_dep 4'b0000: 1 line 4'b0001: 2 lines ... 4'b1111: 16 lines
15	RO	0x0	reserved
14:12	RO	0x7	rd_cap 3'b000: 1 3'b001: 2 ... 3'b111: 8
11:8	RO	0xf	wr_q_dep 4'b0000: 1 line 4'b0001: 2 lines ... 4'b1111: 16 lines
7	RO	0x0	reserved
6:4	RO	0x7	wr_cap 3'b000: 1 3'b001: 2 ... 3'b111: 8
3	RO	0x0	reserved

Bit	Attr	Reset Value	Description
2:0	RO	0x3	data_width 3'b010: 32-bit 3'b011: 64-bit 3'b100: 128-bit Others:Reserved

**DMAC WD**

Address: Operational Base + offset (0x0e80)

Bit	Attr	Reset Value	Description
31:1	RO	0x0	reserved
0	RW	0x0	wd_irq_only 1'b0: The DMAC aborts all of the contributing DMA channels and sets irq_abort HIGH 1'b1: The DMAC sets irq_abort HIGH

**12.5 Timing Diagram**

Following picture shows the relationship between dma\_req and dma\_ack.

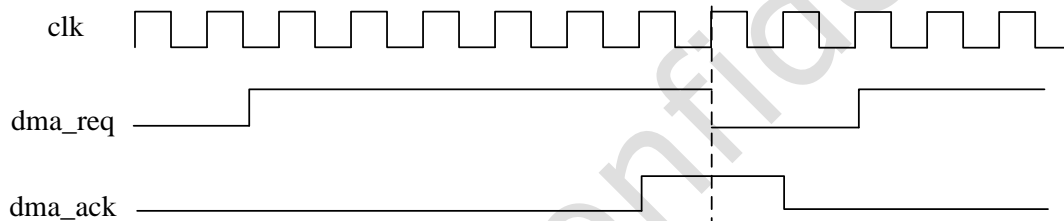


Fig. 12-3 DMAC Request and Acknowledge Timing

**12.6 Application Notes**

**12.6.1 Using the APB Slave Interfaces**

You must ensure that you use the appropriate APB interface, depending on the security state in which the boot\_manager\_ns initializes the DMAC to operate. For example, if the DMAC is in the secure state, you must issue the instruction using the secure APB interface, otherwise the DMAC ignores the instruction. You can use the secure APB interface, or the non-secure APB interface, to start or restart a DMA channel when the DMAC is in the Non-secure state.

The necessary steps to start a DMA channel thread using the debug instruction registers as following:

1. Create a program for the DMA channel.
2. Store the program in a region of system memory.
3. Poll the DMAC\_DBGSTATUS Register to ensure that debug is idle, that is, the dbgstatus bit is 0.
4. Write to the DMAC\_DBGINST0 Register and enter the:
  - Instruction byte 0 encoding for DMAGO.
  - Instruction byte 1 encoding for DMAGO.
  - Debug thread bit to 0. This selects the DMA manager thread.
5. Write to the DBGINST1 Register with the DMAGO instruction byte [5:2] data, see Debug Instruction-1 Register o. You must set these four bytes to the address of the first instruction in the program that was written to system memory in step 2.
6. Writing zero to the DMAC\_DBGCMD Register. The DMAC starts the DMA channel thread and sets the dbgstatus bit to 1.

**12.6.2 Security Usage**

**DMA manager thread is in the secure state**

If the DNS bit is 0, the DMA manager thread operates in the secure state and it only

performs secure instruction fetches. When a DMA manager thread in the secure state processes:

**DMAGO**

It uses the status of the ns bit, to set the security state of the DMA channel thread by writing to the CNS bit for that channel.

**DMAWFE**

It halts execution of the thread until the event occurs. When the event occurs, the DMAC continues execution of the thread, irrespective of the security state of the corresponding INS bit.

**DMASEV**

It sets the corresponding bit in the INT\_EVENT\_RIS Register, irrespective of the security state of the corresponding INS bit.

**DMA manager thread is in the Non-secure state**

If the DNS bit is 1, the DMA manager thread operates in the Non-secure state, and it only performs non-secure instruction fetches. When a DMA manager thread in the Non-secure state processes:

**DMAGO**

The DMAC uses the status of the ns bit, to control if it starts a DMA channel thread. If: ns = 0

The DMAC does not start a DMA channel thread and instead it:

1. Executes a NOP.
2. Sets the DMAC\_FSRD Register, see Fault Status DMA Manager
3. Sets the dmago\_err bit in the DMAC\_FTRD Register, see Fault Type DMA Manager Register.
4. Moves the DMA manager to the Faulting state.

ns = 1

The DMAC starts a DMA channel thread in the Non-secure state and programs the CNS bit to be non-secure.

**DMAWFE**

The DMAC uses the status of the corresponding INS bit, in the DMAC\_CR3 Register, to control if it waits for the event. If:

INS = 0

The event is in the Secure state. The DMAC:

1. Executes a NOP.
2. Sets the DMAC\_FSRD Register, see Fault Status DMA Manager Register.
3. Sets the mgr\_evnt\_err bit in the DMAC\_FTRD Register, see Fault Type DMA Manager Register.
4. Moves the DMA manager to the Faulting state.

INS = 1

The event is in the Non-secure state. The DMAC halts execution of the thread and waits for the event to occur.

**DMASEV**

The DMAC uses the status of the corresponding INS bit, in the CR3 Register, to control if it creates the event-interrupt. If:

INS = 0

The event-interrupt resource is in the secure state. The DMAC:

1. Executes a NOP.
2. Sets the DMAC\_FSRD Register, see Fault Status DMA Manager Register.
3. Sets the mgr\_evnt\_err bit in the DMAC\_FTRD Register, see Fault Type DMA Manager Register.

4. Moves the DMA manager to the Faulting state.

INS = 1

The event-interrupt resource is in the Non-secure state. The DMAC creates the event-interrupt.

#### **DMA channel thread is in the secure state**

When the CNS bit is 0, the DMA channel thread is programmed to operate in the Secure state and it only performs secure instruction fetches.

When a DMA channel thread in the secure state processes the following instructions:

#### **DMAWFE**

The DMAC halts execution of the thread until the event occurs. When the event occurs, the DMAC continues execution of the thread, irrespective of the security state of the corresponding INS bit, in the DMAC\_CR3 Register.

#### **DMASEV**

The DMAC creates the event-interrupt, irrespective of the security state of the corresponding INS bit, in the DMAC\_CR3 Register.

#### **DMAWFP**

The DMAC halts execution of the thread until the peripheral signals a DMA request. When this occurs, the DMAC continues execution of the thread, irrespective of the security state of the corresponding PNS bit, in the DMAC\_CR4 Register.

#### **DMALDP, DMASTP**

The DMAC sends a message to the peripheral to communicate that data transfer is complete, irrespective of the security state of the corresponding PNS bit, in the DMAC\_CR4 Register.

#### **DMAFLUSHP**

The DMAC clears the state of the peripheral and sends a message to the peripheral to resend its level status, irrespective of the security state of the corresponding PNS bit, in the DMAC\_CR4 Register.

When a DMA channel thread is in the Secure state, it enables the DMAC to perform secure and non-secure AXI accesses.

#### **DMA channel thread is in the Non-secure state**

When the CNS bit is 1, the DMA channel thread is programmed to operate in the Non-secure state and it only performs non-secure instruction fetches.

When a DMA channel thread in the Non-secure state processes the following instructions:

#### **DMAWFE**

The DMAC uses the status of the corresponding INS bit, in the DMAC\_CR3 Register, to control if it waits for the event. If:

INS = 0

The event is in the Secure state. The DMAC:

1. Executes a NOP.
2. Sets the appropriate bit in the DMAC\_FSRC Register that corresponds to the DMA channel number. See Fault Status DMA Channel Register.
3. Sets the ch\_evnt\_err bit in the DMAC\_FTRn(n=0~7) Register, see Fault Type DMA Channel Registers.
4. Moves the DMA channel to the Faulting completing state.

INS = 1

The event is in the Non-secure state. The DMAC halts execution of the thread and waits for the event to occur.

#### **DMASEV**

The DMAC uses the status of the corresponding INS bit, in the DMAC\_CR3 Register, to control if it creates the event. If:

INS = 0

The event-interrupt resource is in the Secure state. The DMAC:

1. Executes a NOP.
2. Sets the appropriate bit in the DMAC\_FSRC Register that corresponds to the DMA channel number. See Fault Status DMA Channel Register.
3. Sets the ch\_evnt\_err bit in the DMAC\_FTRn(n=0~7) Register, see Fault Type DMA Channel Registers.
4. Moves the DMA channel to the Faulting completing state.

INS = 1

The event-interrupt resource is in the Non-secure state. The DMAC creates the event-interrupt.

#### **DMAWFP**

The DMAC uses the status of the corresponding PNS bit, in the DMAC\_CR4 Register, to control if it waits for the peripheral to signal a request. If:

PNS = 0

The peripheral is in the Secure state. The DMAC:

1. Executes a NOP.
2. Sets the appropriate bit in the DMAC\_FSRC Register that corresponds to the DMA channel number. See Fault Status DMA Channel Register.
3. Sets the ch\_periph\_err bit in the DMAC\_FTRn(n=0~7) Register, see Fault Type DMA Channel Registers.
4. Moves the DMA channel to the Faulting completing state.

PNS = 1

The peripheral is in the Non-secure state. The DMAC halts execution of the thread and waits for the peripheral to signal a request.

#### **DMALDP, DMASTP**

The DMAC uses the status of the corresponding PNS bit, in the DMAC\_CR4 Register, to control if it sends an acknowledgement to the peripheral. If:

PNS = 0

The peripheral is in the secure state. The DMAC:

1. Executes a NOP.
2. Sets the appropriate bit in the DMAC\_FSRC Register that corresponds to the DMA channel number. See Fault Status DMA Channel Register.
3. Sets the ch\_periph\_err bit in the DMAC\_FTRn(n=0~7) Register, see Fault Type DMA Channel Registers.
4. Moves the DMA channel to the Faulting completing state.

PNS = 1

The peripheral is in the Non-secure state. The DMAC sends a message to the peripheral to communicate when the data transfer is complete.

#### **DMAFLUSHP**

The DMAC uses the status of the corresponding PNS bit, in the DMAC\_CR4 Register, to control if it sends a flush request to the peripheral. If:

PNS = 0

The peripheral is in the secure state. The DMAC:

1. Executes a NOP.
2. Sets the appropriate bit in the DMAC\_FSRC Register that corresponds to the DMA channel number. See Fault Status DMA Channel Register.
3. Sets the ch\_periph\_err bit in the DMAC\_FTRn(n=0~7) Register, see Fault Type DMA Channel Registers.
4. Moves the DMA channel to the Faulting completing state.

PNS = 1

The peripheral is in the Non-secure state. The DMAC clears the state of the peripheral and

sends a message to the peripheral to resend its level status.

When a DMA channel thread is in the Non-secure state, and a DMAMOV CCR instruction attempts to program the channel to perform a secure AXI transaction, the DMAC:

1. Executes a DMANOP.
2. Sets the appropriate bit in the DMAC\_FSRC Register that corresponds to the DMA channel number. See Fault Status DMA Channel Register.
3. Sets the ch\_rdw\_err bit in the DMAC\_FTRn(n=0~7) Register, see Fault Type DMA Channel Registers.
4. Moves the DMA channel thread to the Faulting completing state.

### **12.6.3 Programming Restrictions**

#### **Fixed unaligned bursts**

The DMAC does not support fixed unaligned bursts. If you program the following conditions, the DMAC treats this as a programming error:

Unaligned read

- src\_inc field is 0 in the DMAC\_CCRn(n=0~7) Register
- the DMAC\_SARn(n=0~7) Register contains an address that is not aligned to the size of data that the src\_burst\_size field contain

Unaligned write

- dst\_inc field is 0 in the DMAC\_CCRn(n=0~7) Register
- the DMAC\_DARn(n=0~7) Register contains an address that is not aligned to the size of data that the dst\_burst\_size field contains

#### **Endian swap size restrictions**

If you program the endian\_swap\_size field in the DMAC\_CCRn(n=0~7) Register, to enable a DMA channel to perform an endian swap then you must set the corresponding DMAC\_SARn(n=0~7) Register and the corresponding DMAC\_DARn(n=0~7) Register to contain an address that is aligned to the value that the endian\_swap\_size field contains.

#### **Updating DMA channel control registers during a DMA cycle restrictions**

Prior to the DMAC executing a sequence of DMALD and DMAST instructions, the values you program in to the DMAC\_CCRn(n=0~7) Register, DMAC\_SARn(n=0~7) Register, and DMAC\_DARn(n=0~7) Register control the data byte lane manipulation that the DMAC performs when it transfers the data from the source address to the destination address. You'd better not update these registers during a DMA cycle.

#### **Resource sharing between DMA channels**

DMA channel programs share the MFIFO data storage resource. You must not start a set of concurrently running DMA channel programs with a resource requirement that exceeds the configured size of the MFIFO. If you exceed this limit then the DMAC might lock up and generate a Watchdog abort.

### **12.6.4 Unaligned Transfers**

For a configuration with more than one channel, if any of channels 1 to 7 is performing transfers between certain types of misaligned source and destination addresses, then the output data may be corrupted by the action of channel 0.

Data corruption might occur if all of the following are true:

1. Two beats of AXI read data are received for one of channels 1 to 7.
2. Source and destination address alignments mean that each read data beat is split across two lines in the data buffer (see Splitting data, below).
3. There is one idle cycle between the two read data beats.
4. Channel 0 performs an operation that updates channel control information during this idle cycle (see Updates to channel control information, below).

#### **Splitting data**

Depending upon the programmed values for the DMA transfer, one beat of read data from

the AXI interface need to be split across two lines in the internal data buffer. This occurs when the read data beat contains data bytes which will be written to addresses that wrap around at the AXI interface data width, so that these bytes could not be transferred by a single AXI write data beat of the full interface width.

Most applications of DMA do not split data in this way, so are NOT vulnerable to data corruption from this defect.

The following cases are NOT vulnerable to data corruption because they do not split data:

- Byte lane offset between source and destination addresses is 0 when source and destination addresses have the same byte lane alignment, the offset is 0 and a wrap operation that splits data cannot occur.
- Byte lane offset between source and destination addresses is a multiple of source size.

Table 12-3 Source Size in DMAC\_CCRn

Source size in DMAC_CCRn	Allowed offset between DMAC_SARn and DMAC_DARn
SS8	any offset allowed.
SS16	0,2,4,6,8,10,12,14
SS32	0,4,8,12
SS64	0,8

### 12.6.5 Interrupt Sharing between Channels

As the DMAC does not record which channel (or list of channels) have asserted an interrupt. So it will depend on your program and whether any of the visible information for that program can be used to determine progress, and help identify the interrupt source.

There are 4 likely information sources that can be used to determine the progress made by a program:

- Program counter (PC)
- Source address
- Destination address
- Loop counters (LC)

For example, a program might emit an interrupt each time that it iterates around a loop. In this case, the interrupt service routine (ISR) would need to store the loop value of each channel when it is called, and then compare against the new value when it is next called. A change in value would indicate that the program has progressed.

The ISR must be carefully written to ensure that no interrupts are lost. The sequence of operations is as follows:

1. Disable interrupts
2. Immediately clear the interrupt in DMA-330
3. Check the relevant registers for both channels to determine which must be serviced
4. Take appropriate action for the channels
5. Re-enable interrupts and exit ISR

### 12.6.6 Instruction Sets

Table 12-4 DMAC Instruction Sets

Mnemonic	Instruction	Thread Usage
DMAADDH	Add Halfword	C
DMAEND	End	M/C
DMAFLUSHP	Flush and notify Peripheral	C
DMAGO	Go	M
DMAKILL	Kill	C
DMALD	Load	C
DMALDP	Load Peripheral	C
DMALP	Loop	C
DMALPEND	Loop End	C
DMALPFE	Loop Forever	C

DMAMOV	Move	C
DMANOP	No operation	M/C
DMARMB	Read Memory Barrier	C
DMASEV	Send Event	M/C
DMAST	Store	C
DMASTP	Store and notify Peripheral	C
DMASTZ	Store Zero	C
DMAWFE	Wait For Event M	M/C
DMAWFP	Wait For Peripheral	C
DMAWMB	Write Memory Barrier	C
DMAADNH	Add Negative Halfword	C

Notes: Thread usage: C=DMA channel, M=DMA manager

### 12.6.7 Assembler Directives

In this document, only DMMADNH instruction is took as an example to show the way the instruction assembled. For the other instructions, please refer to pl330\_trm.pdf.

#### DMAADNH

Add Negative Halfword adds an immediate negative 16-bit value to the DMAC\_SARn(n=0~7) Register or DMAC\_DARn(n=0~7) Register, for the DMA channel thread. This enables the DMAC to support 2D DMA operations, or reading or writing an area of memory in a different order to naturally incrementing addresses. See Source Address Registers and Destination Address Registers.

The immediate unsigned 16-bit value is one-extended to 32 bits, to create a value that is the two's complement representation of a negative number between -65536 and -1, before the DMAC adds it to the address using 32-bit addition. The DMAC discards the carry bit so that addresses wrap from 0xFFFFFFFF to 0x00000000. The net effect is to subtract between 65536 and 1 from the current value in the Source or Destination Address Register.

Following table shows the instruction encoding.

Table 12-5 DMAC Instruction Encoding

Imm[15:8]	Imm[7:0]	0	1	0	1	1	1	ra	0
-----------	----------	---	---	---	---	---	---	----	---

#### Assembler syntax

DMAADNH <address\_register>, <16-bit immediate>

where:

<address\_register>

Selects the address register to use. It must be either:

SAR

DMAC\_SARn(n=0~7) Register and sets ra to 0.

DAR

DMAC\_DARn(n=0~7) Register and sets ra to 1.

<16-bit immediate>

The immediate value to be added to the <address\_register>.

You should specify the 16-bit immediate as the number that is to be represented in the instruction encoding. For example, DMAADNH DAR, 0xFFF0 causes the value 0xFFFFFFFFF0 to be added to the current value of the Destination Address Register, effectively subtracting 16 from the DAR.

You can only use this instruction in a DMA channel thread.



## Chapter 13 SDMMC\_BUFFER

### 13.1 Overview

The SDMMC\_BUFFER is a data buffer, which transfer data from system DMA to chip external through the SDMMC IOs. The following features are supported by SDMMC\_BUFFER

- Support 4 bits data out
- Support 1 bit clock out
- Support DMA hardware handshaking interface
- Support AHB Slave interface
- Support 32x32 fifo

### 13.2 Block Diagram

This section provides a description of SDMMC\_BUFFER components.

- AHB slave interface
- DATA FIFO
- DATA IO interface

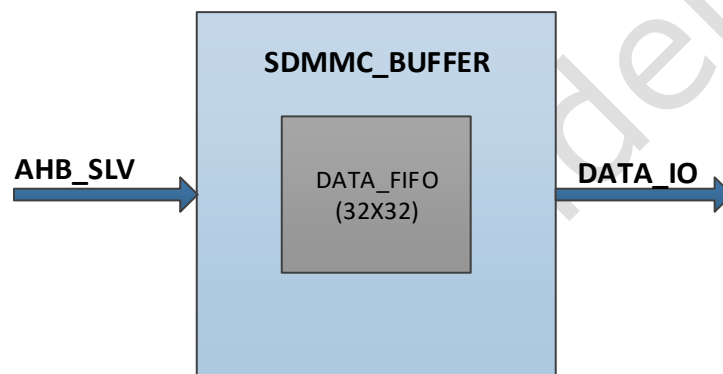


Fig. 13-1 SDMMC\_BUFFER Architecture

### 13.3 Function Description

The main block of SDMMC\_BUFFER is a 32x32 FIFO, when SDMMC\_BUFFER is enable, the DMA handshaking interface is asserted to the system DMA, then the system DMA write data to SDMMC\_BUFFER. If the FIFO in SDMMC\_BUFFER is not empty, the FIFO data will be transfer to IO

### 13.4 Interface Description

The following table is the interface mapping of between SDMMC\_BUF and SDMMC IP.

Table 13-1 SDMMC\_BUFFER interface mapping

SDMMC_BUFFER	SDMMC
sdmmc_cclk	sdmmc_cclk
sdmmc_cdata0	sdmmc_cdata0
sdmmc_cdata1	sdmmc_cdata1
sdmmc_cdata2	sdmmc_cdata2
sdmmc_cdata3	sdmmc_cdata3

### 13.5 Application Notes

The configuration sequence of enable SDMMC\_BUFFER is described as below.

- Set iomux to select sdmmc clock and data io
- Enable IO mux to SDMMC\_BUFFER by setting SYS\_GRP\_SOC\_CON10[0]
- Configure write FIFO threshold by setting SYS\_GRP\_SOC\_CON10[7:3]
- Enable SDMMC buffer by setting SYS\_GRP\_SOC\_CON10[1]
- Configure DMA to enable hardware handshaking

## Chapter 14 Temperature-Sensor ADC (TS-ADC)

### 14.1 Overview

TS-ADC Controller is used to control and get the temperature information. TS-ADC will convert for each enable channel in loop after initial setting and can be stopped by software. If you find that the temperature High in a period of time, an interrupt is generated to the processor down-measures taken; if the temperature over a period of time High, the resulting TSHUT gave CRU module, let it reset the entire chip, or via GPIO give PMIC. Also, if you find that the temperature Low in a period of time, an interrupt can be generated.

TS-ADC Controller supports the following features:

- Support to 7 channel TS-ADC (near chip center, A76\_0/1, A76\_2/3, DSU and A55\_0/1/2/3, PD\_CENTER, NPU, GPU)
- The temperature for High and Low interrupt can be configurable
- The temperature of system reset can be configurable
- The time interval of temperature detection can be configurable
- When detecting a high temperature, the time interval of temperature detection can be configurable
- High temperature debounce can be configurable
- An interrupt can be generated after TS-ADC converts all setting channel
- -40~125°C temperature range and 1°C temperature resolution

### 14.2 Block Diagram

TS-ADC controller comprises with:

- APB Interface
- TS-ADC control logic

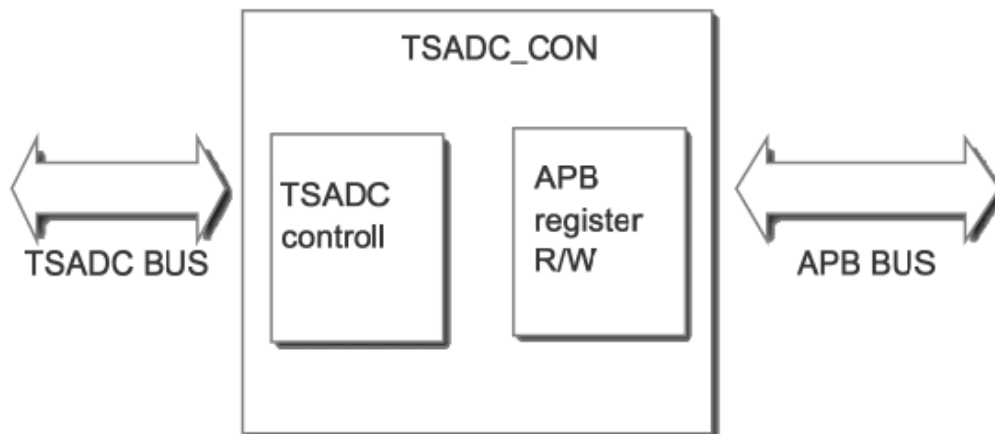


Fig. 14-1 TS-ADC Controller Block Diagram

### 14.3 Function Description

#### 14.3.1 APB Interface

There is an APB Slave interface in TS-ADC Controller, which is used to configure the TS-ADC Controller registers and look up the temperature from the temperature sensor.

#### 14.3.2 TS-ADC Controller

This block is used to control the TS-ADC PHY to meet the conversion timing and receive the temperature information from TS-ADC PHY.

## 14.4 Register Description

### 14.4.1 Registers Summary

Name	Offset	Size	Reset Value	Description
<u>TSADC_USER_CON</u>	0x0000	W	0x00000000	User control
<u>TSADC_AUTO_CON</u>	0x0004	W	0x00000000	Auto control
<u>TSADC_AUTO_STATUS</u>	0x0008	W	0x00000000	Status used in auto mode
<u>TSADC_AUTO_SRC</u>	0x000C	W	0x00000000	Channel select for TSADC in auto mode
<u>TSADC_LT_EN</u>	0x0010	W	0x00000000	Low temperature check logic enable
<u>TSADC_HT_INT_EN</u>	0x0014	W	0x00000000	High temperature interrupt enable
<u>TSADC_GPIO_EN</u>	0x0018	W	0x00000000	Temperature violation to gpio enable
<u>TSADC_CRU_EN</u>	0x001C	W	0x00000000	Temperature violation to cru enable
<u>TSADC_LT_INT_EN</u>	0x0020	W	0x00000000	Low temperature interrupt enable
<u>TSADC_HLT_INT_PD</u>	0x0024	W	0x00000000	High and low temperature interrupt status
<u>TSADC_EOC_HSHUT_PD</u>	0x0028	W	0x00000000	High temperature shut and round int status
<u>TSADC_DATA0</u>	0x002C	W	0x00000000	Channel0 data
<u>TSADC_DATA1</u>	0x0030	W	0x00000000	Channel1 data
<u>TSADC_DATA2</u>	0x0034	W	0x00000000	Channel2 data
<u>TSADC_DATA3</u>	0x0038	W	0x00000000	Channel3 data
<u>TSADC_DATA4</u>	0x003C	W	0x00000000	Channel4 data
<u>TSADC_DATA5</u>	0x0040	W	0x00000000	Channel5 data
<u>TSADC_DATA6</u>	0x0044	W	0x00000000	Channel6 data
<u>TSADC_DATA7</u>	0x0048	W	0x00000000	Channel7 data
<u>TSADC_DATA8</u>	0x004C	W	0x00000000	Channel8 data
<u>TSADC_DATA9</u>	0x0050	W	0x00000000	Channel9 data
<u>TSADC_DATA10</u>	0x0054	W	0x00000000	Channel10 data
<u>TSADC_DATA11</u>	0x0058	W	0x00000000	Channel11 data
<u>TSADC_DATA12</u>	0x005C	W	0x00000000	Channel12 data
<u>TSADC_DATA13</u>	0x0060	W	0x00000000	Channel13 data
<u>TSADC_DATA14</u>	0x0064	W	0x00000000	Channel14 data
<u>TSADC_DATA15</u>	0x0068	W	0x00000000	Channel15 data
<u>TSADC_COMP0_INT</u>	0x006C	W	0x00000000	High temperature interrupt threshold for channel0
<u>TSADC_COMP1_INT</u>	0x0070	W	0x00000000	High temperature interrupt threshold for channel1
<u>TSADC_COMP2_INT</u>	0x0074	W	0x00000000	High temperature interrupt threshold for channel2
<u>TSADC_COMP3_INT</u>	0x0078	W	0x00000000	High temperature interrupt threshold for channel3
<u>TSADC_COMP4_INT</u>	0x007C	W	0x00000000	High temperature interrupt threshold for channel4
<u>TSADC_COMP5_INT</u>	0x0080	W	0x00000000	High temperature interrupt threshold for channel5
<u>TSADC_COMP6_INT</u>	0x0084	W	0x00000000	High temperature interrupt threshold for channel6
<u>TSADC_COMP7_INT</u>	0x0088	W	0x00000000	High temperature interrupt threshold for channel7

<b>Name</b>	<b>Offset</b>	<b>Size</b>	<b>Reset Value</b>	<b>Description</b>
<u>TSADC_COMP8_INT</u>	0x008C	W	0x00000000	High temperature interrupt threshold for channel8
<u>TSADC_COMP9_INT</u>	0x0090	W	0x00000000	High temperature interrupt threshold for channel9
<u>TSADC_COMP10_INT</u>	0x0094	W	0x00000000	High temperature interrupt threshold for channel10
<u>TSADC_COMP11_INT</u>	0x0098	W	0x00000000	High temperature interrupt threshold for channel11
<u>TSADC_COMP12_INT</u>	0x009C	W	0x00000000	High temperature interrupt threshold for channel12
<u>TSADC_COMP13_INT</u>	0x0100	W	0x00000000	High temperature interrupt threshold for channel13
<u>TSADC_COMP14_INT</u>	0x0104	W	0x00000000	High temperature interrupt threshold for channel14
<u>TSADC_COMP15_INT</u>	0x0108	W	0x00000000	High temperature interrupt threshold for channel15
<u>TSADC_COMP0_SHUT</u>	0x010C	W	0x00000000	High temperature shut threshold for channel0
<u>TSADC_COMP1_SHUT</u>	0x0110	W	0x00000000	High temperature shut threshold for channel1
<u>TSADC_COMP2_SHUT</u>	0x0114	W	0x00000000	High temperature shut threshold for channel2
<u>TSADC_COMP3_SHUT</u>	0x0118	W	0x00000000	High temperature shut threshold for channel3
<u>TSADC_COMP4_SHUT</u>	0x011C	W	0x00000000	High temperature shut threshold for channel4
<u>TSADC_COMP5_SHUT</u>	0x0120	W	0x00000000	High temperature shut threshold for channel5
<u>TSADC_COMP6_SHUT</u>	0x0124	W	0x00000000	High temperature shut threshold for channel6
<u>TSADC_COMP7_SHUT</u>	0x0128	W	0x00000000	High temperature shut threshold for channel7
<u>TSADC_COMP8_SHUT</u>	0x012C	W	0x00000000	High temperature shut threshold for channel8
<u>TSADC_COMP9_SHUT</u>	0x0130	W	0x00000000	High temperature shut threshold for channel9
<u>TSADC_COMP10_SHUT</u>	0x0134	W	0x00000000	High temperature shut threshold for channel10
<u>TSADC_COMP11_SHUT</u>	0x0138	W	0x00000000	High temperature shut threshold for channel11
<u>TSADC_COMP12_SHUT</u>	0x013C	W	0x00000000	High temperature shut threshold for channel12
<u>TSADC_COMP13_SHUT</u>	0x0140	W	0x00000000	High temperature shut threshold for channel13
<u>TSADC_COMP14_SHUT</u>	0x0144	W	0x00000000	High temperature shut threshold for channel14
<u>TSADC_COMP15_SHUT</u>	0x0148	W	0x00000000	High temperature shut threshold for channel15
<u>TSADC_HIGH_INT_DEBOUNCE</u>	0x014C	W	0x00000003	High interrupt debounce
<u>TSADC_HIGHT_TSHUT_DEBOUNCE</u>	0x0150	W	0x00000003	High shut debounce
<u>TSADC_AUTO_PERIOD</u>	0x0154	W	0x00010000	Auto conversion period

<b>Name</b>	<b>Offset</b>	<b>Size</b>	<b>Reset Value</b>	<b>Description</b>
<u>TSADC_AUTO_PERIOD_HI</u>	0x0158	W	0x00010000	Auto conversion period for high temperature
<u>TSADC_COMP0_LOW_INT</u>	0x015C	W	0x00000000	Low temperature threshold for channel0
<u>TSADC_COMP1_LOW_INT</u>	0x0160	W	0x00000000	Low temperature threshold for channel1
<u>TSADC_COMP2_LOW_INT</u>	0x0164	W	0x00000000	Low temperature threshold for channel2
<u>TSADC_COMP3_LOW_INT</u>	0x0168	W	0x00000000	Low temperature threshold for channel3
<u>TSADC_COMP4_LOW_INT</u>	0x016C	W	0x00000000	Low temperature threshold for channel4
<u>TSADC_COMP5_LOW_INT</u>	0x0170	W	0x00000000	Low temperature threshold for channel5
<u>TSADC_COMP6_LOW_INT</u>	0x0174	W	0x00000000	Low temperature threshold for channel6
<u>TSADC_COMP7_LOW_INT</u>	0x0178	W	0x00000000	Low temperature threshold for channel7
<u>TSADC_COMP8_LOW_INT</u>	0x017C	W	0x00000000	Low temperature threshold for channel8
<u>TSADC_COMP9_LOW_INT</u>	0x0180	W	0x00000000	Low temperature threshold for channel9
<u>TSADC_COMP10_LOW_INT</u>	0x0184	W	0x00000000	Low temperature threshold for channel10
<u>TSADC_COMP11_LOW_INT</u>	0x0188	W	0x00000000	Low temperature threshold for channel11
<u>TSADC_COMP12_LOW_INT</u>	0x018C	W	0x00000000	Low temperature threshold for channel12
<u>TSADC_COMP13_LOW_INT</u>	0x0190	W	0x00000000	Low temperature threshold for channel13
<u>TSADC_COMP14_LOW_INT</u>	0x0194	W	0x00000000	Low temperature threshold for channel14
<u>TSADC_COMP15_LOW_INT</u>	0x0198	W	0x00000000	Low temperature threshold for channel15
<u>TSADC_T_SETUP</u>	0x019C	W	0x0000002F	Timing for setup
<u>TSADC_T_PW_EN</u>	0x0200	W	0x00000027	Timing for pw_en
<u>TSADC_T_EN_CLK</u>	0x0204	W	0x00000001	Timing for en_clk
<u>TSADC_T_NON_OV</u>	0x0208	W	0x00000002	Timing for non_ov
<u>TSADC_T_HOLD</u>	0x020C	W	0x00000013	Timing for hold
<u>TSADC_Q_MAX</u>	0x0210	W	0x00000200	Max data used for data inversion
<u>TSADC_STATIC_CON</u>	0x0214	W	0x0280001B	Static control signal
<u>TSADC_FLOW_CON</u>	0x0218	W	0x00000000	Flow control
<u>TSADC_CLK_CH_PERIOD</u>	0x021C	W	0x0000012B	CLK_CH_TS period control
<u>TSADC_T_PW_CLK</u>	0x0220	W	0x00000030	Timing for pw_clk

Notes: **B**- Byte (8 bits) access, **HW**- Half WORD (16 bits) access, **W**-WORD (32 bits) access, **DW**- Double WORD (64 bits) access

## **14.4.2 Detail Register Description**

### **TSADC\_USER\_CON**

Address: Operational Base + offset (0x0000)

Bit	Attr	Reset Value	Description
31:16	WO	0x0000	write_enable Write enable for lower 16bits, each bit is individual. 1'b1: Write access enable 1'b0: Write access disable
15:9	RO	0x00	reserved
8	RO	0x0	adc_status 1'b0: ADC stop 1'b1: Conversion in progress
7	R/W SC	0x0	start When software writes 1 to this bit, start-of-conversion will be asserted. This bit will be cleared after TSADC access finishing. Only when TSADC_USER_CON[5] = 1'b1, this bit takes effect.
6	RW	0x0	eoc_inten Enable eoc interrupt for each conversion. 1'b1: Enable 1'b0: Disable
5	RW	0x0	start_mode Start mode. 1'b0: TSADC controller will assert start_of_conversion after power up. 1'b1: The start_of_conversion will be controlled by TSADC_USER_CON[7].
4	RW	0x0	power_control ADC power control 1'b0: power down 1'b1: power up This bit is not enable when TSADC_AUTO_CON[0] is set to 1.
3:0	RW	0x0	input_src_sel ADC input source select in user mode. Can be changed from 0 - 6.

**TSADC\_AUTO\_CON**

Address: Operational Base + offset (0x0004)

Bit	Attr	Reset Value	Description
31:16	WO	0x0000	write_enable Write enable for lower 16bits, each bit is individual. 1'b1: Write access enable 1'b0: Write access disable
15:9	RO	0x00	reserved
8	RW	0x0	tshut_polarity This bit is used to control the output signal polarity to GPIO when the temperature is higher than threshold. 1'b0: Low active 1'b1: High active
7:3	RO	0x00	reserved
2	RW	0x0	round_int_en Int enable for round mode. Used for auto mode all channel set is sampled. 1'b1: Enable 1'b0: Disable
1	RW	0x0	q_sel 1'b0: Use tsadc_q as output (positive temperature coefficient) 1'b1: Use (q_max - tsadc_q) as output (negative temperature coefficient)

Bit	Attr	Reset Value	Description
0	RW	0x0	auto_en Auto conversion enable 1'b0: TSADC controller works at user-define mode 1'b1: TSADC controller works at auto mode

**TSADC AUTO STATUS**

Address: Operational Base + offset (0x0008)

Bit	Attr	Reset Value	Description
31:4	RO	0x0000000	reserved
3	RW	0x0	ht_wram High temperature status 1'b0: TSADC data is not higher than ht shut temperature 1'b1: TSADC data is higher than ht shut temperature
2	RW	0x0	auto_status TSADC auto mode status 1'b0: Auto mode stop 1'b1: Auto mode in progress
1	W0 C	0x0	last_tshut_cru Status for cru reset latest tshut, write 1 to clear.
0	W1 C	0x0	last_tshut_gpio Status for gpio latest tshut, write 1 to clear.

**TSADC AUTO SRC**

Address: Operational Base + offset (0x000C)

Bit	Attr	Reset Value	Description
31:16	WO	0x0000	write_enable Write enable for lower 16bits, each bit is individual. 1'b1: Write access enable 1'b0: Write access disable
15:0	RW	0x0000	auto_src Enable channel for TSADC in auto mode. Each bit can enable for one channel from 0 - 6.

**TSADC LT EN**

Address: Operational Base + offset (0x0010)

Bit	Attr	Reset Value	Description
31:16	WO	0x0000	write_enable Write enable for lower 16bits, each bit is individual. 1'b1: Write access enable 1'b0: Write access disable
15:0	RW	0x0000	low_temperature_vio_en Low temperature violation logic enable, each bit enables one channel. 1'b1: Enable 1'b0: Disable

**TSADC HT INT EN**

Address: Operational Base + offset (0x0014)

Bit	Attr	Reset Value	Description
31:16	WO	0x0000	write_enable Write enable for lower 16bits, each bit is individual. 1'b1: Write access enable 1'b0: Write access disable

Bit	Attr	Reset Value	Description
15:0	RW	0x0000	high_temperature_int_en High temperature interrupt enable, each bit enables one channel. 1'b1: Enable 1'b0: Disable

**TSADC GPIO EN**

Address: Operational Base + offset (0x0018)

Bit	Attr	Reset Value	Description
31:16	WO	0x0000	write_enable Write enable for lower 16bits, each bit is individual. 1'b1: Write access enable 1'b0: Write access disable
15:0	RW	0x0000	gpio_en Temperature violation to gpio enable, each bit enables one channel. 1'b1: Enable 1'b0: Disable

**TSADC CRU EN**

Address: Operational Base + offset (0x001C)

Bit	Attr	Reset Value	Description
31:16	WO	0x0000	write_enable Write enable for lower 16bits, each bit is individual. 1'b1: Write access enable 1'b0: Write access disable
15:0	RW	0x0000	cru_en Temperature violation to cru reset enable, each bit enables one channel. 1'b1: Enable 1'b0: Disable

**TSADC LT INT EN**

Address: Operational Base + offset (0x0020)

Bit	Attr	Reset Value	Description
31:16	WO	0x0000	write_enable Write enable for lower 16bits, each bit is individual. 1'b1: Write access enable 1'b0: Write access disable
15:0	RW	0x0000	low_Temperature_int_en Low temperature interrupt enable, each bit enables one channel. 1'b1: Enable 1'b0: Disable

**TSADC HLT INT PD**

Address: Operational Base + offset (0x0024)

Bit	Attr	Reset Value	Description
31:16	W1 C	0x0000	lt_int_status Low temperature interrupt status for each channel.
15:0	W1 C	0x0000	ht_int_status High temperature interrupt status for each channel.

**TSADC EOC HSHUT PD**

Address: Operational Base + offset (0x0028)

Bit	Attr	Reset Value	Description
31:18	RO	0x0000	reserved



Bit	Attr	Reset Value	Description
17	W1 C	0x0	round_int_pd Auto mode interrupt for each round of all set channel.
16	W1 C	0x0	usr_eoc_irq_pd User mode end interrupt status.
15:0	W1 C	0x0000	ht_shut_pd High temperature shut down status for each channel.

**TSADC DATA0**

Address: Operational Base + offset (0x002C)

Bit	Attr	Reset Value	Description
31:12	RO	0x00000	reserved
11:0	RO	0x000	adc_data A/D value of the channel 0 last conversion.

**TSADC DATA1**

Address: Operational Base + offset (0x0030)

Bit	Attr	Reset Value	Description
31:12	RO	0x00000	reserved
11:0	RO	0x000	adc_data A/D value of the channel 1 last conversion.

**TSADC DATA2**

Address: Operational Base + offset (0x0034)

Bit	Attr	Reset Value	Description
31:12	RO	0x00000	reserved
11:0	RO	0x000	adc_data A/D value of the channel 2 last conversion.

**TSADC DATA3**

Address: Operational Base + offset (0x0038)

Bit	Attr	Reset Value	Description
31:12	RO	0x00000	reserved
11:0	RO	0x000	adc_data A/D value of the channel 3 last conversion.

**TSADC DATA4**

Address: Operational Base + offset (0x003C)

Bit	Attr	Reset Value	Description
31:12	RO	0x00000	reserved
11:0	RO	0x000	adc_data A/D value of the channel 4 last conversion.

**TSADC DATA5**

Address: Operational Base + offset (0x0040)

Bit	Attr	Reset Value	Description
31:12	RO	0x00000	reserved
11:0	RO	0x000	adc_data A/D value of the channel 5 last conversion.

**TSADC DATA6**

Address: Operational Base + offset (0x0044)

Bit	Attr	Reset Value	Description
31:12	RO	0x00000	reserved

Bit	Attr	Reset Value	Description
11:0	RO	0x000	adc_data A/D value of the channel 6 last conversion.

**TSADC DATA7**

Address: Operational Base + offset (0x0048)

Bit	Attr	Reset Value	Description
31:12	RO	0x00000	reserved
11:0	RO	0x000	adc_data A/D value of the channel 7 last conversion.

**TSADC DATA8**

Address: Operational Base + offset (0x004C)

Bit	Attr	Reset Value	Description
31:12	RO	0x00000	reserved
11:0	RO	0x000	adc_data A/D value of the channel 8 last conversion.

**TSADC DATA9**

Address: Operational Base + offset (0x0050)

Bit	Attr	Reset Value	Description
31:12	RO	0x00000	reserved
11:0	RO	0x000	adc_data A/D value of the channel 9 last conversion.

**TSADC DATA10**

Address: Operational Base + offset (0x0054)

Bit	Attr	Reset Value	Description
31:12	RO	0x00000	reserved
11:0	RO	0x000	adc_data A/D value of the channel 10 last conversion.

**TSADC DATA11**

Address: Operational Base + offset (0x0058)

Bit	Attr	Reset Value	Description
31:12	RO	0x00000	reserved
11:0	RO	0x000	adc_data A/D value of the channel 11 last conversion.

**TSADC DATA12**

Address: Operational Base + offset (0x005C)

Bit	Attr	Reset Value	Description
31:12	RO	0x00000	reserved
11:0	RO	0x000	adc_data A/D value of the channel 12 last conversion.

**TSADC DATA13**

Address: Operational Base + offset (0x0060)

Bit	Attr	Reset Value	Description
31:12	RO	0x00000	reserved
11:0	RO	0x000	adc_data A/D value of the channel 13 last conversion.

**TSADC DATA14**

Address: Operational Base + offset (0x0064)

Bit	Attr	Reset Value	Description
31:12	RO	0x00000	reserved
11:0	RO	0x000	adc_data A/D value of the channel 14 last conversion.

**TSADC DATA15**

Address: Operational Base + offset (0x0068)

Bit	Attr	Reset Value	Description
31:12	RO	0x00000	reserved
11:0	RO	0x000	adc_data A/D value of the channel 15 last conversion.

**TSADC COMP0 INT**

Address: Operational Base + offset (0x006C)

Bit	Attr	Reset Value	Description
31:12	RO	0x00000	reserved
11:0	RW	0x000	tsadc_comp_src0 TSADC high temperature level. TSADC output is bigger than tsadc_comp, means the temperature is high. TSADC_INT will be valid.

**TSADC COMP1 INT**

Address: Operational Base + offset (0x0070)

Bit	Attr	Reset Value	Description
31:12	RO	0x00000	reserved
11:0	RW	0x000	tsadc_comp_src1 TSADC high temperature level. TSADC output is bigger than tsadc_comp, means the temperature is high. TSADC_INT will be valid.

**TSADC COMP2 INT**

Address: Operational Base + offset (0x0074)

Bit	Attr	Reset Value	Description
31:12	RO	0x00000	reserved
11:0	RW	0x000	tsadc_comp_src2 TSADC high temperature level. TSADC output is bigger than tsadc_comp, means the temperature is high. TSADC_INT will be valid.

**TSADC COMP3 INT**

Address: Operational Base + offset (0x0078)

Bit	Attr	Reset Value	Description
31:12	RO	0x00000	reserved
11:0	RW	0x000	tsadc_comp_src3 TSADC high temperature level. TSADC output is bigger than tsadc_comp, means the temperature is high. TSADC_INT will be valid.

**TSADC COMP4 INT**

Address: Operational Base + offset (0x007C)

Bit	Attr	Reset Value	Description
31:12	RO	0x00000	reserved
11:0	RW	0x000	tsadc_comp_src4 TSADC high temperature level. TSADC output is bigger than tsadc_comp, means the temperature is high. TSADC_INT will be valid.

**TSADC COMP5 INT**

Address: Operational Base + offset (0x0080)

Bit	Attr	Reset Value	Description
31:12	RO	0x00000	reserved
11:0	RW	0x000	tsadc_comp_src5 TSADC high temperature level. TSADC output is bigger than tsadc_comp, means the temperature is high. TSADC_INT will be valid.

**TSADC COMP6 INT**

Address: Operational Base + offset (0x0084)

Bit	Attr	Reset Value	Description
31:12	RO	0x00000	reserved
11:0	RW	0x000	tsadc_comp_src6 TSADC high temperature level. TSADC output is bigger than tsadc_comp, means the temperature is high. TSADC_INT will be valid.

**TSADC COMP7 INT**

Address: Operational Base + offset (0x0088)

Bit	Attr	Reset Value	Description
31:12	RO	0x00000	reserved
11:0	RW	0x000	tsadc_comp_src7 TSADC high temperature level. TSADC output is bigger than tsadc_comp, means the temperature is high. TSADC_INT will be valid.

**TSADC COMP8 INT**

Address: Operational Base + offset (0x008C)

Bit	Attr	Reset Value	Description
31:12	RO	0x00000	reserved
11:0	RW	0x000	tsadc_comp_src8 TSADC high temperature level. TSADC output is bigger than tsadc_comp, means the temperature is high. TSADC_INT will be valid.

**TSADC COMP9 INT**

Address: Operational Base + offset (0x0090)

Bit	Attr	Reset Value	Description
31:12	RO	0x00000	reserved

Bit	Attr	Reset Value	Description
11:0	RW	0x000	tsadc_comp_src9 TSADC high temperature level. TSADC output is bigger than tsadc_comp, means the temperature is high. TSADC_INT will be valid.

**TSADC COMP10 INT**

Address: Operational Base + offset (0x0094)

Bit	Attr	Reset Value	Description
31:12	RO	0x00000	reserved
11:0	RW	0x000	tsadc_comp_src10 TSADC high temperature level. TSADC output is bigger than tsadc_comp, means the temperature is high. TSADC_INT will be valid.

**TSADC COMP11 INT**

Address: Operational Base + offset (0x0098)

Bit	Attr	Reset Value	Description
31:12	RO	0x00000	reserved
11:0	RW	0x000	tsadc_comp_src11 TSADC high temperature level. TSADC output is bigger than tsadc_comp, means the temperature is high. TSADC_INT will be valid.

**TSADC COMP12 INT**

Address: Operational Base + offset (0x009C)

Bit	Attr	Reset Value	Description
31:12	RO	0x00000	reserved
11:0	RW	0x000	tsadc_comp_src12 TSADC high temperature level. TSADC output is bigger than tsadc_comp, means the temperature is high. TSADC_INT will be valid.

**TSADC COMP13 INT**

Address: Operational Base + offset (0x0100)

Bit	Attr	Reset Value	Description
31:12	RO	0x00000	reserved
11:0	RW	0x000	tsadc_comp_src13 TSADC high temperature level. TSADC output is bigger than tsadc_comp, means the temperature is high. TSADC_INT will be valid.

**TSADC COMP14 INT**

Address: Operational Base + offset (0x0104)

Bit	Attr	Reset Value	Description
31:12	RO	0x00000	reserved

Bit	Attr	Reset Value	Description
11:0	RW	0x000	tsadc_comp_src14 TSADC high temperature level. TSADC output is bigger than tsadc_comp, means the temperature is high. TSADC_INT will be valid.

**TSADC COMP15 INT**

Address: Operational Base + offset (0x0108)

Bit	Attr	Reset Value	Description
31:12	RO	0x00000	reserved
11:0	RW	0x000	tsadc_comp_src15 TSADC high temperature level. TSADC output is bigger than tsadc_comp, means the temperature is high. TSADC_INT will be valid.

**TSADC COMP0 SHUT**

Address: Operational Base + offset (0x010C)

Bit	Attr	Reset Value	Description
31:12	RO	0x00000	reserved
11:0	RW	0x000	tsadc_comp_src0 TSADC high temperature level. TSADC output is bigger than tsadc_comp, means the temperature is too high. TSHUT will be valid.

**TSADC COMP1 SHUT**

Address: Operational Base + offset (0x0110)

Bit	Attr	Reset Value	Description
31:12	RO	0x00000	reserved
11:0	RW	0x000	tsadc_comp_src1 TSADC high temperature level. TSADC output is bigger than tsadc_comp, means the temperature is too high. TSHUT will be valid.

**TSADC COMP2 SHUT**

Address: Operational Base + offset (0x0114)

Bit	Attr	Reset Value	Description
31:12	RO	0x00000	reserved
11:0	RW	0x000	tsadc_comp_src2 TSADC high temperature level. TSADC output is bigger than tsadc_comp, means the temperature is too high. TSHUT will be valid.

**TSADC COMP3 SHUT**

Address: Operational Base + offset (0x0118)

Bit	Attr	Reset Value	Description
31:12	RO	0x00000	reserved

Bit	Attr	Reset Value	Description
11:0	RW	0x000	tsadc_comp_src3 TSADC high temperature level. TSADC output is bigger than tsadc_comp, means the temperature is too high. TSHUT will be valid.

**TSADC COMP4 SHUT**

Address: Operational Base + offset (0x011C)

Bit	Attr	Reset Value	Description
31:12	RO	0x00000	reserved
11:0	RW	0x000	tsadc_comp_src4 TSADC high temperature level. TSADC output is bigger than tsadc_comp, means the temperature is too high. TSHUT will be valid.

**TSADC COMP5 SHUT**

Address: Operational Base + offset (0x0120)

Bit	Attr	Reset Value	Description
31:12	RO	0x00000	reserved
11:0	RW	0x000	tsadc_comp_src5 TSADC high temperature level. TSADC output is bigger than tsadc_comp, means the temperature is too high. TSHUT will be valid.

**TSADC COMP6 SHUT**

Address: Operational Base + offset (0x0124)

Bit	Attr	Reset Value	Description
31:12	RO	0x00000	reserved
11:0	RW	0x000	tsadc_comp_src6 TSADC high temperature level. TSADC output is bigger than tsadc_comp, means the temperature is too high. TSHUT will be valid.

**TSADC COMP7 SHUT**

Address: Operational Base + offset (0x0128)

Bit	Attr	Reset Value	Description
31:12	RO	0x00000	reserved
11:0	RW	0x000	tsadc_comp_src7 TSADC high temperature level. TSADC output is bigger than tsadc_comp, means the temperature is too high. TSHUT will be valid.

**TSADC COMP8 SHUT**

Address: Operational Base + offset (0x012C)

Bit	Attr	Reset Value	Description
31:12	RO	0x00000	reserved

Bit	Attr	Reset Value	Description
11:0	RW	0x000	tsadc_comp_src8 TSADC high temperature level. TSADC output is bigger than tsadc_comp, means the temperature is too high. TSHUT will be valid.

**TSADC COMP9 SHUT**

Address: Operational Base + offset (0x0130)

Bit	Attr	Reset Value	Description
31:12	RO	0x00000	reserved
11:0	RW	0x000	tsadc_comp_src9 TSADC high temperature level. TSADC output is bigger than tsadc_comp, means the temperature is too high. TSHUT will be valid.

**TSADC COMP10 SHUT**

Address: Operational Base + offset (0x0134)

Bit	Attr	Reset Value	Description
31:12	RO	0x00000	reserved
11:0	RW	0x000	tsadc_comp_src10 TSADC high temperature level. TSADC output is bigger than tsadc_comp, means the temperature is too high. TSHUT will be valid.

**TSADC COMP11 SHUT**

Address: Operational Base + offset (0x0138)

Bit	Attr	Reset Value	Description
31:12	RO	0x00000	reserved
11:0	RW	0x000	tsadc_comp_src11 TSADC high temperature level. TSADC output is bigger than tsadc_comp, means the temperature is too high. TSHUT will be valid.

**TSADC COMP12 SHUT**

Address: Operational Base + offset (0x013C)

Bit	Attr	Reset Value	Description
31:12	RO	0x00000	reserved
11:0	RW	0x000	tsadc_comp_src12 TSADC high temperature level. TSADC output is bigger than tsadc_comp, means the temperature is too high. TSHUT will be valid.

**TSADC COMP13 SHUT**

Address: Operational Base + offset (0x0140)

Bit	Attr	Reset Value	Description
31:12	RO	0x00000	reserved



Bit	Attr	Reset Value	Description
11:0	RW	0x000	tsadc_comp_src13 TSADC high temperature level. TSADC output is bigger than tsadc_comp, means the temperature is too high. TSHUT will be valid.

**TSADC COMP14 SHUT**

Address: Operational Base + offset (0x0144)

Bit	Attr	Reset Value	Description
31:12	RO	0x00000	reserved
11:0	RW	0x000	tsadc_comp_src14 TSADC high temperature level. TSADC output is bigger than tsadc_comp, means the temperature is too high. TSHUT will be valid.

**TSADC COMP15 SHUT**

Address: Operational Base + offset (0x0148)

Bit	Attr	Reset Value	Description
31:12	RO	0x00000	reserved
11:0	RW	0x000	tsadc_comp_src15 TSADC high temperature level. TSADC output is bigger than tsadc_comp, means the temperature is too high. TSHUT will be valid.

**TSADC HIGH INT DEBOUNCE**

Address: Operational Base + offset (0x014C)

Bit	Attr	Reset Value	Description
31:8	RO	0x000000	reserved
7:0	RW	0x03	debounce TSADC controller will only generate interrupt or TSHUT when temperature is higher than COMP_INT for "debounce" times.

**TSADC HIGHT TSHUT DEBOUNCE**

Address: Operational Base + offset (0x0150)

Bit	Attr	Reset Value	Description
31:8	RO	0x000000	reserved
7:0	RW	0x03	debounce TSADC controller will only generate interrupt or TSHUT when temperature is higher than COMP_SHUT for "debounce" times.

**TSADC AUTO PERIOD**

Address: Operational Base + offset (0x0154)

Bit	Attr	Reset Value	Description
31:0	RW	0x00010000	auto_period When auto mode is enabled, this register controls the interleave between every conversion for all channel enabled of TSADC.

**TSADC AUTO PERIOD HT**

Address: Operational Base + offset (0x0158)

Bit	Attr	Reset Value	Description
31:0	RW	0x00010000	auto_period This register controls the interleave between every conversion for all channel enabled of TSADC after the temperature is higher than COMP_SHUT or COMP_INT.

**TSADC COMP0 LOW INT**

Address: Operational Base + offset (0x015C)

Bit	Attr	Reset Value	Description
31:12	RO	0x00000	reserved
11:0	RW	0x000	tsadc_comp_src0 TSADC low temperature level. TSADC output is lower than tsadc_comp, means the temperature is low. TSADC_LOW_INT will be valid.

**TSADC COMP1 LOW INT**

Address: Operational Base + offset (0x0160)

Bit	Attr	Reset Value	Description
31:12	RO	0x00000	reserved
11:0	RW	0x000	tsadc_comp_src1 TSADC low temperature level. TSADC output is lower than tsadc_comp, means the temperature is low. TSADC_LOW_INT will be valid.

**TSADC COMP2 LOW INT**

Address: Operational Base + offset (0x0164)

Bit	Attr	Reset Value	Description
31:12	RO	0x00000	reserved
11:0	RW	0x000	tsadc_comp_src2 TSADC low temperature level. TSADC output is lower than tsadc_comp, means the temperature is low. TSADC_LOW_INT will be valid.

**TSADC COMP3 LOW INT**

Address: Operational Base + offset (0x0168)

Bit	Attr	Reset Value	Description
31:12	RO	0x00000	reserved
11:0	RW	0x000	tsadc_comp_src3 TSADC low temperature level. TSADC output is lower than tsadc_comp, means the temperature is low. TSADC_LOW_INT will be valid.

**TSADC COMP4 LOW INT**

Address: Operational Base + offset (0x016C)

Bit	Attr	Reset Value	Description
31:12	RO	0x00000	reserved
11:0	RW	0x000	tsadc_comp_src4 TSADC low temperature level. TSADC output is lower than tsadc_comp, means the temperature is low. TSADC_LOW_INT will be valid.

**TSADC COMP5 LOW INT**

Address: Operational Base + offset (0x0170)

Bit	Attr	Reset Value	Description
31:12	RO	0x00000	reserved
11:0	RW	0x000	tsadc_comp_src5 TSADC low temperature level. TSADC output is lower than tsadc_comp, means the temperature is low. TSADC_LOW_INT will be valid.

**TSADC COMP6 LOW INT**

Address: Operational Base + offset (0x0174)

Bit	Attr	Reset Value	Description
31:12	RO	0x00000	reserved
11:0	RW	0x000	tsadc_comp_src6 TSADC low temperature level. TSADC output is lower than tsadc_comp, means the temperature is low. TSADC_LOW_INT will be valid.

**TSADC COMP7 LOW INT**

Address: Operational Base + offset (0x0178)

Bit	Attr	Reset Value	Description
31:12	RO	0x00000	reserved
11:0	RW	0x000	tsadc_comp_src7 TSADC low temperature level. TSADC output is lower than tsadc_comp, means the temperature is low. TSADC_LOW_INT will be valid.

**TSADC COMP8 LOW INT**

Address: Operational Base + offset (0x017C)

Bit	Attr	Reset Value	Description
31:12	RO	0x00000	reserved
11:0	RW	0x000	tsadc_comp_src8 TSADC low temperature level. TSADC output is lower than tsadc_comp, means the temperature is low. TSADC_LOW_INT will be valid.

**TSADC COMP9 LOW INT**

Address: Operational Base + offset (0x0180)

Bit	Attr	Reset Value	Description
31:12	RO	0x00000	reserved
11:0	RW	0x000	tsadc_comp_src9 TSADC low temperature level. TSADC output is lower than tsadc_comp, means the temperature is low. TSADC_LOW_INT will be valid.

**TSADC COMP10 LOW INT**

Address: Operational Base + offset (0x0184)

Bit	Attr	Reset Value	Description
31:12	RO	0x00000	reserved

Bit	Attr	Reset Value	Description
11:0	RW	0x000	tsadc_comp_src10 TSADC low temperature level. TSADC output is lower than tsadc_comp, means the temperature is low. TSADC_LOW_INT will be valid.

**TSADC COMP11 LOW INT**

Address: Operational Base + offset (0x0188)

Bit	Attr	Reset Value	Description
31:12	RO	0x00000	reserved
11:0	RW	0x000	tsadc_comp_src11 TSADC low temperature level. TSADC output is lower than tsadc_comp, means the temperature is low. TSADC_LOW_INT will be valid.

**TSADC COMP12 LOW INT**

Address: Operational Base + offset (0x018C)

Bit	Attr	Reset Value	Description
31:12	RO	0x00000	reserved
11:0	RW	0x000	tsadc_comp_src12 TSADC low temperature level. TSADC output is lower than tsadc_comp, means the temperature is low. TSADC_LOW_INT will be valid.

**TSADC COMP13 LOW INT**

Address: Operational Base + offset (0x0190)

Bit	Attr	Reset Value	Description
31:12	RO	0x00000	reserved
11:0	RW	0x000	tsadc_comp_src13 TSADC low temperature level. TSADC output is lower than tsadc_comp, means the temperature is low. TSADC_LOW_INT will be valid.

**TSADC COMP14 LOW INT**

Address: Operational Base + offset (0x0194)

Bit	Attr	Reset Value	Description
31:12	RO	0x00000	reserved
11:0	RW	0x000	tsadc_comp_src14 TSADC low temperature level. TSADC output is lower than tsadc_comp, means the temperature is low. TSADC_LOW_INT will be valid.

**TSADC COMP15 LOW INT**

Address: Operational Base + offset (0x0198)

Bit	Attr	Reset Value	Description
31:12	RO	0x00000	reserved

Bit	Attr	Reset Value	Description
11:0	RW	0x000	tsadc_comp_src15 TSADC low temperature level. TSADC output is lower than tsadc_comp, means the temperature is low. TSADC_LOW_INT will be valid.

**TSADC T SETUP**

Address: Operational Base + offset (0x019C)

Bit	Attr	Reset Value	Description
31:16	RO	0x0000	reserved
15:0	RW	0x002f	t_setup The timing between TSADC power up and start conversion.

**TSADC T PW EN**

Address: Operational Base + offset (0x0200)

Bit	Attr	Reset Value	Description
31:16	RO	0x0000	reserved
15:0	RW	0x0027	t_pw_en The timing assert start conversion signal (EN_TEMP_SEN_TS).

**TSADC T EN CLK**

Address: Operational Base + offset (0x0204)

Bit	Attr	Reset Value	Description
31:8	RO	0x000000	reserved
7:0	RW	0x01	t_en_clk The timing between dis-assert start conversion signal (EN_TEMP_SEN_TS) and assert CLK_SEN_TS[8].

**TSADC T NON OV**

Address: Operational Base + offset (0x0208)

Bit	Attr	Reset Value	Description
31:8	RO	0x000000	reserved
7:0	RW	0x02	t_non_ov The timing between each bit assertion of CLK_SENSE_TS.

**TSADC T HOLD**

Address: Operational Base + offset (0x020C)

Bit	Attr	Reset Value	Description
31:16	RO	0x0000	reserved
15:0	RW	0x0013	t_hold The timing between dis-assert CLK_SENSE_TS and TSADC data valid.

**TSADC Q MAX**

Address: Operational Base + offset (0x0210)

Bit	Attr	Reset Value	Description
31:13	RO	0x00000	reserved
12:0	RW	0x0200	q_max This register used for TSADC_AUTO_CON[1] for inversion output data.

**TSADC STATIC CON**

Address: Operational Base + offset (0x0214)

Bit	Attr	Reset Value	Description
31:27	RW	0x00	buf_vref_sel Offset control for temperature output code.
26:23	RW	0x5	buf_slope_sel Slope control for temperature output code.
22:21	RW	0x0	comp_i_trim Comparator current timing ports.
20:17	RW	0x0	vbe_i_trm Current timing ports for VBE in PTAT generator.
16:13	RW	0x0	verf_trim Reference voltage trimming ports for reference generator.
12:9	RW	0x0	bgr_r_trim BGR control ports in reference generator.
8:5	RW	0x0	bgr_i_trim BJT emitter current control ports in reference generator.
4:2	RW	0x6	avg_mode Average mode control ports for digital filter.
1	RW	0x1	en_dem Dynamic element matching enable port.
0	RW	0x1	en_ch Digital offset cancellation enable port.

**TSADC FLOW CON**

Address: Operational Base + offset (0x0218)

Bit	Attr	Reset Value	Description
31:16	WO	0x0000	write_enable Write enable for lower 16bits, each bit is individual. 1'b1: Write access enable 1'b0: Write access disable
15:6	RO	0x000	reserved
5	W1T	0x0	usr_clk_ch_start User to toggle clk_ch in user mode, write 1'b1 to toggle the it will be clear by internal logic.
4	RW	0x0	as_pd_mode If this bit set to one, at the end of each round in auto mode, PD pin for temperature will be asserted for saving power.
3	RO	0x0	reserved
2	RW	0x0	single_d_mode If this bit set to 1, average data output is not used.
1	RW	0x0	pd_soc_mode If this bit set to 1, CLK_SENSE_TS is not used.
0	RW	0x0	eoc_mode Use eoc to end conversion.

**TSADC CLK CH PERIOD**

Address: Operational Base + offset (0x021C)

Bit	Attr	Reset Value	Description
31:0	RW	0x0000012b	clk_ch_period Control the period of CLK_CH_TS.

**TSADC T PW CLK**

Address: Operational Base + offset (0x0220)

Bit	Attr	Reset Value	Description
31:16	RO	0x0000	reserved

Bit	Attr	Reset Value	Description
15:0	RW	0x0030	t_pw_clk The timing for assertion of each bit of CLK_SENSE_TS.

## 14.5 Application Notes

### 14.5.1 Conversion Flow

The system works as following

- 1) Set the conversion channel in register TSADC\_AUTO\_SRC, jump channel is not suggested.
- 2) Temperature violation and other configuration may be set.
- 3) Set the bit[0] in register TSADC\_AUTO\_CON, then TS-ADC will work.
- 4) Then temperature information can be read from APB interface.
- 5) If TS-ADC needs to be closed, set bit[0] in register TSADC\_AUTO\_CON to 1'b0.

### 14.5.2 Timing Diagram

When TS-ADC start to work, the timing will follow the Fig.1-2

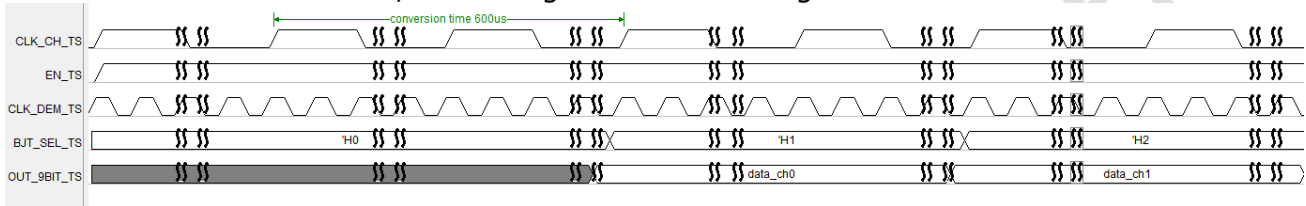


Fig. 14-2 Timing diagram for TS-ADC

When TS-ADC start to work, EN\_TS comes to high. Every two CLK\_CH\_TS cycle, the conversion of one channel is done and channel will change to next one showing as BJT\_SEL\_TS. Output data from TS-ADC PHY will be kept until next time this channel conversion is done.

CLK\_DEM\_TS is the main clock for TS-ADC, this clock frequency should be set to 2MHz which can be divided from 24MHz OSC clock. About this please refer to CRU section.

### 14.5.3 Temperature-to-Code Mapping

Table 14-1 Temperature Code Mapping

Temperature (°C)	ADC Output Data		
	Min	Typ(Dec)	Max
-40	-	220	-
25	-	285	-
85	-	345	-
125	-	385	-

Note:

Code to Temperature mapping of the Temperature sensor is a linear curve. Any temperature, code falling between to 2 given temperatures can be linearly interpolated. Code to Temperature mapping should be updated based on silicon results.

## Chapter 15 Debug

### 15.1 Overview

The chip uses the DAP-LITE2 Technology to support Cortex-A55/Cortex-A76 real-time debug.

#### 15.1.1 Features

- Invasive debug with core halted
- SW-DP

#### 15.1.2 Debug components address map

The following table shows the debug components address in debug memory map:

Module	Base Address
DAP_ROM	0x00000

### 15.2 Block Diagram

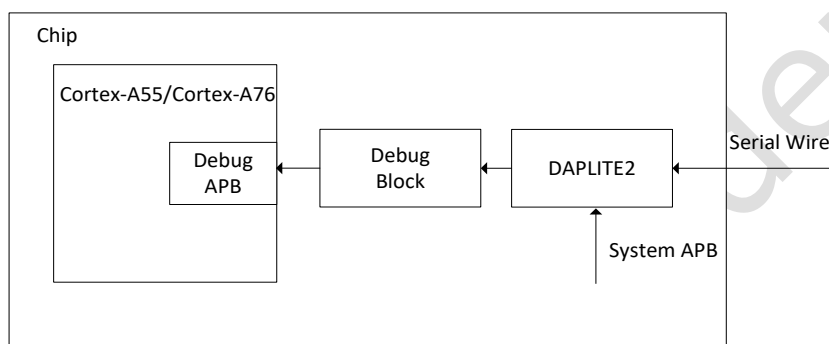


Fig. 15-1 Debug System Structure

### 15.3 Function Description

#### 15.3.1 DAP

The DAP has following components:

- Serial Wire JTAG Debug Port(SWJ-DP)
- APB Access Port(APB-AP)
- ROM table

The debug port is the host tools interface to access the DAP-Lite2. This interface controls any access ports provided within the DAP-Lite2. The DAP-Lite2 supports a combined debug port which includes both JTAG and Serial Wire Debug(SWD), with a mechanism that supports switching between them.

The APB-AP acts as a bridge between SWJ-DP and APB bus which translate the Debug request to APB bus.

The DAP provides an internal ROM table connected to the master Debug APB port of the APB-Mux. The Debug ROM table is loaded at address 0x00000000 and 0x80000000 of this bus and is accessible from both APB-AP and the system APB input. Bit[31] of the address bus is not connected to the ROM Table, ensuring that both views read the same value. The ROM table stores the locations of the components on the Debug APB.

Please refer to the document [CoreSight DAPLite2 TRM r0p0.pdf](#) for the debug detail description.

### 15.4 Register Description

Please refer to the document [CoreSight DAPLite2 TRM r0p0.pdf](#) for the debug detail description.



## 15.5 Interface Description

### 15.5.1 DAP SWJ-DP Interface

The following figure is the DAP SWJ-DP interface, the SWJ-DP is a combined JTAG-DP and SW-DP that enable you to connect either a Serial Wire Debug(SWJ) to JTAG probe to a target.

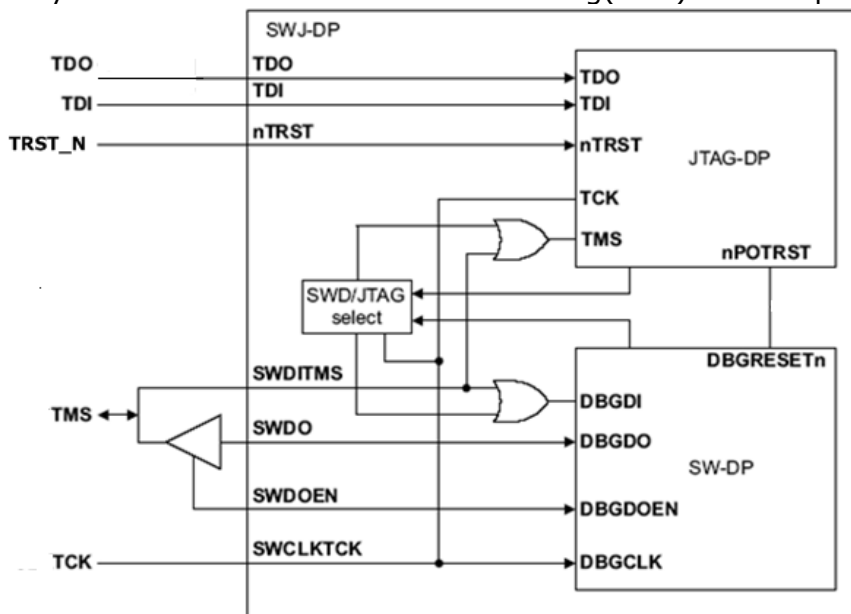


Fig. 15-2 DAP SWJ Interface

### 15.5.2 DAP SW-DP Interface

This implementation is taken from ADIV5.1 and operates with a synchronous serial interface. This uses a single bidirectional data signal, and a clock signal. The figure below describes the interaction between the timing of transactions on the serial wire interface, and the DAP internal bus transfers. It shows when the target responds with a WAIT acknowledgement.

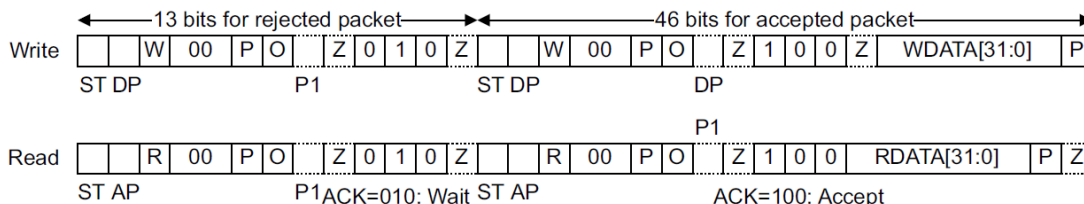


Fig. 15-3 SW-DP Acknowledgement Timing

There are three sets of serial debug interface to debug. By default, jtag\_tckm0 and jtag\_tmsm0 are connected to corresponding IO pad.

Table 15-1 SW-DP Interface Description

le pin	Direction	Pad name	IOMUX
jtag_tckm0	I	SDMMC_D2/PDM1_SDI1_M0/JTAG_TCK_M0/I2C8_SCL_M0/UART5_CTS_N_M0/GPIO4_D2_u	BUS_IOC_GPIO4D_IOMUX_SEL_L[11:8]=4'b0101
jtag_tmsm0	I/O	SDMMC_D3/PDM1_SDI0_M0/JTAG_TMS_M0/I2C8_SDA_M0/UART5_RTS_N_M0/PWM10_M1/GPIO4_D3_u	BUS_IOC_GPIO4D_IOMUX_SEL_L[15:12]=4'b0101
jtag_tckm1	I	SDMMC_D0/PDM1_SDI3_M0/JTAG_TCK_M1/I2C3_SCL_M4/UART2_TX_	BUS_IOC_GPIO4D_IOMUX_SEL_L[3:0]=4'b0101

<b>le pin</b>	<b>Direction</b>	<b>Pad name</b>	<b>IOMUX</b>
		M1/PWM8_M1/GPIO4_D0_u	
jtag_tmsm1	I/O	SDMMC_D1/PDM1_SDI2_M0/JTAG_TMS_M1/I2C3_SDA_M4/UART2_RX_M1/PWM9_M1/GPIO4_D1_u	BUS_IOC_GPIO4D_IOMUX_SEL_L[7:4]=4'b0101
jtag_tckm2	I	I2S1_MCLK_M1/JTAG_TCK_M2/I2C1_SCL_M0/UART2_TX_M0/PCIE30X1_1_CLKREQN_M0/GPIO0_B5_d	PMU2_IOC_GPIO0B_IOMUX_SEL_H[7:4]=4'b0010
jtag_tmsm2	I/O	I2S1_SCLK_M1/JTAG_TMS_M2/I2C1_SDA_M0/UART2_RX_M0/PCIE30X1_1_WAKEN_M0/GPIO0_B6_d	PMU2_IOC_GPIO0B_IOMUX_SEL_H[11:8]=4'b0010

Notes: I=input, O=output, I/O=input/output, bidirectional.

## Chapter 16 Mailbox

### 16.1 Overview

The Mailbox module is a simple APB peripheral that allows CPU, MCU core to communicate with each other by writing operation to generate interrupt. The registers are accessible via APB interface.

There are three mailbox controllers in RK3588.

The Mailbox has the following main features:

- Support APB interface
- Support four mailbox elements, each element includes one data word, one command word register and one flag bit that can represent one interrupt
- Support interrupts to CPU, and MCU core
- Provide 32 lock registers for software to use to indicate whether mailbox is occupied

### 16.2 Block Diagram

The figure below shows Mailbox block diagram:

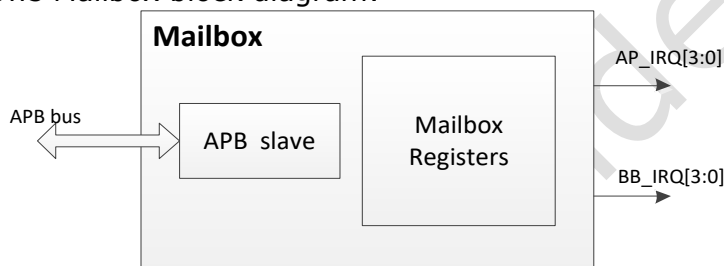


Fig. 16-1 Mailbox Block Diagram

### 16.3 Function Description

#### 16.3.1 Mailbox

- Regard CPU as the "AP" side of the Mailbox. The four elements interrupt to CPU is:
  - Enabled when MAILBOX\_B2A\_INTEN[i] is set to 1 (i=0~3) and the responding IRQs is enabled in GIC.
  - Generated when there are writing operation to corresponding MAILBOX\_B2A\_CMD\_i and MAILBOX\_B2A\_DAT\_i orderly.
  - Cleared when writing 1 to corresponding MAILBOX\_B2A\_STATUS[i].
- Regard MCU core as the "BB" side of the Mailbox. The four elements interrupt to MCU core is:
  - Enabled when MAILBOX\_A2B\_INTEN[i] is set to 1 (i=0~3) and the responding IRQs is enabled in INTC of MCU.
  - Generated when there are writing operation to corresponding MAILBOX\_A2B\_CMD\_i and MAILBOX\_A2B\_DAT\_i orderly.
  - Cleared when writing 1 to corresponding MAILBOX\_A2B\_STATUS[i].
- You can also regard CPU as the "BB" side of the Mailbox and regard MCU core as the "AP" side of the Mailbox. The configuration flow is similar.

### 16.4 Register Description

#### 16.4.1 Internal Address Mapping

Slave address can be divided into different length for different usage, which is shown as follows.

#### 16.4.2 Registers Summary

Name	Offset	Size	Reset Value	Description
MAILBOX_A2B_INTEN	0x0000	W	0x00000000	AP to BB Interrupt Enable Register
MAILBOX_A2B_STATUS	0x0004	W	0x00000000	AP to BB Interrupt Status Register

Name	Offset	Size	Reset Value	Description
MAILBOX A2B CMD 0	0x0008	W	0x00000000	AP to BB Command 0 Register
MAILBOX A2B DAT 0	0x000C	W	0x00000000	AP to BB Data 0 Register
MAILBOX A2B CMD 1	0x0010	W	0x00000000	AP to BB Command 1 Register
MAILBOX A2B DAT 1	0x0014	W	0x00000000	AP to BB Data 1 Register
MAILBOX A2B CMD 2	0x0018	W	0x00000000	AP to BB Command 2 Register
MAILBOX A2B DAT 2	0x001C	W	0x00000000	AP to BB Data 2 Register
MAILBOX A2B CMD 3	0x0020	W	0x00000000	AP to BB Command 3 Register
MAILBOX A2B DAT 3	0x0024	W	0x00000000	AP to BB Data 3 Register
MAILBOX B2A INTEN	0x0028	W	0x00000000	BB to AP Interrupt Enable Register
MAILBOX B2A STATUS	0x002C	W	0x00000000	BB to AP Interrupt Status Register
MAILBOX B2A CMD 0	0x0030	W	0x00000000	BB to AP Command 0 Register
MAILBOX B2A DAT 0	0x0034	W	0x00000000	BB to AP Data 0 Register
MAILBOX B2A CMD 1	0x0038	W	0x00000000	BB to AP Command 1 Register
MAILBOX B2A DAT 1	0x003C	W	0x00000000	BB to AP Data 1 Register
MAILBOX B2A CMD 2	0x0040	W	0x00000000	BB to AP Command 2 Register
MAILBOX B2A DAT 2	0x0044	W	0x00000000	BB to AP Data 2 Register
MAILBOX B2A CMD 3	0x0048	W	0x00000000	BB to AP Command 3 Register
MAILBOX B2A DAT 3	0x004C	W	0x00000000	BB to AP Data 3 Register

Notes: **B**- Byte (8 bits) access, **HW**- Half WORD (16 bits) access, **W**-WORD (32 bits) access, **DW**- Double WORD (64 bits) access

### 16.4.3 Detail Registers Description

#### **MAILBOX A2B INTEN**

Address: Operational Base + offset (0x0000)

Bit	Attr	Reset Value	Description
31:4	RO	0x00000000	reserved
3	RW	0x0	int3 Interrupt enable for int3. 1'b0: Disable 1'b1: Enable
2	RW	0x0	int2 Interrupt enable for int2. 1'b0: Disable 1'b1: Enable
1	RW	0x0	int1 Interrupt enable for int1. 1'b0: Disable 1'b1: Enable
0	RW	0x0	int0 Interrupt enable for int0. 1'b0: Disable 1'b1: Enable

#### **MAILBOX A2B STATUS**

Address: Operational Base + offset (0x0004)

Bit	Attr	Reset Value	Description
31:4	RO	0x00000000	reserved
3	W1 C	0x0	int3 Interrupt status for int3. Clear the interrupt by writing 1 to this bit. 1'b0: Interrupt is inactive 1'b1: Interrupt is active

Bit	Attr	Reset Value	Description
2	W1 C	0x0	int2 Interrupt status for int2. Clear the interrupt by writing 1 to this bit. 1'b0: Interrupt is inactive 1'b1: Interrupt is active
1	W1 C	0x0	int1 Interrupt status for int1. Clear the interrupt by writing 1 to this bit. 1'b0: Interrupt is inactive 1'b1: Interrupt is active
0	W1 C	0x0	int0 Interrupt status for int0. Clear the interrupt by writing 1 to this bit. 1'b0: Interrupt is inactive 1'b1: Interrupt is active

**MAILBOX A2B CMD 0**

Address: Operational Base + offset (0x0008)

Bit	Attr	Reset Value	Description
31:0	RW	0x00000000	command Command register.

**MAILBOX A2B DAT 0**

Address: Operational Base + offset (0x000C)

Bit	Attr	Reset Value	Description
31:0	RW	0x00000000	data Data register.

**MAILBOX A2B CMD 1**

Address: Operational Base + offset (0x0010)

Bit	Attr	Reset Value	Description
31:0	RW	0x00000000	command Command register.

**MAILBOX A2B DAT 1**

Address: Operational Base + offset (0x0014)

Bit	Attr	Reset Value	Description
31:0	RW	0x00000000	data Data register.

**MAILBOX A2B CMD 2**

Address: Operational Base + offset (0x0018)

Bit	Attr	Reset Value	Description
31:0	RW	0x00000000	command Command register.

**MAILBOX A2B DAT 2**

Address: Operational Base + offset (0x001C)

Bit	Attr	Reset Value	Description
31:0	RW	0x00000000	data Data register.

**MAILBOX A2B CMD 3**

Address: Operational Base + offset (0x0020)

Bit	Attr	Reset Value	Description
31:0	RW	0x00000000	command Command register.

**MAILBOX A2B DAT 3**

Address: Operational Base + offset (0x0024)

Bit	Attr	Reset Value	Description
31:0	RW	0x00000000	data Data register.

**MAILBOX B2A INTEN**

Address: Operational Base + offset (0x0028)

Bit	Attr	Reset Value	Description
31:4	RO	0x00000000	reserved
3	RW	0x0	int3 Interrupt enable for int3. 1'b0: Disable 1'b1: Enable
2	RW	0x0	int2 Interrupt enable for int2. 1'b0: Disable 1'b1: Enable
1	RW	0x0	int1 Interrupt enable for int1. 1'b0: Disable 1'b1: Enable
0	RW	0x0	int0 Interrupt enable for int0. 1'b0: Disable 1'b1: Enable

**MAILBOX B2A STATUS**

Address: Operational Base + offset (0x002C)

Bit	Attr	Reset Value	Description
31:4	RO	0x00000000	reserved
3	W1 C	0x0	int3 Interrupt status for int3. Clear the interrupt by writing 1 to this bit. 1'b0: Interrupt is inactive 1'b1: Interrupt is active
2	W1 C	0x0	int2 Interrupt status for int2. Clear the interrupt by writing 1 to this bit. 1'b0: Interrupt is inactive 1'b1: Interrupt is active
1	W1 C	0x0	int1 Interrupt status for int1. Clear the interrupt by writing 1 to this bit. 1'b0: Interrupt is inactive 1'b1: Interrupt is active
0	W1 C	0x0	int0 Interrupt status for int0. Clear the interrupt by writing 1 to this bit. 1'b0: Interrupt is inactive 1'b1: Interrupt is active

**MAILBOX B2A CMD 0**

Address: Operational Base + offset (0x0030)

Bit	Attr	Reset Value	Description
31:0	RW	0x00000000	command Command register.

**MAILBOX B2A DAT 0**

Address: Operational Base + offset (0x0034)

Bit	Attr	Reset Value	Description
31:0	RW	0x00000000	data Data register.

**MAILBOX B2A CMD 1**

Address: Operational Base + offset (0x0038)

Bit	Attr	Reset Value	Description
31:0	RW	0x00000000	command Command register.

**MAILBOX B2A DAT 1**

Address: Operational Base + offset (0x003C)

Bit	Attr	Reset Value	Description
31:0	RW	0x00000000	data Data register.

**MAILBOX B2A CMD 2**

Address: Operational Base + offset (0x0040)

Bit	Attr	Reset Value	Description
31:0	RW	0x00000000	command Command register.

**MAILBOX B2A DAT 2**

Address: Operational Base + offset (0x0044)

Bit	Attr	Reset Value	Description
31:0	RW	0x00000000	data Data register.

**MAILBOX B2A CMD 3**

Address: Operational Base + offset (0x0048)

Bit	Attr	Reset Value	Description
31:0	RW	0x00000000	command Command register.

**MAILBOX B2A DAT 3**

Address: Operational Base + offset (0x004C)

Bit	Attr	Reset Value	Description
31:0	RW	0x00000000	data Data register.

## 16.5 Application Notes

- It is recommended to read one ATOMIC\_LOCK register first when using the Mailbox. The read value is 0 means it is available, and 1 means it has been automatically locked. Writing to the ATOMIC\_LOCK register will clear this bit.
- Write to the CMD register before writing to the DAT register. If wrong order is used, then

the interrupt cannot be generated successfully.

- If you want to clear the interrupt, you can read out the STATUS register and writing 1 to corresponding bit.
- MAILBOX0 is suggested to use for communication between MCU in PD\_PMU and CPU.  
MAILBOX1 is suggested to use for communication between MCU in PD\_CENTER and CPU.  
MAILBOX2 is suggested to use for communication between MCU in PD\_NPU and CPU.

Rockchip Confidential



## Chapter 17 Watchdog Timer(WDT)

### 17.1 Overview

Watchdog Timer (WDT) is an APB slave peripheral that can be used to prevent system lockup that caused by conflicting parts or programs in a SOC. The WDT would generate interrupt or reset signal when its counter reaches zero, then a reset controller would reset the system.

WDT supports the following features:

- 32 bits APB bus width
- WDT counter's clock can be chosen from 24MHz or 32KHz clock
- 32 bits WDT counter width
- Counter counts down from a preset value to 0 to indicate the occurrence of a timeout
- WDT can perform two types of operations when timeout occurs:
  - Generate a system reset
  - First generate an interrupt and if this is not cleared by the service routine by the time a second timeout occurs then generate a system reset
- Programmable reset pulse length
- Total 16 defined-ranges of main timeout period
- There are five WDTs : WDT\_PMU,WDT\_NPU,WDT\_DDR,WDT\_S,WDT\_NS
- All the five WDTs can drive CRU to generate global software reset

### 17.2 Block Diagram

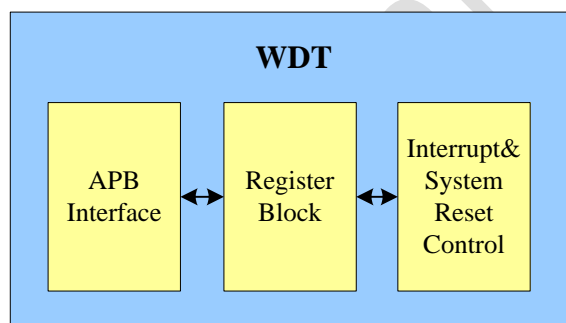


Fig. 17-1 WDT Block Diagram

WDT comprises with:

- APB Interface
- The APB Interface implements the APB slave operation. Its data bus width is 32 bits.
- Register Block

A register block that read coherence for the current count register.

- Interrupt & System Reset Control

An interrupt/system reset generation block is comprised of a decrementing counter and control logic.

### 17.3 Function Description

#### 17.3.1 Operation

##### Counter

The WDT counts from a preset (timeout) value in descending order to zero. When the counter reaches zero, depending on the output response mode selected, either a system reset or an interrupt occurs. When the counter reaches zero, it wraps to the selected timeout value and continues decrementing. The user can restart the counter to its initial value. This is programmed by writing to the restart register at any time. The process of restarting the watchdog counter is sometimes referred as kicking the dog. As a safety feature to prevent accidental restarts, the value 0x76 must be written to the Current Counter Value Register (WDT\_CRR).

### Interrupts

The WDT can be programmed to generate an interrupt (and then a system reset) when a timeout occurs. When a 1 is written to the response mode field (RMOD, bit 1) of the Watchdog Timer Control Register (WDT\_CR), the WDT generates an interrupt. If it is not cleared by the time a second timeout occurs, then it generates a system reset. If a restart occurs at the same time the watchdog counter reaches zero, an interrupt is not generated.

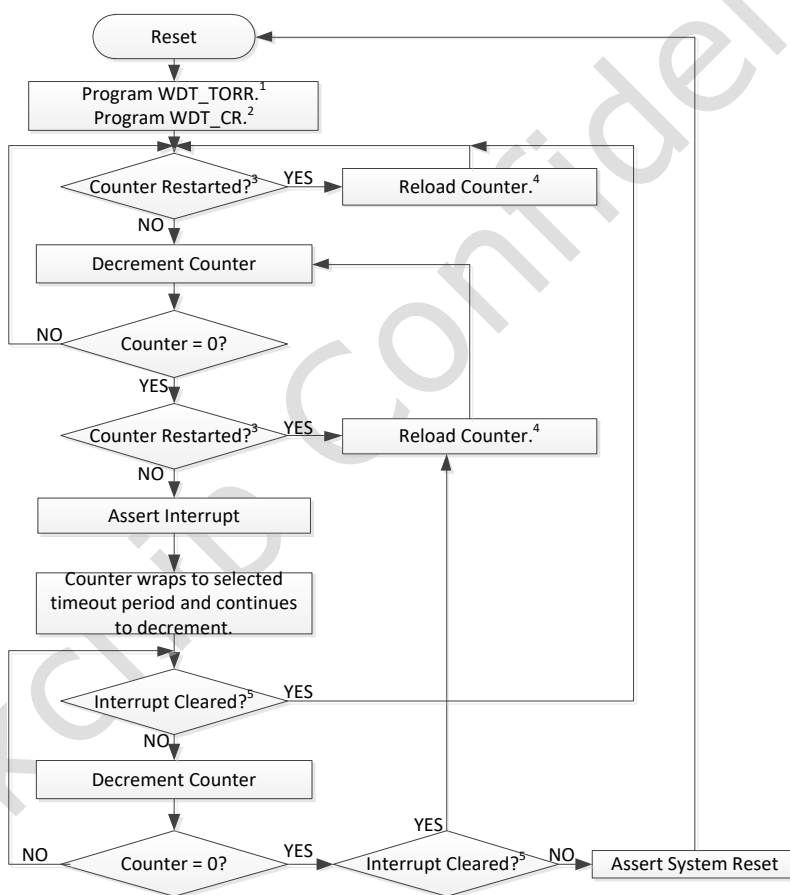
### System Resets

When a 0 is written to the output response mode field (RMOD, bit 1) of the Watchdog Timer Control Register (WDT\_CR), the WDT generates a system reset when a timeout occurs.

### Reset Pulse Length

The reset pulse length is the number of pclk cycles for which a system reset is asserted. When a system reset is generated, it remains asserted for the number of cycles specified by the reset pulse length or until the system is reset. A counter restart has no effect on the system reset once it has been asserted.

### 17.3.2 Programming Sequence



1. Select required timeout period.
2. Set reset pulse length, response mode, and enable WDT.
3. Write 0x76 to WDT\_CRR.
4. Starts back to selected timeout period.
5. Can clear by reading WDT\_EOI or restarting (kicking) the counter by writing 0x76 to WDT\_CRR.

Fig. 17-2 WDT Operation Flow (RMOD=1)

## 17.4 Register Description

This section describes the control/status registers of the design. Software should read and write these registers using 32-bits accesses. There are five WDTs , and each of them has same register group. Therefore, five WDTs' register groups have five different base addresses.

### 17.4.1 Registers Summary

Name	Offset	Size	Reset Value	Description
WDT_CR	0x0000	W	0x00000008	Control Register
WDT_TORR	0x0004	W	0x00000000	Timeout Range Register
WDT_CCVR	0x0008	W	0x0000FFFF	Current Counter Value Register
WDT_CRR	0x000C	W	0x00000000	Counter Restart Register
WDT_STAT	0x0010	W	0x00000000	Interrupt Status Register
WDT_EOI	0x0014	W	0x00000000	Interrupt Clear Register

Notes: **Size: B**- Byte (8 bits) access, **HW**- Half WORD (16 bits) access, **W**-WORD (32 bits) access, **DW**- Double WORD (64 bits) access

### 17.4.2 Detail Registers Description

#### WDT\_CR

Address: Operational Base + offset (0x0000)

Bit	Attr	Reset Value	Description
31:5	RO	0x00000000	reserved
4:2	RW	0x2	rst_pluse_length This is used to select the number of pclk cycles for which the system reset stays asserted. 3'b000: 2 pclk cycles 3'b001: 4 pclk cycles 3'b010: 8 pclk cycles 3'b011: 16 pclk cycles 3'b100: 32 pclk cycles 3'b101: 64 pclk cycles 3'b110: 128 pclk cycles 3'b111: 256 pclk cycles
1	RW	0x0	resp_mode Selects the output response generated to a timeout. 1'b0: Generate a system reset. 1'b1: First generate an interrupt and if it is not cleared by the time a second timeout occurs then generate a system reset.
0	RW	0x0	en This bit is used to enable and disable the WDT. When disabled, the counter dose not decrement .Thus, no interrupt or system reset are generated. Once this bit has been enabled, it can be cleared only by a system reset. 1'b0: WDT disabled. 1'b1: WDT enabled.

#### WDT\_TORR

Address: Operational Base + offset (0x0004)

Bit	Attr	Reset Value	Description
31:4	RO	0x00000000	reserved

Bit	Attr	Reset Value	Description
3:0	RW	0x0	<p>timeout_period This field is used to select the timeout period from which the watchdog counter restarts. A change of the timeout period takes effect only after the next counter restart (kick). The range of values available for a 32-bit watchdog counter are: 4'b0000: 0x0000ffff 4'b0001: 0x0001ffff 4'b0010: 0x0003ffff 4'b0011: 0x0007ffff 4'b0100: 0x000fffff 4'b0101: 0x001fffff 4'b0110: 0x003fffff 4'b0111: 0x007fffff 4'b1000: 0x00ffffff 4'b1001: 0x01ffffff 4'b1010: 0x03ffffff 4'b1011: 0x07ffffff 4'b1100: 0x0fffffff 4'b1101: 0x1fffffff 4'b1110: 0x3fffffff 4'b1111: 0x7fffffff</p>

**WDT CCVR**

Address: Operational Base + offset (0x0008)

Bit	Attr	Reset Value	Description
31:0	RO	0x0000ffff	<p>cur_cnt This register, when read, is the current value of the internal counter. This value is read coherently whenever it is read.</p>

**WDT CRR**

Address: Operational Base + offset (0x000C)

Bit	Attr	Reset Value	Description
31:8	RO	0x0000000	reserved
7:0	WO	0x00	<p>cnt_restart This register is used to restart the WDT counter. As a safety feature to prevent accidental restarts, the value 0x76 must be written. A restart also clears the WDT interrupt. Reading this register returns zero.</p>

**WDT STAT**

Address: Operational Base + offset (0x0010)

Bit	Attr	Reset Value	Description
31:1	RO	0x00000000	reserved
0	RO	0x0	<p>status This register shows the interrupt status of the WDT. 1'b1: Interrupt is active regardless of polarity. 1'b0: Interrupt is inactive.</p>

**WDT EOI**

Address: Operational Base + offset (0x0014)

Bit	Attr	Reset Value	Description
31:1	RO	0x00000000	reserved
0	RO	0x0	<p>int_clr This can be used to clear the interrupt without restarting the watchdog counter.</p>

## **17.5 Application Notes**

- WDTs can trigger global software reset. Please refer to Chapter 3 for more information.

Rockchip Confidential

## Chapter 18 Pulse Width Modulation (PWM)

### 18.1 Overview

The pulse-width modulator (PWM) feature is very common in embedded systems. It provides a way to generate a pulse periodic waveform for motor control or can act as a digital-to-analog converter with some external components.

The PWM module supports the following features:

- 4-built-in PWM channels
- Support capture mode
  - Measures the high/low polarity effective cycles of the input waveform
  - Generates a single interrupt at the transition of input waveform polarity
  - 32-bit high polarity capture register
  - 32-bit low polarity capture register
  - 32-bit current value register
  - The capture result can be stored in a FIFO, and the depth of FIFO is 8. The data of FIFO can be read by CPU or DMA
  - Channel 3 support 32-bits power key capture mode
  - Support switch channel IO between channel 3 and channel0/1/2
  - Support a input filter to remove glitch
- Support continuous mode or one-shot mode
  - 32-bit period counter
  - 32-bit duty register
  - 32-bit current value register
  - PWM output polarity in inactive state and duty cycle polarity can be configured
  - Period and duty cycle are shadow buffered. Change takes effect when the end of the effective period is reached or when the channel is disabled
  - Programmable center or left aligned outputs, and change takes effect when the end of the effective period is reached or when the channel is disabled
  - 8-bit repeat counter for one-shot operation. One-shot operation will produce  $N + 1$  periods of the waveform, where  $N$  is the repeat counter value, and generates a single interrupt at the end of operation
  - Continuous mode generates the waveform continuously, and does not generates any interrupts
- Support 2 main clock input, one is from crystal oscillator and the frequency is fixed, the other one is from PLL and the frequency can be configured. Each channel can select one of the clocks according to requirement.
- Support two-level frequency division.
- Available low-power mode to reduce power consumption when the channel is inactive.

## 18.2 Block Diagram

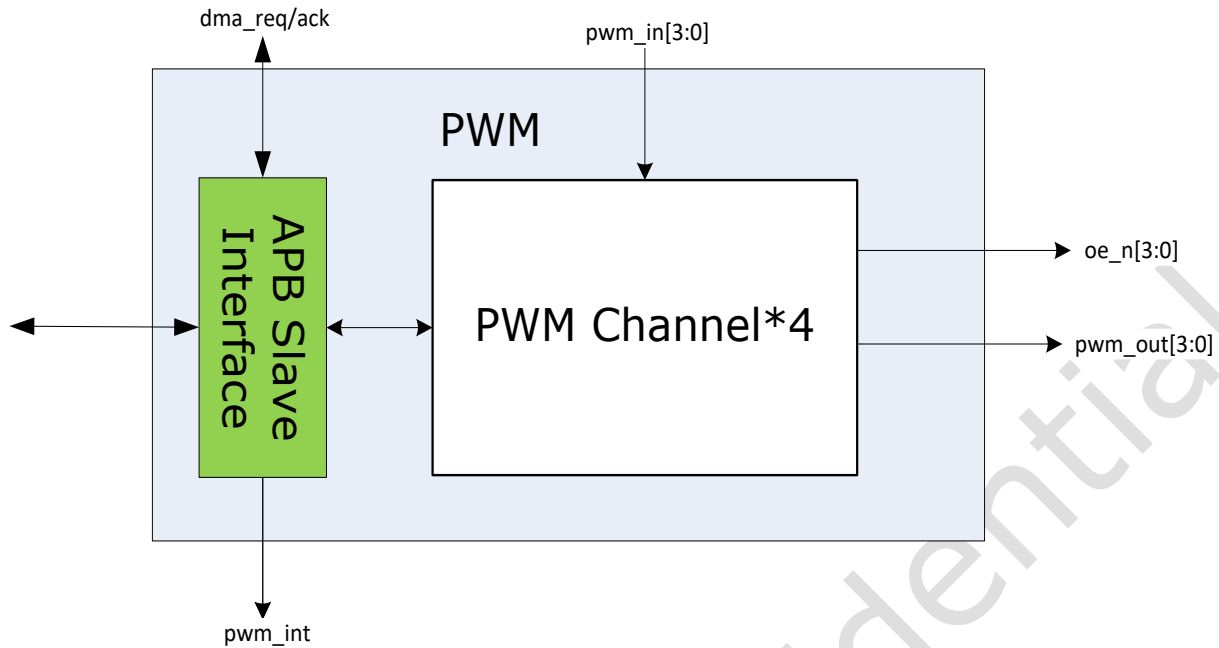


Fig. 18-1 PWM Block Diagram

The host processor gets access to PWM Register Block through the APB slave interface with 32-bit bus width, and asserts the active-high level interrupt. PWM only supports one interrupt output, please refer to interrupt register to know the raw interrupt status when an interrupt is asserted.

PWM Channel is the control logic of PWM module, and controls the operation of PWM module according to the configured working mode.

## 18.3 Function Description

The PWM supports three operation modes: capture mode, one-shot mode and continuous mode. For the one-shot mode and the continuous mode, the PWM output can be configured as the left-aligned mode or the center-aligned mode.

### 18.3.1 Capture mode

The capture mode is used to measure the PWM channel input waveform high/low effective cycles with the PWM channel clock, and asserts an interrupt when the polarity of the input waveform changes. The number of the high effective cycles is recorded in the PWMx\_PERIOD\_HPC register, while the number of the low effective cycles is recorded in the PWMx\_DUTY\_LPC register.

*Notes: the PWM input waveform is doubled buffered when the PWM channel is working in order to filter unexpected shot-time polarity transition, and therefore the interrupt is asserted several cycles after the input waveform polarity changes, and so does the change of the values of PWMx\_PERIOD\_HPC and PWMx\_DUTY\_LPC.*

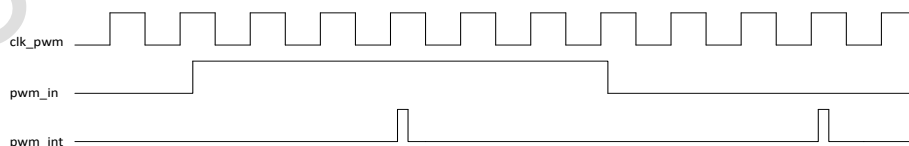


Fig. 18-2 PWM Capture Mode

The capture result can also be stored in a FIFO. The FIFO has an almost full indicator. The indicator can chose to use as an interrupt or DMA request. When it is used as an interrupt, the data in FIFO can be read by CPU. When it is used as a DMA request, the data in FIFO can be read through DMA. It also supports timeout interrupt when the data in FIFO has not been read in a time threshold.

The PWM (only channel 3) support 32-bits power key capture mode. User can configure 10 power key to match, user can poll the status to judge whether a power key access.

### 18.3.2 Continuous mode

The PWM channel generates a series of the pulses continuously as expected once the channel is enabled with continuous mode.

In the continuous mode, the PWM output waveforms can be in one form of the two output mode: left-aligned mode or center-aligned mode.

For the left-aligned output mode, the PWM channel firstly starts the duty cycle with the configured duty polarity (PWMx\_CTRL.duty\_pol). Once duty cycle number (PWMx\_DUTY\_LPC) is reached, the output is switched to the opposite polarity. After the period number (PWMx\_PERIOD\_HPC) is reached, the output is again switched to the opposite polarity to start another period of desired pulse.

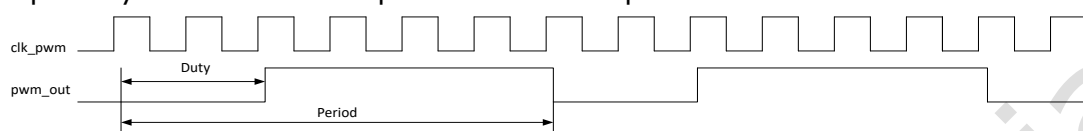


Fig. 18-3 PWM Continuous Left-aligned Output Mode

For the center-aligned output mode, the PWM channel firstly starts the duty cycle with the configured duty polarity (PWMx\_CTRL.duty\_pol). Once one half of duty cycle number (PWMx\_DUTY\_LPC) is reached, the output is switched to the opposite polarity. Then if there is one half of duty cycle left for the whole period, the output is again switched to the opposite polarity. Finally after the period number (PWMx\_PERIOD\_HPC) is reached, the output starts another period of desired pulse.

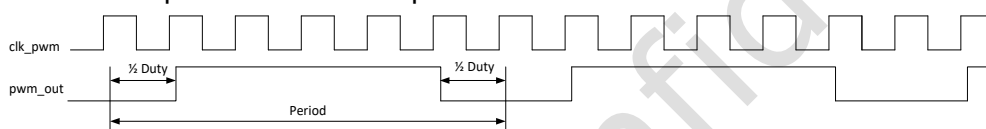


Fig. 18-4 PWM Continuous Center-aligned Output Mode

Once disable the PWM channel, the channel stops generating the output waveforms and output polarity is fixed as the configured inactive polarity (PWMx\_CTRL.inactive\_pol).

### 18.3.3 One-shot mode

Unlike the continuous mode, the PWM channel generates the output waveforms within the configured periods (PWM\_CTRL.rpt + 1), and then stops. At the same times, an interrupt is asserted to inform that the operation has been finished.

There are also two output modes for the one-shot mode: the left-aligned mode and the center-aligned mode.

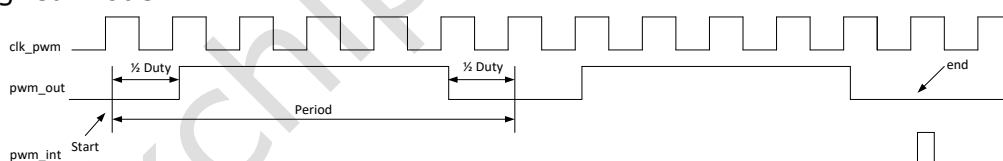


Fig. 18-5 PWM One-shot Center-aligned Output Mode

## 18.4 Register Description

### 18.4.1 Registers Summary

Name	Offset	Size	Reset Value	Description
PWM_PWM0_CNT	0x0000	W	0x00000000	PWM Channel 0 Counter Register
PWM_PWM0_PERIOD_HPR	0x0004	W	0x00000000	PWM Channel 0 Period Register/High Polarity Capture Register
PWM_PWM0_DUTY_LPR	0x0008	W	0x00000000	PWM Channel 0 Duty Register/Low Polarity Capture Register
PWM_PWM0_CTRL	0x000C	W	0x00000000	PWM Channel 0 Control Register



<b>Name</b>	<b>Offset</b>	<b>Size</b>	<b>Reset Value</b>	<b>Description</b>
<u>PWM_PWM1_CNT</u>	0x0010	W	0x00000000	PWM Channel 1 Counter Register
<u>PWM_PWM1_PERIOD_HPR</u>	0x0014	W	0x00000000	PWM Channel 1 Period Register/High Polarity Capture Register
<u>PWM_PWM1_DUTY_LPR</u>	0x0018	W	0x00000000	PWM Channel 1 Duty Register/Low Polarity Capture Register
<u>PWM_PWM1_CTRL</u>	0x001C	W	0x00000000	PWM Channel 1 Control Register
<u>PWM_PWM2_CNT</u>	0x0020	W	0x00000000	PWM Channel 2 Counter Register
<u>PWM_PWM2_PERIOD_HPR</u>	0x0024	W	0x00000000	PWM Channel 2 Period Register/High Polarity Capture Register
<u>PWM_PWM2_DUTY_LPR</u>	0x0028	W	0x00000000	PWM Channel 2 Duty Register/Low Polarity Capture Register
<u>PWM_PWM2_CTRL</u>	0x002C	W	0x00000000	PWM Channel 2 Control Register
<u>PWM_PWM3_CNT</u>	0x0030	W	0x00000000	PWM Channel 3 Counter Register
<u>PWM_PWM3_PERIOD_HPR</u>	0x0034	W	0x00000000	PWM Channel 3 Period Register/High Polarity Capture Register
<u>PWM_PWM3_DUTY_LPR</u>	0x0038	W	0x00000000	PWM Channel 3 Duty Register/Low Polarity Capture Register
<u>PWM_PWM3_CTRL</u>	0x003C	W	0x00000000	PWM Channel 3 Control Register
<u>PWM_INTSTS</u>	0x0040	W	0x00000000	Interrupt Status Register
<u>PWM_INT_EN</u>	0x0044	W	0x00000000	Interrupt Enable Register
<u>PWM_FIFO_CTRL</u>	0x0050	W	0x00000000	PWM Channel 3 FIFO Mode Control Register
<u>PWM_FIFO_INTSTS</u>	0x0054	W	0x00000010	FIFO Interrupts Status Register
<u>PWM_FIFO_TOUTTHR</u>	0x0058	W	0x00000000	FIFO Timeout Threshold Register
<u>PWM_VERSION_ID</u>	0x005C	W	0x02120B34	PWM Version ID Register
<u>PWM_FIFO</u>	0x0060	W	0x00000000	FIFO Register
<u>PWM_PWRMATCH_CTRL</u>	0x0080	W	0x00000000	Power Key Match Control Register
<u>PWM_PWRMATCH_LPPE</u>	0x0084	W	0x238C22C4	Power Key Match Of Low Preload Register
<u>PWM_PWRMATCH_HPPE</u>	0x0088	W	0x11F81130	Power Key Match Of High Preload Register
<u>PWM_PWRMATCH_LD</u>	0x008C	W	0x029401CC	Power Key Match Of Low Data Register
<u>PWM_PWRMATCH_HD_ZERO</u>	0x0090	W	0x029401CC	Power Key Match Of High Data For Zero Register
<u>PWM_PWRMATCH_HD_ONE</u>	0x0094	W	0x06FE0636	Power Key Match Of High Data For One Register

Name	Offset	Size	Reset Value	Description
<u>PWM_PWRMATCH_VALUE_0</u>	0x0098	W	0x00000000	Power Key Match Value 0 Register
<u>PWM_PWRMATCH_VALUE_1</u>	0x009C	W	0x00000000	Power Key Match Value 1 Register
<u>PWM_PWRMATCH_VALUE_2</u>	0x00A0	W	0x00000000	Power Key Match Value 2 Register
<u>PWM_PWRMATCH_VALUE_3</u>	0x00A4	W	0x00000000	Power Key Match Value 3 Register
<u>PWM_PWRMATCH_VALUE_4</u>	0x00A8	W	0x00000000	Power Key Match Value 4 Register
<u>PWM_PWRMATCH_VALUE_5</u>	0x00AC	W	0x00000000	Power Key Match Value 5 Register
<u>PWM_PWRMATCH_VALUE_6</u>	0x00B0	W	0x00000000	Power Key Match Value 6 Register
<u>PWM_PWRMATCH_VALUE_7</u>	0x00B4	W	0x00000000	Power Key Match Value 7 Register
<u>PWM_PWRMATCH_VALUE_8</u>	0x00B8	W	0x00000000	Power Key Match Value 8 Register
<u>PWM_PWRMATCH_VALUE_9</u>	0x00BC	W	0x00000000	Power Key Match Value 9 Register
<u>PWM_PWM3_PWRCAPTURE_VALUE</u>	0x00CC	W	0x00000000	Channel 3 Power Key Capture Value Register
<u>PWM_CHANNEL_IO_CTRL</u>	0x00D0	W	0x00000000	Channel IO Control Register

Notes: **Size:** **B**- Byte (8 bits) access, **HW**- Half WORD (16 bits) access, **W**-WORD (32 bits) access, **DW**- Double WORD (64 bits) access

### 18.4.2 Detail Registers Description

#### **PWM\_PWM0\_CNT**

Address: Operational Base + offset (0x0000)

Bit	Attr	Reset Value	Description
31:0	RO	0x00000000	cnt The 32-bit indicates current value of PWM Channel 0 counter. The counter runs at the rate of PWM clock. The value ranges from 0 to (2 <sup>32</sup> -1).

#### **PWM\_PWM0\_PERIOD\_HPR**

Address: Operational Base + offset (0x0004)

Bit	Attr	Reset Value	Description
31:0	RW	0x00000000	<p>period_hpr</p> <p>If PWM is operated at the continuous mode or one-shot mode, this value defines the period of the output waveform. Note that, if the PWM is operated at the center-aligned mode, the period should be an even one, and therefore only the bit [31:1] is taken into account and bit [0] always considered as 0.</p> <p>If PWM is operated at the capture mode, this value indicates the effective high polarity cycles of input waveform. This value is based on the PWM clock.</p> <p>The value ranges from 0 to <math>(2^{32}-1)</math>.</p>

**PWM PWM0 DUTY LPR**

Address: Operational Base + offset (0x0008)

Bit	Attr	Reset Value	Description
31:0	RW	0x00000000	<p>duty_lpr</p> <p>If PWM is operated at the continuous mode or one-shot mode, this value defines the duty cycle of the output waveform. The PWM starts the output waveform with duty cycle. Note that, if the PWM is operated at the center-aligned mode, the period should be an even one, and therefore only the [31:1] is taken into account.</p> <p>If PWM is operated at the capture mode, this value indicates the effective low polarity cycles of input waveform.</p> <p>This value is based on the PWM clock. The value ranges from 0 to <math>(2^{32}-1)</math>.</p>

**PWM PWM0 CTRL**

Address: Operational Base + offset (0x000C)

Bit	Attr	Reset Value	Description
31:24	RW	0x00	<p>rpt</p> <p>This field defines the repeated effective periods of output waveform in one-shot mode. The value N means N+1 repeated effective periods.</p>
23:16	RW	0x00	<p>scale</p> <p>This field defines the scale factor applied to prescaled clock. The value N means the clock is divided by <math>2^N</math>. If N is 0, it means that the clock is divided by 512(<math>2^9</math>).</p>
15	RO	0x0	reserved
14:12	RW	0x0	<p>prescale</p> <p>This field defines the prescale factor applied to input clock. The value N means that the input clock is divided by <math>2^N</math>.</p>
11	RO	0x0	reserved

Bit	Attr	Reset Value	Description
10	RW	0x0	clk_src_sel 1'b0: Select clk_pwm as root clock source. Clock is from PLL and the frequency can be configured. 1'b1: Select clk_pwm_capture as root clock source. Clock is from crystal oscillator and the frequency is fixed.
9	RW	0x0	clk_sel 1'b0: Non-scaled clock is selected as PWM clock source. It means that the prescaled clock is directly used as the PWM clock source. 1'b1: Scaled clock is selected as PWM clock source.
8	RW	0x0	force_clk_en 1'b0: Disabled. When PWM channel is inactive state, the clk_pwm to PWM clock prescale module is blocked to reduce power consumption. 1'b1: Enabled. The clk_pwm to PWM Clock prescale module is always enabled.
7	RW	0x0	ch_cnt_en 1'b0: Disabled 1'b1: Enabled
6	RW	0x0	conlock PWM period and duty lock to previous configuration 1'b0: Disable lock 1'b1: Enable lock
5	RW	0x0	output_mode 1'b0: Left aligned mode 1'b1: Center aligned mode
4	RW	0x0	inactive_pol This defines the output waveform polarity when PWM channel is in inactive state. The inactive state means that PWM finishes the complete waveform in one-shot mode or PWM channel is disabled. 1'b0: Negative 1'b1: Positive
3	RW	0x0	duty_pol This defines the polarity for duty cycle. PWM starts the output waveform with duty cycle. 1'b0: Negative 1'b1: Positive
2:1	RW	0x0	pwm_mode 2'b00: One shot mode. PWM produces the waveform within the repeated times defined by PWM0_CTRL.rpt. 2'b01: Continuous mode. PWM produces the waveform continuously. 2'b10: Capture mode. PWM measures the cycles of high/low polarity of input waveform. 2'b11: Reserved

Bit	Attr	Reset Value	Description
0	RW	0x0	<p>pwm_en</p> <p>1'b0: Disabled</p> <p>1'b1: Enabled</p> <p>If the PWM is worked in the one-shot mode, this bit will be cleared at the end of operation.</p>

**PWM PWM1 CNT**

Address: Operational Base + offset (0x0010)

Bit	Attr	Reset Value	Description
31:0	RO	0x00000000	<p>cnt</p> <p>The 32-bit indicates current value of PWM Channel 1 counter. The counter runs at the rate of PWM clock. The value ranges from 0 to (2<sup>32</sup>-1).</p>

**PWM PWM1 PERIOD HPR**

Address: Operational Base + offset (0x0014)

Bit	Attr	Reset Value	Description
31:0	RW	0x00000000	<p>period_hpr</p> <p>If PWM is operated at the continuous mode or one-shot mode, this value defines the period of the output waveform. Note that, if the PWM is operated at the center-aligned mode, the period should be an even one, and therefore only the bit [31:1] is taken into account and bit [0] always considered as 0.</p> <p>If PWM is operated at the capture mode, this value indicates the effective high polarity cycles of input waveform. This value is based on the PWM clock.</p> <p>The value ranges from 0 to (2<sup>32</sup>-1).</p>

**PWM PWM1 DUTY LPR**

Address: Operational Base + offset (0x0018)

Bit	Attr	Reset Value	Description
31:0	RW	0x00000000	<p>duty_lpr</p> <p>If PWM is operated at the continuous mode or one-shot mode, this value defines the duty cycle of the output waveform. The PWM starts the output waveform with duty cycle. Note that, if the PWM is operated at the center-aligned mode, the period should be an even one, and therefore only the [31:1] is taken into account.</p> <p>If PWM is operated at the capture mode, this value indicates the effective low polarity cycles of input waveform.</p> <p>This value is based on the PWM clock. The value ranges from 0 to (2<sup>32</sup>-1).</p>

**PWM PWM1 CTRL**

Address: Operational Base + offset (0x001C)

Bit	Attr	Reset Value	Description
31:24	RW	0x00	rpt This field defines the repeated effective periods of output waveform in one-shot mode. The value N means N+1 repeated effective periods.
23:16	RW	0x00	scale This field defines the scale factor applied to prescaled clock. The value N means the clock is divided by 2*N. If N is 0, it means that the clock is divided by 512(2*256).
15	RO	0x0	reserved
14:12	RW	0x0	prescale This field defines the prescale factor applied to input clock. The value N means that the input clock is divided by 2^N.
11	RO	0x0	reserved
10	RW	0x0	clk_src_sel 1'b0: Select clk_pwm as root clock source. Clock is from PLL and the frequency can be configured. 1'b1: Select clk_pwm_capture as root clock source. Clock is from crystal oscillator and the frequency is fixed.
9	RW	0x0	clk_sel 1'b0: Non-scaled clock is selected as PWM clock source. It means that the prescaled clock is directly used as the PWM clock source. 1'b1: Scaled clock is selected as PWM clock source.
8	RW	0x0	force_clk_en 1'b0: Disabled. When PWM channel is inactive state, the clk_pwm to PWM clock prescale module is blocked to reduce power consumption. 1'b1: Enabled. The clk_pwm to PWM Clock prescale module is always enabled.
7	RW	0x0	ch_cnt_en 1'b0: Disabled 1'b1: Enabled
6	RW	0x0	conlock PWM period and duty lock to previous configuration 1'b0: Disable lock 1'b1: Enable lock
5	RW	0x0	output_mode 1'b0: Left aligned mode 1'b1: Center aligned mode
4	RW	0x0	inactive_pol This defines the output waveform polarity when PWM channel is in inactive state. The inactive state means that PWM finishes the complete waveform in one-shot mode or PWM channel is disabled. 1'b0: Negative 1'b1: Positive

Bit	Attr	Reset Value	Description
3	RW	0x0	duty_pol This defines the polarity for duty cycle. PWM starts the output waveform with duty cycle. 1'b0: Negative 1'b1: Positive
2:1	RW	0x0	pwm_mode 2'b00: One shot mode. PWM produces the waveform within the repeated times defined by PWM1_CTRL.rpt. 2'b01: Continuous mode. PWM produces the waveform continuously. 2'b10: Capture mode. PWM measures the cycles of high/low polarity of input waveform. 2'b11: Reserved
0	RW	0x0	pwm_en 1'b0: Disabled 1'b1: Enabled If the PWM is worked in the one-shot mode, this bit will be cleared at the end of operation.

**PWM PWM2 CNT**

Address: Operational Base + offset (0x0020)

Bit	Attr	Reset Value	Description
31:0	RO	0x00000000	cnt The 32-bit indicates current value of PWM Channel 2 counter. The counter runs at the rate of PWM clock. The value ranges from 0 to (2 <sup>32</sup> -1).

**PWM PWM2 PERIOD HPR**

Address: Operational Base + offset (0x0024)

Bit	Attr	Reset Value	Description
31:0	RW	0x00000000	period_hpr If PWM is operated at the continuous mode or one-shot mode, this value defines the period of the output waveform. Note that, if the PWM is operated at the center-aligned mode, the period should be an even one, and therefore only the bit [31:1] is taken into account and bit [0] always considered as 0. If PWM is operated at the capture mode, this value indicates the effective high polarity cycles of input waveform. This value is based on the PWM clock. The value ranges from 0 to (2 <sup>32</sup> -1).

**PWM PWM2 DUTY LPR**

Address: Operational Base + offset (0x0028)

Bit	Attr	Reset Value	Description
31:0	RW	0x00000000	<p>duty_lpr</p> <p>If PWM is operated at the continuous mode or one-shot mode, this value defines the duty cycle of the output waveform. The PWM starts the output waveform with duty cycle. Note that, if the PWM is operated at the center-aligned mode, the period should be an even one, and therefore only the [31:1] is taken into account.</p> <p>If PWM is operated at the capture mode, this value indicates the effective low polarity cycles of input waveform.</p> <p>This value is based on the PWM clock. The value ranges from 0 to <math>(2^{32}-1)</math>.</p>

**PWM\_PWM2\_CTRL**

Address: Operational Base + offset (0x002C)

Bit	Attr	Reset Value	Description
31:24	RW	0x00	<p>rpt</p> <p>This field defines the repeated effective periods of output waveform in one-shot mode. The value N means N+1 repeated effective periods.</p>
23:16	RW	0x00	<p>scale</p> <p>This field defines the scale factor applied to prescaled clock. The value N means the clock is divided by <math>2^N</math>. If N is 0, it means that the clock is divided by <math>512(2^{256})</math>.</p>
15	RO	0x0	reserved
14:12	RW	0x0	<p>prescale</p> <p>This field defines the prescale factor applied to input clock. The value N means that the input clock is divided by <math>2^N</math>.</p>
11	RO	0x0	reserved
10	RW	0x0	<p>clk_src_sel</p> <p>1'b0: Select clk_pwm as root clock source. Clock is from PLL and the frequency can be configured.</p> <p>1'b1: Select clk_pwm_capture as root clock source. Clock is from crystal oscillator and the frequency is fixed.</p>
9	RW	0x0	<p>clk_sel</p> <p>1'b0: Non-scaled clock is selected as PWM clock source. It means that the prescaled clock is directly used as the PWM clock source.</p> <p>1'b1: Scaled clock is selected as PWM clock source.</p>
8	RW	0x0	<p>force_clk_en</p> <p>1'b0: Disabled. When PWM channel is inactive state, the clk_pwm to PWM clock prescale module is blocked to reduce power consumption.</p> <p>1'b1: Enabled. The clk_pwm to PWM Clock prescale module is always enabled.</p>



Bit	Attr	Reset Value	Description
7	RW	0x0	ch_cnt_en 1'b0: Disabled 1'b1: Enabled
6	RW	0x0	conlock PWM period and duty lock to previous configuration 1'b0: Disable lock 1'b1: Enable lock
5	RW	0x0	output_mode 1'b0: Left aligned mode 1'b1: Center aligned mode
4	RW	0x0	inactive_pol This defines the output waveform polarity when PWM channel is in inactive state. The inactive state means that PWM finishes the complete waveform in one-shot mode or PWM channel is disabled. 1'b0: Negative 1'b1: Positive
3	RW	0x0	duty_pol This defines the polarity for duty cycle. PWM starts the output waveform with duty cycle. 1'b0: Negative 1'b1: Positive
2:1	RW	0x0	pwm_mode 2'b00: One shot mode. PWM produces the waveform within the repeated times defined by PWM2_CTRL.rpt. 2'b01: Continuous mode. PWM produces the waveform continuously. 2'b10: Capture mode. PWM measures the cycles of high/low polarity of input waveform. 2'b11: Reserved
0	RW	0x0	pwm_en 1'b0: Disabled 1'b1: Enabled If the PWM is worked in the one-shot mode, this bit will be cleared at the end of operation.

**PWM\_PWM3\_CNT**

Address: Operational Base + offset (0x0030)

Bit	Attr	Reset Value	Description
31:0	RO	0x00000000	cnt The 32-bit indicates current value of PWM Channel 3 counter. The counter runs at the rate of PWM clock. The value ranges from 0 to (2^32-1).

**PWM\_PWM3\_PERIOD\_HPR**

Address: Operational Base + offset (0x0034)

Bit	Attr	Reset Value	Description
31:0	RW	0x00000000	period_hpr If PWM is operated at the continuous mode or one-shot mode, this value defines the period of the output waveform. Note that, if the PWM is operated at the center-aligned mode, the period should be an even one, and therefore only the bit [31:1] is taken into account and bit [0] always considered as 0. If PWM is operated at the capture mode, this value indicates the effective high polarity cycles of input waveform. This value is based on the PWM clock. The value ranges from 0 to $(2^{32}-1)$ .

**PWM\_PWM3\_DUTY\_LPR**

Address: Operational Base + offset (0x0038)

Bit	Attr	Reset Value	Description
31:0	RW	0x00000000	duty_lpr If PWM is operated at the continuous mode or one-shot mode, this value defines the duty cycle of the output waveform. The PWM starts the output waveform with duty cycle. Note that, if the PWM is operated at the center-aligned mode, the period should be an even one, and therefore only the [31:1] is taken into account. If PWM is operated at the capture mode, this value indicates the effective low polarity cycles of input waveform. This value is based on the PWM clock. The value ranges from 0 to $(2^{32}-1)$ .

**PWM\_PWM3\_CTRL**

Address: Operational Base + offset (0x003C)

Bit	Attr	Reset Value	Description
31:24	RW	0x00	rpt This field defines the repeated effective periods of output waveform in one-shot mode. The value N means N+1 repeated effective periods.
23:16	RW	0x00	scale This field defines the scale factor applied to prescaled clock. The value N means the clock is divided by $2^N$ . If N is 0, it means that the clock is divided by 512( $2*256$ ).
15	RO	0x0	reserved
14:12	RW	0x0	prescale This field defines the prescale factor applied to input clock. The value N means that the input clock is divided by $2^N$ .
11	RO	0x0	reserved

Bit	Attr	Reset Value	Description
10	RW	0x0	clk_src_sel 1'b0: Select clk_pwm as root clock source. Clock is from PLL and the frequency can be configured. 1'b1: Select clk_pwm_capture as root clock source. Clock is from crystal oscillator and the frequency is fixed.
9	RW	0x0	clk_sel 1'b0: Non-scaled clock is selected as PWM clock source. It means that the prescaled clock is directly used as the PWM clock source. 1'b1: Scaled clock is selected as PWM clock source.
8	RW	0x0	force_clk_en 1'b0: Disabled. When PWM channel is inactive state, the clk_pwm to PWM clock prescale module is blocked to reduce power consumption. 1'b1: Enabled. The clk_pwm to PWM Clock prescale module is always enabled.
7	RW	0x0	ch_cnt_en 1'b0: Disabled 1'b1: Enabled
6	RW	0x0	conlock PWM period and duty lock to previous configuration 1'b0: Disable lock 1'b1: Enable lock
5	RW	0x0	output_mode 1'b0: Left aligned mode 1'b1: Center aligned mode
4	RW	0x0	inactive_pol This defines the output waveform polarity when PWM channel is in inactive state. The inactive state means that PWM finishes the complete waveform in one-shot mode or PWM channel is disabled. 1'b0: Negative 1'b1: Positive
3	RW	0x0	duty_pol This defines the polarity for duty cycle. PWM starts the output waveform with duty cycle. 1'b0: Negative 1'b1: Positive
2:1	RW	0x0	pwm_mode 2'b00: One shot mode. PWM produces the waveform within the repeated times defined by PWM3_CTRL.rpt. 2'b01: Continuous mode. PWM produces the waveform continuously. 2'b10: Capture mode. PWM measures the cycles of high/low polarity of input waveform. 2'b11: Reserved

Bit	Attr	Reset Value	Description
0	RW	0x0	pwm_en 1'b0: Disabled 1'b1: Enabled If the PWM is worked in the one-shot mode, this bit will be cleared at the end of operation.

**PWM\_INTSTS**

Address: Operational Base + offset (0x0040)

Bit	Attr	Reset Value	Description
31:12	RO	0x00000	reserved
11	RO	0x0	CH3_Pol This bit is used in capture mode in order to identify the transition of the input waveform when interrupt is generated. When bit is 1, please refer to PWM3_PERIOD_HPR to know the effective high cycle of Channel 3 input waveform. Otherwise, please refer to PWM3_PERIOD_LPR to know the effective low cycle of Channel 3 input waveform. Write 1 to CH3_IntSts will clear this bit.
10	RO	0x0	CH2_Pol This bit is used in capture mode in order to identify the transition of the input waveform when interrupt is generated. When bit is 1, please refer to PWM2_PERIOD_HPR to know the effective high cycle of Channel 2 input waveform. Otherwise, please refer to PWM2_PERIOD_LPR to know the effective low cycle of Channel 2 input waveform. Write 1 to CH2_IntSts will clear this bit.
9	RO	0x0	CH1_Pol This bit is used in capture mode in order to identify the transition of the input waveform when interrupt is generated. When bit is 1, please refer to PWM1_PERIOD_HPR to know the effective high cycle of Channel 1 input waveform. Otherwise, please refer to PWM1_PERIOD_LPR to know the effective low cycle of Channel 1 input waveform. Write 1 to CH1_IntSts will clear this bit.
8	RO	0x0	CH0_Pol This bit is used in capture mode in order to identify the transition of the input waveform when interrupt is generated. When bit is 1, please refer to PWM0_PERIOD_HPR to know the effective high cycle of Channel 0 input waveform. Otherwise, please refer to PWM0_PERIOD_LPR to know the effective low cycle of Channel 0 input waveform. Write 1 to CH0_IntSts will clear this bit.
7	W1 C	0x0	CH3_pwr_IntSts 1'b0: Channel 3 power key Interrupt not generated 1'b1: Channel 3 power key Interrupt generated
6:4	RO	0x0	reserved
3	W1 C	0x0	CH3_IntSts 1'b0: Channel 3 Interrupt not generated 1'b1: Channel 3 Interrupt generated

Bit	Attr	Reset Value	Description
2	W1 C	0x0	CH2_IntSts 1'b0: Channel 2 Interrupt not generated 1'b1: Channel 2 Interrupt generated
1	W1 C	0x0	CH1_IntSts 1'b0: Channel 1 Interrupt not generated 1'b1: Channel 1 Interrupt generated
0	W1 C	0x0	CH0_IntSts 1'b0: Channel 0 Interrupt not generated 1'b1: Channel 0 Interrupt generated

**PWM\_INT\_EN**

Address: Operational Base + offset (0x0044)

Bit	Attr	Reset Value	Description
31:8	RO	0x000000	reserved
7	RW	0x0	CH3_pwr_Int_en 1'b0: Channel 3 power key Interrupt disabled 1'b1: Channel 3 power key Interrupt enabled
6:4	RO	0x0	reserved
3	RW	0x0	CH3_Int_en 1'b0: Channel 3 Interrupt disabled 1'b1: Channel 3 Interrupt enabled
2	RW	0x0	CH2_Int_en 1'b0: Channel 2 Interrupt disabled 1'b1: Channel 2 Interrupt enabled
1	RW	0x0	CH1_Int_en 1'b0: Channel 1 Interrupt disabled 1'b1: Channel 1 Interrupt enabled
0	RW	0x0	CH0_Int_en 1'b0: Channel 0 Interrupt disabled 1'b1: Channel 0 Interrupt enabled

**PWM\_FIFO\_CTRL**

Address: Operational Base + offset (0x0050)

Bit	Attr	Reset Value	Description
31:14	RO	0x00000	reserved
13:12	RW	0x0	dma_ch_sel 2'b00: Select PWM0 2'b01: Select PWM1 2'b10: Select PWM2 2'b11: Select PWM3
11	RO	0x0	reserved

Bit	Attr	Reset Value	Description
10	RW	0x0	dma_ch_sel_en 1'b0: Disabled. Select the channel PWM3 to FIFO mode and DMA mode. 1'b1: Enabled. Use dma_ch_sel to select the channel to FIFO mode and DMA mode.
9	RW	0x0	timeout_en FIFO timeout enable.
8	RW	0x0	dma_mode_en 1'b1: Enabled 1'b0: Disabled
7	RO	0x0	reserved
6:4	RW	0x0	almost_full_watermark Almost full Watermark level.
3	RW	0x0	watermark_int_en Watermark full interrupt.
2	RW	0x0	overflow_int_en When high, an interrupt asserts when the FIFO overflow.
1	RW	0x0	full_int_en When high, an interrupt asserts when the FIFO is full.
0	RW	0x0	fifo_mode_sel When high, PWM FIFO mode is activated.

### **PWM FIFO INTSTS**

Address: Operational Base + offset (0x0054)

Bit	Attr	Reset Value	Description
31:5	RO	0x0000000	reserved
4	RO	0x1	fifo_empty_status This bit indicates the FIFO is empty.
3	W1 C	0x0	timeout_intsts Timeout interrupt.
2	W1 C	0x0	fifo_watermark_full_intsts This bit indicates the FIFO is Watermark full.
1	W1 C	0x0	fifo_overflow_intsts This bit indicates the FIFO is overflow.
0	W1 C	0x0	fifo_full_intsts This bit indicates the FIFO is full.

### **PWM FIFO TOUTTHR**

Address: Operational Base + offset (0x0058)

Bit	Attr	Reset Value	Description
31:20	RO	0x000	reserved
19:0	RW	0x00000	timeout_threshold FIFO timeout value (Unit: pwm clock).

### **PWM VERSION ID**

Address: Operational Base + offset (0x005C)

Bit	Attr	Reset Value	Description
31:24	RW	0x02	main_version Main version 8'h0: Base version 8'h1: Support DMA mode 8'h2: Support DMA mode and Power key mode
23:16	RW	0x13	minor_version Minor version
15:0	RW	0x11B6	svn_version SVN version

**PWM\_FIFO**

Address: Operational Base + offset (0x0060)

Bit	Attr	Reset Value	Description
31	RO	0x0	pol This bit indicates the polarity of the lower 31-bit counter. 1'b0: Low 1'b1: High
30:0	RO	0x00000000	cycle_cnt This 31-bit counter indicates the effective cycles of high/low waveform.

**PWM\_PWRMATCH\_CTRL**

Address: Operational Base + offset (0x0080)

Bit	Attr	Reset Value	Description
31:16	RO	0x0000	reserved
15	RW	0x0	CH3_pwrkey_int_ctrl 1'b0: Assert interrupt after key capture with power key match 1'b1: Assert interrupt after key capture without power key match
14:12	RO	0x0	reserved
11	RW	0x0	CH3_pwrkey_capture_ctrl 1'b0: Capture the value after interrupt 1'b1: Capture the value directly
10:8	RO	0x0	reserved
7	RW	0x0	CH3_pwrkey_polarity 1'b0: PWM in polarity is positive 1'b1: PWM in polarity is negative
6:4	RO	0x0	reserved
3	RW	0x0	CH3_pwrkey_enable 1'b0: Disabled 1'b1: Enabled
2:0	RO	0x0	reserved

**PWM\_PWRMATCH\_LPRE**

Address: Operational Base + offset (0x0084)

Bit	Attr	Reset Value	Description
31:16	RW	0x238c	cnt_max The maximum counter value.
15:0	RW	0x22c4	cnt_min The minimum counter value.

**PWM\_PWRMATCH\_HPRE**

Address: Operational Base + offset (0x0088)

Bit	Attr	Reset Value	Description
31:16	RW	0x11f8	cnt_max The maximum counter value.
15:0	RW	0x1130	cnt_min The minimum counter value.

**PWM\_PWRMATCH\_LD**

Address: Operational Base + offset (0x008C)

Bit	Attr	Reset Value	Description
31:16	RW	0x0294	cnt_max The maximum counter value.
15:0	RW	0x01cc	cnt_min The minimum counter value.

**PWM\_PWRMATCH\_HD\_ZERO**

Address: Operational Base + offset (0x0090)

Bit	Attr	Reset Value	Description
31:16	RW	0x0294	cnt_max The maximum counter value.
15:0	RW	0x01cc	cnt_min The minimum counter value.

**PWM\_PWRMATCH\_HD\_ONE**

Address: Operational Base + offset (0x0094)

Bit	Attr	Reset Value	Description
31:16	RW	0x06fe	cnt_max The maximum counter value.
15:0	RW	0x0636	cnt_min The minimum counter value.

**PWM\_PWRMATCH\_VALUE0**

Address: Operational Base + offset (0x0098)

Bit	Attr	Reset Value	Description
31:0	RW	0x00000000	pwrkey_match_value Power key match value 0.

**PWM\_PWRMATCH\_VALUE1**

Address: Operational Base + offset (0x009C)



Bit	Attr	Reset Value	Description
31:0	RW	0x00000000	pwrkey_match_value Power key match value 1.

**PWM\_PWRMATCH\_VALUE2**

Address: Operational Base + offset (0x00A0)

Bit	Attr	Reset Value	Description
31:0	RW	0x00000000	pwrkey_match_value Power key match value 2.

**PWM\_PWRMATCH\_VALUE3**

Address: Operational Base + offset (0x00A4)

Bit	Attr	Reset Value	Description
31:0	RW	0x00000000	pwrkey_match_value Power key match value 3.

**PWM\_PWRMATCH\_VALUE4**

Address: Operational Base + offset (0x00A8)

Bit	Attr	Reset Value	Description
31:0	RW	0x00000000	pwrkey_match_value Power key match value 4.

**PWM\_PWRMATCH\_VALUE5**

Address: Operational Base + offset (0x00AC)

Bit	Attr	Reset Value	Description
31:0	RW	0x00000000	pwrkey_match_value Power key match value 5.

**PWM\_PWRMATCH\_VALUE6**

Address: Operational Base + offset (0x00B0)

Bit	Attr	Reset Value	Description
31:0	RW	0x00000000	pwrkey_match_value Power key match value 6.

**PWM\_PWRMATCH\_VALUE7**

Address: Operational Base + offset (0x00B4)

Bit	Attr	Reset Value	Description
31:0	RW	0x00000000	pwrkey_match_value Power key match value 7.

**PWM\_PWRMATCH\_VALUE8**

Address: Operational Base + offset (0x00B8)

Bit	Attr	Reset Value	Description
31:0	RW	0x00000000	pwrkey_match_value Power key match value 8.

**PWM PWRMATCH VALUE9**

Address: Operational Base + offset (0x00BC)

Bit	Attr	Reset Value	Description
31:0	RW	0x00000000	pwrkey_match_value Power key match value 9.

**PWM PWM3 PWRCAPTURE VALUE**

Address: Operational Base + offset (0x00CC)

Bit	Attr	Reset Value	Description
31:0	RO	0x00000000	pwrkey_capture_value Power key capture value.

**PWM CHANNEL IO CTRL**

Address: Operational Base + offset (0x00D0)

Bit	Attr	Reset Value	Description
31:19	RO	0x0000	reserved
18	RW	0x0	CH2_and_CH3_switch_en 1'b0: Disabled 1'b1: Enabled
17	RW	0x0	CH1_and_CH3_switch_en 1'b0: Disabled 1'b1: Enabled
16	RW	0x0	CH0_and_CH3_switch_en 1'b0: Disabled 1'b1: Enabled
15:13	RO	0x0	reserved
12:4	RW	0x000	filter_number Filter window number
3	RW	0x0	CH3_input_filter_enable 1'b0: Disabled 1'b1: Enabled
2	RW	0x0	CH2_input_filter_enable 1'b0: Disabled 1'b1: Enabled
1	RW	0x0	CH1_input_filter_enable 1'b0: Disabled 1'b1: Enabled
0	RW	0x0	CH0_input_filter_enable 1'b0: Disabled 1'b1: Enabled

## 18.5 Interface Description

Table 18-1 PWM Interface Description

Module Pin	Direction	Pad Name	IOMUX Setting
PWM0CH0	I/O	I2S1_LRCK_M1/PWM0_M0/I2C2_SCL_M0/CAN0_TX_M0/SPI0_CS1_M0/PCIE30X1_1_PERSTN_M0/GPIO0_B7_d	PMU2_IOC_GPIO0B_IOMUX_SEL_H[15:12]=4'h3
		I2S0_SDO3/I2S0_SDI2/PDM0_SDI2_M0/I2C1_SCL_M4/UART4_TX_M0/PWM0_M1/SPI1_CLK_M2/GPIO1_D2_d	BUS_BUS_IOC_GPIO1D_IOMUX_SEL_L[11:8]=4'hb
		VOP_POST_EMPTY/I2C4_SDA_M3/UART6_RTSN_M1/PWM0_M2/SPI4_CLK_M2/GPIO1_A2_d	BUS_IOC_GPIO1A_IOMUX_SEL_L[11:8]=4'hb
PWM0CH1	I/O	PDM0_CLK0_M1/PWM1_M0/I2C2_SDA_M0/CAN0_RX_M0/SPI0_MOSI_M0/PCIE30X1_0_CLKREQN_M0/GPIO0_C0_d	PMU2_IOC_GPIO0C_IOMUX_SEL_L[3:0]=4'h3
		I2S0_SDI1/PDM0_SDI3_M0/I2C1_SDA_M4/UART4_RX_M0/PWM1_M1/SPI1_CS0_M2/GPIO1_D3_d	BUS_IOC_GPIO1D_IOMUX_SEL_L[15:12]=4'hb
		HDMI_TX1_SDA_M2/I2C4_SCL_M3/UART6_CTSN_M1/PWM1_M2/SPI4_CS0_M2/GPIO1_A3_d	BUS_IOC_GPIO1A_IOMUX_SEL_L[15:12]=4'hb
PWM0CH2	I/O	PDM0_CLK1_M1/PWM2_M0/UART0_RX_M0/I2C4_SDA_M2/DP0_HPDIN_M1/PCIE30X1_0_WAKEN_M0/GPIO0_C4_d	PMU2_IOC_GPIO0C_IOMUX_SEL_H[3:0]=4'h3
		GMAC1_RXDV_CRS/MIPI_CAMERA4_CLK_M1/UART2_TX_M2/PWM2_M1/GPIO3_B1_d	BUS_IOC_GPIO3B_IOMUX_SEL_L[7:4]=4'hb
		GMAC0_MDC/I2C7_SDA_M1/UART9_RTSN_M0/PWM5_M2/SPI3_MISO_M0/GPIO4_C4_d	BUS_IOC_GPIO4C_IOMUX_SEL_L[11:8]=4'hb
PWM0CH3	I/O	I2S1_SDO2_M1/PDM0_SDI2_M1/PWM3_IR_M0/I2C1_SCL_M2/CAN2_RX_M1/HDMI_TX0_SDA_M1/SPI3_CS0_M2/PCIE30X2_PERSTN_M0/SATA_CPDET/GPIO0_D4_u	PMU2_IOC_GPIO0D_IOMUX_SEL_H[3:0]=4'h3
		GMAC1_RXDV_CRS/MIPI_CAMERA4_CLK_M1/UART2_TX_M2/PWM2_M1/GPIO3_B1_d	BUS_IOC_GPIO3B_IOMUX_SEL_L[11:8]=4'hb
		I2S0_MCLK/I2C6_SDA_M1/UART3_RTSN/PWM3_IR_M2/SPI4_CLK_M0/GPIO1_C2_d	BUS_IOC_GPIO1C_IOMUX_SEL_L[11:8]=4'hb
		PDM1_SDI0_M1/PCIE30X1_1_PERSTN_M2/PWM3_IR_M3/SPI2_CS0_M0/GPIO1_A7_u	BUS_IOC_GPIO1A_IOMUX_SEL_H=[15:12]=4'hb

**RK3588 TRM-Part1**

Module Pin	Direction	Pad Name	IOMUX Setting
PWM1CH0	I/O	I2S1_SDI0_M1/GPU_AVS/UART0_TX_M0/I2C4_SCL_M2/DP1_HPDI0_M1/PWM4_M0/PCIE30X1_0_PERSTN_M0/GPIO0_C5_u	BUS_BUS_IOC_GPIO0C_IOMUX_SEL_H[7:4]=4'hb
		GMAC0_MCLKINOUT/I2S2_SDO_M0/I2C7_SCL_M1/PWM4_M1/SPI3_CS1_M0/GPIO4_C3_d	BUS_IOC_GPIO4C_IOMUX_SEL_L[15:12]=4'hb
PWM1CH1	I/O	SPI2_CS0_M2/I2C1_SDA_M1/PWM5_M0/UART0_TX_M1/GPIO0_B1_z	PMU1_IOC_GPIO0B_IOMUX_SEL_L[7:4]=4'h3
		I2S1_SDI1_M1/NPU_AVS/UART0_RTSM/PWM5_M1/SPI0_CLK_M0/PCIE30X4_CLKREQN_M0/SATA_CP_POD/GPIO0_C6_u	BUS_BUS_IOC_GPIO0C_IOMUX_SEL_H[11:8]=4'hb
		GMAC0_MDC/I2C7_SDA_M1/UART9_RTSM_M0/PWM5_M2/SPI3_MISO_M0/GPIO4_C4_d	BUS_IOC_GPIO4C_IOMUX_SEL_H[3:0]=4'hb
PWM1CH2	I/O	I2S1_SDI2_M1/PDM0_SDI0_M1/I2C6_SDA_M0/UART1_RTSM_M2/PWM6_M0/SPI0_MISO_M0/PCIE30X4_WAKEN_M0/GPIO0_C7_d	BUS_BUS_IOC_GPIO0C_IOMUX_SEL_H[15:12]=4'hb
		BT1120_D15/SPDIF1_TX_M2/PCIE20X1_2_PERSTN_M1/HDMI_TX0_CEC_M0/I2C8_SDA_M3/PWM6_M1/SPI3_CS1_M1/GPIO4_C1_d	BUS_IOC_GPIO4C_IOMUX_SEL_L[7:4]=4'hb
		GMAC0_MDIO/I2C0_SCL_M1/UART9_CTSN_M0/PWM6_M2/SPI3_MOSI_M0/GPIO4_C5_d	BUS_IOC_GPIO4C_IOMUX_SEL_H[7:4]=4'hb
PWM1CH3	I/O	I2S1_SDI3_M1/PDM0_SDI1_M1/I2C6_SCL_M0/UART1_CTSN_M2/PWM7_IR_M0/SPI3_MISO_M2/PCIE30X4_PERSTN_M0/GPIO0_D0_d	BUS_BUS_IOC_GPIO0D_IOMUX_SEL_L[3:0]=4'hb
		SDMMC_CMD/PDM1_CLK1_M0/MCU_JTAG_TCK_M0/CAN0_TX_M1/UART5_RX_M0/PWM7_IR_M1/GPIO4_D4_u	BUS_IOC_GPIO4D_IOMUX_SEL_H[3:0]=4'hb
		I2S0_SCLK/I2C6_SCL_M1/UART3_CTSN/PWM7_IR_M2/SPI4_CS0_M0/GPIO1_C3_d	BUS_IOC_GPIO1C_IOMUX_SEL_L[15:12]=4'hb
		GMAC0_TXER/I2C0_SDA_M1/UART7_CTSN_M0/PWM7_IR_M3/SPI3_CLK_M0/GPIO4_C6_d	BUS_IOC_GPIO4C_IOMUX_SEL_H[11:8]=4'hb
PWM2CH0	I/O	GMAC1_RXD0/MIPI_CAMERA2_CLK_M1/PWM8_M0/GPIO3_A7_u	BUS_IOC_GPIO3A_IOMUX_SEL_H[15:12]=4'hb
		SDMMC_D0/PDM1_SDI3_M0/JTAG_TCK_M1/I2C3_SCL_M4/UART2_TX_M1/PWM8_M1/GPIO4_D0_u	BUS_IOC_GPIO3D_IOMUX_SEL_L[3:0]=4'hb

Module Pin	Direction	Pad Name	IOMUX Setting
		CIF_D12/PCIE20X1_2_WAKEN_M0/HDMI_TX0_SDA_M2/I2C5_SDA_M0/UART4_RX_M1/PWM8_M2/SPI3_CLK_M3/GPIO3_D0_u	BUS_IOC_GPIO3D_IOMUX_SEL_L[3:0]=4'hb
PWM2CH1	I/O	GMAC1_RXD1/MIPI_CAMERA3_CLK_M1/PWM9_M0/GPIO3_B0_u	BUS_IOC_GPIO3B_IOMUX_SEL_L[3:0]=4'hb
		SDMMC_D1/PDM1_SDI2_M0/JTAG_TMS_M1/I2C3_SDA_M4/UART2_RX_M1/PWM9_M1/GPIO4_D1_u	BUS_IOC_GPIO4D_IOMUX_SEL_L[7:4]=4'hb
		CIF_D13/PCIE20X1_2_PERSTN_M0/HDMI_RX_CEC_M1/UART4_TX_M1/PWM9_M2/SPI0_MISO_M3/GPIO3_D1_d	BUS_IOC_GPIO3D_IOMUX_SEL_L[7:4]=4'hb
PWM2CH2	I/O	GMAC1_TXD2/SDIO_D0_M1/I2S3_MCLK/FSPI_D0_M2/I2C6_SDA_M4/PWM10_M0/SPI4_MISO_M1/GPIO3_A0_u	BUS_IOC_GPIO3A_IOMUX_SEL_L[3:0]=4'hb
		SDMMC_D3/PDM1_SDI0_M0/JTAG_TMS_M0/I2C8_SDA_M0/UART5_RTSN_M0/PWM10_M1/GPIO4_D3_u	BUS_IOC_GPIO4D_IOMUX_SEL_L[15:12]=4'hb
		CIF_D15/PCIE30X2_WAKEN_M2/HDMI_RX_SDA_M1/I2C7_SDA_M2/UART9_CTSN_M2/PWM10_M2/SPI0_CLK_M3/GPIO3_D3_d	BUS_IOC_GPIO3D_IOMUX_SEL_L[15:12]=4'hb
PWM2CH3	I/O	GMAC1_TXD3/SDIO_D1_M1/I2S3_SCLK/AUDDSM_LN/FSPI_D1_M2/I2C6_SCL_M4/PWM11_IR_M0/SPI4_MOSI_M1/GPIO3_A1_u	BUS_IOC_GPIO3A_IOMUX_SEL_L[7:4]=4'hb
		CIF_CLKOUT/BT1120_D10/I2S1_SDO3_M0/PCIE30X4_CLKREQN_M1/DP0_HPDIN_M0/SPDIF0_TX_M1/UART9_TX_M1/PWM11_IR_M1/GPIO4_B4_u	BUS_IOC_GPIO4B_IOMUX_SEL_H[3:0]=4'hb
		PDM0_CLK1_M0/I2C2_SDA_M3/PWM11_IR_M2/SPI4_CS1_M0/GPIO1_C4_d	BUS_IOC_GPIO1C_IOMUX_SEL_H[3:0]=4'hb
		PCIE30X4_BUTTON_RSTN/DP1_HPDIN_M0/MCU_JTAG_TMS_M1/UART9_TX_M2/PWM11_IR_M3/SPI0_CS1_M3/GPIO3_D5_d	BUS_IOC_GPIO3D_IOMUX_SEL_H[7:4]=4'hb
PWM3CH0	I/O	GMAC1_TXEN/I2S2_SCLK_M1/CAN1_RX_M0/UART3_TX_M1/PWM12_M0/GPIO3_B5_u	BUS_IOC_GPIO3B_IOMUX_SEL_H[7:4]=4'hb
		BT1120_D11/PCIE30X4_WAKEN_M1/HDMI_RX_CEC_M0/SATA1_ACT_LED_M0/UART9_RX_M1/PWM12_M1/SPI3_MISO_M1/GPIO4_B5_d	BUS_IOC_GPIO4B_IOMUX_SEL_H[7:4]=4'hb

Module Pin	Direction	Pad Name	IOMUX Setting
PWM3CH1	I/O	GMAC1_MCLKINOUT/II2S2_LRCK_M1/CAN1_TX_M0/UART3_RX_M1/PWM13_M0/GPIO3_B6_d	BUS_IOC_GPIO3B_IOMUX_SEL_H[11:8]=4'hb
		BT1120_D12/PCIE30X4_PERSTN_M1/HD MI_RX_HPDOOUT_M0/SATA0_ACT_LED_M0/I2C5_SCL_M1/PWM13_M1/SPI3_MOSI_M1/GPIO4_B6_d	BUS_IOC_GPIO4B_IOMUX_SEL_H[11:8]=4'hb
		GMAC0_TXD1/I2S2_SCLK_M0/I2C5_SDA_M4/UART1_TX_M0/GPIO2_B7_d	BUS_IOC_GPIO1B_IOMUX_SEL_H[15:12]=4'hb
PWM3CH2	I/O	GMAC1_MDC/MIPI_TE0/I2C8_SCL_M4/UART7_RTSN_M1/PWM14_M0/SPI1_CS0_M1/GPIO3_C2_d	BUS_IOC_GPIO3C_IOMUX_SEL_L[11:8]=4'hb
		CIF_HREF/BT1120_D8/I2S1_SDO1_M0/PCIE30X1_1_BUTTON_RSTN/I2C7_SCL_M3/UART8_RTSN_M0/PWM14_M1/SPI0_CS0_M1/CAN1_RX_M1/GPIO4_B2_u	BUS_IOC_GPIO4B_IOMUX_SEL_L[11:8]=4'hb
		MIPI_CAMERA3_CLK_M0/HDMI_RX_SCL_M2/I2C8_SCL_M2/UART1_RTSN_M1/PWM14_M2/GPIO1_D6_u	BUS_IOC_GPIO1D_IOMUX_SEL_H[11:8]=4'hb
PWM3CH3	I/O	GMAC1_MDIO/MIPI_TE1/I2C8_SDA_M4/UART7_CTSN_M1/PWM15_IR_M0/SPI1_CS1_M1/GPIO3_C3_d	BUS_IOC_GPIO3C_IOMUX_SEL_L[15:12]=4'hb
		CIF_VSYNC/BT1120_D9/I2S1_SDO2_M0/PCIE20X1_2_BUTTON_RSTN/I2C7_SDA_M3/UART8_CTSN_M0/PWM15_IR_M1/CAN1_TX_M1/GPIO4_B3_u	BUS_IOC_GPIO4B_IOMUX_SEL_L[15:12]=4'hb
		PDM0_CLK0_M0/I2C4_SDA_M4/PWM15_IR_M2/GPIO1_C6_d	BUS_IOC_GPIO1C_IOMUX_SEL_H[11:8]=4'hb
		MIPI_CAMERA4_CLK_M0/PCIE30X2_CLK_REQN_M3/HDMI_RX_SDA_M2/I2C8_SDA_M2/UART1_CTSN_M1/PWM15_IR_M3/GPIO1_D7_u	BUS_IOC_GPIO1D_IOMUX_SEL_H[15:12]=4'hb

Notes: Unused Module Pin is tied to zero! I=input, O=output, I/O=input/output, bidirectional

## 18.6 Application Notes

### 18.6.1 PWM Capture Mode Standard Usage Flow

1. Set PWM\_PWMx\_CTRL.pwm\_en to '0' to disable the PWM channel.
2. Choose the prescale factor and the scale factor for clk\_pwm by programming PWM\_PWMx\_CTRL.prescale and PWM\_PWMx\_CTRL.scale, and select the clock needed by setting PWM\_PWMx\_CTRL.clk\_sel and PWM\_PWMx\_CTRL.clk\_src\_sel.
3. Configure the channel to work in the capture mode.
4. Enable the PWM\_INT\_EN.chx\_int\_en to enable the interrupt generation.
5. Set PWM\_CHANNEL\_IO\_CTRL.filter\_number, then Enable the PWM\_CHANNEL\_IO\_CTRL.Chx\_input\_filter\_enable(Optional).
6. Enable the channel by writing '1' to PWM\_PWMx\_CTRL.pwm\_en bit to start the channel.
7. When an interrupt is asserted, refer to INTSTS register to know the raw interrupt status. If the corresponding polarity flag is set, turn to PWM\_PWMx\_PERIOD\_HPC register to know

the effective high cycles of input waveforms, otherwise turn to PWM\_PWMx\_DUTY\_LPC register to know the effective low cycles.

8. Write '0' to PWM\_PWMx\_CTRL.pwm\_en to disable the channel.

### **18.6.2 PWM Capture DMA Mode Standard Usage Flow**

1. Set PWM\_PWMx\_CTRL.pwm\_en to '0' to disable the PWM channel.
2. Choose the prescale factor and the scale factor for clk\_pwm by programming PWM\_PWMx\_CTRL.prescale and PWM\_PWMx\_CTRL.scale, and select the clock needed by setting PWM\_PWMx\_CTRL.clk\_sel and PWM\_PWMx\_CTRL.clk\_src\_sel.
3. Configure the channel 3 to work in the capture mode.
4. Configure the PWM\_FIFO\_CTRL.dma\_mode\_en and PWM\_FIFO\_CTRL.fifo\_mode\_sel to enable the DMA mode. Configure PWM\_FIFO\_CTRL.almost\_full\_watermark at appropriate value.
5. Configure DMAC\_BUS to transfer data from PWM to DDR.
6. Set PWM\_CHANNEL\_IO\_CTRL.filter\_number, then Enable the PWM\_CHANNEL\_IO\_CTRL.CHx\_input\_filter\_enable(Optional).
7. Enable the channel by writing '1' to PWM\_PWMx\_CTRL.pwm\_en bit to start the channel.
8. When a dma\_req is asserted, DMAC\_BUS transfer the data of effective high cycles and low cycles of input waveforms to DDR.
9. Write '0' to PWM\_PWMx\_CTRL.pwm\_en to disable the channel.

### **18.6.3 PWM Power key Capture Mode Standard Usage Flow**

1. Set PWM\_PWM3\_CTRL.pwm\_en to '0' to disable the PWM channel.
2. Choose the prescale factor and the scale factor for clk\_pwm by programming PWM\_PWM3\_CTRL.prescale and PWM\_PWM3\_CTRL.scale, and select the clock needed by setting PWM\_PWM3\_CTRL.clk\_sel. The clock should be 1 MHz after division.
3. Configure the channel to work in the capture mode.
4. Enable the PWM\_INT\_EN.CH3\_int\_pwr to enable the interrupt generation.
5. Set the PWM\_PWRMATCH\_VALUE0~9 registers for the 10 power key match value.
6. Set max\_cnt and min\_cnt of follow register: PWM\_PWRMATCH\_LPRE, PWM\_PWRMATCH\_HPRE, PWM\_PWRMATCH\_LD, PWM\_PWRMATCH\_HD\_ZERO, PWM\_PWRMATCH\_HD\_ONE. It doesn't need to set these registers when the default value can meet the requirement.
7. Set PWM\_PWRMATCH\_CTRL.CH3\_pwrkey\_polarity for the polarity of power key signal, the default value is 0. Enable the PWM\_PWRMATCH\_CTRL.CH3\_pwrkey\_enable.
8. Set PWM\_CHANNEL\_IO\_CTRL.filter\_number, then Enable the PWM\_CHANNEL\_IO\_CTRL.CH3\_input\_filter\_enable(Optional).
9. Enable the channel by writing '1' to PWM\_PWM3\_CTRL.pwm\_en bit to start the channel.
10. Poll INTSTS.CH3\_pwr\_IntSts ==1, and refer to PWM\_PWM3\_PWRCAPTURE\_VALUE to know the power key capture value.
11. Write '0' to PWM\_PWM3\_CTRL.pwm\_en to disable the channel.

### **18.6.4 PWM One-shot Mode/Continuous Standard Usage Flow**

1. Set PWM\_PWMx\_CTRL.pwm\_en to '0' to disable the PWM channel.
2. Choose the prescale factor and the scale factor for pclk by programming PWM\_PWMx\_CTRL.prescale and PWM\_PWMx\_CTRL.scale, and select the clock needed by setting PWM\_PWMx\_CTRL.clk\_sel.
3. Choose the output mode by setting PWM\_PWMx\_CTRL.output\_mode, and set the duty polarity and inactive polarity by programming PWM\_PWMx\_CTRL.duty\_pol and PWM\_PWMx\_CTRL.inactive\_pol.
4. Set the PWM\_PWMx\_CTRL.rpt if the channel is desired to work in the one-shot mode.
5. Configure the channel to work in the one-shot mode or the continuous mode.
6. Enable the PWM\_INT\_EN.chx\_int\_en to enable the interrupt generation if the channel is desired to work in the one-shot mode.
7. If the channel is working in the one-shot mode, an interrupt is asserted after the end of operation, and the PWM\_PWMx\_CTRL.pwm\_en is automatically cleared. Whatever mode the channel is working in, write '0' to PWM\_PWMx\_CTRL.pwm\_en bit to disable the PWM channel.

### **18.6.5 Low-power Usage Flow**

The default value of PWM\_PWMx\_CTRL.force\_clk\_en is '0' which make the channel enter the low-power mode. In low-power mode, When the PWM channel is inactive, the clk\_pwm to the clock prescale module is gated in order to reduce the power consumption. User can set PWM\_PWMx\_CTRL.force\_clk\_en to '1' which will make the channel quit the low-power mode. After the setting, the clk\_pwm to the clock prescale module is always enable.

### **18.6.6 Other notes**

When the channel is active to produce waveforms, it is free to program the PWM\_PWMx\_PERIOD\_HPC and PWM\_PWMx\_DUTY\_LPC register. User can use PWM\_PWMx\_CTRL.conlock to take period and duty effect at the same time. The usage flow is as follow:

1. Set PWM\_PWMx\_CTRL.conlock to '1'.
2. Set PWM\_PWMx\_PERIOD\_HPC and PWM\_PWMx\_DUTY\_LPC.
3. Set PWM\_PWMx\_CTRL.conlock to '0', others bits in PWM\_PWMx\_CTRL should be appropriate.

After above configuration, the change will not take effect immediately until the current period ends.

An active channel can be changed to another operation mode without disable the PWM channel. However, during the transition of the operation mode there may be some irregular output waveforms. So does changing the clock division factor when the channel is active.



## Chapter 19 UART

### 19.1 Overview

The Universal Asynchronous Receiver/Transmitter (UART) is used for serial communication with a peripheral, modem (data carrier equipment, DCE) or data set. Data is written from a master (CPU) over the APB bus to the UART and it is converted to serial form and transmitted to the destination device. Serial data is also received by the UART and stored for the master (CPU) to read back.

UART Controller supports the following features:

- Support 10 independent UART controller: UART0-UART9
- All contain two 64 Bytes FIFOs for data receive and transmit
- All support auto flow-control
- Support bit rates 115.2Kbps, 460.8Kbps, 921.6Kbps, 1.5Mbps, 3Mbps, 4Mbps
- Support programmable baud rates, even with non-integer clock divider
- Standard asynchronous communication bits (start, stop and parity)
- Support interrupt-based or DMA-based mode
- Support 5-8 bits width transfer

### 19.2 Block Diagram

This section provides a description about the functions and behavior under various conditions. The UART Controller comprises with:

- AMBA APB interface
- FIFO controllers
- Register block
- Modem synchronization block and baud clock generation block
- Serial receiver and serial transmitter

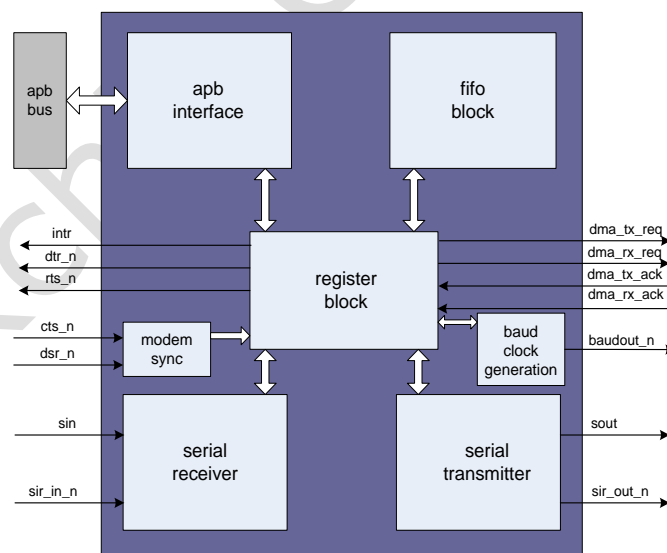


Fig. 19-1 UART Architecture

#### APB INTERFACE

The host processor accesses data, control, and status information on the UART through the APB interface. The UART supports APB data bus widths of 8, 16, and 32 bits.

#### Register block

Be responsible for the main UART functionality including control, status and interrupt generation.

**Modem Synchronization block**

Synchronizes the modem input signal.

**FIFO block**

Be responsible for FIFO control and storage (when using internal RAM) or signaling to control external RAM (when used).

**Baud Clock Generator**

Generates the transmitter and receiver baud clock along with the output reference clock signal (baudout\_n).

**Serial Transmitter**

Converts the parallel data, written to the UART, into serial form and adds all additional bits, as specified by the control register, for transmission.

**Serial Receiver**

Converts the serial data character (as specified by the control register) received to parallel form. Parity error detection, framing error detection and line break detection is carried out in this block.

**19.3 Function Description**

**UART (RS232) Serial Protocol**

Because the serial communication is asynchronous, additional bits (start and stop) are added to the serial data to indicate the beginning and end. An additional parity bit may be added to the serial character. This bit appears after the last data bit and before the stop bit(s) in the character structure to perform simple error checking on the received data, as shown in Figure.

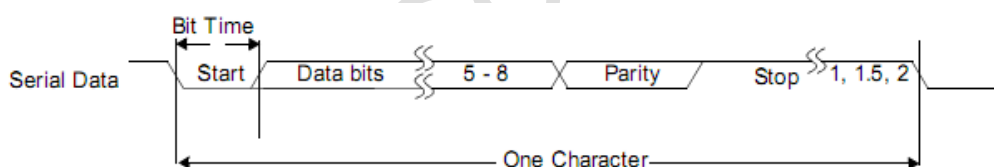


Fig. 19-2 UART Serial protocol

**Baud Clock**

The baud rate is controlled by the serial clock (sclk or pclk in a single clock implementation) and the Divisor Latch Register (DLH and DLL). As the exact number of baud clocks that each bit was transmitted for is known, calculating the mid-point for sampling is not difficult, that is every 16 baud clocks after the mid-point sample of the start bit.

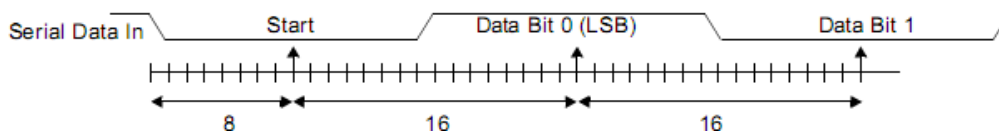


Fig. 19-3 UART baud rate

**FIFO Support**

**1. NONE FIFO MODE**

If FIFO support is not selected, then no FIFOs are implemented and only a single receive data byte and transmit data byte can be stored at a time in the RBR and THR.

**2. FIFO MODE**

The FIFO depth of is 64bytes. The FIFO mode of all the UART is enabled by register FCR[0].

**Interrupts**

The following interrupt types can be enabled with the IER register.

- Receiver Error
- Receiver Data Available
- Character Timeout (in FIFO mode only)
- Transmitter Holding Register Empty at/below threshold (in Programmable THRE Interrupt mode)
- Modem Status

**DMA Support**

The UART supports DMA signaling with the use of two output signals (dma\_tx\_req\_n and dma\_rx\_req\_n) to indicate when data is ready to be read or when the transmit FIFO is empty.

The dma\_tx\_req\_n signal is asserted under the following conditions:

- When the Transmitter Holding Register is empty in non-FIFO mode.
- When the transmitter FIFO is empty in FIFO mode with Programmable THRE interrupt mode disabled.
- When the transmitter FIFO is at, or below the programmed threshold with Programmable THRE interrupt mode enabled.

The dma\_rx\_req\_n signal is asserted under the following conditions:

- When there is a single character available in the Receive Buffer Register in non-FIFO mode.
- When the Receiver FIFO is at or above the programmed trigger level in FIFO mode.

**Auto Flow Control**

The UART can be configured to have a 16750-compatible Auto RTS and Auto CTS serial data flow control mode available. If FIFOs are not implemented, then this mode cannot be selected. When Auto Flow Control mode has been selected, it can be enabled with the Modem Control Register (MCR[5]). Following figure shows a block diagram of the Auto Flow Control functionality.

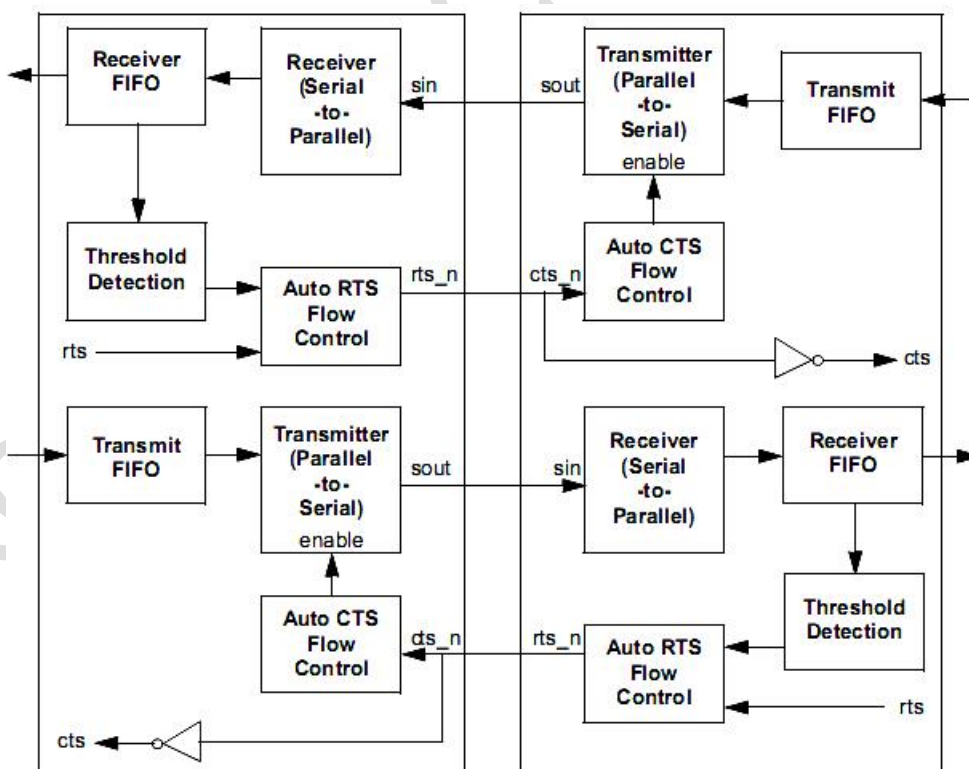


Fig. 19-4 UART Auto flow control block diagram

Auto RTS – Becomes active when the following occurs:

- Auto Flow Control is selected during configuration

- FIFOs are implemented
- RTS (MCR[1] bit and MCR[5]bit are both set)
- FIFOs are enabled (FCR[0]) bit is set)
- SIR mode is disabled (MCR[6] bit is not set)

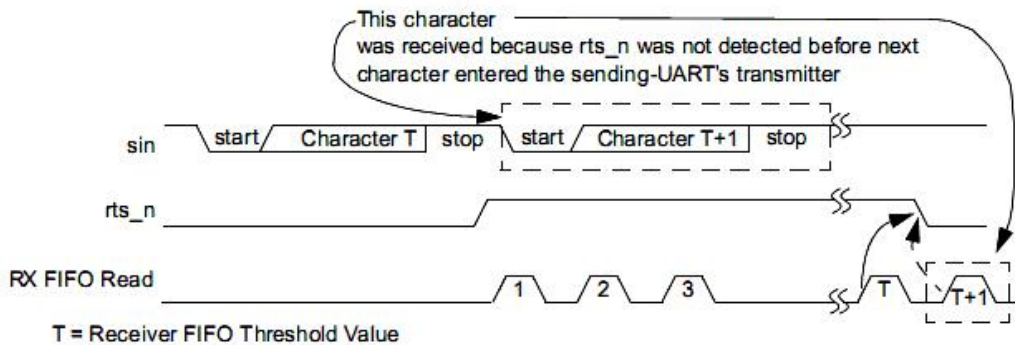


Fig. 19-5 UART AUTO RTS TIMING

Auto CTS – becomes active when the following occurs:

- Auto Flow Control is selected during configuration
- FIFOs are implemented
- AFCE (MCR[5] bit is set)
- FIFOs are enabled through FIFO Control Register FCR[0] bit
- SIR mode is disabled (MCR[6] bit is not set)

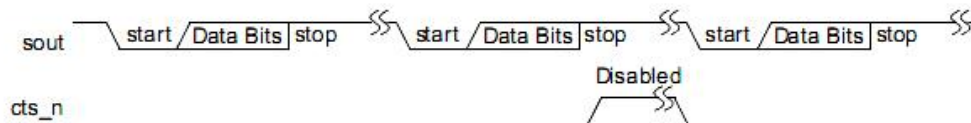


Fig. 19-6 UART AUTO CTS TIMING

## 19.4 Register Description

### 19.4.1 Registers Summary

Name	Offset	Size	Reset Value	Description
UART_RBR	0x0000	W	0x00000000	Receive Buffer Register
UART_DLL	0x0000	W	0x00000000	Divisor Latch Low
UART_THR	0x0000	W	0x00000000	Transmit Buffer Register
UART_DLH	0x0004	W	0x00000000	Divisor Latch High
UART_IER	0x0004	W	0x00000000	Interrupt Enable Register
UART_FCR	0x0008	W	0x00000000	FIFO Enable
UART_IIR	0x0008	W	0x00000001	Interrupt Identity Register
UART_LCR	0x000C	W	0x00000000	Line Control Register
UART_MCR	0x0010	W	0x00000000	Modem Control Register
UART_LSR	0x0014	W	0x00000060	Line Status Register
UART_MSR	0x0018	W	0x00000000	Modem Status Register
UART_SCR	0x001C	W	0x00000000	Scratchpad Register
UART_SRBR	0x0030	W	0x00000000	Shadow Receive Buffer Register
UART_STHR	0x0030	W	0x00000000	Shadow Transmit Holding Register
UART_FAR	0x0070	W	0x00000000	FIFO Access Register
UART_TFR	0x0074	W	0x00000000	Transmit FIFO Read
UART_RFW	0x0078	W	0x00000000	Receive FIFO write

Name	Offset	Size	Reset Value	Description
UART_USR	0x007C	W	0x00000006	UART Status Register
UART_TFL	0x0080	W	0x00000000	Transmit FIFO level
UART_RFL	0x0084	W	0x00000000	Receive FIFO level
UART_SRR	0x0088	W	0x00000000	Software Reset Register
UART_SRTS	0x008C	W	0x00000000	Shadow Request to Send
UART_SBCR	0x0090	W	0x00000000	Shadow Break Control Register
UART_SDMAM	0x0094	W	0x00000000	Shadow DMA Mode
UART_SFE	0x0098	W	0x00000000	Shadow FIFO enable
UART_SRT	0x009C	W	0x00000000	Shadow RCVR Trigger
UART_STET	0x00A0	W	0x00000000	Shadow TX Empty Trigger
UART_HTX	0x00A4	W	0x00000000	Halt TX
UART_DMASA	0x00A8	W	0x00000000	DMA Software Acknowledge
UART_CPR	0x00F4	W	0x00043FF2	Component Parameter Register
UART_UCV	0x00F8	W	0x3430322A	UART Component Version
UART_CTR	0x00FC	W	0x44570110	Component Type Register

Notes: **Size:** **B**- Byte (8 bits) access, **HW**- Half WORD (16 bits) access, **W**-WORD (32 bits) access, **DW**- Double WORD (64 bits) access

### 19.4.2 Detail Registers Description

#### UART\_RBR

Address: Operational Base + offset (0x0000)

Bit	Attr	Reset Value	Description
31:8	RO	0x000000	reserved
7:0	RO	0x00	<p><b>data_input</b> Data byte received on the serial input port (sin) in UART mode, or the serial infrared input (sir_in) in infrared mode. The data in this register is valid only if the Data Ready (DR) bit in the Line Status Register (LCR) is set. If in non-FIFO mode (FIFO_MODE == NONE) or FIFOs are disabled (FCR[0] set to zero), the data in the RBR must be read before the next data arrives, otherwise it is overwritten, resulting in an over-run error.</p> <p>If in FIFO mode (FIFO_MODE != NONE) and FIFOs are enabled (FCR[0] set to one), this register accesses the head of the receive FIFO. If the receive FIFO is full and this register is not read before the next data character arrives, then the data already in the FIFO is preserved, but any incoming data are lost and an over-run error occurs.</p>

#### UART\_DLL

Address: Operational Base + offset (0x0000)

Bit	Attr	Reset Value	Description
31:8	RO	0x000000	reserved

Bit	Attr	Reset Value	Description
7:0	RW	0x00	<p><b>baud_rate_divisor_l</b>                      Lower 8 bits of a 16-bit, read/write, Divisor Latch register that contains the baud rate divisor for the UART. This register may only be accessed when the DLAB bit (LCR[7]) is set and the UART is not busy (USR[0] is zero). The output baud rate is equal to the serial clock (pclk if one clock design, sclk if two clock design (CLOCK_MODE == Enabled)) frequency divided by sixteen times the value of the baud rate divisor, as follows: baud rate = (serial clock freq) / (16 * divisor).                      Note that with the Divisor Latch Registers (DLL and DLH) set to zero, the baud clock is disabled and no serial communications occur. Also, once the DLL is set, at least 8 clock cycles of the slowest UART clock should be allowed to pass before transmitting or receiving data.</p>

**UART THR**

Address: Operational Base + offset (0x0000)

Bit	Attr	Reset Value	Description
31:8	RO	0x000000	reserved
7:0	WO	0x00	<p><b>data_output</b>                      Data to be transmitted on the serial output port (sout) in UART mode or the serial infrared output (sir_out_n) in infrared mode. Data should only be written to the THR when the THR Empty (THRE) bit (LSR[5]) is set. If in non-FIFO mode or FIFOs are disabled (FCR[0] = 0) and THRE is set, writing a single character to the THR clears the THRE. Any additional writes to the THR before the THRE is set again causes the THR data to be overwritten.                      If in FIFO mode and FIFOs are enabled (FCR[0] = 1) and THRE is set, 64 characters of data may be written to the THR before the FIFO is full. Any attempt to write data when the FIFO is full results in the write data being lost.</p>

**UART DLH**

Address: Operational Base + offset (0x0004)

Bit	Attr	Reset Value	Description
31:8	RO	0x000000	reserved
7:0	RW	0x00	<p><b>baud_rate_divisor_h</b>                      Upper 8-bits of a 16-bit, read/write, Divisor Latch register that contains the baud rate divisor for the UART. This register may only be accessed when the DLAB bit (LCR[7]) is set and the UART is not busy (USR[0] is zero). The output baud rate is equal to the serial clock (pclk if one clock design, sclk if two clock design (CLOCK_MODE == Enabled)) frequency divided by sixteen times the value of the baud rate divisor, as follows: baud rate = (serial clock freq) / (16 * divisor).                      Note that with the Divisor Latch Registers (DLL and DLH) set to zero, the baud clock is disabled and no serial communications occur. Also, once the DLH is set, at least 8 clock cycles of the slowest UART clock should be allowed to pass before transmitting or receiving data.</p>

**UART IER**

Address: Operational Base + offset (0x0004)

Bit	Attr	Reset Value	Description
31:8	RO	0x000000	reserved
7	RW	0x0	prog_thre_int_en Programmable THRE Interrupt Mode Enable that can be written to only when THRE_MODE_USER == Enabled, always readable. This is used to enable/disable the generation of THRE Interrupt. 1'b0: Disabled 1'b1: Enabled
6:4	RO	0x0	reserved
3	RW	0x0	modem_status_int_en Enable Modem Status Interrupt. This is used to enable/disable the generation of Modem Status Interrupt. This is the fourth highest priority interrupt. 1'b0: Disabled 1'b1: Enabled
2	RW	0x0	receive_line_status_int_en Enable Receiver Line Status Interrupt. This is used to enable/disable the generation of Receiver Line Status Interrupt. This is the highest priority interrupt. 1'b0: Disabled 1'b1: Enabled
1	RW	0x0	trans_hold_empty_int_en Enable Transmit Holding Register Empty Interrupt. This is used to enable/disable the generation of Transmitter Holding Register Empty Interrupt. This is the third highest priority interrupt. 1'b0: Disabled 1'b1: Enabled
0	RW	0x0	receive_data_available_int_en Enable Received Data Available Interrupt. This is used to enable/disable the generation of Received Data Available Interrupt and the Character Timeout Interrupt (if in FIFO mode and FIFOs enabled). These are the second highest priority interrupts. 1'b0: Disabled 1'b1: Enabled

**UART\_FCR**

Address: Operational Base + offset (0x0008)

Bit	Attr	Reset Value	Description
31:8	RO	0x000000	reserved
7:6	WO	0x0	rcvr_trigger At which the Received Data Available Interrupt is generated. In auto flow control mode it is used to determine when the rts_n signal is de-asserted. It also determines when the dma_rx_req_n signal is asserted in certain modes of operation. For details on DMA support, refer to "DMA Support". The following trigger levels are supported: 2'b00: 1 character in the FIFO 2'b01: FIFO 1/4 full 2'b10: FIFO 1/2 full 2'b11: FIFO 2 less than full

Bit	Attr	Reset Value	Description
5:4	WO	0x0	tx_empty_trigger TX Empty Trigger. Writes have no effect when THRE_MODE_USER == Disabled. This is used to select the empty threshold level at which the THRE Interrupts are generated when the mode is active. It also determines when the dma_tx_req_n signal is asserted when in certain modes of operation. For details on DMA support, refer to "DMA Support" . The following trigger levels are supported: 2'b00: FIFO empty 2'b01: 2 characters in the FIFO 2'b10: FIFO 1/4 full 2'b11: FIFO 1/2 full
3	WO	0x0	dma_mode DMA Mode. This determines the DMA signaling mode used for the dma_tx_req_n and dma_rx_req_n output signals when additional DMA handshaking signals are not selected (DMA_EXTRA == No). For details on DMA support, refer to DMA Support. 1'b0: Mode 0 1'b1: Mode 1
2	WO	0x0	xmit_fifo_reset XMIT FIFO Reset. This resets the control portion of the transmit FIFO and treats the FIFO as empty. This also de-asserts the DMA TX request and single signals when additional DMA handshaking signals are selected (DMA_EXTRA == YES). Note that this bit is 'self-clearing'. It is not necessary to clear this bit.
1	WO	0x0	rcvr_fifo_reset RCVR FIFO Reset. This resets the control portion of the receive FIFO and treats the FIFO as empty. This also de-asserts the DMA RX request and single signals when additional DMA handshaking signals are selected (DMA_EXTRA == YES). Note that this bit is 'self-clearing'. It is not necessary to clear this bit.
0	WO	0x0	fifo_en FIFO Enable. This enables/disables the transmit (XMIT) and receive (RCVR) FIFOs. Whenever the value of this bit is changed both the XMIT and RCVR controller portion of FIFOs is reset.

**UART IIR**

Address: Operational Base + offset (0x0008)

Bit	Attr	Reset Value	Description
31:8	RO	0x000000	reserved
7:6	RO	0x0	fifos_en FIFOs Enabled. This is used to indicate whether the FIFOs are enabled or disabled. 2'b00: Disabled 2'b11: Enabled
5:4	RO	0x0	reserved



Bit	Attr	Reset Value	Description
3:0	RO	0x1	<p>int_id Interrupt ID. This indicates the highest priority pending interrupt which can be one of the following types: 4'b0000: Modem status 4'b0001: No interrupt pending 4'b0010: THR empty 4'b0100: Received data available 4'b0110: Receiver line status 4'b0111: Busy detect 4'b1100: Character timeout The interrupt priorities are split into four levels that are detailed in Table X. Bit 3 indicates an interrupt can only occur when the FIFOs are enabled and used to distinguish a Character Timeout condition interrupt.</p>

**UART\_LCR**

Address: Operational Base + offset (0x000C)

Bit	Attr	Reset Value	Description
31:8	RO	0x000000	reserved
7	RW	0x0	<p>div_lat_access Divisor Latch Access Bit. Writable only when UART is not busy (USR[0] is zero), always readable. This bit is used to enable reading and writing of the Divisor Latch register (DLL and DLH) to set the baud rate of the UART. This bit must be cleared after initial baud rate setup in order to access other registers.</p>
6	RW	0x0	<p>break_ctrl Break Control Bit. This is used to cause a break condition to be transmitted to the receiving device. If set to one the serial output is forced to the spacing (logic 0) state. When not in Loopback Mode, as determined by MCR[4], the sout line is forced low until the Break bit is cleared. If SIR_MODE == Enabled and active (MCR[6] set to one) the sir_out_n line is continuously pulsed. When in Loopback Mode, the break condition is internally looped back to the receiver and the sir_out_n line is forced low.</p>
5	RW	0x0	<p>stick_parity If UART_16550_COMPATIBLE = NO, then writable only when UART is not busy (USR[0] is 0); otherwise always writable and always readable. This bit is used to force parity value. When PEN, EPS and Stick Parity are set to 1, the parity bit is transmitted and checked as logic 0. If PEN and Stick Parity are set to 1 and EPS is a logic 0, then parity bit is transmitted and checked as a logic 1. If this bit is set to 0, Stick Parity is disabled.</p>
4	RW	0x0	<p>even_parity_sel Even Parity Select. Writable only when UART is not busy (USR[0] is zero), always readable. This is used to select between even and odd parity, when parity is enabled (PEN set to one). If set to one, an even number of logic 1s is transmitted or checked. If set to zero, an odd number of logic 1s is transmitted or checked.</p>

Bit	Attr	Reset Value	Description
3	RW	0x0	<p>parity_en Parity Enable. Writable only when UART is not busy (USR[0] is zero), always readable. This bit is used to enable and disable parity generation and detection in transmitted and received serial character respectively. 1'b0: Parity disabled 1'b1: Parity enabled</p>
2	RW	0x0	<p>stop_bits_num Number of stop bits. Writable only when UART is not busy (USR[0] is zero), always readable. This is used to select the number of stop bits per character that the peripheral transmits and receives. If set to zero, one stop bit is transmitted in the serial data. If set to one and the data bits are set to 5 (LCR[1:0] set to zero) one and a half stop bits is transmitted. Otherwise, two stop bits are transmitted. Note that regardless of the number of stop bits selected, the receiver checks only the first stop bit. 1'b0: 1 stop bit 1'b1: 1.5 stop bits when DLS (LCR[1:0]) is zero, else 2 stop bit.</p>
1:0	RW	0x0	<p>data_length_sel Data Length Select. Writable only when UART is not busy (USR[0] is zero), always readable. This is used to select the number of data bits per character that the peripheral transmits and receives. The number of bit that may be selected areas follows: 2'b00: 5 bits 2'b01: 6 bits 2'b10: 7 bits 2'b11: 8 bits</p>

**UART MCR**

Address: Operational Base + offset (0x0010)

Bit	Attr	Reset Value	Description
31:7	RO	0x0000000	reserved
6	RW	0x0	reserved
5	RW	0x0	<p>auto_flow_ctrl_en Auto Flow Control Enable. Writable only when AFCE_MODE == Enabled, always readable. When FIFOs are enabled and the Auto Flow Control Enable (AFCE) bit is set, Auto Flow Control features are enabled as described in "Auto Flow Control". 1'b0: Auto Flow Control Mode disabled 1'b1: Auto Flow Control Mode enabled</p>
4	RW	0x0	<p>loopback LoopBack Bit. This is used to put the UART into a diagnostic mode for test purposes. If operating in UART mode (SIR_MODE != Enabled or not active, MCR[6] set to zero), data on the sout line is held high, while serial data output is looped back to the sin line, internally. In this mode all the interrupts are fully functional. Also, in loopback mode, the modem control inputs (dsr_n, cts_n, ri_n, dcd_n) are disconnected and the modem control outputs (dtr_n, rts_n, out1_n, out2_n) are looped back to the inputs, internally. If operating in infrared mode (SIR_MODE == Enabled AND active, MCR[6] set to one), data on the sir_out_n line is held low, while serial data output is inverted and looped back to the sir_in line.</p>

Bit	Attr	Reset Value	Description
3	RW	0x0	<p>out2                      OUT2. This is used to directly control the user-designated Output2 (out2_n) output. The value written to this location is inverted and driven out on out2_n, that is:                      1'b0: Out2_n de-asserted (logic 1)                      1'b1: Out2_n asserted (logic 0)                      Note that in Loopback mode (MCR[4] set to one), the out2_n output is held inactive high while the value of this location is internally looped back to an input.</p>
2	RW	0x0	<p>out1                      OUT1. This is used to directly control the user-designated Output1 (out1_n) output. The value written to this location is inverted and driven out on out1_n, that is:                      1'b0: Out1_n de-asserted (logic 1)                      1'b1: Out1_n asserted (logic 0)                      Note that in Loopback mode (MCR[4] set to one), the out1_n output is held inactive high while the value of this location is internally looped back to an input.</p>
1	RW	0x0	<p>req_to_send                      Request to Send. This is used to directly control the Request to Send (rts_n) output. The Request To Send (rts_n) output is used to inform the modem or data set that the UART is ready to exchange data. When Auto RTS Flow Control is not enabled (MCR[5] set to zero), the rts_n signal is set low by programming MCR[1] (RTS) to a high. In Auto Flow Control, AFCE_MODE == Enabled and active (MCR[5] set to one) and FIFOs enable (FCR[0] set to one), the rts_n output is controlled in the same way, but is also gated with the receiver FIFO threshold trigger (rts_n is inactive high when above the threshold). The rts_n signal is de-asserted when MCR[1] is set low. Note that in Loopback mode (MCR[4] set to one), the rts_n output is held inactive high while the value of this location is internally looped back to an input.</p>
0	RW	0x0	<p>data_terminal_ready                      Data Terminal Ready. This is used to directly control the Data Terminal Ready (dtr_n) output. The value written to this location is inverted and driven out on dtr_n, that is:                      1'b0: dtr_n de-asserted (logic 1)                      1'b1: dtr_n asserted (logic 0)                      The Data Terminal Ready output is used to inform the modem or data set that the UART is ready to establish communications. Note that in Loopback mode (MCR[4] set to one), the dtr_n output is held inactive</p>

**UART\_LSR**

Address: Operational Base + offset (0x0014)

Bit	Attr	Reset Value	Description
31:8	RO	0x000000	reserved

Bit	Attr	Reset Value	Description
7	RO	0x0	<p>receiver_fifo_error Receiver FIFO Error bit. This bit is only relevant when FIFO_MODE != NONE AND FIFOs are enabled (FCR[0] set to one). This is used to indicate if there is at least one parity error, framing error, or break indication in the FIFO. 1'b0: No error in RX FIFO 1'b1: Error in RX FIFO This bit is cleared when the LSR is read and the character with the error is at the top of the receiver FIFO and there are no subsequent errors in the FIFO.</p>
6	RO	0x1	<p>trans_empty Transmitter Empty bit. If in FIFO mode (FIFO_MODE != NONE) and FIFOs enabled (FCR[0] set to one), this bit is set whenever the Transmitter Shift Register and the FIFO are both empty. If in non-FIFO mode or FIFOs are disabled, this bit is set whenever the Transmitter Holding Register and the Transmitter Shift Register are both empty.</p>
5	RO	0x1	<p>trans_hold_reg_empty Transmit Holding Register Empty bit. If THRE_MODE_USER == Disabled or THRE mode is disabled (IER[7] set to zero) and regardless of FIFO's being implemented/enabled or not, this bit indicates that the THR or TX FIFO is empty. This bit is set whenever data is transferred from the THR or TX FIFO to the transmitter shift register and no new data has been written to the THR or TX FIFO. This also causes a THRE Interrupt to occur, if the THRE Interrupt is enabled. If THRE_MODE_USER == Enabled AND FIFO_MODE != NONE and both modes are active (IER[7] set to one and FCR[0] set to one respectively), the functionality is switched to indicate the transmitter FIFO is full, and no longer controls THRE interrupts, which are then controlled by the FCR[5:4] threshold setting.</p>
4	RO	0x0	<p>break_int Break Interrupt bit. This is used to indicate the detection of a break sequence on the serial input data. If in UART mode (SIR_MODE == Disabled), it is set whenever the serial input, sin, is held in a logic '0' state for longer than the sum of start time + data bits + parity + stop bits. If in infrared mode (SIR_MODE == Enabled), it is set whenever the serial input, sir_in, is continuously pulsed to logic '0' for longer than the sum of start time + data bits + parity + stop bits. A break condition on serial input causes one and only one character, consisting of all zeros, to be received by the UART. In the FIFO mode, the character associated with the break condition is carried through the FIFO and is revealed when the character is at the top of the FIFO. Reading the LSR clears the BI bit. In the non-FIFO mode, the BI indication occurs immediately and persists until the LSR is read.</p>

Bit	Attr	Reset Value	Description
3	RO	0x0	<p>framing_error Framing Error bit. This is used to indicate the occurrence of a framing error in the receiver. A framing error occurs when the receiver does not detect a valid STOP bit in the received data. In the FIFO mode, since the framing error is associated with a character received, it is revealed when the character with the framing error is at the top of the FIFO. When a framing error occurs, the UART tries to re-synchronize. It does this by assuming that the error was due to the start bit of the next character and then continues receiving the other bit i.e. data, and/or parity and stop. It should be noted that the Framing Error (FE) bit (LSR[3]) is set if a break interrupt has occurred, as indicated by Break Interrupt (BI) bit (LSR[4]). 1'b0: No framing error 1'b1: Framing error Reading the LSR clears the FE bit.</p>
2	RO	0x0	<p>parity_error Parity Error bit. This is used to indicate the occurrence of a parity error in the receiver if the Parity Enable (PEN) bit (LCR[3]) is set. In the FIFO mode, since the parity error is associated with a character received, it is revealed when the character with the parity error arrives at the top of the FIFO. It should be noted that the Parity Error (PE) bit (LSR[2]) is set if a break interrupt has occurred, as indicated by Break Interrupt (BI) bit (LSR[4]). 1'b0: No parity error 1'b1: Parity error Reading the LSR clears the PE bit.</p>
1	RO	0x0	<p>overrun_error Overrun error bit. This is used to indicate the occurrence of an overrun error. This occurs if a new data character was received before the previous data was read. In the non-FIFO mode, the OE bit is set when a new character arrives in the receiver before the previous character was read from the RBR. When this happens, the data in the RBR is overwritten. In the FIFO mode, an overrun error occurs when the FIFO is full and a new character arrives at the receiver. The data in the FIFO is retained and the data in the receive shift register is lost. 1'b0: No overrun error 1'b1: Overrun error Reading the LSR clears the OE bit.</p>
0	RO	0x0	<p>data_ready Data Ready bit. This is used to indicate that the receiver contains at least one character in the RBR or the receiver FIFO. 1'b0: No data ready 1'b1: Data ready This bit is cleared when the RBR is read in non-FIFO mode, or when the receiver FIFO is empty, in FIFO mode.</p>

**UART MSR**

Address: Operational Base + offset (0x0018)

Bit	Attr	Reset Value	Description
31:8	RO	0x000000	reserved

Bit	Attr	Reset Value	Description
7	RO	0x0	<p>data_carrier_detect Data Carrier Detect. This is used to indicate the current state of the modem control line dcd_n. This bit is the complement of dcd_n. When the Data Carrier Detect input (dcd_n) is asserted it is an indication that the carrier has been detected by the modem or data set. 1'b0: dcd_n input is de-asserted (logic 1) 1'b1: dcd_n input is asserted (logic 0) In Loopback Mode (MCR[4] set to one), DCD is the same as MCR[3] (Out2).</p>
6	RO	0x0	<p>ring_indicator Ring Indicator. This is used to indicate the current state of the modem control line ri_n. This bit is the complement of ri_n. When the Ring Indicator input (ri_n) is asserted it is an indication that a telephone ringing signal has been received by the modem or data set. 1'b0: ri_n input is de-asserted (logic 1) 1'b1: ri_n input is asserted (logic 0) In Loopback Mode (MCR[4] set to one), RI is the same as MCR[2] (Out1).</p>
5	RO	0x0	<p>data_set_ready Data Set Ready. This is used to indicate the current state of the modem control line dsr_n. This bit is the complement of dsr_n. When the Data Set Ready input (dsr_n) is asserted it is an indication that the modem or data set is ready to establish communications with the UART. 1'b0: dsr_n input is de-asserted (logic 1) 1'b1: dsr_n input is asserted (logic 0) In Loopback Mode (MCR[4] set to one), DSR is the same as MCR[0] (DTR).</p>
4	RO	0x0	<p>clear_to_send Clear to Send. This is used to indicate the current state of the modem control line cts_n. This bit is the complement of cts_n. When the Clear to Send input (cts_n) is asserted it is an indication that the modem or data set is ready to exchange data with the UART. 1'b0: cts_n input is de-asserted (logic 1) 1'b1: cts_n input is asserted (logic 0) In Loopback Mode (MCR[4] = 1), CTS is the same as MCR[1] (RTS).</p>
3	RO	0x0	<p>delta_data_carrier_detect Delta Data Carrier Detect. This is used to indicate that the modem control line dcd_n has changed since the last time the MSR was read. 1'b0: No change on dcd_n since last read of MSR 1'b1: Change on dcd_n since last read of MSR Reading the MSR clears the DDCD bit. In Loopback Mode (MCR[4] = 1), DDCD reflects changes on MCR[3] (Out2). Note, if the DDCD bit is not set and the dcd_n signal is asserted (low) and a reset occurs (software or otherwise), then the DDCD bit is set when the reset is removed if the dcd_n signal remains asserted.</p>

Bit	Attr	Reset Value	Description
2	RO	0x0	<p>trailing_edge_ring_indicator Trailing Edge of Ring Indicator. This is used to indicate that a change on the input ri_n (from an active-low to an inactive-high state) has occurred since the last time the MSR was read. 1'b0: No change on ri_n since last read of MSR 1'b1: Change on ri_n since last read of MSR Reading the MSR clears the TERI bit. In Loopback Mode (MCR[4] = 1), TERI reflects when MCR[2] (Out1) has changed state from a high to a low.</p>
1	RO	0x0	<p>delta_data_set_ready Delta Data Set Ready. This is used to indicate that the modem control line dsr_n has changed since the last time the MSR was read. 1'b0: No change on dsr_n since last read of MSR 1'b1: Change on dsr_n since last read of MSR Reading the MSR clears the DDSR bit. In Loopback Mode (MCR[4] = 1), DDSR reflects changes on MCR[0] (DTR). Note, if the DDSR bit is not set and the dsr_n signal is asserted (low) and a reset occurs (software or otherwise), then the DDSR bit is set when the reset is removed if the dsr_n signal remains asserted.</p>
0	RO	0x0	<p>delta_clear_to_send Delta Clear to Send. This is used to indicate that the modem control line cts_n has changed since the last time the MSR was read. 1'b0: No change on ctsdsr_n since last read of MSR 1'b1: Change on ctsdsr_n since last read of MSR Reading the MSR clears the DCTS bit. In Loopback Mode (MCR[4] = 1), DCTS reflects changes on MCR[1] (RTS). Note, if the DCTS bit is not set and the cts_n signal is asserted (low) and a reset occurs (software or otherwise), then the DCTS bit is set when the reset is removed if the cts_n signal remains asserted.</p>

**UART\_SCR**

Address: Operational Base + offset (0x001C)

Bit	Attr	Reset Value	Description
31:8	RO	0x000000	reserved
7:0	RW	0x00	<p>temp_store_space Scratchpad register. This register is for programmers to use as a temporary storage space. It has no defined purpose in the UART.</p>

**UART\_SRBR**

Address: Operational Base + offset (0x0030)

Bit	Attr	Reset Value	Description
31:8	RO	0x000000	reserved

Bit	Attr	Reset Value	Description
7:0	RO	0x00	<p>shadow_rbr</p> <p>This is a shadow register for the RBR and has been allocated sixteen 32-bit locations (0x30-0x6c) so as to accommodate burst accesses from the master. This register contains the data byte received on the serial input port (sin) in UART mode or the serial infrared input (sir_in) in infrared mode. The data in this register is valid only if the Data Ready (DR) bit in the Line status Register (LSR) is set. If in non-FIFO mode (FIFO_MODE == NONE) or FIFOs are disabled (FCR[0] set to zero), the data in the RBR must be read before the next data arrives, otherwise it is overwritten, resulting in an overrun error. If in FIFO mode (FIFO_MODE != NONE) and FIFOs are enabled (FCR[0] set to one), this register accesses the head of the receive FIFO. If the receive FIFO is full and this register is not read before the next data character arrives, then the data already in the FIFO are preserved, but any incoming data is lost. An overrun error also occurs.</p>

**UART\_STHR**

Address: Operational Base + offset (0x0030)

Bit	Attr	Reset Value	Description
31:8	RO	0x000000	reserved
7:0	WO	0x00	<p>shadow_thr</p> <p>This is a shadow register for the THR and has been allocated sixteen 32-bit locations(0x30-0x6c) so as to accommodate burst accesses from the master. This register contains data to be transmitted on the serial output port (sout) in UART mode or the serial infrared output (sir_out_n) in infrared mode. Data should only be written to the THR when the THR Empty (THRE) bit (LSR[5]) is set. If in non-FIFO mode or FIFOs are disabled (FCR[0] set to zero) and THRE is set, writing a single character to the THR clears the THRE. Any additional writes to the THR before the THRE is set again causes the THR data to be overwritten. If in FIFO mode and FIFOs are enabled (FCR[0] set to one) and THRE is set, x number of characters of data may be written to the THR before the FIFO is full. The number x (default=16) is determined by the value of FIFO Depth that you set during configuration. Any attempt to write data when the FIFO is full results in the write data being lost.</p>

**UART\_FAR**

Address: Operational Base + offset (0x0070)

Bit	Attr	Reset Value	Description
31:1	RO	0x00000000	reserved



Bit	Attr	Reset Value	Description
0	RW	0x0	<p>fifo_access_test_en Writes have no effect when FIFO_ACCESS == No, always readable. This register is use to enable a FIFO access mode for testing, so that the receive FIFO can be written by the master and the transmit FIFO can be read by the master when FIFOs are implemented and enabled. When FIFOs are not implemented or not enabled it allows the RBR to be written by the master and the THR to be read by the master. 1'b0: FIFO access mode disabled 1'b1: FIFO access mode enabled Note that when the FIFO access mode is enabled/disabled, the control portion of the receive FIFO and transmit FIFO is reset and the FIFOs are treated as empty.</p>

**UART\_TFR**

Address: Operational Base + offset (0x0074)

Bit	Attr	Reset Value	Description
31:8	RO	0x000000	reserved
7:0	RO	0x00	<p>trans_fifo_read Transmit FIFO Read. These bits are only valid when FIFO access mode is enabled (FAR[0] is set to one). When FIFOs are implemented and enabled, reading this register gives the data at the top of the transmit FIFO. Each consecutive read pops the transmit FIFO and gives the next data value that is currently at the top of the FIFO. When FIFOs are not implemented or not enabled, reading this register gives the data in the THR.</p>

**UART\_RFW**

Address: Operational Base + offset (0x0078)

Bit	Attr	Reset Value	Description
31:10	RO	0x000000	reserved
9	WO	0x0	<p>receive_fifo_framing_error Receive FIFO Framing Error. These bits are only valid when FIFO access mode is enabled (FAR[0] is set to one). When FIFOs are implemented and enabled, this bit is used to write framing error detection information to the receive FIFO. When FIFOs are not implemented or not enabled, this bit is used to write framing error detection information to the RBR.</p>
8	WO	0x0	<p>receive_fifo_parity_error Receive FIFO Parity Error. These bits are only valid when FIFO access mode is enabled (FAR[0] is set to one). When FIFOs are implemented and enabled, this bit is used to write parity error detection information to the receive FIFO. When FIFOs are not implemented or not enabled, this bit is used to write parity error detection information to the RBR.</p>
7:0	WO	0x00	<p>receive_fifo_write Receive FIFO Write Data. These bits are only valid when FIFO access mode is enabled (FAR[0] is set to one). When FIFOs are implemented and enabled, the data that is written to the RFW is pushed into the receive FIFO. Each consecutive write pushes the new data to the next write location in the receive FIFO. When FIFOs are not implemented or not enabled, the data that is written to the RFW is pushed into the RBR.</p>

**UART\_USR**

Address: Operational Base + offset (0x007C)

Bit	Attr	Reset Value	Description
31:5	RO	0x0000000	reserved
4	RO	0x0	receive_fifo_full Receive FIFO Full. This bit is only valid when FIFO_STAT == YES. This is used to indicate that the receive FIFO is completely full. 1'b0: Receive FIFO not full 1'b1: Receive FIFO full This bit is cleared when the RX FIFO is no longer full.
3	RO	0x0	receive_fifo_not_empty Receive FIFO Not Empty. This bit is only valid when FIFO_STAT == YES. This is used to indicate that the receive FIFO contains one or more entries. 1'b0: Receive FIFO is empty 1'b1: Receive FIFO is not empty This bit is cleared when the RX FIFO is empty.
2	RO	0x1	trans_fifo_empty Transmit FIFO Empty. This bit is only valid when FIFO_STAT == YES. This is used to indicate that the transmit FIFO is completely empty. 1'b0: Transmit FIFO is not empty 1'b1: Transmit FIFO is empty This bit is cleared when the TX FIFO is no longer empty.
1	RO	0x1	trans_fifo_not_full Transmit FIFO Not Full. This bit is only valid when FIFO_STAT == YES. This is used to indicate that the transmit FIFO is not full. 1'b0: Transmit FIFO is full 1'b1: Transmit FIFO is not full This bit is cleared when the TX FIFO is full.
0	RO	0x0	uart_busy UART Busy. This bit indicates that a serial transfer is in progress, when cleared indicates that the UART is idle or inactive. 1'b0: UART is idle or inactive 1'b1: UART is busy (actively transferring data) Note that it is possible for the UART Busy bit to be cleared even though a new character may have been sent from another device. That is, if the UART has no data in THR and RBR and there is no transmission in progress and a start bit of a new character has just reached the UART. This is due to the fact that a valid start is not seen until the middle of the bit period and this duration is dependent on the baud divisor that has been programmed. If a second system clock has been implemented (CLOCK_MODE == Enabled), the assertion of this bit is also delayed by several cycles of the slower clock.

**UART\_TFL**

Address: Operational Base + offset (0x0080)

Bit	Attr	Reset Value	Description
31:6	RO	0x0000000	reserved
5:0	RO	0x00	trans_fifo_level Transmit FIFO Level. This bit indicates the number of data entries in the transmit FIFO.

**UART\_RFL**

Address: Operational Base + offset (0x0084)

Bit	Attr	Reset Value	Description
31:6	RO	0x00000000	reserved
5:0	RO	0x00	receive_fifo_level Receive FIFO Level. This indicates the number of data entries in the receive FIFO.

**UART\_SRR**

Address: Operational Base + offset (0x0088)

Bit	Attr	Reset Value	Description
31:3	RO	0x00000000	reserved
2	WO	0x0	xmit_fifo_reset XMIT FIFO Reset. This is a shadow register for the XMIT FIFO Reset bit (FCR[2]). This can be used to remove the burden on software having to store previously written FCR values (which are pretty static) just to reset the transmit FIFO. This resets the control portion of the transmit FIFO and treats the FIFO as empty. This also de-asserts the DMA TX request and single signals when additional DMA handshaking signals are selected (DMA_EXTRA == YES). Note that this bit is 'self-clearing'. It is not necessary to clear this bit.
1	WO	0x0	rcvr_fifo_reset RCVR FIFO Reset. This is a shadow register for the RCVR FIFO Reset bit (FCR[1]). This can be used to remove the burden on software having to store previously written FCR values (which are pretty static) just to reset the receive FIFO. This resets the control portion of the receive FIFO and treats the FIFO as empty. This also de-asserts the DMA RX request and single signals when additional DMA handshaking signals are selected (DMA_EXTRA == YES). Note that this bit is 'self-clearing'. It is not necessary to clear this bit.
0	WO	0x0	uart_reset UART Reset. This asynchronously resets the UART and synchronously removes the reset assertion. For a two clock implementation both pclk and sclk domains are reset.

**UART\_SRTS**

Address: Operational Base + offset (0x008C)

Bit	Attr	Reset Value	Description
31:1	RO	0x00000000	reserved
0	RW	0x0	shadow_req_to_send Shadow Request to Send. This is a shadow register for the RTS bit (MCR[1]), this can be used to remove the burden of having to performing a read-modify-write on the MCR. This is used to directly control the Request to Send (rts_n) output. The Request To Send (rts_n) output is used to inform the modem or data set that the UART is ready to exchange data. When Auto RTS Flow Control is not enabled (MCR[5] = 0), the rts_n signal is set low by programming MCR[1] (RTS) to a high. In Auto Flow Control, AFCE_MODE == Enabled and active (MCR[5] = 1) and FIFOs enable (FCR[0] = 1), the rts_n output is controlled in the same way, but is also gated with the receiver FIFO threshold trigger (rts_n is inactive high when above the threshold). Note that in Loopback mode (MCR[4] = 1), the rts_n output is held inactive-high while the value of this location is internally looped back to an input.

**UART\_SBCR**

Address: Operational Base + offset (0x0090)

Bit	Attr	Reset Value	Description
31:1	RO	0x00000000	reserved
0	RW	0x0	shadow_break_ctrl Shadow Break Control Bit. This is a shadow register for the Break bit (LCR[6]), this can be used to remove the burden of having to performing a read modify write on the LCR. This is used to cause a break condition to be transmitted to the receiving device. If set to one the serial output is forced to the spacing (logic 0) state. When not in Loopback Mode, as determined by MCR[4], the sout line is forced low until the Break bit is cleared. If SIR_MODE == Enabled and active (MCR[6] = 1) the sir_out_n line is continuously pulsed. When in Loopback Mode, the break condition is internally looped back to the receiver.

**UART\_SDMAM**

Address: Operational Base + offset (0x0094)

Bit	Attr	Reset Value	Description
31:1	RO	0x00000000	reserved
0	RW	0x0	shadow_dma_mode Shadow DMA Mode. This is a shadow register for the DMA mode bit (FCR[3]). This can be used to remove the burden of having to store the previously written value to the FCR in memory and having to mask this value so that only the DMA Mode bit gets updated. This determines the DMA signaling mode used for the dma_tx_req_n and dma_rx_req_n output signals when additional DMA handshaking signals are not selected (DMA_EXTRA == NO). 1'b0: Mode 0 1'b1: Mode 1

**UART\_SFE**

Address: Operational Base + offset (0x0098)

Bit	Attr	Reset Value	Description
31:1	RO	0x00000000	reserved
0	RW	0x0	shadow_fifo_en Shadow FIFO Enable. This is a shadow register for the FIFO enable bit (FCR[0]). This can be used to remove the burden of having to store the previously written value to the FCR in memory and having to mask this value so that only the FIFO enable bit gets updated. This enables/disables the transmit (XMIT) and receive (RCVR) FIFOs. If this bit is set to zero (disabled) after being enabled then both the XMIT and RCVR controller portion of FIFOs are reset.

**UART\_SRT**

Address: Operational Base + offset (0x009C)

Bit	Attr	Reset Value	Description
31:2	RO	0x00000000	reserved

Bit	Attr	Reset Value	Description
1:0	RW	0x0	<p>shadow_rcvr_trigger Shadow RCVR Trigger. This is a shadow register for the RCVR trigger bits (FCR[7:6]). This can be used to remove the burden of having to store the previously written value to the FCR in memory and having to mask this value so that only the RCVR trigger bit gets updated. This is used to select the trigger level in the receiver FIFO at which the Received Data Available Interrupt is generated. It also determines when the dma_rx_req_n signal is asserted when DMA Mode (FCR[3]) = 1. The following trigger levels are supported: 2'b00: 1 character in the FIFO 2'b01: FIFO 1/4 full 2'b10: FIFO 1/2 full 2'b11: FIFO 2 less than full</p>

**UART STET**

Address: Operational Base + offset (0x00A0)

Bit	Attr	Reset Value	Description
31:2	RO	0x00000000	reserved
1:0	RW	0x0	<p>shadow_tx_empty_trigger Shadow TX Empty Trigger. This is a shadow register for the TX empty trigger bits (FCR[5:4]). This can be used to remove the burden of having to store the previously written value to the FCR in memory and having to mask this value so that only the TX empty trigger bit gets updated. This is used to select the empty threshold level at which the THRE Interrupts are generated when the mode is active. The following trigger levels are supported: 2'b00: FIFO empty 2'b01: 2 characters in the FIFO 2'b10: FIFO 1/4 full 2'b11: FIFO 1/2 full</p>

**UART HTX**

Address: Operational Base + offset (0x00A4)

Bit	Attr	Reset Value	Description
31:1	RO	0x00000000	reserved
0	RW	0x0	<p>halt_tx_en This register is use to halt transmissions for testing, so that the transmit FIFO can be filled by the master when FIFOs are implemented and enabled. 1'b0: Halt TX disabled 1'b1: Halt TX enabled Note, if FIFOs are implemented and not enabled, the setting of the halt TX register has no effect on operation.</p>

**UART DMASA**

Address: Operational Base + offset (0x00A8)

Bit	Attr	Reset Value	Description
31:1	RO	0x00000000	reserved

Bit	Attr	Reset Value	Description
0	WO	0x0	dma_software_ack This register is use to perform a DMA software acknowledge if a transfer needs to be terminated due to an error condition. For example, if the DMA disables the channel, then the UART should clear its request. This causes the TX request, TX single, RX request and RX single signals to de-assert. Note that this bit is 'self-clearing'. It is not necessary to clear this bit.

**UART CPR**

Address: Operational Base + offset (0x00F4)

Bit	Attr	Reset Value	Description
31:24	RO	0x00	reserved
23:16	RO	0x04	fifo_mode 8'h4 means FIFO mode is 64.
15:14	RO	0x0	reserved
13	RO	0x1	dma_extra 1'b1 means DMA_EXTRA enabled.
12	RO	0x1	uart_add_encoded_params 1'b1 means UART_ADD_ENCODED_PARAMS enabled.
11	RO	0x1	shadow 1'b1 means SHADOW mode enabled.
10	RO	0x1	fifo_stat 1'b1 means FIFO_STAT enabled.
9	RO	0x1	fifo_access 1'b1 means FIFO_ACCESS enabled.
8	RO	0x1	new_feat 1'b1 means Additional features enabled.
7	RO	0x1	sir_lp_mode 1'b1 means SIR_LP mode enabled.
6	RO	0x1	sir_mode 1'b1 means SIR mode enabled.
5	RO	0x1	thre_mode 1'b1 means THRE mode enabled.
4	RO	0x1	afce_mode 1'b1 means AFCE mode enabled.
3:2	RO	0x0	reserved
1:0	RO	0x2	apb_data_width 2'b10 means APB data width is 32bit.

**UART UCV**

Address: Operational Base + offset (0x00F8)

Bit	Attr	Reset Value	Description
31:0	RO	0x3430322a	ver ASCII value for each number in the version.

**UART CTR**

Address: Operational Base + offset (0x00FC)

Bit	Attr	Reset Value	Description
31:0	RO	0x44570110	peripheral_id This register contains the peripherals identification code.

## 19.5 Interface Description

Table 19-1 UART0 Interface Description

Module Pin	Direction	Pad Name	IOMUX Setting
<b>IOMUX0</b>			
uart_rx	I	PDM0_CLK1_M1/PWM2_M0/UART0_RX_M0/I2C4_SDA_M2/DP0_HPDIN_M1/PCIE30X1_0_WAKEN_M0/GPIO0_C4_d	PMU2_IOC_GPIO0C_IOMUX_SEL_H[3:0] = 4'h4
uart_tx	O	I2S1_SDI0_M1/GPU_AVS/UART0_TX_M0/I2C4_SCL_M2/DP1_HPDIN_M1/PWM4_M0/PCIE30X1_0_PERSTN_M0/GPIO0_C5_u	PMU2_IOC_GPIO0C_IOMUX_SEL_H[7:4] = 4'h4
uart_cts_n	I	I2S1_SDO0_M1/CPU_BIG0_AVS/I2C0_SCL_M2/UART0_CTSN/UART1_TX_M2/HDMI_RX_SDA_M0/SPI0_CS0_M0/PCIE30X2_CLKREQN_M0/HDMI_TX0_CEC_M1/GPIO0_D1_u	PMU2_IOC_GPIO0D_IOMUX_SEL_L[7:4] = 4'h4
uart_rts_n	O	I2S1_SDI1_M1/NPU_AVS/UART0_RT SN/PWM5_M1/SPI0_CLK_M0/PCIE30X4_CLKREQN_M0/SATA_CP_POD/GPIO0_C6_u	PMU2_IOC_GPIO0C_IOMUX_SEL_H[11:8] = 4'h4
<b>IOMUX1</b>			
uart_rx	I	SPI2_CS1_M2/I2C1_SCL_M1/UART0_RX_M1/GPIO0_B0_z	PMU1_IOC_GPIO0B_IOMUX_SEL_L[3:0] = 4'h4
uart_tx	O	SPI2_CS0_M2/I2C1_SDA_M1/PWM5_M0/UART0_TX_M1/GPIO0_B1_z	PMU1_IOC_GPIO0B_IOMUX_SEL_L[7:4] = 4'h4
<b>IOMUX2</b>			
uart_rx	I	CIF_D4/BT1120_D4/PCIE30X1_0_WAKEN_M1/I2C3_SCL_M2/UART0_RX_M2/SPI2_MISO_M1/GPIO4_A4_d	BUS_IOC_GPIO4A_IOMUX_SEL_H[3:0] = 4'ha
uart_tx	O	CIF_D3/BT1120_D3/PCIE30X1_0_CLKREQN_M1/UART0_TX_M2/GPIO4_A3_d	BUS_IOC_GPIO4A_IOMUX_SEL_L[15:12] = 4'ha

Table 19-2 UART1 Interface Description

Module Pin	Direction	Pad Name	IOMUX Setting
<b>IOMUX0</b>			
uart_rx	I	GMAC0_TXD0/I2S2_MCLK_M0/I2C5_SCL_M4/UART1_RX_M0/GPIO2_B6_d	BUS_IOC_GPIO2B_IOMUX_SEL_H[11:8] = 4'ha
uart_tx	O	GMAC0_TXD1/I2S2_SCLK_M0/I2C5_SDA_M4/UART1_TX_M0/GPIO2_B7_d	BUS_IOC_GPIO2B_IOMUX_SEL_H[15:12] = 4'ha
uart_cts_n	I	GMAC0_RXD0/I2C2_SCL_M1/UART1_CTSN_M0/SPI1_MISO_M0/GPIO2_C1_d	BUS_IOC_GPIO2C_IOMUX_SEL_L[7:4] = 4'ha
uart_rts_n	O	GMAC0_TXEN/I2S2_LRCK_M0/I2C2_SDA_M1/UART1_RTSN_M0/SPI1_CLK_M0/GPIO2_C0_d	BUS_IOC_GPIO2C_IOMUX_SEL_L[3:0] = 4'ha
<b>IOMUX1</b>			

Module Pin	Direction	Pad Name	IOMUX Setting
uart_rx	I	MIPI_CAMERA2_CLK_M0/SPDIF1_TX_M0/PCIE30X2_PERSTN_M3/HDMI_RX_CEC_M2/SATA2_ACT_LED_M1/I2C5_SDA_M3/UART1_RX_M1/PWM13_M2/GPIO1_B7_u	BUS_IOC_GPIO1B_IOMUX_SEL_H[15:12] = 4'ha
uart_tx	O	MIPI_CAMERA1_CLK_M0/SPDIF0_TX_M0/PCIE30X2_WAKEN_M3/HDMI_RX_HPDOUT_M2/I2C5_SCL_M3/UART1_TX_M1/GPIO1_B6_d	BUS_IOC_GPIO1B_IOMUX_SEL_H[11:8] = 4'ha
uart_cts_n	I	MIPI_CAMERA4_CLK_M0/PCIE30X2_CLKREQN_M3/HDMI_RX_SDA_M2/I2C8_SDA_M2/UART1_CTSN_M1/PWM15_IR_M3/GPIO1_D7_u	BUS_IOC_GPIO1D_IOMUX_SEL_H[15:12] = 4'ha
uart_rts_n	O	MIPI_CAMERA3_CLK_M0/HDMI_RX_SCL_M2/I2C8_SCL_M2/UART1_RTSN_M1/PWM14_M2/GPIO1_D6_u	BUS_IOC_GPIO1D_IOMUX_SEL_H[11:8] = 4'ha
<b>IOMUX2</b>			
uart_rx	I	I2S1_SDO1_M1/I2C0_SDA_M2/UART1_RX_M2/HDMI_RX_SCL_M0/SPI3_MOSI_M2/PCIE30X2_WAKEN_M0/HDMI_TX1_CEC_M1/GPIO0_D2_u	BUS_IOC_GPIO0D_IOMUX_SEL_L[11:8] = 4'ha PMU2_IOC_GPIO0D_IOMUX_SEL_L[11:8] = 4'h8
uart_tx	O	I2S1_SDO0_M1/CPU_BIG0_AV5/I2C0_SCL_M2/UART0_CTSN/UART1_TX_M2/HDMI_RX_SDA_M0/SPI0_CS0_M0/PCIE30X2_CLKREQN_M0/HDMI_TX0_CEC_M1/GPIO0_D1_u	BUS_IOC_GPIO0D_IOMUX_SEL_L[7:4] = 4'ha PMU2_IOC_GPIO0D_IOMUX_SEL_L[7:4] = 4'h8
uart_cts_n	I	I2S1_SDI3_M1/PDM0_SDI1_M1/I2C6_SCL_M0/UART1_CTSN_M2/PWM7_IR_M0/SPI3_MISO_M2/PCIE30X4_PERSTN_M0/GPIO0_D0_d	BUS_IOC_GPIO0D_IOMUX_SEL_L[3:0] = 4'ha PMU2_IOC_GPIO0D_IOMUX_SEL_L[3:0] = 4'h8
uart_rts_n	O	I2S1_SDI2_M1/PDM0_SDI0_M1/I2C6_SDA_M0/UART1_RTSN_M2/PWM6_M0/SPI0_MISO_M0/PCIE30X4_WAKEN_M0/GPIO0_C7_d	BUS_IOC_GPIO0C_IOMUX_SEL_H[15:12] = 4'ha PMU2_IOC_GPIO0C_IOMUX_SEL_H[15:12] = 4'h8

Table 19-3 UART2 Interface Description

Module Pin	Direction	Pad Name	IOMUX Setting
<b>IOMUX0</b>			
uart_rx	I	I2S1_SCLK_M1/JTAG_TMS_M2/I2C1_SDA_M0/UART2_RX_M0/PCIE30X1_1_WAKEN_M0/GPIO0_B6_d	BUS_IOC_GPIO0B_IOMUX_SEL_H[11:8] = 4'ha PMU2_IOC_GPIO0B_IOMUX_SEL_H[11:8] = 4'h8
uart_tx	O	I2S1_MCLK_M1/JTAG_TCK_M2/I2C1_SCL_M0/UART2_TX_M0/PCIE30X1_1_CLKREQN_M0/GPIO0_B5_d	BUS_IOC_GPIO0B_IOMUX_SEL_H[7:4] = 4'ha PMU2_IOC_GPIO0B_IOMUX_SEL_H[7:4] = 4'ha
uart_cts_n	I	GMAC1_TXD1/I2S2_MCLK_M1/UART	BUS_IOC_GPIO3B_IOMUX



Module Pin	Direction	Pad Name	IOMUX Setting
		2_CTSN/GPIO3_B4_u	UX_SEL_H[3:0] = 4'ha
uart_rts_n	O	GMAC1_TXD0/I2S2_SDO_M1/UART2_RTSN/GPIO3_B3_u	BUS_IOC_GPIO3B_IOM UX_SEL_L[15:12] = 4'ha
<b>IOMUX1</b>			
uart_rx	I	SDMMC_D1/PDM1_SDI2_M0/JTAG_TMS_M1/I2C3_SDA_M4/UART2_RX_M1/PWM9_M1/GPIO4_D1_u	BUS_IOC_GPIO4D_IOM UX_SEL_L[7:4] = 4'ha
uart_tx	O	SDMMC_D0/PDM1_SDI3_M0/JTAG_TCK_M1/I2C3_SCL_M4/UART2_TX_M1/PWM8_M1/GPIO4_D0_u	BUS_IOC_GPIO4D_IOM UX_SEL_L[3:0] = 4'ha
<b>IOMUX2</b>			
uart_rx	I	GMAC1_TXER/I2S2_SDI_M1/UART2_RX_M2/PWM3_IR_M1/GPIO3_B2_d	BUS_IOC_GPIO3B_IOM UX_SEL_L[11:8] = 4'ha
uart_tx	O	GMAC1_RXDV_CRS/MIPI_CAMERA4_CLK_M1/UART2_TX_M2/PWM2_M1/GPIO3_B1_d	BUS_IOC_GPIO3B_IOM UX_SEL_L[7:4] = 4'ha

Table 19-4 UART3 Interface Description

Module Pin	Direction	Pad Name	IOMUX Setting
<b>IOMUX0</b>			
uart_rx	I	I2C3_SDA_M0/UART3_RX_M0/SPI4_MISO_M0/GPIO1_C0_z	BUS_IOC_GPIO1C_IOM UX_SEL_L[3:0] = 4'ha
uart_tx	O	I2C3_SCL_M0/UART3_TX_M0/SPI4_MOSI_M0/GPIO1_C1_z	BUS_IOC_GPIO1C_IOM UX_SEL_L[7:4] = 4'ha
uart_cts_n	I	I2S0_SCLK/I2C6_SCL_M1/UART3_CTSN/PWM7_IR_M2/SPI4_CS0_M0/GPIO1_C3_d	BUS_IOC_GPIO1C_IOM UX_SEL_L[15:12] = 4'ha
uart_rts_n	O	I2S0_MCLK/I2C6_SDA_M1/UART3_RTSN/PWM3_IR_M2/SPI4_CLK_M0/GPIO1_C2_d	BUS_IOC_GPIO1C_IOM UX_SEL_L[11:8] = 4'ha
<b>IOMUX1</b>			
uart_rx	I	GMAC1_MCLKINOUT/II2S2_LRCK_M1/CAN1_TX_M0/UART3_RX_M1/PWM13_M0/GPIO3_B6_d	BUS_IOC_GPIO3B_IOM UX_SEL_H[11:8] = 4'ha
uart_tx	O	GMAC1_TXEN/I2S2_SCLK_M1/CAN1_RX_M0/UART3_TX_M1/PWM12_M0/GPIO3_B5_u	BUS_IOC_GPIO3B_IOM UX_SEL_H[7:4] = 4'ha
<b>IOMUX2</b>			
uart_rx	I	CIF_D6/BT1120_D6/I2S1_SDI1_M0/PCIE30X2_CLKREQN_M1/I2C5_SCL_M2/UART3_RX_M2/SPI2_CLK_M1/GPIO4_A6_d	BUS_IOC_GPIO4A_IOM UX_SEL_H[11:8] = 4'ha
uart_tx	O	CIF_D5/BT1120_D5/I2S1_SDI0_M0/PCIE30X1_0_PERSTN_M1/I2C3_SDA_M2/UART3_TX_M2/SPI2_MOSI_M1/GPIO4_A5_d	BUS_IOC_GPIO4A_IOM UX_SEL_H[7:4] = 4'ha

Table 19-5 UART4 Interface Description

Module Pin	Direction	Pad Name	IOMUX Setting
<b>IOMUX0</b>			
uart_rx	I	I2S0_SDI1/PDM0_SDI3_M0/I2C1_SDA_M4/UART4_RX_M0/PWM1_M1/SPI1_CS0_M2/GPIO1_D3_d	BUS_IOC_GPIO1D_IOMUX_SEL_L[15:12] = 4'ha
uart_tx	O	I2S0_SDO3/I2S0_SDI2/PDM0_SDI2_M0/I2C1_SCL_M4/UART4_TX_M0/PWM0_M1/SPI1_CLK_M2/GPIO1_D2_d	BUS_IOC_GPIO1D_IOMUX_SEL_L[11:8] = 4'ha
uart_cts_n	I	I2S0_SDO0/I2C4_SCL_M4/UART4_CTSN/GPIO1_C7_d	BUS_IOC_GPIO1C_IOMUX_SEL_H[15:12] = 4'ha
uart_rts_n	O	I2S0_LRCK/I2C2_SCL_M3/UART4_RTSN/GPIO1_C5_d	BUS_IOC_GPIO1C_IOMUX_SEL_H[7:4] = 4'ha
<b>IOMUX1</b>			
uart_rx	I	CIF_D12/PCIE20X1_2_WAKEN_M0/HDMI_TX0_SDA_M2/I2C5_SDA_M0/UART4_RX_M1/PWM8_M2/SPI3_CLK_M3/GPIO3_D0_u	BUS_IOC_GPIO3D_IOMUX_SEL_L[3:0] = 4'ha
uart_tx	O	CIF_D13/PCIE20X1_2_PERSTN_M0/HDMI_RX_CEC_M1/UART4_TX_M1/PWM9_M2/SPI0_MISO_M3/GPIO3_D1_d	BUS_IOC_GPIO3D_IOMUX_SEL_L[7:4] = 4'ha
<b>IOMUX2</b>			
uart_rx	I	PDM1_SDI3_M1/PCIE30X4_PERSTN_M3/UART4_RX_M2/SPI0_MOSI_M2/GPIO1_B2_d	BUS_IOC_GPIO1B_IOMUX_SEL_L[11:8] = 4'ha
uart_tx	O	PDM1_CLK1_M1/PCIE30X1_0_WAKEN_M2/SATA0_ACT_LED_M1/UART4_TX_M2/SPI0_CLK_M2/GPIO1_B3_d	BUS_IOC_GPIO1B_IOMUX_SEL_L[15:12] = 4'ha

Table 19-6 UART5 Interface Description

Module Pin	Direction	Pad Name	IOMUX Setting
<b>IOMUX0</b>			
uart_rx	I	SDMMC_CMD/PDM1_CLK1_M0/MCU_JTAG_TCK_M0/CAN0_TX_M1/UART5_RX_M0/PWM7_IR_M1/GPIO4_D4_u	BUS_IOC_GPIO4D_IOMUX_SEL_H[3:0] = 4'ha
uart_tx	O	SDMMC_CLK/PDM1_CLK0_M0/TEST_CLKOUT_M0/MCU_JTAG_TMS_M0/CAN0_RX_M1/UART5_TX_M0/GPIO4_D5_d	BUS_IOC_GPIO4D_IOMUX_SEL_H[7:4] = 4'ha
uart_cts_n	I	SDMMC_D2/PDM1_SDI1_M0/JTAG_TCK_M0/I2C8_SCL_M0/UART5_CTSN_M0/GPIO4_D2_u	BUS_IOC_GPIO4D_IOMUX_SEL_L[11:8] = 4'ha
uart_rts_n	O	SDMMC_D3/PDM1_SDI0_M0/JTAG_TMS_M0/I2C8_SDA_M0/UART5_RTSN_M0/PWM10_M1/GPIO4_D3_u	BUS_IOC_GPIO4D_IOMUX_SEL_L[15:12] = 4'ha
<b>IOMUX1</b>			
uart_rx	I	CIF_D9/FSPI_CS1N_M2/PCIE30X4_WAKEN_M2/HDMI_TX1_SDA_M1/CAN2_TX_M0/UART5_RX_M1/SPI3_CS1_M3/GPIO3_C5_u	BUS_IOC_GPIO3C_IOMUX_SEL_H[7:4] = 4'ha
uart_tx	O	CIF_D8/FSPI_CS0N_M2/PCIE30X4_CLKREQN_M2/HDMI_TX1_CEC_M2/CAN2_RX_M0/UART5_TX_M1/SPI3_CS0_M3/GPIO3_C4_u	BUS_IOC_GPIO3C_IOMUX_SEL_H[3:0] = 4'ha

Module Pin	Direction	Pad Name	IOMUX Setting
uart_cts_n	I	EMMC_DATA_STROBE/I2C2_SDA_M2/UART5_CTSN_M1/GPIO2_A2_d	BUS_IOC_GPIO2A_IOMUX_SEL_L[11:8] = 4'ha
uart_rts_n	O	EMMC_RSTN/I2C2_SCL_M2/UART5_RTSN_M1/GPIO2_A3_d	BUS_IOC_GPIO2A_IOMUX_SEL_L[15:12] = 4'ha
<b>IOMUX2</b>			
uart_rx	I	EMMC_D4/I2C1_SCL_M3/UART5_RX_M2/GPIO2_D4_u	BUS_IOC_GPIO2D_IOMUX_SEL_H[3:0] = 4'ha
uart_tx	O	EMMC_D5/I2C1_SDA_M3/UART5_TX_M2/GPIO2_D5_u	BUS_IOC_GPIO2D_IOMUX_SEL_H[7:4] = 4'ha

Table 19-7 UART6 Interface Description

Module Pin	Direction	Pad Name	IOMUX Setting
<b>IOMUX0</b>			
uart_rx	I	GMAC0_RXD2/SDIO_D0_M0/FSPI_D0_M1/UART6_RX_M0/GPIO2_A6_u	BUS_IOC_GPIO2A_IOMUX_SEL_H[11:8] = 4'ha
uart_tx	O	GMAC0_RXD3/SDIO_D1_M0/FSPI_D1_M1/UART6_TX_M0/GPIO2_A7_u	BUS_IOC_GPIO2A_IOMUX_SEL_H[15:12] = 4'ha
uart_cts_n	I	GMAC0_TXD2/SDIO_D3_M0/FSPI_D3_M1/I2C8_SDA_M1/UART6_CTSN_M0/GPIO2_B1_u	BUS_IOC_GPIO2B_IOMUX_SEL_L[7:4] = 4'ha
uart_rts_n	O	GMAC0_RXCLK/SDIO_D2_M0/FSPI_D2_M1/I2C8_SCL_M1/UART6_RTSN_M0/GPIO2_B0_u	BUS_IOC_GPIO2B_IOMUX_SEL_L[3:0] = 4'ha
<b>IOMUX1</b>			
uart_rx	I	PCIE30X1_1_CLKREQN_M2/DP0_HPDI_N_M2/I2C2_SDA_M4/UART6_RX_M1/SPI4_MISO_M2/GPIO1_A0_d	BUS_IOC_GPIO1A_IOMUX_SEL_L[3:0] = 4'ha
uart_tx	O	PCIE30X1_1_WAKEN_M2/DP1_HPDI_N_M2/SATA1_ACT_LED_M1/I2C2_SCL_M4/UART6_TX_M1/SPI4_MOSI_M2/GPIO1_A1_d	BUS_IOC_GPIO1A_IOMUX_SEL_L[7:4] = 4'ha
uart_cts_n	I	HDMI_TX1_SDA_M2/I2C4_SCL_M3/UART6_CTSN_M1/PWM1_M2/SPI4_CS0_M2/GPIO1_A3_d	BUS_IOC_GPIO1A_IOMUX_SEL_L[15:12] = 4'ha
uart_rts_n	O	VOP_POST_EMPTY/I2C4_SDA_M3/UART6_RTSN_M1/PWM0_M2/SPI4_CLK_M2/GPIO1_A2_d	BUS_IOC_GPIO1A_IOMUX_SEL_L[11:8] = 4'ha
<b>IOMUX2</b>			
uart_rx	I	I2S0_SDO2/I2S0_SDI3/PDM0_SDI1_M0/I2C7_SDA_M0/UART6_RX_M2/SPI1_MOSI_M2/GPIO1_D1_d	BUS_IOC_GPIO1D_IOMUX_SEL_L[7:4] = 4'ha
uart_tx	O	I2S0_SDO1/I2C7_SCL_M0/UART6_TX_M2/SPI1_MISO_M2/GPIO1_D0_d	BUS_IOC_GPIO1D_IOMUX_SEL_L[3:0] = 4'ha

Table 19-8 UART7 Interface Description

Module Pin	Direction	Pad Name	IOMUX Setting
<b>IOMUX0</b>			
uart_rx	I	GMAC0_PTP_REFCLK/FSPI_CS0N_M1/HDMI_TX1_SDA_M0/I2C4_SDA_M1/	BUS_IOC_GPIO2B_IOMUX_SEL_H[3:0] = 4'ha

Module Pin	Direction	Pad Name	IOMUX Setting
		UART7_RX_M0/GPIO2_B4_u	
uart_tx	O	GMAC0_PPSTRING/FSPI_CS1N_M1/HDMI_TX1_SCL_M0/I2C4_SCL_M1/UART7_TX_M0/GPIO2_B5_u	BUS_IOC_GPIO2B_IOMUX_SEL_H[7:4] = 4'ha
uart_cts_n	I	GMAC0_TXER/I2C0_SDA_M1/UART7_CTSN_M0/PWM7_IR_M3/SPI3_CLK_M0/GPIO4_C6_d	BUS_IOC_GPIO4C_IOMUX_SEL_H[11:8] = 4'ha
uart_rts_n	O	GMAC0_RXDV_CRS/UART7_RTSN_M0/PWM2_M2/SPI3_CS0_M0/GPIO4_C2_d	BUS_IOC_GPIO4C_IOMUX_SEL_L[11:8] = 4'ha
<b>IOMUX1</b>			
uart_rx	I	GMAC1_PPSCCLK/PCIE30X2_BUTTON_RSTN/UART7_RX_M1/SPI1_CLK_M1/GPIO3_C1_d	BUS_IOC_GPIO3C_IOMUX_SEL_L[7:4] = 4'ha
uart_tx	O	GMAC1_PPSTRIG/I2C3_SDA_M1/UART7_TX_M1/SPI1_MISO_M1/GPIO3_C0_d	BUS_IOC_GPIO3C_IOMUX_SEL_L[3:0] = 4'ha
uart_cts_n	I	GMAC1_MDIO/MIPI_TE1/I2C8_SDA_M4/UART7_CTSN_M1/PWM15_IR_M0/SPI1_CS1_M1/GPIO3_C3_d	BUS_IOC_GPIO3C_IOMUX_SEL_L[15:12] = 4'ha
uart_rts_n	O	GMAC1_MDC/MIPI_TE0/I2C8_SCL_M4/UART7_RTSN_M1/PWM14_M0/SPI1_CS0_M1/GPIO3_C2_d	BUS_IOC_GPIO3C_IOMUX_SEL_L[11:8] = 4'ha
<b>IOMUX2</b>			
uart_rx	I	PDM1_CLK0_M1/PCIE30X1_0_PERSTN_M2/UART7_RX_M2/SPI0_CS0_M2/GPIO1_B4_u	BUS_IOC_GPIO1B_IOMUX_SEL_H[3:0] = 4'ha
uart_tx	O	PCIE30X1_0_CLKREQN_M2/UART7_TX_M2/SPI0_CS1_M2/GPIO1_B5_u	BUS_IOC_GPIO1B_IOMUX_SEL_H[7:4] = 4'ha

Table 19-9 UART8 Interface Description

Module Pin	Direction	Pad Name	IOMUX Setting
<b>IOMUX0</b>			
uart_rx	I	MIPI_CAMERA0_CLK_M0/SPDIF1_TX_M1/I2S1_SDO0_M0/PCIE30X1_0_BUTTON_RSTN/SATA2_ACT_LED_M0/I2C6_SCL_M3/UART8_RX_M0/SPI0_CS1_M1/GPIO4_B1_u	BUS_IOC_GPIO4B_IOMUX_SEL_L[7:4] = 4'ha
uart_tx	O	CIF_CLKIN/BT1120_CLKOUT/I2S1_SDI3_M0/PCIE30X2_PERSTN_M1/I2C6_SDA_M3/UART8_TX_M0/SPI2_CS1_M1/GPIO4_B0_d	BUS_IOC_GPIO4B_IOMUX_SEL_L[3:0] = 4'ha
uart_cts_n	I	CIF_VSYNC/BT1120_D9/I2S1_SDO2_M0/PCIE20X1_2_BUTTON_RSTN/I2C7_SDA_M3/UART8_CTSN_M0/PWM15_IR_M1/CAN1_TX_M1/GPIO4_B3_u	BUS_IOC_GPIO4B_IOMUX_SEL_L[15:12] = 4'ha
uart_rts_n	O	CIF_HREF/BT1120_D8/I2S1_SDO1_M0/PCIE30X1_1_BUTTON_RSTN/I2C7_SCL_M3/UART8_RTSN_M0/PWM14_M1/SPI0_CS0_M1/CAN1_RX_M1/GPIO4_B2_u	BUS_IOC_GPIO4B_IOMUX_SEL_L[11:8] = 4'ha
<b>IOMUX1</b>			

Module Pin	Direction	Pad Name	IOMUX Setting
uart_rx	I	GMAC1_RXD3/SDIO_D3_M1/I2S3_SDO/AUDDSM_RN/FSPI_D3_M2/UART8_RX_M1/SPI4_CS0_M1/GPIO3_A3_u	BUS_IOC_GPIO3A_IOMUX_SEL_L[15:12] = 4'ha
uart_tx	O	GMAC1_RXD2/SDIO_D2_M1/I2S3_LRCK/AUDDSM_LP/FSPI_D2_M2/UART8_TX_M1/SPI4_CLK_M1/GPIO3_A2_u	BUS_IOC_GPIO3A_IOMUX_SEL_L[11:8] = 4'ha
uart_cts_n	I	GMAC1_RXCLK/SDIO_CLK_M1/MIPI_CAMERA0_CLK_M1/FSPI_CLK_M2/I2C4_SDA_M0/UART8_CTSN_M1/GPIO3_A5_d	BUS_IOC_GPIO3A_IOMUX_SEL_H[7:4] = 4'ha
uart_rts_n	O	GMAC1_TXCLK/SDIO_CMD_M1/I2S3_SDI/AUDDSM_RP/UART8_RTSN_M1/SPI4_CS1_M1/GPIO3_A4_d	BUS_IOC_GPIO3A_IOMUX_SEL_H[3:0] = 4'ha

Table 19-10 UART9 Interface Description

Module Pin	Direction	Pad Name	IOMUX Setting
<b>IOMUX0</b>			
uart_rx	I	GMAC0_PPSCCLK/TEST_CLKOUT_M1/HDMI_TX1_CEC_M0/UART9_RX_M0/SPI1_CS1_M0/GPIO2_C4_d	BUS_IOC_GPIO2C_IOMUX_SEL_H[3:0] = 4'ha
uart_tx	O	GMAC0_RXD1/I2C6_SDA_M2/UART9_TX_M0/SPI1_MOSI_M0/GPIO2_C2_d	BUS_IOC_GPIO2C_IOMUX_SEL_L[11:8] = 4'ha
uart_cts_n	I	GMAC0_MDIO/I2C0_SCL_M1/UART9_CTSN_M0/PWM6_M2/SPI3_MOSI_M0/GPIO4_C5_d	BUS_IOC_GPIO4C_IOMUX_SEL_H[7:4] = 4'ha
uart_rts_n	O	GMAC0_MDC/I2C7_SDA_M1/UART9_RTSN_M0/PWM5_M2/SPI3_MISO_M0/GPIO4_C4_d	BUS_IOC_GPIO4C_IOMUX_SEL_H[3:0] = 4'ha
<b>IOMUX1</b>			
uart_rx	I	BT1120_D11/PCIE30X4_WAKEN_M1/HDMI_RX_CEC_M0/SATA1_ACT_LED_M0/UART9_RX_M1/PWM12_M1/SPI3_MISO_M1/GPIO4_B5_d	BUS_IOC_GPIO4B_IOMUX_SEL_H[7:4] = 4'ha
uart_tx	O	CIF_CLKOUT/BT1120_D10/I2S1_SDO3_M0/PCIE30X4_CLKREQN_M1/DP0_HPDIN_M0/SPDIF0_TX_M1/UART9_TX_M1/PWM11_IR_M1/GPIO4_B4_u	BUS_IOC_GPIO4B_IOMUX_SEL_H[3:0] = 4'ha
uart_cts_n	I	CIF_D1/BT1120_D1/I2S1_SCLK_M0/PCIE30X1_1_WAKEN_M1/UART9_CTSN_M1/SPI0_MOSI_M1/GPIO4_A1_d	BUS_IOC_GPIO4A_IOMUX_SEL_L[7:4] = 4'ha
uart_rts_n	O	CIF_D0/BT1120_D0/I2S1_MCLK_M0/PCIE30X1_1_CLKREQN_M1/UART9_RTSN_M1/SPI0_MISO_M1/GPIO4_A0_d	BUS_IOC_GPIO4A_IOMUX_SEL_L[3:0] = 4'ha
<b>IOMUX2</b>			
uart_rx	I	HDMI_TX0_HPD_M1/PCIE30X2_PERS_TN_M2/HDMI_RX_HPDOUT_M1/MCU_JTAG_TCK_M1/UART9_RX_M2/SPI0_CS0_M3/GPIO3_D4_d	BUS_IOC_GPIO3D_IOMUX_SEL_H[3:0] = 4'ha
uart_tx	O	PCIE30X4_BUTTON_RSTN/DP1_HPDI	BUS_IOC_GPIO3D_IOMUX

Module Pin	Direction	Pad Name	IOMUX Setting
		N_M0/MCU_JTAG_TMS_M1/UART9_TX_M2/PWM11_IR_M3/SPI0_CS1_M3/GPIO3_D5_d	UX_SEL_H[7:4] = 4'ha
uart_cts_n	I	CIF_D15/PCIE30X2_WAKEN_M2/HDMI_RX_SDA_M1/I2C7_SDA_M2/UART9_CTSN_M2/PWM10_M2/SPI0_CLK_M3/GPIO3_D3_d	BUS_IOC_GPIO3D_IOMUX_SEL_L[15:12] = 4'ha
uart_rts_n	O	CIF_D14/PCIE30X2_CLKREQN_M2/HDMI_RX_SCL_M1/I2C7_SCL_M2/UART9_RTSN_M2/SPI0_MOSI_M3/GPIO3_D2_d	BUS_IOC_GPIO3D_IOMUX_SEL_L[11:8] = 4'ha

Notes: **I**=input, **O**=output, **I/O**=input/output, bidirectional.

## 19.6 Application Notes

### 19.6.1 None FIFO Mode Transfer Flow

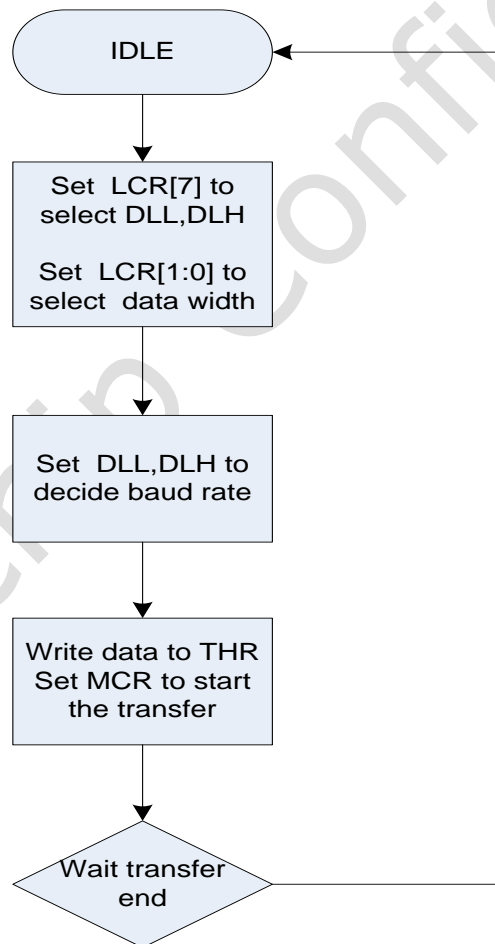


Fig. 19-7 UART none fifo mode

### 19.6.2 FIFO Mode Transfer Flow

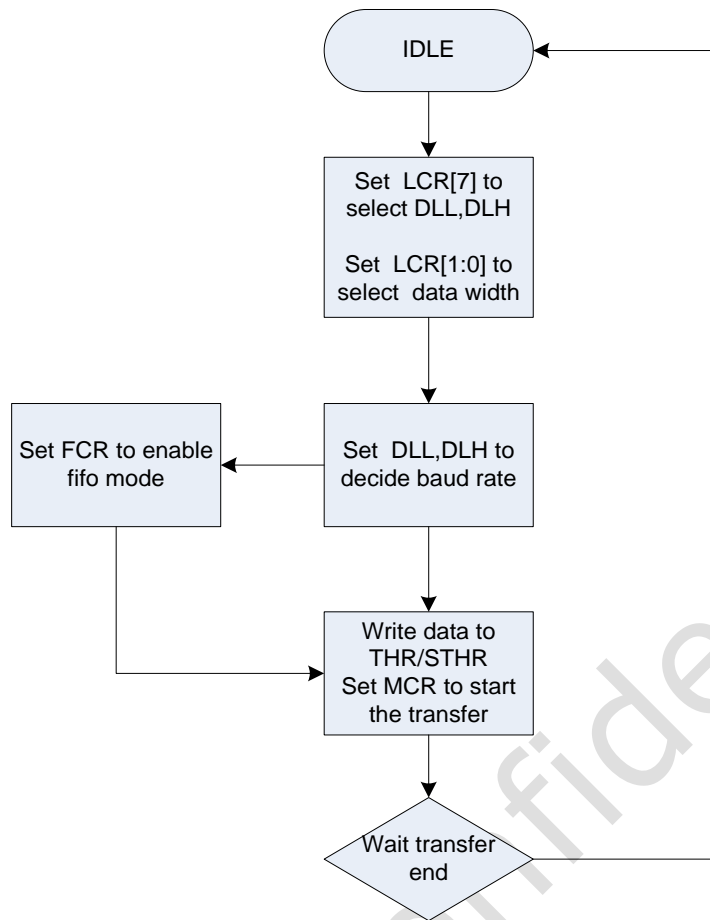


Fig. 19-8 UART fifo mode

The UART is an APB slave performing: Serial-to-parallel conversion on data received from a peripheral device. Parallel-to-serial conversion on data transmitted to the peripheral device. The CPU reads and writes data and control/status information through the APB interface. The transmitting and receiving paths are buffered with internal FIFO memories enabling up to 64-bytes to be stored independently in both transmit and receive modes. A baud rate generator can generate a common transmit and receive internal clock input. The baud rates will depend on the internal clock frequency. The UART will also provide transmit, receive and exception interrupts to system. A DMA interface is implemented for improving the system performance.

### 19.6.3 Baud Rate Calculation

#### UART clock generation

The following figures shows the UART clock generation. UARTs source clocks can be selected from different PLL outputs. UART clocks can be generated by 1 to 64 division of its source clock, or can be fractionally divided again, or be provided by XIN24M.

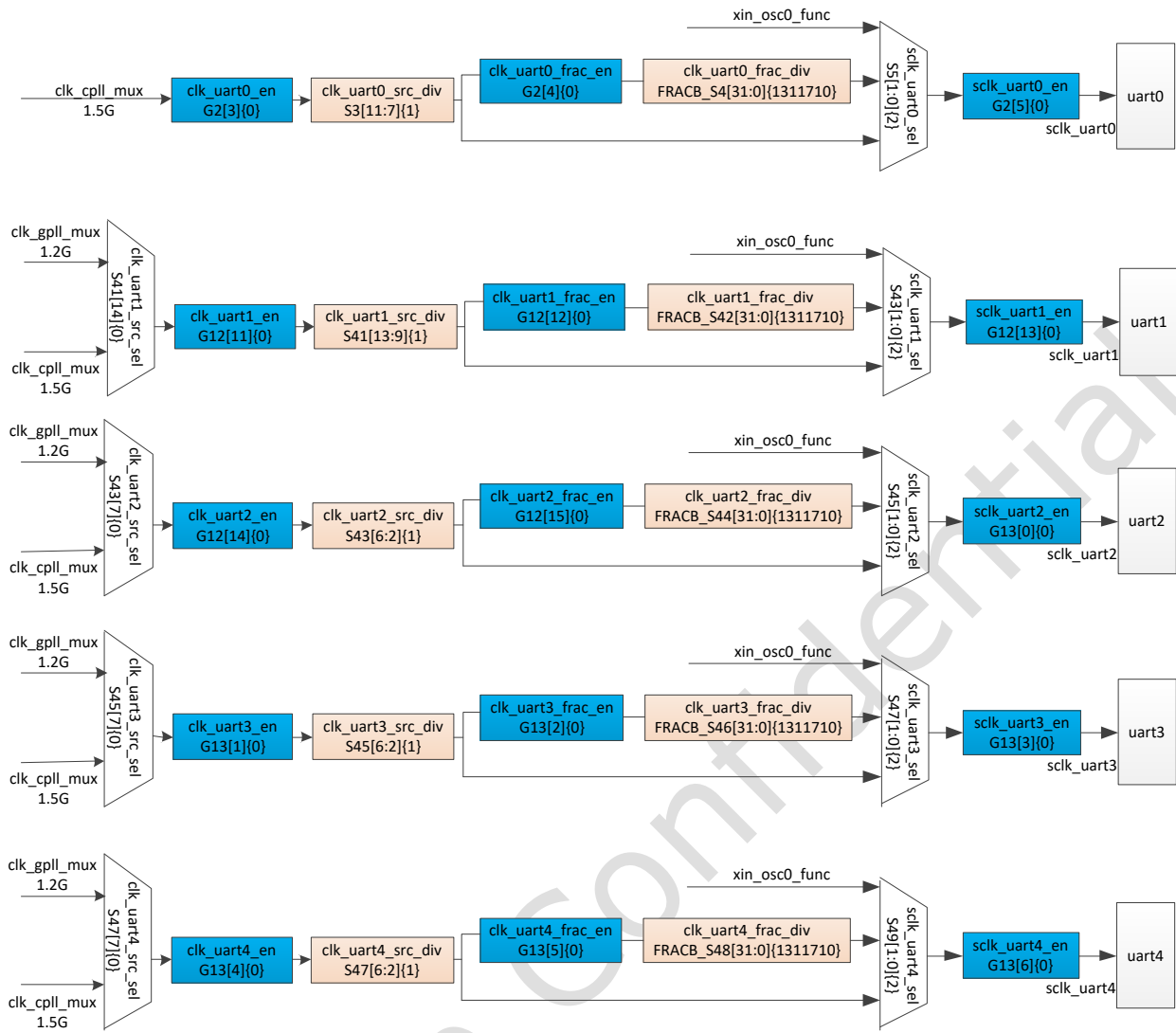


Fig. 19-9 UART0-UART4 clock generation



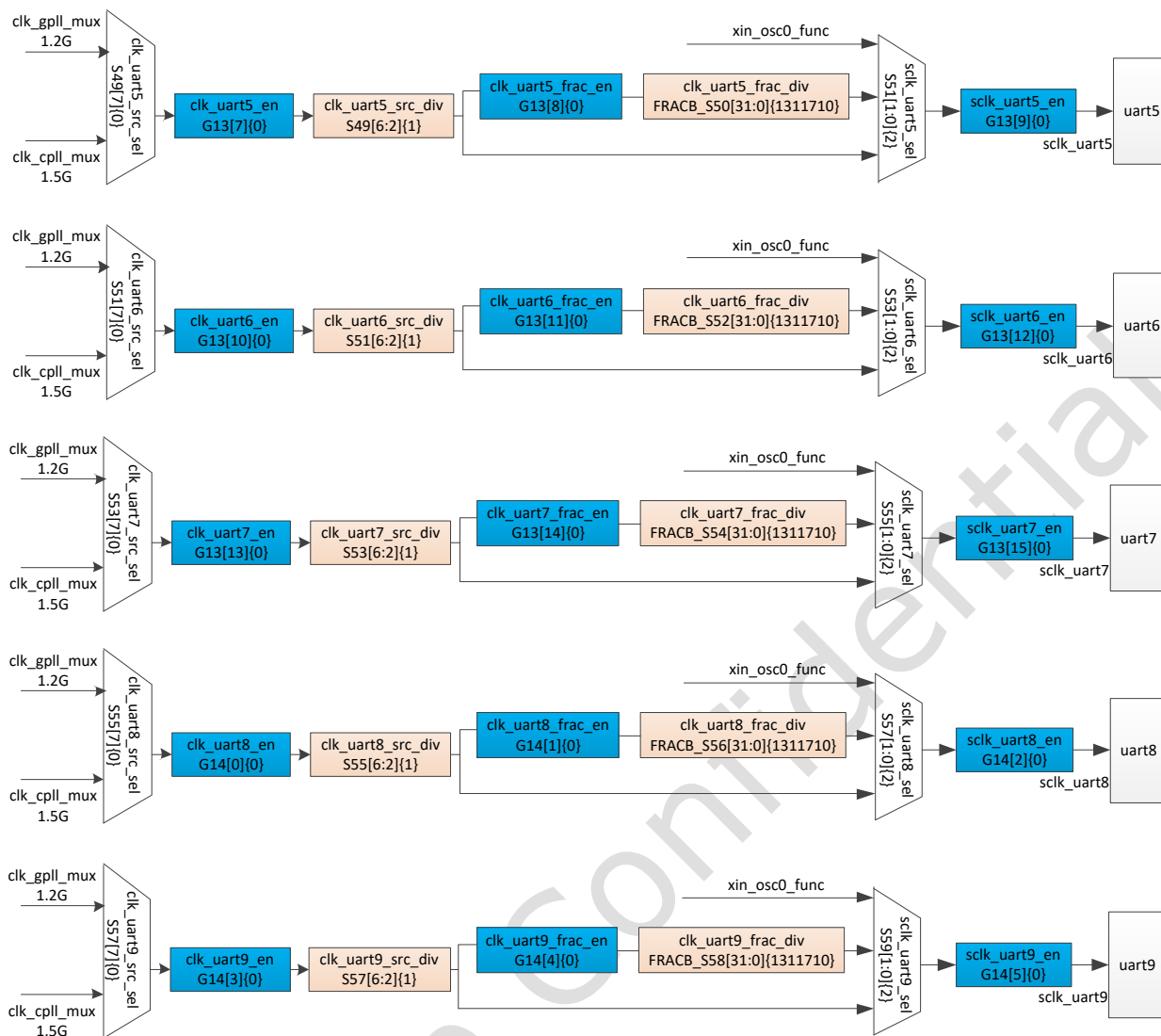


Fig. 19-10 UART5-UART9 clock generation

### UART baud rate configuration

The following table provides some reference configuration for different UART baud rates.

Table 19-11 UART baud rate configuration

Baud Rate	Reference Configuration
115.2 Kbps	Configure PLL to get 648MHz clock output; Divide 648MHz clock by 1152/50625 to get 14.7456MHz clock; Configure UART_DLL to 8.
460.8 Kbps	Configure PLL to get 648MHz clock output; Divide 648MHz clock by 1152/50625 to get 14.7456MHz clock; Configure UART_DLL to 2.
921.6 Kbps	Configure PLL to get 648MHz clock output; Divide 648MHz clock by 1152/50625 to get 14.7456MHz clock; Configure UART_DLL to 1.
1.5 Mbps	Choose PLL to get 384MHz clock output; Divide 384MHz clock by 16 to get 24MHz clock; Configure UART_DLL to 1.
3 Mbps	Choose PLL to get 384MHz clock output; Divide 384MHz clock by 8 to get 48MHz clock; Configure UART_DLL to 1.
4 Mbps	Configure PLL to get 384MHz clock output; Divide 384MHz clock by 6 to get 64MHz clock; Configure UART_DLL to 1.

## Chapter 20 GPIO

### 20.1 Overview

GPIO is a programmable General Purpose Programming I/O peripheral. This component is an APB slave device. GPIO controls the output data and direction of external I/O pads. It can also read back the data on external pads using memory-mapped registers.

GPIO supports the following features:

- 32 bits APB data bus width
- Up to 32 independently configurable signals
- Software control registers with write mask for each bit of each signal
- Configurable debounce logic with a slow clock to debounce interrupts
- Configurable interrupt mode
- Two virtual OS with independent control registers can be supported
- In two virtual OS model, each OS has independent interrupt
- Not in two virtual OS model, two interrupts with priority can be set

### 20.2 Block Diagram

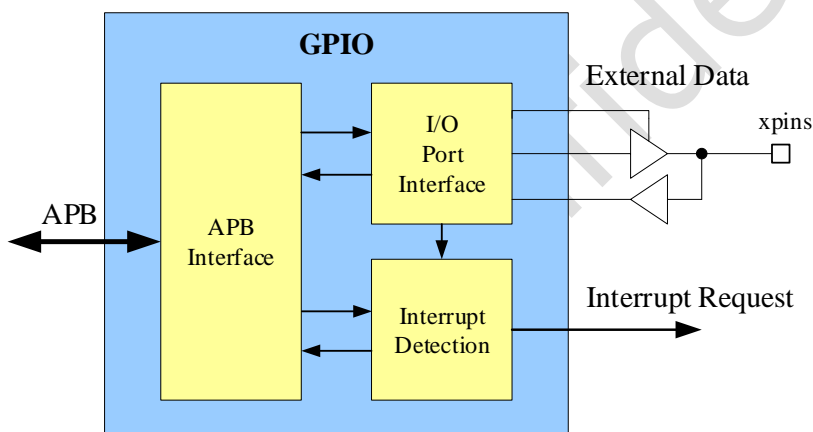


Fig. 20-1 GPIO Block Diagram

GPIO is comprised of:

- APB Interface

The APB Interface implements the APB slave operation. Its data bus width is 32 bits.

- I/O Port Interface

External data interface to or from I/O pads.

- Interrupt Detection

Interrupt interface to or from interrupt controller.

### 20.3 Function Description

#### 20.3.1 Data Control

Under software control, the data and direction control for the signal are sourced from the port data registers (GPIO\_SWPORT\_DR\_L/GPIO\_SWPORT\_DR\_H) and direction control registers (GPIO\_SWPORT\_DDR\_L/GPIO\_SWPORT\_DRR\_H).

The direction of the external I/O pad is controlled by the value of the port data direction registers. The data written to these memory-mapped registers gets mapped onto an output signal (gpio\_port\_dds) of the GPIO peripheral. This output signal controls the direction of an external I/O pad. The default data direction is Input.

The data written to the port data registers drives the output buffer (gpio\_port\_dr) of the I/O pad.

External data are input on the external data signal (gpio\_ext\_port). Reading the external signal register (GPIO\_EXT\_PORT) shows the value of this signal, regardless of the direction. This register is read-only, meaning that it cannot be written from the APB software interface.

### **20.3.2 Interrupts**

I/O port can be programmed to accept external signals as interrupt sources on any of the bits of the signal. The type of interrupt is programmable with one of the following settings:

- Active-high and level
- Active-low and level
- Rising edge
- Falling edge
- Both the rising edge and the falling edge

The interrupts can be masked by programming the GPIO\_INT\_MASK\_L/GPIO\_INT\_MASK\_H registers. The interrupt status can be read before masking (GPIO\_INT\_RAWSTATUS) and after masking (GPIO\_INT\_STATUS).

For edge-sensitive interrupts, the Interrupt Service Routine (ISR) can clear the interrupt by writing a 1 to the corresponding bit of the GPIO\_PORT\_EOI\_L/GPIO\_PORT\_EOI\_H registers. This write operation also clears the interrupt status and raw status registers. Writing to the interrupt clear registers has no effect on level-sensitive interrupts. If level-sensitive interrupts cause the processor to interrupt, then the ISR can poll the interrupt raw status register until the interrupt source disappears, or it can write to the interrupt mask register to mask the interrupt before exiting the ISR. If the ISR exits without masking or disabling the interrupt prior to exiting, then the level-sensitive interrupt repeatedly requests an interrupt until the interrupt is cleared at the source.

The interrupts are combined into an active-high interrupt output signal. In order to mask the combined interrupt, all individual interrupts have to be masked. The single combined interrupt does not have its own mask bit.

Whenever I/O port is configured for interrupts, the data direction must be set to Input. If the data direction is reprogrammed to Output, then any pending edge-sensitive interrupts are not lost. However, no new interrupts are generated, and level-sensitive interrupts are lost.

Interrupt signals are internally synchronized to a system clock pclk\_intr, which is connected to the APB bus clock pclk. Therefore, the pclk needs to be running for interrupt detection.

### **20.3.3 Debounce Operation**

The external signal can be debounced to remove any spurious glitches that are less than one period of the external debouncing clock.

When an input interrupt signal is debounced using a slow debounce clock (external input clock dbclk or internal divided clock dbclk\_div), the signal must be active for a minimum of two cycles of the debounce clock to guarantee that it is registered. Any input pulse widths less than a debounce clock period are bounced. A pulse width between one and two debounce clock widths may or may not propagate, depending on its phase relationship to the debounce clock. If the input pulse spans two rising edges of the debounce clock, it is registered. If it spans only one rising edge, it is not registered.

The debounce function can be controlled by programming the debounce enable registers (GPIO\_DEBOUNCE\_L/GPIO\_DEBOUNCE\_H), debounce clock divide enable registers (GPIO\_DBCLK\_DIV\_EN\_L/GPIO\_DBCLK\_DIV\_EN\_H) and debounce clock divide control register (GPIO\_DBCLK\_DIV\_CON).

### **20.3.4 Two OS Operation and Two Interrupts**

To select this model, virtual enable register should be set(GPIO\_VIRTUAL\_EN). Then all the configure can be allotted to two OS (for example OS\_A and OS\_B). OS\_A will use the original address offset, OS\_B will use the offset + 0x1000. The 32 bit I/O port should also be allotted to the OS by setting reg group registers(GPIO\_REG\_GROUP\_L and GPIO\_REG\_GROUP\_H). Once reg group is set, the I/O operation can only be used by the setting address offset. Each OS has its own interrupt for I/O port, this is depended on reg group.

If virtual enable register is disable, reg group can also be used to allotted I/O interrupt. These two independent interrupts may be used for priority interrupt setting.

## **20.4 Register Description**

This section describes the control/status registers of the design. Software should read and

write these registers using 32-bits accesses. There are five GPIOs (GPIO0 in PD\_PMU, GPIO1/GPIO2/GPIO3/GPIO4 in PD\_BUS), and each of them has same register group. Therefore, five GPIOs' register groups have five different base addresses.

**20.4.1 Registers Summary**

Name	Offset	Size	Reset Value	Description
<u>GPIO SWPORT DR L</u>	0x0000	W	0x00000000	Port Data Register (Low)
<u>GPIO SWPORT DR H</u>	0x0004	W	0x00000000	Port Data Register (High)
<u>GPIO SWPORT DDR L</u>	0x0008	W	0x00000000	Port Data Direction Register (Low)
<u>GPIO SWPORT DDR H</u>	0x000C	W	0x00000000	Port Data Direction Register (High)
<u>GPIO INT EN L</u>	0x0010	W	0x00000000	Interrupt Enable Register (Low)
<u>GPIO INT EN H</u>	0x0014	W	0x00000000	Interrupt Enable Register (High)
<u>GPIO INT MASK L</u>	0x0018	W	0x00000000	Interrupt Mask Register (Low)
<u>GPIO INT MASK H</u>	0x001C	W	0x00000000	Interrupt Mask Register (High)
<u>GPIO INT TYPE L</u>	0x0020	W	0x00000000	Interrupt Level Register (Low)
<u>GPIO INT TYPE H</u>	0x0024	W	0x00000000	Interrupt Level Register (High)
<u>GPIO INT POLARITY L</u>	0x0028	W	0x00000000	Interrupt Polarity Register (Low)
<u>GPIO INT POLARITY H</u>	0x002C	W	0x00000000	Interrupt Polarity Register (High)
<u>GPIO INT BOTHEDGE L</u>	0x0030	W	0x00000000	Interrupt Both Edge Type Register (Low)
<u>GPIO INT BOTHEDGE H</u>	0x0034	W	0x00000000	Interrupt Both Edge Type Register (High)
<u>GPIO DEBOUNCE L</u>	0x0038	W	0x00000000	Debounce Enable Register (Low)
<u>GPIO DEBOUNCE H</u>	0x003C	W	0x00000000	Debounce Enable Register (High)
<u>GPIO DBCLK DIV EN L</u>	0x0040	W	0x00000000	DBCLK Divide Enable Register (Low)
<u>GPIO DBCLK DIV EN H</u>	0x0044	W	0x00000000	DBCLK Divide Enable Register (High)
<u>GPIO DBCLK DIV CON</u>	0x0048	W	0x00000001	DBCLK Divide Control Register
<u>GPIO INT STATUS</u>	0x0050	W	0x00000000	Interrupt Status Register
<u>GPIO INT RAWSTATUS</u>	0x0058	W	0x00000000	Interrupt Raw Status Register
<u>GPIO PORT EOI L</u>	0x0060	W	0x00000000	Interrupt Clear Register (Low)
<u>GPIO PORT EOI H</u>	0x0064	W	0x00000000	Interrupt Clear Register (High)
<u>GPIO EXT PORT</u>	0x0070	W	0x00000000	External Port Data Register
<u>GPIO VER ID</u>	0x0078	W	0x0101157C	Version ID Register
<u>GPIO GPIO REG GROUP L</u>	0x0100	W	0x00000000	GPIO Group Control
<u>GPIO GPIO REG GROUP H</u>	0x0104	W	0x0000FFFF	GPIO Group Control
<u>GPIO GPIO VIRTUAL EN</u>	0x0108	W	0x00000000	GPIO Virtual Enable

Notes: **Size: B**- Byte (8 bits) access, **HW**- Half WORD (16 bits) access, **W**-WORD (32 bits) access, **DW**- Double WORD (64 bits) access **WORD** (64 bits) access

**20.4.2 Detail Registers Description**

**GPIO SWPORT DR L**

Address: Operational Base + offset (0x0000)

Bit	Attr	Reset Value	Description
31:16	WO	0x0000	write_mask Write enable for lower 16 bits, each bit is individual. 1'b0: Write access disable 1'b1: Write access enable

Bit	Attr	Reset Value	Description
15:0	RW	0x0000	swport_dr_low Output data for the lower 16 bits of I/O Port, each bit is individual. 1'b0: Low 1'b1: High Values written to this register are output on the I/O signals for the lower 16 bits of I/O Port if the corresponding data direction bits for I/O Port are set to Output mode. The value read back is equal to the last value written to this register.

**GPIO SWPORT DR H**

Address: Operational Base + offset (0x0004)

Bit	Attr	Reset Value	Description
31:16	WO	0x0000	write_mask Write enable for lower 16 bits, each bit is individual. 1'b0: Write access disable 1'b1: Write access enable
15:0	RW	0x0000	swport_dr_high Output data for the upper 16 bits of I/O Port, each bit is individual. 1'b0: Low 1'b1: High Values written to this register are output on the I/O signals for the upper 16 bits of I/O Port if the corresponding data direction bits for I/O Port are set to Output mode. The value read back is equal to the last value written to this register.

**GPIO SWPORT DDR L**

Address: Operational Base + offset (0x0008)

Bit	Attr	Reset Value	Description
31:16	WO	0x0000	write_mask Write enable for lower 16 bits, each bit is individual. 1'b0: Write access disable 1'b1: Write access enable
15:0	RW	0x0000	swport_ddr_low Data direction for the lower 16 bits of I/O Port, each bit is individual. 1'b0: Input 1'b1: Output Values written to this register independently control the direction of the corresponding data bit in the lower 16 bits of I/O Port.

**GPIO SWPORT DDR H**

Address: Operational Base + offset (0x000C)

Bit	Attr	Reset Value	Description
31:16	WO	0x0000	write_mask Write enable for lower 16 bits, each bit is individual. 1'b0: Write access disable 1'b1: Write access enable

Bit	Attr	Reset Value	Description
15:0	RW	0x0000	swport_dds_high Data direction for the upper 16 bits of I/O Port, each bit is individual. 1'b0: Input 1'b1: Output Values written to this register independently control the direction of the corresponding data bit in the upper 16 bits of I/O Port.

**GPIO INT EN L**

Address: Operational Base + offset (0x0010)

Bit	Attr	Reset Value	Description
31:16	WO	0x0000	write_mask Write enable for lower 16 bits, each bit is individual. 1'b0: Write access disable 1'b1: Write access enable
15:0	RW	0x0000	int_en_low Allows each bit of the lower 16 bits of I/O Port to be configured for interrupts. 1'b0: Interrupt is disabled 1'b1: Interrupt is enabled Whenever a 1 is written to a bit of this register, it configures the corresponding bit on I/O Port to become an interrupt source; otherwise, I/O Port operates as a normal GPIO signal. Interrupts are disabled on the corresponding bits of I/O Port if the corresponding data direction register is set to Output.

**GPIO INT EN H**

Address: Operational Base + offset (0x0014)

Bit	Attr	Reset Value	Description
31:16	WO	0x0000	write_mask Write enable for lower 16 bits, each bit is individual. 1'b0: Write access disable 1'b1: Write access enable
15:0	RW	0x0000	int_en_high Allows each bit of the upper 16 bits of I/O Port to be configured for interrupts. 1'b0: Interrupt is disabled 1'b1: Interrupt is enabled Whenever a 1 is written to a bit of this register, it configures the corresponding bit on I/O Port to become an interrupt source; otherwise, I/O Port operates as a normal GPIO signal. Interrupts are disabled on the corresponding bits of I/O Port if the corresponding data direction register is set to Output.

**GPIO INT MASK L**

Address: Operational Base + offset (0x0018)

Bit	Attr	Reset Value	Description
31:16	WO	0x0000	write_mask Write enable for lower 16 bits, each bit is individual. 1'b0: Write access disable 1'b1: Write access enable

Bit	Attr	Reset Value	Description
15:0	RW	0x0000	<b>int_mask_low</b> Controls whether an interrupt on the lower 16 bits of I/O Port can create an interrupt for the interrupt controller by not masking it. 1'b0: Interrupt is unmasked 1'b1: Interrupt is masked Whenever a 1 is written to a bit in this register, it masks the interrupt generation capability for this signal; otherwise interrupts are allowed through.

**GPIO INT MASK H**

Address: Operational Base + offset (0x001C)

Bit	Attr	Reset Value	Description
31:16	WO	0x0000	<b>write_mask</b> Write enable for lower 16 bits, each bit is individual. 1'b0: Write access disable 1'b1: Write access enable
15:0	RW	0x0000	<b>int_mask_high</b> Controls whether an interrupt on the upper 16 bits of I/O Port can create an interrupt for the interrupt controller by not masking it. 1'b0: Interrupt is unmasked 1'b1: Interrupt is masked Whenever a 1 is written to a bit in this register, it masks the interrupt generation capability for this signal; otherwise interrupts are allowed through.

**GPIO INT TYPE L**

Address: Operational Base + offset (0x0020)

Bit	Attr	Reset Value	Description
31:16	WO	0x0000	<b>write_mask</b> Write enable for lower 16 bits, each bit is individual. 1'b0: Write access disable 1'b1: Write access enable
15:0	RW	0x0000	<b>int_type_low</b> Controls the type of interrupt that can occur on the lower 16 bits of I/O Port. 1'b0: Level-sensitive 1'b1: Edge-sensitive Whenever a 1 is written to a bit of this register, it configures the interrupt type to be edge-sensitive; otherwise, it is level-sensitive.

**GPIO INT TYPE H**

Address: Operational Base + offset (0x0024)

Bit	Attr	Reset Value	Description
31:16	WO	0x0000	<b>write_mask</b> Write enable for lower 16 bits, each bit is individual. 1'b0: Write access disable 1'b1: Write access enable

Bit	Attr	Reset Value	Description
15:0	RW	0x0000	int_type_high Controls the type of interrupt that can occur on the upper 16 bits of I/O Port. 1'b0: Level-sensitive 1'b1: Edge-sensitive Whenever a 1 is written to a bit of this register, it configures the interrupt type to be edge-sensitive; otherwise, it is level-sensitive.

**GPIO INT POLARITY L**

Address: Operational Base + offset (0x0028)

Bit	Attr	Reset Value	Description
31:16	WO	0x0000	write_mask Write enable for lower 16 bits, each bit is individual. 1'b0: Write access disable 1'b1: Write access enable
15:0	RW	0x0000	int_polarity_low Controls the polarity of edge or level sensitivity that can occur on the lower 16 bits of I/O Port. 1'b0: Active-low 1'b1: Active-high Whenever a 1 is written to a bit of this register, it configures the interrupt type to rising-edge or active-high sensitive; otherwise, it is falling-edge or active-low sensitive.

**GPIO INT POLARITY H**

Address: Operational Base + offset (0x002C)

Bit	Attr	Reset Value	Description
31:16	WO	0x0000	write_mask Write enable for lower 16 bits, each bit is individual. 1'b0: Write access disable 1'b1: Write access enable
15:0	RW	0x0000	int_polarity_high Controls the polarity of edge or level sensitivity that can occur on the upper 16 bits of I/O Port. 1'b0: Active-low 1'b1: Active-high Whenever a 1 is written to a bit of this register, it configures the interrupt type to rising-edge or active-high sensitive; otherwise, it is falling-edge or active-low sensitive.

**GPIO INT BOTHEDGE L**

Address: Operational Base + offset (0x0030)

Bit	Attr	Reset Value	Description
31:16	WO	0x0000	write_mask Write enable for lower 16 bits, each bit is individual. 1'b0: Write access disable 1'b1: Write access enable



Bit	Attr	Reset Value	Description
15:0	RW	0x0000	<p>int_bothedge_low Controls the edge type of interrupt that can occur on the lower 16 bits of I/O Port. 1'b0: Disable both-edge detection 1'b1: Enable both-edge detection Whenever a particular bit is programmed to 1, it enables the generation of interrupts on both the rising edge and the falling edge of an external input signal corresponding to that bit on I/O Port. The values programmed in the registers int_type_low and int_polarity_low for this particular bit are not considered when the corresponding bit of this register is set to 1. Whenever a particular bit is programmed to 0, the interrupt type depends on the value of the corresponding bits in the int_type_low and int_polarity_low registers.</p>

**GPIO INT BOTHEDGE H**

Address: Operational Base + offset (0x0034)

Bit	Attr	Reset Value	Description
31:16	WO	0x0000	<p>write_mask Write enable for lower 16 bits, each bit is individual. 1'b0: Write access disable 1'b1: Write access enable</p>
15:0	RW	0x0000	<p>int_bothedge_high Controls the edge type of interrupt that can occur on the upper 16 bits of I/O Port. 1'b0: Disable both-edge detection 1'b1: Enable both-edge detection Whenever a particular bit is programmed to 1, it enables the generation of interrupts on both the rising edge and the falling edge of an external input signal corresponding to that bit on I/O Port. The values programmed in the registers int_type_high and int_polarity_high for this particular bit are not considered when the corresponding bit of this register is set to 1. Whenever a particular bit is programmed to 0, the interrupt type depends on the value of the corresponding bits in the int_type_high and int_polarity_high registers.</p>

**GPIO DEBOUNCE L**

Address: Operational Base + offset (0x0038)

Bit	Attr	Reset Value	Description
31:16	WO	0x0000	<p>write_mask Write enable for lower 16 bits, each bit is individual. 1'b0: Write access disable 1'b1: Write access enable</p>
15:0	RW	0x0000	<p>debounce_low Controls whether an external signal of the lower 16 bits of I/O Port that is the source of an interrupt needs to be debounced to remove any spurious glitches. 1'b0: Disable debounce 1'b1: Enable debounce Writing a 1 to a bit in this register enables the debouncing circuitry. A signal must be valid for two periods of an external clock before it is internally processed.</p>

**GPIO DEBOUNCE H**

Address: Operational Base + offset (0x003C)

Bit	Attr	Reset Value	Description
31:16	WO	0x0000	write_mask Write enable for lower 16 bits, each bit is individual. 1'b0: Write access disable 1'b1: Write access enable
15:0	RW	0x0000	debounce_high Controls whether an external signal of the lower 16 bits of I/O Port that is the source of an interrupt needs to be debounced to remove any spurious glitches. 1'b0: Disable debounce 1'b1: Enable debounce Writing a 1 to a bit in this register enables the debouncing circuitry. A signal must be valid for two periods of an external clock before it is internally processed.

**GPIO DBCLK DIV EN L**

Address: Operational Base + offset (0x0040)

Bit	Attr	Reset Value	Description
31:16	WO	0x0000	write_mask Write enable for lower 16 bits, each bit is individual. 1'b0: Write access disable 1'b1: Write access enable
15:0	RW	0x0000	dbclk_div_en_low Controls whether to use the internal divided clock when debounce function is enabled for an external signal of the lower 16 bits of I/O Port. 1'b0: Disable divider for debounce clock 1'b1: Enable divider for debounce clock Whenever a 1 is written to a bit of this register, the clock divided from dbclk is used as debounce clock; otherwise, the original dbclk is used. The clock divide factor depends on the register dbclk_div_con. The values programmed in this register for this particular bit are not considered when the corresponding bit of the register debounce_low is set to 0.

**GPIO DBCLK DIV EN H**

Address: Operational Base + offset (0x0044)

Bit	Attr	Reset Value	Description
31:16	WO	0x0000	write_mask Write enable for lower 16 bits, each bit is individual. 1'b0: Write access disable 1'b1: Write access enable
15:0	RW	0x0000	dbclk_div_en_high Controls whether to use the internal divided clock when debounce function is enabled for an external signal of the upper 16 bits of I/O Port. 1'b0: Disable divider for debounce clock 1'b1: Enable divider for debounce clock Whenever a 1 is written to a bit of this register, the clock divided from dbclk is used as debounce clock; otherwise, the original dbclk is used. The clock divide factor depends on the register dbclk_div_con. The values programmed in this register for this particular bit are not considered when the corresponding bit of the register debounce_high is set to 0.

**GPIO DBCLK DIV CON**

Address: Operational Base + offset (0x0048)

Bit	Attr	Reset Value	Description
31:24	RO	0x00	reserved
23:0	RW	0x000001	dbclk_div_con dbclk_div = dbclk / (dbclk_div_con + 1)

**GPIO INT STATUS**

Address: Operational Base + offset (0x0050)

Bit	Attr	Reset Value	Description
31:0	RO	0x00000000	int_status Interrupt status of I/O Port.

**GPIO INT RAWSTATUS**

Address: Operational Base + offset (0x0058)

Bit	Attr	Reset Value	Description
31:0	RO	0x00000000	int_rawstatus Interrupt raw status of I/O Port (premasking bits).

**GPIO PORT EOI L**

Address: Operational Base + offset (0x0060)

Bit	Attr	Reset Value	Description
31:16	WO	0x0000	write_mask Write enable for lower 16 bits, each bit is individual. 1'b0: Write access disable 1'b1: Write access enable
15:0	R/W SC	0x0000	port_eoi_low Controls the clearing of edge type interrupts from the lower 16 bits of I/O Port. 1'b0: Nothing 1'b1: Clear edge-sensitive interrupt When a 1 is written into a corresponding bit of this register, the interrupt is cleared and the bit is self cleared at once. Writing to this register has no effect on level-sensitive interrupts. All interrupts are cleared when I/O Port is not configured for interrupts.

**GPIO PORT EOI H**

Address: Operational Base + offset (0x0064)

Bit	Attr	Reset Value	Description
31:16	WO	0x0000	write_mask Write enable for lower 16 bits, each bit is individual. 1'b0: Write access disable 1'b1: Write access enable
15:0	R/W SC	0x0000	port_eoi_high Controls the clearing of edge type interrupts from the upper 16 bits of I/O Port. 1'b0: Nothing 1'b1: Clear edge-sensitive interrupt When a 1 is written into a corresponding bit of this register, the interrupt is cleared and the bit is self cleared at once. Writing to this register has no effect on level-sensitive interrupts. All interrupts are cleared when I/O Port is not configured for interrupts.

**GPIO EXT PORT**

## RK3588 TRM-Part1

Address: Operational Base + offset (0x0070)

Bit	Attr	Reset Value	Description
31:0	RO	0x00000000	ext_port This register always reflects the value of the signals on the external I/O Port.

### **GPIO VER ID**

Address: Operational Base + offset (0x0078)

Bit	Attr	Reset Value	Description
31:0	RO	0x0101157c	ver_id Version ID.

### **GPIO GPIO REG GROUP L**

Address: Operational Base + offset (0x0100)

Bit	Attr	Reset Value	Description
31:16	WO	0x0000	write_mask Write enable for lower 16 bits, each bit is individual. 1'b0: Write access disable 1'b1: Write access enable
15:0	RW	0x0000	gpio_reg_group_low This register control the low 16 bit of GPIO and each bit corresponds each GPIO. When virtual_en=1'b1: 1'b1: GPIO control by OS_A with offset 0x0000 1'b0: GPIO control by OS_B with offset 0x1000 When virtual_en=1'b0: 1'b1: GPIO interrupt connect to gpio_int_flag 1'b0: GPIO interrupt connect to gpio_int_flag_exp

### **GPIO GPIO REG GROUP H**

Address: Operational Base + offset (0x0104)

Bit	Attr	Reset Value	Description
31:16	WO	0x0000	write_mask Write enable for lower 16 bits, each bit is individual. 1'b0: Write access disable 1'b1: Write access enable
15:0	RW	0xffff	gpio_reg_group_high This register control the high 16 bit of GPIO and each bit corresponds each GPIO. When virtual_en=1'b1: 1'b1: GPIO control by OS_A with offset 0x0000 1'b0: GPIO control by OS_B with offset 0x1000 When virtual_en=1'b0: 1'b1: GPIO interrupt connect to gpio_int_flag 1'b0: GPIO interrupt connect to gpio_int_flag_exp

### **GPIO GPIO VIRTUAL EN**

Address: Operational Base + offset (0x0108)

Bit	Attr	Reset Value	Description
31:16	WO	0x0000	write_mask Write enable for lower 16 bits, each bit is individual. 1'b0: Write access disable 1'b1: Write access enable
15:1	RO	0x0000	reserved

Bit	Attr	Reset Value	Description
0	RW	0x0	gpio_virtual_en 1'b1: Enable virtual, two OS supported 1'b0: Disable virtual.

## 20.5 Interface Description

Table 20-1 GPIO Interface Description

Module Pin	Pad Name	IOMUX Setting
<b>GPIO0 Interface</b>		
gpio0_port[0]	REFCLK_OUT/GPIO0_A0_d	PMU1_IOC_GPIO0A_IOMUX_SEL_L[3:0]=4'b0
gpio0_port[1]	TSADC_SHUT_ORG/TSADC_SHUT/GPIO0_A1_z	PMU1_IOC_GPIO0A_IOMUX_SEL_L[7:4]=4'b0
gpio0_port[2]	PMIC_SLEEP1/GPIO0_A2_d	PMU1_IOC_GPIO0A_IOMUX_SEL_L[11:8]=4'b0
gpio0_port[3]	PMIC_SLEEP2/GPIO0_A3_d	PMU1_IOC_GPIO0A_IOMUX_SEL_L[15:12]=4'b0
gpio0_port[4]	SDMMC_DET/GPIO0_A4_u	PMU1_IOC_GPIO0A_IOMUX_SEL_H[3:0]=4'b0
gpio0_port[5]	SPI2_CLK_M2/SDMMC_PWREN/PMU_DEBUG/GPIO0_A5_d	PMU1_IOC_GPIO0A_IOMUX_SEL_H[7:4]=4'b0
gpio0_port[6]	SPI2_MOSI_M2/I2C0_SDA_M0/GPIO0_A6_z	PMU1_IOC_GPIO0A_IOMUX_SEL_H[11:8]=4'b0
gpio0_port[7]	PMIC_INT_L/GPIO0_A7_u	PMU1_IOC_GPIO0A_IOMUX_SEL_H[15:12]=4'b0
gpio0_port[8]	SPI2_CS1_M2/I2C1_SCL_M1/UART0_RX_M1/GPIO0_B0_z	PMU1_IOC_GPIO0B_IOMUX_SEL_L[3:0]=4'b0
gpio0_port[9]	SPI2_CS0_M2/I2C1_SDA_M1/PWM5_M0/UART0_TX_M1/GPIO0_B1_z	PMU1_IOC_GPIO0B_IOMUX_SEL_L[7:4]=4'b0
gpio0_port[10]	CLK32K_IN/CLK32K_OUT0/GPIO0_B2_u	PMU1_IOC_GPIO0B_IOMUX_SEL_L[11:8]=4'b0
gpio0_port[11]	SPI2_MISO_M2/I2C0_SCL_M0/GPIO0_B3_z	PMU1_IOC_GPIO0B_IOMUX_SEL_L[15:12]=4'b0
gpio0_port[13]	I2S1_MCLK_M1/JTAG_TCK_M2/I2C1_SCL_M0/UART2_TX_M0/PCIE30X1_1_CLKREQN_M0/GPIO0_B5_d	PMU2_IOC_GPIO0B_IOMUX_SEL_H[7:4]=4'b0

<b>Module Pin</b>	<b>Pad Name</b>	<b>IOMUX Setting</b>
gpio0_port[14]	I2S1_SCLK_M1/JTAG_TMS_M2/I2C1_SDA_M0/UART2_RX_M0/PCIE30X1_1_WAKEN_M0/GPIO0_B6_d	PMU2_IOC_GPIO0B_IOMUX_SEL_H[11:8]=4'b0
gpio0_port[15]	I2S1_LRCK_M1/PWM0_M0/I2C2_SCL_M0/CAN0_TX_M0/SPI0_CS1_M0/PCIE30X1_1_PERSTN_M0/GPIO0_B7_d	PMU2_IOC_GPIO0B_IOMUX_SEL_H[15:12]=4'b0
gpio0_port[16]	PDM0_CLK0_M1/PWM1_M0/I2C2_SDA_M0/CAN0_RX_M0/SPI0_MOSI_M0/PCIE30X1_0_CLKREQN_M0/GPIO0_C0_d	PMU2_IOC_GPIO0C_IOMUX_SEL_L[3:0]=4'b0
gpio0_port[17]	PMIC_SLEEP3/GPIO0_C1_d	PMU2_IOC_GPIO0C_IOMUX_SEL_L[7:4]=4'b0
gpio0_port[18]	PMIC_SLEEP4/GPIO0_C2_d	PMU2_IOC_GPIO0C_IOMUX_SEL_L[11:8]=4'b0
gpio0_port[19]	PMIC_SLEEP5/GPIO0_C3_d	PMU2_IOC_GPIO0C_IOMUX_SEL_L[15:12]=4'b0
gpio0_port[20]	PDM0_CLK1_M1/PWM2_M0/UART0_RX_M0/I2C4_SDA_M2/DP0_HPDIN_M1/PCIE30X1_0_WAKEN_M0/GPIO0_C4_d	PMU2_IOC_GPIO0C_IOMUX_SEL_H[3:0]=4'b0
gpio0_port[21]	I2S1_SDI0_M1/GPU_AVS/UART0_TX_M0/I2C4_SCL_M2/DP1_HPDIN_M1/PWM4_M0/PCIE30X1_0_PERSTN_M0/GPIO0_C5_u	PMU2_IOC_GPIO0C_IOMUX_SEL_H[7:4]=4'b0
gpio0_port[22]	I2S1_SDI1_M1/NPU_AVS/UART0_RTSM/PWM5_M1/SPI0_CLK_M0/PCIE30X4_CLKREQN_M0/SATA_CP_POD/GPIO0_C6_u	PMU2_IOC_GPIO0C_IOMUX_SEL_H[11:8]=4'b0
gpio0_port[23]	I2S1_SDI2_M1/PDM0_SDI0_M1/I2C6_SDA_M0/UART1_RTSM/PWM6_M0/SPI0_MISO_M0/PCIE30X4_WAKEN_M0/GPIO0_C7_d	PMU2_IOC_GPIO0C_IOMUX_SEL_H[15:12]=4'b0
gpio0_port[24]	I2S1_SDI3_M1/PDM0_SDI1_M1/I2C6_SCL_M0/UART1_CTSN_M2/PWM7_IR_M0/SPI3_MISO_M2/PCIE30X4_PERSTN_M0/GPIO0_D0_d	PMU2_IOC_GPIO0D_IOMUX_SEL_L[3:0]=4'b0
gpio0_port[25]	I2S1_SDO0_M1/CPU_BIG0_AVS/I2C0_SCL_M2/UART0_CTSN/UART1_TX_M2/HDMI_RX_SDA_M0/SPI0_CS0_M0/PCIE30X2_CLKREQN_M0/HDMI_TX0_CEC_M1/GPIO0_D1_u	PMU2_IOC_GPIO0D_IOMUX_SEL_L[7:4]=4'b0
gpio0_port[26]	I2S1_SDO1_M1/I2C0_SDA_M2/UART1_RX_M2/HDMI_RX_SCL_M0/SPI3_MOSI_M2/PCIE30X2_WAKEN_M0/HDMI_TX1_CEC_M1/GPIO0_D2_u	PMU2_IOC_GPIO0D_IOMUX_SEL_L[11:8]=4'b0

Module Pin	Pad Name	IOMUX Setting
gpio0_port[27]	LITCPU_AVS/SPI3_CLK_M2/GPIO0_D3_u	PMU2_IOC_GPIO0D_IOMUX_SEL_L[15:12]=4'b0
gpio0_port[28]	I2S1_SDO2_M1/PDM0_SDI2_M1/PWM3_IR_M0/I2C1_SCL_M2/CAN2_RX_M1/HDMI_TX0_SDA_M1/SPI3_CS0_M2/PCIE30X2_PERSTN_M0/SATA_CPDET/GPIO0_D4_u	PMU2_IOC_GPIO0D_IOMUX_SEL_H[3:0]=4'b0
gpio0_port[29]	I2S1_SDO3_M1/CPU_BIG1_AVS/I2C1_SDA_M2/CAN2_TX_M1/HDMI_TX0_SCL_M1/SPI3_CS1_M2/SATA_MP_SWITCH/GPIO0_D5_u	PMU2_IOC_GPIO0D_IOMUX_SEL_H[7:4]=4'b0
gpio0_port[30]	PMIC_SLEEP6/PDM0_SDI3_M1/GPIO0_D6_d	PMU2_IOC_GPIO0D_IOMUX_SEL_H[11:8]=4'b0
<b>GPIO1 Interface</b>		
gpio1_port[0]	PCIE30X1_1_CLKREQN_M2/DP0_HPDIN_M2/I2C2_SDA_M4/UART6_RX_M1/SPI4_MISO_M2/GPIO1_A0_d	BUS_IOC_GPIO1A_IOMUX_SEL_L[3:0]=4'b0
gpio1_port[1]	PCIE30X1_1_WAKEN_M2/DP1_HPDIN_M2/SATA1_ACT_LED_M1/I2C2_SCL_M4/UART6_TX_M1/SPI4_MOSI_M2/GPIO1_A1_d	BUS_IOC_GPIO1A_IOMUX_SEL_L[7:4]=4'b0
gpio1_port[2]	VOP_POST_EMPTY/I2C4_SDA_M3/UART6_RTSN_M1/PWM0_M2/SPI4_CLK_M2/GPIO1_A2_d	BUS_IOC_GPIO1A_IOMUX_SEL_L[11:8]=4'b0
gpio1_port[3]	HDMI_TX1_SDA_M2/I2C4_SCL_M3/UART6_CTSN_M1/PWM1_M2/SPI4_CS0_M2/GPIO1_A3_d	BUS_IOC_GPIO1A_IOMUX_SEL_L[15:12]=4'b0
gpio1_port[4]	HDMI_TX1_SCL_M2/SPI2_MISO_M0/GPIO1_A4_d	BUS_IOC_GPIO1A_IOMUX_SEL_H[3:0]=4'b0
gpio1_port[5]	HDMI_TX0_HPD_M0/SPI2_MOSI_M0/GPIO1_A5_d	BUS_IOC_GPIO1A_IOMUX_SEL_H[7:4]=4'b0
gpio1_port[6]	HDMI_TX1_HPD_M0/SPI2_CLK_M0/GPIO1_A6_d	BUS_IOC_GPIO1A_IOMUX_SEL_H[11:8]=4'b0
gpio1_port[7]	PDM1_SDI0_M1/PCIE30X1_1_PERSTN_M2/PWM3_IR_M3/SPI2_CS0_M0/GPIO1_A7_u	BUS_IOC_GPIO1A_IOMUX_SEL_H[15:12]=4'b0
gpio1_port[8]	PDM1_SDI1_M1/PCIE30X4_CLKREQN_M3/SPI2_CS1_M0/GPIO1_B0_u	BUS_IOC_GPIO1B_IOMUX_SEL_L[3:0]=4'b0
gpio1_port[9]	PDM1_SDI2_M1/PCIE30X4_WAKEN_M3/SPI0_MISO_M2/GPIO1_B1_d	BUS_IOC_GPIO1B_IOMUX_SEL_L[7:4]=4'b0

<b>Module Pin</b>	<b>Pad Name</b>	<b>IOMUX Setting</b>
gpio1_port[10]	PDM1_SDI3_M1/PCIE30X4_PERSTN_M3/UART4_RX_M2/SPI0_MOSI_M2/GPIO1_B2_d	BUS_IOC_GPIO1B_IOMUX_SEL_L[11:8]=4'b0
gpio1_port[11]	PDM1_CLK1_M1/PCIE30X1_0_WAKEN_M2/SATA0_ACT_LED_M1/UART4_TX_M2/SPI0_CLK_M2/GPIO1_B3_d	BUS_IOC_GPIO1B_IOMUX_SEL_L[15:12]=4'b0
gpio1_port[12]	PDM1_CLK0_M1/PCIE30X1_0_PERSTN_M2/UART7_RX_M2/SPI0_CS0_M2/GPIO1_B4_u	BUS_IOC_GPIO1B_IOMUX_SEL_H[3:0]=4'b0
gpio1_port[13]	PCIE30X1_0_CLKREQN_M2/UART7_TX_M2/SPI0_CS1_M2/GPIO1_B5_u	BUS_IOC_GPIO1B_IOMUX_SEL_H[7:4]=4'b0
gpio1_port[14]	MIPI_CAMERA1_CLK_M0/SPDIF0_TX_M0/PCIE30X2_WAKEN_M3/HDMI_RX_HPDPDOUT_M2/I2C5_SCL_M3/UART1_TX_M1/GPIO1_B6_d	BUS_IOC_GPIO1B_IOMUX_SEL_H[11:8]=4'b0
gpio1_port[15]	MIPI_CAMERA2_CLK_M0/SPDIF1_TX_M0/PCIE30X2_PERSTN_M3/HDMI_RX_CEC_M2/SATA2_ACT_LED_M1/I2C5_SDA_M3/UART1_RX_M1/PWM13_M2/GPIO1_B7_u	BUS_IOC_GPIO1B_IOMUX_SEL_H[15:12]=4'b0
gpio1_port[16]	I2C3_SDA_M0/UART3_RX_M0/SPI4_MISO_M0/GPIO1_C0_z	BUS_IOC_GPIO1C_IOMUX_SEL_L[3:0]=4'b0
gpio1_port[17]	I2C3_SCL_M0/UART3_TX_M0/SPI4_MOSI_M0/GPIO1_C1_z	BUS_IOC_GPIO1C_IOMUX_SEL_L[7:4]=4'b0
gpio1_port[18]	I2S0_MCLK/I2C6_SDA_M1/UART3_RTSN/PWM3_IR_M2/SPI4_CLK_M0/GPIO1_C2_d	BUS_IOC_GPIO1C_IOMUX_SEL_L[11:8]=4'b0
gpio1_port[19]	I2S0_SCLK/I2C6_SCL_M1/UART3_CTSN/PWM7_IR_M2/SPI4_CS0_M0/GPIO1_C3_d	BUS_IOC_GPIO1C_IOMUX_SEL_L[15:12]=4'b0
gpio1_port[20]	PDM0_CLK1_M0/I2C2_SDA_M3/PWM11_IR_M2/SPI4_CS1_M0/GPIO1_C4_d	BUS_IOC_GPIO1C_IOMUX_SEL_H[3:0]=4'b0
gpio1_port[21]	I2S0_LRCK/I2C2_SCL_M3/UART4_RTSN/GPIO1_C5_d	BUS_IOC_GPIO1C_IOMUX_SEL_H[7:4]=4'b0
gpio1_port[22]	PDM0_CLK0_M0/I2C4_SDA_M4/PWM15_IR_M2/GPIO1_C6_d	BUS_IOC_GPIO1C_IOMUX_SEL_H[11:8]=4'b0
gpio1_port[23]	I2S0_SDO0/I2C4_SCL_M4/UART4_CTSN/GPIO1_C7_d	BUS_IOC_GPIO1C_IOMUX_SEL_H[15:12]=4'b0
gpio1_port[24]	I2S0_SDO1/I2C7_SCL_M0/UART6_TX_M2/SPI1_MISO_M2/GPIO1_D0_d	BUS_IOC_GPIO1D_IOMUX_SEL_L[3:0]=4'b0



<b>Module Pin</b>	<b>Pad Name</b>	<b>IOMUX Setting</b>
gpio1_port[25]	I2S0_SDO2/I2S0_SDI3/PDM0_SDI1_M0/I2C7_SDA_M0/UART6_RX_M2/SPI1_MOSI_M2/GPIO1_D1_d	BUS_IOC_GPIO1D_IOMUX_SEL_L[7:4]=4'b0
gpio1_port[26]	I2S0_SDO3/I2S0_SDI2/PDM0_SDI2_M0/I2C1_SCL_M4/UART4_TX_M0/PWM0_M1/SPI1_CLK_M2/GPIO1_D2_d	BUS_IOC_GPIO1D_IOMUX_SEL_L[11:8]=4'b0
gpio1_port[27]	I2S0_SDI1/PDM0_SDI3_M0/I2C1_SDA_M4/UART4_RX_M0/PWM1_M1/SPI1_CS0_M2/GPIO1_D3_d	BUS_IOC_GPIO1D_IOMUX_SEL_L[15:12]=4'b0
gpio1_port[28]	I2S0_SDI0/GPIO1_D4_d	BUS_IOC_GPIO1D_IOMUX_SEL_H[3:0]=4'b0
gpio1_port[29]	PDM0_SDI0_M0/SPI1_CS1_M2/GPIO1_D5_d	BUS_IOC_GPIO1D_IOMUX_SEL_H[7:4]=4'b0
gpio1_port[30]	MIPI_CAMERA3_CLK_M0/HDMI_RX_SCL_M2/I2C8_SCL_M2/UART1_RTSN_M1/PWM14_M2/GPIO1_D6_u	BUS_IOC_GPIO1D_IOMUX_SEL_H[11:8]=4'b0
gpio1_port[31]	MIPI_CAMERA4_CLK_M0/PCIE30X2_CLKREQN_M3/HDMI_RX_SDA_M2/I2C8_SDA_M2/UART1_CTSN_M1/PWM15_IR_M3/GPIO1_D7_u	BUS_IOC_GPIO1C_IOMUX_SEL_H[15:12]=4'b0
<b>GPIO2 Interface</b>		
gpio2_port[0]	EMMC_CMD/FSPI_CLK_M0/GPIO2_A0_u	BUS_IOC_GPIO2A_IOMUX_SEL_L[3:0]=4'b0
gpio2_port[1]	EMMC_CLKOUT/GPIO2_A1_d	BUS_IOC_GPIO2A_IOMUX_SEL_L[7:4]=4'b0
gpio2_port[2]	EMMC_DATA_STROBE/I2C2_SDA_M2/UART5_CTSN_M1/GPIO2_A2_d	BUS_IOC_GPIO2A_IOMUX_SEL_L[11:8]=4'b0
gpio2_port[3]	EMMC_RSTN/I2C2_SCL_M2/UART5_RTSN_M1/GPIO2_A3_d	BUS_IOC_GPIO2A_IOMUX_SEL_L[15:12]=4'b0
gpio2_port[6]	GMAC0_RXD2/SDIO_D0_M0/FSPI_D0_M1/UART6_RX_M0/GPIO2_A6_u	BUS_IOC_GPIO2A_IOMUX_SEL_H[11:8]=4'b0
gpio2_port[7]	GMAC0_RXD3/SDIO_D1_M0/FSPI_D1_M1/UART6_TX_M0/GPIO2_A7_u	BUS_IOC_GPIO2A_IOMUX_SEL_H[15:12]=4'b0
gpio2_port[8]	GMAC0_RXCLK/SDIO_D2_M0/FSPI_D2_M1/I2C8_SCL_M1/UART6_RTSN_M0/GPIO2_B0_u	BUS_IOC_GPIO2B_IOMUX_SEL_L[3:0]=4'b0

<b>Module Pin</b>	<b>Pad Name</b>	<b>IOMUX Setting</b>
gpio2_port[9]	GMAC0_TXD2/SDIO_D3_M0/FSPI_D3_M1/I2C8_SDA_M1/UART6_CTSN_M0/GPIO2_B1_u	BUS_IOC_GPIO2B_IOMUX_SEL_L[7:4]=4'b0
gpio2_port[10]	GMAC0_TXD3/SDIO_CMD_M0/I2C3_SCL_M3/GPIO2_B2_u	BUS_IOC_GPIO2B_IOMUX_SEL_L[11:8]=4'b0
gpio2_port[11]	GMAC0_TXCLK/SDIO_CLK_M0/FSPI_CLK_M1/I2C3_SDA_M3/GPIO2_B3_d	BUS_IOC_GPIO2B_IOMUX_SEL_L[15:12]=4'b0
gpio2_port[12]	GMAC0_PTP_REFCLK/FSPI_CS0N_M1/HDMI_TX1_SDA_M0/I2C4_SDA_M1/UART7_RX_M0/GPIO2_B4_u	BUS_IOC_GPIO2B_IOMUX_SEL_H[3:0]=4'b0
gpio2_port[13]	GMAC0_PPSTRING/FSPI_CS1N_M1/HDMI_TX1_SCL_M0/I2C4_SCL_M1/UART7_TX_M0/GPIO2_B5_u	BUS_IOC_GPIO2B_IOMUX_SEL_H[7:4]=4'b0
gpio2_port[14]	GMAC0_TXD0/I2S2_MCLK_M0/I2C5_SCL_M4/UART1_RX_M0/GPIO2_B6_d	BUS_IOC_GPIO2B_IOMUX_SEL_H[11:8]=4'b0
gpio2_port[15]	GMAC0_TXD1/I2S2_SCLK_M0/I2C5_SDA_M4/UART1_TX_M0/GPIO2_B7_d	BUS_IOC_GPIO2B_IOMUX_SEL_H[15:12]=4'b0
gpio2_port[16]	GMAC0_RXCLK/SDIO_D2_M0/FSPI_D2_M1/I2C8_SCL_M1/UART6_RTSN_M0/GPIO2_B0_u	BUS_IOC_GPIO2C_IOMUX_SEL_L[3:0]=4'b0
gpio2_port[17]	GMAC0_TXD2/SDIO_D3_M0/FSPI_D3_M1/I2C8_SDA_M1/UART6_CTSN_M0/GPIO2_B1_u	BUS_IOC_GPIO2C_IOMUX_SEL_L[7:4]=4'b0
gpio2_port[18]	GMAC0_TXD3/SDIO_CMD_M0/I2C3_SCL_M3/GPIO2_B2_u	BUS_IOC_GPIO2C_IOMUX_SEL_L[11:8]=4'b0
gpio2_port[19]	GMAC0_TXCLK/SDIO_CLK_M0/FSPI_CLK_M1/I2C3_SDA_M3/GPIO2_B3_d	BUS_IOC_GPIO2C_IOMUX_SEL_L[15:12]=4'b0
gpio2_port[20]	GMAC0_PTP_REFCLK/FSPI_CS0N_M1/HDMI_TX1_SDA_M0/I2C4_SDA_M1/UART7_RX_M0/GPIO2_B4_u	BUS_IOC_GPIO2C_IOMUX_SEL_H[3:0]=4'b0
gpio2_port[21]	GMAC0_PPSTRING/FSPI_CS1N_M1/HDMI_TX1_SCL_M0/I2C4_SCL_M1/UART7_TX_M0/GPIO2_B5_u	BUS_IOC_GPIO2C_IOMUX_SEL_H[7:4]=4'b0
gpio2_port[22]	EMMC_D0/FSPI_D0_M0/GPIO2_D0_u	BUS_IOC_GPIO2D_IOMUX_SEL_L[3:0]=4'b0
gpio2_port[25]	EMMC_D1/FSPI_D1_M0/GPIO2_D1_u	BUS_IOC_GPIO2D_IOMUX_SEL_L[7:4]=4'b0

<b>Module Pin</b>	<b>Pad Name</b>	<b>IOMUX Setting</b>
gpio2_port[26]	EMMC_D2/FSPI_D2_M0/GPIO2_D2_u	BUS_IOC_GPIO2D_IOMUX_SEL_L[11:8]=4'b0
gpio2_port[27]	EMMC_D3/FSPI_D3_M0/GPIO2_D3_u	BUS_IOC_GPIO2D_IOMUX_SEL_L[15:12]=4'b0
gpio2_port[28]	EMMC_D4/I2C1_SCL_M3/UART5_RX_M2/GPIO2_D4_u	BUS_IOC_GPIO2D_IOMUX_SEL_H[3:0]=4'b0
gpio2_port[29]	EMMC_D5/I2C1_SDA_M3/UART5_TX_M2/GPIO2_D5_u	BUS_IOC_GPIO2D_IOMUX_SEL_H[7:4]=4'b0
gpio2_port[30]	EMMC_D6/FSPI_CS0N_M0/GPIO2_D6_u	BUS_IOC_GPIO2D_IOMUX_SEL_H[11:8]=4'b0
gpio2_port[31]	EMMC_D7/FSPI_CS1N_M0/GPIO2_D7_u	BUS_IOC_GPIO2D_IOMUX_SEL_H[15:12]=4'b0
<b>GPIO3 Interface</b>		
gpio3_port[0]	GMAC1_TXD2/SDIO_D0_M1/I2S3_MCLK/FSPI_D0_M2/I2C6_SDA_M4/PWM10_M0/SPI4_MISO_M1/GPIO3_A0_u	BUS_IOC_GPIO3A_IOMUX_SEL_L[3:0]=4'b0
gpio3_port[1]	GMAC1_TXD3/SDIO_D1_M1/I2S3_SCLK/AUDDSM_LN/FSPI_D1_M2/I2C6_SCL_M4/PWM11_IR_M0/SPI4_MOSI_M1/GPIO3_A1_u	BUS_IOC_GPIO3A_IOMUX_SEL_L[7:4]=4'b0
gpio3_port[2]	GMAC1_RXD2/SDIO_D2_M1/I2S3_LRCK/AUDDSM_LP/FSPI_D2_M2/UART8_TX_M1/SPI4_CLK_M1/GPIO3_A2_u	BUS_IOC_GPIO3A_IOMUX_SEL_L[11:8]=4'b0
gpio3_port[3]	GMAC1_RXD3/SDIO_D3_M1/I2S3_SDO/AUDDSM_RN/FSPI_D3_M2/UART8_RX_M1/SPI4_CS0_M1/GPIO3_A3_u	BUS_IOC_GPIO3A_IOMUX_SEL_L[15:12]=4'b0
gpio3_port[4]	GMAC1_TXCLK/SDIO_CMD_M1/I2S3_SDI/AUDDSM_RP/UART8_RTSN_M1/SPI4_CS1_M1/GPIO3_A4_d	BUS_IOC_GPIO3A_IOMUX_SEL_H[3:0]=4'b0
gpio3_port[5]	GMAC1_RXCLK/SDIO_CLK_M1/MIPI_CAMERA0_CLK_M1/FSPI_CLK_M2/I2C4_SDA_M0/UART8_CTSN_M1/GPIO3_A5_d	BUS_IOC_GPIO3A_IOMUX_SEL_H[7:4]=4'b0
gpio3_port[6]	ETH1_REFCLKO_25M/MIPI_CAMERA1_CLK_M1/I2C4_SCL_M0/GPIO3_A6_d	BUS_IOC_GPIO3A_IOMUX_SEL_H[11:8]=4'b0
gpio3_port[7]	GMAC1_RXD0/MIPI_CAMERA2_CLK_M1/PWM8_M0/GPIO3_A7_u	BUS_IOC_GPIO3A_IOMUX_SEL_H[15:12]=4'b0

<b>Module Pin</b>	<b>Pad Name</b>	<b>IOMUX Setting</b>
gpio3_port[8]	GMAC1_RXD1/MIPI_CAMERA3_CLK_M1/PWM9_M0/GPIO3_B0_u	BUS_IOC_GPIO3B_IOMUX_SEL_L[3:0]=4'b0
gpio3_port[9]	GMAC1_RXDV_CRS/MIPI_CAMERA4_CLK_M1/UART2_TX_M2/PWM2_M1/GPIO3_B1_d	BUS_IOC_GPIO3B_IOMUX_SEL_L[7:4]=4'b0
gpio3_port[10]	GMAC1_TXER/I2S2_SDI_M1/UART2_RX_M2/PWM3_IR_M1/GPIO3_B2_d	BUS_IOC_GPIO3B_IOMUX_SEL_L[11:8]=4'b0
gpio3_port[11]	GMAC1_TXD0/I2S2_SDO_M1/UART2_RTSEN/GPIO3_B3_u	BUS_IOC_GPIO3B_IOMUX_SEL_L[15:12]=4'b0
gpio3_port[12]	GMAC1_TXD1/I2S2_MCLK_M1/UART2_CTS_N/GPIO3_B4_u	BUS_IOC_GPIO3B_IOMUX_SEL_H[3:0]=4'b0
gpio3_port[13]	GMAC1_TXEN/I2S2_SCLK_M1/CAN1_RX_M0/UART3_TX_M1/PWM12_M0/GPIO3_B5_u	BUS_IOC_GPIO3B_IOMUX_SEL_H[7:4]=4'b0
gpio3_port[14]	GMAC1_MCLKINOUT/I2S2_LRCK_M1/CAN1_TX_M0/UART3_RX_M1/PWM13_M0/GPIO3_B6_d	BUS_IOC_GPIO3B_IOMUX_SEL_H[11:8]=4'b0
gpio3_port[15]	GMAC1_PTP_REF_CLK/HDMI_TX1_HPD_M1/I2C3_SCL_M1/SPI1_MOSI_M1/GPIO3_B7_d	BUS_IOC_GPIO3B_IOMUX_SEL_H[15:12]=4'b0
gpio3_port[16]	GMAC1_PPSTRIG/I2C3_SDA_M1/UART7_TX_M1/SPI1_MISO_M1/GPIO3_C0_d	BUS_IOC_GPIO3C_IOMUX_SEL_L[3:0]=4'b0
gpio3_port[17]	GMAC1_PPSCCLK/PCIE30X2_BUTTON_RSTN/UART7_RX_M1/SPI1_CLK_M1/GPIO3_C1_d	BUS_IOC_GPIO3C_IOMUX_SEL_L[7:4]=4'b0
gpio3_port[18]	GMAC1_MDC/MIPI_TE0/I2C8_SCL_M4/UART7_RTSEN_M1/PWM14_M0/SPI1_CS0_M1/GPIO3_C2_d	BUS_IOC_GPIO3C_IOMUX_SEL_L[11:8]=4'b0
gpio3_port[19]	GMAC1_MDIO/MIPI_TE1/I2C8_SDA_M4/UART7_CTSN_M1/PWM15_IR_M0/SPI1_CS1_M1/GPIO3_C3_d	BUS_IOC_GPIO3C_IOMUX_SEL_L[15:12]=4'b0
gpio3_port[20]	CIF_D8/FSPI_CS0N_M2/PCIE30X4_CLKREQ_N_M2/HDMI_TX1_CEC_M2/CAN2_RX_M0/UART5_TX_M1/SPI3_CS0_M3/GPIO3_C4_u	BUS_IOC_GPIO3C_IOMUX_SEL_H[3:0]=4'b0
gpio3_port[21]	CIF_D9/FSPI_CS1N_M2/PCIE30X4_WAKEN_M2/HDMI_TX1_SDA_M1/CAN2_TX_M0/UART5_RX_M1/SPI3_CS1_M3/GPIO3_C5_u	BUS_IOC_GPIO3C_IOMUX_SEL_H[7:4]=4'b0
gpio3_port[22]	CIF_D10/PCIE30X4_PERSTN_M2/HDMI_TX1_SCL_M1/SPI3_MISO_M3/GPIO3_C6_u	BUS_IOC_GPIO3C_IOMUX_SEL_H[11:8]=4'b0

<b>Module Pin</b>	<b>Pad Name</b>	<b>IOMUX Setting</b>
gpio3_port[23]	CIF_D11/PCIE20X1_2_CLKREQN_M0/HDMI_TX0_SCL_M2/I2C5_SCL_M0/SPI3_MOSI_M3/GPIO3_C7_u	BUS_IOC_GPIO3C_IOMUX_SEL_H[15:12]=4'b0
gpio3_port[24]	CIF_D12/PCIE20X1_2_WAKEN_M0/HDMI_TX0_SDA_M2/I2C5_SDA_M0/UART4_RX_M1/PWM8_M2/SPI3_CLK_M3/GPIO3_D0_u	BUS_IOC_GPIO3D_IOMUX_SEL_L[3:0]=4'b0
gpio3_port[25]	CIF_D13/PCIE20X1_2_PERSTN_M0/HDMI_RX_CEC_M1/UART4_TX_M1/PWM9_M2/SPI0_MISO_M3/GPIO3_D1_d	BUS_IOC_GPIO3D_IOMUX_SEL_L[7:4]=4'b0
gpio3_port[26]	CIF_D14/PCIE30X2_CLKREQN_M2/HDMI_RX_SCL_M1/I2C7_SCL_M2/UART9_RTSN_M2/SPI0_MOSI_M3/GPIO3_D2_d	BUS_IOC_GPIO3D_IOMUX_SEL_L[11:8]=4'b0
gpio3_port[27]	CIF_D15/PCIE30X2_WAKEN_M2/HDMI_RX_SDA_M1/I2C7_SDA_M2/UART9_CTSN_M2/PWM10_M2/SPI0_CLK_M3/GPIO3_D3_d	BUS_IOC_GPIO3D_IOMUX_SEL_L[15:12]=4'b0
gpio3_port[28]	HDMI_TX0_HPDI_M1/PCIE30X2_PERSTN_M2/HDMI_RX_HPDIOUT_M1/MCU_JTAG_TCK_M1/UART9_RX_M2/SPI0_CS0_M3/GPIO3_D4_d	BUS_IOC_GPIO3D_IOMUX_SEL_H[3:0]=4'b0
gpio3_port[29]	PCIE30X4_BUTTON_RSTN/DP1_HPDI_M0/MCU_JTAG_TMS_M1/UART9_TX_M2/PWM11_IR_M3/SPI0_CS1_M3/GPIO3_D5_d	BUS_IOC_GPIO3D_IOMUX_SEL_H[7:4]=4'b0
<b>GPIO4 Interface</b>		
gpio4_port[0]	CIF_D0/BT1120_D0/I2S1_MCLK_M0/PCIE30X1_1_CLKREQN_M1/UART9_RTSN_M1/SPI0_MISO_M1/GPIO4_A0_d	BUS_IOC_GPIO4A_IOMUX_SEL_L[3:0]=4'b0
gpio4_port[1]	CIF_D1/BT1120_D1/I2S1_SCLK_M0/PCIE30X1_1_WAKEN_M1/UART9_CTSN_M1/SPI0_MOSI_M1/GPIO4_A1_d	BUS_IOC_GPIO4A_IOMUX_SEL_L[7:4]=4'b0
gpio4_port[2]	CIF_D2/BT1120_D2/I2S1_LRCK_M0/PCIE30X1_1_PERSTN_M1/SPI0_CLK_M1/GPIO4_A2_d	BUS_IOC_GPIO4A_IOMUX_SEL_L[11:8]=4'b0
gpio4_port[3]	CIF_D3/BT1120_D3/PCIE30X1_0_CLKREQN_M1/UART0_TX_M2/GPIO4_A3_d	BUS_IOC_GPIO4A_IOMUX_SEL_L[15:12]=4'b0
gpio4_port[4]	CIF_D4/BT1120_D4/PCIE30X1_0_WAKEN_M1/I2C3_SCL_M2/UART0_RX_M2/SPI2_MISO_M1/GPIO4_A4_d	BUS_IOC_GPIO4A_IOMUX_SEL_H[3:0]=4'b0

<b>Module Pin</b>	<b>Pad Name</b>	<b>IOMUX Setting</b>
gpio4_port[5]	CIF_D5/BT1120_D5/I2S1_SDI0_M0/PCIE30X1_0_PERSTN_M1/I2C3_SDA_M2/UART3_TX_M2/SPI2_MOSI_M1/GPIO4_A5_d	BUS_IOC_GPIO4A_IOMUX_SEL_H[7:4]=4'b0
gpio4_port[6]	CIF_D6/BT1120_D6/I2S1_SDI1_M0/PCIE30X2_CLKREQN_M1/I2C5_SCL_M2/UART3_RX_M2/SPI2_CLK_M1/GPIO4_A6_d	BUS_IOC_GPIO4A_IOMUX_SEL_H[11:8]=4'b0
gpio4_port[7]	CIF_D7/BT1120_D7/I2S1_SDI2_M0/PCIE30X2_WAKEN_M1/I2C5_SDA_M2/SPI2_CS0_M1/GPIO4_A7_d	BUS_IOC_GPIO4A_IOMUX_SEL_H[15:12]=4'b0
gpio4_port[8]	CIF_CLKIN/BT1120_CLKOUT/I2S1_SDI3_M0/PCIE30X2_PERSTN_M1/I2C6_SDA_M3/UART8_TX_M0/SPI2_CS1_M1/GPIO4_B0_d	BUS_IOC_GPIO4B_IOMUX_SEL_L[3:0]=4'b0
gpio4_port[9]	MIPI_CAMERA0_CLK_M0/SPDIF1_TX_M1/I2S1_SDO0_M0/PCIE30X1_0_BUTTON_RSTN/SATA2_ACT_LED_M0/I2C6_SCL_M3/UART8_RX_M0/SPI0_CS1_M1/GPIO4_B1_u	BUS_IOC_GPIO4B_IOMUX_SEL_L[7:4]=4'b0
gpio4_port[10]	CIF_HREF/BT1120_D8/I2S1_SDO1_M0/PCIE30X1_1_BUTTON_RSTN/I2C7_SCL_M3/UART8_RTSM_M0/PWM14_M1/SPI0_CS0_M1/CAN1_RX_M1/GPIO4_B2_u	BUS_IOC_GPIO4B_IOMUX_SEL_L[11:8]=4'b0
gpio4_port[11]	CIF_VSYNC/BT1120_D9/I2S1_SDO2_M0/PCIE20X1_2_BUTTON_RSTN/I2C7_SDA_M3/UART8_CTSN_M0/PWM15_IR_M1/CAN1_TX_M1/GPIO4_B3_u	BUS_IOC_GPIO4B_IOMUX_SEL_L[15:12]=4'b0
gpio4_port[12]	CIF_CLKOUT/BT1120_D10/I2S1_SDO3_M0/PCIE30X4_CLKREQN_M1/DP0_HPDI_M0/SPDIF0_TX_M1/UART9_TX_M1/PWM11_IR_M1/GPIO4_B4_u	BUS_IOC_GPIO4B_IOMUX_SEL_H[3:0]=4'b0
gpio4_port[13]	BT1120_D11/PCIE30X4_WAKEN_M1/HDMI_RX_CEC_M0/SATA1_ACT_LED_M0/UART9_RX_M1/PWM12_M1/SPI3_MISO_M1/GPIO4_B5_d	BUS_IOC_GPIO4B_IOMUX_SEL_H[7:4]=4'b0
gpio4_port[14]	BT1120_D12/PCIE30X4_PERSTN_M1/HDMI_RX_HPDI_M0/SATA0_ACT_LED_M0/I2C5_SCL_M1/PWM13_M1/SPI3_MOSI_M1/GPIO4_B6_d	BUS_IOC_GPIO4B_IOMUX_SEL_H[11:8]=4'b0
gpio4_port[15]	BT1120_D13/PCIE20X1_2_CLKREQN_M1/HDMI_TX0_SCL_M0/I2C5_SDA_M1/SPI3_CLK_M1/GPIO4_B7_u	BUS_IOC_GPIO4B_IOMUX_SEL_H[15:12]=4'b0

<b>Module Pin</b>	<b>Pad Name</b>	<b>IOMUX Setting</b>
gpio4_port[16]	BT1120_D14/PCIE20X1_2_WAKEN_M1/HDMI_TX0_SDA_M0/I2C8_SCL_M3/SPI3_CS0_M1/GPIO4_C0_u	BUS_IOC_GPIO4C_IOMUX_SEL_L[3:0]=4'b0
gpio4_port[17]	BT1120_D15/SPDIF1_TX_M2/PCIE20X1_2_PERSTN_M1/HDMI_TX0_CEC_M0/I2C8_SDA_M3/PWM6_M1/SPI3_CS1_M1/GPIO4_C1_d	BUS_IOC_GPIO4C_IOMUX_SEL_L[7:4]=4'b0
gpio4_port[18]	GMAC0_RXDV_CRS/UART7_RTSM_M0/PWM2_M2/SPI3_CS0_M0/GPIO4_C2_d	BUS_IOC_GPIO4C_IOMUX_SEL_L[11:8]=4'b0
gpio4_port[19]	GMAC0_MCLKINOUT/I2S2_SDO_M0/I2C7_SCL_M1/PWM4_M1/SPI3_CS1_M0/GPIO4_C3_d	BUS_IOC_GPIO4C_IOMUX_SEL_L[15:12]=4'b0
gpio4_port[20]	GMAC0_MDC/I2C7_SDA_M1/UART9_RTSM_M0/PWM5_M2/SPI3_MISO_M0/GPIO4_C4_d	BUS_IOC_GPIO4C_IOMUX_SEL_H[3:0]=4'b0
gpio4_port[21]	GMAC0_MDIO/I2C0_SCL_M1/UART9_CTSN_M0/PWM6_M2/SPI3_MOSI_M0/GPIO4_C5_d	BUS_IOC_GPIO4C_IOMUX_SEL_H[7:4]=4'b0
gpio4_port[22]	GMAC0_TXER/I2C0_SDA_M1/UART7_CTSN_M0/PWM7_IR_M3/SPI3_CLK_M0/GPIO4_C6_d	BUS_IOC_GPIO4C_IOMUX_SEL_H[11:8]=4'b0
gpio4_port[24]	SDMMC_D0/PDM1_SDI3_M0/JTAG_TCK_M1/I2C3_SCL_M4/UART2_TX_M1/PWM8_M1/GPIO4_D0_u	BUS_IOC_GPIO4D_IOMUX_SEL_L[3:0]=4'b0
gpio4_port[25]	SDMMC_D1/PDM1_SDI2_M0/JTAG_TMS_M1/I2C3_SDA_M4/UART2_RX_M1/PWM9_M1/GPIO4_D1_u	BUS_IOC_GPIO4D_IOMUX_SEL_L[7:4]=4'b0
gpio4_port[26]	SDMMC_D2/PDM1_SDI1_M0/JTAG_TCK_M0/I2C8_SCL_M0/UART5_CTSN_M0/GPIO4_D2_u	BUS_IOC_GPIO4D_IOMUX_SEL_L[11:8]=4'b0
gpio4_port[27]	SDMMC_D3/PDM1_SDI0_M0/JTAG_TMS_M0/I2C8_SDA_M0/UART5_RTSM_M0/PWM10_M1/GPIO4_D3_u	BUS_IOC_GPIO4D_IOMUX_SEL_L[15:12]=4'b0
gpio4_port[28]	SDMMC_CMD/PDM1_CLK1_M0/MCU_JTAG_TCK_M0/CAN0_TX_M1/UART5_RX_M0/PWM7_IR_M1/GPIO4_D4_u	BUS_IOC_GPIO4D_IOMUX_SEL_H[3:0]=4'b0
gpio4_port[29]	SDMMC_CLK/PDM1_CLK0_M0/TEST_CLKOUT_M0/MCU_JTAG_TMS_M0/CAN0_RX_M1/UART5_TX_M0/GPIO4_D5_d	BUS_IOC_GPIO4D_IOMUX_SEL_H[7:4]=4'b0

Notes: Unused Module Pin is tied to zero!

## **20.6 Application Notes**

- Reading from an unused location or unused bits in a particular register always returns zeros. There is no error mechanism in the APB.
- Programming the GPIO registers for interrupt detection should be completed prior to enabling the interrupts in order to prevent spurious glitches on the interrupt output signal to the interrupt controller.

Rockchip Confidential



## Chapter 21 I2C Interface

### 21.1 Overview

The Inter-Integrated Circuit (I2C) is a two wired (SCL and SDA), bi-directional serial bus that provides an efficient and simple method of information exchange between devices. This I2C bus controller supports master mode acting as a bridge between AMBA protocol and generic I2C bus system.

I2C Controller supports the following features:

- Support 9 independent I2C: I2C0~8, with 42 pairs IOs.
- Item Compatible with I2C-bus
- AMBA APB slave interface
- Supports master mode of I2C bus
- Software programmable clock frequency and transfer rate up to 400Kbit/sec
- Supports 7 bits and 10 bits addressing modes
- Interrupt or polling driven multiple bytes data transfer
- Clock stretching and wait state generation
- Filter out glitch on SCL and SDA

### 21.2 Block Diagram

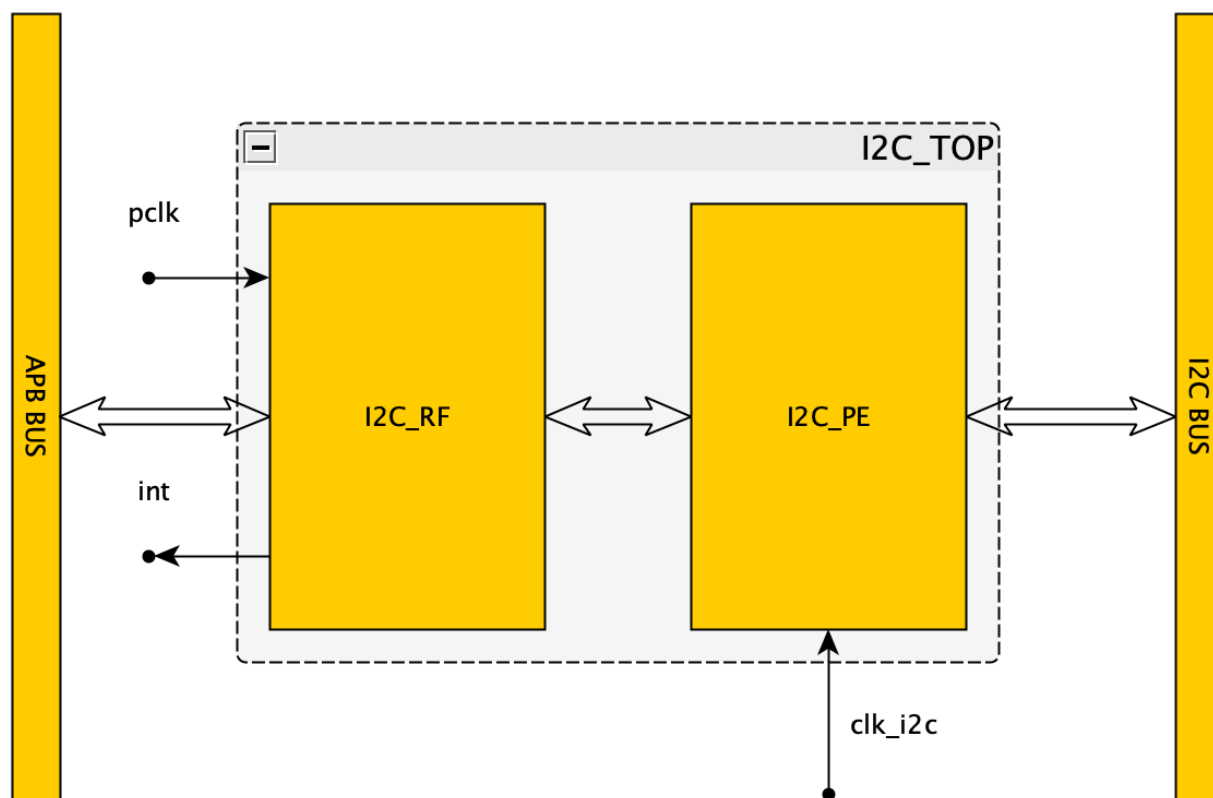


Fig. 21-1 I2C architecture

#### 21.2.1 I2C\_RF

I2C\_RF module is used to control the I2C controller operation by the host with APB interface. It implements the register set and the interrupt functionality. The I2C\_RF component operates synchronously with the pclk.

#### 21.2.2 I2C\_PE

I2C\_PE module implements the I2C master operation for transmit data to and receive data from other I2C devices. The I2C master controller operates synchronously with the clk\_i2c.

### **21.2.3 I2C\_TOP**

I2C\_TOP module is the top module of the I2C controller.

## **21.3 Function Description**

This chapter provides a description about the functions and behavior under various conditions.

The I2C controller supports only Master function. It supports the 7-bits/10-bits addressing mode and support general call address. The maximum clock frequency and transfer rate can be up to 400Kbit/sec.

The operations of I2C controller is divided to 2 parts and described separately: initialization and master mode programming.

### **21.3.1 Initialization**

The I2C controller is based on AMBA APB bus architecture and usually is part of a SOC. So before I2C operates, some system setting and configuration must be conformed, which includes:

- I2C interrupt connection type: CPU interrupt scheme should be considered. If the I2C interrupt is connected to extra Interrupt Controller module, we need decide the INTC vector.
- I2C Clock Rate: The I2C controller uses the APB clock to configure controller and uses clk\_i2c as the working clock. The correct register setting is subject to the system requirement.

### **21.3.2 Master Mode Programming**

- SCL Clock  
When the I2C controller is programmed in Master mode, the SCL frequency is determined by I2C\_CLKDIV register. The SCL frequency is calculated by the following formula:  
$$\text{SCL Divisor} = 8 * (\text{CLKDIVL} + 1 + \text{CLKDIVH} + 1); \text{clk\_i2c} = 100\text{MHz} \sim 200\text{MHz}.$$
$$\text{SCL} = \text{clk\_i2c} / \text{SCLK Divisor}.$$
- Data Receiver Register Access  
When the I2C controller received MRXCNT bytes data, CPU can get the data through register RXDATA0 ~ RXDATA7. The controller can receive up to 32 bytes' data in one transaction.  
When MRXCNT register is written, the I2C controller will start to drive SCL to receive data.
- Transmit Transmitter Register  
Data to transmit are written to TXDATA0~7 by CPU. The controller can transmit up to 32 bytes' data in one transaction. The lower byte will be transmitted first.  
When MTXCNT register is written, the I2C controller will start to transmit data.
- Start Command  
Write 1 to I2C\_CON[3], the controller will send I2C start command.
- Stop Command  
Write 1 to I2C\_CON[4], the controller will send I2C stop command.
- I2C Operation mode  
There are four i2c operation modes.
  - When I2C\_CON[2:1] is 2'b00, the controller transmit all valid data in TXDATA0~TXDATA7 byte by byte. The controller will transmit lower byte first.
  - When I2C\_CON[2:1] is 2'b01, the controller will transmit device address in MRXADDR first (Write/Read bit = 0) and then transmit device register address in MRXRADDR. After that, the controller will assert restart signal and resend MRXADDR

- (Write/Read bit = 1). At last, the controller enter receive mode.
- When I2C\_CON[2:1] is 2'b10, the controller is in receive mode, it will trigger clock to read MRXCNT byte data.
- When I2C\_CON[2:1] is 2'b11, the controller will transmit device address in MRXADDR first (Write/Read bit = 1) and then transmit device register address in MRXRADDR. After that, the controller will assert restart signal and resend MRXADDR (Write/Read bit = 1). At last, the controller enter receive mode.
- Read/Write Command
  - When I2C\_OPMODE(I2C\_CON[2:1]) is 2'b01 or 2'b11, the Read/Write command bit is decided by controller itself.
  - In RX only mode (I2C\_CON[2:1] is 2'b10), the Read/Write command bit is decided by MRXADDR[0].
  - In TX only mode (I2C\_CON[[2:1] is 2'b00), the Read/Write command bit is decided by TXDATA[0].
- Master Interrupt Condition

There are 7 interrupt bits in I2C\_ISR register related to master mode.

  - Byte transmitted finish interrupt (Bit 0): The bit is asserted when Master completed transmitting a byte.
  - Byte received finish interrupt (Bit 1): The bit is asserted when Master completed receiving a byte.
  - MTXCNT bytes data transmitted finish interrupt (Bit 2): The bit is asserted when Master completed transmitting MTXCNT bytes.
  - MRXCNT bytes data received finish interrupt (Bit 3): The bit is asserted when Master completed receiving MRXCNT bytes.
  - Start interrupt (Bit 4): The bit is asserted when Master finished asserting start command to I2C bus.
  - Stop interrupt (Bit 5): The bit is asserted when Master finished asserting stop command to I2C bus.
  - NAK received interrupt (Bit 6): The bit is asserted when Master received a NAK handshake.
- Last byte acknowledge control
  - If I2C\_CON[5] is 1, the I2C controller will transmit NAK handshake to slave when the last byte received in RX only mode.
  - If I2C\_CON[5] is 0, the I2C controller will transmit ACK handshake to slave when the last byte received in RX only mode.
- How to handle NAK handshake received
  - If I2C\_CON[6] is 1, the I2C controller will stop all transactions when NAK handshake received. And the software should take responsibility to handle the problem.
  - If I2C\_CON[6] is 0, the I2C controller will ignore all NAK handshake received.
- I2C controller data transfer waveform
  - Bit transferring
    - ◆ Data Validity

The SDA line must be stable during the high period of SCL, and the data on SDA line can only be changed when SCL is in low state.

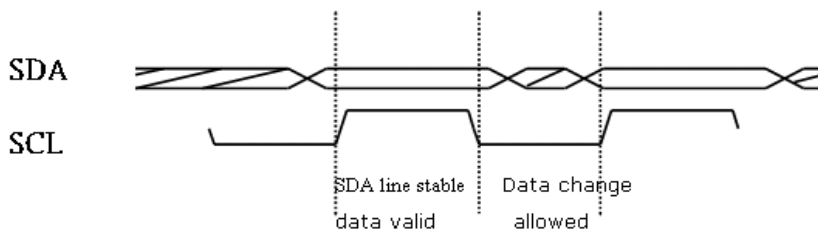


Fig. 21-2 I2C DATA Validity

- ◆ START and STOP conditions  
 START condition occurs when SDA goes low while SCL is in high period. STOP condition is generated when SDA line goes high while SCL is in high state.

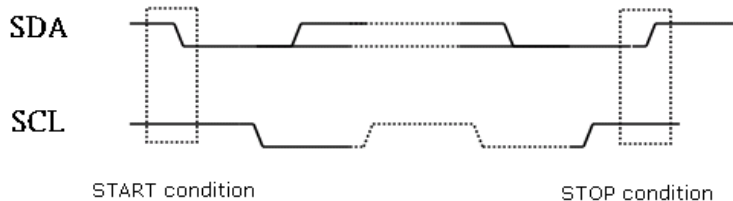


Fig. 21-3 I2C Start and stop conditions

- ◆ Data transfer
  - Acknowledge  
 After a byte of data transferring (clocks labeled as 1~8), in 9th clock the receiver must assert an ACK signal on SDA line, if the receiver pulls SDA line to low, it means "ACK", on the contrary, it's "NOT ACK".

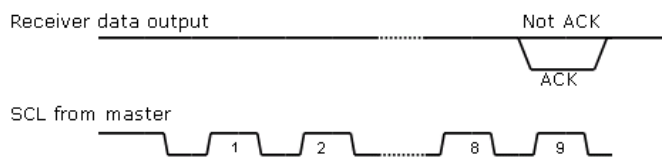


Fig. 21-4 I2C Acknowledge

- Byte transfer  
 The master own I2C bus might initiate multi byte to transfer to a slave. The transfer starts from a "START" command and ends in a "STOP" command. After every byte transfer, the receiver must reply an ACK to transmitter.

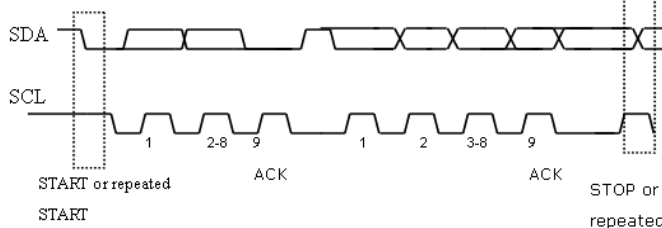


Fig. 21-5 I2C byte transfer

## 21.4 Register Description

### 21.4.1 Registers Summary

Name	Offset	Size	Reset Value	Description
RKI2C_CON	0x0000	W	0x00050000	Control register

Name	Offset	Size	Reset Value	Description
<u>RKI2C_CLKDIV</u>	0x0004	W	0x00000001	Clock divider register I2C CLK = PCLK / (16*CLKDIV)
<u>RKI2C_MRXADDR</u>	0x0008	W	0x00000000	The slave address accessed for master rx mode
<u>RKI2C_MRXRADDR</u>	0x000C	W	0x00000000	The slave register address accessed for master rx mode
<u>RKI2C_MTXCNT</u>	0x0010	W	0x00000000	Master transmit count, specify the total bytes to be transmit (0~32)
<u>RKI2C_MRXCNT</u>	0x0014	W	0x00000000	Master rx count, specify the total bytes to be recieved(0~32)
<u>RKI2C_IEN</u>	0x0018	W	0x00000000	Interrupt enable register
<u>RKI2C_IPD</u>	0x001C	W	0x00000000	Interrupt pending register
<u>RKI2C_FCNT</u>	0x0020	W	0x00000000	Finished count: the count of data which has been transmitted or received for debug purpose
<u>RKI2C_SCL_OE_DB</u>	0x0024	W	0x00000020	Slave hold debounce configure register
<u>RKI2C_TXDATA0</u>	0x0100	W	0x00000000	I2C tx data register 0
<u>RKI2C_TXDATA1</u>	0x0104	W	0x00000000	I2C tx data register 1
<u>RKI2C_TXDATA2</u>	0x0108	W	0x00000000	I2C tx data register 2
<u>RKI2C_TXDATA3</u>	0x010C	W	0x00000000	I2C tx data register 3
<u>RKI2C_TXDATA4</u>	0x0110	W	0x00000000	I2C tx data register 4
<u>RKI2C_TXDATA5</u>	0x0114	W	0x00000000	I2C tx data register 5
<u>RKI2C_TXDATA6</u>	0x0118	W	0x00000000	I2C tx data register 6
<u>RKI2C_TXDATA7</u>	0x011C	W	0x00000000	I2C tx data register 7
<u>RKI2C_RXDATA0</u>	0x0200	W	0x00000000	I2C rx data register 0
<u>RKI2C_RXDATA1</u>	0x0204	W	0x00000000	I2C rx data register 1
<u>RKI2C_RXDATA2</u>	0x0208	W	0x00000000	I2C rx data register 2
<u>RKI2C_RXDATA3</u>	0x020C	W	0x00000000	I2C rx data register 3
<u>RKI2C_RXDATA4</u>	0x0210	W	0x00000000	I2C rx data register 4
<u>RKI2C_RXDATA5</u>	0x0214	W	0x00000000	I2C rx data register 5
<u>RKI2C_RXDATA6</u>	0x0218	W	0x00000000	I2C rx data register 6
<u>RKI2C_RXDATA7</u>	0x021C	W	0x00000000	I2C rx data register 7
<u>RKI2C_ST</u>	0x0220	W	0x00000000	Status debug register
<u>RKI2C_DBGCTRL</u>	0x0224	W	0x00000000	Debug config register
<u>RKI2C_CON1</u>	0x0228	W	0x00000000	Control register

Notes: **Size: B**- Byte (8 bits) access, **HW**- Half WORD (16 bits) access, **W**-WORD (32 bits) access, **DW**- Double WORD (64 bits) access

### 21.4.2 Detail Registers Description

#### **RKI2C\_CON**

Address: Operational Base + offset (0x0000)

Bit	Attr	Reset Value	Description
31:16	RO	0x0005	version Rki2c version information.
15:14	RW	0x0	stop_setup Stop setup config. $TSU;sto = (stop\_setup + 1) * T(SCL\_HIGH) + Tclk\_i2c.$
13:12	RW	0x0	start_setup Start setup config. $TSU;sta = (start\_setup + 1) * T(SCL\_HIGH) + Tclk\_i2c.$ $THD;sta = (start\_setup + 2) * T(SCL\_HIGH) - Tclk\_i2c.$

Bit	Attr	Reset Value	Description
11:8	RW	0x0	data_upd_st SDA update point config. Used to config sda change state when scl is low, used to adjust setup/hold time. $4'bn: T_{hold} = (n + 1) * T_{clk\_i2c}$ . Note: $0 \leq n \leq 5$
7	RO	0x0	reserved
6	RW	0x0	act2nak Operation when NAK handshake is received. 1'b0: Ignored. 1'b1: Stop transaction.
5	RW	0x0	ack Last byte acknowledge control in master receive mode. 1'b0: ACK 1'b1: NAK
4	RW	0x0	stop Stop enable, when this bit is written to 1, I2C will generate stop signal.
3	RW	0x0	start Start enable, when this bit is written to 1, I2C will generate start signal.
2:1	RW	0x0	i2c_mode I2c mode select. 2'b00: Transmit only. 2'b01: Transmit address (device + register address) --> Restart -> Transmit address -> Receive only. 2'b10: Receive only. 2'b11: Transmit address (device + register address, write/read bit is 1) --> Restart --> Transmit address (device address) --> Receive data.
0	RW	0x0	i2c_en I2c module enable. 1'b0: Disable 1'b1: Enable

**RKI2C\_CLKDIV**

Address: Operational Base + offset (0x0004)

Bit	Attr	Reset Value	Description
31:16	RW	0x0000	CLKDIVH SCL high level clock count. $T(SCL\_HIGH) = T_{clk\_i2c} * (CLKDIVH + 1) * 8$ .
15:0	RW	0x0001	CLKDIVL SCL low level clock count. $T(SCL\_LOW) = T_{clk\_i2c} * (CLKDIVL + 1) * 8$ .

**RKI2C\_MRADDR**

Address: Operational Base + offset (0x0008)

Bit	Attr	Reset Value	Description
31:27	RO	0x00	reserved
26	RW	0x0	addhvld Address high byte valid. 1'b0: Invalid 1'b1: Valid

**RK3588 TRM-Part1**

Bit	Attr	Reset Value	Description
25	RW	0x0	addmvlid Address middle byte valid. 1'b0: Invalid 1'b1: Valid
24	RW	0x0	addlvlid Address low byte valid. 1'b0: Invalid 1'b1: Valid
23:0	RW	0x000000	saddr Master address register. The lowest bit indicate write or read. 24 bits address register.

**RKI2C MRXRADDR**

Address: Operational Base + offset (0x000C)

Bit	Attr	Reset Value	Description
31:27	RO	0x00	reserved
26	RW	0x0	sraddhvlid Address high byte valid. 1'b0: Invalid 1'b1: Valid
25	RW	0x0	sraddmvlid Address middle byte valid. 1'b0: Invalid 1'b1: Valid
24	RW	0x0	sraddlvlid Address low byte valid. 1'b0: Invalid 1'b1: Valid
23:0	RW	0x000000	sraddr Slave register address accessed. 24 bits register address

**RKI2C MTXCNT**

Address: Operational Base + offset (0x0010)

Bit	Attr	Reset Value	Description
31:6	RO	0x0000000	reserved
5:0	RW	0x00	mtxcnt Master transmit count. 6 bits counter

**RKI2C MRXCNT**

Address: Operational Base + offset (0x0014)

Bit	Attr	Reset Value	Description
31:6	RO	0x0000000	reserved
5:0	RW	0x00	mrxcnt Master rx count. 6 bits counter

**RKI2C IEN**

Address: Operational Base + offset (0x0018)

Bit	Attr	Reset Value	Description
31:8	RO	0x000000	reserved

Bit	Attr	Reset Value	Description
7	RW	0x0	slavehdsclen Slave hold scl interrupt enable. 1'b0: Disable 1'b1: Enable
6	RW	0x0	nakrcvien NAK handshake received interrupt enable. 1'b0: Disable 1'b1: Enable
5	RW	0x0	stopien Stop operation finished interrupt enable. 1'b0: Disable 1'b1: Enable
4	RW	0x0	startien Start operation finished interrupt enable. 1'b0: Disable 1'b1: Enable
3	RW	0x0	mbrfien MRXCNT data received finished interrupt enable. 1'b0: Disable 1'b1: Enable
2	RW	0x0	mbtfien MTXCNT data transfer finished interrupt enable. 1'b0: Disable 1'b1: Enable
1	RW	0x0	brfien Byte rx finished interrupt enable. 1'b0: Disable 1'b1: Enable
0	RW	0x0	btfien Byte tx finished interrupt enable. 1'b0: Disable 1'b1: Enable

**RKI2C IPD**

Address: Operational Base + offset (0x001C)

Bit	Attr	Reset Value	Description
31:8	RO	0x000000	reserved
7	RW	0x0	slavehdsclipd Slave hold scl interrupt pending bit. 1'b0: No interrupt available. 1'b1: Slave hold scl interrupt appear, write 1 to clear.
6	W1 C	0x0	nakrcvipd NAK handshake received interrupt pending bit. 1'b0: No interrupt available. 1'b1: NAK handshake received interrupt appear, write 1 to clear.
5	W1 C	0x0	stopipd Stop operation finished interrupt pending bit. 1'b0: No interrupt available. 1'b1: Stop operation finished interrupt appear, write 1 to clear.
4	W1 C	0x0	startipd Start operation finished interrupt pending bit. 1'b0: No interrupt available. 1'b1: Start operation finished interrupt appear, write 1 to clear.



Bit	Attr	Reset Value	Description
3	W1 C	0x0	mbrfipd MRXCNT data received finished interrupt pending bit. 1'b0: No interrupt available. 1'b1: MRXCNT data received finished interrupt appear, write 1 to clear.
2	W1 C	0x0	mbtfipd MTXCNT data transfer finished interrupt pending bit. 1'b0: No interrupt available. 1'b1: MTXCNT data transfer finished interrupt appear, write 1 to clear.
1	W1 C	0x0	brfipd Byte rx finished interrupt pending bit. 1'b0: No interrupt available. 1'b1: Byte rx finished interrupt appear, write 1 to clear.
0	W1 C	0x0	btfipd Byte tx finished interrupt pending bit. 1'b0: No interrupt available. 1'b1: Byte tx finished interrupt appear, write 1 to clear.

**RKI2C FCNT**

Address: Operational Base + offset (0x0020)

Bit	Attr	Reset Value	Description
31:6	RO	0x0000000	reserved
5:0	RO	0x00	fcnt The count of data which has been transmitted or received for debug purpose.

**RKI2C SCL OE DB**

Address: Operational Base + offset (0x0024)

Bit	Attr	Reset Value	Description
31:8	RO	0x000000	reserved
7:0	RW	0x20	scl_oe_db Slave hold scl debounce. Cycles for debounce (unit: Tclk_i2c).

**RKI2C TXDATA0**

Address: Operational Base + offset (0x0100)

Bit	Attr	Reset Value	Description
31:0	RW	0x00000000	txdata0 Data0 to be transmitted. 32 bits data

**RKI2C TXDATA1**

Address: Operational Base + offset (0x0104)

Bit	Attr	Reset Value	Description
31:0	RW	0x00000000	txdata1 Data1 to be transmitted. 32 bits data

**RKI2C TXDATA2**

Address: Operational Base + offset (0x0108)

**RK3588 TRM-Part1**

Bit	Attr	Reset Value	Description
31:0	RW	0x00000000	txdata2 Data2 to be transmitted. 32 bits data

**RKI2C\_TXDATA3**

Address: Operational Base + offset (0x010C)

Bit	Attr	Reset Value	Description
31:0	RW	0x00000000	txdata3 Data3 to be transmitted. 32 bits data

**RKI2C\_TXDATA4**

Address: Operational Base + offset (0x0110)

Bit	Attr	Reset Value	Description
31:0	RW	0x00000000	txdata4 Data4 to be transmitted. 32 bits data

**RKI2C\_TXDATA5**

Address: Operational Base + offset (0x0114)

Bit	Attr	Reset Value	Description
31:0	RW	0x00000000	txdata5 Data5 to be transmitted. 32 bits data

**RKI2C\_TXDATA6**

Address: Operational Base + offset (0x0118)

Bit	Attr	Reset Value	Description
31:0	RW	0x00000000	txdata6 Data6 to be transmitted. 32 bits data

**RKI2C\_TXDATA7**

Address: Operational Base + offset (0x011C)

Bit	Attr	Reset Value	Description
31:0	RW	0x00000000	txdata7 Data7 to be transmitted. 32 bits data

**RKI2C\_RXDATA0**

Address: Operational Base + offset (0x0200)

Bit	Attr	Reset Value	Description
31:0	RO	0x00000000	rxdata0 Data0 received. 32 bits data

**RKI2C\_RXDATA1**

Address: Operational Base + offset (0x0204)

Bit	Attr	Reset Value	Description
31:0	RO	0x00000000	rxdata1 Data1 received. 32 bits data

**RKI2C\_RXDATA2**

## ***RK3588 TRM-Part1***

Address: Operational Base + offset (0x0208)

<b>Bit</b>	<b>Attr</b>	<b>Reset Value</b>	<b>Description</b>
31:0	RO	0x00000000	rxdata2 Data2 received. 32 bits data

### **RKI2C\_RXDATA3**

Address: Operational Base + offset (0x020C)

<b>Bit</b>	<b>Attr</b>	<b>Reset Value</b>	<b>Description</b>
31:0	RO	0x00000000	rxdata3 Data3 received. 32 bits data

### **RKI2C\_RXDATA4**

Address: Operational Base + offset (0x0210)

<b>Bit</b>	<b>Attr</b>	<b>Reset Value</b>	<b>Description</b>
31:0	RO	0x00000000	rxdata4 Data4 received. 32 bits data

### **RKI2C\_RXDATA5**

Address: Operational Base + offset (0x0214)

<b>Bit</b>	<b>Attr</b>	<b>Reset Value</b>	<b>Description</b>
31:0	RO	0x00000000	rxdata5 Data5 received. 32 bits data

### **RKI2C\_RXDATA6**

Address: Operational Base + offset (0x0218)

<b>Bit</b>	<b>Attr</b>	<b>Reset Value</b>	<b>Description</b>
31:0	RO	0x00000000	rxdata6 Data6 received. 32 bits data

### **RKI2C\_RXDATA7**

Address: Operational Base + offset (0x021C)

<b>Bit</b>	<b>Attr</b>	<b>Reset Value</b>	<b>Description</b>
31:0	RO	0x00000000	rxdata7 Data7 received. 32 bits data

### **RKI2C\_ST**

Address: Operational Base + offset (0x0220)

<b>Bit</b>	<b>Attr</b>	<b>Reset Value</b>	<b>Description</b>
31:2	RO	0x00000000	reserved
1	RO	0x0	scl_st SCL status. 1'b0: SCL status low. 1'b0: SCL status high.
0	RO	0x0	sda_st SDA status. 1'b0: SDA status low. 1'b0: SDA status high.

### **RKI2C\_DBGCTRL**

**RK3588 TRM-Part1**

Address: Operational Base + offset (0x0224)

Bit	Attr	Reset Value	Description
31:15	RO	0x00000	reserved
14	RW	0x0	h0_check_scl 1'b0: Check if scl been pull down by slave at the whole SCL_HIGH. 1'b1: Check if scl been pull down by slave only at the h0 of SCL_HIGH(SCL_HIGH including h0~h7).
13	RW	0x0	nak_release_scl 1'b0: Hold scl as low when recieved nack. 1'b1: Release scl as high when recieved nack.
12	RW	0x0	flt_en SCL edage glitch filter enable. 1'b0: Disable 1'b1: Enable
11:8	RW	0x0	slv_hold_scl_th Slave hold scl threshold = slv_hold_scl_db * Tclk_i2c.
7:4	RW	0x0	flt_r Filter scl rising edge glitches of width less than flt_r * Tclk_i2c.
3:0	RW	0x0	flt_f Filter scl falling edge glitches of width less than flt_f * Tclk_i2c.

**RKI2C CON1**

Address: Operational Base + offset (0x0228)

Bit	Attr	Reset Value	Description
31:3	RO	0x00000000	reserved
2	RW	0x0	auto_stop_nak Auto stop when i2c master recieved nak from slave. Work when CON1[0]=1'b1. 1'b0: Do not auto stop when recieved nak. 1'b1: Auto stop when recieved nak.
1	RW	0x0	auto_stop_tx_end Auto stop when i2c master tx end. Work when CON1[0]=1'b1. 1'b0: Do not auto stop when tx end. 1'b1: Auto stop when tx end.
0	RW	0x0	auto_stop Auto stop when i2c master recieved nak from slave or tx end. 1'b0: Do not auto stop when recieved nak or tx end. 1'b1: Auto stop when recieved nak or tx end.

## 21.5 Interface Description

Table 21-1 I2C Interface Description

Module pin	Direction	Pin name	IOMUX
I2C0_SCL_M0	I/O	SPI2_MISO_M2/I2C0_SCL_M0/GPIO0_B3_z	PMU1_IOC_GPIO0B_IOMUX_S EL_L[15:12]=0x2
I2C0_SDA_M0	I/O	SPI2_MOSI_M2/I2C0_SDA_M0/GPIO0_A6_z	PMU1_IOC_GPIO0A_IOMUX_S EL_H[11:8]=0x2
I2C0_SCL_M1	I/O	GMAC0_MDIO/I2C0_SCL_M1/UART9_CTSN_M0/PWM6_M2/SPI3_MOSI_M0/GPIO4_C5_d	BUS_IOC_GPIO4C_IOMUX_SEL _H[7:4]=0x9
I2C0_SDA_M1	I/O	GMAC0_TXER/I2C0_SDA_M1/UART7_CTSN_M0/PWM7_IR_M3/SPI3_CLK_M0/GPIO4_C6_d	BUS_IOC_GPIO4C_IOMUX_SEL _H[11:8]=0x9
I2C0_SCL_M2	I/O	I2S1_SDO0_M1/CPU_BIG0_AVS/I2C0_SCL_M2/UART0_CTSN/UART1_TX_M2/HDMI_RX_SDA_M0/SPI0_CS0_M0/PCIE30X2_CLKREQN_M0/HDMI_TX0_CEC_M1/GPIO0_D1_u	PMU1_IOC_GPIO0D_IOMUX_S EL_L[7:4]=0x3
I2C0_SDA_M2	I/O	I2S1_SDO1_M1/I2C0_SDA_M2/UART1_RX_M2/HDMI_RX_SCL_M0/SPI3_MOSI_M2/PCIE30X2_WAKEN_M0/HDMI_TX1_CEC_M1/GPIO0_D2_u	PMU1_IOC_GPIO0D_IOMUX_S EL_L[11:8]=0x3
I2C1_SCL_M0	I/O	I2S1_MCLK_M1/JTAG_TCK_M2/I2C1_SCL_M0/UART2_TX_M0/PCIE30X1_1_CLKREQN_M0/GPIO0_B5_d	BUS_IOC_GPIO0B_IOMUX_SEL _H[7:4]=0x9 PMU2_IOC_GPIO0B_IOMUX_S EL_H[7:4]=0x8
I2C1_SDA_M0	I/O	I2S1_SCLK_M1/JTAG_TMS_M2/I2C1_SDA_M0/UART2_RX_M0/PCIE30X1_1_WAKEN_M0/GPIO0_B6_d	BUS_IOC_GPIO0B_IOMUX_SEL _H[11:8]=0x9 PMU2_IOC_GPIO0B_IOMUX_S EL_H[11:8]=0x8
I2C1_SCL_M1	I/O	SPI2_CS1_M2/I2C1_SCL_M1/UART0_RX_M1/GPIO0_B0_z	PMU1_IOC_GPIO0B_IOMUX_S EL_L[3:0]=0x2
I2C1_SDA_M1	I/O	SPI2_CS0_M2/I2C1_SDA_M1/PWM5_M0/UART0_TX_M1/GPIO0_B1_z	PMU1_IOC_GPIO0B_IOMUX_S EL_L[7:4]=0x2
I2C1_SCL_M2	I/O	I2S1_SDO2_M1/PDM0_SDI2_M1/PWM3_IR_M0/I2C1_SCL_M2/CAN2_RX_M1/HDMI_TX0_SDA_M1/SPI3_CS0_M2/PCIE30X2_PERSTN_M0/SATA_CPDET/GPIO0_D4_u	BUS_IOC_GPIO0D_IOMUX_SEL _H[3:0]=0x9 PMU2_IOC_GPIO0D_IOMUX_S EL_H[3:0]=0x8
I2C1_SDA_M2	I/O	I2S1_SDO3_M1/CPU_BIG1_AVS/I2C1_SDA_M2/CAN2_TX_M1/HDMI_TX0_SCL_M1/SPI3_CS1_M2/SATA_MP_SWITC H/GPIO0_D5_u	BUS_IOC_GPIO0D_IOMUX_SEL _H[7:4]=0x9 PMU2_IOC_GPIO0D_IOMUX_S EL_H[7:4]=0x8
I2C1_SCL_M3	I/O	EMMC_D4/I2C1_SCL_M3/UART5_RX_M2/GPIO2_D4_u	BUS_IOC_GPIO2D_IOMUX_SEL _H[3:0]=0x9
I2C1_SDA_M3	I/O	EMMC_D5/I2C1_SDA_M3/UART5_TX_M2/GPIO2_D5_u	BUS_IOC_GPIO2D_IOMUX_SEL _H[7:4]=0x9

Module pin	Direction	Pin name	IOMUX
I2C1_SCL_M4	I/O	I2S0_SDO3/I2S0_SDI2/PDM0_SDI2_M0/I2C1_SCL_M4/UART4_TX_M0/PWM0_M1/SPI1_CLK_M2/GPIO1_D2_d	BUS_IOC_GPIO1D_IOMUX_SEL_L[11:8]=0x9
I2C1_SDA_M4	I/O	I2S0_SDI1/PDM0_SDI3_M0/I2C1_SDA_M4/UART4_RX_M0/PWM1_M1/SPI1_CS0_M2/GPIO1_D3_d	BUS_IOC_GPIO1D_IOMUX_SEL_L[15:12]=0x9
I2C2_SCL_M0	I/O	I2S1_LRCK_M1/PWM0_M0/I2C2_SCL_M0/CAN0_TX_M0/SPI0_CS1_M0/PCIE30X1_1_PERSTN_M0/GPIO0_B7_d	BUS_IOC_GPIO0B_IOMUX_SEL_H[15:12]=0x9 PMU2_IOC_GPIO0B_IOMUX_SEL_H[15:12]=0x8
I2C2_SDA_M0	I/O	PDM0_CLK0_M1/PWM1_M0/I2C2_SDA_M0/CAN0_RX_M0/SPI0_MOSI_M0/PCIE30X1_0_CLKREQN_M0/GPIO0_C0_d	BUS_IOC_GPIO0C_IOMUX_SEL_L[3:0]=0x9 PMU2_IOC_GPIO0C_IOMUX_SEL_L[3:0]=0x8
I2C2_SCL_M1	I/O	GMAC0_RXD0/I2C2_SCL_M1/UART1_CTSN_M0/SPI1_MISO_M0/GPIO2_C1_d	BUS_IOC_GPIO2C_IOMUX_SEL_L[7:4]=0x9
I2C2_SDA_M1	I/O	GMAC0_TXEN/I2S2_LRCK_M0/I2C2_SDA_M1/UART1_RTSN_M0/SPI1_CLK_M0/GPIO2_C0_d	BUS_IOC_GPIO2C_IOMUX_SEL_L[3:0]=0x9
I2C2_SCL_M2	I/O	EMMC_RSTN/I2C2_SCL_M2/UART5_RTSN_M1/GPIO2_A3_d	BUS_IOC_GPIO2A_IOMUX_SEL_L[15:12]=0x9
I2C2_SDA_M2	I/O	EMMC_DATA_STROBE/I2C2_SDA_M2/UART5_CTSN_M1/GPIO2_A2_d	BUS_IOC_GPIO2A_IOMUX_SEL_L[11:8]=0x9
I2C2_SCL_M3	I/O	I2S0_LRCK/I2C2_SCL_M3/UART4_RTSN/GPIO1_C5_d	BUS_IOC_GPIO1C_IOMUX_SEL_H[7:4]=0x9
I2C2_SDA_M3	I/O	PDM0_CLK1_M0/I2C2_SDA_M3/PWM11_IR_M2/SPI4_CS1_M0/GPIO1_C4_d	BUS_IOC_GPIO1C_IOMUX_SEL_H[3:0]=0x9
I2C2_SCL_M4	I/O	PCIE30X1_1_WAKEN_M2/DP1_HPDI_M2/SATA1_ACT_LED_M1/I2C2_SCL_M4/UART6_TX_M1/SPI4_MOSI_M2/GPIO1_A1_d	BUS_IOC_GPIO1A_IOMUX_SEL_L[7:4]=0x9
I2C2_SDA_M4	I/O	PCIE30X1_1_CLKREQN_M2/DP0_HPDI_M2/I2C2_SDA_M4/UART6_RX_M1/SPI4_MISO_M2/GPIO1_A0_d	BUS_IOC_GPIO1A_IOMUX_SEL_L[3:0]=0x9
I2C3_SCL_M0	I/O	I2C3_SCL_M0/UART3_TX_M0/SPI4_MOSI_M0/GPIO1_C1_z	BUS_IOC_GPIO1C_IOMUX_SEL_L[7:4]=0x9
I2C3_SDA_M0	I/O	I2C3_SDA_M0/UART3_RX_M0/SPI4_MISO_M0/GPIO1_C0_z	BUS_IOC_GPIO1C_IOMUX_SEL_L[3:0]=0x9
I2C3_SCL_M1	I/O	GMAC1_PTP_REF_CLK/HDMI_TX1_HPDI_M1/I2C3_SCL_M1/SPI1_MOSI_M1/GPIO3_B7_d	BUS_IOC_GPIO3B_IOMUX_SEL_H[15:12]=0x9
I2C3_SDA_M1	I/O	GMAC1_PPSTRIG/I2C3_SDA_M1/UART7_TX_M1/SPI1_MISO_M1/GPIO3_C0_d	BUS_IOC_GPIO3C_IOMUX_SEL_L[3:0]=0x9
I2C3_SCL_M2	I/O	CIF_D4/BT1120_D4/PCIE30X1_0_WAKEN_M1/I2C3_SCL_M2/UART0_RX_M2/SPI2_MISO_M1/GPIO4_A4_d	BUS_IOC_GPIO4A_IOMUX_SEL_H[3:0]=0x9
I2C3_SDA_M2	I/O	CIF_D5/BT1120_D5/I2S1_SDI0_M0/PCIE30X1_0_PERSTN_M1/I2C3_SDA_M2/UART3_TX_M2/SPI2_MOSI_M1/GPIO4_A5_d	BUS_IOC_GPIO4A_IOMUX_SEL_H[7:4]=0x9

Module pin	Direction	Pin name	IOMUX
I2C3_SCL_M3	I/O	GMAC0_TXD3/SDIO_CMD_M0/I2C3_SCL_M3/GPIO2_B2_u	BUS_IOC_GPIO2B_IOMUX_SEL_L[11:8]=0x9
I2C3_SDA_M3	I/O	GMAC0_TXCLK/SDIO_CLK_M0/FSPI_CLK_M1/I2C3_SDA_M3/GPIO2_B3_d	BUS_IOC_GPIO2B_IOMUX_SEL_L[15:12]=0x9
I2C3_SCL_M4	I/O	SDMMC_D0/PDM1_SDI3_M0/JTAG_TCK_M1/I2C3_SCL_M4/UART2_TX_M1/PWM8_M1/GPIO4_D0_u	BUS_IOC_GPIO4D_IOMUX_SEL_L[3:0]=0x9
I2C3_SDA_M4	I/O	SDMMC_D1/PDM1_SDI2_M0/JTAG_TMS_M1/I2C3_SDA_M4/UART2_RX_M1/PWM9_M1/GPIO4_D1_u	BUS_IOC_GPIO4D_IOMUX_SEL_L[7:4]=0x9
I2C4_SCL_M0	I/O	ETH1_REFCLKO_25M/MIPI_CAMERA1_CLK_M1/I2C4_SCL_M0/GPIO3_A6_d	BUS_IOC_GPIO3A_IOMUX_SEL_H[11:8]=0x9
I2C4_SDA_M0	I/O	GMAC1_RXCLK/SDIO_CLK_M1/MIPI_CAMERA0_CLK_M1/FSPI_CLK_M2/I2C4_SDA_M0/UART8_CTSN_M1/GPIO3_A5_d	BUS_IOC_GPIO3A_IOMUX_SEL_H[7:4]=0x9
I2C4_SCL_M1	I/O	GMAC0_PPSTRING/FSPI_CS1N_M1/HDMI_TX1_SCL_M0/I2C4_SCL_M1/UART7_TX_M0/GPIO2_B5_u	BUS_IOC_GPIO2B_IOMUX_SEL_H[7:4]=0x9
I2C4_SDA_M1	I/O	GMAC0_PTP_REFCLK/FSPI_CS0N_M1/HDMI_TX1_SDA_M0/I2C4_SDA_M1/UART7_RX_M0/GPIO2_B4_u	BUS_IOC_GPIO2B_IOMUX_SEL_H[3:0]=0x9
I2C4_SCL_M2	I/O	I2S1_SDI0_M1/GPU_AVS/UART0_TX_M0/I2C4_SCL_M2/DP1_HPDIN_M1/PWM4_M0/PCIE30X1_0_PERSTN_M0/GPIO0_C5_u	BUS_IOC_GPIO0C_IOMUX_SEL_H[7:4]=0x9 PMU2_IOC_GPIO0C_IOMUX_SEL_H[7:4]=0x8
I2C4_SDA_M2	I/O	PDM0_CLK1_M1/PWM2_M0/UART0_RX_M0/I2C4_SDA_M2/DP0_HPDIN_M1/PCIE30X1_0_WAKEN_M0/GPIO0_C4_d	BUS_IOC_GPIO0C_IOMUX_SEL_H[3:0]=0x9 PMU2_IOC_GPIO0C_IOMUX_SEL_H[3:0]=0x8
I2C4_SCL_M3	I/O	HDMI_TX1_SDA_M2/I2C4_SCL_M3/UART6_CTSN_M1/PWM1_M2/SPI4_CS0_M2/GPIO1_A3_d	BUS_IOC_GPIO1A_IOMUX_SEL_L[15:12]=0x9
I2C4_SDA_M3	I/O	VOP_POST_EMPTY/I2C4_SDA_M3/UART6_RTSN_M1/PWM0_M2/SPI4_CLK_M2/GPIO1_A2_d	BUS_IOC_GPIO1A_IOMUX_SEL_L[11:8]=0x9
I2C4_SCL_M4	I/O	I2S0_SDO0/I2C4_SCL_M4/UART4_CTSN/GPIO1_C7_d	BUS_IOC_GPIO1C_IOMUX_SEL_H[15:12]=0x9
I2C4_SDA_M4	I/O	PDM0_CLK0_M0/I2C4_SDA_M4/PWM15_IR_M2/GPIO1_C6_d	BUS_IOC_GPIO1C_IOMUX_SEL_H[11:8]=0x9
I2C5_SCL_M0	I/O	CIF_D11/PCIE20X1_2_CLKREQN_M0/HDMI_TX0_SCL_M2/I2C5_SCL_M0/SPI3_MOSI_M3/GPIO3_C7_u	BUS_IOC_GPIO3C_IOMUX_SEL_H[15:12]=0x9
I2C5_SDA_M0	I/O	CIF_D12/PCIE20X1_2_WAKEN_M0/HDMI_TX0_SDA_M2/I2C5_SDA_M0/UART4_RX_M1/PWM8_M2/SPI3_CLK_M3/GPIO3_D0_u	BUS_IOC_GPIO3D_IOMUX_SEL_L[3:0]=0x9
I2C5_SCL_M1	I/O	BT1120_D12/PCIE30X4_PERSTN_M1/HDMI_RX_HPDOOUT_M0/SATA0_ACT_LED_M0/I2C5_SCL_M1/PWM13_M1/SPI3_MOSI_M1/GPIO4_B6_d	BUS_IOC_GPIO4B_IOMUX_SEL_H[11:8]=0x9
I2C5_SDA_M1	I/O	BT1120_D13/PCIE20X1_2_CLKREQN_M1/HDMI_TX0_SCL_M0/I2C5_SDA_M1/SPI3_CLK_M1/GPIO4_B7_u	BUS_IOC_GPIO4B_IOMUX_SEL_H[15:12]=0x9

Module pin	Direction	Pin name	IOMUX
I2C5_SCL_M2	I/O	CIF_D6/BT1120_D6/I2S1_SDI1_M0/PCIE30X2_CLKREQN_M1/I2C5_SCL_M2/UART3_RX_M2/SPI2_CLK_M1/GPIO4_A6_d	BUS_IOC_GPIO4A_IOMUX_SEL_H[11:8]=0x9
I2C5_SDA_M2	I/O	CIF_D7/BT1120_D7/I2S1_SDI2_M0/PCIE30X2_WAKEN_M1/I2C5_SDA_M2/SPI2_CS0_M1/GPIO4_A7_d	BUS_IOC_GPIO4A_IOMUX_SEL_H[15:12]=0x9
I2C5_SCL_M3	I/O	MIPI_CAMERA1_CLK_M0/SPDIF0_TX_M0/PCIE30X2_WAKEN_M3/HDMI_RX_HPDPDOUT_M2/I2C5_SCL_M3/UART1_TX_M1/GPIO1_B6_d	BUS_IOC_GPIO1B_IOMUX_SEL_H[11:8]=0x9
I2C5_SDA_M3	I/O	MIPI_CAMERA2_CLK_M0/SPDIF1_TX_M0/PCIE30X2_PERSTN_M3/HDMI_RX_CEC_M2/SATA2_ACT_LED_M1/I2C5_SDA_M3/UART1_RX_M1/PWM13_M2/GPIO1_B7_u	BUS_IOC_GPIO1B_IOMUX_SEL_H[15:12]=0x9
I2C5_SCL_M4	I/O	GMAC0_TXD0/I2S2_MCLK_M0/I2C5_SCL_M4/UART1_RX_M0/GPIO2_B6_d	BUS_IOC_GPIO2B_IOMUX_SEL_H[11:8]=0x9
I2C5_SDA_M4	I/O	GMAC0_TXD1/I2S2_SCLK_M0/I2C5_SDA_M4/UART1_TX_M0/GPIO2_B7_d	BUS_IOC_GPIO2B_IOMUX_SEL_H[15:12]=0x9
I2C6_SCL_M0	I/O	I2S1_SDI3_M1/PDM0_SDI1_M1/I2C6_SCL_M0/UART1_CTSN_M2/PWM7_IR_M0/SPI3_MISO_M2/PCIE30X4_PERSTN_M0/GPIO0_D0_d	BUS_IOC_GPIO0D_IOMUX_SEL_L[3:0]=0x9
I2C6_SDA_M0	I/O	I2S1_SDI2_M1/PDM0_SDI0_M1/I2C6_SDA_M0/UART1_RTSN_M2/PWM6_M0/SPI0_MISO_M0/PCIE30X4_WAKEN_M0/GPIO0_C7_d	BUS_IOC_GPIO0C_IOMUX_SEL_H[15:12]=0x9
I2C6_SCL_M1	I/O	I2S0_SCLK/I2C6_SCL_M1/UART3_CTSN/PWM7_IR_M2/SPI4_CS0_M0/GPIO1_C3_d	BUS_IOC_GPIO1C_IOMUX_SEL_L[15:12]=0x9
I2C6_SDA_M1	I/O	I2S0_MCLK/I2C6_SDA_M1/UART3_RTSN/PWM3_IR_M2/SPI4_CLK_M0/GPIO1_C2_d	BUS_IOC_GPIO1C_IOMUX_SEL_L[11:8]=0x9
I2C6_SCL_M2	I/O	ETH0_REFCLKO_25M/I2S2_SDI_M0/I2C6_SCL_M2/SPI1_CS0_M0/GPIO2_C3_d	BUS_IOC_GPIO2C_IOMUX_SEL_L[15:12]=0x9
I2C6_SDA_M2	I/O	GMAC0_RXD1/I2C6_SDA_M2/UART9_TX_M0/SPI1_MOSI_M0/GPIO2_C2_d	BUS_IOC_GPIO2C_IOMUX_SEL_L[11:8]=0x9
I2C6_SCL_M3	I/O	MIPI_CAMERA0_CLK_M0/SPDIF1_TX_M1/I2S1_SDO0_M0/PCIE30X1_0_BUTTON_RSTN/SATA2_ACT_LED_M0/I2C6_SCL_M3/UART8_RX_M0/SPI0_CS1_M1/GPIO4_B1_u	BUS_IOC_GPIO4B_IOMUX_SEL_L[7:4]=0x9
I2C6_SDA_M3	I/O	CIF_CLKIN/BT1120_CLKOUT/I2S1_SDI3_M0/PCIE30X2_PERSTN_M1/I2C6_SDA_M3/UART8_TX_M0/SPI2_CS1_M1/GPIO4_B0_d	BUS_IOC_GPIO4B_IOMUX_SEL_L[3:0]=0x9
I2C6_SCL_M4	I/O	GMAC1_TXD3/SDIO_D1_M1/I2S3_SCLK/AUDDSM_LN/FSPI_D1_M2/I2C6_SCL_M4/PWM11_IR_M0/SPI4_MOSI_M1/GPIO3_A1_u	BUS_IOC_GPIO3A_IOMUX_SEL_L[7:4]=0x9
I2C6_SDA_M4	I/O	GMAC1_TXD2/SDIO_D0_M1/I2S3_MCLK/FSPI_D0_M2/I2C6_SDA_M4/PWM10_M0/SPI4_MISO_M1/GPIO3_A0_u	BUS_IOC_GPIO3A_IOMUX_SEL_L[3:0]=0x9
I2C7_SCL_M0	I/O	I2S0_SDO1/I2C7_SCL_M0/UART6_TX_M2/SPI1_MISO_M2/GPIO1_D0_d	BUS_IOC_GPIO1D_IOMUX_SEL_L[3:0]=0x9
I2C7_SDA_M0	I/O	I2S0_SDO2/I2S0_SDI3/PDM0_SDI1_M0/I2C7_SDA_M0/UART6_RX_M2/SPI1_MOSI_M2/GPIO1_D1_d	BUS_IOC_GPIO1D_IOMUX_SEL_L[7:4]=0x9
I2C7_SCL_M1	I/O	GMAC0_MCLKINOUT/I2S2_SDO_M0/I2C7_SCL_M1/PWM4_M1/SPI3_CS1_M0/GPIO4_C3_d	BUS_IOC_GPIO4C_IOMUX_SEL_L[15:12]=0x9
I2C7_SDA_M1	I/O	GMAC0_MDC/I2C7_SDA_M1/UART9_RTSN_M0/PWM5_M2/SPI3_MISO_M0/GPIO4_C4_d	BUS_IOC_GPIO4C_IOMUX_SEL_H[3:0]=0x9



Module pin	Direction	Pin name	IOMUX
I2C7_SCL_M2	I/O	CIF_D14/PCIE30X2_CLKREQN_M2/HDMI_RX_SCL_M1/I2C7_SCL_M2/UART9_RTSN_M2/SPI0_MOSI_M3/GPIO3_D2_d	BUS_IOC_GPIO3D_IOMUX_SEL_L[11:8]=0x9
I2C7_SDA_M2	I/O	CIF_D15/PCIE30X2_WAKEN_M2/HDMI_RX_SDA_M1/I2C7_SDA_M2/UART9_CTSN_M2/PWM10_M2/SPI0_CLK_M3/GPIO3_D3_d	BUS_IOC_GPIO3D_IOMUX_SEL_L[15:12]=0x9
I2C7_SCL_M3	I/O	CIF_HREF/BT1120_D8/I2S1_SDO1_M0/PCIE30X1_1_BUTTON_RSTN/I2C7_SCL_M3/UART8_RTSN_M0/PWM14_M1/SPI0_CS0_M1/CAN1_RX_M1/GPIO4_B2_u	BUS_IOC_GPIO4B_IOMUX_SEL_L[11:8]=0x9
I2C7_SDA_M3	I/O	CIF_VSYNC/BT1120_D9/I2S1_SDO2_M0/PCIE20X1_2_BUTTON_RSTN/I2C7_SDA_M3/UART8_CTSN_M0/PWM15_IR_M1/CAN1_TX_M1/GPIO4_B3_u	BUS_IOC_GPIO4B_IOMUX_SEL_L[15:12]=0x9
I2C8_SCL_M0	I/O	SDMMC_D2/PDM1_SDI1_M0/JTAG_TCK_M0/I2C8_SCL_M0/UART5_CTSN_M0/GPIO4_D2_u	BUS_IOC_GPIO4D_IOMUX_SEL_L[11:8]=0x9
I2C8_SDA_M0	I/O	SDMMC_D3/PDM1_SDI0_M0/JTAG_TMS_M0/I2C8_SDA_M0/UART5_RTSN_M0/PWM10_M1/GPIO4_D3_u	BUS_IOC_GPIO4D_IOMUX_SEL_L[15:12]=0x9
I2C8_SCL_M1	I/O	GMAC0_RXCLK/SDIO_D2_M0/FSPI_D2_M1/I2C8_SCL_M1/UART6_RTSN_M0/GPIO2_B0_u	BUS_IOC_GPIO2B_IOMUX_SEL_L[3:0]=0x9
I2C8_SDA_M1	I/O	GMAC0_TXD2/SDIO_D3_M0/FSPI_D3_M1/I2C8_SDA_M1/UART6_CTSN_M0/GPIO2_B1_u	BUS_IOC_GPIO2B_IOMUX_SEL_L[7:4]=0x9
I2C8_SCL_M2	I/O	MIPI_CAMERA3_CLK_M0/HDMI_RX_SCL_M2/I2C8_SCL_M2/UART1_RTSN_M1/PWM14_M2/GPIO1_D6_u	BUS_IOC_GPIO1D_IOMUX_SEL_H[11:8]=0x9
I2C8_SDA_M2	I/O	MIPI_CAMERA4_CLK_M0/PCIE30X2_CLKREQN_M3/HDMI_RX_SDA_M2/I2C8_SDA_M2/UART1_CTSN_M1/PWM15_IR_M3/GPIO1_D7_u	BUS_IOC_GPIO1D_IOMUX_SEL_H[15:12]=0x9
I2C8_SCL_M3	I/O	BT1120_D14/PCIE20X1_2_WAKEN_M1/HDMI_TX0_SDA_M0/I2C8_SCL_M3/SPI3_CS0_M1/GPIO4_C0_u	BUS_IOC_GPIO4C_IOMUX_SEL_L[3:0]=0x9
I2C8_SDA_M3	I/O	BT1120_D15/SPDIF1_TX_M2/PCIE20X1_2_PERSTN_M1/HDMI_TX0_CEC_M0/I2C8_SDA_M3/PWM6_M1/SPI3_CS1_M1/GPIO4_C1_d	BUS_IOC_GPIO4C_IOMUX_SEL_L[7:4]=0x9
I2C8_SCL_M4	I/O	GMAC1_MDC/MIPI_TE0/I2C8_SCL_M4/UART7_RTSN_M1/PWM14_M0/SPI1_CS0_M1/GPIO3_C2_d	BUS_IOC_GPIO3C_IOMUX_SEL_L[11:8]=0x9
I2C8_SDA_M4	I/O	GMAC1_MDIO/MIPI_TE1/I2C8_SDA_M4/UART7_CTSN_M1/PWM15_IR_M0/SPI1_CS1_M1/GPIO3_C3_d	BUS_IOC_GPIO3C_IOMUX_SEL_L[15:12]=0x9

## 21.6 Application Notes

The I2C controller core operation flow chart below is to describe how the software configures and performs an I2C transaction through this I2C controller core. Descriptions are divided into 3 sections, transmit only mode, receive only mode, and mix mode. Users are strongly advised to follow:

- Transmit only mode (I2C\_CON[1:0]=2'b00)

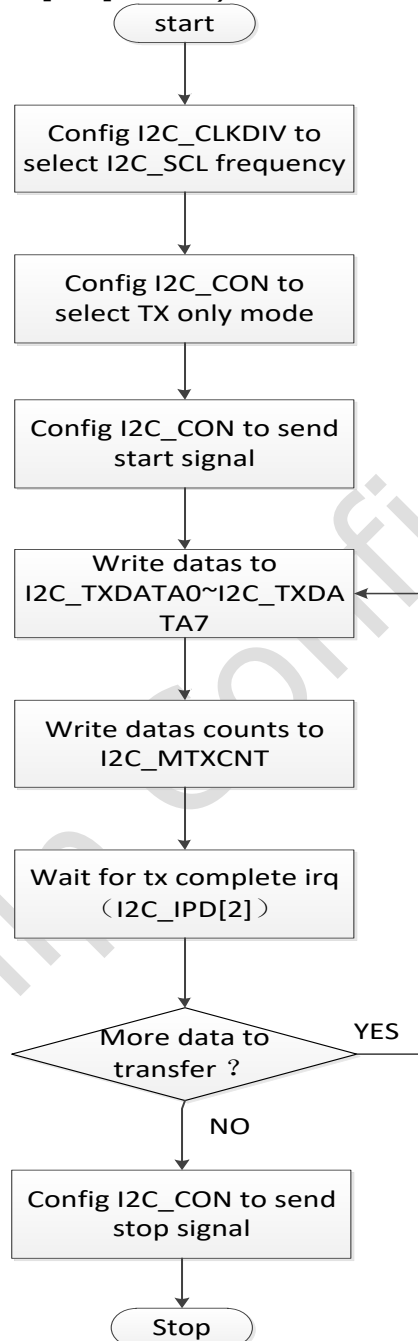


Fig. 21-6 I2C Flow chat for transmit only mode

- Receive only mode (I2C\_CON[1:0]=2'b10)

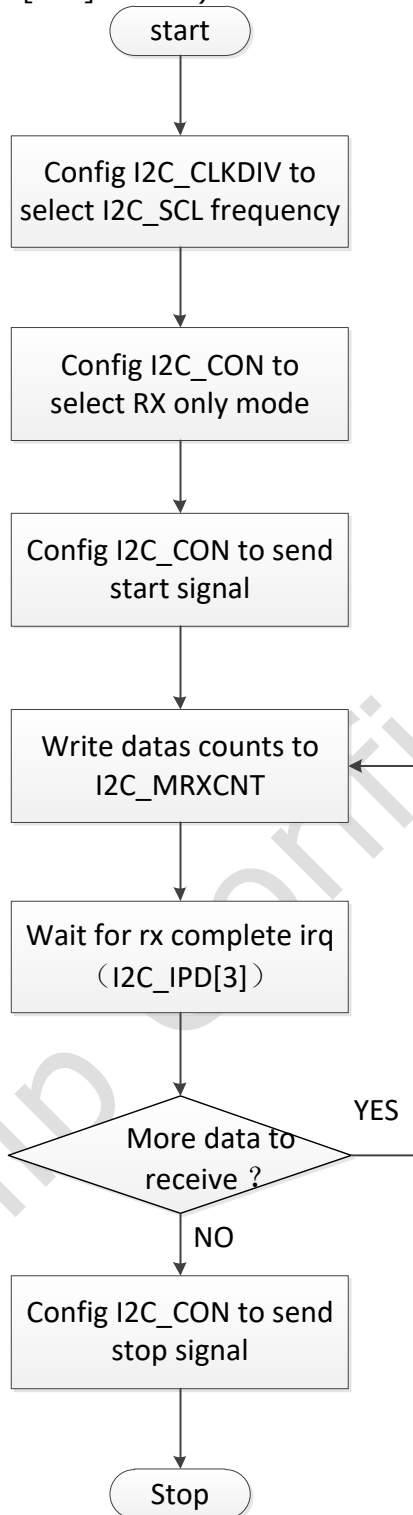


Fig. 21-7 I2C Flow chat for receive only mode

- Mix mode (I2C\_CON[1:0]=2'b01 or I2C\_CON[1:0]=2'b11)

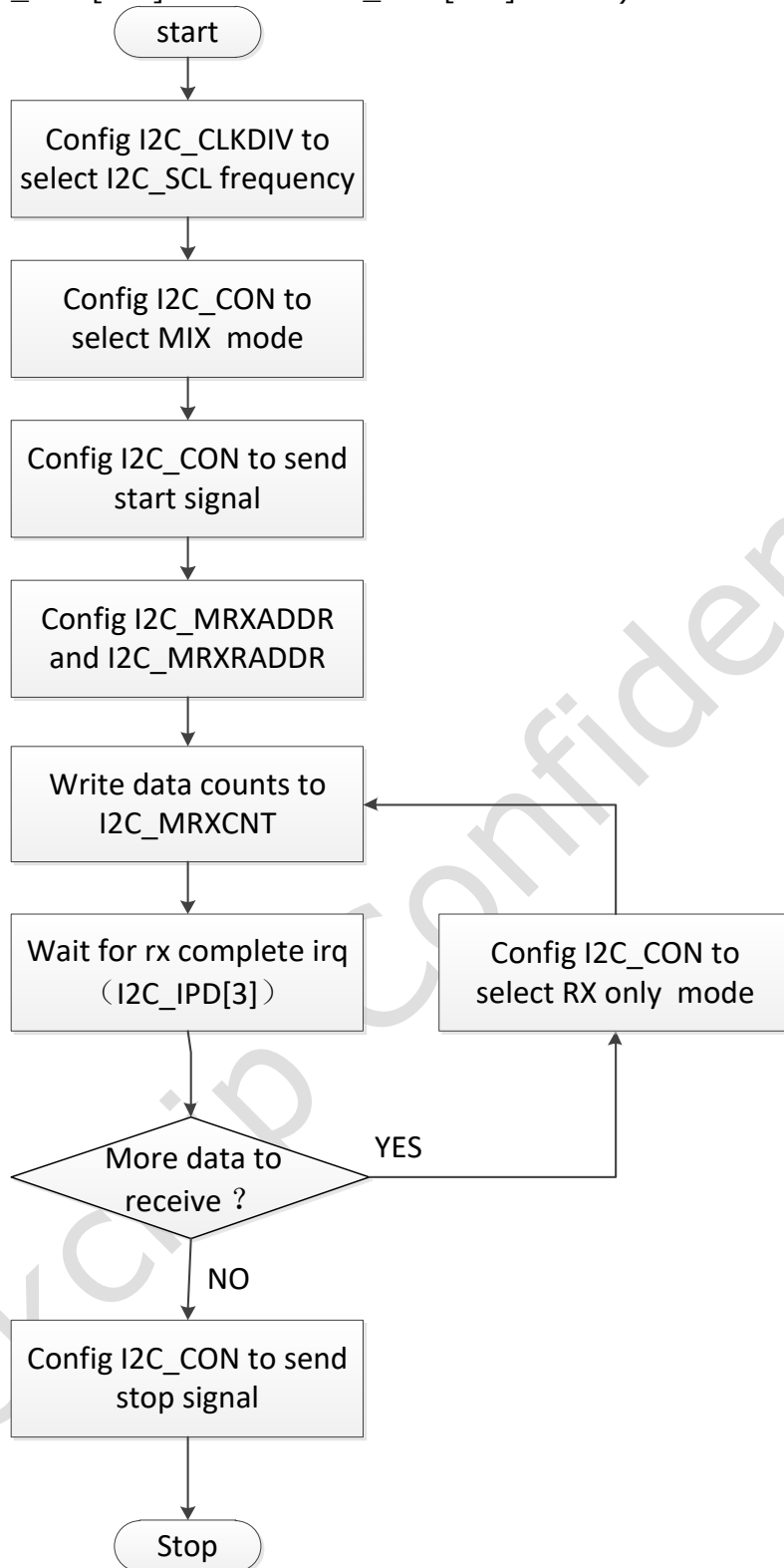


Fig. 21-8 I2C Flow chat for mix mode

## Chapter 22 I2S

### 22.1 Overview

The I2S/PCM/TDM controller is designed for interfacing between the AHB bus and the I2S bus.

The I2S bus (Inter-IC sound bus) is a serial link for digital audio data transfer between devices in the system and is invented by Philips Semiconductor. Now it is widely used by many semiconductor manufacturers.

I2S bus is widely used in the devices such as ADC, DAC, DSP, CPU, etc. With the I2S interface, we can connect audio devices and the embedded SoC platform together and provide an audio interface solution for the system.

#### 22.1.1 Features

There are nine I2S/PCM/TDM controllers and two I2S/PCM controllers embed in the system. I2S/PCM/TDM controllers support I2S format, PCM format and TDM format. While I2S/PCM controllers only support I2S format and PCM format. The nine I2S/PCM/TDM controllers are I2S0, I2S1, I2S4, I2S5, I2S6, I2S7, I2S8, I2S9 and I2S10. Remaining two I2S/PCM controllers are 2-channel I2S2 and I2S3.

Unless stated separately, all of the following features apply to I2S0~I2S10.

- Support eight internal 32-bit wide and 32-location deep FIFOs, four for transmitting and the others for receiving audio data for I2S0 and I2S1
- Support two internal 32-bit wide and 32-location deep FIFOs, one for transmitting and the other for receiving audio data for each I2S2 and I2S3
- Support four internal 32-bit wide and 32-location deep transmitting FIFOs for I2S4, I2S5, I2S6 and I2S8
- Support four internal 32-bit wide and 32-location deep receiving FIFOs for I2S7, I2S9 and I2S10
- Support AHB bus interface
- Support 16~32 bits audio data transfer
- Support master and slave mode for I2S0, I2S1, I2S2 and I2S3
- Support only master TX mode for I2S4, I2S5, I2S6 and I2S8
- Support only slave RX mode for I2S7, I2S9 and I2S10
- Support DMA handshaking interface and configurable DMA water level
- Support transmit FIFO empty, underflow, receive FIFO full, overflow interrupt and all interrupts can be masked
- Support configurable water level of transmit FIFO empty and receive FIFO full interrupt
- Support combined interrupt output
- Support 2-channel audio transmitting and receiving in PCM mode for I2S0, I2S1, I2S2 and I2S3
- Support 2-channel audio transmitting in PCM mode for I2S4, I2S5, I2S6 and I2S8
- Support 2-channel audio receiving in PCM mode for I2S7, I2S9 and I2S10
- Support 8-channel audio transmitting and receiving in I2S mode for I2S0 and I2S1
- Support 2-channel audio transmitting and receiving in I2S mode for I2S2 and I2S3
- Support 8-channel audio transmitting in I2S mode for I2S4, I2S5, I2S6 and I2S8
- Support 8-channel audio receiving in I2S mode for I2S7, I2S9 and I2S10
- Support up to 16-channel audio transmitting and receiving in TDM mode for I2S/PCM/TDM controllers
- Support up to 192kHz sample rate for I2S0, I2S1, I2S2, I2S3, I2S4 and I2S8
- Support up to 768kHz sample rate for I2S5, I2S6, I2S7, I2S9 and I2S10
- Support I2S normal, left and right justified mode serial audio data transfer
- Support PCM early, late1, late2, late3 mode serial audio data transfer
- Support TDM normal, 1/2 cycle left shift, 1 cycle left shift, 2 cycle left shift, right shift mode serial audio data transfer for I2S/PCM/TDM controllers
- Support MSB or LSB first serial audio data transfer
- Support 16 to 31 bit audio data left or right justified in 32-bit wide FIFO

- Support two 16-bit audio data store together in one 32-bit wide location
- Support configurable SCLK and LRCK polarity
- Support a range of 16 to 32 programmable slot bit width in TDM mode for I2S/PCM/TDM controllers
- Support a range of 32 to 512 programmable frame width in TDM mode for I2S/PCM/TDM controllers
- Support a range of 32 to 256 programmable frame width in I2S/PCM mode for I2S/PCM/TDM controllers and I2S/PCM controllers except I2S4 and I2S8
- Support a range of 32 to 512 programmable frame width in I2S/PCM mode for I2S4 and I2S8

## 22.2 Block Diagram

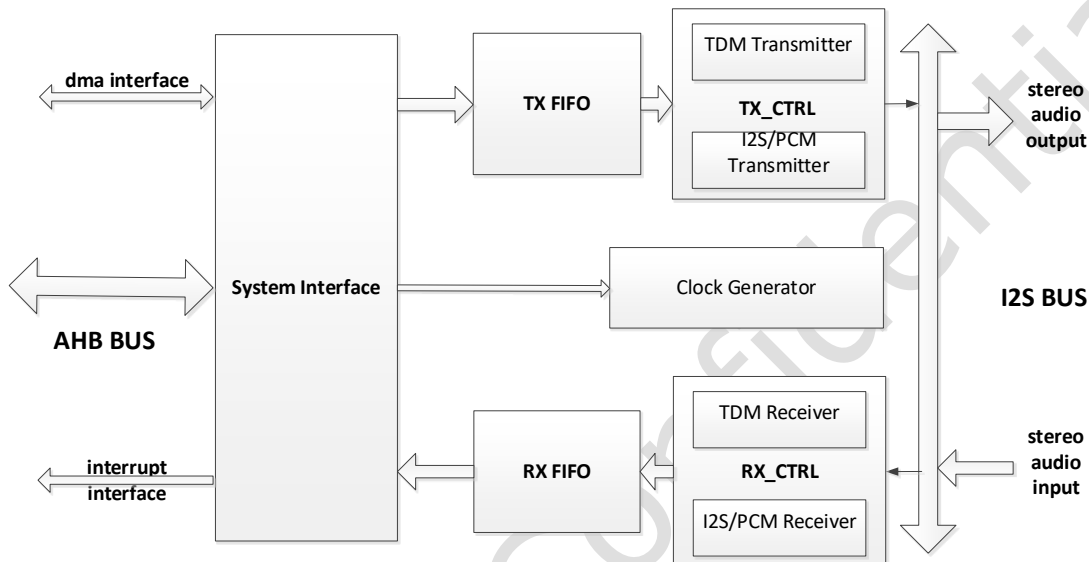


Fig. 22-1 I2S/PCM/TDM Controller (8-channel) Block Diagram

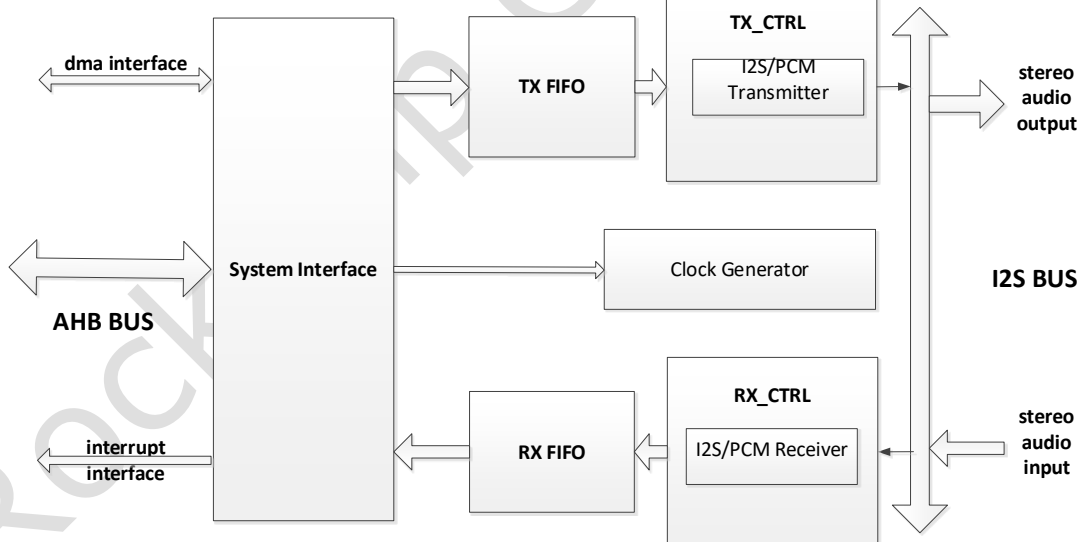


Fig. 22-2 I2S/PCM Controller (2-channel) Block Diagram

### System Interface

The system interface implements the AHB slave operation. It contains not only control registers of transmitters and receiver inside but also interrupt and DMA handshaking interface.

### Clock Generator

The Clock Generator implements clock generation function. By the divider of the module, the clock generator generates SCLK and LRCK to transmitter and receiver.

### TX\_CTRL

For I2S/PCM/TDM Controller, TX\_CTRL includes TDM transmitter and I2S/PCM transmitter. While for I2S/PCM Controller, TX\_CTRL only includes I2S/PCM transmitter. The Transmitters

implement transmission operation. The transmitters can act as either a master or a slave, with I2S, PCM or TDM mode surround serial audio interface.

**RX\_CTRL**

For I2S/PCM/TDM Controller, RX\_CTRL includes TDM receiver and I2S/PCM receiver. While for I2S/PCM Controller, RX\_CTRL only includes I2S/PCM receiver. The Receiver implements receive operation. The receiver can act as either a master or a slave, with I2S, PCM or TDM mode stereo serial audio interface.

**TX FIFO**

The transmit FIFO is the buffer to store transmitted audio data. The size of one FIFO is 32bits x 32.

**RX FIFO**

The receive FIFO is the buffer to store received audio data. The size of one FIFO is 32bits x 32.

**22.3 Function description**

In the I2S/PCM/TDM or I2S/PCM controller, there are four types: transmitter-master & receiver-master; transmitter-master & receiver-slave; transmitter-slave & receiver-master; transmitter-slave & receiver-slave.

In broadcasting application, the I2S/PCM/TDM or I2S/PCM controller is used as a transmitter and external or internal audio CODEC is used as a receiver. In recording application, the I2S/PCM/TDM or I2S/PCM controller is used as a receiver and external or internal audio CODEC is used as a transmitter. Either the I2S/PCM/TDM or I2S/PCM controller or the audio CODEC can act as a master or a slave, but if one is master, the other must be slave.

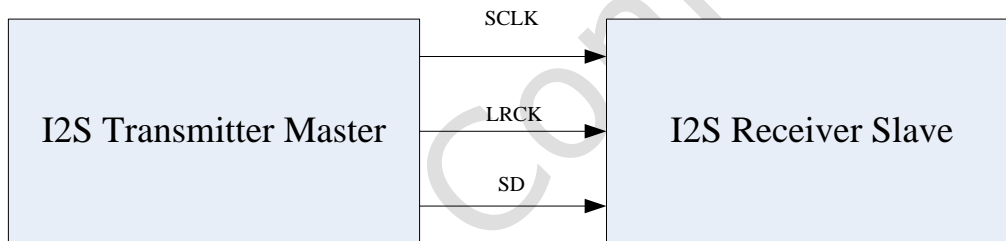


Fig. 22-3 I2S Transmitter-Master & Receiver-Slave Condition

When the transmitter acts as a master, it sends all signals to the receiver (the slave), and CPU controls when to send clock and data to the receiver. When acts as a slave, SD signal still goes from transmitter to receiver, but SCLK and LRCK signals are from the receiver (the master) to the transmitter. Based on three interface specifications, transmitting data should be ready before transmitter receives SCLK and LRCK signals. CPU should know when the receiver to initialize a transaction and when the transmitter to send data.

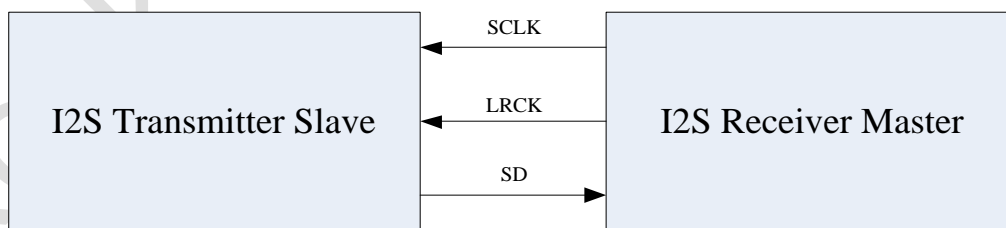


Fig. 22-4 I2S Transmitter-Slave & Receiver-Master Condition

When the receiver acts as a master, it sends SCLK and LRCK signals to the transmitter (the slave) and receives serial data. So CPU must tell the transmitter when to start a transaction for it to prepare transmitting data then start a transfer and send clock and channel-select signals. When the receiver acts as a slave, CPU should only do initial setting and wait for all signals and then start reading data.

Before transmitting or receiving data, CPU need do initial setting to the I2S register. These includes CPU settings, I2S interface registers settings, and maybe the embedded SoC platform settings. These registers must be set before starting data transfer.

### 22.3.1 I2S Normal Mode

This is the waveform of I2S normal mode. For LRCK (i2s\_lrck) signal, it goes low to indicate left channel and high to right channel. For SD (i2s\_sdo, i2s\_sdi) signal, it starts sending the first bit (MSB or LSB) one SCLK clock cycle after LRCK changes. The range of SD signal width is from 16 to 32bits.

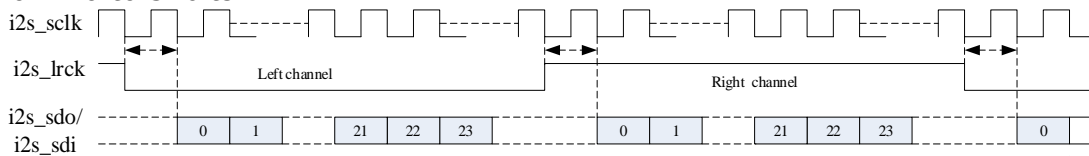


Fig. 22-5 I2S Normal Mode Timing Format

### 22.3.2 I2S Left Justified Mode

This is the waveform of I2S left justified mode. For LRCK (i2s\_lrck) signal, it goes high to indicate left channel and low to right channel. For SD (i2s\_sdo, i2s\_sdi) signal, it starts sending the first bit (MSB or LSB) at the same time when LRCK changes. The range of SD signal width is from 16 to 32bits.

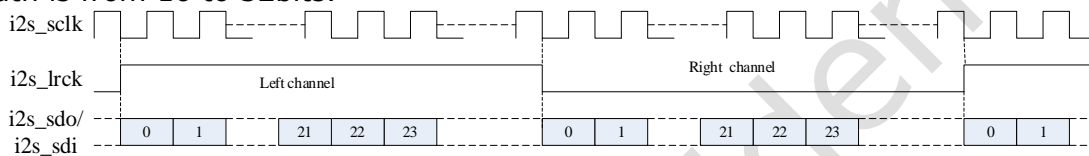


Fig. 22-6 I2S Left Justified Mode Timing Format

### 22.3.3 I2S Right Justified Mode

This is the waveform of I2S right justified mode. For LRCK (i2s\_lrck) signal, it goes high to indicate left channel and low to right channel. For SD (i2s\_sdo, i2s\_sdi) signal, it transfers MSB or LSB first; but what is different from I2S normal or left justified mode, the last bit of the transferred data is aligned to the transition edge of the LRCK signal while one bit is transferred at one SCLK cycle. The range of SD signal width is from 16 to 32bits.

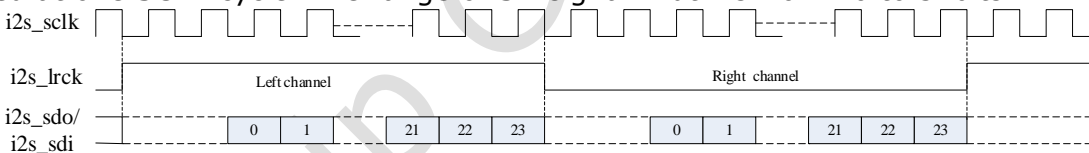


Fig. 22-7 I2S Right Justified Mode Timing Format

### 22.3.4 PCM Early Mode

This is the waveform of PCM early mode. For LRCK (i2s\_lrck) signal, it goes high to indicate the start of a group of audio channels. For SD (i2s\_sdo, i2s\_sdi) signal, it sends the first bit (MSB or LSB) at the same time when LRCK goes high. The range of SD signal width is from 16 to 32bits.

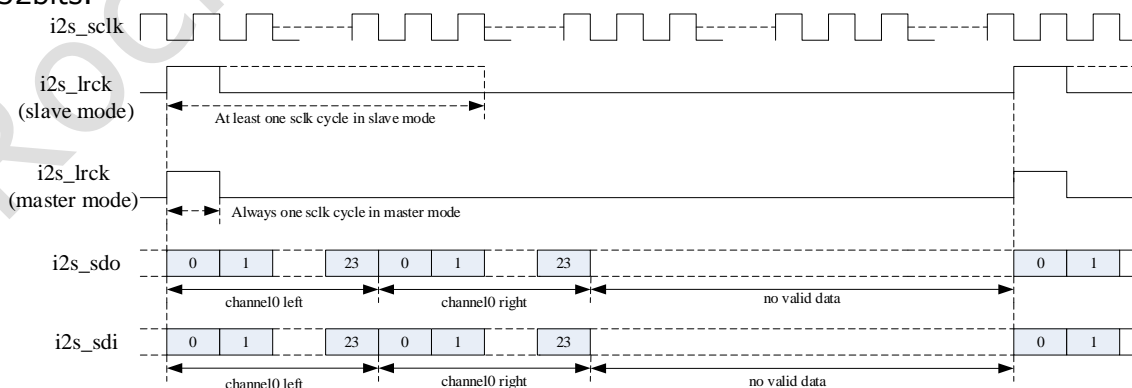


Fig. 22-8 PCM Early Mode Timing Format

### 22.3.5 PCM Late1 Mode

This is the waveform of PCM early mode. For LRCK (i2s\_lrck) signal, it goes high to indicate



the start of a group of audio channels. For SD (i2s\_sdo, i2s\_sdi) signal, it sends the first bit (MSB or LSB) one SCLK clock cycle after LRCK goes high. The range of SD signal width is from 16 to 32bits.

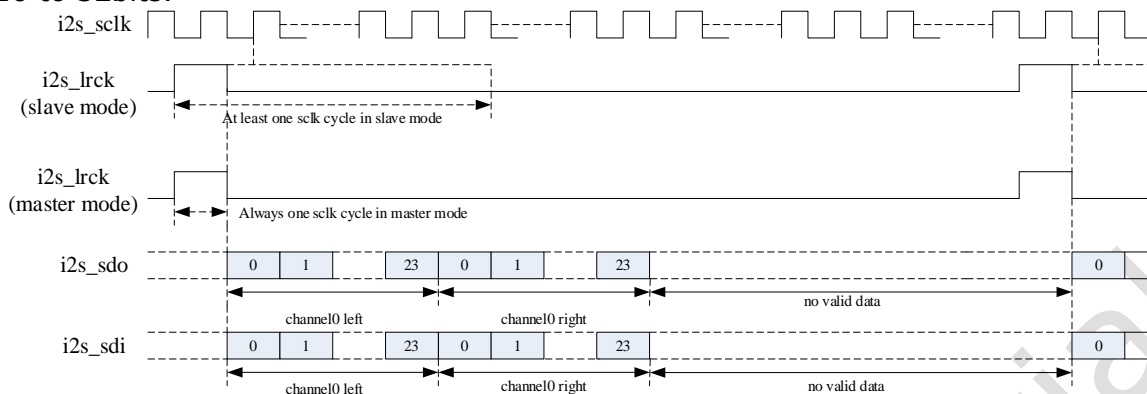


Fig. 22-9 PCM Late1 Mode Timing Format

### 22.3.6 PCM Late2 Mode

This is the waveform of PCM early mode. For LRCK (i2s\_lrck) signal, it goes high to indicate the start of a group of audio channels. For SD (i2s\_sdo, i2s\_sdi) signal, it sends the first bit (MSB or LSB) two SCLK clock cycles after LRCK goes high. The range of SD signal width is from 16 to 32bits.

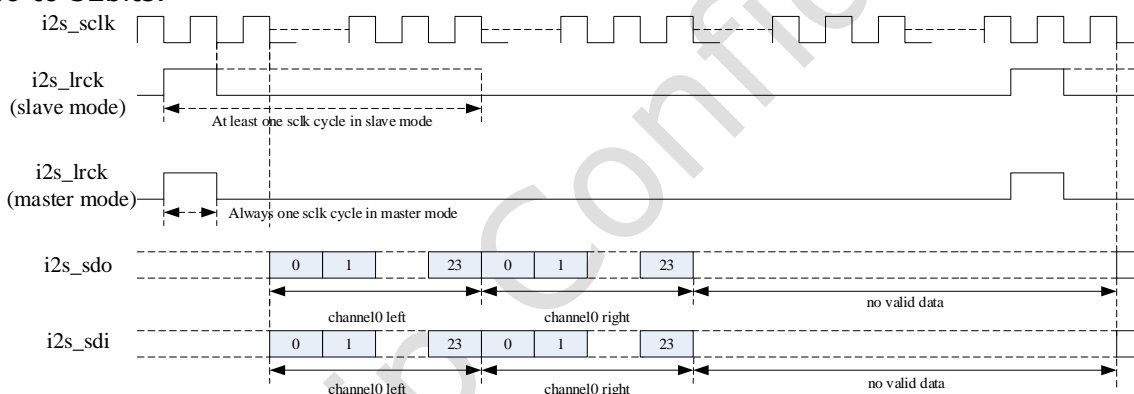


Fig. 22-10 PCM Late2 Mode Timing Format

### 22.3.7 PCM Late3 Mode

This is the waveform of PCM early mode. For LRCK (i2s\_lrck) signal, it goes high to indicate the start of a group of audio channels. For SD (i2s\_sdo, i2s\_sdi) signal, it sends the first bit (MSB or LSB) three SCLK clock cycles after LRCK goes high. The range of SD signal width is from 16 to 32bits.

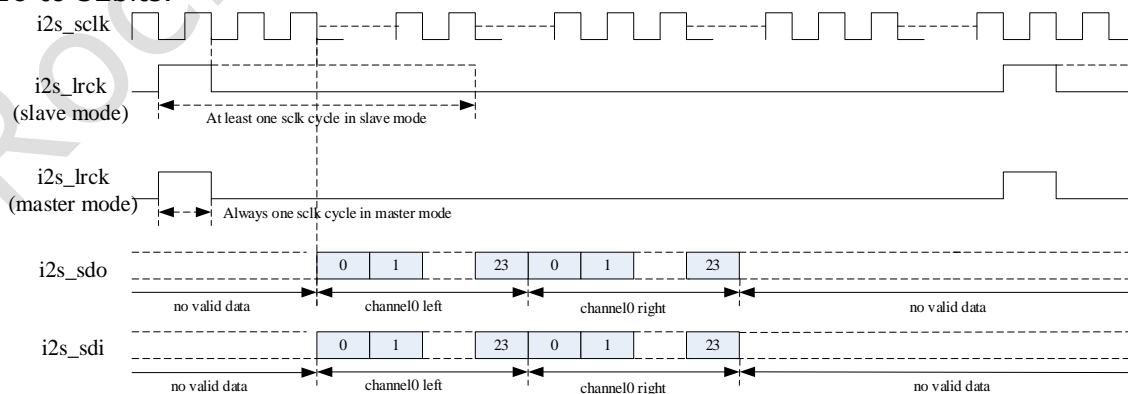


Fig. 22-11 PCM Late3 Mode Timing Format

### 22.3.8 TDM Normal Mode (PCM Format)

This is the waveform of TDM normal mode. For LRCK (i2s\_lrck) signal, it goes high to indicate the start of a group of audio channels. For SD (i2s\_sdo, i2s\_sdi) signal, it sends the first bit (MSB or LSB) on the second falling edge of SCLK after LRCK goes high. The range of SD signal width is from 16 to 32bits.

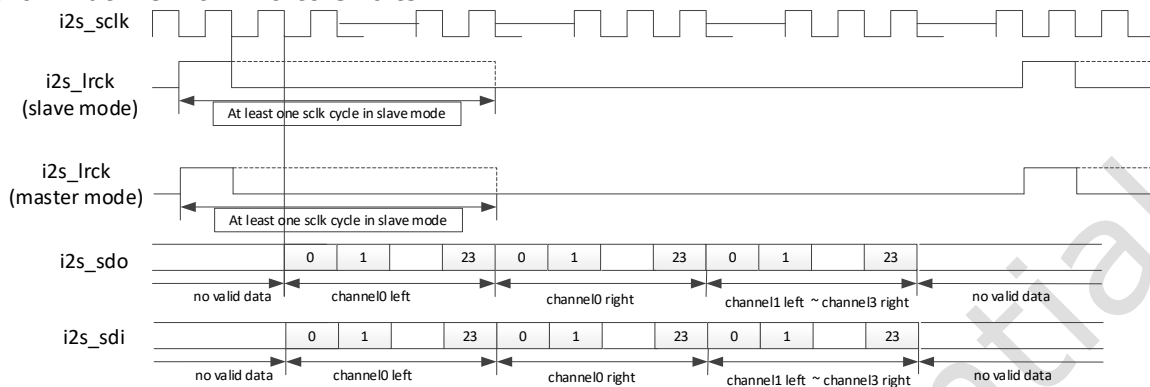


Fig. 22-12 TDM Normal Mode Timing Format (PCM Format)

### 22.3.9 TDM Left Shift Mode0 (PCM Format)

This is the waveform of PCM early mode. For LRCK (i2s\_lrck) signal, it goes high to indicate the start of a group of audio channels. For SD (i2s\_sdo, i2s\_sdi) signal, it sends the first bit (MSB or LSB) on the second rising edge of SCLK after LRCK goes high. The range of SD signal width is from 16 to 32bits.

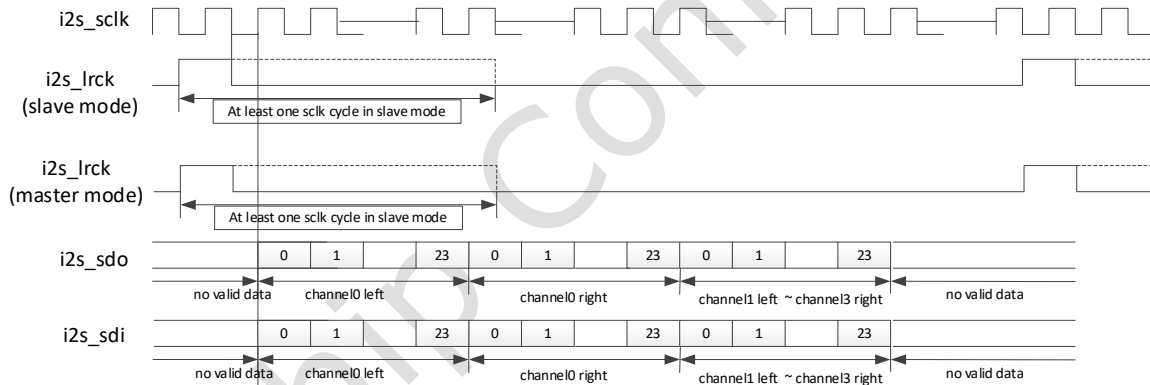


Fig. 22-13 TDM Left Shift Mode 0 Timing Format (PCM Format)

### 22.3.10 TDM Left Shift Mode1 (PCM Format)

This is the waveform of PCM early mode. For LRCK (i2s\_lrck) signal, it goes high to indicate the start of a group of audio channels. For SD (i2s\_sdo, i2s\_sdi) signal, it sends the first bit (MSB or LSB) on the first falling edge of SCLK after LRCK goes high. The range of SD signal width is from 16 to 32bits.

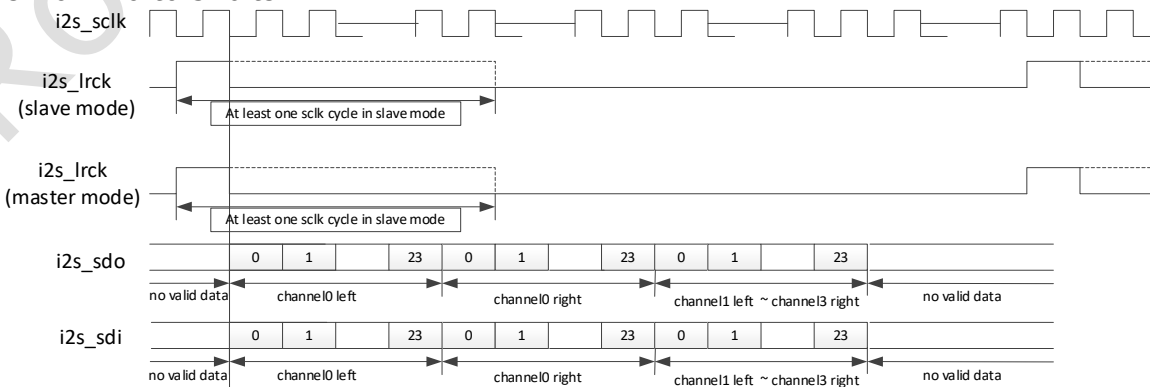


Fig. 22-14 TDM Left Shift Mode 1 Timing Format (PCM Format)

### 22.3.11 TDM Left Shift Mode2 (PCM Format)

This is the waveform of PCM early mode. For LRCK (i2s\_lrck) signal, it goes high to indicate the start of a group of audio channels. For SD (i2s\_sdo, i2s\_sdi) signal, it sends the first bit (MSB or LSB) on the first rising edge of SCLK after LRCK goes high. The range of SD signal width is from 16 to 32bits.

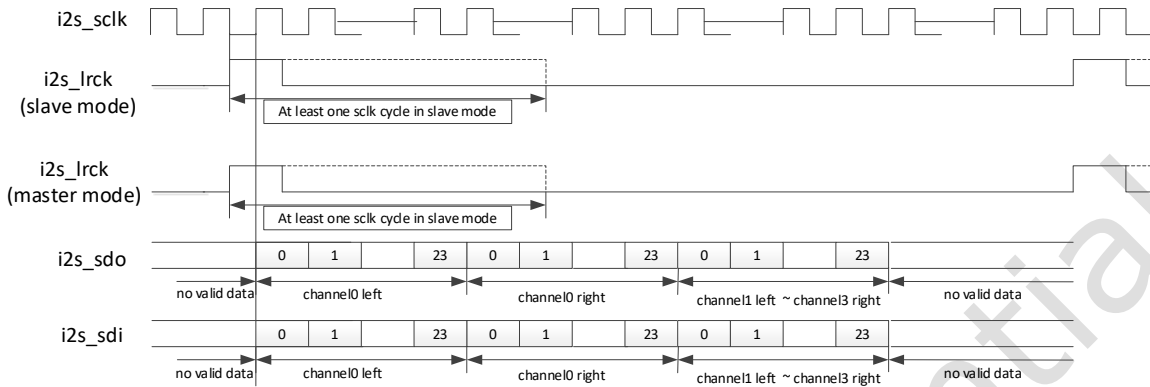


Fig. 22-15 TDM Left Shift Mode 2 Timing Format (PCM Format)

### 22.3.12 TDM Left Shift Mode3 (PCM Format)

This is the waveform of PCM early mode. For LRCK (i2s1\_lrck) signal, it goes high to indicate the start of a group of audio channels. For SD (i2s\_sdo, i2s\_sdi) signal, it sends the first bit (MSB or LSB) at the same time when LRCK goes high. The range of SD signal width is from 16 to 32bits.

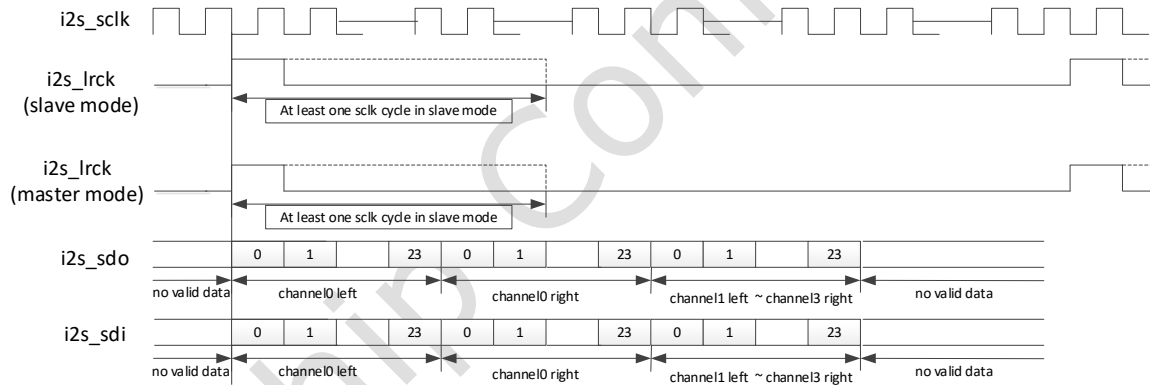
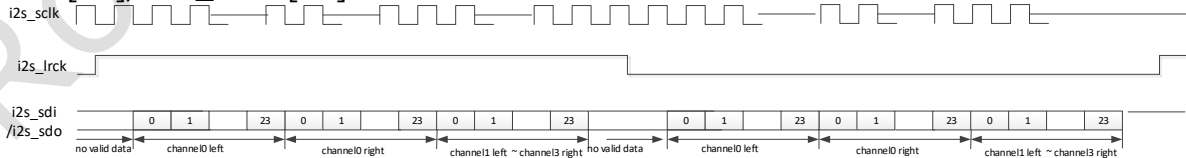


Fig. 22-16 TDM Left Shift Mode 3 Timing Format (PCM Format)

### 22.3.13 TDM Normal Mode (I2S Format)

This is the waveform of I2S normal mode. For SD (i2s\_sdo, i2s\_sdi) signal, it starts sending the first bit (MSB or LSB) on the first falling edge of SCLK after LRCK changes. The range of SD signal width is from 16 to 32bits.

tdm\_txctrl[17]/tdm\_rxctrl[17]=1:



tdm\_txctrl[17]/tdm\_rxctrl[17]=0:

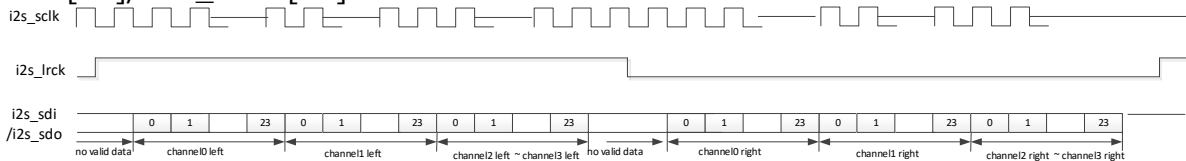


Fig. 22-17 TDM Normal Mode Timing Format (I2S Format)

### 22.3.14 TDM Left Justified Mode (I2S Format)

This is the waveform of I2S left justified mode. For SD (i2s\_sdo, i2s\_sdi) signal, it starts sending the first bit (MSB or LSB) at the same time when LRCK changes. The range of SD signal width is from 16 to 32bits.

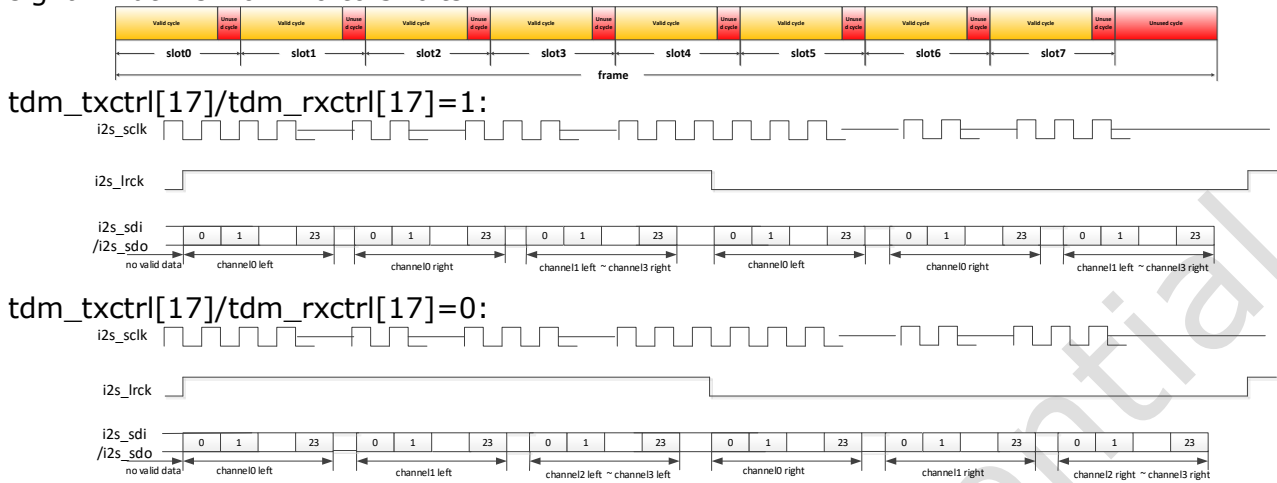


Fig. 22-18 TDM Left Justified Mode Timing Format (I2S Format)

### 22.3.15 TDM Right Justified Mode (I2S Format)

This is the waveform of I2S right justified mode. For SD (i2s\_sdo, i2s\_sdi) signal, it transfers MSB or LSB first; but what is different from I2S normal or left justified mode. The range of SD signal width is from 16 to 32bits.

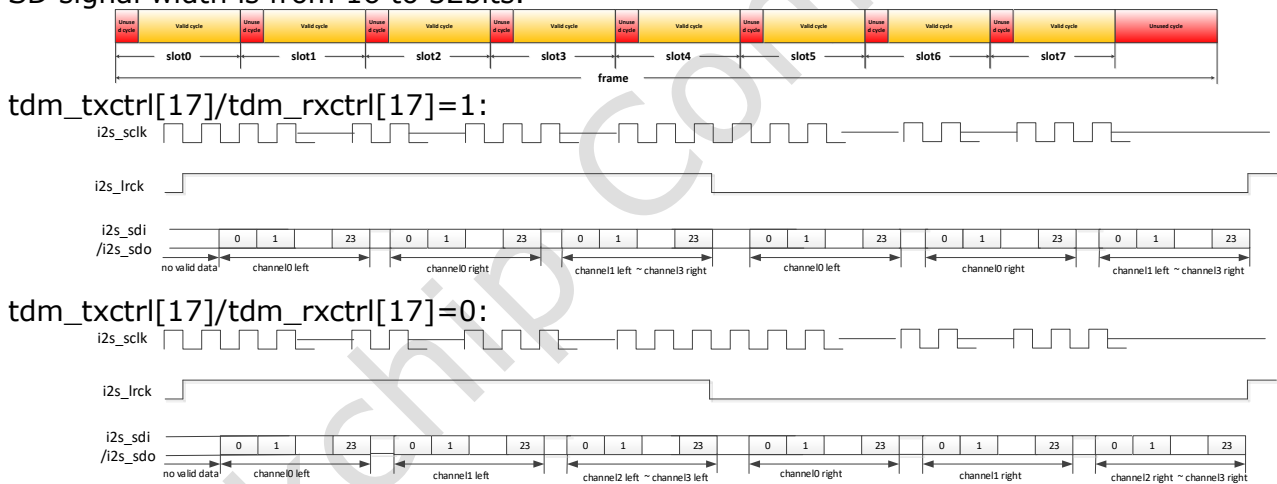


Fig. 22-19 TDM Right Justified Mode Timing Format (I2S Format)

## 22.4 Register description

### 22.4.1 Internal Address Mapping

Slave address can be divided into different length for different usage, which is shown as follows.

### 22.4.2 Registers Summary for I2S/PCM controllers

Following register summary can be applied to I2S0, I2S1, I2S5, I2S6, I2S7, I2S9 and I2S10.

Name	Offset	Size	Reset Value	Description
I2S_2CH_TXCR	0x0000	W	0x0000000F	Transmit Operation Control Register

Name	Offset	Size	Reset Value	Description
<u>I2S_2CH_RXCR</u>	0x0004	W	0x0000000F	Receive Operation Control Register
<u>I2S_2CH_CKR</u>	0x0008	W	0x00071F1F	Clock Generation Register
<u>I2S_2CH_TXFIFOLR</u>	0x000C	W	0x00000000	TX FIFO Level Register
<u>I2S_2CH_DMOCR</u>	0x0010	W	0x001F0000	DMA Control Register
<u>I2S_2CH_INTCR</u>	0x0014	W	0x01F00000	Interrupt Control Register
<u>I2S_2CH_INTSR</u>	0x0018	W	0x00000000	Interrupt Status Register
<u>I2S_2CH_XFER</u>	0x001C	W	0x00000000	Transfer Start Register
<u>I2S_2CH_CLR</u>	0x0020	W	0x00000000	SCLK Domain Logic Clear Register
<u>I2S_2CH_TXDR</u>	0x0024	W	0x00000000	Transmit FIFO Data Register
<u>I2S_2CH_RXDR</u>	0x0028	W	0x00000000	Receive FIFO Data Register
<u>I2S_2CH_RXFIFOLR</u>	0x002C	W	0x00000000	RX FIFO Level Register
<u>I2S_2CH_VERSION</u>	0x0030	W	0x20150001	Version Register

Notes: **Size:** **B**- Byte (8 bits) access, **HW**- Half WORD (16 bits) access, **W**-WORD (32 bits) access, **DW**- Double WORD (64 bits) access

### 22.4.3 Detail Registers Description

#### I2S\_2CH\_TXCR

Address: Operational Base + offset (0x0000)

Bit	Attr	Reset Value	Description
31:23	RO	0x000	reserved
22:17	RW	0x00	RCNT Right justified counter Can be written only when XFER[0] bit is 0. Only valid in I2S right justified format and slave TX mode is selected. Start to transmit data RCNT sclk cycles after left channel valid.
16:15	RW	0x0	CSR Channel select 2'b00: 2 channel 2'b01~2'b11: Reserved
14	RW	0x0	HWT Halfword word transform Can be written only when XFER[0] bit is 0. Only valid when VDW select 16bit data. 1'b0: 32 bit data valid from AHB/APB bus. Low 16 bit for left channel and high 16 bit for right channel. 1'b1: Low 16bit data valid from AHB/APB bus, high 16 bit data invalid.
13	RO	0x0	reserved
12	RW	0x0	SJM Store justified mode Can be written only when XFER[0] bit is 0. 16bit~31bit DATA stored in 32 bits width FIFO. If VDW select 16bit data, this bit is valid only when HWT select 0. Because if HWT is 1'b1, every FIFO unit contain two 16bit data and 32 bit space is full, it is impossible to choose justified mode. 1'b0: Right justified 1'b1: Left justified

Bit	Attr	Reset Value	Description
11	RW	0x0	FBM First bit mode Can be written only when XFER[0] bit is 0. 1'b0: MSB 1'b1: LSB
10:9	RW	0x0	IBM I2S bus mode Can be written only when XFER[0] bit is 0. 2'b00: I2S normal 2'b01: I2S left justified 2'b10: I2S right justified 2'b11: Reserved
8:7	RW	0x0	PBM PCM bus mode Can be written only when XFER[0] bit is 0. 2'b00: PCM no delay mode 2'b01: PCM delay 1 mode 2'b10: PCM delay 2 mode 2'b11: PCM delay 3 mode
6	RO	0x0	reserved
5	RW	0x0	TFS Transfer format select Can be written only when XFER[0] bit is 0. 1'b0: I2S format 1'b1: PCM format
4:0	RW	0x0f	VDW Valid data width Can be written only when XFER[0] bit is 0. 5'b00000~5'b01110: Reserved 5'b01111: 16bit 5'b10000: 17bit 5'b10001: 18bit 5'b10010: 19bit ..... 5'b11100: 29bit 5'b11101: 30bit 5'b11110: 31bit 5'b11111: 32bit

**I2S 2CH RXCR**

Address: Operational Base + offset (0x0004)

Bit	Attr	Reset Value	Description
31:15	RO	0x00000	reserved
14	RW	0x0	HWT Halfword word transform Can be written only when XFER[1] bit is 0. Only valid when VDW select 16bit data. 1'b0: 32 bit data valid to AHB/APB bus. Low 16 bit for left channel and high 16 bit for right channel. 1'b1: Low 16bit data valid to AHB/APB bus, high 16 bit data invalid.
13	RO	0x0	reserved

Bit	Attr	Reset Value	Description
12	RW	0x0	SJM Store justified mode Can be written only when XFER[1] bit is 0. 16bit~31bit DATA stored in 32 bits width FIFO. If VDW select 16bit data, this bit is valid only when HWT select 0. Because if HWT is 1'b1, every FIFO unit contain two 16bit data and 32 bit space is full, it is impossible to choose justified mode. 1'b0: Right justified 1'b1: Left justified
11	RW	0x0	FBM First bit mode Can be written only when XFER[1] bit is 0. 1'b0: MSB 1'b1: LSB
10:9	RW	0x0	IBM I2S bus mode Can be written only when XFER[1] bit is 0. 2'b00: I2S normal 2'b01: I2S left justified 2'b10: I2S right justified 2'b11: Reserved
8:7	RW	0x0	PBM PCM bus mode Can be written only when XFER[1] bit is 0. 2'b00: PCM no delay mode 2'b01: PCM delay 1 mode 2'b10: PCM delay 2 mode 2'b11: PCM delay 3 mode
6	RO	0x0	reserved
5	RW	0x0	TFS Transfer format select Can be written only when XFER[1] bit is 0. 1'b0: I2S format 1'b1: PCM format
4:0	RW	0x0f	VDW Valid data width Can be written only when XFER[1] bit is 0. 5'b00000~5'b01110: Reserved 5'b01111: 16bit 5'b10000: 17bit 5'b10001: 18bit 5'b10010: 19bit ..... 5'b11100: 29bit 5'b11101: 30bit 5'b11110: 31bit 5'b11111: 32bit

**I2S 2CH CKR**

Address: Operational Base + offset (0x0008)

Bit	Attr	Reset Value	Description
31:30	RO	0x0	reserved

Bit	Attr	Reset Value	Description
29:28	RW	0x0	<p>TRCM LRCK Control 2'b00: Generates LRCK for TX only. 2'b01: Generates LRCK for TX/RX or RX. 2'b10/2'b11: Reseverd If only TX works, please set TRCM to 2'b00. If TX and RX work at the same time or only RX works, please set TRCM to 2'b01. Note: When set to 2'b01, if user wants to use both transmitting and receiving in master mode, user should configure as following. a. The value of TSD and RSD should be same. b. User should start TX transfer and RX transfer at the same time.</p>
27	RW	0x0	<p>MSS Master/slave mode select Can be written only when XFER[1] or XFER[0] bit is 0. 1'b0: Master mode (sclk output) 1'b1: Slave mode (sclk input)</p>
26	RW	0x0	<p>CKP Sclk polarity Can be written only when XFER[1] or XFER[0] bit is 0. 1'b0: Sample data at posedge sclk and drive data at negedge sclk. 1'b1: Sample data at negedge sclk and drive data at posedge sclk.</p>
25	RO	0x0	reserved
24	RW	0x0	<p>LRCKP Lrck polarity Can be written only when XFER[1] or XFER[0] bit is 0. 1'b0: Normal polarity (I2S normal: Low for left channel, high for right channel I2S left/right just: High for left channel, low for right channel PCM start signal: High valid) 1'b1: Opposite polarity (I2S normal: High for left channel, low for right channel I2S left/right just: Low for left channel, high for right channel PCM start signal: Low valid)</p>
23:16	RW	0x07	<p>MDIV Mclk divider Can be written only when XFER[1] or XFER[0] bit is 0. mclk divider = (mclk/sclk)-1. For example, if mclk divider is 5, then the frequency of sclk is mclk/6</p>
15:8	RW	0x1f	<p>RSD Receive Sclk Divider Can be written only when XFER[1] or XFER[0] bit is 0. 8'h00~8'h1e: Reserved 8'h1f~8'hff: Frequency of sclk = ((RSD&gt;&gt;1)+1)*2*frequency of lrck for I2S format. Frequency of sclk = (RSD+1)*frequency of lrck for PCM format.</p>



Bit	Attr	Reset Value	Description
7:0	RW	0x1f	TSD Transmit sclk divider Can be written only when XFER[1] or XFER[0] bit is 0. 8'h00~8'h1e: Reserved 8'h1f~8'hff: Frequency of sclk = ((TSD>>1)+1)*2*frequency of lrck for I2S format. Frequency of sclk = (TSD+1)*frequency of lrck for PCM format.

**I2S 2CH TXFIFOLR**

Address: Operational Base + offset (0x000C)

Bit	Attr	Reset Value	Description
31:6	RO	0x0000000	reserved
5:0	RO	0x00	TFL Transmit FIFO level Contains the number of valid data entries in the transmit FIFO.

**I2S 2CH DMACR**

Address: Operational Base + offset (0x0010)

Bit	Attr	Reset Value	Description
31:25	RO	0x00	reserved
24	RW	0x0	RDE Receive DMA enable 1'b0: Receive DMA disabled 1'b1: Receive DMA enabled
23:21	RO	0x0	reserved
20:16	RW	0x1f	RDL Receive data level This bit field controls the level at which a DMA request is made by the receive logic. The watermark level = DMARDL+1. That is, dma_rx_req is generated when the number of valid data entries in the receive FIFO is equal to or above this field value + 1.
15:9	RO	0x00	reserved
8	RW	0x0	TDE Transmit DMA enable 1'b0: Transmit DMA disabled 1'b1: Transmit DMA enabled
7:5	RO	0x0	reserved
4:0	RW	0x00	TDL Transmit data level This bit field controls the level at which a DMA request is made by the transmit logic. It is equal to the watermark level; that is, the dma_tx_req signal is generated when the number of valid data entries in the TXFIFO is equal to or below this field value.

**I2S 2CH INTCR**

Address: Operational Base + offset (0x0014)

Bit	Attr	Reset Value	Description
31:25	RO	0x00	reserved
24:20	RW	0x1f	RFT Receive FIFO threshold When the number of receive FIFO entries is more than or equal to this threshold plus 1, the receive FIFO full interrupt is triggered.
19	RO	0x0	reserved

Bit	Attr	Reset Value	Description
18	WO	0x0	RXOIC RX overrun interrupt clear Write 1'b1 to clear RX overrun interrupt.
17	RW	0x0	RXOIE RX overrun interrupt enable 1'b0: Disable 1'b1: Enable
16	RW	0x0	RXFIE RX full interrupt enable 1'b0: Disable 1'b1: Enable
15:9	RO	0x00	reserved
8:4	RW	0x00	TFT Transmit FIFO threshold When the number of transmit FIFO entries is less than or equal to this threshold, the transmit FIFO empty interrupt is triggered.
3	RO	0x0	reserved
2	WO	0x0	TXUIC TX underrun interrupt clear Write 1'b1 to clear TX underrun interrupt.
1	RW	0x0	TXUIE TX underrun interrupt enable 1'b0: Disable 1'b1: Enable
0	RW	0x0	TXEIE TX empty interrupt enable 1'b0: Disable 1'b1: Enable

**I2S 2CH INTSR**

Address: Operational Base + offset (0x0018)

Bit	Attr	Reset Value	Description
31:18	RO	0x0000	reserved
17	RO	0x0	RXOI RX overrun interrupt 1'b0: Inactive 1'b1: Active
16	RO	0x0	RXFI RX full interrupt 1'b0: Inactive 1'b1: Active
15:2	RO	0x0000	reserved
1	RO	0x0	TXUI TX underrun interrupt 1'b0: Inactive 1'b1: Active
0	RO	0x0	TXEI TX empty interrupt 1'b0: Inactive 1'b1: Active

**I2S 2CH XFER**

Address: Operational Base + offset (0x001C)

Bit	Attr	Reset Value	Description
31:2	RO	0x00000000	reserved

Bit	Attr	Reset Value	Description
1	RW	0x0	RXS RX transfer start bit 1'b0: Stop RX transfer 1'b1: Start RX transfer
0	RW	0x0	TXS TX transfer start bit 1'b0: Stop TX transfer. 1'b1: Start TX transfer.

**I2S\_2CH\_CLR**

Address: Operational Base + offset (0x0020)

Bit	Attr	Reset Value	Description
31:2	RO	0x00000000	reserved
1	RW	0x0	RXC RX logic clear This is a self-cleared bit. Write 1'b1 to clear all receive logic.
0	RW	0x0	TXC TX logic clear This is a self-cleared bit. Write 1'b1 to clear all transmit logic.

**I2S\_2CH\_TXDR**

Address: Operational Base + offset (0x0024)

Bit	Attr	Reset Value	Description
31:0	WO	0x00000000	TDR Transmit FIFO data register When it is written to, data are moved into the transmit FIFO.

**I2S\_2CH\_RXDR**

Address: Operational Base + offset (0x0028)

Bit	Attr	Reset Value	Description
31:0	RO	0x00000000	RDR Receive FIFO data register When the register is read, data in the receive FIFO is accessed.

**I2S\_2CH\_RXFIFOLR**

Address: Operational Base + offset (0x002C)

Bit	Attr	Reset Value	Description
31:6	RO	0x00000000	reserved
5:0	RO	0x00	RFL Receive FIFO level Contains the number of valid data entries in the receive FIFO.

**I2S\_2CH\_VERSION**

Address: Operational Base + offset (0x0030)

Bit	Attr	Reset Value	Description
31:0	RO	0x20150001	VER Version of I2S_2CH

**22.4.4 Registers Summary for I2S/PCM/TDM controllers Part 1**

Following register summary can be applied to I2S0, I2S1, I2S5, I2S6, I2S7, I2S9 and I2S10. Note that for I2S5 and I2S6, only TX is used, RX related registers should be ignored. For I2S7, I2S9 and I2S10, only RX is used, TX related registers should be ignored.

Name	Offset	Size	Reset Value	Description
<u>I2S TDM 8CH TXCR</u>	0x0000	W	0x7200000F	Transmit Operation Control Register
<u>I2S TDM 8CH RXCR</u>	0x0004	W	0x01C8000F	Receive Operation Control Register
<u>I2S TDM 8CH CKR</u>	0x0008	W	0x00071F1F	Clock Generation Register
<u>I2S TDM 8CH TXFIFOLR</u>	0x000C	W	0x00000000	TX FIFO Level Register
<u>I2S TDM 8CH DMACR</u>	0x0010	W	0x001F0000	DMA Control Register
<u>I2S TDM 8CH INTCR</u>	0x0014	W	0x01F00000	Interrupt Control Register
<u>I2S TDM 8CH INTSR</u>	0x0018	W	0x00000000	Interrupt Status Register
<u>I2S TDM 8CH XFER</u>	0x001C	W	0x00000000	Transfer Start Register
<u>I2S TDM 8CH CLR</u>	0x0020	W	0x00000000	Sclk Domain Logic Clear Register
<u>I2S TDM 8CH TXDR</u>	0x0024	W	0x00000000	Transmit FIFO Data Register
<u>I2S TDM 8CH RXDR</u>	0x0028	W	0x00000000	Receive FIFO Data Register
<u>I2S TDM 8CH RXFIFOLR</u>	0x002C	W	0x00000000	RX FIFO Level Register
<u>I2S TDM 8CH TDM TXCTRL</u>	0x0030	W	0x00003EFF	TDM Mode Transmit Operation Control Register
<u>I2S TDM 8CH TDM RXCTRL</u>	0x0034	W	0x00003EFF	TDM Mode Receive Operation Control Register
<u>I2S TDM 8CH CLKDIV</u>	0x0038	W	0x00000707	Clock Divider Register
<u>I2S TDM 8CH VERSION</u>	0x003C	W	0x20150001	Version Register

Notes: **Size:** **B**- Byte (8 bits) access, **HW**- Half WORD (16 bits) access, **W**-WORD (32 bits) access, **DW**- Double WORD (64 bits) access

### 22.4.5 Detail Registers Description

#### I2S TDM 8CH TXCR

Address: Operational Base + offset (0x0000)

Bit	Attr	Reset Value	Description
31	RO	0x0	reserved
30:29	RW	0x3	TX_PATH_SEL3 TX path select 3 2'b00: Sdo3 output data from path0 2'b01: Sdo3 output data from path1 2'b10: Sdo3 output data from path2 2'b11: Sdo3 output data from path3 Note: When TDM mode, only path0 enable.
28:27	RW	0x2	TX_PATH_SEL2 TX path select 2 2'b00: Sdo2 output data from path0 2'b01: Sdo2 output data from path1 2'b10: Sdo2 output data from path2 2'b11: Sdo2 output data from path3 Note: When TDM mode, only path0 enable.

Bit	Attr	Reset Value	Description
26:25	RW	0x1	<p>TX_PATH_SEL1 TX path select 1 2'b00: Sdo1 output data from path0 2'b01: Sdo1 output data from path1 2'b10: Sdo1 output data from path2 2'b11: Sdo1 output data from path3 Note: When TDM mode, only path0 enable.</p>
24:23	RW	0x0	<p>TX_PATH_SEL0 TX path select 0 2'b00: Sdo0 output data from path0 2'b01: Sdo0 output data from path1 2'b10: Sdo0 output data from path2 2'b11: Sdo0 output data from path3 Note: When TDM mode, only path0 enable.</p>
22:17	RW	0x00	<p>RCNT Can be written only when XFER[0] bit is 0. Only valid in I2S right justified format and slave TX mode is selected. Start to transmit data RCNT sclk cycles after left channel valid. Note: Only function when TX TFS[1]=0.</p>
16:15	RW	0x0	<p>TCSR Transmit channel select 2'b00: Two channel 2'b01: Four channel 2'b10: Six channel 2'b11: Eight channel</p>
14	RW	0x0	<p>HWT Halfword word transform Can be written only when XFER[0] bit is 0. Only valid when VDW select 16bit data. 1'b0: 32 bit data valid from AHB/APB bus. Low 16 bit for left channel and high 16 bit for right channel. 1'b1: Low 16bit data valid from AHB/APB bus, high 16 bit data invalid.</p>
13	RO	0x0	reserved
12	RW	0x0	<p>SJM Store justified mode Can be written only when XFER[0] bit is 0. 16bit~31bit DATA stored in 32 bits width FIFO. If VDW select 16bit data, this bit is valid only when HWT select 1'b0. Because if HWT is 1'b1, every FIFO unit contains two 16bit data and 32 bit space is full, it is impossible to choose justified mode. 1'b0: Right justified 1'b1: Left justified</p>

Bit	Attr	Reset Value	Description
11	RW	0x0	FBM First bit mode Can be written only when XFER[0] bit is 0. 1'b0: MSB 1'b1: LSB
10:9	RW	0x0	IBM I2S bus mode Can be written only when XFER[0] bit is 0. 2'b00: I2S normal 2'b01: I2S left justified 2'b10: I2S right justified 2'b11: Reserved
8:7	RW	0x0	PBM Can be written only when XFER[0] bit is 0. 2'b00: PCM no delay mode 2'b01: PCM delay 1 mode 2'b10: PCM delay 2 mode 2'b11: PCM delay 3 mode Note: Function when TX TFS[1:0] is 2'b01.
6:5	RW	0x0	TFS Can be written only when XFER[0] bit is 0. 2'b00: I2S format 2'b01: PCM format 2'b10: TDM format 0 (PCM mode) 2'b11: TDM format 1 (I2S mode)
4:0	RW	0x0f	VDW Valid data width Can be written only when XFER[0] bit is 0. 5'b00000~5'b01110: Reserved 5'b01111: 16bit 5'b10000: 17bit 5'b10001: 18bit 5'b10010: 19bit ..... 5'b11100: 29bit 5'b11101: 30bit 5'b11110: 31bit 5'b11111: 32bit

**I2S TDM 8CH RXCR**

Address: Operational Base + offset (0x0004)

Bit	Attr	Reset Value	Description
31:25	RO	0x00	reserved

Bit	Attr	Reset Value	Description
24:23	RW	0x3	<p>RX_PATH_SEL3 RX path select 3 2'b00: Path3 data from sdi0 2'b01: Path3 data from sdi1 2'b10: Path3 data from sdi2 2'b11: Path3 data from sdi3 Note: Inoperative at TDM mode.</p>
22:21	RW	0x2	<p>RX_PATH_SEL2 RX path select 2 2'b00: Path2 data from sdi0 2'b01: Path2 data from sdi1 2'b10: Path2 data from sdi2 2'b11: Path2 data from sdi3 Note: Inoperative at TDM mode.</p>
20:19	RW	0x1	<p>RX_PATH_SEL1 RX path select 1 2'b00: Path1 data from sdi0 2'b01: Path1 data from sdi1 2'b10: Path1 data from sdi2 2'b11: Path1 data from sdi3 Note: Inoperative at TDM mode.</p>
18:17	RW	0x0	<p>RX_PATH_SEL0 RX path select 0 2'b00: Path0 data from sdi0 2'b01: Path0 data from sdi1 2'b10: Path0 data from sdi2 2'b11: Path0 data from sdi3</p>
16:15	RW	0x0	<p>RCSR Receive channel select 2'b00: Two channel 2'b01: Four channel 2'b10: Six channel 2'b11: Eight channel</p>
14	RW	0x0	<p>HWT Halfword word transform Can be written only when XFER[1] bit is 0. Only valid when VDW select 16bit data. 1'b0: 32 bit data valid to AHB/APB bus. Low 16 bit for left channel and high 16 bit for right channel. 1'b1: Low 16bit data valid to AHB/APB bus, high 16 bit data invalid.</p>
13	RO	0x0	reserved

Bit	Attr	Reset Value	Description
12	RW	0x0	<p>SJM Store justified mode Can be written only when XFER[1] bit is 0. 16bit~31bit DATA stored in 32 bits width FIFO. If VDW select 16bit data, this bit is valid only when HWT select 1'b0. Because if HWT is 1'b1, every FIFO unit contains two 16bit data and 32 bit space is full, it is impossible to choose justified mode. 1'b0: Right justified 1'b1: Left justified</p>
11	RW	0x0	<p>FBM First bit mode Can be written only when XFER[1] bit is 0. 1'b0: MSB 1'b1: LSB</p>
10:9	RW	0x0	<p>IBM I2S bus mode Can be written only when XFER[1] bit is 0. 2'b00: I2S normal 2'b01: I2S left justified 2'b10: I2S right justified 2'b11: Reserved</p>
8:7	RW	0x0	<p>PBM PCM bus mode Can be written only when XFER[1] bit is 0. 2'b00: PCM no delay mode 2'b01: PCM delay 1 mode 2'b10: PCM delay 2 mode 2'b11: PCM delay 3 mode</p>
6:5	RW	0x0	<p>TFS Transfer format select Can be written only when XFER[1] bit is 0. 2'b00: I2S format 2'b01: PCM format 2'b10: TDM format 0 (PCM mode) 2'b11: TDM format 1 (I2S mode)</p>



Bit	Attr	Reset Value	Description
4:0	RW	0x0f	<p>VDW Valid data width Can be written only when XFER[1] bit is 0. 5'b00000~5'b01110: Reserved 5'b01111: 16bit 5'b10000: 17bit 5'b10001: 18bit 5'b10010: 19bit ..... 5'b11100: 29bit 5'b11101: 30bit 5'b11110: 31bit 5'b11111: 32bit</p>

**I2S TDM 8CH CKR**

Address: Operational Base + offset (0x0008)

Bit	Attr	Reset Value	Description
31:30	RO	0x0	reserved
29:28	RW	0x0	<p>LRCK_CTRL LRCK Control 2'b01: Generates LRCK for TX or RX. Others: Reseverd Please set it to 2'b01 in all situations. Note: When set to 2'b01, if user wants to use both transmitting and receiving in master mode, user should configure as following. a. The value of TSD and RSD should be same. b. User should start TX transfer and RX transfer at the same time.</p>
27	RW	0x0	<p>MSS Master/slave mode select Can be written only when XFER[1] or XFER[0] bit is 0. 1'b0: Master mode (sclk output) 1'b1: Slave mode (sclk input)</p>
26	RW	0x0	<p>CKP Sclk polarity Can be written only when XFER[1] or XFER[0] bit is 0. 1'b0: Sample data at posedge sclk and drive data at negedge sclk. 1'b1: Sample data at negedge sclk and drive data at posedge sclk.</p>
25	RO	0x0	reserved

Bit	Attr	Reset Value	Description
24	RW	0x0	<p>LRCKP Lrck polarity Can be written only when XFER[1] or XFER[0] bit is 0. 1'b0: Normal polarity (I2S normal: Low for left channel, high for right channel I2S left/right just: High for left channel, low for right channel PCM start signal: High valid) 1'b1: Opposite polarity (I2S normal: High for left channel, low for right channel I2S left/right just: Low for left channel, high for right channel PCM start signal: Low valid)</p>
23:16	RO	0x07	reserved
15:8	RW	0x1f	<p>RSD Receive Sclk Divider Can be written only when XFER[1] or XFER[0] bit is 0. 8'h00~8'h1e: Reserved 8'h1f~8'hff: Frequency of sclk = <math>((RSD \gg 1) + 1) * 2 * \text{frequency of lrc}</math> when RX TFS[1:0] is 2'b00. Frequency of sclk = <math>(RSD + 1) * \text{frequency of lrc}</math> when RX TFS[1:0] is 2'b01. Frequency of sclk = <math>(TDM\_RX\_FRAME\_WIDTH + 1) * \text{frequency of lrc}</math> when RX TFS[1:0] is 2'b10. Frequency of sclk = <math>(TDM\_RX\_FRAME\_WIDTH + 1) * 2 * \text{frequency of lrc}</math> when RX TFS[1:0] is 2'b11 and RX_TDM_FSYNC_WIDTH_SEL0 is 1'b1. Frequency of sclk = <math>((TDM\_RX\_FRAME\_WIDTH \gg 1) + 1) * 2 * \text{frequency of lrc}</math> when RX TFS[1:0] is 2'b11 and RX_TDM_FSYNC_WIDTH_SEL0 is 1'b0.</p>

Bit	Attr	Reset Value	Description
7:0	RW	0x1f	<p>TSD</p> <p>Transmit sclk divider</p> <p>Can be written only when XFER[1] or XFER[0] bit is 0.</p> <p>8'h00~8'h1e: Reserved</p> <p>8'h1f~8'hff:</p> <p>Frequency of sclk = ((TSD&gt;&gt;1)+1)*2*frequency of lrcck when TX TFS[1:0] is 2'b00.</p> <p>Frequency of sclk = (TSD+1)*frequency of lrcck when TX TFS[1:0] is 2'b01.</p> <p>Frequency of sclk = (TDM_TX_FRAME_WIDTH+1)*frequency of lrcck when TX TFS[1:0] is 2'b10.</p> <p>Frequency of sclk = (TDM_TX_FRAME_WIDTH+1)*2*frequency of lrcck when TX TFS[1:0] is 2'b11 and TX_TDM_FSYNC_WIDTH_SEL0 is 1'b1.</p> <p>Frequency of sclk = ((TDM_TX_FRAME_WIDTH&gt;&gt;1)+1)*2*frequency of lrcck when TX TFS[1:0] is 2'b11 and TX_TDM_FSYNC_WIDTH_SEL0 is 1'b0.</p>

**I2S TDM 8CH TXFIFOLR**

Address: Operational Base + offset (0x000C)

Bit	Attr	Reset Value	Description
31:24	RO	0x00	reserved
23:18	RO	0x00	<p>TFL3</p> <p>Transmit FIFO3 level</p> <p>Contains the number of valid data entries in the transmit FIFO3.</p>
17:12	RO	0x00	<p>TFL2</p> <p>Transmit FIFO2 level</p> <p>Contains the number of valid data entries in the transmit FIFO2.</p>
11:6	RO	0x00	<p>TFL1</p> <p>Transmit FIFO1 level</p> <p>Contains the number of valid data entries in the transmit FIFO1.</p>
5:0	RO	0x00	<p>TFL0</p> <p>Transmit FIFO0 level</p> <p>Contains the number of valid data entries in the transmit FIFO0.</p>

**I2S TDM 8CH DMACR**

Address: Operational Base + offset (0x0010)

Bit	Attr	Reset Value	Description
31:25	RO	0x00	reserved
24	RW	0x0	<p>RDE</p> <p>Receive DMA enable</p> <p>1'b0: Receive DMA disabled</p> <p>1'b1: Receive DMA enabled</p>
23:21	RO	0x0	reserved

Bit	Attr	Reset Value	Description
20:16	RW	0x1f	RDL Receive Data Level This bit field controls the level at which a DMA request is made by the receive logic. The watermark level = DMARDL+1. That is, dma_rx_req is generated when the number of valid data entries in the receive FIFO is equal to or above this field value + 1.
15:9	RO	0x00	reserved
8	RW	0x0	TDE Transmit DMA enable 1'b0: Transmit DMA disabled 1'b1: Transmit DMA enabled
7:5	RO	0x0	reserved
4:0	RW	0x00	TDL Transmit data level This bit field controls the level at which a DMA request is made by the transmit logic. It is equal to the watermark level. That is, the dma_tx_req signal is generated when the number of valid data entries in the TX FIFO(TX FIFO0 if CSR=2'b00;TX FIFO1 if CSR>=2'b01, TX FIFO2 if CSR>=2'b10, TX FIFO3 if CSR=2'b11)is equal to or below this field value.

**I2S TDM 8CH INTCR**

Address: Operational Base + offset (0x0014)

Bit	Attr	Reset Value	Description
31:25	RO	0x00	reserved
24:20	RW	0x1f	RFT Receive FIFO threshold When the number of receive FIFO entries is more than or equal to this threshold plus 1, the receive FIFO full interrupt is triggered.
19	RO	0x0	reserved
18	WO	0x0	RXOIC RX overrun interrupt clear Write 1'b1 to clear RX overrun interrupt.
17	RW	0x0	RXOIE RX overrun interrupt enable 1'b0: Disable 1'b1: Enable
16	RW	0x0	RXFIE RX full interrupt enable 1'b0: Disable 1'b1: Enable
15:9	RO	0x00	reserved

Bit	Attr	Reset Value	Description
8:4	RW	0x00	TFT Transmit FIFO threshold When the number of transmit FIFO entries is less than or equal to this threshold, the transmit FIFO empty interrupt is triggered.
3	RO	0x0	reserved
2	RW	0x0	TXUIC TX underrun interrupt clear Write 1'b1 to clear TX underrun interrupt.
1	RW	0x0	TXUIE TX underrun interrupt enable 1'b0: Disable 1'b1: Enable
0	RW	0x0	TXEIE TX empty interrupt enable 1'b0: Disable 1'b1: Enable

**I2S TDM 8CH INTSR**

Address: Operational Base + offset (0x0018)

Bit	Attr	Reset Value	Description
31:18	RO	0x0000	reserved
17	RO	0x0	RXOI RX overrun interrupt 1'b0: Inactive 1'b1: Active
16	RO	0x0	RXFI RX full interrupt 1'b0: Inactive 1'b1: Active
15:2	RO	0x0000	reserved
1	RO	0x0	TXUI TX underrun interrupt 1'b0: Inactive 1'b1: Active
0	RO	0x0	TXEI TX empty interrupt 1'b0: Inactive 1'b1: Active

**I2S TDM 8CH XFER**

Address: Operational Base + offset (0x001C)

Bit	Attr	Reset Value	Description
31:2	RO	0x00000000	reserved

Bit	Attr	Reset Value	Description
1	RW	0x0	RXS RX start bit 1'b0: Stop RX transfer. 1'b1: Start RX transfer.
0	RW	0x0	TXS TX transfer start bit 1'b0: Stop TX transfer. 1'b1: Start TX transfer.

**I2S TDM 8CH CLR**

Address: Operational Base + offset (0x0020)

Bit	Attr	Reset Value	Description
31:2	RO	0x00000000	reserved
1	RW	0x0	RXC RX logic clear This is a self-cleared bit. Write 1'b1 to clear all receive logic.
0	RW	0x0	TXC TX logic clear This is a self-cleared bit. Write 1'b1 to clear all transmit logic.

**I2S TDM 8CH TXDR**

Address: Operational Base + offset (0x0024)

Bit	Attr	Reset Value	Description
31:0	WO	0x00000000	TXDR Transmit FIFO data register When it is written, data are moved into the transmit FIFO.

**I2S TDM 8CH RXDR**

Address: Operational Base + offset (0x0028)

Bit	Attr	Reset Value	Description
31:0	RO	0x00000000	RXDR Receive FIFO data register When the register is read, data in the receive FIFO is accessed.

**I2S TDM 8CH RXFIFOLR**

Address: Operational Base + offset (0x002C)

Bit	Attr	Reset Value	Description
31:24	RO	0x00	reserved
23:18	RO	0x00	RFL3 Receive FIFO3 level Contains the number of valid data entries in the receive FIFO3.
17:12	RO	0x00	RFL2 Receive FIFO2 level Contains the number of valid data entries in the receive FIFO2.

Bit	Attr	Reset Value	Description
11:6	RO	0x00	RFL1 Receive FIFO1 level Contains the number of valid data entries in the receive FIFO1.
5:0	RO	0x00	RFL0 Receive FIFO0 level Contains the number of valid data entries in the receive FIFO0.

**I2S TDM 8CH TDM TXCTRL**

Address: Operational Base + offset (0x0030)

Bit	Attr	Reset Value	Description
31:21	RO	0x000	reserved
20:18	RW	0x0	TX_TDM_FSYNC_WIDTH_SEL1 TDM transfer fsync width sel1 Can be written only when XFER[0] is 0. 3'b000: Single period of the sclk 3'b001: 2 period of the sclk n: n+1 period of the sclk 3'b110: 7 period of the sclk 3'b111: The width is equivalent to a channel block. Note: Function when TX TFS[1:0] is 2 or 3.
17	RW	0x0	TX_TDM_FSYNC_WIDTH_SEL0 TDM transfer fsync width sel0 Can be written only when XFER[0] is 0. 1'b0: 1/2 frame width. It should be set to an even number. 1'b1: Frame width.

Bit	Attr	Reset Value	Description
16:14	RW	0x0	<p>TDM_TX_SHIFT_CTRL TDM transfer shift ctrl Can be written only when XFER[0] is 0. 3'b000: PCM format 0: Normal mode, drive data on the second negedge of sclk after rising edge of LRCK. I2S format 0: Normal mode 3'b001: PCM format 1: 1/2 cycle shift left, drive data on second posedge of sclk after rising edge of LRCK. I2S format 1: Left justified mode 3'b010: PCM format 2: 1 cycle shift left, drive data on first negedge of sclk after rising edge of LRCK. I2S format 2: Right justified mode 3'b011: PCM format 3: 3/2 cycle shift left, drive data on first posedge of sclk after rising edge of LRCK. I2S format: Not supported 3'b100: PCM format 4: 2 cycle shift left, drive data aligned to the posedge of LRCK. I2S format: Not supported 3'b101~3'b111: Not supported Note: Function when TX TFS[1:0] is 2 or 3.</p>
13:9	RW	0x1f	<p>TDM_TX_SLOT_BIT_WIDTH TDM transfer slot bits Can be written only when XFER[0] is 0. 5'h00~5'h0e: Reserved 5'h0f: 16bit 5'h10: 17bit 5'h11: 18bit 5'h12: 19bit ..... 5'h1f: 32bit Note: Function when TX TFS[1:0] is 2 or 3.</p>



Bit	Attr	Reset Value	Description
8:0	RW	0x0ff	<p>TDM_TX_FRAME_WIDTH TDM transfer frame width Can be written only when XFER[0] is 0. 9'h000~9'h01e: Reserved 9'h01f: 32bit 9'h020: 33bit 9'h021: 34bit 9'h022: 35bit ..... 9'h1ff: 512bit Note: Functional when TX TFS[1:0] is 2 or 3.</p>

**I2S TDM 8CH TDM RXCTRL**

Address: Operational Base + offset (0x0034)

Bit	Attr	Reset Value	Description
31:21	RO	0x000	reserved
20:18	RW	0x0	<p>RX_TDM_FSYNC_WIDTH_SEL1 TDM receive fsync width sel1 Can be written only when XFER[1] is 0. 3'b000: Single period of the sclk 3'b001: 2 period of the sclk n: n+1 period of the sclk 3'b110: 7 period of the sclk 3'b111: The width is equivalent to a channel block Note: Function when RX TFS[1:0] is 2 or 3.</p>
17	RW	0x0	<p>RX_TDM_FSYNC_WIDTH_SELO TDM receive fsync width sel0 Can be written only when XFER[1] is 0. 1'b0: 1/2 frame width. It should be set to an even number. 1'b1: Frame width</p>

Bit	Attr	Reset Value	Description
16:14	RW	0x0	<p>TDM_RX_SHIFT_CTRL TDM receive shift ctrl Can be written only when XFER[1] is 0. 3'b000: PCM format 0: Normal mode, sample data on the third posedge of sclk after rising edge of LRCK. I2S format 0: Normal mode 3'b001: PCM format 1: 1/2 cycle shift left, sample data on second negedge of sclk after rising edge of LRCK. I2S format 1: left justified mode 3'b010: PCM format 2: 1 cycle shift left, sample data on second posedge of sclk after rising edge of LRCK. I2S format 2: Right justified mode 3'b011: PCM format 3: 3/2 cycle shift left, sample data on first negedge of sclk after rising edge of LRCK. I2S format: Not supported 3'b100: PCM format 4: 2 cycle shift left, sample data on the first posedge of sclk after rising edge of LRCK. I2S format: Not supported 3'b101~3'b111: Not supported Note: Function when RX TFS[1:0] is 2 or 3.</p>
13:9	RW	0x1f	<p>TDM_RX_SLOT_BIT_WIDTH TDM receive slot bits Can be written only when XFER[1] is 0. 5'h00~5'h0e: Reserved 5'h0f: 16bit 5'h10: 17bit 5'h11: 18bit 5'h12: 19bit ..... 5'h1f: 32bit Note: Function when RX TFS[1:0] is 2 or 3.</p>

Bit	Attr	Reset Value	Description
8:0	RW	0x0ff	TDM_RX_FRAME_WIDTH TDM receive frame width Can be written only when XFER[1] is 0. 9'h000~9'h01e: Reserved 9'h01f: 32bit 9'h020: 33bit 9'h021: 34bit 9'h022: 35bit ..... 9'h1ff: 512bit Note: Functional when RX TFS[1:0] is 2 or 3.

**I2S TDM 8CH CLKDIV**

Address: Operational Base + offset (0x0038)

Bit	Attr	Reset Value	Description
31:8	RO	0x0007	reserved
7:0	RW	0x07	MDIV Mclk divider Can be written only when XFER[0] bit is 0. mclk divider = (mclk/sclk)-1. For example, if mclk divider is 5, then the frequency of sclk is mclk/6.

**I2S TDM 8CH VERSION**

Address: Operational Base + offset (0x003C)

Bit	Attr	Reset Value	Description
31:0	RO	0x20150001	VER Version of I2S_TDM_8CH

**22.4.6 Registers Summary for I2S/PCM/TDM controllers Part 2**

For I2S4 and I2S8, only master TX mode is used, RX related registers should be ignored. Registers of I2S4 and I2S8 are same as I2S0, I2S1, I2S5, I2S6, I2S7, I2S9 and I2S10 except that I2S\_TDM\_8CH\_CKR is different.

Name	Offset	Size	Reset Value	Description
I2S_TDM_8CH_CKR	0x0000	W	0x00003e1f	Clock Generation Register

**22.4.7 Detail Registers Description**

**I2S TDM 8CH CKR**

Address: Operational Base + offset (0x0008)

Bit	Attr	Reset Value	Description
31:30	RO	0x0	reserved

Bit	Attr	Reset Value	Description
29:28	RW	0x0	LRCK_CTRL LRCK Control 2'b00: Generates LRCK for TX. Others: Reserved Please set it to 2'b00 in all situations.
27	RW	0x0	MSS Master/slave mode select Can be written only when XFER[1] or XFER[0] bit is 0. 1'b0: Master mode (sclk output) 1'b1: Slave mode (sclk input)
26	RW	0x0	CKP Sclk polarity Can be written only when XFER[1] or XFER[0] bit is 0. 1'b0: Sample data at posedge sclk and drive data at negedge sclk. 1'b1: Sample data at negedge sclk and drive data at posedge sclk.
25	RO	0x0	reserved
24	RW	0x0	LRCKP Lrck polarity Can be written only when XFER[1] or XFER[0] bit is 0. 1'b0: Normal polarity (I2S normal: Low for left channel, high for right channel I2S left/right just: High for left channel, low for right channel PCM start signal: High valid) 1'b1: Opposite polarity (I2S normal: High for left channel, low for right channel I2S left/right just: Low for left channel, high for right channel PCM start signal: Low valid)
23:18	RO	0x00	reserved
17:9	RO	0x1f	reserved

Bit	Attr	Reset Value	Description
8:0	RW	0x1f	<p>TSD</p> <p>Transmit sclk divider</p> <p>Can be written only when XFER[1] or XFER[0] bit is 0.</p> <p>8'h00~8'h1e: Reserved</p> <p>8'h1f~8'hff:</p> <p>Frequency of sclk = ((TSD&gt;&gt;1)+1)*2*frequency of lrck when TX TFS[1:0] is 2'b00.</p> <p>Frequency of sclk = (TSD+1)*frequency of lrck when TX TFS[1:0] is 2'b01.</p> <p>Frequency of sclk = (TDM_TX_FRAME_WIDTH+1)*frequency of lrck when TX TFS[1:0] is 2'b10.</p> <p>Frequency of sclk = (TDM_TX_FRAME_WIDTH+1)*2*frequency of lrck when TX TFS[1:0] is 2'b11 and TX_TDM_FSYNC_WIDTH_SEL0 is 1'b1.</p> <p>Frequency of sclk = ((TDM_TX_FRAME_WIDTH&gt;&gt;1)+1)*2*frequency of lrck when TX TFS[1:0] is 2'b11 and TX_TDM_FSYNC_WIDTH_SEL0 is 1'b0.</p>

## 22.5 Interface Description

### 22.5.1 I2S0 Interface Description

The following table shows the I2S0 interface description.

Table 22-1 I2S0 Interface Description

Module Pin	Direction	Pad Name	IOMUX Setting
i2s0_mclk	I/O	I2S0_MCLK/I2C6_SDA_M1/UART3_RTSM/ PWM3_IR_M2/SPI4_CLK_M0/GPIO1_C2_d	BUS_IOC_GPIO1C_IOMUX_SEL_L[11:8]=4'h1
i2s0_sclk	I/O	I2S0_SCLK/I2C6_SCL_M1/UART3_CTSN/ PWM7_IR_M2/SPI4_CS0_M0/GPIO1_C3_d	BUS_IOC_GPIO1C_IOMUX_SEL_L[15:12]=4'h1
i2s0_lrck	I/O	I2S0_LRCK/I2C2_SCL_M3/UART4_RTSM/ GPIO1_C5_d	BUS_IOC_GPIO1C_IOMUX_SEL_H[7:4]=4'h1
i2s0_sdo0	O	I2S0_SDO0/I2C4_SCL_M4/UART4_CTSN/ GPIO1_C7_d	US_IOC_GPIO1C_IOMUX_SEL_H[15:12]=4'h1
i2s0_sdo1	O	I2S0_SDO1/I2C7_SCL_M0/UART6_TX_M2/ /SPI1_MISO_M2/GPIO1_D0_d	BUS_IOC_GPIO1D_IOMUX_SEL_L[3:0]=4'h1
i2s0_sdo2	O	I2S0_SDO2/I2S0_SDI3/PDM0_SDI1_M0/ PCIE30PHY_DTB1/I2C7_SDA_M0/UART6_RX_M2/ SPI1_MOSI_M2/GPIO1_D1_d	BUS_IOC_GPIO1D_IOMUX_SEL_L[7:4]=4'h1
i2s0_sdo3	O	I2S0_SDO3/I2S0_SDI2/PDM0_SDI2_M0/I 2C1_SCL_M4/UART4_TX_M0/PWM0_M1/S PI1_CLK_M2/GPIO1_D2_d	BUS_IOC_GPIO1D_IOMUX_SEL_L[11:8]=4'h1
i2s0_sdi3	I	I2S0_SDO2/I2S0_SDI3/PDM0_SDI1_M0/ PCIE30PHY_DTB1/I2C7_SDA_M0/UART6_RX_M2/ SPI1_MOSI_M2/GPIO1_D1_d	BUS_IOC_GPIO1D_IOMUX_SEL_L[7:4]=4'h2
i2s0_sdi2	I	I2S0_SDO3/I2S0_SDI2/PDM0_SDI2_M0/I 2C1_SCL_M4/UART4_TX_M0/PWM0_M1/S PI1_CLK_M2/GPIO1_D2_d	BUS_IOC_GPIO1D_IOMUX_SEL_L[11:8]=4'h2

Module Pin	Direction	Pad Name	IOMUX Setting
i2s0_sdi1	I	I2S0_SDI1/PDM0_SDI3_M0/I2C1_SDA_M4/UART4_RX_M0/PWM1_M1/SPI1_CS0_M2/GPIO1_D3_d	BUS_IOC_GPIO1D_IOMUX_SEL_L[15:12]=4'h2
i2s0_sdi0	I	I2S0_SDI0/GPIO1_D4_d	BUS_IOC_GPIO1D_IOMUX_SEL_H[3:0]=4'h2

### 22.5.2 I2S1 Interface Description

The following table shows the I2S1 group 0 interface description.

Table 22-2 I2S1 Group 0 Interface Description

Module Pin	Direction	Pad Name	IOMUX Setting
i2s1_mclk	I/O	CIF_D0/BT1120_D0/I2S1_MCLK_M0/PCIE30X1_1_CLKREQN_M1/DDRPHY_CH0_DT B0/UART9_RTSN_M1/SPI0_MISO_M1/GPI O4_A0_d	BUS_IOC_GPIO4A_IOMUX_ SEL_L[3:0]=4'h3 && PMU1_IOC_GPIO0B_IOMUX_ SEL_H[7:4]==4'h0
i2s1_sclk	I/O	CIF_D1/BT1120_D1/I2S1_SCLK_M0/PCIE30X1_1_WAKEN_M1/DDRPHY_CH0_DTB_ 1/UART9_CTSN_M1/SPI0_MOSI_M1/GPIO 4_A1_d	BUS_IOC_GPIO4A_IOMUX_ SEL_L[7:4]=4'h3 && PMU1_IOC_GPIO0B_IOMUX_ SEL_H[11:8]==4'h0
i2s1_lrck	I/O	CIF_D2/BT1120_D2/I2S1_LRCK_M0/PCIE30X1_1_PERSTN_M1/DDRPHY_CH0_DTB2 /SPI0_CLK_M1/GPIO4_A2_d	BUS_IOC_GPIO4A_IOMUX_ SEL_L[11:8]=4'h3 && PMU1_IOC_GPIO0B_IOMUX_ SEL_H[15:12]==4'h0
i2s1_sdo0	O	MIPI_CAMERA0_CLK_M0/SPDIF1_TX_M1/ I2S1_SDO0_M0/PCIE30X1_0_BUTTON_R STN/SATA2_ACT_LED_M0/DDRPHY_CH2_ DTB1/I2C6_SCL_M3/UART8_RX_M0/SPI0 _CS1_M1/GPIO4_B1_u	BUS_IOC_GPIO4B_IOMUX_ SEL_L[7:4]=4'h3
i2s1_sdo1	O	CIF_HREF/BT1120_D8/I2S1_SDO1_M0/P CIE30X1_1_BUTTON_RSTN/DDRPHY_CH2 _DTB2/I2C7_SCL_M3/UART8_RTSN_M0/P WM14_M1/SPI0_CS0_M1/CAN1_RX_M1/G PIO4_B2_u	BUS_IOC_GPIO4B_IOMUX_ SEL_L[11:8]=4'h3
i2s1_sdo2	O	CIF_VSYNC/BT1120_D9/I2S1_SDO2_M0/ PCIE20X1_2_BUTTON_RSTN/DDRPHY_CH 2_DTB3/I2C7_SDA_M3/UART8_CTSN_M0 /PWM15_IR_M1/CAN1_TX_M1/GPIO4_B3 _u	BUS_IOC_GPIO4B_IOMUX_ SEL_L[15:12]=4'h3
i2s1_sdo3	O	CIF_CLKOUT/BT1120_D10/I2S1_SDO3_M 0/PCIE30X4_CLKREQN_M1/DP0_HPDI N_M0/SPDIF0_TX_M1/DDRPHY_CH3_DTB0/ UART9_TX_M1/PWM11_IR_M1/GPIO4_B4 _u	BUS_IOC_GPIO4B_IOMUX_ SEL_H[3:0]=4'h3
i2s1_sdi0	I	CIF_D5/BT1120_D5/I2S1_SDI0_M0/PCIE30X1_0_PERSTN_M1/DDRPHY_CH1_DTB_ 1/I2C3_SDA_M2/UART3_TX_M2/SPI2_MO SI_M1/GPIO4_A5_d	BUS_IOC_GPIO4A_IOMUX_ SEL_H[7:4]=4'h3 && PMU1_IOC_GPIO0C_IOMUX_ SEL_H[7:4]==4'h0
i2s1_sdi1	I	CIF_D6/BT1120_D6/I2S1_SDI1_M0/PCIE30X2_CLKREQN_M1/DDRPHY_CH1_DTB2/	BUS_IOC_GPIO4A_IOMUX_ SEL_H[11:8]=4'h3 && PMU1_IOC_GPIO0C_IOMUX_ SEL_H[11:8]==4'h0

Module Pin	Direction	Pad Name	IOMUX Setting
		I2C5_SCL_M2/UART3_RX_M2/SPI2_CLK_M1/GPIO4_A6_d	
i2s1_sdi2	I	CIF_D7/BT1120_D7/I2S1_SDI2_M0/PCIE30X2_WAKEN_M1/DDRPHY_CH1_DTB3/I2C5_SDA_M2/SPI2_CS0_M1/GPIO4_A7_d	BUS_IOC_GPIO4A_IOMUX_SEL_H[15:12]=4'h3 && PMU1_IOC_GPIO0C_IOMUX_SEL_H[15:12]==4'h0
i2s1_sdi3	I	CIF_CLKIN/BT1120_CLKOUT/I2S1_SDI3_M0/PCIE30X2_PERSTN_M1/DDRPHY_CH2_DTB0/I2C6_SDA_M3/UART8_TX_M0/SPI2_CS1_M1/GPIO4_B0_d	BUS_IOC_GPIO4B_IOMUX_SEL_L[3:0]=4'h3 && PMU1_IOC_GPIO0D_IOMUX_X_SEL_L[3:0]==4'h0

The following table shows the I2S1 group 1 interface description.

Table 22-3 I2S1 Group 1 Interface Description

Module Pin	Direction	Pad Name	IOMUX Setting
i2s1_mclk	I/O	I2S1_MCLK_M1/JTAG_TCK_M2/I2C1_SCL_M0/UART2_TX_M0/PCIE30X1_1_CLKREQ_N_M0/GPIO0_B5_d	PMU1_IOC_GPIO0B_IOMUX_SEL_H[7:4]=4'h1
i2s1_sclk	I/O	I2S1_SCLK_M1/JTAG_TMS_M2/I2C1_SDA_M0/UART2_RX_M0/PCIE30X1_1_WAKEN_M0/GPIO0_B6_d	PMU1_IOC_GPIO0B_IOMUX_SEL_H[11:8]=4'h1
i2s1_lrck	I/O	I2S1_LRCK_M1/PWM0_M0/I2C2_SCL_M0/CAN0_TX_M0/SPI0_CS1_M0/PCIE30X1_1_PERSTN_M0/GPIO0_B7_d	PMU1_IOC_GPIO0B_IOMUX_SEL_H[15:12]==4'h1
i2s1_sdo0	O	I2S1_SDO0_M1/CPU_BIG0_AVS/I2C0_SCL_M2/UART0_CTSN/UART1_TX_M2/HDMI_RX_SDA_M0/SPI0_CS0_M0/PCIE30X2_CLKREQ_N_M0/HDMI_TX0_CEC_M1/GPIO0_D1_u	PMU1_IOC_GPIO0D_IOMUX_X_SEL_L[7:4]=4'h1
i2s1_sdo1	O	I2S1_SDO1_M1/I2C0_SDA_M2/UART1_RX_M2/HDMI_RX_SCL_M0/SPI3_MOSI_M2/PCIE30X2_WAKEN_M0/HDMI_TX1_CEC_M1/GPIO0_D2_u	PMU1_IOC_GPIO0D_IOMUX_X_SEL_L[11:8]=4'h1
i2s1_sdo2	O	I2S1_SDO2_M1/PDM0_SDI2_M1/PWM3_IR_M0/I2C1_SCL_M2/CAN2_RX_M1/HDMI_TX0_SDA_M1/SPI3_CS0_M2/PCIE30X2_PERSTN_M0/SATA_CPDET/GPIO0_D4_u	PMU1_IOC_GPIO0D_IOMUX_X_SEL_H[3:0]=4'h1
i2s1_sdo3	O	I2S1_SDO3_M1/CPU_BIG1_AVS/I2C1_SDA_M2/CAN2_TX_M1/HDMI_TX0_SCL_M1/SPI3_CS1_M2/SATA_MP_SWITCH/GPIO0_D5_u	PMU1_IOC_GPIO0D_IOMUX_X_SEL_H[7:4]=4'h1
i2s1_sdi0	I	I2S1_SDI0_M1/GPU_AVS/UART0_TX_M0/I2C4_SCL_M2/DP1_HPDIN_M1/PWM4_M0/PCIE30X1_0_PERSTN_M0/GPIO0_C5_u	PMU1_IOC_GPIO0C_IOMUX_SEL_H[7:4]==4'h1
i2s1_sdi1	I	I2S1_SDI1_M1/NPU_AVS/UART0_RTSN/PWM5_M1/SPI0_CLK_M0/PCIE30X4_CLKREQ_N_M0/SATA_CP_POD/GPIO0_C6_u	PMU1_IOC_GPIO0C_IOMUX_SEL_H[11:8]==4'h1
i2s1_sdi2	I	I2S1_SDI2_M1/PDM0_SDI0_M1/I2C6_SDA_M0/UART1_RTSN_M2/PWM6_M0/SPI0_	PMU1_IOC_GPIO0C_IOMUX_SEL_H[15:12]==4'h1

Module Pin	Direction	Pad Name	IOMUX Setting
		MISO_M0/PCIE30X4_WAKEN_M0/GPIO0_C7_d	
i2s1_sdi3	I	I2S1_SDI3_M1/PDM0_SDI1_M1/I2C6_SCL_M0/UART1_CTSN_M2/PWM7_IR_M0/SP I3_MISO_M2/PCIE30X4_PERSTN_M0/GPI O0_D0_d	PMU1_IOC_GPIO0D_IOMU X_SEL_L[3:0]=4'h1

### 22.5.3 I2S2 Interface Description

The following table shows the I2S2 group 0 interface description.

Table 22-4 I2S2 Group 0 Interface Description

Module Pin	Direction	Pad Name	IOMUX Setting
i2s2_mclk	I/O	GMAC0_TXD0/I2S2_MCLK_M0/I2C5_SCL_M4/UART1_RX_M0/GPIO2_B6_d	BUS_IOC_GPIO2B_IOMUX_SEL_H[11:8]=4'h2 && BUS_IOC_GPIO3B_IOMUX_SEL_H[3:0]=4'h0
i2s2_sclk	I/O	GMAC0_TXD1/I2S2_SCLK_M0/I2C5_SDA_M4/UART1_TX_M0/GPIO2_B7_d	BUS_IOC_GPIO2B_IOMUX_SEL_H[15:12]=4'h2 && BUS_IOC_GPIO3B_IOMUX_SEL_H[7:4]=4'h0
i2s2_lrck	I/O	GMAC0_TXEN/I2S2_LRCK_M0/I2C2_SDA_M1/UART1_RTSN_M0/SPI1_CLK_M0/GPI O2_C0_d	BUS_IOC_GPIO2C_IOMUX_SEL_L[3:0]=4'h2 && BUS_IOC_GPIO3B_IOMUX_SEL_H[11:8]=4'h0
i2s2_sdo0	O	GMAC0_MCLKINOUT/I2S2_SDO_M0/I2C7_SCL_M1/PWM4_M1/SPI3_CS1_M0/GPIO 4_C3_d	BUS_IOC_GPIO4C_IOMUX_SEL_L[15:12]=4'h2
i2s2_sdi0	I	ETH0_REFCLKO_25M/I2S2_SDI_M0/I2C6_SCL_M2/SPI1_CS0_M0/GPIO2_C3_d	BUS_IOC_GPIO2C_IOMUX_SEL_L[15:12]=4'h2 && BUS_IOC_GPIO3B_IOMUX_SEL_L[11:8]=4'h0

The following table shows the I2S2 group 1 interface description.

Table 22-5 I2S2 Group 1 Interface Description

Module Pin	Direction	Pad Name	IOMUX Setting
i2s2_mclk	I/O	GMAC1_TXD1/I2S2_MCLK_M1/UART2_CTSN/GPIO3_B4_u	BUS_IOC_GPIO3B_IOMUX_SEL_H[3:0]=4'h3
i2s2_sclk	I/O	GMAC1_TXEN/I2S2_SCLK_M1/CAN1_RX_M0/UART3_TX_M1/PWM12_M0/GPIO3_B5_u	BUS_IOC_GPIO3B_IOMUX_SEL_H[7:4]=4'h3
i2s2_lrck	I/O	GMAC1_MCLKINOUT/I2S2_LRCK_M1/CAN1_TX_M0/UART3_RX_M1/PWM13_M0/GPI O3_B6_d	BUS_IOC_GPIO3B_IOMUX_SEL_H[11:8]=4'h3
i2s2_sdo0	O	GMAC1_TXD0/I2S2_SDO_M1/UART2_RTSN/GPIO3_B3_u	BUS_IOC_GPIO3B_IOMUX_SEL_L[15:12]=4'h3
i2s2_sdi0	I	GMAC1_TXER/I2S2_SDI_M1/UART2_RX_M2/PWM3_IR_M1/GPIO3_B2_d	BUS_IOC_GPIO3B_IOMUX_SEL_L[11:8]=4'h3

There are 2 IOMUX groups connected to I2S2. BUS\_IOC\_GPIO3B\_IOMUX\_SEL\_H[3:0], BUS\_IOC\_GPIO3B\_IOMUX\_SEL\_H[7:4], BUS\_IOC\_GPIO3B\_IOMUX\_SEL\_L[3:0], BUS\_IOC\_GPIO3B\_IOMUX\_SEL\_H[11:8], BUS\_IOC\_GPIO3B\_IOMUX\_SEL\_L[7:4] and BUS\_IOC\_GPIO3B\_IOMUX\_SEL\_L[11:8] are used to select whether I2S2 group 0 interface or group 1 interface is used.

### 22.5.4 I2S3 Interface Description

The following table shows the I2S3 interface description.



Table 22-6 I2S3 Interface Description

Module Pin	Direction	Pad Name	IOMUX Setting
i2s3_mclk	I/O	GMAC1_TXD2/SDIO_D0_M1/I2S3_MCLK/ FSPI_D0_M2/I2C6_SDA_M4/PWM10_M0/ SPI4_MISO_M1/GPIO3_A0_u	BUS_IOC_GPIO3A_IOMUX_ SEL_L[3:0]=4'h3
i2s3_sclk	I/O	GMAC1_TXD3/SDIO_D1_M1/I2S3_SCLK/ AUDDSM_LN/FSPI_D1_M2/I2C6_SCL_M4/ PWM11_IR_M0/SPI4_MOSI_M1/GPIO3_A 1_u	BUS_IOC_GPIO3A_IOMUX_ SEL_L[7:4]=4'h3 && SYS_GRF_SOC_CON6[8] =1'b1
i2s3_lrck	I/O	GMAC1_RXD2/SDIO_D2_M1/I2S3_LRCK/ AUDDSM_LP/FSPI_D2_M2/UART8_TX_M1 /SPI4_CLK_M1/GPIO3_A2_u	BUS_IOC_GPIO3A_IOMUX_ SEL_L[11:8]=4'h3 && SYS_GRF_SOC_CON6[9] =1'b1
i2s3_sdo0	O	GMAC1_RXD3/SDIO_D3_M1/I2S3_SDO/A UDDSM_RN/FSPI_D3_M2/UART8_RX_M1/ SPI4_CS0_M1/GPIO3_A3_u	BUS_IOC_GPIO3A_IOMUX_ SEL_L[15:12]=4'h3
i2s3_sdi0	I	GMAC1_TXCLK/SDIO_CMD_M1/I2S3_SDI /AUDDSM_RP/UART8_RTSN_M1/SPI4_CS 1_M1/GPIO3_A4_d	BUS_IOC_GPIO3A_IOMUX_ SEL_H[3:0]=4'h3

The TX interface of I2S3 can be also connected to the RX interface of Digital Audio Codec by programming SYS\_GRF\_SOC\_CON6[11]. If SYS\_GRF\_SOC\_CON6[11] is 1'b1, I2S3 is connected to Digital Audio Codec.

### 22.5.5 I2S4 and I2S8 Interface Description

I2S4 and I2S8 are connected to DPTX0 and DPTX1 respectively. I2S4 and I2S8 should be always operate in master TX mode, other modes are not support. Following table shows connection between I2S4/8 and DPTX0/1.

Table 22-7 I2S4/8 and DPTX0/1 Interface Description

Module Pin (I2S4/8)	Direction	Module Pin (DPTX0/1)
i2sx_sclk(x=4,8)	O	i2sclk
i2sx_lrck(x=4,8)	O	i2slrclk_i
i2sx_sdo[3:0] (x=4,8)	O	i2sdata_i[3:0]

### 22.5.6 I2S5 and I2S6 Interface Description

The TX interface of I2S5 can be connected to EDP TX Controller0 and HDMI TX Controller0 at the same time by programming VO1\_GRF\_VO1\_CON0[3] to 1'b1 and VO1\_GRF\_VO1\_CON3[13] to 1'b1 respectively. Note that I2S5 should always operate in master TX mode, other modes are not support.

The TX interface of I2S6 can be connected to EDP TX Controller1 and HDMI TX Controller1 at the same time by programming VO1\_GRF\_VO1\_CON1[3] to 1'b1 and VO1\_GRF\_VO1\_CON6[13] to 1'b1 respectively. Note that I2S6 should always operate in master TX mode, other modes are not support.

Following table shows connection between I2S5/6 and EDP TX Controller0/1.

Table 22-8 I2S5/6 and EDP TX Controller0/1 Interface Description

Module Pin (I2S5/6)	Direction	Module Pin (EDP TX Controller0/1)
i2sx_sclk(x=5,6)	O	I_I2S_SCK_IN
i2sx_lrck(x=5,6)	O	I_I2S_WS_IN
i2sx_sdo0 (x=5,6)	O	I_I2S_SD0_IN
i2sx_sdo1 (x=5,6)	O	I_I2S_SD1_IN
i2sx_sdo2 (x=5,6)	O	I_I2S_SD2_IN
i2sx_sdo3 (x=5,6)	O	I_I2S_SD3_IN

Table 22-9 I2S5/6 and HDMI TX Controller0/1 Interface Description

<b>Module Pin (I2S5/6)</b>	<b>Direction</b>	<b>Module Pin (HDMI TX Controller0/1)</b>
i2sx_sclk(x=5,6)	O	ii2s_sck
i2sx_lrck(x=5,6)	O	ii2s_ws
i2sx_sdo[3:0] (x=5,6)	O	ii2s_sdin[3:0]

### 22.5.7 I2S7 Interface Description

The RX interface of I2S7 is connected to HDMIRX. I2S7 should always operate in RX slave mode, other modes are not support. Following table shows connection between I2S7 and HDMIRX.

Table 22-10 I2S7 and HDMIRX Interface Description

<b>Module Pin</b>	<b>Direction</b>	<b>Module Pin</b>
i2s7_sclk	I	osao_i2s_sck
i2s7_lrck	I	osao_i2s_ws
i2s7_sdi[3:0]	I	osao_i2s_data[3:0]

### 22.5.8 I2S9 and I2S10 Interface Description

The RX interface of I2S9 and I2S10 are connected to HDMI TX Controller0 and HDMI TX Controller1 respectively. I2S9 and I2S10 should always operate in RX slave mode, other modes are not support. Following table shows connection between I2S9/10 and HDMI TX Controller0/1.

Table 22-11 I2S9/10 and HDMI TX Controller0/1 Interface Description

<b>Module Pin (I2S9/10)</b>	<b>Direction</b>	<b>Module Pin (HDMI TX Controller0/1)</b>
i2sx_sclk(x=9,10)	I	oearcx_dmac_sao_i2s_sck
i2sx_lrck(x=9,10)	I	oearcx_dmac_sao_i2s_ws
i2sx_sdi[3:0](x=9,10)	I	oearcx_dmac_sao_i2s_data[3:0]

## 22.6 Application Notes

### 22.6.1 Software Application Notes

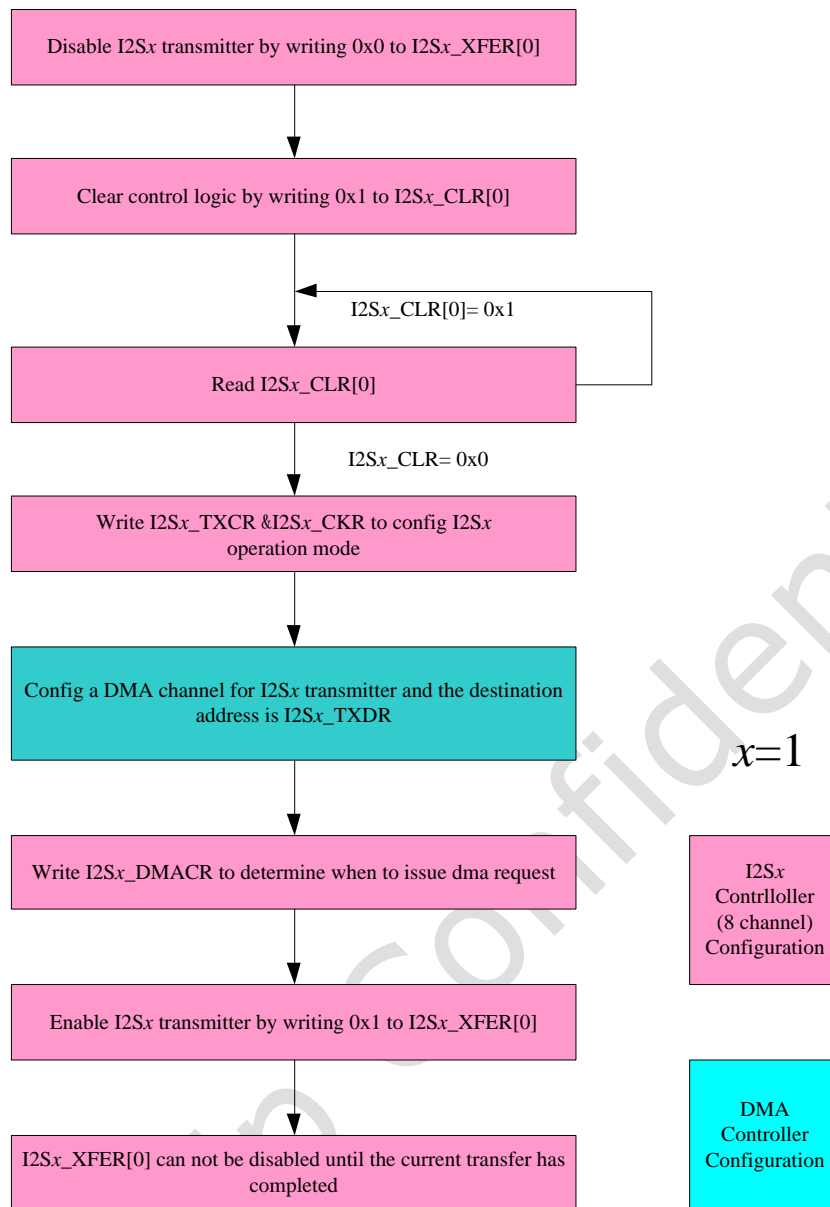


Fig. 22-20 I2S/PCM/TDM Controller Transmit Operation Flow Chart

Note: User should clear TX/RX logical by CLR[0]/CLR[1] and wait clear operation done before configure the other registers.

For I2S0, I2S1, I2S4, I2S5, I2S6, I2S7, I2S8, I2S9 and I2S10, these are I2S/PCM/TDM controllers. I2S/PCM/TDM controllers can support up to 16 channels when operate in TDM mode. Following configurations must be observed when in 16-channel TDM mode before starting sending or receiving audio data.

1. Set [I2S\\_TDM\\_8CH\\_TXCR.TFS](#) to 2'b11 or [I2S\\_TDM\\_8CH\\_RXCR.TFS](#) to 2'b11.
2. Set [I2S\\_TDM\\_8CH\\_TDM\\_TXCTRL.TX\\_TDM\\_FSYNC\\_WIDTH\\_SEL0](#) to 1'b1 or [I2S\\_TDM\\_8CH\\_TDM\\_RXCTRL.RX\\_TDM\\_FSYNC\\_WIDTH\\_SEL0](#) to 1'b1.
3. Set other registers properly.

## Chapter 23 SPDIF Transmitter

### 23.1 Overview

The SPDIF transmitter is a self-clocking, serial, unidirectional interface for the interconnection of digital audio equipment for consumer and professional applications, using linear PCM coded audio samples.

It provides the basic structure of the interface. Separate documents define items specific to particular applications.

When used in a professional application, the interface is primarily intended to carry monophonic or stereophonic programmes, at a 48 kHz sampling frequency and with a resolution of up to 24bits per sample; it may alternatively be used to carry signals sampled at 32 kHz or 44.1 kHz.

When used in a consumer application, the interface is primarily intended to carry stereophonic programmes, with a resolution of up to 20 bits per sample, an extension to 24 bits per sample being possible.

When used for other purposes, the interface is primarily intended to carry audio data coded other than as linear PCM coded audio samples. Provision is also made to allow the interface to carry data related to computer software or signals coded using non-linear PCM. The format specification for these applications is not part of this standard.

In all cases, the clock references and auxiliary information are transmitted along with the programme.

There are 6 SPDIF transmitters in total. They are SPDIF0, SPDIF1, SPDIF2, SPDIF3, SPDIF4 and SPDIF5.

MCLK is the operation clock of SPDIF transmitter. The maximum frequency of MCLK are different for the 6 SPDIF transmitters. Following table shows the maximum frequency of MCLK for SPDIF0, SPDIF1, SPDIF2, SPDIF3, SPDIF4 and SPDIF5.

Table 23-1 Maximum Frequency of MCLK for the 6 SPDIF Transmitters

SPDIF transmitter	Maximum frequency of MCLK
SPDIF0, SPDIF1	49.152MHz
SPDIF2, SPDIF5	393.216MHz
SPDIF3, SPDIF4	196.608MHz

Each SPDIF transmitter supports following features.

- Support one internal 32-bit wide and 32-location deep sample data buffer
- Support two 16-bit audio data store together in one 32-bit wide location
- Support AHB bus interface
- Support biphas format stereo audio data output
- Support DMA handshake interface and configurable DMA water level
- Support sample data buffer empty and block terminate interrupt
- Support combine interrupt output
- Support 16 to 31 bit audio data left or right justified in 32-bit wide sample data buffer
- Support 48, 44.1, 32kHz sample rate
- Support 16, 20, 24 bits audio data transfer

## 23.2 Block Diagram

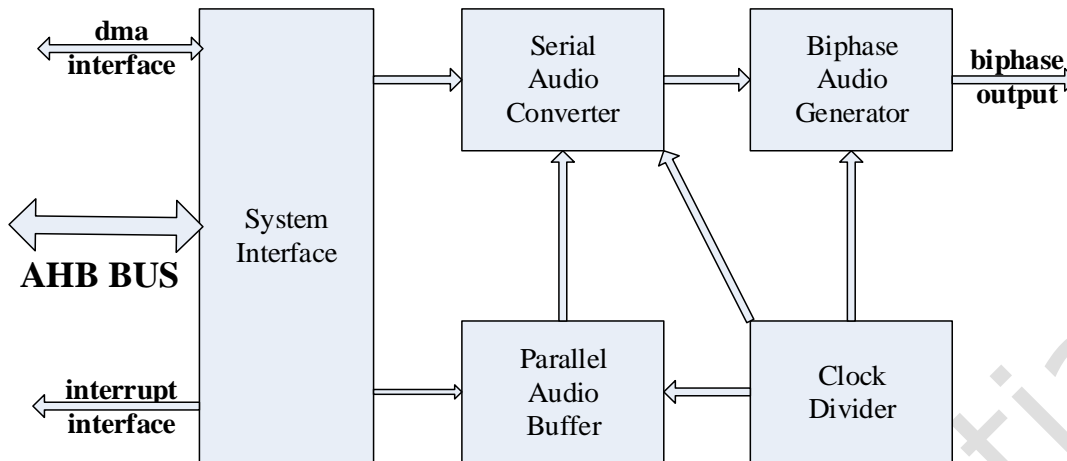


Fig. 23-1 SPDIF transmitter Block Diagram

The SPDIF transmitter is composed of following module.

### System Interface

The system interface implements the AHB slave operation. It contains not only control registers of transmitters and receiver inside but also interrupt and DMA handshaking interface.

### Clock Divider

The clock divider implements clock generation function. It divides the source clock MCLK to generate the working clock used for the digital audio data transformation and transmission.

### Parallel Audio Buffer

The parallel audio buffer stores the audio data to be transmitted. The size of the FIFO is 32bits x 32.

### Serial Audio Converter

The serial audio converter converts the parallel audio data from the parallel audio buffer to the serial audio data.

### Biphase Audio Generator

The biphase audio generator reads serial audio data from the serial audio converter and generates biphase audio data based on IEC-60958 standard.

## 23.3 Function description

### 23.3.1 Frame Format

A frame is uniquely composed of two sub-frames. For linear coded audio applications, the rate of transmission of frames corresponds exactly to the source sampling frequency. In the 2-channel operation mode, the samples taken from both channels are transmitted by time multiplexing in consecutive sub-frames. The first sub-frame(left channel in stereophonic operation and primary channel in monophonic operation) normally use preamble M. However, the preamble is changed to preamble B once every 192 frame to identify the start of the block structure used to organize the channel status information. The second sub-frame (right in stereophonic operation and secondary channel in monophonic operation) always use preamble W.

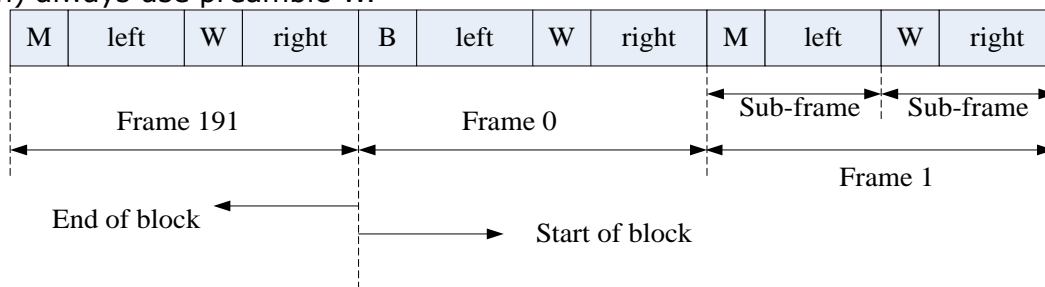


Fig. 23-2 SPDIF Frame Format

In the single channel operation mode in a professional application, the frame format is the

same as in the 2-channel mode. Data is carried only in the first sub-frame and may be duplicated in the second sub-frame. If the second sub-frame is not carrying duplicate data, then time slot 28 (validity flag) shall be set to logical '1' (not valid).

### 23.3.2 Sub-frame Format

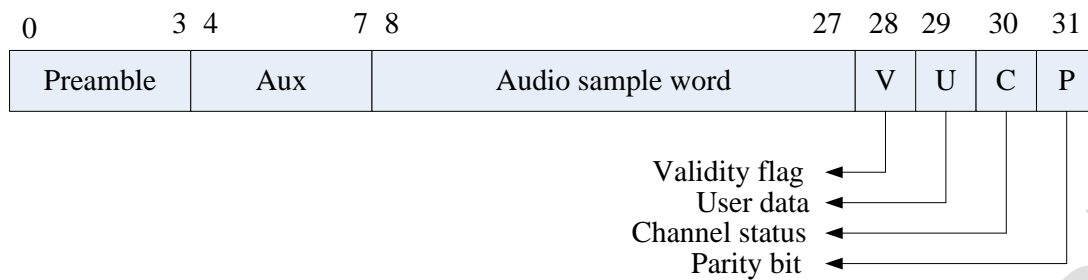


Fig. 23-3 SPDIF Sub-frame Format

Each sub-frame is divided into 32 time slots, numbered from 0 to 31. Time slot 0 to 3 carries one of the three permitted preambles. Time slot 4 to 27 carry the audio sample word in linear 2's complement representation. The MSB is carried by time slot 27. When a 24-bit coding range is used, the LSB is in time slot 4. When a 20-bit coding range is used, time slot 8 to 27 carry the audio sample word with the LSB in time slot 8. Time slot 4 to 7 may be used for other application. Under these circumstances, the bits in the time slot 4 to 7 are designated auxiliary sample bits.

If the source provides fewer bits than the interface allows (either 24 or 20), the unused LSBs are set to a logical '0'. For a non-linear PCM audio application or a data application the main data field may carry any other information. Time slot 28 carries the validity flag associated with the main data field. Time slot 29 carries 1 bit of the user data associated with the audio channel transmitted in the same sub-frame. Time slot 30 carries one bit of the channel status words associated with the main data field channel transmitted in the same sub-frame. Time slot 31 carries a parity bit such that time slots 4 to 31 inclusive carries an even number of ones and an even number of zeros.

### 23.3.3 Channel Coding

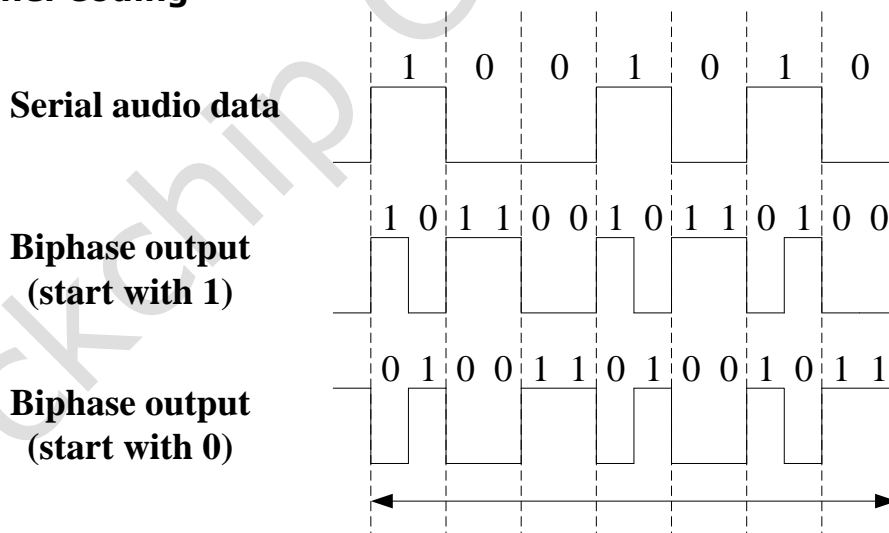


Fig. 23-4 SPDIF Channel Coding

To minimize the direct current component on the transmission line, to facilitate clock recovery from the data stream and to make the interface insensitive to the polarity of connections, time slots 4 to 31 are encoded in biphasse-mark.

Each bit to be transmitted is represented by a symbol comprising two consecutive binary states. The first state of a symbol is always different from the second state of the previous symbol. The second state of the symbol is identical to the first if the bit to be transmitted is logical '0'. However, it is different from the first if the bit is logical '1'.

### 23.3.4 Preamble

Preambles are specific patterns providing synchronization and identification of the sub-frames and blocks.

To achieve synchronization within one sampling period and to make this process completely reliable, these patterns violate the biphasemark code rules, thereby avoiding the possibility of data imitating the preambles.

A set of three preambles is used. These preambles are transmitted in the time allocated to four time slots (time slots 0 to 3) and are represented by eight successive states. The first state of the preamble is always different from the second state of the previous symbol.

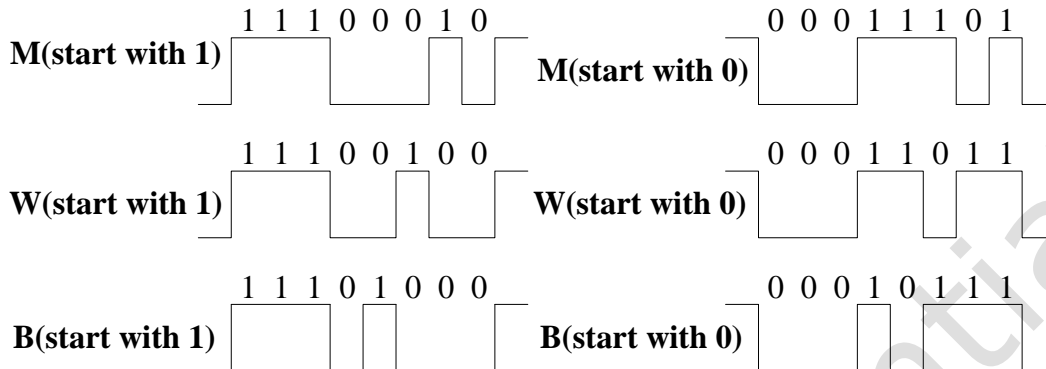


Fig. 23-5 SPDIF Preamble

Like biphasemark code, these preambles are dc free and provide clock recovery. They differ in at least two states from any valid biphasemark sequence.

## 23.4 Register Description

### 23.4.1 Registers Summary

Name	Offset	Size	Reset Value	Description
SPDIF_CFGR	0x0000	W	0x00000000	Transfer Configuration Register
SPDIF_SDBLR	0x0004	W	0x00000000	Sample Date Buffer Level Register
SPDIF_DMA CR	0x0008	W	0x00000000	DMA Control Register
SPDIF_INTCR	0x000C	W	0x00000000	Interrupt Control Register
SPDIF_INTSR	0x0010	W	0x00000000	Interrupt Status Register
SPDIF_XFER	0x0018	W	0x00000000	Transfer Start Register
SPDIF_SMPDR	0x0020	W	0x00000000	Sample Data Register
SPDIF_VLDFR <sub>n</sub>	0x0060	W	0x00000000	Validity Flag Register n(n=0~11)
SPDIF_USRDR <sub>n</sub>	0x0090	W	0x00000000	User Data Register n(n=0~11)
SPDIF_CHNSR <sub>n</sub>	0x00C0	W	0x00000000	Channel Status Register n(n=0~11)
SPDIF_BURTSINFO	0x0100	W	0x00000000	Channel Burst Info Register
SPDIF_REPETTION	0x0104	W	0x00000000	Channel Repetition Register
SPDIF_BURTSINFO_SHD	0x0108	W	0x00000000	Shadow Channel Burst Info Register
SPDIF_REPETTION_SHD	0x010C	W	0x00000000	Shadow Channel Repetition Register
SPDIF_USRDR_SHD <sub>n</sub>	0x0190	W	0x00000000	Shadow User Data Register n(n=0~11)
SPDIF_VERSION	0x01C0	W	0x20160100	Version Register

Notes: **Size: B**- Byte (8 bits) access, **HW**- Half WORD (16 bits) access, **W**-WORD (32 bits) access, **DW**- Double WORD (64 bits) access

### 23.4.2 Detail Registers Description

#### SPDIF\_CFGR

Address: Operational Base + offset (0x0000)

Bit	Attr	Reset Value	Description
31:24	RO	0x00	reserved

Bit	Attr	Reset Value	Description
23:16	RW	0x00	MCD Mclk divider Mclk is the operation clock. This parameter can be calculated by (frequency of mclk)/(Fs*128). Fs=sample frequency
15:9	RO	0x00	reserved
8	RW	0x0	PCMTYPE 1'b0: Linear PCM 1'b1: Non-linear PCM
7	WO	0x0	CLR Write 1'b1 to clear MCLK domain logic. Read return zero.
6	RW	0x0	CSE Channel status enable. 1'b0: Disable. 1'b1: Enable. The bit should be set to 1'b1 when the channel conveys non-linear PCM.
5	RW	0x0	UDE User data enable. 1'b0: Disable. User data bit field is 1'b0. 1'b1: Enable. User data bit field is defined by SPDIF_VLDFRn.
4	RW	0x0	VFE Validity data enable. 1'b0: Disable. Validity data bit field is 1'b0. 1'b1: Enable. For linear PCM mode, validity data bit field is defined by SPDIF_VLDFRn. For non-linear PCM mode, validity data bit field is 1'b1.
3	RW	0x0	ADJ 1'b0: Right justified 1'b1: Left justified If right justified, audio data bit23~0(VDW=2'b10)/bit19~0(VDW=2'b01)/bit15~0(VDW=2'b00) will be the valid bit to be transmitted. If left justified, audio data bit31~8(VDW=2'b10)/bit31~12(VDW=2'b01)/bit31~16(VDW=2'b00) will be the valid bit to be transmitted.
2	RW	0x0	HWT 1'b0: Disable 1'b1: Enable It is valid only when the valid data width is 16bit.
1:0	RW	0x0	VDW 2'b00: 16bit 2'b01: 20bit 2'b10: 24bit 2'b11: Reserved The valid data width is 16bit only for non-linear PCM.

**SPDIF\_SDBLR**

Address: Operational Base + offset (0x0004)

Bit	Attr	Reset Value	Description
31:6	RO	0x0000000	reserved
5:0	RW	0x00	SDBLR Contains the number of valid data entries in the sample data buffer.

**SPDIF\_DMACR**



Address: Operational Base + offset (0x0008)

Bit	Attr	Reset Value	Description
31:6	RO	0x0000000	reserved
5	RW	0x0	TDE 1'b0: Transmit DMA disabled. 1'b1: Transmit DMA enabled.
4:0	RW	0x00	TDL This bit field controls the level at which a DMA request is made by the transmit logic. It is equal to the watermark level. That is, the dma_tx_req signal is generated when the number of valid data entries in the Sample Date Buffer is equal to or below this field value.

**SPDIF\_INTCR**

Address: Operational Base + offset (0x000C)

Bit	Attr	Reset Value	Description
31:18	RO	0x0000	reserved
17	W1 C	0x0	UDTIC Write 1'b1 to clear the user data interrupt.
16	W1 C	0x0	BTTIC Write 1'b1 to clear the block transfer finish interrupt.
15:10	RO	0x00	reserved
9:5	RW	0x00	SDBT Sample date buffer threshold for empty interrupt.
4	RW	0x0	SDBEIE Sample data buffer empty interrupt enable. 1'b0: Disable 1'b1: Enable Sample data buffer empty interrupt will generate if interrupt is enabled and the number of entries is lower than threshold of empty interrupt.
3	RW	0x0	BTTIE Block transfer finish interrupt enable. 1'b0: Disable 1'b1: Enable When enabled, an interrupt will assert when the block transfer is finished if the channel conveys linear PCM or when the repetition period is reached if the channel conveys non-linear PCM.
2	RW	0x0	UDTIE User data interrupt enable. 1'b0: Disable 1'b1: Enable If enabled, an interrupt will assert when the content of the user data register is fed into the corresponding shadow register.
1:0	RO	0x0	reserved

**SPDIF\_INTSR**

Address: Operational Base + offset (0x0010)

Bit	Attr	Reset Value	Description
31:5	RO	0x0000000	reserved
4	RO	0x0	SDBEIS Sample data buffer empty interrupt status. 1'b0: Inactive 1'b1: Active

Bit	Attr	Reset Value	Description
3	RO	0x0	BTTIS Block transfer finish interrupt status. 1'b0: Inactive 1'b1: Active
2	RO	0x0	UDTIS User data interrupt status. 1'b0: Inactive 1'b1: Active
1:0	RO	0x0	reserved

**SPDIF\_XFER**

Address: Operational Base + offset (0x0018)

Bit	Attr	Reset Value	Description
31:1	RO	0x00000000	reserved
0	RW	0x0	XFER Transfer start.

**SPDIF\_SMPDR**

Address: Operational Base + offset (0x0020)

Bit	Attr	Reset Value	Description
31:0	WO	0x00000000	SMPDR Sample data written to this register will be pushed into internal transfer buffer.

**SPDIF\_VLDFRn**

Address: Operational Base + offset (0x0060)

Bit	Attr	Reset Value	Description
31:16	RW	0x0000	VLDFR_SUB_1 Validity flag for subframe 1
15:0	RW	0x0000	VLDFR_SUB_0 Validity flag for subframe 0

**SPDIF\_USRDRn**

Address: Operational Base + offset (0x0090)

Bit	Attr	Reset Value	Description
31:16	RW	0x0000	USR_SUB_1 User data bit for subframe 1
15:0	RW	0x0000	USR_SUB_0 User data bit for subframe 0

**SPDIF\_CHNSRn**

Address: Operational Base + offset (0x00C0)

Bit	Attr	Reset Value	Description
31:16	RW	0x0000	CHNSR_SUB_1 Channel status bit for subframe 1
15:0	RW	0x0000	CHNSR_SUB_0 Channel status bit for subframe 0

**SPDIF\_BURTSINFO**

Address: Operational Base + offset (0x0100)

Bit	Attr	Reset Value	Description
31:16	RW	0x0000	PD Preamble Pd for non-linear PCM, indicating the length of burst payload in unit of bytes or bits.

Bit	Attr	Reset Value	Description
15:13	RW	0x0	BSNUM This field indicates the bitstream number. Usually the bitstream number is 0.
12:8	RW	0x00	DATAINFO This field gives the data-type-dependent info.
7	RW	0x0	ERRFLAG 1'b0: Indicates a valid burst-payload. 1'b1: Indicates that the burst-payload may contain errors.
6:0	RW	0x00	DATATYPE 7'b0000000: Null data 7'b0000001: AC-3 data 7'b0000011: Pause data 7'b0000100: MPEG-1 layer 1 data 7'b0000101: MPEG-1 layer 2 or 3 data or MPEG-2 without extension 7'b0000110: MPEG-2 data with extension 7'b0000111: MPEG-2 AAC 7'b0001000: MPEG-2, layer-1 low sampling frequency 7'b0001001: MPEG-2, layer-2 low sampling frequency 7'b0001010: MPEG-2, layer-3 low sampling frequency 7'b0001011: DTS type I 7'b0001100: DTS type II 7'b0001101: DTS type III 7'b0001110: ATRAC 7'b0001111: ATRAC 2/3 7'b0010000: ATRAC-X 7'b0010001: DTS type IV 7'b0010010: WMA professional type I 7'b0110010: WMA professional type II 7'b1010010: WMA professional type III 7'b1110010: WMA professional type IV 7'b0010011: MPEG-2 AAC low sampling frequency 7'b0110011: MPEG-2 AAC low sampling frequency 7'b1010011: MPEG-2 AAC low sampling frequency 7'b1110011: MPEG-2 AAC low sampling frequency 7'b0010100: MPEG-4 AAC 7'b0110100: MPEG-4 AAC 7'b1010100: MPEG-4 AAC 7'b1110100: MPEG-4 AAC 7'b0010101: Enhanced AC-3 7'b0010110: MAT Others: Reserved

**SPDIF REPETTION**

Address: Operational Base + offset (0x0104)

Bit	Attr	Reset Value	Description
31:16	RO	0x0000	reserved
15:0	RW	0x0000	REPETTION This defines the repetition period when the channel conveys non-linear PCM.

**SPDIF BURTSINFO SHD**

Address: Operational Base + offset (0x0108)

Bit	Attr	Reset Value	Description
31:16	RO	0x0000	PD Preamble Pd for non-linear PCM, indicating the length of burst payload in unit of bytes or bits.
15:13	RO	0x0	BSNUM This field indicates the bitstream number. Usually the bitstream number is 0.
12:8	RO	0x00	DATAINFO This field gives the data-type-dependent info.
7	RO	0x0	ERRFLAG 1'b0: Indicates a valid burst-payload. 1'b1: Indicates that the burst-payload may contain errors.
6:0	RO	0x00	DATATYPE 7'b0000000: Null data 7'b0000001: AC-3 data 7'b0000011: Pause data 7'b0000100: MPEG-1 layer 1 data 7'b0000101: MPEG-1 layer 2 or 3 data or MPEG-2 without extension 7'b0000110: MPEG-2 data with extension 7'b0000111: MPEG-2 AAC 7'b0001000: MPEG-2, layer-1 low sampling frequency 7'b0001001: MPEG-2, layer-2 low sampling frequency 7'b0001010: MPEG-2, layer-3 low sampling frequency 7'b0001011: DTS type I 7'b0001100: DTS type II 7'b0001101: DTS type III 7'b0001110: ATRAC 7'b0001111: ATRAC 2/3 7'b0010000: ATRAC-X 7'b0010001: DTS type IV 7'b0010010: WMA professional type I 7'b0110010: WMA professional type II 7'b1010010: WMA professional type III 7'b1110010: WMA professional type IV 7'b0010011: MPEG-2 AAC low sampling frequency 7'b0110011: MPEG-2 AAC low sampling frequency 7'b1010011: MPEG-2 AAC low sampling frequency 7'b1110011: MPEG-2 AAC low sampling frequency 7'b0010100: MPEG-4 AAC 7'b0110100: MPEG-4 AAC 7'b1010100: MPEG-4 AAC 7'b1110100: MPEG-4 AAC 7'b0010101: Enhanced AC-3 7'b0010110: MAT Others: Reserved

**SPDIF REPETTION SHD**

Address: Operational Base + offset (0x010C)

Bit	Attr	Reset Value	Description
31:16	RO	0x0000	reserved

Bit	Attr	Reset Value	Description
15:0	RO	0x0000	REPETTION This register provides the repetition of the bitstream when channel conveys non-linear PCM. It defines the length between Pa of the two consecutive data-burst. For the same audio format, the definition is different. Please convert the actual repetition in order to comply with the design.

**SPDIF\_USRDR\_SHDn**

Address: Operational Base + offset (0x0190)

Bit	Attr	Reset Value	Description
31:16	RO	0x0000	USR_SUB_1 User data bit for subframe 1
15:0	RO	0x0000	USR_SUB_0 User data bit for subframe 0

**SPDIF\_VERSION**

Address: Operational Base + offset (0x01C0)

Bit	Attr	Reset Value	Description
31:0	RO	0x20160100	VER Version of SPDIF

**23.5 Interface Description**

SPDIF0 and SPDIF1 are used to communicate with audio equipment outside this chip.

Following table shows the interface of SPDIF0 and SPDIF1.

Table 23-2 SPDIF0 Interface Description

Module Pin	Dir	PIN Name	IOMUX Setting
spdif0_sdo	O	MIPI_CAMERA1_CLK_M0/SPDIF0_TX_M0/PCIE30X2_WAKEN_M3/HDMI_RX_HPDPDOUT_M2/I2C5_SCL_M3/UART1_TX_M1/GPIO1_B6_d	BUS_IOC_GPIO1B_IOMUX_SEL_H[1:8]=4'h3
~spdif0_sdo/ spdif0_sdo	O	CIF_CLKOUT/BT1120_D10/I2S1_SDO3_M0/PCIE30X4_CLKREQN_M1/DP0_HPDPIN_M0/SPDIF0_TX_M1/UART9_TX_M1/PWM11_IR_M1/GPIO4_B4_u	BUS_IOC_GPIO4B_IOMUX_SEL_H[3:0]=4'h6

Notes: I=input, O=output, I/O=input/output, bidirectional, ~spdif0\_sdo means inverse of spdif0\_sdo

SYS\_GRP\_SOC\_CON1[15] controls whether ~spdif0\_sdo or spdif0\_sdo is connected to SPDIF0\_TX\_M1/UART9\_TX\_M1/PWM11\_IR\_M1/GPIO4\_B4\_u.

Table 23-3 SPDIF1 Interface Description

Module Pin	Dir	PIN Name	IOMUX Setting
spdif1_sdo	O	MIPI_CAMERA2_CLK_M0/SPDIF1_TX_M0/PCIE30X2_PERSTN_M3/HDMI_RX_CEC_M2/SATA2_ACT_LED_M1/I2C5_SDA_M3/UART1_RX_M1/PWM13_M2/GPIO1_B7_u	BUS_IOC_GPIO1B_IOMUX_SEL_H[15:12]=4'h3
spdif1_sdo	O	MIPI_CAMERA0_CLK_M0/SPDIF1_TX_M1/I2S1_SDO0_M0/PCIE30X1_0_BUTTON_RSTN/SATA2_ACT_LED_M0/I2C6_SCL_M3/UART8_RX_M0/SPI0_CS1_M1/GPIO4_B1_u	BUS_IOC_GPIO4B_IOMUX_SEL_L[7:4]=4'h2
spdif1_sdo	O	BT1120_D15/SPDIF1_TX_M2/PCIE20X1_2_PERSTN_M1/HDMI_TX0_CEC_M0/I2C8_SDA_M3/PWM6_M1/SPI3_CS1_M1/GPIO4_C1_d	BUS_IOC_GPIO4C_IOMUX_SEL_L[7:4]=4'h3

Notes: I=input, O=output, I/O=input/output, bidirectional

The output of SPDIF3 are internally connected to EDP TX Controller0 and HDMI TX Controller0 respectively. The SPDIF audio interface of EDP TX Controller0 and HDMI TX Controller0 can work at the same time. If GRF\_VO1\_CON0[4] is set 1'b1, then the output of SPDIF3 are connected to

EDP TX Controller0. If GRF\_VO1\_CON3[14] is set 1'b1, then the output of SPDIF3 are connected to HDMI TX Controller0.

The output of SPDIF4 are internally connected to EDP TX Controller1 and HDMI TX Controller1 respectively. The SPDIF audio interface of EDP TX Controller1 and HDMI TX Controller1 can work at the same time. If GRF\_VO1\_CON1[4] is set 1'b1, then the output of SPDIF4 are connected to EDP TX Controller1. If GRF\_VO1\_CON6[14] is set 1'b1, then the output of SPDIF3 are connected to HDMI TX Controller1.

The output of SPDIF2 are internally connected to DPTX0. DPTX0 SPDIF audio interface operation clock and MCLK of SPDIF2 are from the same source. MCLK of SPDIF2 should be divided by 4 by programming SPDIF\_CFGR.MCD to 3 to meet the requirement that DPTX0 SPDIF audio interface operates at 4 times frequency over sample the output of SPDIF2. SPDIF5 is similar with SPDIF2 except that SPDIF5 is connected to DPTX1.

### 23.6 Application Notes

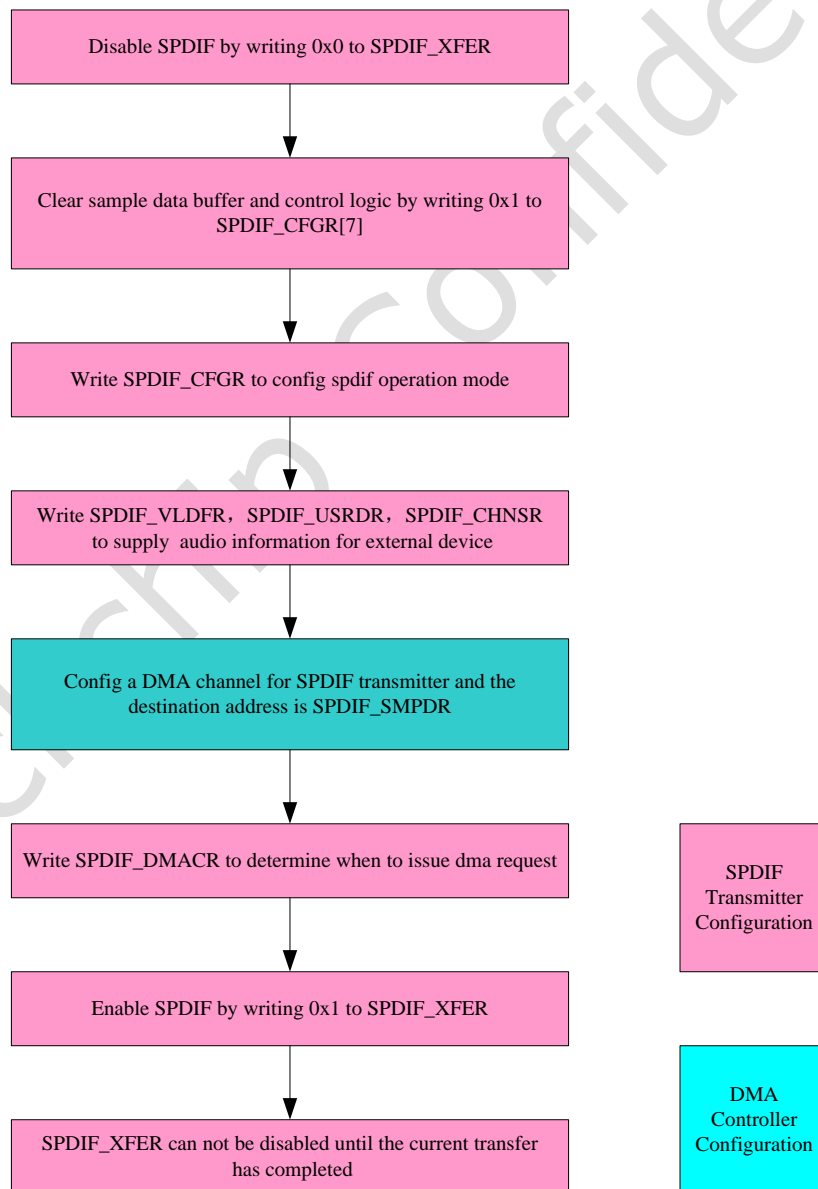


Fig. 23-6 SPDIF transmitter operation flow chart

The above figure shows the operation flow of SPDIF operation. Note that the configuration register can be written only when the transfer is stopped.

## Chapter 24 SPDIF Receiver

### 24.1 Overview

The SPDIF receiver is a self-clocking, serial, unidirectional interface for the interconnection of digital audio equipment for consumer and professional applications, using linear PCM coded audio samples.

It provides the basic structure of the interface. Separate documents define items specific to particular applications.

When used in a professional application, the interface is primarily intended to receive monophonic or stereophonic programmes, at a 48 kHz sampling frequency and with a resolution of up to 24bits per sample; it may alternatively be used to receive signals sampled at 32 kHz or 44.1 kHz.

When used in a consumer application, the interface is primarily intended to receive stereophonic programmes, with a resolution of up to 24 bits per sample.

When used for other purposes, the interface is primarily intended to receive audio data coded other than as linear PCM coded audio samples. Provision is also made to allow the interface to receive data related to computer software or signals coded using non-linear PCM. The format specification for these applications is not part of this standard.

There are 3 SPDIF receivers (SPDIF\_RX) in total. That are SPDIF\_RX0, SPDIF\_RX1 and SPDIF\_RX2. Each of them supports following features.

- Support AHB Bus Interface
- Support one internal 30-bit wide and 32-location deep FIFO for receiving audio data
- Support combined interrupt output
- Support DMA handshaking interface and configurable DMA water level
- Support liner PCM(IEC60958) and non-liner PCM(IEC61937)
- Support 16~24 bits audio sample length for liner PCM application
- Support 16 bits audio sample length for non-liner PCM application
- Support up to 384kHz sample rate with the corresponding reference clock equal to  $384\text{KHz} * 64 * 2 * 10$ , that is 491.52MHz
- Support the frequency of reference clock is at least 10 times the frequency of the biphas encoding clock, but not more than 256 times
- Support recovering clock and audio data from input bitstream

### 24.2 Block Diagram

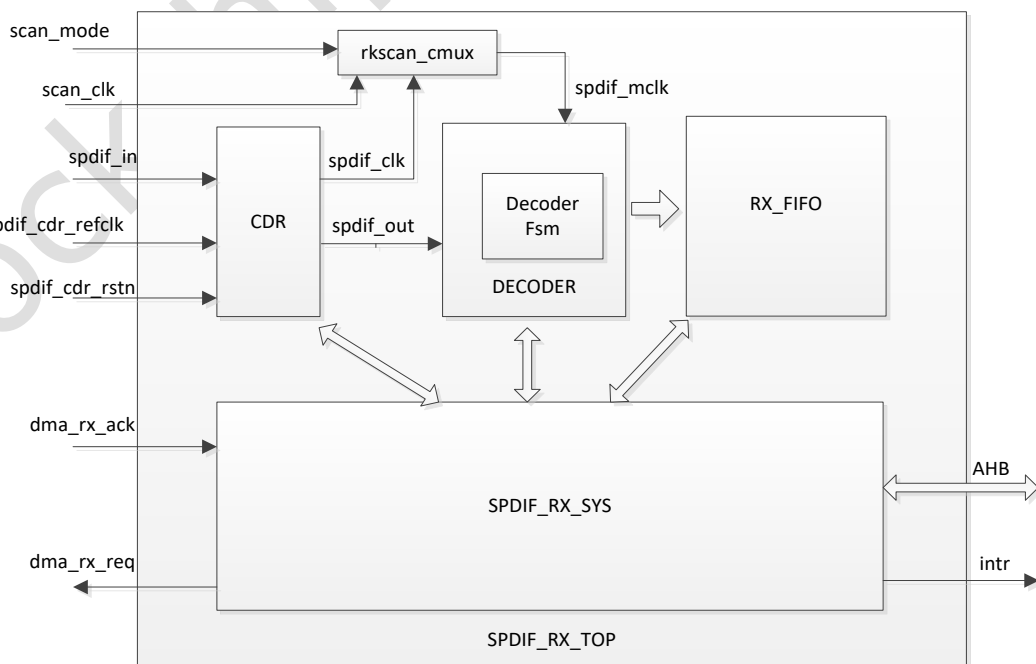


Fig. 24-1 SPDIF receiver Block Diagram

The SPDIF receiver is composed of following modules.

**SPDIF\_RX\_SYS**

The module implements the AHB slave operation. It contains not only control registers of SPDIF receiver inside but also interrupt and DMA handshaking interface.

**CDR**

The CDR is short for clock and data recovery. Clock and data can be recovered from the input bitstream by using a high frequency reference clock.

**DECODER**

The clock recovered from the CDR is used as the working clock to decode the input bitstream such as extracting audio data, the corresponding preamble code, V/U/C/P flags and other audio information.

**RX\_FIFO**

The RX FIFO stores the audio data extracted from input bitstream. The size of the FIFO is 30bitsx32.

**24.3 Function description**

**24.3.1 Frame Format**

SPDIF receiver follows the same protocol(IEC60958/IEC61937) as SPDIF transmitter. A frame is uniquely composed of two sub-frames. For linear coded audio applications, the rate of receiving of frames corresponds exactly to the source sampling frequency.

In the 2-channel operation mode, the samples received from both channels are arranged by time multiplexing in consecutive sub-frames. The first subframe(left channel in stereophonic operation and primary channel in monophonic operation) normally use preamble M.

However, the preamble is changed to preamble B once every 192 frame to identify the start of the block structure used to organize the channel status information. The second sub-frame (right in stereophonic operation and secondary channel in monophonic operation) always use preamble W.

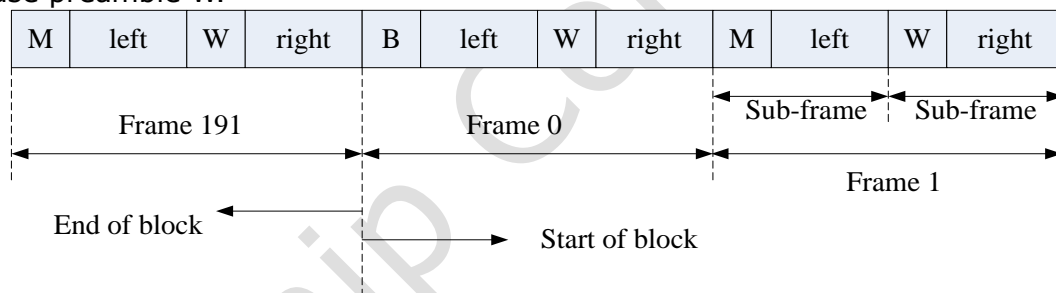


Fig. 24-2 SPDIF Frame Format

In the single channel operation mode in a professional application, the frame format is the same as in the 2-channel mode. Data is carried only in the first sub-frame and may be duplicated in the second sub-frame. If the second sub-frame is not carrying duplicate data, then time slot 28 (validity flag) shall be set to logical '1' (not valid).

**24.3.2 Sub-frame Format**

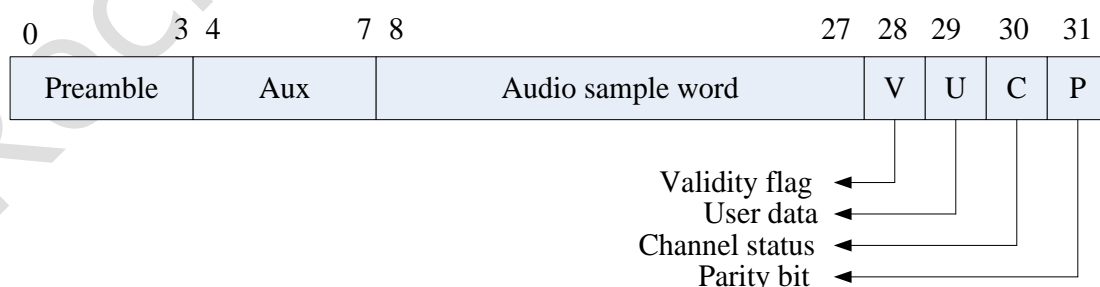


Fig. 24-3 SPDIF Sub-frame Format

Each sub-frame is divided into 32 time slots, numbered from 0 to 31. Time slot 0 to 3 carries one of the three permitted preambles. Time slot 4 to 27 carry the audio sample word in linear 2's complement representation. The MSB is carried by time slot 27. When a 24-bit coding range is used, the LSB is in time slot 4. When a 20-bit coding range is used, time slot 8 to 27 carry the audio sample word with the LSB in time slot 8. Time slot 4 to 7 may be



used for other application. Under these circumstances, the bits in the time slot 4 to 7 are designated auxiliary sample bits.

If the source provides fewer bits than the interface allows (either 24 or 20), the unused LSBs are set to a logical '0'. For a non-linear PCM audio application or a data application the main data field may carry any other information. Time slot 28 carries the validity flag associated with the main data field. Time slot 29 carries 1 bit of the user data associated with the audio channel transmitted in the same sub-frame. Time slot 30 carries one bit of the channel status words associated with the main data field channel transmitted in the same sub-frame. Time slot 31 carries a parity bit such that time slots 4 to 31 inclusive carries an even number of ones and an even number of zeros.

### 24.3.3 Channel Coding

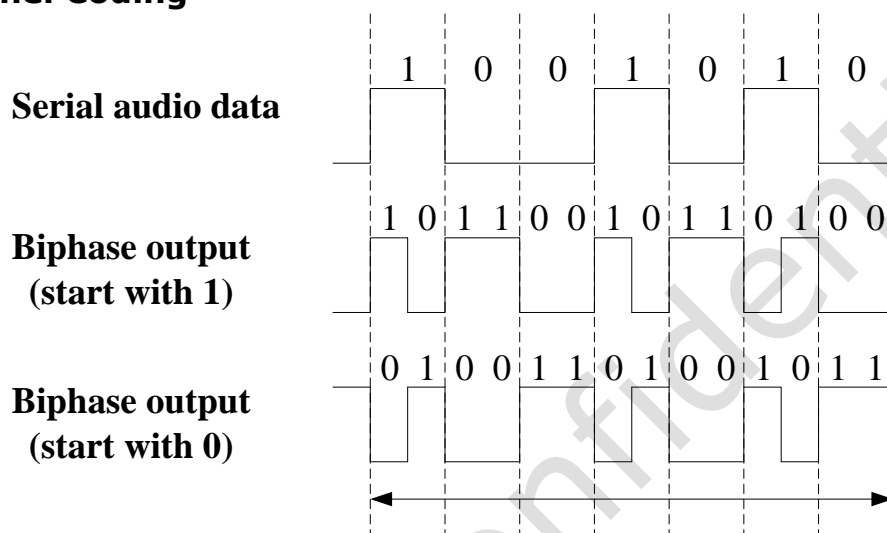


Fig. 24-4 SPDIF Channel Coding

To minimize the direct current component on the transmission/receiving line, to facilitate clock recovery from the data stream and to make the interface insensitive to the polarity of connections, time slots 4 to 31 are encoded in biphase-mark.

Each bit to be transmitted is represented by a symbol comprising two consecutive binary states. The first state of a symbol is always different from the second state of the previous symbol. The second state of the symbol is identical to the first if the bit to be transmitted is logical '0'. However, it is different from the first if the bit is logical '1'.

### 24.3.4 Preamble

Preambles are specific patterns providing synchronization and identification of the sub-frames and blocks.

To achieve synchronization within one sampling period and to make this process completely reliable, these patterns violate the biphase-mark code rules, thereby avoiding the possibility of data imitating the preambles.

A set of three preambles is used. These preambles are transmitted in the time allocated to four time slots (time slots 0 to 3) and are represented by eight successive states. The first state of the preamble is always different from the second state of the previous symbol.

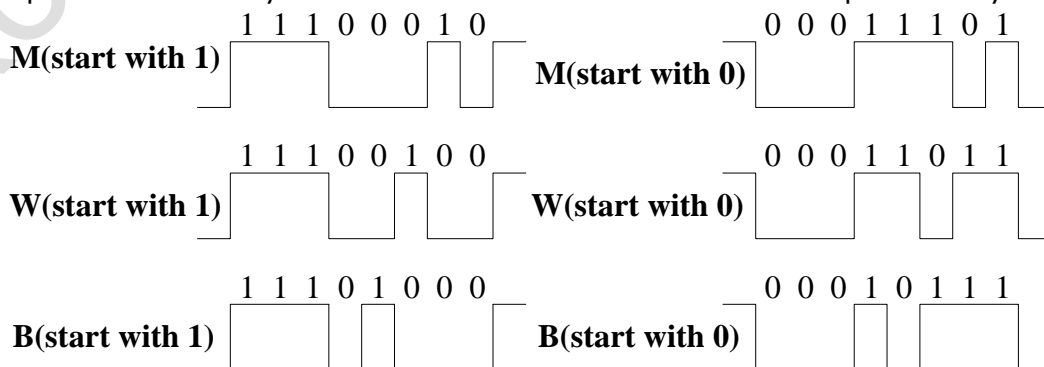


Fig. 24-5 SPDIF Preamble

Like biphase code, these preambles are dc free and provide clock recovery. They differ in at

least two states from any valid biphasic sequence.

## 24.4 Register Description

### 24.4.1 Registers Summary

Name	Offset	Size	Reset Value	Description
<u>SPDIF_RX_VERSION</u>	0x0000	W	0x00000100	Version Register
<u>SPDIF_RX_CFGR</u>	0x0004	W	0x00000000	Transfer Configuration Register
<u>SPDIF_RX_CLR</u>	0x0008	W	0x00000000	Clear Register
<u>SPDIF_RX_CDR</u>	0x000C	W	0x000000A1	Clock And Data Recovery Register
<u>SPDIF_RX_CDRST</u>	0x0010	W	0x03FF00FF	Clock And Data Recovery Status Register
<u>SPDIF_RX_DMACR</u>	0x0014	W	0x00000000	DMA Control Register
<u>SPDIF_RX_FIFOCTRL</u>	0x0018	W	0x00000000	FIFO Control Register
<u>SPDIF_RX_INTEN</u>	0x001C	W	0x00000000	Interrupt Enable Register
<u>SPDIF_RX_INTMASK</u>	0x0020	W	0x00000000	Interrupt Mask Register
<u>SPDIF_RX_INTSR</u>	0x0024	W	0x00000000	Interrupt Status Register
<u>SPDIF_RX_INTCLR</u>	0x0028	W	0x00000000	Interrupt Clear Register
<u>SPDIF_RX_SMPDR</u>	0x002C	W	0x00000000	Sample Data Register
<u>SPDIF_RX_USRDRn</u>	0x0030	W	0x00000000	User Data Register n(n=0~11)
<u>SPDIF_RX_CHNSRn</u>	0x0060	W	0x00000000	Channel Status Register n(n=0~11)
<u>SPDIF_RX_BURTSINFO</u>	0x0100	W	0x00000000	Channel Burst Info Register

Notes: **Size: B**- Byte (8 bits) access, **HW**- Half WORD (16 bits) access, **W**-WORD (32 bits) access, **DW**- Double WORD (64 bits) access

### 24.4.2 Detail Registers Description

#### **SPDIF\_RX\_VERSION**

Address: Operational Base + offset (0x0000)

Bit	Attr	Reset Value	Description
31:0	RO	0x00000100	VER Version of SPDIF_RX

#### **SPDIF\_RX\_CFGR**

Address: Operational Base + offset (0x0004)

Bit	Attr	Reset Value	Description
31:2	RO	0x00000000	reserved
1	RW	0x0	TWAD 1'b0: Only audio data transmitted to FIFO. 1'b1: Block start, channel number and VUCP transmitted with audio data to FIFO.
0	RW	0x0	EN 1'b0: Disable SPDIF_RX 1'b1: Enable SPDIF_RX

#### **SPDIF\_RX\_CLR**

Address: Operational Base + offset (0x0008)

Bit	Attr	Reset Value	Description
31:1	RO	0x00000000	reserved
0	RW	0x0	RXSC This is a software self-cleared bit. Write 1'b1 to clear all receive logic.

**SPDIF\_RX\_CDR**

Address: Operational Base + offset (0x000C)

Bit	Attr	Reset Value	Description
31:25	RO	0x00	reserved
24	RW	0x0	JITTRSH CDR jitter threshold. It is valid only when BYPASS is 1'b0.
23:16	RW	0x00	MIDRGE CDR jitter middle range. It is valid only when BYPASS is 1'b0.
15:11	RO	0x00	reserved
10:9	RO	0x0	CS CDR state 2'b00: Idle state. CDR is idle and waits for rising edge of SPDIF_RX input bitstream. 2'b01: Detect state 2'b10: Measurement state 2'b11: Synchronization state
8:7	RO	0x1	JITST CDR jitter status 2'b01: Low 2'b10: High 2'b11: Normal It is valid only when BYPASS is 1'b0.
6	RO	0x0	FULL CDR FIFO full status. 1'b0: Not full 1'b1: Full
5	RO	0x1	EMPTY CDR FIFO empty status. 1'b0: Not empty 1'b1: Empty
4:2	RW	0x0	AVGWIN Average the non-jitter recovered clk from bitstream at a period of AVGWIN time.
1	RW	0x0	AVGSEL Select if the min or average number of cycles from the calculation of SPDIF_RX input bitstream pulse width. 1'b0: Minimum number of cycles 1'b1: Average number of cycles, that is (max+min)/4.

Bit	Attr	Reset Value	Description
0	RW	0x1	<b>BYPASS</b> Write 1'b1 to enable CDR non-jitter bypass mode. It's recommended that this bit set to 1'b1. Please ensure that this bit is set to 1'b1 before starting receiving data.

**SPDIF\_RX\_CDRST**

Address: Operational Base + offset (0x0010)

Bit	Attr	Reset Value	Description
31:16	RW	0x03ff	<b>NOSTRTHR</b> The threshold counter determines the latency between input bitstream idle and exit synchronous status. Make sure that this value is large than 16'h03ff.
15:8	RO	0x00	<b>MAXCNT</b> The value indicates the number of reference clock cycles to oversample the maximum pulse width of bitstream.
7:0	RO	0xff	<b>MINCNT</b> The value indicates the number of reference clock cycles to oversample the minimum pulse width of bitstream.

**SPDIF\_RX\_DMACR**

Address: Operational Base + offset (0x0014)

Bit	Attr	Reset Value	Description
31:6	RO	0x0000000	reserved
5	RW	0x0	<b>RDE</b> 1'b0: Receive DMA disabled. 1'b1: Receive DMA enabled.
4:0	RW	0x00	<b>RDL</b> This bit field controls the level at which a DMA request is made by the receive logic. The watermark level = DMARDL+1. That is, dma_rx_req is generated when the number of valid data entries in the sample data buffer is equal to or above this field value + 1.

**SPDIF\_RX\_FIFOCTRL**

Address: Operational Base + offset (0x0018)

Bit	Attr	Reset Value	Description
31:14	RO	0x00000	reserved
13:8	RO	0x00	<b>RFL</b> Contains the number of valid data entries in the receive FIFO.
7:5	RO	0x0	reserved
4:0	RW	0x00	<b>RFT</b> When the number of receive FIFO entries is more than or equal to this threshold plus 1, the receive FIFO full interrupt is triggered.

**SPDIF\_RX\_INTEN**

Address: Operational Base + offset (0x001C)

Bit	Attr	Reset Value	Description
31:11	RO	0x000000	reserved
10	RW	0x0	<p>UBCIE</p> <p>1'b0: Disable</p> <p>1'b1: Enable</p> <p>If enabled, an interrupt will generate if current user bit is different from previous one.</p>
9	RW	0x0	<p>ESYNCIE</p> <p>1'b0: Disable</p> <p>1'b1: Enable</p> <p>If enabled, an interrupt will generate when entering synchronous state.</p>
8	RW	0x0	<p>BTEIE</p> <p>1'b0: Disable</p> <p>1'b1: Enable</p> <p>When enabled, an interrupt will generate when the block receive is finished if the channel conveys linear PCM or when the repetition period is reached if the channel conveys non-linear PCM.</p>
7	RW	0x0	<p>NSYNCIE</p> <p>1'b0: Disable</p> <p>1'b1: Enable</p> <p>If enabled, an interrupt will generate if CDR change from synchronization state to idle state.</p>
6	RW	0x0	<p>BMDEIE</p> <p>1'b0: Disable</p> <p>1'b1: Enable</p> <p>If enabled, an interrupt will generate if a bi-phase mark decoding error has occurred.</p>
5	RW	0x0	<p>RXOIE</p> <p>1'b0: Disable</p> <p>1'b1: Enable</p> <p>If enabled, an interrupt will generate if CDR FIFO is overrun.</p>
4	RW	0x0	<p>RXFIE</p> <p>1'b0: Disable</p> <p>1'b1: Enable</p> <p>If enabled, an interrupt will generate if CDR FIFO is full.</p>
3	RW	0x0	<p>NPSPIE</p> <p>1'b0: Disable</p> <p>1'b1: Enable</p> <p>If enabled, an interrupt will generate if non-linear PCM sync word is received.</p>

Bit	Attr	Reset Value	Description
2	RW	0x0	NVLDIE 1'b0: Disable 1'b1: Enable If enabled, an interrupt will generate if validity bit received from bitstream is 1'b1.
1	RW	0x0	CSCIE 1'b0: Disable 1'b1: Enable If enabled, an interrupt will generate if current channel status bit is different from previous one.
0	RW	0x0	PEIE 1'b0: Disable 1'b1: Enable If enabled, an interrupt will generate if a parity error has occurred.

**SPDIF\_RX\_INTMASK**

Address: Operational Base + offset (0x0020)

Bit	Attr	Reset Value	Description
31:11	RO	0x000000	reserved
10	RW	0x0	UBCIMSK 1'b0: Unmask 1'b1: Mask
9	RW	0x0	ESYNCIMSK 1'b0: Unmask 1'b1: Mask
8	RW	0x0	BTEIMSK 1'b0: Unmask 1'b1: Mask
7	RW	0x0	NSYNCIMSK 1'b0: Unmask 1'b1: Mask
6	RW	0x0	BMDEIMSK 1'b0: Don't mask 1'b1: Mask
5	RW	0x0	RXOIMSK 1'b0: Unmask 1'b1: Mask
4	RW	0x0	RXFIMSK 1'b0: Unmask 1'b1: Mask
3	RW	0x0	NPSPIMSK 1'b0: Unmask 1'b1: Mask

Bit	Attr	Reset Value	Description
2	RW	0x0	NVLDIMSK 1'b0: Don't mask 1'b1: Mask
1	RW	0x0	CSCIMSK 1'b0: Unmask 1'b1: Mask
0	RW	0x0	PEIMSK 1'b0: Unmask 1'b1: Mask

**SPDIF\_RX\_INTSR**

Address: Operational Base + offset (0x0024)

Bit	Attr	Reset Value	Description
31:11	RO	0x000000	reserved
10	RO	0x0	UBCISR 1'b0: Inactive 1'b1: Active
9	RO	0x0	ESYNCISR 1'b0: Inactive 1'b1: Active
8	RO	0x0	BTEISR 1'b0: Inactive 1'b1: Active
7	RO	0x0	NSYNCISR 1'b0: Inactive 1'b1: Active
6	RO	0x0	BMDEISR 1'b0: Inactive 1'b1: Active
5	RO	0x0	RXOIS 1'b0: Inactive 1'b1: Active
4	RO	0x0	RXFIS 1'b0: Inactive 1'b1: Active
3	RO	0x0	NPSPIS 1'b0: Inactive 1'b1: Active
2	RO	0x0	NVLDIS 1'b0: Inactive 1'b1: Active
1	RO	0x0	CSCIS 1'b0: Inactive 1'b1: Active

Bit	Attr	Reset Value	Description
0	RO	0x0	PEIS 1'b0: Inactive 1'b1: Active

**SPDIF\_RX\_INTCLR**

Address: Operational Base + offset (0x0028)

Bit	Attr	Reset Value	Description
31:11	RO	0x000000	reserved
10	RW	0x0	UBICCLR Write 1'b1 to clear user bit change interrupt.
9	RW	0x0	ESYNCICLR Write 1'b1 to clear entering synchronous state interrupt.
8	RW	0x0	BTEICLR Write 1'b1 to clear block transfer/repetition period end interrupt.
7	RW	0x0	NSYNCICLR Write 1'b1 to clear CDR not synchronization interrupt.
6	RW	0x0	BMDEICLR Write 1'b1 to clear bi-phase mark decoding interrupt.
5	RW	0x0	RXOICLR Write 1'b1 to clear receive overrun interrupt.
4	RW	0x0	RXFICLR Write 1'b1 to clear receive full interrupt.
3	RW	0x0	NPSPICLR Write 1'b1 to clear non-linear PCM sync word received interrupt.
2	RW	0x0	NVLDICLR Write 1'b1 to clear validity bit received interrupt.
1	RW	0x0	CSCICLR Write 1'b1 to clear channel status change interrupt.
0	RW	0x0	PEICLR Write 1'b1 to clear parity error interrupt.

**SPDIF\_RX\_SMPDR**

Address: Operational Base + offset (0x002C)

Bit	Attr	Reset Value	Description
31:0	RO	0x00000000	SMPDR Sample Data Register

**SPDIF\_RX\_USRDRn**

Address: Operational Base + offset (0x0030)

Bit	Attr	Reset Value	Description
31:16	RO	0x0000	USR_SUB_1 User data bit for subframe 1
15:0	RO	0x0000	USR_SUB_0 User data bit for subframe 0



**SPDIF\_RX\_CHNSRn**

Address: Operational Base + offset (0x0060)

Bit	Attr	Reset Value	Description
31:16	RW	0x0000	CHNSR_SUB_1 Channel status bit for subframe 1
15:0	RO	0x0000	CHNSR_SUB_0 Channel status bit for subframe 0

**SPDIF\_RX\_BURTSINFO**

Address: Operational Base + offset (0x0100)

Bit	Attr	Reset Value	Description
31:16	RW	0x0000	PD Preamble Pd for non-linear PCM, indicating the length of burst payload in unit of bytes or bits.
15:13	RW	0x0	BSNUM This field indicates the bitstream number. Usually the bitstream number is 0.
12:8	RO	0x00	DATAINFO This field gives the data-type-dependent info.
7	RO	0x0	ERRFLAG 1'b0: Indicates a valid burst-payload. 1'b1: Indicates that the burst-payload may contain errors.

Bit	Attr	Reset Value	Description
6:0	RO	0x00	DATATYPE 7'b0000000: Null data 7'b0000001: AC-3 data 7'b0000011: Pause data 7'b0000100: MPEG-1 layer 1 data 7'b0000101: MPEG-1 layer 2 or 3 data or MPEG-2 without extension 7'b0000110: MPEG-2 data with extension 7'b0000111: MPEG-2 AAC 7'b0001000: MPEG-2, layer-1 low sampling frequency 7'b0001001: MPEG-2, layer-2 low sampling frequency 7'b0001010: MPEG-2, layer-3 low sampling frequency 7'b0001011: DTS type I 7'b0001100: DTS type II 7'b0001101: DTS type III 7'b0001110: ATRAC 7'b0001111: ATRAC 2/3 7'b0010000: ATRAC-X 7'b0010001: DTS type IV 7'b0010010: WMA professional type I 7'b0110010: WMA professional type II 7'b1010010: WMA professional type III 7'b1110010: WMA professional type IV 7'b0010011: MPEG-2 AAC low sampling frequency 7'b0110011: MPEG-2 AAC low sampling frequency 7'b1010011: MPEG-2 AAC low sampling frequency 7'b1110011: MPEG-2 AAC low sampling frequency 7'b0010100: MPEG-4 AAC 7'b0110100: MPEG-4 AAC 7'b1010100: MPEG-4 AAC 7'b1110100: MPEG-4 AAC 7'b0010101: Enhanced AC-3 7'b0010110: MAT Others: Reserved

## 24.5 Interface Description

SPDIF\_RX0/SPDIF\_RX1 are connected to HDMI TX Controller0/HDMI TX Controller1 respectively, while SPDIF\_RX2 is connected to HDMIRX.

## 24.6 Application Notes

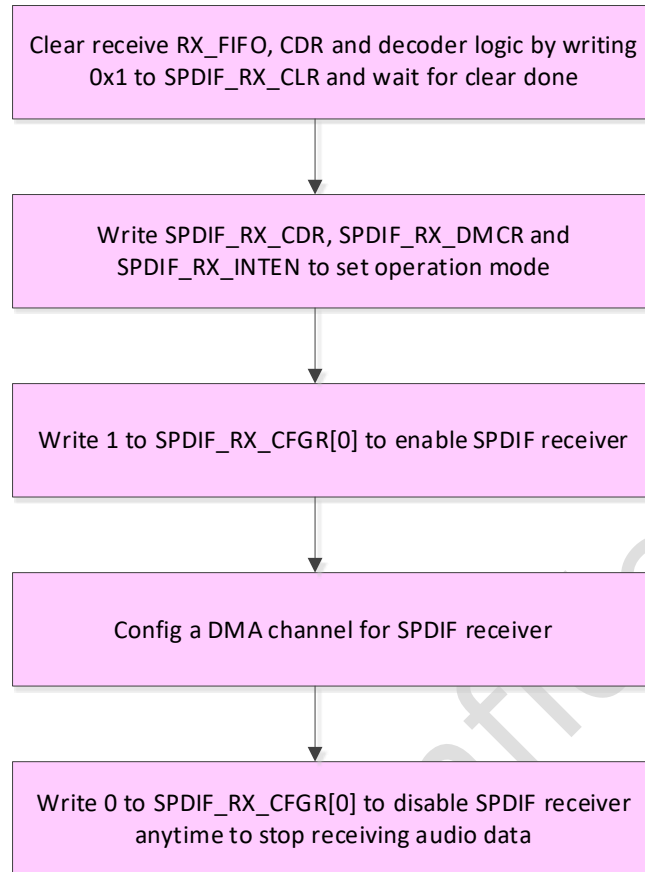


Fig. 24-6 SPDIF receiver operation flow chart

The above figure shows the operation flow of SPDIF receiver operation.

## Chapter 25 Gigabit Media Access Controller (GMAC)

### 25.1 Overview

The Ethernet Quality-of-Service controller (EQOS is commonly referred to as GMAC in this document) provides a complete Ethernet interface from processor to a Reduced Media Independent Interface (RMII) and Reduced Gigabit Media Independent Interface (RGMI) compliant Ethernet PHY. The GMAC includes a DMA controller. The DMA controller efficiently moves packet data from microprocessor's RAM, formats the data for an IEEE 802.3-2002 compliant packet and transmits the data to an Ethernet Physical Interface (PHY). It also efficiently moves packet data from RXFIFO to microprocessor's RAM.

The following features may or may not be present in the actual product. Please contact Rockchip for the actual feature configurations and the third-party licensing requirements.

#### 25.1.1 MAC Features

##### 25.1.1.1 MAC Tx and Rx Common Features

- Supports 10/100/1000-Mbps data transfer rates with the RGMI interfaces
- Supports 10/100-Mbps data transfer rates with the RMII interfaces
- Half-duplex operation:
  - CSMA/CD Protocol support
  - Flow control using back-pressure support (based on implementation-specific white papers and UNH Ethernet Clause 4 MAC Test Suite - Annex D)
  - Packet bursting and packet extension in 1000 Mbps half-duplex operation
- Standard IEEE 802.3az-2010 for Energy Efficient Ethernet in Reduced Gigabit Media Independent Interface (RGMI) PHYs
- 64-bit data transfer interface on the application side
- Full-duplex flow control operations (IEEE 802.3x Pause packets and Priority flow control)
- network statistics with RMON or MIB Counters (RFC2819/RFC2665)
- Support Ethernet packet timestamping as described in IEEE 1588-2002 and IEEE 1588-2008 (64-bit timestamps given in the Tx or Rx status of PTP packet). Both one-step and two-step timestamping is supported in TX direction
- Flexibility to control the Pulse-Per-Second (PPS) output signal (ptp\_pps\_o)
- Media clock generation and recovery
- MDIO (Clause 22 and Clause 45) master interface for PHY device configuration and management

##### 25.1.1.2 MAC Tx Features

- Preamble and start of packet data (SFD) insertion
- Separate 32-bit status for each packet transmitted from the application
- Automatic CRC and pad generation controllable on a per-packet basis
- Programmable packet length to support Standard or Jumbo Ethernet packets with up to 16 KB of size
- Programmable Inter Packet Gap (40–96 bit times in steps of 8)
- IEEE 802.3x Flow Control automatic transmission of zero-quantum Pause packet when flow control input transitions from assertion to de-assertion (in full-duplex mode)
- Source Address field insertion or replacement, and VLAN insertion, replacement, and deletion in transmitted packets with per-packet or static-global control
- Insertion, replacement, or deletion of up to two VLAN tags
- Frame Preemption for MAC Tx

##### 25.1.1.3 MAC Rx Features

- Automatic Pad and CRC Stripping options
- Option to disable Automatic CRC checking
- Preamble and SFD deletion
- Separate 112-bit or 128-bit status
- Programmable watchdog timeout limit
- Flexible address filtering modes:
  - Up to 31 additional 48-bit perfect (DA) address filters with masks for each byte

- Up to 96 additional 48-bit perfect (DA) address filters that can be selected in blocks of 32 and 64 registers
- Up to 31 48-bit SA address comparison check with masks for each byte
- 32 bit, 64 bit, 128 bit, or 256 bit Hash filter (optional) for multicast and unicast (DA) addresses
- Option to pass all multi-cast addressed packets
- Promiscuous mode to pass all packets without any filtering for network monitoring
- Pass all incoming packets (as per filter) with a status report
- Additional packet filtering:
  - VLAN tag-based: Perfect match and Hash-based (optional) filtering. Filtering based on either outer or inner VLAN tag is possible
  - Layer 3 and Layer 4-based: TCP or UDP over IPv4 or IPv6
  - Extended VLAN tag based filtering 4, 8, 16, or 32 filter selection
- IEEE 802.1Q VLAN tag detection and option to delete the VLAN tags in received packets
- Optional module to detect remote wake-up packets and AMD magic packets
- Optional forwarding of received Pause packets to the application (in full-duplex mode)
- Frame Preemption for MAC Rx

## **25.1.2 MTL Features**

### **25.1.2.1 MTL Tx and Rx Common Features**

- 32-bit, 64-bit, or 128-bit Transaction Layer block (bridges the application and the MAC)
- Data transfers executed using simple FIFO protocol
- Synchronization for all clocks in the design (Transmit, Receive, and Application clocks)
- Optimization for packet-oriented transfers with packets delimiters
- Option to have dual-port RAM based asynchronous FIFO controllers or Single-port RAM based synchronous FIFO controllers
- RAM memory instantiation outside the top-level module to facilitate memory testing or instantiation
- Programmable burst length, up to half the size of the MTL Rx queue or Tx queue size, to support burst data transfer in the EQOS-MTL configuration
- Programmable threshold capability for each queue (default of 64 bytes)
- Optional Debug and slave mode operation on Queue 0 (default queue)

### **25.1.2.2 MTL Tx Features**

- TX FIFO sizes on transmission is 16 KB
- Store-and-Forward mechanism or threshold mode (cut-through) for transmission to the MAC
- Programmable queue size in configurations with multiple queues. Each queue size can be programmed in terms of 256 bytes
- Automatic retransmission of collision packets in half-duplex mode
- Discard packets on late collision, excessive collisions, excessive deferral, and under-run conditions with appropriate status
- Disabling of Data Memory RAM chip-select when inactive to reduce power consumption
- Optional module to calculate and insert IPv4 header checksum and TCP, UDP, or ICMP checksum
- Programmable interrupt options for different operational conditions
- Statistics by generating pulses for packets dropped (because of underflow) in the Tx FIFO
- Optional packet-level control for
  - VLAN tag insertion or replacement
  - Ethernet source address insertion
  - Layer3/Layer4 Checksum insertion control
  - One-step timestamp
  - Timestamp control
  - CRC and pad control
- Following scheduling algorithms in configurations with multiple queues:
  - Weighted Round Robin (WRR)
  - (When Data Center Bridging is enabled) Deficit Weighted Round Robin (DWRR)

- (When Data Center Bridging is enabled) Weighted Fair Queuing (WFQ)
- Strict Priority (SP)
- (When Audio-Video Bridging is enabled) Credit-based Shaper (CBS)
- (When TSN is enabled), Enhancement to Scheduled Traffic (EST)
- (When TSN is enabled), Time Based Scheduling (TBS)
- Option to support dropping of Tx Status to improve the Transmit throughput

### **25.1.2.3 MTL Rx Features**

- Rx queue sizes in the Receive path is 32 KB
- Insertion of Rx Status vectors into the Rx queue after the EOP transfer (in Threshold mode) and before SOP (in Store-and-Forward mode) in EQOS-MTL configuration
- Programmable Rx queue threshold (default fixed at 64 bytes) in Threshold (or cut-through) mode
- Option to filter all error packets on reception and not forward them to the application in the store-and-forward mode
- Option to forward the undersized good packets
- Statistics by generating pulses for packets dropped (because of overflow) in the Rx FIFO
- Automatic generation of Pause packet control or backpressure signal to the MAC based on the Rx Queue fill level
- Arbitration among queues when multiple queues are present. The following arbitration schemes are supported:
  - Weighted Round Robin (WRR)
  - Weighted Strict priority (WSP)
  - Strict Priority (SP)
- Option to replicate received multicast packets for transfer by multiple Rx DMA channels
- Option to have a programmable lookup table based flexible Parser for filtering and steering the Rx packets

### **25.1.3 DMA Block Features**

- 64-bit data transfers
- Separate DMA channel in the Transmit path for each queue in MTL
- Single or multiple DMA channels for any number of queues in MTL Receive path
- Fully synchronous design operating on a single application clock (except for CSR module, when a separate CSR clock is configured)
- Optimization for packet-oriented DMA transfers with packet delimiters
- Byte-aligned addressing for data buffer support
- Dual-buffer (ring) descriptor support
- Descriptor architecture to allow large blocks of data transfer with minimum CPU intervention (each descriptor can transfer up to 32 KB of data)
- Comprehensive status reporting for normal operation and transfers with errors
- Individual programmable burst length for Tx DMA and Rx DMA engines for optimal host bus utilization
- Programmable interrupt options for different operational conditions
- Per-packet Transmit or Receive Complete Interrupt control
- Round-robin or fixed-priority arbitration between the Receive and Transmit engines
- Start and Stop modes
- Separate ports for host CSR access and host data interface
- support for TCP Segmentation Offload (TSO) and UDP Segmentation Offload (USO)
- Selectable number of Tx DMA channels with TSO/USO feature enabled
- Routing of received packets to the DMA channels based on the DA or VLAN Priority in multi-channel DMA configurations
- Option to split the packet header (Layer 3 and Layer 4) and payload in a different buffers
- Time-sensitive conditional packet fetching from system memory by comparing the Slot Time or IEEE 1588 time information provided in the descriptor (useful for AV applications)
- Programmable control for Transmit Descriptor posted writes to improve the throughput
- Sideband signals to control starting and stopping of DMA channels

## 25.2 Block Diagram

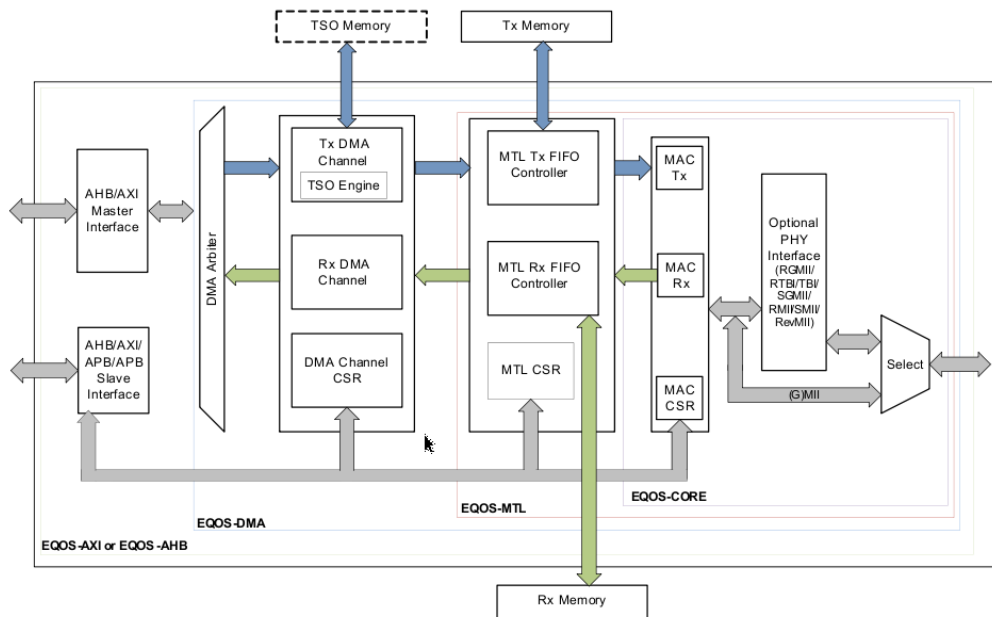


Fig. 25-1 GMAC Block Diagram

The GMAC is broken up into multiple separate functional units. These blocks are interconnected in the MAC module. The block diagram shows the general flow of data and control signals between these blocks.

The GMAC transfers data to system memory through the AXI master interface. The host CPU uses the APB Slave interface to access the GMAC subsystem’s control and status registers (CSRs).

The GMAC supports the PHY interfaces of reduced GMII (RGMII) and reduced MII (RMII). The Transmit FIFO (Tx FIFO) buffers data read from system memory by the DMA before transmission by the GMAC Core. Similarly, the Receive FIFO (Rx FIFO) stores the Ethernet frames received from the line until they are transferred to system memory by the DMA. These are asynchronous FIFOs, as they also transfer the data between the application clock and the GMAC line clocks.

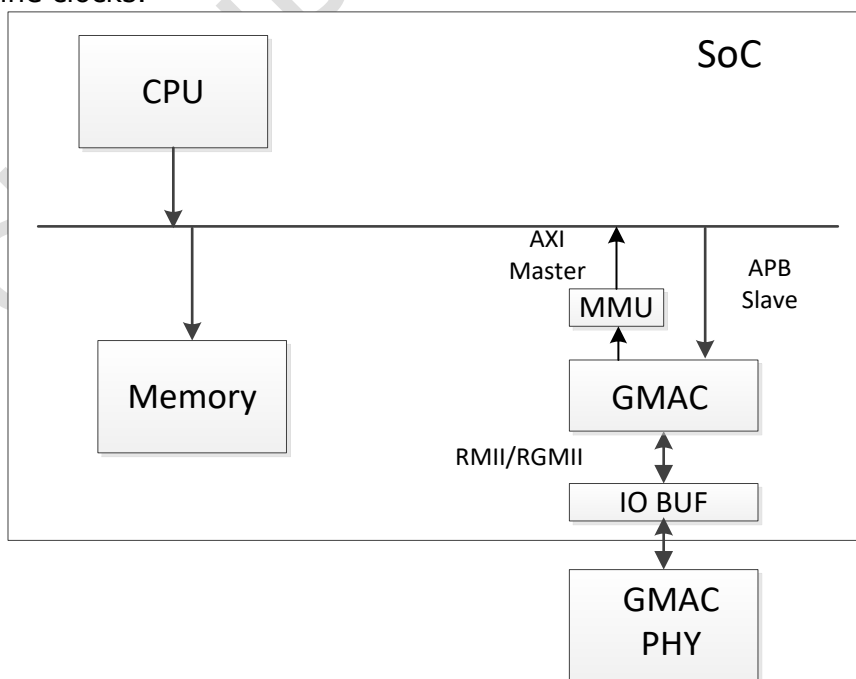


Fig. 25-2 GMAC in SOC

GMAC Supports 10/100/1000-Mbps data transfer rates with the RGMII interfaces and Supports 10/100-Mbps data transfer rates with the RMII interfaces.

## 25.3 Function Description

### 25.3.1 Frame Structure

Data frames transmitted shall have the frame format shown in Fig.1-3.

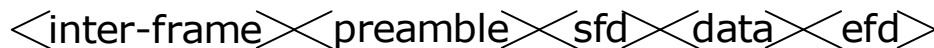


Fig. 25-3 Frame Format

The preamble <preamble> begins a frame transmission. The bit value of the preamble field consists of 7 octets with the following bit values:

10101010 10101010 10101010 10101010 10101010 10101010 10101010

The SFD (start frame delimiter) <sfd> indicates the start of a frame and follows the preamble. The bit value is 10101011. The data in a well formed frame shall consist of N octet's data.

#### 25.3.1.1 RMII Interface timing diagram

The Reduced Media Independent Interface (RMII) specification reduces the pin count between Ethernet PHYs and Switch ASICs (only in 10/100 mode). According to the IEEE 802.3u standard, an MII contains 16 pins for data and control. In devices incorporating multiple MAC or PHY interfaces (such as switches), the number of pins adds significant cost with increase in port count. The RMII specification addresses this problem by reducing the pin count to 7 for each port - a 62.5% decrease in pin count.

The RMII module is instantiated between the GMAC and the PHY. This helps translation of the MAC's MII into the RMII. The RMII block has the following characteristics:  
 Supports 10-Mbps and 100-Mbps operating rates. It does not support 1000-Mbps operation.  
 Two clock references are sourced externally or CRU, providing independent, 2-bit wide transmit and receive paths.

#### 25.3.1.2 Transmit Bit Ordering

Each nibble from the MII must be transmitted on the RMII a di-bit at a time with the order of di-bit transmission shown in Fig.1-4. The lower order bits (D1 and D0) are transmitted first followed by higher order bits (D2 and D3).

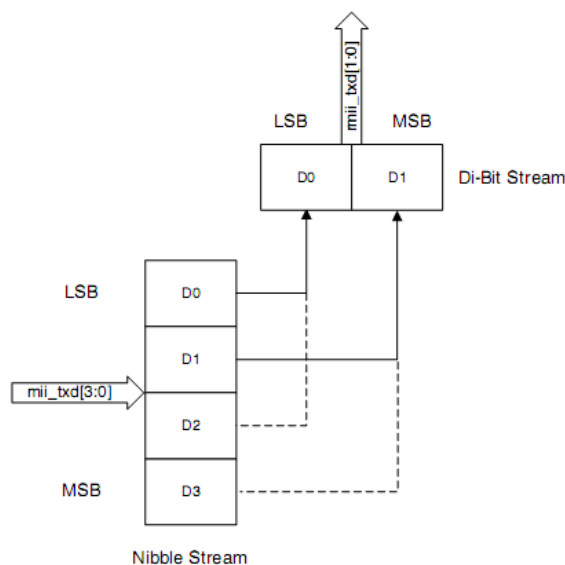


Fig. 25-4 RMII Transmission Bit Ordering

#### 25.3.1.3 RMII Transmit Timing Diagrams

Fig.1-5 through 1-8 show MII-to-RMII transaction timing. The clk\_rmii\_i (REF\_CLK) frequency is 50MHz in RMII interface. In 10Mb/s mode, as the REF\_CLK frequency is 10 times as the data rate, the value on rmii\_txd\_o[1:0] (TXD[1:0]) shall be valid such that TXD[1:0] may be sampled every 10th cycle, regard-less of the starting cycle within the group and yield the correct frame data.



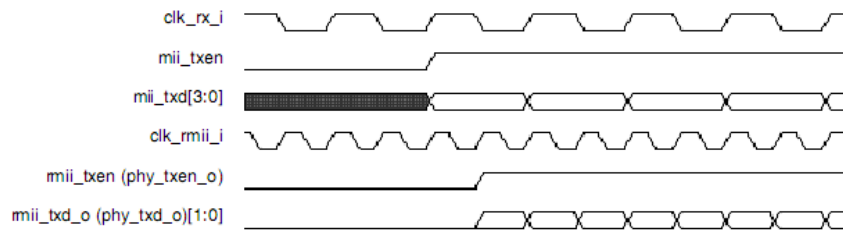


Fig. 25-5 Start of MII and RMII Transmission in 100-Mbps Mode

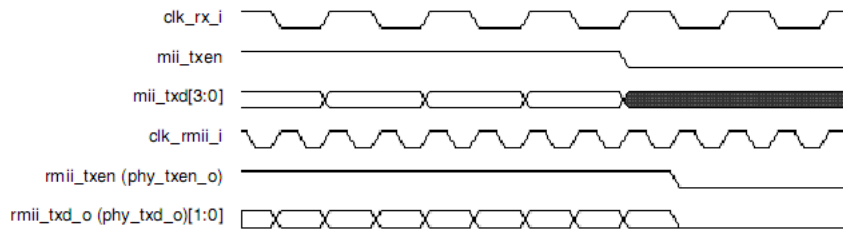


Fig. 25-6 End of MII and RMII Transmission in 100-Mbps Mode

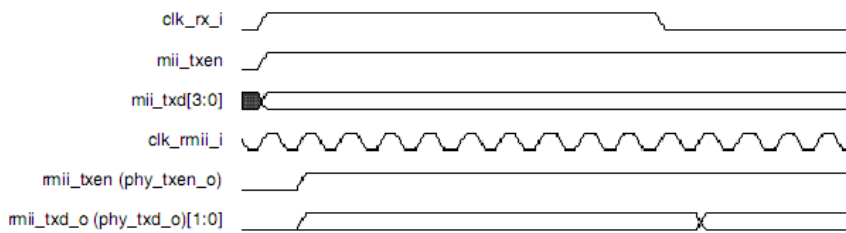


Fig. 25-7 Start of MII and RMII Transmission in 10-Mbps Mode

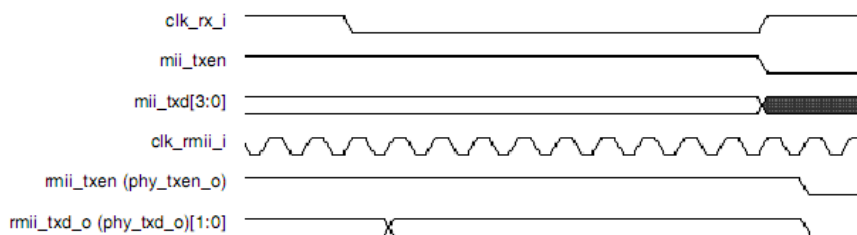


Fig. 25-8 End of MII and RMII Transmission in 10-Mbps Mode

#### 25.3.1.4 Receive Bit Ordering

Each nibble is transmitted to the MII from the di-bit received from the RMII in the nibble transmission order shown in Fig.1-9. The lower order bits (D0 and D1) are received first, followed by the higher order bits (D2 and D3).

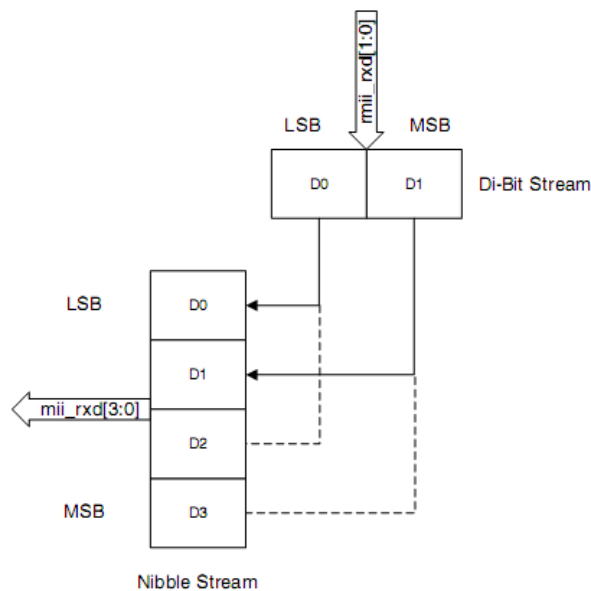


Fig. 25-9 RGMII Receive Bit Ordering

### 25.3.1.5 RGMII Interface

The Reduced Gigabit Media Independent Interface (RGMII) specification reduces the pin count of the interconnection between the GMAC 10/100/1000 controller and the PHY for GMII and MII interfaces. To achieve this, the data path and control signals are reduced and multiplexed together with both the edges of the transmission and receive clocks. For gigabit operation the clocks operate at 125 MHz; for 10/100 operation, the clock rates are 2.5 MHz/25 MHz.

In the GMAC 10/100/1000 controller, the RGMII module is instantiated between the GMAC core’s GMII and the PHY to translate the control and data signals between the GMII and RGMII protocols.

The RGMII block has the following characteristics:

- Supports 10-Mbps, 100-Mbps, and 1000-Mbps operation rates
- For the RGMII block, no extra clock is required because both the edges of the incoming clocks are used
- The RGMII block extracts the in-band (link speed, duplex mode and link status) status signals from the PHY and provides them to the GMAC core logic for link detection

### 25.3.2 Station Management Agent

The application can access the PHY registers through the Station Management Agent (SMA) module. SMA is a two-wire Station Management interface (MIM).

For MIM accesses, the maximum operating frequency of the MDC (gmii\_mdc\_o) is 2.5 MHz, as specified in the IEEE 802.3. In the GMAC core, the gmii\_mdc\_o clock is derived from the application clock or clk\_csr\_i, using a divider-counter. The divide factor depends on the clock range setting (CR field) in the MAC\_MDIO\_Address register. Select the clock divide factor as mentioned in the description of CR field of MAC\_MDIO\_Address register, to meet IEEE specifications. However, if your system supports higher clock frequencies on the MIM interface, there is a provision to select a different divider.

The MDIO frame structure is as follows:

Table 25-1 MDIO Clause 45 Frame Structure

Field	Description
IDLE	The mdio line is in tri-state; there is no clock on gmii_mdc_o signal.
PREAMBLE	32 continuous bits of value 1
START	Start of packet is 2'b00
OPCODE	<ul style="list-style-type: none"> <li>■ 2'b00</li> <li>■ 2'b01</li> <li>■ 2'b10</li> </ul>

Field	Description
	<ul style="list-style-type: none"> <li>2'b11</li> </ul>
PHY ADDR	5-bit address select for one of 32 PHYs
DEV ADDR	5-bit address select for one of 32 devices
TA	Turnaround <ul style="list-style-type: none"> <li>2'bZ0: Read and post-read increment address</li> <li>2'b10: Write and address MDIO accesses</li> </ul> Where Z is the tri-state level
DATA/ADDRESS	16-bit value: For an address cycle (OPCODE = 2'b00), this frame contains the address of the register to be accessed on the next cycle. For the data cycle of a write frame, this field contains the data to be written to the register. For read or post-read increment address frames, this field contains the contents of the register read from the PHY. <ul style="list-style-type: none"> <li>In address and data write cycles, the GMAC drives the MDIO line during the transfer of these 16 bits.</li> <li>In read and post-read increment address cycles, the PHY drives the MDIO line during the transfer of these 16 bits.</li> </ul>

The frame structure for Clause 22 frames is also supported. The C45E bit in the MAC\_MDIO\_Address register can be programmed to enable Clause 22 or Clause 45 mode of operation. Table.1-2 shows the Clause 22 frame format.

Table 25-2 MDIO Clause 22 Frame Structure

Field	Description
IDLE	The mdio line is in tri-state; there is no clock on gmii_mdc_o signal.
PREAMBLE	32 continuous bits of value 1
START	Start of packet is 2'b01
OPCODE	<ul style="list-style-type: none"> <li>2'b01 : Write</li> <li>2'b10 : Read</li> </ul>
PHY ADDR	5-bit address select for one of 32 PHYs
DEV ADDR	5-bit address to select the register within each MMD
TA	Turnaround <ul style="list-style-type: none"> <li>2'bZ0: Read and post-read increment address</li> <li>2'b10: Write and address MDIO accesses</li> </ul> Where Z is the tri-state level
DATA/ADDRESS	Any 16-bit value: <ul style="list-style-type: none"> <li>In a write operation, the GMAC drives MDIO</li> <li>In read operation, the PHY drives MDIO</li> </ul>

In addition to normal read and write operations, the SMA also supports post-read increment address while operating in Clause 45 mode.

### 25.3.3 Power Management and Energy Efficient Ethernet

The GMAC supports the following techniques to save power.

- Magic Packet
- Remote Wakeup
- Energy Efficient Ethernet

The Magic Packet and Remove Wakeup techniques are used to save power in the host

system when it is idle (Sleep mode) and has to be woken up only at the reception of specific packets from the Ethernet network. In the Sleep mode, the power to the host logic along with majority of the GMAC (except the MAC receiver logic), can be shut down. On receiving the specific packets from the network, the MAC provides the trigger to restore the power to the host system and come back to normal state.

The Energy Efficient Ethernet (EEE) mode is compliant with the IEEE 802.3az-2010 standard. It is primarily targeted to save power in the Ethernet port when there is no traffic on the line. In this mode, the host indicates to the far-end that it does not have any packets to transmit for near future and puts the transmitter port (MAC Controller, PCS and PHY layers) into low-power mode. Similarly, the Receiver port can also be put into low-power mode when the far-end host indicates that it does not have any traffic to transfer. This allows significant saving of power in the Ethernet port (mainly in the PHY) with intermittent and bursty traffic profile. The triggering of entry and exit out of the EEE mode is controlled by the MAC and is supported within the GMAC.

Simultaneous operation of the EEE mode along with any or both the other power saving modes is also supported in GMAC.

#### **25.3.4 IEEE 1588 Timestamp Support**

The IEEE 1588 defines a Precision Time Protocol (PTP) which enables precise synchronization of time in measurement and control systems. This protocol enables heterogeneous systems that include clocks of varying inherent precision, resolution, and stability to synchronize. The protocol supports system-wide synchronization accuracy in the sub-microsecond range with minimal network and local clock computing resources.

The GMAC supports the IEEE 1588-2002 (version 1) and IEEE 1588-2008 (version 2). The IEEE 1588-2002 supports PTP transported over UDP/IP and IEEE 1588-2008 supports PTP transported over Ethernet. The GMAC provides programmable support for both standards. The controller supports the following features:

- Provides an option to take snapshot of all packets or only PTP type packets
- Provides an option to take snapshot of only event messages
- Provides an option to take the snapshot based on the clock type: ordinary, boundary, end-to-end transparent, and peer-to-peer transparent
- Provides an option to select the node to be a master or slave for ordinary and boundary clock
- Identifies the PTP message type, version, and PTP payload in packets sent directly over Ethernet and sends the status
- Provides an option to measure sub-second time in digital or binary format

#### **25.3.5 TCP/IP Segmentation Offload (TSO) Engine**

The TCP Segmentation Offload (TSO) engine is useful in offloading the TCP segmentation functions to the hardware.

It also supports UDP Segmentation Offload (USO) in which the UDP payload is segmented in the hardware. There are no sequencing/ordering controls available or updated in the segments, so it can be used in point to point applications in which out of order packets are not expected by the receiver. The description and flow of TSO mentioned in this section is same as USO, any deviation is provided as notes.

In the TCP segmentation offload (TSO) feature, the DMA splits a large TCP packet into multiple small packets and passes these packets to the MTL Tx Queue.

#### **25.3.6 MAC Management Counters**

The GMAC supports storing the statistics about the received and transmitted packets in registers that are accessible through the application.

The counters in the MAC Management Counters (MMC) module can be viewed as an extension of the register address space of the CSR module. The MMC module maintains a set of registers for gathering statistics on the received and transmitted packets. The register set includes a control register for controlling the behavior of the registers, two status registers containing interrupts generated (receive and transmit), and Interrupt Enable registers (receive and transmit). These registers are accessible from the Application through

the MAC Control Interface (MCI). Each register is 32-bits wide. The write data is qualified with the corresponding `mci_be_i` signals. Therefore, non-32-bit accesses are allowed as long as the address is word-aligned. The MMCs are accessed using transactions, in the same way the CSR address space is accessed.

The MMC counters are free running. There is no separate enable for the counters to start. If a particular MMC counter is present in the RTL, it starts counting when corresponding packet is received or transmitted. The Receive MMC counters are updated for packets that are passed by the Address Filter (AFM) block. The statistics of packets, dropped by the AFM module, are not updated unless they are runt packets of less than 6 bytes (DA bytes are not received fully). To get statistics of all packets, set Bit 0 in the “MAC\_Packet\_Filter” register. The MMC module gathers statistics on encapsulated IPv4, IPv6, TCP, UDP, or ICMP payloads in received Ethernet packets.

## 25.4 Register Description

### 25.4.1 Registers Summary

Name	Offset	Size	Reset Value	Description
<u>GMAC MAC Configuration</u>	0x0000	W	0x00000000	The MAC Configuration Register establishes the operating mode of the MAC
<u>GMAC MAC Ext Configuration</u>	0x0004	W	0x00000000	The MAC Extended Configuration Register establishes the operating mode of the MAC
<u>GMAC MAC Packet Filter</u>	0x0008	W	0x00000000	The MAC Packet Filter register contains the filter controls for receiving packets
<u>GMAC MAC Watchdog Timeout</u>	0x000c	W	0x00000000	The Watchdog Timeout register controls the watchdog timeout for received packets
<u>GMAC MAC Hash Table Reg0</u>	0x0010	W	0x00000000	The Hash Table Register 0 contains the first 32 bits of the hash table
<u>GMAC MAC Hash Table Reg1</u>	0x0014	W	0x00000000	The Hash Table Register 1 contains the second 32 bits of the hash table
<u>GMAC MAC Hash Table Reg2</u>	0x0018	W	0x00000000	The Hash Table Register 2 contains the third 32 bits of the hash table
<u>GMAC MAC VLAN Tag Ctrl</u>	0x0050	W	0x00000000	This register is the redefined format of the MAC VLAN Tag Register. It is used for indirect addressing. It contains the address offset, command type and Busy Bit for CSR access of the Per VLAN Tag registers

Name	Offset	Size	Reset Value	Description
<u>GMAC MAC VLAN Tag Data</u>	0x0054	W	0x00000000	This register holds the read/write data for Indirect Access of the Per VLAN Tag registers. During the read access, this field contains valid read data only after the OB bit is reset. During the write access, this field should be valid prior to setting the OB bit in the MAC_VLAN_Tag_Ctrl Register
<u>GMAC MAC VLAN Hash Table</u>	0x0058	W	0x00000000	When VTHM bit of the MAC_VLAN_Tag register is set, the 16-bit VLAN Hash Table register is used for group address filtering based on the VLAN tag
<u>GMAC MAC VLAN Incl</u>	0x0060	W	0x00000000	The VLAN Tag Inclusion or Replacement register contains the VLAN tag for insertion or replacement in the Transmit packets. It also contains the VLAN tag insertion controls
<u>GMAC MAC Inner VLAN Incl</u>	0x0064	W	0x00000000	The Inner VLAN Tag Inclusion or Replacement register contains the inner VLAN tag to be inserted or replaced in the Transmit packet. It also contains the inner VLAN tag insertion controls
<u>GMAC MAC Q0 Tx Flow Ctrl</u>	0x0070	W	0x00000000	The Flow Control register controls the generation and reception of the Control (Pause Command) packets by the Flow control module of the MAC
<u>GMAC MAC Rx Flow Ctrl</u>	0x0090	W	0x00000000	The Receive Flow Control register controls the pausing of MAC Transmit based on the received Pause packet
<u>GMAC MAC RxQ Ctrl4</u>	0x0094	W	0x00000000	The Receive Queue Control 4 register controls the routing of unicast and multicast packets that fail the Destination or Source address filter to the Rx queues
<u>GMAC MAC RxQ Ctrl0</u>	0x00a0	W	0x00000000	The Receive Queue Control 0 register controls the queue management in the MAC Receiver
<u>GMAC MAC RxQ Ctrl1</u>	0x00a4	W	0x00000000	The Receive Queue Control 1 register controls the routing of multicast, broadcast, AV, DCB, and untagged packets to the Rx queues

<b>Name</b>	<b>Offset</b>	<b>Size</b>	<b>Reset Value</b>	<b>Description</b>
<u>GMAC MAC RxQ Ctrl2</u>	0x00a8	W	0x00000000	This register controls the routing of tagged packets based on the USP (user Priority) field of the received packets to the RxQueues 0 to 3
<u>GMAC MAC Interrupt Status</u>	0x00b0	W	0x00000000	The Interrupt Status register contains the status of interrupts
<u>GMAC MAC Interrupt Enable</u>	0x00b4	W	0x00000000	The Interrupt Enable register contains the masks for generating the interrupts
<u>GMAC MAC Rx Tx Status</u>	0x00b8	W	0x00000000	The Receive Transmit Status register contains the Receive and Transmit Error status
<u>GMAC MAC PMT Control Status</u>	0x00c0	W	0x00000000	The PMT Control and Status Register
<u>GMAC MAC RWK Packet Filter</u>	0x00c4	W	0x00000000	The Remote Wakeup Filter registers are implemented as 8, 16, or 32 indirect access registers (wkuppktfilter_reg#i) based on whether 4, 8, or 16 Remote Wakeup Filters are selected in the configuration and accessed by application through MAC_RWK_Packet_Filter register
<u>GMAC RWK Filter0 Byte Mask</u>	0x00c4	W	0x00000000	RWK Filter0 Byte Mask
<u>GMAC RWK Filter1 Byte Mask</u>	0x00c4	W	0x00000000	RWK Filter1 Byte Mask
<u>GMAC RWK Filter2 Byte Mask</u>	0x00c4	W	0x00000000	RWK Filter2 Byte Mask
<u>GMAC RWK Filter3 Byte Mask</u>	0x00c4	W	0x00000000	RWK Filter3 Byte Mask
<u>GMAC RWK Filter01 CRC</u>	0x00c4	W	0x00000000	RWK Filter 0/1 CRC-16
<u>GMAC RWK Filter23 CRC</u>	0x00c4	W	0x00000000	RWK Filter 2/3 CRC-16
<u>GMAC RWK Filter Offset</u>	0x00c4	W	0x00000000	RWK Filter Offset
<u>GMAC RWK Filter Command</u>	0x00c4	W	0x00000000	RWK Filter Command
<u>GMAC MAC LPI Control Status</u>	0x00d0	W	0x00000000	The LPI Control and Status Register controls the LPI functions and provides the LPI interrupt status. The status bits are cleared when this register is read
<u>GMAC MAC LPI Timers Control</u>	0x00d4	W	0x03e80000	The LPI Timers Control register controls the timeout values in the LPI states.
<u>GMAC MAC LPI Entry Timer</u>	0x00d8	W	0x00000000	This register controls the Tx LPI entry timer
<u>GMAC MAC 1US Tic Counter</u>	0x00dc	W	0x0000003f	This register controls the generation of the Reference time (1 microsecond tic)

<b>Name</b>	<b>Offset</b>	<b>Size</b>	<b>Reset Value</b>	<b>Description</b>
<u>GMAC MAC PHYIF Control Status</u>	0x00f8	W	0x00000000	PHY Interface Control and Status Register
<u>GMAC MAC Version</u>	0x0110	W	0x00003051	The version register identifies the version of the GMAC
<u>GMAC MAC Debug</u>	0x0114	W	0x00000000	The Debug register provides the debug status of various MAC blocks
<u>GMAC MAC HW Feature0</u>	0x011c	W	0x181173f3	This register indicates the presence of first set of the optional features or functions
<u>GMAC MAC HW Feature1</u>	0x0120	W	0x111e01e8	This register indicates the presence of second set of the optional features or functions
<u>GMAC MAC HW Feature2</u>	0x0124	W	0x11041041	This register indicates the presence of third set of the optional features or functions
<u>GMAC MAC HW Feature3</u>	0x0128	W	0x0c370031	This register indicates the presence of fourth set the optional features or functions
<u>GMAC MAC MDIO Address</u>	0x0200	W	0x00000000	The MDIO Address register controls the management cycles to external PHY through a management interface
<u>GMAC MAC MDIO Data</u>	0x0204	W	0x00000000	The MDIO Data register stores the Write data to be written to the PHY register located at the address specified in <u>MAC_MDIO_Address</u>
<u>GMAC MAC ARP Address</u>	0x0210	W	0x00000000	The ARP Address register contains the IPv4 Destination Address of the MAC
<u>GMAC MAC CSR SW Ctrl</u>	0x0230	W	0x00000000	This register contains SW programmable controls for changing the CSR access response and status bits clearing
<u>GMAC MAC FPE CTRL STS</u>	0x0234	W	0x00000000	This register controls the operation of Frame Preemption
<u>GMAC MAC Ext Cfg1</u>	0x0238	W	0x00000000	This register contains Split mode control field and offset field for Split Header feature
<u>GMAC MAC Presn Time ns</u>	0x0240	W	0x00000000	This register contains the 32-bit binary rollover equivalent time of the PTP System Time in ns



<b>Name</b>	<b>Offset</b>	<b>Size</b>	<b>Reset Value</b>	<b>Description</b>
<u>GMAC MAC Presn Time Updt</u>	0x0244	W	0x00000000	This field holds the 32-bit value of MAC 1722 Presentation Time in ns, that should be added to the Current Presentation Time Counter value. Init happens when TSINIT is set, and update happens when the TSUPDT bit is set (TSINIT and TSINIT defined in MAC_Timestamp_Control register)
<u>GMAC MAC Address0 High</u>	0x0300	W	0x0000ffff	The MAC Address0 High register holds the upper 16 bits of the first 6-byte MAC address of the station
<u>GMAC MAC Address0 Low</u>	0x0304	W	0xffffffff	The MAC Address0 Low register holds the lower 32 bits of the 6-byte first MAC address of the station
<u>GMAC MMC Control</u>	0x0700	W	0x00000000	This register establishes the operating mode of MMC
<u>GMAC MMC Rx Interrupt</u>	0x0704	W	0x00000000	Maintains the interrupts generated from all Receive statistics counters
<u>GMAC MMC Tx Interrupt</u>	0x0708	W	0x00000000	Maintains the interrupts generated from all Transmit statistics counters
<u>GMAC MMC Rx Interrupt Mask</u>	0x070c	W	0x00000000	This register maintains the masks for interrupts generated from all Receive statistics counters
<u>GMAC MMC Tx Interrupt Mask</u>	0x0710	W	0x00000000	This register maintains the masks for interrupts generated from all Transmit statistics counters
<u>GMAC Tx Octet Count Good Bad</u>	0x0714	W	0x00000000	This register provides the number of bytes transmitted by the GMAC, exclusive of preamble and retried bytes, in good and bad packets
<u>GMAC Tx Packet Count Good Bad</u>	0x0718	W	0x00000000	This register provides the number of good and bad packets, exclusive of retried packets
<u>GMAC Tx Underflow Error Packets</u>	0x0748	W	0x00000000	This register provides the number of packets aborted because of packets underflow error
<u>GMAC Tx Carrier Error Packets</u>	0x0760	W	0x00000000	This register provides the number of packets aborted because of carrier sense error (no carrier or loss of carrier)

<b>Name</b>	<b>Offset</b>	<b>Size</b>	<b>Reset Value</b>	<b>Description</b>
<u>GMAC Tx Octet Count Good</u>	0x0764	W	0x00000000	This register provides the number of bytes exclusive of preamble, only in good packets
<u>GMAC Tx Packet Count Good</u>	0x0768	W	0x00000000	This register provides the number of good packets transmitted by GMAC
<u>GMAC Tx Pause Packets</u>	0x0770	W	0x00000000	This register provides the number of good Pause packets transmitted by GMAC
<u>GMAC Rx Packets Count Good Bad</u>	0x0780	W	0x00000000	This register provides the number of good and bad packets received by GMAC
<u>GMAC Rx Octet Count Good Bad</u>	0x0784	W	0x00000000	This register provides the number of bytes received by GMAC, exclusive of preamble, in good and bad packets
<u>GMAC Rx Octet Count Good</u>	0x0788	W	0x00000000	This register provides the number of bytes received by GMAC, exclusive of preamble, only in good packets
<u>GMAC Rx Multicast Packets Good</u>	0x0790	W	0x00000000	This register provides the number of good multicast packets received by GMAC
<u>GMAC Rx CRC Error Packets</u>	0x0794	W	0x00000000	This register provides the number of packets received by GMAC with CRC error
<u>GMAC Rx Oversize Packets Good</u>	0x07a8	W	0x00000000	This register provides the number of packets received by GMAC without errors, with length greater than the maxsize (1,518 bytes or 1,522 bytes for VLAN tagged packets; 2000 bytes if enabled in the S2KP bit of the MAC_Configuration register)
<u>GMAC Rx Length Error Packets</u>	0x07c8	W	0x00000000	This register provides the number of packets received by GMAC with length error (Length Type field not equal to packet size), for all packets with valid length field
<u>GMAC Rx Pause Packets</u>	0x07d0	W	0x00000000	This register provides the number of good and valid Pause packets received by GMAC
<u>GMAC Rx FIFO Overflow Packets</u>	0x07d4	W	0x00000000	This register provides the number of missed received packets because of FIFO overflow

Name	Offset	Size	Reset Value	Description
<u>GMAC Rx Watchdog Error Packets</u>	0x07dc	W	0x00000000	This register provides the number of packets received by GMAC with error because of watchdog timeout error (packets with a data load larger than 2,048 bytes (when JE and WD bits are reset in MAC_Configuration register), 10,240 bytes (when JE bit is set and WD bit is reset in MAC_Configuration register), 16,384 bytes (when WD bit is set in MAC_Configuration register) or the value programmed in the MAC_Watchdog_Timeout register)
<u>GMAC MMC IPC Rx Interrupt Mask</u>	0x0800	W	0x00000000	This register maintains the mask for the interrupt generated from the receive IPC statistic counters
<u>GMAC MMC IPC Rx Interrupt</u>	0x0808	W	0x00000000	This register maintains the interrupt that the receive IPC statistic counters generate
<u>GMAC RxIPv4 Good Packets</u>	0x0810	W	0x00000000	This register provides the number of good IPv4 datagrams received by GMAC with the TCP, UDP, or ICMP payload
<u>GMAC RxIPv4 Header Error Packets</u>	0x0814	W	0x00000000	This register provides the number of IPv4 datagrams received by GMAC with header (checksum, length, or version mismatch) errors
<u>GMAC RxIPv6 Good Packets</u>	0x0824	W	0x00000000	This register provides the number of good IPv6 datagrams received by GMAC
<u>GMAC RxIPv6 Header Error Packets</u>	0x0828	W	0x00000000	This register provides the number of IPv6 datagrams received by GMAC with header (length or version mismatch) errors
<u>GMAC RxUDP Error Packets</u>	0x0834	W	0x00000000	This register provides the number of good IP datagrams received by GMAC whose UDP payload has a checksum error
<u>GMAC RxTCP Error Packets</u>	0x083c	W	0x00000000	This register provides the number of good IP datagrams received by GMAC whose TCP payload has a checksum error
<u>GMAC RxICMP Error Packets</u>	0x0844	W	0x00000000	This register provides the number of good IP datagrams received by GMAC whose ICMP payload has a checksum error

<b>Name</b>	<b>Offset</b>	<b>Size</b>	<b>Reset Value</b>	<b>Description</b>
<u>GMAC RxIPv4 Header Error Octets</u>	0x0854	W	0x00000000	This register provides the number of bytes received by GMAC in IPv4 datagrams with header errors (checksum, length, version mismatch)
<u>GMAC RxIPv6 Header Error Octets</u>	0x0868	W	0x00000000	This register provides the number of bytes received by GMAC in IPv6 datagrams with header errors (length, version mismatch)
<u>GMAC RxUDP Error Octets</u>	0x0874	W	0x00000000	This register provides the number of bytes received by GMAC in a UDP segment that had checksum errors
<u>GMAC RxTCP Error Octets</u>	0x087c	W	0x00000000	This register provides the number of bytes received by GMAC in a TCP segment that had checksum errors
<u>GMAC RxICMP Error Octets</u>	0x0884	W	0x00000000	This register provides the number of bytes received by GMAC in a good ICMP segment
<u>GMAC MMC FPE Tx Interrupt</u>	0x08a0	W	0x00000000	This register maintains the interrupts generated from all FPE related Transmit statistics counters
<u>GMAC MMC FPE Tx Interrupt Mask</u>	0x08a4	W	0x00000000	This register maintains the masks for interrupts generated from all FPE related Transmit statistics counters
<u>GMAC MMC Tx FPE Fragment Cntr</u>	0x08a8	W	0x00000000	This register provides the number of additional mPackets transmitted due to preemption
<u>GMAC MMC Tx Hold Req Cnt</u>	0x08ac	W	0x00000000	This register provides the count of number of times a hold request is given to MAC
<u>GMAC MMC FPE Rx Interrupt</u>	0x08c0	W	0x00000000	This register maintains the interrupts generated from all FPE related Receive statistics counters
<u>GMAC MMC FPE Rx Interrupt Mask</u>	0x08c4	W	0x00000000	This register maintains the masks for interrupts generated from all FPE related Receive statistics counters
<u>GMAC MMC Rx Packet Asm Err Cntr</u>	0x08c8	W	0x00000000	This register provides the number of MAC frames with reassembly errors on the Receiver, due to mismatch in the Fragment Count value
<u>GMAC MMC Rx Packet SMD Err Cntr</u>	0x08cc	W	0x00000000	This register provides the number of received MAC frames rejected due to unknown SMD value and MAC frame fragments rejected due to arriving with an SMD-C when there was no

Name	Offset	Size	Reset Value	Description
<u>GMAC MMC Rx Packet Assembly OK Cntr</u>	0x08d0	W	0x00000000	This register provides the number of MAC frames that were successfully reassembled and delivered to MAC
<u>GMAC MMC Rx FPE Fragment Cntr</u>	0x08d4	W	0x00000000	This register provides the number of additional mPackets transmitted due to preemption
<u>GMAC MAC L3 L4 Control0</u>	0x0900	W	0x00000000	The Layer 3 and Layer 4 Control register controls the operations of filter 0 of Layer 3 and Layer 4
<u>GMAC MAC Layer4 Address0</u>	0x0904	W	0x00000000	The MAC_Layer4_Address0, MAC_L3_L4_Control0, MAC_Layer3_Addr0_Reg0, MAC_Layer3_Addr1_Reg0, MAC_Layer3_Addr2_Reg0 and MAC_Layer3_Addr3_Reg0 registers are reserved (RO with default value) if Enable Layer 3 and Layer 4 Packet Filter option is not selected while configuring the core
<u>GMAC MAC Layer3 Addr0 Reg0</u>	0x0910	W	0x00000000	For IPv4 packets, the Layer 3 Address 0 Register 0 register contains the 32-bit IP Source Address field. For IPv6 packets, it contains Bits[31:0] of the 128-bit IP Source Address or Destination Address field
<u>GMAC MAC Layer3 Addr1 Reg0</u>	0x0914	W	0x00000000	For IPv4 packets, the Layer 3 Address 1 Register 0 register contains the 32-bit IP Destination Address field. For IPv6 packets, it contains Bits[63:32] of the 128-bit IP Source Address or Destination Address field
<u>GMAC MAC Layer3 Addr2 Reg0</u>	0x0918	W	0x00000000	The Layer 3 Address 2 Register 0 register is reserved for IPv4 packets. For IPv6 packets, it contains Bits[95:64] of 128-bit IP Source Address or Destination Address field
<u>GMAC MAC Layer3 Addr3 Reg0</u>	0x091c	W	0x00000000	The Layer 3 Address 3 Register 0 register is reserved for IPv4 packets. For IPv6 packets, it contains Bits[127:96] of 128-bit IP Source Address or Destination Address field
<u>GMAC MAC Timestamp Control</u>	0x0b00	W	0x00000000	This register controls the operation of the System Time generator and processing of PTP packets for timestamping in the Receiver

Name	Offset	Size	Reset Value	Description
<u>GMAC MAC Sub Second Increment</u>	0x0b04	W	0x00000000	Specifies the value to be added to the internal system time register every cycle of clk_ptp_ref_i clock
<u>GMAC MAC System Time Seconds</u>	0x0b08	W	0x00000000	The System Time Nanoseconds register, along with System Time Seconds register, indicates the current value of the system time maintained by the MAC
<u>GMAC MAC System Time NS</u>	0x0b0c	W	0x00000000	The System Time Nanoseconds register, along with System Time Seconds register, indicates the current value of the system time maintained by the MAC
<u>GMAC MAC Sys Time Secs Update</u>	0x0b10	W	0x00000000	The System Time Seconds Update register, along with the System Time Nanoseconds Update register, initializes or updates the system time maintained by the MAC
<u>GMAC MAC Sys Time NS Update</u>	0x0b14	W	0x00000000	MAC System Time Nanoseconds Update register
<u>GMAC MAC Timestamp Addend</u>	0x0b18	W	0x00000000	Timestamp Addend register. This register value is used only when the system time is configured for Fine Update mode (TSCFUPDT bit in the MAC_Timestamp_Control register)
<u>GMAC MAC Timestamp Status</u>	0x0b20	W	0x00000000	Timestamp Status register. All bits except Bits[27:25] gets cleared when the application reads this register
<u>GMAC MAC Tx TS Status NS</u>	0x0b30	W	0x00000000	This register contains the nanosecond part of timestamp captured for Transmit packets when Tx status is disabled
<u>GMAC MAC Tx TS Status Seconds</u>	0x0b34	W	0x00000000	The register contains the higher 32 bits of the timestamp (in seconds) captured when a PTP packet is transmitted
<u>GMAC MAC Auxiliary Control</u>	0x0b40	W	0x00000000	The Auxiliary Timestamp Control register controls the Auxiliary Timestamp snapshot
<u>GMAC MAC Auxiliary TS NS</u>	0x0b48	W	0x00000000	The Auxiliary Timestamp Nanoseconds register, along with MAC_Auxiliary_Timestamp_Seconds, gives the 64-bit timestamp stored as auxiliary snapshot

<b>Name</b>	<b>Offset</b>	<b>Size</b>	<b>Reset Value</b>	<b>Description</b>
<u>GMAC MAC Auxiliary TS Secs</u>	0x0b4c	W	0x00000000	The Auxiliary Timestamp - Seconds register contains the lower 32 bits of the Seconds field of the auxiliary timestamp register
<u>GMAC MAC TS Ingress Corr NS</u>	0x0b58	W	0x00000000	This register contains the correction value in nanoseconds to be used with the captured timestamp value in the ingress path
<u>GMAC MAC TS Egress Corr NS</u>	0x0b5c	W	0x00000000	This register contains the correction value in nanoseconds to be used with the captured timestamp value in the egress path
<u>GMAC MAC TS Ingress Latency</u>	0x0b68	W	0x00000000	This register holds the Ingress MAC latency
<u>GMAC MAC TS Egress Latency</u>	0x0b6c	W	0x00000000	This register holds the Egress MAC latency
<u>GMAC MAC PPS Control</u>	0x0b70	W	0x00000000	PPS Control register
<u>GMAC MAC PPS0 Target Time Seconds</u>	0x0b80	W	0x00000000	The PPS Target Time Seconds register, along with PPS Target Time Nanoseconds register, is used to schedule an interrupt event [Bit 1 of MAC_Timestamp_Status] when the system time exceeds the value programmed in these registers
<u>GMAC MAC PPS0 Target Time Ns</u>	0x0b84	W	0x00000000	PPS0 Target Time Nanoseconds register
<u>GMAC MAC PPS0 Interval</u>	0x0b88	W	0x00000000	The PPS0 Interval register contains the number of units of sub-second increment value between the rising edges of PPS0 signal output (ptp_pps_o[0])
<u>GMAC MAC PPS0 Width</u>	0x0b8c	W	0x00000000	The PPS0 Width register contains the number of units of sub-second increment value
<u>GMAC MTL Operation Mode</u>	0x0c00	W	0x00000000	The Operation Mode register establishes the Transmit and Receive operating modes and commands
<u>GMAC MTL DBG CTL</u>	0x0c08	W	0x00000000	The FIFO Debug Access Control and Status register controls the operation mode of FIFO debug access
<u>GMAC MTL DBG STS</u>	0x0c0c	W	0x01900000	The FIFO Debug Status register contains the status of FIFO debug access
<u>GMAC MTL FIFO Debug Data</u>	0x0c10	W	0x00000000	The FIFO Debug Data register contains the data to be written to or read from the FIFOs

<b>Name</b>	<b>Offset</b>	<b>Size</b>	<b>Reset Value</b>	<b>Description</b>
<u>GMAC MTL Interrupt Status</u>	0x0c20	W	0x00000000	The software driver (application) reads this register during interrupt service routine or polling to determine the interrupt status of MTL queues and the MAC
<u>GMAC MTL RxQ DMA Map0</u>	0x0c30	W	0x00000000	The Receive Queue and DMA Channel Mapping 0 register is reserved in EQOS-CORE and EQOS-MTL configurations
<u>GMAC MTL TBS CTRL</u>	0x0c40	W	0x00000000	This register controls the operation of Time Based Scheduling
<u>GMAC MTL EST Control</u>	0x0c50	W	0x00000000	This register controls the operation of Enhancements to Scheduled Transmission (IEEE802.1Qbv)
<u>GMAC MTL EST Status</u>	0x0c58	W	0x00000000	This register provides Status related to Enhancements to Scheduled Transmission
<u>GMAC MTL EST Sch Error</u>	0x0c60	W	0x00000000	This register provides the One Hot encoded Queue Numbers that are having the Scheduling related error (timeout)
<u>GMAC MTL EST Frm Size Error</u>	0x0c64	W	0x00000000	This register provides the One Hot encoded Queue Numbers that are having the Frame
<u>GMAC MTL EST Frm Size Capture</u>	0x0c68	W	0x00000000	This register captures the Frame Size and Queue Number of the first occurrence of the Frame Size related error. Upon clearing it captures the data of immediate next occurrence of a similar error
<u>GMAC MTL EST Intr Enable</u>	0x0c70	W	0x00000000	This register implements the Interrupt Enable bits for the various events that generate an interrupt. Bit positions have a 1 to 1 correlation with the status bit positions in MTL_ETS_Status
<u>GMAC MTL EST GCL Control</u>	0x0c80	W	0x00000000	This register provides the control information for reading/writing to the Gate Control lists
<u>GMAC MTL EST GCL Data</u>	0x0c84	W	0x00000000	This register holds the read data or write data in case of reads and writes respectively
<u>GMAC MTL FPE CTRL STS</u>	0x0c90	W	0x00000000	This register controls the operation of, and provides status for Frame Preemption (IEEE802.1Qbu/802.3br)
<u>GMAC MTL FPE Advance</u>	0x0c94	W	0x00000000	This register holds the Hold and Release Advance time



<b>Name</b>	<b>Offset</b>	<b>Size</b>	<b>Reset Value</b>	<b>Description</b>
<u>GMAC MTL TxQ0 Operation Mode</u>	0x0d00	W	0x00060000	The Queue 0 Transmit Operation Mode register establishes the Transmit queue operating modes and commands
<u>GMAC MTL TxQ0 Underflow</u>	0x0d04	W	0x00000000	The Queue 0 Underflow Counter register contains the counter for packets aborted because of Transmit queue underflow and packets missed because of Receive queue packet flush
<u>GMAC MTL TxQ0 Debug</u>	0x0d08	W	0x00000000	The Queue 0 Transmit Debug register gives the debug status of various blocks related to the Transmit queue
<u>GMAC MTL TxQ0 ETS Status</u>	0x0d14	W	0x00000000	The Queue 0 ETS Status register provides the average traffic transmitted in Queue 0
<u>GMAC MTL TxQ0 Quantum Weight</u>	0x0d18	W	0x00000000	The Queue 0 Quantum or Weights register contains the quantum value for Deficit Weighted Round Robin (DWRR), weights for the Weighted Round Robin (WRR), and Weighted Fair Queuing (WFQ) for Queue 0
<u>GMAC MTL Q0 Interrupt Ctrl Status</u>	0x0d2c	W	0x00000000	This register contains the interrupt enable and status bits for the queue 0 interrupts
<u>GMAC MTL RxQ0 Operation Mode</u>	0x0d30	W	0x00000000	The Queue 0 Receive Operation Mode register establishes the Receive queue operating modes and command
<u>GMAC MTL RxQ0 Miss Pkt Overflow Cnt</u>	0x0d34	W	0x00000000	The Queue 0 Missed Packet and Overflow Counter register contains the counter for packets missed because of Receive queue packet flush and packets discarded because of Receive queue overflow
<u>GMAC MTL RxQ0 Debug</u>	0x0d38	W	0x00000000	The Queue 0 Receive Debug register gives the debug status of various blocks related to the Receive queue
<u>GMAC MTL RxQ0 Control</u>	0x0d3c	W	0x00000000	The Queue Receive Control register controls the receive arbitration and passing of received packets to the application
<u>GMAC DMA Mode</u>	0x1000	W	0x00000000	The Bus Mode register establishes the bus operating modes for the DMA

<b>Name</b>	<b>Offset</b>	<b>Size</b>	<b>Reset Value</b>	<b>Description</b>
<u>GMAC DMA SysBus Mode</u>	0x1004	W	0x00010000	The System Bus mode register controls the behavior of the AHB or AXI master
<u>GMAC DMA Interrupt Status</u>	0x1008	W	0x00000000	The application reads this Interrupt Status register during interrupt service routine or polling to determine the interrupt status of DMA channels, MTL queues, and the MAC
<u>GMAC DMA Debug Status0</u>	0x100c	W	0x00000000	The Debug Status 0 register gives the Receive and Transmit process status for DMA Channel 0-Channel 2 for debugging purpose
<u>GMAC AXI LPI Entry Interval</u>	0x1040	W	0x00000000	This register is used to control the AXI LPI entry interval
<u>GMAC DMA TBS CTRL</u>	0x1050	W	0x00000000	This register is used to control the TBS attributes
<u>GMAC DMA CH0 Control</u>	0x1100	W	0x00000000	The register specifies the MSS value for segmentation, length to skip between two descriptors, and 8xPBL mode
<u>GMAC DMA CH0 Tx Control</u>	0x1104	W	0x00000000	The register controls the Tx features such as PBL, TCP segmentation, and Tx Channel weights
<u>GMAC DMA CH0 Rx Control</u>	0x1108	W	0x00000000	The DMA Channel0 Receive Control register controls the Rx features such as PBL, buffer size, and extended status
<u>GMAC DMA CH0 TxDesc List Address</u>	0x1114	W	0x00000000	The Channel0 Tx Descriptor List Address register points the DMA to the start of Transmit
<u>GMAC DMA CH0 RxDesc List Address</u>	0x111c	W	0x00000000	The Channel0 Rx Descriptor List Address register points the DMA to the start of Receive descriptor list
<u>GMAC DMA CH0 TxDesc Tail Pointer</u>	0x1120	W	0x00000000	The Channel0 Tx Descriptor Tail Pointer register points to an offset from the base and indicates the location of the last valid descriptor
<u>GMAC DMA CH0 RxDesc Tail Pointer</u>	0x1128	W	0x00000000	The Channel0 Rx Descriptor Tail Pointer Points to an offset from the base and indicates the location of the last valid descriptor
<u>GMAC DMA CH0 TxDesc Ring Length</u>	0x112c	W	0x00000000	The Tx Descriptor Ring Length register contains the length of the Transmit descriptor ring

<b>Name</b>	<b>Offset</b>	<b>Size</b>	<b>Reset Value</b>	<b>Description</b>
<u>GMAC DMA CH0 RxDesc Ring Length</u>	0x1130	W	0x00000000	The Channel0 Rx Descriptor Ring Length register contains the length of the Receive descriptor circular ring
<u>GMAC DMA CH0 Interrupt Enable</u>	0x1134	W	0x00000000	The Channel0 Interrupt Enable register enables the interrupts reported by the Status register
<u>GMAC DMA CH0 Rx Interrupt WD Timer</u>	0x1138	W	0x00000000	The Receive Interrupt Watchdog Timer register indicates the watchdog timeout for Receive Interrupt (RI) from the DMA
<u>GMAC DMA CH0 Slot Func Ctrl Status</u>	0x113c	W	0x000007c0	The Slot Function Control and Status register contains the control bits for slot function and the status for Transmit path
<u>GMAC DMA CH0 Current App TxDesc</u>	0x1144	W	0x00000000	The Channel0 Current Application Transmit Descriptor register points to the current Transmit descriptor read by the DMA
<u>GMAC DMA CH0 Current App RxDesc</u>	0x114c	W	0x00000000	The Channel0 Current Application Receive Descriptor register points to the current Receive descriptor read by the DMA
<u>GMAC DMA CH0 Current App TxBuffer</u>	0x1154	W	0x00000000	The Channel0 Current Application Transmit Buffer Address register points to the current Tx buffer address read by the DMA
<u>GMAC DMA CH0 Current App RxBuffer</u>	0x115c	W	0x00000000	The Channel0 Current Application Receive Buffer Address register points to the current Rx buffer address read by the DMA
<u>GMAC DMA CH0 Status</u>	0x1160	W	0x00000000	The software driver (application) reads the Status register during interrupt service routine or polling to determine the status of the DMA
<u>GMAC DMA CH0 Miss Frame Cnt</u>	0x1164	W	0x00000000	This register has the number of packet counter that got dropped by the DMA either due to Bus Error or due to programming RPF field in DMA_CH0_Rx_Control register
<u>GMAC DMA CH0 RX ERI Cnt</u>	0x1168	W	0x00000000	The DMA_CH0_RX_ERI_Cnt registers provides the count of the number of times ERI was asserted

<b>Name</b>	<b>Offset</b>	<b>Size</b>	<b>Reset Value</b>	<b>Description</b>
<u>GMAC MAC Address1 High</u>	0x0308	W	0x0000ffff	The MAC Address1 High register holds the upper 16 bits of the first 6-byte MAC address of the station
<u>GMAC MAC Address1 Low</u>	0x030c	W	0xffffffff	The MAC Address0 Low register holds the lower 32 bits of the 6-byte first MAC address of the station
<u>GMAC MAC Address2 High</u>	0x0310	W	0x0000ffff	The MAC Address2 High register holds the upper 16 bits of the first 6-byte MAC address of the station
<u>GMAC MAC Address2 Low</u>	0x0314	W	0xffffffff	The MAC Address0 Low register holds the lower 32 bits of the 6-byte first MAC address of the station
<u>GMAC MAC Address3 High</u>	0x0318	W	0x0000ffff	The MAC Address3 High register holds the upper 16 bits of the first 6-byte MAC address of the station
<u>GMAC MAC Address3 Low</u>	0x031c	W	0xffffffff	The MAC Address0 Low register holds the lower 32 bits of the 6-byte first MAC address of the station
<u>GMAC MAC L3 L4 Control1</u>	0x0930	W	0x00000000	The Layer 3 and Layer 4 Control register controls the operations of filter 0 of Layer 3 and Layer 4
<u>GMAC MAC Layer4 Address1</u>	0x0934	W	0x00000000	The MAC_Layer4_Address1, MAC_L3_L4_Control1, MAC_Layer3_Addr0_Reg1, MAC_Layer3_Addr1_Reg1, MAC_Layer3_Addr2_Reg1 and MAC_Layer3_Addr3_Reg1 registers are reserved (RO with default value) if Enable Layer 3 and Layer 4 Packet Filter option is not selected while configuring the core
<u>GMAC MAC Layer3 Addr0 Reg1</u>	0x0940	W	0x00000000	For IPv4 packets, the Layer 3 Address 0 Register 1 register contains the 32-bit IP Source Address field. For IPv6 packets, it contains Bits[31:0] of the 128-bit IP Source Address or Destination Address field
<u>GMAC MAC Layer3 Addr1 Reg1</u>	0x0944	W	0x00000000	For IPv4 packets, the Layer 3 Address 1 Register 1 register contains the 32-bit IP Destination Address field. For IPv6 packets, it contains Bits[63:32] of the 128-bit IP Source Address or Destination Address field

<b>Name</b>	<b>Offset</b>	<b>Size</b>	<b>Reset Value</b>	<b>Description</b>
<u>GMAC MAC Layer3 Addr2 Register 1</u>	0x0948	W	0x00000000	The Layer 3 Address 2 Register 1 register is reserved for IPv4 packets. For IPv6 packets, it contains Bits[95:64] of 128-bit IP Source Address or Destination Address field
<u>GMAC MAC Layer3 Addr3 Register 1</u>	0x094c	W	0x00000000	The Layer 3 Address 3 Register 1 register is reserved for IPv4 packets. For IPv6 packets, it contains Bits[127:96] of 128-bit IP Source Address or Destination Address field
<u>GMAC MTL TxQ1 Operation Mode</u>	0x0d40	W	0x00060000	The Queue 1 Transmit Operation Mode register establishes the Transmit queue operating modes and commands
<u>GMAC MTL TxQ1 Underflow</u>	0x0d44	W	0x00000000	The Queue 1 Underflow Counter register contains the counter for packets aborted because of Transmit queue underflow and packets missed because of Receive queue packet flush
<u>GMAC MTL TxQ1 Debug</u>	0x0d48	W	0x00000000	The Queue 1 Transmit Debug register gives the debug status of various blocks related to the Transmit queue
<u>GMAC MTL TxQ1 ETS Control</u>	0x0d50	W	0x00000000	The Queue ETS Control register controls the enhanced transmission selection operation
<u>GMAC MTL TxQ1 ETS Status</u>	0x0d54	W	0x00000000	The Queue 1 ETS Status register provides the average traffic transmitted in Queue 1
<u>GMAC MTL TxQ1 Quantum Weight</u>	0x0d58	W	0x00000000	The Queue 1 idleSlopeCredit, Quantum or Weights register provides the average traffic transmitted in Queue 1
<u>GMAC MTL TxQ1 SendSlopeCredit</u>	0x0d5c	W	0x00000000	The sendSlopeCredit register contains the sendSlope credit value required for the credit-based shaper algorithm for the Queue
<u>GMAC MTL TxQ1 HiCredit</u>	0x0d60	W	0x00000000	The hiCredit register contains the hiCredit value required for the credit-based shaper
<u>GMAC MTL TxQ1 LoCredit</u>	0x0d64	W	0x00000000	The loCredit register contains the loCredit value required for the credit-based shaper algorithm for the Queue
<u>GMAC MTL Q1 Interrupt Control Status</u>	0x0d6c	W	0x00000000	This register contains the interrupt enable and status bits for the queue 1 interrupts

<b>Name</b>	<b>Offset</b>	<b>Size</b>	<b>Reset Value</b>	<b>Description</b>
<u>GMAC MTL RxQ1 Operation Mode</u>	0x0d70	W	0x00000000	The Queue 1 Receive Operation Mode register establishes the Receive queue operating modes and command
<u>GMAC MTL RxQ1 Miss Pkt Overflow Cnt</u>	0x0d74	W	0x00000000	The Queue 1 Missed Packet and Overflow Counter register contains the counter for packets missed because of Receive queue packet flush and packets discarded because of Receive queue overflow
<u>GMAC MTL RxQ1 Debug</u>	0x0d78	W	0x00000000	The Queue 1 Receive Debug register gives the debug status of various blocks related to the Receive queue
<u>GMAC MTL RxQ1 Control</u>	0x0d7c	W	0x00000000	The Queue Receive Control register controls the receive arbitration and passing of received packets to the application
<u>GMAC DMA CH1 Control</u>	0x1180	W	0x00000000	The register specifies the MSS value for segmentation, length to skip between two descriptors, and 8xPBL mode
<u>GMAC DMA CH1 Tx Control</u>	0x1184	W	0x00000000	The register controls the Tx features such as PBL, TCP segmentation, and Tx Channel weights
<u>GMAC DMA CH1 Rx Control</u>	0x1188	W	0x00000000	The DMA Channel1 Receive Control register controls the Rx features such as PBL, buffer size, and extended status
<u>GMAC DMA CH1 TxDesc List Address</u>	0x1194	W	0x00000000	The Channel1 Tx Descriptor List Address register points the DMA to the start of Transmit
<u>GMAC DMA CH1 RxDesc List Address</u>	0x119c	W	0x00000000	The Channel1 Rx Descriptor List Address register points the DMA to the start of Receive descriptor list
<u>GMAC DMA CH1 TxDesc Tail Pointer</u>	0x11a0	W	0x00000000	The Channel1 Tx Descriptor Tail Pointer register points to an offset from the base and indicates the location of the last valid descriptor
<u>GMAC DMA CH1 RxDesc Tail Pointer</u>	0x11a8	W	0x00000000	The Channel1 Rx Descriptor Tail Pointer Points to an offset from the base and indicates the location of the last valid descriptor
<u>GMAC DMA CH1 TxDesc Ring Length</u>	0x11ac	W	0x00000000	The Tx Descriptor Ring Length register contains the length of the Transmit descriptor ring

<b>Name</b>	<b>Offset</b>	<b>Size</b>	<b>Reset Value</b>	<b>Description</b>
<u>GMAC DMA CH1 RxDesc Ring Length</u>	0x11b0	W	0x00000000	The Channel1 Rx Descriptor Ring Length register contains the length of the Receive descriptor circular ring
<u>GMAC DMA CH1 Interrupt Enable</u>	0x11b4	W	0x00000000	The Channel1 Interrupt Enable register enables the interrupts reported by the Status register
<u>GMAC DMA CH1 Rx Interrupt WD Timer</u>	0x11b8	W	0x00000000	The Receive Interrupt Watchdog Timer register indicates the watchdog timeout for Receive Interrupt (RI) from the DMA
<u>GMAC DMA CH1 Slot Func Ctrl Status</u>	0x11bc	W	0x000007c0	The Slot Function Control and Status register contains the control bits for slot function and the status for Transmit path
<u>GMAC DMA CH1 Current App TxDesc</u>	0x11c4	W	0x00000000	The Channel1 Current Application Transmit Descriptor register points to the current Transmit descriptor read by the DMA
<u>GMAC DMA CH1 Current App RxDesc</u>	0x11cc	W	0x00000000	The Channel1 Current Application Receive Descriptor register points to the current Receive descriptor read by the DMA
<u>GMAC DMA CH1 Current App TxBuffer</u>	0x11d4	W	0x00000000	The Channel1 Current Application Transmit Buffer Address register points to the current Tx buffer address read by the DMA
<u>GMAC DMA CH1 Current App RxBuffer</u>	0x11dc	W	0x00000000	The Channel1 Current Application Receive Buffer Address register points to the current Rx buffer address read by the DMA
<u>GMAC DMA CH1 Status</u>	0x11e0	W	0x00000000	The software driver (application) reads the Status register during interrupt service routine or polling to determine the status of the DMA
<u>GMAC DMA CH1 Miss Frame Cnt</u>	0x11e4	W	0x00000000	This register has the number of packet counter that got dropped by the DMA either due to Bus Error or due to programming RPF field in DMA_CH1_Rx_Control register
<u>GMAC DMA CH1 RX ERI Cnt</u>	0x11e8	W	0x00000000	The DMA_CH1_RX_ERI_Cnt registers provides the count of the number of times ERI was asserted

Notes:Size:**B**- Byte (8 bits) access, **HW**- Half WORD (16 bits) access, **W**-WORD (32 bits) access

## 25.4.2 Detail Registers Description

### GMAC MAC Configuration

Address: Operational Base + offset (0x0000)

Bit	Attr	Reset Value	Description
31	RW	0x0	<p><b>ARPEN</b> ARP Offload Enable When this bit is set, the MAC can recognize an incoming ARP request packet and schedules the ARP packet for transmission. It forwards the ARP packet to the application and also indicate the events in the RxStatus. When this bit is reset, the MAC receiver does not recognize any ARP packet and indicates them as Type frame in the RxStatus. This bit is available only when the Enable IPv4 ARP Offload is selected. Values: 1'b0: ARP Offload is disabled 1'b1: ARP Offload is enabled</p>
30:28	RW	0x0	<p><b>SARC</b> Source Address Insertion or Replacement Control This field controls the source address insertion or replacement for all transmitted packets. Bit 30 specifies which MAC Address register (0 or 1) is used for source address insertion or replacement based on the values of Bits[29:28]: 2'b0x: The mti_sa_ctrl_i and ati_sa_ctrl_i input signals control the SA field generation. 2'b10: 1.If Bit 30 is set to 0, the MAC inserts the content of the MAC Address 0 registers in the SA field of all transmitted packets. 2.If Bit 30 is set to 1 and the Enable MAC Address Register 1 option is selected while configuring the core, the MAC inserts the content of the MAC Address 1 registers in the SA field of all transmitted packets. 2'b11: 1.If Bit 30 is set to 0, the MAC replaces the content of the MAC Address 0 registers in the SA field of all transmitted packets. 2.If Bit 30 is set to 1 and the MAC Address Register 1 is enabled, the MAC replaces the content of the MAC Address 1 registers in the SA field of all transmitted packets. Note: Changes to this field take effect only on the start of a packet. If you write to this register field when a packet is being transmitted, only the subsequent packet can use the updated value, that is, the current packet does not use the updated value. 0x0 (SA_CTRL_IN): mti_sa_ctrl_i and ati_sa_ctrl_i input signals control the SA field generation 0x2 (MAC0_INS_SA): Contents of MAC Addr-0 inserted in SA field 0x3 (MAC0_REP_SA): Contents of MAC Addr-0 replaces SA field 0x6 (MAC1_INS_SA): Contents of MAC Addr-1 inserted in SA field 0x7 (MAC1_REP_SA): Contents of MAC Addr-1 replaces SA field</p>



Bit	Attr	Reset Value	Description
27	RW	0x0	<p>IPC Checksum Offload</p> <p>When set, this bit enables the IPv4 header checksum checking and IPv4 or IPv6 TCP, UDP, or ICMP payload checksum checking. When this bit is reset, the COE function in the receiver is disabled. The Layer 3 and Layer 4 Packet Filter and Enable Split Header features automatically selects the IPC Full Checksum Offload Engine on the Receive side. When any of these features are enabled, you must set the IPC bit.</p> <p>Values: 1'b0: IP header/payload checksum checking is disabled 1'b1: IP header/payload checksum checking is enabled</p>
26:24	RW	0x0	<p>IPG Inter-Packet Gap</p> <p>These bits control the minimum IPG between packets during transmission. This range of minimum IPG is valid in full-duplex mode. In the half-duplex mode, the minimum IPG can be configured only for 64-bit times (IPG = 100). Lower values are not considered. When a JAM pattern is being transmitted because of backpressure activation, the MAC does not consider the minimum IPG. The above function (IPG less than 96 bit times) is valid only when EIPGEN bit in MAC_Ext_Configuration register is reset. When EIPGEN is set, then the minimum IPG (greater than 96 bit times) is controlled as per the description given in EIPG field in MAC_Ext_Configuration register.</p> <p>Values: 3'b000: 96 bit times IPG 3'b001: 88 bit times IPG 3'b010: 80 bit times IPG 3'b011: 72 bit times IPG 3'b100: 64 bit times IPG 3'b101: 56 bit times IPG 3'b110: 48 bit times IPG 3'b111: 40 bit times IPG</p>
23	RW	0x0	<p>GPSLCE Giant Packet Size Limit Control Enable</p> <p>When this bit is set, the MAC considers the value in GPSL field in MAC_Ext_Configuration register to declare a received packet as Giant packet. This field must be programmed to more than 1,518 bytes. Otherwise, the MAC considers 1,518 bytes as giant packet limit. When this bit is reset, the MAC considers a received packet as Giant packet when its size is greater than 1,518 bytes (1522 bytes for tagged packet). The watchdog timeout limit, Jumbo Packet Enable and 2K Packet Enable have higher precedence over this bit, that is the MAC considers a received packet as Giant packet when its size is greater than 9,018 bytes (9,022 bytes for tagged packet) with Jumbo Packet Enabled and greater than 2,000 bytes with 2K Packet Enabled. The watchdog timeout, if enabled, terminates the received packet when watchdog limit is reached. Therefore, the programmed giant packet limit should be less than the watchdog limit to get the giant packet status.</p> <p>Values: 1'b0: Giant Packet Size Limit Control is disabled 1'b1: Giant Packet Size Limit Control is enabled</p>

Bit	Attr	Reset Value	Description
22	RW	0x0	<p>S2KP IEEE 802.3as Support for 2K Packets When this bit is set, the MAC considers all packets with up to 2,000 bytes length as normal packets. When the JE bit is not set, the MAC considers all received packets of size more than 2K bytes as Giant packets. When this bit is reset and the JE bit is not set, the MAC considers all received packets of size more than 1,518 bytes (1,522 bytes for tagged) as giant packets. Note: When the JE bit is set, setting this bit has no effect on the giant packet status. Values: 1'b0: Support upto 2K packet is disabled 1'b1: Support upto 2K packet is Enabled</p>
21	RW	0x0	<p>CST CRC stripping for Type packets When this bit is set, the last four bytes (FCS) of all packets of Ether type (type field greater than 1,536) are stripped and dropped before forwarding the packet to the application. Note: For information about how the settings of the ACS bit and this bit impact the packet length, see the Table, Packet Length based on the CST and ACS Bits. Values: 1'b0: CRC stripping for Type packets is disabled 1'b1: CRC stripping for Type packets is enabled</p>
20	RW	0x0	<p>ACS Automatic Pad or CRC Stripping When this bit is set, the MAC strips the Pad or FCS field on the incoming packets only if the value of the length field is less than 1,536 bytes. All received packets with length field greater than or equal to 1,536 bytes are passed to the application without stripping the Pad or FCS field. When this bit is reset, the MAC passes all incoming packets to the application, without any modification. Note: For information about how the settings of CST bit and this bit impact the packet length, see the Table, Packet Length based on the CST and ACS Bit. Values: 1'b0: Automatic Pad or CRC Stripping is disabled 1'b1: Automatic Pad or CRC Stripping is enabled</p>
19	RW	0x0	<p>WD Watchdog Disable When this bit is set, the MAC disables the watchdog timer on the receiver. The MAC can receive packets of up to 16,383 bytes. When this bit is reset, the MAC does not allow more than 2,048 bytes (10,240 if JE is set high) of the packet being received. The MAC cuts off any bytes received after 2,048 bytes. Values: 1'b0: Watchdog is enabled 1'b1: Watchdog is disabled</p>
18	RW	0x0	<p>BE Packet Burst Enable When this bit is set, the MAC allows packet bursting during transmission in the GMII half-duplex mode. Values: 1'b0: Packet Burst is disabled 1'b1: Packet Burst is enabled</p>

Bit	Attr	Reset Value	Description
17	RW	0x0	<p><b>JD</b> Jabber Disable</p> <p>When this bit is set, the MAC disables the jabber timer on the transmitter. The MAC can transfer packets of up to 16,383 bytes. When this bit is reset, if the application sends more than 2,048 bytes of data (10,240 if JE is set high) during transmission, the MAC does not send rest of the bytes in that packet.</p> <p>Values: 1'b0: Jabber is enabled 1'b1: Jabber is disabled</p>
16	RW	0x0	<p><b>JE</b> Jumbo Packet Enable</p> <p>When this bit is set, the MAC allows jumbo packets of 9,018 bytes (9,022 bytes for VLAN tagged packets) without reporting a giant packet error in the Rx packet status.</p> <p>Values: 1'b0: Jumbo packet is disabled 1'b1: Jumbo packet is enabled</p>
15	RW	0x0	<p><b>PS</b> Port Select</p> <p>This bit selects the Ethernet line speed. This bit, along with Bit 14, selects the exact line speed. In the 10/100 Mbps-only (always 1) or 1000 Mbps-only (always 0) configurations, this bit is read-only (RO) with appropriate value. In default 10/100/1000 Mbps configurations, this bit is read-write (R/W). The mac_speed_o[1] signal reflects the value of this bit.</p> <p>Values: 1'b0: For 1000 or 2500 Mbps operations 1'b1: For 10 or 100 Mbps operations</p>
14	RW	0x0	<p><b>FES</b> Speed</p> <p>This bit selects the speed mode. The mac_speed_o[0] signal reflects the value of this bit.</p> <p>Values: 1'b0: 10 Mbps when PS bit is 1 and 1 Gbps when PS bit is 0 1'b1: 100 Mbps when PS bit is 1 and 2.5 Gbps when PS bit is 0</p>
13	RW	0x0	<p><b>DM</b> Duplex Mode</p> <p>When this bit is set, the MAC operates in the full-duplex mode in which it can transmit and receive simultaneously. This bit is RO with default value of 1'b1 in the full-duplex-only configurations.</p> <p>Values: 1'b0: Half-duplex mode 1'b1: Full-duplex mode</p>
12	RW	0x0	<p><b>LM</b> Loopback Mode</p> <p>When this bit is set, the MAC operates in the loopback mode at GMII or MII. The (G)MII Rx clock input (clk_rx_i) is required for the loopback to work properly. This is because the Tx clock is not internally looped back.</p> <p>Values: 1'b0: Loopback is disabled 1'b1: Loopback is enabled</p>

Bit	Attr	Reset Value	Description
11	RW	0x0	<p><b>ECRSFD</b>            Enable Carrier Sense Before Transmission in Full-Duplex Mode            When this bit is set, the MAC transmitter checks the CRS signal before packet transmission in the full-duplex mode. The MAC starts the transmission only when the CRS signal is low. When this bit is reset, the MAC transmitter ignores the status of the CRS signal.            Values:            1'b0: ECRSFD is disabled            1'b1: ECRSFD is enabled</p>
10	RW	0x0	<p><b>DO</b>            Disable Receive Own            When this bit is set, the MAC disables the reception of packets when the gmii_txen_o is asserted in the half-duplex mode. When this bit is reset, the MAC receives all packets given by the PHY. This bit is not applicable in the full-duplex mode.            Values:            1'b0: Enable Receive Own            1'b1: Disable Receive Own</p>
9	RW	0x0	<p><b>DCRS</b>            Disable Carrier Sense During Transmission            When this bit is set, the MAC transmitter ignores the (G)MII CRS signal during packet transmission in the half-duplex mode. As a result, no errors are generated because of Loss of Carrier or No Carrier during transmission.            When this bit is reset, the MAC transmitter generates errors because of Carrier Sense. The MAC can even abort the transmission.            Values:            1'b0: Enable Carrier Sense During Transmission            1'b1: Disable Carrier Sense During Transmission</p>
8	RW	0x0	<p><b>DR</b>            Disable Retry            When this bit is set, the MAC attempts only one transmission. When a collision occurs on the GMII or MII interface, the MAC ignores the current packet transmission and reports a Packet Abort with excessive collision error in the Tx packet status. When this bit is reset, the MAC retries based on the settings of the BL field. This bit is applicable only in the half-duplex mode.            Values:            1'b0: Enable Retry            1'b1: Disable Retry</p>
7	RO	0x0	reserved

Bit	Attr	Reset Value	Description
6:5	RW	0x0	<p><b>BL</b> Back-Off Limit The back-off limit determines the random integer number (r) of slot time delays (4,096 bit times for 1000/2500 Mbps; 512 bit times for 10/100 Mbps) for which the MAC waits before rescheduling a transmission attempt during retries after a collision. n = retransmission attempt. The random integer r takes the value in the range <math>0 \leq r &lt; 2^k</math> This bit is applicable only in the half-duplex mode. Values: 2'b00: k = min(n,10) 2'b01: k = min(n,8) 2'b10: k = min(n,4) 2'b11: k = min(n,1)</p>
4	RW	0x0	<p><b>DC</b> Deferral Check When this bit is set, the deferral check function is enabled in the MAC. The MAC issues a Packet Abort status, along with the excessive deferral error bit set in the Tx packet status, when the Tx state machine is deferred for more than 24,288 bit times in 10 or 100 Mbps mode. If the MAC is configured for 1000/2500 Mbps operation, the threshold for deferral is 155,680 bits times. Deferral begins when the transmitter is ready to transmit, but it is prevented because of an active carrier sense signal (CRS) on GMII or MII. The defer time is not cumulative. For example, if the transmitter defers for 10,000 bit times because the CRS signal is active and the CRS signal becomes inactive, the transmitter transmits and collision happens. Because of collision, the transmitter needs to back off and then defer again after back off completion. In such a scenario, the deferral timer is reset to 0, and it is restarted. When this bit is reset, the deferral check function is disabled and the MAC defers until the CRS signal goes inactive. This bit is applicable only in the half-duplex mode. Values: 1'b0: Deferral check function is disabled 1'b1: Deferral check function is enabled</p>
3:2	RW	0x0	<p><b>PRELEN</b> Preamble Length for Transmit packets These bits control the number of preamble bytes that are added to the beginning of every Tx packet. The preamble reduction occurs only when the MAC is operating in the full-duplex mode. Values: 2'b00: 7 bytes of preamble 2'b01: 5 bytes of preamble 2'b10: 3 bytes of preamble 2'b11: Reserved</p>

Bit	Attr	Reset Value	Description
1	RW	0x0	<p>TE Transmitter Enable</p> <p>When this bit is set, the Tx state machine of the MAC is enabled for transmission on the GMII or MII interface. When this bit is reset, the MAC Tx state machine is disabled after it completes the transmission of the current packet. The Tx state machine does not transmit any more packets.</p> <p>Values: 1'b0: Transmitter is disabled 1'b1: Transmitter is enabled</p>
0	RW	0x0	<p>RE Receiver Enable</p> <p>When this bit is set, the Rx state machine of the MAC is enabled for receiving packets from the GMII or MII interface. When this bit is reset, the MAC Rx state machine is disabled after it completes the reception of the current packet. The Rx state machine does not receive any more packets from the GMII or MII interface.</p> <p>Values: 1'b0: Receiver is disabled 1'b1: Receiver is enabled</p>

**GMAC MAC Ext Configuration**

Address: Operational Base + offset (0x0004)

Bit	Attr	Reset Value	Description
31:30	RO	0x0	reserved
29:25	RW	0x00	<p>EIPG Extended Inter-Packet Gap</p> <p>The value in this field is applicable when the EIPGEN bit is set. This field (as Most Significant bits), along with IPG field in MAC_Configuration register, gives the minimum IPG greater than 96 bit times in steps of 8 bit times: EIPG, IPG</p> <p>8'h00 - 104 bit times 8'h01 - 112 bit times 8'h02 - 120 bit times ----- 8'hFF - 2144 bit times</p>
24	RW	0x0	<p>EIPGEN Extended Inter-Packet Gap Enable</p> <p>When this bit is set, the MAC interprets EIPG field and IPG field in MAC_Configuration register together as minimum IPG greater than 96 bit times in steps of 8 bit times. When this bit is reset, the MAC ignores EIPG field and interprets IPG field in MAC_Configuration register as minimum IPG less than or equal to 96 bit times in steps of 8 bit times.</p> <p>Note: The extended Inter-Packet Gap feature must be enabled when operating in Full-Duplex mode only. There may be undesirable effects on back-pressure function and frame transmission if it is enabled in Half-Duplex mode.</p> <p>Values: 1'b0: Extended Inter-Packet Gap is disabled 1'b1: Extended Inter-Packet Gap is enabled</p>
23	RO	0x0	reserved

Bit	Attr	Reset Value	Description
22:20	RW	0x0	<p>HDSMS Maximum Size for Splitting the Header Data These bits indicate the maximum header size allowed for splitting the header data in the received packet. Values: 0x0 (64BYTES): Maximum Size for Splitting the Header Data is 64 bytes 0x1 (128BYTES): Maximum Size for Splitting the Header Data is 128 bytes 0x2 (256BYTES): Maximum Size for Splitting the Header Data is 256 bytes 0x3 (512BYTES): Maximum Size for Splitting the Header Data is 512 bytes 0x4 (1024BYTES): Maximum Size for Splitting the Header Data is 1024 bytes 0x5 (Reserved): Reserved</p>
19	RO	0x0	reserved
18	RW	0x0	<p>USP Unicast Slow Protocol Packet Detect When this bit is set, the MAC detects the Slow Protocol packets with unicast address of the station specified in the MAC_Address0_High and MAC_Address0_Low registers. The MAC also detects the Slow Protocol packets with the Slow Protocols multicast address (01-80-C2-00-00-02). When this bit is reset, the MAC detects only Slow Protocol packets with the Slow Protocol multicast address specified in the IEEE 802.3-2015, Section 5. Values: 1'b0: Unicast Slow Protocol Packet Detection is disabled 1'b1: Unicast Slow Protocol Packet Detection is enabled</p>
17	RW	0x0	<p>SPEN Slow Protocol Detection Enable When this bit is set, MAC processes the Slow Protocol packets (Ether Type 0x8809) and provides the Rx status. The MAC discards the Slow Protocol packets with invalid sub-types. When this bit is reset, the MAC forwards all error-free Slow Protocol packets to the application. The MAC considers such packets as normal Type packets. Values: 1'b0: Slow Protocol Detection is disabled 1'b1: Slow Protocol Detection is enabled</p>
16	RW	0x0	<p>DCRCC Disable CRC Checking for Received Packets When this bit is set, the MAC receiver does not check the CRC field in the received packets. When this bit is reset, the MAC receiver always checks the CRC field in the received packets. Values: 1'b0: CRC Checking is enabled 1'b1: CRC Checking is disabled</p>
15:14	RO	0x0	reserved

Bit	Attr	Reset Value	Description
13:0	RW	0x0000	<p><b>GPSL</b> Giant Packet Size Limit</p> <p>If the received packet size is greater than the value programmed in this field in units of bytes, the MAC declares the received packet as Giant packet. The value programmed in this field must be greater than or equal to 1,518 bytes. Any other programmed value is considered as 1,518 bytes. For VLAN tagged packets, the MAC adds 4 bytes to the programmed value. When the Enable Double VLAN Processing option is selected, the MAC adds 8 bytes to the programmed value for double VLAN tagged packets. The value in this field is applicable when the GPSLCE bit is set in MAC_Configuration register.</p>

**GMAC MAC Packet Filter**

Address: Operational Base + offset (0x0008)

Bit	Attr	Reset Value	Description
31	RW	0x0	<p><b>RA</b> Receive All</p> <p>When this bit is set, the MAC Receiver module passes all received packets to the application, irrespective of whether they pass the address filter or not. The result of the SA or DA filtering is updated (pass or fail) in the corresponding bit in the Rx Status Word.</p> <p>When this bit is reset, the Receiver module passes only those packets to the application that pass the SA or DA address filter.</p> <p>0x0 (DISABLE): Receive All is disabled 0x1 (ENABLE): Receive All is enabled</p>
30:22	RO	0x000	reserved
21	RW	0x0	<p><b>DNTU</b> Drop Non-TCP/UDP over IP Packets</p> <p>When this bit is set, the MAC drops the non-TCP or UDP over IP packets. The MAC forward only those packets that are processed by the Layer 4 filter. When this bit is reset, the MAC forwards all non-TCP or UDP over IP packets.</p> <p>0x0 (FWD): Forward Non-TCP/UDP over IP Packets 0x1 (DROP): Drop Non-TCP/UDP over IP Packets</p>
20	RW	0x0	<p><b>IPFE</b> Layer 3 and Layer 4 Filter Enable</p> <p>When this bit is set, the MAC drops packets that do not match the enabled Layer 3 and Layer 4 filters. If Layer 3 or Layer 4 filters are not enabled for matching, this bit does not have any effect.</p> <p>When this bit is reset, the MAC forwards all packets irrespective of the match status of the Layer 3 and Layer 4 fields.</p> <p>0x0 (DISABLE): Layer 3 and Layer 4 Filters are disabled 0x1 (ENABLE): Layer 3 and Layer 4 Filters are enabled</p>
19:17	RO	0x0	reserved



Bit	Attr	Reset Value	Description
16	RW	0x0	<p><b>VTFE</b>  VLAN Tag Filter Enable  When this bit is set, the MAC drops the VLAN tagged packets that do not match the VLAN Tag. When this bit is reset, the MAC forwards all packets irrespective of the match status of the VLAN Tag.  Values:  1'b0: VLAN Tag Filter is disabled  1'b1: VLAN Tag Filter is enabled</p>
15:11	RO	0x00	reserved
10	RW	0x0	<p><b>HPF</b>  Hash or Perfect Filter  When this bit is set, the address filter passes a packet if it matches either the perfect filtering or hash filtering as set by the HMC or HUC bit. When this bit is reset and the HUC or HMC bit is set, the packet is passed only if it matches the Hash filter.  Values:  1'b0: Hash or Perfect Filter is disabled  2'b1: Hash or Perfect Filter is enabled</p>
9	RW	0x0	<p><b>SAF</b>  Source Address Filter Enable  When this bit is set, the MAC compares the SA field of the received packets with the values programmed in the enabled SA registers. If the comparison fails, the MAC drops the packet. When this bit is reset, the MAC forwards the received packet to the application with updated SAF bit of the Rx Status depending on the SA address comparison.  Note: According to the IEEE specification, Bit 47 of the SA is reserved. However, in GMAC, the MAC compares all 48 bits. The software driver should take this into consideration while programming the MAC address registers for SA.  0x0 (DISABLE): SA Filtering is disabled  0x1 (ENABLE): SA Filtering is enabled</p>
8	RW	0x0	<p><b>SAIF</b>  SA Inverse Filtering  When this bit is set, the Address Check block operates in the inverse filtering mode for SA address comparison. If the SA of a packet matches the values programmed in the SA registers, it is marked as failing the SA Address filter.  When this bit is reset, if the SA of a packet does not match the values programmed in the SA registers, it is marked as failing the SA Address filter.  0x0 (DISABLE): SA Inverse Filtering is disabled  0x1 (ENABLE): SA Inverse Filtering is enabled</p>

Bit	Attr	Reset Value	Description
7:6	RW	0x0	<p>PCF Pass Control Packets These bits control the forwarding of all control packets (including unicast and multicast Pause packets). Values: 2'b00: MAC filters all control packets from reaching the application 2'b01: MAC forwards all control packets except Pause packets to the application even if they fail the Address filter 2'b10: MAC forwards all control packets to the application even if they fail the Address filter 2'b11: MAC forwards the control packets that pass the Address filter</p>
5	RW	0x0	<p>DBF Disable Broadcast Packets When this bit is set, the AFM module blocks all incoming broadcast packets. In addition, it overrides all other filter settings. When this bit is reset, the AFM module passes all received broadcast packets. Values: 1'b0: Enable Broadcast Packets 1'b1: Disable Broadcast Packets</p>
4	RW	0x0	<p>PM Pass All Multicast When this bit is set, it indicates that all received packets with a multicast destination address (first bit in the destination address field is '1') are passed. When this bit is reset, filtering of multicast packet depends on HMC bit. Values: 1'b0: Pass All Multicast is disabled 1'b1: Pass All Multicast is enabled</p>
3	RW	0x0	<p>DAIF DA Inverse Filtering When this bit is set, the Address Check block operates in inverse filtering mode for the DA address comparison for both unicast and multicast packets. When this bit is reset, normal filtering of packets is performed. Values: 1'b0: DA Inverse Filtering is disabled 1'b1: DA Inverse Filtering is enabled</p>
2	RW	0x0	<p>HMC Hash Multicast When this bit is set, the MAC performs the destination address filtering of received multicast packets according to the hash table. When this bit is reset, the MAC performs the perfect destination address filtering for multicast packets, that is, it compares the DA field with the values programmed in DA registers. Values: 1'b0: Hash Multicast is disabled 1'b1: Hash Multicast is enabled</p>

Bit	Attr	Reset Value	Description
1	RW	0x0	<p>HUC Hash Unicast</p> <p>When this bit is set, the MAC performs the destination address filtering of unicast packets according to the hash table. When this bit is reset, the MAC performs a perfect destination address filtering for unicast packets, that is, it compares the DA field with the values programmed in DA registers.</p> <p>Values: 1'b0: Hash Unicast is disabled 1'b1: Hash Unicast is enabled</p>
0	RW	0x0	<p>PR Promiscuous Mode</p> <p>When this bit is set, the Address Filtering module passes all incoming packets irrespective of the destination or source address. The SA or DA Filter Fails status bits of the Rx Status Word are always cleared when PR is set.</p> <p>Values: 1'b0: Promiscuous Mode is disabled 1'b1: Promiscuous Mode is enabled</p>

**GMAC MAC Watchdog Timeout**

Address: Operational Base + offset (0x000c)

Bit	Attr	Reset Value	Description
31:9	RO	0x000000	reserved
8	RW	0x0	<p>PWE Programmable Watchdog Enable</p> <p>Programmable Watchdog Enable</p> <p>When this bit is set and the WD bit of the MAC_Configuration register is reset, the WTO field is used as watchdog timeout for a received packet. When this bit is cleared, the watchdog timeout for a received packet is controlled by setting of WD and JE bits in MAC_Configuration register.</p> <p>Values: 1'b0: Programmable Watchdog is disabled 1'b1: Programmable Watchdog is enabled</p>
7:4	RO	0x0	reserved

Bit	Attr	Reset Value	Description
3:0	RW	0x0	<p>WTO                      Watchdog Timeout                      When the PWE bit is set and the WD bit of the MAC_Configuration register is reset, this field is used as watchdog timeout for a received packet. If the length of a received packet exceeds the value of this field, such packet is terminated and declared as an error packet.                      Note: When the PWE bit is set, the value in this field should be more than 1,522 (0x05F2). Otherwise, the IEEE 802.3-specified valid tagged packets are declared as error packets and then dropped.                      Values:                      4'b0000: 2 KB                      4'b0001: 3 KB                      4'b0010: 4 KB                      4'b0011: 5 KB                      4'b0100: 6 KB                      4'b0101: 7 KB                      4'b0110: 8 KB                      4'b0111: 9 KB                      4'b1000: 10 KB                      4'b1001: 11 KB                      4'b1010: 12 KB                      4'b1011: 13 KB                      4'b1100: 14 KB                      4'b1101: 15 KB                      4'b1110: 16383 Bytes                      4'b1111: Reserved</p>

**GMAC MAC Hash Table Reg0**

Address: Operational Base + offset (0x0010)

Bit	Attr	Reset Value	Description
31:0	RW	0x00000000	<p>HT31T0 MAC Hash Table First 32 Bits This field contains the first 32 Bits [31:0] of the Hash table. The Hash table is used for group address filtering. For hash filtering, the content of the destination address in the incoming packet is passed through the CRC logic and the upper six (seven in 128-bit Hash or eight in 256-bit Hash) bits of the CRC register are used to index the content of the Hash table. The most significant bits determines the register to be used (Hash Table Register X), and the least significant five bits determine the bit within the register. For example, a hash value of 6'b100000 (in 64-bit Hash) selects Bit 0 of the Hash Table Register 1, a value of 7b'1110000 (in 128-bit Hash) selects Bit 16 of the Hash Table Register 3 and a value of 8b'10111111 (in 256-bit Hash) selects Bit 31 of the Hash Table Register 5.</p> <p>The hash value of the destination address is calculated in the following way:</p> <ol style="list-style-type: none"> <li>1. Calculate the 32-bit CRC for the DA (See IEEE 802.3, Section 3.2.8 for the steps to calculate CRC32).</li> <li>2. Perform bitwise reversal for the value obtained in Step 1.</li> <li>3. Take the upper 6 (or 7 or 8) bits from the value obtained in Step 2. If the corresponding bit value of the register is 1'b1, the packet is accepted. Otherwise, it is rejected. If the PM bit is set in MAC_Packet_Filter, all multicast packets are accepted regardless of the multicast hash values.</li> </ol> <p>If the Hash Table register is configured to be double-synchronized to the (G)MII clock domain, the synchronization is triggered only when Bits[31:24] (in little-endian mode) or Bits[7:0] (in big-endian mode) of the Hash Table Register X registers are written. If double-synchronization is enabled, consecutive writes to this register should be performed after at least four clock cycles in the destination clock domain.</p>

**GMAC MAC Hash Table Reg1**

Address: Operational Base + offset (0x0014)

Bit	Attr	Reset Value	Description
31:0	RW	0x00000000	<p>HT63T32 MAC Hash Table Second 32 Bits This field contains the second 32 Bits [63:32] of the Hash table.</p>

**GMAC MAC Hash Table Reg2**

Address: Operational Base + offset (0x0018)

Bit	Attr	Reset Value	Description
31:0	RW	0x00000000	<p>HT95T64 MAC Hash Table Third 32 Bits This field contains the third 32 Bits [95:64] of the Hash table.</p>

**GMAC MAC VLAN Tag Ctrl**

Address: Operational Base + offset (0x0050)

Bit	Attr	Reset Value	Description
31	RW	0x0	<p><b>EIVLRXS</b> Enable Inner VLAN Tag in Rx Status When this bit is set, the MAC provides the inner VLAN Tag in the Rx status. When this bit is reset, the MAC does not provide the inner VLAN Tag in Rx status. 0x0 (DISABLE): Inner VLAN Tag in Rx status is disabled 0x1 (ENABLE): Inner VLAN Tag in Rx status is enabled</p>
30	RO	0x0	reserved
29:28	RW	0x0	<p><b>EIVLS</b> Enable Inner VLAN Tag Stripping on Receive This field indicates the stripping operation on inner VLAN Tag in received packet. 0x0 (DONOT): Do not strip 0x1 (IFPASS): Strip if VLAN filter passes 0x2 (IFFAIL): Strip if VLAN filter fails 0x3 (ALWAYS): Always strip</p>
27	RW	0x0	<p><b>ERIVLT</b> Enable Inner VLAN Tag 0x0 (DISABLE): Inner VLAN tag is disabled 0x1 (ENABLE): Inner VLAN tag is enabled</p>
26	RW	0x0	<p><b>EDVLP</b> Enable Double VLAN Processing When this bit is set, the MAC enables processing of up to two VLAN Tags on Tx and Rx (if present). When this bit is reset, the MAC enables processing of up to one VLAN Tag on Tx and Rx (if present). 0x0 (DISABLE): Double VLAN Processing is disabled 0x1 (ENABLE): Double VLAN Processing is enabled</p>
25	RW	0x0	<p><b>VTHM</b> VLAN Tag Hash Table Match Enable When this bit is set, the most significant four bits of CRC of VLAN Tag (ones-complement of most significant four bits of CRC of VLAN Tag when ETV bit is reset) are used to index the content of the MAC_VLAN_Hash_Table register. A value of 1 in the VLAN Hash Table register, corresponding to the index, indicates that the packet matched the VLAN hash table. When the ETV bit is set, the CRC of the 12-bit VLAN Identifier (VID) is used for comparison. When the ETV bit is reset, the ones-complement of the CRC of the 16-bit VLAN tag is used for comparison. When this bit is reset, the VLAN Hash Match operation is not performed. 0x0 (DISABLE): VLAN Tag Hash Table Match is disabled 0x1 (ENABLE): VLAN Tag Hash Table Match is enabled</p>
24	RW	0x0	<p><b>EVLRXS</b> Enable VLAN Tag in Rx status When this bit is set, MAC provides the outer VLAN Tag in the Rx status. When this bit is reset, the MAC does not provide the outer VLAN Tag in Rx status. Values: 1'b0: VLAN Tag in Rx status is disabled 1'b1: VLAN Tag in Rx status is enabled</p>
23	RO	0x0	reserved

Bit	Attr	Reset Value	Description
22:21	RW	0x0	<p><b>EVLS</b>            Enable VLAN Tag Stripping on Receive            This field indicates the stripping operation on the outer VLAN Tag in received packet.            Values:            2'b00: Do not strip            2'b01: Strip if VLAN filter passes            2'b10: Strip if VLAN filter fails            2'b11: Always strip</p>
20:19	RO	0x0	reserved
18	RW	0x0	<p><b>ESVL</b>            Enable S-VLAN            When this bit is set, the MAC transmitter and receiver consider the S-VLAN packets (Type = 0x88A8) as valid VLAN tagged packets.            Values:            1'b0: S-VLAN is disabled            1'b1: S-VLAN is enabled</p>
17	RW	0x0	<p><b>VTIM</b>            VLAN Tag Inverse Match Enable            When this bit is set, this bit enables the VLAN Tag inverse matching. The packets without matching VLAN Tag are marked as matched. When reset, this bit enables the VLAN Tag perfect matching. The packets with matched VLAN Tag are marked as matched.            Values:            1'b0: VLAN Tag Inverse Match is disabled            1'b1: VLAN Tag Inverse Match is enabled</p>
16:7	RO	0x000	reserved
6:2	RW	0x00	<p><b>OFS</b>            Offset            This field holds the address offset of the MAC VLAN Tag Filter Register which the application is trying to access. The width of the field depends on the number of MAC VLAN Tag Registers enabled.</p>
1	RW	0x0	<p><b>CT</b>            Command Type            This bit indicates if the current register access is a read or a write.            When set, it indicate a read operation. When reset, it indicates a write operation.            0x0 (WRITE): Write operation            0x1 (READ): Read operation</p>

Bit	Attr	Reset Value	Description
0	RW	0x0	<p><b>OB</b>  <b>Operation Busy</b>                      This bit is set along with a read or write command for initiating the indirect access to per VLAN Tag Filter register. This bit is reset when the read or write command to per VLAN Tag Filter indirect access register is complete. The next indirect register access can be initiated only after this bit is reset.                      During a write operation, the bit is reset only after the data has been written into the Per VLAN Tag register. During a read operation, the data should be read from the MAC_VLAN_Tag_Data register only after this bit is reset.                      0x0 (DISABLE): Operation Busy is disabled                      0x1 (ENABLE): Operation Busy is enabled</p>

**GMAC MAC VLAN Tag Data**

Address: Operational Base + offset (0x0054)

Bit	Attr	Reset Value	Description
31:26	RO	0x00	reserved
25	RW	0x0	<p><b>DMACHN</b>  <b>DMA Channel Number</b>                      The DMA Channel number to which the VLAN Tagged Frame is to be routed if it passes this VLAN Tag Filter is programmed in this field.                      If the Routing based on VLAN Tag Filter is not necessary, this field need not be programmed.</p>
24	RW	0x0	<p><b>DMACHEN</b>  <b>DMA Channel Number Enable</b>                      This bit is the Enable for the DMA Channel Number value programmed in the field DMACH.                      When this bit is reset, the Routing does not occur based on VLAN Filter result. The frame is routed based on DA Based DMA Channel Routing.                      0x0 (DISABLE): DMA Channel Number is disabled                      0x1 (ENABLE): DMA Channel Number is enabled</p>
23:21	RO	0x0	reserved
20	RW	0x0	<p><b>ERIVLT</b>  <b>Enable Inner VLAN Tag Comparison</b>                      This bit is valid only when VLAN Tag Enable of the Filter is set. When this bit and the EDVLP field are set, the MAC receiver enables operation on the inner VLAN Tag (if present).                      When this bit is reset, the MAC receiver enables operation on the outer VLAN Tag (if present).                      0x0 (DISABLE): Inner VLAN tag comparison is disabled                      0x1 (ENABLE): Inner VLAN tag comparison is enabled</p>
19	RW	0x0	<p><b>ERSVLM</b>  <b>Enable S-VLAN Match for received Frames</b>                      This bit is valid only when VLAN Tag Enable of the Filter is set. When this bit is set, the MAC receiver enables filtering or matching for S-VLAN (Type = 0x88A8) packets.                      When this bit is reset, the MAC receiver enables filtering or matching for C-VLAN (Type = 0x8100) packets.                      0x0 (DISABLE): Receive S-VLAN Match is disabled                      0x1 (ENABLE): Receive S-VLAN Match is enabled</p>



Bit	Attr	Reset Value	Description
18	RW	0x0	<p><b>DOVLTC</b> Disable VLAN Type Comparison This bit is valid only when VLAN Tag Enable of the Filter is set. When this bit is set, the MAC does not check whether the VLAN Tag specified by the Enable Inner VLAN Tag Comparison bit is of type S-VLAN or C-VLAN. When this bit is reset, the MAC filters or matches the VLAN Tag specified by the Enable Inner VLAN Tag Comparison bit only when VLAN Tag type is similar to the one specified by the Enable S-VLAN Match for received Frames bit. 0x0 (ENABLE): VLAN type comparison is enabled 0x1 (DISABLE): VLAN type comparison is disabled</p>
17	RW	0x0	<p><b>ETV</b> 12bits or 16bits VLAN comparison This bit is valid only when VEN of the Filter is set. When this bit is set, a 12-bit VLAN identifier is used for comparing and filtering instead of the complete 16-bit VLAN tag. Bits [11:0] of VLAN tag are compared with the corresponding field in the received VLAN-tagged packet. 0x0 (16BIT): 16 bit VLAN comparison 0x1 (12BIT): 12 bit VLAN comparison</p>
16	RW	0x0	<p><b>VEN</b> VLAN Tag Enable This bit is used to enable or disable the VLAN Tag. When this bit is set, the MAC compares the VLAN Tag of received packet with the VLAN Tag ID. When this bit is reset, no comparison is performed irrespective of the programming of the other fields. 0x0 (DISABLE): VLAN Tag is disabled 0x1 (ENABLE): VLAN Tag is enabled</p>
15:0	RW	0x0000	<p><b>VID</b> VLAN Tag ID This field holds the VLAN Tag value which is used by the MAC for perfect comparison. It is valid when VLAN Tag Enable is set.</p>

**GMAC MAC VLAN Hash Table**

Address: Operational Base + offset (0x0058)

Bit	Attr	Reset Value	Description
31:16	RO	0x0000	reserved

Bit	Attr	Reset Value	Description
15:0	RW	0x0000	<p>VLHT VLAN Hash Table This field contains the 16-bit VLAN Hash Table. For hash filtering, the content of the 16-bit VLAN tag or 12-bit VLAN ID (based on the ETV bit of MAC_VLAN_Tag Register) in the incoming packet is passed through the CRC logic. When ETV bit of MAC_VLAN_Tag register is set, the upper four bits of the calculated CRC are used to index the contents of the VLAN Hash table. When ETV bit of MAC_VLAN_Tag register is reset, the ones-complement of upper four bits of the calculated CRC are used to index the contents of the VLAN Hash table. For example, when ETV bit is set a hash value of 4b'1000 selects Bit 8 of the VLAN Hash table, whereas when ETV bit is reset a hash value of 4b'1000 selects Bit 7 of the VLAN Hash table. The hash value of the destination address is calculated in the following way: 1. Calculate the 32-bit CRC for the VLAN tag or ID (For steps to calculate CRC32, see Section 3.2.8 of IEEE 802.3). 2. Perform bitwise reversal for the value obtained in step 1. 3. Take the upper four bits from the value obtained in step 2. If the VLAN hash Table register is configured to be double-synchronized to the (G)MII clock domain, the synchronization is triggered only when Bits[15:8] (in little-endian mode) or Bits[7:0] (in big-endian mode) of this register are written. 1. If double-synchronization is enabled, consecutive writes to this register should be performed after at least four clock cycles in the destination clock domain.</p>

**GMAC MAC\_VLAN\_Incl**

Address: Operational Base + offset (0x0060)

Bit	Attr	Reset Value	Description
31	RO	0x0	<p>BUSY Busy This bit indicates the status of the read/write operation of indirect access to the queue/channel specific VLAN inclusion register. For write operation write to a register is complete when this bit is reset. For read operation the read data is valid when the bit is reset. The application must make sure that this bit is reset before attempting subsequent access to this register. Values: 0x0 (INACTIVE): Busy status not detected 0x1 (ACTIVE): Busy status detected</p>
30	RW	0x0	<p>RDWR Read write control This bit controls the read or write operation for indirectly accessing the queue/channel specific VLAN Inclusion register. When set indicates write operation and when reset indicates read operation. This does not have any effect when CBTI is reset. Values: 0x0 (READ): Read operation of indirect access 0x1 (WRITE): Write operation of indirect access</p>
29:25	RO	0x00	reserved

Bit	Attr	Reset Value	Description
24	RW	0x0	<b>ADDR</b> Address This field selects one of the queue/channel specific VLAN Inclusion register for read/write access. This does not have any effect when CBTI is reset.
23:22	RO	0x0	reserved
21	RW	0x0	<b>CBTI</b> Channel based tag insertion When this bit is set, outer VLAN tag is inserted for every packets transmitted by the MAC. The tag value is taken from the queue/channel specific VLAN tag register. The VLTI, VLP, VLC, and VLT fields of this register are ignored when this bit is set. When this bit is set, a write operation to byte 3 of this register initiates the read/write access to the indirect register. When reset, outer VLAN operation is based on the setting of VLTI, VLP, VLC and VLT fields of this register.
20	RW	0x0	<b>VLTI</b> VLAN Tag Input When this bit is set, it indicates that the VLAN tag to be inserted or replaced in Tx packet should be taken from the following: <ol style="list-style-type: none"> <li>1.The mti_vlan_tag_i signal in EQOS-CORE configurations</li> <li>2.The control word in EQOS-MTL configurations</li> <li>3.The Tx descriptor in EQOS-AHB, EQOS-AXI, or EQOS-DMA configurations</li> </ol> Values: 0x0 (DISABLE): VLAN Tag Input is disabled 0x1 (ENABLE): VLAN Tag Input is enabled
19	RW	0x0	<b>CSVL</b> C-VLAN or S-VLAN When this bit is set, S-VLAN type (0x88A8) is inserted or replaced in the 13th and 14th bytes of transmitted packets. When this bit is reset, C-VLAN type (0x8100) is inserted or replaced in the 13th and 14th bytes of transmitted packets. Values: 0x0 (C-VLAN): C-VLAN type (0x8100) is inserted or replaced 0x1 (S-VLAN): S-VLAN type (0x88A8) is inserted or replaced
18	RW	0x0	<b>VLP</b> VLAN Priority Control When this bit is set, the control bits[17:16] are used for VLAN deletion, insertion, or replacement. When this bit is reset, the mti_vlan_ctrl_i control input is used and bits[17:16] are ignored. Values: 0x0 (DISABLE): VLAN Priority Control is disabled 0x1 (ENABLE): VLAN Priority Control is enabled

Bit	Attr	Reset Value	Description
17:16	RW	0x0	<p>VLC VLAN Tag Control in Transmit Packets 2'b00: No VLAN tag deletion, insertion, or replacement 2'b01: VLAN tag deletion The MAC removes the VLAN type (bytes 13 and 14) and VLAN tag (bytes 15 and 16) of all transmitted packets with VLAN tags. 2'b10: VLAN tag insertion The MAC inserts VLT in bytes 15 and 16 of the packet after inserting the Type value (0x8100 or 0x88a8) in bytes 13 and 14. This operation is performed on all transmitted packets, irrespective of whether they already have a VLAN tag. 2'b11: VLAN tag replacement The MAC replaces VLT in bytes 15 and 16 of all VLAN-type transmitted packets (Bytes 13 and 14 are 0x8100 or 0x88a8). Note: Changes to this field take effect only on the start of a packet. If you write this register field when a packet is being transmitted, only the subsequent packet can use the updated value, that is, the current packet does not use the updated value. Values: 0x0 (NONE): No VLAN tag deletion, insertion, or replacement 0x1 (DELETE): VLAN tag deletion 0x2 (INSERT): VLAN tag insertion 0x3 (REPLACE): VLAN tag replacement</p>
15:0	RW	0x0000	<p>VLT VLAN Tag for Transmit Packets This field contains the value of the VLAN tag to be inserted or replaced. The value must only be changed when the transmit lines are inactive or during the initialization phase. Bits[15:13] are the User Priority field, Bit 12 is the CFI/DEI field, and Bits[11:0] are the VID field in the VLAN tag. The following list describes the bits of this field: 1. Bits[15:13]: User Priority 2. Bit 12: Canonical Format Indicator (CFI) or Drop Eligible Indicator (DEI) 3. Bits[11:0]: VLAN Identifier (VID) field of VLAN tag</p>

**GMAC MAC Inner VLAN Incl**

Address: Operational Base + offset (0x0064)

Bit	Attr	Reset Value	Description
31:21	RO	0x000	reserved
20	RW	0x0	<p>VLT VLAN Tag Input When this bit is set, it indicates that the VLAN tag to be inserted or replaced in Tx packet should be taken from the following: 1. The mti_vlan_tag_i signal in EQOS-CORE configurations 2. The control word in EQOS-MTL configurations 3. The Tx descriptor in EQOS-AHB, EQOS-AXI, or EQOS-DMA configurations  0x0 (DISABLE): VLAN Tag Input is disabled 0x1 (ENABLE): VLAN Tag Input is enabled</p>

Bit	Attr	Reset Value	Description
19	RW	0x0	<p>CSVL C-VLAN or S-VLAN</p> <p>When this bit is set, S-VLAN type (0x88A8) is inserted or replaced in the 13th and 14th bytes of transmitted packets. When this bit is reset, C-VLAN type (0x8100) is inserted or replaced in the 13th and 14th bytes of transmitted packets.</p> <p>Values: 0x0 (C-VLAN): C-VLAN type (0x8100) is inserted 0x1 (S-VLAN): S-VLAN type (0x88A8) is inserted</p>
18	RW	0x0	<p>VLP VLAN Priority Control</p> <p>When this bit is set, the VLC field is used for VLAN deletion, insertion, or replacement. When this bit is reset, the mti_vlan_ctrl_i control input is used and the VLC field is ignored.</p> <p>Values: 0x0 (DISABLE): VLAN Priority Control is disabled 0x1 (ENABLE): VLAN Priority Control is enabled</p>
17:16	RW	0x0	<p>VLC VLAN Tag Control in Transmit Packets</p> <p>2'b00: No VLAN tag deletion, insertion, or replacement 2'b01: VLAN tag deletion The MAC removes the VLAN type (bytes 17 and 18) and VLAN tag (bytes 19 and 20) of all transmitted packets with VLAN tags. 2'b10: VLAN tag insertion The MAC inserts VLT in bytes 19 and 20 of the packet after inserting the Type value (0x8100 or 0x88a8) in bytes 17 and 18. This operation is performed on all transmitted packets, irrespective of whether they already have a VLAN tag. 2'b11: VLAN tag replacement The MAC replaces VLT in bytes 19 and 20 of all VLAN-type transmitted packets (Bytes 17 and 18 are 0x8100 or 0x88a8). Note: Changes to this field take effect only on the start of a packet. If you write this register field when a packet is being transmitted, only the subsequent packet can use the updated value, that is, the current packet does not use the updated value.</p> <p>Values: 0x0 (NONE): No VLAN tag deletion, insertion, or replacement 0x1 (DELETE): VLAN tag deletion 0x2 (INSERT): VLAN tag insertion 0x3 (REPLACE): VLAN tag replacement</p>
15:0	RW	0x0000	<p>VLT VLAN Tag for Transmit Packets</p> <p>This field contains the value of the VLAN tag to be inserted or replaced. The value must only be changed when the transmit lines are inactive or during the initialization phase. Bits[15:13] are the User Priority field, Bit 12 is the CFI/DEI field, and Bits[11:0] are the VID field in the VLAN tag.</p> <p>The following list describes the bits of this field:</p> <ol style="list-style-type: none"> <li>Bits[15:13]: User Priority</li> <li>Bit 12: Canonical Format Indicator (CFI) or Drop Eligible Indicator (DEI)</li> <li>Bits[11:0]: VLAN Identifier (VID) field of VLAN tag</li> </ol>

**GMAC MAC Q0 Tx Flow Ctrl**

Address: Operational Base + offset (0x0070)

Bit	Attr	Reset Value	Description
31:16	RW	0x0000	<p>PT Pause Time</p> <p>This field holds the value to be used in the Pause Time field in the Tx control packet. If the Pause Time bits are configured to be double-synchronized to the (G)MII clock domain, consecutive writes to this register should be performed only after at least four clock cycles in the destination clock domain.</p>
15:8	RO	0x00	reserved
7	RW	0x0	<p>DZPQ Disable Zero-Quanta Pause</p> <p>When this bit is set, it disables the automatic generation of the zero-quanta Pause packets on de-assertion of the flow-control signal from the FIFO layer (MTL or external sideband flow control signal <code>sbd_flowctrl_i</code> or <code>mti_flowctrl_i</code>).</p> <p>When this bit is reset, normal operation with automatic zero-quanta Pause packet generation is enabled.</p> <p>Values: 1'b0: Zero-Quanta Pause packet generation is enabled 1'b1: Zero-Quanta Pause packet generation is disabled</p>
6:4	RW	0x0	<p>PLT Pause Low Threshold</p> <p>This field configures the threshold of the Pause timer at which the input flow control signal <code>mti_flowctrl_i</code> (or <code>sbd_flowctrl_i</code>) is checked for automatic retransmission of the Pause packet. The threshold values should be always less than the Pause Time configured in Bits[31:16]. For example, if PT = 100H (256 slot times), and PLT = 001, a second Pause packet is automatically transmitted if the <code>mti_flowctrl_i</code> signal is asserted at 228 (256-28) slot times after the first Pause packet is transmitted.</p> <p>The following list provides the threshold values for different values. The slot time is defined as the time taken to transmit 512 bits (64 bytes) on the GMII or MII interface. This (approximate) computation is based on the packet size (64, 1518, 2000, 9018, 16384, or 32768) + 2 Pause Packet Size + IPG in Slot Times.</p> <p>Values: 3'b000: Pause Time minus 4 Slot Times (PT -4 slot times) 3'b001: Pause Time minus 28 Slot Times (PT -28 slot times) 3'b010: Pause Time minus 36 Slot Times (PT -36 slot times) 3'b011: Pause Time minus 144 Slot Times (PT -144 slot times) 3'b100: Pause Time minus 256 Slot Times (PT -256 slot times) 3'b101: Pause Time minus 512 Slot Times (PT -512 slot times) 3'b110: Reserved</p>
3:2	RO	0x0	reserved

Bit	Attr	Reset Value	Description
1	RW	0x0	<p>TFE Transmit Flow Control Enable</p> <p>Full-Duplex Mode: In the full-duplex mode, when this bit is set, the MAC enables the flow control operation to Tx Pause packets. When this bit is reset, the flow control operation in the MAC is disabled, and the MAC does not transmit any Pause packets.</p> <p>Half-Duplex Mode: In the half-duplex mode, when this bit is set, the MAC enables the backpressure operation. When this bit is reset, the backpressure feature is disabled.</p> <p>Values: 1'b0: Transmit Flow Control is disabled 1'b1: Transmit Flow Control is enabled</p>
0	RW	0x0	<p>FCB_BPA Flow Control Busy or Backpressure Activate</p> <p>This bit initiates a Pause packet in the full-duplex mode and activates the backpressure function in the half-duplex mode if the TFE bit is set.</p> <p>Full-Duplex Mode: In the full-duplex mode, this bit should be read as 1'b0 before writing to this register. To initiate a Pause packet, the application must set this bit to 1'b1. During Control packet transfer, this bit continues to be set to indicate that a packet transmission is in progress. When Pause packet transmission is complete, the MAC resets this bit to 1'b0. You should not write to this register until this bit is cleared.</p> <p>Half-Duplex Mode: When this bit is set (and TFE bit is set) in the half-duplex mode, the MAC asserts the backpressure. During backpressure, when the MAC receives a new packet, the transmitter starts sending a JAM pattern resulting in a collision. This control register bit is logically ORed with the mti_flowctrl_i input signal for the backpressure function. When the MAC is configured for the full-duplex mode, the BPA is automatically disabled. Access restriction applies. Setting 1 sets. Self-cleared. Setting 0 has no effect.</p> <p>Values: 1'b0: Flow Control Busy or Backpressure Activate is disabled 1'b1: Flow Control Busy or Backpressure Activate is enabled</p>

**GMAC MAC Rx Flow Ctrl**

Address: Operational Base + offset (0x0090)

Bit	Attr	Reset Value	Description
31:2	RO	0x00000000	reserved

Bit	Attr	Reset Value	Description
1	RW	0x0	<p>UP Unicast Pause Packet Detect</p> <p>A pause packet is processed when it has the unique multicast address specified in the IEEE 802.3. When this bit is set, the MAC can also detect Pause packets with unicast address of the station. This unicast address should be as specified in MAC_Address0_High and MAC_Address0_Low. When this bit is reset, the MAC only detects Pause packets with unique multicast address.</p> <p>Note: The MAC does not process a Pause packet if the multicast address is different from the unique multicast address. This is also applicable to the received PFC packet when the Priority Flow Control (PFC) is enabled. The unique multicast address (0x01_80_C2_00_00_01) is as specified in IEEE 802.1 Qbb-2011.</p> <p>Values: 1'b0: Unicast Pause Packet Detect disabled 1'b1: Unicast Pause Packet Detect enabled</p>
0	RW	0x0	<p>RFE Receive Flow Control Enable</p> <p>When this bit is set and the MAC is operating in full-duplex mode, the MAC decodes the received Pause packet and disables its transmitter for a specified (Pause) time. When this bit is reset or the MAC is operating in half-duplex mode, the decode function of the Pause packet is disabled. When PFC is enabled, flow control is enabled for PFC packets. The MAC decodes the received PFC packet and disables the Transmit queue, with matching priorities, for a duration of received Pause time.</p> <p>Values: 1'b0: Receive Flow Control is disabled 1'b1: Receive Flow Control is enabled</p>

**GMAC MAC RxQ Ctrl4**

Address: Operational Base + offset (0x0094)

Bit	Attr	Reset Value	Description
31:18	RO	0x0000	reserved
17	RW	0x0	<p>VFFQ VLAN Tag Filter Fail Packets Queue</p> <p>This field holds the Rx queue number to which the tagged packets failing the Destination or Source Address filter (and UFFQE/MFFQE not enabled) or failing the VLAN tag filter must be routed to. This field is valid only when the VFFQE bit is set.</p>
16	RW	0x0	<p>VFFQE VLAN Tag Filter Fail Packets Queuing Enable</p> <p>When this bit is set, the tagged packets which fail the Destination or Source address filter or fail the VLAN tag filter, are routed to the Rx Queue Number programmed in the VFFQ. When this bit is reset, the tagged packets which fail the Destination or Source address filter or fail the VLAN tag filter are routed based on other routing options. This bit is valid only when the RA bit of the MAC_Packet_Filter register is set.</p> <p>0x0 (DISABLE): VLAN tag Filter Fail Packets Queuing is disabled 0x1 (ENABLE): VLAN tag Filter Fail Packets Queuing is enabled</p>
15:10	RO	0x00	reserved



Bit	Attr	Reset Value	Description
9	RW	0x0	<b>MFFQ</b> Multicast Address Filter Fail Packets Queue This field holds the Rx queue number to which the Multicast packets failing the Destination or Source Address filter are routed to. This field is valid only when the MFFQE bit is set.
8	RW	0x0	<b>MFFQE</b> Multicast Address Filter Fail Packets Queuing Enable When this bit is set, the Multicast packets which fail the Destination or Source address filter is routed to the Rx Queue Number programmed in the MFFQ. When this bit is reset, the Multicast packets which fail the Destination or Source address filter is routed based on other routing options. This bit is valid only when the RA bit of the MAC_Packet_Filter register is set. 0x0 (DISABLE): Multicast Address Filter Fail Packets Queuing is disabled 0x1 (ENABLE): Multicast Address Filter Fail Packets Queuing is enabled
7:2	RO	0x00	reserved
1	RW	0x0	<b>UFFQ</b> Unicast Address Filter Fail Packets Queue This field holds the Rx queue number to which the Unicast packets failing the Destination or Source Address filter are routed to. This field is valid only when the UFFQE bit is set.
0	RW	0x0	<b>UFFQE</b> Unicast Address Filter Fail Packets Queuing Enable When this bit is set, the Unicast packets which fail the Destination or Source address filter is routed to the Rx Queue Number programmed in the UFFQ. When this bit is reset, the Unicast packets which fail the Destination or Source address filter is routed based on other routing options. This bit is valid only when the RA bit of the MAC_Packet_Filter register is set. Values: 0x0 (DISABLE): Unicast Address Filter Fail Packets Queuing is disabled 0x1 (ENABLE): Unicast Address Filter Fail Packets Queuing is enabled

**GMAC MAC RxQ Ctrl0**

Address: Operational Base + offset (0x00a0)

Bit	Attr	Reset Value	Description
31:4	RO	0x0000000	reserved
3:2	RW	0x0	<b>RXQ1EN</b> Receive Queue 1 Enable This field is similar to the RXQ0EN field. Values: 0x0 (DISABLE): Queue not enabled 0x1 (EN_AV): Queue enabled for AV 0x2 (EN_DCB_GEN): Queue enabled for DCB/Generic 0x3 (Reserved): Reserved

Bit	Attr	Reset Value	Description
1:0	RW	0x0	<p><b>RXQ0EN</b> Receive Queue 0 Enable This field indicates whether Rx Queue 0 is enabled for AV or DCB. Values: 0x0 (DISABLE): Queue not enabled 0x1 (EN_AV): Queue enabled for AV 0x2 (EN_DCB_GEN): Queue enabled for DCB/Generic 0x3 (Reserved): Reserved Note: In multiple Rx queues configuration, all the queues are disabled by default. Enable the Rx queue by programming the corresponding field in this register.</p>

**GMAC MAC RxQ Ctrl1**

Address: Operational Base + offset (0x00a4)

Bit	Attr	Reset Value	Description
31:27	RO	0x00	reserved
26:24	RW	0x0	<p><b>FPRQ</b> Frame Preemption Residue Queue This field holds the Rx queue number to which the residual preemption frames must be forwarded. Preemption frames that are tagged and pass the SA/DA/VLAN filtering are routed based on PSRQ and all other frames are treated as residual frames and is routed to the queue number mentioned in this field. The Queue-0 is used as a default queue for express frames, so this field cannot be programmed to a value 0.</p>
23:22	RW	0x0	<p><b>TPQC</b> Tagged PTP over Ethernet Packets Queuing Control This field controls the routing of the VLAN Tagged PTPoE packets. If GMAC_AV_ENABLE is selected in the configuration, the following programmable options are allowed. 2'b00: VLAN Tagged PTPoE packets are routed as generic VLAN Tagged packet (based on PSRQ for only non-AV enabled Rx Queues). 2'b01: VLAN Tagged PTPoE packets are routed to Rx Queue specified by PTPQ field (That Rx Queue can be enabled for AV or non-AV traffic). 2'b10: VLAN Tagged PTPoE packets are routed to only AV enabled Rx Queues based on PSRQ. 2'b11: Reserved If GMAC_AV_ENABLE is not selected in the configuration, the following programmable options are allowed. 1'b0: VLAN Tagged PTPoE packets are routed as generic VLAN Tagged packet (based on PSRQ for DCB/Generic enabled Rx Queues). 1'b1: VLAN Tagged PTPoE packets are routed to Rx Queues specified by PTPQ field.</p>

Bit	Attr	Reset Value	Description
21	RW	0x0	<p><b>TACPQE</b> Tagged AV Control Packets Queuing Enable When set, the MAC routes the received Tagged AV Control packets to the Rx queue specified by AVCPQ field. When reset, the MAC routes the received Tagged AV Control packets based on the tag priority matching the PSRQ fields in MAC_RxQ_Ctrl2 and MAC_RxQ_Ctrl3 registers. Values: 0x0 (DISABLE): Tagged AV Control Packets Queuing is disabled 0x1 (ENABLE): Tagged AV Control Packets Queuing is enabled</p>
20	RW	0x0	<p><b>MCBCQEN</b> Multicast and Broadcast Queue Enable This bit specifies that Multicast or Broadcast packets routing to the Rx Queue is enabled and the Multicast or Broadcast packets must be routed to Rx Queue specified in MCBCQ field. Values: 0x0 (DISABLE): Multicast and Broadcast Queue is disabled 0x1 (ENABLE): Multicast and Broadcast Queue is enabled</p>
19	RO	0x0	reserved
18:16	RW	0x0	<p><b>MCBCQ</b> Multicast and Broadcast Queue This field specifies the Rx Queue onto which Multicast or Broadcast Packets are routed. Any Rx Queue enabled for Generic/DCB/AV traffic can be used to route the Multicast or Broadcast Packets. Values: 0x0 (QUEUE0): Receive Queue 0 0x1 (QUEUE1): Receive Queue 1 0x2 (QUEUE2): Receive Queue 2 0x3 (QUEUE3): Receive Queue 3 0x4 (QUEUE4): Receive Queue 4 0x5 (QUEUE5): Receive Queue 5 0x6 (QUEUE6): Receive Queue 6 0x7 (QUEUE7): Receive Queue 7</p>
15	RO	0x0	reserved
14:12	RW	0x0	<p><b>UPQ</b> Untagged Packet Queue This field indicates the Rx Queue to which Untagged Packets are to be routed. Any Rx Queue enabled for Generic/DCB/AV traffic can be used to route the Untagged Packets. Values: 0x0 (QUEUE0): Receive Queue 0 0x1 (QUEUE1): Receive Queue 1 0x2 (QUEUE2): Receive Queue 2 0x3 (QUEUE3): Receive Queue 3 0x4 (QUEUE4): Receive Queue 4 0x5 (QUEUE5): Receive Queue 5 0x6 (QUEUE6): Receive Queue 6 0x7 (QUEUE7): Receive Queue 7</p>
11:7	RO	0x00	reserved

Bit	Attr	Reset Value	Description
6:4	RW	0x0	<p>PTPQ PTP Packets Queue This field specifies the Rx queue on which the PTP packets sent over the Ethernet payload (not over IPv4 or IPv6) are routed. When the AV8021ASMEN bit of MAC_Timestamp_Control register is set, only untagged PTP over Ethernet packets are routed on an Rx Queue. If the bit is not set, then based on programming of TPQC field, both tagged and untagged PTPoE packets can be routed to this Rx Queue.</p> <p>Values: 0x0 (QUEUE0): Receive Queue 0 0x1 (QUEUE1): Receive Queue 1 0x2 (QUEUE2): Receive Queue 2 0x3 (QUEUE3): Receive Queue 3 0x4 (QUEUE4): Receive Queue 4 0x5 (QUEUE5): Receive Queue 5 0x6 (QUEUE6): Receive Queue 6 0x7 (QUEUE7): Receive Queue 7</p>
3	RO	0x0	reserved
2:0	RW	0x0	<p>AVCPQ AV Untagged Control Packets Queue This field specifies the Receive queue on which the received AV tagged and untagged control packets are routed. The AV tagged (when TACPQE bit is set) and untagged control packets are routed to Receive queue specified by this field.</p> <p>Values: 0x0 (QUEUE0): Receive Queue 0 0x1 (QUEUE1): Receive Queue 1 0x2 (QUEUE2): Receive Queue 2 0x3 (QUEUE3): Receive Queue 3 0x4 (QUEUE4): Receive Queue 4 0x5 (QUEUE5): Receive Queue 5 0x6 (QUEUE6): Receive Queue 6 0x7 (QUEUE7): Receive Queue 7</p>

**GMAC MAC RxQ Ctrl2**

Address: Operational Base + offset (0x00a8)

Bit	Attr	Reset Value	Description
31:16	RO	0x0000	reserved
15:8	RW	0x00	<p>PSRQ1 Priorities Selected in the Receive Queue 1 This field decides the priorities assigned to Rx Queue 1. All packets with priorities that match the values set in this field are routed to Rx Queue 1. For example, if PSRQ1[4] is set, packets with USP field equal to 4 are routed to Rx Queue 1. The software must ensure that the content of this field is mutually exclusive to the PSRQ fields for other queues, that is, the same priority is not mapped to multiple Rx queues. When the DCB feature is selected, this field also determines the priorities to be included in the PFC packet sent to remote station when Rx Queue 1 crosses the flow control threshold settings.</p>

Bit	Attr	Reset Value	Description
7:0	RW	0x00	<p><b>PSRQ0</b>                      Priorities Selected in the Receive Queue 0                      This field decides the priorities assigned to Rx Queue 0. All packets with priorities that match the values set in this field are routed to Rx Queue 0. For example, if PSRQ0[5] is set, packets with USP field equal to 5 are routed to Rx Queue 0. The software must ensure that the content of this field is mutually exclusive to the PSRQ fields for other queues, that is, the same priority is not mapped to multiple Rx queues. When the DCB feature is selected, this field also determines the priorities to be included in the PFC packet sent to remote station when Rx Queue 0 crosses the flow control threshold settings.</p>

**GMAC MAC Interrupt Status**

Address: Operational Base + offset (0x00b0)

Bit	Attr	Reset Value	Description
31:21	RO	0x000	reserved
20	RO	0x0	<p><b>MFRIS</b>                      MMC FPE Receive Interrupt Status                      This bit is set high when an interrupt is generated in the MMC FPE Receive Interrupt Register. This bit is cleared when all bits in this interrupt register are cleared. This bit is valid only when you select the Enable MAC Management Counters (MMC) option along with FPE support.                      Values:                      0x0 (INACTIVE): MMC FPE Receive Interrupt status not active                      0x1 (ACTIVE): MMC FPE Receive Interrupt status active</p>
19	RO	0x0	<p><b>MFTIS</b>                      MMC FPE Transmit Interrupt Status                      This bit is set high when an interrupt is generated in the MMC FPE Transmit Interrupt Register. This bit is cleared when all bits in this interrupt register are cleared. This bit is valid only when you select the Enable MAC Management Counters (MMC) option along with FPE support.                      Values:                      0x0 (INACTIVE): MMC FPE Transmit Interrupt status not active                      0x1 (ACTIVE): MMC FPE Transmit Interrupt status active</p>
18	RO	0x0	<p><b>MDIOIS</b>                      MDIO Interrupt Status                      This bit indicates an interrupt event after the completion of MDIO operation. To reset this bit, the application has to read this bit/Write 1 to this bit when RCWE bit of MAC_CSR_SW_Ctrl register is set. Access restriction applies. Clears on read (or write of 1 when RCWE bit in MAC_CSR_SW_Ctrl register is set). Self-set to 1 on internal event.                      Values:                      1'b0: MDIO Interrupt status not active                      1'b1: MDIO Interrupt status active</p>

Bit	Attr	Reset Value	Description
17	RO	0x0	<p>FPEIS Frame Preemption Interrupt Status This bit indicates an interrupt event during the operation of Frame Preemption (Bits[19:16] of MAC_FPE_CTRL_STS register is set). To reset this bit, the application must clear the event in MAC_FPE_CTRL_STS that has caused the Interrupt. Values: 0x0 (INACTIVE): Frame Preemption Interrupt status not active 0x1 (ACTIVE): Frame Preemption Interrupt status active</p>
16:15	RO	0x0	reserved
14	RO	0x0	<p>RXSTSI Receive Status Interrupt This bit indicates the status of received packets. This bit is set when the RWT bit is set in the MAC_Rx_Tx_Status register. This bit is cleared when the corresponding interrupt source bit is read (or corresponding interrupt source bit is written to 1 when RCWE bit of MAC_CSR_SW_Ctrl register is set) in the MAC_Rx_Tx_Status register. Values: 1'b0: Receive Interrupt status not active 1'b1: Receive Interrupt status active</p>
13	RO	0x0	<p>TXSTSI Transmit Status Interrupt This bit indicates the status of transmitted packets. This bit is set when any of the following bits is set in the MAC_Rx_Tx_Status register: 1. Excessive Collision (EXCOL) 2. Late Collision (LCOL) 3. Excessive Deferral (EXDEF) 4. Loss of Carrier (LCARR) 5. No Carrier (NCARR) 6. Jabber Timeout (TJT) This bit is cleared when the corresponding interrupt source bit is read (or corresponding interrupt source bit is written to 1 when RCWE bit of MAC_CSR_SW_Ctrl register is set) in the MAC_Rx_Tx_Status register. Values: 1'b0: Transmit Interrupt status not active 1'b1: Transmit Interrupt status active</p>

Bit	Attr	Reset Value	Description
12	RO	0x0	<p><b>TSIS</b> Timestamp Interrupt Status</p> <p>If the Timestamp feature is enabled, this bit is set when any of the following conditions is true:</p> <ol style="list-style-type: none"> <li>1. The system time value is equal to or exceeds the value specified in the Target Time High and Low registers.</li> <li>2. There is an overflow in the Seconds register.</li> <li>3. The Target Time Error occurred, that is, programmed target time already elapsed.</li> </ol> <p>If the Auxiliary Snapshot feature is enabled, this bit is set when the auxiliary snapshot trigger is asserted. In configurations other than EQOS_CORE, when drop transmit status is enabled in MTL, this bit is set when the captured transmit timestamp is updated in the MAC_Tx_Timestamp_Status_Nanoseconds and MAC_Tx_Timestamp_Status_Seconds registers. When PTP offload feature is enabled, this bit is set when the captured transmit timestamp is updated in the MAC_Tx_Timestamp_Status_Nanoseconds and MAC_Tx_Timestamp_Status_Seconds registers, for PTO generated Delay Request and Pdelay request packets. This bit is cleared when the corresponding interrupt source bit is read (or corresponding interrupt source bit is written to 1 when RCWE bit of MAC_CSR_SW_Ctrl register is set) in the MAC_Timestamp_Status register.</p> <p>Values: 1'b0: Timestamp Interrupt status not active 1'b1: Timestamp Interrupt status active</p>
11	RO	0x0	<p><b>MMCRXIPIS</b> MMC Receive Checksum Offload Interrupt Status</p> <p>This bit is set high when an interrupt is generated in the MMC Receive Checksum Offload Interrupt Register. This bit is cleared when all bits in this interrupt register are cleared. This bit is valid only when you select the Enable MAC Management Counters (MMC) and Enable Receive TCP/IP Checksum Check options.</p> <p>Values: 1'b0: MMC Receive Checksum Offload Interrupt status not active 1'b1: MMC Receive Checksum Offload Interrupt status active</p>
10	RO	0x0	<p><b>MMCTXIS</b> MMC Transmit Interrupt Status</p> <p>This bit is set high when an interrupt is generated in the MMC Transmit Interrupt Register. This bit is cleared when all bits in this interrupt register are cleared. This bit is valid only when you select the Enable MAC Management Counters (MMC) option.</p> <p>Values: 1'b0: MMC Transmit Interrupt status not active 1'b1: MMC Transmit Interrupt status active</p>
9	RO	0x0	<p><b>MMCRXIS</b> MMC Receive Interrupt Status</p> <p>This bit is set high when an interrupt is generated in the MMC Receive Interrupt Register. This bit is cleared when all bits in this interrupt register are cleared. This bit is valid only when you select the Enable MAC Management Counters (MMC) option.</p> <p>Values: 1'b0: MMC Receive Interrupt status not active 1'b1: MMC Receive Interrupt status active</p>

Bit	Attr	Reset Value	Description
8	RO	0x0	<p>MMCIS MMC Interrupt Status This bit is set high when Bit 11, Bit 10, or Bit 9 is set high. This bit is cleared only when all these bits are low. This bit is valid only when you select the Enable MAC Management Counters (MMC) option.</p> <p>Values: 1'b0: MMC Interrupt status not active 1'b1: MMC Interrupt status active</p>
7:6	RO	0x0	reserved
5	RO	0x0	<p>LPIIS LPI Interrupt Status When the Energy Efficient Ethernet feature is enabled, this bit is set for any LPI state entry or exit in the MAC Transmitter or Receiver. This bit is cleared when the corresponding interrupt source bit of MAC_LPI_Control_Status register is read (or corresponding interrupt source bit of MAC_LPI_Control_Status register is written to 1 when RCWE bit of MAC_CSR_SW_Ctrl register is set).</p> <p>Values: 1'b0: LPI Interrupt status not active 1'b1: LPI Interrupt status active</p>
4	RO	0x0	<p>PMTIS PMT Interrupt Status This bit is set when a Magic packet or Wake-on-LAN packet is received in the power-down mode (RWKPRCVD and MGKPRCVD bits in MAC_PMT_Control_Status register). This bit is cleared when corresponding interrupt source bit are cleared because of a Read operation to the MAC_PMT_Control_Status register (or corresponding interrupt source bit of MAC_PMT_Control_Status register is written to 1 when RCWE bit of MAC_CSR_SW_Ctrl register is set).</p> <p>This bit is valid only when you select the Enable Power Management option.</p> <p>Values: 1'b0: PMT Interrupt status not active 1'b1: PMT Interrupt status active</p>
3	RO	0x0	<p>PHYSIS PHY Interrupt This bit is set when rising edge is detected on the phy_intr_i input. This bit is cleared when this register is read (or this bit is written to 1 when RCWE bit of MAC_CSR_SW_Ctrl register is set).</p> <p>Values: 1'b0: PHY Interrupt not detected 1'b1: PHY Interrupt detected</p>
2:1	RO	0x0	reserved



Bit	Attr	Reset Value	Description
0	RO	0x0	<p><b>RGSMIIIS</b>                      RGMII or SMII Interrupt Status                      This bit is set because of any change in value of the Link Status of RGMII or SMII interface (LNKSTS bit in MAC_PHYIF_Control_Status register). This bit is cleared when the MAC_PHYIF_Control_Status register is read (or LNKSTS bit of MAC_PHYIF_Control_Status register is written to 1 when RCWE bit of MAC_CSR_SW_Ctrl register is set). This bit is valid only when you select the optional RGMII or SMII PHY interface.                      Values:                      1'b0: RGMII or SMII Interrupt Status is not active                      1'b1: RGMII or SMII Interrupt Status is active</p>

**GMAC MAC Interrupt Enable**

Address: Operational Base + offset (0x00b4)

Bit	Attr	Reset Value	Description
31:19	RO	0x0000	reserved
18	RW	0x0	<p><b>MDIOIE</b>                      MDIO Interrupt Enable                      When this bit is set, it enables the assertion of the interrupt when MDIOIS field is set in the MAC_Interrupt_Status register.                      Values:                      1'b0: MDIO Interrupt is disabled                      1'b1: MDIO Interrupt is enabled</p>
17	RW	0x0	<p><b>FPEIE</b>                      Frame Preemption Interrupt Enable                      When this bit is set, it enables the assertion of the interrupt when FPEIS field is set in the MAC_Interrupt_Status register.                      Values:                      0x0 (DISABLE): Frame Preemption Interrupt is disabled                      0x1 (ENABLE): Frame Preemption Interrupt is enabled</p>
16:15	RO	0x0	reserved
14	RW	0x0	<p><b>RXSTSIE</b>                      Receive Status Interrupt Enable                      When this bit is set, it enables the assertion of the interrupt signal because of the setting of RXSTISIS bit in the MAC_Interrupt_Status register.                      Values:                      1'b0: Receive Status Interrupt is disabled                      1'b1: Receive Status Interrupt is enabled</p>
13	RW	0x0	<p><b>TXSTSIE</b>                      Transmit Status Interrupt Enable                      When this bit is set, it enables the assertion of the interrupt signal because of the setting of TXSTISIS bit in the MAC_Interrupt_Status register.                      Values:                      1'b0: Timestamp Status Interrupt is disabled                      1'b1: Timestamp Status Interrupt is enabled</p>

Bit	Attr	Reset Value	Description
12	RW	0x0	<p>TSIE Timestamp Interrupt Enable When this bit is set, it enables the assertion of the interrupt signal because of the setting of TSIS bit in MAC_Interrupt_Status register. Values: 1'b0: Timestamp Interrupt is disabled 1'b1: Timestamp Interrupt is enabled</p>
11:6	RO	0x00	reserved
5	RW	0x0	<p>LPIIE LPI Interrupt Enable When this bit is set, it enables the assertion of the interrupt signal because of the setting of LPIIS bit in MAC_Interrupt_Status register. Values: 1'b0: LPI Interrupt is disabled 1'b1: LPI Interrupt is enabled</p>
4	RW	0x0	<p>PMTIE PMT Interrupt Enable When this bit is set, it enables the assertion of the interrupt signal because of the setting of PMTIS bit in MAC_Interrupt_Status register. Values: 1'b0: PMT Interrupt is disabled 1'b1: PMT Interrupt is enabled</p>
3	RW	0x0	<p>PHYIE PHY Interrupt Enable When this bit is set, it enables the assertion of the interrupt signal because of the setting of PHYIS bit in MAC_Interrupt_Status register. Values: 1'b0: PHY Interrupt is disabled 1'b1: PHY Interrupt is enabled</p>
2:1	RO	0x0	reserved
0	RW	0x0	<p>RGSMIIIE RGMII or SMII Interrupt Enable When this bit is set, it enables the assertion of the interrupt signal because of the setting of RGSMIIIS bit in MAC_Interrupt_Status register. Values: 1'b0: RGMII or SMII Interrupt is disabled 1'b1: RGMII or SMII Interrupt is enabled</p>

**GMAC MAC Rx Tx Status**

Address: Operational Base + offset (0x00b8)

Bit	Attr	Reset Value	Description
31:9	RO	0x000000	reserved

Bit	Attr	Reset Value	Description
8	RO	0x0	<p>RWT Receive Watchdog Timeout This bit is set when a packet with length greater than 2,048 bytes is received (10, 240 bytes when Jumbo Packet mode is enabled) and the WD bit is reset in the MAC_Configuration register. This bit is set when a packet with length greater than 16,383 bytes is received and the WD bit is set in the MAC_Configuration register. Access restriction applies. Clears on read (or write of 1 when RCWE bit in MAC_CSR_SW_Ctrl register is set). Self-set to 1 on internal event. Values: 1'b0: No receive watchdog timeout 1'b1: Receive watchdog timed out</p>
7:6	RO	0x0	reserved
5	RO	0x0	<p>EXCOL Excessive Collisions When the DTXSTS bit is set in the MTL_Operation_Mode register, this bit indicates that the transmission aborted after 16 successive collisions while attempting to transmit the current packet. If the DR bit is set in the MAC_Configuration register, this bit is set after the first collision and the packet transmission is aborted. Access restriction applies. Clears on read (or write of 1 when RCWE bit in MAC_CSR_SW_Ctrl register is set). Self-set to 1 on internal event. Values: 1'b0: No collision 1'b1: Excessive collision is sensed</p>
4	RO	0x0	<p>LCOL Late Collision When the DTXSTS bit is set in the MTL_Operation_Mode register, this bit indicates that the packet transmission aborted because a collision occurred after the collision window (64 bytes including Preamble in MII mode; 512 bytes including Preamble and Carrier Extension in GMII mode). This bit is not valid if the Underflow error occurs. Access restriction applies. Clears on read (or write of 1 when RCWE bit in MAC_CSR_SW_Ctrl register is set). Self-set to 1 on internal event. Values: 1'b0: No collision 1'b1: Late collision is sensed</p>
3	RO	0x0	<p>EXDEF Excessive Deferral When the DTXSTS bit is set in the MTL_Operation_Mode register and the DC bit is set in the MAC_Configuration register, this bit indicates that the transmission ended because of excessive deferral of over 24,288 bit times (155,680 in 1000/2500 Mbps mode or when Jumbo packet is enabled). Access restriction applies. Clears on read (or write of 1 when RCWE bit in MAC_CSR_SW_Ctrl register is set). Self-set to 1 on internal event. Values: 1'b0: No Excessive deferral 1'b1: Excessive deferral</p>

Bit	Attr	Reset Value	Description
2	RO	0x0	<p>LCARR Loss of Carrier When the DTXSTS bit is set in the MTL_Operation_Mode register, this bit indicates that the loss of carrier occurred during packet transmission, that is, the phy_crs_i signal was inactive for one or more transmission clock periods during packet transmission. This bit is valid only for packets transmitted without collision. Access restriction applies. Clears on read (or write of 1 when RCWE bit in MAC_CSR_SW_Ctrl register is set). Self-set to 1 on internal event. Values: 1'b0: Carrier is present 1'b1: Loss of carrier</p>
1	RO	0x0	<p>NCARR No Carrier When the DTXSTS bit is set in the MTL_Operation_Mode register, this bit indicates that the carrier signal from the PHY is not present at the end of preamble transmission. Access restriction applies. Clears on read (or write of 1 when RCWE bit in MAC_CSR_SW_Ctrl register is set). Self-set to 1 on internal event. Values: 1'b0: Carrier is present 1'b1: No carrier</p>
0	RO	0x0	<p>TJT Transmit Jabber Timeout This bit indicates that the Transmit Jabber Timer expired which happens when the packet size exceeds 2,048 bytes (10,240 bytes when the Jumbo packet is enabled) and JD bit is reset in the MAC_Configuration register. This bit is set when the packet size exceeds 16,383 bytes and the JD bit is set in the MAC_Configuration register. Access restriction applies. Clears on read (or write of 1 when RCWE bit in MAC_CSR_SW_Ctrl register is set). Self-set to 1 on internal event. Values: 1'b0: No Transmit Jabber Timeout 1'b1: Transmit Jabber Timeout occur</p>

**GMAC MAC PMT Control Status**

Address: Operational Base + offset (0x00c0)

Bit	Attr	Reset Value	Description
31	RW	0x0	<p>RWKFILTRST Remote Wake-Up Packet Filter Register Pointer Reset When this bit is set, the remote wake-up packet filter register pointer is reset to 3'b000. It is automatically cleared after 1 clock cycle. Access restriction applies. Setting 1 sets. Self-cleared. Setting 0 has no effect. Values: 1'b0: Remote Wake-Up Packet Filter Register Pointer is not Reset 1'b1: Remote Wake-Up Packet Filter Register Pointer is Reset</p>
30:29	RO	0x0	reserved

Bit	Attr	Reset Value	Description
28:24	RO	0x00	<p><b>RWKPTR</b> Remote Wake-up FIFO Pointer This field gives the current value (0 to 7, 15, or 31 when 4, 8, or 16 Remote Wake-up Packet Filters are selected) of the Remote Wake-up Packet Filter register pointer. When the value of this pointer is equal to maximum for the selected number of Remote Wake-up Packet Filters, the contents of the Remote Wake-up Packet Filter Register are transferred to the clk_rx_i domain when a Write occurs to that register.</p>
23:11	RO	0x0000	reserved
10	RW	0x0	<p><b>RWKPFE</b> Remote Wake-up Packet Forwarding Enable When this bit is set along with RWKPKTEN, the MAC receiver drops all received frames until it receives the expected Wake-up frame. All frames after that event including the received wake-up frame are forwarded to application. This bit is then self-cleared on receiving the wake-up packet. The application can also clear this bit before the expected wake-up frame is received. In such cases, the MAC reverts to the default behavior where packets received are forwarded to the application. This bit must only be set when RWKPKTEN is set high and PWRDWN is set low. The setting of this bit has no effect when PWRDWN is set high. Note: If Magic Packet Enable and Wake-Up Frame Enable are both set along with setting of this bit and Magic Packet is received prior to wake-up frame, this bit is self-cleared on receiving Magic Packet, the received Magic packet is dropped, and all frames after received Magic Packet are forwarded to application. Access restriction applies. Setting 1 sets. Self-cleared. Setting 0 has no effect. Values: 1'b0: Remote Wake-up Packet Forwarding is disabled 1'b1: Remote Wake-up Packet Forwarding is enabled</p>
9	RW	0x0	<p><b>GLBLUCAST</b> Global Unicast When this bit set, any unicast packet filtered by the MAC (DAF) address recognition is detected as a remote wake-up packet. Values: 1'b0: Global unicast is disabled 1'b1: Global unicast is enabled</p>
8:7	RO	0x0	reserved
6	RO	0x0	<p><b>RWKPRCVD</b> Remote Wake-Up Packet Received When this bit is set, it indicates that the power management event is generated because of the reception of a remote wake-up packet. This bit is cleared when this register is read. Access restriction applies. Clears on read (or write of 1 when RCWE bit in MAC_CSR_SW_Ctrl register is set). Self-set to 1 on internal event. Values: 1'b0: Remote wake-up packet is received 1'b1: Remote wake-up packet is received</p>

Bit	Attr	Reset Value	Description
5	RO	0x0	<p><b>MGKPRCVD</b>                      Magic Packet Received                      When this bit is set, it indicates that the power management event is generated because of the reception of a magic packet. This bit is cleared when this register is read.                      Access restriction applies. Clears on read (or write of 1 when RCWE bit in MAC_CSR_SW_Ctrl register is set). Self-set to 1 on internal event.                      Values:                      1'b0: No Magic packet is received                      1'b1: Magic packet is received</p>
4:3	RO	0x0	reserved
2	RW	0x0	<p><b>RWKPKTEN</b>                      Remote Wake-Up Packet Enable                      When this bit is set, a power management event is generated when the MAC receives a remote wake-up packet.                      Values:                      1'b0: Remote wake-up packet is disabled                      1'b1: Remote wake-up packet is enabled</p>
1	RW	0x0	<p><b>MGKPKTEN</b>                      Magic Packet Enable                      When this bit is set, a power management event is generated when the MAC receives a magic packet.                      Values:                      1'b0: Magic Packet is disabled                      1'b1: Magic Packet is enabled</p>
0	RW	0x0	<p><b>PWRDWN</b>                      Power Down                      When this bit is set, the MAC receiver drops all received packets until it receives the expected magic packet or remote wake-up packet. This bit is then self-cleared and the power-down mode is disabled. The software can clear this bit before the expected magic packet or remote wake-up packet is received. The packets received by the MAC after this bit is cleared are forwarded to the application. This bit must only be set when the Magic Packet Enable, Global Unicast, or Remote Wake-Up Packet Enable bit is set high.                      Note: You can gate-off the CSR clock during the power-down mode. However, when the CSR clock is gated-off, you cannot perform any read or write operations on this register. Therefore, the Software cannot clear this bit. Access restriction applies. Setting 1 sets. Self-cleared. Setting 0 has no effect.                      Values:                      1'b0: Power down is disabled                      1'b1: Power down is enabled</p>

**GMAC MAC RWK Packet Filter**

Address: Operational Base + offset (0x00c4)

Bit	Attr	Reset Value	Description
31:0	RW	0x00000000	<p>WKUPFRMFTTR(cont.)</p> <p>(4) If filters chained by And_Previous bit setting have complementary programming, then a frame may never pass the AND chained filter. For example, if Filter 2 And_Previous bit is set (bit 1 in Filter 2 command is set), Filter 1 Address_Type bit is set (bit 3 in Filter 1 command is set) indicating multicast detection and Filter 2 Address_Type bit is reset (bit 3 in Filter 2 command is reset) indicating unicast detection or vice versa, a remote wakeup frame does not pass the AND chained filter as a remote wakeup frame cannot be of both unicast and multicast address type.</p> <p>4. Bit 0 is the enable for filter i. If Bit 0 is not set, filter i is disabled.</p> <p>Filter i Byte Mask: The filter i byte mask register defines the bytes of the packet that are examined by filter i (0, 1, 2, 3, .., 15) to determine whether or not a packet is a wake-up packet.</p> <ol style="list-style-type: none"> <li>1. The MSB (31st bit) must be zero.</li> <li>2. Bit j[30:0] is the byte mask.</li> <li>3. If Bit j (byte number) of the byte mask is set, the CRC block processes the Filter i Offset + j of the incoming packet; otherwise Filter i Offset + j is ignored.</li> </ol> <p>Filter i Offset: The filter i offset register defines the offset (within the packet) from which the filter i examines the packets.</p> <ol style="list-style-type: none"> <li>1. This 8-bit pattern-offset is the offset for the filter i first byte to be examined.</li> <li>2. The minimum allowed offset is 12, which refers to the 13th byte of the packet.</li> <li>3. The offset value 0 refers to the first byte of the packet.</li> </ol> <p>Filter i CRC-16: The filter i CRC-16 register contains the CRC-16 value calculated from the pattern and the byte mask programmed in the Remote Wakeup filter register.</p> <ol style="list-style-type: none"> <li>1. The 16-bit CRC calculation uses the following polynomial: <math>G(x) = x^{16} + x^{15} + x^2 + 1</math></li> <li>2. Each mask, used in the hash function calculation, is compared with a 16-bit value associated with that mask. Each filter has the following: <ol style="list-style-type: none"> <li>(1) 32-bit Mask: Each bit in this mask corresponds to one byte in the detected packet. If the bit is 1, the corresponding byte is taken into the CRC16 calculation.</li> <li>(2) 8-bit Offset Pointer: Specifies the byte to start the CRC-16 computation. The pointer and the mask are used together to locate the bytes to be used in the CRC-16 calculations.</li> </ol> </li> </ol>

Bit	Attr	Reset Value	Description
31:0	RW	0x00000000	<p><b>WKUPFRMFTR</b>  <b>RWK Packet Filter</b>                      This field contains the various controls of RWK Packet filter. When the Remote Wakeup Filters are to be programmed, the entire set of wkuppktfilter_reg registers must be written. The wkuppktfilter_reg register is programmed by sequentially writing the eight, sixteen or thirty-two register values in MAC_RWK_Packet_Filter register for wkuppktfilter_reg0, wkuppktfilter_reg1, ..., wkuppktfilter_reg31 respectively. The wkuppktfilter_reg register is read in a similar way. The MAC updates the wkuppktfilter_reg register current pointer value in RWKPTR field of MAC_PMT_Control_Status register. The Remote Wakeup Filters are arranged in blocks of 4 filters each and each such block have eight 32-bit wide registers, viz. wkuppktfilter_reg0-7, wkuppktfilter_reg8-15, wkuppktfilter_reg16-23 and wkuppktfilter_reg24-31. The fields of Remote Wakeup Filter are described as follows:                      Filter i Command: The 4-bit filter i command controls the filter i operation.</p> <ol style="list-style-type: none"> <li>1. Bit 3 specifies the address type, defining the destination address type of the pattern. When the bit is set, the pattern applies to only multicast packets; when the bit is reset, the pattern applies only to unicast packet.</li> <li>2. Bit 2 (Inverse Mode), when set, reverses the logic of the CRC16 hash function signal, to reject a packet with matching CRC-16 value. Bit 2, along with Bit 1, allows a MAC to reject a subset of remote wake-up packets by creating filter logic such as "Pattern 1 AND NOT Pattern 2".</li> <li>3. Bit 1 (And_Previous) implements the Boolean logic. When set, the result of the current entry is logically ANDed with the result of the previous filter. This AND logic allows a filter pattern longer than 32 bytes by splitting the mask among two, three, or four filters. This depends on the number of filters that have the And_Previous bit set. The details are provided below:                             <ol style="list-style-type: none"> <li>(1) The And_Previous bit setting is applicable within a set of 4 filters.</li> <li>(2) Setting of And_Previous bit of filter that is not enabled has no effect, that is setting And_Previous bit of lowest number filter in the set of 4 filters has no effect. For example, setting of And_Previous bit of Filter 0 has no effect.</li> <li>(3) If And_Previous bit is set for filter to form AND chained filter, the AND chain breaks at the point any filter is not enabled. For example: If Filter 2 And_Previous bit is set (bit 1 in Filter 2 command is set) but Filter 1 is not enabled (bit 0 in Filter 1 command is reset), then only Filter 2 result is considered. If Filter 2 And_Previous bit is set (bit 1 in Filter 2 command is set), Filter 3 And_Previous bit is set (bit 1 in Filter 3 command is set), but Filter 1 is not enabled (bit 0 in Filter 1 command is reset), then only Filter 2 result ANDed with Filter 3 result is considered. If Filter 2 And_Previous bit is set (bit 1 in Filter 2 command is set), Filter 3 And_Previous bit is set (bit 1 in Filter 3 command is set), but Filter 2 is not enabled (bit 0 in Filter 2 command is reset), then since setting of Filter 2 And_Previous bit has no effect only Filter 1 result ORed with Filter 3 result is considered.</li> </ol> </li> </ol>

**GMAC\_RWK\_Filter0\_Byte\_Mask**



Address: Operational Base + offset (0x00c4)

Bit	Attr	Reset Value	Description
31:0	RW	0x00000000	Filter0_Byte_Mask Filter0 32-bit Mask Each bit in this mask corresponds to one byte in the detected packet. If the bit is 1', the corresponding byte is taken into the CRC16 calculation.

**GMAC RWK Filter1 Byte Mask**

Address: Operational Base + offset (0x00c4)

Bit	Attr	Reset Value	Description
31:0	RW	0x00000000	Filter1_Byte_Mask Filter1 32-bit Mask Each bit in this mask corresponds to one byte in the detected packet. If the bit is 1', the corresponding byte is taken into the CRC16 calculation.

**GMAC RWK Filter2 Byte Mask**

Address: Operational Base + offset (0x00c4)

Bit	Attr	Reset Value	Description
31:0	RW	0x00000000	Filter2_Byte_Mask Filter2 32-bit Mask Each bit in this mask corresponds to one byte in the detected packet. If the bit is 1', the corresponding byte is taken into the CRC16 calculation.

**GMAC RWK Filter3 Byte Mask**

Address: Operational Base + offset (0x00c4)

Bit	Attr	Reset Value	Description
31:0	RW	0x00000000	Filter3_Byte_Mask Filter3 32-bit Mask Each bit in this mask corresponds to one byte in the detected packet. If the bit is 1', the corresponding byte is taken into the CRC16 calculation.

**GMAC RWK Filter01 CRC**

Address: Operational Base + offset (0x00c4)

Bit	Attr	Reset Value	Description
31:16	RW	0x0000	Filter1_CRC Filter1 CRC-16 This filter CRC-16 contains the CRC_16 value of the pattern. The 16-bit CRC calculation uses the following polynomial: $G(x) = x^{16} + x^{15} + x^2 + 1$
15:0	RW	0x0000	Filter0_CRC Filter0 CRC-16 This filter CRC-16 contains the CRC_16 value of the pattern. The 16-bit CRC calculation uses the following polynomial: $G(x) = x^{16} + x^{15} + x^2 + 1$

**GMAC RWK Filter23 CRC**

Address: Operational Base + offset (0x00c4)

Bit	Attr	Reset Value	Description
31:16	RW	0x0000	Filter3_CRC Filter3 CRC-16 This filter CRC-16 contains the CRC_16 value of the pattern. The 16-bit CRC calculation uses the following polynomial: $G(x) = x^{16} + x^{15} + x^2 + 1$
15:0	RW	0x0000	Filter2_CRC Filter2 CRC-16 This filter CRC-16 contains the CRC_16 value of the pattern. The 16-bit CRC calculation uses the following polynomial: $G(x) = x^{16} + x^{15} + x^2 + 1$

**GMAC RWK Filter Offset**

Address: Operational Base + offset (0x00c4)

Bit	Attr	Reset Value	Description
31:24	RW	0x00	Filter3_Offset Filter3 Offset This filter offset defines the offset (within the packet) from which the filter examines the packets. 1. This 8-bit pattern-offset is the offset for the filter first byte to be examined. 2. The minimum allowed offset is 12, which refers to the 13th byte of the packet. 3. The offset value 0 refers to the first byte of the packet.
23:16	RW	0x00	Filter2_Offset Filter2 Offset This filter offset defines the offset (within the packet) from which the filter examines the packets. 1. This 8-bit pattern-offset is the offset for the filter first byte to be examined. 2. The minimum allowed offset is 12, which refers to the 13th byte of the packet. 3. The offset value 0 refers to the first byte of the packet.
15:8	RW	0x00	Filter1_Offset Filter1 Offset This filter offset defines the offset (within the packet) from which the filter examines the packets. 1. This 8-bit pattern-offset is the offset for the filter first byte to be examined. 2. The minimum allowed offset is 12, which refers to the 13th byte of the packet. 3. The offset value 0 refers to the first byte of the packet.
7:0	RW	0x00	Filter0_Offset Filter0 Offset This filter offset defines the offset (within the packet) from which the filter examines the packets. 1. This 8-bit pattern-offset is the offset for the filter first byte to be examined. 2. The minimum allowed offset is 12, which refers to the 13th byte of the packet. 3. The offset value 0 refers to the first byte of the packet.

**GMAC RWK Filter Command**

Address: Operational Base + offset (0x00c4)

Bit	Attr	Reset Value	Description
31:28	RO	0x0	reserved

Bit	Attr	Reset Value	Description
27:24	RW	0x0	<p>Filter3_Command Filter3 Command</p> <p>The 4-bit filter command controls the filter operation.</p> <ol style="list-style-type: none"> <li>1. Bit 3 specifies the address type, defining the destination address type of the pattern. When the bit is set, the pattern applies to only multicast packets; when the bit is reset, the pattern applies only to unicast packet.</li> <li>2. Bit 2 (Inverse Mode), when set, reverses the logic of the CRC16 hash function signal, to reject a packet with matching CRC_16 value.</li> <li>3. Bit 2, along with Bit 1, allows a MAC to reject a subset of remote wake-up packets by creating filter logic such as "Pattern 1 AND NOT Pattern 2".</li> <li>4. Bit 1 (And_Previous) implements the Boolean logic. When set, the result of the current entry is logically ANDed with the result of the previous filter. This AND logic allows a filter pattern longer than 32 bytes by splitting the mask among two, three, or four filters. This depends on the number of filters that have the And_Previous bit set.</li> <li>5. Bit 0 is the enable for filter. If Bit 0 is not set, filter is disabled.</li> </ol>
23:20	RO	0x0	reserved
19:16	RW	0x0	<p>Filter2_Command Filter2 Command</p> <p>The 4-bit filter command controls the filter operation.</p> <ol style="list-style-type: none"> <li>1. Bit 3 specifies the address type, defining the destination address type of the pattern. When the bit is set, the pattern applies to only multicast packets; when the bit is reset, the pattern applies only to unicast packet.</li> <li>2. Bit 2 (Inverse Mode), when set, reverses the logic of the CRC16 hash function signal, to reject a packet with matching CRC_16 value.</li> <li>3. Bit 2, along with Bit 1, allows a MAC to reject a subset of remote wake-up packets by creating filter logic such as "Pattern 1 AND NOT Pattern 2".</li> <li>4. Bit 1 (And_Previous) implements the Boolean logic. When set, the result of the current entry is logically ANDed with the result of the previous filter. This AND logic allows a filter pattern longer than 32 bytes by splitting the mask among two, three, or four filters. This depends on the number of filters that have the And_Previous bit set.</li> <li>5. Bit 0 is the enable for filter. If Bit 0 is not set, filter is disabled.</li> </ol>
15:12	RO	0x0	reserved

Bit	Attr	Reset Value	Description
11:8	RW	0x0	<p>Filter1_Command Filter1 Command</p> <p>The 4-bit filter command controls the filter operation.</p> <ol style="list-style-type: none"> <li>1. Bit 3 specifies the address type, defining the destination address type of the pattern. When the bit is set, the pattern applies to only multicast packets; when the bit is reset, the pattern applies only to unicast packet.</li> <li>2. Bit 2 (Inverse Mode), when set, reverses the logic of the CRC16 hash function signal, to reject a packet with matching CRC_16 value.</li> <li>3. Bit 2, along with Bit 1, allows a MAC to reject a subset of remote wake-up packets by creating filter logic such as "Pattern 1 AND NOT Pattern 2".</li> <li>4. Bit 1 (And_Previous) implements the Boolean logic. When set, the result of the current entry is logically ANDed with the result of the previous filter. This AND logic allows a filter pattern longer than 32 bytes by splitting the mask among two, three, or four filters. This depends on the number of filters that have the And_Previous bit set.</li> <li>5. Bit 0 is the enable for filter. If Bit 0 is not set, filter is disabled.</li> </ol>
7:4	RO	0x0	reserved
3:0	RW	0x0	<p>Filter0_Command Filter0 Command</p> <p>The 4-bit filter command controls the filter operation.</p> <ol style="list-style-type: none"> <li>1. Bit 3 specifies the address type, defining the destination address type of the pattern. When the bit is set, the pattern applies to only multicast packets; when the bit is reset, the pattern applies only to unicast packet.</li> <li>2. Bit 2 (Inverse Mode), when set, reverses the logic of the CRC16 hash function signal, to reject a packet with matching CRC_16 value.</li> <li>3. Bit 2, along with Bit 1, allows a MAC to reject a subset of remote wake-up packets by creating filter logic such as "Pattern 1 AND NOT Pattern 2".</li> <li>4. Bit 1 (And_Previous) implements the Boolean logic. When set, the result of the current entry is logically ANDed with the result of the previous filter. This AND logic allows a filter pattern longer than 32 bytes by splitting the mask among two, three, or four filters. This depends on the number of filters that have the And_Previous bit set.</li> <li>5. Bit 0 is the enable for filter. If Bit 0 is not set, filter is disabled.</li> </ol>

**GMAC MAC LPI Control Status**

Address: Operational Base + offset (0x00d0)

Bit	Attr	Reset Value	Description
31:22	RO	0x000	reserved

Bit	Attr	Reset Value	Description
21	RW	0x0	<p><b>LPITCSE</b> LPI Tx Clock Stop Enable When this bit is set, the MAC asserts <code>sb_d_tx_clk_gating_ctrl_o</code> signal high after it enters Tx LPI mode to indicate that the Tx clock to MAC can be stopped. When this bit is reset, the MAC does not assert <code>sb_d_tx_clk_gating_ctrl_o</code> signal high after it enters Tx LPI mode. If RGMII Interface is selected, the Tx clock is required for transmitting the LPI pattern. The Tx Clock cannot be gated and so the LPITCSE bit cannot be programmed. Values: 1'b0: LPI Tx Clock Stop is disabled 1'b1: LPI Tx Clock Stop is enabled</p>
20	RW	0x0	<p><b>LPIATE</b> LPI Timer Enable This bit controls the automatic entry of the MAC Transmitter into and exit out of the LPI state. When LPIATE, LPITXA and LPIEN bits are set, the MAC Transmitter enters LPI state only when the complete MAC TX data path is IDLE for a period indicated by the <code>MAC_LPI_Entry_Timer</code> register. After entering LPI state, if the data path becomes non-IDLE (due to a new packet being accepted for transmission), the Transmitter exits LPI state but does not clear LPIEN bit. This enables the re-entry into LPI state when it is IDLE again. When LPIATE is 0, the LPI Auto timer is disabled and MAC Transmitter enters LPI state based on the settings of LPITXA and LPIEN bit descriptions. Values: 1'b0: LPI Timer is disabled 1'b1: LPI Timer is enabled</p>
19	RW	0x0	<p><b>LPITXA</b> LPI Tx Automate This bit controls the behavior of the MAC when it is entering or coming out of the LPI mode on the Transmit side. This bit is not functional in the EQOS-CORE configurations in which the Tx clock gating is done during the LPI mode. If the LPITXA and LPIEN bits are set to 1, the MAC enters the LPI mode only after all outstanding packets (in the core) and pending packets (in the application interface) have been transmitted. The MAC comes out of the LPI mode when the application sends any packet for transmission or the application issues a Tx FIFO Flush command. In addition, the MAC automatically clears the LPIEN bit when it exits the LPI state. If Tx FIFO Flush is set in the FTQ bit of <code>MTL_TxQ0_Operation_Mode</code> register, when the MAC is in the LPI mode, it exits the LPI mode. When this bit is 0, the LPIEN bit directly controls behavior of the MAC when it is entering or coming out of the LPI mode. Values: 1'b0: LPI Tx Automate is disabled 1'b1: LPI Tx Automate is enabled</p>

Bit	Attr	Reset Value	Description
18	RW	0x0	<p>PLSEN PHY Link Status Enable</p> <p>This bit enables the link status received on the RGMII, SGMII, or SMII Receive paths to be used for activating the LPI LS TIMER. When this bit is set, the MAC uses the link-status bits of the MAC_PHYIF_Control_Status register and the PLS bit for the LPI LS Timer trigger. When this bit is reset, the MAC ignores the link-status bits of the MAC_PHYIF_Control_Status register and takes only the PLS bit.</p> <p>Values: 1'b0: PHY Link Status is disabled 1'b1: PHY Link Status is enabled</p>
17	RW	0x0	<p>PLS PHY Link Status</p> <p>This bit indicates the link status of the PHY. The MAC Transmitter asserts the LPI pattern only when the link status is up (OKAY) at least for the time indicated by the LPI LS TIMER. When this bit is set, the link is considered to be okay (UP) and when this bit is reset, the link is considered to be down.</p> <p>Values: 1'b0: link is down 1'b1: link is okay (UP)</p>
16	RW	0x0	<p>LPIEN LPI Enable</p> <p>When this bit is set, it instructs the MAC Transmitter to enter the LPI state. When this bit is reset, it instructs the MAC to exit the LPI state and resume normal transmission. This bit is cleared when the LPITXA bit is set and the MAC exits the LPI state because of the arrival of a new packet for transmission.</p> <p>Values: 1'b0: LPI state is disabled 1'b1: LPI state is enabled</p>
15:10	RO	0x00	reserved
9	RO	0x0	<p>RLPIST Receive LPI State</p> <p>When this bit is set, it indicates that the MAC is receiving the LPI pattern on the GMII or MII interface.</p> <p>Values: 1'b0: Receive LPI state not detected 1'b1: Receive LPI state detected</p>
8	RO	0x0	<p>TLPIST Transmit LPI State</p> <p>When this bit is set, it indicates that the MAC is transmitting the LPI pattern on the GMII or MII interface.</p> <p>Values: 1'b0: Transmit LPI state not detected 1'b1: Transmit LPI state detected</p>
7:4	RO	0x0	reserved

Bit	Attr	Reset Value	Description
3	RW	0x0	<p>RLPIEX Receive LPI Exit</p> <p>When this bit is set, it indicates that the MAC Receiver has stopped receiving the LPI pattern on the GMII or MII interface, exited the LPI state, and resumed the normal reception. This bit is cleared by a read into this register (or this bit is written to 1 when RCWE bit in MAC_CSR_SW_Ctrl register is set).</p> <p>Note: This bit may not be set if the MAC stops receiving the LPI pattern for a very short duration, such as, less than three clock cycles of CSR clock.</p> <p>Values: 1'b0: Receive LPI exit not detected 1'b1: Receive LPI exit detected</p>
2	RO	0x0	<p>RLPIEN Receive LPI Entry</p> <p>When this bit is set, it indicates that the MAC Receiver has received an LPI pattern and entered the LPI state. This bit is cleared by a read into this register (or this bit is written to 1 when RCWE bit in MAC_CSR_SW_Ctrl register is set).</p> <p>Note: This bit may not be set if the MAC stops receiving the LPI pattern for a very short duration, such as, less than three clock cycles of CSR clock.</p> <p>Values: 1'b0: Receive LPI entry not detected 1'b1: Receive LPI entry detected</p>
1	RO	0x0	<p>TLPIEX Transmit LPI Exit</p> <p>When this bit is set, it indicates that the MAC transmitter exited the LPI state after the application cleared the LPIEN bit and the LPI TW Timer has expired. This bit is cleared by a read into this register (or this bit is written to 1 when RCWE bit in MAC_CSR_SW_Ctrl register is set).</p> <p>Values: 1'b0: Transmit LPI exit not detected 1'b1: Transmit LPI exit detected</p>
0	RO	0x0	<p>TLPIEN Transmit LPI Entry</p> <p>When this bit is set, it indicates that the MAC Transmitter has entered the LPI state because of the setting of the LPIEN bit. This bit is cleared by a read into this register (or this bit is written to 1 when RCWE bit in MAC_CSR_SW_Ctrl register is set).</p> <p>Values: 1'b0: Transmit LPI entry not detected 1'b1: Transmit LPI entry detected</p>

**GMAC MAC LPI Timers Control**

Address: Operational Base + offset (0x00d4)

Bit	Attr	Reset Value	Description
31:26	RO	0x00	reserved

Bit	Attr	Reset Value	Description
25:16	RW	0x3e8	LST LPI LS Timer This field specifies the minimum time (in milliseconds) for which the link status from the PHY should be up (OKAY) before the LPI pattern can be transmitted to the PHY. The MAC does not transmit the LPI pattern even when the LPIEN bit is set unless the LPI LS Timer reaches the programmed terminal count. The default value of the LPI LS Timer is 1000 (1 sec) as defined in the IEEE standard.
15:0	RW	0x0000	TWT LPI TW Timer This field specifies the minimum time (in microseconds) for which the MAC waits after it stops transmitting the LPI pattern to the PHY and before it resumes the normal transmission. The TLPIEX status bit is set after the expiry of this timer.

**GMAC MAC LPI Entry Timer**

Address: Operational Base + offset (0x00d8)

Bit	Attr	Reset Value	Description
31:20	RO	0x000	reserved
19:3	RW	0x00000	LPIET LPI Entry Timer This field specifies the time in microseconds the MAC waits to enter LPI mode, after it has transmitted all the frames. This field is valid and used only when LPITE and LPITXA are set to 1. Bits [2:0] are read-only so that the granularity of this timer is in steps of 8 micro-seconds.

**GMAC MAC 1US Tic Counter**

Address: Operational Base + offset (0x00dc)

Bit	Attr	Reset Value	Description
31:12	RO	0x00000	reserved
11:0	RW	0x03f	TIC_1US_CNTR 1US TIC Counter The application must program this counter so that the number of clock cycles of CSR clock is 1us. (Subtract 1 from the value before programming). For example if the CSR clock is 100MHz then this field needs to be programmed to value 100 - 1 = 99 (which is 0x63). This is required to generate the 1US events that are used to update some of the EEE related counters.

**GMAC MAC PHYIF Control Status**

Address: Operational Base + offset (0x00f8)

Bit	Attr	Reset Value	Description
31:20	RO	0x000	reserved
19	RO	0x0	LNKSTS Link Status This bit indicates whether the link is up (1'b1) or down (1'b0). Values: 1'b0: Link down 1'b1: Link up



Bit	Attr	Reset Value	Description
18:17	RO	0x0	LNKSPEED Link Speed This bit indicates the current speed of the link. Bit 2 is reserved when the MAC is configured for the SMII PHY interface. Values: 2'b00: 2.5 MHz 2'b01: 25 MHz 2'b10: 125 MHz 2'b11: Reserved
16	RO	0x0	LNKMOD Link Mode This bit indicates the current mode of operation of the link. Values: 1'b0: Half-duplex mode 1'b1: Full-duplex mode
15:2	RO	0x0000	reserved
1	RW	0x0	LUD Link Up or Down This bit indicates whether the link is up or down during transmission of configuration in the RGMII, SGMII, or SMII interface. Values: 1'b0: Link down 1'b1: Link up
0	RW	0x0	TC Transmit Configuration in RGMII, SGMII, or SMII When set, this bit enables the transmission of duplex mode, link speed, and link up or down information to the PHY in the RGMII, SMII, or SGMII port. When this bit is reset, no such information is driven to the PHY. The details of this feature are provided in the following sections: 1. "Reduced Gigabit Media Independent Interface" 2. "Serial Media Independent Interface" 3. "Serial Gigabit Media Independent Interface" Values: 1'b0: Disable Transmit Configuration in RGMII, SGMII, or SMII 1'b1: Enable Transmit Configuration in RGMII, SGMII, or SMII

**GMAC MAC Version**

Address: Operational Base + offset (0x0110)

Bit	Attr	Reset Value	Description
31:16	RO	0x0000	reserved
15:8	RW	0x30	USERVER User-defined Version
7:0	RW	0x51	RKVER Rockchip-defined Version

**GMAC MAC Debug**

Address: Operational Base + offset (0x0114)

Bit	Attr	Reset Value	Description
31:19	RO	0x0000	reserved

Bit	Attr	Reset Value	Description
18:17	RO	0x0	<p>TFCSTS MAC Transmit Packet Controller Status This field indicates the state of the MAC Transmit Packet Controller module. Values: 2'b00: Idle state 2'b01: Waiting for one of the following: Status of the previous packet OR IPG or back off period to be over 2'b10: Generating and transmitting a Pause control packet (in full-duplex mode) 2'b11: Transferring input packet for transmission</p>
16	RO	0x0	<p>TPESTS MAC GMII or MII Transmit Protocol Engine Status When this bit is set, it indicates that the MAC GMII or MII transmit protocol engine is actively transmitting data, and it is not in the Idle state. Values: 1'b0: MAC GMII or MII Transmit Protocol Engine Status not detected 1'b1: MAC GMII or MII Transmit Protocol Engine Status detected</p>
15:3	RO	0x0000	reserved
2:1	RO	0x0	<p>RFCFCSTS MAC Receive Packet Controller FIFO Status When this bit is set, this field indicates the active state of the small FIFO Read and Write controllers of the MAC Receive Packet Controller module.</p>
0	RO	0x0	<p>RPESTS MAC GMII or MII Receive Protocol Engine Status When this bit is set, it indicates that the MAC GMII or MII receive protocol engine is actively receiving data, and it is not in the Idle state. Values: 1'b0: MAC GMII or MII Receive Protocol Engine Status not detected 1'b1: MAC GMII or MII Receive Protocol Engine Status detected</p>

**GMAC MAC HW Feature0**

Address: Operational Base + offset (0x011c)

Bit	Attr	Reset Value	Description
31:28	RO	0x1	<p>ACTPHYSEL Active PHY Selected When you have multiple PHY interfaces in your configuration, this field indicates the sampled value of phy_intf_sel_i during reset de-assertion. Values: 4'b0000: GMII or MII 4'b0001: RGMII 4'b0010: SGMII 4'b0011: TBI 4'b0100: RMII 4'b0101: RTBI 4'b0110: SMII 4'b0111: RevMII</p>

Bit	Attr	Reset Value	Description
27	RO	0x1	<p>SAVLANINS Source Address or VLAN Insertion Enable This bit is set to 1 when the Enable SA and VLAN Insertion on Tx option is selected. Values: 1'b0: Source Address or VLAN Insertion Enable option is not selected 1'b1: Source Address or VLAN Insertion Enable option is selected</p>
26:25	RO	0x0	<p>TSSTSSEL Timestamp System Time Source This bit indicates the source of the Timestamp system time: This bit is set to 1 when the Enable IEEE 1588 Timestamp Support option is selected. Values: 2'b00: Internal 2'b01: External 2'b10: Both 2'b11: Reserved</p>
24	RO	0x0	<p>MACADR64SEL MAC Addresses 64-127 Selected This bit is set to 1 when the Enable Additional 64 MAC Address Registers (64-127) option is selected. Values: 1'b0: MAC Addresses 64-127 Select option is not selected 1'b1: MAC Addresses 64-127 Select option is selected</p>
23	RO	0x0	<p>MACADR32SEL MAC Addresses 32-63 Selected This bit is set to 1 when the Enable Additional 32 MAC Address Registers (32-63) option is selected. Values: 1'b0: MAC Addresses 32-63 Select option is not selected 1'b1: MAC Addresses 32-63 Select option is selected</p>
22:18	RO	0x04	<p>ADDMACADRSEL MAC Addresses 1-31 Selected This bit is set to 1 when the non-zero value is selected for Enable Additional 1-31 MAC Address Registers option.</p>
17	RO	0x0	reserved
16	RO	0x1	<p>RXCOESEL Receive Checksum Offload Enabled This bit is set to 1 when the Enable Receive TCP/IP Checksum Check option is selected. Values: 1'b0: Receive Checksum Offload Enable option is not selected 1'b1: Receive Checksum Offload Enable option is selected</p>
15	RO	0x0	reserved
14	RO	0x1	<p>TXCOESEL Transmit Checksum Offload Enabled This bit is set to 1 when the Enable Transmit TCP/IP Checksum Insertion option is selected. Values: 1'b0: Transmit Checksum Offload Enable option is not selected 1'b1: Transmit Checksum Offload Enable option is selected</p>

Bit	Attr	Reset Value	Description
13	RO	0x1	<p>EESESEL Energy Efficient Ethernet Enabled This bit is set to 1 when the Enable Energy Efficient Ethernet (EEE) option is selected. Values: 1'b0: Energy Efficient Ethernet Enable option is not selected 1'b1: Energy Efficient Ethernet Enable option is selected</p>
12	RO	0x1	<p>TSSEL IEEE 1588-2008 Timestamp Enabled This bit is set to 1 when the Enable IEEE 1588 Timestamp Support option is selected. Values: 1'b0: IEEE 1588-2008 Timestamp Enable option is not selected. 1'b1: IEEE 1588-2008 Timestamp Enable option is selected.</p>
11:10	RO	0x0	reserved
9	RO	0x1	<p>ARPOFFSEL ARP Offload Enabled This bit is set to 1 when the Enable IPv4 ARP Offload option is selected. Values: 1'b0: ARP Offload Enable option is not selected 1'b1: ARP Offload Enable option is selected</p>
8	RO	0x1	<p>MMCSEL RMON Module Enable This bit is set to 1 when the Enable MAC Management Counters (MMC) option is selected. Values: 1'b0: RMON Module Enable option is not selected 1'b1: RMON Module Enable option is selected</p>
7	RO	0x1	<p>MGKSEL PMT Magic Packet Enable This bit is set to 1 when the Enable Magic Packet Detection option is selected. Values: 1'b0: PMT Magic Packet Enable option is not selected 1'b1: PMT Magic Packet Enable option is selected</p>
6	RO	0x1	<p>RWKSEL PMT Remote Wake-up Packet Enable This bit is set to 1 when the Enable Remote Wake-Up Packet Detection option is selected. Values: 1'b0: PMT Remote Wake-up Packet Enable option is not selected 1'b1: PMT Remote Wake-up Packet Enable option is selected</p>
5	RO	0x1	<p>SMASEL SMA (MDIO) Interface This bit is set to 1 when the Enable Station Management (MDIO Interface) option is selected. Values: 1'b0: SMA (MDIO) Interface not selected 1'b1: SMA (MDIO) Interface selected</p>

Bit	Attr	Reset Value	Description
4	RO	0x1	<p><b>VLHASH</b>                      VLAN Hash Filter Selected                      This bit is set to 1 when the Enable VLAN Hash Table Based Filtering option is selected.                      Values:                      1'b0: VLAN Hash Filter not selected                      1'b1: VLAN Hash Filter selected</p>
3	RO	0x0	<p><b>PCSSEL</b>                      PCS Registers (TBI, SGMII, or RTBI PHY interface)                      This bit is set to 1 when the TBI, SGMII, or RTBI PHY interface option is selected.                      Values:                      1'b0: No PCS Registers (TBI, SGMII, or RTBI PHY interface)                      1'b1: PCS Registers (TBI, SGMII, or RTBI PHY interface)</p>
2	RO	0x0	<p><b>HDSEL</b>                      Half-duplex Support                      This bit is set to 1 when the half-duplex mode is selected.                      Values:                      1'b0: No Half-duplex support                      1'b1: Half-duplex support</p>
1	RO	0x1	<p><b>GMIISEL</b>                      1000 Mbps Support                      This bit is set to 1 when 1000 Mbps is selected as the Mode of Operation.                      Values:                      1'b0: No 1000 Mbps support                      1'b1: 1000 Mbps support</p>
0	RO	0x1	<p><b>MIISEL</b>                      10 or 100 Mbps Support                      This bit is set to 1 when 10/100 Mbps is selected as the Mode of Operation.                      Values:                      1'b0: No 10 or 100 Mbps support                      1'b1: 10 or 100 Mbps support</p>

**GMAC MAC HW Feature1**

Address: Operational Base + offset (0x0120)

Bit	Attr	Reset Value	Description
31	RO	0x0	reserved
30:27	RO	0x2	<p><b>L3L4FNUM</b>                      Total number of L3 or L4 Filters                      This field indicates the total number of L3 or L4 filters:                      Values:                      4'b0000: No L3 or L4 Filter                      4'b0001: 1 L3 or L4 Filter                      4'b0010: 2 L3 or L4 Filters                      4'b0011: 3 L3 or L4 Filters                      4'b0100: 4 L3 or L4 Filters                      4'b0101: 5 L3 or L4 Filters                      4'b0110: 6 L3 or L4 Filters                      4'b0111: 7 L3 or L4 Filters                      4'b1000: 8 L3 or L4 Filters</p>
26	RO	0x0	reserved

Bit	Attr	Reset Value	Description
25:24	RO	0x1	<b>HASHTBLSZ</b> Hash Table Size This field indicates the size of the hash table: Values: 2'b00: No hash table 2'b01: 64 2'b10: 128 2'b11: 256
23	RO	0x0	<b>POUOST</b> One Step for PTP over UDP/IP Feature Enable This bit is set to 1 when the Enable One step timestamp for PTP over UDP/IP feature is selected. Values: 1'b0: One Step for PTP over UDP/IP Feature is not selected 1'b1: One Step for PTP over UDP/IP Feature is selected
22	RO	0x0	reserved
21	RO	0x0	<b>RAVSEL</b> Rx Side Only AV Feature Enable This bit is set to 1 when the Enable Audio Video Bridging option on Rx Side Only is selected. Values: 1'b0: Rx Side Only AV Feature is not selected 1'b1: Rx Side Only AV Feature is selected
20	RO	0x1	<b>AVSEL</b> AV Feature Enable This bit is set to 1 when the Enable Audio Video Bridging option is selected. Values: 1'b0: AV Feature is not selected 1'b1: AV Feature is selected
19	RO	0x1	<b>DBGMEMA</b> DMA Debug Registers Enable This bit is set to 1 when the Debug Mode Enable option is selected. Values: 1'b0: DMA Debug Registers option is not selected 1'b1: DMA Debug Registers option is selected
18	RO	0x1	<b>TSOEN</b> TCP Segmentation Offload Enable This bit is set to 1 when the Enable TCP Segmentation Offloading for TCP/IP Packets option is selected. Values: 1'b0: TCP Segmentation Offload Feature is not selected 1'b1: TCP Segmentation Offload Feature is selected
17	RO	0x1	<b>SPHEN</b> Split Header Feature Enable This bit is set to 1 when the Enable Split Header Structure option is selected. Values: 1'b0: Split Header Feature is not selected 1'b1: Split Header Feature is selected

Bit	Attr	Reset Value	Description
16	RO	0x0	<p>DCBEN DCB Feature Enable This bit is set to 1 when the Enable Data Center Bridging option is selected. Values: 1'b0: DCB Feature is not selected 1'b1: DCB Feature is selected</p>
15:14	RO	0x0	<p>ADDR64 Address Width This field indicates the configured address width: Values: 2'b00: 32 2'b01: 40 2'b10: 48 2'b11: Reserved</p>
13	RO	0x0	<p>ADVTHWORD IEEE 1588 High Word Register Enable This bit is set to 1 when the Add IEEE 1588 Higher Word Register option is selected. Values: 1'b0: IEEE 1588 High Word Register option is not selected 1'b1: IEEE 1588 High Word Register option is selected</p>
12	RO	0x0	<p>PTOEN PTP Offload Enable This bit is set to 1 when the Enable PTP Timestamp Offload Feature is selected. Values: 1'b0: PTP Offload feature is not selected 1'b1: PTP Offload feature is selected</p>
11	RO	0x0	<p>OSTEN One-Step Timestamping Enable This bit is set to 1 when the Enable One-Step Timestamp Feature is selected. Values: 1'b0: One-Step Timestamping feature is not selected 1'b1: One-Step Timestamping feature is selected</p>
10:6	RO	0x07	<p>TXFIFOSIZE MTL Transmit FIFO Size This field contains the configured value of MTL Tx FIFO in bytes expressed as Log to base 2 minus 7, that is, <math>\text{Log}_2(\text{TXFIFO\_SIZE}) - 7</math>: Values: 5'b00000: 128 bytes 5'b00001: 256 bytes 5'b00010: 512 bytes 5'b00011: 1024 bytes 5'b00100: 2048 bytes 5'b00101: 4096 bytes 5'b00110: 8192 bytes 5'b00111: 16384 bytes 5'b01000: 32 KB 5'b01001: 64 KB 5'b01010: 128 KB 5'b01011: Reserved</p>

Bit	Attr	Reset Value	Description
5	RO	0x1	<p>SPRAM Single Port RAM Enable This bit is set to 1 when the Use single port RAM Feature is selected. Values: 1'b0: Single Port RAM feature is not selected 1'b1: Single Port RAM feature is selected</p>
4:0	RO	0x08	<p>RXFIFOSIZE MTL Receive FIFO Size This field contains the configured value of MTL Rx FIFO in bytes expressed as Log to base 2 minus 7, that is, <math>\text{Log}_2(\text{RXFIFO\_SIZE}) - 7</math>: Values: 5'b00000: 128 bytes 5'b00001: 256 bytes 5'b00010: 512 bytes 5'b00011: 1024 bytes 5'b00100: 2048 bytes 5'b00101: 4096 bytes 5'b00110: 8192 bytes 5'b00111: 16384 bytes 5'b01000: 32 KB 5'b01001: 64 KB 5'b01010: 128 KB 5'b01011: 256 KB 5'b01100: Reserved</p>

**GMAC MAC HW Feature2**

Address: Operational Base + offset (0x0124)

Bit	Attr	Reset Value	Description
31	RO	0x0	reserved
30:28	RO	0x1	<p>AUXSNAPNUM Number of Auxiliary Snapshot Inputs This field indicates the number of auxiliary snapshot inputs: Values: 3'b000: No auxiliary input 3'b001: 1 auxiliary input 3'b010: 2 auxiliary input 3'b011: 3 auxiliary input 3'b100: 4 auxiliary input 3'b101: Reserved</p>
27	RO	0x0	reserved
26:24	RO	0x1	<p>PPSOUTNUM Number of PPS Outputs This field indicates the number of PPS outputs: Values: 3'b000: No PPS output 3'b001: 1 PPS output 3'b010: 2 PPS output 3'b011: 3 PPS output 3'b100: 4 PPS output 3'b101: Reserved</p>
23:22	RO	0x0	reserved



Bit	Attr	Reset Value	Description
21:18	RO	0x1	<p><b>TXCHCNT</b>                      Number of DMA Transmit Channels                      This field indicates the number of DMA Transmit channels:                      Values:                      4'b0000: 1 MTL Tx Channel                      4'b0001: 2 MTL Tx Channels                      4'b0010: 3 MTL Tx Channels                      4'b0011: 4 MTL Tx Channels                      4'b0100: 5 MTL Tx Channels                      4'b0101: 6 MTL Tx Channels                      4'b0110: 7 MTL Tx Channels                      4'b0111: 8 MTL Tx Channels</p>
17:16	RO	0x0	reserved
15:12	RO	0x1	<p><b>RXCHCNT</b>                      Number of DMA Receive Channels                      This field indicates the number of DMA Receive channels:                      Values:                      4'b0000: 1 MTL Rx Channel                      4'b0001: 2 MTL Rx Channels                      4'b0010: 3 MTL Rx Channels                      4'b0011: 4 MTL Rx Channels                      4'b0100: 5 MTL Rx Channels                      4'b0101: 6 MTL Rx Channels                      4'b0110: 7 MTL Rx Channels                      4'b0111: 8 MTL Rx Channels</p>
11:10	RO	0x0	reserved
9:6	RO	0x1	<p><b>TXQCNT</b>                      Number of MTL Transmit Queues                      This field indicates the number of MTL Transmit queues:                      Values:                      4'b0000: 1 MTL Tx Queue                      4'b0001: 2 MTL Tx Queues                      4'b0010: 3 MTL Tx Queues                      4'b0011: 4 MTL Tx Queues                      4'b0100: 5 MTL Tx Queues                      4'b0101: 6 MTL Tx Queues                      4'b0110: 7 MTL Tx Queues                      4'b0111: 8 MTL Tx Queues</p>
5:4	RO	0x0	reserved
3:0	RO	0x1	<p><b>RXQCNT</b>                      Number of MTL Receive Queues                      This field indicates the number of MTL Receive queues:                      Values:                      4'b0000: 1 MTL Rx Queue                      4'b0001: 2 MTL Rx Queues                      4'b0010: 3 MTL Rx Queues                      4'b0011: 4 MTL Rx Queues                      4'b0100: 5 MTL Rx Queues                      4'b0101: 6 MTL Rx Queues                      4'b0110: 7 MTL Rx Queues                      4'b0111: 8 MTL Rx Queues</p>

**GMAC MAC HW Feature3**

Address: Operational Base + offset (0x0128)

Bit	Attr	Reset Value	Description
31:30	RO	0x0	reserved
29:28	RO	0x0	<p>ASP Automotive Safety Package Following are the encoding for the different Safety features. Values: 2'b00: No Safety features selected 2'b01: Only "ECC protection for external memory" feature is selected 2'b10: All the Automotive Safety features are selected without the "Parity Port Enable for external interface" feature 2'b11: All the Automotive Safety features are selected with the "Parity Port Enable for external interface" feature</p>
27	RO	0x1	<p>TBSSEL Time Based Scheduling Enable This bit is set to 1 when the Time Based Scheduling feature is selected. Values: 1'b0: Time Based Scheduling Enable feature is not selected 1'b1: Time Based Scheduling Enable feature is selected</p>
26	RO	0x1	<p>FPESEL Frame Preemption Enable This bit is set to 1 when the Enable Frame preemption feature is selected. Values: 1'b0: Frame Preemption Enable feature is not selected 1'b1: Frame Preemption Enable feature is selected</p>
25:22	RO	0x0	reserved
21:20	RO	0x3	<p>ESTWID Width of the Time Interval field in the Gate Control List This field indicates the width of the Configured Time Interval Field. Values: 2'b00: Width not configured 2'b01: 16 2'b10: 20 2'b11: 24</p>
19:17	RW	0x3	<p>ESTDEP Depth of the Gate Control List This field indicates the depth of Gate Control list expressed as <math>\text{Log}_2(\text{GMAC\_EST\_DEP})-5</math>. Values: 3'b000: No Depth configured 3'b001: 64 3'b010: 128 3'b011: 256 3'b100: 512 3'b101: 1024 3'b110: Reserved</p>

Bit	Attr	Reset Value	Description
16	RO	0x1	<p><b>ESTSEL</b>                      Enhancements to Scheduling Traffic Enable                      This bit is set to 1 when the Enable Enhancements to Scheduling Traffic feature is selected.                      Values:                      1'b0: Enable Enhancements to Scheduling Traffic feature is not selected                      1'b1: Enable Enhancements to Scheduling Traffic feature is selected</p>
15	RO	0x0	reserved
14:13	RO	0x0	<p><b>FRPES</b>                      Flexible Receive Parser Table Entries size                      This field indicates the Max Number of Parser Entries supported by Flexible Receive Parser.                      Values:                      2'b00: 64 Entries                      2'b01: 128 Entries                      2'b10: 256 Entries                      2'b11: Reserved</p>
12:11	RO	0x0	<p><b>FRPBS</b>                      Flexible Receive Parser Buffer size                      This field indicates the supported Max Number of bytes of the packet data to be Parsed by Flexible Receive Parser.                      Values:                      2'b00: 64 Bytes                      2'b01: 128 Bytes                      2'b10: 256 Bytes                      2'b11: Reserved</p>
10	RO	0x0	<p><b>FRPSEL</b>                      Flexible Receive Parser Selected                      This bit is set to 1 when the Enable Flexible Programmable Receive Parser option is selected.                      Values:                      1'b0: Flexible Receive Parser feature is not selected                      1'b1: Flexible Receive Parser feature is selected</p>
9	RO	0x0	<p><b>PDUPSEL</b>                      Broadcast/Multicast Packet Duplication                      This bit is set to 1 when the Broadcast/Multicast Packet Duplication feature is selected.                      Values:                      1'b0: Broadcast/Multicast Packet Duplication feature is not selected                      1'b1: Broadcast/Multicast Packet Duplication feature is selected</p>
8:6	RO	0x0	reserved
5	RO	0x1	<p><b>DVLAN</b>                      Double VLAN Tag Processing Selected                      This bit is set to 1 when the Enable Double VLAN Processing Feature is selected.                      Values:                      1'b0: Double VLAN option is not selected                      1'b1: Double VLAN option is selected</p>

Bit	Attr	Reset Value	Description
4	RO	0x1	<p><b>CBTISEL</b> Queue/Channel based VLAN tag insertion on Tx Enable This bit is set to 1 when the Enable Queue/Channel based VLAN tag insertion on Tx Feature is selected. Values: 1'b0: Enable Queue/Channel based VLAN tag insertion on Tx feature is not selected 1'b1: Enable Queue/Channel based VLAN tag insertion on Tx feature is selected</p>
3	RO	0x0	reserved
2:0	RO	0x1	<p><b>NRVF</b> Number of Extended VLAN Tag Filters Enabled This field indicates the Number of Extended VLAN Tag Filters selected: Values: 3'b000: No Extended Rx VLAN Filters 3'b001: 4 Extended Rx VLAN Filters 3'b010: 8 Extended Rx VLAN Filters 3'b011: 16 Extended Rx VLAN Filters 3'b100: 24 Extended Rx VLAN Filters 3'b101: 32 Extended Rx VLAN Filters 3'b110: Reserved</p>

**GMAC MAC MDIO Address**

Address: Operational Base + offset (0x0200)

Bit	Attr	Reset Value	Description
31:28	RO	0x0	reserved
27	RW	0x0	<p><b>PSE</b> Preamble Suppression Enable When this bit is set, the SMA suppresses the 32-bit preamble and transmits MDIO frames with only 1 preamble bit. When this bit is 0, the MDIO frame always has 32 bits of preamble as defined in the IEEE specifications. Values: 1'b0: Preamble Suppression disabled 1'b1: Preamble Suppression enabled</p>
26	RW	0x0	<p><b>BTB</b> Back to Back transactions When this bit is set and the NTC has value greater than 0, then the MAC informs the completion of a read or write command at the end of frame transfer (before the trailing clocks are transmitted). The software can thus initiate the next command which is executed immediately irrespective of the number trailing clocks generated for the previous frame. When this bit is reset, then the read/write command completion (GB is cleared) only after the trailing clocks are generated. In this mode, it is ensured that the NTC is always generated after each frame. This bit must not be set when NTC=0. Values: 1'b0: Back to Back transactions disabled 1'b1: Back to Back transactions enabled</p>

Bit	Attr	Reset Value	Description
25:21	RW	0x00	<p>PA Physical Layer Address</p> <p>This field indicates which Clause 22 PHY devices (out of 32 devices) the MAC is accessing. For RevMII, this field gives the PHY Address of the RevMII module. This field indicates which Clause 45 capable PHYs (out of 32 PHYs) the MAC is accessing.</p>
20:16	RW	0x00	<p>RDA Register/Device Address</p> <p>These bits select the PHY register in selected Clause 22 PHY device. For RevMII, these bits select the CSR register in the RevMII Registers set. These bits select the Device (MMD) in selected Clause 45 capable PHY.</p>
15	RO	0x0	reserved
14:12	RW	0x0	<p>NTC Number of Trailing Clocks</p> <p>This field controls the number of trailing clock cycles generated on gmii_mdc_o (MDC) after the end of transmission of MDIO frame. The valid values can be from 0 to 7. Programming the value to 3'h3 indicates that there are additional three clock cycles on the MDC line after the end of MDIO frame transfer.</p>
11:8	RW	0x0	<p>CR CSR Clock Range</p> <p>The CSR Clock Range selection determines the frequency of the MDC clock according to the CSR clock frequency used in your design:</p> <p>4'b0000: CSR clock = 60-100 MHz; MDC clock = CSR clock/42                      4'b0001: CSR clock = 100-150 MHz; MDC clock = CSR clock/62                      4'b0010: CSR clock = 20-35 MHz; MDC clock = CSR clock/16                      4'b0011: CSR clock = 35-60 MHz; MDC clock = CSR clock/26                      4'b0100: CSR clock = 150-250 MHz; MDC clock = CSR clock/102                      4'b0101: CSR clock = 250-300 MHz; MDC clock = CSR clock/124                      4'b0110: CSR clock = 300-500 MHz; MDC clock = CSR clock/204                      4'b0111: CSR clock = 500-800 MHz; MDC clock = CSR clock/324</p> <p>The suggested range of CSR clock frequency applicable for each value (when Bit 11 = 0) ensures that the MDC clock is approximately between 1.0 MHz to 2.5 MHz frequency range. When Bit 11 is set, you can achieve a higher frequency of the MDC clock than the frequency limit of 2.5 MHz (specified in the IEEE 802.3) and program a clock divider of lower value. For example, when CSR clock is of 100 MHz frequency and you program these bits as 1010, the resultant MDC clock is of 12.5 MHz which is above the range specified in IEEE 802.3. Program the following values only if the interfacing chips support faster MDC clocks:</p> <p>4'b1000: CSR clock/4                      4'b1001: CSR clock/6                      4'b1010: CSR clock/8                      4'b1011: CSR clock/10                      4'b1100: CSR clock/12                      4'b1101: CSR clock/14                      4'b1110: CSR clock/16                      4'b1111: CSR clock/18</p> <p>These bits are not used for accessing RevMII. These bits are read-only if the RevMII interface is selected as single PHY interface.</p>
7:5	RO	0x0	reserved

Bit	Attr	Reset Value	Description
4	RW	0x0	<p>SKAP Skip Address Packet</p> <p>When this bit is set, the SMA does not send the address packets before read, write, or post-read increment address packets. This bit is valid only when C45E is set.</p> <p>Values: 1'b0: Skip Address Packet is disabled 1'b1: Skip Address Packet is enabled</p>
3	RW	0x0	<p>GOC_1 GMII Operation Command 1</p> <p>This bit is higher bit of the operation command to the PHY or RevMII, GOC_1 and GOC_0 is encoded as follows: 2'b00: Reserved 2'b01: Write 2'b10: Post Read Increment Address for Clause 45 PHY 2'b11: Read</p> <p>When Clause 22 PHY or RevMII is enabled, only Write and Read commands are valid.</p> <p>Values: 1'b0: GMII Operation Command 1 is disabled 1'b1: GMII Operation Command 1 is enabled</p>
2	RW	0x0	<p>GOC_0 GMII Operation Command 0</p> <p>This is the lower bit of the operation command to the PHY or RevMII. When in SMA mode (MDIO master) this bit along with GOC_1 determines the operation to be performed to the PHY. When only RevMII is selected in configuration this bit is read-only and tied to 1.</p> <p>Values: 1'b0: GMII Operation Command 0 is disabled 1'b1: GMII Operation Command 0 is enabled</p>
1	RW	0x0	<p>C45E Clause 45 PHY Enable</p> <p>When this bit is set, Clause 45 capable PHY is connected to MDIO. When this bit is reset, Clause 22 capable PHY is connected to MDIO.</p> <p>Values: 1'b0: Clause 45 PHY is disabled 1'b1: Clause 45 PHY is enabled</p>

Bit	Attr	Reset Value	Description
0	RW	0x0	<p>GB GMII Busy</p> <p>The application sets this bit to instruct the SMA to initiate a Read or Write access to the MDIO slave. The MAC clears this bit after the MDIO frame transfer is completed. Hence the software must not write or change any of the fields in MAC_MDIO_Address and MAC_MDIO_Data registers as long as this bit is set.</p> <p>For write transfers, the application must first write 16-bit data in the GDI field (and also RA field when C45E is set) in MAC_MDIO_Data register before setting this bit. When C45E is set, it should also write into the RA field of MAC_MDIO_Data register before initiating a read transfer. When a read transfer is completed (GB=0), the data read from the PHY register is valid in the GD field of the MAC_MDIO_Data register.</p> <p>Note: Even if the addressed PHY is not present, there is no change in the functionality of this bit. Access restriction applies. Setting 1 sets. Self-cleared. Setting 0 has no effect.</p> <p>Values: 1'b0: GMII Busy is disabled 1'b1: GMII Busy is enabled</p>

**GMAC MAC MDIO Data**

Address: Operational Base + offset (0x0204)

Bit	Attr	Reset Value	Description
31:17	RO	0x0000	reserved
16	RW	0x0	<p>RA Register Address</p> <p>This field is valid only when C45E is set. It contains the Register Address in the PHY to which the MDIO frame is intended for.</p>
15:0	RW	0x0000	<p>GD GMII Data</p> <p>This field contains the 16-bit data value read from the PHY or RevMII after a Management Read operation or the 16-bit data value to be written to the PHY or RevMII before a Management Write operation.</p>

**GMAC MAC ARP Address**

Address: Operational Base + offset (0x0210)

Bit	Attr	Reset Value	Description
31:0	RW	0x00000000	<p>ARPPA ARP Protocol Address</p> <p>This field contains the IPv4 Destination Address of the MAC. This address is used for perfect match with the Protocol Address of Target field in the received ARP packet.</p> <p>This field is available only when the Enable IPv4 ARP Offload option is selected.</p>

**GMAC MAC CSR SW Ctrl**

Address: Operational Base + offset (0x0230)

Bit	Attr	Reset Value	Description
31:1	RO	0x00000000	reserved

Bit	Attr	Reset Value	Description
0	RW	0x0	<p>RCWE Register Clear on Write 1 Enable When this bit is set, the access mode of some register fields changes to Clear on Write 1, the application needs to set that respective bit to 1 to clear it. When this bit is reset, the access mode of these register fields remain as Clear on Read. Values: 1'b0: Register Clear on Write 1 is disabled 1'b1: Register Clear on Write 1 is enabled</p>

**GMAC MAC FPE CTRL STS**

Address: Operational Base + offset (0x0234)

Bit	Attr	Reset Value	Description
31:20	RO	0x000	reserved
19	RW	0x0	<p>TRSP Transmitted Respond Frame Set when a Respond mPacket is transmitted (triggered by setting SRSP field). An interrupt can be generated for this event if FPEIE bit of MAC_Interrupt_Enable is set. Access restriction applies. Clears on read (or write of 1 when RCWE bit in MAC_CSR_SW_Ctrl register is set). Self-set to 1 on internal event. Values: 0x0 (INACTIVE): Not transmitted Respond Frame 0x1 (ACTIVE): transmitted Respond Frame</p>
18	RW	0x0	<p>TVER Transmitted Verify Frame Set when a Verify mPacket is transmitted (triggered by setting SVER field). An interrupt can be generated for this event if FPEIE bit of MAC_Interrupt_Enable is set. Access restriction applies. Clears on read (or write of 1 when RCWE bit in MAC_CSR_SW_Ctrl register is set). Self-set to 1 on internal event. Values: 0x0 (INACTIVE): Not transmitted Verify Frame 0x1 (ACTIVE): transmitted Verify Frame</p>
17	RW	0x0	<p>RRSP Received Respond Frame Set when a Respond mPacket is received. An interrupt can be generated for this event if FPEIE bit of MAC_Interrupt_Enable is set. Access restriction applies. Clears on read (or write of 1 when RCWE bit in MAC_CSR_SW_Ctrl register is set). Self-set to 1 on internal event. Values: 0x0 (INACTIVE): Not received Respond Frame 0x1 (ACTIVE): Received Respond Frame</p>



Bit	Attr	Reset Value	Description
16	RW	0x0	<p><b>RVER</b> Received Verify Frame Set when a Verify mPacket is received. An interrupt can be generated for this event if FPEIE bit of MAC_Interrupt_Enable is set.</p> <p>Access restriction applies. Clears on read (or write of 1 when RCWE bit in MAC_CSR_SW_Ctrl register is set). Self-set to 1 on internal event.</p> <p>Values: 0x0 (INACTIVE): Not received Verify Frame 0x1 (ACTIVE): Received Verify Frame</p>
15:4	RO	0x000	reserved
3	RW	0x0	<p><b>S1_SET_0</b> Reserved, Must be set to "0". This field is reserved for Internal use, and must always be set to "0" unless instructed by Rockchip. Setting to "1" might cause unexpected behavior in the IP.</p>
2	RW	0x0	<p><b>SRSP</b> Send Respond mPacket When set indicates hardware to send a Respond mPacket. Reset by hardware after sending the Respond mPacket. Access restriction applies. Setting 1 sets. Self-cleared. Setting 0 has no effect.</p> <p>Values: 0x0 (DISABLE): Send Respond mPacket is disabled 0x1 (ENABLE): Send Respond mPacket is enabled</p>
1	RW	0x0	<p><b>SVER</b> Send Verify mPacket When set indicates hardware to send a verify mPacket. Reset by hardware after sending the Verify mPacket.</p> <p>Access restriction applies. Setting 1 sets. Self-cleared. Setting 0 has no effect.</p> <p>Values: 0x0 (DISABLE): Send Verify mPacket is disabled 0x1 (ENABLE): Send Verify mPacket is enabled</p>
0	RW	0x0	<p><b>EFPE</b> Enable Tx Frame Preemption When set Frame Preemption Tx functionality is enabled.</p> <p>Values: 0x0 (DISABLE): Tx Frame Preemption is disabled 0x1 (ENABLE): Tx Frame Preemption is enabled</p>

**GMAC MAC Ext Cfg1**

Address: Operational Base + offset (0x0238)

Bit	Attr	Reset Value	Description
31:10	RO	0x000000	reserved

Bit	Attr	Reset Value	Description
9:8	RW	0x0	<b>SPLM</b> Split Mode These bits indicate the mode of splitting the incoming Rx packets. Values: 0x0 (L3L4): Split at L3/L4 header 0x1 (L2OFST): Split at L2 header with an offset. Always Split at SPLOFST bytes from the beginning of Length/Type field of the Frame 0x2 (COMBN): Combination mode: Split similar to SPLM=00 for IP packets that are untagged or tagged and VLAN stripped 0x3 (Reserved): Reserved
7	RO	0x0	reserved
6:0	RW	0x00	<b>SPLOFST</b> Split Offset These bits indicate the value of offset from the beginning of Length/Type field at which header split should take place when the appropriate SPLM is selected. The reset value of this field is 2 bytes indicating a split at L2 header. Value is in terms of bytes.

**GMAC MAC Presn Time ns**

Address: Operational Base + offset (0x0240)

Bit	Attr	Reset Value	Description
31:21	RO	0x000	reserved
20:0	RO	0x000000	<b>MPTN</b> MAC 1722 Presentation Time in ns These bits indicate the value of the 32-bit binary rollover equivalent time of the PTP System Time in ns.

**GMAC MAC Presn Time Updt**

Address: Operational Base + offset (0x0244)

Bit	Attr	Reset Value	Description
31:0	RW	0x00000000	<b>MPTU</b> MAC 1722 Presentation Time Update This field holds the init value or the update value for the presentation time. When used for update, this field holds the 32-bit value in ns, that should be added to the Current Presentation Time Counter value. Init happens when TSINIT is set, and update happens when the TSUPDT bit is set (TSINIT and TSINIT defined in MAC_Timestamp_Control register). When ADDSUB field of MAC_System_Time_Nanoseconds_Update is set, this value is directly used for subtraction.

**GMAC MAC Address0 High**

Address: Operational Base + offset (0x0300)

Bit	Attr	Reset Value	Description
31	RO	0x0	<b>AE</b> Address Enable This bit is always set to 1. Values: 1'b0: This bit must be always set to 1 1'b1: This bit is always set to 1

Bit	Attr	Reset Value	Description
30	RW	0x0	<p>SA Source Address</p> <p>When this bit is set, the MAC Address1[47:0] is used to compare with the SA fields of the received packet. When this bit is reset, the MAC Address1[47:0] is used to compare with the DA fields of the received packet.</p> <p>Values: 0x0 (DA): Compare with Destination Address 0x1 (SA): Compare with Source Address</p>
29:24	RW	0x00	<p>MBC Mask Byte Control</p> <p>These bits are mask control bits for comparing each of the MAC Address bytes. When set high, the MAC does not compare the corresponding byte of received DA or SA with the contents of MAC Address1 registers. Each bit controls the masking of the bytes as follows: Bit 29: MAC_Address0_High[15:8] Bit 28: MAC_Address0_High[7:0] Bit 27: MAC_Address0_Low[31:24] ... Bit 24: MAC_Address0_Low[7:0]</p> <p>You can filter a group of addresses (known as group address filtering) by masking one or more bytes of the address.</p>
23:17	RO	0x00	reserved
16	RW	0x0	<p>DCS DMA Channel Select</p> <p>If the PDC bit of MAC_Ext_Configuration register is not set: This field contains the binary representation of the DMA Channel number to which an Rx packet whose DA matches the MAC Address0 content is routed. If the PDC bit of MAC_Ext_Configuration register is set: This field contains the one-hot representation of one or more DMA Channel numbers to which an Rx packet whose DA matches the MAC Address0 content is routed.</p>
15:0	RW	0xffff	<p>ADDRHI MAC Address0[47:32]</p> <p>This field contains the upper 16 bits [47:32] of the first 6-byte MAC address. The MAC uses this field for filtering the received packets and inserting the MAC address in the Transmit Flow Control (Pause) Packets.</p>

**GMAC MAC Address0 Low**

Address: Operational Base + offset (0x0304)

Bit	Attr	Reset Value	Description
31:0	RW	0xffffffff	<p>ADDRLO MAC Address0[31:0]</p> <p>This field contains the lower 32 bits of the first 6-byte MAC address. The MAC uses this field for filtering the received packets and inserting the MAC address in the Transmit Flow Control (Pause) Packets.</p>

**GMAC MMC Control**

Address: Operational Base + offset (0x0700)

Bit	Attr	Reset Value	Description
31:9	RO	0x000000	reserved

Bit	Attr	Reset Value	Description
8	RW	0x0	<p>UCDBC Update MMC Counters for Dropped Broadcast Packets Note: The CNTRST bit has a higher priority than the CNTPRST bit. Therefore, when the software tries to set both bits in the same write cycle, all counters are cleared and the CNTPRST bit is not set. When set, the MAC updates all related MMC Counters for Broadcast packets that are dropped because of the setting of the DBF bit of MAC_Packet_Filter register. When reset, the MMC Counters are not updated for dropped Broadcast packets. Values: 1'b0: Update MMC Counters for Dropped Broadcast Packets is disabled 1'b1: Update MMC Counters for Dropped Broadcast Packets is enabled</p>
7:6	RO	0x0	reserved
5	RW	0x0	<p>CNTPRSTLVL Full-Half Preset When this bit is low and the CNTPRST bit is set, all MMC counters get preset to almost-half value. All octet counters get preset to 0x7FFF_F800 (Half 2KBytes) and all packet-counters gets preset to 0x7FFF_FFF0 (Half 16). When this bit is high and the CNTPRST bit is set, all MMC counters get preset to almost-full value. All octet counters get preset to 0xFFFF_F800 (Full 2KBytes) and all packet-counters gets preset to 0xFFFF_FFF0 (Full 16). For 16-bit counters, the almost-half preset values are 0x7800 and 0x7FF0 for the respective octet and packet counters. Similarly, the almost-full preset values for the 16-bit counters are 0xF800 and 0xFFF0. Values: 1'b0: Full-Half Preset is disabled 1'b1: Full-Half Preset is enabled</p>
4	RW	0x0	<p>CNTPRST Counters Preset When this bit is set, all counters are initialized or preset to almost full or almost half according to the CNTPRSTLVL bit. This bit is cleared automatically after 1 clock cycle. This bit, along with the CNTPRSTLVL bit, is useful for debugging and testing the assertion of interrupts because of MMC counter becoming half-full or full. Access restriction applies. Self-cleared. Setting 0 clears. Setting 1 sets. Values: 1'b0: Counters Preset is disabled 1'b1: Counters Preset is enabled</p>
3	RW	0x0	<p>CNTFREEZ MMC Counter Freeze When this bit is set, it freezes all MMC counters to their current value. Until this bit is reset to 0, no MMC counter is updated because of any transmitted or received packet. If any MMC counter is read with the Reset on Read bit set, then that counter is also cleared in this mode. Values: 1'b0: MMC Counter Freeze is disabled 1'b1: MMC Counter Freeze is enabled</p>

Bit	Attr	Reset Value	Description
2	RW	0x0	<p><b>RSTONRD</b> Reset on Read When this bit is set, the MMC counters are reset to zero after Read (self-clearing after reset). The counters are cleared when the least significant byte lane (Bits[7:0]) is read. Values: 1'b0: Reset on Read is disabled 1'b1: Reset on Read is enabled</p>
1	RW	0x0	<p><b>CNTSTOPRO</b> Counter Stop Rollover When this bit is set, the counter does not roll over to zero after reaching the maximum value. Values: 1'b0: Counter Stop Rollover is disabled 1'b1: Counter Stop Rollover is enabled</p>
0	RW	0x0	<p><b>CNTRST</b> Counters Reset When this bit is set, all counters are reset. This bit is cleared automatically after 1 clock cycle. Access restriction applies. Self-cleared. Setting 0 clears. Setting 1 sets. Values: 1'b0: Counters are not reset 1'b1: All counters are reset</p>

**GMAC MMC Rx Interrupt**

Address: Operational Base + offset (0x0704)

Bit	Attr	Reset Value	Description
31:24	RO	0x00	reserved
23	RO	0x0	<p><b>RXWDOGPIIS</b> MMC Receive Watchdog Error Packet Counter Interrupt Status This bit is set when the rxwatchdog error counter reaches half of the maximum value or the maximum value. Access restriction applies. Clears on read. Self-set to 1 on internal event. Values: 0x0 (INACTIVE): MMC Receive Watchdog Error Packet Counter Interrupt Status not detected 0x1 (ACTIVE): MMC Receive Watchdog Error Packet Counter Interrupt Status detected</p>
22	RO	0x0	reserved
21	RO	0x0	<p><b>RXFOVPIS</b> MMC Receive FIFO Overflow Packet Counter Interrupt Status This bit is set when the rxfifooverflow counter reaches half of the maximum value or the maximum value. Access restriction applies. Clears on read. Self-set to 1 on internal event. Values: 1'b0: MMC Receive FIFO Overflow Packet Counter Interrupt Status not detected 1'b1: MMC Receive FIFO Overflow Packet Counter Interrupt Status detected</p>

Bit	Attr	Reset Value	Description
20	RO	0x0	<p><b>RXPAUSPIS</b>  MMC Receive Pause Packet Counter Interrupt Status  This bit is set when the rxpausepackets counter reaches half of the maximum value or the maximum value. Access restriction applies. Clears on read. Self-set to 1 on internal event.  Values:  0x0 (INACTIVE): MMC Receive Pause Packet Counter Interrupt Status not detected  0x1 (ACTIVE): MMC Receive Pause Packet Counter Interrupt Status detected</p>
19	RO	0x0	reserved
18	RO	0x0	<p><b>RXLENERPIS</b>  MMC Receive Length Error Packet Counter Interrupt Status  This bit is set when the rxlengtherror counter reaches half of the maximum value or the maximum value. Access restriction applies. Clears on read. Self-set to 1 on internal event.  Values:  1'b0: MMC Receive Length Error Packet Counter Interrupt Status not detected  1'b1: MMC Receive Length Error Packet Counter Interrupt Status detected</p>
17:11	RO	0x00	reserved
10	RO	0x0	<p><b>RXOSIZEGPIS</b>  MMC Receive Oversize Good Packet Counter Interrupt Status  This bit is set when the rxoversize_g counter reaches half of the maximum value or the maximum value. Access restriction applies. Clears on read. Self-set to 1 on internal event.  Values:  0x0 (INACTIVE): MMC Receive Oversize Good Packet Counter Interrupt Status not detected  0x1 (ACTIVE): MMC Receive Oversize Good Packet Counter Interrupt Status detected</p>
9:6	RO	0x0	reserved
5	RO	0x0	<p><b>RXCRCERPIS</b>  MMC Receive CRC Error Packet Counter Interrupt Status  This bit is set when the rxrcerror counter reaches half of the maximum value or the maximum value. Access restriction applies. Clears on read. Self-set to 1 on internal event.  Values:  1'b0: MMC Receive CRC Error Packet Counter Interrupt Status not detected  1'b1: MMC Receive CRC Error Packet Counter Interrupt Status detected</p>

Bit	Attr	Reset Value	Description
4	RO	0x0	<p><b>RXMCGPIS</b>                      MMC Receive Multicast Good Packet Counter Interrupt Status                      This bit is set when the rxmulticastpackets_g counter reaches half of the maximum value or the maximum value.                      Access restriction applies. Clears on read. Self-set to 1 on internal event.                      Values:                      1'b0: MMC Receive Multicast Good Packet Counter Interrupt Status not detected                      1'b1: MMC Receive Multicast Good Packet Counter Interrupt Status detected</p>
3	RO	0x0	reserved
2	RO	0x0	<p><b>RXGOCTIS</b>                      MMC Receive Good Octet Counter Interrupt Status                      This bit is set when the rxoctetcount_g counter reaches half of the maximum value or the maximum value.                      Access restriction applies. Clears on read. Self-set to 1 on internal event.                      Values:                      1'b0: MMC Receive Good Octet Counter Interrupt Status not detected                      1'b1: MMC Receive Good Octet Counter Interrupt Status detected</p>
1	RO	0x0	<p><b>RXGBOCTIS</b>                      MMC Receive Good Bad Octet Counter Interrupt Status                      This bit is set when the rxoctetcount_gb counter reaches half of the maximum value or the maximum value.                      Access restriction applies. Clears on read. Self-set to 1 on internal event.                      Values:                      1'b0: MMC Receive Good Bad Octet Counter Interrupt Status not detected                      1'b1: MMC Receive Good Bad Octet Counter Interrupt Status detected</p>
0	RO	0x0	<p><b>RXGBPCTIS</b>                      MMC Receive Good Bad Packet Counter Interrupt Status                      This bit is set when the rxpacketcount_gb counter reaches half of the maximum value or the maximum value.                      Access restriction applies. Clears on read. Self-set to 1 on internal event.                      Values:                      1'b0: MMC Receive Good Bad Packet Counter Interrupt Status not detected                      1'b1: MMC Receive Good Bad Packet Counter Interrupt Status detected</p>

**GMAC MMC Tx Interrupt**

Address: Operational Base + offset (0x0708)

Bit	Attr	Reset Value	Description
31:24	RO	0x00	reserved

Bit	Attr	Reset Value	Description
23	RO	0x0	<p>TXPAUSPIS MMC Transmit Pause Packet Counter Interrupt Status This bit is set when the txpausepacketerror counter reaches half of the maximum value or the maximum value. Access restriction applies. Clears on read. Self-set to 1 on internal event. Values: 0x0 (INACTIVE): MMC Transmit Pause Packet Counter Interrupt Status not detected 0x1 (ACTIVE): MMC Transmit Pause Packet Counter Interrupt Status detected</p>
22	RO	0x0	reserved
21	RO	0x0	<p>TXGPKTIS MMC Transmit Good Packet Counter Interrupt Status This bit is set when the txpacketcount_g counter reaches half of the maximum value or the maximum value. Access restriction applies. Clears on read. Self-set to 1 on internal event. Values: 1'b0: MMC Transmit Good Packet Counter Interrupt Status not detected 1'b1: MMC Transmit Good Packet Counter Interrupt Status detected</p>
20	RO	0x0	<p>TXGOCTIS MMC Transmit Good Octet Counter Interrupt Status This bit is set when the txoctetcount_g counter reaches half of the maximum value or the maximum value. Access restriction applies. Clears on read. Self-set to 1 on internal event. Values: 1'b0: MMC Transmit Good Octet Counter Interrupt Status not detected 1'b1: MMC Transmit Good Octet Counter Interrupt Status detected</p>
19	RO	0x0	<p>TXCARERPIS MMC Transmit Carrier Error Packet Counter Interrupt Status This bit is set when the txcarriererror counter reaches half of the maximum value or the maximum value. Access restriction applies. Clears on read. Self-set to 1 on internal event. Values: 1'b0: MMC Transmit Carrier Error Packet Counter Interrupt Status not detected 1'b1: MMC Transmit Carrier Error Packet Counter Interrupt Status detected</p>
18:14	RO	0x00	reserved
13	RO	0x0	<p>TXUFLOWERPIS MMC Transmit Underflow Error Packet Counter Interrupt Status This bit is set when the txunderflowerror counter reaches half of the maximum value or the maximum value. Access restriction applies. Clears on read. Self-set to 1 on internal event. Values: 1'b0: MMC Transmit Underflow Error Packet Counter Interrupt Status not detected 1'b1: MMC Transmit Underflow Error Packet Counter Interrupt Status detected</p>



Bit	Attr	Reset Value	Description
12:2	RO	0x000	reserved
1	RO	0x0	<p><b>TXGBPCTIS</b>                      MMC Transmit Good Bad Packet Counter Interrupt Status                      This bit is set when the txpacketcount_gb counter reaches half of the maximum value or the maximum value.                      Access restriction applies. Clears on read. Self-set to 1 on internal event.                      Values:                      1'b0: MMC Transmit Good Bad Packet Counter Interrupt Status not detected                      1'b1: MMC Transmit Good Bad Packet Counter Interrupt Status detected</p>
0	RO	0x0	<p><b>TXGBOCTIS</b>                      MMC Transmit Good Bad Octet Counter Interrupt Status                      This bit is set when the txoctetcount_gb counter reaches half of the maximum value or the maximum value.                      Access restriction applies. Clears on read. Self-set to 1 on internal event.                      Values:                      1'b0: MMC Transmit Good Bad Octet Counter Interrupt Status not detected                      1'b1: MMC Transmit Good Bad Octet Counter Interrupt Status detected</p>

**GMAC MMC Rx Interrupt Mask**

Address: Operational Base + offset (0x070c)

Bit	Attr	Reset Value	Description
31:24	RO	0x00	reserved
23	RW	0x0	<p><b>RXWDOGPIIM</b>                      MMC Receive Watchdog Error Packet Counter Interrupt Mask                      Setting this bit masks the interrupt when the rxwatchdog counter reaches half of the maximum value or the maximum value.                      Values:                      0x0 (DISABLE): MMC Receive Watchdog Error Packet Counter Interrupt Mask is disabled                      0x1 (ENABLE): MMC Receive Watchdog Error Packet Counter Interrupt Mask is enabled</p>
22	RO	0x0	reserved
21	RW	0x0	<p><b>RXFOVPIM</b>                      MMC Receive FIFO Overflow Packet Counter Interrupt Mask                      Setting this bit masks the interrupt when the rxfifooverflow counter reaches half of the maximum value or the maximum value.                      Values:                      1'b0: MMC Receive FIFO Overflow Packet Counter Interrupt Mask is disabled                      1'b1: MMC Receive FIFO Overflow Packet Counter Interrupt Mask is enabled</p>

Bit	Attr	Reset Value	Description
20	RW	0x0	<p>RXPAUSPIM MMC Receive Pause Packet Counter Interrupt Mask Setting this bit masks the interrupt when the rxpausepackets counter reaches half of the maximum value or the maximum value. Values: 0x0 (DISABLE): MMC Receive Pause Packet Counter Interrupt Mask is disabled 0x1 (ENABLE): MMC Receive Pause Packet Counter Interrupt Mask is enabled</p>
19	RO	0x0	reserved
18	RW	0x0	<p>RXLENERPIM MMC Receive Length Error Packet Counter Interrupt Mask Setting this bit masks the interrupt when the rxlengtherror counter reaches half of the maximum value or the maximum value. Values: 1'b0: MMC Receive Length Error Packet Counter Interrupt Mask is disabled 1'b1: MMC Receive Length Error Packet Counter Interrupt Mask is enabled</p>
17:11	RO	0x00	reserved
10	RW	0x0	<p>RXOSIZEGPIM MMC Receive Oversize Good Packet Counter Interrupt Mask Setting this bit masks the interrupt when the rxoversize_g counter reaches half of the maximum value or the maximum value. Values: 0x0 (DISABLE): MMC Receive Oversize Good Packet Counter Interrupt Mask is disabled 0x1 (ENABLE): MMC Receive Oversize Good Packet Counter Interrupt Mask is enabled</p>
9:6	RO	0x0	reserved
5	RW	0x0	<p>RXCRCERPIM MMC Receive CRC Error Packet Counter Interrupt Mask Setting this bit masks the interrupt when the rxcrcerror counter reaches half of the maximum value or the maximum value. Values: 1'b0: MMC Receive CRC Error Packet Counter Interrupt Mask is disabled 1'b1: MMC Receive CRC Error Packet Counter Interrupt Mask is enabled</p>
4	RW	0x0	<p>RXMCGPIM MMC Receive Multicast Good Packet Counter Interrupt Mask Setting this bit masks the interrupt when the rxmulticastpackets_g counter reaches half of the maximum value or the maximum value. Values: 1'b0: MMC Receive Multicast Good Packet Counter Interrupt Mask is disabled 1'b1: MMC Receive Multicast Good Packet Counter Interrupt Mask is enabled</p>
3	RO	0x0	reserved

Bit	Attr	Reset Value	Description
2	RW	0x0	<p>RXGOCTIM                      MMC Receive Good Octet Counter Interrupt Mask                      Setting this bit masks the interrupt when the rxoctetcount_g counter reaches half of the maximum value or the maximum value.                      Values:                      1'b0: MMC Receive Good Octet Counter Interrupt Mask is disabled                      1'b1: MMC Receive Good Octet Counter Interrupt Mask is enabled</p>
1	RW	0x0	<p>RXGBOCTIM                      MMC Receive Good Bad Octet Counter Interrupt Mask                      Setting this bit masks the interrupt when the rxoctetcount_gb counter reaches half of the maximum value or the maximum value.                      Values:                      1'b0: MMC Receive Good Bad Octet Counter Interrupt Mask is disabled                      1'b1: MMC Receive Good Bad Octet Counter Interrupt Mask is enabled</p>
0	RW	0x0	<p>RXGBPCTIM                      MMC Receive Good Bad Packet Counter Interrupt Mask                      Setting this bit masks the interrupt when the rxpacketcount_gb counter reaches half of the maximum value or the maximum value.                      Values:                      1'b0: MMC Receive Good Bad Packet Counter Interrupt Mask is disabled                      1'b1: MMC Receive Good Bad Packet Counter Interrupt Mask is enabled</p>

**GMAC MMC Tx Interrupt Mask**

Address: Operational Base + offset (0x0710)

Bit	Attr	Reset Value	Description
31:24	RO	0x00	reserved
23	RW	0x0	<p>TXPAUSPIM                      MMC Transmit Pause Packet Counter Interrupt Mask                      Setting this bit masks the interrupt when the txpausepackets counter reaches half of the maximum value or the maximum value.                      Values:                      0x0 (DISABLE): MMC Transmit Pause Packet Counter Interrupt Mask is disabled                      0x1 (ENABLE): MMC Transmit Pause Packet Counter Interrupt Mask is enabled</p>
22	RO	0x0	reserved

Bit	Attr	Reset Value	Description
21	RW	0x0	<p><b>TXGPKTIM</b>  MMC Transmit Good Packet Counter Interrupt Mask  Setting this bit masks the interrupt when the txpacketcount_g counter reaches half of the maximum value or the maximum value.  Values:  1'b0: MMC Transmit Good Packet Counter Interrupt Mask is disabled  1'b1: MMC Transmit Good Packet Counter Interrupt Mask is enabled</p>
20	RW	0x0	<p><b>TXGOCTIM</b>  MMC Transmit Good Octet Counter Interrupt Mask  Setting this bit masks the interrupt when the txoctetcount_g counter reaches half of the maximum value or the maximum value.  Values:  1'b0: MMC Transmit Good Octet Counter Interrupt Mask is disabled  1'b1: MMC Transmit Good Octet Counter Interrupt Mask is enabled</p>
19	RW	0x0	<p><b>TXCARERPIM</b>  MMC Transmit Carrier Error Packet Counter Interrupt Mask  Setting this bit masks the interrupt when the txcarriererror counter reaches half of the maximum value or the maximum value.  Values:  1'b0: MMC Transmit Carrier Error Packet Counter Interrupt Mask is disabled  1'b1: MMC Transmit Carrier Error Packet Counter Interrupt Mask is enabled</p>
18:14	RO	0x00	reserved
13	RW	0x0	<p><b>TXUFLOWERPIM</b>  MMC Transmit Underflow Error Packet Counter Interrupt Mask  Setting this bit masks the interrupt when the txunderflowerror counter reaches half of the maximum value or the maximum value.  Values:  1'b0: MMC Transmit Underflow Error Packet Counter Interrupt Mask is disabled  1'b1: MMC Transmit Underflow Error Packet Counter Interrupt Mask is enabled</p>
12:2	RO	0x000	reserved
1	RW	0x0	<p><b>TXGBPCTIM</b>  MMC Transmit Good Bad Packet Counter Interrupt Mask  Setting this bit masks the interrupt when the txpacketcount_gb counter reaches half of the maximum value or the maximum value.  Values:  1'b0: MMC Transmit Good Bad Packet Counter Interrupt Mask is disabled  1'b1: MMC Transmit Good Bad Packet Counter Interrupt Mask is enabled</p>

Bit	Attr	Reset Value	Description
0	RW	0x0	TXGBOCTIM MMC Transmit Good Bad Octet Counter Interrupt Mask Setting this bit masks the interrupt when the txoctetcount_gb counter reaches half of the maximum value or the maximum value. Values: 1'b0: MMC Transmit Good Bad Octet Counter Interrupt Mask is disabled 1'b1: MMC Transmit Good Bad Octet Counter Interrupt Mask is enabled

**GMAC Tx Octet Count Good Bad**

Address: Operational Base + offset (0x0714)

Bit	Attr	Reset Value	Description
31:0	RO	0x00000000	TXOCTGB Tx Octet Count Good Bad This field indicates the number of bytes transmitted, exclusive of preamble and retried bytes, in good and bad packets.

**GMAC Tx Packet Count Good Bad**

Address: Operational Base + offset (0x0718)

Bit	Attr	Reset Value	Description
31:0	RO	0x00000000	TXPKTGB Tx Packet Count Good Bad This field indicates the number of good and bad packets transmitted, exclusive of retried packets.

**GMAC Tx Underflow Error Packets**

Address: Operational Base + offset (0x0748)

Bit	Attr	Reset Value	Description
31:0	RO	0x00000000	TXUNDRFLW Tx Underflow Error Packets This field indicates the number of packets aborted because of packets underflow error.

**GMAC Tx Carrier Error Packets**

Address: Operational Base + offset (0x0760)

Bit	Attr	Reset Value	Description
31:0	RO	0x00000000	TXCARR Tx Carrier Error Packets This field indicates the number of packets aborted because of carrier sense error (no carrier or loss of carrier).

**GMAC Tx Octet Count Good**

Address: Operational Base + offset (0x0764)

Bit	Attr	Reset Value	Description
31:0	RO	0x00000000	TXOCTG Tx Octet Count Good This field indicates the number of bytes transmitted, exclusive of preamble, only in good packets.

**GMAC Tx Packet Count Good**

Address: Operational Base + offset (0x0768)

Bit	Attr	Reset Value	Description
31:0	RO	0x00000000	TXPKTG Tx Packet Count Good This field indicates the number of good packets transmitted.

**GMAC Tx Pause Packets**

Address: Operational Base + offset (0x0770)

Bit	Attr	Reset Value	Description
31:0	RO	0x00000000	TXPAUSE Tx Pause Packets This field indicates the number of good Pause packets transmitted.

**GMAC Rx Packets Count Good Bad**

Address: Operational Base + offset (0x0780)

Bit	Attr	Reset Value	Description
31:0	RO	0x00000000	RXPKTGB Rx Packets Count Good Bad This field indicates the number of good and bad packets received.

**GMAC Rx Octet Count Good Bad**

Address: Operational Base + offset (0x0784)

Bit	Attr	Reset Value	Description
31:0	RO	0x00000000	RXOCTGB Rx Octet Count Good Bad This field indicates the number of bytes received, exclusive of preamble, in good and bad packets.

**GMAC Rx Octet Count Good**

Address: Operational Base + offset (0x0788)

Bit	Attr	Reset Value	Description
31:0	RO	0x00000000	RXOCTG Rx Octet Count Good This field indicates the number of bytes received, exclusive of preamble, only in good packets.

**GMAC Rx Multicast Packets Good**

Address: Operational Base + offset (0x0790)

Bit	Attr	Reset Value	Description
31:0	RO	0x00000000	RXMCASTG Rx Multicast Packets Good This field indicates the number of good multicast packets received.

**GMAC Rx CRC Error Packets**

Address: Operational Base + offset (0x0794)

Bit	Attr	Reset Value	Description
31:0	RO	0x00000000	RXCRCERR Rx CRC Error Packets This field indicates the number of packets received with CRC error.

**GMAC Rx Oversize Packets Good**

Address: Operational Base + offset (0x07a8)

Bit	Attr	Reset Value	Description
31:0	RO	0x00000000	RXOVERSZG Rx Oversize Packets Good This field indicates the number of packets received without errors, with length greater than the maxsize (1,518 bytes or 1,522 bytes for VLAN tagged packets; 2000 bytes if enabled in the S2KP bit of the MAC_Configuration register).

**GMAC Rx Length Error Packets**

Address: Operational Base + offset (0x07c8)

Bit	Attr	Reset Value	Description
31:0	RO	0x00000000	RXLENERR Rx Length Error Packets This field indicates the number of packets received with length error (Length Type field not equal to packet size), for all packets with valid length field.

**GMAC Rx Pause Packets**

Address: Operational Base + offset (0x07d0)

Bit	Attr	Reset Value	Description
31:0	RO	0x00000000	RXPAUSEPKT Rx Pause Packets This field indicates the number of good and valid Pause packets received.

**GMAC Rx FIFO Overflow Packets**

Address: Operational Base + offset (0x07d4)

Bit	Attr	Reset Value	Description
31:0	RO	0x00000000	RXFIFOOVFL Rx FIFO Overflow Packets This field indicates the number of missed received packets because of FIFO overflow.

**GMAC Rx Watchdog Error Packets**

Address: Operational Base + offset (0x07dc)

Bit	Attr	Reset Value	Description
31:0	RO	0x00000000	RXWDGERR Rx Watchdog Error Packets This field indicates the number of packets received with error because of watchdog timeout error (packets with a data load larger than 2,048 bytes (when JE and WD bits are reset in MAC_Configuration register), 10,240 bytes (when JE bit is set and WD bit is reset in MAC_Configuration register), 16,384 bytes (when WD bit is set in MAC_Configuration register) or the value programmed in the MAC_Watchdog_Timeout register).

**GMAC MMC IPC Rx Interrupt Mask**

Address: Operational Base + offset (0x0800)

Bit	Attr	Reset Value	Description
31:30	RO	0x0	reserved

Bit	Attr	Reset Value	Description
29	RW	0x0	<p><b>RXICMPEROIM</b>                      MMC Receive ICMP Error Octet Counter Interrupt Mask                      Setting this bit masks the interrupt when the rxicmp_err_octets counter reaches half of the maximum value or the maximum value.                      Values:                      1'b0: MMC Receive ICMP Error Octet Counter Interrupt Mask is disabled                      1'b1: MMC Receive ICMP Error Octet Counter Interrupt Mask is enabled</p>
28	RO	0x0	reserved
27	RW	0x0	<p><b>RXTCPEROIM</b>                      MMC Receive TCP Error Octet Counter Interrupt Mask                      Setting this bit masks the interrupt when the rxtcp_err_octets counter reaches half of the maximum value or the maximum value.                      Values:                      1'b0: MMC Receive TCP Error Octet Counter Interrupt Mask is disabled                      1'b1: MMC Receive TCP Error Octet Counter Interrupt Mask is enabled</p>
26	RO	0x0	reserved
25	RW	0x0	<p><b>RXUDPEROIM</b>                      MMC Receive UDP Error Octet Counter Interrupt Mask                      Setting this bit masks the interrupt when the rxudp_err_octets counter reaches half of the maximum value or the maximum value.                      Values:                      1'b0: MMC Receive UDP Error Octet Counter Interrupt Mask is disabled                      1'b1: MMC Receive UDP Error Octet Counter Interrupt Mask is enabled</p>
24:23	RO	0x0	reserved
22	RW	0x0	<p><b>RXIPV6HEROIM</b>                      MMC Receive IPV6 Header Error Octet Counter Interrupt Mask                      Setting this bit masks the interrupt when the rxipv6_nopay_octets counter reaches half of the maximum value or the maximum value.                      Value:                      1'b0: MMC Receive IPV6 Header Error Octet Counter Interrupt Mask is disabled                      1'b1: MMC Receive IPV6 Header Error Octet Counter Interrupt Mask is enabled</p>
21:18	RO	0x0	reserved
17	RW	0x0	<p><b>RXIPV4HEROIM</b>                      MMC Receive IPV4 Header Error Octet Counter Interrupt Mask                      Setting this bit masks the interrupt when the rxipv4_hdrerr_octets counter reaches half of the maximum value or the maximum value.                      Values:                      1'b0: MMC Receive IPV4 Header Error Octet Counter Interrupt Mask is disabled                      1'b1: MMC Receive IPV4 Header Error Octet Counter Interrupt Mask is enabled</p>
16:14	RO	0x0	reserved



Bit	Attr	Reset Value	Description
13	RW	0x0	<p>RXICMPERPIM  MMC Receive ICMP Error Packet Counter Interrupt Mask  Setting this bit masks the interrupt when the rxicmp_err_pkts counter reaches half of the maximum value or the maximum value.  Values:  1'b0: MMC Receive ICMP Error Packet Counter Interrupt Mask is disabled  1'b1: MMC Receive ICMP Error Packet Counter Interrupt Mask is enabled</p>
12	RO	0x0	reserved
11	RW	0x0	<p>RXTCPERPIM  MMC Receive TCP Error Packet Counter Interrupt Mask  Setting this bit masks the interrupt when the rxtcp_err_pkts counter reaches half of the maximum value or the maximum value.  Values:  1'b0: MMC Receive TCP Error Packet Counter Interrupt Mask is disabled  1'b1: MMC Receive TCP Error Packet Counter Interrupt Mask is enabled</p>
10	RO	0x0	reserved
9	RW	0x0	<p>RXUDPERPIM  MMC Receive UDP Error Packet Counter Interrupt Mask  Setting this bit masks the interrupt when the rxudp_err_pkts counter reaches half of the maximum value or the maximum value.  Values:  1'b0: MMC Receive UDP Error Packet Counter Interrupt Mask is disabled  1'b1: MMC Receive UDP Error Packet Counter Interrupt Mask is enabled</p>
8:7	RO	0x0	reserved
6	RW	0x0	<p>RXIPV6HERPIM  MMC Receive IPV6 Header Error Packet Counter Interrupt Mask  Setting this bit masks the interrupt when the rxipv6_hdrerr_pkts counter reaches half of the maximum value or the maximum value.  Values:  1'b0: MMC Receive IPV6 Header Error Packet Counter Interrupt Mask is disabled  1'b1: MMC Receive IPV6 Header Error Packet Counter Interrupt Mask is enabled</p>
5	RW	0x0	<p>RXIPV6GPIM  MMC Receive IPV6 Good Packet Counter Interrupt Mask  Setting this bit masks the interrupt when the rxipv6_gd_pkts counter reaches half of the maximum value or the maximum value.  Values:  1'b0: MMC Receive IPV6 Good Packet Counter Interrupt Mask is disabled  1'b1: MMC Receive IPV6 Good Packet Counter Interrupt Mask is enabled</p>
4:2	RO	0x0	reserved

Bit	Attr	Reset Value	Description
1	RW	0x0	<p><b>RXIPV4HERPIM</b>                      MMC Receive IPV4 Header Error Packet Counter Interrupt Mask                      Setting this bit masks the interrupt when the rxipv4_hdrerr_pkts counter reaches half of the maximum value or the maximum value.                      Values:                      1'b0: MMC Receive IPV4 Header Error Packet Counter Interrupt Mask is disabled                      1'b1: MMC Receive IPV4 Header Error Packet Counter Interrupt Mask is enabled</p>
0	RW	0x0	<p><b>RXIPV4GPIM</b>                      MMC Receive IPV4 Good Packet Counter Interrupt Mask                      Setting this bit masks the interrupt when the rxipv4_gd_pkts counter reaches half of the maximum value or the maximum value.                      Values:                      1'b0: MMC Receive IPV4 Good Packet Counter Interrupt Mask is disable                      1'b1: MMC Receive IPV4 Good Packet Counter Interrupt Mask is enabled</p>

**GMAC MMC IPC Rx Interrupt**

Address: Operational Base + offset (0x0808)

Bit	Attr	Reset Value	Description
31:30	RO	0x0	reserved
29	RO	0x0	<p><b>RXICMPEROIS</b>                      MMC Receive ICMP Error Octet Counter Interrupt Status                      This bit is set when the rxicmp_err_octets counter reaches half of the maximum value or the maximum value.                      Access restriction applies. Clears on read. Self-set to 1 on internal event.                      Values:                      1'b0: MMC Receive ICMP Error Octet Counter Interrupt Status not detected                      1'b1: MMC Receive ICMP Error Octet Counter Interrupt Status detected</p>
28	RO	0x0	reserved
27	RO	0x0	<p><b>RXTCPEROIS</b>                      MMC Receive TCP Error Octet Counter Interrupt Status                      This bit is set when the rxtcp_err_octets counter reaches half of the maximum value or the maximum value.                      Access restriction applies. Clears on read. Self-set to 1 on internal event.                      Values:                      1'b0: MMC Receive TCP Error Octet Counter Interrupt Status not detected                      1'b1: MMC Receive TCP Error Octet Counter Interrupt Status detected</p>
26	RO	0x0	reserved

Bit	Attr	Reset Value	Description
25	RO	0x0	<p><b>RXUDPEROIS</b>                      MMC Receive UDP Error Octet Counter Interrupt Status                      This bit is set when the rxudp_err_octets counter reaches half of the maximum value or the maximum value.                      Access restriction applies. Clears on read. Self-set to 1 on internal event.                      Values:                      1'b0: MMC Receive UDP Error Octet Counter Interrupt Status not detected                      1'b1: MMC Receive UDP Error Octet Counter Interrupt Status detected</p>
24:23	RO	0x0	reserved
22	RO	0x0	<p><b>RXIPV6HEROIS</b>                      MMC Receive IPV6 Header Error Octet Counter Interrupt Status                      This bit is set when the rxipv6_hdrerr_octets counter reaches half of the maximum value or the maximum value.                      Access restriction applies. Clears on read. Self-set to 1 on internal event.                      Values:                      1'b0: MMC Receive IPV6 Header Error Octet Counter Interrupt Status not detected                      1'b1: MMC Receive IPV6 Header Error Octet Counter Interrupt Status detected</p>
21:18	RO	0x0	reserved
17	RO	0x0	<p><b>RXIPV4HEROIS</b>                      MMC Receive IPV4 Header Error Octet Counter Interrupt Status                      This bit is set when the rxipv4_hdrerr_octets counter reaches half of the maximum value or the maximum value.                      Access restriction applies. Clears on read. Self-set to 1 on internal event.                      Values:                      1'b0: MMC Receive IPV4 Header Error Octet Counter Interrupt Status not detected                      1'b1: MMC Receive IPV4 Header Error Octet Counter Interrupt Status detected</p>
16:14	RO	0x0	reserved
13	RO	0x0	<p><b>RXICMPERPIS</b>                      MMC Receive ICMP Error Packet Counter Interrupt Status                      This bit is set when the rxicmp_err_pkts counter reaches half of the maximum value or the maximum value.                      Access restriction applies. Clears on read. Self-set to 1 on internal event.                      Values:                      1'b0: MMC Receive ICMP Error Packet Counter Interrupt Status not detected                      1'b1: MMC Receive ICMP Error Packet Counter Interrupt Status detected</p>
12	RO	0x0	reserved

Bit	Attr	Reset Value	Description
11	RO	0x0	<p><b>RXTCPERPIS</b>                      MMC Receive TCP Error Packet Counter Interrupt Status                      This bit is set when the rxtcp_err_pkts counter reaches half of the maximum value or the maximum value.                      Access restriction applies. Clears on read. Self-set to 1 on internal event.                      Values:                      1'b0: MMC Receive TCP Error Packet Counter Interrupt Status not detected                      1'b1: MMC Receive TCP Error Packet Counter Interrupt Status detected</p>
10	RO	0x0	reserved
9	RO	0x0	<p><b>RXUDPERPIS</b>                      MMC Receive UDP Error Packet Counter Interrupt Status                      This bit is set when the rxudp_err_pkts counter reaches half of the maximum value or the maximum value.                      Access restriction applies. Clears on read. Self-set to 1 on internal event.                      Values:                      1'b0: MMC Receive UDP Error Packet Counter Interrupt Status not detected                      1'b1: MMC Receive UDP Error Packet Counter Interrupt Status detected</p>
8:7	RO	0x0	reserved
6	RO	0x0	<p><b>RXIPV6HERPIS</b>                      MMC Receive IPV6 Header Error Packet Counter Interrupt Status                      This bit is set when the rxipv6_hdrerr_pkts counter reaches half of the maximum value or the maximum value.                      Access restriction applies. Clears on read. Self-set to 1 on internal event.                      Values:                      1'b0: MMC Receive IPV6 Header Error Packet Counter Interrupt Status not detected                      1'b1: MMC Receive IPV6 Header Error Packet Counter Interrupt Status detected</p>
5	RO	0x0	<p><b>RXIPV6GPIS</b>                      MMC Receive IPV6 Good Packet Counter Interrupt Status                      This bit is set when the rxipv6_gd_pkts counter reaches half of the maximum value or the maximum value.                      Access restriction applies. Clears on read. Self-set to 1 on internal event.                      Values:                      1'b0: MMC Receive IPV6 Good Packet Counter Interrupt Status not detected                      1'b1: MMC Receive IPV6 Good Packet Counter Interrupt Status detected</p>
4:2	RO	0x0	reserved

Bit	Attr	Reset Value	Description
1	RO	0x0	<p>RXIPV4HERPIS                      MMC Receive IPV4 Header Error Packet Counter Interrupt Status                      This bit is set when the rxipv4_hdrerr_pkts counter reaches half of the maximum value or the maximum value.                      Access restriction applies. Clears on read. Self-set to 1 on internal event.                      Values:                      1'b0: MMC Receive IPV4 Header Error Packet Counter Interrupt Status not detected                      1'b1: MMC Receive IPV4 Header Error Packet Counter Interrupt Status detected</p>
0	RO	0x0	<p>RXIPV4GPIS                      MMC Receive IPV4 Good Packet Counter Interrupt Status                      This bit is set when the rxipv4_gd_pkts counter reaches half of the maximum value or the maximum value.                      Access restriction applies. Clears on read. Self-set to 1 on internal event.                      Values:                      1'b0: MMC Receive IPV4 Good Packet Counter Interrupt Status not detected                      1'b1: MMC Receive IPV4 Good Packet Counter Interrupt Status detected</p>

**GMAC RxIPv4 Good Packets**

Address: Operational Base + offset (0x0810)

Bit	Attr	Reset Value	Description
31:0	RO	0x00000000	<p>RXIPV4GDPKT                      RxIPv4 Good Packets                      This field indicates the number of good IPv4 datagrams received with the TCP, UDP, or ICMP payload.</p>

**GMAC RxIPv4 Header Error Packets**

Address: Operational Base + offset (0x0814)

Bit	Attr	Reset Value	Description
31:0	RO	0x00000000	<p>RXIPV4HDRERRPKT                      RxIPv4 Header Error Packets                      This field indicates the number of IPv4 datagrams received with header (checksum, length, or version mismatch) errors.</p>

**GMAC RxIPv6 Good Packets**

Address: Operational Base + offset (0x0824)

Bit	Attr	Reset Value	Description
31:0	RO	0x00000000	<p>RXIPV6GDPKT                      RxIPv6 Good Packets                      This field indicates the number of good IPv6 datagrams received with the TCP, UDP, or ICMP payload.</p>

**GMAC RxIPv6 Header Error Packets**

Address: Operational Base + offset (0x0828)

Bit	Attr	Reset Value	Description
31:0	RO	0x00000000	<p>RXIPV6HDRERRPKT                      RxIPv6 Header Error Packets                      This field indicates the number of IPv6 datagrams received with header (length or version mismatch) errors.</p>

**GMAC RxUDP Error Packets**

Address: Operational Base + offset (0x0834)

Bit	Attr	Reset Value	Description
31:0	RO	0x00000000	RXUDPERRPKT RxUDP Error Packets This field indicates the number of good IP datagrams received whose UDP payload has a checksum error.

**GMAC RxTCP Error Packets**

Address: Operational Base + offset (0x083c)

Bit	Attr	Reset Value	Description
31:0	RO	0x00000000	RXTCPERRPKT RxTCP Error Packets This field indicates the number of good IP datagrams received whose TCP payload has a checksum error.

**GMAC RxICMP Error Packets**

Address: Operational Base + offset (0x0844)

Bit	Attr	Reset Value	Description
31:0	RO	0x00000000	RXICMPERRPKT RxICMP Error Packets This field indicates the number of good IP datagrams received whose ICMP payload has a checksum error.

**GMAC RxIPv4 Header Error Octets**

Address: Operational Base + offset (0x0854)

Bit	Attr	Reset Value	Description
31:0	RO	0x00000000	RXIPV4HDRERROCT RxIPv4 Header Error Octets This field indicates the number of bytes received in IPv4 datagrams with header errors (checksum, length, version mismatch). The value in the Length field of IPv4 header is used to update this counter. (Ethernet header, FCS, pad, or IP pad bytes are not included in this counter.)

**GMAC RxIPv6 Header Error Octets**

Address: Operational Base + offset (0x0868)

Bit	Attr	Reset Value	Description
31:0	RO	0x00000000	RXIPV6HDRERROCT RxIPv6 Header Error Octets This field indicates the number of bytes received in IPv6 datagrams with header errors (length, version mismatch). The value in the Length field of IPv6 header is used to update this counter. (Ethernet header, FCS, pad, or IP pad bytes are not included in this counter.)

**GMAC RxUDP Error Octets**

Address: Operational Base + offset (0x0874)

Bit	Attr	Reset Value	Description
31:0	RO	0x00000000	RXUDPPERROCT RxUDP Error Octets This field indicates the number of bytes received in a UDP segment that had checksum errors. This counter does not count IP header bytes.

**GMAC RxTCP Error Octets**

Address: Operational Base + offset (0x087c)

Bit	Attr	Reset Value	Description
31:0	RO	0x00000000	RXTCPPERROCT RxTCP Error Octets This field indicates the number of bytes received in a TCP segment that had checksum errors. This counter does not count IP header bytes.

**GMAC RxICMP Error Octets**

Address: Operational Base + offset (0x0884)

Bit	Attr	Reset Value	Description
31:0	RO	0x00000000	RXICMPERROCT RxICMP Error Octets This field indicates the number of bytes received in a ICMP segment that had checksum errors. This counter does not count IP header bytes.

**GMAC MMC FPE Tx Interrupt**

Address: Operational Base + offset (0x08a0)

Bit	Attr	Reset Value	Description
31:2	RO	0x00000000	reserved
1	RO	0x0	HRCIS MMC Tx Hold Request Counter Interrupt Status This bit is set when the Tx_Hold_Req_Cntr counter reaches half of the maximum value or the maximum value. Access restriction applies. Clears on read. Self-set to 1 on internal event. Exists when any one of the RX/TX MMC counters are enabled during FPE with AV_EST Enabled configuration. Values: 0x0 (INACTIVE): MMC Tx Hold Request Counter Interrupt Status not detected 0x1 (ACTIVE): MMC Tx Hold Request Counter Interrupt Status detected
0	RO	0x0	FCIS MMC Tx FPE Fragment Counter Interrupt status This bit is set when the Tx_FPE_Fragment_Cntr counter reaches half of the maximum value or the maximum value. Access restriction applies. Clears on read. Self-set to 1 on internal event. Exists when any one of the RX/TX MMC counters are enabled during FPE Enabled configuration. Values: 0x0 (INACTIVE): MMC Tx FPE Fragment Counter Interrupt status not detected 0x1 (ACTIVE): MMC Tx FPE Fragment Counter Interrupt status detected

**GMAC MMC FPE Tx Interrupt Mask**

Address: Operational Base + offset (0x08a4)

Bit	Attr	Reset Value	Description
31:2	RO	0x00000000	reserved

Bit	Attr	Reset Value	Description
1	RW	0x0	<p>HRCIM MMC Transmit Hold Request Counter Interrupt Mask Setting this bit masks the interrupt when the Tx_Hold_Req_Cntr counter reaches half of the maximum value or the maximum value. Exists when any one of the RX/TX MMC counters are enabled during FPE with AV_EST Enabled configuration. Values: 0x0 (DISABLE): MMC Transmit Hold Request Counter Interrupt Mask is disabled 0x1 (ENABLE): MMC Transmit Hold Request Counter Interrupt Mask is enabled</p>
0	RW	0x0	<p>FCIM MMC Transmit Fragment Counter Interrupt Mask Setting this bit masks the interrupt when the Tx_FPE_Fragment_Cntr counter reaches half of the maximum value or the maximum value. Exists when any one of the RX/TX MMC counters are enabled during FPE Enabled configuration. Values: 0x0 (DISABLE): MMC Transmit Fragment Counter Interrupt Mask is disabled 0x1 (ENABLE): MMC Transmit Fragment Counter Interrupt Mask is enabled</p>

**GMAC MMC Tx FPE Fragment Cntr**

Address: Operational Base + offset (0x08a8)

Bit	Attr	Reset Value	Description
31:0	RO	0x00000000	<p>TXFFC Tx FPE Fragment counter This field indicates the number of additional mPackets that has been transmitted due to preemption exists when any one of the RX/TX MMC counters are enabled during FPE Enabled configuration.</p>

**GMAC MMC Tx Hold Req Cntr**

Address: Operational Base + offset (0x08ac)

Bit	Attr	Reset Value	Description
31:0	RO	0x00000000	<p>TXHRC Tx Hold Request Counter This field indicates count of number of a hold request is given to MAC. Exists when any one of the RX/TX MMC counters are enabled during FPE with AV_EST Enabled configuration.</p>

**GMAC MMC FPE Rx Interrupt**

Address: Operational Base + offset (0x08c0)

Bit	Attr	Reset Value	Description
31:4	RO	0x00000000	reserved



Bit	Attr	Reset Value	Description
3	RO	0x0	<p><b>FCIS</b>  MMC Rx FPE Fragment Counter Interrupt Status  This bit is set when the Rx_FPE_Fragment_Cntr counter reaches half of the maximum value or the maximum value.  Access restriction applies. Clears on read. Self-set to 1 on internal event.  Exists when any one of the RX/TX MMC counters are enabled during FPE Enabled configuration.  Values:  0x0 (INACTIVE): MMC Rx FPE Fragment Counter Interrupt Status not detected  0x1 (ACTIVE): MMC Rx FPE Fragment Counter Interrupt Status detected</p>
2	RO	0x0	<p><b>PAOCIS</b>  MMC Rx Packet Assembly OK Counter Interrupt Status  This bit is set when the Rx_Packet_Assemble_Ok_Cntr counter reaches half of the maximum value or the maximum value.  Access restriction applies. Clears on read. Self-set to 1 on internal event.  Exists when any one of the RX/TX MMC counters are enabled during FPE Enabled configuration.  Values:  0x0 (INACTIVE): MMC Rx Packet Assembly OK Counter Interrupt Status not detected  0x1 (ACTIVE): MMC Rx Packet Assembly OK Counter Interrupt Status detected</p>
1	RO	0x0	<p><b>PSECIS</b>  MMC Rx Packet SMD Error Counter Interrupt Status  This bit is set when the Rx_Packet_SMD_Err_Cntr counter reaches half of the maximum value or the maximum value.  Access restriction applies. Clears on read. Self-set to 1 on internal event.  Exists when any one of the RX/TX MMC counters are enabled during FPE Enabled configuration.  Values:  0x0 (INACTIVE): MMC Rx Packet SMD Error Counter Interrupt Status not detected  0x1 (ACTIVE): MMC Rx Packet SMD Error Counter Interrupt Status detected</p>
0	RO	0x0	<p><b>PAECIS</b>  MMC Rx Packet Assembly Error Counter Interrupt Status  This bit is set when the Rx_Packet_Assemble_Err_Cntr counter reaches half of the maximum value or the maximum value.  Access restriction applies. Clears on read. Self-set to 1 on internal event.  Exists when any one of the RX/TX MMC counters are enabled during FPE Enabled configuration.  Values:  0x0 (INACTIVE): MMC Rx Packet Assembly Error Counter Interrupt Status not detected  0x1 (ACTIVE): MMC Rx Packet Assembly Error Counter Interrupt Status detected</p>

**GMAC MMC FPE Rx Interrupt Mask**

Address: Operational Base + offset (0x08c4)

Bit	Attr	Reset Value	Description
31:4	RO	0x0000000	reserved
3	RW	0x0	<p>FCIM MMC Rx FPE Fragment Counter Interrupt Mask Setting this bit masks the interrupt when the Tx_FPE_Fragment_Cntr counter reaches half of the maximum value or the maximum value. Exists when any one of the RX/TX MMC counters are enabled during FPE Enabled configuration. Values: 0x0 (DISABLE): MMC Rx FPE Fragment Counter Interrupt Mask is disabled 0x1 (ENABLE): MMC Rx FPE Fragment Counter Interrupt Mask is enabled</p>
2	RW	0x0	<p>PAOCIM MMC Rx Packet Assembly OK Counter Interrupt Mask Setting this bit masks the interrupt when the Rx_Packet_Assemble_Ok_Cntr counter reaches half of the maximum value or the maximum value. Exists when any one of the RX/TX MMC counters are enabled during FPE Enabled configuration. Values: 0x0 (DISABLE): MMC Rx Packet Assembly OK Counter Interrupt Mask is disabled 0x1 (ENABLE): MMC Rx Packet Assembly OK Counter Interrupt Mask is enabled</p>
1	RW	0x0	<p>PSECIM MMC Rx Packet SMD Error Counter Interrupt Mask Setting this bit masks the interrupt when the Rx_Packet_SMD_Err_Cntr counter reaches half of the maximum value or the maximum value. Exists when any one of the RX/TX MMC counters are enabled during FPE Enabled configuration. Values: 0x0 (DISABLE): MMC Rx Packet SMD Error Counter Interrupt Mask is disabled 0x1 (ENABLE): MMC Rx Packet SMD Error Counter Interrupt Mask is enabled</p>
0	RW	0x0	<p>PAECIM MMC Rx Packet Assembly Error Counter Interrupt Mask Setting this bit masks the interrupt when the Rx_Packet_Assemble_Err_Cntr counter reaches half of the maximum value or the maximum value. Exists when any one of the RX/TX MMC counters are enabled during FPE Enabled configuration. Values: 0x0 (DISABLE): MMC Rx Packet Assembly Error Counter Interrupt Mask is disabled 0x1 (ENABLE): MMC Rx Packet Assembly Error Counter Interrupt Mask is enabled</p>

**GMAC MMC Rx Packet Asm Err Cntr**  
Address: Operational Base + offset (0x08c8)

Bit	Attr	Reset Value	Description
31:0	RO	0x00000000	PAEC Rx Packet Assembly Error Counter This field indicates the number of MAC frames with reassembly errors on the Receiver, due to mismatch in the Fragment Count value. Exists when any one of the RX/TX MMC counters are enabled during FPE Enabled configuration.

**GMAC MMC Rx Packet SMD Err Cntr**

Address: Operational Base + offset (0x08cc)

Bit	Attr	Reset Value	Description
31:0	RO	0x00000000	PSEC Rx Packet SMD Error Counter This field indicates the number of MAC frames rejected due to unknown SMD value and MAC frame fragments rejected due to arriving with an SMD-C when there was no preceding preempted frame. Exists when at least one of the RX/TX MMC counters are enabled during FPE Enabled configuration.

**GMAC MMC Rx Packet Assembly OK Cntr**

Address: Operational Base + offset (0x08d0)

Bit	Attr	Reset Value	Description
31:0	RO	0x00000000	PAOC Rx Packet Assembly OK Counter This field indicates the number of MAC frames that were successfully reassembled and delivered to MAC. Exists when at least one of the RX/TX MMC counters are enabled during FPE Enabled configuration.

**GMAC MMC Rx FPE Fragment Cntr**

Address: Operational Base + offset (0x08d4)

Bit	Attr	Reset Value	Description
31:0	RO	0x00000000	FFC Rx FPE Fragment Counter This field indicates the number of additional mPackets received due to preemption exists when at least one of the RX/TX MMC counters are enabled during FPE Enabled configuration.

**GMAC MAC L3 L4 Control0**

Address: Operational Base + offset (0x0900)

Bit	Attr	Reset Value	Description
31:29	RO	0x0	reserved
28	RW	0x0	DMCHEN0 DMA Channel Select Enable When set, this bit enables the selection of the DMA channel number for the packet that is passed by this L3_L4 filter. The DMA channel is indicated by the DMCHN bits. When this bit is reset, the DMA channel is not decided by this filter. Values: 0x0 (DISABLE): DMA Channel Select is disabled 0x1 (ENABLE): DMA Channel Select is enabled
27:25	RO	0x0	reserved

Bit	Attr	Reset Value	Description
24	RW	0x0	<b>DMCHNO</b> DMA Channel Number When DMCHEN is set high, this field selects the DMA Channel number to which the packet passed by this filter is routed. The width of this field depends on the number of the DMA channels present in your configuration.
23:22	RO	0x0	reserved
21	RW	0x0	<b>L4DPIM0</b> Layer 4 Destination Port Inverse Match Enable When this bit is set, the Layer 4 Destination Port number field is enabled for inverse matching. When this bit is reset, the Layer 4 Destination Port number field is enabled for perfect matching. This bit is valid and applicable only when the L4DPM0 bit is set high. Values: 0x0 (DISABLE): Layer 4 Destination Port Inverse Match is disabled 0x1 (ENABLE): Layer 4 Destination Port Inverse Match is enabled
20	RW	0x0	<b>L4DPM0</b> Layer 4 Destination Port Match Enable When this bit is set, the Layer 4 Destination Port number field is enabled for matching. When this bit is reset, the MAC ignores the Layer 4 Destination Port number field for matching. Values: 0x0 (DISABLE): Layer 4 Destination Port Match is disabled 0x1 (ENABLE): Layer 4 Destination Port Match is enabled
19	RW	0x0	<b>L4SPIM0</b> Layer 4 Source Port Inverse Match Enable When this bit is set, the Layer 4 Source Port number field is enabled for inverse matching. When this bit is reset, the Layer 4 Source Port number field is enabled for perfect matching. This bit is valid and applicable only when the L4SPM0 bit is set high. Values: 0x0 (DISABLE): Layer 4 Source Port Inverse Match is disabled 0x1 (ENABLE): Layer 4 Source Port Inverse Match is enabled
18	RW	0x0	<b>L4SPM0</b> Layer 4 Source Port Match Enable When this bit is set, the Layer 4 Source Port number field is enabled for matching. When this bit is reset, the MAC ignores the Layer 4 Source Port number field for matching. Values: 0x0 (DISABLE): Layer 4 Source Port Match is disabled 0x1 (ENABLE): Layer 4 Source Port Match is enabled
17	RO	0x0	reserved

Bit	Attr	Reset Value	Description
16	RW	0x0	<p>L4PEN0 Layer 4 Protocol Enable When this bit is set, the Source and Destination Port number fields of UDP packets are used for matching. When this bit is reset, the Source and Destination Port number fields of TCP packets are used for matching. The Layer 4 matching is done only when the L4SPM0 or L4DPM0 bit is set. Values: 0x0 (DISABLE): Layer 4 Protocol is disabled 0x1 (ENABLE): Layer 4 Protocol is enabled</p>
15:11	RW	0x00	<p>L3HDBM0 Layer 3 IP DA Higher Bits Match IPv4 Packets: This field contains the number of higher bits of IP Destination Address that are matched in the IPv4 packets. The following list describes the values of this field: 0: No bits are masked. 1: LSb[0] is masked 2: Two LSbs [1:0] are masked .. 31: All bits except MSb are masked. IPv6 Packets: Bits[12:11] of this field correspond to Bits[6:5] of L3HSBM0 which indicate the number of lower bits of IP Source or Destination Address that are masked in the IPv6 packets. The following list describes the concatenated values of the L3HDBM0[1:0] and L3HSBM0 bits: 0: No bits are masked. 1: LSb[0] is masked. 2: Two LSbs [1:0] are masked .. 127: All bits except MSb are masked. This field is valid and applicable only when the L3DAM0 or L3SAM0 bit is set.</p>
10:6	RW	0x00	<p>L3HSBM0 Layer 3 IP SA Higher Bits Match IPv4 Packets: This field contains the number of lower bits of IP Source Address that are masked for matching in the IPv4 packets. The following list describes the values of this field: 0: No bits are masked. 1: LSb[0] is masked 2: Two LSbs [1:0] are masked .. 31: All bits except MSb are masked. IPv6 Packets: This field contains Bits[4:0] of L3HSBM0. These bits indicate the number of higher bits of IP Source or Destination Address matched in the IPv6 packets. This field is valid and applicable only when the L3DAM0 or L3SAM0 bit is set high.</p>

Bit	Attr	Reset Value	Description
5	RW	0x0	<p><b>L3DAIM0</b>                      Layer 3 IP DA Inverse Match Enable                      When this bit is set, the Layer 3 IP Destination Address field is enabled for inverse matching. When this bit is reset, the Layer 3 IP Destination Address field is enabled for perfect matching. This bit is valid and applicable only when the L3DAM0 bit is set high.                      Values:                      0x0 (DISABLE): Layer 3 IP DA Inverse Match is disabled                      0x1 (ENABLE): Layer 3 IP DA Inverse Match is enabled</p>
4	RW	0x0	<p><b>L3DAM0</b>                      Layer 3 IP DA Match Enable                      When this bit is set, the Layer 3 IP Destination Address field is enabled for matching. When this bit is reset, the MAC ignores the Layer 3 IP Destination Address field for matching.                      Note: When the L3PEN0 bit is set, you should set either this bit or the L3SAM0 bit because either IPv6 DA or SA can be checked for filtering.                      Values:                      0x0 (DISABLE): Layer 3 IP DA Match is disabled                      0x1 (ENABLE): Layer 3 IP DA Match is enabled</p>
3	RW	0x0	<p><b>L3SAIM0</b>                      Layer 3 IP SA Inverse Match Enable                      When this bit is set, the Layer 3 IP Source Address field is enabled for inverse matching. When this bit reset, the Layer 3 IP Source Address field is enabled for perfect matching. This bit is valid and applicable only when the L3SAM0 bit is set.                      Values:                      0x0 (DISABLE): Layer 3 IP SA Inverse Match is disabled                      0x1 (ENABLE): Layer 3 IP SA Inverse Match is enabled</p>
2	RW	0x0	<p><b>L3SAM0</b>                      Layer 3 IP SA Match Enable                      When this bit is set, the Layer 3 IP Source Address field is enabled for matching. When this bit is reset, the MAC ignores the Layer 3 IP Source Address field for matching.                      Note: When the L3PEN0 bit is set, you should set either this bit or the L3DAM0 bit because either IPv6 SA or DA can be checked for filtering.                      Values:                      0x0 (DISABLE): Layer 3 IP SA Match is disabled                      0x1 (ENABLE): Layer 3 IP SA Match is enabled</p>
1	RO	0x0	reserved
0	RW	0x0	<p><b>L3PEN0</b>                      Layer 3 Protocol Enable                      When this bit is set, the Layer 3 IP Source or Destination Address matching is enabled for IPv6 packets. When this bit is reset, the Layer 3 IP Source or Destination Address matching is enabled for IPv4 packets.                      The Layer 3 matching is done only when the L3SAM0 or L3DAM0 bit is set.                      Values:                      0x0 (DISABLE): Layer 3 Protocol is disabled                      0x1 (ENABLE): Layer 3 Protocol is enabled</p>

**GMAC MAC Layer4 Address0**

Address: Operational Base + offset (0x0904)

Bit	Attr	Reset Value	Description
31:16	RW	0x0000	<p><b>L4DP0</b> Layer 4 Destination Port Number Field When the L4PEN0 bit is reset and the L4DPM0 bit is set in the MAC_L3_L4_Control0 register, this field contains the value to be matched with the TCP Destination Port Number field in the IPv4 or IPv6 packets. When the L4PEN0 and L4DPM0 bits are set in MAC_L3_L4_Control0 register, this field contains the value to be matched with the UDP Destination Port Number field in the IPv4 or IPv6 packets.</p>
15:0	RW	0x0000	<p><b>L4SP0</b> Layer 4 Source Port Number Field When the L4PEN0 bit is reset and the L4SPM0 bit is set in the MAC_L3_L4_Control0 register, this field contains the value to be matched with the TCP Source Port Number field in the IPv4 or IPv6 packets. When the L4PEN0 and L4SPM0 bits are set in MAC_L3_L4_Control0 register, this field contains the value to be matched with the UDP Source Port Number field in the IPv4 or IPv6 packets.</p>

**GMAC MAC Layer3 Addr0 Reg0**

Address: Operational Base + offset (0x0910)

Bit	Attr	Reset Value	Description
31:0	RW	0x00000000	<p><b>L3A00</b> Layer 3 Address 0 Field When the L3PEN0 and L3SAM0 bits are set in the MAC_L3_L4_Control0 register, this field contains the value to be matched with Bits[31:0] of the IP Source Address field in the IPv6 packets. When the L3PEN0 and L3DAM0 bits are set in the MAC_L3_L4_Control0 register, this field contains the value to be matched with Bits[31:0] of the IP Destination Address field in the IPv6 packets. When the L3PEN0 bit is reset and the L3SAM0 bit is set in the MAC_L3_L4_Control0 register, this field contains the value to be matched with the IP Source Address field in the IPv4 packets.</p>

**GMAC MAC Layer3 Addr1 Reg0**

Address: Operational Base + offset (0x0914)

Bit	Attr	Reset Value	Description
31:1	RO	0x00000000	reserved

Bit	Attr	Reset Value	Description
0	RW	0x0	<p><b>L3A10</b> Layer 3 Address 1 Field When the L3PEN0 and L3SAM0 bits are set in the MAC_L3_L4_Control0 register, this field contains the value to be matched with Bits[63:32] of the IP Source Address field in the IPv6 packets. When the L3PEN0 and L3DAM0 bits are set in the MAC_L3_L4_Control0 register, this field contains the value to be matched with Bits[63:32] of the IP Destination Address field in the IPv6 packets. When the L3PEN0 bit is reset and the L3SAM0 bit is set in the MAC_L3_L4_Control0 register, this field contains the value to be matched with the IP Destination Address field in the IPv4 packets.</p>

**GMAC MAC Layer3 Addr2 Reg0**

Address: Operational Base + offset (0x0918)

Bit	Attr	Reset Value	Description
31:0	RW	0x00000000	<p><b>L3A20</b> Layer 3 Address 2 Field When the L3PEN0 and L3SAM0 bits are set in the MAC_L3_L4_Control0 register, this field contains the value to be matched with Bits[95:64] of the IP Source Address field in the IPv6 packets. When the L3PEN0 and L3DAM0 bits are set in the MAC_L3_L4_Control0 register, this field contains the value to be matched with Bits[95:64] of the IP Destination Address field in the IPv6 packets. When the L3PEN0 bit is reset in the MAC_L3_L4_Control0 register, this field is not used.</p>

**GMAC MAC Layer3 Addr3 Reg0**

Address: Operational Base + offset (0x091c)

Bit	Attr	Reset Value	Description
31:0	RW	0x00000000	<p><b>L3A30</b> Layer 3 Address 3 Field When the L3PEN0 and L3SAM0 bits are set in the MAC_L3_L4_Control0 register, this field contains the value to be matched with Bits[127:96] of the IP Source Address field in the IPv6 packets. When the L3PEN0 and L3DAM0 bits are set in the MAC_L3_L4_Control0 register, this field contains the value to be matched with Bits[127:96] of the IP Destination Address field in the IPv6 packets. When the L3PEN0 bit is reset in the MAC_L3_L4_Control0 register, this field is not used.</p>

**GMAC MAC Timestamp Control**

Address: Operational Base + offset (0x0b00)

Bit	Attr	Reset Value	Description
31:29	RO	0x0	reserved



Bit	Attr	Reset Value	Description
28	RW	0x0	<p>AV8021ASMEN AV 802.1AS Mode Enable When this bit is set, the MAC processes only untagged PTP over Ethernet packets for providing PTP status and capturing timestamp snapshots, that is, IEEE 802.1AS mode of operation. When PTP offload feature is enabled, for the purpose of PTP offload, the transport specific field in the PTP header is generated and checked based on the value of this bit.</p> <p>Values: 1'b0: AV 802.1AS Mode is disabled 1'b1: AV 802.1AS Mode is enabled</p>
27:25	RO	0x0	reserved
24	RW	0x0	<p>TXTSSTSM Transmit Timestamp Status Mode When this bit is set, the MAC overwrites the earlier transmit timestamp status even if it is not read by the software. The MAC indicates this by setting the TXTSSMIS bit of the MAC_Tx_Timestamp_Status_Nanoseconds register. When this bit is reset, the MAC ignores the timestamp status of current packet if the timestamp status of previous packet is not read by the software. The MAC indicates this by setting the TXTSSMIS bit of the MAC_Tx_Timestamp_Status_Nanoseconds register.</p> <p>Values: 1'b0: Transmit Timestamp Status Mode is disabled 1'b1: Transmit Timestamp Status Mode is enabled</p>
23:19	RO	0x00	reserved
18	RW	0x0	<p>TSENMADDR Enable MAC Address for PTP Packet Filtering When this bit is set, the DA MAC address (that matches any MAC Address register) is used to filter the PTP packets when PTP is directly sent over Ethernet. When this bit is set, received PTP packets with DA containing a special multicast or unicast address that matches the one programmed in MAC address registers are considered for processing as indicated below, when PTP is directly sent over Ethernet. For normal time stamping operation, MAC address registers 0 to 31 is considered for unicast destination address matching. For PTP offload, only MAC address register 0 is considered for unicast destination address matching.</p> <p>Values: 1'b0: MAC Address for PTP Packet Filtering is disabled 1'b1: MAC Address for PTP Packet Filtering is enabled</p>
17:16	RW	0x0	<p>SNAPTYPSEL Select PTP packets for Taking Snapshots These bits, along with Bits 15 and 14, decide the set of PTP packet types for which snapshot needs to be taken. The encoding is given in Timestamp Snapshot Dependency on Register Bits Table.</p>

Bit	Attr	Reset Value	Description
15	RW	0x0	<p><b>TSMSTRENA</b>            Enable Snapshot for Messages Relevant to Master            When this bit is set, the snapshot is taken only for the messages that are relevant to the master node. Otherwise, the snapshot is taken for the messages relevant to the slave node.            Values:            1'b0: Snapshot for Messages Relevant to Master is disabled            1'b1: Snapshot for Messages Relevant to Master is enabled</p>
14	RW	0x0	<p><b>TSEVNTENA</b>            Enable Timestamp Snapshot for Event Messages            When this bit is set, the timestamp snapshot is taken only for event messages (SYNC, Delay_Req, Pdelay_Req, or Pdelay_Resp). When this bit is reset, the snapshot is taken for all messages except Announce, Management, and Signaling. For more information about the timestamp snapshots, see Timestamp Snapshot Dependency on Register Bits Table.            Values:            1'b0: Timestamp Snapshot for Event Messages is disabled            1'b1: Timestamp Snapshot for Event Messages is enabled</p>
13	RW	0x0	<p><b>TSIPV4ENA</b>            Enable Processing of PTP Packets Sent over IPv4-UDP            When this bit is set, the MAC receiver processes the PTP packets encapsulated in IPv4-UDP packets. When this bit is reset, the MAC ignores the PTP transported over IPv4-UDP packets. This bit is set by default.            Values:            1'b0: Processing of PTP Packets Sent over IPv4-UDP is disabled            1'b1: Processing of PTP Packets Sent over IPv4-UDP is enabled</p>
12	RW	0x0	<p><b>TSIPV6ENA</b>            Enable Processing of PTP Packets Sent over IPv6-UDP            When this bit is set, the MAC receiver processes the PTP packets encapsulated in IPv6-UDP packets. When this bit is clear, the MAC ignores the PTP transported over IPv6-UDP packets.            Values:            1'b0: Processing of PTP Packets Sent over IPv6-UDP is disabled            1'b1: Processing of PTP Packets Sent over IPv6-UDP is enabled</p>
11	RW	0x0	<p><b>TSIPENA</b>            Enable Processing of PTP over Ethernet Packets            When this bit is set, the MAC receiver processes the PTP packets encapsulated directly in the Ethernet packets. When this bit is reset, the MAC ignores the PTP over Ethernet packets.            Values:            1'b0: Processing of PTP over Ethernet Packets is disabled            1'b1: Processing of PTP over Ethernet Packets is enabled</p>
10	RW	0x0	<p><b>TSVER2ENA</b>            Enable PTP Packet Processing for Version 2 Format            When this bit is set, the IEEE 1588 version 2 format is used to process the PTP packets. When this bit is reset, the IEEE 1588 version 1 format is used to process the PTP packets. The IEEE 1588 formats are described in 'PTP Processing and Control'.            Values:            1'b0: PTP Packet Processing for Version 2 Format is disabled            1'b1: PTP Packet Processing for Version 2 Format is enabled</p>

Bit	Attr	Reset Value	Description
9	RW	0x0	<p><b>TSCTRLSSR</b> Timestamp Digital or Binary Rollover Control When this bit is set, the Timestamp Low register rolls over after 0x3B9A_C9FF value (that is, 1 nanosecond accuracy) and increments the timestamp (High) seconds. When this bit is reset, the rollover value of sub-second register is 0x7FFF_FFFF. The sub-second increment must be programmed correctly depending on the PTP reference clock frequency and the value of this bit. Values: 1'b0: Timestamp Digital or Binary Rollover Control is disabled 1'b1: Timestamp Digital or Binary Rollover Control is enabled</p>
8	RW	0x0	<p><b>TSEALL</b> Enable Timestamp for All Packets When this bit is set, the timestamp snapshot is enabled for all packets received by the MAC. Values: 1'b0: Timestamp for All Packets disabled 1'b1: Timestamp for All Packets enabled</p>
7	RO	0x0	reserved
6	RW	0x0	<p><b>PTGE</b> Presentation Time Generation Enable When this bit is set the Presentation Time generation will be enabled. Values: 0x0 (DISABLE): Presentation Time Generation is disabled 0x1 (ENABLE): Presentation Time Generation is enabled</p>
5	RW	0x0	<p><b>TSADDREG</b> Update Addend Register When this bit is set, the content of the Timestamp Addend register is updated in the PTP block for fine correction. This bit is cleared when the update is complete. This bit should be zero before it is set. Access restriction applies. Setting 1 sets. Self-cleared. Setting 0 has no effect. Values: 1'b0: Addend Register is not updated 1'b1: Addend Register is updated</p>
4	RO	0x0	reserved
3	RW	0x0	<p><b>TSUPDT</b> Update Timestamp When this bit is set, the system time is updated (added or subtracted) with the value specified in MAC_System_Time_Seconds_Update and MAC_System_Time_Nanoseconds_Update registers. This bit should be zero before updating it. This bit is reset when the update is complete in hardware. The Timestamp Higher Word register (if enabled during core configuration) is not updated. When Media Clock Generation and Recovery is configured (GMAC_FLEXI_PPS_OUT_EN) and enabled MAC_Presn_Time_Updt should also be updated before setting this field. Access restriction applies. Setting 1 sets. Self-cleared. Setting 0 has no effect. Values: 1'b0: Timestamp is not updated 1'b1: Timestamp is updated</p>

Bit	Attr	Reset Value	Description
2	RW	0x0	<p><b>TSINIT</b>                      Initialize Timestamp                      When this bit is set, the system time is initialized (overwritten) with the value specified in the MAC_System_Time_Seconds_Update and MAC_System_Time_Nanoseconds_Update registers. This bit should be zero before it is updated. This bit is reset when the initialization is complete. The Timestamp Higher Word register (if enabled during core configuration) can only be initialized. When Media Clock Generation and Recovery is configured (GMAC_FLEXI_PPS_OUT_EN) and enabled MAC_Presn_Time_Updt should also be updated before setting this field.                      Access restriction applies. Setting 1 sets. Self-cleared. Setting 0 has no effect.                      Values:                      1'b0: Timestamp is not initialized                      1'b1: Timestamp is initialized</p>
1	RW	0x0	<p><b>TSCFUPDT</b>                      Fine or Coarse Timestamp Update                      When this bit is set, the Fine method is used to update system timestamp. When this bit is reset, Coarse method is used to update the system timestamp.                      Values:                      1'b0: Coarse method is used to update system timestamp                      1'b1: Fine method is used to update system timestamp</p>
0	RW	0x0	<p><b>TSENA</b>                      Enable Timestamp                      When this bit is set, the timestamp is added for Transmit and Receive packets. When disabled, timestamp is not added for transmit and receive packets and the Timestamp Generator is also suspended. You need to initialize the Timestamp (system time) after enabling this mode. On the Receive side, the MAC processes the 1588 packets only if this bit is set.                      Values:                      1'b0: Timestamp is disabled                      1'b1: Timestamp is enabled</p>

**GMAC MAC Sub Second Increment**

Address: Operational Base + offset (0x0b04)

Bit	Attr	Reset Value	Description
31:24	RO	0x00	reserved
23:16	RW	0x00	<p><b>SSINC</b>                      Sub-second Increment Value                      The value programmed in this field is accumulated every clock cycle (of clk_ptp_i) with the contents of the sub-second register. For example, when the PTP clock is 50 MHz (period is 20 ns), you should program 20 (0x14) when the System Time Nanoseconds register has an accuracy of 1 ns [Bit 9 (TSCTRLSSR) is set in MAC_Timestamp_Control]. When TSCTRLSSR is clear, the Nanoseconds register has a resolution of ~0.465 ns. In this case, you should program a value of 43 (0x2B) which is derived by 20 ns/0.465.</p>

**GMAC MAC System Time Secs**

Address: Operational Base + offset (0x0b08)

Bit	Attr	Reset Value	Description
31:0	RW	0x00000000	TSS Timestamp Second The value in this field indicates the current value in seconds of the System Time maintained by the MAC.

**GMAC MAC System Time NS**

Address: Operational Base + offset (0x0b0c)

Bit	Attr	Reset Value	Description
31	RO	0x0	reserved
30:0	RW	0x00000000	TSSS Timestamp Sub Seconds The value in this field has the sub-second representation of time, with an accuracy of 0.46 ns. When Bit 9 is set in MAC_Timestamp_Control, each bit represents 1 ns. The maximum value is 0x3B9A_C9FF after which it rolls-over to zero.

**GMAC MAC Sys Time Secs Update**

Address: Operational Base + offset (0x0b10)

Bit	Attr	Reset Value	Description
31:0	RW	0x00000000	TSS Timestamp Seconds The value in this field is the seconds part of the update. When ADDSUB is reset, this field must be programmed with the seconds part of the update value. When ADDSUB is set, this field must be programmed with the complement of the seconds part of the update value. For example, if 2.000000001 seconds need to be subtracted from the system time, the TSS field in the MAC_Timestamp_Seconds_Update register must be 0xFFFF_FFFE (that is, $2^{32} - 2$ ).

**GMAC MAC Sys Time NS Update**

Address: Operational Base + offset (0x0b14)

Bit	Attr	Reset Value	Description
31	RW	0x0	ADDSUB Add or Subtract Time When this bit is set, the time value is subtracted with the contents of the update register. When this bit is reset, the time value is added with the contents of the update register. Values: 1'b0: Add time 1'b1: Subtract time

Bit	Attr	Reset Value	Description
30:0	RW	0x00000000	<p><b>TSSS</b> Timestamp Sub Seconds The value in this field is the sub-seconds part of the update. When ADDSUB is reset, this field must be programmed with the sub-seconds part of the update value, with an accuracy based on the TSCTRLSSR bit of the MAC_Timestamp_Control register. When ADDSUB is set, this field must be programmed with the complement of the sub-seconds part of the update value as described below.</p> <p>When TSCTRLSSR bit in MAC_Timestamp_Control is set, the programmed value must be <math>10^9 - \text{&lt;sub-second value&gt;}</math>. When TSCTRLSSR bit in MAC_Timestamp_Control is reset, the programmed value must be <math>2^{31} - \text{&lt;sub-second\_value&gt;}</math>. When the TSCTRLSSR bit is reset in the MAC_Timestamp_Control register, each bit represents an accuracy of 0.46 ns. When the TSCTRLSSR bit is set in the MAC_Timestamp_Control register, each bit represents 1 ns and the programmed value should not exceed 0x3B9A_C9FF.</p> <p>For example, if 2.000000001 seconds need to be subtracted from the system time, then the TSSS field in the MAC_Timestamp_Nanoseconds_Update register must be 0x7FFF_FFFF (that is, <math>2^{31} - 1</math>), when TSCTRLSSR bit in MAC_Timestamp_Control is reset and 0x3B9A_C9FF (that is, <math>10^9 - 1</math>), when TSCTRLSSR bit in MAC_Timestamp_Control is set.</p>

**GMAC MAC Timestamp Addend**

Address: Operational Base + offset (0x0b18)

Bit	Attr	Reset Value	Description
31:0	RW	0x00000000	<p><b>TSAR</b> Timestamp Addend Register This field indicates the 32-bit time value to be added to the Accumulator register to achieve time synchronization.</p>

**GMAC MAC Timestamp Status**

Address: Operational Base + offset (0x0b20)

Bit	Attr	Reset Value	Description
31:30	RO	0x0	reserved
29:25	RO	0x00	<p><b>ATSNS</b> Number of Auxiliary Timestamp Snapshots This field indicates the number of Snapshots available in the FIFO. A value equal to the selected depth of FIFO (4, 8, or 16) indicates that the Auxiliary Snapshot FIFO is full. These bits are cleared (to 00000) when the Auxiliary snapshot FIFO clear bit is set. This bit is valid only if the Add IEEE 1588 Auxiliary Snapshot option is selected.</p>

Bit	Attr	Reset Value	Description
24	RO	0x0	<p><b>ATSSTM</b>                      Auxiliary Timestamp Snapshot Trigger Missed                      This bit is set when the Auxiliary timestamp snapshot FIFO is full and external trigger was set. This indicates that the latest snapshot is not stored in the FIFO. This bit is valid only if the Add IEEE 1588 Auxiliary Snapshot option is selected.                      Values:                      1'b0: Auxiliary Timestamp Snapshot Trigger Missed status not detected                      1'b1: Auxiliary Timestamp Snapshot Trigger Missed status detected</p>
23:16	RO	0x00	reserved
15	RO	0x0	<p><b>TXTSSIS</b>                      Tx Timestamp Status Interrupt Status                      In non-EQOS_CORE configurations when drop transmit status is enabled in MTL, this bit is set when the captured transmit timestamp is updated in the MAC_Tx_Timestamp_Status_Nanoseconds and MAC_Tx_Timestamp_Status_Seconds registers. When PTP offload feature is enabled, this bit is set when the captured transmit timestamp is updated in the MAC_Tx_Timestamp_Status_Nanoseconds and MAC_Tx_Timestamp_Status_Seconds registers, for PTO generated Delay Request and Pdelay request packets. This bit is cleared when the MAC_Tx_Timestamp_Status_Seconds register is read (or write to MAC_Tx_Timestamp_Status_Seconds register when RCWE bit of MAC_CSR_SW_Ctrl register is set).                      Values:                      1'b0: Tx Timestamp Status Interrupt status not detected                      1'b1: Tx Timestamp Status Interrupt status detected</p>
14:4	RO	0x000	reserved
3	RO	0x0	<p><b>TSTRGTERR0</b>                      Timestamp Target Time Error                      This bit is set when the latest target time programmed in the MAC_PPS0_Target_Time_Seconds and MAC_PPS0_Target_Time_Nanoseconds registers elapses. This bit is cleared when the application reads this bit.                      Access restriction applies. Clears on read (or this bit is written to 1 when RCWE bit in MAC_CSR_SW_Ctrl register is set). Self-set to 1 on internal event.                      Values:                      1'b0: Timestamp Target Time Error status not detected                      1'b1: Timestamp Target Time Error status detected</p>
2	RO	0x0	<p><b>AUXTSTRIG</b>                      Auxiliary Timestamp Trigger Snapshot                      This bit is set high when the auxiliary snapshot is written to the FIFO. This bit is valid only if the Add IEEE 1588 Auxiliary Snapshot option is selected.                      Access restriction applies. Clears on read (or this bit is written to 1 when RCWE bit in MAC_CSR_SW_Ctrl register is set). Self-set to 1 on internal event.                      Values:                      1'b0: Auxiliary Timestamp Trigger Snapshot status not detected                      1'b1: Auxiliary Timestamp Trigger Snapshot status detected</p>

Bit	Attr	Reset Value	Description
1	RO	0x0	<p><b>TSTARGT0</b> Timestamp Target Time Reached When set, this bit indicates that the value of system time is greater than or equal to the value specified in the MAC_PPS0_Target_Time_Seconds and MAC_PPS0_Target_Time_Nanoseconds registers. Access restriction applies. Clears on read (or this bit is written to 1 when RCWE bit in MAC_CSR_SW_Ctrl register is set). Self-set to 1 on internal event. Values: 1'b0: Timestamp Target Time Reached status not detected 1'b1: Timestamp Target Time Reached status detected</p>
0	RO	0x0	<p><b>TSSOVF</b> Timestamp Seconds Overflow When this bit is set, it indicates that the seconds value of the timestamp (when supporting version 2 format) has overflowed beyond 32'hFFFF_FFFF. Access restriction applies. Clears on read (or this bit is written to 1 when RCWE bit in MAC_CSR_SW_Ctrl register is set). Self-set to 1 on internal event. Values: 1'b0: Timestamp Seconds Overflow status not detected 1'b1: Timestamp Seconds Overflow status detected</p>

**GMAC MAC Tx TS Status NS**

Address: Operational Base + offset (0x0b30)

Bit	Attr	Reset Value	Description
31	RO	0x0	<p><b>TXTSSMIS</b> Transmit Timestamp Status Missed When this bit is set, it indicates one of the following: 1. The timestamp of the current packet is ignored if TXTSSTSM bit of the MAC_Timestamp_Control register is reset. 2. The timestamp of the previous packet is overwritten with timestamp of the current packet if TXTSSTSM bit of the MAC_Timestamp_Control register is set. Access restriction applies. Clears on read. Self-set to 1 on internal event. Values: 1'b0: Transmit Timestamp Status Missed status not detected 1'b1: Transmit Timestamp Status Missed status detected</p>
30:0	RO	0x00000000	<p><b>TXTSSLO</b> Transmit Timestamp Status Low This field contains the 31 bits of the Nanoseconds field of the Transmit packet's captured timestamp.</p>

**GMAC MAC Tx TS Status Secs**

Address: Operational Base + offset (0x0b34)

Bit	Attr	Reset Value	Description
31:0	RO	0x00000000	<p><b>TXTSSHI</b> Transmit Timestamp Status High This field contains the lower 32 bits of the Seconds field of Transmit packet's captured timestamp.</p>

**GMAC MAC Auxiliary Control**

Address: Operational Base + offset (0x0b40)



Bit	Attr	Reset Value	Description
31:5	RO	0x0000000	reserved
4	RW	0x0	<p>ATSENO Auxiliary Snapshot 0 Enable This bit controls the capturing of Auxiliary Snapshot Trigger 0. When this bit is set, the auxiliary snapshot of the event on ptp_aux_trig_i[0] input is enabled. When this bit is reset, the events on this input are ignored.</p> <p>Values: 0x0 (DISABLE): Auxiliary Snapshot 0 is disabled 0x1 (ENABLE): Auxiliary Snapshot 0 is enabled</p>
3:1	RO	0x0	reserved
0	RW	0x0	<p>ATSFC Auxiliary Snapshot FIFO Clear When set, this bit resets the pointers of the Auxiliary Snapshot FIFO. This bit is cleared when the pointers are reset and the FIFO is empty. When this bit is high, the auxiliary snapshots are stored in the FIFO.</p> <p>Access restriction applies. Setting 1 sets. Self-cleared. Setting 0 has no effect.</p> <p>Values: 1'b0: Auxiliary Snapshot FIFO Clear is disabled 1'b1: Auxiliary Snapshot FIFO Clear is enabled</p>

**GMAC MAC Auxiliary TS NS**

Address: Operational Base + offset (0x0b48)

Bit	Attr	Reset Value	Description
31	RO	0x0	reserved
30:0	RO	0x00000000	<p>AUXTSLO Auxiliary Timestamp Contains the lower 31 bits (nanoseconds field) of the auxiliary timestamp.</p>

**GMAC MAC Auxiliary TS Secs**

Address: Operational Base + offset (0x0b4c)

Bit	Attr	Reset Value	Description
31:0	RW	0x00000000	<p>AUXTSHI Auxiliary Timestamp Contains the lower 32 bits of the Seconds field of the auxiliary timestamp.</p>

**GMAC MAC TS Ingress Corr NS**

Address: Operational Base + offset (0x0b58)

Bit	Attr	Reset Value	Description
31:0	RW	0x00000000	<p>TSIC Timestamp Ingress Correction This field contains the ingress path correction value as defined by the Ingress Correction expression.</p>

**GMAC MAC TS Egress Corr NS**

Address: Operational Base + offset (0x0b5c)

Bit	Attr	Reset Value	Description
31:0	RW	0x00000000	<p>TSEC Timestamp Egress Correction This field contains the nanoseconds part of the egress path correction value as defined by the Egress Correction expression.</p>

**GMAC MAC TS Ingress Latency**

Address: Operational Base + offset (0x0b68)

Bit	Attr	Reset Value	Description
31:24	RO	0x00	reserved
23:16	RO	0x00	ITLNS Ingress Timestamp Latency, in sub-nanoseconds This register holds the average latency in sub-nanoseconds between the input ports (phy_rxd_i) of MAC and the actual point (GMII/MII) where the ingress timestamp is taken.
15:8	RO	0x00	ITLSNS Ingress Timestamp Latency, in nanoseconds This register holds the average latency in nanoseconds between the input ports (phy_rxd_i) of MAC and the actual point (GMII/MII) where the ingress timestamp is taken.

**GMAC MAC TS Egress Latency**

Address: Operational Base + offset (0x0b6c)

Bit	Attr	Reset Value	Description
31:24	RO	0x00	reserved
23:16	RO	0x00	ETLNS Egress Timestamp Latency, in nanoseconds This register holds the average latency in nanoseconds between the actual point (GMII/MII) where the egress timestamp is taken and the output ports (phy_txd_o) of the MAC.
15:8	RO	0x00	ETLSNS Egress Timestamp Latency, in sub-nanoseconds This register holds the average latency in sub-nanoseconds between the actual point (GMII/MII) where the egress timestamp is taken and the output ports (phy_txd_o) of the MAC.

**GMAC MAC PPS Control**

Address: Operational Base + offset (0x0b70)

Bit	Attr	Reset Value	Description
31:8	RO	0x000000	reserved
7	RW	0x0	MCGRENO MCGR Mode Enable for PPS0 Output This field enables the 0th PPS instance to operate in PPS or MCGR mode. When set it operates in MCGR mode and on reset it operates in PPS mode. Values: 0x0 (PPS): 0th PPS instance is enabled to operate in PPS mode 0x1 (MCGR): 0th PPS instance is enabled to operate in MCGR mode

Bit	Attr	Reset Value	Description
6:5	RW	0x0	<p>TRGTMODSEL0 Target Time Register Mode for PPS0 Output This field indicates the Target Time registers (MAC_PPS0_Target_Time_Seconds and MAC_PPS0_Target_Time_Nanoseconds) mode for PPS0 output signal: Values: 0x0 (ONLY_INT): Target Time registers are programmed only for generating the interrupt event. The Flexible PPS function must not be enabled in this mode, otherwise spurious transitions may be observed on the corresponding ptp_pps_o output port 0x1 (Reserved): Reserved 0x2 (INT_ST): Target Time registers are programmed for generating the interrupt event and starting or stopping the PPS0 output signal generation 0x3 (ONLY_ST): Target Time registers are programmed only for starting or stopping the PPS0 output signal generation. No interrupt is asserted</p>
4	RW	0x0	<p>PPSEN0 Flexible PPS Output Mode Enable When this bit is set, Bits[3:0] function as PPSCMD. When this bit is reset, Bits[3:0] function as PPSCTRL (Fixed PPS mode). Values: 0x0 (DISABLE): Flexible PPS Output Mode is disabled 0x1 (ENABLE): Flexible PPS Output Mode is enabled</p>

Bit	Attr	Reset Value	Description
3:0	RW	0x0	<p>PPSCTRL_PPSCMD(cont.)            Flexible PPS Output (ptp_pps_o[0]) Control            Programming these bits with a non-zero value instructs the MAC to initiate an event. When the command is transferred or synchronized to the PTP clock domain, these bits get cleared automatically. The software should ensure that these bits are programmed only when they are 'all-zero'. The following list describes the values of PPSCMD0:</p> <p>4'b0000: No Command            4'b0001: START Single Pulse            This command generates single pulse rising at the start point defined in MAC_PPS0_Target_Time_Seconds and MAC_PPS0_Target_Time_Nanoseconds register and of a duration defined in the PPS0 Width Register.            4'b0010: START Pulse Train            This command generates the train of pulses rising at the start point defined in the Target Time Registers and of a duration defined in the PPS0 Width Register and repeated at interval defined in the PPS Interval Register. By default, the PPS pulse train is free-running unless stopped by the 'Stop Pulse train at time' or 'Stop Pulse Train immediately' commands.            4'b0011: Cancel START            This command cancels the START Single Pulse and START Pulse Train commands if the system time has not crossed the programmed start time.            4'b0100: STOP Pulse train at time            This command stops the train of pulses initiated by the START Pulse Train command (PPSCMD = 0010) after the time programmed in the Target Time registers elapses.            4'b0101: STOP Pulse Train immediately            This command immediately stops the train of pulses initiated by the START Pulse Train command (PPSCMD = 0010).            4'b0110: Cancel STOP Pulse train            This command cancels the STOP pulse train at time command if the programmed stop time has not elapsed. The PPS pulse train becomes free-running on the successful execution of this command.            4'b0111-4'b1111: Reserved</p>

Bit	Attr	Reset Value	Description
3:0	RW	0x0	<p>PPSCTRL_PPSCMD PPS Output Frequency Control This field controls the frequency of the PPS0 output (ptp_pps_o[0]) signal. The default value of PPSCTRL is 0000, and the PPS output is 1 pulse (of width clk_ptp_i) every second. For other values of PPSCTRL, the PPS output becomes a generated clock of following frequencies: 4'b0001: The binary rollover is 2 Hz, and the digital rollover is 1 Hz. 4'b0010: The binary rollover is 4 Hz, and the digital rollover is 2 Hz. 4'b0011: The binary rollover is 8 Hz, and the digital rollover is 4 Hz. 4'b0100: The binary rollover is 16 Hz, and the digital rollover is 8 Hz. ... 4'b1111: The binary rollover is 32.768 KHz and the digital rollover is 16.384 KHz. Note: In the binary rollover mode, the PPS output (ptp_pps_o) has a duty cycle of 50 percent with these frequencies. In the digital rollover mode, the PPS output frequency is an average number. The actual clock is of different frequency that gets synchronized every second. For example: 1. When PPSCTRL = 0001, the PPS (1 Hz) has a low period of 537 ms and a high period of 463 ms. 2. When PPSCTRL = 0010, the PPS (2 Hz) is a sequence of One clock of 50 percent duty cycle and 537 ms period Second clock of 463 ms period (268 ms low and 195 ms high). 3. When PPSCTRL = 0011, the PPS (4 Hz) is a sequence of Three clocks of 50 percent duty cycle and 268 ms period Fourth clock of 195 ms period (134 ms low and 61 ms high). This behavior is because of the non-linear toggling of bits in the digital rollover mode in the MAC_System_Time_Nanoseconds register.</p>

**GMAC MAC PPS0 Target Time Seconds**

Address: Operational Base + offset (0x0b80)

Bit	Attr	Reset Value	Description
31:0	RW	0x00000000	<p>TSTRH0 PPS Target Time Seconds Register This field stores the time in seconds. When the timestamp value matches or exceeds both Target Timestamp registers, the MAC starts or stops the PPS signal output and generates an interrupt (if enabled) based on Target Time mode selected for the corresponding PPS output in the MAC_PPS_Control register. If GMAC_FLEXI_PPS_OUT_EN is enabled in the configuration and PTGE field of MAC_Timestamp_Control Register is set with Presentation time control set in recovery mode, then these bits indicate the TPT being programmed by the application and in generation mode it indicates the CPT generated at the sampled trigger.</p>

**GMAC MAC PPS0 Target Time Ns**

Address: Operational Base + offset (0x0b84)

Bit	Attr	Reset Value	Description
31	RW	0x0	<p><b>TRGTBUSY0</b> PPS Target Time Register Busy</p> <p>The MAC sets this bit when the PPSCMD0 field in the MAC_PPS_Control register is programmed to 010 or 011. Programming the PPSCMD0 field to 010 or 011 instructs the MAC to synchronize the Target Time Registers to the PTP clock domain. The MAC clears this bit after synchronizing the Target Time Registers to the PTP clock domain. The application must not update the Target Time Registers when this bit is read as 1. Otherwise, the synchronization of the previous programmed time gets corrupted.</p> <p>Values: 0x0 (INACTIVE): PPS Target Time Register Busy status is not detected 0x1 (ACTIVE): PPS Target Time Register Busy is detected</p>
30:0	RW	0x00000000	<p><b>TTSL0</b> Target Time Low for PPS Register</p> <p>This register stores the time in (signed) nanoseconds. When the value of the timestamp matches the value in both Target Timestamp registers, the MAC starts or stops the PPS signal output and generates an interrupt (if enabled) based on the TRGTMODSEL0 field (Bits [6:5]) in MAC_PPS_Control. When the TSCTRLSSR bit is reset in the MAC_Timestamp_Control register, this value should be (time in ns / 0.465). The actual start or stop time of the PPS signal output may have an error margin up to one unit of sub-second increment value.</p> <p>When the TSCTRLSSR bit is set in the MAC_Timestamp_Control register, this value should not exceed 0x3B9A_C9FF. The actual start or stop time of the PPS signal output may have an error margin up to one unit of sub-second increment value.</p> <p>Access restriction applies. Setting 1 sets. Self-cleared. Setting 0 has no effect.</p>

**GMAC MAC PPS0 Interval**

Address: Operational Base + offset (0x0b88)

Bit	Attr	Reset Value	Description
31:0	RW	0x00000000	<p><b>PPSINT0</b> PPS Output Signal Interval</p> <p>These bits store the interval between the rising edges of PPS0 signal output. The interval is stored in terms of number of units of sub-second increment value. You need to program one value less than the required interval. For example, if the PTP reference clock is 50 MHz (period of 20 ns), and desired interval between the rising edges of PPS0 signal output is 100 ns (that is, 5 units of sub-second increment value), you should program value 4 (5-1) in this register.</p>

**GMAC MAC PPS0 Width**

Address: Operational Base + offset (0x0b8c)

Bit	Attr	Reset Value	Description
31:0	RW	0x00000000	<p>PPSWIDTH0 PPS Output Signal Width These bits store the width between the rising edge and corresponding falling edge of PPS0 signal output. The width is stored in terms of number of units of sub-second increment value. You need to program one value less than the required interval. For example, if PTP reference clock is 50 MHz (period of 20 ns), and width between the rising and corresponding falling edges of PPS0 signal output is 80 ns (that is, four units of sub-second increment value), you should program value 3 (4-1) in this register. Note: The value programmed in this register must be lesser than the value programmed in MAC_PPS0_Interval.</p>

**GMAC MTL Operation Mode**

Address: Operational Base + offset (0x0c00)

Bit	Attr	Reset Value	Description
31:10	RO	0x000000	reserved
9	RW	0x0	<p>CNTCLR Counters Reset When this bit is set, all counters are reset. This bit is cleared automatically after 1 clock cycle. If this bit is set along with CNT_PRESET bit, CNT_PRESET has precedence. Access restriction applies. Setting 1 sets. Self-cleared. Setting 0 has no effect. Values: 0x0 (DISABLE): Counters are not reset 0x1 (ENABLE): All counters are reset</p>
8	RW	0x0	<p>CNTPRST Counters Preset When this bit is set, 1.MTL_TxQ[0-7]_Underflow register is initialized/preset to 12'h7F0. 2.Missed Packet and Overflow Packet counters in MTL_RxQ[0-7]_Missed_Packet_Overflow_Cnt register is initialized/preset to 12'h7F0. Access restriction applies. Setting 1 sets. Self-cleared. Setting 0 has no effect. Values: 0x0 (DISABLE): Counters Preset is disabled 0x1 (ENABLE): Counters Preset is enabled</p>
7	RO	0x0	reserved
6:5	RW	0x0	<p>SCHALG Tx Scheduling Algorithm This field indicates the algorithm for Tx scheduling:Values: 0x0 (WRR): WRR algorithm 0x1 (WFQ): WFQ algorithm when DCB feature is selected. Otherwise, Reserved 0x2 (DWRR): DWRR algorithm when DCB feature is selected. Otherwise, Reserved 0x3 (SP): Strict priority algorithm</p>
4:3	RO	0x0	reserved

Bit	Attr	Reset Value	Description
2	RW	0x0	<p>RAA Receive Arbitration Algorithm This field is used to select the arbitration algorithm for the Rx side.</p> <p>0: Strict priority (SP) Queue 0 has the lowest priority and the last queue has the highest priority.</p> <p>1: Weighted Strict Priority (WSP) Values: 0x0 (SP): Strict priority (SP) 0x1 (WSP): Weighted Strict Priority (WSP)</p>
1	RW	0x0	<p>DTXSTS Drop Transmit Status When this bit is set, the Tx packet status received from the MAC is dropped in the MTL. When this bit is reset, the Tx packet status received from the MAC is forwarded to the application.</p> <p>Values: 0x0 (DISABLE): Drop Transmit Status is disabled 0x1 (ENABLE): Drop Transmit Status is enabled</p>

**GMAC MTL DBG CTL**

Address: Operational Base + offset (0x0c08)

Bit	Attr	Reset Value	Description
31:16	RO	0x0000	reserved
15	RW	0x0	<p>STSIE Transmit Status Available Interrupt Status Enable When this bit is set, an interrupt is generated when Transmit status is available in slave mode.</p> <p>Values: 1'b0: Transmit Packet Available Interrupt Status is disabled 1'b1: Transmit Packet Available Interrupt Status is enabled</p>
14	RW	0x0	<p>PKTIE Receive Packet Available Interrupt Status Enable When this bit is set, an interrupt is generated when EOP of received packet is written to the Rx FIFO.</p> <p>Values: 1'b0: Receive Packet Available Interrupt Status is disabled 1'b1: Receive Packet Available Interrupt Status is enabled</p>
13:12	RW	0x0	<p>FIFOSEL FIFO Selected for Access This field indicates the FIFO selected for debug access: Values: 2'b00: Tx FIFO 2'b01: Tx Status FIFO (only read access when SLVMOD is set) 2'b10: TSO FIFO (cannot be accessed when SLVMOD is set) 2'b11: Rx FIFO</p>



Bit	Attr	Reset Value	Description
11	RW	0x0	<p><b>FIFOWREN</b> FIFO Write Enable When this bit is set, it enables the Write operation on selected FIFO when FIFO Debug Access is enabled. This bit must not be written to 1 when FIFO Debug Access is not enabled, that is FDBGEN bit is 0. Access restriction applies. Self-cleared. Setting 0 clears. Setting 1 sets. Values: 1'b0: FIFO Write is disabled 1'b1: FIFO Write is enabled</p>
10	RW	0x0	<p><b>FIFORDEN</b> FIFO Read Enable When this bit is set, it enables the Read operation on selected FIFO when FIFO Debug Access is enabled. This bit must not be written to 1 when FIFO Debug Access is not enabled, that is FDBGEN bit is 0. Access restriction applies. Self-cleared. Setting 0 clears. Setting 1 sets. Values: 1'b0: FIFO Read is disabled 1'b1: FIFO Read is enabled</p>
9	RW	0x0	<p><b>RSTSEL</b> Reset Pointers of Selected FIFO When this bit is set, the pointers of the currently-selected FIFO are reset when FIFO Debug Access is enabled. This bit must not be written to 1 when FIFO Debug Access is not enabled, that is FDBGEN bit is 0. Access restriction applies. Self-cleared. Setting 0 clears. Setting 1 sets. Values: 1'b0: Reset Pointers of Selected FIFO is disabled 1'b1: Reset Pointers of Selected FIFO is enabled</p>
8	RW	0x0	<p><b>RSTALL</b> Reset All Pointers When this bit is set, the pointers of all FIFOs are reset when FIFO Debug Access is enabled. This bit must not be written to 1 when FIFO Debug Access is not enabled, that is FDBGEN bit is 0. Access restriction applies. Self-cleared. Setting 0 clears. Setting 1 sets. Values: 1'b0: Reset All Pointers is disabled 1'b1: Reset All Pointers is enabled</p>
7	RO	0x0	reserved

Bit	Attr	Reset Value	Description
6:5	RW	0x0	<p><b>PKTSTATE</b>                      Encoded Packet State                      This field is used to write the control information to the Tx FIFO or Rx FIFO.                      Tx FIFO:                      2'b00: Packet Data                      2'b01: Control Word                      2'b10: SOP Data                      2'b11: EOP Data                      Rx FIFO:                      2'b00: Packet Data                      2'b01: Normal Status                      2'b10: Last Status                      2'b11: EOP                      Values:                      2'b00: Packet Data                      2'b01: Control Word/Normal Status                      2'b10: SOP Data/Last Status                      2'b11: EOP Data/EOP</p>
4	RO	0x0	reserved
3:2	RW	0x0	<p><b>BYTEEN</b>                      Byte Enables                      This field indicates the number of data bytes valid in the data register during Write operation. This is valid only when PKTSTATE is 2'b10 (EOP) and Tx FIFO or Rx FIFO is selected.                      Values:                      2'b00: Byte 0 valid                      2'b01: Byte 0 and Byte 1 are valid                      2'b10: Byte 0, Byte 1, and Byte 2 are valid                      2'b11: All four bytes are valid</p>
1	RW	0x0	<p><b>DBGMOD</b>                      Debug Mode Access to FIFO                      When this bit is set, it indicates that the current access to the FIFO is read, write, and debug access. In this mode, the following access types are allowed:                      1. Read and Write access to Tx FIFO, TSO FIFO, and Rx FIFO                      2. Read access is allowed to Tx Status FIFO.                      When this bit is reset, it indicates that the current access to the FIFO is slave access bypassing the DMA. In this mode, the following access are allowed:                      1. Write access to the Tx FIFO                      2. Read access to the Rx FIFO and Tx Status FIFO                      Values:                      1'b0: Debug Mode Access to FIFO is disabled                      1'b1: Debug Mode Access to FIFO is enabled</p>
0	RW	0x0	<p><b>FDBGEN</b>                      FIFO Debug Access Enable                      When this bit is set, it indicates that the debug mode access to the FIFO is enabled. When this bit is reset, it indicates that the FIFO can be accessed only through a master interface.                      Values:                      1'b0: FIFO Debug Access is disabled                      1'b1: FIFO Debug Access is enabled</p>

**GMAC MTL DBG STS**

Address: Operational Base + offset (0x0c0c)

Bit	Attr	Reset Value	Description
31:16	RO	0x0000	reserved
15	RO	0x320	<p>LOCR Remaining Locations in the FIFO Slave Access Mode: This field indicates the space available in selected FIFO. Debug Access Mode: This field contains the Write or Read pointer value of the selected FIFO during Write or Read operation, respectively. Reset: In single Tx Queue configurations, (GMAC_TXFIFO_SIZE/(GMAC_DATAWIDTH/8)), Otherwise 0000H.</p>
14:10	RO	0x00	reserved
9	RW	0x0	<p>STSI Transmit Status Available Interrupt Status When set, this bit indicates that the Slave mode Tx packet is transmitted, and the status is available in Tx Status FIFO. This bit is reset when 1 is written to this bit. Values: 1'b0: Transmit Status Available Interrupt Status not detected 1'b1: Transmit Status Available Interrupt Status detected</p>
8	RW	0x0	<p>PKTI Receive Packet Available Interrupt Status When set, this bit indicates that MAC layer has written the EOP of received packet to the Rx FIFO. This bit is reset when 1 is written to this bit. Values: 1'b0: Receive Packet Available Interrupt Status not detected 1'b1: Receive Packet Available Interrupt Status detected</p>
7:5	RO	0x0	reserved
4:3	RO	0x0	<p>BYTEEN Byte Enables This field indicates the number of data bytes valid in the data register during Read operation. This is valid only when PKTSTATE is 2'b10 (EOP) and Tx FIFO or Rx FIFO is selected. Values: 2'b00: Byte 0 valid 2'b01: Byte 0 and Byte 1 are valid 2'b10: Byte 0, Byte 1, and Byte 2 are valid 2'b11: All four bytes are valid</p>

Bit	Attr	Reset Value	Description
2:1	RO	0x0	<p>PKTSTATE Encoded Packet State This field is used to get the control or status information of the selected FIFO. Tx FIFO: 2'b00: Packet Data 2'b01: Control Word 2'b10: SOP Data 2'b11: EOP Data Rx FIFO: 2'b00: Packet Data 2'b01: Normal Status 2'b10: Last Status 2'b11: EOP This field is applicable only for Tx FIFO and Rx FIFO during Read operation. Values: 2'b00: Packet Data 2'b01: Control Word/Normal Status 2'b10: SOP Data/Last Status 2'b11: EOP Data/EOP</p>
0	RO	0x0	<p>FIFOBUSY FIFO Busy When set, this bit indicates that a FIFO operation is in progress in the MAC and content of the following fields is not valid: 1. All other fields of this register 2. All fields of the MTL_FIFO_Debug_Data register Values: 1'b0: FIFO Busy not detected 1'b1: FIFO Busy detected</p>

**GMAC MTL FIFO Debug Data**

Address: Operational Base + offset (0x0c10)

Bit	Attr	Reset Value	Description
31:0	RW	0x00000000	<p>FDBGDATA FIFO Debug Data During debug or slave access write operation, this field contains the data to be written to the Tx FIFO, Rx FIFO, or TSO FIFO. During debug or slave access read operation, this field contains the data read from the Tx FIFO, Rx FIFO, TSO FIFO, or Tx Status FIFO.</p>

**GMAC MTL Interrupt Status**

Address: Operational Base + offset (0x0c20)

Bit	Attr	Reset Value	Description
31:19	RO	0x0000	reserved
18	RO	0x0	<p>ESTIS EST (TAS- 802.1Qbv) Interrupt Status This bit indicates an interrupt event during the operation of 802.1Qbv. To reset this bit, the application must clear the error/event that has caused the Interrupt. Values: 0x0 (INACTIVE): EST (TAS- 802.1Qbv) Interrupt status not detected 0x1 (ACTIVE): EST (TAS- 802.1Qbv) Interrupt status detected</p>

Bit	Attr	Reset Value	Description
17	RO	0x0	<p>DBGIS Debug Interrupt status This bit indicates an interrupt event during the slave access. To reset this bit, the application must read the FIFO Debug Access Status register to get the exact cause of the interrupt and clear its source. Values: 1'b0: Debug Interrupt status not detected 1'b1: Debug Interrupt status detected</p>
16:2	RO	0x0000	reserved
1	RO	0x0	<p>Q1IS Queue 1 Interrupt status This bit indicates that there is an interrupt from Queue 1. To reset this bit, the application must read the MTL_Q1_Interrupt_Control_Status register to get the exact cause of the interrupt and clear its source. Values: 0x0 (INACTIVE): Queue 1 Interrupt status not detected 0x1 (ACTIVE): Queue 1 Interrupt status detected</p>
0	RO	0x0	<p>Q0IS Queue 0 Interrupt status This bit indicates that there is an interrupt from Queue 0. To reset this bit, the application must read Queue 0 Interrupt Control and Status register to get the exact cause of the interrupt and clear its source. Values: 1'b0: Queue 0 Interrupt status not detected 1'b1: Queue 0 Interrupt status detected</p>

**GMAC MTL RxQ DMA Map0**

Address: Operational Base + offset (0x0c30)

Bit	Attr	Reset Value	Description
31:13	RO	0x00000	reserved
12	RW	0x0	<p>Q1DDMACH Queue 1 Enabled for DA-based DMA Channel Selection When set, this bit indicates that the packets received in Queue 1 are routed to a particular DMA channel as decided in the MAC Receiver based on the DMA channel number programmed in the L3-L4 filter registers, or the Ethernet DA address. When reset, this bit indicates that the packets received in Queue 1 are routed to the DMA Channel programmed in the Q1MDMACH field (Bits[10:8]). Values: 0x0 (DISABLE): Queue 1 disabled for DA-based DMA Channel Selection 0x1 (ENABLE): Queue 1 enabled for DA-based DMA Channel Selection</p>
11:9	RO	0x0	reserved

Bit	Attr	Reset Value	Description
8	RW	0x0	<p><b>Q1MDMACH</b> Queue 1 Mapped to DMA Channel This field controls the routing of the received packet in Queue 1 to the DMA channel: 000: DMA Channel 0 001: DMA Channel 1 010: DMA Channel 2 011: DMA Channel 3 100: DMA Channel 4 101: DMA Channel 5 110: DMA Channel 6 111: DMA Channel 7 This field is valid when the Q1DDMACH field is reset. The width of this field depends on the number of RX DMA channels and not all the values may be valid in some configurations. For example, if the number of RX DMA channels selected is 2, only 000 and 001 are valid, the other bits are reserved.</p>
7:5	RO	0x0	reserved
4	RW	0x0	<p><b>Q0DDMACH</b> Queue 0 Enabled for DA-based DMA Channel Selection When set, this bit indicates that the packets received in Queue 0 are routed to a particular DMA channel as decided in the MAC Receiver based on the DMA channel number programmed in the L3-L4 filter registers, or the Ethernet DA address. When reset, this bit indicates that the packets received in Queue 0 are routed to the DMA Channel programmed in the Q0MDMACH field. Values: 0x0 (DISABLE): Queue 0 disabled for DA-based DMA Channel Selection 0x1 (ENABLE): Queue 0 enabled for DA-based DMA Channel Selection</p>
3:1	RO	0x0	reserved
0	RW	0x0	<p><b>Q0MDMACH</b> Queue 0 Mapped to DMA Channel This field controls the routing of the packet received in Queue 0 to the DMA channel: 000: DMA Channel 0 001: DMA Channel 1 010: DMA Channel 2 011: DMA Channel 3 100: DMA Channel 4 101: DMA Channel 5 110: DMA Channel 6 111: DMA Channel 7 This field is valid when the Q0DDMACH field is reset. The width of this field depends on the number of RX DMA channels and not all the values may be valid in some configurations. For example, if the number of RX DMA channels selected is 2, only 000 and 001 are valid, the other bits are reserved.</p>

**GMAC MTL TBS CTRL**

Address: Operational Base + offset (0x0c40)

Bit	Attr	Reset Value	Description
31:8	RW	0x000000	LEOS Launch Expiry Offset The value in units of 256 nanoseconds that has to be added to the Launch time to compute the Launch Expiry time. Value valid only when LEOV is set. Max value: 999,999,999 ns, additionally should be smaller than CTR-1 value when ESTM mode is set since this value is a modulo CTR value.
7	RO	0x0	reserved
6:4	RW	0x0	LEGOS Launch Expiry GSN Offset The number GSN slots that has to be added to the Launch GSN to compute the Launch Expiry time. Value valid only when LEOV is set.
3:2	RO	0x0	reserved
1	RW	0x0	LEOV Launch Expiry Offset Valid When set indicates the LEOS field is valid. When not set, indicates the Launch Expiry Offset is not valid and the MTL must not check for Launch expiry time. Values: 0x0 (INVALID): LEOS field is invalid 0x1 (VALID): LEOS field is valid
0	RW	0x0	ESTM EST offset Mode When this bit is set, the Launch Time value used in Time Based Scheduling is interpreted as an EST offset value and is added to the Base Time Register (BTR) of the current list. When reset, the Launch Time value is used as an absolute value that should be compared with the System time [39:8]. Values: 0x0 (DISABLE): EST offset Mode is disabled 0x1 (ENABLE): EST offset Mode is enabled

**GMAC MTL EST Control**

Address: Operational Base + offset (0x0c50)

Bit	Attr	Reset Value	Description
31:24	RW	0x00	PTOV PTP Time Offset Value The value of PTP Clock period multiplied by 6 in nanoseconds. This value is needed to avoid transmission overruns at the beginning of the installation of a new GCL.
23	RO	0x0	reserved
22:11	RW	0x000	CTOV Current Time Offset Value Provides a 12 bit time offset value in nano second that is added to the current time to compensate for all the implementation pipeline delays such as the CDC sync delay, buffering delays, data path delays etc. This offset helps to ensure that the impact of gate controls is visible on the line exactly at the pre-determined schedule (or as close to the schedule as possible).

Bit	Attr	Reset Value	Description
10:8	RW	0x0	<p>TILS Time Interval Left Shift Amount This field provides the left shift amount for the programmed Time Interval values used in the Gate Control Lists. 000: No left shift needed (equal to x1ns) 001: Left shift TI by 1 bit (equal to x2ns) 010: Left shift TI by 2 bits (equal to x4ns) ... 100: Left shift TI by 7 bits (equal to x128ns) Based on the configuration one or more bits of this field should be treated as Reserved/Read-Only.</p>
7:6	RW	0x0	<p>LCSE Loop Count to report Scheduling Error Programmable number of GCL list iterations before reporting an HLBS error defined in EST_Status register. Values: 0x0 (4_ITERNS): 4 iterations 0x1 (8_ITERNS): 8 iterations 0x2 (16_ITERNS): 16 iterations 0x3 (32_ITERNS): 32 iterations</p>
5	RW	0x0	<p>DFBS Drop Frames causing Scheduling Error When set frames reported to cause HOL Blocking due to not getting scheduled (HLBS field of EST_Status register) after 4,8,16,32 (based on LCSE field of this register) GCL iterations are dropped. Values: 0x0 (DONT_DROP): Do not Drop Frames causing Scheduling Error 0x1 (DROP): Drop Frames causing Scheduling Error</p>
4	RW	0x0	<p>DDBF Do not Drop frames during Frame Size Error When set, frames are not be dropped during Head-of-Line blocking due to Frame Size Error (HLBF field of EST_Status register). Values: 0x0 (DROP): Drop frames during Frame Size Error 0x1 (DONT_DROP): Do not Drop frames during Frame Size Error</p>
3:2	RO	0x0	reserved
1	RW	0x0	<p>SSWL Switch to S/W owned list When set indicates that the software has programmed that list that it currently owns (SWOL) and the hardware should switch to the new list based on the new BTR. Hardware clears this bit when the switch to the SWOL happens to indicate the completion of the switch or when an BTR error (BTRE in Status register) is set. When BTRE is set this bit is cleared but SWOL is not updated as the switch was not successful. Access restriction applies. Setting 1 sets. Self-cleared. Setting 0 has no effect. Values: 0x0 (DISABLE): Switch to S/W owned list is disabled 0x1 (ENABLE): Switch to S/W owned list is enabled</p>



Bit	Attr	Reset Value	Description
0	RW	0x0	<p><b>EEST</b>                      Enable EST                      When reset, the gate control list processing is halted and all gates are assumed to be in Open state. Should be set for the hardware to start processing the gate control lists. During the toggle from 0 to 1, the gate control list processing starts only after the SSWL bit is set.                      When GMAC_ASP_ECC is selected during the configuration, if any uncorrectable error is detected in the EST memory the hardware will reset this bit and disable the EST function.                      Values:                      0x0 (DISABLE): EST is disabled                      0x1 (ENABLE): EST is enabled</p>

**GMAC MTL EST Status**

Address: Operational Base + offset (0x0c58)

Bit	Attr	Reset Value	Description
31:20	RO	0x000	reserved
19:16	RO	0x0	<p><b>CGSN</b>                      Current GCL Slot Number                      Indicates the slot number of the GCL list. Slot number is a modulo 16 count of the GCL List loops executed so far. Even if a new GCL list is installed, the count is incremental.</p>
15:12	RO	0x0	reserved
11:8	RO	0x0	<p><b>BTRL</b>                      BTR Error Loop Count                      Provides the minimum count (N) for which the equation Current Time =&lt; New BTR + (N * New Cycle Time) becomes true. N = "1111" indicates the iterations exceeded the value of 8 and the hardware was not able to update New BTR to be equal to or greater than Current Time. Software intervention is needed to update the New BTR. Value cleared when BTRE field of this register is cleared.</p>
7	RO	0x0	<p><b>SWOL</b>                      S/W owned list                      When '0' indicates Gate control list number "0" is owned by software and when "1" indicates the Gate Control list "1" is owned by the software. Any reads/writes by the software (using indirect access via GCL_Control) is directed to the list indicated by this value by default. The inverse of this value is treated as HWOL.                      R/W operations performed by hardware are directed to the list pointed by HWOL by default.                      Values:                      0x0 (INACTIVE): Gate control list number "0" is owned by software                      0x1 (ACTIVE): Gate control list number "1" is owned by software</p>
6:5	RO	0x0	reserved

Bit	Attr	Reset Value	Description
4	RW	0x0	<p><b>CGCE</b> Constant Gate Control Error This error occurs when the list length (LLR) is 1 and the programmed Time Interval (TI) value after the optional Left Shifting is less than or equal to the Cycle Time (CTR). The above programming implies Gates are either always Closed or always Open based on the Gate Control values; the same effect can be achieved by other simpler (non TSN) programming mechanisms. Since the implementation does not support such a programming an error is reported. Access restriction applies. Self-set to 1 on internal event. Setting 1 clears. Setting 0 has no effect.</p> <p>Values: 0x0 (INACTIVE): Constant Gate Control Error not detected 0x1 (ACTIVE): Constant Gate Control Error detected</p>
3	RO	0x0	<p><b>HLBS</b> Head-Of-Line Blocking due to Scheduling Set when the frame is not able to win arbitration and get scheduled even after 4 iterations of the GCL. Indicates to software a potential programming error. The one hot encoded values of the Queue Numbers that are not able to make progress are indicated in the MTL_EST_Sch_Error register. Bit cleared when MTL_EST_Sch_Error register is all zeros.</p> <p>Values: 0x0 (INACTIVE): Head-Of-Line Blocking due to Scheduling not detected 0x1 (ACTIVE): Head-Of-Line Blocking due to Scheduling detected</p>
2	RO	0x0	<p><b>HLBF</b> Head-Of-Line Blocking due to Frame Size Set when HOL Blocking is noticed on one or more Queues as a result of none of the Time Intervals of gate open in the GCL being greater than or equal to the duration needed for frame size (or frame fragment size when preemption is enabled) transmission. The one hot encoded Queue numbers that are experiencing HLBF are indicated in the MTL_EST_Frm_Size_Error register. Additionally, the first Queue number that experienced HLBF along with the frame size is captured in MTL_EST_Frm_Size_Capture register. Bit cleared when MTL_EST_Frame_Size_Error register is all zeros.</p> <p>Values: 0x0 (INACTIVE): Head-Of-Line Blocking due to Frame Size not detected 0x1 (ACTIVE): Head-Of-Line Blocking due to Frame Size detected</p>

Bit	Attr	Reset Value	Description
1	RW	0x0	<p>BTRE BTR Error When "1" indicates a programming error in the BTR of SWOL where the programmed value is less than current time. If the BTRL = "1111", SWOL is not updated and Software should reprogram the BTR to a value greater than current time and then set SSWL to reinitiate the switch to SWOL. Else if the value of BTRL &lt; "1111", SWOL is updated and this field indicates the number of iterations (of + CycleTime) taken by hardware to update the BTR to a value greater than Current Time. Access restriction applies. Self-set to 1 on internal event. Setting 1 clears. Setting 0 has no effect. Values: 0x0 (INACTIVE): BTR Error not detected 0x1 (ACTIVE): BTR Error detected</p>
0	RW	0x0	<p>SWLC Switch to S/W owned list Complete When "1" indicates the hardware has successfully switched to the SWOL, and the SWOL bit has been updated to that effect. Cleared when the SSWL of EST_Control register transitions from 0 to 1, or on a software write. Access restriction applies. Self-set to 1 on internal event. Setting 1 clears. Setting 0 has no effect. Values: 0x0 (INACTIVE): Switch to S/W owned list Complete not detected 0x1 (ACTIVE): Switch to S/W owned list Complete detected</p>

**GMAC MTL EST Sch Error**

Address: Operational Base + offset (0x0c60)

Bit	Attr	Reset Value	Description
31:2	RO	0x00000000	reserved
1:0	RW	0x0	<p>SEQN Schedule Error Queue Number The One Hot Encoded Queue Numbers that have experienced error/timeout described in HLBS field of status register. Access restriction applies. Self-set to 1 on internal event. Setting 1 clears. Setting 0 has no effect.</p>

**GMAC MTL EST Frm Size Error**

Address: Operational Base + offset (0x0c64)

Bit	Attr	Reset Value	Description
31:2	RO	0x00000000	reserved
1:0	RW	0x0	<p>FEQN Frame Size Error Queue Number The One Hot Encoded Queue Numbers that have experienced error described in HLBF field of status register. Access restriction applies. Self-set to 1 on internal event. Setting 1 clears. Setting 0 has no effect.</p>

**GMAC MTL EST Frm Size Capture**

Address: Operational Base + offset (0x0c68)

Bit	Attr	Reset Value	Description
31:17	RO	0x0000	reserved

Bit	Attr	Reset Value	Description
16	RO	0x0	<b>HLBF</b> Queue Number of HLBF Captures the binary value of the of the first Queue (number) experiencing HLBF error (see HLBF field of status register). Value once written is not altered by any subsequent queue errors of similar nature. Once cleared the queue number of the next occurring HLBF error is captured. Width is based on the number of Tx Queues configured; remaining bits are Read-Only. Cleared when MTL_EST_Frm_Size_Error register is all zeros.
15	RO	0x0	reserved
14:0	RO	0x0000	<b>HBFS</b> Frame Size of HLBF Captures the Frame Size of the dropped frame related to queue number indicated in HLBF field of this register. Contents of this register should be considered invalid, if this field is zero. Cleared when MTL_EST_Frm_Size_Error register is all zeros.

**GMAC MTL\_EST Intr Enable**

Address: Operational Base + offset (0x0c70)

Bit	Attr	Reset Value	Description
31:5	RO	0x0000000	reserved
4	RW	0x0	<b>CGCE</b> Interrupt Enable for CGCE When set, generates interrupt when the Constant Gate Control Error occurs and is indicated in the status. When reset this event does not generate an interrupt Values: 0x0 (DISABLE): Interrupt for CGCE is disabled 0x1 (ENABLE): Interrupt for CGCE is enabled
3	RW	0x0	<b>IEHS</b> Interrupt Enable for HLBS When set, generates interrupt when the Head-of-Line Blocking due to Scheduling issue and is indicated in the status. When reset this event does not generate an interrupt. Values: 0x0 (DISABLE): Interrupt for HLBS is disabled 0x1 (ENABLE): Interrupt for HLBS is enabled
2	RW	0x0	<b>IEHF</b> Interrupt Enable for HLBF When set, generates interrupt when the Head-of-Line Blocking due to Frame Size error occurs and is indicated in the status. When reset this event does not generate an interrupt. Values: 0x0 (DISABLE): Interrupt for HLBF is disabled 0x1 (ENABLE): Interrupt for HLBF is enabled
1	RW	0x0	<b>IEBE</b> Interrupt Enable for BTR Error When set, generates interrupt when the BTR Error occurs and is indicated in the status. When reset this event does not generate an interrupt. Values: 0x0 (DISABLE): Interrupt for BTR Error is disabled 0x1 (ENABLE): Interrupt for BTR Error is enabled

Bit	Attr	Reset Value	Description
0	RW	0x0	<p>IECC Interrupt Enable for Switch List When set, generates interrupt when the configuration change is successful and the hardware has switched to the new list. When reset this event does not generate an interrupt. Values: 0x0 (DISABLE): Interrupt for Switch List is disabled 0x1 (ENABLE): Interrupt for Switch List is enabled</p>

**GMAC MTL EST GCL Control**

Address: Operational Base + offset (0x0c80)

Bit	Attr	Reset Value	Description
31:24	RO	0x00	reserved
23:22	RW	0x0	<p>ESTEIEC ECC Inject Error Control for EST Memory When EIEE bit of this register is set, following are the errors inserted based on the value encoded in this field. This filed will be valid only if GMAC_ASP_ECC feature is selected during the configuration, else it will be reserved. Values: 0x0 (1BIT): Insert 1 bit error 0x1 (2BIT): Insert 2 bit errors 0x2 (3BIT): Insert 3 bit errors 0x3 (1BIT_ADDR): Insert 1 bit error in address field</p>
21	RO	0x0	<p>ESTEIEE EST ECC Inject Error Enable When set along with EEST bit of MTL_EST_Control register, enables the ECC error injection feature. When reset, disables the ECC error injection feature. Values: 0x0 (DISABLE): EST ECC Inject Error is disabled 0x1 (ENABLE): EST ECC Inject Error is enabled</p>
20	RW	0x0	<p>ERR0 When set indicates the last write operation was aborted as software writes to GCL and GCL registers is prohibited when SSWL bit of MTL_EST_Control Register is set. Access restriction applies. Self-set to 1 on internal event. Setting 1 clears. Setting 0 has no effect. Values: 0x0 (DISABLE): ERR0 is disabled 0x1 (ENABLE): ERR1 is enabled</p>
19:16	RO	0x0	reserved

Bit	Attr	Reset Value	Description
15:8	RW	0x00	<p>ADDR Gate Control List Address: (GCLA when GCRR is "0"). Provides the address (row number) of the Gate Control List at which the R/W operation has to be performed. By default the Gate Control List pointed by SWOL of MTL_EST_Status is selected for R/W, however if the DBGGM bit of this register is set, a debug mode access is given to R/W from DBGB. The width of this field is dependent on GMAC_EST_DEP; unused bits should be treated as read only. Gate Control list Related Registers Address: (GCRA when GCRR is "1"). By default the GCL related register set pointed by SWOL of MTL_EST_Status is selected for R/W, however if the DBGGM bit of this register is set, a debug mode access is given to R/W from DBGB. Lower 3 bits are only used in this mode, higher order bits are treated as dont cares.</p> <p>000: BTR Low (31:0) 001: BTR High (63:31) 010: CTR Low (31:0) 011: CTR High (39:32) 100: TER (31:0) 101: LLR (n:0) (where n is (logGMAC_EST_DEP / log2)) Others: Reserved</p>
7:6	RO	0x0	reserved
5	RW	0x0	<p>DBGB Debug Mode Bank Select When set to "0" indicates R/W in debug mode should be directed to Bank 0 (GCL0 and corresponding Time related registers). When set to "1" indicates R/W in debug mode should be directed to Bank 1 (GCL1 and corresponding Time related registers). This value is used when DBGGM is set and overrides by value of SWOL which is normally used.</p> <p>Values: 0x0 (BANK0): R/W in debug mode should be directed to Bank 0 0x1 (BANK1): R/W in debug mode should be directed to Bank 1</p>
4	RW	0x0	<p>DBGM Debug Mode When set to "1" indicates R/W in debug mode where the memory bank (for GCL and Time related registers) is explicitly provided by DBGB value, when set to "0" SWOL bit is used to determine which bank to use.</p> <p>Values: 0x0 (DISABLE): Debug Mode is disabled 0x1 (ENABLE): Debug Mode is enabled</p>
3	RO	0x0	reserved
2	RW	0x0	<p>GCRR Gate Control Related Registers When set to "1" indicates the R/W access is for the GCL related registers (BTR, CTR, TER, LLR) whose address is provided by GCRA. When "0" indicates R/W should be directed to GCL from the address provided by GCLA.</p> <p>Values: 0x0 (DISABLE): Gate Control Related Registers are disabled 0x1 (ENABLE): Gate Control Related Registers are enabled</p>

Bit	Attr	Reset Value	Description
1	RW	0x0	R1W0 Read '1', Write '0': When set to '1': Read Operation When set to '0': Write Operation. Values: 0x0 (WRITE): Write Operation 0x1 (READ): Read Operation
0	RW	0x0	SRWO Start Read/Write Op When set indicates a Read/Write Op has started and is in progress. When reset by hardware indicates the R/W Op has completed or an error has occurred (when bit 20 is set) Reads: Data can be read from MTL_EST_GCL_Data register after this bit is reset Writes: MTL_EST_GCL_Data should be programmed with write data before setting SRWO. Access restriction applies. Setting 1 sets. Self-cleared. Setting 0 has no effect. Values: 0x0 (DISABLE): Start Read/Write Op disabled 0x1 (ENABLE): Start Read/Write Op enabled

**GMAC MTL EST GCL Data**

Address: Operational Base + offset (0x0c84)

Bit	Attr	Reset Value	Description
31:0	RW	0x00000000	GCD Gate Control Data The data corresponding to the address selected in the GCL_Control register. Used for both Read and Write operations.

**GMAC MTL FPE CTRL STS**

Address: Operational Base + offset (0x0c90)

Bit	Attr	Reset Value	Description
31:29	RO	0x0	reserved
28	RO	0x0	HRS Hold/Release Status 1: Indicates a Set-and-Hold-MAC operation was last executed and the pMAC is in Hold State. 0: Indicates a Set-and-Release-MAC operation was last executed and the pMAC is in Release State. Values: 0x0 (SET_REL): Indicates a Set-and-Release-MAC operation was last executed and the pMAC is in Release State 0x1 (SET_HOLD): Indicates a Set-and-Hold-MAC operation was last executed and the pMAC is in Hold State
27:10	RO	0x00000	reserved
9:8	RW	0x0	PEC Preemption Classification When set indicates the corresponding Queue must be classified as preemptable, when '0' Queue is classified as express. When both EST (Qbv) and Preemption are enabled, Queue-0 is always assumed to be preemptable. When EST (Qbv) is enabled Queues categorized as preemptable here are always assumed to be in "Open" state in the Gate Control List.

Bit	Attr	Reset Value	Description
7:2	RO	0x00	reserved
1:0	RW	0x0	AFSZ Additional Fragment Size used to indicate, in units of 64 bytes, the minimum number of bytes over 64 bytes required in non-final fragments of preempted frames. The minimum non-final fragment size is (AFSZ + 1) * 64 byte.

**GMAC MTL FPE Advance**

Address: Operational Base + offset (0x0c94)

Bit	Attr	Reset Value	Description
31:16	RW	0x0000	RADV Release Advance The maximum time in nanoseconds that can elapse between issuing a RELEASE to the MAC and the MAC being ready to resume transmission of preemptable frames, in the absence of there being any express frames available for transmission.
15:0	RW	0x0000	HADV Hold Advance The maximum time in nanoseconds that can elapse between issuing a HOLD to the MAC and the MAC ceasing to transmit any preemptable frame that is in the process of transmission or any preemptable frames that are queued for transmission.

**GMAC MTL TxQ0 Operation Mode**

Address: Operational Base + offset (0x0d00)

Bit	Attr	Reset Value	Description
31:22	RO	0x000	reserved
21:16	RW	0x06	TQS Transmit Queue Size This field indicates the size of the allocated Transmit queues in blocks of 256 bytes. The TQS field is read-write only if the number of Tx Queues more than one, the reset value is 0x0 and indicates size of 256 bytes. When the number of Tx Queues is one, the field is read-only and the configured TX FIFO size in blocks of 256 bytes is reflected in the reset value. The width of this field depends on the Tx memory size selected in your configuration. For example, if the memory size is 2048, the width of this field is 3 bits: $\text{LOG}_2(2048/256) = \text{LOG}_2(8) = 3$ bits
15:7	RO	0x000	reserved



Bit	Attr	Reset Value	Description
6:4	RW	0x0	<p>TTC Transmit Threshold Control These bits control the threshold level of the MTL Tx Queue. The transmission starts when the packet size within the MTL Tx Queue is larger than the threshold. In addition, full packets with length less than the threshold are also transmitted. These bits are used only when the TSF bit is reset.</p> <p>Values: 3'b000: 32 bytes 3'b001: 64 bytes 3'b010: 96 bytes 3'b011: 128 bytes 3'b100: 192 bytes 3'b101: 256 bytes 3'b110: 384 bytes 3'b111: 512 bytes</p>
3:2	RW	0x0	<p>TXQEN Transmit Queue Enable This field is used to enable/disable the transmit queue 0.</p> <p>2'b00: Not enabled 2'b01: Reserved 2'b10: Enabled 2'b11: Reserved</p> <p>This field is Read Only in Single Queue configurations and Read Write in Multiple Queue configurations. Note: In multiple Tx queues configuration, all the queues are disabled by default. Enable the Tx queue by programming this field.</p> <p>Values: 0x0 (DISABLE): Not enabled 0x1 (EN_IF_AV): Enable in AV mode (Reserved in non-AV) 0x2 (ENABLE): Enabled 0x3 (Reserved2): Reserved</p>
1	RW	0x0	<p>TSF Transmit Store and Forward When this bit is set, the transmission starts when a full packet resides in the MTL Tx queue. When this bit is set, the TTC values specified in Bits[6:4] of this register are ignored. This bit should be changed only when the transmission is stopped.</p> <p>Values: 1'b0: Transmit Store and Forward is disabled 1'b1: Transmit Store and Forward is enabled</p>

Bit	Attr	Reset Value	Description
0	RW	0x0	<p><b>FTQ</b> Flush Transmit Queue</p> <p>When this bit is set, the Tx queue controller logic is reset to its default values. Therefore, all the data in the Tx queue is lost or flushed. This bit is internally reset when the flushing operation is complete. Until this bit is reset, you should not write to the MTL_TxQ1_Operation_Mode register. The data which is already accepted by the MAC transmitter is not flushed. It is scheduled for transmission and results in underflow and runt packet transmission.</p> <p>Note: The flush operation is complete only when the Tx queue is empty and the application has accepted the pending Tx Status of all transmitted packets. To complete this flush operation, the PHY Tx clock (clk_tx_i) should be active.</p> <p>Access restriction applies. Setting 1 sets. Self-cleared. Setting 0 has no effect.</p> <p>Values: 1'b0: Flush Transmit Queue is disabled 1'b1: Flush Transmit Queue is enabled</p>

**GMAC MTL TxQ0 Underflow**

Address: Operational Base + offset (0x0d04)

Bit	Attr	Reset Value	Description
31:12	RO	0x00000	reserved
11	RO	0x0	<p><b>UFCNTOVF</b> Overflow Bit for Underflow Packet Counter</p> <p>This bit is set every time the Tx queue Underflow Packet Counter field overflows, that is, it has crossed the maximum count. In such a scenario, the overflow packet counter is reset to all-zeros and this bit indicates that the rollover happened.</p> <p>Access restriction applies. Clears on read. Self-set to 1 on internal event.</p> <p>Values: 1'b0: Overflow not detected for Underflow Packet Counter 1'b1: Overflow detected for Underflow Packet Counter</p>
10:0	RO	0x000	<p><b>UFFRMCNT</b> Underflow Packet Counter</p> <p>This field indicates the number of packets aborted by the controller because of Tx Queue Underflow. This counter is incremented each time the MAC aborts outgoing packet because of underflow. The counter is cleared when this register is read with mci_be_i[0] at 1'b1.</p> <p>Access restriction applies. Clears on read. Self-set to 1 on internal event.</p>

**GMAC MTL TxQ0 Debug**

Address: Operational Base + offset (0x0d08)

Bit	Attr	Reset Value	Description
31:23	RO	0x000	reserved
22:20	RO	0x0	<p><b>STXSTS</b> Number of Status Words in Tx Status FIFO of Queue</p> <p>This field indicates the current number of status in the Tx Status FIFO of this queue. When the DTXSTS bit of MTL_Operation_Mode register is set to 1, this field does not reflect the number of status words in Tx Status FIFO.</p>

Bit	Attr	Reset Value	Description
19	RO	0x0	reserved
18:16	RO	0x0	PTXQ Number of Packets in the Transmit Queue This field indicates the current number of packets in the Tx Queue. When the DTXSTS bit of MTL_Operation_Mode register is set to 1, this field does not reflect the number of packets in the Transmit queue.
15:6	RO	0x000	reserved
5	RO	0x0	TXSTSFSTS MTL Tx Status FIFO Full Status When high, this bit indicates that the MTL Tx Status FIFO is full. Therefore, the MTL cannot accept any more packets for transmission. Values: 1'b0: MTL Tx Status FIFO Full status is not detected 1'b1: MTL Tx Status FIFO Full status is detected
4	RO	0x0	TXQSTS MTL Tx Queue Not Empty Status When this bit is high, it indicates that the MTL Tx Queue is not empty and some data is left for transmission. Values: 1'b0: MTL Tx Queue Not Empty status is not detected 1'b1: MTL Tx Queue Not Empty status is detected
3	RO	0x0	TWCSTS MTL Tx Queue Write Controller Status When high, this bit indicates that the MTL Tx Queue Write Controller is active, and it is transferring the data to the Tx Queue. Values: 1'b0: MTL Tx Queue Write Controller status is not detected 1'b1: MTL Tx Queue Write Controller status is detected
2:1	RO	0x0	TRCSTS MTL Tx Queue Read Controller Status This field indicates the state of the Tx Queue Read Controller: Values: 2'b00: Idle state 2'b01: Read state (transferring data to the MAC transmitter) 2'b10: Waiting for pending Tx Status from the MAC transmitter 2'b11: Flushing the Tx queue because of the Packet Abort request from the MAC
0	RO	0x0	TXQPAUSED Transmit Queue in Pause When this bit is high and the Rx flow control is enabled, it indicates that the Tx Queue is in the Pause condition (in the full-duplex only mode) because of the following: 1. Reception of the PFC packet for the priorities assigned to the Tx Queue when PFC is enabled 2. Reception of 802.3x Pause packet when PFC is disabled Values: 1'b0: Transmit Queue in Pause status is not detected 1'b1: Transmit Queue in Pause status is detected

**GMAC MTL TxQ0 ETS Status**

Address: Operational Base + offset (0x0d14)

Bit	Attr	Reset Value	Description
31:1	RO	0x00000000	reserved
0	RO	0x0	<p>ABS Average Bits per Slot This field contains the average transmitted bits per slot. When the DCB operation is enabled for Queue 0, this field is computed over every 10 million bit times slot (4 ms in 2500 Mbps; 10 ms in 1000 Mbps; 100 ms in 100 Mbps). The maximum value is 0x989680.</p>

**GMAC MTL TxQ0 Quantum Weight**

Address: Operational Base + offset (0x0d18)

Bit	Attr	Reset Value	Description
31:21	RO	0x000	reserved
20:0	RW	0x000000	<p>ISCQW Quantum or Weights When the DCB operation is enabled with DWRR algorithm for Queue 0 traffic, this field contains the quantum value in bytes to be added to credit during every queue scanning cycle. The maximum value is 0x1312D0 bytes. When DCB operation is enabled with WFQ algorithm for Queue 0 traffic, this field contains the weight for this queue. The maximum value is 0x3FFF where weight of 0 indicates 100% bandwidth. Bits[20:14] must be written to zero. The higher the programmed weights lesser the bandwidth allocated for the particular Transmit Queue. This is because the weights are used to compute the packet finish time (weights*packet_size). Lesser the finish time, higher the probability of the packet getting scheduled first and using more bandwidth. When DCB operation or generic queuing operation is enabled with WRR algorithm for Queue 0 traffic, this field contains the weight for this queue. The maximum value is 0x64. Bits [20:7] must be written to zero.</p>

**GMAC MTL Q0 Interrupt Ctrl Status**

Address: Operational Base + offset (0x0d2c)

Bit	Attr	Reset Value	Description
31:25	RO	0x00	reserved
24	RW	0x0	<p>RXOIE Receive Queue Overflow Interrupt Enable When this bit is set, the Receive Queue Overflow interrupt is enabled. When this bit is reset, the Receive Queue Overflow interrupt is disabled. Values: 1'b0: Receive Queue Overflow Interrupt is disabled 1'b1: Receive Queue Overflow Interrupt is enabled</p>
23:17	RO	0x00	reserved

Bit	Attr	Reset Value	Description
16	RW	0x0	<b>RXOVFIS</b> Receive Queue Overflow Interrupt Status This bit indicates that the Receive Queue had an overflow while receiving the packet. If a partial packet is transferred to the application, the overflow status is set in RDES3[21]. This bit is cleared when the application writes 1 to this bit. Access restriction applies. Self-set to 1 on internal event. Setting 1 clears. Setting 0 has no effect. Values: 1'b0: Receive Queue Overflow Interrupt Status not detected 1'b1: Receive Queue Overflow Interrupt Status detected
15:10	RO	0x00	reserved
9	RW	0x0	<b>ABPSIE</b> Average Bits Per Slot Interrupt Enable When this bit is set, the MAC asserts the sbd_intr_o or mci_intr_o interrupt when the average bits per slot status is updated. When this bit is cleared, the interrupt is not asserted for such an event. Values: 0x0 (DISABLE): Average Bits Per Slot Interrupt is disabled 0x1 (ENABLE): Average Bits Per Slot Interrupt is enabled
8	RW	0x0	<b>TXUIE</b> Transmit Queue Underflow Interrupt Enable When this bit is set, the Transmit Queue Underflow interrupt is enabled. When this bit is reset, the Transmit Queue Underflow interrupt is disabled. Values: 1'b0: Transmit Queue Underflow Interrupt Status is disabled 1'b1: Transmit Queue Underflow Interrupt Status is enabled
7:2	RO	0x00	reserved
1	RW	0x0	<b>ABPSIS</b> Average Bits Per Slot Interrupt Status When set, this bit indicates that the MAC has updated the ABS value. This bit is cleared when the application writes 1 to this bit. Access restriction applies. Self-set to 1 on internal event. Setting 1 clears. Setting 0 has no effect. Values: 0x0 (INACTIVE): Average Bits Per Slot Interrupt Status not detected 0x1 (ACTIVE): Average Bits Per Slot Interrupt Status detected
0	RW	0x0	<b>TXUNFIS</b> Transmit Queue Underflow Interrupt Status This bit indicates that the Transmit Queue had an underflow while transmitting the packet. Transmission is suspended and an Underflow Error TDES3[2] is set. This bit is cleared when the application writes 1 to this bit. Access restriction applies. Self-set to 1 on internal event. Setting 1 clears. Setting 0 has no effect. Values: 1'b0: Transmit Queue Underflow Interrupt Status not detected 1'b1: Transmit Queue Underflow Interrupt Status detected

**GMAC MTL RxQ0 Operation Mode**

Address: Operational Base + offset (0x0d30)

Bit	Attr	Reset Value	Description
31:27	RO	0x00	reserved
26:20	RW	0x00	<p><b>RQS</b> Receive Queue Size This field indicates the size of the allocated Receive queues in blocks of 256 bytes. The RQS field is read-write only if the number of Rx Queues more than one, the reset value is 0x0 and indicates size of 256 bytes.</p> <p>When the number of Rx Queues is one, the field is read-only and the configured RX FIFO size in blocks of 256 bytes is reflected in the reset value.</p> <p>The width of this field depends on the Rx memory size selected in your configuration. For example, if the memory size is 2048, the width of this field is 3 bits: <math>\text{LOG}_2(2048/256) = \text{LOG}_2(8) = 3</math> bits</p>
19:14	RW	0x00	<p><b>RFD</b> Threshold for Deactivating Flow Control (in half-duplex and full-duplex modes) These bits control the threshold (fill-level of Rx queue) at which the flow control is de-asserted after activation: 0: Full minus 1 KB, that is, FULL 1 KB 1: Full minus 1.5 KB, that is, FULL 1.5 KB 2: Full minus 2 KB, that is, FULL 2 KB 3: Full minus 2.5 KB, that is, FULL 2.5 KB ... 62: Full minus 32 KB, that is, FULL 32 KB 63: Full minus 32.5 KB, that is, FULL 32.5 KB The de-assertion is effective only after flow control is asserted. Note: The value must be programmed in such a way to make sure that the threshold is a positive number. When the EHFC is set high, these values are applicable only when the Rx queue size determined by the RQS field of this register, is equal to or greater than 4 KB. For a given queue size, the values ranges between 0 and the encoding for FULL minus (QSIZE - 0.5 KB) and all other values are illegal. Here the term FULL and QSIZE refers to the queue size determined by the RQS field of this register. The width of this field depends on RX FIFO size selected during the configuration. Remaining bits are reserved and read only.</p>
13:8	RW	0x00	<p><b>RFA</b> Threshold for Activating Flow Control (in half-duplex and full-duplex) These bits control the threshold (fill-level of Rx queue) at which the flow control is activated:For more information on encoding for this field, see RFD.</p>
7	RW	0x0	<p><b>EHFC</b> Enable Hardware Flow Control When this bit is set, the flow control signal operation, based on the fill-level of Rx queue, is enabled. When reset, the flow control operation is disabled. Values: 1'b0: Hardware Flow Control is disabled 1'b1: Hardware Flow Control is enabled</p>

Bit	Attr	Reset Value	Description
6	RW	0x0	<p>DIS_TCP_EF Disable Dropping of TCP/IP Checksum Error Packets When this bit is set, the MAC does not drop the packets which only have the errors detected by the Receive Checksum Offload engine. Such packets have errors only in the encapsulated payload. There are no errors (including FCS error) in the Ethernet packet received by the MAC. When this bit is reset, all error packets are dropped if the FEP bit is reset.</p> <p>Values: 1'b0: Dropping of TCP/IP Checksum Error Packets is enabled 1'b1: Dropping of TCP/IP Checksum Error Packets is disabled</p>
5	RW	0x0	<p>RSF Receive Queue Store and Forward When this bit is set, the GMAC reads a packet from the Rx queue only after the complete packet has been written to it, ignoring the RTC field of this register. When this bit is reset, the Rx queue operates in the Threshold (cut-through) mode, subject to the threshold specified by the RTC field of this register.</p> <p>Values: 1'b0: Receive Queue Store and Forward is disabled 1'b1: Receive Queue Store and Forward is enabled</p>
4	RW	0x0	<p>FEP Forward Error Packets When this bit is reset, the Rx queue drops packets with error status (CRC error, GMII_ER, watchdog timeout, or overflow). However, if the start byte (write) pointer of a packet is already transferred to the read controller side (in Threshold mode), the packet is not dropped.</p> <p>When this bit is set, all packets except the runt error packets are forwarded to the application or DMA. If the RSF bit is set and the Rx queue overflows when a partial packet is written, the packet is dropped irrespective of the setting of this bit. However, if the RSF bit is reset and the Rx queue overflows when a partial packet is written, a partial packet may be forwarded to the application or DMA.</p> <p>Values: 1'b0: Forward Error Packets is disabled 1'b1: Forward Error Packets is enabled</p>
3	RW	0x0	<p>FUP Forward Undersized Good Packets When this bit is set, the Rx queue forwards the undersized good packets (packets with no error and length less than 64 bytes), including pad-bytes and CRC. When this bit is reset, the Rx queue drops all packets of less than 64 bytes, unless a packet is already transferred because of the lower value of Rx Threshold, for example, RTC = 01.</p> <p>Values: 1'b0: Forward Undersized Good Packets is disabled 1'b1: Forward Undersized Good Packets is enabled</p>
2	RO	0x0	reserved

Bit	Attr	Reset Value	Description
1:0	RW	0x0	<p>RTC Receive Queue Threshold Control</p> <p>These bits control the threshold level of the MTL Rx queue (in bytes): The received packet is transferred to the application or DMA when the packet size within the MTL Rx queue is larger than the threshold. In addition, full packets with length less than the threshold are automatically transferred. This field is valid only when the RSF bit is zero. This field is ignored when the RSF bit is set to 1.</p>

**GMAC MTL RxQ0 Miss Pkt Ovf Cnt**

Address: Operational Base + offset (0x0d34)

Bit	Attr	Reset Value	Description
31:28	RO	0x0	reserved
27	RO	0x0	<p>MISCNTOVF Missed Packet Counter Overflow Bit</p> <p>When set, this bit indicates that the Rx Queue Missed Packet Counter crossed the maximum limit. Access restriction applies. Clears on read. Self-set to 1 on internal event.</p> <p>Values: 1'b0: Missed Packet Counter overflow not detected 1'b1: Missed Packet Counter overflow detected</p>
26:16	RO	0x000	<p>MISPKTCNT Missed Packet Counter</p> <p>This field indicates the number of packets missed by the GMAC because the application asserted ari_pkt_flush_i[] for this queue. This counter is incremented each time the application issues ari_pkt_flush_i[] for this queue. This counter is reset when this register is read with mci_be_i[0] at 1b1. In EQOS-DMA, EQOS-AXI, and EQOS-AHB configurations, This counter is incremented by 1 when the DMA discards the packet because of buffer unavailability. Access restriction applies. Clears on read. Self-set to 1 on internal event.</p>
15:12	RO	0x0	reserved
11	RO	0x0	<p>OVFCNTOVF Overflow Counter Overflow Bit</p> <p>When set, this bit indicates that the Rx Queue Overflow Packet Counter field crossed the maximum limit. Access restriction applies. Clears on read. Self-set to 1 on internal event.</p> <p>Values: 1'b0: Overflow Counter overflow not detected 1'b1: Overflow Counter overflow detected</p>
10:0	RO	0x000	<p>OVFPKTCNT Overflow Packet Counter</p> <p>This field indicates the number of packets discarded by the GMAC because of Receive queue overflow. This counter is incremented each time the GMAC discards an incoming packet because of overflow. This counter is reset when this register is read with mci_be_i[0] at 1'b1. Access restriction applies. Clears on read. Self-set to 1 on internal event.</p>



**GMAC MTL RxQ0 Debug**

Address: Operational Base + offset (0x0d38)

Bit	Attr	Reset Value	Description
31:20	RO	0x000	reserved
19:16	RO	0x0	PRXQ Number of Packets in Receive Queue This field indicates the current number of packets in the Rx Queue. The theoretical maximum value for this field is 256KB/16B = 16K Packets, that is, Max_Queue_Size/Min_Packet_Size.
15:6	RO	0x000	reserved
5:4	RO	0x0	RXQSTS MTL Rx Queue Fill-Level Status This field gives the status of the fill-level of the Rx Queue: Values: 2'b00: Rx Queue empty 2'b01: Rx Queue fill-level below flow-control deactivate threshold 2'b10: Rx Queue fill-level above flow-control activate threshold 2'b11: Rx Queue full
3	RO	0x0	reserved
2:1	RO	0x0	RRCSTS MTL Rx Queue Read Controller State This field gives the state of the Rx queue Read controller: Values: 2'b00: Idle state 2'b01: Reading packet data 2'b10: Reading packet status (or timestamp) 2'b11: Flushing the packet data and status
0	RO	0x0	RWCSTS MTL Rx Queue Write Controller Active Status When high, this bit indicates that the MTL Rx queue Write controller is active, and it is transferring a received packet to the Rx Queue. Values: 1'b0: MTL Rx Queue Write Controller Active Status not detected 1'b1: MTL Rx Queue Write Controller Active Status detected

**GMAC MTL RxQ0 Control**

Address: Operational Base + offset (0x0d3c)

Bit	Attr	Reset Value	Description
31:4	RO	0x00000000	reserved

Bit	Attr	Reset Value	Description
3	RW	0x0	<p><b>RXQ_FRM_ARBIT</b> Receive Queue Packet Arbitration</p> <p>When this bit is set, the GMAC drives the packet data to the ARI interface such that the entire packet data of currently-selected queue is transmitted before switching to other queue. When this bit is reset, the GMAC drives the packet data to the ARI interface such that the following amount of data of currently-selected queue is transmitted before switching to other queue:</p> <ol style="list-style-type: none"> <li>1.PBL amount of data (indicated by ari_qN_pbl_i[])</li> <li>2.Complete data of a packet</li> </ol> <p>The status and the timestamp are not a part of the PBL data. Therefore, the GMAC drives the complete status (including timestamp status) during first PBL request for the packet (in store-and-forward mode) or the last PBL request for the packet (in Threshold mode).</p> <p>Values: 0x0 (DISABLE): Receive Queue Packet Arbitration is disabled 0x1 (ENABLE): Receive Queue Packet Arbitration is enabled</p>
2:0	RW	0x0	<p><b>RXQ_WEGT</b> Receive Queue Weight</p> <p>This field indicates the weight assigned to the Rx Queue 0. The weight is used as the number of continuous PBL or packets requests (depending on the RXQ_FRM_ARBIT) allocated to the queue in one arbitration cycle.</p>

**GMAC DMA Mode**

Address: Operational Base + offset (0x1000)

Bit	Attr	Reset Value	Description
31:18	RO	0x0000	reserved

Bit	Attr	Reset Value	Description
17:16	RW	0x0	<p>INTM Interrupt Mode</p> <p>This field defines the interrupt mode of GMAC. The behavior of the following outputs changes depending on the following settings:</p> <ol style="list-style-type: none"> <li>1. sbd_perch_tx_intr_o[] (Transmit Per Channel Interrupt)</li> <li>2. sbd_perch_rx_intr_o[] (Receive Per Channel Interrupt)</li> <li>3. sbd_intr_o (Common Interrupt)</li> </ol> <p>It also changes the behavior of the RI/TI bits in the DMA_CH0_Status.</p> <p>2'b00: sbd_perch_* are pulse signals for each TX/RX packet transfer completion events (irrespective of whether corresponding interrupts are enabled) for which IOC bits are enabled in descriptor. sbd_intr_o is also asserted when corresponding interrupts are enabled and cleared only when software clears the corresponding RI/TI status bits.</p> <p>2'b01: sbd_perch_* are level signals asserted on TX/RX packet transfer completion event when corresponding interrupts are enabled and de-asserted when the software clears the corresponding RI/TI status bits. The sbd_intr_o is not asserted for these TX/RX packet transfer completion events.</p> <p>2'b10: sbd_perch_* are level signals asserted on TX/RX packet transfer completion event when corresponding interrupts are enabled and de-asserted when the software clears the corresponding RI/TI status bits. However, the signal is asserted again if the same event occurred again before it was cleared. The sbd_intr_o is not asserted for these TX/RX packet transfer completion events.</p> <p>2'b11: Reserved</p> <p>Values: 2'b00: See above description 2'b01: See above description 2'b10: See above description 2'b11: Reserved</p>
15:9	RO	0x00	reserved
8	RW	0x0	<p>DSPW Descriptor Posted Write</p> <p>When this bit is set to 0, the descriptor writes are always non-posted.</p> <p>When this bit is set to 1, the descriptor writes are non-posted only when IOC (Interrupt on completion) is set in last descriptor, otherwise the descriptor writes are always posted.</p> <p>Values: 1'b0: Descriptor Posted Write is disabled 1'b1: Descriptor Posted Write is enabled</p>
7:1	RO	0x00	reserved

Bit	Attr	Reset Value	Description
0	RW	0x0	<p>SWR Software Reset</p> <p>When this bit is set, the MAC and the DMA controller reset the logic and all internal registers of the DMA, MTL, and MAC. This bit is automatically cleared after the reset operation is complete in all GMAC clock domains. Before reprogramming any GMAC register, a value of zero should be read in this bit. This bit must be read at least 4 CSR clock cycles after it is written to 1.</p> <p>Note: The reset operation is complete only when all resets in all active clock domains are de-asserted. Therefore, it is essential that all PHY inputs clocks (applicable for the selected PHY interface) are present for software reset completion. The time to complete the software reset operation depends on the frequency of the slowest active clock.</p> <p>Access restriction applies. Setting 1 sets. Self-cleared. Setting 0 has no effect.</p> <p>Values: 1'b0: Software Reset is disabled 1'b1: Software Reset is enabled</p>

**GMAC DMA SysBus Mode**

Address: Operational Base + offset (0x1004)

Bit	Attr	Reset Value	Description
31	RW	0x0	<p>EN_LPI Enable Low Power Interface (LPI)</p> <p>When set to 1, this bit enables the LPI mode supported by the EQOS-AXI configuration and accepts the LPI request from the AXI System Clock controller.</p> <p>When set to 0, this bit disables the LPI mode and always denies the LPI request from the AXI System Clock controller.</p> <p>Values: 1'b0: Low Power Interface (LPI) is disabled 1'b1: Low Power Interface (LPI) is enabled</p>
30	RW	0x0	<p>LPI_XIT_PKT Unlock on Magic Packet or Remote Wake-Up Packet</p> <p>When set to 1, this bit enables the AXI master to come out of the LPI mode only when the magic packet or remote wake-up packet is received. When set to 0, this bit enables the AXI master to come out of the LPI mode when any packet is received.</p> <p>Values: 1'b0: Unlock on Magic Packet or Remote Wake-Up Packet is disabled 1'b1: Unlock on Magic Packet or Remote Wake-Up Packet is enabled</p>
29:26	RO	0x0	reserved
25:24	RW	0x0	<p>WR_OSR_LMT AXI Maximum Write Outstanding Request Limit</p> <p>This value limits the maximum outstanding request on the AXI write interface. Maximum outstanding requests = WR_OSR_LMT + 1</p> <p>Note: 1. Bit 26 is reserved if GMAC_AXI_MAX_WR_REQ = 4 2. Bit 27 is reserved if GMAC_AXI_MAX_WR_REQ != 16</p>
23:19	RO	0x00	reserved

Bit	Attr	Reset Value	Description
18:16	RW	0x1	RD_OSR_LMT AXI Maximum Read Outstanding Request Limit This value limits the maximum outstanding request on the AXI read interface. Maximum outstanding requests = RD_OSR_LMT + 1 Note: 1. Bit 18 is reserved if parameter GMAC_AXI_-MAX_RD_REQ = 4 2. Bit 19 is reserved if parameter GMAC_AXI_-MAX_RD_REQ!= 16
15:13	RO	0x0	reserved
12	RW	0x0	AAL Address-Aligned Beats When this bit is set to 1, the EQOS-AXI or EQOS-AHB master performs address-aligned burst transfers on Read and Write channels. Values: 1'b0: Address-Aligned Beats is disabled 1'b1: Address-Aligned Beats is enabled
11	RO	0x0	reserved
10	RW	0x0	AALE Automatic AXI LPI enable When set to 1, enables the AXI master to enter into LPI state when there is no activity in the GMAC for number of system clock cycles programmed in the LPIEI field of AXI_LPI_Entry_Interval register. Values: 1'b0: Automatic AXI LPI is disabled 1'b1: Automatic AXI LPI is enabled
9:4	RO	0x00	reserved
3	RW	0x0	BLEN16 AXI Burst Length 16 When this bit is set to 1 or the FB bit is set to 0, the EQOS-AXI master can select a burst length of 16 on the AXI interface. When the FB bit is set to 0, setting this bit has no effect. Values: 1'b0: No effect 1'b1: AXI Burst Length 16
2	RW	0x0	BLEN8 AXI Burst Length 8 When this bit is set to 1 or the FB bit is set to 0, the EQOS-AXI master can select a burst length of 8 on the AXI interface. When the FB bit is set to 0, setting this bit has no effect. Values: 1'b0: No effect 1'b1: AXI Burst Length 8
1	RW	0x0	BLEN4 AXI Burst Length 4 When this bit is set to 1 or the FB bit is set to 0, the EQOS-AXI master can select a burst length of 4 on the AXI interface. When the FB bit is set to 0, setting this bit has no effect. Values: 1'b0: No effect 1'b1: AXI Burst Length 4

Bit	Attr	Reset Value	Description
0	RW	0x0	<p>FB Fixed Burst Length When this bit is set to 1, the EQOS-AXI master initiates burst transfers of specified lengths as given below.</p> <ol style="list-style-type: none"> <li>1. Burst transfers of fixed burst lengths as indicated by the BLEN256, BLEN128, BLEN64, BLEN32, BLEN16, BLEN8, or BLEN4 field</li> <li>2. Burst transfers of length 1</li> </ol> <p>When this bit is set to 0, the EQOS-AXI master initiates burst transfers that are equal to or less than the maximum allowed burst length programmed in Bits[7:1]. Values: 1'b0: Fixed Burst Length is disabled 1'b1: Fixed Burst Length is enabled</p>

**GMAC DMA Interrupt Status**

Address: Operational Base + offset (0x1008)

Bit	Attr	Reset Value	Description
31:18	RO	0x0000	reserved
17	RO	0x0	<p>MACIS MAC Interrupt Status This bit indicates an interrupt event in the MAC. To reset this bit to 1'b0, the software must read the corresponding register in the MAC to get the exact cause of the interrupt and clear its source. Values: 1'b0: MAC Interrupt Status not detected 1'b1: MAC Interrupt Status detected</p>
16	RO	0x0	<p>MTLIS MTL Interrupt Status This bit indicates an interrupt event in the MTL. To reset this bit to 1'b0, the software must read the corresponding register in the MTL to get the exact cause of the interrupt and clear its source. Values: 1'b0: MTL Interrupt Status not detected 1'b1: MTL Interrupt Status detected</p>
15:1	RO	0x0000	reserved
0	RO	0x0	<p>DCOIS DMA Channel 0 Interrupt Status This bit indicates an interrupt event in DMA Channel 0. To reset this bit to 1'b0, the software must read the corresponding register in DMA Channel 0 to get the exact cause of the interrupt and clear its source. Values: 1'b0: DMA Channel 0 Interrupt Status not detected 1'b1: DMA Channel 0 Interrupt Status detected</p>

**GMAC DMA Debug Status0**

Address: Operational Base + offset (0x100c)

Bit	Attr	Reset Value	Description
31:24	RO	0x00	reserved

Bit	Attr	Reset Value	Description
23:20	RO	0x0	<p>TPS1 DMA Channel 1 Transmit Process State This field indicates the Tx DMA FSM state for Channel 1. The MSB of this field always returns 0. This field does not generate an interrupt. Values: 0x0 (STOP): Stopped (Reset or Stop Transmit Command issued) 0x1 (RUN_FTTD): Running (Fetching Tx Transfer Descriptor) 0x2 (RUN_WS): Running (Waiting for status) 0x3 (RUN_RDS): Running (Reading Data from system memory buffer and queuing it to the Tx buffer (Tx FIFO)) 0x4 (TSTMP_WS): Timestamp write state 0x5 (Reserved): Reserved for future use 0x6 (SUSPND): Suspended (Tx Descriptor Unavailable or Tx Buffer Underflow) 0x7 (RUN_CTD): Running (Closing Tx Descriptor)</p>
19:16	RO	0x0	<p>RPS1 DMA Channel 1 Receive Process State This field indicates the Rx DMA FSM state for Channel 1. The MSB of this field always returns 0. This field does not generate an interrupt. Values: 0x0 (STOP): Stopped (Reset or Stop Receive Command issued) 0x1 (RUN_FRTD): Running (Fetching Rx Transfer Descriptor) 0x2 (Reserved): Reserved for future use 0x3 (RUN_WRP): Running (Waiting for Rx packet) 0x4 (SUSPND): Suspended (Rx Descriptor Unavailable) 0x5 (RUN_CRD): Running (Closing the Rx Descriptor) 0x6 (TSTMP): Timestamp write state 0x7 (RUN_TRP): Running (Transferring the received packet data from the Rx buffer to the system memory)</p>
15:12	RO	0x0	<p>TPS0 DMA Channel 0 Transmit Process State This field indicates the Tx DMA FSM state for Channel 0. The MSB of this field always returns 0. This field does not generate an interrupt. Values: 4'b0000: Stopped (Reset or Stop Transmit Command issued) 4'b0001: Running (Fetching Tx Transfer Descriptor) 4'b0010: Running (Waiting for status) 4'b0011: Running (Reading Data from system memory buffer and queuing it to the Tx buffer (Tx FIFO)) 4'b0100: Timestamp write state 4'b0101: Reserved for future use 4'b0110: Suspended (Tx Descriptor Unavailable or Tx Buffer Underflow) 4'b0111: Running (Closing Tx Descriptor)</p>

Bit	Attr	Reset Value	Description
11:8	RO	0x0	<p>RPS0 DMA Channel 0 Receive Process State This field indicates the Rx DMA FSM state for Channel 0. The MSB of this field always returns 0. This field does not generate an interrupt. Values: 4'b0000: Stopped (Reset or Stop Receive Command issued) 4'b0001: Running (Fetching Rx Transfer Descriptor) 4'b0010: Reserved for future use 4'b0011: Running (Waiting for Rx packet) 4'b0100: Suspended (Rx Descriptor Unavailable) 4'b0101: Running (Closing the Rx Descriptor) 4'b0110: Timestamp write state 4'b0111: Running (Transferring the received packet data from the Rx buffer to the system memory)</p>
7:2	RO	0x00	reserved
1	RO	0x0	<p>AXRHSTS AXI Master Read Channel Status When high, this bit indicates that the read channel of the AXI master is active, and it is transferring the data. Values: 1'b0: AXI Master Read Channel Status not detected 1'b1: AXI Master Read Channel Status detected</p>
0	RO	0x0	<p>AXWHSTS AXI Master Write Channel or AHB Master Status EQOS-AXI Configuration: When high, this bit indicates that the write channel of the AXI master is active, and it is transferring data. EQOS-AHB Configuration: When high, this bit indicates that the AHB master FSMs are in the non-idle state. Values: 1'b0: AXI Master Write Channel or AHB Master Status not detected 1'b1: AXI Master Write Channel or AHB Master Status detected</p>

**GMAC AXI LPI Entry Interval**

Address: Operational Base + offset (0x1040)

Bit	Attr	Reset Value	Description
31:4	RO	0x0000000	reserved
3:0	RW	0x0	<p>LPIEI LPI Entry Interval Contains the number of system clock cycles, multiplied by 64, to wait for an activity in the GMAC to enter into the AXI low power state. 0 indicates 64 clock cycles.</p>

**GMAC DMA TBS CTRL**

Address: Operational Base + offset (0x1050)

Bit	Attr	Reset Value	Description
31:8	RW	0x000000	<p>FTOS Fetch Time Offset The value in units of 256 nanoseconds, that has to be deducted from the Launch time to compute the Fetch Time. Max value: 999,999,999 ns, additionally should be smaller than CTR-1 value when ESTM mode is set since this value is a modulo CTR value.</p>



Bit	Attr	Reset Value	Description
7	RO	0x0	reserved
6:4	RW	0x0	FGOS Fetch GSN Offset The number GSN slots that must be deducted from the Launch GSN to compute the Fetch GSN. Value valid only when FTOV is set.
3:1	RO	0x0	reserved
0	RW	0x0	FTOV Fetch Time Offset Valid When set indicates the FTOS field is valid. When not set, indicates the Fetch Offset is not valid and the DMA engine can fetch the frames from host memory without any time restrictions. Values: 0x0 (INVALID): Fetch Time Offset is invalid 0x1 (VALID): Fetch Time Offset is valid

**GMAC DMA CH0 Control**

Address: Operational Base + offset (0x1100)

Bit	Attr	Reset Value	Description
31:21	RO	0x000	reserved
20:18	RW	0x0	DSL Descriptor Skip Length This bit specifies the Word, Dword, or Lword number (depending on the 32-bit, 64-bit, or 128-bit bus) to skip between two unchained descriptors. The address skipping starts from the end of the current descriptor to the start of the next descriptor. When the DSL value is equal to zero, the DMA takes the descriptor table as contiguous.
17	RO	0x0	reserved
16	RW	0x0	PBLx8 8xPBL mode When this bit is set, the PBL value programmed in Bits[21:16] in DMA_CH0_Tx_Control and Bits[21:16] in DMA_CH0_Rx_Control is multiplied by eight times. Therefore, the DMA transfers the data in 8, 16, 32, 64, 128, and 256 beats depending on the PBL value. 0x0 (DISABLE): 8xPBL mode is disabled 0x1 (ENABLE): 8xPBL mode is enabled
15:14	RO	0x0	reserved
13:0	RW	0x0000	MSS Maximum Segment Size This field specifies the maximum segment size that should be used while segmenting the packet. This field is valid only if the TSE bit of DMA_CH0_Tx_Control register is set. The value programmed in this field must be more than the configured Datawidth in bytes. It is recommended to use a MSS value of 64 bytes or more.

**GMAC DMA CH0 Tx Control**

Address: Operational Base + offset (0x1104)

Bit	Attr	Reset Value	Description
31:22	RO	0x000	reserved

Bit	Attr	Reset Value	Description
21:16	RW	0x00	<p><b>TxPBL</b>            Transmit Programmable Burst Length            These bits indicate the maximum number of beats to be transferred in one DMA block data transfer. The DMA always attempts max burst as specified in PBL each time it starts a burst transfer on the application bus. You can program PBL with any of the following values: 1, 2, 4, 8, 16, or 32. Any other value results in undefined behavior.            To transfer more than 32 beats, perform the following steps:            1. Set the 8xPBL mode in DMA_CH0_Control register.            2. Set the TxPBL.            Note: The maximum value of TxPBL must be less than or equal to half the Tx Queue size (TQS field of MTL_TxQ[n]_Operation_Mode register) in terms of beats. This is required so that the Tx Queue has space to store at least another Tx PBL worth of data while the MTL Tx Queue Controller is transferring data to MAC. For example, in 64-bit data width configurations the total locations in Tx Queue of size 512 bytes is 64, TxPBL and 8xPBL needs to be programmed to less than or equal to 32.</p>
15	RW	0x0	<p><b>IPBL</b>            Ignore PBL Requirement            When this bit is set, the DMA does not check for PBL number of locations in the MTL before initiating a transfer. If space is not available, the MTL may use handshaking to slow the DMA.            Note: This bit/mode must not be used when multiple Transmit DMA Channels are enabled as it may block other Transmit and Receive DMA Channels from accessing the Read Data Channel of AXI bus until space is available in Transmit Queue for current transfer.            0x0 (DISABLE): Ignore PBL Requirement is disabled            0x1 (ENABLE): Ignore PBL Requirement is enabled</p>
14:13	RW	0x0	<p><b>TSE_MODE</b>            TSE Mode            00: TSO/USO (segmentation functionality is enabled). In this mode, the setting of TSE bit enables the TSO/USO segmentation.            01: UFO with Checksum (UDP Fragmentation over IPv4 with Checksum). In this mode, the setting of TSE bit enables the UDP fragmentation functionality with Checksum for all the UDP packets.            10: UFO without Checksum (UDP Fragmentation over IPv4 with Checksum). In this mode, the setting of TSE bit enables the UDP fragmentation functionality without Checksum for all the UDP packets.            11: Reserved            0x0 (TSO_USO): TSO/USO            0x1 (UFOWC): UFO with Checksum            0x2 (UFOWOC): UFO without Checksum            0x3 (Reserved): Reserved</p>

Bit	Attr	Reset Value	Description
12	RW	0x0	<p>TSE TCP Segmentation Enabled When this bit is set, the DMA performs the TCP segmentation or UDP Segmentation/Fragmentation for packets in this channel. The TCP segmentation or UDP packet's segmentation/Fragmentation is done only for those packets for which the TSE bit (TDES0[19]) is set in the Tx Normal descriptor. When this bit is set, the TxPBL value must be greater than 4. 0x0 (DISABLE): TCP Segmentation is disabled 0x1 (ENABLE): TCP Segmentation is enabled</p>
11:5	RO	0x00	reserved
4	RW	0x0	<p>OSF Operate on Second Packet When this bit is set, it instructs the DMA to process the second packet of the Transmit data even before the status for the first packet is obtained. 0x0 (DISABLE): Operate on Second Packet disabled 0x1 (ENABLE): Operate on Second Packet enabled</p>
3:1	RO	0x0	reserved
0	RW	0x0	<p>ST Start or Stop Transmission Command When this bit is set, transmission is placed in the Running state. The DMA checks the Transmit list at the current position for a packet to be transmitted. The DMA tries to acquire descriptor from either of the following positions: 1.The current position in the list This is the base address of the Transmit list set by the DMA_CH0_TxDesc_List_Address register. 2.The position at which the transmission was previously stopped  If the DMA does not own the current descriptor, the transmission enters the Suspended state and the TBU bit of the DMA_CH0_Status register is set. The Start Transmission command is effective only when the transmission is stopped. If the command is issued before setting the DMA_CH0_TxDesc_List_Address register, the DMA behavior is unpredictable. When this bit is reset, the transmission process is placed in the Stopped state after completing the transmission of the current packet. The Next Descriptor position in the Transmit list is saved, and it becomes the current position when the transmission is restarted. To change the list address, you need to program DMA_CH0_TxDesc_List_Address register with a new value when this bit is reset. The new value is considered when this bit is set again. The stop transmission command is effective only when the transmission of the current packet is complete or the transmission is in the Suspended state. 0x0 (STOP): Stop Transmission Command 0x1 (START): Start Transmission Command</p>

**GMAC DMA CH0 Rx Control**

Address: Operational Base + offset (0x1108)

Bit	Attr	Reset Value	Description
31	RW	0x0	<p>RPF Rx Packet Flush</p> <p>When this bit is set to 1, then GMAC automatically flushes the packet from the Rx Queues destined to this DMA Rx Channel, when it is stopped. When this bit remains set and the DMA is re-started by the software driver, the packets residing in the Rx Queues that were received when this RxDMA was stopped, get flushed out. The packets that are received by the MAC after the RxDMA is re-started are routed to the RxDMA. The flushing happens on the Read side of the Rx Queue.</p> <p>When this bit is set to 0, the GMAC not flush the packet in the Rx Queue destined to this RxDMA Channel when it is STOP state. This may in turn cause head-of-line blocking in the corresponding RxQueue.</p> <p>0x0 (DISABLE): Rx Packet Flush is disabled 0x1 (ENABLE): Rx Packet Flush is enabled</p>
30:22	RO	0x000	reserved
21:16	RW	0x00	<p>RxPBL Receive Programmable Burst Length</p> <p>These bits indicate the maximum number of beats to be transferred in one DMA block data transfer. The DMA always attempts max burst as specified in PBL each time it starts a burst transfer on the application bus. You can program PBL with any of the following values: 1, 2, 4, 8, 16, or 32. Any other value results in undefined behavior.</p> <p>To transfer more than 32 beats, perform the following steps:</p> <ol style="list-style-type: none"> <li>1. Set the 8xPBL mode in the DMA_CH0_Control register.</li> <li>2. Set the RxPBL.</li> </ol> <p>Note: The maximum value of RxPBL must be less than or equal to half the Rx Queue size (RQS field of MTL_RxQ[n]_Operation_Mode register) in terms of beats. This is required so that the Rx Queue has space to store at least another Rx PBL worth of data while the Rx DMA is transferring a block of data. For example, in 64-bit data width configurations the total locations in Rx Queue of size 512 bytes is 64, so RxPBL and 8xPBL needs to be programmed to less than or equal to 32.</p>
15	RO	0x0	reserved
14:4	RW	0x000	<p>RBSZ_13_y Receive Buffer size High</p> <p>RBSZ[13:0] is split into two fields higher RBSZ_13_y and lower RBSZ_3_0. The RBSZ[13:0] field indicates the size of the Rx buffers specified in bytes. The maximum buffer size is limited to 16K bytes. The buffer size is applicable to payload buffers when split headers are enabled.</p> <p>Note: The buffer size must be a multiple of 4, 8, or 16 depending on the data bus widths (32-bit, 64-bit, or 128-bit respectively). This is required even if the value of buffer address pointer is not aligned to data bus width. Hence the lower RBSZ_3_0 bits are read-only and the value is considered as all-zero. Thus the RBSZ_13_y indicates the buffer size in terms of locations (with the width same as bus-width).</p>

Bit	Attr	Reset Value	Description
3:1	RO	0x0	<p>RBSZ_3_0 Receive Buffer size Low RBSZ[13:0] is split into two fields RBSZ_13_y and RBSZ_3_0. The RBSZ_3_0 is the lower field whose width is based on data bus width of the configuration. This field is of width 2, 3, or 4 bits for 32-bit, 64-bit, or 128-bit data bus width respectively. This field is read-only (RO).</p>
0	RW	0x0	<p>SR Start or Stop Receive When this bit is set, the DMA tries to acquire the descriptor from the Receive list and processes the incoming packets. The DMA tries to acquire descriptor from either of the following positions: 1. The current position in the list This is the address set by the DMA_CH0_RxDesc_List_Address register. 2. The position at which the Rx process was previously stopped If the DMA does not own the current descriptor, the reception is suspended and the RBU bit of the DMA_CH0_Status register is set. The Start Receive command is effective only when the reception is stopped. If the command is issued before setting the DMA_CH0_RxDesc_List_Address register, the DMA behavior is unpredictable. When this bit is reset, the Rx DMA operation is stopped after the transfer of the current packet. The next descriptor position in the Receive list is saved, and it becomes the current position after the Rx process is restarted. The Stop Receive command is effective only when the Rx process is in the Running (waiting for Rx packet) or Suspended state. 0x0 (STOP): Stop Receive 0x1 (START): Start Receive</p>

**GMAC DMA CH0 TxDesc List Address**

Address: Operational Base + offset (0x1114)

Bit	Attr	Reset Value	Description
31:3	RW	0x00000000	<p>TDESLA Start of Transmit List This field contains the base address of the first descriptor in the Transmit descriptor list. The DMA ignores the LSB bits (1:0, 2:0, or 3:0) for 32-bit, 64-bit, or 128-bit bus width and internally takes these bits as all-zero. Therefore, these LSB bits are read-only (RO). The width of this field depends on the configuration: 31:2 for 32-bit configuration 31:3 for 64-bit configuration 31:4 for 128-bit configuration</p>

**GMAC DMA CH0 RxDesc List Address**

Address: Operational Base + offset (0x111c)

Bit	Attr	Reset Value	Description
31:3	RW	0x00000000	<p>RDESLA Start of Receive List This field contains the base address of the first descriptor in the Rx Descriptor list. The DMA ignores the LSB bits (1:0, 2:0, or 3:0) for 32-bit, 64-bit, or 128-bit bus width and internally takes these bits as all-zero. Therefore, these LSB bits are read-only (RO). The width of this field depends on the configuration: 31:2 for 32-bit configuration 31:3 for 64-bit configuration 31:4 for 128-bit configuration</p>

**GMAC DMA CH0 TxDesc Tail Pointer**

Address: Operational Base + offset (0x1120)

Bit	Attr	Reset Value	Description
31:3	RW	0x00000000	<p>TDTP Transmit Descriptor Tail Pointer This field contains the tail pointer for the Tx descriptor ring. The software writes the tail pointer to add more descriptors to the Tx channel. The hardware tries to transmit all packets referenced by the descriptors between the head and the tail pointer registers. The width of this field depends on the configuration: 31:2 for 32-bit configuration 31:3 for 64-bit configuration 31:4 for 128-bit configuration</p>

**GMAC DMA CH0 RxDesc Tail Pointer**

Address: Operational Base + offset (0x1128)

Bit	Attr	Reset Value	Description
31:3	RW	0x00000000	<p>RDRT Receive Descriptor Tail Pointer This field contains the tail pointer for the Rx descriptor ring. The software writes the tail pointer to add more descriptors to the Rx channel. The hardware tries to write all received packets to the descriptors referenced between the head and the tail pointer registers. The width of this field depends on the configuration: 31:2 for 32-bit configuration 31:3 for 64-bit configuration 31:4 for 128-bit configuration</p>

**GMAC DMA CH0 TxDesc Ring Length**

Address: Operational Base + offset (0x112c)

Bit	Attr	Reset Value	Description
31:10	RO	0x000000	reserved
9:0	RW	0x000	<p>TDRL Transmit Descriptor Ring Length This field sets the maximum number of Tx descriptors in the circular descriptor ring. The maximum number of descriptors is limited to 1K descriptors. we recommends a minimum ring descriptor length of 4. For example, You can program any value up to 0x3FF in this field. This field is 10 bits wide, if you program 0x3FF, you can have 1024 descriptors. If you want to have 10 descriptors, program it to a value of 0x9.</p>

**GMAC DMA CH0 RxDesc Ring Length**

Address: Operational Base + offset (0x1130)

Bit	Attr	Reset Value	Description
31:10	RO	0x000000	reserved
9:0	RW	0x000	<p><b>RDRL</b> Receive Descriptor Ring Length</p> <p>This register sets the maximum number of Rx descriptors in the circular descriptor ring. The maximum number of descriptors is limited to 1K descriptors. For example, You can program any value up to 0x3FF in this field. This field is 10 bits wide, if you program 0x3FF, you can have 1024 descriptors. If you want to have 10 descriptors, program it to a value of 0x9.</p>

**GMAC DMA CH0 Interrupt Enable**

Address: Operational Base + offset (0x1134)

Bit	Attr	Reset Value	Description
31:16	RO	0x0000	reserved
15	RW	0x0	<p><b>NIE</b> Normal Interrupt Summary Enable</p> <p>When this bit is set, the normal interrupt summary is enabled. This bit enables the following interrupts in the DMA_CH0_Status register:</p> <ul style="list-style-type: none"> <li>Bit 0: Transmit Interrupt</li> <li>Bit 2: Transmit Buffer Unavailable</li> <li>Bit 6: Receive Interrupt</li> <li>Bit 11: Early Receive Interrupt</li> </ul> <p>When this bit is reset, the normal interrupt summary is disabled.</p> <p>0x0 (DISABLE): Normal Interrupt Summary is disabled 0x1 (ENABLE): Normal Interrupt Summary is enabled</p>
14	RW	0x0	<p><b>AIE</b> Abnormal Interrupt Summary Enable</p> <p>When this bit is set, the abnormal interrupt summary is enabled. This bit enables the following interrupts in the DMA_CH0_Status register:</p> <ul style="list-style-type: none"> <li>Bit 1: Transmit Process Stopped</li> <li>Bit 7: Rx Buffer Unavailable</li> <li>Bit 8: Receive Process Stopped</li> <li>Bit 9: Receive Watchdog Timeout</li> <li>Bit 10: Early Transmit Interrupt</li> <li>Bit 12: Fatal Bus Error</li> <li>Bit 13: Context Descriptor Error</li> </ul> <p>When this bit is reset, the abnormal interrupt summary is disabled.</p> <p>0x0 (DISABLE): Abnormal Interrupt Summary is disabled 0x1 (ENABLE): Abnormal Interrupt Summary is enabled</p>
13	RW	0x0	<p><b>CDEE</b> Context Descriptor Error Enable</p> <p>When this bit is set along with the AIE bit, the Descriptor error interrupt is enabled. When this bit is reset, the Descriptor error interrupt is disabled.</p> <p>0x0 (DISABLE): Context Descriptor Error is disabled 0x1 (ENABLE): Context Descriptor Error is enabled</p>

Bit	Attr	Reset Value	Description
12	RW	0x0	<b>FBEE</b> Fatal Bus Error Enable When this bit is set along with the AIE bit, the Fatal Bus error interrupt is enabled. When this bit is reset, the Fatal Bus Error error interrupt is disabled. 0x0 (DISABLE): Fatal Bus Error is disabled 0x1 (ENABLE): Fatal Bus Error is enabled
11	RW	0x0	<b>ERIE</b> Early Receive Interrupt Enable When this bit is set along with the NIE bit, the Early Receive interrupt is enabled. When this bit is reset, the Early Receive interrupt is disabled. 0x0 (DISABLE): Early Receive Interrupt is disabled 0x1 (ENABLE): Early Receive Interrupt is enabled
10	RW	0x0	<b>ETIE</b> Early Transmit Interrupt Enable When this bit is set along with the AIE bit, the Early Transmit interrupt is enabled. When this bit is reset, the Early Transmit interrupt is disabled. 0x0 (DISABLE): Early Transmit Interrupt is disabled 0x1 (ENABLE): Early Transmit Interrupt is enabled
9	RW	0x0	<b>RWTE</b> Receive Watchdog Timeout Enable When this bit is set along with the AIE bit, the Receive Watchdog Timeout interrupt is enabled. When this bit is reset, the Receive Watchdog Timeout interrupt is disabled. 0x0 (DISABLE): Receive Watchdog Timeout is disabled 0x1 (ENABLE): Receive Watchdog Timeout is enabled
8	RW	0x0	<b>RSE</b> Receive Stopped Enable When this bit is set along with the AIE bit, the Receive Stopped Interrupt is enabled. When this bit is reset, the Receive Stopped interrupt is disabled.
7	RW	0x0	<b>RBUE</b> Receive Buffer Unavailable Enable When this bit is set along with the AIE bit, the Receive Buffer Unavailable interrupt is enabled. When this bit is reset, the Receive Buffer Unavailable interrupt is disabled. 0x0 (DISABLE): Receive Buffer Unavailable is disabled 0x1 (ENABLE): Receive Buffer Unavailable is enabled
6	RW	0x0	<b>RIE</b> Receive Interrupt Enable When this bit is set along with the NIE bit, the Receive Interrupt is enabled. When this bit is reset, the Receive Interrupt is disabled. 0x0 (DISABLE): Receive Interrupt is disabled 0x1 (ENABLE): Receive Interrupt is enabled
5:3	RO	0x0	reserved
2	RW	0x0	<b>TBUE</b> Transmit Buffer Unavailable Enable When this bit is set along with the NIE bit, the Transmit Buffer Unavailable interrupt is enabled. When this bit is reset, the Transmit Buffer Unavailable interrupt is disabled. 0x0 (DISABLE): Transmit Buffer Unavailable is disabled 0x1 (ENABLE): Transmit Buffer Unavailable is enabled



Bit	Attr	Reset Value	Description
1	RW	0x0	<p>TXSE Transmit Stopped Enable</p> <p>When this bit is set along with the AIE bit, the Transmission Stopped interrupt is enabled. When this bit is reset, the Transmission Stopped interrupt is disabled.</p> <p>0x0 (DISABLE): Transmit Stopped is disabled 0x1 (ENABLE): Transmit Stopped is enabled</p>
0	RW	0x0	<p>TIE Transmit Interrupt Enable</p> <p>When this bit is set along with the NIE bit, the Transmit Interrupt is enabled. When this bit is reset, the Transmit Interrupt is disabled.</p> <p>0x0 (DISABLE): Transmit Interrupt is disabled 0x1 (ENABLE): Transmit Interrupt is enabled</p>

**GMAC DMA CH0 Rx Interrupt WD Timer**

Address: Operational Base + offset (0x1138)

Bit	Attr	Reset Value	Description
31:18	RO	0x0000	reserved
17:16	RW	0x0	<p>RWTU Receive Interrupt Watchdog Timer Count Units</p> <p>This fields indicates the number of system clock cycles corresponding to one unit in RWT field.</p> <p>2'b00: 256 2'b01: 512 2'b10: 1024 2'b11: 2048</p> <p>For example, when RWT=2 and RWTU=1, the watchdog timer is set for 2*512=1024 system clock cycles.</p>
15:8	RO	0x00	reserved
7:0	RW	0x00	<p>RWT Receive Interrupt Watchdog Timer Count</p> <p>This field indicates the number of system clock cycles, multiplied by factor indicated in RWTU field, for which the watchdog timer is set.</p> <p>The watchdog timer is triggered with the programmed value after the Rx DMA completes the transfer of a packet for which the RI bit is not set in the DMA_CH(#i)_Status register, because of the setting of Interrupt Enable bit in the corresponding descriptor RDES3[30].</p> <p>When the watchdog timer runs out, the RI bit is set and the timer is stopped. The watchdog timer is reset when the RI bit is set high because of automatic setting of RI as per the Interrupt Enable bit RDES3[30] of any received packet.</p>

**GMAC DMA CH0 Slot Func Ctrl Status**

Address: Operational Base + offset (0x113c)

Bit	Attr	Reset Value	Description
31:20	RO	0x000	reserved
19:16	RO	0x0	<p>RSN Reference Slot Number</p> <p>This field gives the current value of the reference slot number in the DMA. It is used for slot comparison.</p>

Bit	Attr	Reset Value	Description
15:4	RW	0x07c	<p><b>SIV</b> Slot Interval Value This field controls the period of the slot interval in which the TxDMA fetches the scheduled packets. A value of 0 specifies the slot interval of 1 us while the maximum value 4095 specifies the slot interval of 4096us. The default/reset value is 0x07C which corresponds to slot interval of 125us.</p>
3:2	RO	0x0	reserved
1	RW	0x0	<p><b>ASC</b> Advance Slot Check When set, this bit enables the DMA to fetch the data from the buffer when the slot number (SLOTNUM) programmed in the Tx descriptor is 1.equal to the reference slot number given in the RSN field 2.ahead of the reference slot number by up to two slots This bit is applicable only when the ESC bit is set. Values: 0x0 (DISABLE): Advance Slot Check is disabled 0x1 (ENABLE): Advance Slot Check is</p>
0	RW	0x0	<p><b>ESC</b> Enable Slot Comparison When set, this bit enables the checking of the slot numbers programmed in the Tx descriptor with the current reference given in the RSN field. The DMA fetches the data from the corresponding buffer only when the slot number is 1.equal to the reference slot number 2.ahead of the reference slot number by one slot When reset, this bit disables the checking of the slot numbers. The DMA fetches the data immediately after the descriptor is processed. Note: The UFO (UDP Fragmentation over IPv4)/TSO/USO should not be enabled along with TBS/AVB Slot number check. The UFO/TSO/USO involves multiple packets/segments/fragments transmission for single packet received from application and the slot number check are applicable for fetching of only first segment/fragment. As a result it might be difficult for software to specify slot number for subsequent packets. Values: 0x0 (DISABLE): Slot Comparison is disabled 0x1 (ENABLE): Slot Comparison is enabled</p>

**GMAC DMA CH0 Current App TxDesc**

Address: Operational Base + offset (0x1144)

Bit	Attr	Reset Value	Description
31:0	RO	0x00000000	<p><b>CURTDESAPTR</b> Application Transmit Descriptor Address Pointer The DMA updates this pointer during Tx operation. This pointer is cleared on reset.</p>

**GMAC DMA CH0 Current App RxDesc**

Address: Operational Base + offset (0x114c)

Bit	Attr	Reset Value	Description
31:0	RO	0x00000000	CURRDESAPTR Application Receive Descriptor Address Pointer The DMA updates this pointer during Rx operation. This pointer is cleared on reset.

**GMAC DMA CH0 Current App TxBuffer**

Address: Operational Base + offset (0x1154)

Bit	Attr	Reset Value	Description
31:0	RO	0x00000000	CURTBUFAPTR Application Transmit Buffer Address Pointer The DMA updates this pointer during Tx operation. This pointer is cleared on reset.

**GMAC DMA CH0 Current App RxBuffer**

Address: Operational Base + offset (0x115c)

Bit	Attr	Reset Value	Description
31:0	RO	0x00000000	CURRBUFAPTR Application Receive Buffer Address Pointer The DMA updates this pointer during Rx operation. This pointer is cleared on reset.

**GMAC DMA CH0 Status**

Address: Operational Base + offset (0x1160)

Bit	Attr	Reset Value	Description
31:22	RO	0x000	reserved
21:19	RO	0x0	REB Rx DMA Error Bits This field indicates the type of error that caused a Bus Error. For example, error response on the AHB or AXI interface. 1.Bit 21 1'b1: Error during data transfer by Rx DMA 1'b0: No Error during data transfer by Rx DMA 2.Bit 20 1'b1: Error during descriptor access 1'b0: Error during data buffer access 3.Bit 19 1'b1: Error during read transfer 1'b0: Error during write transfer This field is valid only when the FBE bit is set. This field does not generate an interrupt.
18:16	RO	0x0	TEB Tx DMA Error Bits This field indicates the type of error that caused a Bus Error. For example, error response on the AHB or AXI interface. 1.Bit 18 1'b1: Error during data transfer by Tx DMA 1'b0: No Error during data transfer by Tx DMA 2.Bit 17 1'b1: Error during descriptor access 1'b0: Error during data buffer access 3.Bit 16 1'b1: Error during read transfer 1'b0: Error during write transfer This field is valid only when the FBE bit is set. This field does not generate an interrupt.

Bit	Attr	Reset Value	Description
15	RW	0x0	<p><b>NIS</b> Normal Interrupt Summary Normal Interrupt Summary bit value is the logical OR of the following bits when the corresponding interrupt bits are enabled in the DMA_CH0_Interrupt_Enable register: Bit 0: Transmit Interrupt Bit 2: Transmit Buffer Unavailable Bit 6: Receive Interrupt Bit 11: Early Receive Interrupt Only unmasked bits (interrupts for which interrupt enable is set in DMA_CH0_Interrupt_Enable register) affect the Normal Interrupt Summary bit. This is a sticky bit. You must clear this bit (by writing 1 to this bit) each time a corresponding bit which causes NIS to be set is cleared. Access restriction applies. Self-set to 1 on internal event. Setting 1 clears. Setting 0 has no effect.</p> <p>0x0 (INACTIVE): Normal Interrupt Summary status not detected 0x1 (ACTIVE): Normal Interrupt Summary status detected</p>
14	RW	0x0	<p><b>AIS</b> Abnormal Interrupt Summary Abnormal Interrupt Summary bit value is the logical OR of the following when the corresponding interrupt bits are enabled in the DMA_CH0_Interrupt_Enable register: Bit 1: Transmit Process Stopped Bit 7: Receive Buffer Unavailable Bit 8: Receive Process Stopped Bit 10: Early Transmit Interrupt Bit 12: Fatal Bus Error Bit 13: Context Descriptor Error Only unmasked bits affect the Abnormal Interrupt Summary bit. This is a sticky bit. You must clear this bit (by writing 1 to this bit) each time a corresponding bit, which causes AIS to be set, is cleared. Access restriction applies. Self-set to 1 on internal event. Setting 1 clears. Setting 0 has no effect.</p> <p>0x0 (INACTIVE): Abnormal Interrupt Summary status not detected 0x1 (ACTIVE): Abnormal Interrupt Summary status</p>
13	RW	0x0	<p><b>CDE</b> Context Descriptor Error This bit indicates that the DMA Tx/Rx engine received a descriptor error, which indicates invalid context in the middle of packet flow ( intermediate descriptor) or all one's descriptor in Tx case and on Rx side it indicates DMA has read a descriptor with either of the buffer address as ones which is considered to be invalid. Access restriction applies. Self-set to 1 on internal event. Setting 1 clears. Setting 0 has no effect.</p> <p>0x0 (INACTIVE): Context Descriptor Error status not detected 0x1 (ACTIVE): Context Descriptor Error status detected</p>

Bit	Attr	Reset Value	Description
12	RW	0x0	<p><b>FBE</b> Fatal Bus Error This bit indicates that a bus error occurred (as described in the EB field). When this bit is set, the corresponding DMA channel engine disables all bus accesses. Access restriction applies. Self-set to 1 on internal event. Setting 1 clears. Setting 0 has no effect.</p> <p>0x0 (INACTIVE): Fatal Bus Error status not detected 0x1 (ACTIVE): Fatal Bus Error status detected</p>
11	RW	0x0	<p><b>ERI</b> Early Receive Interrupt This bit when set indicates that the RxDMA has completed the transfer of packet data to the memory. In configs supporting ERIC, When ERIC=0, this bit is set only after the Rx DMA has filled up a complete receive buffer with packet data. When ERIC=1, this bit is set after every burst transfer of data from the Rx DMA to the buffer. The setting of RI bit automatically clears this bit. Access restriction applies. Self-set to 1 on internal event. Setting 1 clears. Setting 0 has no effect.</p> <p>0x0 (INACTIVE): Early Receive Interrupt status not detected 0x1 (ACTIVE): Early Receive Interrupt status detected</p>
10	RW	0x0	<p><b>ETI</b> Early Transmit Interrupt This bit when set indicates that the TxDMA has completed the transfer of packet data to the MTL TXFIFO memory. In configs supporting ERIC: When ETIC=0, this bit is set only after the Tx DMA has transferred a complete packet to MTL. When ETIC=1, this bit is set after completion of (partial) packet data transfer from buffers in the Transmit descriptor in which IOC=1. Access restriction applies. Self-set to 1 on internal event. Setting 1 clears. Setting 0 has no effect.</p> <p>0x0 (INACTIVE): Early Transmit Interrupt status not detected 0x1 (ACTIVE): Early Transmit Interrupt status detected</p>
9	RW	0x0	<p><b>RWT</b> Receive Watchdog Timeout This bit is asserted when a packet with length greater than 2,048 bytes (10,240 bytes when Jumbo Packet mode is enabled) is received.</p> <p>0x0 (INACTIVE): Receive Watchdog Timeout status not detected 0x1 (ACTIVE): Receive Watchdog Timeout status detected</p>
8	RW	0x0	<p><b>RPS</b> Receive Process Stopped This bit is asserted when the Rx process enters the Stopped state. Access restriction applies. Self-set to 1 on internal event. Setting 1 clears. Setting 0 has no effect.</p> <p>0x0 (INACTIVE): Receive Process Stopped status not detected 0x1 (ACTIVE): Receive Process Stopped status detected</p>

Bit	Attr	Reset Value	Description
7	RW	0x0	<p><b>RBU</b> Receive Buffer Unavailable This bit indicates that the application owns the next descriptor in the Receive list, and the DMA cannot acquire it. The Rx process is suspended. To resume processing Rx descriptors, the application should change the ownership of the descriptor and issue a Receive Poll Demand command. If this command is not issued, the Rx process resumes when the next recognized incoming packet is received. In ring mode, the application should advance the Receive Descriptor Tail Pointer register of a channel. This bit is set only when the DMA owns the previous Rx descriptor.</p> <p>Access restriction applies. Self-set to 1 on internal event. Setting 1 clears. Setting 0 has no effect.</p> <p>0x0 (INACTIVE): Receive Buffer Unavailable status not detected 0x1 (ACTIVE): Receive Buffer Unavailable status detected</p>
6	RW	0x0	<p><b>RI</b> Receive Interrupt This bit indicates that the packet reception is complete. When packet reception is complete, Bit 31 of RDES3 is reset in the last descriptor, and the specific packet status information is updated in the descriptor. The reception remains in the Running state.</p> <p>Access restriction applies. Self-set to 1 on internal event. Setting 1 clears. Setting 0 has no effect.</p> <p>0x0 (INACTIVE): Receive Interrupt status not detected 0x1 (ACTIVE): Receive Interrupt status detected</p>
5:3	RO	0x0	reserved
2	RW	0x0	<p><b>TBU</b> Transmit Buffer Unavailable This bit indicates that the application owns the next descriptor in the Transmit list, and the DMA cannot acquire it. Transmission is suspended. The TPS0 field of the DMA_Debug_Status0 register explains the Transmit Process state transitions. To resume processing the Transmit descriptors, the application should do the following: 1. Change the ownership of the descriptor by setting Bit 31 of TDES3. 2. Issue a Transmit Poll Demand command. For ring mode, the application should advance the Transmit Descriptor Tail Pointer register of a channel. Access restriction applies. Self-set to 1 on internal event. Setting 1 clears. Setting 0 has no effect.</p> <p>0x0 (INACTIVE): Transmit Buffer Unavailable status not detected 0x1 (ACTIVE): Transmit Buffer Unavailable status</p>

Bit	Attr	Reset Value	Description
1	RW	0x0	<p>TPS Transmit Process Stopped This bit is set when the transmission is stopped. Access restriction applies. Self-set to 1 on internal event. Setting 1 clears. Setting 0 has no effect.</p> <p>0x0 (INACTIVE): Transmit Process Stopped status not detected 0x1 (ACTIVE): Transmit Process Stopped status detected</p>
0	RW	0x0	<p>TI Transmit Interrupt This bit indicates that the packet transmission is complete. When transmission is complete, Bit 31 of TDES3 is reset in the last descriptor, and the specific packet status information is updated in the descriptor. Access restriction applies. Self-set to 1 on internal event. Setting 1 clears. Setting 0 has no effect.</p> <p>0x0 (INACTIVE): Transmit Interrupt status not detected 0x1 (ACTIVE): Transmit Interrupt status detected</p>

**GMAC DMA CH0 Miss Frame Cnt**

Address: Operational Base + offset (0x1164)

Bit	Attr	Reset Value	Description
31:16	RO	0x0000	reserved
15	RO	0x0	<p>MFC0 Overflow status of the MFC Counter When this bit is set then the MFC counter does not get incremented further. The bit gets cleared when this register is read. Access restriction applies. Clears on read. Self-set to 1 on internal event.</p> <p>0x0 (INACTIVE): Miss Frame Counter overflow not occurred 0x1 (ACTIVE): Miss Frame Counter overflow occurred</p>
14:11	RO	0x0	reserved
10:0	RO	0x000	<p>MFC Dropped Packet Counters This counter indicates the number of packet counters that are dropped by the DMA either because of bus error or because of programming RPF field in DMA_CH<i>i</i>_Rx_Control register. The counter gets cleared when this register is read. Access restriction applies. Clears on read. Self-set to 1 on internal event.</p>

**GMAC DMA CH0 RX ERI Cnt**

Address: Operational Base + offset (0x1168)

Bit	Attr	Reset Value	Description
31:1	RO	0x00000000	reserved
0	RO	0x0	<p>ECNT ERI Counter When ERIC bit of DMA_CH(<i>i</i>)_RX_Control register is set, this counter increments for burst transfer completed by the Rx DMA from the start of packet transfer. This counter will get reset at the start of new packet.</p>

**GMAC MAC Address1 High**

Address: Operational Base + offset (0x0308)

Bit	Attr	Reset Value	Description
31	RO	0x0	<p>AE Address Enable This bit is always set to 1. Values: 1'b0: This bit must be always set to 1 1'b1: This bit is always set to 1</p>
30	RW	0x0	<p>SA Source Address When this bit is set, the MAC Address1[47:0] is used to compare with the SA fields of the received packet. When this bit is reset, the MAC Address1[47:0] is used to compare with the DA fields of the received packet. Values: 0x0 (DA): Compare with Destination Address 0x1 (SA): Compare with Source Address</p>
29:24	RW	0x00	<p>MBC Mask Byte Control These bits are mask control bits for comparing each of the MAC Address bytes. When set high, the MAC does not compare the corresponding byte of received DA or SA with the contents of MAC Address1 registers. Each bit controls the masking of the bytes as follows: Bit 29: MAC_Address1_High[15:8] Bit 28: MAC_Address1_High[7:0] Bit 27: MAC_Address1_Low[31:24] ... Bit 24: MAC_Address1_Low[7:0] You can filter a group of addresses (known as group address filtering) by masking one or more bytes of the address.</p>
23:17	RO	0x00	reserved
16	RW	0x0	<p>DCS DMA Channel Select If the PDC bit of MAC_Ext_Configuration register is not set: This field contains the binary representation of the DMA Channel number to which an Rx packet whose DA matches the MAC Address1 content is routed. If the PDC bit of MAC_Ext_Configuration register is set: This field contains the one-hot representation of one or more DMA Channel numbers to which an Rx packet whose DA matches the MAC Address1 content is routed.</p>
15:0	RW	0xffff	<p>ADDRHI MAC Address1[47:32] This field contains the upper 16 bits [47:32] of the first 6-byte MAC address. The MAC uses this field for filtering the received packets and inserting the MAC address in the Transmit Flow Control (Pause) Packets.</p>

**GMAC MAC Address1 Low**

Address: Operational Base + offset (0x030c)



Bit	Attr	Reset Value	Description
31:0	RW	0xffffffff	<b>ADDRLO</b> MAC Address1[31:0] This field contains the lower 32 bits of the first 6-byte MAC address. The MAC uses this field for filtering the received packets and inserting the MAC address in the Transmit Flow Control (Pause) Packets.

**GMAC MAC Address2 High**

Address: Operational Base + offset (0x0310)

Bit	Attr	Reset Value	Description
31	RO	0x0	<b>AE</b> Address Enable This bit is always set to 1. Values: 1'b0: This bit must be always set to 1 1'b1: This bit is always set to 1
30	RW	0x0	<b>SA</b> Source Address When this bit is set, the MAC Address1[47:0] is used to compare with the SA fields of the received packet. When this bit is reset, the MAC Address1[47:0] is used to compare with the DA fields of the received packet. Values: 0x0 (DA): Compare with Destination Address 0x1 (SA): Compare with Source Address
29:24	RW	0x00	<b>MBC</b> Mask Byte Control These bits are mask control bits for comparing each of the MAC Address bytes. When set high, the MAC does not compare the corresponding byte of received DA or SA with the contents of MAC Address1 registers. Each bit controls the masking of the bytes as follows: Bit 29: MAC_Address2_High[15:8] Bit 28: MAC_Address2_High[7:0] Bit 27: MAC_Address2_Low[31:24] ... Bit 24: MAC_Address2_Low[7:0] You can filter a group of addresses (known as group address filtering) by masking one or more bytes of the address.
23:17	RO	0x00	reserved
16	RW	0x0	<b>DCS</b> DMA Channel Select If the PDC bit of MAC_Ext_Configuration register is not set: This field contains the binary representation of the DMA Channel number to which an Rx packet whose DA matches the MAC Address1 content is routed. If the PDC bit of MAC_Ext_Configuration register is set: This field contains the one-hot representation of one or more DMA Channel numbers to which an Rx packet whose DA matches the MAC Address1 content is routed.

Bit	Attr	Reset Value	Description
15:0	RW	0xffff	<b>ADDRHI</b> MAC Address2[47:32] This field contains the upper 16 bits [47:32] of the first 6-byte MAC address. The MAC uses this field for filtering the received packets and inserting the MAC address in the Transmit Flow Control (Pause) Packets.

**GMAC MAC Address2 Low**

Address: Operational Base + offset (0x0314)

Bit	Attr	Reset Value	Description
31:0	RW	0xffffffff	<b>ADDRLO</b> MAC Address2[31:0] This field contains the lower 32 bits of the first 6-byte MAC address. The MAC uses this field for filtering the received packets and inserting the MAC address in the Transmit Flow Control (Pause) Packets.

**GMAC MAC Address3 High**

Address: Operational Base + offset (0x0318)

Bit	Attr	Reset Value	Description
31	RO	0x0	<b>AE</b> Address Enable This bit is always set to 1. Values: 1'b0: This bit must be always set to 1 1'b1: This bit is always set to 1
30	RW	0x0	<b>SA</b> Source Address When this bit is set, the MAC Address1[47:0] is used to compare with the SA fields of the received packet. When this bit is reset, the MAC Address1[47:0] is used to compare with the DA fields of the received packet. Values: 0x0 (DA): Compare with Destination Address 0x1 (SA): Compare with Source Address
29:24	RW	0x00	<b>MBC</b> Mask Byte Control These bits are mask control bits for comparing each of the MAC Address bytes. When set high, the MAC does not compare the corresponding byte of received DA or SA with the contents of MAC Address1 registers. Each bit controls the masking of the bytes as follows: Bit 29: MAC_Address3_High[15:8] Bit 28: MAC_Address3_High[7:0] Bit 27: MAC_Address3_Low[31:24] ... Bit 24: MAC_Address3_Low[7:0] You can filter a group of addresses (known as group address filtering) by masking one or more bytes of the address.
23:17	RO	0x00	reserved

Bit	Attr	Reset Value	Description
16	RW	0x0	DCS DMA Channel Select If the PDC bit of MAC_Ext_Configuration register is not set: This field contains the binary representation of the DMA Channel number to which an Rx packet whose DA matches the MAC Address1 content is routed. If the PDC bit of MAC_Ext_Configuration register is set: This field contains the one-hot representation of one or more DMA Channel numbers to which an Rx packet whose DA matches the MAC Address1 content is routed.
15:0	RW	0xffff	ADDRHI MAC Address3[47:32] This field contains the upper 16 bits [47:32] of the first 6-byte MAC address. The MAC uses this field for filtering the received packets and inserting the MAC address in the Transmit Flow Control (Pause) Packets.

**GMAC MAC Address3 Low**

Address: Operational Base + offset (0x031c)

Bit	Attr	Reset Value	Description
31:0	RW	0xffffffff	ADDRLO MAC Address3[31:0] This field contains the lower 32 bits of the first 6-byte MAC address. The MAC uses this field for filtering the received packets and inserting the MAC address in the Transmit Flow Control (Pause) Packets.

**GMAC MAC L3 L4 Control1**

Address: Operational Base + offset (0x0930)

Bit	Attr	Reset Value	Description
31:29	RO	0x0	reserved
28	RW	0x0	DMCHEN0 DMA Channel Select Enable When set, this bit enables the selection of the DMA channel number for the packet that is passed by this L3_L4 filter. The DMA channel is indicated by the DMCHN bits. When this bit is reset, the DMA channel is not decided by this filter. Values: 0x0 (DISABLE): DMA Channel Select is disabled 0x1 (ENABLE): DMA Channel Select is enabled
27:25	RO	0x0	reserved
24	RW	0x0	DMCHN0 DMA Channel Number When DMCHEN is set high, this field selects the DMA Channel number to which the packet passed by this filter is routed. The width of this field depends on the number of the DMA channels present in your configuration.
23:22	RO	0x0	reserved

Bit	Attr	Reset Value	Description
21	RW	0x0	<p><b>L4DPIM0</b>                      Layer 4 Destination Port Inverse Match Enable                      When this bit is set, the Layer 4 Destination Port number field is enabled for inverse matching. When this bit is reset, the Layer 4 Destination Port number field is enabled for perfect matching. This bit is valid and applicable only when the L4DPM0 bit is set high.                      Values:                      0x0 (DISABLE): Layer 4 Destination Port Inverse Match is disabled                      0x1 (ENABLE): Layer 4 Destination Port Inverse Match is enabled</p>
20	RW	0x0	<p><b>L4DPM0</b>                      Layer 4 Destination Port Match Enable                      When this bit is set, the Layer 4 Destination Port number field is enabled for matching. When this bit is reset, the MAC ignores the Layer 4 Destination Port number field for matching.                      Values:                      0x0 (DISABLE): Layer 4 Destination Port Match is disabled                      0x1 (ENABLE): Layer 4 Destination Port Match is enabled</p>
19	RW	0x0	<p><b>L4SPIM0</b>                      Layer 4 Source Port Inverse Match Enable                      When this bit is set, the Layer 4 Source Port number field is enabled for inverse matching. When this bit is reset, the Layer 4 Source Port number field is enabled for perfect matching. This bit is valid and applicable only when the L4SPM0 bit is set high.                      Values:                      0x0 (DISABLE): Layer 4 Source Port Inverse Match is disabled                      0x1 (ENABLE): Layer 4 Source Port Inverse Match is enabled</p>
18	RW	0x0	<p><b>L4SPM0</b>                      Layer 4 Source Port Match Enable                      When this bit is set, the Layer 4 Source Port number field is enabled for matching. When this bit is reset, the MAC ignores the Layer 4 Source Port number field for matching.                      Values:                      0x0 (DISABLE): Layer 4 Source Port Match is disabled                      0x1 (ENABLE): Layer 4 Source Port Match is enabled</p>
17	RO	0x0	reserved
16	RW	0x0	<p><b>L4PEN0</b>                      Layer 4 Protocol Enable                      When this bit is set, the Source and Destination Port number fields of UDP packets are used for matching. When this bit is reset, the Source and Destination Port number fields of TCP packets are used for matching. The Layer 4 matching is done only when the L4SPM0 or L4DPM0 bit is set.                      Values:                      0x0 (DISABLE): Layer 4 Protocol is disabled                      0x1 (ENABLE): Layer 4 Protocol is enabled</p>

Bit	Attr	Reset Value	Description
15:11	RW	0x00	<p>L3HDBM0 Layer 3 IP DA Higher Bits Match IPv4 Packets: This field contains the number of higher bits of IP Destination Address that are matched in the IPv4 packets. The following list describes the values of this field: 0: No bits are masked. 1: LSb[0] is masked 2: Two LSbs [1:0] are masked .. 31: All bits except MSb are masked. IPv6 Packets: Bits[12:11] of this field correspond to Bits[6:5] of L3HSBM0 which indicate the number of lower bits of IP Source or Destination Address that are masked in the IPv6 packets. The following list describes the concatenated values of the L3HDBM0[1:0] and L3HSBM0 bits: 0: No bits are masked. 1: LSb[0] is masked. 2: Two LSbs [1:0] are masked .. 127: All bits except MSb are masked. This field is valid and applicable only when the L3DAM0 or L3SAM0 bit is set.</p>
10:6	RW	0x00	<p>L3HSBM0 Layer 3 IP SA Higher Bits Match IPv4 Packets: This field contains the number of lower bits of IP Source Address that are masked for matching in the IPv4 packets. The following list describes the values of this field: 0: No bits are masked. 1: LSb[0] is masked 2: Two LSbs [1:0] are masked .. 31: All bits except MSb are masked. IPv6 Packets: This field contains Bits[4:0] of L3HSBM0. These bits indicate the number of higher bits of IP Source or Destination Address matched in the IPv6 packets. This field is valid and applicable only when the L3DAM0 or L3SAM0 bit is set high.</p>
5	RW	0x0	<p>L3DAIM0 Layer 3 IP DA Inverse Match Enable When this bit is set, the Layer 3 IP Destination Address field is enabled for inverse matching. When this bit is reset, the Layer 3 IP Destination Address field is enabled for perfect matching. This bit is valid and applicable only when the L3DAM0 bit is set high. Values: 0x0 (DISABLE): Layer 3 IP DA Inverse Match is disabled 0x1 (ENABLE): Layer 3 IP DA Inverse Match is enabled</p>

Bit	Attr	Reset Value	Description
4	RW	0x0	<p><b>L3DAM0</b>                      Layer 3 IP DA Match Enable                      When this bit is set, the Layer 3 IP Destination Address field is enabled for matching. When this bit is reset, the MAC ignores the Layer 3 IP Destination Address field for matching.                      Note: When the L3PEN0 bit is set, you should set either this bit or the L3SAM0 bit because either IPv6 DA or SA can be checked for filtering.                      Values:                      0x0 (DISABLE): Layer 3 IP DA Match is disabled                      0x1 (ENABLE): Layer 3 IP DA Match is enabled</p>
3	RW	0x0	<p><b>L3SAIM0</b>                      Layer 3 IP SA Inverse Match Enable                      When this bit is set, the Layer 3 IP Source Address field is enabled for inverse matching. When this bit reset, the Layer 3 IP Source Address field is enabled for perfect matching.                      This bit is valid and applicable only when the L3SAM0 bit is set.                      Values:                      0x0 (DISABLE): Layer 3 IP SA Inverse Match is disabled                      0x1 (ENABLE): Layer 3 IP SA Inverse Match is enabled</p>
2	RW	0x0	<p><b>L3SAM0</b>                      Layer 3 IP SA Match Enable                      When this bit is set, the Layer 3 IP Source Address field is enabled for matching. When this bit is reset, the MAC ignores the Layer 3 IP Source Address field for matching.                      Note: When the L3PEN0 bit is set, you should set either this bit or the L3DAM0 bit because either IPv6 SA or DA can be checked for filtering.                      Values:                      0x0 (DISABLE): Layer 3 IP SA Match is disabled                      0x1 (ENABLE): Layer 3 IP SA Match is enabled</p>
1	RO	0x0	reserved
0	RW	0x0	<p><b>L3PEN0</b>                      Layer 3 Protocol Enable                      When this bit is set, the Layer 3 IP Source or Destination Address matching is enabled for IPv6 packets. When this bit is reset, the Layer 3 IP Source or Destination Address matching is enabled for IPv4 packets.                      The Layer 3 matching is done only when the L3SAM0 or L3DAM0 bit is set.                      Values:                      0x0 (DISABLE): Layer 3 Protocol is disabled                      0x1 (ENABLE): Layer 3 Protocol is enabled</p>

**GMAC MAC Layer4 Address1**

Address: Operational Base + offset (0x0934)

Bit	Attr	Reset Value	Description
31:16	RW	0x0000	<p><b>L4DP0</b>                      Layer 4 Destination Port Number Field                      When the L4PEN0 bit is reset and the L4DPM0 bit is set in the MAC_L3_L4_Control0 register, this field contains the value to be matched with the TCP Destination Port Number field in the IPv4 or IPv6 packets.                      When the L4PEN0 and L4DPM0 bits are set in MAC_L3_L4_Control0 register, this field contains the value to be matched with the UDP Destination Port Number field in the IPv4 or IPv6 packets.</p>
15:0	RW	0x0000	<p><b>L4SP0</b>                      Layer 4 Source Port Number Field                      When the L4PEN0 bit is reset and the L4SPM0 bit is set in the MAC_L3_L4_Control0 register, this field contains the value to be matched with the TCP Source Port Number field in the IPv4 or IPv6 packets.                      When the L4PEN0 and L4SPM0 bits are set in MAC_L3_L4_Control0 register, this field contains the value to be matched with the UDP Source Port Number field in the IPv4 or IPv6 packets.</p>

**GMAC MAC Layer3 Addr0 Reg1**

Address: Operational Base + offset (0x0940)

Bit	Attr	Reset Value	Description
31:0	RW	0x00000000	<p><b>L3A00</b>                      Layer 3 Address 0 Field                      When the L3PEN0 and L3SAM0 bits are set in the MAC_L3_L4_Control0 register, this field contains the value to be matched with Bits[31:0] of the IP Source Address field in the IPv6 packets.                      When the L3PEN0 and L3DAM0 bits are set in the MAC_L3_L4_Control0 register, this field contains the value to be matched with Bits[31:0] of the IP Destination Address field in the IPv6 packets.                      When the L3PEN0 bit is reset and the L3SAM0 bit is set in the MAC_L3_L4_Control0 register, this field contains the value to be matched with the IP Source Address field in the IPv4 packets.</p>

**GMAC MAC Layer3 Addr1 Reg1**

Address: Operational Base + offset (0x0944)

Bit	Attr	Reset Value	Description
31:1	RO	0x00000000	reserved

Bit	Attr	Reset Value	Description
0	RW	0x0	<p><b>L3A10</b>                      Layer 3 Address 1 Field                      When the L3PEN0 and L3SAM0 bits are set in the MAC_L3_L4_Control0 register, this field contains the value to be matched with Bits[63:32] of the IP Source Address field in the IPv6 packets.                      When the L3PEN0 and L3DAM0 bits are set in the MAC_L3_L4_Control0 register, this field contains the value to be matched with Bits[63:32] of the IP Destination Address field in the IPv6 packets.                      When the L3PEN0 bit is reset and the L3SAM0 bit is set in the MAC_L3_L4_Control0 register, this field contains the value to be matched with the IP Destination Address field in the IPv4 packets.</p>

**GMAC MAC Layer3 Addr2 Reg1**

Address: Operational Base + offset (0x0948)

Bit	Attr	Reset Value	Description
31:0	RW	0x00000000	<p><b>L3A20</b>                      Layer 3 Address 2 Field                      When the L3PEN0 and L3SAM0 bits are set in the MAC_L3_L4_Control0 register, this field contains the value to be matched with Bits[95:64] of the IP Source Address field in the IPv6 packets.                      When the L3PEN0 and L3DAM0 bits are set in the MAC_L3_L4_Control0 register, this field contains the value to be matched with Bits[95:64] of the IP Destination Address field in the IPv6 packets.                      When the L3PEN0 bit is reset in the MAC_L3_L4_Control0 register, this field is not used.</p>

**GMAC MAC Layer3 Addr3 Reg1**

Address: Operational Base + offset (0x094c)

Bit	Attr	Reset Value	Description
31:0	RW	0x00000000	<p><b>L3A30</b>                      Layer 3 Address 3 Field                      When the L3PEN0 and L3SAM0 bits are set in the MAC_L3_L4_Control0 register, this field contains the value to be matched with Bits[127:96] of the IP Source Address field in the IPv6 packets.                      When the L3PEN0 and L3DAM0 bits are set in the MAC_L3_L4_Control0 register, this field contains the value to be matched with Bits[127:96] of the IP Destination Address field in the IPv6 packets.                      When the L3PEN0 bit is reset in the MAC_L3_L4_Control0 register, this field is not used.</p>

**GMAC MTL TxQ1 Operation Mode**

Address: Operational Base + offset (0x0d40)

Bit	Attr	Reset Value	Description
31:22	RO	0x000	reserved



Bit	Attr	Reset Value	Description
21:16	RW	0x06	<p><b>TQS</b> Transmit Queue Size This field indicates the size of the allocated Transmit queues in blocks of 256 bytes. The TQS field is read-write only if the number of Tx Queues more than one, the reset value is 0x0 and indicates size of 256 bytes. When the number of Tx Queues is one, the field is read-only and the configured TX FIFO size in blocks of 256 bytes is reflected in the reset value. The width of this field depends on the Tx memory size selected in your configuration. For example, if the memory size is 2048, the width of this field is 3 bits: <math>\text{LOG}_2(2048/256) = \text{LOG}_2(8) = 3</math> bits</p>
15:7	RO	0x000	reserved
6:4	RW	0x0	<p><b>TTC</b> Transmit Threshold Control These bits control the threshold level of the MTL Tx Queue. The transmission starts when the packet size within the MTL Tx Queue is larger than the threshold. In addition, full packets with length less than the threshold are also transmitted. These bits are used only when the TSF bit is reset. Values: 3'b000: 32 bytes 3'b001: 64 bytes 3'b010: 96 bytes 3'b011: 128 bytes 3'b100: 192 bytes 3'b101: 256 bytes 3'b110: 384 bytes 3'b111: 512 bytes</p>
3:2	RW	0x0	<p><b>TXQEN</b> Transmit Queue Enable This field is used to enable/disable the transmit queue 0. 2'b00: Not enabled 2'b01: Reserved 2'b10: Enabled 2'b11: Reserved This field is Read Only in Single Queue configurations and Read Write in Multiple Queue configurations. Note: In multiple Tx queues configuration, all the queues are disabled by default. Enable the Tx queue by programming this field. Values: 0x0 (DISABLE): Not enabled 0x1 (EN_IF_AV): Enable in AV mode (Reserved in non-AV) 0x2 (ENABLE): Enabled 0x3 (Reserved2): Reserved</p>
1	RW	0x0	<p><b>TSF</b> Transmit Store and Forward When this bit is set, the transmission starts when a full packet resides in the MTL Tx queue. When this bit is set, the TTC values specified in Bits[6:4] of this register are ignored. This bit should be changed only when the transmission is stopped. Values: 1'b0: Transmit Store and Forward is disabled 1'b1: Transmit Store and Forward is enabled</p>

Bit	Attr	Reset Value	Description
0	RW	0x0	<p><b>FTQ</b> Flush Transmit Queue</p> <p>When this bit is set, the Tx queue controller logic is reset to its default values. Therefore, all the data in the Tx queue is lost or flushed. This bit is internally reset when the flushing operation is complete. Until this bit is reset, you should not write to the MTL_TxQ1_Operation_Mode register. The data which is already accepted by the MAC transmitter is not flushed. It is scheduled for transmission and results in underflow and runt packet transmission.</p> <p>Note: The flush operation is complete only when the Tx queue is empty and the application has accepted the pending Tx Status of all transmitted packets. To complete this flush operation, the PHY Tx clock (clk_tx_i) should be active.</p> <p>Access restriction applies. Setting 1 sets. Self-cleared. Setting 0 has no effect.</p> <p>Values: 1'b0: Flush Transmit Queue is disabled 1'b1: Flush Transmit Queue is enabled</p>

**GMAC MTL TxQ1 Underflow**

Address: Operational Base + offset (0x0d44)

Bit	Attr	Reset Value	Description
31:12	RO	0x00000	reserved
11	RO	0x0	<p><b>UFCNTOVF</b> Overflow Bit for Underflow Packet Counter</p> <p>This bit is set every time the Tx queue Underflow Packet Counter field overflows, that is, it has crossed the maximum count. In such a scenario, the overflow packet counter is reset to all-zeros and this bit indicates that the rollover happened.</p> <p>Access restriction applies. Clears on read. Self-set to 1 on internal event.</p> <p>Values: 1'b0: Overflow not detected for Underflow Packet Counter 1'b1: Overflow detected for Underflow Packet Counter</p>
10:0	RO	0x000	<p><b>UFFRMCNT</b> Underflow Packet Counter</p> <p>This field indicates the number of packets aborted by the controller because of Tx Queue Underflow. This counter is incremented each time the MAC aborts outgoing packet because of underflow. The counter is cleared when this register is read with mci_be_i[0] at 1'b1.</p> <p>Access restriction applies. Clears on read. Self-set to 1 on internal event.</p>

**GMAC MTL TxQ1 Debug**

Address: Operational Base + offset (0x0d48)

Bit	Attr	Reset Value	Description
31:23	RO	0x000	reserved
22:20	RO	0x0	<p><b>STXSTS</b> Number of Status Words in Tx Status FIFO of Queue</p> <p>This field indicates the current number of status in the Tx Status FIFO of this queue. When the DTXSTS bit of MTL_Operation_Mode register is set to 1, this field does not reflect the number of status words in Tx Status FIFO.</p>

Bit	Attr	Reset Value	Description
19	RO	0x0	reserved
18:16	RO	0x0	PTXQ Number of Packets in the Transmit Queue This field indicates the current number of packets in the Tx Queue. When the DTXSTS bit of MTL_Operation_Mode register is set to 1, this field does not reflect the number of packets in the Transmit queue.
15:6	RO	0x000	reserved
5	RO	0x0	TXSTSFSTS MTL Tx Status FIFO Full Status When high, this bit indicates that the MTL Tx Status FIFO is full. Therefore, the MTL cannot accept any more packets for transmission. Values: 1'b0: MTL Tx Status FIFO Full status is not detected 1'b1: MTL Tx Status FIFO Full status is detected
4	RO	0x0	TXQSTS MTL Tx Queue Not Empty Status When this bit is high, it indicates that the MTL Tx Queue is not empty and some data is left for transmission. Values: 1'b0: MTL Tx Queue Not Empty status is not detected 1'b1: MTL Tx Queue Not Empty status is detected
3	RO	0x0	TWCSTS MTL Tx Queue Write Controller Status When high, this bit indicates that the MTL Tx Queue Write Controller is active, and it is transferring the data to the Tx Queue. Values: 1'b0: MTL Tx Queue Write Controller status is not detected 1'b1: MTL Tx Queue Write Controller status is detected
2:1	RO	0x0	TRCSTS MTL Tx Queue Read Controller Status This field indicates the state of the Tx Queue Read Controller: Values: 2'b00: Idle state 2'b01: Read state (transferring data to the MAC transmitter) 2'b10: Waiting for pending Tx Status from the MAC transmitter 2'b11: Flushing the Tx queue because of the Packet Abort request from the MAC
0	RO	0x0	TXQPAUSED Transmit Queue in Pause When this bit is high and the Rx flow control is enabled, it indicates that the Tx Queue is in the Pause condition (in the full-duplex only mode) because of the following: 1. Reception of the PFC packet for the priorities assigned to the Tx Queue when PFC is enabled 2. Reception of 802.3x Pause packet when PFC is disabled Values: 1'b0: Transmit Queue in Pause status is not detected 1'b1: Transmit Queue in Pause status is detected

**GMAC MTL TxQ1 ETS Control**

Address: Operational Base + offset (0x0d50)

Bit	Attr	Reset Value	Description
31:7	RO	0x0000000	reserved
6:4	RW	0x0	<p>SLC Slot Count If the credit-based shaper algorithm is enabled, the software can program the number of slots (of duration programmed in DMA_CH[n]_Slot_Interval register) over which the average transmitted bits per slot, provided in the MTL_Tx[n]_ETS_Status register, need to be computed for Queue. The encoding is as follows: Values: 0x0 (1_SLOT): 1 slot 0x1 (2_SLOT): 2 slots 0x2 (4_SLOT): 4 slots 0x3 (8_SLOT): 8 slots 0x4 (16_SLOT): 16 slots 0x5 (Reserved): Reserved</p>
3	RW	0x0	<p>CC Credit Control When this bit is set, the accumulated credit parameter in the credit-based shaper algorithm logic is not reset to zero when there is positive credit and no packet to transmit in Channel 1. The credit accumulates even when there is no packet waiting in Channel 1 and another channel is transmitting. When this bit is reset, the accumulated credit parameter in the credit-based shaper algorithm logic is set to zero when there is positive credit and no packet to transmit in Channel 1. When there is no packet waiting in Channel 1 and other channel is transmitting, no credit is accumulated. Values: 0x0 (DISABLE): Credit Control is disabled 0x1 (ENABLE): Credit Control is enabled</p>
2	RW	0x0	<p>AVALG AV Algorithm When Queue 1 is programmed for AV, this field configures the scheduling algorithm for this queue: This bit when set, indicates credit based shaper algorithm (CBS) is selected for Queue 1 traffic. When reset, strict priority is selected. Values: 0x0 (DISABLE): CBS Algorithm is disabled 0x1 (ENABLE): CBS Algorithm is enabled</p>

**GMAC MTL TxQ1 ETS Status**

Address: Operational Base + offset (0x0d54)

Bit	Attr	Reset Value	Description
31:1	RO	0x00000000	reserved
0	RO	0x0	<p>ABS Average Bits per Slot This field contains the average transmitted bits per slot. When the DCB operation is enabled for Queue 0, this field is computed over every 10 million bit times slot (4 ms in 2500 Mbps; 10 ms in 1000 Mbps; 100 ms in 100 Mbps). The maximum value is 0x989680.</p>

**GMAC MTL TxQ1 Quantum Weight**

Address: Operational Base + offset (0x0d58)

Bit	Attr	Reset Value	Description
31:21	RO	0x000	reserved
20:0	RW	0x000000	<p>ISCQW idleSlopeCredit, Quantum or Weights</p> <p>1.idleSlopeCredit When AV feature is enabled, this field contains the idleSlopeCredit value required for the credit-based shaper algorithm for Queue 1. This is the rate of change of credit in bits per cycle (40 ns for 100 Mbps; 8 ns for 1000 Mbps; 3.2 ns for 2500 Mbps) when the credit is increasing. The software should program this field with computed credit in bits per cycle scaled by 1,024. The maximum value is portTransmitRate, that is, 0x2000 in 1000/2500 Mbps mode and 0x1000 in 100 Mbps mode. Bits[20:14] must be written to zero.</p> <p>2.Quantum When the DCB operation is enabled with DWRR algorithm for Queue 1 traffic, this field contains the quantum value in bytes to be added to credit during every queue scanning cycle. The maximum value is 0x1312D0 bytes.</p> <p>3.Weights When DCB operation is enabled with WFQ algorithm for Queue 1 traffic, this field contains the weight for this queue. The maximum value is 0x3FFF where weight of 0 indicates 100% bandwidth. Bits[20:14] must be written to zero. When DCB operation or generic queuing operation is enabled with WRR algorithm for Queue 1 traffic, this field contains the weight for this queue. The maximum value is 0x64. Bits [20:7] must be written to zero.</p> <p>Note 1: In multiple Queue configuration this field in respective per queue register must be programmed to some non-zero value when multiple queues are enabled or single queue other than Q0 is enabled. This field need not be programmed when only Q0 is enabled. In general, when WRR algorithm is selected a non-zero value must be programmed on both Receive and Transmit. In Receive, the register is MTL_Operation_Mode register.</p> <p>Note 2: For WFQ algorithm, higher the programmed weights lesser the bandwidth allocated for that Transmit Queue. The finish time is not a function of particular packet alone but it is as per the formula: (previous_finish_time of particular Transmit Queue + (weights*packet_size))</p> <p>Note 3: The weights programmed do not correspond to the number of packets but the fraction of bandwidth or time allocated for particular queue w.r.t. total BW or time.</p>

**GMAC MTL TxQ1 SendSlopeCredit**

Address: Operational Base + offset (0x0d5c)

Bit	Attr	Reset Value	Description
31:14	RO	0x00000	reserved

Bit	Attr	Reset Value	Description
13:0	RW	0x0000	<p>SSC sendSlopeCredit Value</p> <p>When AV operation is enabled, this field contains the sendSlopeCredit value required for credit-based shaper algorithm for Queue 1. This is the rate of change of credit in bits per cycle (40 ns, 8 ns and 3.2 ns for 100 Mbps, 1000 Mbps and 2500 Mbps respectively) when the credit is decreasing.</p> <p>The software should program this field with computed credit in bits per cycle scaled by 1,024. The maximum value is portTransmitRate, that is, 0x2000 in 1000/2500 Mbps mode and 0x1000 in 100 Mbps mode. This field should be programmed with absolute sendSlopeCredit value. The credit-based shaper logic subtracts it from the accumulated credit when Channel 1 is selected for transmission.</p>

**GMAC MTL TxQ1 HiCredit**

Address: Operational Base + offset (0x0d60)

Bit	Attr	Reset Value	Description
31:1	RO	0x00000000	reserved
0	RW	0x0	<p>HC hiCredit Value</p> <p>When the AV feature is enabled, this field contains the hiCredit value required for the credit-based shaper algorithm. This is the maximum value that can be accumulated in the credit parameter. This is specified in bits scaled by 1,024.</p> <p>The maximum value is maxInterferenceSize, that is, best-effort maximum packet size (16,384 bytes or 131,072 bits). The value to be specified is <math>131,072 * 1,024 = 134,217,728</math> or 0x0800_0000.</p>

**GMAC MTL TxQ1 LoCredit**

Address: Operational Base + offset (0x0d64)

Bit	Attr	Reset Value	Description
31:29	RO	0x0	reserved
28:0	RW	0x00000000	<p>LC loCredit Value</p> <p>When AV operation is enabled, this field contains the loCredit value required for the credit-based shaper algorithm. This is the minimum value that can be accumulated in the credit parameter. This is specified in bits scaled by 1,024. The maximum value to be programmed is corresponds to twice the maxFrameSize transmitted from this queue. If the maxFrameSize is 8192 bytes, then <math>(8192*2) * 8 * 1024 = 134,217,728</math> or 0x0800_0000. Because it is a negative value, the programmed value is 2's complement of the value, that is, 0x1800_0000.</p>

**GMAC MTL Q1 Interrupt Ctrl Status**

Address: Operational Base + offset (0x0d6c)

Bit	Attr	Reset Value	Description
31:25	RO	0x00	reserved

Bit	Attr	Reset Value	Description
24	RW	0x0	<p><b>RXOIE</b> Receive Queue Overflow Interrupt Enable When this bit is set, the Receive Queue Overflow interrupt is enabled. When this bit is reset, the Receive Queue Overflow interrupt is disabled. Values: 1'b0: Receive Queue Overflow Interrupt is disabled 1'b1: Receive Queue Overflow Interrupt is enabled</p>
23:17	RO	0x00	reserved
16	RW	0x0	<p><b>RXOVFIS</b> Receive Queue Overflow Interrupt Status This bit indicates that the Receive Queue had an overflow while receiving the packet. If a partial packet is transferred to the application, the overflow status is set in RDES3[21]. This bit is cleared when the application writes 1 to this bit. Access restriction applies. Self-set to 1 on internal event. Setting 1 clears. Setting 0 has no effect. Values: 1'b0: Receive Queue Overflow Interrupt Status not detected 1'b1: Receive Queue Overflow Interrupt Status detected</p>
15:10	RO	0x00	reserved
9	RW	0x0	<p><b>ABPSIE</b> Average Bits Per Slot Interrupt Enable When this bit is set, the MAC asserts the sbd_intr_o or mci_intr_o interrupt when the average bits per slot status is updated. When this bit is cleared, the interrupt is not asserted for such an event. Values: 0x0 (DISABLE): Average Bits Per Slot Interrupt is disabled 0x1 (ENABLE): Average Bits Per Slot Interrupt is enabled</p>
8	RW	0x0	<p><b>TXUIE</b> Transmit Queue Underflow Interrupt Enable When this bit is set, the Transmit Queue Underflow interrupt is enabled. When this bit is reset, the Transmit Queue Underflow interrupt is disabled. Values: 1'b0: Transmit Queue Underflow Interrupt Status is disabled 1'b1: Transmit Queue Underflow Interrupt Status is enabled</p>
7:2	RO	0x00	reserved
1	RW	0x0	<p><b>ABPSIS</b> Average Bits Per Slot Interrupt Status When set, this bit indicates that the MAC has updated the ABS value. This bit is cleared when the application writes 1 to this bit. Access restriction applies. Self-set to 1 on internal event. Setting 1 clears. Setting 0 has no effect. Values: 0x0 (INACTIVE): Average Bits Per Slot Interrupt Status not detected 0x1 (ACTIVE): Average Bits Per Slot Interrupt Status detected</p>

Bit	Attr	Reset Value	Description
0	RW	0x0	<p><b>TXUNFIS</b>                      Transmit Queue Underflow Interrupt Status                      This bit indicates that the Transmit Queue had an underflow while transmitting the packet. Transmission is suspended and an Underflow Error TDES3[2] is set. This bit is cleared when the application writes 1 to this bit.                      Access restriction applies. Self-set to 1 on internal event. Setting 1 clears. Setting 0 has no effect.                      Values:                      1'b0: Transmit Queue Underflow Interrupt Status not detected                      1'b1: Transmit Queue Underflow Interrupt Status detected</p>

**GMAC MTL RxQ1 Operation Mode**

Address: Operational Base + offset (0x0d70)

Bit	Attr	Reset Value	Description
31:27	RO	0x00	reserved
26:20	RW	0x00	<p><b>RQS</b>                      Receive Queue Size                      This field indicates the size of the allocated Receive queues in blocks of 256 bytes. The RQS field is read-write only if the number of Rx Queues more than one, the reset value is 0x0 and indicates size of 256 bytes.                      When the number of Rx Queues is one, the field is read-only and the configured RX FIFO size in blocks of 256 bytes is reflected in the reset value.                      The width of this field depends on the Rx memory size selected in your configuration. For example, if the memory size is 2048, the width of this field is 3 bits: <math>\text{LOG}_2(2048/256) = \text{LOG}_2(8) = 3</math> bits</p>
19:14	RW	0x00	<p><b>RFD</b>                      Threshold for Deactivating Flow Control (in half-duplex and full-duplex modes)                      These bits control the threshold (fill-level of Rx queue) at which the flow control is de-asserted after activation:                      0: Full minus 1 KB, that is, FULL 1 KB                      1: Full minus 1.5 KB, that is, FULL 1.5 KB                      2: Full minus 2 KB, that is, FULL 2 KB                      3: Full minus 2.5 KB, that is, FULL 2.5 KB                      ...                      62: Full minus 32 KB, that is, FULL 32 KB                      63: Full minus 32.5 KB, that is, FULL 32.5 KB                      The de-assertion is effective only after flow control is asserted.                      Note: The value must be programmed in such a way to make sure that the threshold is a positive number. When the EHFC is set high, these values are applicable only when the Rx queue size determined by the RQS field of this register, is equal to or greater than 4 KB. For a given queue size, the values ranges between 0 and the encoding for FULL minus (QSIZE - 0.5 KB) and all other values are illegal. Here the term FULL and QSIZE refers to the queue size determined by the RQS field of this register. The width of this field depends on RX FIFO size selected during the configuration. Remaining bits are reserved and read only.</p>



Bit	Attr	Reset Value	Description
13:8	RW	0x00	<p>RFA Threshold for Activating Flow Control (in half-duplex and full-duplex) These bits control the threshold (fill-level of Rx queue) at which the flow control is activated:For more information on encoding for this field, see RFD.</p>
7	RW	0x0	<p>EHFC Enable Hardware Flow Control When this bit is set, the flow control signal operation, based on the fill-level of Rx queue, is enabled. When reset, the flow control operation is disabled. Values: 1'b0: Hardware Flow Control is disabled 1'b1: Hardware Flow Control is enabled</p>
6	RW	0x0	<p>DIS_TCP_EF Disable Dropping of TCP/IP Checksum Error Packets When this bit is set, the MAC does not drop the packets which only have the errors detected by the Receive Checksum Offload engine. Such packets have errors only in the encapsulated payload. There are no errors (including FCS error) in the Ethernet packet received by the MAC. When this bit is reset, all error packets are dropped if the FEP bit is reset. Values: 1'b0: Dropping of TCP/IP Checksum Error Packets is enabled 1'b1: Dropping of TCP/IP Checksum Error Packets is disabled</p>
5	RW	0x0	<p>RSF Receive Queue Store and Forward When this bit is set, the GMAC reads a packet from the Rx queue only after the complete packet has been written to it, ignoring the RTC field of this register. When this bit is reset, the Rx queue operates in the Threshold (cut-through) mode, subject to the threshold specified by the RTC field of this register. Values: 1'b0: Receive Queue Store and Forward is disabled 1'b1: Receive Queue Store and Forward is enabled</p>
4	RW	0x0	<p>FEP Forward Error Packets When this bit is reset, the Rx queue drops packets with error status (CRC error, GMII_ER, watchdog timeout, or overflow). However, if the start byte (write) pointer of a packet is already transferred to the read controller side (in Threshold mode), the packet is not dropped. When this bit is set, all packets except the runt error packets are forwarded to the application or DMA. If the RSF bit is set and the Rx queue overflows when a partial packet is written, the packet is dropped irrespective of the setting of this bit. However, if the RSF bit is reset and the Rx queue overflows when a partial packet is written, a partial packet may be forwarded to the application or DMA. Values: 1'b0: Forward Error Packets is disabled 1'b1: Forward Error Packets is enabled</p>

Bit	Attr	Reset Value	Description
3	RW	0x0	<p><b>FUP</b>                      Forward Undersized Good Packets                      When this bit is set, the Rx queue forwards the undersized good packets (packets with no error and length less than 64 bytes), including pad-bytes and CRC. When this bit is reset, the Rx queue drops all packets of less than 64 bytes, unless a packet is already transferred because of the lower value of Rx Threshold, for example, RTC = 01.                      Values:                      1'b0: Forward Undersized Good Packets is disabled                      1'b1: Forward Undersized Good Packets is enabled</p>
2	RO	0x0	reserved
1:0	RW	0x0	<p><b>RTC</b>                      Receive Queue Threshold Control                      These bits control the threshold level of the MTL Rx queue (in bytes): The received packet is transferred to the application or DMA when the packet size within the MTL Rx queue is larger than the threshold. In addition, full packets with length less than the threshold are automatically transferred. This field is valid only when the RSF bit is zero. This field is ignored when the RSF bit is set to 1.</p>

**GMAC MTL RxQ1 Miss Pkt Ovf Cnt**

Address: Operational Base + offset (0x0d74)

Bit	Attr	Reset Value	Description
31:28	RO	0x0	reserved
27	RO	0x0	<p><b>MISCNTOVF</b>                      Missed Packet Counter Overflow Bit                      When set, this bit indicates that the Rx Queue Missed Packet Counter crossed the maximum limit.                      Access restriction applies. Clears on read. Self-set to 1 on internal event.                      Values:                      1'b0: Missed Packet Counter overflow not detected                      1'b1: Missed Packet Counter overflow detected</p>
26:16	RO	0x000	<p><b>MISPKTCNT</b>                      Missed Packet Counter                      This field indicates the number of packets missed by the GMAC because the application asserted ari_pkt_flush_i[] for this queue. This counter is incremented each time the application issues ari_pkt_flush_i[] for this queue. This counter is reset when this register is read with mci_be_i[0] at 1b1. In EQOS-DMA, EQOS-AXI, and EQOS-AHB configurations, This counter is incremented by 1 when the DMA discards the packet because of buffer unavailability.                      Access restriction applies. Clears on read. Self-set to 1 on internal event.</p>
15:12	RO	0x0	reserved

Bit	Attr	Reset Value	Description
11	RO	0x0	<b>OVFCNTOVF</b> Overflow Counter Overflow Bit When set, this bit indicates that the Rx Queue Overflow Packet Counter field crossed the maximum limit. Access restriction applies. Clears on read. Self-set to 1 on internal event. Values: 1'b0: Overflow Counter overflow not detected 1'b1: Overflow Counter overflow detected
10:0	RO	0x000	<b>OVFPKTCNT</b> Overflow Packet Counter This field indicates the number of packets discarded by the GMAC because of Receive queue overflow. This counter is incremented each time the GMAC discards an incoming packet because of overflow. This counter is reset when this register is read with <code>mci_be_i[0]</code> at 1'b1. Access restriction applies. Clears on read. Self-set to 1 on internal event.

**GMAC MTL RxQ1 Debug**

Address: Operational Base + offset (0x0d78)

Bit	Attr	Reset Value	Description
31:20	RO	0x000	reserved
19:16	RO	0x0	<b>PRXQ</b> Number of Packets in Receive Queue This field indicates the current number of packets in the Rx Queue. The theoretical maximum value for this field is $256KB/16B = 16K$ Packets, that is, <code>Max_Queue_Size/Min_Packet_Size</code> .
15:6	RO	0x000	reserved
5:4	RO	0x0	<b>RXQSTS</b> MTL Rx Queue Fill-Level Status This field gives the status of the fill-level of the Rx Queue: Values: 2'b00: Rx Queue empty 2'b01: Rx Queue fill-level below flow-control deactivate threshold 2'b10: Rx Queue fill-level above flow-control activate threshold 2'b11: Rx Queue full
3	RO	0x0	reserved
2:1	RO	0x0	<b>RRCSTS</b> MTL Rx Queue Read Controller State This field gives the state of the Rx queue Read controller: Values: 2'b00: Idle state 2'b01: Reading packet data 2'b10: Reading packet status (or timestamp) 2'b11: Flushing the packet data and status
0	RO	0x0	<b>RWCSTS</b> MTL Rx Queue Write Controller Active Status When high, this bit indicates that the MTL Rx queue Write controller is active, and it is transferring a received packet to the Rx Queue. Values: 1'b0: MTL Rx Queue Write Controller Active Status not detected 1'b1: MTL Rx Queue Write Controller Active Status detected

**GMAC MTL RxQ1 Control**

Address: Operational Base + offset (0x0d7c)

Bit	Attr	Reset Value	Description
31:4	RO	0x0000000	reserved
3	RW	0x0	<p><b>RXQ_FRM_ARBIT</b> Receive Queue Packet Arbitration</p> <p>When this bit is set, the GMAC drives the packet data to the ARI interface such that the entire packet data of currently-selected queue is transmitted before switching to other queue. When this bit is reset, the GMAC drives the packet data to the ARI interface such that the following amount of data of currently-selected queue is transmitted before switching to other queue:</p> <ol style="list-style-type: none"> <li>1.PBL amount of data (indicated by ari_qN_pbl_i[])</li> <li>2.Complete data of a packet</li> </ol> <p>The status and the timestamp are not a part of the PBL data. Therefore, the GMAC drives the complete status (including timestamp status) during first PBL request for the packet (in store-and-forward mode) or the last PBL request for the packet (in Threshold mode).</p> <p>Values: 0x0 (DISABLE): Receive Queue Packet Arbitration is disabled 0x1 (ENABLE): Receive Queue Packet Arbitration is enabled</p>
2:0	RW	0x0	<p><b>RXQ_WEGT</b> Receive Queue Weight</p> <p>This field indicates the weight assigned to the Rx Queue 0. The weight is used as the number of continuous PBL or packets requests (depending on the RXQ_FRM_ARBIT) allocated to the queue in one arbitration cycle.</p>

**GMAC DMA CH1 Control**

Address: Operational Base + offset (0x1180)

Bit	Attr	Reset Value	Description
31:21	RO	0x000	reserved
20:18	RW	0x0	<p><b>DSL</b> Descriptor Skip Length</p> <p>This bit specifies the Word, Dword, or Lword number (depending on the 32-bit, 64-bit, or 128-bit bus) to skip between two unchained descriptors. The address skipping starts from the end of the current descriptor to the start of the next descriptor. When the DSL value is equal to zero, the DMA takes the descriptor table as contiguous.</p>
17	RO	0x0	reserved
16	RW	0x0	<p><b>PBLx8</b> 8xPBL mode</p> <p>When this bit is set, the PBL value programmed in Bits[21:16] in DMA_CH1_Tx_Control and Bits[21:16] in DMA_CH1_Rx_Control is multiplied by eight times. Therefore, the DMA transfers the data in 8, 16, 32, 64, 128, and 256 beats depending on the PBL value.</p> <p>0x0 (DISABLE): 8xPBL mode is disabled 0x1 (ENABLE): 8xPBL mode is enabled</p>
15:14	RO	0x0	reserved

Bit	Attr	Reset Value	Description
13:0	RW	0x0000	<p><b>MSS</b> Maximum Segment Size This field specifies the maximum segment size that should be used while segmenting the packet. This field is valid only if the TSE bit of DMA_CH1_Tx_Control register is set. The value programmed in this field must be more than the configured Datawidth in bytes. It is recommended to use a MSS value of 64 bytes or more.</p>

**GMAC DMA CH1 Tx Control**

Address: Operational Base + offset (0x1184)

Bit	Attr	Reset Value	Description
31:22	RO	0x000	reserved
21:16	RW	0x00	<p><b>TxPBL</b> Transmit Programmable Burst Length These bits indicate the maximum number of beats to be transferred in one DMA block data transfer. The DMA always attempts max burst as specified in PBL each time it starts a burst transfer on the application bus. You can program PBL with any of the following values: 1, 2, 4, 8, 16, or 32. Any other value results in undefined behavior. To transfer more than 32 beats, perform the following steps: 1. Set the 8xPBL mode in DMA_CH0_Control register. 2. Set the TxPBL. Note: The maximum value of TxPBL must be less than or equal to half the Tx Queue size (TQS field of MTL_TxQ[n]_Operation_Mode register) in terms of beats. This is required so that the Tx Queue has space to store at least another Tx PBL worth of data while the MTL Tx Queue Controller is transferring data to MAC. For example, in 64-bit data width configurations the total locations in Tx Queue of size 512 bytes is 64, TxPBL and 8xPBL needs to be programmed to less than or equal to 32.</p>
15	RW	0x0	<p><b>IPBL</b> Ignore PBL Requirement When this bit is set, the DMA does not check for PBL number of locations in the MTL before initiating a transfer. If space is not available, the MTL may use handshaking to slow the DMA. Note: This bit/mode must not be used when multiple Transmit DMA Channels are enabled as it may block other Transmit and Receive DMA Channels from accessing the Read Data Channel of AXI bus until space is available in Transmit Queue for current transfer. 0x0 (DISABLE): Ignore PBL Requirement is disabled 0x1 (ENABLE): Ignore PBL Requirement is enabled</p>

Bit	Attr	Reset Value	Description
14:13	RW	0x0	<p>TSE_MODE TSE Mode 00: TSO/USO (segmentation functionality is enabled). In this mode, the setting of TSE bit enables the TSO/USO segmentation. 01: UFO with Checksum (UDP Fragmentation over IPv4 with Checksum). In this mode, the setting of TSE bit enables the UDP fragmentation functionality with Checksum for all the UDP packets. 10: UFO without Checksum (UDP Fragmentation over IPv4 with Checksum). In this mode, the setting of TSE bit enables the UDP fragmentation functionality without Checksum for all the UDP packets. 11: Reserved</p> <p>0x0 (TSO_USO): TSO/USO 0x1 (UFOWC): UFO with Checksum 0x2 (UFOWOC): UFO without Checksum 0x3 (Reserved): Reserved</p>
12	RW	0x0	<p>TSE TCP Segmentation Enabled When this bit is set, the DMA performs the TCP segmentation or UDP Segmentation/Fragmentation for packets in this channel. The TCP segmentation or UDP packet's segmentation/Fragmentation is done only for those packets for which the TSE bit (TDES0[19]) is set in the Tx Normal descriptor. When this bit is set, the TxPBL value must be greater than 4. 0x0 (DISABLE): TCP Segmentation is disabled 0x1 (ENABLE): TCP Segmentation is enabled</p>
11:5	RO	0x00	reserved
4	RW	0x0	<p>OSF Operate on Second Packet When this bit is set, it instructs the DMA to process the second packet of the Transmit data even before the status for the first packet is obtained. 0x0 (DISABLE): Operate on Second Packet disabled 0x1 (ENABLE): Operate on Second Packet enabled</p>
3:1	RO	0x0	reserved

Bit	Attr	Reset Value	Description
0	RW	0x0	<p>ST Start or Stop Transmission Command When this bit is set, transmission is placed in the Running state. The DMA checks the Transmit list at the current position for a packet to be transmitted. The DMA tries to acquire descriptor from either of the following positions:</p> <ol style="list-style-type: none"> <li>1.The current position in the list This is the base address of the Transmit list set by the DMA_CH1_TxDesc_List_Address register.</li> <li>2.The position at which the transmission was previously stopped</li> </ol> <p>If the DMA does not own the current descriptor, the transmission enters the Suspended state and the TBU bit of the DMA_CH1_Status register is set. The Start Transmission command is effective only when the transmission is stopped. If the command is issued before setting the DMA_CH1_TxDesc_List_Address register, the DMA behavior is unpredictable.</p> <p>When this bit is reset, the transmission process is placed in the Stopped state after completing the transmission of the current packet. The Next Descriptor position in the Transmit list is saved, and it becomes the current position when the transmission is restarted. To change the list address, you need to program DMA_CH1_TxDesc_List_Address register with a new value when this bit is reset. The new value is considered when this bit is set again. The stop transmission command is effective only when the transmission of the current packet is complete or the transmission is in the Suspended state.</p> <p>0x0 (STOP): Stop Transmission Command 0x1 (START): Start Transmission Command</p>

**GMAC DMA CH1 Rx Control**

Address: Operational Base + offset (0x1188)

Bit	Attr	Reset Value	Description
31	RW	0x0	<p>RPF Rx Packet Flush When this bit is set to 1, then GMAC automatically flushes the packet from the Rx Queues destined to this DMA Rx Channel, when it is stopped. When this bit remains set and the DMA is re-started by the software driver, the packets residing in the Rx Queues that were received when this RxDMA was stopped, get flushed out. The packets that are received by the MAC after the RxDMA is re-started are routed to the RxDMA. The flushing happens on the Read side of the Rx Queue. When this bit is set to 0, the GMAC not flush the packet in the Rx Queue destined to this RxDMA Channel when it is STOP state. This may in turn cause head-of-line blocking in the corresponding RxQueue.</p> <p>0x0 (DISABLE): Rx Packet Flush is disabled 0x1 (ENABLE): Rx Packet Flush is enabled</p>
30:22	RO	0x000	reserved

Bit	Attr	Reset Value	Description
21:16	RW	0x00	<p><b>RxPBL</b>                      Receive Programmable Burst Length                      These bits indicate the maximum number of beats to be transferred in one DMA block data transfer. The DMA always attempts max burst as specified in PBL each time it starts a burst transfer on the application bus. You can program PBL with any of the following values: 1, 2, 4, 8, 16, or 32. Any other value results in undefined behavior.                      To transfer more than 32 beats, perform the following steps:                      1. Set the 8xPBL mode in the DMA_CH0_Control register.                      2. Set the RxPBL.                      Note: The maximum value of RxPBL must be less than or equal to half the Rx Queue size (RQS field of MTL_RxQ[n]_Operation_Mode register) in terms of beats.                      This is required so that the Rx Queue has space to store at least another Rx PBL worth of data while the Rx DMA is transferring a block of data. For example, in 64-bit data width configurations the total locations in Rx Queue of size 512 bytes is 64, so RxPBL and 8xPBL needs to be programmed to less than or equal to 32.</p>
15	RO	0x0	reserved
14:4	RW	0x000	<p><b>RBSZ_13_y</b>                      Receive Buffer size High                      RBSZ[13:0] is split into two fields higher RBSZ_13_y and lower RBSZ_3_0. The RBSZ[13:0] field indicates the size of the Rx buffers specified in bytes. The maximum buffer size is limited to 16K bytes. The buffer size is applicable to payload buffers when split headers are enabled.                      Note: The buffer size must be a multiple of 4, 8, or 16 depending on the data bus widths (32-bit, 64-bit, or 128-bit respectively). This is required even if the value of buffer address pointer is not aligned to data bus width. Hence the lower RBSZ_3_0 bits are read-only and the value is considered as all-zero. Thus the RBSZ_13_y indicates the buffer size in terms of locations (with the width same as bus-width).</p>
3:1	RO	0x0	<p><b>RBSZ_3_0</b>                      Receive Buffer size Low                      RBSZ[13:0] is split into two fields RBSZ_13_y and RBSZ_3_0. The RBSZ_3_0 is the lower field whose width is based on data bus width of the configuration.                      This field is of width 2, 3, or 4 bits for 32-bit, 64-bit, or 128-bit data bus width respectively. This field is read-only (RO)</p>



Bit	Attr	Reset Value	Description
0	RW	0x0	<p>SR Start or Stop Receive</p> <p>When this bit is set, the DMA tries to acquire the descriptor from the Receive list and processes the incoming packets. The DMA tries to acquire descriptor from either of the following positions:</p> <ol style="list-style-type: none"> <li>1. The current position in the list This is the address set by the DMA_CH1_RxDesc_List_Address register.</li> <li>2. The position at which the Rx process was previously stopped</li> </ol> <p>If the DMA does not own the current descriptor, the reception is suspended and the RBU bit of the DMA_CH1_Status register is set. The Start Receive command is effective only when the reception is stopped. If the command is issued before setting the DMA_CH1_RxDesc_List_Address register, the DMA behavior is unpredictable.</p> <p>When this bit is reset, the Rx DMA operation is stopped after the transfer of the current packet. The next descriptor position in the Receive list is saved, and it becomes the current position after the Rx process is restarted. The Stop Receive command is effective only when the Rx process is in the Running (waiting for Rx packet) or Suspended state.</p> <p>0x0 (STOP): Stop Receive 0x1 (START): Start Receive</p>

**GMAC DMA CH1 TxDesc List Address**

Address: Operational Base + offset (0x1194)

Bit	Attr	Reset Value	Description
31:3	RW	0x00000000	<p>TDESLA Start of Transmit List</p> <p>This field contains the base address of the first descriptor in the Transmit descriptor list. The DMA ignores the LSB bits (1:0, 2:0, or 3:0) for 32-bit, 64-bit, or 128-bit bus width and internally takes these bits as all-zero. Therefore, these LSB bits are read-only (RO).</p> <p>The width of this field depends on the configuration: 31:2 for 32-bit configuration 31:3 for 64-bit configuration 31:4 for 128-bit configuration</p>

**GMAC DMA CH1 RxDesc List Address**

Address: Operational Base + offset (0x119c)

Bit	Attr	Reset Value	Description
31:3	RW	0x00000000	<p>RDESLA Start of Receive List</p> <p>This field contains the base address of the first descriptor in the Rx Descriptor list. The DMA ignores the LSB bits (1:0, 2:0, or 3:0) for 32-bit, 64-bit, or 128-bit bus width and internally takes these bits as all-zero. Therefore, these LSB bits are read-only (RO).</p> <p>The width of this field depends on the configuration: 31:2 for 32-bit configuration 31:3 for 64-bit configuration 31:4 for 128-bit configuration</p>

**GMAC DMA CH1 TxDesc Tail Pointer**

Address: Operational Base + offset (0x11a0)

Bit	Attr	Reset Value	Description
31:3	RW	0x00000000	<p><b>TDTP</b>                      Transmit Descriptor Tail Pointer                      This field contains the tail pointer for the Tx descriptor ring. The software writes the tail pointer to add more descriptors to the Tx channel. The hardware tries to transmit all packets referenced by the descriptors between the head and the tail pointer registers. The width of this field depends on the configuration:                      31:2 for 32-bit configuration                      31:3 for 64-bit configuration                      31:4 for 128-bit configuration</p>

**GMAC DMA CH1 RxDesc Tail Pointer**

Address: Operational Base + offset (0x11a8)

Bit	Attr	Reset Value	Description
31:3	RW	0x00000000	<p><b>RDRT</b>                      Receive Descriptor Tail Pointer                      This field contains the tail pointer for the Rx descriptor ring. The software writes the tail pointer to add more descriptors to the Rx channel. The hardware tries to write all received packets to the descriptors referenced between the head and the tail pointer registers. The width of this field depends on the configuration:                      31:2 for 32-bit configuration                      31:3 for 64-bit configuration                      31:4 for 128-bit configuration</p>

**GMAC DMA CH1 TxDesc Ring Length**

Address: Operational Base + offset (0x11ac)

Bit	Attr	Reset Value	Description
31:10	RO	0x000000	reserved
9:0	RW	0x000	<p><b>TDRL</b>                      Transmit Descriptor Ring Length                      This field sets the maximum number of Tx descriptors in the circular descriptor ring. The maximum number of descriptors is limited to 1K descriptors. we recommends a minimum ring descriptor length of 4. For example, You can program any value up to 0x3FF in this field. This field is 10 bits wide, if you program 0x3FF, you can have 1024 descriptors. If you want to have 10 descriptors, program it to a value of 0x9.</p>

**GMAC DMA CH1 RxDesc Ring Length**

Address: Operational Base + offset (0x11b0)

Bit	Attr	Reset Value	Description
31:10	RO	0x000000	reserved
9:0	RW	0x000	<p><b>RDRL</b>                      Receive Descriptor Ring Length                      This register sets the maximum number of Rx descriptors in the circular descriptor ring. The maximum number of descriptors is limited to 1K descriptors. For example, You can program any value up to 0x3FF in this field. This field is 10 bits wide, if you program 0x3FF, you can have 1024 descriptors. If you want to have 10 descriptors, program it to a value of 0x9.</p>

**GMAC DMA CH1 Interrupt Enable**

Address: Operational Base + offset (0x11b4)

Bit	Attr	Reset Value	Description
31:16	RO	0x0000	reserved
15	RW	0x0	<p><b>NIE</b> Normal Interrupt Summary Enable When this bit is set, the normal interrupt summary is enabled. This bit enables the following interrupts in the DMA_CH1_Status register: Bit 0: Transmit Interrupt Bit 2: Transmit Buffer Unavailable Bit 6: Receive Interrupt Bit 11: Early Receive Interrupt When this bit is reset, the normal interrupt summary is disabled. 0x0 (DISABLE): Normal Interrupt Summary is disabled 0x1 (ENABLE): Normal Interrupt Summary is enabled</p>
14	RW	0x0	<p><b>AIE</b> Abnormal Interrupt Summary Enable When this bit is set, the abnormal interrupt summary is enabled. This bit enables the following interrupts in the DMA_CH1_Status register: Bit 1: Transmit Process Stopped Bit 7: Rx Buffer Unavailable Bit 8: Receive Process Stopped Bit 9: Receive Watchdog Timeout Bit 10: Early Transmit Interrupt Bit 12: Fatal Bus Error Bit 13: Context Descriptor Error When this bit is reset, the abnormal interrupt summary is disabled. 0x0 (DISABLE): Abnormal Interrupt Summary is disabled 0x1 (ENABLE): Abnormal Interrupt Summary is enabled</p>
13	RW	0x0	<p><b>CDEE</b> Context Descriptor Error Enable When this bit is set along with the AIE bit, the Descriptor error interrupt is enabled. When this bit is reset, the Descriptor error interrupt is disabled. 0x0 (DISABLE): Context Descriptor Error is disabled 0x1 (ENABLE): Context Descriptor Error is enabled</p>
12	RW	0x0	<p><b>FBEE</b> Fatal Bus Error Enable When this bit is set along with the AIE bit, the Fatal Bus error interrupt is enabled. When this bit is reset, the Fatal Bus Error error interrupt is disabled. 0x0 (DISABLE): Fatal Bus Error is disabled 0x1 (ENABLE): Fatal Bus Error is enabled</p>
11	RW	0x0	<p><b>ERIE</b> Early Receive Interrupt Enable When this bit is set along with the NIE bit, the Early Receive interrupt is enabled. When this bit is reset, the Early Receive interrupt is disabled. 0x0 (DISABLE): Early Receive Interrupt is disabled 0x1 (ENABLE): Early Receive Interrupt is enabled</p>

Bit	Attr	Reset Value	Description
10	RW	0x0	<p><b>ETIE</b> Early Transmit Interrupt Enable</p> <p>When this bit is set along with the AIE bit, the Early Transmit interrupt is enabled. When this bit is reset, the Early Transmit interrupt is disabled.</p> <p>0x0 (DISABLE): Early Transmit Interrupt is disabled 0x1 (ENABLE): Early Transmit Interrupt is enabled</p>
9	RW	0x0	<p><b>RWTE</b> Receive Watchdog Timeout Enable</p> <p>When this bit is set along with the AIE bit, the Receive Watchdog Timeout interrupt is enabled. When this bit is reset, the Receive Watchdog Timeout interrupt is disabled.</p> <p>0x0 (DISABLE): Receive Watchdog Timeout is disabled 0x1 (ENABLE): Receive Watchdog Timeout is enabled</p>
8	RW	0x0	<p><b>RSE</b> Receive Stopped Enable</p> <p>When this bit is set along with the AIE bit, the Receive Stopped Interrupt is enabled. When this bit is reset, the Receive Stopped interrupt is disabled.</p>
7	RW	0x0	<p><b>RBUE</b> Receive Buffer Unavailable Enable</p> <p>When this bit is set along with the AIE bit, the Receive Buffer Unavailable interrupt is enabled. When this bit is reset, the Receive Buffer Unavailable interrupt is disabled.</p> <p>0x0 (DISABLE): Receive Buffer Unavailable is disabled 0x1 (ENABLE): Receive Buffer Unavailable is enabled</p>
6	RW	0x0	<p><b>RIE</b> Receive Interrupt Enable</p> <p>When this bit is set along with the NIE bit, the Receive Interrupt is enabled. When this bit is reset, the Receive Interrupt is disabled.</p> <p>0x0 (DISABLE): Receive Interrupt is disabled 0x1 (ENABLE): Receive Interrupt is enabled</p>
5:3	RO	0x0	reserved
2	RW	0x0	<p><b>TBUE</b> Transmit Buffer Unavailable Enable</p> <p>When this bit is set along with the NIE bit, the Transmit Buffer Unavailable interrupt is enabled. When this bit is reset, the Transmit Buffer Unavailable interrupt is disabled.</p> <p>0x0 (DISABLE): Transmit Buffer Unavailable is disabled 0x1 (ENABLE): Transmit Buffer Unavailable is enabled</p>
1	RW	0x0	<p><b>TXSE</b> Transmit Stopped Enable</p> <p>When this bit is set along with the AIE bit, the Transmission Stopped interrupt is enabled. When this bit is reset, the Transmission Stopped interrupt is disabled.</p> <p>0x0 (DISABLE): Transmit Stopped is disabled 0x1 (ENABLE): Transmit Stopped is enabled</p>
0	RW	0x0	<p><b>TIE</b> Transmit Interrupt Enable</p> <p>When this bit is set along with the NIE bit, the Transmit Interrupt is enabled. When this bit is reset, the Transmit Interrupt is disabled.</p> <p>0x0 (DISABLE): Transmit Interrupt is disabled 0x1 (ENABLE): Transmit Interrupt is enabled</p>

**GMAC DMA CH1 Rx Interrupt WD Timer**

Address: Operational Base + offset (0x11b8)

Bit	Attr	Reset Value	Description
31:18	RO	0x0000	reserved
17:16	RW	0x0	RWTU Receive Interrupt Watchdog Timer Count Units This fields indicates the number of system clock cycles corresponding to one unit in RWT field. 2'b00: 256 2'b01: 512 2'b10: 1024 2'b11: 2048 For example, when RWT=2 and RWTU=1, the watchdog timer is set for 2*512=1024 system clock cycles.
15:8	RO	0x00	reserved
7:0	RW	0x00	RWT Receive Interrupt Watchdog Timer Count This field indicates the number of system clock cycles, multiplied by factor indicated in RWTU field, for which the watchdog timer is set. The watchdog timer is triggered with the programmed value after the Rx DMA completes the transfer of a packet for which the RI bit is not set in the DMA_CH(#i)_Status register, because of the setting of Interrupt Enable bit in the corresponding descriptor RDES3[30]. When the watchdog timer runs out, the RI bit is set and the timer is stopped. The watchdog timer is reset when the RI bit is set high because of automatic setting of RI as per the Interrupt Enable bit RDES3[30] of any received packet.

**GMAC DMA CH1 Slot Func Ctrl Status**

Address: Operational Base + offset (0x11bc)

Bit	Attr	Reset Value	Description
31:20	RO	0x000	reserved
19:16	RO	0x0	RSN Reference Slot Number This field gives the current value of the reference slot number in the DMA. It is used for slot comparison.
15:4	RW	0x07c	SIV Slot Interval Value This field controls the period of the slot interval in which the TxDMA fetches the scheduled packets. A value of 0 specifies the slot interval of 1 us while the maximum value 4095 specifies the slot interval of 4096us. The default/reset value is 0x07C which corresponds to slot interval of 125us.
3:2	RO	0x0	reserved

Bit	Attr	Reset Value	Description
1	RW	0x0	<p>ASC Advance Slot Check When set, this bit enables the DMA to fetch the data from the buffer when the slot number (SLOTNUM) programmed in the Tx descriptor is</p> <ol style="list-style-type: none"> <li>1.equal to the reference slot number given in the RSN field</li> <li>2.ahead of the reference slot number by up to two slots</li> </ol> <p>This bit is applicable only when the ESC bit is set. Values: 0x0 (DISABLE): Advance Slot Check is disabled 0x1 (ENABLE): Advance Slot Check is</p>
0	RW	0x0	<p>ESC Enable Slot Comparison When set, this bit enables the checking of the slot numbers programmed in the Tx descriptor with the current reference given in the RSN field. The DMA fetches the data from the corresponding buffer only when the slot number is</p> <ol style="list-style-type: none"> <li>1.equal to the reference slot number</li> <li>2.ahead of the reference slot number by one slot</li> </ol> <p>When reset, this bit disables the checking of the slot numbers. The DMA fetches the data immediately after the descriptor is processed. Note: The UFO (UDP Fragmentation over IPv4)/TSO/USO should not be enabled along with TBS/AVB Slot number check. The UFO/TSO/USO involves multiple packets/segments/fragments transmission for single packet received from application and the slot number check are applicable for fetching of only first segment/fragment. As a result it might be difficult for software to specify slot number for subsequent packets. Values: 0x0 (DISABLE): Slot Comparison is disabled 0x1 (ENABLE): Slot Comparison is enabled</p>

**GMAC DMA CH1 Current App TxDesc**

Address: Operational Base + offset (0x11c4)

Bit	Attr	Reset Value	Description
31:0	RO	0x00000000	<p>CURTDESAPTR Application Transmit Descriptor Address Pointer The DMA updates this pointer during Tx operation. This pointer is cleared on reset.</p>

**GMAC DMA CH1 Current App RxDesc**

Address: Operational Base + offset (0x11cc)

Bit	Attr	Reset Value	Description
31:0	RO	0x00000000	<p>CURRDESAPTR Application Receive Descriptor Address Pointer The DMA updates this pointer during Rx operation. This pointer is cleared on reset.</p>

**GMAC DMA CH1 Current App TxBuffer**

Address: Operational Base + offset (0x11d4)

Bit	Attr	Reset Value	Description
31:0	RO	0x00000000	CURTBUFAPTR Application Transmit Buffer Address Pointer The DMA updates this pointer during Tx operation. This pointer is cleared on reset.

**GMAC DMA CH1 Current App RxBuffer**

Address: Operational Base + offset (0x11dc)

Bit	Attr	Reset Value	Description
31:0	RO	0x00000000	CURRBUFAPTR Application Receive Buffer Address Pointer The DMA updates this pointer during Rx operation. This pointer is cleared on reset.

**GMAC DMA CH1 Status**

Address: Operational Base + offset (0x11e0)

Bit	Attr	Reset Value	Description
31:22	RO	0x000	reserved
21:19	RO	0x0	REB Rx DMA Error Bits This field indicates the type of error that caused a Bus Error. For example, error response on the AHB or AXI interface. 1.Bit 21 1'b1: Error during data transfer by Rx DMA 1'b0: No Error during data transfer by Rx DMA 2.Bit 20 1'b1: Error during descriptor access 1'b0: Error during data buffer access 3.Bit 19 1'b1: Error during read transfer 1'b0: Error during write transfer This field is valid only when the FBE bit is set. This field does not generate an interrupt.
18:16	RO	0x0	TEB Tx DMA Error Bits This field indicates the type of error that caused a Bus Error. For example, error response on the AHB or AXI interface. 1.Bit 18 1'b1: Error during data transfer by Tx DMA 1'b0: No Error during data transfer by Tx DMA 2.Bit 17 1'b1: Error during descriptor access 1'b0: Error during data buffer access 3.Bit 16 1'b1: Error during read transfer 1'b0: Error during write transfer This field is valid only when the FBE bit is set. This field does not generate an interrupt.

Bit	Attr	Reset Value	Description
15	RW	0x0	<p><b>NIS</b> Normal Interrupt Summary Normal Interrupt Summary bit value is the logical OR of the following bits when the corresponding interrupt bits are enabled in the DMA_CH1_Interrupt_Enable register: Bit 0: Transmit Interrupt Bit 2: Transmit Buffer Unavailable Bit 6: Receive Interrupt Bit 11: Early Receive Interrupt Only unmasked bits (interrupts for which interrupt enable is set in DMA_CH0_Interrupt_Enable register) affect the Normal Interrupt Summary bit. This is a sticky bit. You must clear this bit (by writing 1 to this bit) each time a corresponding bit which causes NIS to be set is cleared. Access restriction applies. Self-set to 1 on internal event. Setting 1 clears. Setting 0 has no effect.</p> <p>0x0 (INACTIVE): Normal Interrupt Summary status not detected 0x1 (ACTIVE): Normal Interrupt Summary status detected</p>
14	RW	0x0	<p><b>AIS</b> Abnormal Interrupt Summary Abnormal Interrupt Summary bit value is the logical OR of the following when the corresponding interrupt bits are enabled in the DMA_CH1_Interrupt_Enable register: Bit 1: Transmit Process Stopped Bit 7: Receive Buffer Unavailable Bit 8: Receive Process Stopped Bit 10: Early Transmit Interrupt Bit 12: Fatal Bus Error Bit 13: Context Descriptor Error Only unmasked bits affect the Abnormal Interrupt Summary bit. This is a sticky bit. You must clear this bit (by writing 1 to this bit) each time a corresponding bit, which causes AIS to be set, is cleared. Access restriction applies. Self-set to 1 on internal event. Setting 1 clears. Setting 0 has no effect.</p> <p>0x0 (INACTIVE): Abnormal Interrupt Summary status not detected 0x1 (ACTIVE): Abnormal Interrupt Summary status</p>
13	RW	0x0	<p><b>CDE</b> Context Descriptor Error This bit indicates that the DMA Tx/Rx engine received a descriptor error, which indicates invalid context in the middle of packet flow ( intermediate descriptor) or all one's descriptor in Tx case and on Rx side it indicates DMA has read a descriptor with either of the buffer address as ones which is considered to be invalid. Access restriction applies. Self-set to 1 on internal event. Setting 1 clears. Setting 0 has no effect.</p> <p>0x0 (INACTIVE): Context Descriptor Error status not detected 0x1 (ACTIVE): Context Descriptor Error status detected</p>



Bit	Attr	Reset Value	Description
12	RW	0x0	<p>FBE Fatal Bus Error This bit indicates that a bus error occurred (as described in the EB field). When this bit is set, the corresponding DMA channel engine disables all bus accesses. Access restriction applies. Self-set to 1 on internal event. Setting 1 clears. Setting 0 has no effect.</p> <p>0x0 (INACTIVE): Fatal Bus Error status not detected 0x1 (ACTIVE): Fatal Bus Error status detected</p>
11	RW	0x0	<p>ERI Early Receive Interrupt This bit when set indicates that the RxDMA has completed the transfer of packet data to the memory. In configs supporting ERIC, When ERIC=0, this bit is set only after the Rx DMA has filled up a complete receive buffer with packet data. When ERIC=1, this bit is set after every burst transfer of data from the Rx DMA to the buffer. The setting of RI bit automatically clears this bit. Access restriction applies. Self-set to 1 on internal event. Setting 1 clears. Setting 0 has no effect.</p> <p>0x0 (INACTIVE): Early Receive Interrupt status not detected 0x1 (ACTIVE): Early Receive Interrupt status detected</p>
10	RW	0x0	<p>ETI Early Transmit Interrupt This bit when set indicates that the TxDMA has completed the transfer of packet data to the MTL TXFIFO memory. In configs supporting ERIC: When ETIC=0, this bit is set only after the Tx DMA has transferred a complete packet to MTL. When ETIC=1, this bit is set after completion of (partial) packet data transfer from buffers in the Transmit descriptor in which IOC=1. Access restriction applies. Self-set to 1 on internal event. Setting 1 clears. Setting 0 has no effect.</p> <p>0x0 (INACTIVE): Early Transmit Interrupt status not detected 0x1 (ACTIVE): Early Transmit Interrupt status detected</p>
9	RW	0x0	<p>RWT Receive Watchdog Timeout This bit is asserted when a packet with length greater than 2,048 bytes (10,240 bytes when Jumbo Packet mode is enabled) is received.</p> <p>0x0 (INACTIVE): Receive Watchdog Timeout status not detected 0x1 (ACTIVE): Receive Watchdog Timeout status detected</p>
8	RW	0x0	<p>RPS Receive Process Stopped This bit is asserted when the Rx process enters the Stopped state. Access restriction applies. Self-set to 1 on internal event. Setting 1 clears. Setting 0 has no effect.</p> <p>0x0 (INACTIVE): Receive Process Stopped status not detected 0x1 (ACTIVE): Receive Process Stopped status detected</p>

Bit	Attr	Reset Value	Description
7	RW	0x0	<p><b>RBU</b> Receive Buffer Unavailable This bit indicates that the application owns the next descriptor in the Receive list, and the DMA cannot acquire it. The Rx process is suspended. To resume processing Rx descriptors, the application should change the ownership of the descriptor and issue a Receive Poll Demand command. If this command is not issued, the Rx process resumes when the next recognized incoming packet is received. In ring mode, the application should advance the Receive Descriptor Tail Pointer register of a channel. This bit is set only when the DMA owns the previous Rx descriptor.</p> <p>Access restriction applies. Self-set to 1 on internal event. Setting 1 clears. Setting 0 has no effect.</p> <p>0x0 (INACTIVE): Receive Buffer Unavailable status not detected 0x1 (ACTIVE): Receive Buffer Unavailable status detected</p>
6	RW	0x0	<p><b>RI</b> Receive Interrupt This bit indicates that the packet reception is complete. When packet reception is complete, Bit 31 of RDES3 is reset in the last descriptor, and the specific packet status information is updated in the descriptor. The reception remains in the Running state.</p> <p>Access restriction applies. Self-set to 1 on internal event. Setting 1 clears. Setting 0 has no effect.</p> <p>0x0 (INACTIVE): Receive Interrupt status not detected 0x1 (ACTIVE): Receive Interrupt status detected</p>
5:3	RO	0x0	reserved
2	RW	0x0	<p><b>TBU</b> Transmit Buffer Unavailable This bit indicates that the application owns the next descriptor in the Transmit list, and the DMA cannot acquire it. Transmission is suspended. The TPS0 field of the DMA_Debug_Status0 register explains the Transmit Process state transitions. To resume processing the Transmit descriptors, the application should do the following: 1. Change the ownership of the descriptor by setting Bit 31 of TDES3. 2. Issue a Transmit Poll Demand command. For ring mode, the application should advance the Transmit Descriptor Tail Pointer register of a channel. Access restriction applies. Self-set to 1 on internal event. Setting 1 clears. Setting 0 has no effect.</p> <p>0x0 (INACTIVE): Transmit Buffer Unavailable status not detected 0x1 (ACTIVE): Transmit Buffer Unavailable status</p>

Bit	Attr	Reset Value	Description
1	RW	0x0	<p>TPS Transmit Process Stopped This bit is set when the transmission is stopped. Access restriction applies. Self-set to 1 on internal event. Setting 1 clears. Setting 0 has no effect.</p> <p>0x0 (INACTIVE): Transmit Process Stopped status not detected 0x1 (ACTIVE): Transmit Process Stopped status detected</p>
0	RW	0x0	<p>TI Transmit Interrupt This bit indicates that the packet transmission is complete. When transmission is complete, Bit 31 of TDES3 is reset in the last descriptor, and the specific packet status information is updated in the descriptor. Access restriction applies. Self-set to 1 on internal event. Setting 1 clears. Setting 0 has no effect.</p> <p>0x0 (INACTIVE): Transmit Interrupt status not detected 0x1 (ACTIVE): Transmit Interrupt status detected</p>

**GMAC DMA CH1 Miss Frame Cnt**

Address: Operational Base + offset (0x11e4)

Bit	Attr	Reset Value	Description
31:16	RO	0x0000	reserved
15	RO	0x0	<p>MFC0 Overflow status of the MFC Counter When this bit is set then the MFC counter does not get incremented further. The bit gets cleared when this register is read. Access restriction applies. Clears on read. Self-set to 1 on internal event.</p> <p>0x0 (INACTIVE): Miss Frame Counter overflow not occurred 0x1 (ACTIVE): Miss Frame Counter overflow occurred</p>
14:11	RO	0x0	reserved
10:0	RO	0x000	<p>MFC Dropped Packet Counters This counter indicates the number of packet counters that are dropped by the DMA either because of bus error or because of programming RPF field in DMA_CH<i>i</i>_Rx_Control register. The counter gets cleared when this register is read. Access restriction applies. Clears on read. Self-set to 1 on internal event.</p>

**GMAC DMA CH1 RX ERI Cnt**

Address: Operational Base + offset (0x11e8)

Bit	Attr	Reset Value	Description
31:1	RO	0x00000000	reserved
0	RO	0x0	<p>ECNT ERI Counter When ERIC bit of DMA_CH(<i>i</i>)_RX_Control register is set, this counter increments for burst transfer completed by the Rx DMA from the start of packet transfer. This counter will get reset at the start of new packet.</p>

## 25.5 Interface Description

There are two GMAC Controllers in RK3588, and each has one set of IO interface, as shown below:

Table 25-3 GMAC0 Interface

Module Pin	Direction	Pad Name	IOMUX Setting
RMII/RGMII interface			
mac_clk	I/O	GMAC0_MCLKINOUT/I2S2_SDO_M0/I2C7_SCL_M1/PWM4_M1/SPI3_CS1_M0/GPIO4_C3_d	BUS_IOC_GPIO4C_IOMUX_SEL_L [15:12] = 4'h1
mac_txen	O	GMAC0_TXEN/I2S2_LRCK_M0/I2C2_SDA_M1/UART1_RTSN_M0/SPI1_CLK_M0/GPIO2_C0_d	BUS_IOC_GPIO2C_IOMUX_SEL_L [3:0] = 4'h1
mac_txd3	O	GMAC0_TXD3/SDIO_CMD_M0/I2C3_SCL_M3/GPIO2_B2_u	BUS_IOC_GPIO2B_IOMUX_SEL_L [11:8] = 4'h1
mac_txd2	O	GMAC0_TXD2/SDIO_D3_M0/FSPI_D3_M1/I2C8_SDA_M1/UART6_CTSN_M0/GPIO2_B1_u	BUS_IOC_GPIO2B_IOMUX_SEL_L [7:4] = 4'h1
mac_txd1	O	GMAC0_TXD1/I2S2_SCLK_M0/I2C5_SDA_M4/UART1_TX_M0/GPIO2_B7_d	BUS_IOC_GPIO2B_IOMUX_SEL_H [15:12] = 4'h1
mac_txd0	O	GMAC0_TXD0/I2S2_MCLK_M0/I2C5_SCL_M4/UART1_RX_M0/GPIO2_B6_d	BUS_IOC_GPIO2B_IOMUX_SEL_H [11:8] = 4'h1
mac_txclk	O	GMAC0_TXCLK/SDIO_CLK_M0/FSPI_CLK_M1/I2C3_SDA_M3/GPIO2_B3_d	BUS_IOC_GPIO2B_IOMUX_SEL_L [15:12] = 4'h1
mac_txer	O	GMAC0_TXER/I2C0_SDA_M1/UART7_CTSN_M0/PWM7_IR_M3/SPI3_CLK_M0/GPIO4_C6_d	BUS_IOC_GPIO4C_IOMUX_SEL_H [11:8] = 4'h1
mac_rxdv	I	GMAC0_RXDV_CRS/UART7_RTSN_M0/PWM2_M2/SPI3_CS0_M0/GPIO4_C2_d	BUS_IOC_GPIO4C_IOMUX_SEL_L [11:8] = 4'h1
mac_rxd3	I	GMAC0_RXD3/SDIO_D1_M0/FSPI_D1_M1/UART6_TX_M0/GPIO2_A7_u	BUS_IOC_GPIO2A_IOMUX_SEL_H [15:12] = 4'h1
mac_rxd2	I	GMAC0_RXD2/SDIO_D0_M0/FSPI_D0_M1/UART6_RX_M0/GPIO2_A6_u	BUS_IOC_GPIO2A_IOMUX_SEL_H [11:8] = 4'h1
mac_rxd1	I	GMAC0_RXD1/I2C6_SDA_M2/UART9_TX_M0/SPI1_MOSI_M0/GPIO2_C2_d	BUS_IOC_GPIO2C_IOMUX_SEL_L [11:8] = 4'h1
mac_rxd0	I	GMAC0_RXD0/I2C2_SCL_M1/UART1_CTSN_M0/SPI1_MISO_M0/GPIO2_C1_d	BUS_IOC_GPIO2C_IOMUX_SEL_L [7:4] = 4'h1
mac_rxclk	I	GMAC0_RXCLK/SDIO_D2_M0/FSPI_D2_M1/I2C8_SCL_M1/UART6_RTSN_M0/GPIO2_B0_u	BUS_IOC_GPIO2B_IOMUX_SEL_L [3:0] = 4'h1
mac_ppstrig	I	GMAC0_PPSTRING/FSPI_CS1N_M1/HDMI_TX1_SCL_M0/I2C4_SCL_M1/UART7_TX_M0/GPIO2_B5_u	BUS_IOC_GPIO2B_IOMUX_SEL_H [7:4] = 4'h1
mac_ppsclk	O	GMAC0_PPSCLK/TEST_CLKOUT_M1/HDMI_TX1_CEC_M0/UART9_RX_M0/SPI1_CS1_M0/GPIO2_C4_d	BUS_IOC_GPIO2C_IOMUX_SEL_H [3:0] = 4'h1
mac_ptprefclk	I	GMAC0_PTP_REFCLK/FSPI_CS0N_M1/HDMI_TX1_SDA_M0/I2C4_SDA_M1/UART7_RX_M0/GPIO2_B4_u	BUS_IOC_GPIO2B_IOMUX_SEL_H [3:0] = 4'h1
eth0_refclko25m	O	ETH0_REFCLKO_25M/I2S2_SDI_M0/I2C6_SCL_M2/SPI1_CS0_M0/GPIO2_C3_d	BUS_IOC_GPIO2C_IOMUX_SEL_L [15:12] = 4'h1
Management interface			
mac_mdio	I/O	GMAC0_MDIO/I2C0_SCL_M1/UART9_CTSN_M0/PWM6_M2/SPI3_MOSI_M0/GPIO4_C5_d	BUS_IOC_GPIO4C_IOMUX_SEL_H [7:4] = 4'h1
mac_mdc	O	GMAC0_MDC/I2C7_SDA_M1/UART9_RTSN_M0/PWM5_M2/SPI3_MISO_M0/GPIO4_C4_d	BUS_IOC_GPIO4C_IOMUX_SEL_H [3:0] = 4'h1

Table 25-4 GMAC1 Interface

Module Pin	Direction	Pad Name	IOMUX Setting
RMII/RGMII interface			
mac_clk	I/O	GMAC1_MCLKINOUT/II2S2_LRCK_M1/CAN1_TX_M0/UART3_RX_M1/PWM13_M0/GPIO3_B6_d	BUS_IOC_GPIO3B_IOMUX_SEL_H [11:8] = 4'h1
mac_txen	O	GMAC1_TXEN/I2S2_SCLK_M1/CAN1_RX_M0/UART3_TX_M1/PWM12_M0/GPIO3_B5_u	BUS_IOC_GPIO3B_IOMUX_SEL_H [7:4] = 4'h1
mac_txd3	O	GMAC1_TXD3/SDIO_D1_M1/I2S3_SCLK/AUDDSM_LN/FSPI_D1_M2/I2C6_SCL_M4/PWM11_IR_M0/SPI4_MOSI_M1/GPIO3_A1_u	BUS_IOC_GPIO3A_IOMUX_SEL_L [7:4] = 4'h1
mac_txd2	O	GMAC1_TXD2/SDIO_D0_M1/I2S3_MCLK/FSPI_D0_M2/I2C6_SDA_M4/PWM10_M0/SPI4_MISO_M1/GPIO3_A0_u	BUS_IOC_GPIO3A_IOMUX_SEL_L [3:0] = 4'h1
mac_txd1	O	GMAC1_TXD1/I2S2_MCLK_M1/UART2_CTSN/GPIO3_B4_u	BUS_IOC_GPIO3B_IOMUX_SEL_H [3:0] = 4'h1
mac_txd0	O	GMAC1_TXD0/I2S2_SDO_M1/UART2_RTSN/GPIO3_B3_u	BUS_IOC_GPIO3B_IOMUX_SEL_L [15:12] = 4'h1
mac_txclk	O	GMAC1_TXCLK/SDIO_CMD_M1/I2S3_SDI/AUDDSM_RP/UART8_RTSN_M1/SPI4_CS1_M1/GPIO3_A4_d	BUS_IOC_GPIO3A_IOMUX_SEL_H [3:0] = 4'h1
mac_txer	O	GMAC1_TXER/I2S2_SDI_M1/UART2_RX_M2/PWM3_IR_M1/GPIO3_B2_d	BUS_IOC_GPIO3B_IOMUX_SEL_L [11:8] = 4'h1
mac_rxdv	I	GMAC1_RXDV_CRS/MIPI_CAMERA4_CLK_M1/UART2_TX_M2/PWM2_M1/GPIO3_B1_d	BUS_IOC_GPIO3B_IOMUX_SEL_L [7:4] = 4'h1
mac_rxd3	I	GMAC1_RXD3/SDIO_D3_M1/I2S3_SDO/AUDDSM_RN/FSPI_D3_M2/UART8_RX_M1/SPI4_CS0_M1/GPIO3_A3_u	BUS_IOC_GPIO3A_IOMUX_SEL_L [15:12] = 4'h1
mac_rxd2	I	GMAC1_RXD2/SDIO_D2_M1/I2S3_LRC/AUDDSM_LP/FSPI_D2_M2/UART8_TX_M1/SPI4_CLK_M1/GPIO3_A2_u	BUS_IOC_GPIO3A_IOMUX_SEL_L [11:8] = 4'h1
mac_rxd1	I	GMAC1_RXD1/MIPI_CAMERA3_CLK_M1/PWM9_M0/GPIO3_B0_u	BUS_IOC_GPIO3B_IOMUX_SEL_L [3:0] = 4'h1
mac_rxd0	I	GMAC1_RXD0/MIPI_CAMERA2_CLK_M1/PWM8_M0/GPIO3_A7_u	BUS_IOC_GPIO3A_IOMUX_SEL_H [15:12] = 4'h1
mac_rxclk	I	GMAC1_RXCLK/SDIO_CLK_M1/MIPI_CAMERA0_CLK_M1/FSPI_CLK_M2/I2C4_SDA_M0/UART8_CTSN_M1/GPIO3_A5_d	BUS_IOC_GPIO3A_IOMUX_SEL_H [7:4] = 4'h1
mac_ppstrig	I	GMAC1_PPSTRIG/I2C3_SDA_M1/UART7_TX_M1/SPI1_MISO_M1/GPIO3_C0_d	BUS_IOC_GPIO3C_IOMUX_SEL_L [3:0] = 4'h1
mac_ppsclk	O	GMAC1_PPSCLK/PCIE30X2_BUTTON_RSTN/UART7_RX_M1/SPI1_CLK_M1/GPIO3_C1_d	BUS_IOC_GPIO3C_IOMUX_SEL_L [7:4] = 4'h1
mac_ptprefclk	I	GMAC1_PTP_REF_CLK/HDMI_TX1_HPD_M1/I2C3_SCL_M1/SPI1_MOSI_M1/GPIO3_B7_d	BUS_IOC_GPIO3B_IOMUX_SEL_H [15:12] = 4'h1
eth1_refclk0_25m	O	ETH1_REFCLK0_25M/MIPI_CAMERA1_CLK_M1/I2C4_SCL_M0/GPIO3_A6_d	BUS_IOC_GPIO3A_IOMUX_SEL_H [11:8] = 4'h1
Management interface			
mac_mdio	I/O	GMAC1_MDIO/MIPI_TE1/I2C8_SDA_M4/UART7_CTSN_M1/PWM15_IR_M0/SPI1_CS1_M1/GPIO3_C3_d	BUS_IOC_GPIO3C_IOMUX_SEL_L [15:12] = 4'h1
mac_mdc	O	GMAC1_MDC/MIPI_TE0/I2C8_SCL_M4/UART7_RTSN_M1/PWM14_M0/SPI1_CS0_M1/GPIO3_C2_d	BUS_IOC_GPIO3C_IOMUX_SEL_L [11:8] = 4'h1

## 25.6 Application Note

### 25.6.1 Descriptors

The DMA engine uses descriptors to efficiently move data from source to destination with minimal application CPU intervention. The DMA is designed for packet-oriented data transfers such as packets in Ethernet. The DMA controller can be programmed to interrupt the application CPU for situations such as Packet Transmit and Receive Transfer completion, and other normal or error conditions.

The DMA and the application communicate through the following two data structures:

- Control and Status registers (CSR)
- Descriptor lists and data buffers

The base address of each list is written to the respective Tx Descriptor List Address register and Rx Descriptor List Address register. The descriptor list is forward linked and the next descriptor is always considered at a fixed offset to the current one. The offset is controlled by the DSL field of DMA\_Ch[n]\_Control register. The number of descriptors in the list is programmed in the respective Tx (or Rx) Descriptor Ring Length register. Once the DMA processes the last descriptor in the list, it automatically jumps back to the descriptor in the List Address register to create a descriptor ring.

The descriptor lists reside in the physical memory address space of the application. Each descriptor can point to a maximum of two buffers in the system memory. This enables two buffers to be used, physically addressed, rather than contiguous buffers in memory.

A data buffer resides in the application physical memory space and consists of an entire packet or part of a packet but cannot exceed a single packet. Buffers contain only data.

Buffer status is maintained in the descriptor. Data chaining refers to packets that span multiple data buffers. However, a single descriptor cannot span multiple packets. The DMA skips to the data buffer of next packet when EOP is detected.

The GMAC supports the following two types of descriptors:

- Normal Descriptor: Normal descriptors are used for packet data and to provide control information applicable to the packets to be transmitted
- Context Descriptor: Context descriptors are used to provide control information applicable to the packet to be transmitted

The GMAC supports the ring structure for the DMA descriptor.

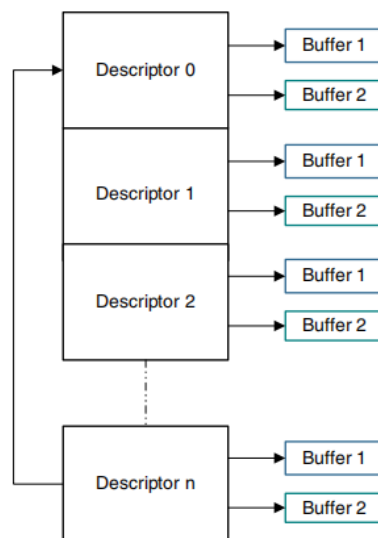


Fig. 25-10 Descriptor Ring Structure

In Ring structure, descriptors are separated by the Word, DWord, or LWord number programmed in the DSL field of the DMA\_CH#\_Control register. The application needs to program the total ring length, that is, the total number of descriptors in ring span in the following registers of a DMA channel:

- Transmit Descriptor Ring Length Register (DMA\_CH#\_TxDesc\_Ring\_Length)
- Receive Descriptor Ring Length Register (DMA\_CH#\_RxDesc\_Ring\_Length)

The Descriptor Tail Pointer Register contains the pointer to the descriptor address (N). The base address and the current descriptor pointer decide the address of the current descriptor that the DMA can process.

The descriptors up to one location less than the one indicated by the descriptor tail pointer (N - 1) are owned by the DMA. The DMA continues to process the descriptors until the following condition occurs:

$$\text{Current Descriptor Pointer} == \text{Descriptor Tail Pointer}$$

The DMA goes into the Suspend mode when this condition occurs. The application must perform a write to the Descriptor Tail pointer register and update the tail pointer so that the following condition is true:

$$\text{Current Descriptor Pointer} < \text{Descriptor Tail Pointer}$$

The DMA automatically wraps around the base address when the end of ring is reached. For descriptors owned by the application, the OWN bit of DES3 is reset to 0. For descriptors owned by the DMA, the OWN bit is set to 1. If the application has only one descriptor in the beginning, the application sets the last descriptor address (tail pointer) to Descriptor Base Address + 1. The DMA processes the first descriptor and then waits for the application to advance the tail pointer.

### 25.6.2 Transmit Descriptors

The DMA in GMAC requires at least one descriptor for a transmit packet. In addition to two buffers, two byte-count buffers, and two address pointers, the transmit descriptor has control fields which can be used to control the MAC operation on per-transmit packet basis. The Transmit Normal descriptor has two formats: Read format and Write-Back format.

### 25.6.3 Transmit Normal Descriptor (Read Format)

Table 25-5 TDES0 Normal Descriptor (Read Format)

Bit	Name	Description
31:0	BUF1AP	Buffer 1 Address Pointer or TSO Header Address Pointer These bits indicate the physical address of Buffer 1. These bits indicate the TSO Header Address pointer when the following bits are set: <ul style="list-style-type: none"> <li>■ TSE bit of TDES3</li> <li>■ FD bit of TDES3</li> </ul>

Table 25-6 TDES1 Normal Descriptor (Read Format)

Bit	Name	Description
31:0	BUF2AP	Buffer 2 or Buffer 1 Address Pointer This bit indicates the physical address of Buffer 2 when a descriptor ring structure is used. There is no limitation for the buffer address alignment. In 40- or 48-bit addressing mode, these bits indicate the most-significant 8- or 16- bits of the Buffer 1 Address Pointer.

Table 25-7 TDES2 Normal Descriptor (Read Format)

Bit	Name	Description
31	IOC	Interrupt on Completion This bit controls the setting of TI and ETI status bits in the DMA_CH#_Status register. When ETIC = 1 and TDES2[LD] = 0, this bit sets the ETI bit. When TDES3[LD] = 1, this bit sets the TI status bit.
30	TTSE/TMWD	Transmit Timestamp Enable or External TSO Memory Write Enable This bit enables the IEEE1588 time stamping for Transmit packet referenced by the descriptor, if TSE bit is not set. If TSE bit is set and external TSO memory is enabled, setting this bit disables external TSO memory writing for this packet.

Bit	Name	Description
29:16	B2L	Buffer 2 Length The driver sets this field. When set, this field indicates Buffer 2 length
15:14	VTIR	VLAN Tag Insertion or Replacement These bits request the MAC to perform VLAN tagging or untagging before transmitting the packets. The application must set the CRC Pad Control bits appropriately when VLAN Tag Insertion, Replacement, or Deletion is enabled for the packet. The following list describes the values of these bits: <ul style="list-style-type: none"> <li>■ 2'b00: Do not add a VLAN tag.</li> <li>■ 2'b01: Remove the VLAN tag from the packets before transmission. This option should be used only with the VLAN packets.</li> <li>■ 2'b10: Insert a VLAN tag with the tag value programmed in the MAC_VLAN_Incl register or context descriptor.</li> <li>■ 2'b11: Replace the VLAN tag in packets with the tag value programmed in the MAC_VLAN_Incl register or context descriptor. This option should be used only with the VLAN packets.</li> </ul> These bits are valid when the Enable SA and VLAN Insertion on Tx option is selected while configuring the core
13:0	HL or B1L	Header Length or Buffer 1 Length For Header length only bits [9:0] are taken. The size 13:0 is applicable only when interpreting buffer 1 length. If the TCP Segmentation Offload feature is enabled through the TSE bit of TDES3, this field is equal to the header length. When the TSE bit is set in TDES3, the header length includes the length in bytes from Ethernet Source address till the end of the TCP header. The maximum header length supported for TSO feature is 1023 bytes. The maximum header length supported for TSO feature is 1023 bytes. If the TCP Segmentation Offload feature is not enabled, this field is equal to Buffer 1 length.

Table 25-8 TDES3 Normal Descriptor (Read Format)

Bit	Name	Description
31	OWN	Own Bit When this bit is set, it indicates that the DMA owns the descriptor. When this bit is reset, it indicates that the application owns the descriptor. The DMA clears this bit after it completes the transfer of data given in the associated buffer(s).
30	CTXT	Context Type This bit should be set to 1'b0 for normal descriptor.
29	FD	First Descriptor When this bit is set, it indicates that the buffer contains the first segment of a packet.
28	LD	Last Descriptor When this bit is set, it indicates that the buffer contains the last segment of the packet. When this bit is set, the B1L or B2L field should have a non-zero value.
27:26	CPC	CRC Pad Control This field controls the CRC and Pad Insertion for Tx packet. This field is valid only when the first descriptor bit (TDES3[29]) is set. The following list describes the values of Bits[27:26]: <ul style="list-style-type: none"> <li>■ 2'b00: CRC and Pad Insertion. The MAC appends the cyclic redundancy check (CRC) at the end of the transmitted packet of length greater than or equal to 60 bytes. The MAC automatically appends padding and CRC to a packet with length less than 60 bytes.</li> </ul>



Bit	Name	Description
		<ul style="list-style-type: none"> <li>■ 2'b01: CRC Insertion (Disable Pad Insertion). The MAC appends the CRC at the end of the transmitted packet but it does not append padding. The application should ensure that the padding bytes are present in the packet being transferred from the Transmit Buffer, that is, the packet being transferred from the Transmit Buffer is of length greater than or equal to 60 bytes.</li> <li>■ 2'b10: Disable CRC Insertion. The MAC does not append the CRC at the end of the transmitted packet. The application should ensure that the padding and CRC bytes are present in the packet being transferred from the Transmit Buffer.</li> <li>■ 2'b11: CRC Replacement. The MAC replaces the last four bytes of the transmitted packet with recalculated CRC bytes. The application should ensure that the padding and CRC bytes are present in the packet being transferred from the Transmit Buffer. This field is valid only for the first descriptor.</li> </ul> <p>Note: When the TSE bit is set, the MAC ignores this field because the CRC and pad insertion is always done for segmentation.</p>
25:23	SAIC	<p>SA Insertion Control</p> <p>These bits request the MAC to add or replace the Source Address field in the Ethernet packet with the value given in the MAC Address 0 register. The application must set the CRC Pad Control bits appropriately when SA Insertion Control is enabled for the packet. Bit 25 specifies the MAC Address Register (1 or 0) value that is used for Source Address insertion or replacement.</p> <p>The following list describes the values of Bits[24:23]:</p> <ul style="list-style-type: none"> <li>■ 2'b00: Do not include the source address</li> <li>■ 2'b01: Include or insert the source address. For reliable transmission, the application must provide frames without source addresses.</li> <li>■ 2'b10: Replace the source address. For reliable transmission, the application must provide frames with source addresses.</li> <li>■ 2'b11: Reserved</li> </ul> <p>These bits are valid in the EQOS-DMA, EQOS-AXI, and EQOS-AHB configurations when the Enable SA and VLAN Insertion on Tx option is selected while configuring the core and when the First Segment control bit (TDES3 [29]) is set.</p> <p>This field is valid only for the first descriptor.</p>
22:19	SLOTNUM or THL	<p>SLOTNUM: Slot Number Control Bits in AV Mode</p> <p>These bits indicate the slot interval in which the data should be fetched from the corresponding buffers addressed by TDES0 or TDES1. When the Transmit descriptor is fetched, the DMA compares the slot number value in this field with the slot interval maintained in the RSN field DMA_CH#_Slot_Function_Control_Status. It fetches the data from the buffers only if a value matches. These bits are valid only for the AV channels.</p> <p>THL: TCP/UDP Header Length</p> <p>If the TSE bit is set, this field contains the length of the TCP/UDP header. The minimum value of this field must be 5 for TCP header. The value must be equal to 2 for UDP header.</p> <p>This field is valid only for the first descriptor.</p>
18	TSE	<p>TCP Segmentation Enable</p> <p>When this bit is set, the DMA performs the TCP/UDP segmentation or UDP fragmentation for a packet depending on the TSE_MODE[1:0] bit of the DMA_CH(#i)_Tx_Control Register. This bit is valid only if the FD bit is set.</p>

Bit	Name	Description
17:16	CIC/TPL	Checksum Insertion Control or TCP Payload Length These bits control the checksum calculation and insertion. The following list describes the bit encoding: <ul style="list-style-type: none"> <li>■ 2'b00: Checksum Insertion Disabled.</li> <li>■ 2'b01: Only IP header checksum calculation and insertion are enabled.</li> <li>■ 2'b10: IP header checksum and payload checksum calculation and insertion are enabled, but pseudo-header checksum is not calculated in hardware.</li> <li>■ 2'b11: IP Header checksum and payload checksum calculation and insertion are enabled, and pseudo-header checksum is calculated in hardware. This field is valid when the Enable Transmit TCP/IP Checksum Offload option is selected and the TSE bit is reset.</li> </ul> When the TSE bit is set, this field contains the upper bits [17:16] of the TCP Payload (or IP Payload for UDP fragmentation). This allows the TCP/UDP packet length field to be spanned across TDES3[17:0] to provide 256 KB packet length support. This field is valid only for the first descriptor.
15	TPL	Reserved or TCP Payload Length When the TSE bit is reset, this bit is reserved. When the TSE bit is set, this is Bit 15 of the TCP payload length [17:0]. This field is valid only when the Enable TCP Segmentation Offloading for TCP/IP Packets option is selected while configuring the core.
14:0	FL/TPL	Frame Length or TCP Payload Length This field is equal to the length of the packet to be transmitted in bytes. When the TSE bit is not set, this field is equal to the total length of the packet to be transmitted: Ethernet Header Length + TCP /IP Header Length - Preamble Length - SFD Length + Ethernet Payload Length When the TSE bit is set, this field is equal to the lower 15 bits of the TCP payload length in case of segmentation and IP payload in case of UDP fragmentation. In case of segmentation, this length does not include Ethernet header or TCP/UDP/IP header length. In case of fragmentation, this length does not include Ethernet header and IP header. When DWRR/WFQ algorithm is NOT enabled, value written into this field is not used when TSE = 0.

**25.6.4 Transmit Normal Descriptor (Write-back Format)**

The write-back format of the Transmit Descriptor includes timestamp low, timestamp high, OWN, and Status bits. The write-back format is applicable only for the last descriptor of the corresponding packet. The LD bit (TDES3[28]) is set in the descriptor where the DMA writes back the status and timestamp information for the corresponding Transmit packet. this format is only applicable to the last descriptor of a packet.

Table 25-9 TDES0 Normal Descriptor (Write-Back Format)

Bit	Name	Description
31:0	TTSL	Transmit Packet Timestamp Low The DMA updates this field with least significant 32 bits of the timestamp captured for the corresponding Transmit packet. The DMA writes the timestamp only if TTSE bit of TDES2 is set in the first descriptor of the packet. This field has the timestamp only if the Last Segment bit (LS) in the descriptor is set and the Timestamp status (TTSS) bit is set

Table 25-10 TDES1 Normal Descriptor (Write-Back Format)

Bit	Name	Description
31:0	TTSH	Transmit Packet Timestamp High The DMA updates this field with the most significant 32 bits of the timestamp captured for corresponding transmit packet. The DMA writes the timestamp only if the TTSE bit of TDES2 is set in the first descriptor of the packet. This field has the timestamp only if the Last Segment bit (LS) in the descriptor is set and Timestamp status (TTSS) bit is set.

Table 25-11 TDES2 Normal Descriptor (Write-Back Format)

Bit	Name	Description
31:0	Reserved	Reserved

Table 25-12 TDES2 Normal Descriptor (Write-Back Format)

Bit	Name	Description
31	OWN	Own Bit When this bit is set, it indicates that the DMA owns the descriptor. When this bit is reset, it indicates that the application owns the descriptor. The DMA clears this bit after it completes the transfer of data given in the associated buffer(s).
30	CTXT	Context Type This bit should be set to 1'b0 for normal descriptor.
29	FD	First Descriptor When this bit is set, it indicates that the buffer contains the first segment of a packet.
28	LD	Last Descriptor When this bit is set, it indicates that the buffer contains the last segment of the packet. When this bit is set, the B1L or B2L field should have a non-zero value.
27:24	Reserved	Reserved
23	DE	Descriptor Error When this bit is set, it indicates that the descriptor content is incorrect. The DMA sets this bit during write-back while closing the descriptor. Descriptor Errors can be: <ul style="list-style-type: none"> <li>■ Incorrect sequence from the context descriptor. For example, a location after the first descriptor for a packet</li> <li>■ All 1s</li> <li>■ CTXT, LD, and FD bits set to 1</li> </ul> Note 1: When Descriptor Error occurs due to All 1s or CTXT, LD, and FD bits set to 1, the Transmit DMA closes the transmit descriptor with DE and LD bits set to 1. When IOC bit in TDES2 of corresponding first descriptor is set to 1, Transmit DMA will set the TI bit in the DMA_CH#_Status register. Note 2: Based on CTXT, LD, and FD bits of the transmit descriptor, the subsequent descriptor might be considered as the First Descriptor (even if FD bit is not set) and partial packet is sent.
22:18	Reserved	Reserved
17	TTSS	Tx Timestamp Status This status bit indicates that a timestamp has been captured for the corresponding transmit packet. When this bit is set, TDES0 and TDES1 have timestamp values that were captured for the Transmit packet. This field is valid only when the Last Segment control bit (TDES3 [28]) in a descriptor is set. This bit is valid only when IEEE1588 timestamping feature is enabled; otherwise, it is reserved.
16	EUE	ECC Uncorrectable Error Status Indicates the ECC uncorrectable error in the TSO memory.

Bit	Name	Description
		Note: Uncorrectable error in Transmit FIFO memory is reported with (Bit 13) FF = 1. This is because, all such packets are flushed by GMAC.
15	ES	<p>Error Summary</p> <p>This bit indicates the logical OR of the following bits:</p> <ul style="list-style-type: none"> <li>■ TDES3[0]: IP Header Error</li> <li>■ TDES3[14]: Jabber Timeout</li> <li>■ TDES3[13]: Packet Flush</li> <li>■ TDES3[12]: Payload Checksum Error</li> <li>■ TDES3[11]: Loss of Carrier</li> <li>■ TDES3[10]: No Carrier</li> <li>■ TDES3[9]: Late Collision</li> <li>■ TDES3[8]: Excessive Collision</li> <li>■ TDES3[3]: Excessive Deferral</li> <li>■ TDES3[2]: Underflow Error</li> </ul> <p>This bit is also set when EUE (bit 16) is set</p>
14	JT	<p>Jabber Timeout</p> <p>This bit indicates that the MAC transmitter has experienced a jabber time-out. This bit is set only when the JD bit of the MAC_Configuration register is not set.</p>
13	PF	<p>Packet Flushed</p> <p>This bit indicates that the DMA or MTL flushed the packet because of a software flush command given by the CPU.</p>
12	PCE	<p>Payload Checksum Error</p> <p>This bit indicates that the Checksum Offload engine had a failure and did not insert any checksum into the encapsulated TCP, UDP, or ICMP payload. This failure can be either because of insufficient bytes, as indicated by the Payload Length field of the IP Header or the MTL starting to forward the packet to the MAC transmitter in Store-and-Forward mode without the checksum having been calculated yet. This second error condition only occurs when the Transmit FIFO depth is less than the length of the Ethernet packet being transmitted to avoid deadlock, the MTL starts forwarding the packet when the FIFO is full, even in the store-and-forward mode. This error can also occur when Bus Error is detected during packet transfer. When the Full Checksum Offload engine is not enabled, this bit is reserved.</p>
11	LoC	<p>Loss of Carrier</p> <p>This bit indicates that Loss of Carrier occurred during packet transmission (that is, the gmii_crs_i signal was inactive for one or more transmit clock periods during packet transmission). This is valid only for the packets transmitted without collision and when the MAC operates in the half-duplex mode.</p>
10	NC	<p>No Carrier</p> <p>This bit indicates that the carrier sense signal from the PHY was not asserted during transmission.</p>
9	LC	<p>Late Collision</p> <p>This bit indicates that packet transmission was aborted because a collision occurred after the collision window (64 byte times including Preamble in MII mode and 512 byte times including Preamble and Carrier Extension in GMII mode). This bit is not valid if Underflow Error is set.</p>
8	EC	<p>Excessive Collision</p> <p>This bit indicates that the transmission was aborted after 16 successive collisions while attempting to transmit the current packet. If the DR bit is set in the MAC_Configuration register, this bit is set after first collision and the transmission of the packet is aborted.</p>
7:4	CC	Collision Count

Bit	Name	Description
		This 4-bit counter value indicates the number of collisions occurred before the packet was transmitted. The count is not valid when the EC bit is set.
3	ED	Excessive Deferral This bit indicates that the transmission ended because of excessive deferral of over 24,288 bit times (155,680 bits times in 1000 Mbps mode or Jumbo Packet enabled mode) if DC bit is set in the MAC_Configuration register. When TBS is enabled in full duplex mode and this bit is set, it indicates that the frame has been dropped after the expiry time has reached.
2	UF	Underflow Error This bit indicates that the MAC aborted the packet because the data arrived late from the system memory. The underflow error can occur because of either of the following conditions: <ul style="list-style-type: none"> <li>■ The DMA encountered an empty Transmit Buffer while transmitting the packet</li> <li>■ The application filled the MTL Tx FIFO slower than the MAC transmit rate</li> </ul> The transmission process enter the suspended state and sets the underflow bit corresponding to a queue in the MTL_Interrupt_Status register.
1	DB	Deferred Bit This bit indicates that the MAC deferred before transmitting because of presence of carrier. This bit is valid only in the half-duplex mode.
0	IHE	IP Header Error When IP Header Error is set, this bit indicates that the Checksum Offload engine detected an IP header error. This bit is valid only when Tx Checksum Offload is enabled. Otherwise, it is reserved. If COE detects an IP header error, it still inserts an IPv4 header checksum if the Ethernet Type field indicates an IPv4 payload. In full duplex mode, when EST/Qbv is enabled and this bit is set, it indicates the frame drop status due to Frame Size error or Schedule Error.

**25.6.5 Programming Guide**

**25.6.5.1 Initializing DMA**

Complete the following steps to initialize the DMA:

1. Provide a software reset. This resets all of the MAC internal registers and logic (bit-0 of DMA\_Mode).
2. Wait for the completion of the reset process (poll bit 0 of the DMA\_Mode, which is only cleared after the reset operation is completed).
3. Program the following fields to initialize the DMA\_SysBus\_Mode register:
  - a. AAL
  - b. Fixed burst or undefined burst
  - c. Burst mode values in case of AHB bus interface, OSR\_LMT in case of AXI bus interface.
  - d. If fixed length value is enabled, select the maximum burst length possible on the AXI Bus (bits [7:1])
4. Create a descriptor list for transmit and receive. In addition, ensure that the descriptors are owned by DMA (set bit 31 of descriptor TDES3/RDES3). For more information about descriptors, see section "Descriptors".
5. Program the Transmit and Receive Ring length registers (DMA\_CH(#i)\_TxDesc\_Ring\_Length (for i = 0; i <= GMAC\_NUM\_DMA\_TX\_CH-1) and DMA\_CH(#i)\_RxDesc\_Ring\_Length (for i = 0; i <= GMAC\_NUM\_DMA\_RX\_CH-1)). The ring length programmed must be at least 4.

6. Initialize receive and transmit descriptor list address with the base address of the transmit and receive descriptor (DMA\_CH(#i)\_TxDesc\_List\_Address (for i = 0; i <= GMAC\_NUM\_DMA\_TX\_CH-1), DMA\_CH(#i)\_RxDesc\_List\_Address (for i = 0; i <= GMAC\_NUM\_DMA\_RX\_CH-1)). Also, program transmit and receive tail pointer registers indicating to the DMA about the available descriptors (DMA\_CH(#i)\_TxDesc\_Tail\_Pointer (for i = 0; i <= GMAC\_NUM\_DMA\_TX\_CH-1) and DMA\_CH(#i)\_RxDesc\_Tail\_Pointer (for i = 0; i <= GMAC\_NUM\_DMA\_RX\_CH-1)).
7. Program the settings of the following registers for the parameters like maximum burst-length (PBL) initiated by DMA, descriptor skip lengths, OSP in case of TxDMA, RBSZ in case of RxDMA, and so on:
  - DMA\_CH(#i)\_Control (for i = 0; i <= GMAC\_NUM\_DMA\_TX\_CH-1)
  - DMA\_CH(#i)\_TX\_Control (for i = 0; i <= GMAC\_NUM\_DMA\_TX\_CH-1)
  - DMA\_CH(#i)\_RX\_Control (for i = 0; i <= GMAC\_NUM\_DMA\_RX\_CH-1)
8. Enable the interrupts by programming the DMA\_CH(#i)\_Interrupt\_Enable (for i = 0; i <= GMAC\_NUM\_DMA\_TX\_CH-1) register.
9. Start the Receive and Transmit DMAs by setting SR (bit 0) of the DMA\_CH(#i)\_RX\_Control (for i = 0; i <= GMAC\_NUM\_DMA\_RX\_CH-1) and ST (bit 0) of the DMA\_CH(#i)\_TX\_Control (for i = 0; i <= GMAC\_NUM\_DMA\_TX\_CH-1) register.
10. Repeat steps 4 to 9 for all the Tx DMA and Rx DMA channels selected in the hardware.

### **25.6.5.2 Initializing MTL Registers**

The Transaction Layer (MTL) registers must be initialized to establish the transmit and receive operating modes and commands.

Complete the following steps to initialize the MTL registers:

1. Program the Tx Scheduling (SCHALG) and Receive Arbitration Algorithm (RAA) fields in MTL\_Operation\_Mode to initialize the MTL operation in case of multiple Tx and Rx queues.
2. Program the Receive Queue to DMA mapping in MTL\_RxQ\_DMA\_Map0 and MTL\_RxQ\_DMA\_Map1 registers.
3. Program the following fields to initialize the mode of operation in the MTL\_TxQ0\_Operation\_Mode register:
  - a. Transmit Store And Forward (TSF) or Transmit Threshold Control (TTC) in case of threshold mode
  - b. Transmit Queue Enable (TXQEN) to value 2'b10 to enable Transmit Queue0
  - c. Transmit Queue Size (TQS)
4. Program the following fields to initialize the mode of operation in the MTL\_RxQ0\_Operation\_Mode register:
  - a. Receive Store and Forward (RSF) or RTC in case of Threshold mode
  - b. Flow Control Activation and De-activation thresholds for MTL Receive FIFO (RFA and RFD)
  - c. Error Packet and undersized good Packet forwarding enable (FEP and FUP)
  - d. Receive Queue Size (RQS)
5. Repeat previous two steps for all MTL Tx and Rx queues selected in the configuration.

### **25.6.5.3 Initializing MAC**

The MAC configuration registers establish the operating mode of the MAC. These registers must be initialized before initializing the DMA.

The following MAC Initialization operations can be performed after DMA initialization. If the MAC initialization is completed before the DMA is configured, enable the MAC receiver (last step in the following sequence) only after the DMA is active. Otherwise, received frames fill the Rx FIFO and overflow.

1. Provide the MAC address registers: MAC\_Address0\_High and MAC\_Address0\_Low. If more than one MAC address is enabled in your configuration, program the MAC addresses appropriately.
2. Program the following fields to set the appropriate filters for the incoming frames in the MAC\_Packet\_Filter register:
  - a. Receive All
  - b. Promiscuous mode
  - c. Hash or Perfect Filter

- d. Unicast, multicast, broadcast, and control frames filter settings
3. Program the following fields for proper flow control in the MAC\_Q0\_Tx\_Flow\_Ctrl register:
  - a. Pause time and other Pause frame control bits
  - b. Transmit Flow control bits
  - c. Flow Control Busy
4. Program the MAC\_Interrupt\_Enable register, as required, and if applicable, for your configuration.
5. Program the appropriate fields in the MAC\_Configuration register. For ex: Inter-packet gap while transmission and jabber disable.
6. Set bit 0 and 1 in MAC\_Configuration registers to start the MAC transmitter and receiver.

#### **25.6.5.4 Performing Normal Receive and Transmit Operation**

During normal operation of the GMAC, normal and transmit interrupts are read, descriptors polled, the DMA is suspended (if it does not own descriptors), and values of current host transmitter or receiver descriptor pointers are read for debugging.

For normal operation, complete the following steps:

1. For normal transmit and receive interrupts, read the interrupt status. Then, poll the descriptors, reading the status of the descriptor owned by the Host (either transmit or receive).
2. Set appropriate values for the descriptors, ensuring that transmit and receive descriptors are owned by the DMA to resume the transmission and reception of data.
3. If the descriptors are not owned by the DMA (or no descriptor is available), the DMA goes into SUSPEND state. The transmission or reception can be resumed by freeing the descriptors and writing the descriptor tail pointer to Tx/Rx tail pointer register (DMA\_CH[n]\_TxDesc\_Tail\_Pointer and DMA\_CH[n]\_RxDesc\_Tail\_Pointer).
4. The values of the current host transmitter or receiver descriptor address pointer can be read for the debug process (DMA\_CH[n]\_Current\_App\_TxDesc and DMA\_CH[n]\_Current\_App\_RxDesc).
5. The values of the current host transmit buffer address pointer and receive buffer address pointer can be read for the debug process (Register DMA\_CH[n]\_Current\_App\_TxBuffer and DMA\_CH[n]\_Current\_App\_RxBuffer)

#### **25.6.5.5 Stopping and Starting Transmission**

Complete the following steps to pause the transmission for some time.

1. Disable the Transmit DMA (if applicable) by clearing Bit 0 (ST) of DMA\_CH[#i]\_TX\_Control (for  $i = 0; i \leq \text{GMAC\_NUM\_DMA\_TX\_CH}-1$ ) Register.
2. Wait for any previous frame transmissions to complete. You can check this by reading the appropriate bits of MTL\_TxQ0\_Debug Register (TRCSTS is not 01 and TXQSTS=0).
3. Disable the MAC transmitter and MAC receiver by clearing Bit (RE) and Bit 1(TE) of the MAC\_Configuration Register.
4. Disable the Receive DMA (if applicable), after making sure that the data in the Rx FIFO is transferred to the system memory (by reading the appropriate bits of MTL\_TxQ0\_Debug Register, PRXQ=0 and RXQSTS=00).
5. Make sure that both Tx Queue and Rx Queue are empty (TXQSTS is 0 in MTL\_TxQ0\_Debug Register and RXQSTS is 0 in MTL\_RxQ0\_Debug Register).
6. To restart the operation, first start the DMAs, and then enable the MAC Transmitter and Receiver.

#### **25.6.5.6 Initialization Guidelines for System Time Generation**

You can enable the timestamp feature by setting Bit 0 of the MAC\_Timestamp\_Control Register. However, it is essential that the timestamp counter be initialized after this bit is set. Complete the following steps during GMAC initialization:

1. Mask the Timestamp Trigger interrupt by clearing the bit 16 of MAC\_Interrupt\_Enable Register.
2. Set Bit 0 of MAC\_Timestamp\_Control Register to enable timestamping.
3. Program MAC\_Sub\_Second\_Increment Register based on the PTP clock frequency.

4. If you are using the Fine Correction approach, program MAC\_Stamp\_Addend and set Bit 5 of MAC\_Stamp\_Control Register.
5. Poll the MAC\_Stamp\_Control Register until Bit 5 is cleared.
6. Program Bit 1 of MAC\_Stamp\_Control Register to select the Fine Update method (if required).
7. Program MAC\_System\_Time\_Seconds\_Update Register and MAC\_System\_Time\_Nanoseconds\_Update Register with the appropriate time value.
8. Set Bit 2 in MAC\_Stamp\_Control Register.  
The timestamp counter starts operation as soon as it is initialized with the value written in the Timestamp Update registers. If one-step timestamping is enabled
  - a. To enable one-step timestamping, program Bit 27 of the TDES3 Context Descriptor.
  - b. Program registers MAC\_Stamp\_Ingress\_Asym\_Corr and MAC\_Stamp\_Egress\_Asym\_Corr to update the correction field in PDelay\_Req PTP messages.
9. Enable the MAC receiver and transmitter for proper timestamping.

#### **25.6.5.7 Coarse Correction Method**

To synchronize or update the system time in one process (coarse correction method), complete the following steps:

1. Set the offset (positive or negative) in the Timestamp Update registers (MAC\_System\_Time\_Seconds\_Update and MAC\_System\_Time\_Nanoseconds\_Update).
2. Set Bit 3 (TSUPDT) of MAC\_Stamp\_Control Register. The value in the Timestamp Update registers is added to or subtracted from the system time when the TSUPDT bit is cleared.

#### **25.6.5.8 Programming Guidelines for TSO**

The TCP Segmentation Offload (TSO) engine is used to offload the TCP segmentation functions to the hardware. To program the TSO, set the TSE bit to enable TCP packet segmentation, and program descriptor fields to enable TSO for the current packet.

Complete the following steps to program TSO:

1. Program the TSE bit of corresponding DMA\_CH[n]\_Tx\_Control register to enable TCP packet segmentation in that DMA.
2. In addition to the normal transfer descriptor setting, the following descriptor fields must be programmed to enable TSO for the current packet:
  - a. Enable TSE in Bit 18 of TDES3
  - b. Program the length of the un-segmented TCP/IP packet payload in bits [17:0] of TDES3 and the TCP header in bits [22:19] of TDES3.
  - c. Program the maximum size of the segment in MSS of DMA\_CH[n]\_Control register or MSS in the context descriptor. If MSS field is programmed in both DMA\_CH[n]\_Control register and in the context descriptor, the latest software programmed sequence is considered.
3. The header of the unsegmented TCP/IP packet should be in Buffer 1 of the first descriptor and this buffer must not hold any payload bytes. The payload is allocated to Buffer 2 and the buffers of the subsequent descriptors.

#### **25.6.5.9 Programming Guidelines for Multi-Channel Multi-Queueing Transmit**

1. Program the Transmit queue size in the TQS field of MTL\_TxQ[n]\_Operation\_Mode register. Based on the value programmed in the TQS field, the size of the queue is determined.

In the Transmit operation, the number of channels is equal to the number of the queues. Due to this reason, the Channel-to-Queue mapping is fixed.

2. For a queue to be used, the queue needs to be enabled in TXQEN in the corresponding MTL\_TxQ[n]\_Operation\_Mode Register. In DMA configurations, the ST bit of DMA\_CH[n]\_Tx\_Control Register and corresponding TXQEN in MTL\_TxQ[n]\_Operation Mode Register needs to be enabled.
3. The scheduling method needs to be programmed in SCHALG of MTL\_Operation\_Mode register.



4. Program the MTL\_TxQ[n]\_Quantum\_Weight for DCB queue as per the selected algorithm. In case of CBS algorithm in AVB queues, the MTL\_TxQ[n]\_ETS\_Control, MTL\_TxQ[n]\_SendSlopeCredit, MTL\_TxQ[n]\_HiCredit and MTL\_TxQ[n]\_LoCredit registers also need to be programmed as required.
5. If DCB is enabled and PFC function is required, program MAC\_TxQ\_Prty\_Map0 Register to assign a fixed priority to the queue. This priority assigned is used for determining if the corresponding queue should stop transmitting packet based on the received PFC packet.

### **Receive**

1. Program the Receive queue size in the RQS field of MTL\_RxQ[n]\_Operation\_Mode Register. Based on the value programmed in RQS field, the size of the queue is determined.
2. Enable the Receive Queues 0 to 7 in the fields RXQ0EN to RXQ7EN in MAC\_RxQ\_Ctrl0 Register for AV or DCB. In DMA configurations, SR bit of statically or dynamically mapped DMA\_CH[n]\_Rx\_Control Register and corresponding RXQ[n]\_EN in MAC\_RxQ\_Ctrl0 Register needs to be enabled.
3. The MAC routes the Rx packets to the Rx Queues based on following packet types:
  - a. AV PTP Packets: Based on the programming of AVPTPQ in MAC\_RxQ\_Ctrl1 Register.
  - b. AV Untagged Control packets: Based on the programming of AVCPQ in MAC\_RxQ\_Ctrl1 Register.
  - c. Data Center Bridging (DCB) related Link Layer Discovery Protocol (LLDP) packets.  
Program DCBCPQ in MAC\_RxQ\_Ctrl1 Register to indicate to MAC which queue should get the DCB packets.
  - d. VLAN Tag Priority field in VLAN Tagged packets: Program PSRQ7-0 of the MAC\_RxQ\_Ctrl2 and MAC\_RxQ\_Ctrl3 Register for the routing of tagged packets based on the USP (user Priority) field of the received packets to the Rx Queues 0 to 7.
  - e. The AV tagged control and data packets are also routed based on PSRQ field of the MAC\_RxQ\_Ctrl2 and MAC\_RxQ\_Ctrl3 registers.
4. If multiple RX DMA channels are enabled, the following programming should be done for proper arbitration and mapping:
  - a. Program the RAA field of MTL\_Operation\_Mode register to select the arbitration algorithm to decide which RxQ is read out from the RxFIFO memory.
  - b. Program the MTL\_RxQ[n]\_Control to decide the weights and the packet arbitration for each RxQ.
  - c. If static mapping is programmed in MTL\_RxQ\_DMA\_Map[n] register (RXQ[n]DADMACH is reset to 0), bits RXQx2DMA and others need to be programmed to select the channel for which each queue is mapped.
  - d. Set RXQ[n]DADMACH bit in MTL\_RxQ\_DMA\_Map0 Register to select dynamic mapping of packets in each RxQueue.
  - e. In dynamic channel mapping, the routing of a packet to a specific RxDMA channel is decided by the value of DCS field in the lowest MAC Address Register.

### **25.6.6 Transmit Context Descriptor**

The context descriptor is used to provide the timestamps for one-step timestamp correction, VLAN Tag ID for VLAN insertion feature. The Transmit Context descriptor can be provided any time before a packet descriptor. The context is valid for the current packet and subsequent packets. The context descriptor is used to provide the timestamps for one-step timestamp correction and VLAN Tag ID for VLAN insertion feature. Write back is done on a context descriptor only to reset the OWN bit.

Table 25-13 TDES0 Context Descriptor

Bit	Name	Description
31:0	TTSL	Transmit Packet Timestamp Low For one-step correction, the driver can provide the lower 32 bits of timestamp in this descriptor word. The DMA uses this value as the low word for doing one-step timestamp correction. This field is valid only if the OSTC and TCMSSV bits of TDES3 context descriptor are set.

Table 25-14 TDES1 Context Descriptor

Bit	Name	Description
31:0	TTSH	Transmit Packet Timestamp High For one-step correction, the driver can provide the upper 32 bits of timestamp in this descriptor. The DMA uses this value as the high word for doing one-step timestamp correction. This field is valid only if the OSTC and TCMSSV bits of TDES3 context descriptor are set.

Table 25-15 TDES2 Context Descriptor

Bit	Name	Description
31:16	IVT	Inner VLAN Tag When the IVLTV bit of TDES3 context descriptor is set and the TCMSSV and OSTC bits of TDES3 context descriptor are reset, TDES2[31:16] contains the inner VLAN Tag to be inserted in the subsequent Transmit packets.
15:14	Reserved	Reserved
13:0	MSS	Maximum Segment Size When the Enable TCP Segmentation Offloading for TCP/IP Packets option is selected, the driver can provide maximum segment size in this field. This segment size is used while segmenting the TCP/IP payload. This field is valid only if the TCMSSV bit of TDES3 context descriptor is set and the OSTC bit of the TDES3 context descriptor is reset.

Table 25-16 TDES3 Context Descriptor

Bit	Name	Description
31	OWN	Own Bit When this bit is set, it indicates that the GMAC DMA owns the descriptor. When this bit is reset, it indicates that the application owns the descriptor. The DMA clears this bit immediately after the read.
30	CTXT	Context Type This bit should be set to 1'b1 for Context descriptor.
29:28	Reserved	Reserved
27	OSTC	One-Step Timestamp Correction Enable When this bit is set, the DMA performs a one-step timestamp correction with reference to the timestamp values provided in TDES0 and TDES1.
26	TCMSSV	One-Step Timestamp Correction Input or MSS Valid When this bit and the OSTC bit are set, it indicates that the Timestamp Correction input provided in TDES0 and TDES1 is valid. When the OSTC bit is reset and this bit and the TSE bit of TDES3 are set in subsequent normal descriptor, it indicates that the MSS input in TDES2 is valid.
25:24	Reserved	Reserved

Bit	Name	Description
23	DE	<p>Descriptor Error</p> <p>When this bit is set, it indicates that the descriptor content is incorrect. The DMA sets this bit during write-back while closing the context descriptor.</p> <p>Descriptor Errors can be:</p> <ul style="list-style-type: none"> <li>■ Incorrect sequence from the context descriptor. For example, a location before the first descriptor for a packet</li> <li>■ All 1s</li> <li>■ CD, LD, and FD bits set to 1</li> </ul> <p>Note 1: When Descriptor Error occurs due to All 1s or CTXT, LD, and FD bits set to 1, the Transmit DMA closes the transmit descriptor with DE and LD bits set to 1. When IOC bit in TDES2 of corresponding first descriptor is set to 1, Transmit DMA will set the TI bit in the DMA_CH#_Status Register.</p> <p>Note 2: Based on CTXT, LD, and FD bits of the transmit descriptor, the subsequent descriptor might be considered as the First Descriptor (even if FD bit is not set) and partial packet is sent.</p>
22:20	Reserved	Reserved
19:18	IVTIR	<p>Inner VLAN Tag Insert or Replace</p> <p>When this bit is set, these bits request the MAC to perform Inner VLAN tagging or un-tagging before transmitting the packets. If the packet is modified for VLAN tags, the MAC automatically recalculates and replaces the CRC bytes.</p> <p>The following list describes the values of these bits:</p> <ul style="list-style-type: none"> <li>■ 2'b00: Do not add the inner VLAN tag.</li> <li>■ 2'b01: Remove the inner VLAN tag from the packets before transmission. This option should be used only with the VLAN frames.</li> <li>■ 2'b10: Insert an inner VLAN tag with the tag value programmed in the MAC_Inner_VLAN_Incl register or context descriptor.</li> <li>■ 2'b11: Replace the inner VLAN tag in packets with the tag value programmed in the MAC_Inner_VLAN_Incl register or context descriptor. This option should be used only with the VLAN frames.</li> </ul> <p>These bits are valid when the Enable SA and VLAN Insertion on Tx and Enable Double VLAN Processing options are selected.</p>
17	IVLTV	<p>Inner VLAN Tag Valid</p> <p>When this bit is set, it indicates that the IVT field of TDES2 is valid.</p>
16	VLTV	<p>VLAN Tag Valid</p> <p>When this bit is set, it indicates that the VT field of TDES3 is valid.</p>
15:0	VT	<p>VLAN Tag</p> <p>This field contains the VLAN Tag to be inserted or replaced in the packet. This field is used as VLAN Tag only when the VLTI bit of the MAC_VLAN_Incl register is reset.</p>

### 25.6.7 Receive Descriptors

The DMA in GMAC attempts to read a descriptor only if the Tail Pointer is different from the Base Pointer or current pointer. It is recommended to have a descriptor ring with a length that can accommodate at least two complete packets received by the MAC. Otherwise, the performance of the DMA is impacted greatly because of the unavailability of the descriptors. In such situations, the Rx FIFO in MTL becomes full and starts dropping packets.

The following Receive Descriptors are present:

- Normal descriptors
- Context descriptors

All RX descriptors are prepared by the software and given to the DMA as "Normal" Descriptors with the content as shown in Receive Normal Descriptor (Read Format). The DMA reads this descriptor and after transferring a received packet (or part of) to the buffers indicated by the descriptor, the Rx DMA will close the descriptor with the corresponding

packet status. The format of this status is given in the "Receive Normal Descriptor (Write-Back Format)". For some packets, the normal descriptor bits are not enough to write the complete status. For such packets, the RX DMA writes the extended status to the next descriptor (without processing or using the Buffers/ Pointers embedded in that descriptor). The format and content of the descriptor write back is described in "Receive Context Descriptor".

**25.6.8 Receive Normal Descriptors(Read Format)**

Table 25-17 TDES0 Normal Descriptor(Read Format)

Bit	Name	Description
31:0	BUF1AP	Header or Buffer 1 Address Pointer When the SPH bit of Control register of a channel is reset, these bits indicate the physical address of Buffer 1. When the SPH bit is set, these bits indicate the physical address of Header Buffer where the Rx DMA writes the L2/L3/L4 header bytes of the received packet. The application can program a byte-aligned address for this buffer which means that the LS bits of this field can be non-zero. However, while transferring the start of packet, the DMA performs a Write operation with RDES0[1:0] (or RDES0[2:0]/[3:0] in case of 64-/128-bit configuration) as zero. However, the packet data is shifted as per actual offset as given by buffer address pointer. If the address pointer points to a buffer where the middle or last part of the packet is stored, the DMA ignores the offset address and writes to the full location as indicated by the data-width.

Table 25-18 TDES1 Normal Descriptor(Read Format)

Bit	Name	Description
31:0	Reserved or BUF1AP	In 64-bit addressing mode, this field contains the most-significant 32 bits of the Buffer 1 Address Pointer. Otherwise, this field is reserved.

Table 25-19 TDES2 Normal Descriptor(Read Format)

Bit	Name	Description
31:0	Reserved or BUF1AP	In 64-bit addressing mode, this field contains the most-significant 32 bits of the Buffer 1 Address Pointer. Otherwise, this field is reserved.

Table 25-20 TDES3 Normal Descriptor(Read Format)

Bit	Name	Description
31	OWN	Own Bit When this bit is set, it indicates that the GMAC DMA owns the descriptor. When this bit is reset, it indicates that the application owns the descriptor. The DMA clears this bit when either of the following conditions is true: <ul style="list-style-type: none"> <li>■ The DMA completes the packet reception</li> <li>■ The buffers associated with the descriptor are full</li> </ul>
30	IOC	Interrupt Enabled on Completion When this bit is set, an interrupt is issued to the application when the DMA closes this descriptor.
29:26	Reserved	Reserved
25	BUF2V	Buffer 2 Address Valid When this bit is set, it indicates to the DMA that the buffer 2 address specified in RDES2 is valid.

Bit	Name	Description
		The application must set this bit so that the DMA can use the address, to which the Buffer 2 address in RDES2 is pointing, to write received packet data.
24	BUF1V	Buffer 1 Address Valid When set, this indicates to the DMA that the buffer 1 address specified in RDES1 is valid. The application must set this value if the address pointed to by Buffer 1 address in RDES1 can be used by the DMA to write received packet data.
23:0	Reserved	Reserved

### 25.6.9 Receive Normal Descriptors(Write-Back Format)

Table 25-21 TDES0 Normal Descriptor(Write-Back Format)

Bit	Name	Description
31:16	IVT	Inner VLAN Tag This field contains the Inner VLAN tag of the received packet if the RS0V bit of RDES3 is set. This is valid only when Double VLAN tag processing and VLAN tag stripping are enabled.
15:0	OVT	Outer VLAN Tag This field contains the Outer VLAN tag of the received packet if the RS0V bit of RDES3 is set.

Table 25-22 TDES1 Normal Descriptor(Write-Back Format)

Bit	Name	Description
31:16	OPC	OAM Sub-Type Code, or MAC Control Packet opcode OAM Sub-Type Code If Bits[18:16] of RDES3 are set to 3'b111, this field contains the OAM sub-type and code fields. MAC Control Packet opcode If Bits[18:16] of RDES3 are set to 3'b110, this field contains the MAC Control packet opcode field.
15	TD	Timestamp Dropped This bit indicates that the timestamp was captured for this packet but it got dropped in the MTL Rx FIFO because of overflow. This bit is available only when you select the Timestamp feature. Otherwise, this bit is reserved.
14	TSA	Timestamp Available When Timestamp is present, this bit indicates that the timestamp value is available in a context descriptor word 2 (RDES2) and word 1(RDES1). This is valid only when the Last Descriptor bit (RDES3 [28]) is set. The context descriptor is written in the next descriptor just after the last normal descriptor for a packet.
13	PV	PTP Version This bit indicates that the received PTP message has the IEEE 1588 version 2 format. When this bit is reset, it indicates the IEEE 1588 version 1 format. This bit is available only when you select the Timestamp feature. Otherwise, this bit is reserved.
12	PFT	PTP Packet Type This bit indicates that the PTP message is sent directly over Ethernet. This bit is available only when you select the Timestamp feature. Otherwise, this bit is reserved.
11:8	PMT	PTP Message Type These bits are encoded to give the type of the message received: ■ 0000: No PTP message received

Bit	Name	Description
		<ul style="list-style-type: none"> <li>■ 0001: SYNC (all clock types)</li> <li>■ 0010: Follow_Up (all clock types)</li> <li>■ 0011: Delay_Req (all clock types)</li> <li>■ 0100: Delay_Resp (all clock types)</li> <li>■ 0101: Pdelay_Req (in peer-to-peer transparent clock)</li> <li>■ 0110: Pdelay_Resp (in peer-to-peer transparent clock)</li> <li>■ 0111: Pdelay_Resp_Follow_Up (in peer-to-peer transparent clock)</li> <li>■ 1000: Announce</li> <li>■ 1001: Management</li> <li>■ 1010: Signaling</li> <li>■ 1011–1110: Reserved</li> <li>■ 1111: PTP packet with Reserved message type</li> </ul> <p>These bits are available only when you select the Timestamp feature.</p>
7	IPCE	<p>IP Payload Error</p> <p>When this bit is set, it indicates either of the following:</p> <ul style="list-style-type: none"> <li>■ The 16-bit IP payload checksum (that is, the TCP, UDP, or ICMP checksum) calculated by the MAC does not match the corresponding checksum field in the received segment.</li> <li>■ The TCP, UDP, or ICMP segment length does not match the payload length value in the IP Header field.</li> <li>■ The TCP, UDP, or ICMP segment length is less than minimum allowed segment length for TCP, UDP, or ICMP.</li> </ul> <p>Bit 15 (ES) of RDES3 is not set when this bit is set.</p>
6	IPCB	<p>IP Checksum Bypassed</p> <p>This bit indicates that the checksum offload engine is bypassed. This bit is available when you select the Enable Receive TCP/IP Checksum Check feature.</p>
5	IPV6	<p>IPv6 header Present</p> <p>This bit indicates that an IPV6 header is detected. When the Enable Split Header Feature option is selected and the SPH bit of Control Register of a channel is set, the IPV6 header is available in the header buffer area to which RDES0 is pointing.</p>
4	IPV4	<p>IPv4 Header Present</p> <p>This bit indicates that an IPV4 header is detected. When the SPH bit of RDES3 is set, the IPV4 header is available in the header buffer area to which RDES0 is pointing.</p>
3	IPHE	<p>IP Header Error</p> <p>When this bit is set, it indicates either of the following:</p> <ul style="list-style-type: none"> <li>■ The 16-bit IPv4 header checksum calculated by the MAC does not match the received checksum bytes.</li> <li>■ The IP datagram version is not consistent with the Ethernet Type value.</li> <li>■ Ethernet packet does not have the expected number of IP header bytes.</li> </ul> <p>This bit is valid when either Bit 5 or Bit 4 is set. This bit is available when you select the Enable Receive TCP/IP Checksum Check feature.</p>
2:0	PT	<p>Payload Type</p> <p>These bits indicate the type of payload encapsulated in the IP datagram processed by the Receive Checksum Offload Engine (COE):</p> <ul style="list-style-type: none"> <li>■ 3'b000: Unknown type or IP/AV payload not processed</li> <li>■ 3'b001: UDP</li> <li>■ 3'b010: TCP</li> <li>■ 3'b011: ICMP</li> <li>■ 3'b110: AV Tagged Data Packet</li> <li>■ 3'b111: AV Tagged Control Packet</li> <li>■ 3'b101: AV Untagged Control Packet</li> </ul>

Bit	Name	Description
		<ul style="list-style-type: none"> <li>■ 3'b100: IGMP if IPV4 Header Present bit is set else DCB (LLDP) Control Packet</li> </ul> If the COE does not process the payload of an IP datagram because there is an IP header error or fragmented IP, it sets these bits to 3'b000.

Table 25-23 TDES2 Normal Descriptor(Write-Back Format)

Bit	Name	Description
31:29	L3L4FM	Layer 3 and Layer 4 Filter Number Matched These bits indicate the number of the Layer 3 and Layer 4 Filter that matched the received packet: <ul style="list-style-type: none"> <li>■ 000: Filter 0</li> <li>■ 001: Filter 1</li> <li>■ 010: Filter 2</li> <li>■ 011: Filter 3</li> <li>■ 100: Filter 4</li> <li>■ 101: Filter 5</li> <li>■ 110: Filter 6</li> <li>■ 111: Filter 7</li> </ul> This field is valid only when Bit 28 or Bit 27 is set high. When more than one filter matches, these bits give the number of lowest filter. Note: This status is not available when Flexible RX Parser is enabled.
28	L4FM	Layer 4 Filter Match When this bit is set, it indicates that the received packet matches one of the enabled Layer 4 Port Number fields. This status is given only when one of the following conditions is true: <ul style="list-style-type: none"> <li>■ Layer 3 fields are not enabled and all enabled Layer 4 fields match</li> <li>■ All enabled Layer 3 and Layer 4 filter fields match</li> </ul> When more than one filter matches, this bit gives the layer 4 filter status of filter indicated by Bits[31:29]. Note: This status is not available when Flexible RX Parser is enabled.
27	L3FM	Layer 3 Filter Match When this bit is set, it indicates that the received packet matches one of the enabled Layer 3 IP Address fields. This status is given only when one of the following conditions is true: <ul style="list-style-type: none"> <li>■ All enabled Layer 3 fields match and all enabled Layer 4 fields are bypassed</li> <li>■ All enabled filter fields match</li> </ul> When more than one filter matches, this bit gives the layer 3 filter status of filter indicated by Bits[31:29]. Note: This status is not available when Flexible RX Parser is enabled.
26:19	MADRM	MAC Address Match or Hash Value When the HF bit is reset, this field contains the MAC address register number that matched the Destination address of the received packet. This field is valid only if the DAF bit is reset. When the HF bit is set, this field contains the hash value computed by the MAC. A packet passes the hash filter when the bit corresponding to the hash value is set in the hash filter register. Note: This status is not available when Flexible RX Parser is enabled.
18	HF	Hash Filter Status When this bit is set, it indicates that the packet passed the MAC address hash filter. Bits[26:19] indicate the hash value. Note: This status is not available when Flexible RX Parser is enabled.
17	DAF/RXPI	Destination Address Filter Fail When Flexible RX Parser is disabled, and this bit is set, it indicates that the packet failed the DA Filter in the MAC.

Bit	Name	Description
		When Flexible RX Parser is enabled, this bit is set to indicate that the packet parsing is incomplete (RXPI) due to ECC error. Note: When this bit is set, ES bit of RDES3 is also set.
16	SAF/RXPD	SA Address Filter Fail When Flexible RX Parser is disabled, and this bit is set, it indicates that the packet failed the SA Filter in the MAC. When Flexible RX Parser is enabled, this bit is set to indicate that the packet is dropped (RXPD) by the parser. Note: When this bit is set, ES bit of RDES3 is also set.
15	OTS	VLAN Filter Status When set, this bit indicates that the VLAN Tag of the received packet passed the VLAN filter. This bit is valid only when GMAC_ERVFE is not enabled. If GMAC_ERVFE is enabled, the bit is redefined as Outer VLAN Tag Filter Status (OTS). This bit is valid for both Single and Double VLAN Tagged frames.
14	ITS	Inner VLAN Tag Filter Status (ITS) This bit is valid only when GMAC_ERVFE is enabled. This bit is valid only for Double VLAN Tagged frames, when Double VLAN Processing is enabled. For more information, see the Filter Status topic.
13:11	Reserved	Reserved
10	ARPNR	ARP Reply Not Generated When this bit is set, it indicates that the MAC did not generate the ARP Reply for received ARP Request packet. This bit is set when the MAC is busy transmitting ARP reply to earlier ARP request (only one ARP request is processed at a time). This bit is reserved when the Enable IPv4 ARP Offload option is not selected.
9:0	HL	L3/L4 Header Length This field contains the length of the header of the packet split by the MAC at L3 or L4 header boundary as identified by the MAC receiver. This field is valid only when the first descriptor bit is set (FD = 1). The header data is written to the Buffer 1 address of corresponding descriptor. If header length is zero, this field is not valid. It implies that the MAC did not identify and split the header. This field is valid when the Enable Split Header Feature option is selected.

Table 25-24 TDES3 Normal Descriptor(Write-Back Format)

Bit	Name	Description
31	OWN	Own Bit When this bit is set, it indicates that the GMAC DMA owns the descriptor. When this bit is reset, it indicates that the application owns the descriptor. The DMA clears this bit when either of the following conditions is true: <ul style="list-style-type: none"> <li>■ The DMA completes the packet reception</li> <li>■ The buffers associated with the descriptor are full</li> </ul>
30	CTXT	Receive Context Descriptor When this bit is set, it indicates that the current descriptor is a context type descriptor. The DMA writes 1'b0 to this bit for normal receive descriptor. When CTXT and FD bits are used together, {CTXT, FD} <ul style="list-style-type: none"> <li>■ 2'b00: Intermediate Descriptor</li> <li>■ 2'b01: First Descriptor</li> <li>■ 2'b10: Reserved</li> </ul>



Bit	Name	Description
		<p>■ 2'b11: Descriptor Error (due to all 1s)</p> <p>Note: When Descriptor Error occurs, the Receive DMA closes the receive descriptor indicating Descriptor Error. This receive descriptor is skipped and the buffer addresses are not used to write the packet data Receive DMA will set the CDE bit in DMA_CH#_Status register but not the RI bit even when IOC is set, as this is not marked as last receive descriptor for the packet. The subsequent valid receive descriptor is used to write the packet data.</p>
29	FD	<p>First Descriptor</p> <p>When this bit is set, it indicates that this descriptor contains the first buffer of the packet. If the size of the first buffer is 0, the second buffer contains the beginning of the packet. If the size of the second buffer is also 0, the next descriptor contains the beginning of the packet. See the CTXT bit description for details of using the CTXT bit and FD bit together.</p>
28	LD	<p>Last Descriptor</p> <p>When this bit is set, it indicates that the buffers to which this descriptor is pointing are the last buffers of the packet.</p>
27	RS2V	<p>Receive Status RDES2 Valid</p> <p>When this bit is set, it indicates that the status in RDES2 is valid and it is written by the DMA. This bit is valid only when the LD bit of RDES3 is set.</p>
26	RS1V	<p>Receive Status RDES1 Valid</p> <p>When this bit is set, it indicates that the status in RDES1 is valid and it is written by the DMA. This bit is valid only when the LD bit of RDES3 is set.</p>
25	RS0V	<p>Receive Status RDES0 Valid</p> <p>When this bit is set, it indicates that the status in RDES0 is valid and it is written by the DMA. This bit is valid only when the LD bit of RDES3 is set.</p>
24	CE	<p>CRC Error</p> <p>When this bit is set, it indicates that a Cyclic Redundancy Check (CRC) Error occurred on the received packet. This field is valid only when the LD bit of RDES3 is set.</p>
23	GP	<p>Giant Packet</p> <p>When this bit is set, it indicates that the packet length exceeds the specified maximum Ethernet size of 1518, 1522, or 2000 bytes (9018 or 9022 bytes if jumbo packet enable is set).</p> <p>Note: Giant packet indicates only the packet length. It does not cause any packet truncation.</p>
22	RWT	<p>Receive Watchdog Timeout</p> <p>When this bit is set, it indicates that the Receive Watchdog Timer has expired while receiving the current packet. The current packet is truncated after watchdog timeout.</p>
21	OE	<p>Overflow Error</p> <p>When this bit is set, it indicates that the received packet is damaged because of buffer overflow in Rx FIFO.</p> <p>Note: This bit is set only when the DMA transfers a partial packet to the application. This happens only when the Rx FIFO is operating in the threshold mode. In the store-and-forward mode, all partial packets are dropped completely in Rx FIFO.</p>
20	RE	<p>Receive Error</p> <p>When this bit is set, it indicates that the gmii_rxr_i signal is asserted while the gmii_rxdv_i signal is asserted during packet reception. This error also includes carrier extension error in the GMII and half-duplex</p>

Bit	Name	Description
		mode. Error can be of less or no extension, or error (rxd!= 0f) during extension.
19	DE	Dribble Bit Error When this bit is set, it indicates that the received packet has a non-integer multiple of bytes (odd nibbles). This bit is valid only in the MII Mode.
18:16	LT	Length/Type Field This field indicates if the packet received is a length packet or a type packet. The encoding of the 3 bits is as follows: <ul style="list-style-type: none"> <li>■ 3'b000: The packet is a length packet</li> <li>■ 3'b001: The packet is a type packet.</li> <li>■ 3'b011: The packet is a ARP Request packet type</li> <li>■ 3'b100: The packet is a type packet with VLAN Tag</li> <li>■ 3'b101: The packet is a type packet with Double VLAN Tag</li> <li>■ 3'b110: The packet is a MAC Control packet type</li> <li>■ 3'b111: The packet is a OAM packet type</li> <li>■ 3'b010: Reserved</li> </ul>
15	ES	Error Summary When this bit is set, it indicates the logical OR of the following bits: <ul style="list-style-type: none"> <li>■ RDES3[24]: CRC Error</li> <li>■ RDES3[19]: Dribble Error</li> <li>■ RDES3[20]: Receive Error</li> <li>■ RDES3[22]: Watchdog Timeout</li> <li>■ RDES3[21]: Overflow Error</li> <li>■ RDES3[23]: Giant Packet</li> <li>■ RDES2[17]: Destination Address Filter Fail, when Flexible RX Parser is enabled</li> <li>■ RDES2[16]: SA Address Filter Fail, when Flexible RX Parser is enabled</li> </ul> This field is valid only when the LD bit of RDES3 is set.
14	PL	Packet Length These bits indicate the byte length of the received packet that was transferred to system memory (including CRC). This field is valid when the LD bit of RDES3 is set and Overflow Error bits are reset. The packet length also includes the two bytes appended to the Ethernet packet when IP checksum calculation is enabled and the received packet is not a MAC control packet. This field is valid when the LD bit of RDES3 is set. When the Last Descriptor and Error Summary bits are not set, this field indicates the accumulated number of bytes that have been transferred for the current packet.

**25.6.10 Receive Context Descriptor**

This descriptor is read-only for the application. Only the DMA can write to this descriptor. The context descriptor provides information about the extended status related to the last received packet. The Bit 30 of RDES3 indicates the context type descriptor.

Table 25-25 TDES0 Context Descriptor

Bit	Name	Description
31:0	RSTL	Receive Packet Timestamp Low The DMA updates this field with least significant 32 bits of the timestamp captured for corresponding Receive packet. When this field and the RTSH field of RDES1 show all-ones value, the timestamp must be considered as corrupt.

Table 25-26 TDES1 Context Descriptor

Bit	Name	Description
31:0	RSTH	Receive Packet Timestamp High The DMA updates this field with most significant 32 bits of the timestamp captured for corresponding receive packet. When this field and the RTSL field of RDES0 show all-ones value, the timestamp must be considered as corrupt.

Table 25-27 TDES2 Context Descriptor

Bit	Name	Description
31:0	Reserved	Reserved

Table 25-28 TDES3 Context Descriptor

Bit	Name	Description
31	OWN	Own Bit When this bit is set, it indicates that the DMA owns the descriptor. When this bit is reset, it indicates that the application owns the descriptor. The DMA clears this bit when either of the following conditions is true: <ul style="list-style-type: none"> <li>■ The DMA completes the packet reception</li> <li>■ The buffers associated with the descriptor are full</li> </ul>
30	CTXT	Receive Context Descriptor When this bit is set, it indicates that the current descriptor is a context descriptor. The DMA writes 1'b1 to this bit for context descriptor. DMA writes 2'b11 to indicate a descriptor error due to all 1s. When CTXT and DE bits are used together, {CTXT, DE} <ul style="list-style-type: none"> <li>■ 2'b00: Reserved</li> <li>■ 2'b01: Reserved</li> <li>■ 2'b10: Context Descriptor</li> <li>■ 2'b11: Descriptor Error</li> </ul> Note: When Descriptor Error occurs, the Receive DMA closes the receive descriptor indicating Descriptor Error. This receive descriptor is skipped and the buffer addresses are not used to write the packet data Receive DMA will set the CDE bit in DMA_CH#_Status register but not the RI bit even when IOC is set, as this is not marked as last receive descriptor for the packet. The subsequent valid receive descriptor is used to write the packet data.
29	DE	Descriptor Error See the CTXT bit description for details of using the DE bit along with CTXT bit.
28:0	Reserved	Reserved

**25.6.11 Clock Architecture**

In RMII mode, reference clock and TX/RX clock can be from CRU or external OSC as following figure. The mux selecting rmii\_speed is PHP\_GRF\_CLK\_CON1[2]/PHP\_GRF\_CLK\_CON1[7].

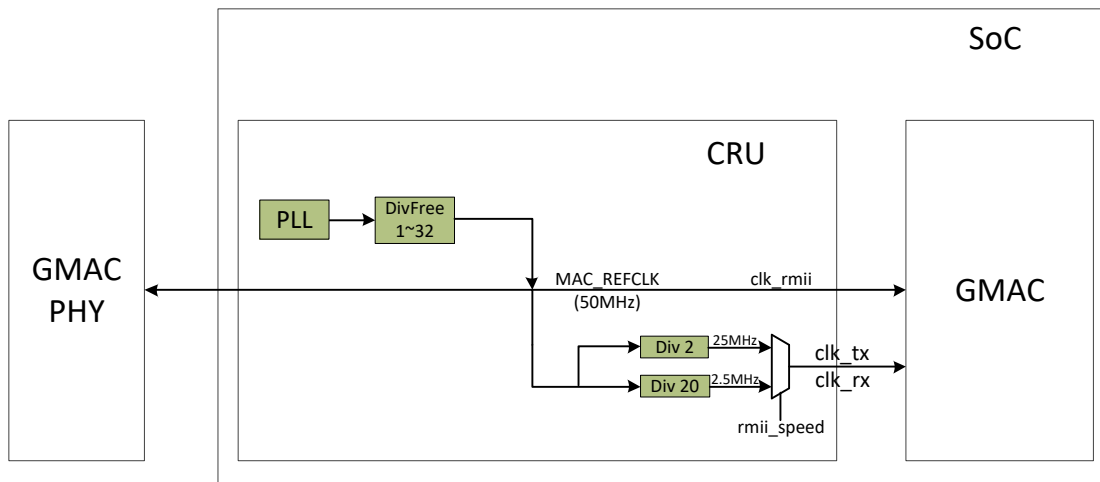


Fig. 25-11 RMIIClock Architecture When Clock Source From CRU

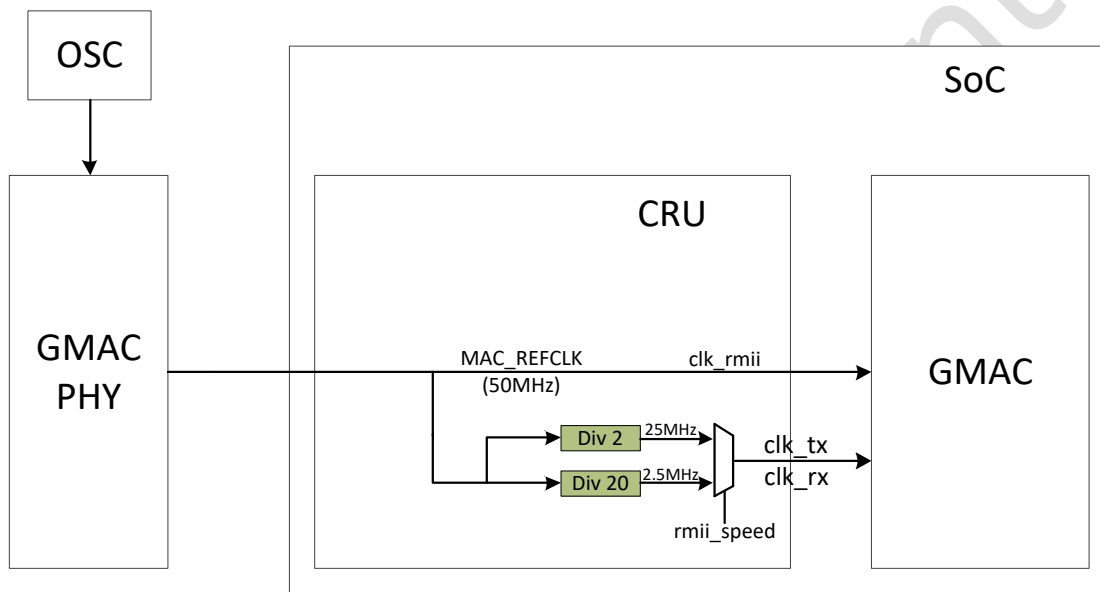


Fig. 25-12 RMIIClock Architecture When Clock Source From External OSC

In RGMII mode, clock architecture only supports that TX clock source is from CRU as following figure. In order to dynamically adjust the timing between TX/RX clocks with data, delayline is integrated in TX and RX clock path. Register SYS\_GRF\_SOC\_CON7[5:2] can enable the delayline and SYS\_GRF\_SOC\_CON8[15:0]/SYS\_GRF\_SOC\_CON9[15:0] is used to determine the delay length. There are 200 delay elements in each delayline.

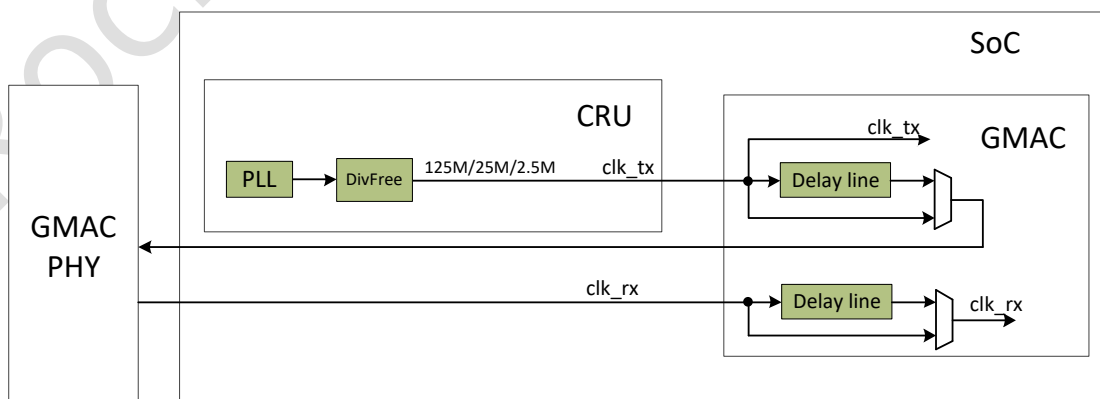


Fig. 25-13 RGMII Clock Architecture When Clock Source From CRU

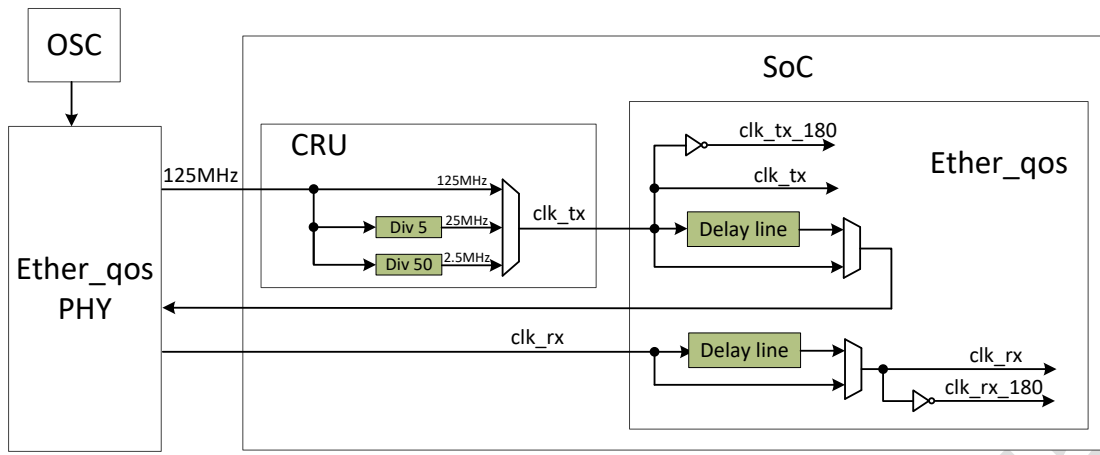


Fig. 25-14 RGMII Clock Architecture When Clock Source From External OSC

## Chapter 26 SAR-ADC

### 26.1 Overview

The ADC is an 8-channel single-ended 12-bit Successive Approximation Register (SAR) A/D Converter. It uses the supply and ground as its reference which avoid the use of any external reference. It converts the analog input signal into 12-bit binary digital codes at maximum conversion rate of 1MSPS with 20MHz A/D converter clock. The input range is typically 0V to 1.8V.

SAR-ADC controller supports the following features:

- Support single mode and series conversion mode.
- In single mode, the conversion operates once each software access.
- In series conversion, controller samples each channel then loops until software stop conversion.
- High/low threshold can be set, higher/lower/between high-low-threshold interrupt can be enabled

### 26.2 Block Diagram

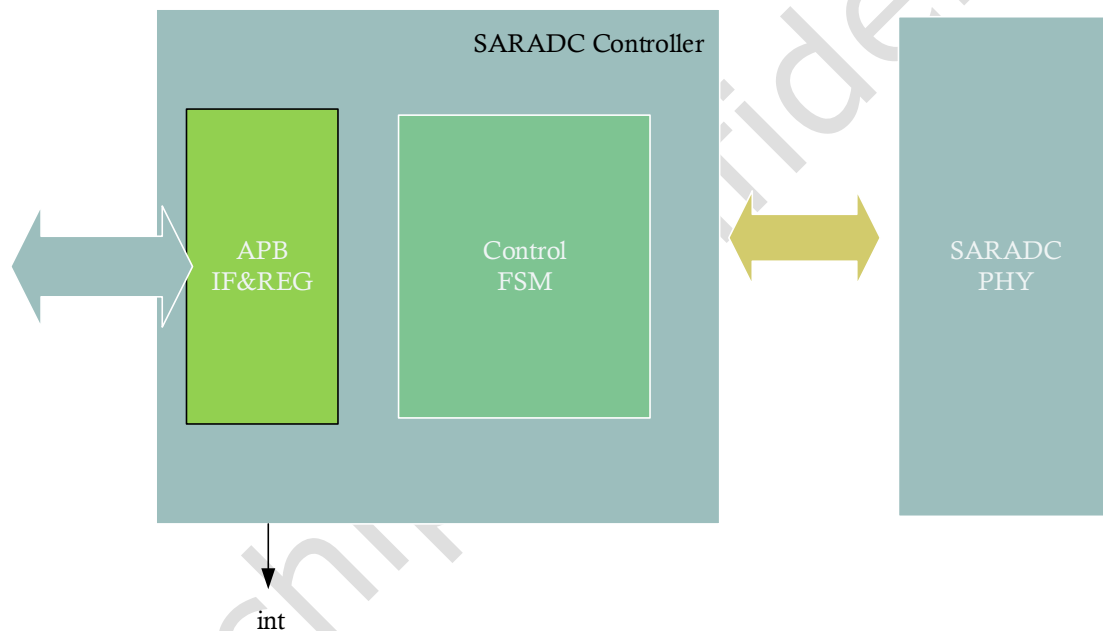


Fig. 26-1 SAR-ADC Block Diagram

SAR-ADC block shows in Fig.1-1. This includes:

- APB Interface
- Control FSM
- SAR-ADC PHY

Software can configure SAR-ADC controller by APB interface, then the inter FSM will communicate with SAR-ADC PHY for limited timing request.

### 26.3 Function Description

SAR-ADC block includes controller and PHY, user cannot directly access SAR-ADC PHY. Software access the SAR-ADC through SAR-ADC controller by APB interface. SAR-ADC controller will sample the conversion result from SAR-ADC PHY.

### 26.4 Register Description

#### 26.4.1 Registers Summary

Name	Offset	Size	Reset Value	Description
SARADC_CONV_CON	0x0000	W	0x00000000	Conversion control

<b>Name</b>	<b>Offset</b>	<b>Size</b>	<b>Reset Value</b>	<b>Description</b>
<u>SARADC T PD SOC</u>	0x0004	W	0x00026000	Timing control for PD to SOC
<u>SARADC T AS SOC</u>	0x0008	W	0x00000005	Timing control for assert SOC
<u>SARADC T DAS SOC</u>	0x000C	W	0x00000007	Timing control from dis-assert SOC to change channel
<u>SARADC T SEL SOC</u>	0x0010	W	0x00000003	Timing control from change channel sel to assert SOC
<u>SARADC HIGH COMP0</u>	0x0014	W	0x00000000	High threshold for ADC output data
<u>SARADC HIGH COMP1</u>	0x0018	W	0x00000000	High threshold for ADC output data
<u>SARADC HIGH COMP2</u>	0x001C	W	0x00000000	High threshold for ADC output data
<u>SARADC HIGH COMP3</u>	0x0020	W	0x00000000	High threshold for ADC output data
<u>SARADC HIGH COMP4</u>	0x0024	W	0x00000000	High threshold for ADC output data
<u>SARADC HIGH COMP5</u>	0x0028	W	0x00000000	High threshold for ADC output data
<u>SARADC HIGH COMP7</u>	0x0030	W	0x00000000	High threshold for ADC output data
<u>SARADC HIGH COMP8</u>	0x0034	W	0x00000000	High threshold for ADC output data
<u>SARADC HIGH COMP9</u>	0x0038	W	0x00000000	High threshold for ADC output data
<u>SARADC HIGH COMP10</u>	0x003C	W	0x00000000	High threshold for ADC output data
<u>SARADC HIGH COMP11</u>	0x0040	W	0x00000000	High threshold for ADC output data
<u>SARADC HIGH COMP12</u>	0x0044	W	0x00000000	High threshold for ADC output data
<u>SARADC HIGH COMP13</u>	0x0048	W	0x00000000	High threshold for ADC output data
<u>SARADC HIGH COMP14</u>	0x004C	W	0x00000000	High threshold for ADC output data
<u>SARADC HIGH COMP15</u>	0x0050	W	0x00000000	High threshold for ADC output data
<u>SARADC LOW COMP0</u>	0x0054	W	0x00000000	Low threshold for ADC output data
<u>SARADC LOW COMP1</u>	0x0058	W	0x00000000	Low threshold for ADC output data
<u>SARADC LOW COMP2</u>	0x005C	W	0x00000000	Low threshold for ADC output data
<u>SARADC LOW COMP3</u>	0x0060	W	0x00000000	Low threshold for ADC output data
<u>SARADC LOW COMP4</u>	0x0064	W	0x00000000	Low threshold for ADC output data
<u>SARADC LOW COMP5</u>	0x0068	W	0x00000000	Low threshold for ADC output data
<u>SARADC LOW COMP6</u>	0x006C	W	0x00000000	Low threshold for ADC output data
<u>SARADC LOW COMP7</u>	0x0070	W	0x00000000	Low threshold for ADC output data

Name	Offset	Size	Reset Value	Description
<u>SARADC_LOW_COMP8</u>	0x0074	W	0x00000000	Low threshold for ADC output data
<u>SARADC_LOW_COMP9</u>	0x0078	W	0x00000000	Low threshold for ADC output data
<u>SARADC_LOW_COMP10</u>	0x007C	W	0x00000000	Low threshold for ADC output data
<u>SARADC_LOW_COMP11</u>	0x0080	W	0x00000000	Low threshold for ADC output data
<u>SARADC_LOW_COMP12</u>	0x0084	W	0x00000000	Low threshold for ADC output data
<u>SARADC_LOW_COMP13</u>	0x0088	W	0x00000000	Low threshold for ADC output data
<u>SARADC_LOW_COMP14</u>	0x008C	W	0x00000000	Low threshold for ADC output data
<u>SARADC_LOW_COMP15</u>	0x0090	W	0x00000000	Low threshold for ADC output data
<u>SARADC_DEBOUNCE</u>	0x0094	W	0x00000003	Threshold debounce
<u>SARADC_HT_INT_EN</u>	0x0098	W	0x00000000	High threshold int enable
<u>SARADC_LT_INT_EN</u>	0x009C	W	0x00000000	Low threshold int enable
<u>SARADC_MT_INT_EN</u>	0x0100	W	0x00000000	Middle threshold int enable
<u>SARADC_END_INT_EN</u>	0x0104	W	0x00000000	End conversion int enable
<u>SARADC_ST_CON</u>	0x0108	W	0x0000001C	ADC static control
<u>SARADC_STATUS</u>	0x010C	W	0x00000002	ADC status
<u>SARADC_END_INT_ST</u>	0x0110	W	0x00000000	End conversion int state
<u>SARADC_HT_INT_ST</u>	0x0114	W	0x00000000	High threshold int state
<u>SARADC_LT_INT_ST</u>	0x0118	W	0x00000000	Low threshold int state
<u>SARADC_MT_INT_ST</u>	0x011C	W	0x00000000	Middle threshold int state
<u>SARADC_DATA0</u>	0x0120	W	0x00000000	ADC output data
<u>SARADC_DATA1</u>	0x0124	W	0x00000000	ADC output data
<u>SARADC_DATA2</u>	0x0128	W	0x00000000	ADC output data
<u>SARADC_DATA3</u>	0x012C	W	0x00000000	ADC output data
<u>SARADC_DATA4</u>	0x0130	W	0x00000000	ADC output data
<u>SARADC_DATA5</u>	0x0134	W	0x00000000	ADC output data
<u>SARADC_DATA6</u>	0x0138	W	0x00000000	ADC output data
<u>SARADC_DATA7</u>	0x013C	W	0x00000000	ADC output data
<u>SARADC_DATA8</u>	0x0140	W	0x00000000	ADC output data
<u>SARADC_DATA9</u>	0x0144	W	0x00000000	ADC output data
<u>SARADC_DATA10</u>	0x0148	W	0x00000000	ADC output data
<u>SARADC_DATA11</u>	0x014C	W	0x00000000	ADC output data
<u>SARADC_DATA12</u>	0x0150	W	0x00000000	ADC output data
<u>SARADC_DATA13</u>	0x0154	W	0x00000000	ADC output data
<u>SARADC_DATA14</u>	0x0158	W	0x00000000	ADC output data
<u>SARADC_DATA15</u>	0x015C	W	0x00000000	ADC output data
<u>SARADC_AUTO_CH_EN</u>	0x0160	W	0x00000000	Channel enable in auto channel mode

Notes: **B**- Byte (8 bits) access, **HW**- Half WORD (16 bits) access, **W**-WORD (32 bits) access, **DW**- Double WORD (64 bits) access

## 26.4.2 Detail Register Description

### **SARADC\_CONV\_CON**

Address: Operational Base + offset (0x0000)



Bit	Attr	Reset Value	Description
31:16	WO	0x0000	write_enable Write enable for lower 16bits, each bit is individual. 1'b0: Write access disable 1'b1: Write access enable
15:10	RO	0x00	reserved
9	RW	0x0	int_lock This is used to lock the sample data when interrupt happened. 1'b1: Enable lock. 1'b0: Disable lock.
8	RW	0x0	as_pd_mode If this bit is set to 1'b1, each time conversion ends, PD will be asserted. Then next time conversion starts, PD will be set to low auto automaticly. This is not used in single mode.
7	W1 C	0x0	end_conv End conversion, this is not used when CONV_CON[5] is set to 1'b1. If this bit set to 1'b1, PD will set to 1'b1 after the last conversion and this bit will be cleared to 1'b0.
6	RW	0x0	auto_channel_mode Auto channel mode. If this is enable, channel will be round auto according which is set in AUTO_CH_EN.
5	RW	0x0	single_pd_mode Single conversion mode. If this bit is set to 1, conversion only operate once, then PD single will be set to 1.
4	W1 C	0x0	start_adc Enable ADC, if this bit set to one, conversion will start. Then this bit will be clear to 0.
3:0	RW	0x0	channel_sel Channel for SARADC, 8 channels are supported. This filed is not used when CONV_CON[6] is set to 1. 4'd0: sel channel 0. 4'd1: sel channel 1. 4'd2: sel channel 2. 4'd3: sel channel 3. 4'd4: sel channel 4. 4'd5: sel channel 5. 4'd6: sel channel 6. 4'd7: sel channel 7.

**SARADC T PD SOC**

Address: Operational Base + offset (0x0004)

Bit	Attr	Reset Value	Description
31:21	RO	0x000	reserved
7:0	RW	0x13	t_pd_soc Timing control between power up to start-of-conversion.

**SARADC T AS SOC**

Address: Operational Base + offset (0x0008)

Bit	Attr	Reset Value	Description
31:0	RW	0x00000005	t_as_soc Timing control for assert SOC signal.

**SARADC T DAS SOC**

Address: Operational Base + offset (0x000C)

Bit	Attr	Reset Value	Description
31:0	RW	0x00000007	t_das_soc Timing from dis-assret SOC to channel sel change.

**SARADC T SEL SOC**

Address: Operational Base + offset (0x0010)

Bit	Attr	Reset Value	Description
31:16	RO	0x0000	reserved
15:0	RW	0x0003	t_sel_soc Timing from channel load to SOC assert.

**SARADC HIGH COMP0**

Address: Operational Base + offset (0x0014)

Bit	Attr	Reset Value	Description
31:12	RO	0x00000	reserved
11:0	RW	0x000	high_comp0 High threshold for ADC output data for channel 0.

**SARADC HIGH COMP1**

Address: Operational Base + offset (0x0018)

Bit	Attr	Reset Value	Description
31:12	RO	0x00000	reserved
11:0	RW	0x000	high_comp1 High threshold for ADC output data for channel 1.

**SARADC HIGH COMP2**

Address: Operational Base + offset (0x001C)

Bit	Attr	Reset Value	Description
31:12	RO	0x00000	reserved
11:0	RW	0x000	high_comp2 High threshold for ADC output data for channel 2.

**SARADC HIGH COMP3**

Address: Operational Base + offset (0x0020)

Bit	Attr	Reset Value	Description
31:12	RO	0x00000	reserved
11:0	RW	0x000	high_comp3 High threshold for ADC output data for channel 3.

**SARADC HIGH COMP4**

Address: Operational Base + offset (0x0024)

Bit	Attr	Reset Value	Description
31:12	RO	0x00000	reserved
11:0	RW	0x000	high_comp4 High threshold for ADC output data for channel 4.

**SARADC HIGH COMP5**

Address: Operational Base + offset (0x0028)

Bit	Attr	Reset Value	Description
31:12	RO	0x00000	reserved
11:0	RW	0x000	high_comp5 High threshold for ADC output data for channel 5.

**SARADC HIGH COMP7**

Address: Operational Base + offset (0x0030)

**RKRK3588 TRM-Part1**

Bit	Attr	Reset Value	Description
31:12	RO	0x00000	reserved
11:0	RW	0x000	high_comp7 High threshold for ADC output data for channel 7.

**SARADC HIGH COMP8**

Address: Operational Base + offset (0x0034)

Bit	Attr	Reset Value	Description
31:12	RO	0x00000	reserved
11:0	RW	0x000	high_comp8 Not used in this application.

**SARADC HIGH COMP9**

Address: Operational Base + offset (0x0038)

Bit	Attr	Reset Value	Description
31:12	RO	0x00000	reserved
11:0	RW	0x000	high_comp9 Not used in this application.

**SARADC HIGH COMP10**

Address: Operational Base + offset (0x003C)

Bit	Attr	Reset Value	Description
31:12	RO	0x00000	reserved
11:0	RW	0x000	high_comp10 Not used in this application.

**SARADC HIGH COMP11**

Address: Operational Base + offset (0x0040)

Bit	Attr	Reset Value	Description
31:12	RO	0x00000	reserved
11:0	RW	0x000	high_comp11 Not used in this application.

**SARADC HIGH COMP12**

Address: Operational Base + offset (0x0044)

Bit	Attr	Reset Value	Description
31:12	RO	0x00000	reserved
11:0	RW	0x000	high_comp12 Not used in this application.

**SARADC HIGH COMP13**

Address: Operational Base + offset (0x0048)

Bit	Attr	Reset Value	Description
31:12	RO	0x00000	reserved
11:0	RW	0x000	high_comp13 Not used in this application.

**SARADC HIGH COMP14**

Address: Operational Base + offset (0x004C)

Bit	Attr	Reset Value	Description
31:12	RO	0x00000	reserved
11:0	RW	0x000	high_comp14 Not used in this application.

**SARADC HIGH COMP15**

**RKRK3588 TRM-Part1**

Address: Operational Base + offset (0x0050)

Bit	Attr	Reset Value	Description
31:12	RO	0x00000	reserved
11:0	RW	0x000	high_comp15 Not used in this application.

**SARADC LOW COMP0**

Address: Operational Base + offset (0x0054)

Bit	Attr	Reset Value	Description
31:12	RO	0x00000	reserved
11:0	RW	0x000	low_comp0 Low threshold for ADC output data for channel 0.

**SARADC LOW COMP1**

Address: Operational Base + offset (0x0058)

Bit	Attr	Reset Value	Description
31:12	RO	0x00000	reserved
11:0	RW	0x000	low_comp1 Low threshold for ADC output data for channel 1.

**SARADC LOW COMP2**

Address: Operational Base + offset (0x005C)

Bit	Attr	Reset Value	Description
31:12	RO	0x00000	reserved
11:0	RW	0x000	low_comp2 Low threshold for ADC output data for channel 2.

**SARADC LOW COMP3**

Address: Operational Base + offset (0x0060)

Bit	Attr	Reset Value	Description
31:12	RO	0x00000	reserved
11:0	RW	0x000	low_comp3 Low threshold for ADC output data for channel 3.

**SARADC LOW COMP4**

Address: Operational Base + offset (0x0064)

Bit	Attr	Reset Value	Description
31:12	RO	0x00000	reserved
11:0	RW	0x000	low_comp4 Low threshold for ADC output data for channel 4.

**SARADC LOW COMP5**

Address: Operational Base + offset (0x0068)

Bit	Attr	Reset Value	Description
31:12	RO	0x00000	reserved
11:0	RW	0x000	low_comp5 Low threshold for ADC output data for channel 5.

**SARADC LOW COMP6**

Address: Operational Base + offset (0x006C)

Bit	Attr	Reset Value	Description
31:12	RO	0x00000	reserved
11:0	RW	0x000	low_comp6 Low threshold for ADC output data for channel 6.

**SARADC LOW COMP7**

Address: Operational Base + offset (0x0070)

Bit	Attr	Reset Value	Description
31:12	RO	0x00000	reserved
11:0	RW	0x000	low_comp7 Low threshold for ADC output data for channel 7.

**SARADC LOW COMP8**

Address: Operational Base + offset (0x0074)

Bit	Attr	Reset Value	Description
31:12	RO	0x00000	reserved
11:0	RW	0x000	low_comp8 Not used in this application.

**SARADC LOW COMP9**

Address: Operational Base + offset (0x0078)

Bit	Attr	Reset Value	Description
31:12	RO	0x00000	reserved
11:0	RW	0x000	low_comp9 Not used in this application.

**SARADC LOW COMP10**

Address: Operational Base + offset (0x007C)

Bit	Attr	Reset Value	Description
31:1	RO	0x00000000	reserved
0	RW	0x0	low_comp10 Not used in this application.

**SARADC LOW COMP11**

Address: Operational Base + offset (0x0080)

Bit	Attr	Reset Value	Description
31:12	RO	0x00000	reserved
11:0	RW	0x000	low_comp11 Not used in this application.

**SARADC LOW COMP12**

Address: Operational Base + offset (0x0084)

Bit	Attr	Reset Value	Description
31:12	RO	0x00000	reserved
11:0	RW	0x000	low_comp12 Not used in this application.

**SARADC LOW COMP13**

Address: Operational Base + offset (0x0088)

Bit	Attr	Reset Value	Description
31:1	RO	0x00000000	reserved
0	RW	0x0	low_comp13 Not used in this application.

**SARADC LOW COMP14**

Address: Operational Base + offset (0x008C)

Bit	Attr	Reset Value	Description
31:12	RO	0x00000	reserved
11:0	RW	0x000	low_comp14 Not used in this application.

**SARADC LOW COMP15**

Address: Operational Base + offset (0x0090)

Bit	Attr	Reset Value	Description
31:12	RO	0x00000	reserved
11:0	RW	0x000	low_comp15 Not used in this application.

**SARADC DEBOUNCE**

Address: Operational Base + offset (0x0094)

Bit	Attr	Reset Value	Description
31:8	RO	0x000000	reserved
7:0	RW	0x03	debounce ADC controller will only generate interrupt data is higher/lower/between setting threshold for "debounce" times.

**SARADC HT INT EN**

Address: Operational Base + offset (0x0098)

Bit	Attr	Reset Value	Description
31:16	WO	0x0000	write_enable Write enable for lower 16bits, each bit is individual. 1'b0: Write access disable 1'b1: Write access enable
15	RW	0x0	ht_int_en15 Not used in this application.
14	RW	0x0	ht_int_en14 Not used in this application.
13	RW	0x0	ht_int_en13 Not used in this application.
12	RW	0x0	ht_int_en12 Not used in this application.
11	RW	0x0	ht_int_en11 Not used in this application.
10	RW	0x0	ht_int_en10 Not used in this application.
9	RW	0x0	ht_int_en9 Not used in this application.
8	RW	0x0	ht_int_en8 Not used in this application.
7	RW	0x0	ht_int_en7 High threshold interrupt for channel7. 1'b1: Enable ht intr. 1'b0: Disable ht intr.
6	RW	0x0	ht_int_en6 High threshold interrupt for channel6. 1'b1: Enable ht intr. 1'b0: Disable ht intr.
5	RW	0x0	ht_int_en5 High threshold interrupt for channel5. 1'b1: Enable ht intr. 1'b0: Disable ht intr.
4	RW	0x0	ht_int_en4 High threshold interrupt for channel4. 1'b1: Enable ht intr. 1'b0: Disable ht intr.

Bit	Attr	Reset Value	Description
3	RW	0x0	ht_int_en3 High threshold interrupt for channel3. 1'b1: Enable ht intr. 1'b0: Disable ht intr.
2	RW	0x0	ht_int_en2 High threshold interrupt for channel2. 1'b1: Enable ht intr. 1'b0: Disable ht intr.
1	RW	0x0	ht_int_en1 High threshold interrupt for channel1. 1'b1: Enable ht intr. 1'b0: Disable ht intr.
0	RW	0x0	ht_int_en0 High threshold interrupt for channel0. 1'b1: Enable ht intr. 1'b0: Disable ht intr.

**SARADC LT INT EN**

Address: Operational Base + offset (0x009C)

Bit	Attr	Reset Value	Description
31:16	WO	0x0000	write_enable Write enable for lower 16bits, each bit is individual. 1'b0: Write access disable 1'b1: Write access enable
15	RW	0x0	lt_int_en15 Not used in this application.
14	RW	0x0	lt_int_en14 Not used in this application.
13	RW	0x0	lt_int_en13 Not used in this application.
12	RW	0x0	lt_int_en12 Not used in this application.
11	RW	0x0	lt_int_en11 Not used in this application.
10	RW	0x0	lt_int_en10 Not used in this application.
9	RW	0x0	lt_int_en9 Not used in this application.
8	RW	0x0	lt_int_en8 Not used in this application.
7	RW	0x0	lt_int_en7 Low threshold interrupt for channel7. 1'b1: Enable lt intr. 1'b0: Disable lt intr.
6	RW	0x0	lt_int_en6 Low threshold interrupt for channel6. 1'b1: Enable lt intr. 1'b0: Disable lt intr.
5	RW	0x0	lt_int_en5 Low threshold interrupt for channel5. 1'b1: Enable lt intr. 1'b0: Disable lt intr.

Bit	Attr	Reset Value	Description
4	RW	0x0	lt_int_en4 Low threshold interrupt for channel4. 1'b1: Enable lt intr. 1'b0: Disable lt intr.
3	RW	0x0	lt_int_en3 Low threshold interrupt for channel3. 1'b1: Enable lt intr. 1'b0: Disable lt intr.
2	RW	0x0	lt_int_en2 Low threshold interrupt for channel2. 1'b1: Enable lt intr. 1'b0: Disable lt intr.
1	RW	0x0	lt_int_en1 Low threshold interrupt for channel1. 1'b1: Enable lt intr. 1'b0: Disable lt intr.
0	RW	0x0	lt_int_en0 Low threshold interrupt for channel0. 1'b1: Enable lt intr. 1'b0: Disable lt intr.

**SARADC MT INT EN**

Address: Operational Base + offset (0x0100)

Bit	Attr	Reset Value	Description
31:16	WO	0x0000	write_enable Write enable for lower 16bits, each bit is individual. 1'b0: Write access disable 1'b1: Write access enable
15	RW	0x0	mt_int_en15 Not used in this application.
14	RW	0x0	mt_int_en14 Not used in this application.
13	RW	0x0	mt_int_en13 Not used in this application.
12	RW	0x0	mt_int_en12 Not used in this application.
11	RW	0x0	mt_int_en11 Not used in this application.
10	RW	0x0	mt_int_en10 Not used in this application.
9	RW	0x0	mt_int_en9 Not used in this application.
8	RW	0x0	mt_int_en8 Not used in this application.
7	RW	0x0	mt_int_en7 Middle threshold interrupt for channel7. 1'b1: Enable mt intr. 1'b0: Disable mt intr.
6	RW	0x0	mt_int_en6 Middle threshold interrupt for channel6. 1'b1: Enable mt intr. 1'b0: Disable mt intr.



Bit	Attr	Reset Value	Description
5	RW	0x0	mt_int_en5 Middle threshold interrupt for channel5. 1'b1: Enable mt intr. 1'b0: Disable mt intr.
4	RW	0x0	mt_int_en4 Middle threshold interrupt for channel4. 1'b1: Enable mt intr. 1'b0: Disable mt intr.
3	RW	0x0	mt_int_en3 Middle threshold interrupt for channel3. 1'b1: Enable mt intr. 1'b0: Disable mt intr.
2	RW	0x0	mt_int_en2 Middle threshold interrupt for channel2. 1'b1: Enable mt intr. 1'b0: Disable mt intr.
1	RW	0x0	mt_int_en1 Middle threshold interrupt for channel1. 1'b1: Enable mt intr. 1'b0: Disable mt intr.
0	RW	0x0	mt_int_en0 Middle threshold interrupt for channel0. 1'b1: Enable mt intr. 1'b0: Disable mt intr.

**SARADC\_END\_INT\_EN**

Address: Operational Base + offset (0x0104)

Bit	Attr	Reset Value	Description
31:16	WO	0x0000	write_enable Write enable for lower 16bits, each bit is individual. 1'b0: Write access disable 1'b1: Write access enable
15:1	RO	0x0000	reserved
0	RW	0x0	end_int_en 1'b1: Enable end conversion intr. 1'b0: Disable end conversion intr.

**SARADC\_ST\_CON**

Address: Operational Base + offset (0x0108)

Bit	Attr	Reset Value	Description
31:6	RO	0x0000000	reserved
5:3	RW	0x3	ictrl Control the bias current of the preamplifier in the SAR-ADC
2:0	RW	0x4	cctrl Control the capacitance of the capacitor DAC array, which is related to the linearity of the SAR-ADC.

**SARADC\_STATUS**

Address: Operational Base + offset (0x010C)

Bit	Attr	Reset Value	Description
31:6	RO	0x0000000	reserved
5:2	RO	0x0	sel Adc channel sel.

Bit	Attr	Reset Value	Description
1	RO	0x1	pd 1'b1: ADC is power down. 1'b0: ADC is power up and in conversion.
0	RO	0x0	conv_st Conversion status 1'b1: ADC controller fsm is busy. 1'b0: ADC controller fsm is idle.

**SARADC\_END\_INT\_ST**

Address: Operational Base + offset (0x0110)

Bit	Attr	Reset Value	Description
31:1	RO	0x00000000	reserved
0	W1 C	0x0	end_int_st ADC end conversion interrupt status. 1'b1: Interrupt happened. 1'b0: Interrupt not happened.

**SARADC\_HT\_INT\_ST**

Address: Operational Base + offset (0x0114)

Bit	Attr	Reset Value	Description
31:16	W1 C	0x0000	reserved
15	W1 C	0x0	ht_int_st15 Not used in this application.
14	W1 C	0x0	ht_int_st14 Not used in this application.
13	W1 C	0x0	ht_int_st13 Not used in this application.
12	W1 C	0x0	ht_int_st12 Not used in this application.
11	W1 C	0x0	ht_int_st11 Not used in this application.
10	W1 C	0x0	ht_int_st10 Not used in this application.
9	W1 C	0x0	ht_int_st9 Not used in this application.
8	W1 C	0x0	ht_int_st8 Not used in this application.
7	W1 C	0x0	ht_int_st7 High threshold interrupt state for channel7. 1'b1: Interrupt happened. 1'b0: Interrupt not happened.
6	W1 C	0x0	ht_int_st6 High threshold interrupt state for channel6. 1'b1: Interrupt happened. 1'b0: Interrupt not happened.
5	W1 C	0x0	ht_int_st5 High threshold interrupt state for channel5. 1'b1: Interrupt happened. 1'b0: Interrupt not happened.
4	W1 C	0x0	ht_int_st4 High threshold interrupt state for channel4. 1'b1: Interrupt happened. 1'b0: Interrupt not happened.

Bit	Attr	Reset Value	Description
3	W1 C	0x0	ht_int_st3 High threshold interrupt state for channel3. 1'b1: Interrupt happened. 1'b0: Interrupt not happened.
2	W1 C	0x0	ht_int_st2 High threshold interrupt state for channel2. 1'b1: Interrupt happened. 1'b0: Interrupt not happened.
1	W1 C	0x0	ht_int_st1 High threshold interrupt state for channel1. 1'b1: Interrupt happened. 1'b0: Interrupt not happened.
0	W1 C	0x0	ht_int_st0 High threshold interrupt state for channel0. 1'b1: Interrupt happened. 1'b0: Interrupt not happened.

**SARADC LT INT ST**

Address: Operational Base + offset (0x0118)

Bit	Attr	Reset Value	Description
31:16	RO	0x0000	reserved
15	W1 C	0x0	lt_int_st15 Not used in this application.
14	W1 C	0x0	lt_int_st14 Not used in this application.
13	W1 C	0x0	lt_int_st13 Not used in this application.
12	W1 C	0x0	lt_int_st12 Not used in this application.
11	W1 C	0x0	lt_int_st11 Not used in this application.
10	W1 C	0x0	lt_int_st10 Not used in this application.
9	W1 C	0x0	lt_int_st9 Not used in this application.
8	W1 C	0x0	lt_int_st8 Not used in this application.
7	W1 C	0x0	lt_int_st7 Low threshold interrupt state for channel7. 1'b1: Interrupt happened. 1'b0: Interrupt not happened.
6	W1 C	0x0	lt_int_st6 Low threshold interrupt state for channel6. 1'b1: Interrupt happened. 1'b0: Interrupt not happened.
5	W1 C	0x0	lt_int_st5 Low threshold interrupt state for channel5. 1'b1: Interrupt happened. 1'b0: Interrupt not happened.
4	W1 C	0x0	lt_int_st4 Low threshold interrupt state for channel4. 1'b1: Interrupt happened. 1'b0: Interrupt not happened.

Bit	Attr	Reset Value	Description
3	W1 C	0x0	lt_int_st3 Low threshold interrupt state for channel3. 1'b1: Interrupt happened. 1'b0: Interrupt not happened.
2	W1 C	0x0	lt_int_st2 Low threshold interrupt state for channel2. 1'b1: Interrupt happened. 1'b0: Interrupt not happened.
1	W1 C	0x0	lt_int_st1 Low threshold interrupt state for channel1. 1'b1: Interrupt happened. 1'b0: Interrupt not happened.
0	W1 C	0x0	lt_int_st0 Low threshold interrupt state for channel0. 1'b1: Interrupt happened. 1'b0: Interrupt not happened.

**SARADC MT INT ST**

Address: Operational Base + offset (0x011C)

Bit	Attr	Reset Value	Description
31:16	RO	0x0000	reserved
15	W1 C	0x0	mt_int_st15 Not used in this application.
14	W1 C	0x0	mt_int_st14 Not used in this application.
13	W1 C	0x0	mt_int_st13 Not used in this application.
12	W1 C	0x0	mt_int_st12 Not used in this application.
11	W1 C	0x0	mt_int_st11 Not used in this application.
10	W1 C	0x0	mt_int_st10 Not used in this application.
9	W1 C	0x0	mt_int_st9 Not used in this application.
8	W1 C	0x0	mt_int_st8 Not used in this application.
7	W1 C	0x0	mt_int_st7 Between high and low threshold interrupt state for channel7. 1'b1: Interrupt happened. 1'b0: Interrupt not happened.
6	W1 C	0x0	mt_int_st6 Between high and low threshold interrupt state for channel6. 1'b1: Interrupt happened. 1'b0: Interrupt not happened.
5	W1 C	0x0	mt_int_st5 Between high and low threshold interrupt state for channel5. 1'b1: Interrupt happened. 1'b0: Interrupt not happened.
4	W1 C	0x0	mt_int_st4 Between high and low threshold interrupt state for channel4. 1'b1: Interrupt happened. 1'b0: Interrupt not happened.

Bit	Attr	Reset Value	Description
3	W1 C	0x0	mt_int_st3 Between high and low threshold interrupt state for channel3. 1'b1: Interrupt happened. 1'b0: Interrupt not happened.
2	W1 C	0x0	mt_int_st2 Between high and low threshold interrupt state for channel2. 1'b1: Interrupt happened. 1'b0: Interrupt not happened.
1	W1 C	0x0	mt_int_st1 Between high and low threshold interrupt state for channel1. 1'b1: Interrupt happened. 1'b0: Interrupt not happened.
0	W1 C	0x0	mt_int_st0 Between high and low threshold interrupt state for channel0. 1'b1: Interrupt happened. 1'b0: Interrupt not happened.

**SARADC DATA0**

Address: Operational Base + offset (0x0120)

Bit	Attr	Reset Value	Description
31:12	RO	0x00000	reserved
11:0	RO	0x000	data0 ADC channel 0 data.

**SARADC DATA1**

Address: Operational Base + offset (0x0124)

Bit	Attr	Reset Value	Description
31:12	RO	0x00000	reserved
11:0	RO	0x000	data1 ADC channel 1 data.

**SARADC DATA2**

Address: Operational Base + offset (0x0128)

Bit	Attr	Reset Value	Description
31:12	RO	0x00000	reserved
11:0	RO	0x000	data2 ADC channel 2 data.

**SARADC DATA3**

Address: Operational Base + offset (0x012C)

Bit	Attr	Reset Value	Description
31:12	RO	0x00000	reserved
11:0	RO	0x000	data3 ADC channel 3 data.

**SARADC DATA4**

Address: Operational Base + offset (0x0130)

Bit	Attr	Reset Value	Description
31:12	RO	0x00000	reserved
11:0	RO	0x000	data4 ADC channel 4 data.

**SARADC DATA5**

Address: Operational Base + offset (0x0134)

Bit	Attr	Reset Value	Description
31:12	RO	0x00000	reserved
11:0	RO	0x000	data5 ADC channel 5 data.

**SARADC DATA6**

Address: Operational Base + offset (0x0138)

Bit	Attr	Reset Value	Description
31:12	RO	0x00000	reserved
11:0	RO	0x000	data6 ADC channel 6 data.

**SARADC DATA7**

Address: Operational Base + offset (0x013C)

Bit	Attr	Reset Value	Description
31:12	RO	0x00000	reserved
11:0	RO	0x000	data7 ADC channel 7 data.

**SARADC DATA8**

Address: Operational Base + offset (0x0140)

Bit	Attr	Reset Value	Description
31:12	RO	0x00000	reserved
11:0	RO	0x000	data8 Not used in this application.

**SARADC DATA9**

Address: Operational Base + offset (0x0144)

Bit	Attr	Reset Value	Description
31:12	RO	0x00000	reserved
11:0	RO	0x000	data9 Not used in this application.

**SARADC DATA10**

Address: Operational Base + offset (0x0148)

Bit	Attr	Reset Value	Description
31:12	RO	0x00000	reserved
11:0	RO	0x000	data10 Not used in this application.

**SARADC DATA11**

Address: Operational Base + offset (0x014C)

Bit	Attr	Reset Value	Description
31:12	RO	0x00000	reserved
11:0	RO	0x000	data11 Not used in this application.

**SARADC DATA12**

Address: Operational Base + offset (0x0150)

Bit	Attr	Reset Value	Description
31:12	RO	0x00000	reserved
11:0	RO	0x000	data12 Not used in this application.

**SARADC DATA13**

**RKRK3588 TRM-Part1**

Address: Operational Base + offset (0x0154)

Bit	Attr	Reset Value	Description
31:12	RO	0x00000	reserved
11:0	RO	0x000	data13 Not used in this application.

**SARADC DATA14**

Address: Operational Base + offset (0x0158)

Bit	Attr	Reset Value	Description
31:12	RO	0x00000	reserved
11:0	RO	0x000	data14 Not used in this application.

**SARADC DATA15**

Address: Operational Base + offset (0x015C)

Bit	Attr	Reset Value	Description
31:12	RO	0x00000	reserved
11:0	RO	0x000	data15 Not used in this application.

**SARADC AUTO CH EN**

Address: Operational Base + offset (0x0160)

Bit	Attr	Reset Value	Description
31:16	WO	0x0000	write_enable Write enable for lower 16bits, each bit is individual. 1'b0: Write access disable 1'b1: Write access enable
15	RW	0x0	auto_ch15_en Not used in this application.
14	RW	0x0	auto_ch14_en Not used in this application.
13	RW	0x0	auto_ch13_en Not used in this application.
12	RW	0x0	auto_ch12_en Not used in this application.
11	RW	0x0	auto_ch11_en Not used in this application.
10	RW	0x0	auto_ch10_en Not used in this application.
9	RW	0x0	auto_ch9_en Not used in this application.
8	RW	0x0	auto_ch8_en Not used in this application.
7	RW	0x0	auto_ch7_en Enable channel 7 in auto channel mode.
6	RW	0x0	auto_ch6_en Enable channel 6 in auto channel mode.
5	RW	0x0	auto_ch5_en Enable channel 5 in auto channel mode.
4	RW	0x0	auto_ch4_en Enable channel 4 in auto channel mode.
3	RW	0x0	auto_ch3_en Enable channel 3 in auto channel mode.
2	RW	0x0	auto_ch2_en Enable channel 2 in auto channel mode.

Bit	Attr	Reset Value	Description
1	RW	0x0	auto_ch1_en Enable channel 1 in auto channel mode.
0	RW	0x0	auto_ch0_en Enable channel 0 in auto channel mode.

## 26.5 Timing Diagram

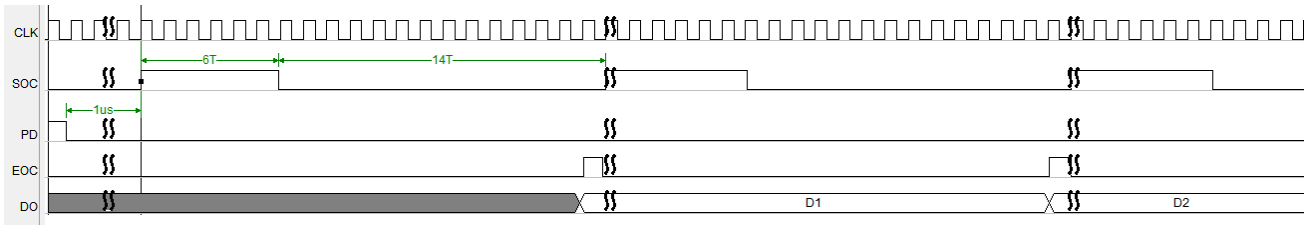


Fig. 26-2 SAR-ADC Timing Diagram

SAR-ADC timing diagram is shown in Fig.1-2. When PD (power down) comes to low, wait 1us then assert SOC to start conversion. SOC should hold for 6 clock cycles (CLK), then after 14 clock cycle EOC pulse with conversion data (DO). CLK is suggested to be 20MHz, if frequency could not meet, set frequency close to 20MHz but not over 20MHz. Don't need to care the channel changing, this will be met by internal FSM. Also if software want to end conversion by setting register SARADC\_CONV\_CON, PD may not be asserted immediately but wait the latest conversion ends.

## 26.6 Application Notes

### Steps of ADC conversion in series conversion mode:

- Decide which channel should be used and whether auto\_channel mode should be set. In auto\_channel mode channel will be changed from 0-7 then to 0. Please refer to SARADC\_CONV\_CON register.
- Set SARADC\_CONV\_CON[4] to 1'b1, then conversion will start.
- If conversion wants to be ended, set SARADC\_CONV\_CON[7] to 1'b1.
- Conversion could be read from SARADC\_DATA<sub>n</sub> (n is from 0-7).
- If threshold compare interrupt wants to be used, high/low threshold could be set, and interrupt should be set as application.
- If auto\_channel mode is not set, you could set the channel as application.

### Steps of adc conversion in single mode:

- Decide which channel should be used and set SARADC\_CONV\_CON[3:0].
- Set SARADC\_CONV\_CON[5] to 1'b1.
- Set SARADC\_CONV\_CON[4] to 1'b1, then conversion will start.
- Conversion only operates once then ends. PD will be asserted and PD status could be got by reading SARADC\_STATUS.
- Conversion could be read from SARADC\_DATA<sub>n</sub> (n is from 0-7).



## Chapter 27 Digital Audio Codec

### 27.1 Overview

Digital Audio Codec is a 16-bit digital audio encoder which supports multiple sample rates. It is mainly composed of digital DAC. The aim of digital DAC is to process the data received from I2S/PCM interface through filters, volume control and modulation.

The Digital Audio Codec supports the following features.

- Support 8-bit APB bus slave interface
- Support 2-channel digital DAC
- Support I2S/PCM interface
- Support I2S/PCM master and slave mode
- Support 2-channel audio receiving in I2S mode
- Support 2-channel audio receiving in PCM mode
- Support I2S normal, left and right justified mode serial audio data transfer
- Support PCM early, late1, late2, late3 mode serial audio data transfer
- Support MSB or LSB first serial audio data transfer
- Support configurable SCLK and LRCK polarity
- Support 16 bit sample resolution
- Support programmable left and right channel exchangeable in I2S mode and PCM mode
- Support three modes of mixing for every digital DAC channel
- Support volume control
- Support programmable negative and positive volume gain

### 27.2 Block Diagram

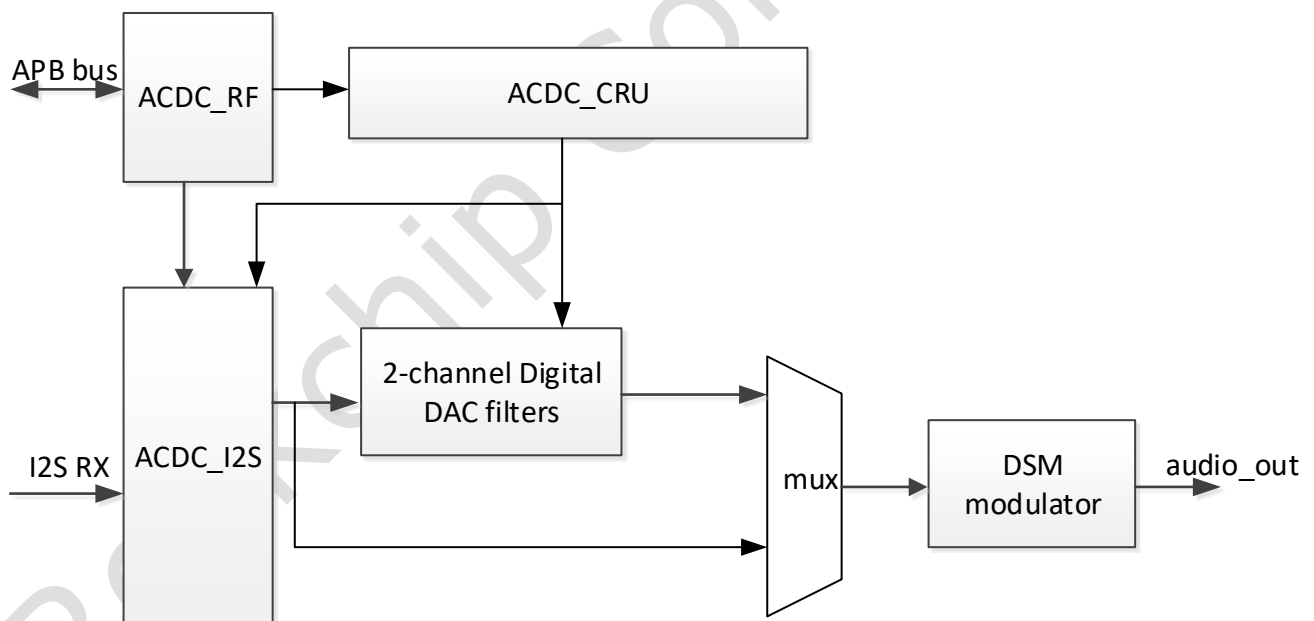


Fig. 27-1 Digital Audio Codec Block Diagram

#### ACDC\_RF

The ACDC\_RF implements the 8-bit APB slave operation through APB bus. It is responsible for configuring the operation registers of other modules.

#### ACDC\_CRU

The ACDC\_CRU implements clock and reset generation function. It is responsible for generating sample clock, digital DAC operation clock and I2S operation clock.

#### Digital DAC

There are 2 digital DAC channels. The digital DAC receives audio data from ACDC\_I2S module. It includes one CIC filter, one high-pass filter, several low-pass decimation filters

and other audio signal processing related modules. The output of digital DAC is sent to DSM modular before transmitting outside.

**ACDC\_I2S**

The I2S/PCM audio interface can be configured to master mode or slave mode. In Master Mode, SCLK and LRCK are configured as output. In slave mode, SCLK and LRCK are configured as input. The ACDC\_I2S module can only operate in RX mode. When in RX mode, it receives audio data from I2S RX interface and sends it to digital DAC.

**DSM Modulator**

It is a modulator that converts 16 bits audio sample data to 1 bit audio data.

**27.3 Function description**

The I2S/PCM interface of Digital Audio Codec is connected to the I2S3 controller. Please refer to the I2S chapter for detailed information about I2S and PCM format that Digital Audio Codec supports.

**27.3.1 Filters of Digital DAC**

I2S module receives two-channel audio data from I2S RX interface and drives it to the digital DAC which supports mixing function or directly to the DSM modulator. How to pour 2-channel audio data into 2-channel digital DAC can be achieved by programming mixing mode.

The 2-channel digital DAC includes a high-pass filter and a maximum of 5 half-band filters. The high-pass filter is used to filter DC components in audio data stream. Result of high-pass filter is sent to the digital DAC volume control module. The input of 5 half-band filters comes from output of volume control module with each perform 2-times interpolation. But not all of them are working all the time. How many of them are needed to work depends on the sample rate of digital DAC. The result of half-band filters is sent to a modulator.

**27.3.2 Volume Control**

For digital DAC, output of high-pass filters is fed into volume control module. The volume control module inside digital DAC contains several sub-modules such as peak detect, frequency cross zero detect, LIMITER and digital gain control. It can be digitally attenuated over a range of -96dB~0dB in 0.375dB/step for negative gain and amplified over a range of 0dB~96dB in 0.375dB/step for positive gain. Whether is attenuated or amplified can be software programmed.

**27.4 Register Description**

**27.4.1 Internal Address Mapping**

Slave address can be divided into different length for different usage, which is shown as follows.

**27.4.2 Registers Summary**

<b>Name</b>	<b>Offset</b>	<b>Size</b>	<b>Reset Value</b>	<b>Description</b>
<u>ACDCDIG_DACVUCTL</u>	0x0140	W	0x00000001	DAC Volume Control Register
<u>ACDCDIG_DACVUCTIME</u>	0x0144	W	0x00000000	DAC Volume Control Time Limit Register
<u>ACDCDIG_DACDIGEN</u>	0x0148	W	0x00000000	DAC Digital Enable Register
<u>ACDCDIG_DACCLKCTRL</u>	0x014C	W	0x00000000	DAC Clock Control Register
<u>ACDCDIG_DACINT_DIV</u>	0x0154	W	0x00000007	DAC Integer Clock Divider Register

Name	Offset	Size	Reset Value	Description
<u>ACDCDIG DACSCLKRXIN_T_DIV</u>	0x0160	W	0x0000001F	I2S SCLK RX Integer Divider Register
<u>ACDCDIG DACPWM_DIV</u>	0x0164	W	0x00000003	PWM Mode Integer Divider Register
<u>ACDCDIG DACPWM_CTRL</u>	0x0168	W	0x00000000	PWM Mode Control Register
<u>ACDCDIG DACCFG1</u>	0x0184	W	0x00000004	DAC Configure Register 1
<u>ACDCDIG DACMUTE</u>	0x0188	W	0x00000000	DAC Mute Control Register
<u>ACDCDIG DACMUTEST</u>	0x018C	W	0x00000000	DAC Mute Status Register
<u>ACDCDIG DACVOLL0</u>	0x0190	W	0x00000000	Volume of DAC Left Channel 0 Register
<u>ACDCDIG DACVOLR0</u>	0x01A0	W	0x00000000	Volume of DAC right Channel 1 Register
<u>ACDCDIG DACVOGP</u>	0x01B0	W	0x00000000	DAC Volume Gain Polarity Register
<u>ACDCDIG DACRVOLL0</u>	0x01B4	W	0x000000FF	Internal Volume of DAC Left Channel 0 Register
<u>ACDCDIG DACRVOLR0</u>	0x01C4	W	0x000000FF	Internal Volume of DAC right Channel 1 Register
<u>ACDCDIG DACLMT0</u>	0x01D4	W	0x00000000	DAC Limiter Register 0
<u>ACDCDIG DACLMT1</u>	0x01D8	W	0x00000000	DAC Limiter Register 1
<u>ACDCDIG DACLMT2</u>	0x01DC	W	0x00000000	DAC Limiter Register 2
<u>ACDCDIG DACMIXCTRLLL</u>	0x01E0	W	0x00000000	DAC Mixing Control Register Of Left Channels
<u>ACDCDIG DACMIXCTRLR</u>	0x01E4	W	0x00000000	DAC Mixing Control Register Of right Channels
<u>ACDCDIG DACHPF</u>	0x01E8	W	0x00000000	DAC High-pass Filter Control Register
<u>ACDCDIG I2S RXCR0</u>	0x030C	W	0x0000000F	Receive Operation Control Register 0
<u>ACDCDIG I2S RXCR1</u>	0x0310	W	0x00000000	Receive Operation Control Register 1
<u>ACDCDIG I2S CKR0</u>	0x0314	W	0x00000000	Clock Generation Register 0
<u>ACDCDIG I2S CKR1</u>	0x0318	W	0x00000000	Clock Generation Register 1
<u>ACDCDIG I2S XFER</u>	0x031C	W	0x00000000	Transfer Start Register
<u>ACDCDIG I2S CLR</u>	0x0320	W	0x00000000	SCLK Domain Logic Clear Register
<u>ACDCDIG VERSION</u>	0x0380	W	0x00000002	Version Register

Notes: **Size:** **B**- Byte (8 bits) access, **HW**- Half WORD (16 bits) access, **W**-WORD (32 bits) access, **DW**- Double WORD (64 bits) access

### 27.4.3 Detail Registers Description

#### **ACDCDIG DACVUCTL**

Address: Operational Base + offset (0x0140)

Bit	Attr	Reset Value	Description
31:3	RO	0x00000000	reserved

Bit	Attr	Reset Value	Description
2	RW	0x0	dac_byps Digital DAC volume control bypass. 1'b0: Digital DAC volume control enable 1'b1: Digital DAC volume control bypass
1	RW	0x0	dacfade Digital DAC volume adjust mode. 1'b0: Update to new volume immediately. 1'b1: Update volume as daczdt field describes.
0	RW	0x1	daczdt Digital DAC volume cross zero detect enable. It works when dac_byps is 1'b0 and dacfade is 1'b1. 1'b0: Volume adjusts every sample. 1'b1: Volume adjusts only when audio waveform crosses zero or volume-control time-limit condition meets.

**ACDCDIG DACVUCTIME**

Address: Operational Base + offset (0x0144)

Bit	Attr	Reset Value	Description
31:8	RO	0x000000	reserved
7:0	RW	0x00	dacvuct Volume control time limit, valid only in fade cross zero mode. Time limit = dacvuct*(1/sample rate) Unit: Sample rate

**ACDCDIG DACDIGEN**

Address: Operational Base + offset (0x0148)

Bit	Attr	Reset Value	Description
31:5	RO	0x0000000	reserved
4	RW	0x0	dacglben Global enable of all Digital DAC channels. Only when dacglben and the enable signal corresponding to each Digital DAC channel is valid before starting work. 1'b0: Disable 1'b1: Enable
3:1	RO	0x0	reserved
0	RW	0x0	dacen_l0r1 Digital DAC left channel 0 and right channel 1 enable. 1'b0: Disable 1'b1: Enable

**ACDCDIG DACCLKCTRL**

Address: Operational Base + offset (0x014C)

Bit	Attr	Reset Value	Description
31:6	RO	0x0000000	reserved

Bit	Attr	Reset Value	Description
5	RW	0x0	dac_cke Digital DAC operation clock enable. 1'b0: Disable 1'b1: Enable
4	RW	0x0	i2srx_cke Clock enable of internal I2S RX channel. 1'b0: Disable 1'b1: Enable
3	RW	0x0	cke_bclkrx Clock enable of sclk_out_rx. 1'b0: Disable 1'b1: Enable
2	RW	0x0	dac_sync_ena Enable of the synchronization signal used internally generated by Digital DAC. 1'b0: Disable 1'b1: Enable
1	RO	0x0	dac_sync_status There is a counter to generate synchronization signal of Digital DAC. In order to ensure the integrity of synchronization signal, it is necessary to read back dac_sync_status to judge whether the counter stops working when dac_sync_ena is set from 1'b1 to 1'b0. If the signal is read back to 1'b0, it means that the counter stops working and the synchronization signal of Digital DAC is complete.
0	RW	0x0	dac_mod_attenu_en When enabled, the input of the Digital DAC modulator is attenuated by 6dB, and the output of the Digital DAC modulator is increased by 6dB. 1'b0: Disable 1'b1: Enable

**ACDCDIG DACINT DIV**

Address: Operational Base + offset (0x0154)

Bit	Attr	Reset Value	Description
31:8	RO	0x000000	reserved
7:0	RW	0x07	int_div_con Integer clock divider to provide 6.144/5.644/4.096MHz sample clock for internal filters. Make sure that int_div_con is an odd number between 7(8 times division) and 15(16 times division).

**ACDCDIG DACSCLKRXINT DIV**

Address: Operational Base + offset (0x0160)

Bit	Attr	Reset Value	Description
31:8	RO	0x000000	reserved

Bit	Attr	Reset Value	Description
7:0	RW	0x1f	sckrxdiv Integer clock divider to generate sclk_out_rx when I2S RX works in master mode. It is ignored when in slave mode. Sckrxdiv=((frequency of input operation clock)/(frequency of sclk_out_rx))-1. Sckrxdiv can be any value from 0 to 255.

**ACDCDIG DACPWM DIV**

Address: Operational Base + offset (0x0164)

Bit	Attr	Reset Value	Description
31:8	RO	0x000000	reserved
7:0	RW	0x03	audio_pwm_div PWM mode division of Digital DAC's operation clock. The operation clock frequency of DSM module is equal to the input operation clock frequency of Digital DAC's divided by audio_pwm_div+1. It's recommended that audio_pwm_div is set 8'h3.

**ACDCDIG DACPWM CTRL**

Address: Operational Base + offset (0x0168)

Bit	Attr	Reset Value	Description
31:7	RO	0x0000000	reserved
6	RW	0x0	pwm_mode_cke Clock enable of 1-bit PWM modulator 1'b0: Disable 1'b1: Enable
5:4	RW	0x0	pwm_mode Audio PWM mode selection 2'b01: Audio PWM mode 0. The input of 1-bit PWM modulator is from the last filter of Audio DAC. 2'b10: Audio PWM mode 1. The input of 1-bit PWM modulator is directly from output of I2S RX inside the ACDCDIG. Others: Reserved
3	RW	0x0	pwm_en 1-bit PWM modulator enable 1'b0: Disable 1'b1: Enable
2:0	RW	0x0	dith_sel Dith mode selection of 1-bit PWM modulator.

**ACDCDIG DACCFG1**

Address: Operational Base + offset (0x0184)

Bit	Attr	Reset Value	Description
31:5	RO	0x0000000	reserved

Bit	Attr	Reset Value	Description
4:2	RW	0x1	dacsrt Sample rates of Digital DAC when in audio PWM mode 0. This field is ignored when in audio PWM mode 1. 3'b000: 12kHz/11.024kHz/8kHz 3'b001: 24kHz/22.05kHz/16kHz 3'b010: 32kHz/48kHz/44.1kHz 3'b011: 96kHz/88.2kHz/64kHz 3'b100: 192kHz/176.4kHz/128kHz 3'b101~3'b111: Reserved
1:0	RO	0x0	reserved

**ACDCDIG DACMUTE**

Address: Operational Base + offset (0x0188)

Bit	Attr	Reset Value	Description
31:2	RO	0x00000000	reserved
1	RW	0x0	dacunmt 1'b0: DAC normal mode 1'b1: DAC unmute mode. In this mode, DAC volume control block will adjust volume to match the value in DACVOLL* and DACVOLR*.
0	RW	0x0	dacmt 1'b0: DAC normal mode 1'b1: DAC mute mode

**ACDCDIG DACMUTEST**

Address: Operational Base + offset (0x018C)

Bit	Attr	Reset Value	Description
31:5	RO	0x00000000	reserved
4	RO	0x0	unmutest_l0r1 Unmute status for Digital DAC left channel 0 and right channel 1. When unmute is done, it indicates that internal volume is equal to the value programmed in DACVOLL* and DACVOLR*. 1'b0: Unmute not done 1'b1: Unmute done
3:1	RO	0x0	reserved
0	RO	0x0	mutest_l0r1 Mute status for Digital DAC left channel 0 and right channel 1. 1'b0: Not mute 1'b1: Mute

**ACDCDIG DACVOLL0**

Address: Operational Base + offset (0x0190)

Bit	Attr	Reset Value	Description
31:8	RO	0x000000	reserved

Bit	Attr	Reset Value	Description
7:0	RW	0x00	daclv0 Volume of Digital DAC left channel 0. 0db~-95.625db, 0.375db/step. 8'h0: 0db 8'h1: -0.375db 8'h2: -0.75db 8'h3: -1.125db ..... 8'hff: -95.625db

**ACDCDIG DACVOLR0**

Address: Operational Base + offset (0x01A0)

Bit	Attr	Reset Value	Description
31:8	RO	0x000000	reserved
7:0	RW	0x00	dacrv0 Volume of Digital DAC right channel 1. 0db~-95.625db, 0.375db/step. 8'h0: 0db 8'h1: -0.375db 8'h2: -0.75db 8'h3: -1.125db ..... 8'hff: -95.625db

**ACDCDIG DACVOGP**

Address: Operational Base + offset (0x01B0)

Bit	Attr	Reset Value	Description
31:2	RO	0x00000000	reserved
1	RW	0x0	volgpr1 Gain polarity for the volume of Digital DAC right channel 1. 1'b0: Negative gain 1'b1: Positive gain
0	RW	0x0	volgpl0 Gain polarity for the volume of Digital DAC left channel 0. 1'b0: Negative gain 1'b1: Positive gain

**ACDCDIG DACRVOLLO**

Address: Operational Base + offset (0x01B4)

Bit	Attr	Reset Value	Description
31:8	RO	0x000000	reserved
7:0	RO	0xff	rvoll0 Internal real-time volume of Digital DAC left channel 0.

**ACDCDIG DACRVOLR0**



Address: Operational Base + offset (0x01C4)

Bit	Attr	Reset Value	Description
31:8	RO	0x000000	reserved
7:0	RO	0xff	rvolr0 Internal real-time volume of Digital DAC right channel 1.

**ACDCDIG\_DACLMT0**

Address: Operational Base + offset (0x01D4)

Bit	Attr	Reset Value	Description
31:2	RO	0x00000000	reserved
1	RW	0x0	limen LIMITER enable. 1'b0: Disable 1'b1: Enable
0	RW	0x0	limdct Limiter detect mode. 1'b0: (Left channel + right channel)/2 1'b0: Left channel or right channel independently

**ACDCDIG\_DACLMT1**

Address: Operational Base + offset (0x01D8)

Bit	Attr	Reset Value	Description
31:8	RO	0x000000	reserved
7:4	RW	0x0	atk_rate LIMITER attack rate=(power(2, atk_rate)*(8*clk)), clk is such as 4.096Mhz, 5.6448Mhz, 6.144Mhz.
3:0	RW	0x0	rls_rate LIMITER release rate=(power(2, rls_rate)*(8*clk)), clk is such as 4.096MHz, 5.6448MHz, 6.144MHz.

**ACDCDIG\_DACLMT2**

Address: Operational Base + offset (0x01DC)

Bit	Attr	Reset Value	Description
31:7	RO	0x0000000	reserved
6:4	RW	0x0	max_lilmt The highest threshold of LIMITER. 3'b000~3'b100: 0db~-12db, 3db/step 3'b101~3'b111: -18db~-30db, 6db/step
3	RO	0x0	reserved
2:0	RW	0x0	min_lilmt The lowest threshold of LIMITER. 3'b000~3'b100: 0db~-12db, 3db/step 3'b101~3'b111: -18db~-30db, 6db/step

**ACDCDIG\_DACMIXCTRL**

Address: Operational Base + offset (0x01E0)

Bit	Attr	Reset Value	Description
31:2	RO	0x00000000	reserved
1:0	RW	0x0	mixmode_l0 Digital DAC left channel 0 mixing mode. 2'b00: Left channel 2'b01: Right channel 2'b10~2'b11: (Left channel + right channel)/2

**ACDCDIG DACMIXCTRLR**

Address: Operational Base + offset (0x01E4)

Bit	Attr	Reset Value	Description
31:2	RO	0x00000000	reserved
1:0	RW	0x0	mixmode_r0 Digital DAC right channel 1 mixing mode. 2'b00: Left channel 2'b01: Right channel 2'b10~2'b11: (Left channel + right channel)/2

**ACDCDIG DACHPF**

Address: Operational Base + offset (0x01E8)

Bit	Attr	Reset Value	Description
31:6	RO	0x00000000	reserved
5:4	RW	0x0	hpfcf High-pass filter control. 2'b00: 80Hz 2'b01: 100Hz 2'b10: 120Hz 2'b11: 140Hz
3:1	RO	0x0	reserved
0	RW	0x0	hpfen_l0r1 High-pass filter enable for left channel 0 and right channel 1. 1'b0: High-pass filter is disabled. 1'b1: High-pass filter is enabled.

**ACDCDIG I2S RXCR0**

Address: Operational Base + offset (0x030C)

Bit	Attr	Reset Value	Description
31:8	RO	0x00000000	reserved
7:6	RW	0x0	pbm PCM bus mode 2'b00: PCM no delay mode 2'b01: PCM delay 1 mode 2'b10: PCM delay 2 mode 2'b11: PCM delay 3 mode

Bit	Attr	Reset Value	Description
5	RW	0x0	tfs Transfer format select 1'b0: I2S format 1'b1: PCM format
4:0	RW	0x0f	vdw Valid data width 5'b00000~5'b01110: Reserved 5'b01111: 16bit 5'b10000: 17bit 5'b10001: 18bit 5'b10010: 19bit ..... 5'b11100: 29bit 5'b11101: 30bit 5'b11110: 31bit 5'b11111: 32bit

**ACDCDIG I2S RXCR1**

Address: Operational Base + offset (0x0310)

Bit	Attr	Reset Value	Description
31:8	RO	0x000000	reserved
7:6	RW	0x0	rcsr Channel select 2'b00: Two channel Others: Reserved
5	RO	0x0	reserved
4	RW	0x0	cex Exchange left channel and right channel in the every receive line. 1'b0: Not exchange 1'b1: Exchange
3	RO	0x0	reserved
2	RW	0x0	fbm First bit mode 1'b0: MSB 1'b1: LSB
1:0	RW	0x0	ibm I2S bus mode 2'b00: I2S normal 2'b01: I2S Left justified 2'b10: I2S Right justified 2'b11: Reserved

**ACDCDIG I2S CKR0**

Address: Operational Base + offset (0x0314)

Bit	Attr	Reset Value	Description
31:4	RO	0x00000000	reserved
3:2	RW	0x0	rsd I2S rx sclk divider for rx_lrck generator. 2'b00: 64 2'b01: 128 2'b10~2'b11: 256
1:0	RO	0x0	reserved

**ACDCDIG I2S CKR1**

Address: Operational Base + offset (0x0318)

Bit	Attr	Reset Value	Description
31:4	RO	0x00000000	reserved
3	RW	0x0	mss Master/slave mode select 1'b0: Master mode(sclk output) 1'b1: Slave mode(sclk input)
2	RW	0x0	ckp Sclk polarity 1'b0: Sample data at posedge sclk and drive data at negedge sclk. 1'b1: Sample data at negedge sclk and drive data at posedge sclk.
1	RW	0x0	rlp 1'b0: Normal polarity (I2S normal: low for left channel, high for right channel I2S left/right just: high for left channel, low for right channel PCM start signal: high valid) 1'b1: Opposite polarity (I2S normal: high for left channel, low for right channel I2S left/right just: low for left channel, high for right channel PCM start signal: low valid)
0	RO	0x0	reserved

**ACDCDIG I2S XFER**

Address: Operational Base + offset (0x031C)

Bit	Attr	Reset Value	Description
31:2	RO	0x00000000	reserved
1	RW	0x0	rxs 1'b0: Stop RX transfer 1'b1: Start RX transfer
0	RO	0x0	reserved

**ACDCDIG I2S CLR**

Address: Operational Base + offset (0x0320)

Bit	Attr	Reset Value	Description
31:2	RO	0x00000000	reserved
1	RW	0x0	rx This is a self-cleared bit. Write 1'b1 to clear all receive logic. This bit can be set only when rxs is 1'b0. After writing rx to 1'b1, wait until rx become 1'b0 by polling rx.
0	RO	0x0	reserved

### **ACDCDIG VERSION**

Address: Operational Base + offset (0x0380)

Bit	Attr	Reset Value	Description
31:8	RO	0x000000	reserved
7:0	RO	0x02	ver Version of ACDCDIG.

## **27.5 Interface Description**

The I2S RX interface of Digital Audio Codec is connected to the TX interface of I2S3 when SYS\_GRP\_SOC\_CON6[11] is set to 1'b1.

When operating in audio PWM mode 0 or 1, Digital Audio Codec outputs two pairs of differential signals encoded in PWM format. The following table shows the Digital Audio Codec interface description for audio PWM mode.

Table 27-1 Digital Audio Codec Interface Description

Module Pin	Direction	Pad Name	IOMUX Setting
AUDIO_PWM_L_P	O	GMAC1_RXD2/SDIO_D2_M1/I2S3_LRCK/AUDDSM_LP/FSPI_D2_M2/UART8_TX_M1/SPI4_CLK_M1/GPIO3_A2_u	BUS_IOC_GPIO3A_IOMUX_SEL_L[11:8]=4'h4
AUDIO_PWM_L_N	O	GMAC1_TXD3/SDIO_D1_M1/I2S3_SCLK/AUDDSM_LN/FSPI_D1_M2/I2C6_SCL_M4/PWM11_IR_M0/SPI4_MOSI_M1/GPIO3_A1_u	BUS_IOC_GPIO3A_IOMUX_SEL_L[7:4]=4'h4
AUDIO_PWM_R_P	O	GMAC1_TXCLK/SDIO_CMD_M1/I2S3_SDI/AUDDSM_RP/UART8_RTSN_M1/SPI4_CS1_M1/GPIO3_A4_d	BUS_IOC_GPIO3A_IOMUX_SEL_H[3:0]=4'h4
AUDIO_PWM_R_N	O	GMAC1_RXD3/SDIO_D3_M1/I2S3_SDO/AUDDSM_RN/FSPI_D3_M2/UART8_RX_M1/SPI4_CS0_M1/GPIO3_A3_u	BUS_IOC_GPIO3A_IOMUX_SEL_L[15:12]=4'h4

## **27.6 Application Notes**

### **27.6.1 Software Application Notes**

Steps to configure Digital DAC to work in audio PWM mode 0 are as follows.

1. Program CRU in the SOC system to achieve the operation frequency of Digital DAC.
2. Program ACDCDIG\_DACINT\_DIV to 0x07.
3. Program ACDCDIG\_DACCLKCTRL to 0x3d.
4. Program ACDCDIG\_DACCLKRXINT\_DIV if Digital DAC I2S RX acts as master.
5. Program ACDCDIG\_DACPWM\_CTRL to 0x58.
6. Program ACDCDIG\_I2S\_CKR0 and ACDCDIG\_I2S\_CKR1 to set I2S RX related registers.
7. Program ACDCDIG\_I2S\_CLR to clear RX logic.

8. Program ACDCDIG\_I2S\_RXCR0 and ACDCDIG\_I2S\_RXCR1.
9. Program SYS\_GRF\_SOC\_CON6[11] to 1'b1 and program registers of I2S3 that is connected to Digital Audio Codec. Don't start transfer at this time.
10. Program DAC related registers such as ACDCDIG\_DACHPF, ACDCDIG\_DACVUCTL and ACDCDIG\_DACCFG1 to achieve basic configuration.
11. Program ACDCDIG\_I2S\_XFER to start I2S RX.
12. Program registers of I2S3 outside Digital Audio Codec to start TX.
13. Program ACDCDIG\_DACDIGEN to enable digital DAC channels. From now on, the Digital Audio Codec begins to work.

Steps to configure Digital Audio Codec to end audio PWM mode 0 transfer are as follows.

1. Program registers of I2S3 to stop TX and ACDCDIG\_I2S\_XFER to stop RX.
2. Program ACDCDIG\_DACPWM\_CTRL to 0x0.
3. Program ACDCDIG\_DACDIGEN to disable digital DAC channels.
4. Program ACDCDIG\_DACCLKCTRL to 0x0. Wait ACDCDIG\_DACCLKCTRL.dac\_sync\_status until read back to be 1'b0.

Steps to configure Digital DAC to work in audio PWM mode 1 are as follows.

1. Program CRU in the SOC system to achieve the operation frequency of Digital DAC.
2. Program ACDCDIG\_DACCLKCTRL to 0x3d.
3. Program ACDCDIG\_DACSCLKRXINT\_DIV if Digital DAC I2S RX acts as master.
4. Program ACDCDIG\_DACPWM\_CTRL to 0x68.
5. Program ACDCDIG\_I2S\_CKR0 and ACDCDIG\_I2S\_CKR1 to set I2S RX related registers.
6. Program ACDCDIG\_I2S\_CLR to clear RX logic.
7. Program ACDCDIG\_I2S\_RXCR0 and ACDCDIG\_I2S\_RXCR1.
8. Program SYS\_GRF\_SOC\_CON6[11] to 1'b1 and program registers of I2S3 to start TX.
9. Program ACDCDIG\_I2S\_XFER to start I2S RX. From now on, the Digital Audio Codec begins to work.

Steps to configure Digital Audio Codec to end audio PWM mode 1 transfer are as follows.

1. Program registers of I2S3 to stop TX and ACDCDIG\_I2S\_XFER to stop RX.
2. Program ACDCDIG\_DACPWM\_CTRL to 0x0.
3. Program ACDCDIG\_DACCLKCTRL to 0x0. Wait ACDCDIG\_DACCLKCTRL.dac\_sync\_status until read back to be 1'b0.

## Chapter 28 Voice Activity Detect (VAD)

### 28.1 Overview

Voice Activity Detect (VAD) is used to detect the amplitude of voice which is received by Analog Mic, I2S Digital Mic or PDM digital Mic when SoC is in low power mode. If the amplitude of voice is over threshold, the VAD will assert interrupt to wake up SoC, then SoC will exit low power mode.

VAD supports the following features:

- Support AHB bus interface
- Support read voice data from I2S1, PDM0
  - Support to configure the voice source address
  - Support to configure increment or fixed for the direction of voice data address
  - Support DMA request and acknowledge
  - Support transfer 1~8 burst per DMA request
  - Support read 1~8 Mic voice data, and only support single Mic voice detection, user can select any Mic voice data to detect the amplitude of voice
  - Support 16/24 bits voice data
- Support voice amplitude detection
  - Support an Amplifier for the voice data
  - Support a IIR high pass filter for the voice frequency band, and the filter coefficient can be configured
  - Support a voice detect threshold that take the ambient noise to account
- Support Multi-Mic array data storing
  - Buffer memory is shared with Internal SRAM
  - The start and end address of storing can be configured
  - When current storing address is up to end address, it will loop to start address and overlap previous data, it will also assert a flag
  - Support 3 data storing mode: mode 0 start storing data after the voice detect event, mode 1 start storing after VAD is enabled and mode 2 do not storing data
  - Support storing data through bus or ram write interface
- Support a level combined interrupt
  - Support voice detect interrupt
  - Support time out interrupt
  - Support transfer error interrupt
  - Support data transfer interrupt

### 28.2 Block Diagram

VAD comprises with:

- AHB\_MASTER: AHB Master Interface
- AHB\_SRAM\_IF: AHB Slave Interface
- VAD\_REG\_BANK: Register bank
- DMAC\_ENGINE: DMA control engine
- VAD\_DET: Voice detection

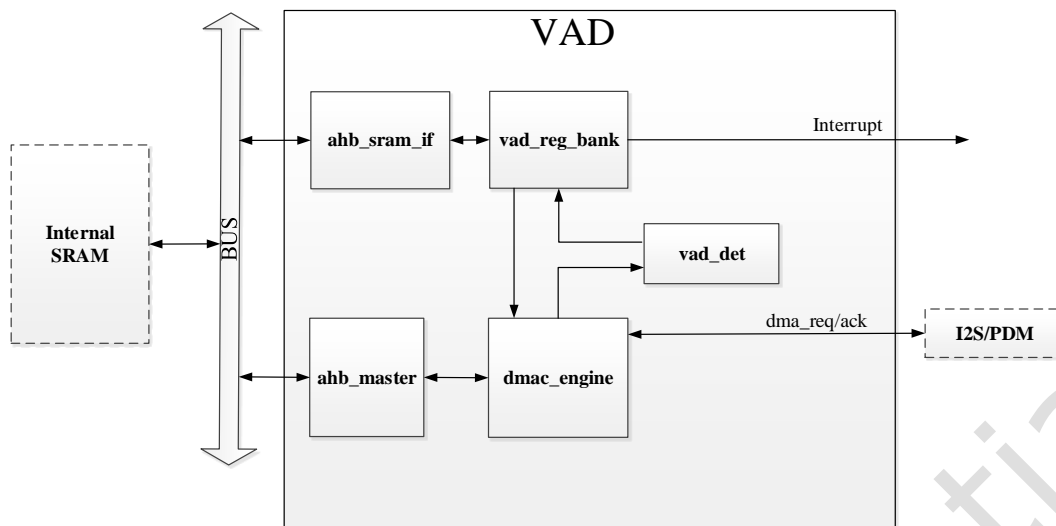


Fig. 28-1 VAD Block Diagram

## 28.3 Function Description

### 28.3.1 DMAC\_ENGINE

DMAC\_ENGINING is used to read voice data from one of I2S\_8CH\_0 or PDM, and it can store all channels data to Internal SRAM. If the bus can be access, user can configure to store through bus. Otherwise user should configure to store through ram write interface. When VAD is working, user can change the data storing mode dynamically. The storing address can be continuous transition or be spitted.

The voice data can be 16 or 24 bits:

- When it's 16 bits, it must be half word transfer mode that low 16 bits in a word for left channel and high 16 bits in a word for right channel.
- When it's 24bits, it must be word transfer mode that only 24 bits data is valid in a word, and it support left or right justified.

DMAC\_ENGINING also select and send one channel data to vad\_det for voice detection. vad\_det only support 16 bits data to detect the amplitude of voice, so when the voice data is 24 bits, user can use the high or low 16 bits in 24 bits.

- When use high bits, the data value will be divided by 256.
- When use low bits, the data value will be saturation to 16 bits.

### 28.3.2 VAD\_DET

VAD\_DET is used to detect the amplitude of voice.

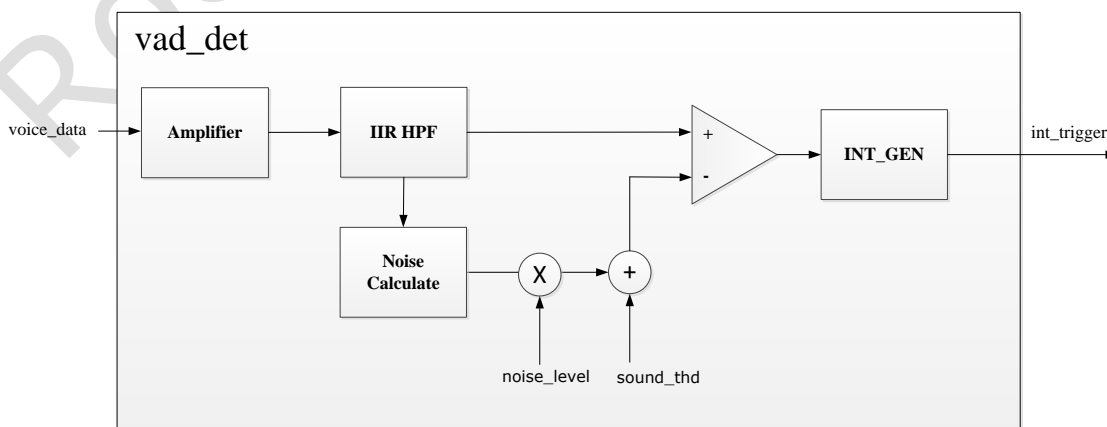




Fig. 28-2 VAD\_DET Block Diagram

**Amplifier**

$\text{voice\_amplitude\_amplified} = \text{gain} * \text{voice\_amplitude\_original} / 8.$

**IIR HPF**

There is a high pass filter for the human voice frequency band, the filter is a two order direct I type IIR. The following formula describes:

$$y(n) = -a1 * y(n-1) - a2 * y(n-2) + b0 * x(n) + b1 * x(n-1) + b2 * x(n-2)$$

The coefficient  $a1$ ,  $a2$ ,  $b0$ ,  $b1$  and  $b2$  are all quantified by multiplying 16384 and represented as 16 bits, the result in follow registers that can be configured: `iir_anum_0`, `iir_anum_1`, `iir_anum_2`, `iir_aden_1` and `iir_aden_2`.

The output of HPF need some time to achieve convergence after VAD is enabled.

**Noise Calculate**

VAD support a voice detection threshold that take the ambient noise to account:

- VAD calculate the average amplitude of voice data within `noise_sample_num` samples, the result is regard as the noise value of one frame. The noise value of last 128 frames also can be configured directly.
- VAD find the minimum noise value within `noise_frm_num` frames, the result is regard as the `noise_min`(minimum noise value).User can configure `min_noise_find_mode` to change the mode to find the minimum noise.
- The `noise_min` will be smooth updated to `noise_abs`(current noise value), the formula is as follow:  $\text{noise\_abs} = (\text{noise\_abs} * \text{noise\_alpha} + \text{noise\_min} * (256 - \text{noise\_alpha})) / 256.$  `noise_abs` will be updated once every frame. `noise_abs` also can be configured directly, and it is not clear until VAD is reset.

**Voice Detect Threshold**

The final threshold is  $\text{sound\_thd} + \text{noise\_abs} * \text{noise\_level}.$

**INT\_GEN**

VAD support 3 modes to assert the voice detection interrupt.

- Normal mode: When equal or more than a number (`vad_con_thd`) of continuous samples over the threshold, the voice detection interrupt will be asserted. The `vad_con_thd` can be configured by register.
- Allow an exception mode: base on normal mode, it can be configured to allow exceptions during continuous sample judgment. The exception number can be configured by register. When the exceptions is more, the voice detect condition is less strict.
- Accumulating mode: A counter is used for accumulating, the counter will plus 1 when current sample is over threshold (it will not plus when it reach maximum value 256), the counter will minus 1 when current sample is not over threshold (it will not minus when it reach 0); When the counter is equal or more than a number (`vad_con_thd`), the voice detection interrupt will be asserted. Compare with normal mode, the voice detect condition is less strict when use the same value of `vad_con_thd`.

## 28.4 Register Description

### 28.4.1 Registers Summary

Name	Offset	Size	Reset Value	Description
<u>VAD_CONTROL</u>	0x0000	W	0x03000000	Control register
<u>VAD_VS_ADDR</u>	0x0004	W	0x00000000	Voice source address register
<u>VAD_TIMEOUT</u>	0x004c	W	0x00000000	Timeout register
<u>VAD_RAM_START_ADDR</u>	0x0050	W	0xffff88000	RAM start address register
<u>VAD_RAM_END_ADDR</u>	0x0054	W	0xffffbfff8	RAM end address register
<u>VAD_RAM_CUR_ADDR</u>	0x0058	W	0x00000000	RAM current address register
<u>VAD_DET_CON0</u>	0x005c	W	0x01024008	Detect control register0
<u>VAD_DET_CON1</u>	0x0060	W	0x04ff0064	Detect control register1
<u>VAD_DET_CON2</u>	0x0064	W	0x3bf5e663	Detect control register2
<u>VAD_DET_CON3</u>	0x0068	W	0x3bf58817	Detect control register3
<u>VAD_DET_CON4</u>	0x006c	W	0x382b8858	Detect control register4
<u>VAD_DET_CON5</u>	0x0070	W	0x00000000	Detect control register5
<u>VAD_INT</u>	0x0074	W	0x00000200	VAD Interrupt register
<u>VAD_AUX_CON0</u>	0x0078	W	0x00000000	Auxiliary control register0
<u>VAD_SAMPLE_CNT</u>	0x007c	W	0x00000000	Sample counter register
<u>VAD_RAM_START_ADDR_BUS</u>	0x0080	W	0xffff88000	RAM start address register for bus write mode
<u>VAD_RAM_END_ADDR_BUS</u>	0x0084	W	0xffffbfff8	RAM end address register for bus write mode
<u>VAD_RAM_CUR_ADDR_BUS</u>	0x0088	W	0x00000000	RAM current address register for bus write mode
<u>VAD_AUX_CON1</u>	0x008c	W	0x00000000	Auxiliary control register1
<u>VAD_NOISE_FIRST_DATA</u>	0x0100	W	0x00000000	Noise first data register
<u>VAD_NOISE_LAST_DATA</u>	0x02fc	W	0x00000000	Noise last data register

Notes: **Size:** **B**- Byte (8 bits) access, **HW**- Half WORD (16 bits) access, **W**-WORD (32 bits) access

### 28.4.2 Detail Register Description

#### VAD\_CONTROL

Address: Operational Base + offset (0x0000)

Bit	Attr	Reset Value	Description
31:29	RW	0x0	vad_det_channel Index of the channel for voice detect, from channel 0 to channel 7
28	RW	0x0	voice_24bit_sat The mode of voice 24bit data change to 16bit 1'b0: Get the high 16bit data(divided by 256) 1'b1: Saturation from 24bit to 16bit
27	RW	0x0	voice_24bit_align_mode Align mode of channel 24bit width 1'b0: 8~31bits is valid 1'b1: 0~23bits is valid

Bit	Attr	Reset Value	Description
26	RW	0x0	voice_channel_bitwidth 1'b0: 16bits 1'b1: 24bits
25:23	RW	0x6	voice_channel_num Voice channel number, the value N means N+1 channel
22	RO	0x0	reserved
21:20	RW	0x0	vad_mode 2'h0: Begin to store the data after voice detect 2'h1: Begin to store the data after VAD is enable 2'h2: Don't store the data 2'h3: Reserved
19:15	RO	0x0	reserved
14	RW	0x0	source_fixaddr_en Direction of source address 1'b0: Increment 1'b1: Fixed
13:10	RW	0x0	incr_length INCR burst length, 0~15 is valid. It is valid when source_burst is set to 3'h1.
9:7	RW	0x0	source_burst_num Source burst number per dma_req, the value N means N+1 burst
6:4	RW	0x0	source_burst 3'h0: SINGLE 3'h1: INCR 3'h3: INCR4 3'h5: INCR8 3'h7: INCR16 Others: Reserved
3:1	RW	0x0	source_select Voice source select 3'h0: I2S0 3'h1: I2S1 3'h2: PDM Others: Reserved
0	RW	0x0	vad_en VAD enable 1'b0: Disable 1'b1: Enable

**VAD VS ADDR**

Address: Operational Base + offset (0x0004)

Bit	Attr	Reset Value	Description
31:0	RW	0x00000000	vs_addr Voice source address

**VAD TIMEOUT**

Address: Operational Base + offset (0x004c)

Bit	Attr	Reset Value	Description
31	RW	0x0	work_timeout_en Work timeout enable 1'b0: Disable 1'b1: Enable
30	RW	0x0	idle_timeout_en Idle timeout enable 1'b0: Disable 1'b1: Enable
29:20	RW	0x000	work_timeout_thd work timeout threshold, the unit is one cycle of hclk
19:0	RW	0x00000	idle_timeout_thd Idle timeout threshold, the unit is one cycle of hclk

**VAD RAM START ADDR**

Address: Operational Base + offset (0x0050)

Bit	Attr	Reset Value	Description
31:0	RW	0x00000000	ram_start_addr RAM start address to store voice data, the address must be double word alignment

**VAD RAM END ADDR**

Address: Operational Base + offset (0x0054)

Bit	Attr	Reset Value	Description
31:0	RW	0x00000000	ram_end_addr RAM end address to store voice data, the address must be double word alignment

**VAD RAM CUR ADDR**

Address: Operational Base + offset (0x0058)

Bit	Attr	Reset Value	Description
31:0	RW	0x00000000	ram_cur_addr RAM current address to store voice data, The last valid double word data is at address ram_cur_addr-0x8. When the ram_loop_flag is valid, the valid voice data will be ram_cur_addr ~ ram_end_addr ~ loop to ram_begin_addr ~ ram_cur_addr-0x8. When the ramp_loop_flag is not valid, the valid voice data will be ram_begin_addr ~ ram_cur_addr-0x8

**VAD DET CON0**

Address: Operational Base + offset (0x005c)

Bit	Attr	Reset Value	Description
31:30	RO	0x0	reserved
29:28	RW	0x0	vad_thd_mode Threshold mode for vad_con_thd 2'b00: Normal mode 2'b01: Allow an exception mode 2'b10: Accumulating mode 2'b11: Reserved
27:24	RW	0x1	dis_vad_con_thd In the determining of continuous sample number exceed threshold, allow some number of sample as an exception. It's valid only when vad_thd_mode=1. When this value is lower, the voice detect condition is more strict
23:16	RW	0x02	vad_con_thd When continuous sample number( $\geq$ vad_con_thd) exceed threshold, then assert the vad_det interrupt, the value N means N+1. When this value is higher, the voice detect condition is more strict
15	RO	0x0	reserved
14:12	RW	0x4	noise_level Noise level, valid value is 0x1~0x6 when this value is higher, the voice detect condition is more strict
11:0	RW	0x008	gain The gain control of voice data amplifier, the value of gain is unsigned and is valid from 0 to 4095. voice_amplitude_amplified=gain*voice_amplitude_original/8.

**VAD DET CON1**

Address: Operational Base + offset (0x0060)

Bit	Attr	Reset Value	Description
31	RO	0x0	reserved
30	RW	0x0	min_noise_find_mode Minimal noise value find mode 1'b0: Always find the value at the range of noise_frm_num 1'b1: When receive N frame: if N is less than noise_frm_num, find the value at the range of N; if N is more than noise_frm_num, find the value at the range of noise_frm_num
29	RW	0x0	clean_noise_at_begin 1'b0: The noise will be clean only at the begin of the first time VAD is enable after reset 1'b1: The noise will be clean every time at the begin of VAD is enable

Bit	Attr	Reset Value	Description
28	RW	0x0	force_noise_clk_en Force noise calculate clk enable 1'b0: The clock will be auto gating for low power 1'b1: The clock will be always enable
27	RO	0x0	reserved
26	RW	0x1	clean_iir_en Clean IIR filter when VAD is disable 1'b0: Not clean 1'b1: Clean
25:16	RW	0x0ff	noise_sample_num The number of sample in one frame to calculate the noise, the value N means N+1 sample. When this value is higher, the voice detect condition is more strict
15:0	RW	0x0064	sound_thd Initial sound threshold when this value is higher, the voice detect condition is more strict

**VAD DET CON2**

Address: Operational Base + offset (0x0064)

Bit	Attr	Reset Value	Description
31:16	RW	0x3bf5	iir_anum_0 IIR numerator coefficient b0
15:8	RW	0xe6	noise_alpha The update smooth speed of noise When this value is lower, the voice detect condition is more strict
7	RO	0x0	reserved
6:0	RW	0x63	noise_frm_num The number of frame to calculate the noise, the value N means N+1 frame. When this value is lower, the voice detect condition is more strict

**VAD DET CON3**

Address: Operational Base + offset (0x0068)

Bit	Attr	Reset Value	Description
31:16	RW	0x3bf5	iir_anum_2 IIR numerator coefficient b2
15:0	RW	0x8817	iir_anum_1 IIR numerator coefficient b1

**VAD DET CON4**

Address: Operational Base + offset (0x006c)

Bit	Attr	Reset Value	Description
31:16	RW	0x382b	iir_aden_2 IIR demoninator coefficient a2
15:0	RW	0x8858	iir_aden_1 IIR demoninator coefficient a1

**VAD\_DET\_CON5**

Address: Operational Base + offset (0x0070)

Bit	Attr	Reset Value	Description
31:16	RO	0x0000	iir_result Voice real time data after IIR filter
15:0	RW	0x0000	noise_abs Noise abs value

**VAD\_INT**

Address: Operational Base + offset (0x0074)

Bit	Attr	Reset Value	Description
31:13	RO	0x0	reserved
12	RO	0x0	ramp_loop_flag_bus RAM adress loop flag for AHB bus interface write mode. Only valid when bus_write_addr_mode=1'b1. 1'b0: Not loop 1'b1: Loop
11	W1 C	0x0	vad_data_trans_int VAD data transfer interrupt 1'b0: Interrupt not generated 1'b1: Interrupt generated
10	RW	0x0	vad_data_trans_int_en VAD data transfer interrupt enable 1'b0: Disable 1'b1: Enable
9	RW	0x0	vad_idle VAD idle flag 1'b0: Not idle 1'b1: Idle
8	RO	0x0	ramp_loop_flag RAM address loop flag 1'b0: Not loop 1'b1: Loop
7	W1 C	0x0	work_timeout_int Work timeout interrupt 1'b0: Interrupt not generated 1'b1: Interrupt generated

Bit	Attr	Reset Value	Description
6	W1 C	0x0	idle_timeout_int Idle timeout interrupt 1'b0: Interrupt not generated 1'b1: Interrupt generated
5	RW	0x0	error_int Error interrupt 1'b0: Interrupt not generated 1'b1: Interrupt generated
4	W1 C	0x0	vad_det_int VAD detect interrupt 1'b0: Interrupt not generated 1'b1: Interrupt generated
3	RW	0x0	work_timeout_int_en Wrok timeout interrupt enable 1'b0: Disable 1'b1: Enable
2	RW	0x0	idle_timeout_int_en Idle timeout interrupt enable 1'b0: Disable 1'b1: Enable
1	RW	0x0	error_int_en Error interrupt enable 1'b0: Disable 1'b1: Enable
0	RW	0x0	vad_det_int_en VAD detect interrupt enable 1'b0: Disable 1'b1: Enable

**VAD\_AUX\_CON0**

Address: Operational Base + offset (0x0078)

Bit	Attr	Reset Value	Description
31:30	RO	0x0	reserved
29	RW	0x0	sample_cnt_en Sample counter enable 1'b0: Disable 1'b1: Enable
28	RW	0x0	int_trig_ctrl_en The VAD detection interrupt trigger control enable. 1'b0: Disable, the VAD detection interrupt is always trigger 1'b1: Enable, the VAD detection interrupt trigger is controlled by int_trig_valid_thd



Bit	Attr	Reset Value	Description
27:16	RW	0x000	int_trig_valid_thd VAD detection interrupt trigger valid threshold. The VAD detection interrupt will be triggered valid after sample_cnt exceed int_trig_valid_thd. The value N means N+1, The unit is one voice sample point.
15	RO	0x0	reserved
14	RW	0x0	ram_write_rework_addr_mode The rework address for RAM interface write mode. 1'b0: Store the data from the current address 1'b1: Store the data from the start address
13	RW	0x0	bus_write_rework_addr_mode The rework address for bus write mode. 1'b0: Store the data from the current address 1'b1: Store the data from the start address
12	RW	0x0	bus_write_addr_mode The address selection when use AHB bus interface write mode. 1'b0: Use RAM_START_ADDR, RAM_END_ADDR, RAM_CUR_ADDR(same with RAM interface write mode). The internal address will continuous when dynamic change between bus write mode and RAM interface write mode. 1'b1: Use RAM_START_ADDR_BUS, RAM_END_ADDR_BUS and RAM_CUR_ADDR_BUS.
11:4	RW	0x00	data_trans_kbyte_thd Data transfer number threshold, the unit is KByte. The value N means N+1 KByte. The interrupt is generated per data_trans_kbyte_thd+1 KBytes.
3	RO	0x0	reserved
2	RW	0x0	data_trans_trig_int_en Trigger an interrupt for data transfer, It's valid only when bus_write_en=1'b1. 1'b0: Disable 1'b1: Enable
1	RW	0x0	dis_ram_itf Disable write voice data to Internal SRAM through RAM interface 1'b0: Enable ram interface 1'b1: Disable ram interface
0	RW	0x0	bus_write_en Enable write voice data to Internal SRAM through AHB bus interface 1'b0: Disable 1'b1: Enable

**VAD SAMPLE CNT**

Address: Operational Base + offset (0x007c)

Bit	Attr	Reset Value	Description
31:0	RO	0x00000000	sample_cnt Sample counter

**VAD RAM START ADDR BUS**

Address: Operational Base + offset (0x0080)

Bit	Attr	Reset Value	Description
31:0	RW	0x00000000	ram_start_addr_bus RAM start address to store voice data, the address must be double word alignment. Only used for bus write mode and when bus_write_addr_mode=1'b1.

**VAD RAM END ADDR BUS**

Address: Operational Base + offset (0x0084)

Bit	Attr	Reset Value	Description
31:0	RW	0x00000000	ram_begin_addr_bus RAM start address to store voice data, the address must be double word alignment. Only used for bus write mode and when bus_write_addr_mode=1'b1.

**VAD RAM CUR ADDR BUS**

Address: Operational Base + offset (0x0088)

Bit	Attr	Reset Value	Description
31:0	RW	0x00000000	ram_cur_addr_bus RAM current address to store voice data. Only used for bus write mode and when bus_write_addr_mode=1'b1. The last valid double word data is at address ram_cur_addr_bus-0x8. When the ram_loop_flag_bus is valid, the valid voice data will be ram_cur_addr_bus ~ ram_end_addr_bus ~ loop to ram_begin_addr_bus ~ ram_cur_addr_bus-0x8. When the ramp_loop_flag is not valid, the valid voice data will be ram_begin_addr_bus ~ ram_cur_addr_bus-0x8

**VAD AUX CON1**

Address: Operational Base + offset (0x008c)

Bit	Attr	Reset Value	Description
31:17	RO	0x0	reserved
16	RW	0x0	data_trans_int_mode_sel Data transfer number threshold selection for interrupt trigger 1'b0: Data_trans_kbyte_thd 1'b1: Data_trans_word_thd
15:0	RW	0x0000	data_trans_word_thd Data transfer number threshold, the unit is word. The value N means N+1 words. The interrupt is generated per trans_word_thd+1 words.

**VAD NOISE FIRST DATA**

Address: Operational Base + offset (0x0100)

Bit	Attr	Reset Value	Description
31:16	RO	0x0	reserved
15:0	RW	0x0000	noise_first_data Noise first data

**VAD NOISE LAST DATA**

Address: Operational Base + offset (0x02fc)

Bit	Attr	Reset Value	Description
31:16	RO	0x0	reserved
15:0	RW	0x0000	noise_last_data Noise last data

**28.5 Application Notes**

**28.5.1 VAD usage flow**

VAD usage flow is shown as following figures.

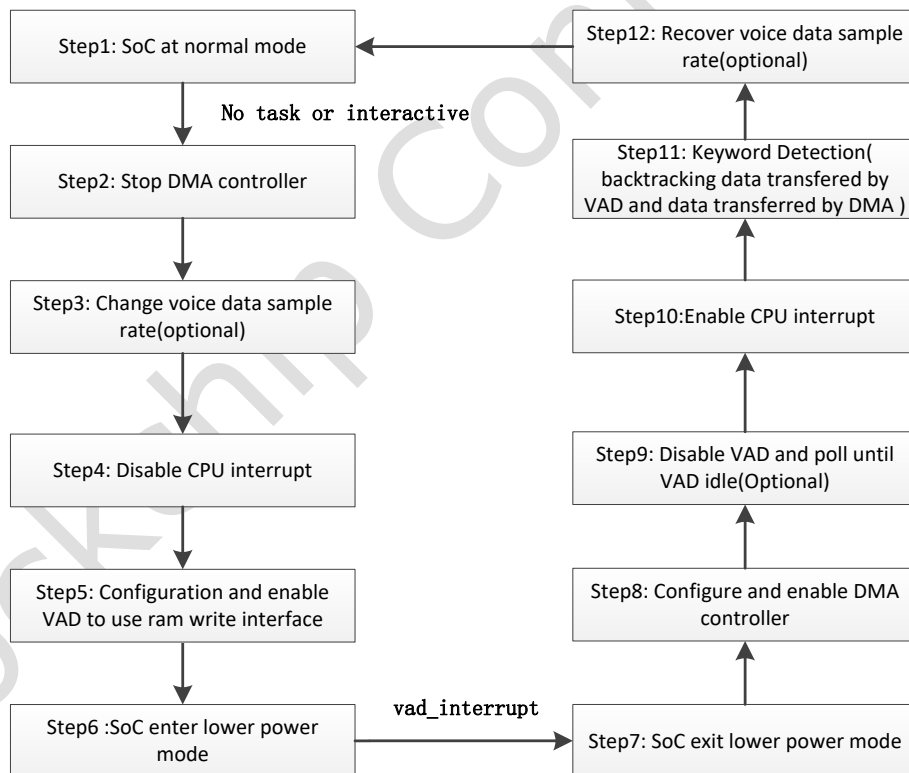


Fig. 28-3 VAD usage flow (only used ram write interface mode)

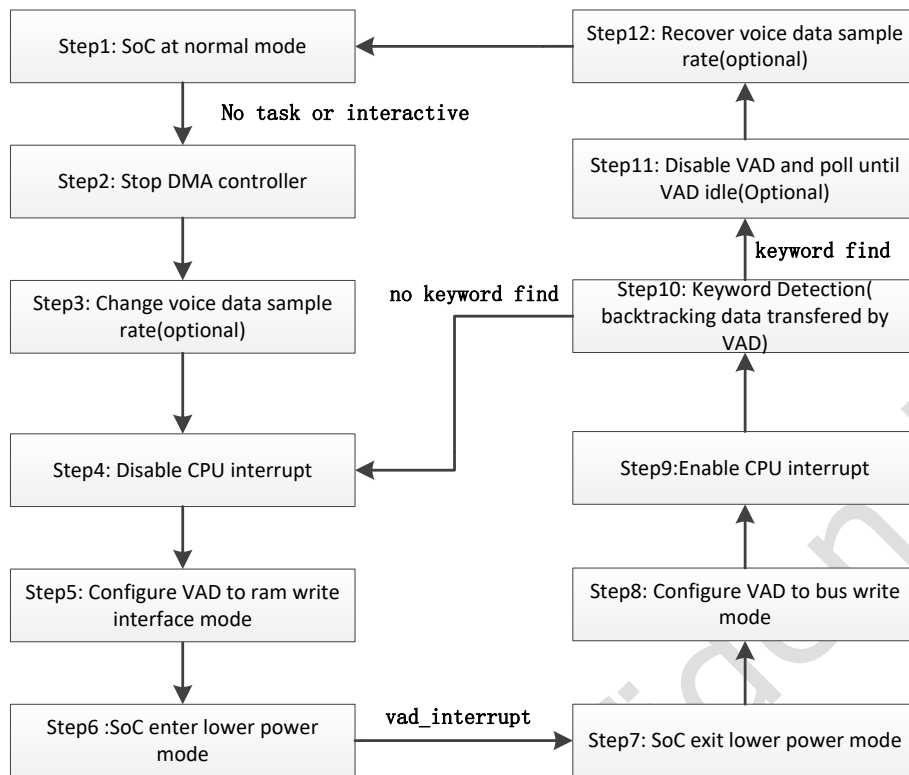


Fig. 28-4 VAD usage flow (use bus mode and ram write interface mode)

- Step3, step12 are optional, user should consider the power consumption and keyword detection accuracy for these steps.
- Disable VAD step is optional, user can keep VAD working, and use it as a DMA Controller.

### 28.5.2 VAD configuration usage flow

- Set VAD\_VS\_ADDR.vs\_addr=I2S\_8CH\_0 base address + I2S\_8CH\_INCR\_RXDR.
- Set VAD\_RAM\_BEGIN\_ADDR.ram\_begin\_addr and VAD\_RAM\_END\_ADDR.ram\_end\_addr, the address should match with the Internal SRAM sharing scheme.
- Set to bus write mode or ram interface mode when enable VAD  
Set VAD\_AUX\_CON0.bus\_write\_en=0, and VAD\_AUX\_CON0.dis\_ram\_itf =0 to enable VAD as ram interface write mode.  
Set VAD\_AUX\_CON0.bus\_write\_en=1, and VAD\_AUX\_CON0.dis\_ram\_itf =1 to enable VAD as bus write mode.
- Adjust the sensitivity of voice activity detect by setting follow registers:  
VAD\_DET\_CON0.noise\_level  
VAD\_DET\_CON0.vad\_con\_thd  
VAD\_DET\_CON0.dis\_vad\_con\_thd  
VAD\_DET\_CON0.vad\_thd\_mode  
VAD\_DET\_CON1.noise\_sample\_num  
VAD\_DET\_CON1.sound\_thd  
VAD\_DET\_CON2.noise\_frm\_num  
VAD\_DET\_CON2.noise\_alpha
- Set the iir\_anum\_0~3 and iir\_aden\_1~2 to adjust the IIR HPF coefficient.  
For 48Khz sample rate:  
iir\_anum\_0: 0x382d  
iir\_anum\_1: 0x8fa5  
iir\_anum\_2: 0x382d  
iir\_aden\_1: 0x909b  
iir\_aden\_2: 0x3150  
For 16Khz sample rate (default):  
iir\_anum\_0: 0x3bf5  
iir\_anum\_1: 0x8817  
iir\_anum\_2: 0x3bf5

iir\_aden\_1: 0x8858  
iir\_aden\_2: 0x382b  
For 8Khz sample rate:  
iir\_anum\_0: 0x3e9f  
iir\_anum\_1: 0x82c2  
iir\_anum\_2: 0x3e9f  
iir\_aden\_1: 0x82c9  
iir\_aden\_2: 0x3d46

- Set DET\_CON5.noise\_abs to ambient noise which is calculated by software.  
Set VAD\_NOISE\_DATA+offset to initial the noise data of all frames. The frame number is VAD\_DET\_CON2.noise\_frm\_num.  
The first frame noise data address is VAD\_NOISE\_DATA, the second frame noise data address is VAD\_NOISE\_DATA+0x4, and so on.
- Set VAD\_INT.vad\_det\_int\_en=0x1 to enable the interrupt.
- Set VAD\_AUX\_CONTROL to disable detection at the beginning after VAD is enabled.  
Set sample\_cnt\_en=0x1  
Set int\_trig\_ctrl\_en=0x1  
Set int\_trig\_valid\_thd to appropriate value, it recommended configuration to 4ms.  
For 48Khz sample rate: int\_trig\_valid\_thd= 0xc0  
For 16Khz sample rate: int\_trig\_valid\_thd= 0x40  
For 8Khz sample rate: int\_trig\_valid\_thd= 0x20
- Set VAD\_CONTROL register:  
Set source\_select=0x1, select I2S\_8CH\_0  
Set source\_burst=0x3, select INCR4 burst type  
Set source\_burst\_num=0x0, select 1 burst transfer per DMA request  
Set vad\_mode=0x0, select Mode 0  
Set voice\_channel\_num=0x7, all voice channel number is 8  
Set voice\_channel\_bitwidth=0x0, voice data width is 16 bits  
Set vad\_det\_channel=0x0, use channel 0 to voice activity detect  
Set vad\_en=0x1, enable VAD
- After above setting, VAD will start to work and system can enter low power mode.  
When VAD is working, user can configure the VAD\_AUX\_CON0.bus\_write\_en and VAD\_AUX\_CON0.ram\_itf\_dis to change the data storing mode dynamically. The storing address can be continuous transition or be spitted. It's controlled by following bits:  
VAD\_AUX\_CON0.bus\_write\_addr\_mode  
VAD\_AUX\_CON0.bus\_write\_rework\_addr\_mode  
VAD\_AUX\_CON0.ram\_write\_rework\_addr\_mode

### **28.5.3 Data Transfer Interrupt usage flow**

When VAD is working at bus write mode. User can get data transfer interrupt by following additional configuration.

- Set VAD\_AUX\_CONTROL.data\_trans\_trig\_int\_en=0x1
- Set VAD\_AUX\_CONTROL.data\_trans\_kbyte\_thd at appropriate value
- Set VAD\_INT.vad\_data\_trans\_int\_en=0x1

### **28.5.4 Timeout configuration usage flow**

- Set VAD\_TIMEOUT.idle\_timeout\_thd=0xfffff, set VAD\_TIMEOUT.idle\_timeout\_en=0x1, set VAD\_INT.idle\_timeout\_int=0x1. After above setting, a counter is increase at AHB clock when dmac\_engine is idle, the counter will be clear to 0 once dmac\_engine start to read voice data. An interrupt will be asserted when the counter up to idle\_timeout\_thd. This idle timeout is used for I2S/PDM work fail (Don't assert DMA request for a long time).
- Set VAD\_TIMEOUT.work\_timeout\_thd=0x3ff, set VAD\_TIMEOUT.work\_timeout\_en=0x1, set VAD\_INT.work\_timeout\_int=0x1. After above setting, a counter is increase at AHB clock when dmac\_engine is busy, the counter will be clear to 0 once dmac\_engine is idle. An interrupt will be asserted when the counter up to work\_timeout\_thd. This work timeout is used for bus transmission congestion (a burst transferring is not completed for a long time).

## Chapter 29 CAN

### 29.1 Overview

CAN (Controller Area Network) bus is a robust vehicle bus standard designed to allow microcontrollers and devices to communicate with each other in applications without a host computer. It is a message-based protocol, designed originally for multiplex electrical wiring within automobiles to save on copper, but is also used in many other contexts.

### 29.2 Features

The features listed below which may or may not be present in actual product, may be subject to the third party licensing requirements. Please contact Rockchip for actual product feature configurations and licensing requirements.

CAN controller supports the following features:

- Support CAN 2.0B protocol
- Support 32-bit APB bus
- Support transmit or receive CAN standard frame
- Support transmit or receive CAN extended frame
- Support transmit or receive data frame, remote frame, overload frame, error frame and frame interval
- Support transmit or receive error count
- Support acceptance filtering
- Support Bit error, Bit stuffing error, Form error, ACK error and CRC error
- Support multiple types of interrupt and all interrupt can be masked
- Support CAN controller status query
- Support capture the bit position of arbitration section where the arbitration was lost
- Support error code check
- Support self-test mode
- Support single sample and three sample configurable
- Support SJW(Resynchronization Jump Width) configurable
- Support BRP(system prescale coefficient) configurable
- Support bit timing configurable
- Support loop-back mode for self-test operation
- Support silent mode for debug
- Support receive self-transmit data mode(rxstx\_mode)
- Support TX data and RX data order select
- Support RX data cover mode
- Support auto retransmission mode
- Support auto bus on after bus-off state
- Support space\_rx\_mode
- Support transmitter delay compensation and SSP position configurable
- Support sleep mode
- Support timestamp
- Support transmit event FIFO
- Support 2 transmit buffers
- Support receive buffer/FIFO mode
- Support protocol exception event
- Support DMA

## 29.3 Function Description

### 29.3.1 Block Diagram

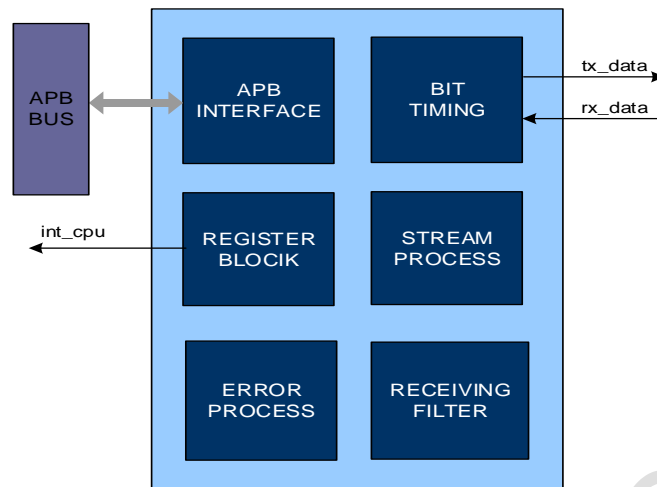


Fig. 29-1 CAN Controller Block Diagram

This version of CAN controller includes the previous version of CAN logic in compliance with old software application and new version of CAN logic with new software application.

### 29.3.2 ACCEPTANCE FILTER

The acceptance filter performs filtering using the acceptance ID register and the ID mask register. The acceptance filter uses multiple-time filtering. It includes the old version receiving filter and five addition ID filters. Each ID filter pair has a Filter Mask register and a Filter ID register. Each filter pair is controlled by corresponding FILTER CTRL bit in AFR register. For each pair using ID register and ID mask register (controlled by acceptance filter register) sampling all the bits of the ID, it is compared with the ID register. It is not a comparison every time a bit is sampled. And don't check the bit in the ID mask register that is 1. Once all the ID bits have passed the filtering, the controller considers the frame data as the desired ID, thereby performing the next operation.

### 29.3.3 BIT TIMING

#### 29.3.3.1 Bit Timing Logic

The bit timing logic controls the sampling point position through the buffer bits in the timing register to ensure the accuracy of the data sampling. The bit timing logic receives the clock frequency division signal for identification, sets the bus timing parameters, establishes synchronization parameters, and adjusts the bus transmission rate. At the same time, the bus is monitored and the message to be sent is transmitted to the bus at the set timing. According to the provisions of the CAN protocol: the CAN bus is always at a high level when no message is sent, and the continuous recessive bit is monitored on the bus. At this time, the bus is in an idle state, and the arbitration priority is low, ready to receive data at any time. When the bus detects a transition from a recessive bit to a dominant bit, it is proved that the frame start bit starts transmitting, and the bus performs a hard synchronization in the bit start sync segment. Then, in the process of receiving the message, once the edge of the transition close to the sampling point is detected and the edge of the edge and the synchronization segment have a phase error lower than the synchronization width (SJW is taken when the value exceeds SJW), the controller executes once resynchronization, resynchronization can be performed multiple times during one data transmission.

#### 29.3.3.2 Bit Timing Definition

The transmission time of each bit is divided into 4 parts:

$$t_{nbt} = t_{sync\_seg} + t_{prop\_seg} + t_{phase\_seg1} + t_{phase\_seg2}$$

$t_{sync\_seg}$ ,  $t_{prop\_seg}$ ,  $t_{phase\_seg1}$  and  $t_{phase\_seg2}$  are integer multiples of the unit time( $t_{sclk}$ ), and

this unit time is a specific multiple of the system clock, which is determined by the division factor BRP in the bus timing register: 1. The counter is obtained by the BRP operation; 2. The system clock is counted by the counter; 3. When the limit is reached, a clock with a period of  $t_{sclk}$  is generated.

In the system design, considering the cyclical occurrence of each time period, a state machine with three states is used in the bit timing design. The three states correspond to the sync segment(sync\_seg) and the phase buffer segment 1 (phase\_seg1=phase\_seg1+prog\_seg) and the phase buffer segment 2 (phase\_seg2), respectively. Where PHASE\_SEG1 range: 1~16; PHASE\_SEG2 range: 1~8; BRP range: 1~64.

$$t_{sync\_seg} = 1 \times t_{sclk}$$

$$t_{prop\_seg} + t_{phase\_seg1} = t_{sclk} \times (8 \times TSEG1.3 + 4 \times TSEG1.2 + 2 \times TSEG1.1 + TSEG1.0 + 1)$$

$$t_{phase\_seg2} = t_{sclk} \times (4 \times TSEG2.2 + 2 \times TSEG2.1 + TSEG1.0 + 1)$$

Define a counter to count  $t_{sclk}$ . When the count reaches the TSEG1, TSEG2 defined in the bus timing register and the length of the synchronization segment defined in the design, the system will generate the corresponding transition conditions: go\_seg1, go\_seg2, go\_sync. By judging these transition conditions, the control state machine cycles through the above three states.

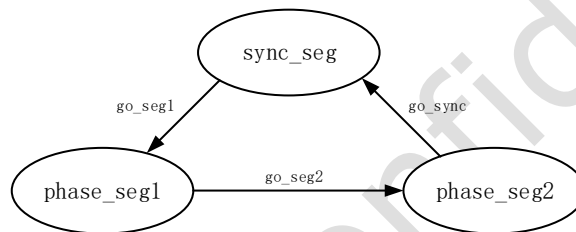


Fig. 29-2 Bit timing FSM

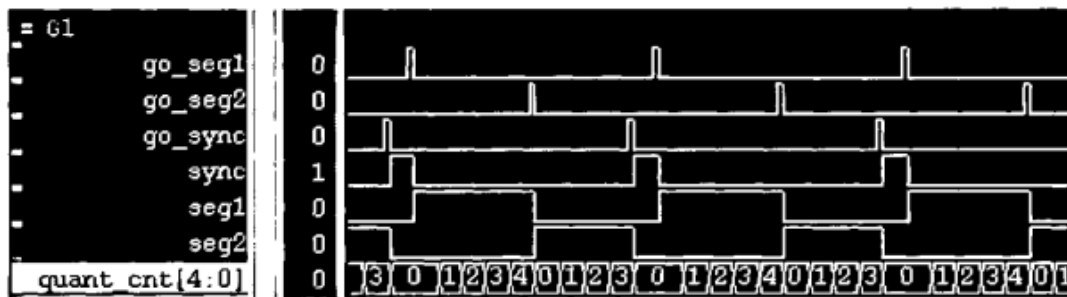
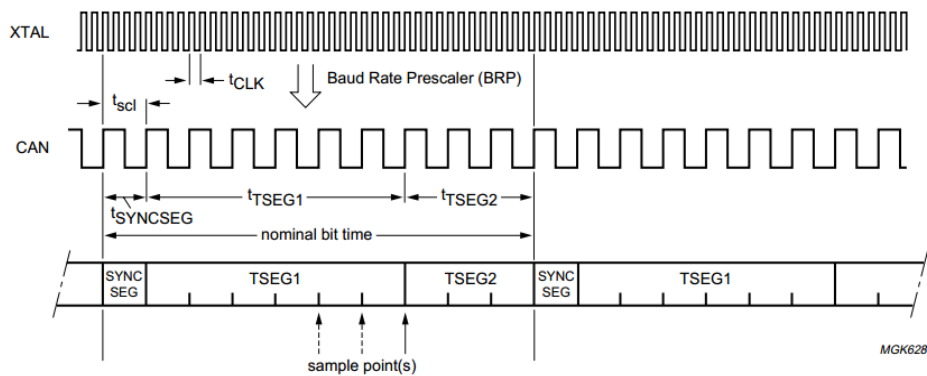


Fig. 29-3 Bit timing waveform diagram

### 29.3.3.3 Sampling Point and Sending Point

**Sampling Point:** According to the agreement, the sample point should be between phase\_seg1 and phase\_seg2. It is designed to be in the position of phase\_seg2 synchronization. The sampling pulse width is defined as one system clock cycle. Considering the accuracy of sampling, you can use the method of taking three samples to take the mean. The interval between each sample point is one  $t_{sclk}$ .





Possible values are BRP = 000001, TSEG1 = 0101 and TSEG2 = 010.

Fig. 29-4 Three sampling diagram

**Sending Point:** The location of the transmit point should be at the beginning of each bit time according to the protocol, and it is designed to synchronize it with the go\_sync signal. In addition, if it is in sync or resynchronize, transmit point will be valid immediately.

### 29.3.3.4 Bit Synchronization

With the synchronization method, one or more nodes that satisfy the synchronization condition align their synchronization segments with the transmission data on the bus at a specific time. Synchronization occurs on the 1-to-0 transition edge in order to control the distance from the transition edge to the sample point. Two synchronization methods are defined in the CAN bus communication protocol: hard synchronization and resynchronization.

**Hard sync:** All nodes must be synchronized to the leading edge of the starting frame of the node that first started transmitting the message. At the beginning of each frame of data, a synchronization action is taken between the nodes.

Hard synchronization implementation method: determine whether the bus state meets the frame start condition specified in the protocol, and the node is not in the state of the data to be transmitted. At this time, a hard synchronization flag signal hard sync is generated, and the pulse width is a system clock; The hard sync entry is added to the control condition of the go\_seg1 signal, and go\_seg1 is valid immediately when the hard sync signal is '1'. Therefore, once the hard synchronization condition is met, the system enters the phase\_seg1 segment, thereby achieving synchronization.

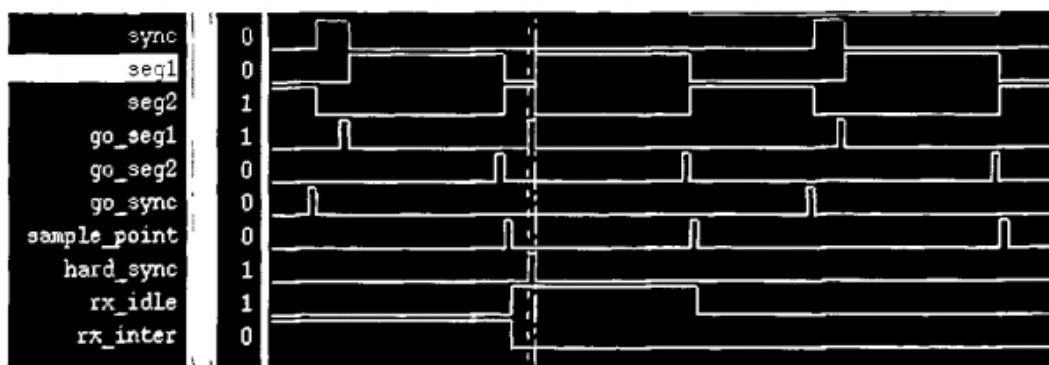


Fig. 29-5 Hard sync waveform diagram

**Resynchronization:** In addition to generating hard synchronization at the beginning of each frame of data, the CAN bus communication protocol also specifies the transmission of data for each frame. When the timing coordination between the nodes is not ideal, it will be resynchronized, so that the cooperation between the nodes is in a good state.

For the receiver, the bus changes it received should occur in the sync segment. Once the receiver's status violates this rule, the receiver will perform a resynchronization.

Two situations that require resynchronization:

- The jump of the bus value '1' to '0' occurs between the sync segment and the sample

- point, which is a delay jump;
- The jump of the bus value '1' to '0' occurs between the sample point and the sync segment, which is an early jump.

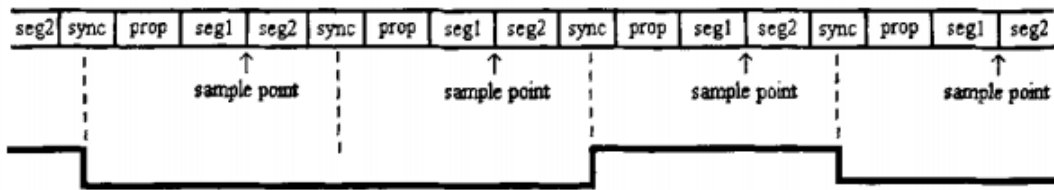


Fig. 29-6 Resynchronization

Resynchronization method:

1. Condition for resynchronization: the receiver is in a mode of receiving data (not inter-frame space or bus idle), and a resynchronization flag signal 'resync' is generated when a jump of the bus value '1' to '0' occurs;
2. According to the position of the resynchronization flag signal, it is determined that the abnormal jump is a delay jump or an early jump;
3. Counting the delay or the length of the advance by the counter;
4. In this bit, phase\_seg1 is added with a delay time or phase\_seg2 is subtracted from the advance time to obtain a new phase buffer time for the bit, thereby achieving synchronization.

### 29.3.4 STREAM PROCESS

#### 29.3.4.1 Data Buffering

The data cache includes two parts: a transmit buffer and a receive buffer. The data to be sent on the CAN bus is loaded into the buffer area. This buffer area is called the "transmission buffer"; The data received from the CAN bus is also stored in the buffer area, which is called the "receiver buffer". The size of the buffer is 13 bytes, including one-byte frame information, 2 to 4 bytes identifiers (standard or extended frame), and 8 bytes of data.

CPU configures the transmission of the data information (frame information, identification code, data), and then enable the transmit bit. The transmit data information is spliced into a parallel complete data to be transmitted (including the CRC check code) according to the current frame information and stored in transmission buffer. Stream process unit wait for the appropriate time to send data to the bit timing unit.

The received message is placed in the receiving buffer. After receiving, the receiving completion interrupt will be generated. After receiving the interrupt, the CPU will read the data in the receiving buffer and clear the receiving buffer, and STATE [0] will be 0. If the CPU does not read in time, STATE [1] will remain at 1. If a new message is received at this time, overflow will occur and not respond with ack by default.

In new design, there is another independent transmit buffer which has another corresponding transmit request bit. Besides, there is a receive FIFO can be configured to use. Rx data has a RDATA address to be read by host. The size of data is 18 word (one-word frame information, one-word Id, 16-words data) for transmit and 19 word (1-word timestamp additional) for receive. Rx FIFO has 32bits×128 memory space which allow to contain 6 receive message.

Two transmit request bit in CAN\_CMD corresponds to two transmit buffers. Transmit message must written to registers before setting transmit request bit. After setting transmit request bit, transmit messages in registers stores in corresponding transmit buffer. When the RKCAN buffer1 transmission frame complete, 'tx\_req\_1' is automatically cleared to 0. CAN support RX FIFO. When FIFO enabled, receive data stored in FIFO as Receive FIFO message format shown below. Receive data should read from the RXFIFO entrance. IF FIFO is disabled, receive data stored in RXDATA registers and should read from those registers every time.

Table 29-1 Receive FIFO message format

NAME	Offset	Access	Description
RX FIFO RB0-INFO	0x0000	RO	Same as <u>CAN_RXFRAMEINFO</u>
RX FIFO RB0-ID	0x0004	RO	Same as <u>CAN_RXID</u>
RX FIFO TB0-TIMESTAMP	0x0008	RO	RX TIMESTAMP VALUE
RX FIFO RB0-DATA0	0x000c	RO	Same as <u>CAN_RXDATA</u>
RX FIFO RB0-DATA1	0x0010	RO	Same as <u>CAN_RXDATA</u>
RX FIFO RB0-DATA2	0x0014	RO	Same as <u>CAN_RXDATA</u>
...	...	...	...
RX FIFO RB0-DATA15	0x0048	RO	Same as <u>CAN_RXDATA</u>

**29.3.4.2 Receive Data**

According to the bus protocol, taking the data frame of the extended frame format as an example, the receiving data state machine is as follows:

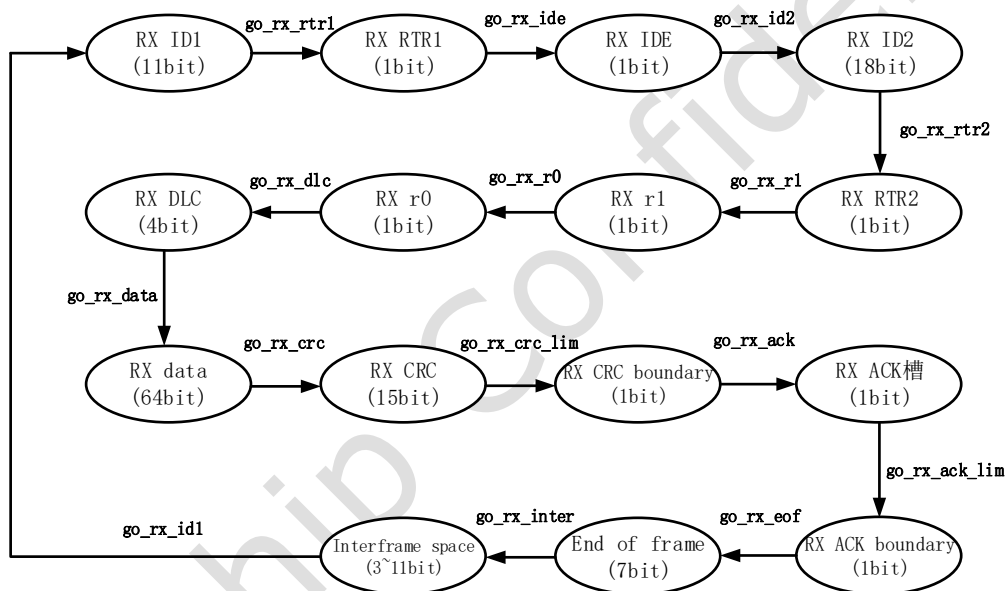


Fig. 29-7 Receive data state diagram

Each state of the state machine corresponds to which "field" of the frame data the receiver is in when receiving data, and only one of all state flags is valid at the same time. The method of implementation is as follows: Define a bit counter, add one to each sample point (provided by the bit timing module). At the same time, according to the current state of the state machine, it is determined in this state that the bit counter needs to count to what value (determined by the length of each field defined in the protocol) to generate a jump signal to the next state transition. Whenever a hopping signal is generated, the counter is cleared and ready to begin counting for the next state.

The receiving state machine ensures that the bus controller can automatically recognize the current receiving state when receiving data. After that, the data of each data field needs to be stored in the corresponding register according to different states, and then the next operation is performed.

**29.3.4.3 Transmit Data**

CAN accesses message element space of a buffer in TX block only if the respective request bit is set. The Host must respect access rules to avoid memory collisions, that is, after the Host sets a buffer ready request through the CMD register, it should not read or write the respective message element space until the respective request bit is in a clear/unset state.

Parallel data is serially transmitted to the bus according to a specific timing. The sending point is the tx\_point. The transmit counter is self-added in the valid data portion of the data frame, and is cleared when one frame of data is transmitted or the bus is in an error state. The implementation is as follows: Combine all the data to be sent into a completely parallel data chain according to the currently set frame type; Using tx\_pointer as a data link pointer, obtaining a serial data signal (tx\_bit) to be transmitted; Determine what type of data to send according to the current state, and determine the data tx\_next to be sent at the next transmission time; Synchronize the data transmission signal tx with the tx\_next through the transmission point tx\_point to obtain a true transmission signal tx.

**29.3.4.4 Bit Stuffing**

Bit stuffing is a function set to prevent burst errors. Add a bit of inversion data when the same level lasts 5 bits.

● **Sending unit**

The data between the SOF and CRC segments when transmitting data frames and remote frames. If the same level lasts for 5 bits, the next bit (bit 6) is inserted with the level of the 1st bit and the first 5 bits.

● **Receiving unit**

Data between SOF and CRC segments when receiving data frames and remote frames. If the same level lasts for 5 digits, the next bit (bit 6) needs to be deleted and received. If the 6th bit is the same level as the first 5 bits, it will be treated as an error and an error frame will be sent.

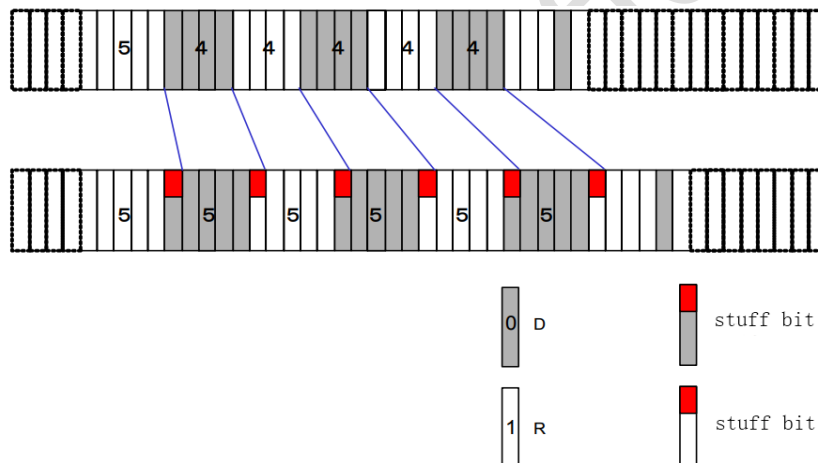


Fig. 29-8 Bit Stuffing

**29.3.4.5 Transmit Event FIFO**

The Transmit Event FIFO (TEF) allows the application to keep track of the order and time the messages were transmitted. The TEF works similar to a Receive FIFO, which is a 32bits×16 FIFO. Instead of storing received messages, it stores transmitted messages. Messages are only saved if TEF enable is set. The Sequence Number (SEQ) of the transmitted message is copied into the TEF Object. The payload data are not stored. Transmitted messages are timestamped if TEFTSEN is set. Transmit message format store in TXE FIFO as follow:

Table 29-2 TXE FIFO message format

NAME	Offset	Access	Description
TXE FIFO TB0-INFO	0x0000	RO	Same as <u>CAN_TXFRAMEINFO</u>
TXE FIFO TB0-ID	0x0004	RO	Same as <u>CAN_TXID</u>
TXE FIFO TB0-TIMESTAMP	0x0008	RO	TX TIMESTAMP VALUE
TXE FIFO TB1-INFO	0x000c	RO	Same as <u>CAN_TXFRAMEINFO</u>
TXE FIFO TB1-ID	0x0010	RO	Same as <u>CAN_TXID</u>
TXE FIFO TB1-TIMESTAMP	0x0014	RO	TX TIMESTAMP VALUE
...	...	...	...

**29.3.4.6 TIMESTAMP**

CAN Controller module contains a Time Base Counter(TBC). The TBC is a 32-bit free-running counter that increments on multiples of CAN clock and rolls over to zero. TBC can be cleared by writing any value to TBC.

- **TIMESTAMP\_CTRL** is used to configure the prescale for the TBC.
- Setting **TIMESTAMP\_CTRL.TBCEN** enables the TBC.
- Clearing **TBCEN** disables, stops and resets the TBC.
- The TBC has to be disabled before writing to TBC by clearing **TBCEN**.
- The application can read TBC at any time. Like with any multibyte counter, the application has to consider that the counter increments and might rollover between reading the different bytes of the counter. A rollover of the TBC will generate an interrupt.

Capturing of time stamps at the sample points of the Start of Frame bits of received and transmitted frames.

**29.3.5 ERROR PROCESS**

There are five types of errors. Multiple errors can occur at the same time.

● **BIT ERROR:**

A unit that is sending a bit on the bus also monitors the bus. A BIT ERROR has to be detected at that bit time, when the bit value that is monitored is different from the bit value that is sent. An exception is the sending of a 'recessive' bit during the stuffed bit stream of the ARBITRATION FIELD of during the ACK SLOT. Then no BIT ERROR occurs when a 'dominant' bit is monitored. A TRANSMITTER sending a PASSIVE ERROR FLAG and detecting a 'dominant' bit does not interpret this as a BIT ERROR.

● **BIT STUFF ERROR:**

A STUFF ERROR has to be detected at the bit time of the 6<sup>th</sup> consecutive equal bit level in a message field that should be coded by the method of bit stuffing.

● **FORM ERROR:**

A FORM ERROR has to be detected when a fixed-form bit field contains one or more illegal bits. (Exception is the detection of a dominant bit during the last bit of END OF FRAME by a RECEIVER, or the detection of a dominant bit during the last bit of ERROR DELIMITER or OVERLOAD DELIMITER by any node). FORM-ERROR.

● **ACK ERROR:**

An ACK ERROR has to be detected by a transmitter whenever it does not monitor a 'dominant' bit during the ACK SLOT.

● **CRC ERROR:**

The CRC sequence consists of the result of the CRC calculation by the transmitter. The receivers calculate the CRC in the same way as the transmitter. A CRC ERROR has to be detected, if the calculated result is not the same as that received in the CRC sequence.

**29.4 Register Description**

**29.4.1 Internal Address Mapping**

Slave address can be divided into different length for different usage, which is shown as

follows.

### 29.4.2 Registers Summary

Name	Offset	Size	Reset Value	Description
<u>CAN_MODE</u>	0x0000	W	0x00000000	Mode Configure Register
<u>CAN_CMD</u>	0x0004	W	0x00000000	Request Command Register
<u>CAN_STATE</u>	0x0008	W	0x00000000	Controller State Register
<u>CAN_INT</u>	0x000C	W	0x00000000	Interrupt State Register
<u>CAN_INT_MASK</u>	0x0010	W	0x00000000	Interrupt Mask Registers
<u>CAN_DMA_CTRL</u>	0x0014	W	0x00000000	DMA Mode Control Register
<u>CAN_BITTIMING</u>	0x0018	W	0x00000000	Bit Timing Configure Register. This register work in CAN mode.
<u>CAN_ARBITFAIL</u>	0x0028	W	0x00000000	Arbiter Fail Code Register
<u>CAN_ERROR_CODE</u>	0x002C	W	0x00000000	Error Code Register
<u>CAN_RXERRORCNT</u>	0x0034	W	0x00000000	Receive Error Counter Register
<u>CAN_TXERRORCNT</u>	0x0038	W	0x00000000	Transmit Error Counter Register
<u>CAN_IDCODE</u>	0x003C	W	0x00000000	ID Code Register
<u>CAN_IDMASK</u>	0x0040	W	0x00000000	ID Code Bit Mask Register
<u>CAN_TXFRAMEINFO</u>	0x0050	W	0x00000000	CAN Mode TX Frame Information Configuration Register
<u>CAN_TXID</u>	0x0054	W	0x00000000	CAN Mode Transmit ID Code Register.
<u>CAN_TXDATA0</u>	0x0058	W	0x00000000	CAN Mode Transmit Data0 Register.
<u>CAN_TXDATA1</u>	0x005C	W	0x00000000	CAN Mode Transmit Data1 Register.
<u>CAN_RXFRAMEINFO</u>	0x0060	W	0x00000000	CAN Mode RX Frame Information Register
<u>CAN_RXID</u>	0x0064	W	0x00000000	CAN Mode Receive ID.
<u>CAN_RXDATA0</u>	0x0068	W	0x00000000	CAN Mode Receive Data Reg0.
<u>CAN_RXDATA1</u>	0x006C	W	0x00000000	CAN Mode Receive Data Reg1.
<u>CAN_RTL_VERSION</u>	0x0070	W	0x00000022	CAN RTL version
<u>CAN_FD_NOMINAL_BITTIMING</u>	0x0100	W	0x00000000	CAN Nominal Bit Timing Configure Register
<u>CAN_TIMESTAMP_CTRL</u>	0x010C	W	0x00000000	Timestamp Counter Configure Register
<u>CAN_TIMESTAMP</u>	0x0110	W	0x00000000	Timestamp Counter
<u>CAN_TXEVENT_FIFO_CTRL</u>	0x0114	W	0x00000000	Tx Event FIFO Configure register
<u>CAN_RX_FIFO_CTRL</u>	0x0118	W	0x00000000	Rx FIFO Configure Register
<u>CAN_AFR_CTRL</u>	0x011C	W	0x00000000	Acceptance Filter Register Control
<u>CAN_IDCODE0</u>	0x0120	W	0x00000000	ID Code Register 0
<u>CAN_IDMASK0</u>	0x0124	W	0x00000000	ID Mask Register 0
<u>CAN_IDCODE1</u>	0x0128	W	0x00000000	ID Code Register 1
<u>CAN_IDMASK1</u>	0x012C	W	0x00000000	ID Mask Register 1

Name	Offset	Size	Reset Value	Description
<u>CAN_IDCODE2</u>	0x0130	W	0x00000000	ID Code Register 2
<u>CAN_IDMASK2</u>	0x0134	W	0x00000000	ID Mask Register 2
<u>CAN_IDCODE3</u>	0x0138	W	0x00000000	ID Code Register 3
<u>CAN_IDMASK3</u>	0x013C	W	0x00000000	ID Mask Register 3
<u>CAN_IDCODE4</u>	0x0140	W	0x00000000	ID Code Register 4
<u>CAN_IDMASK4</u>	0x0144	W	0x00000000	ID Mask Register 4
<u>CAN_NEW_TXFRAMEINFO</u>	0x0200	W	0x00000000	CAN TX Frame Information Configuration Register
<u>CAN_NEW_TXID</u>	0x0204	W	0x00000000	CAN Transmit ID Register
<u>CAN_NEW_TXDATA0</u>	0x0208	W	0x00000000	CAN Transmit DATA0
<u>CAN_NEW_TXDATA1</u>	0x020C	W	0x00000000	CAN Transmit DATA1
<u>CAN_NEW_RXFRAMEINFO</u>	0x0300	W	0x00000000	CAN RX Frame Information Configuration Register
<u>CAN_NEW_RXID</u>	0x0304	W	0x00000000	CAN Receive ID
<u>CAN_NEW_RXTIMESTAMP</u>	0x0308	W	0x00000000	CAN Receive Timestamp
<u>CAN_NEW_RXDATA0</u>	0x030C	W	0x00000000	CAN Receive Data Reg0.
<u>CAN_NEW_RXDATA1</u>	0x0310	W	0x00000000	CAN Receive Data Reg1.
<u>CAN_RX_FIFO_RDATA</u>	0x0400	W	0x00000000	Rx FIFO Read Data
<u>CAN_TXE_FIFO_RDATA</u>	0x0500	W	0x00000000	Tx Event FIFO Read Data

Notes: **Size:** **B**- Byte (8 bits) access, **HW**- Half WORD (16 bits) access, **W**-WORD (32 bits) access, **DW**- Double WORD (64 bits) access

### 29.4.3 Detail Registers Description

#### **CAN\_MODE**

Address: Operational Base + offset (0x0000)

Bit	Attr	Reset Value	Description
31:13	RO	0x0000	reserved
12	RW	0x0	space_rx_mode Interframe Spacing RX Mode. 1'b0: Enable. 1'b1: Disable.
11	RW	0x0	auto_bus_on Auto Bus on Enable. 1'b0: After the RKCAN has entered bus_off state, the software can start a bus_off_recovery sequence by resetting the work_mode to 0. 1'b1: Automatic reset TEC/REC to bus_on after 128 occurrences of 11 consecutive recessive bits have been monitored on the bus.
10	RW	0x0	auto_retx_mode Auto Retransmission Mode. 1'b0: Disable. RKCAN return to idle state after transmit DATA/RTR frame failed, and set tx_req to 0. 1'b1: Enable. The RKCAN automatically retransmit frames which have lost arbitration or have been disturbed by errors during transmission.
9	RW	0x0	ovld_mode Overload Mode. 1'b0: overload lite mode. 1'b1: overload extended mode. RKCAN

Bit	Attr	Reset Value	Description
8	RW	0x0	cover_mode Rx Data Cover Mode. 1'b0: RKCAN can't receive new frame before receive registers cleared. 1'b1: RKCAN can receive new frame before receive registers cleared, and new rxdata will cover old rxdata.
7	RW	0x0	rxsort_mode RX Data Sort Mode. 1'b0: The data received first is placed in the lower address. 1'b1: The data received first moves to the upper address, and the data received later is placed at the lower address.
6	RW	0x0	txorder_mode TX Data Order Mode. 1'b0: tx_data1[7:0] --> tx_data1[15:8] --> tx_data1[23:16] --> tx_data1[31:24] --> tx_data2[7:0] --> tx_data2[15:8] --> tx_data2[23:16] --> tx_data2[31:24]. 1'b1: tx_data2[31:0] --> tx_data1[31:0].
5	RW	0x0	rxstx_mode Receive Self Transmit data mode. 1'b0: Disable; 1'b1: Enable. When the RKCAN sends data, it can also receive the data sent by itself.
4	RW	0x0	lback_mode Loopback Mode. 1'b0: Disable. 1'b1: Enable.
3	RW	0x0	silent_mode Silent Mode. 1'b0: Disable. 1'b1: Enable.
2	RW	0x0	self_test Self check ACK slot when TX frame. 1'b0: Normal 1'b1: Self-test mode. When in self_test mode, the receiver does not need to return an ACK signal when receiving data. Therefore, no error ack will occur in self_test mode. When in lback_mode or silent_mode, it needs to enable self_test mode when sending frame.
1	RW	0x0	sleep_mode Sleep Mode This is the Sleep mode request bit. 1'b0: No such request. 1'b1: Request core to be in Sleep mode. This bit is cleared when the core wakes up from Sleep mode.
0	RW	0x0	work_mode Work Mode. 1'b0: Idle mode, CAN stop transmit and registers can be configured. 1'b1: Work mode, CAN enter the working mode, Receive/transmit data.

**CAN\_CMD**

Address: Operational Base + offset (0x0004)

Bit	Attr	Reset Value	Description
31:2	RO	0x00000000	reserved



Bit	Attr	Reset Value	Description
1	R/W SC	0x0	tx1_req Transmit request enable 1'b0: Disable 1'b1: Enable When 'tx1_req' is enable, the RKCAN buffer1 is in the transmit mode and cannot receive frames from other CANs. When the RKCAN buffer1 transmission frame complete, 'tx1_req' is automatically cleared to 0. Also, when RKCAN is set 'work_mode' to 'reset_mode', tx_req' is cleared to 0.
0	R/W SC	0x0	tx0_req Transmit request enable 1'b0: Disable 1'b1: Enable When 'tx0_req' is enable, the RKCAN buffer0 is in the transmit mode and cannot receive frames from other CANs. When the RKCAN buffer0 transmission frame complete, 'tx0_req' is automatically cleared to 0. Also, when RKCAN is set 'work_mode' to 'reset_mode', tx_req' is cleared to 0.

**CAN STATE**

Address: Operational Base + offset (0x0008)

Bit	Attr	Reset Value	Description
31:7	RO	0x0000000	reserved
6	RO	0x0	sleep_state Sleep state 1'b0: None 1'b1: CAN controller is in the sleep state
5	RO	0x0	bus_off_state Bus off state 1'b0: None 1'b1: Bus off state: When the error counter is incremented to 255, the CAN controller will enter the bus off state, generate an error warning interrupt and enter reset mode, waiting for the CPU to restart. (rx/tx_err_cnt >=32'd255)
4	RO	0x0	error_warning_state Error warning state 1'b0: None 1'b1: Error state: At least one error counter has reached the error warning threshold (rx/tx_err_cnt >=32'd96)
3	RO	0x0	tx_period Transmit state 1'b0: Not in transmit state 1'b1: CAN controller is in the transmit state
2	RO	0x0	rx_period Receive state 1'b0: Not in receive state 1'b1: CAN controller is in the receive state
1	RO	0x0	tx_buffer_full Transmit buffer full flag bit 1'b0: Not full 1'b1: TX buffer is full. There is data in buffer waiting to be sent or being sent.

Bit	Attr	Reset Value	Description
0	RO	0x0	rx_buffer_full Receive buffer full flag bit 1'b0: Not full 1'b1: RX buffer is full. A complete message is stored in the buffer.

**CAN\_INT**

Address: Operational Base + offset (0x000C)

Bit	Attr	Reset Value	Description
31:15	RO	0x00000	reserved
14	W1 C	0x0	wakeup_int Wakeup Interrupt 1'b0: None 1'b1: Indicates that the core entered Normal mode from Sleep mode. Write 1 then clear.
13	W1 C	0x0	txe_fifo_full_int TXE FIFO Full Interrupt 1'b0: None 1'b1: Indicates that TX Event FIFO is full based on watermark programming. The interrupt continues to assert as long as the TX Event FIFO Full Level is above TX Event FIFO Full watermark.
12	W1 C	0x0	tx_event_fifo_overflow_int TXE FIFO Overflow Interrupt 1'b0 None 1'b1 Indicates that a message has been lost. This condition occurs when the core has successfully transmitted a message for which an event store is requested but the TX Event FIFO is full.
11	W1 C	0x0	timestamp_counter_overflow_int Timestamp Overflow Interrupt 1'b0: None 1'b1: Indicates that Timestamp counter rolled over (from 0xffff to 0x0). Write 1 then clear.
10	W1 C	0x0	bus_off_recovery_int Bus off Recover Interrupt 1'b0: None 1'b1: Indicates that the core is recovered from Bus-off mode. Write 1 then clear.
9	W1 C	0x0	bus_off_int Bus Off Interrupt 1'b0: None 1'b1: Indicates that the CAN core entered Bus-off mode. Write 1 then clear.
8	W1 C	0x0	rx_fifo_overflow_int RX FIFO Overflow Interrupt (RX FIFO ENABLE). 1'b0: None 1'b1: Indicates that a message has been lost. This condition occurs when a new message with ID matching to Receive FIFO is received and the Receive FIFO is full.
7	W1 C	0x0	rx_fifo_full_int RX FIFO full Interrupt (FIFO Mode enable). 1'b0: None 1'b1: Indicates that RX FIFO is full based on watermark setting.

Bit	Attr	Reset Value	Description
6	W1 C	0x0	error_int Bus Error Interrupt 1'b0: None 1'b1: CAN bus error interrupt. This interrupt is generated when a bus error is detected. Error details can refer to the ERROR_CODE register. Write 1 then clear.
5	W1 C	0x0	tx_arbit_fail_int Transmit Arbitration loss Interrupt 1'b0: None 1'b1: Arbitration loss interrupt. This interrupt is generated when the loss of arbitration is turned into a receiver. Write 1 then clear.
4	W1 C	0x0	passive_error_int Passive Error Interrupt 1'b0: None 1'b1: Passive error interrupt. This interrupt is generated when the controller enters an error passive state (at least one error counter reaches 127) or returns from the error passive state to the error active state. Write 1 then clear.
3	W1 C	0x0	overload_int Overload Interrupt 1'b0: None 1'b1: CAN bus overload interrupt. This interrupt is generated when a overload frame is generated.
2	W1 C	0x0	error_warning_int Error warning interrupt 1'b0: None 1'b1: Error_warning_int. This interrupt is generated when the error_warning_state bits change. Write 1 then clear.
1	W1 C	0x0	tx_finish_int Transmit finish interrupt 1'b0: None 1'b1: Transmit finish interrupt. CAN controller sends the message. Write 1 then clear.
0	W1 C	0x0	rx_finish_int Receive Finish Interrupt 1'b0: None 1'b1: Receive finish int. CAN controller has received the message and the rx_buffer is full. Write 1 then clear.

**CAN INT MASK**

Address: Operational Base + offset (0x0010)

Bit	Attr	Reset Value	Description
31:15	RO	0x00000	reserved
14	RW	0x0	wakeup_int_mask 1'b0: Unmasked 1'b1: Masked
13	RW	0x0	txe_fifo_full_int_mask 1'b0: Unmasked 1'b1: Masked
12	RW	0x0	txe_fifo_overflow_int_mask 1'b0: Unmasked 1'b1: Masked
11	RW	0x0	timestamp_cnt_overflow_int_mask 1'b0: Unmasked 1'b1: Masked

Bit	Attr	Reset Value	Description
10	RW	0x0	bus_off_recovery_int_mask 1'b0: Unmasked 1'b1: Masked
9	RW	0x0	bus_off_int_mask 1'b0: Unmasked 1'b1: Masked
8	RW	0x0	rx_fifo_overflow_int_mask 1'b0: Unmasked 1'b1: Masked
7	RW	0x0	rx_fifo_full_int_mask 1'b0: Unmasked 1'b1: Masked
6	RW	0x0	error_int_mask 1'b0: Unmasked 1'b1: Masked
5	RW	0x0	tx_arbit_fail_int_mask 1'b0: Unmasked 1'b1: Masked
4	RW	0x0	passive_error_int_mask 1'b0: Unmasked 1'b1: Masked
3	RW	0x0	rx_buffer_overflow_int_mask 1'b0: Unmasked 1'b1: Masked
2	RW	0x0	error_warning_int_mask 1'b0: Unmasked 1'b1: Masked
1	RW	0x0	tx_finish_int_mask 1'b0: Unmasked 1'b1: Masked
0	RW	0x0	rx_finish_int_mask 1'b0: Unmasked 1'b1: Masked

**CAN DMA CTRL**

Address: Operational Base + offset (0x0014)

Bit	Attr	Reset Value	Description
31:2	RO	0x00000000	reserved
1	RW	0x0	dma_rx_mode DMA receive request enable 1'b0: Disable 1'b1: Enable When dma_rx_mode is enabled, the RKCAN is in the DMA receive mode. Also, when RKCAN is set work_mode to reset_mode, tx_req is clear.
0	RW	0x0	dma_tx_mode DMA Transmit request enable 1'b0: Disable 1'b1: Enable When dma_tx_mode is enabled, the RKCAN is in the DMA transmit mode. When RKCAN is set work_mode to reset_mode, tx_req is cleared to 0.

**CAN BITTIMING**

Address: Operational Base + offset (0x0018)

Bit	Attr	Reset Value	Description
31:17	RO	0x0000	reserved
16	RW	0x0	sample_mode CAN controller sampling mode configuration register. 1'b0: Single sample mode 1'b1: Three sample mode
15:14	RW	0x0	sjw SJW: Resynchronization Jump Width Each unit has a synchronization error due to a clock frequency deviation or a transmission delay. SJW is to compensate for the maximum value of this error.
13:8	RW	0x00	brp brp: system prescale coefficient $T_{sclk} = 2 \times T_{clk} \times (brp + 1)$ .
7	RO	0x0	reserved
6:4	RW	0x0	tseg2 Phase buffer segment 2 $T_{phase\_seg2} = T_{sclk} \times (tseg2 + 1)$
3:0	RW	0x0	tseg1 Phase buffer segment 1 $T_{phase\_seg1} = T_{sclk} \times (tseg1 + 1)$

**CAN ARBITFAIL**

Address: Operational Base + offset (0x0028)

Bit	Attr	Reset Value	Description
31:7	RO	0x0000000	reserved
6:0	RO	0x00	arbit_fail_code This register indicates the bit position of arbitration section where the arbitration was lost.

**CAN ERROR CODE**

Address: Operational Base + offset (0x002C)

Bit	Attr	Reset Value	Description
31:30	RO	0x0	reserved
29	RO	0x0	error_phase 1'b0: Arbitration Phase 1'b1: Data Phase
28:26	RO	0x0	error_type Error type: 3'b000: BIT ERROR 3'b001: BIT STUFF ERROR 3'b010: FORM ERROR 3'b011: ACK ERROR 3'b100: CRC ERROR
25	RO	0x0	error_direction 1'b0: TX error 1'b1: RX error

Bit	Attr	Reset Value	Description
24:16	RO	0x000	tx_error_position Indicate transmit error position. 9'b000000001: TRANSMIT_IDLE. 9'b000000010: TRANSMIT_SOF_DLC. 9'b000000100: TRANSMIT_DATA. 9'b000001000: TRANSMIT_STUFF_COUNT. 9'b000010000: TRANSMIT_CRC. 9'b000100000: TRANSMIT_ACK_EOF. 9'b001000000: TRANSMIT_ACK. 9'b010000000: TRANSMIT_ERROR. 9'b100000000: TRANSMIT_OVERLOAD.
15:0	RO	0x0000	rx_error_position Indicate receive error position 16'b00000000000000001: RECEIVE_IDLE 16'b00000000000000010: RECEIVE_SOF_IDE 16'b00000000000000100: RECEIVE_ID2_RTR 16'b00000000000001000: RECEIVE_FDF 16'b00000000000010000: RECEIVE_RES 16'b0000000000100000: RECEIVE_BRS_ESI 16'b0000000001000000: RECEIVE_DLC 16'b0000000010000000: RECEIVE_DATA 16'b0000000100000000: RECEIVE_STUFF_COUNT 16'b0000001000000000: RECEIVE_CRC 16'b0000010000000000: RECEIVE_CRC_LIM 16'b0000100000000000: RECEIVE_ACK 16'b0001000000000000: RECEIVE_ACK_LIM 16'b0010000000000000: RECEIVE_EOF 16'b0100000000000000: RECEIVE_SPACE 16'b1000000000000000: RECEIVE_BUF_INT

**CAN\_RXERRORCNT**

Address: Operational Base + offset (0x0034)

Bit	Attr	Reset Value	Description
31:8	RO	0x000000	reserved
7:0	RO	0x00	rx_err_cnt Receive Error Counter (REC). Actual state of the Receive Error Counter. Value between 0 and 127.

**CAN\_TXERRORCNT**

Address: Operational Base + offset (0x0038)

Bit	Attr	Reset Value	Description
31:9	RO	0x000000	reserved
8:0	RO	0x000	tx_err_cnt Transmit Error Counter (TEC). Actual state of the Transmit Error Counter. Value between 0 and 255.

**CAN\_IDCODE**

Address: Operational Base + offset (0x003C)

Bit	Attr	Reset Value	Description
31:29	RO	0x0	reserved

Bit	Attr	Reset Value	Description
28:0	RW	0x00000000	id_code CAN controller ID code: Standard frame ID: id_code[10:0]; Extended frame ID: id_code[28:0].

**CAN IDMASK**

Address: Operational Base + offset (0x0040)

Bit	Attr	Reset Value	Description
31:29	RO	0x0	reserved
28:0	RW	0x00000000	id_mask ID mask for each ID code bit 1'b0: Unmasked 1'b1: Masked

**CAN TXFRAMEINFO**

Address: Operational Base + offset (0x0050)

Bit	Attr	Reset Value	Description
31:8	RO	0x000000	reserved
7	RW	0x0	txframe_format 1'b0: Standard frame 1'b1: Extended frame
6	RW	0x0	tx_rtr 1'b0: Data frame 1'b1: Remote frame
5:4	RO	0x0	reserved
3:0	RW	0x0	txdata_length Transmit data length configure register. (unit: byte) 4'b0000: 0byte 4'b0001: 1byte 4'b0010: 2byte 4'b0011: 3byte 4'b0100: 4byte 4'b0101: 5byte 4'b0110: 6byte 4'b0111: 7byte 4'b1000: 8byte others: reserved

**CAN TXID**

Address: Operational Base + offset (0x0054)

Bit	Attr	Reset Value	Description
31:29	RO	0x0	reserved
28:0	RW	0x00000000	tx_id can_tx_id[28:0]

**CAN TXDATA0**

Address: Operational Base + offset (0x0058)

Bit	Attr	Reset Value	Description
31:0	RW	0x00000000	tx_data0 tx_data0

**CAN TXDATA1**

Address: Operational Base + offset (0x005C)

Bit	Attr	Reset Value	Description
31:0	RW	0x00000000	tx_data1 tx_data1

**CAN\_RXFRAMEINFO**

Address: Operational Base + offset (0x0060)

Bit	Attr	Reset Value	Description
31:8	RO	0x0000000	reserved
7	RC	0x0	rxframe_format 1'b0: Standard frame 1'b1: Extended frame This register needs to be read(clear) before receiving the next frame.
6	RC	0x0	rx_rtr 1'b0: Data frame 1'b1: Remote frame This register needs to be read(clear) before receiving the next frame.
5:4	RO	0x0	reserved
3:0	RC	0x0	rxdata_length Receive data length register. (unit: byte) 4'b0000: 0byte 4'b0001: 1byte 4'b0010: 2byte 4'b0011: 3byte 4'b0100: 4byte 4'b0101: 5byte 4'b0110: 6byte 4'b0111: 7byte 4'b1000: 8byte others: reserved This register needs to be read(clear) before receiving the next frame.

**CAN\_RXID**

Address: Operational Base + offset (0x0064)

Bit	Attr	Reset Value	Description
31:29	RO	0x0	reserved
28:0	RC	0x00000000	rx_id rx_id[28:0] This register needs to be read(clear) before receiving the next frame.

**CAN\_RXDATA0**

Address: Operational Base + offset (0x0068)

Bit	Attr	Reset Value	Description
31:0	RC	0x00000000	rx_data0 rx_data0[31:0] This register needs to be read(clear) before receiving the next frame.

**CAN\_RXDATA1**

Address: Operational Base + offset (0x006C)



Bit	Attr	Reset Value	Description
31:0	RC	0x00000000	rx_data1 rx_data1[31:0] This register needs to be read(clear) before receiving the next frame.

**CAN RTL VERSION**

Address: Operational Base + offset (0x0070)

Bit	Attr	Reset Value	Description
31:0	RO	0x00000022	version CAN rtl version = 32'h22

**CAN FD NOMINAL BITTIMING**

Address: Operational Base + offset (0x0100)

Bit	Attr	Reset Value	Description
31	RW	0x0	sample_mode CAN controller sampling mode configuration register. 1'b0: Single sample mode 1'b1: Three sample mode
30:24	RW	0x00	sjw SJW: Resynchronization Jump Width Each unit has a synchronization error due to a clock frequency deviation or a transmission delay. SJW is to compensate for the maximum value of this error.
23:16	RW	0x00	brq brp: system prescale coefficient $T_{sclk} = 2 \times T_{clk} \times (brp + 1)$ .
15	RO	0x0	reserved
14:8	RW	0x00	tseg2 Phase buffer segment 2 $T_{phase\_seg2} = T_{sclk} \times (tseg2 + 1)$
7:0	RW	0x00	tseg1 Phase buffer segment 1 $T_{phase\_seg1} = T_{sclk} \times (tseg1 + 1)$

**CAN FD DATA BITTIMING**

Address: Operational Base + offset (0x0104)

Bit	Attr	Reset Value	Description
31:22	RO	0x000	reserved
21	RW	0x0	sample_mode CAN controller sampling mode configuration register. 1'b0: Single sample mode 1'b1: Three sample mode
20:17	RW	0x0	sjw SJW: Resynchronization Jump Width Each unit has a synchronization error due to a clock frequency deviation or a transmission delay. SJW is to compensate for the maximum value of this error.
16:9	RW	0x00	brq brp: system prescale coefficient $T_{sclk} = 2 \times T_{clk} \times (brp + 1)$ .
8:5	RW	0x0	tseg2 Phase buffer segment 2 $T_{phase\_seg2} = T_{sclk} \times (tseg2 + 1)$

Bit	Attr	Reset Value	Description
4:0	RW	0x00	tseg1 Phase buffer segment 1 $T_{\text{phase\_seg1}} = T_{\text{clk}} \times (\text{tseg1} + 1)$

**CAN TRANSMIT DELAY COMPENSATION**

Address: Operational Base + offset (0x0108)

Bit	Attr	Reset Value	Description
31:7	RO	0x0000000	reserved
6:1	RW	0x00	tdc_offset Transmitter Delay Compensation Offset This offset is specified in CAN clock cycles and is added to the measured transmitter delay to place the Secondary Sample Point (SSP) at appropriate position (for example, set this to half data bit time in terms of CAN clock cycles to place SSP in the middle of the data bit).
0	RW	0x0	tdc_enable Transmitter Delay Compensation (TDC) Enable 1'b0: TDC is disabled 1'b1: Enables TDC function as specified in the CAN FD standard

**CAN TIMESTAMP CTRL**

Address: Operational Base + offset (0x010C)

Bit	Attr	Reset Value	Description
31:7	RO	0x0000000	reserved
6:1	RW	0x00	time_base_counter_prescale Time Base Counter Prescaler bit 0: TBC increments every 1 clock 1: TBC increments every 2 clocks ... 32: TBC increments every 32 clocks
0	RW	0x0	time_base_counter_enable Time Base Counter (TBC) Enable 1'b0: Disable and reset TBC 1'b1: Enables TBC

**CAN TIMESTAMP**

Address: Operational Base + offset (0x0110)

Bit	Attr	Reset Value	Description
31:0	RW	0x00000000	time_base_counter This Status field gives running value of the timestamp counter.

**CAN TXEVENT FIFO CTRL**

Address: Operational Base + offset (0x0114)

Bit	Attr	Reset Value	Description
31:9	RO	0x0000000	reserved
8:5	RO	0x0	txe_fifo_cnt TXE_FIFO_FRAME_CNT This field represents number of frames in TXE FIFO
4:1	RW	0x0	txe_fifo_watermark TX Event FIFO generates FULL interrupt based on the value programmed in this field. Set it within (1-15) range. The TX FIFO Full Watermark interrupt in the ISR register continues to assert as long as the TX Event FIFO Fill Level is above TX Event FIFO Full watermark.

Bit	Attr	Reset Value	Description
0	RW	0x0	txe_fifo_enable transmit event FIFO enable 1'b0: Disable 1'b1: Enable

**CAN RX FIFO CTRL**

Address: Operational Base + offset (0x0118)

Bit	Attr	Reset Value	Description
31:8	RO	0x0000000	reserved
7:5	RO	0x0	rx_fifo_cnt RX_FIFO_FRAME_CNT This field represents number of frames in Rx FIFO
6	RO	0x0	reserved
3:1	RW	0x0	rx_fifo_full_watermark RX FIFO Full Watermark. RX FIFO generates FULL interrupt based on the value programmed in this field. Set it within (1-5) range. The RX FIFO Full Watermark interrupt in the ISR register continues to assert as long as the RX FIFO-0 Fill Level is above RX FIFO Full watermark. This field can be written to only when CEN bit in SRR is 0.
0	RW	0x0	rx_fifo_enable receive FIFO enable bit 1'b0: Disable 1'b1: Enable

**CAN AFR CTRL**

Address: Operational Base + offset (0x011C)

Bit	Attr	Reset Value	Description
31:5	RO	0x0000000	reserved
4	RW	0x0	UAF5 Enable the use of acceptance filter pair 5 1'b0: Disable 1'b1: Enable
3	RW	0x0	UAF4 Enable the use of acceptance filter pair 4 1'b0: Disable 1'b1: Enable
2	RW	0x0	UAF3 Enable the use of acceptance filter pair 3 1'b0: Disable 1'b1: Enable
1	RW	0x0	UAF2 Enable the use of acceptance filter pair 2 1'b0: Disable 1'b1: Enable
0	RW	0x0	UAF1 Enable the use of acceptance filter pair 1 1'b0: Disable 1'b1: Enable

**CAN IDCODE0**

Address: Operational Base + offset (0x0120)

Bit	Attr	Reset Value	Description
31:29	RO	0x0	reserved
28:0	RW	0x00000000	id_code CAN controller ID code: Standard frame ID: id_code[10:0]; Extended frame ID: id_code[28:0].

**CAN\_IDMASK0**

Address: Operational Base + offset (0x0124)

Bit	Attr	Reset Value	Description
31:29	RO	0x0	reserved
28:0	RW	0x00000000	id_mask ID mask for each bit of ID code 1'b0: Unmasked 1'b1: Masked

**CAN\_IDCODE1**

Address: Operational Base + offset (0x0128)

Bit	Attr	Reset Value	Description
31:29	RO	0x0	reserved
28:0	RW	0x00000000	id_code CAN controller ID code: Standard frame ID: id_code[10:0]; Extended frame ID: id_code[28:0].

**CAN\_IDMASK1**

Address: Operational Base + offset (0x012C)

Bit	Attr	Reset Value	Description
31:29	RO	0x0	reserved
28:0	RW	0x00000000	id_mask ID mask for each bit of ID code 1'b0: Unmasked 1'b1: Masked

**CAN\_IDCODE2**

Address: Operational Base + offset (0x0130)

Bit	Attr	Reset Value	Description
31:29	RO	0x0	reserved
28:0	RW	0x00000000	id_code CAN controller ID code: Standard frame ID: id_code[10:0]; Extended frame ID: id_code[28:0].

**CAN\_IDMASK2**

Address: Operational Base + offset (0x0134)

Bit	Attr	Reset Value	Description
31:29	RO	0x0	reserved
28:0	RW	0x00000000	id_mask ID mask for each bit of ID code 1'b0: Unmasked 1'b1: Masked

**CAN\_IDCODE3**

Address: Operational Base + offset (0x0138)

Bit	Attr	Reset Value	Description
31:29	RO	0x0	reserved
28:0	RW	0x00000000	id_code CAN controller ID code: Standard frame ID: id_code[10:0]; Extended frame ID: id_code[28:0].

**CAN\_IDMASK3**

Address: Operational Base + offset (0x013C)

Bit	Attr	Reset Value	Description
31:29	RO	0x0	reserved
28:0	RW	0x00000000	id_mask ID mask for each bit of ID code 1'b0: Unmasked 1'b1: Masked

**CAN\_IDCODE4**

Address: Operational Base + offset (0x0140)

Bit	Attr	Reset Value	Description
31:29	RO	0x0	reserved
28:0	RW	0x00000000	id_code CAN controller ID code: Standard frame ID: id_code[10:0]; Extended frame ID: id_code[28:0].

**CAN\_IDMASK4**

Address: Operational Base + offset (0x0144)

Bit	Attr	Reset Value	Description
31:29	RO	0x0	reserved
28:0	RW	0x00000000	id_mask ID mask for each bit of ID code 1'b0: Unmasked 1'b1: Masked

**CAN\_NEW\_TXFRAMEINFO**

Address: Operational Base + offset (0x0200)

Bit	Attr	Reset Value	Description
31:8	RO	0x000000	reserved
7	RW	0x0	txframe_format 1'b0: Standard frame 1'b1: Extended frame
6	RW	0x0	tx_rtr 1'b0: Data frame 1'b1: Remote frame
5	RW	0x0	reserved
4	RW	0x0	reserved

Bit	Attr	Reset Value	Description
3:0	RW	0x0	txdata_length Transmit data length configure register. (unit: byte) 4'b0000: 0byte 4'b0001: 1byte 4'b0010: 2byte 4'b0011: 3byte 4'b0100: 4byte 4'b0101: 5byte 4'b0110: 6byte 4'b0111: 7byte 4'b1000: 8byte 4'b1001: 12byte 4'b1010: 16byte 4'b1011: 20byte 4'b1100: 24byte 4'b1101: 32byte 4'b1110: 48byte 4'b1111: 64byte

**CAN\_NEW\_TXID**

Address: Operational Base + offset (0x0204)

Bit	Attr	Reset Value	Description
31:29	RO	0x0	reserved
28:0	RW	0x00000000	tx_id can_tx_id[28:0]

**CAN\_NEW\_TXDATA0**

Address: Operational Base + offset (0x0208)

Bit	Attr	Reset Value	Description
31:0	RW	0x00000000	tx_data0 tx_data0

**CAN\_NEW\_TXDATA1**

Address: Operational Base + offset (0x020C)

Bit	Attr	Reset Value	Description
31:0	RW	0x00000000	tx_data1 tx_data1

**CAN\_NEW\_RXFRAMEINFO**

Address: Operational Base + offset (0x0300)

Bit	Attr	Reset Value	Description
31:8	RO	0x000000	reserved
7	RO	0x0	rxframe_format 1'b0: Standard frame 1'b1: Extended frame
6	RO	0x0	rx_rtr 1'b0: Data frame 1'b1: Remote frame
5	RO	0x0	reserved
4	RO	0x0	reserved

Bit	Attr	Reset Value	Description
3:0	RO	0x0	rxdata_length Transmit data length configure register. (unit: byte) 4'b0000: 0byte 4'b0001: 1byte 4'b0010: 2byte 4'b0011: 3byte 4'b0100: 4byte 4'b0101: 5byte 4'b0110: 6byte 4'b0111: 7byte 4'b1000: 8byte 4'b1001: 12byte 4'b1010: 16byte 4'b1011: 20byte 4'b1100: 24byte 4'b1101: 32byte 4'b1110: 48byte 4'b1111: 64byte

**CAN\_NEW\_RXID**

Address: Operational Base + offset (0x0304)

Bit	Attr	Reset Value	Description
31:29	RO	0x0	reserved
28:0	RO	0x00000000	rx_id can_rx_id[28:0]

**CAN\_RXTIMESTAMP**

Address: Operational Base + offset (0x0308)

Bit	Attr	Reset Value	Description
31:0	RO	0x00000000	timestamp rx_timestamp

**CAN\_NEW\_RXDATA0**

Address: Operational Base + offset (0x030C)

Bit	Attr	Reset Value	Description
31:0	RO	0x00000000	rx_data0 rx_data0[31:0] This register refresh after receiving the next frame.

**CAN\_NEW\_RXDATA1**

Address: Operational Base + offset (0x0310)

Bit	Attr	Reset Value	Description
31:0	RO	0x00000000	rx_data1 rx_data1[31:0] This register refresh after receiving the next frame.

**CAN\_RX\_FIFO\_RDATA**

Address: Operational Base + offset (0x0400)

Bit	Attr	Reset Value	Description
31:0	RO	0x00000000	rx_fifo_rdata Receive FIFO read data value

**CAN\_TXE\_FIFO\_RDATA**

Address: Operational Base + offset (0x0500)

Bit	Attr	Reset Value	Description
31:0	RO	0x00000000	txe_fifo_rdata Transmit event FIFO read data value

## 29.5 Interface Description

Table 29-3 CAN Interface Description

Module Pin	Direction	Pad Name	IOMUX Setting
<b>CAN0mux0 Interface</b>			
can0_rx	I	I2S1_SCLK_RX_M1/PDM0_CLK0_M1/PWM1_M0/I2C2_SDA_M0/CAN0_RX_M0/SPI0_MOSI_M0/PCIE30X1_0_CLKREQN_M0/GPIO0_C0_d	BUS_IOC_GPIO0C_IOMUX_SEL_L[3:0]=4'hb
can0_tx	O	I2S1_LRCK_TX_M1/PWM0_M0/I2C2_SCL_M0/CAN0_TX_M0/SPI0_CS1_M0/PCIE30X1_1_PERSTN_M0/GPIO0_B7_d	BUS_IOC_GPIO0B_IOMUX_SEL_H[15:12]=4'hb
<b>CAN0mux1 Interface</b>			
can0_rx	I	SDMMC_CLK/PDM1_CLK0_M0/TEST_CLKOUT_M0/MCU_JTAG_TMS_M0/CAN0_RX_M1/UART5_TX_M0/GPIO4_D5_d	BUS_IOC_GPIO4D_IOMUX_SEL_H[7:4]=4'h9
can0_tx	O	SDMMC_CMD/PDM1_CLK1_M0/MCU_JTAG_TCK_M0/CAN0_TX_M1/UART5_RX_M0/PWM7_IR_M1/GPIO4_D4_u	BUS_IOC_GPIO4D_IOMUX_SEL_H[3:0]=4'h9
<b>CAN1mux0 Interface</b>			
can1_rx	I	GMAC1_TXEN/I2S2_SCLK_TX_M1/CAN1_RX_M0/UART3_TX_M1/PWM12_M0/GPIO3_B5_u	BUS_IOC_GPIO3B_IOMUX_SEL_H[7:4]=4'h9
can1_tx	O	GMAC1_MCLKINOUT/I2S2_LRCK_TX_M1/CAN1_TX_M0/UART3_RX_M1/PWM13_M0/GPIO3_B6_d	BUS_IOC_GPIO3B_IOMUX_SEL_H[11:8]=4'h9
<b>CAN1mux1 Interface</b>			
can1_rx	I	CIF_HREF/BT1120_D8/I2S1_SDO1_M0/PCIE30X1_1_BUTTON_RSTN/I2C7_SCL_M3/UART8_RTSN_M0/PWM14_M1/SPI0_CS0_M1/CAN1_RX_M1/GPIO4_B2_u	BUS_IOC_GPIO4B_IOMUX_SEL_L[11:8]=4'hc
can1_tx	O	CIF_VSYNC/BT1120_D9/I2S1_SDO2_M0/PCIE20X1_2_BUTTON_RSTN/I2C7_SDA_M3/UART8_CTSN_M0/PWM15_IR_M1/CAN1_TX_M1/GPIO4_B3_u	BUS_IOC_GPIO4B_IOMUX_SEL_L[15:12]=4'hc
<b>CAN2mux0 Interface</b>			
can2_rx	I	CIF_D8/FSPI_CS0N_M2/PCIE30X4_CLKREQN_M2/HDMI_TX1_CEC_M2/CAN2_RX_M0/UART5_TX_M1/SPI3_CS0_M3/GPIO3_C4_u	BUS_IOC_GPIO3C_IOMUX_SEL_H[3:0]=4'h9



Module Pin	Direction	Pad Name	IOMUX Setting
can2_tx	O	CIF_D9/FSPI_CS1N_M2/PCIE30X4_WAKE_N_M2/HDMI_TX1_SDA_M1/CAN2_TX_M0/UART5_RX_M1/SPI3_CS1_M3/GPIO3_C5_u	BUS_IOC_GPIO3C_IOMUX_SEL_H[7:4]=4'h9
<b>CAN2mux1 Interface</b>			
can2_rx	I	I2S1_SDO2_M1/PDM0_SDI2_M1/PWM3_IR_M0/I2C1_SCL_M2/CAN2_RX_M1/HDMI_TX0_SDA_M1/SPI3_CS0_M2/PCIE30X2_PERSTN_M0/SATA_CPDET/GPIO0_D4_u	BUS_IOC_GPIO0D_IOMUX_SEL_H[3:0]=4'ha
can2_tx	O	I2S1_SDO3_M1/CPU_BIG1_AVS/I2C1_SDA_M2/CAN2_TX_M1/HDMI_TX0_SCL_M1/SPI3_CS1_M2/SATA_MP_SWITCH/GPIO0_D5_u	BUS_IOC_GPIO0D_IOMUX_SEL_H[7:4]=4'ha

## 29.6 Application Notes

### 29.6.1 Controller initialization flow

The controller must configure the registers after power-up or hardware reset. During the operation of the controller, a software reset request may be sent and reconfigured (re-initialized) as shown below.

After the initialization is completed, the controller enters the working mode, sends the frame to be sent to the buffer, and then sets the "send request" flag of the command register to start transmitting.

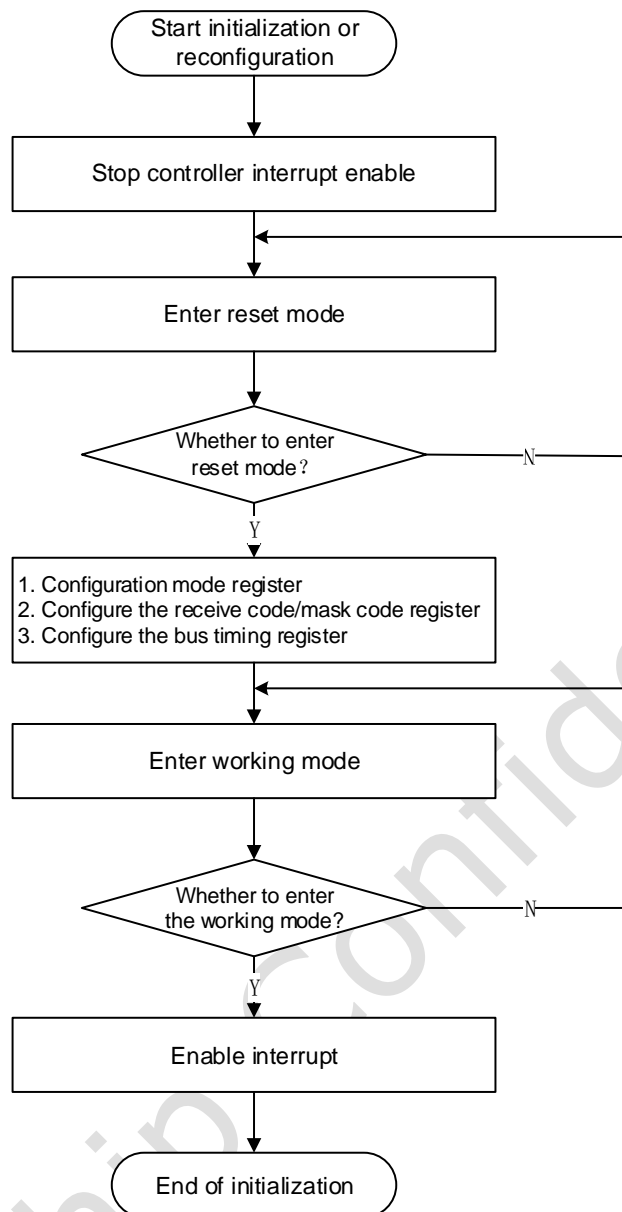


Fig 1-1 CAN Initialization Flow

### 29.6.2 Loop-back Mode

The controller must configure the registers after power-up or hardware reset. During the operation of the controller, a software reset request may be sent and reconfigured (re-initialized) as shown below.

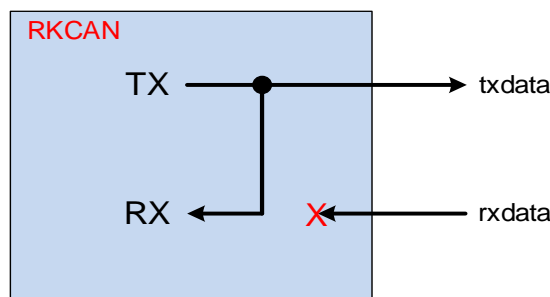


Fig 1-2 Loopback Mode

### 29.6.3 Silent Mode

The controller must configure the registers after power-up or hardware reset. During the operation of the controller, a software reset request may be sent and reconfigured (re-initialized) as shown below.

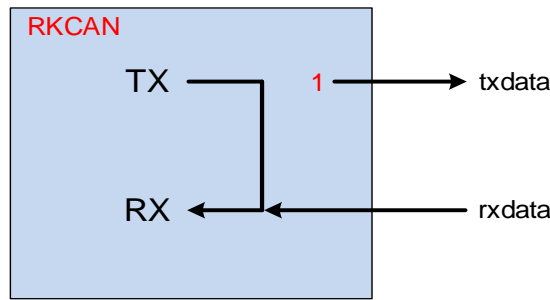


Fig 1-3 Silent Mode

#### 29.6.4 Rxstx Mode

- 1'b0: RKCAN cannot receive the data sent by itself;
- 1'b1: RKCAN can receive the data sent by itself, and when the ID of the frame is the same as the ID\_CODE of RKCAN itself, RKCAN will store the frame information into CAN\_RXDATA1/2.

#### 29.6.5 Txorder Mode

The Txorder Mode is used to determine the order in which data is sent.

- 1'b0: Data transmission order is "tx\_data1[7:0] --> tx\_data1[15:8] --> tx\_data1[23:16] --> tx\_data1[31:24] --> tx\_data2[7:0] --> tx\_data2[15:8] --> tx\_data2[23:16] --> tx\_data2[31:24]";
- 1'b1: Data transmission order is "tx\_data2[31:0] --> tx\_data1[31:0]".

#### 29.6.6 Rxsort Mode

The Rxsort Mode is used to determine how the received data is stored.

- 1'b0: The data received first is placed in the lower address;
- 1'b1: The data received first moves to the upper address, and the data received later is placed at the lower address.

#### 29.6.7 Cover Mode

- 1'b0: RKCAN can't receive new frame before receive registers cleared.
- 1'b1: RKCAN can receive new frame before receive registers cleared, and new RXDATA will cover old RXDATA.

#### 29.6.8 Overload Mode

According to the CAN protocol, a CAN transceiver will generate an OVERLOAD frame in three cases:

- When the CAN is used as a receiver, if it is necessary to delay the next frame.
- Detection of a dominant bit at the first and second bit of Intermission.
- If an CAN node samples a dominant bit at the eight bits (the last bit) of an ERROR DELIMITER or OVERLOAD DELIMITER.
  - 1'b0: Overload Lite Mode: RKCAN only generates overload frames in the CASE2.
  - 1'b1: Overload Extended Mode: RKCAN can generates overload frames in all three cases.

#### 29.6.9 Auto Retx Mode

Auto Retransmission Mode.

- 1'b0: Disable. RKCAN return to idle state after transmit DATA/RTR frame failed, and set tx\_req to 0.
- 1'b1: Enable. The RKCAN automatically retransmit frames which have lost arbitration or have been disturbed by errors during transmission.

#### 29.6.10 Auto Bus On

Auto Bus on Enable.

- 1'b0: After the RKCAN has entered bus\_off state, the software can start a bus-off recovery sequence by resetting the work\_mode to 0.
- 1'b1: Automatic reset TEC/REC to bus\_on after 128 occurrences of 11 consecutive recessive bits have been monitored on the bus.

#### 29.6.11 Sleep Mode

The core enters Sleep mode from Configuration or Normal mode when the SLEEP bit is 1 in the CAN\_MODE register, the CAN bus is idle, and there are no pending transmission

requests.

The core enters Configuration mode when any configuration condition is satisfied. The core enters Normal mode (clearing the SLEEP request bit in the sleep register and also clearing the corresponding status bit) under the following (wake-up) conditions:

- Whenever the SLEEP bit is set to 0.
- Whenever the SLEEP bit is 1, and bus activity is detected.
- Whenever there is a new message for transmission.

Interrupts are generated when the core enters Sleep mode or wakes up from Sleep mode.

### **29.6.12 DMA Support**

The CAN supports DMA signaling with the use of two output signals (`dma_tx_mode` and `dma_rx_mode`) to indicate when transmit buffer is empty or when the receive FIFO is full. The controller uses two DMA channels, one for the transmit data and one for the receive data.

DMA transmit and receive support enabled by setting corresponding bit in `CAN_DMA_CTRL` register. Once enabled whenever both transmit buffer is empty `dma_tx_mode` is set, DMA should write transmit message. At last CPU set transmit request bit to initiate CAN.

- If RX FIFO is disabled, `dma_rx_mode` is set when message received successfully, DMA should read RXDATA from receive registers.
- If RX FIFO is enabled, `dma_rx_mode` is set when message received and FIFO reached watermark, DMA should read RXDATA from Rx FIFO entrance.

## Chapter 30 Flexible Serial Peripheral Interface (FSPI )

### 30.1 Overview

The FSPI is a flexible serial peripheral interface host controller to interface with external device.

The FSPI supports the following features:

- Support various vendor devices with flexible command sequencer engine
  - Serial NOR Flash
  - Serial NAND Flash
  - Serial pSRAM
  - Serial SRAM
- Support SDR mode
- Support Single/Dual/Quad IO mode
- Support a 32-bit AHB slave to read and write controller register bank and initiate command sequence, including transfer data from/to external device indirectly
- Support a 32-bit AHB master with embedded DMA engine to transfer data from/to external device indirectly
- Support independent clock for system bus HCLK and controller core SCLK
- Support maskable interrupts generation
- Support sampling clock with optionally configurable delay line
- Support 2 CS# operation

### 30.2 Block Diagram

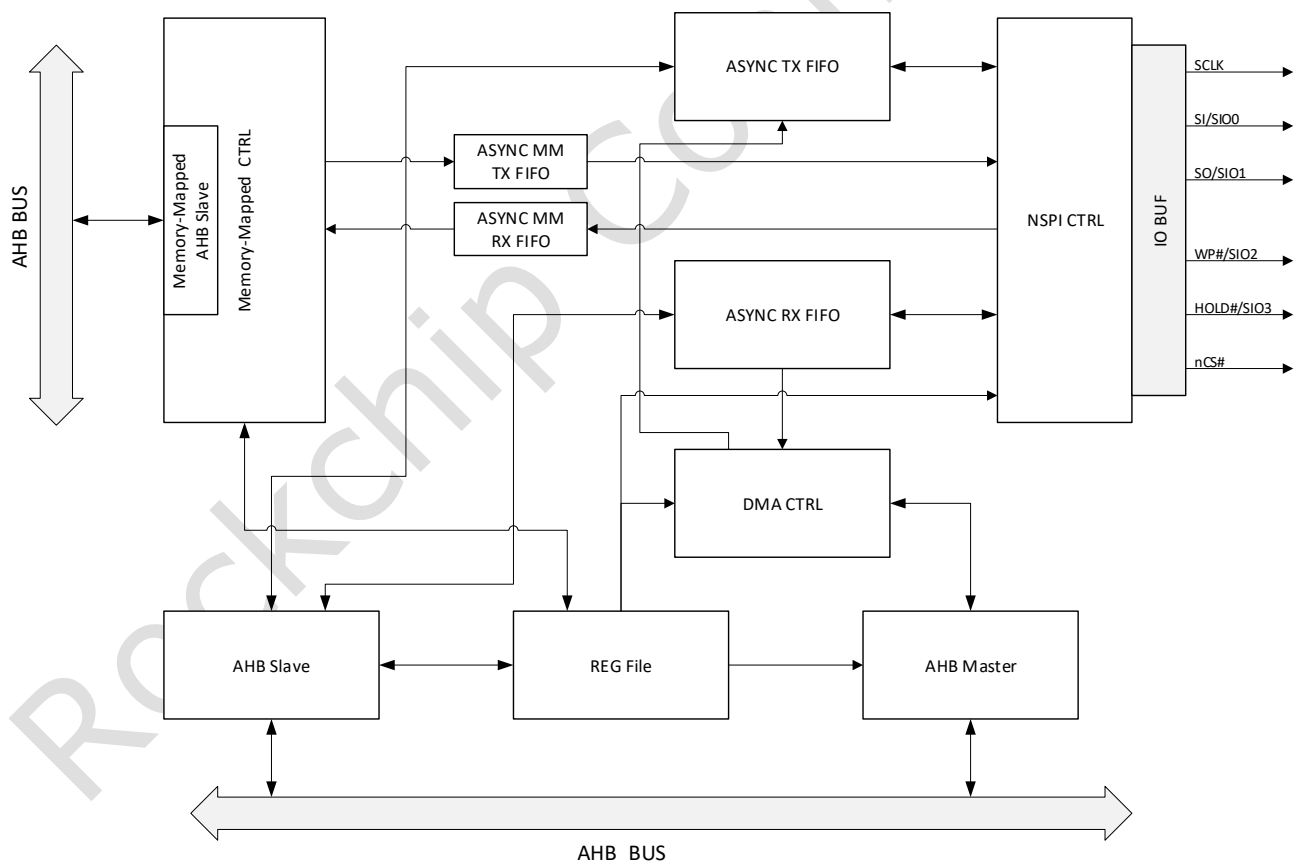


Fig. 30-1 FSPI Architecture

Memory-Mapped AHB slave is available when XIP feature is present. In current chip, this feature is not provided.

### 30.3 Function Description

#### 30.3.1 AHB Slave

The AHB slave block is used to configure the register of controller to generate flexible

command sequence, process the interrupt exception, target various device feature and AC timing specification. It is also used to write CMD/ADDR/DATA to TX FIFO and read DATA from RX FIFO which buffer the DATA from external device.

### 30.3.2 AHB Master

When the embedded DMA CTRL is used to transfer DATA, the AHB master is used to transfer data to other system region, such as internal SRAM, peripheral, external DRAM.

### 30.3.3 Memory-Mapped AHB Slave

After the software initialize the controller based on the specialized memory device, CPU and other system bus masters can read data from external memory directly. If the external memory is SRAM or pSRAM, it also supports write data to it. The Memory-Mapped AHB Slave module can generate the relative CS# based on the access address from system address, example CS#0 and CS#1. Non-Supported in this chip.

### 30.3.4 REG File

The REG File is configurable register bank to control the store the static configuration and dynamic status of controller.

### 30.3.5 DMA CTRL

A block takes responsible for splitting a long length transfer trans into AHB bus transaction and interfacing with ASYNC TX or RX FIFO.

### 30.3.6 FIFO

There are four FIFO in the FSPI controller. ASYNC TX FIFO and ASYNC RX FIFO is for normal transaction that initiated by command sequence driver. The ASYNC MM (Memory-Mapped) TX FIFO and ASYNC MM (Memory-Mapped) RX FIFO is only used to buffer DATA from or to external device initiated by system bus master directly.

### 30.3.7 NSPI CTRL

Sequence decode engine which generates specialized timing sequence for various device. The NSPI decode the transaction from TX FIFO and Memory-Mapped Controller and convert it to relative CMD/ADDR/DATA frame based on the configuration.

## 30.4 Register Description

### 30.4.1 Internal Address Mapping

Slave address can be divided into different length for different usage, which is shown as follows.

Table 30-1 FSPI Address Mapping Table

Name	Address Base	Size
FSPI CFG	0xFE2B0000	0x10000(64KB)

### 30.4.2 Registers Summary

Name	Offset	Size	Reset Value	Description
<u>FSPI_CTRL0</u>	0x0000	W	0x00000000	Control Register for CS0 Device
<u>FSPI_IMR</u>	0x0004	W	0x000001FF	Interrupt Mask Register
<u>FSPI_ICLR</u>	0x0008	W	0x00000000	Interrupt Clear Register
<u>FSPI_FTLR</u>	0x000C	W	0x00001010	FIFO Threshold Level Register
<u>FSPI_RCVR</u>	0x0010	W	0x00000000	FSPI Recover Register
<u>FSPI_AX0</u>	0x0014	W	0x00000000	FSPI Auxiliary Data Value for CS0 Device
<u>FSPI_ABIT0</u>	0x0018	W	0x00000000	Extend Address Bits for CS0 Device
<u>FSPI_ISR</u>	0x001C	W	0x00000000	Interrupt Status
<u>FSPI_FSR</u>	0x0020	W	0x00000001	FIFO Status Register
<u>FSPI_SR</u>	0x0024	W	0x00000000	FSPI Status Register
<u>FSPI_RISR</u>	0x0028	W	0x00000000	Raw Interrupt Status Register
<u>FSPI_VER</u>	0x002C	W	0x00000004	Version Register

Name	Offset	Size	Reset Value	Description
<u>FSPI_QOP</u>	0x0030	W	0x00000000	Quad Line Operation IO Level Pre-set Register
<u>FSPI_EXT_CTRL</u>	0x0034	W	0x00004023	Extend Control Register
<u>FSPI_DLL_CTRL0</u>	0x003C	W	0x00000001	Delay Line Control Register for CS0 Device
<u>FSPI_EXT_AX</u>	0x0044	W	0x0000F0FF	Extend Auxiliary Data Control Register
<u>FSPI_SCLK_INATM_CNT</u>	0x0048	W	0xFFFFFFFF	SCLK Inactive Timeout Counter
<u>FSPI_XMMC_WCMD0</u>	0x0050	W	0x00000000	Memory Mapped Control Write Command Register for CS0 Device
<u>FSPI_XMMC_RCMD0</u>	0x0054	W	0x00000000	Memory Mapped Control Read Command Register for CS0 Device
<u>FSPI_XMMC_CTRL</u>	0x0058	W	0x000072E0	Memory Mapped Control Register
<u>FSPI_MODE</u>	0x005C	W	0x00000000	Controller Working Mode Register
<u>FSPI_DEVRGN</u>	0x0060	W	0x00000017	Device Region Size Register
<u>FSPI_DEVSZE0</u>	0x0064	W	0x00000012	Device Size Register for CS0 Device
<u>FSPI_TME0</u>	0x0068	W	0x00000000	Timeout Enable Control Register for CS0 Device
<u>FSPI_XMMC_RX_WTMRK</u>	0x0070	W	0x00000002	Memory Mapped Mode Receiver FIFO Water Mark Register
<u>FSPI_DMATR</u>	0x0080	W	0x00000000	DMA Trigger Register
<u>FSPI_DMAADDR</u>	0x0084	W	0x00000000	DMA Address Register
<u>FSPI_LEN_CTRL</u>	0x0088	W	0x00000000	Length Control Register
<u>FSPI_LEN_EXT</u>	0x008C	W	0x00000000	Length Extended Register
<u>FSPI_XMMCSR</u>	0x0094	W	0x00000000	Memory Mapped Status Register
<u>FSPI_CMD</u>	0x0100	W	0x00000000	Indirect Command Register
<u>FSPI_ADDR</u>	0x0104	W	0x00000000	Address Register
<u>FSPI_DATA</u>	0x0108	W	0x00000000	Data Register
<u>FSPI_CTRL1</u>	0x0200	W	0x00000000	Control Register for CS1 Device
<u>FSPI_AX1</u>	0x0214	W	0x00000000	FSPI Auxiliary Data Value for CS1 Device
<u>FSPI_ABIT1</u>	0x0218	W	0x00000000	Extend Address Bits for CS1 Device
<u>FSPI_DLL_CTRL1</u>	0x023C	W	0x00000001	Delay Line Control Register for CS1 Device
<u>FSPI_XMMC_WCMD1</u>	0x0250	W	0x00000000	Memory Mapped Control Write Command Register for CS1 Device
<u>FSPI_XMMC_RCMD1</u>	0x0254	W	0x00000000	Memory-Mapped Command Control Register for CS1 Device
<u>FSPI_DEVSZE1</u>	0x0264	W	0x00000012	Device Size Register for CS1 Device
<u>FSPI_TME1</u>	0x0268	W	0x00000000	Timeout Enable Control Register for CS1 Device

Notes: **Size:** **B**- Byte (8 bits) access, **HW**- Half WORD (16 bits) access, **W**-WORD (32 bits) access, **DW**- Double WORD (64 bits) access

### 30.4.3 Detail Registers Description

#### **FSPI\_CTRL0**

Address: Operational Base + offset (0x0000)

Bit	Attr	Reset Value	Description
31:14	RO	0x00000	reserved

Bit	Attr	Reset Value	Description
13:12	RW	0x0	DATB Data Line Width 2'b00: 1 bit, x1 mode 2'b01: 2 bits, x2 mode 2'b10: 4 bits, x4 mode 2'b11: Reserved Set this DATB to match the CMD sequence before doing indirect access mode and memory mapped access mode.
11:10	RW	0x0	ADRB Address Line Width 2'b00: 1 bit, x1 mode 2'b01: 2 bits, x2 mode 2'b10: 4 bits, x4 mode 2'b11: Reserved Set this ADRB to match the CMD sequence before doing indirect access mode and memory mapped access mode.
9:8	RW	0x0	CMDB Command Line Width 2'b00: 1 bit, x1 mode 2'b01: 2 bits, x2 mode 2'b10: 4 bits, x4 mode 2'b11: Reserved Set this CMDB to match the CMD sequence before doing indirect access mode and memory mapped access mode.
7:4	RW	0x0	IDLE_CYCLE Idle Cycles When Switching IO from Output to Input 4'h0: Idle hold is disable 4'h1: Hold the SCLK in idle for 2 cycles when switch to shift in ... 4'hf: Hold the SCLK in idle for 16 cycles when switch to shift in To improve the transform IO timing, the application can set this register to hold the SCLK in low state or high state.
3:2	RO	0x0	reserved
1	RW	0x0	SHIFTPHASE Shift Phase of Data Input in Controller 1'b0: Shift input data at posedge SCLK 1'b1: Shift input data at negedge SCLK The application can select the input data captured by posedge of SCLK when "0" or negedge of SCLK when "1".
0	RW	0x0	SPIM Serial Peripheral Interface Mode 1'b0: Mode 0 1'b1: Mode 3 SPIM is used to control the serial mode (CPOL and CPHA). CPOL indicates clock polarity of Serial master, CPOL=1 for SCLK high while idle, CPOL=0 for SCLK low while not transmitting. CPHA indicates clock phase. The combination of CPOL bit and CPHA bit decides which Serial mode is supported.

**FSPI IMR**

Address: Operational Base + offset (0x0004)

Bit	Attr	Reset Value	Description
31:8	RO	0x000000	reserved



Bit	Attr	Reset Value	Description
7	RW	0x1	DMAM DMA Finish Interrupt Mask 1'b0: DMA finish interrupt is not masked 1'b1: DMA finish interrupt is masked Only valid in indirect access mode.
6	RW	0x1	NSPIM NSPI Interrupt Mask 1'b0: NSPI interrupt is not masked 1'b1: NSPI interrupt is masked Valid in indirect access mode and memory mapped mode.
5	RW	0x1	AHBM AMBA AHB Error Interrupt Mask 1'b0: AMBA AHB Error interrupt is not masked 1'b1: AMBA AHB Error interrupt is masked Only valid in indirect access mode.
4	RW	0x1	TRANSM Transfer Finish Interrupt Mask 1'b0: Transfer finish interrupt is not masked 1'b1: Transfer finish interrupt is masked Only valid in indirect access mode.
3	RW	0x1	TXEM Transmit FIFO Empty Interrupt Mask 1'b0: Transmit FIFO empty interrupt is not masked 1'b1: Transmit FIFO empty interrupt is masked Only valid in indirect access mode.
2	RW	0x1	TXOM Transmit FIFO Overflow Interrupt Mask 1'b0: Transmit FIFO overflow interrupt is not masked 1'b1: Transmit FIFO overflow interrupt is masked Only valid in indirect access mode.
1	RW	0x1	RXUM Receive FIFO Underflow Interrupt Mask 1'b0: Receive FIFO underflow interrupt is not masked 1'b1: Receive FIFO underflow interrupt is masked Only valid in indirect access mode.
0	RW	0x1	RXFM Receive FIFO Full Interrupt Mask 1'b0: Receive FIFO full interrupt is not masked 1'b1: Receive FIFO full interrupt is masked Only valid in indirect access mode.

**FSPI ICLR**

Address: Operational Base + offset (0x0008)

Bit	Attr	Reset Value	Description
31:8	RO	0x000000	reserved
7	W1 C	0x0	DMAC DMA Finish Interrupt Clear 1'b0: No action 1'b1: Clear interrupt Write "1" to clear the DMAS
6	W1 C	0x0	NSPIC NSPI Error Interrupt Clear 1'b0: No action 1'b1: Clear interrupt Write "1" to clear the NSPIS.

Bit	Attr	Reset Value	Description
5	W1 C	0x0	AHBC AMBA AHB Error Interrupt Clear 1'b0: No action 1'b1: Clear interrupt Write "1" to clear the AHBS.
4	W1 C	0x0	TRANSC Transfer Finish Interrupt Clear 1'b0: No action 1'b1: Clear interrupt Write "1" to clear the TRANSS.
3	W1 C	0x0	TXEC Transmit FIFO Empty Interrupt Clear 1'b0: No action 1'b1: Clear interrupt Write "1" to clear the TXES.
2	W1 C	0x0	TXOC Transmit FIFO Overflow Interrupt Clear 1'b0: No action 1'b1: Clear interrupt Write "1" to clear the TXOS.
1	W1 C	0x0	RXUC Receive FIFO Underflow Interrupt Clear 1'b0: No action 1'b1: Clear interrupt Write "1" to clear the RXUS.
0	W1 C	0x0	RXFC Receive FIFO Full Interrupt Clear 1'b0: No action 1'b1: Clear interrupt Write "1" to clear the RXFS.

**FSPI FTLR**

Address: Operational Base + offset (0x000C)

Bit	Attr	Reset Value	Description
31:16	RO	0x0000	reserved
15:8	RW	0x10	RXFTLR Receive FIFO Threshold Level 8'h0: 0 entry level 8'h1: 1 entry level ... 8'h10: 16 entry level(default) ... When the number of receive FIFO entries is bigger than or equal to this value, the receive FIFO full interrupt is triggered.
7:0	RW	0x10	TXFTLR Transmit FIFO Threshold Level 8'h0: 0 entry level 8'h1: 1 entry level ... 8'h10: 16 entry level(default) ... When the number of transmit FIFO entries is less than or equal to this value, the transmit FIFO empty interrupt is triggered.

**FSPI RCVR**

Address: Operational Base + offset (0x0010)

Bit	Attr	Reset Value	Description
31:1	RO	0x00000000	reserved
0	R/W SC	0x0	RCVR FSPI Recover Write any values to trigger the recovery of SMC NSPI state machine, FIFO state and other logic state.

**FSPI AX0**

Address: Operational Base + offset (0x0014)

Bit	Attr	Reset Value	Description
31:8	RO	0x0000000	reserved
7:0	RW	0x00	AX Auxiliary Data The AX value when doing the continuous read (enhance mode or XIP mode). That is M7-M0 in "Continuous Read Mode".

**FSPI ABIT0**

Address: Operational Base + offset (0x0018)

Bit	Attr	Reset Value	Description
31:5	RO	0x00000000	reserved
4:0	RW	0x00	ABIT Address Bits Extend 5'h0: 1 bit 5'h1: 2 bits ... 5'h1f: 32 bits Only valid when ADDR0 is set to 2'b11.

**FSPI ISR**

Address: Operational Base + offset (0x001C)

Bit	Attr	Reset Value	Description
31:8	RO	0x0000000	reserved
7	RO	0x0	DMAS DMA Finish Interrupt Status 1'b0: No interrupt 1'b1: Active interrupt generated
6	RO	0x0	NSPIS NSPI Transaction Decode Error Interrupt Status 1'b0: No interrupt 1'b1: Active interrupt generated
5	RO	0x0	AHBS AMBA AHB Error Interrupt Status 1'b0: No interrupt 1'b1: Active interrupt generated
4	RO	0x0	TRANSS Transfer Finish Interrupt Status 1'b0: No interrupt 1'b1: Active interrupt generated
3	RO	0x0	TXES Transmit FIFO Empty Interrupt Status 1'b0: No interrupt 1'b1: Active interrupt generated

Bit	Attr	Reset Value	Description
2	RO	0x0	TXOS Transmit FIFO Overflow Interrupt Status 1'b0: No interrupt 1'b1: Active interrupt generated
1	RO	0x0	RXUS Receive FIFO Underflow Interrupt Status 1'b0: No interrupt 1'b1: Active interrupt generated
0	RW	0x0	RXFS Receive FIFO Full Interrupt Status 1'b0: No interrupt 1'b1: Active interrupt generated

**FSPI\_FSR**

Address: Operational Base + offset (0x0020)

Bit	Attr	Reset Value	Description
31:21	RO	0x000	reserved
20:16	RW	0x00	RXWLVL RX FIFO Water Level 5'h0: FIFO is empty 5'h1: 1 entry is taken ... 5'h10: 16 entry is taken, FIFO is full
15:13	RO	0x0	reserved
12:8	RO	0x00	TXWLVL TX FIFO Water Level 5'h0: FIFO is full 5'h1: 1 entry is left ... 5'h10: 16 entry is left, FIFO is empty
7:4	RO	0x0	reserved
3	RO	0x0	RXFS Receive FIFO Full Status 1'b0: RX FIFO is not full 1'b1: RX FIFO is full
2	RO	0x0	RXES Receive FIFO Empty Status 1'b0: RX FIFO is not empty 1'b1: RX FIFO is empty
1	RO	0x0	TXES Transmit FIFO Empty Status 1'b0: TX FIFO is not empty 1'b1: TX FIFO is empty
0	RO	0x1	TXFS Transmit FIFO Full Status 1'b0: TX FIFO is not full 1'b1: TX FIFO is full

**FSPI\_SR**

Address: Operational Base + offset (0x0024)

Bit	Attr	Reset Value	Description
31:1	RO	0x00000000	reserved

Bit	Attr	Reset Value	Description
0	RO	0x0	SR Status Register 1'b0: NSPI Controller is idle 1'b1: NSPI Controller is busy When controller is busy, don't change the setting of control register. When NSPI is idle, the software can initiate new transaction to external device.

**FSPI RISR**

Address: Operational Base + offset (0x0028)

Bit	Attr	Reset Value	Description
31:8	RO	0x000000	reserved
7	RO	0x0	DMAS DMA Finish Interrupt Status 1'b0: No active raw interrupt 1'b1: Active raw interrupt is generated Cleared by writing corresponding ICLR bit to clear raw interrupt status.
6	RO	0x0	NSPIS NSPI Error Interrupt Status 1'b0: No active raw interrupt 1'b1: Active raw interrupt is generated Cleared by writing corresponding ICLR bit to clear raw interrupt status.
5	RO	0x0	AHBS AMBA AHB Error Interrupt Status 1'b0: No active raw interrupt 1'b1: Active raw interrupt is generated Cleared by writing corresponding ICLR bit to clear raw interrupt status.
4	RO	0x0	TRANSS Transfer Finish Interrupt Status 1'b0: No active raw interrupt 1'b1: Active raw interrupt is generated Cleared by writing corresponding ICLR bit to clear raw interrupt status.
3	RO	0x0	TXES Transmit FIFO Empty Interrupt Status 1'b0: No active raw interrupt 1'b1: Active raw interrupt is generated Cleared by writing corresponding ICLR bit to clear raw interrupt status.
2	RO	0x0	TXOS Transmit FIFO Overflow Interrupt Status 1'b0: No active raw interrupt 1'b1: Active raw interrupt is generated Cleared by writing corresponding ICLR bit to clear raw interrupt status.
1	RO	0x0	RXUS Receive FIFO Underflow Interrupt Status 1'b0: No active raw interrupt 1'b1: Active raw interrupt is generated Cleared by writing corresponding ICLR bit to clear raw interrupt status.

Bit	Attr	Reset Value	Description
0	RO	0x0	RXFS Receive FIFO Full Interrupt Status 1'b0: No active raw interrupt 1'b1: Active raw interrupt is generated Cleared by writing corresponding ICLR bit to clear raw interrupt status.

**FSPI\_VER**

Address: Operational Base + offset (0x002C)

Bit	Attr	Reset Value	Description
31:16	RO	0x0000	reserved
15:0	RO	0x0005	VER The Version ID of FSPI

**FSPI\_QOP**

Address: Operational Base + offset (0x0030)

Bit	Attr	Reset Value	Description
31:2	RO	0x00000000	reserved
1	RW	0x0	SO123BP SO123 Bypass Mode 1'b0: Disable bypass 1'b1: Enable bypass Default is enabled.
0	RW	0x0	SO123 D1/D2/D3 Data Value During Inactive When CS is Active 1'b0: Set to "0" 1'b1: Set to "1" The value of SO1, SO2 and SO3 during command and address bits input.

**FSPI\_EXT\_CTRL**

Address: Operational Base + offset (0x0034)

Bit	Attr	Reset Value	Description
31:15	RO	0x000000	reserved
14	RW	0x1	SR_GEN_MODE Status Register Generation Mode 1'b0: Compatible mode with old controller 1'b1: Robust generation to indicates the status of controller If set to "1", the controller will only clear the SR bit after operation sequence done and CS is high.
13	RW	0x0	TRANS_INT_MODE Transmit Done Interrupt Generation Mode 1'b0: Trigger NSPI end in data done 1'b1: Trigger NSPI end in CS inactive Default Generation is compatible with old controller.
12	RO	0x0	reserved

Bit	Attr	Reset Value	Description
11:8	RW	0x0	SWITCH_IO_O2I_CNT Switch IO Attribute Cycles in O2I Idle Phase 4'h0: 1st cycle 4'h1: 2nd cycle 4'h2: 3rd cycle 4'h3: 4th cycle ... 4'hf: 16th cycle The target cycle when switching from output to input in O2I idle phase.
7:4	RW	0x2	SWITCH_IO_DUMM_CNT Switch IO Attribute Cycles in Dummy Phase 4'h0: 1st cycle 4'h1: 2nd cycle 4'h2: 3rd cycle 4'h3: 4th cycle ... 4'hf: 16th cycle The target cycle when switching from output to input in Dummy data phase.
3:0	RW	0x3	CS_DESEL_CTRL CS Inactive Control 4'h0: 1 cycle 4'h1: 2 cycles 4'h2: 3 cycles 4'h3: 4 cycles ... 4'hf: 16 cycles The target cycles to hold CS inactive after de-assert the CS. Default value are 4 SCLK cycles that is enough for normal device.

**FSPI\_DLL\_CTRL0**

Address: Operational Base + offset (0x003C)

Bit	Attr	Reset Value	Description
31:16	RO	0x0000	reserved
15	RW	0x0	SCLK_SMP_SEL SCLK Sampling Selection 1'b0: Bypass DLL 1'b1: From DLL The sampling SCLK source selection.
14:9	RO	0x00	reserved
8:0	RW	0x001	SMP_DLL_CFG Sample Delay Line Configuration 9'h0: 1 DLL element cell 9'h1: 1 DLL element cell 9'h2: 2 DLL element cells ... 9'h1ff: 511 DLL element cells This register to control the sampling delay line cell used. The maximum DLL element cells is decided by process.

**FSPI\_EXT\_AX**

Address: Operational Base + offset (0x0044)

Bit	Attr	Reset Value	Description
31:16	RO	0x0000	reserved

Bit	Attr	Reset Value	Description
15:8	RW	0xf0	AX_SETUP_PAT Auxiliary Setup Data Pattern The AX data pattern that setup the continuous/enhance/XIP read mode
7:0	RW	0xff	AX_CANCEL_PAT Auxiliary Cancel Data Pattern The AX data pattern that cancel the continuous/enhance/XIP read mode.

**FSPI SCLK INATM CNT**

Address: Operational Base + offset (0x0048)

Bit	Attr	Reset Value	Description
31:0	RW	0xffffffff	SCLK_INATM_CNT SCLK Inactive Timeout Counter When CS is active and SCLK is hold in high or low due to TX FIFO is empty or RX FIFO is full, if SCLK_INATM_EN is enabled, and timeout occurs, the controller will go back to idle and RX FIFO is flushed.

**FSPI XMMC WCMD0**

Address: Operational Base + offset (0x0050)

Bit	Attr	Reset Value	Description
31:16	RO	0x0000	reserved
15:14	WO	0x0	ADDRB Address Bits 2'b00: 0 bit 2'b01: 24 bits 2'b10: 32 bits 2'b11: From the ABIT register Address bits number select in memory mapped mode, if there is not address command to send, set to zero.
13	WO	0x0	CONT Continuous 1'b0: Disable continuous mode 1'b1: Enable continuous mode AX mode or Continuous mode or XIP mode for device which begins with address.
12	RO	0x0	reserved
11:8	WO	0x0	DUMM Dummy Cycles 4'h0: No dummy cycle ... 4'h8: 8 cycles ... Dummy bit cycles in memory mapped mode.
7:0	WO	0x00	CMD Command Command data in memory mapped access mode.

**FSPI XMMC RCMD0**

Address: Operational Base + offset (0x0054)

Bit	Attr	Reset Value	Description
31:16	RO	0x0000	reserved



Bit	Attr	Reset Value	Description
15:14	WO	0x0	ADDRB Address Bits 2'b00: 0 bit 2'b01: 24 bits 2'b10: 32 bits 2'b11: From the ABIT register Address bits number select in memory mapped mode, if there is not address command to send, set to zero.
13	WO	0x0	CONT Continuous 1'b0: Disable continuous mode 1'b1: Enable continuous mode AX mode or Continuous mode or XIP mode for device which begins with address.
12	RO	0x0	reserved
11:8	WO	0x0	DUMM Dummy Cycles 4'h0: No dummy cycle ... 4'h8: 8 cycles ... Dummy bit cycles in memory mapped mode.
7:0	WO	0x00	CMD Command Command data in memory mapped access mode.

**FSPI XMMC CTRL**

Address: Operational Base + offset (0x0058)

Bit	Attr	Reset Value	Description
31:7	RO	0x0	reserved
6	RW	0x1	PFT_EN Prefetch Enable 1'b0: Disable 1'b1: Enable Should disable prefetch if controller communicate with pSRAM which need refresh.
5	RW	0x1	DEV_HWEN Device AMBA AHB HWRITE Enable 1'b0: Disable 1'b1: Enable
4:0	RO	0x00	reserved

**FSPI MODE**

Address: Operational Base + offset (0x005C)

Bit	Attr	Reset Value	Description
31:1	RO	0x00000000	reserved
0	RW	0x0	XMMC_MODE_EN Memory Mapped Mode Enable 1'b0: Disable, indirect access mode 1'b1: Enable, Memory-Mapped mode Before switching from indirect access mode to Memory-Mapped mode, the application should make sure the controller is in idle state and no pending transaction. If switch from Memory-Mapped to indirect access mode, software should initiate a dummy read by CPU before that.

**FSPI\_DEVRGN**

Address: Operational Base + offset (0x0060)

Bit	Attr	Reset Value	Description
31:10	RO	0x000000	reserved
9:8	RW	0x0	DEC_CTRL Decode Control 2'b00: 1 CS# 2'b01: 2 CS# 2'b10: 4 CS# 2'b11: Reserved Only valid in XMMC mode.
7:5	RO	0x0	reserved
4:0	RW	0x17	RSIZE Region Size 5'd0: 1 byte 5'd1: 2 bytes 5'd2: 4 bytes ..... 5'd10: 1K bytes ..... 5'd20: 1M bytes ..... 5'd31: 4G bytes In Memory-Mapped mode, the CS is controlled by AHB address bus, region size is used to generate CS.

**FSPI\_DEVSIZEO**

Address: Operational Base + offset (0x0064)

Bit	Attr	Reset Value	Description
31:5	RO	0x0000000	reserved
4:0	RW	0x12	DSIZE Device Size 5'd0: 1 byte 5'd1: 2 bytes 5'd2: 4 bytes ..... 5'd10: 1K bytes ..... 5'd20: 1M bytes ..... 5'd31: 4G byte Device size is used to generate slop over status.

**FSPI\_TME0**

Address: Operational Base + offset (0x0068)

Bit	Attr	Reset Value	Description
31:2	RO	0x00000000	reserved
1	RW	0x0	SCLK_INATM_EN SCLK Inactive Timeout Enable 1'b0: Disable 1'b1: Enable
0	RO	0x0	reserved

**FSPI\_XMMC\_RX\_WTMRK**

Address: Operational Base + offset (0x0070)

Bit	Attr	Reset Value	Description
31:8	RO	0x000000	reserved
7:0	RW	0x02	RX_FULL_WTMRK Memory Mapped Mode Receiver FIFO Water Mark. Default is enough.

**FSPI DMATR**

Address: Operational Base + offset (0x0080)

Bit	Attr	Reset Value	Description
31:1	RO	0x00000000	reserved
0	W1 C	0x0	DMATR DMA Trigger Write "1" to start the DMA transfer.

**FSPI DMAADDR**

Address: Operational Base + offset (0x0084)

Bit	Attr	Reset Value	Description
31:0	RW	0x00000000	DMAADDR DMA Address The destination or source data address in current system.

**FSPI LEN\_CTRL**

Address: Operational Base + offset (0x0088)

Bit	Attr	Reset Value	Description
31:1	RO	0x00000000	reserved
0	RW	0x0	TRB_SEL Total Transfer Bytes Selection 1'b0: TRB controlled by CMD[TRB] 1'b1: TRB controlled by LEN_EXT

**FSPI LEN\_EXT**

Address: Operational Base + offset (0x008C)

Bit	Attr	Reset Value	Description
31:0	RW	0x00000000	TRB_EXT Total Transfer Bytes Extended 32'd0: No data 32'd1: 1 Byte 32'd2: 2 Bytes ... Total data bytes number that will write to /read from the device.

**FSPI XMMCSR**

Address: Operational Base + offset (0x0094)

Bit	Attr	Reset Value	Description
31:2	RO	0x00000000	reserved
1	R/W SC	0x0	SLOPOVER1 Slop Over Register for CS1 1'b0: Normal state 1'b1: Address slop over When the access address in memory map mode is bigger than DEVSIZEx, this bit will be set. Write "1" to clear this bit.

Bit	Attr	Reset Value	Description
0	R/W SC	0x0	SLOPOVER0 Slop Over Register for CS0 1'b0: Normal state 1'b1: Address slop over When the access address in memory map mode is bigger than DEVSIZEx, this bit will be set. Write "1" to clear this bit.

**FSPI\_CMD**

Address: Operational Base + offset (0x0100)

Bit	Attr	Reset Value	Description
31:30	WO	0x0	CS Device Chip Select. 2'b00: Chip select 0 2'b01: Chip select 1 2'b10: Reserved 2'b11: Reserved
29:16	WO	0x0000	TRB Total Transfer Bytes 14'd0: No data 14'd1: 1 Byte 14'd2: 2 Bytes ... Total data bytes number that will write to or read from the device.
15:14	WO	0x0	ADDRB Address Bits 2'b00: 0 bit 2'b01: 24 bits 2'b10: 32 bits 2'b11: From the ABIT register Address bits number select in indirect access mode. If there is not address command to send, set to zero.
13	WO	0x0	CONT Continuous 1'b0: Disable continuous mode 1'b1: Enable continuous mode AX mode or Continuous mode or XIP mode for device which begins with address.
12	WO	0x0	WR Write or Read 1'b0: Read 1'b1: Write
11:8	WO	0x0	DUMM Dummy Cycles 4'h0: No dummy cycle ... 4'h8: 8 cycles ... Dummy bit cycles in indirect access mode.
7:0	WO	0x00	CMD Command Command data in indirect access mode.

**FSPI\_ADDR**

Address: Operational Base + offset (0x0104)

Bit	Attr	Reset Value	Description
31:0	WO	0x00000000	ADDR Address Register Indirect access start address data for current command sequence.

**FSPI DATA**

Address: Operational Base + offset (0x0108)

Bit	Attr	Reset Value	Description
31:0	RW	0x00000000	DATA Data Register Device data read or write from/to device.

**FSPI\_CTRL1**

Address: Operational Base + offset (0x0200)

Bit	Attr	Reset Value	Description
31:14	RO	0x000000	reserved
13:12	RW	0x0	DATB Data Line Width 2'b00: 1 bit, x1 mode 2'b01: 2 bits, x2 mode 2'b10: 4 bits, x4 mode 2'b11: Reserved Set this DATB to match the CMD sequence before doing indirect access mode and memory mapped access mode.
11:10	RW	0x0	ADRB Address Line Width 2'b00: 1 bit, x1 mode 2'b01: 2 bits, x2 mode 2'b10: 4 bits, x4 mode 2'b11: Reserved Set this ADRB to match the CMD sequence before doing indirect access mode and memory mapped access mode.
9:8	RW	0x0	CMDB Command Line Width 2'b00: 1 bit, x1 mode 2'b01: 2 bits, x2 mode 2'b10: 4 bits, x4 mode 2'b11: Reserved Set this CMDB to match the CMD sequence before doing indirect access mode and memory mapped access mode.
7:4	RW	0x0	IDLE_CYCLE Idle Cycles When Switching IO from Output to Input 4'h0: Idle hold is disable 4'h1: Hold the SCLK in idle for 2 cycles when switch to shift in ... 4'hf: Hold the SCLK in idle for 16 cycles when switch to shift in To improve the transform IO timing, the application can set this register to hold the SCLK in low state or high state.
3:2	RO	0x0	reserved
1	RW	0x0	SHIFTPHASE Shift Phase of Data Input in Controller 1'b0: Shift input data at posedge SCLK 1'b1: Shift input data at negedge SCLK The application can select the input data captured by posedge of SCLK when "0" or negedge of SCLK when "1".

Bit	Attr	Reset Value	Description
0	RW	0x0	SPIM Serial Peripheral Interface Mode 1'b0: Mode 0 1'b1: Mode 3 SPIM is used to control the serial mode (CPOL and CPHA). CPOL indicates clock polarity of Serial master, CPOL=1 for SCLK high while idle, CPOL=0 for SCLK low while not transmitting. CPHA indicates clock phase. The combination of CPOL bit and CPHA bit decides which Serial mode is supported.

**FSPI AX1**

Address: Operational Base + offset (0x0214)

Bit	Attr	Reset Value	Description
31:8	RO	0x000000	reserved
7:0	RW	0x00	AX Auxiliary Data The AX value when doing the continuous read (enhance mode or XIP mode). That is M7-M0 in "Continuous Read Mode".

**FSPI ABIT1**

Address: Operational Base + offset (0x0218)

Bit	Attr	Reset Value	Description
31:5	RO	0x0000000	reserved
4:0	RW	0x00	ABIT Address Bits Extend 5'h0: 1 bit 5'h1: 2 bits ... 5'h1f: 32 bits Only valid when ADDR_B is set to 2'b11.

**FSPI DLL\_CTRL1**

Address: Operational Base + offset (0x023C)

Bit	Attr	Reset Value	Description
31:16	RO	0x0000	reserved
15	RW	0x0	SCLK_SMP_SEL SCLK sampling selection 1'b0: Bypass DLL 1'b1: From DLL The sampling SCLK source selection.
14:9	RO	0x00	reserved
8:0	RW	0x001	SMP_DLL_CFG Sample Delay Line Configuration 9'h0: 1 DLL element cell 9'h1: 1 DLL element cell 9'h2: 2 DLL element cells ... 9'h1ff: 511 DLL element cells This register to control the sampling delay line cell used. The maximum DLL element cells is decided by process.

**FSPI XMMC\_WCMD1**

Address: Operational Base + offset (0x0250)

Bit	Attr	Reset Value	Description
31:16	RO	0x0000	reserved

Bit	Attr	Reset Value	Description
15:14	WO	0x0	ADDRB Address Bits 2'b00: 0 bit 2'b01: 24 bits 2'b10: 32 bits 2'b11: From the ABIT register Address bits number select in memory mapped mode, if there is not address command to send, set to zero.
13	WO	0x0	CONT Continuous 1'b0: Disable continuous mode 1'b1: Enable continuous mode AX mode or Continuous mode or XIP mode for device which begins with address.
12	RO	0x0	reserved
11:8	WO	0x0	DUMM Dummy Cycles 4'h0: No dummy cycle ... 4'h8: 8 cycles ... Dummy bit cycles in memory mapped mode.
7:0	WO	0x00	CMD Command Command data in memory mapped access mode.

**FSPI XMMC RCMD1**

Address: Operational Base + offset (0x0254)

Bit	Attr	Reset Value	Description
31:16	RO	0x0000	reserved
15:14	WO	0x0	ADDRB Address Bits 2'b00: 0 bit 2'b01: 24 bits 2'b10: 32 bits 2'b11: From the ABIT register Address bits number select in memory mapped mode, if there is not address command to send, set to zero.
13	WO	0x0	CONT Continuous 1'b0: Disable continuous mode 1'b1: Enable continuous mode AX mode or Continuous mode or XIP mode for device which begins with address.
12	RO	0x0	reserved
11:8	WO	0x0	DUMM Dummy Cycles 4'h0: No dummy cycle ... 4'h8: 8 cycles ... Dummy bit cycles in memory mapped mode.
7:0	WO	0x00	CMD Command Command data in memory mapped access mode.

**FSPI DEVSIZ1**

Address: Operational Base + offset (0x0264)

Bit	Attr	Reset Value	Description
31:5	RO	0x0000000	reserved
4:0	RW	0x12	DSIZE Device Size 5'd0: 1 byte 5'd1: 2 bytes 5'd2: 4 bytes ..... 5'd10: 1K bytes ..... 5'd20: 1M bytes ..... 5'd31: 4G bytes Device size is used to generate slop over status.

**FSPI TME1**

Address: Operational Base + offset (0x0268)

Bit	Attr	Reset Value	Description
31:2	RO	0x00000000	reserved
1	RW	0x0	SCLK_INATM_EN SCLK Inactive Timeout Enable 1'b0: Disable 1'b1: Enable
0	RO	0x0	reserved

**30.5 Interface Description**

Table 30-2 FSPI IO M0 Group Interface Description

Module Pin	Dir	Pin Name	IOMUX Setting
sfc_sclk	O	EMMC_CMD/FSPI_CLK_M0/GPIO2_A0_u	BUS_IOC_GPIO2A_IOMUX_SEL_L[3:0]=4'h2
sfc_csn0	O	EMMC_D6/FSPI_CS0N_M0/GPIO2_D6_u	BUS_IOC_GPIO2D_IOMUX_SEL_H[11:8]=4'h2
sfc_csn1	O	EMMC_D7/FSPI_CS1N_M0/GPIO2_D7_u	BUS_IOC_GPIO2D_IOMUX_SEL_H[15:12]=4'h2
sfc_sio0	I/O	EMMC_D0/FSPI_D0_M0/GPIO2_D0_u	BUS_IOC_GPIO2D_IOMUX_SEL_L[3:0]=4'h2
sfc_sio1	I/O	EMMC_D1/FSPI_D1_M0/GPIO2_D1_u	BUS_IOC_GPIO2D_IOMUX_SEL_L[7:4]=4'h2
sfc_sio2	I/O	EMMC_D2/FSPI_D2_M0/GPIO2_D2_u	BUS_IOC_GPIO2D_IOMUX_SEL_L[11:8]=4'h2
sfc_sio3	I/O	EMMC_D3/FSPI_D3_M0/GPIO2_D3_u	BUS_IOC_GPIO2D_IOMUX_SEL_L[15:12]=4'h2

Notes: **I**=input, **O**=output, **I/O**=input/output, bidirectional.

Table 30-3 FSPI M1 Group Interface Description

Module Pin	Dir	Pin Name	IOMUX Setting
sfc_sclk	O	GMAC0_TXCLK/SDIO_CLK_M0/FSPI_CLK_M1/I2C3_SDA_M3/GPIO2_B3_d	BUS_IOC_GPIO2B_IOMUX_SEL_L[15:12]=4'h3
sfc_csn0	O	GMAC0_PTP_REFCLK/FSPI_CS0N_M1/HDMI_TX1_SDA_M0/I2C4_SDA_M1/UART7_RX_M0/GPIO2_B4_u	BUS_IOC_GPIO2B_IOMUX_SEL_H[3:0]=4'h3
sfc_csn1	O	GMAC0_PPSTRING/FSPI_CS1N_M1/HDMI_TX1_SCL_M0/I2C4_SCL_M1/UART7_TX_M0/GPIO2_B5_u	BUS_IOC_GPIO2B_IOMUX_SEL_H[7:4]=4'h3
sfc_sio0	I/O	GMAC0_RXD2/SDIO_D0_M0/FSPI_D0_M1/UART6_RX_M0/GPIO2_A6_u	BUS_IOC_GPIO2A_IOMUX_SEL_H[11:8]=4'h3



Module Pin	Dir	Pin Name	IOMUX Setting
sfc_sio1	I/O	GMAC0_RXD3/SDIO_D1_M0/FSPI_D1_M1/UART6_TX_M0/GPIO2_A7_u	BUS_IOC_GPIO2A_IOMUX_SEL_H[15:12]=4'h3
sfc_sio2	I/O	GMAC0_RXCLK/SDIO_D2_M0/FSPI_D2_M1/I2C8_SCL_M1/UART6_RTSN_M0/GPIO2_B0_u	BUS_IOC_GPIO2B_IOMUX_SEL_L[3:0]=4'h3
sfc_sio3	I/O	GMAC0_TXD2/SDIO_D3_M0/FSPI_D3_M1/I2C8_SDA_M1/UART6_CTSN_M0/GPIO2_B1_u	BUS_IOC_GPIO2B_IOMUX_SEL_L[7:4]=4'h3

Notes: **I**=input, **O**=output, **I/O**=input/output, bidirectional.

Table 30-4 FSPI M2 Group Interface Description

Module Pin	Dir	Pin Name	IOMUX Setting
sfc_sclk	O	GMAC1_RXCLK/SDIO_CLK_M1/MIPI_CAMERA0_CLK_M1/FSPI_CLK_M2/I2C4_SDA_M0/UART8_CTSN_M1/GPIO3_A5_d	BUS_IOC_GPIO3A_IOMUX_SEL_H[7:4]=4'h5
sfc_csn0	O	CIF_D8/FSPI_CS0N_M2/PCIE30X4_CLKREQN_M2/HD MI_TX1_CEC_M2/CAN2_RX_M0/UART5_TX_M1/SPI3_CS0_M3/GPIO3_C4_u	BUS_IOC_GPIO3C_IOMUX_SEL_H [3:0]=4'h2
sfc_csn1	O	CIF_D9/FSPI_CS1N_M2/PCIE30X4_WAKEN_M2/HDMI_TX1_SDA_M1/CAN2_TX_M0/UART5_RX_M1/SPI3_CS1_M3/GPIO3_C5_u	BUS_IOC_GPIO3C_IOMUX_SEL_H [7:4]=4'h2
sfc_sio0	I/O	GMAC1_TXD2/SDIO_D0_M1/I2S3_MCLK/FSPI_D0_M2/I2C6_SDA_M4/PWM10_M0/SPI4_MISO_M1/GPIO3_A0_u	BUS_IOC_GPIO3A_IOMUX_SEL_L[3:0]=4'h5
sfc_sio1	I/O	GMAC1_TXD3/SDIO_D1_M1/I2S3_SCLK/AUDDSM_LN /FSPI_D1_M2/I2C6_SCL_M4/PWM11_IR_M0/SPI4_MOSI_M1/GPIO3_A1_u	BUS_IOC_GPIO3A_IOMUX_SEL_L[7:4]=4'h5
sfc_sio2	I/O	GMAC1_RXD2/SDIO_D2_M1/I2S3_LRCK/AUDDSM_LP /FSPI_D2_M2/UART8_TX_M1/SPI4_CLK_M1/GPIO3_A2_u	BUS_IOC_GPIO3A_IOMUX_SEL_L[11:8]=4'h5
sfc_sio3	I/O	GMAC1_RXD3/SDIO_D3_M1/I2S3_SDO/AUDDSM_RN /FSPI_D3_M2/UART8_RX_M1/SPI4_CS0_M1/GPIO3_A3_u	BUS_IOC_GPIO3A_IOMUX_SEL_L[15:12]=4'h5

Notes: **I**=input, **O**=output, **I/O**=input/output, bidirectional.

## 30.6 Application Notes

### 30.6.1 Typical Program Flow Without DMA

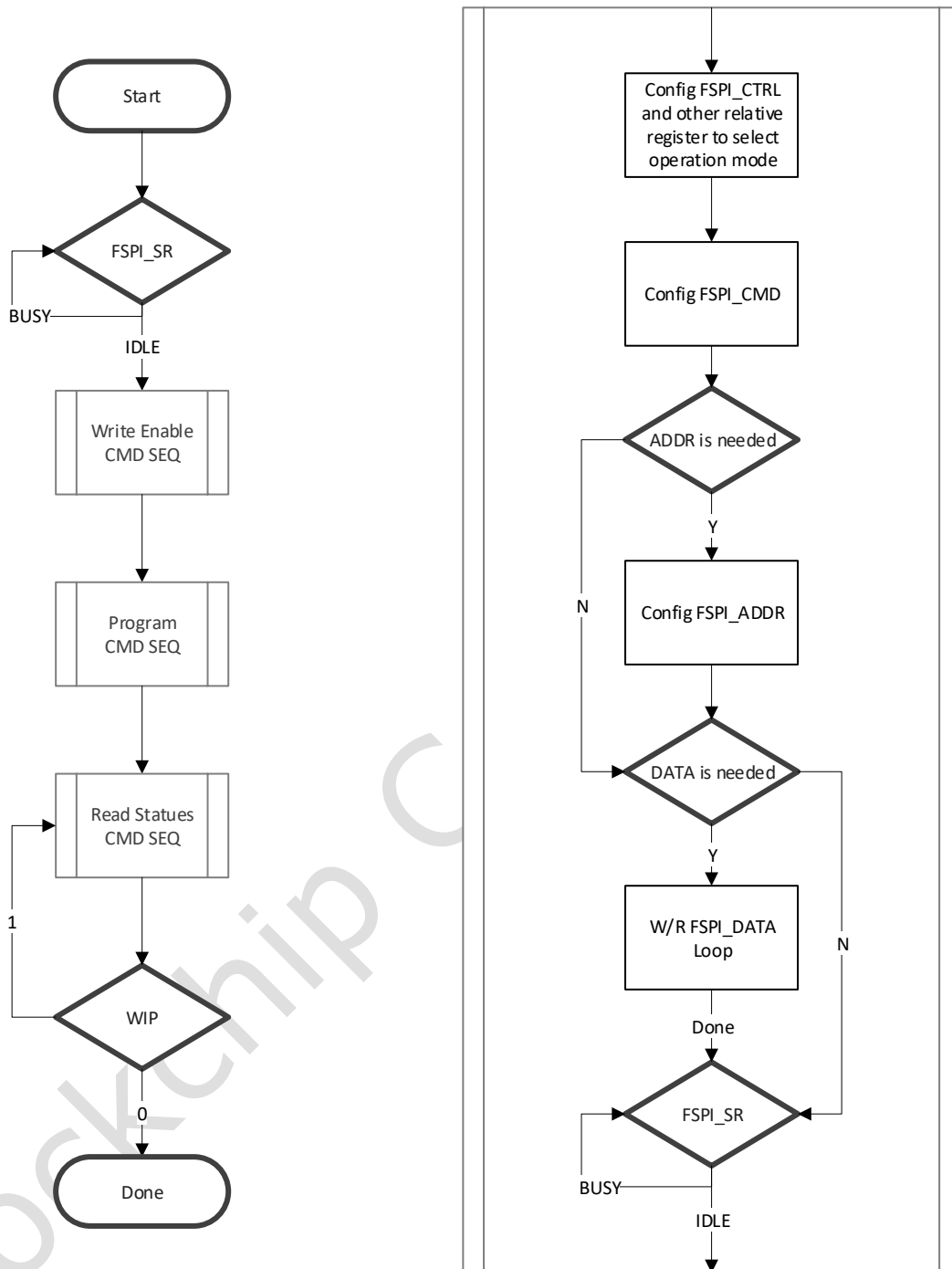


Fig. 30-2 Program Flow

All the AHB bus write data to FSPI\_CMD, FSPI\_ADDR and FSPI\_DATA will be marked with different header and then pushed into transmit FIFO by writing order.

### 30.6.2 Typical READ Flow Without DMA

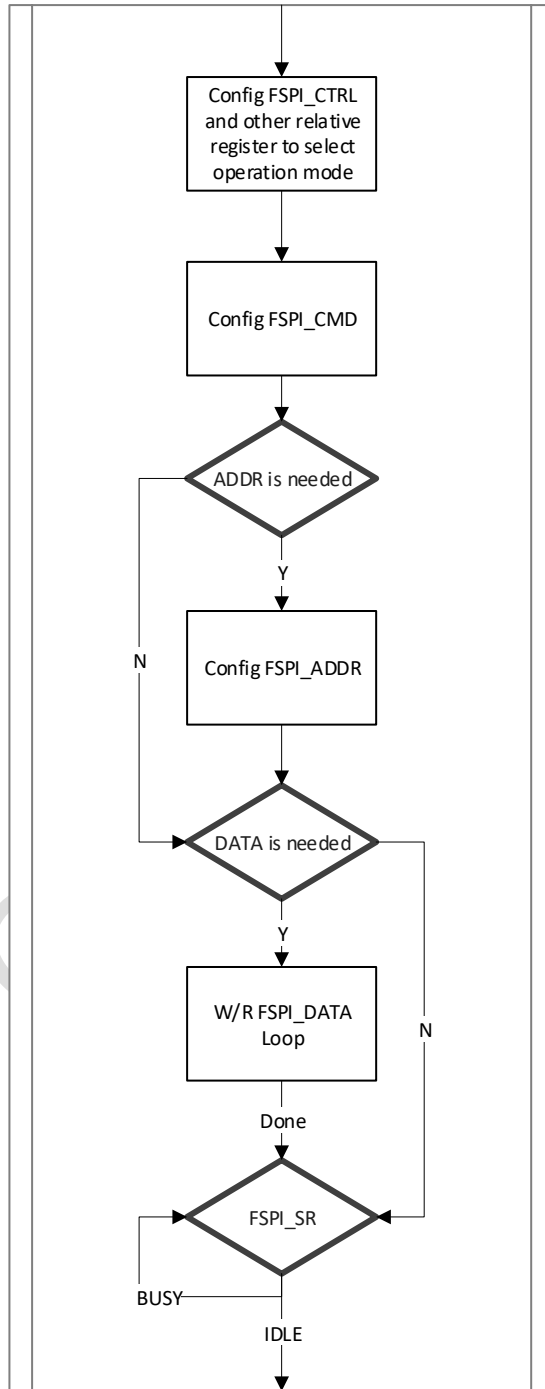
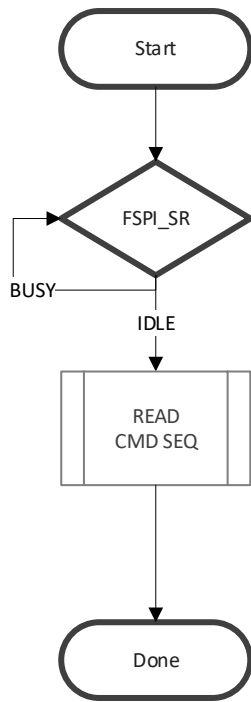


Fig. 30-3 Read Flow

### 30.6.3 Command Flow with DMA

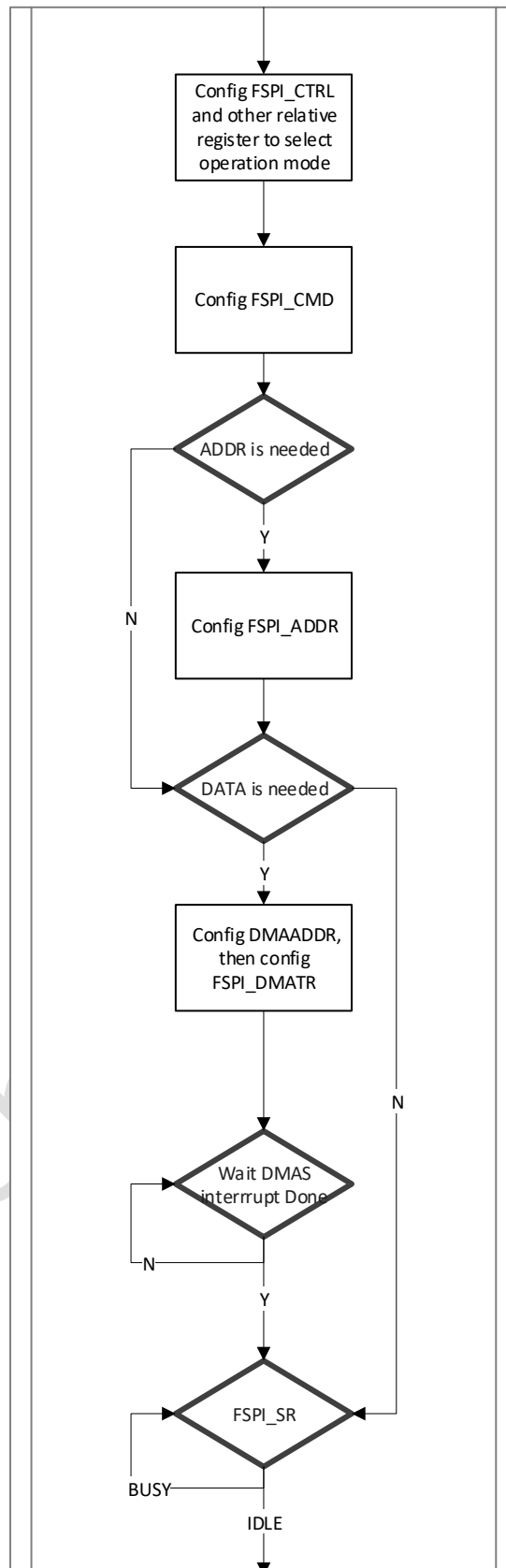


Fig. 30-4 Command with DMA Flow

The total transfer bytes is decided by TRB register in FSPI\_CMD and must be aligned to 2 bytes.

### 30.6.4 SPI Mode and Sampling Phase Control

The register SPIM in FSPI\_CTRL will decide the default value of SCLK when CS# is inactive. When SPIM=0, the default value is 0, means Mode 0. When SPIM=1, the default value is 1, means SPI Mode 3.

The register SHIFTPHASE in FSPI\_CTRL will decide when to sample the SIO data. If SHIFTPHASE=0, it will sample the data at the posedge of SCLK sampling clock. If SHIFTPHASE=1, it will sample the data at the negedge of SCLK sampling. The phase delay of sampling clock SCLK is configurable by SMP\_DLL\_CFG. It is strongly recommended that the SMP\_DLL\_CFG is set to 1 when SCLK\_SMP\_SEL is in bypass mode.

Individual FSPI\_DLL\_CTRL[n] allows flexibly control the DLL for each CSn channel, and the DLL is switched dynamically when the CSn is in operation.

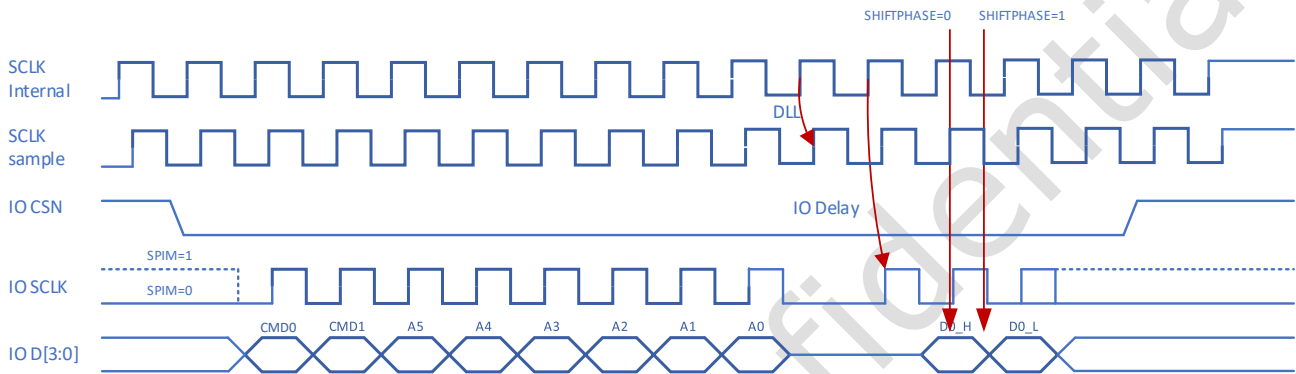


Fig. 30-5 SPI mode

### 30.6.5 Idle Cycles

The FSPI\_CTRL register is a global control register, when the controller is in busy state (FSPI\_SR), FSPI\_CTRL cannot be set. The field IDLE\_CYCLE (FSPI\_CTRL[7:4]) of this register are used to configure the idle level cycles of FSPI core clock (SCLK) before reading the first bit of the read command.

Like the following picture shows, the highlighted line of the SCLK is the idle cycles, during these cycles, the chip pad is switched to output. When IDLE\_CYCLE =0, it means there will be no idle level cycles.

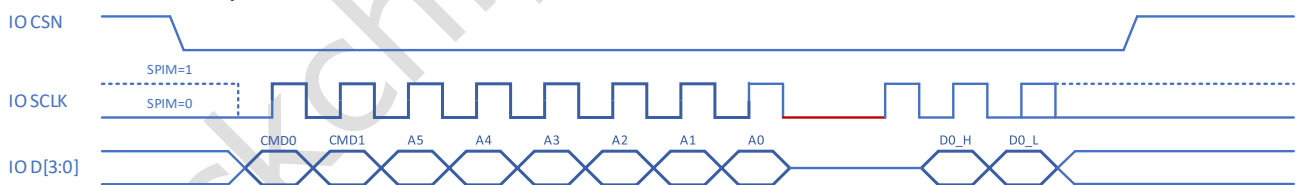


Fig. 30-6 Idle cycles

### 30.6.6 Memory-Mapped Mode

After the Controller is configured as Memory-Mapped mode, the normal operation mode is not allowed which means indirect command transaction is forbidden unless software configures the FSPI\_MODE back to indirect access mode.

Before switching into Memory-Mapped mode, the software should initiate some transactions to configure the external device, such as Quad IO enable and IO Drive Strength.

In Memory-Mapped mode, it supports read transaction from serial NOR Flash and serial pSRAM, but only support write transaction into serial pSRAM.

## Chapter 31 Serial Peripheral Interface (SPI)

### 31.1 Overview

The serial peripheral interface is an APB slave device. There are four possible combinations for the serial clock phase and polarity. The clock phase (SCPH) determines whether the serial transfer begins with the falling edge of slave select signals or the first edge of the serial clock. The slave select line is held high when the SPI is idle or disabled. This SPI controller can work as either master or slave mode.

SPI Controller supports the following features:

- Support Motorola SPI, TI Synchronous Serial Protocol and National Semiconductor Micro wire interface
- Support 32-bit APB bus
- Support two internal 16-bit wide and 64-location deep FIFOs, one for transmitting and the other for receiving serial data
- Support two chip select signals in master mode
- Support 4,8,16 bit serial data transfer
- Support configurable interrupt polarity
- Support asynchronous APB bus and SPI clock
- Support master and slave mode
- Support DMA handshake interface and configurable DMA water level
- Support transmit FIFO empty, underflow, receive FIFO full, overflow, interrupt and all interrupts can be masked
- Support configurable water level of transmit FIFO empty and receive FIFO full interrupt
- Support combine interrupt output
- Support up to half of SPI clock frequency transfer in master mode and one quarter of SPI clock frequency transfer in slave mode
- Support full and half duplex mode transfer
- Stop transmitting SCLK if transmit FIFO is empty or receive FIFO is full in master mode
- Support configurable delay from chip select active to SCLK active in master mode
- Support configurable period of chip select inactive between two parallel data in master mode
- Support big and little endian, MSB and LSB first transfer
- Support two 8-bit audio data store together in one 16-bit wide location
- Support sample RXD 0~3 SPI clock cycles later
- Support configurable SCLK polarity and phase
- Support fix and incremental address access to transmit and receive FIFO
- Support timeout mechanism in slave mode
- Support BYPASS slave mode, in which RX and TX logic is drive by SCLK\_IN directly instead of spi\_clk

### 31.2 Block Diagram

The SPI Controller comprises with:

- AMBA APB interface and DMA Controller Interface
- Transmit and receive FIFO controllers and an FSM controller
- Register block
- Shift control and interrupt

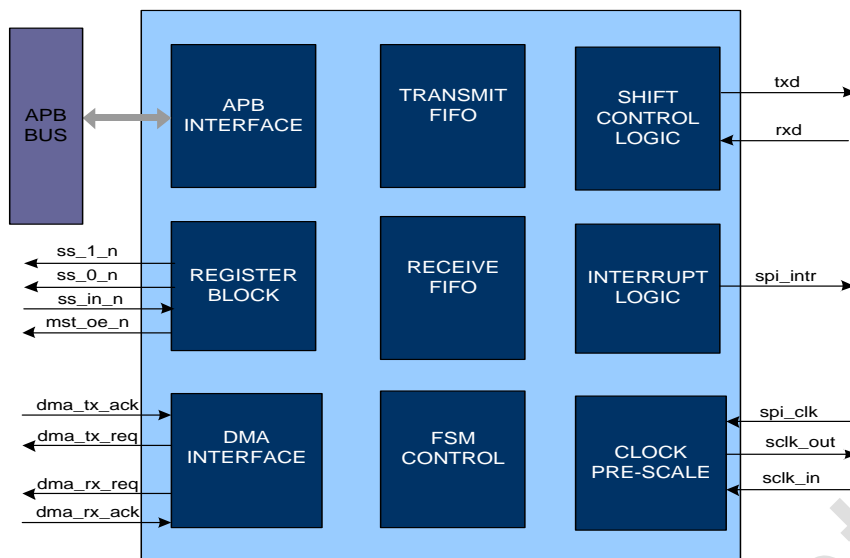


Fig. 31-1 SPI Controller Block Diagram

**APB INTERFACE**

The host processor accesses data, control, and status information on the SPI through the APB interface. The SPI supports APB data bus widths of 32 bits and 8 or 16 bits when reading or writing internal FIFO if data frame size(SPI\_CTRL0[1:0]) is set to 8 bits.

**DMA INTERFACE**

This block has a handshaking interface to a DMA Controller to request and control transfers. The APB bus is used to perform the data transfer to or from the DMA Controller.

**FIFO LOGIC**

For transmit and receive transfers, data transmitted from the SPI to the external serial device is written into the transmit FIFO. Data received from the external serial device into the SPI is pushed into the receive FIFO. Both FIFOs are 64x16bits.

**FSM CONTROL**

Control the state's transformation of the design.

**REGISTER BLOCK**

All registers in the SPI are addressed at 32-bit boundaries to remain consistent with the APB bus. Where the physical size of any register is less than 32-bits wide, the upper unused bits of the 32-bit boundary are reserved. Writing to these bits has no effect; reading from these bits returns 0.

**SHIFT CONTROL**

Shift control logic shift the data from the transmit FIFO or to the receive FIFO. This logic automatically right-justifies receive data in the receive FIFO buffer.

**INTERRUPT CONTROL**

The SPI supports combined and individual interrupt requests, each of which can be masked. The combined interrupt request is the OR relationship between all other SPI interrupts after masking.

### 31.3 Function Description

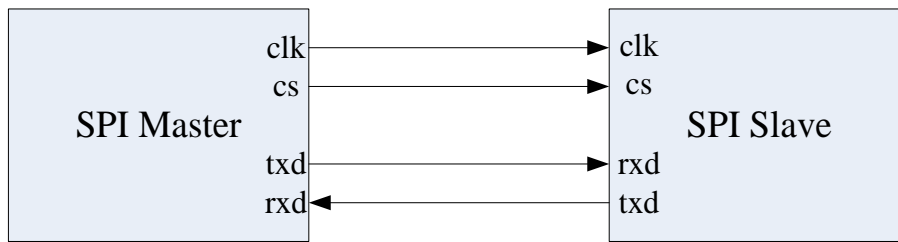


Fig. 31-2 SPI Master and Slave Interconnection

The SPI controller support dynamic switching between master and slave in a system. The diagram show how the SPI controller connects with other SPI devices.

#### Operation Modes

The SPI can be configured in the following two fundamental modes of operation: Master Mode when SPI\_CTRLR0 [20] is 1'b0, Slave Mode when SPI\_CTRLR0 [20] is 1'b1.

#### Transfer Modes

The SPI operates in the following three modes when transferring data on the serial bus.

1). Transmit and Receive

When SPI\_CTRLR0 [19:18] == 2'b00, both transmit and receive logic are valid.

2). Transmit Only

When SPI\_CTRLR0 [19:18] == 2'b01, the receive data are invalid and should not be stored in the receive FIFO.

3). Receive Only

When SPI\_CTRLR0 [19:18] == 2'b10, the transmit data are invalid.

#### Clock Ratios

A summary of the frequency ratio restrictions between the bit-rate clock (sclk\_out/sclk\_in) and the SPI peripheral clock (spi\_clk) are described as:

When SPI Controller works as master, the  $F_{spi\_clk} \geq 2 \times (\text{maximum } F_{sclk\_out})$

When SPI Controller works as slave, the  $F_{spi\_clk} \geq 6 \times (\text{maximum } F_{sclk\_in})$

With the SPI, the clock polarity (SCPOL) configuration parameter determines whether the inactive state of the serial clock is high or low. To transmit data, both SPI peripherals must have identical serial clock phase (SCPH) and clock polarity (SCPOL) values. The data frame can be 4/8/16 bits in length.

When the configuration parameter SCPH = 0, data transmission begins on the falling edge of the slave select signal. The first data bit is captured by the master and slave peripherals on the first edge of the serial clock; therefore, valid data must be present on the txd and rxd lines prior to the first serial clock edge. The following two figures show a timing diagram for a single SPI data transfer with SCPH = 0. The serial clock is shown for configuration parameters SCPOL = 0 and SCPOL = 1.

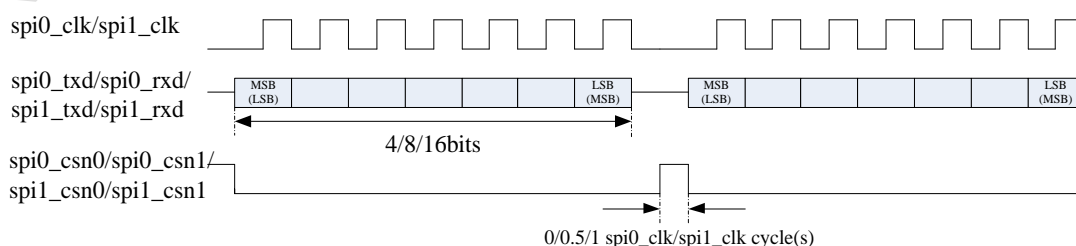


Fig. 31-3 SPI Format (SCPH=0 SCPOL=0)



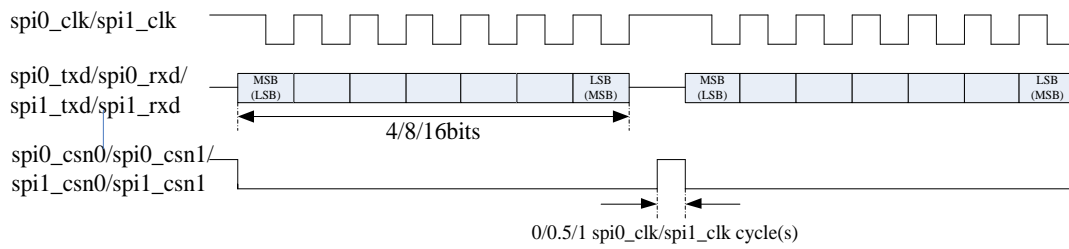


Fig. 31-4 SPI Format (SCPH=0 SCPOL=1)

When the configuration parameter SCPH = 1, both master and slave peripherals begin transmitting data on the first serial clock edge after the slave select line is activated. The first data bit is captured on the second (trailing) serial clock edge. Data are propagated by the master and slave peripherals on the leading edge of the serial clock. During continuous data frame transfers, the slave select line may be held active-low until the last bit of the last frame has been captured. The following two figures show the timing diagram for the SPI format when the configuration parameter SCPH = 1.

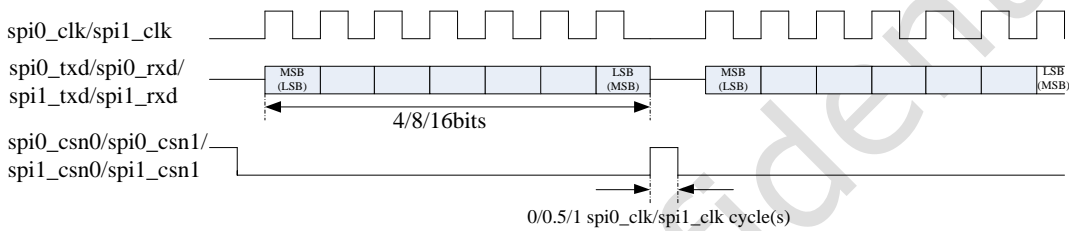


Fig. 31-5 SPI Format (SCPH=1 SCPOL=0)

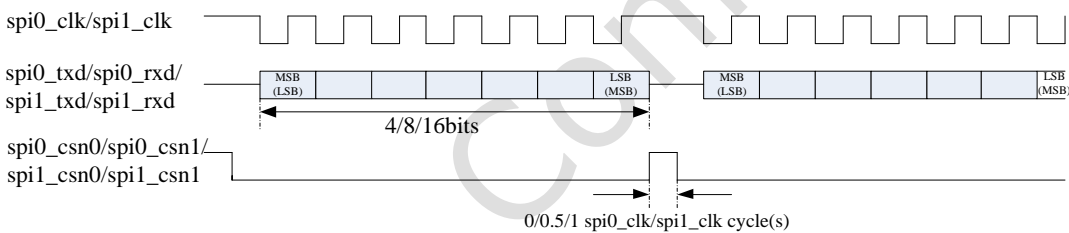


Fig. 31-6 SPI Format (SCPH=1 SCPOL=1)

## 31.4 Register Description

### 31.4.1 Registers Summary

Name	Offset	Size	Reset Value	Description
<u>SPI_CTRLR0</u>	0x0000	W	0x00000002	Control Register 0
<u>SPI_CTRLR1</u>	0x0004	W	0x00000000	Control Register 1
<u>SPI_ENR</u>	0x0008	W	0x00000000	SPI Enable Register
<u>SPI_SER</u>	0x000C	W	0x00000000	Slave Enable Register
<u>SPI_BAUDR</u>	0x0010	W	0x00000000	Baud Rate Select
<u>SPI_TXFTLR</u>	0x0014	W	0x00000000	Transmit FIFO Threshold Level
<u>SPI_RXFTLR</u>	0x0018	W	0x00000000	Receive FIFO Threshold Level
<u>SPI_TXFLR</u>	0x001C	W	0x00000000	Transmit FIFO Level
<u>SPI_RXFLR</u>	0x0020	W	0x00000000	Receive FIFO Level
<u>SPI_SR</u>	0x0024	W	0x0000004C	SPI Status
<u>SPI_IPR</u>	0x0028	W	0x00000000	Interrupt Polarity
<u>SPI_IMR</u>	0x002C	W	0x00000000	Interrupt Mask
<u>SPI_ISR</u>	0x0030	W	0x00000000	Interrupt Status
<u>SPI_RISR</u>	0x0034	W	0x00000001	Raw Interrupt Status
<u>SPI_ICR</u>	0x0038	W	0x00000000	Interrupt Clear
<u>SPI_DMA CR</u>	0x003C	W	0x00000000	DMA Control

Name	Offset	Size	Reset Value	Description
<u>SPI_DMATDLR</u>	0x0040	W	0x00000000	DMA Transmit Data Level
<u>SPI_DMARDLR</u>	0x0044	W	0x00000000	DMA Receive Data Level
<u>SPI_VERSION</u>	0x0048	W	0x00110002	IP version
<u>SPI_TIMEOUT</u>	0x004C	W	0x00000000	Timeout control register
<u>SPI_BYPASS</u>	0x0050	W	0x00000000	BYPASS control register
<u>SPI_TXDR</u>	0x0400	W	0x00000000	Transmit FIFO Data
<u>SPI_RXDR</u>	0x0800	W	0x00000000	Receive FIFO Data

Notes: **Size:** **B**- Byte (8 bits) access, **HW**- Half WORD (16 bits) access, **W**-WORD (32 bits) access, **DW**- Double WORD (64 bits) access

### 31.4.2 Detail Registers Description

#### **SPI\_CTRLR0**

Address: Operational Base + offset (0x0000)

Bit	Attr	Reset Value	Description
31:26	RO	0x00	reserved
25	RW	0x0	lbk Loop back mode select. 1'b0: Normal mode. 1'b1: Loop back mode, rxd is connected to txd.
24:23	RW	0x0	soi SS_N output inverted. 1'b0: Corresponding bit of ss_in is not inverted. 1'b1: Corresponding bit of ss_in is inverted.
22	RW	0x0	sm SCLK_IN is masked by SS_N or not. 1'b0: SCLK_IN is masked 1'b1: SCLK_IN is not masked
21	RW	0x0	mtm Valid when frame format is set to National Semiconductors Microwire. 1'b0: Non-sequential transfer 1'b1: Sequential transfer
20	RW	0x0	opm Master and slave mode select. 1'b0: Master Mode 1'b1: Slave Mode
19:18	RW	0x0	xfm Transmit and receive mode select. 2'b00 : Transmit & Receive 2'b01 : Transmit Only 2'b10 : Receive Only 2'b11 : Reserved
17:16	RW	0x0	frf 2'b00: Motorola SPI 2'b01: Texas Instruments SSP 2'b10: National Semiconductors Microwire 2'b11: Reserved

Bit	Attr	Reset Value	Description
15:14	RW	0x0	rsd When SPI is configured as a master, if the rxd data cannot be sampled by the sclk_out edge at the right time, this register should be configured to define the number of the spi_clk cycles after the active sclk_out edge to sample rxd data later when SPI works at high frequency. 2'b00: Do not delay 2'b01: 1 cycle delay 2'b10: 2 cycles delay 2'b11: 3 cycles delay
13	RW	0x0	bht Valid when data frame size is 8bit. 1'b0: APB 16bit write/read, spi 8bit write/read. 1'b1: APB 8bit write/read, spi 8bit write/read.
12	RW	0x0	fbm 1'b0: First bit is MSB. 1'b1: First bit is LSB.
11	RW	0x0	em Serial endian mode can be configured by this bit. APB endian mode is always little endian. 1'b0: Little endian 1'b1: Big endian
10	RW	0x0	ssd Valid when the frame format is set to Motorola SPI and SPI used as a master. 1'b0: The period between ss_n active and sclk_out active is half sclk_out cycles. 1'b1: The period between ss_n active and sclk_out active is one sclk_out cycle.
9:8	RW	0x0	csm Valid when the frame format is set to Motorola SPI and SPI used as a master. 2'b00: ss_n keep low after every frame data is transferred. 2'b01: ss_n be high for half sclk_out cycles after every frame data is transferred. 2'b10: ss_n be high for one sclk_out cycle after every frame data is transferred. 2'b11: Reserved
7	RW	0x0	scpol Valid when the frame format is set to Motorola SPI. 1'b0: Inactive state of serial clock is low. 1'b1: Inactive state of serial clock is high.
6	RW	0x0	scph Valid when the frame format is set to Motorola SPI. 1'b0: Serial clock toggles in middle of first data bit. 1'b1: Serial clock toggles at start of first data bit.

Bit	Attr	Reset Value	Description
5:2	RW	0x0	<p>cfs Selects the length of the control word for the Microwire frame format.</p> <p>4'b0000~4'b0010: Reserved                      4'b0011: 4-bit serial data transfer                      4'b0100: 5-bit serial data transfer                      4'b0101: 6-bit serial data transfer                      4'b0110: 7-bit serial data transfer                      4'b0111: 8-bit serial data transfer                      4'b1000: 9-bit serial data transfer                      4'b1001: 10-bit serial data transfer                      4'b1010: 11-bit serial data transfer                      4'b1011: 12-bit serial data transfer                      4'b1100: 13-bit serial data transfer                      4'b1101: 14-bit serial data transfer                      4'b1110: 15-bit serial data transfer                      4'b1111: 16-bit serial data transfer</p>
1:0	RW	0x2	<p>dfs Selects the data frame length.</p> <p>2'b00: 4bit data                      2'b01: 8bit data                      2'b10: 16bit data                      2'b11: Reserved</p>

**SPI\_CTRLR1**

Address: Operational Base + offset (0x0004)

Bit	Attr	Reset Value	Description
31:0	RW	0x00000000	<p>ndm When Transfer Mode is receive only, this register field sets the number of data frames to be continuously received by the SPI. The SPI continues to receive serial data until the number of data frames received is equal to this register value plus 1, which enables you to receive up to 4GB of data in a continuous transfer.</p>

**SPI\_ENR**

Address: Operational Base + offset (0x0008)

Bit	Attr	Reset Value	Description
31:1	RO	0x00000000	reserved
0	RW	0x0	<p>enr Enables and disables all SPI operations. Transmit and receive FIFO buffers are cleared when the device is disabled.</p>

**SPI\_SER**

Address: Operational Base + offset (0x000C)

Bit	Attr	Reset Value	Description
31:2	RO	0x00000000	reserved
1:0	RW	0x0	<p>ser Slave enable register. The register enable the individual slave select output lines, 2 slave-select output pins are available. This register is valid only when SPI is configured as a master device.</p>

**SPI\_BAUDR**

Address: Operational Base + offset (0x0010)

Bit	Attr	Reset Value	Description
31:16	RO	0x0000	reserved

Bit	Attr	Reset Value	Description
15:0	RW	0x0000	baudr SPI Clock Divider. This register is valid only when the SPI is configured as a master device. The LSB for this field is always set to 0 and is unaffected by a write operation, which ensures an even value is held in this register. If the value is 0, the serial output clock (sclk_out) is disabled. The frequency of the sclk_out is derived from the following equation: $F_{sclk\_out} = F_{spi\_clk} / SCKDV$ Where SCKDV is any even value between 2 and 65534. For example: for $F_{spi\_clk} = 3.6864\text{MHz}$ and $SCKDV = 2$ $F_{sclk\_out} = 3.6864/2 = 1.8432\text{MHz}$

**SPI TXFTLR**

Address: Operational Base + offset (0x0014)

Bit	Attr	Reset Value	Description
31:6	RO	0x0000000	reserved
5:0	RW	0x00	xftlr When the number of transmit FIFO entries is less than or equal to this value, the transmit FIFO empty interrupt is triggered.

**SPI RXFTLR**

Address: Operational Base + offset (0x0018)

Bit	Attr	Reset Value	Description
31:6	RO	0x0000000	reserved
5:0	RW	0x00	rxftlr When the number of receive FIFO entries is greater than or equal to this value + 1, the receive FIFO full interrupt is triggered.

**SPI TXFLR**

Address: Operational Base + offset (0x001C)

Bit	Attr	Reset Value	Description
31:7	RO	0x0000000	reserved
6:0	RO	0x00	txflr Contains the number of valid data entries in the transmit FIFO.

**SPI RXFLR**

Address: Operational Base + offset (0x0020)

Bit	Attr	Reset Value	Description
31:7	RO	0x0000000	reserved
6:0	RO	0x00	rxflr Contains the number of valid data entries in the receive FIFO.

**SPI SR**

Address: Operational Base + offset (0x0024)

Bit	Attr	Reset Value	Description
31:7	RO	0x0000000	reserved
6	RO	0x1	ssi 1'b0: ss_in_n is low. 1'b1: ss_in_n is high.
5	RO	0x0	stb 1'b0: Slave tx not busy. 1'b1: Slave tx busy.

Bit	Attr	Reset Value	Description
4	RO	0x0	rff 1'b0: Receive FIFO is not full. 1'b1: Receive FIFO is full.
3	RO	0x1	rfe 1'b0: Receive FIFO is not empty. 1'b1: Receive FIFO is empty.
2	RO	0x1	tfe 1'b0: Transmit FIFO is not empty. 1'b1: Transmit FIFO is empty.
1	RO	0x0	tff 1'b0: Transmit FIFO is not full. 1'b1: Transmit FIFO is full.
0	RO	0x0	bsf When set, indicates that a serial transfer is in progress; when cleared, indicates that the SPI is idle or disabled. 1'b0: SPI is idle or disabled. 1'b1: SPI is actively transferring data.

**SPI IPR**

Address: Operational Base + offset (0x0028)

Bit	Attr	Reset Value	Description
31:1	RO	0x00000000	reserved
0	RW	0x0	ipr Interrupt Polarity Register. 1'b0: Active Interrupt Polarity Level is HIGH. 1'b1: Active Interrupt Polarity Level is LOW.

**SPI IMR**

Address: Operational Base + offset (0x002C)

Bit	Attr	Reset Value	Description
31:8	RO	0x000000	reserved
7	RW	0x0	txfim 1'b0: TX finish interrupt is masked. 1'b1: TX finish interrupt is not masked.
6	RW	0x0	sspim 1'b0: ss_in_n posedege interrupt is masked. 1'b1: ss_in_n posedege interrupt is not masked.
5	RW	0x0	toim 1'b0: spi timeout interrupt is masked. 1'b1: spi timeout interrupt is not masked.
4	RW	0x0	rffim 1'b0: spi_rxf_intr interrupt is masked. 1'b1: spi_rxf_intr interrupt is not masked.
3	RW	0x0	rfoim 1'b0: spi_rxo_intr interrupt is masked. 1'b1: spi_rxo_intr interrupt is not masked.
2	RW	0x0	rfuim 1'b0: spi_rxu_intr interrupt is masked. 1'b1: spi_rxu_intr interrupt is not masked.
1	RW	0x0	tfoim 1'b0: spi_txo_intr interrupt is masked. 1'b1: spi_txo_intr interrupt is not masked.
0	RW	0x0	tfeim 1'b0: spi_txe_intr interrupt is masked. 1'b1: spi_txe_intr interrupt is not masked.

**SPI\_ISR**

Address: Operational Base + offset (0x0030)

Bit	Attr	Reset Value	Description
31:8	RO	0x000000	reserved
7	RW	0x0	txfis 1'b0: TX finish interrupt is not active after masking. 1'b1: TX finish interrupt is active after masking.
6	RW	0x0	sspis 1'b0: ss_in_n posedege interrupt is not active after masking. 1'b1: ss_in_n posedege interrupt is active after masking.
5	RW	0x0	tois 1'b0: spi timeout interrupt is not active after masking. 1'b1: spi timeout interrupt is active after masking.
4	RO	0x0	rffis 1'b0: spi_rxf_intr interrupt is not active after masking. 1'b1: spi_rxf_intr interrupt is full after masking.
3	RO	0x0	rfois 1'b0: spi_rxo_intr interrupt is not active after masking. 1'b1: spi_rxo_intr interrupt is active after masking.
2	RO	0x0	rfuis 1'b0: spi_rxu_intr interrupt is not active after masking. 1'b1: spi_rxu_intr interrupt is active after masking.
1	RO	0x0	tfois 1'b0: spi_txo_intr interrupt is not active after masking. 1'b1: spi_txo_intr interrupt is active after masking.
0	RO	0x0	tfeis 1'b0: spi_txe_intr interrupt is not active after masking. 1'b1: spi_txe_intr interrupt is active after masking.

**SPI\_RISR**

Address: Operational Base + offset (0x0034)

Bit	Attr	Reset Value	Description
31:8	RO	0x000000	reserved
7	RW	0x0	txfris 1'b0: TX finish interrupt is not active prior to masking. 1'b1: TX finish interrupt is active prior to masking.
6	RW	0x0	sspris 1'b0: ss_in_n posedege interrupt is not active prior to masking. 1'b1: ss_in_n posedege interrupt is active prior to masking.
5	RW	0x0	toris 1'b0: spi_timeout interrupt is not active prior to masking. 1'b1: spi_timeout interrupt is active prior to masking.
4	RO	0x0	rffris 1'b0: spi_rxf_intr interrupt is not active prior to masking. 1'b1: spi_rxf_intr interrupt is full prior to masking.
3	RO	0x0	rforis 1'b0: spi_rxo_intr interrupt is not active prior to masking. 1'b1: spi_rxo_intr interrupt is active prior to masking.
2	RO	0x0	rfuris 1'b0: spi_rxu_intr interrupt is not active prior to masking. 1'b1: spi_rxu_intr interrupt is active prior to masking.
1	RO	0x0	tforis 1'b0: spi_txo_intr interrupt is not active prior to masking. 1'b1: spi_txo_intr interrupt is active prior to masking.

Bit	Attr	Reset Value	Description
0	RO	0x1	tferis 1'b0: spi_txe_intr interrupt is not active prior to masking. 1'b1: spi_txe_intr interrupt is active prior to masking.

**SPI ICR**

Address: Operational Base + offset (0x0038)

Bit	Attr	Reset Value	Description
31:7	RO	0x00000000	reserved
6	WO	0x0	ctxfi Write 1 to Clear tx finish Interrupt.
5	WO	0x0	csspi Write 1 to Clear ss_in_n posedge Interrupt.
4	WO	0x0	ctoi Write 1 to Clear Timeout Interrupt.
3	WO	0x0	ctfoi Write 1 to Clear Transmit FIFO Overflow Interrupt.
2	WO	0x0	crfoi Write 1 to Clear Receive FIFO Overflow Interrupt.
1	WO	0x0	crfui Write 1 to Clear Receive FIFO Underflow Interrupt.
0	WO	0x0	cci Write 1 to Clear Combined Interrupt.

**SPI DMACR**

Address: Operational Base + offset (0x003C)

Bit	Attr	Reset Value	Description
31:2	RO	0x00000000	reserved
1	RW	0x0	tde 1'b0: Transmit DMA disabled. 1'b1: Transmit DMA enabled.
0	RW	0x0	rde 1'b0: Receive DMA disabled. 1'b1: Receive DMA enabled.

**SPI DMATDLR**

Address: Operational Base + offset (0x0040)

Bit	Attr	Reset Value	Description
31:6	RO	0x00000000	reserved
5:0	RW	0x00	tdl This bit field controls the level at which a DMA request is made by the transmit logic. It is equal to the watermark level; that is, the dma_tx_req signal is generated when the number of valid data entries in the transmit FIFO is equal to or below this field value, and transmit DMA is enabled (DMACR[1] = 1).

**SPI DMARDLR**

Address: Operational Base + offset (0x0044)

Bit	Attr	Reset Value	Description
31:6	RO	0x00000000	reserved



Bit	Attr	Reset Value	Description
5:0	RW	0x00	rdl This bit field controls the level at which a DMA request is made by the receive logic. The watermark level = DMARDL+1; that is, dma_rx_req is generated when the number of valid data entries in the receive FIFO is equal to or above this field value + 1, and receive DMA is enabled(DMACR[0]=1).

**SPI VERSION**

Address: Operational Base + offset (0x0048)

Bit	Attr	Reset Value	Description
31:0	RO	0x00110002	version IP version

**SPI TIMEOUT**

Address: Operational Base + offset (0x004C)

Bit	Attr	Reset Value	Description
31:17	RO	0x0000	reserved
16	RW	0x0	toe Timeout enable. 1'b0: Timeout counter is inactive. 1'b1: Timeout counter will be active after the first rising edge of sclk_in.
15:0	RW	0x0000	toV Timeout threshold value. If sclk_in keep inactive for a threshold time, timeout interrupt will be triggered. The timeout threshold time is TOV*pclk_perid*16.

**SPI BYPASS**

Address: Operational Base + offset (0x0050)

Bit	Attr	Reset Value	Description
31:5	RO	0x0000000	reserved
4	RW	0x0	txcp TX clock polarity.This bit is only valid in bypass mode. 1'b0: TX logic use raw SCLK. 1'b1: TX logic use inverted SCLK.
3	RW	0x0	rxcp RX clock polarity.This bit is only valid in bypass mode. 1'b0: RX logic use raw SCLK. 1'b1: RX logic use inverted SCLK.
2	RW	0x0	end Endian mode.This bit is only valid in bypass mode. 1'b0: Work in little endian mode. 1'b1: Work in big endian mode.
1	RW	0x0	fbm First bit mode.This bit is only valid in bypass mode. 1'b0: First bit is LSB. 1'b1: First bit is MSB.
0	RW	0x0	byen Bypass enable. 1'b0: Normal mode. 1'b1: Bypass mode, SPI serial/parallel convert logic is drive by SCLK.

**SPI TXDR**

Address: Operational Base + offset (0x0400)

Bit	Attr	Reset Value	Description
31:16	RO	0x0000	reserved
15:0	WO	0x0000	txdr When it is written to, data are moved into the transmit FIFO.

**SPI RXDR**

Address: Operational Base + offset (0x0800)

Bit	Attr	Reset Value	Description
31:16	RO	0x0000	reserved
15:0	RO	0x0000	rxdr When the register is read, data in the receive FIFO is accessed.

**31.5 Interface Description**

Table 31-1 SPI0 interface description

Module Pin	Direction	Pin Name	IOMUX Setting
<b>IOMUX0</b>			
spi_sclk	I/O	I2S1_SDI1_M1/NPU_AVS/UART0_RT SN/PWM5_M1/SPI0_CLK_M0/PCIE30X4_CLKREQN_M0/SATA_CP_POD/GPIO0_C6_u	BUS_IOC_GPIO0C_IOMUX_SEL_H[11:8] = 4'h8 PMU2_IOC_GPIO0C_IOMUX_SEL_H[11:8] = 4'h8
spi_mosi	I	PDM0_CLK0_M1/PWM1_M0/I2C2_SDA_M0/CAN0_RX_M0/SPI0_MOSI_M0/PCIE30X1_0_CLKREQN_M0/GPIO0_C0_d	BUS_IOC_GPIO0C_IOMUX_SEL_L[3:0] = 4'h8 PMU2_IOC_GPIO0C_IOMUX_SEL_L[3:0] = 4'h8
spi_miso	O	I2S1_SDI2_M1/PDM0_SDI0_M1/I2C6_SDA_M0/UART1_RT SN_M2/PWM6_M0/SPI0_MISO_M0/PCIE30X4_WAKEN_M0/GPIO0_C7_d	BUS_IOC_GPIO0C_IOMUX_SEL_H[15:12] = 4'h8 PMU2_IOC_GPIO0C_IOMUX_SEL_H[15:12] = 4'h8
spi_csn0	I/O	I2S1_SDO0_M1/CPU_BIG0_AVS/I2C0_SCL_M2/UART0_CTSN/UART1_TX_M2/HDMI_RX_SDA_M0/SPI0_CS0_M0/PCIE30X2_CLKREQN_M0/HDMI_TX0_CEC_M1/GPIO0_D1_u	BUS_IOC_GPIO0D_IOMUX_SEL_L[7:4] = 4'h8 PMU2_IOC_GPIO0D_IOMUX_SEL_L[7:4] = 4'h8
spi_csn1	O	I2S1_LRCK_M1/PWM0_M0/I2C2_SCL_M0/CAN0_TX_M0/SPI0_CS1_M0/PCIE30X1_1_PERSTN_M0/GPIO0_B7_d	BUS_IOC_GPIO0B_IOMUX_SEL_H[15:12] = 4'h8 PMU2_IOC_GPIO0B_IOMUX_SEL_H[15:12] = 4'h8
<b>IOMUX1</b>			
spi_sclk	I/O	CIF_D2/BT1120_D2/I2S1_LRCK_M0/PCIE30X1_1_PERSTN_M1/SPI0_CLK_M1/GPIO4_A2_d	BUS_IOC_GPIO4A_IOMUX_SEL_L[11:8] = 4'h8
spi_mosi	I	CIF_D1/BT1120_D1/I2S1_SCLK_M0/PCIE30X1_1_WAKEN_M1/UART9_CTSN_M1/SPI0_MOSI_M1/GPIO4_A1_d	BUS_IOC_GPIO4A_IOMUX_SEL_L[7:4] = 4'h8
spi_miso	O	CIF_D0/BT1120_D0/I2S1_MCLK_M0/PCIE30X1_1_CLKREQN_M1/UART9_RT SN_M1/SPI0_MISO_M1/GPIO4_A0_d	BUS_IOC_GPIO4A_IOMUX_SEL_L[3:0] = 4'h8
spi_csn0	I/O	CIF_HREF/BT1120_D8/I2S1_SDO1_M0/PCIE30X1_1_BUTTON_RSTN/I2C7_SCL_M3/UART8_RT SN_M0/PWM14_M1/SPI0_CS0_M1/CAN1_RX_M1/GPIO4_B2_u	BUS_IOC_GPIO4B_IOMUX_SEL_L[11:8] = 4'h8

Module Pin	Direction	Pin Name	IOMUX Setting
spi_csn1	O	MIPI_CAMERA0_CLK_M0/SPDIF1_TX_M1/I2S1_SDO0_M0/PCIE30X1_0_BUTTON_RSTN/SATA2_ACT_LED_M0/I2C6_SCL_M3/UART8_RX_M0/SPI0_CS1_M1/GPIO4_B1_u	BUS_IOC_GPIO4B_IOMUX_SEL_L[7:4] = 4'h8
<b>IOMUX2</b>			
spi_sclk	I/O	PDM1_CLK1_M1/PCIE30X1_0_WAKEN_M2/SATA0_ACT_LED_M1/UART4_TX_M2/SPI0_CLK_M2/GPIO1_B3_d	BUS_IOC_GPIO1B_IOMUX_SEL_L[15:12] = 4'h8
spi_mosi	I	PDM1_SDI3_M1/PCIE30X4_PERSTN_M3/UART4_RX_M2/SPI0_MOSI_M2/GPIO1_B2_d	BUS_IOC_GPIO1B_IOMUX_SEL_L[11:8] = 4'h8
spi_miso	O	PDM1_SDI2_M1/PCIE30X4_WAKEN_M3/SPI0_MISO_M2/GPIO1_B1_d	BUS_IOC_GPIO1B_IOMUX_SEL_L[7:4] = 4'h8
spi_csn0	I/O	PDM1_CLK0_M1/PCIE30X1_0_PERSTN_M2/UART7_RX_M2/SPI0_CS0_M2/GPIO1_B4_u	BUS_IOC_GPIO1B_IOMUX_SEL_H[3:0] = 4'h8
spi_csn1	O	PCIE30X1_0_CLKREQN_M2/UART7_TX_M2/SPI0_CS1_M2/GPIO1_B5_u	BUS_IOC_GPIO1B_IOMUX_SEL_H[7:4] = 4'h8
<b>IOMUX3</b>			
spi_sclk	I/O	CIF_D15/PCIE30X2_WAKEN_M2/HDMI_RX_SDA_M1/I2C7_SDA_M2/UART9_CTSN_M2/PWM10_M2/SPI0_CLK_M3/GPIO3_D3_d	BUS_IOC_GPIO3D_IOMUX_SEL_L[15:12] = 4'h8
spi_mosi	I	CIF_D14/PCIE30X2_CLKREQN_M2/HDMI_RX_SCL_M1/I2C7_SCL_M2/UART9_RTSN_M2/SPI0_MOSI_M3/GPIO3_D2_d	BUS_IOC_GPIO3D_IOMUX_SEL_L[11:8] = 4'h8
spi_miso	O	CIF_D13/PCIE20X1_2_PERSTN_M0/HDMI_RX_CEC_M1/UART4_TX_M1/PWM9_M2/SPI0_MISO_M3/GPIO3_D1_d	BUS_IOC_GPIO3D_IOMUX_SEL_L[7:4] = 4'h8
spi_csn0	I/O	HDMI_TX0_HPD_M1/PCIE30X2_PERSTN_M2/HDMI_RX_HPDOUT_M1/MCU_JTAG_TCK_M1/UART9_RX_M2/SPI0_CS0_M3/GPIO3_D4_d	BUS_IOC_GPIO3D_IOMUX_SEL_H[3:0] = 4'h8
spi_csn1	O	PCIE30X4_BUTTON_RSTN/DP1_HPDI_N_M0/MCU_JTAG_TMS_M1/UART9_TX_M2/PWM11_IR_M3/SPI0_CS1_M3/GPIO3_D5_d	BUS_IOC_GPIO3D_IOMUX_SEL_H[7:4] = 4'h8

Notes: I=input, O=output, I/O=input/output, bidirectional.

Table 31-2 SPI1 interface description

Module Pin	Direction	Pin Name	IOMUX Setting
<b>IOMUX0</b>			
spi_sclk	I/O	GMAC0_TXEN/I2S2_LRCK_M0/I2C2_SDA_M1/UART1_RTSN_M0/SPI1_CLK_M0/GPIO2_C0_d	BUS_IOC_GPIO2C_IOMUX_SEL_L[3:0] = 4'h8
spi_mosi	I	GMAC0_RXD1/I2C6_SDA_M2/UART9_TX_M0/SPI1_MOSI_M0/GPIO2_C2_d	BUS_IOC_GPIO2C_IOMUX_SEL_L[11:8] = 4'h8
spi_miso	O	GMAC0_RXD0/I2C2_SCL_M1/UART1_CTSN_M0/SPI1_MISO_M0/GPIO2	BUS_IOC_GPIO2C_IOMUX_SEL_L[7:4] = 4'h8

Module Pin	Direction	Pin Name	IOMUX Setting
		C1_d	
spi_csn0	I/O	ETH0_REFCLKO_25M/I2S2_SDI_M0/I2C6_SCL_M2/SPI1_CS0_M0/GPIO2_C3_d	BUS_IOC_GPIO2C_IOMU X_SEL_L[15:12] = 4'h8
spi_csn1	O	GMAC0_PPSCCLK/TEST_CLKOUT_M1/HDMI_TX1_CEC_M0/UART9_RX_M0/SPI1_CS1_M0/GPIO2_C4_d	BUS_IOC_GPIO2C_IOMU X_SEL_H[3:0] = 4'h8
<b>IOMUX1</b>			
spi_sclk	I/O	GMAC1_PPSCCLK/PCIE30X2_BUTTON_RSTN/UART7_RX_M1/SPI1_CLK_M1/GPIO3_C1_d	BUS_IOC_GPIO3C_IOMU X_SEL_L[7:4] = 4'h8
spi_mosi	I	GMAC1_PTP_REF_CLK/HDMI_TX1_HPD_M1/I2C3_SCL_M1/SPI1_MOSI_M1/GPIO3_B7_d	BUS_IOC_GPIO3B_IOMU X_SEL_H[15:12] = 4'h8
spi_miso	O	GMAC1_PPSTRIG/I2C3_SDA_M1/UART7_TX_M1/SPI1_MISO_M1/GPIO3_C0_d	BUS_IOC_GPIO3C_IOMU X_SEL_L[3:0] = 4'h8
spi_csn0	I/O	GMAC1_MDC/MIPI_TE0/I2C8_SCL_M4/UART7_RTSN_M1/PWM14_M0/SPI1_CS0_M1/GPIO3_C2_d	BUS_IOC_GPIO3C_IOMU X_SEL_L[11:8] = 4'h8
spi_csn1	O	GMAC1_MDIO/MIPI_TE1/I2C8_SDA_M4/UART7_CTSN_M1/PWM15_IR_M0/SPI1_CS1_M1/GPIO3_C3_d	BUS_IOC_GPIO3C_IOMU X_SEL_L[15:12] = 4'h8
<b>IOMUX2</b>			
spi_sclk	I/O	I2S0_SDO3/I2S0_SDI2/PDM0_SDI2_M0/I2C1_SCL_M4/UART4_TX_M0/PWM0_M1/SPI1_CLK_M2/GPIO1_D2_d	BUS_IOC_GPIO1D_IOMU X_SEL_L[11:8] = 4'h8
spi_mosi	I	I2S0_SDO2/I2S0_SDI3/PDM0_SDI1_M0/I2C7_SDA_M0/UART6_RX_M2/SPI1_MOSI_M2/GPIO1_D1_d	BUS_IOC_GPIO1D_IOMU X_SEL_L[7:4] = 4'h8
spi_miso	O	I2S0_SDO1/I2C7_SCL_M0/UART6_TX_M2/SPI1_MISO_M2/GPIO1_D0_d	BUS_IOC_GPIO1D_IOMU X_SEL_L[3:0] = 4'h8
spi_csn0	I/O	I2S0_SDI1/PDM0_SDI3_M0/I2C1_SDA_M4/UART4_RX_M0/PWM1_M1/SPI1_CS0_M2/GPIO1_D3_d	BUS_IOC_GPIO1D_IOMU X_SEL_L[15:12] = 4'h8
spi_csn1	O	PDM0_SDI0_M0/SPI1_CS1_M2/GPIO1_D5_d	BUS_IOC_GPIO1D_IOMU X_SEL_H[7:4] = 4'h8

Table 31-3 SPI2 interface description

Module Pin	Directon	Pin Name	IOMUX Setting
<b>IOMUX0</b>			
spi_sclk	I/O	HDMI_TX1_HPD_M0/SPI2_CLK_M0/GPIO1_A6_d	BUS_IOC_GPIO1A_IOMU X_SEL_H[11:8] = 4'h8
spi_mosi	I	HDMI_TX0_HPD_M0/SPI2_MOSI_M0/GPIO1_A5_d	BUS_IOC_GPIO1A_IOMU X_SEL_H[7:4] = 4'h8
spi_miso	O	HDMI_TX1_SCL_M2/SPI2_MISO_M0/GPIO1_A4_d	BUS_IOC_GPIO1A_IOMU X_SEL_H[3:0] = 4'h8
spi_csn0	I/O	PDM1_SDI0_M1/PCIE30X1_1_PERST_N_M2/PWM3_IR_M3/SPI2_CS0_M0/GPIO1_A7_u	BUS_IOC_GPIO1A_IOMU X_SEL_H[15:12] = 4'h8
spi_csn1	O	PDM1_SDI1_M1/PCIE30X4_CLKREQ_N_M3/SPI2_CS1_M0/GPIO1_B0_u	BUS_IOC_GPIO1B_IOMU X_SEL_L[3:0] = 4'h8
<b>IOMUX1</b>			

Module Pin	Directon	Pin Name	IOMUX Setting
spi_sclk	I/O	CIF_D6/BT1120_D6/I2S1_SDI1_M0/PCIE30X2_CLKREQN_M1/I2C5_SCL_M2/UART3_RX_M2/SPI2_CLK_M1/GPIO4_A6_d	BUS_IOC_GPIO4A_IOMUX_SEL_H[11:8] = 4'h8
spi_mosi	I	CIF_D5/BT1120_D5/I2S1_SDI0_M0/PCIE30X1_0_PERSTN_M1/I2C3_SDA_M2/UART3_TX_M2/SPI2_MOSI_M1/GPIO4_A5_d	BUS_IOC_GPIO4A_IOMUX_SEL_H[7:4] = 4'h8
spi_miso	O	CIF_D4/BT1120_D4/PCIE30X1_0_WAKEN_M1/I2C3_SCL_M2/UART0_RX_M2/SPI2_MISO_M1/GPIO4_A4_d	BUS_IOC_GPIO4A_IOMUX_SEL_H[3:0] = 4'h8
spi_csn0	I/O	CIF_D7/BT1120_D7/I2S1_SDI2_M0/PCIE30X2_WAKEN_M1/I2C5_SDA_M2/SPI2_CS0_M1/GPIO4_A7_d	BUS_IOC_GPIO4A_IOMUX_SEL_H[15:12] = 4'h8
spi_csn1	O	CIF_CLKIN/BT1120_CLKOUT/I2S1_SDI3_M0/PCIE30X2_PERSTN_M1/I2C6_SDA_M3/UART8_TX_M0/SPI2_CS1_M1/GPIO4_B0_d	BUS_IOC_GPIO4B_IOMUX_SEL_L[3:0] = 4'h8
<b>IOMUX2</b>			
spi_sclk	I/O	SPI2_CLK_M2/SDMMC_PWREN/PMU_DEBUG/GPIO0_A5_d	PMU0_IOC_GPIO0A_IOMUX_SEL_H[7:4] = 4'h1
spi_mosi	I	SPI2_MOSI_M2/I2C0_SDA_M0/GPIO0_A6_z	PMU0_IOC_GPIO0A_IOMUX_SEL_H[11:8] = 4'h1
spi_miso	O	SPI2_MISO_M2/I2C0_SCL_M0/GPIO0_B3_z	PMU0_IOC_GPIO0B_IOMUX_SEL_L[15:12] = 4'h1
spi_csn0	I/O	SPI2_CS0_M2/I2C1_SDA_M1/PWM5_M0/UART0_TX_M1/GPIO0_B1_z	PMU0_IOC_GPIO0B_IOMUX_SEL_L[7:4] = 4'h1
spi_csn1	O	SPI2_CS1_M2/I2C1_SCL_M1/UART0_RX_M1/GPIO0_B0_z	PMU0_IOC_GPIO0B_IOMUX_SEL_L[3:0] = 4'h1

Table 31-4 SPI3 interface description

Module Pin	Direction	Pin Name	IOMUX Setting
<b>IOMUX0</b>			
spi_sclk	I/O	GMAC0_TXER/I2C0_SDA_M1/UART7_CTSN_M0/PWM7_IR_M3/SPI3_CLK_M0/GPIO4_C6_d	BUS_IOC_GPIO4C_IOMUX_SEL_H[11:8] = 4'h8
spi_mosi	I	GMAC0_MDIO/I2C0_SCL_M1/UART9_CTSN_M0/PWM6_M2/SPI3_MOSI_M0/GPIO4_C5_d	BUS_IOC_GPIO4C_IOMUX_SEL_H[7:4] = 4'h8
spi_miso	O	GMAC0_MDC/I2C7_SDA_M1/UART9_RTSN_M0/PWM5_M2/SPI3_MISO_M0/GPIO4_C4_d	BUS_IOC_GPIO4C_IOMUX_SEL_H[3:0] = 4'h8
spi_csn0	I/O	GMAC0_RXDV_CRS/UART7_RTSN_M0/PWM2_M2/SPI3_CS0_M0/GPIO4_C2_d	BUS_IOC_GPIO4C_IOMUX_SEL_L[11:8] = 4'h8
spi_csn1	O	GMAC0_MCLKINOUT/I2S2_SDO_M0/I2C7_SCL_M1/PWM4_M1/SPI3_CS1_M0/GPIO4_C3_d	BUS_IOC_GPIO4C_IOMUX_SEL_L[15:12] = 4'h8
<b>IOMUX1</b>			
spi_sclk	I/O	BT1120_D13/PCIE20X1_2_CLKREQN_M1/HDMI_TX0_SCL_M0/I2C5_SDA_M1/SPI3_CLK_M1/GPIO4_B7_u	BUS_IOC_GPIO4B_IOMUX_SEL_H[15:12] = 4'h8
spi_mosi	I	BT1120_D12/PCIE30X4_PERSTN_M1/HDMI_RX_HPDOUT_M0/SATA0_ACT_LED_M0/I2C5_SCL_M1/PWM13_M1/SPI3_MOSI_M1/GPIO4_B6_d	BUS_IOC_GPIO4B_IOMUX_SEL_H[11:8] = 4'h8

Module Pin	Direction	Pin Name	IOMUX Setting
spi_miso	O	BT1120_D11/PCIE30X4_WAKEN_M1/HDMI_RX_CEC_M0/SATA1_ACT_LED_M0/UART9_RX_M1/PWM12_M1/SPI3_MISO_M1/GPIO4_B5_d	BUS_IOC_GPIO4B_IOMUX_SEL_H[7:4] = 4'h8
spi_csn0	I/O	BT1120_D14/PCIE20X1_2_WAKEN_M1/HDMI_TX0_SDA_M0/I2C8_SCL_M3/SPI3_CS0_M1/GPIO4_C0_u	BUS_IOC_GPIO4C_IOMUX_SEL_L[3:0] = 4'h8
spi_csn1	O	BT1120_D15/SPDIF1_TX_M2/PCIE20X1_2_PERSTN_M1/HDMI_TX0_CEC_M0/I2C8_SDA_M3/PWM6_M1/SPI3_CS1_M1/GPIO4_C1_d	BUS_IOC_GPIO4C_IOMUX_SEL_L[7:4] = 4'h8
<b>IOMUX2</b>			
spi_sclk	I/O	LITCPU_AVS/SPI3_CLK_M2/GPIO0_D3_u	BUS_IOC_GPIO0D_IOMUX_SEL_L[15:12] = 4'h8 PMU2_IOC_GPIO0D_IOMUX_SEL_L[15:12] = 4'h8
spi_mosi	I	I2S1_SDO1_M1/I2C0_SDA_M2/UART1_RX_M2/HDMI_RX_SCL_M0/SPI3_MOSI_M2/PCIE30X2_WAKEN_M0/HDMI_TX1_CEC_M1/GPIO0_D2_u	BUS_IOC_GPIO0D_IOMUX_SEL_L[11:8] = 4'h8 PMU2_IOC_GPIO0D_IOMUX_SEL_L[11:8] = 4'h8
spi_miso	O	I2S1_SDI3_M1/PDM0_SDI1_M1/I2C6_SCL_M0/UART1_CTSN_M2/PWM7_IR_M0/SPI3_MISO_M2/PCIE30X4_PERSTN_M0/GPIO0_D0_d	BUS_IOC_GPIO0D_IOMUX_SEL_L[3:0] = 4'h8
spi_csn0	I/O	I2S1_SDO2_M1/PDM0_SDI2_M1/PWM3_IR_M0/I2C1_SCL_M2/CAN2_RX_M1/HDMI_TX0_SDA_M1/SPI3_CS0_M2/PCIE30X2_PERSTN_M0/SATA_CPDET/GPIO0_D4_u	BUS_IOC_GPIO0D_IOMUX_SEL_H[3:0] = 4'h8 PMU2_IOC_GPIO0D_IOMUX_SEL_H[3:0] = 4'h8
spi_csn1	O	I2S1_SDO3_M1/CPU_BIG1_AVS/I2C1_SDA_M2/CAN2_TX_M1/HDMI_TX0_SCL_M1/SPI3_CS1_M2/SATA_MP_SWITCH/GPIO0_D5_u	BUS_IOC_GPIO0D_IOMUX_SEL_H[7:4] = 4'h8 PMU2_IOC_GPIO0D_IOMUX_SEL_H[7:4] = 4'h8
<b>IOMUX3</b>			
spi_sclk	I/O	CIF_D12/PCIE20X1_2_WAKEN_M0/HDMI_TX0_SDA_M2/I2C5_SDA_M0/UART4_RX_M1/PWM8_M2/SPI3_CLK_M3/GPIO3_D0_u	BUS_IOC_GPIO3D_IOMUX_SEL_L[3:0] = 4'h8
spi_mosi	I	CIF_D11/PCIE20X1_2_CLKREQN_M0/HDMI_TX0_SCL_M2/I2C5_SCL_M0/SPI3_MOSI_M3/GPIO3_C7_u	BUS_IOC_GPIO3C_IOMUX_SEL_H[15:12] = 4'h8
spi_miso	O	CIF_D10/PCIE30X4_PERSTN_M2/HDMI_TX1_SCL_M1/SPI3_MISO_M3/GPIO3_C6_u	BUS_IOC_GPIO3C_IOMUX_SEL_H[11:8] = 4'h8
spi_csn0	I/O	CIF_D8/FSPI_CS0N_M2/PCIE30X4_CLKREQN_M2/HDMI_TX1_CEC_M2/CAN2_RX_M0/UART5_TX_M1/SPI3_CS0_M3/GPIO3_C4_u	BUS_IOC_GPIO3C_IOMUX_SEL_H[3:0] = 4'h8
spi_csn1	O	CIF_D9/FSPI_CS1N_M2/PCIE30X4_WAKEN_M2/HDMI_TX1_SDA_M1/CAN2_TX_M0/UART5_RX_M1/SPI3_CS1_M3/GPIO3_C5_u	BUS_IOC_GPIO3C_IOMUX_SEL_H[7:4] = 4'h8

Table 31-5 SPI4 interface description

Module Pin	Dir	Pin Name	IOMUX Setting
<b>IOMUX0</b>			

Module Pin	Dir	Pin Name	IOMUX Setting
spi_sclk	I/O	I2S0_MCLK/I2C6_SDA_M1/UART3_RTSN/PWM3_IR_M2/SPI4_CLK_M0/GPIO1_C2_d	BUS_IOC_GPIO1C_IOMUX_SEL_L[11:8] = 4'h8
spi_mosi	I	I2C3_SCL_M0/UART3_TX_M0/SPI4_MOSI_M0/GPIO1_C1_z	BUS_IOC_GPIO1C_IOMUX_SEL_L[7:4] = 4'h8
spi_miso	O	I2C3_SDA_M0/UART3_RX_M0/SPI4_MISO_M0/GPIO1_C0_z	BUS_IOC_GPIO1C_IOMUX_SEL_L[3:0] = 4'h8
spi_csn0	I/O	I2S0_SCLK/I2C6_SCL_M1/UART3_CTSN/PWM7_IR_M2/SPI4_CS0_M0/GPIO1_C3_d	BUS_IOC_GPIO1C_IOMUX_SEL_L[15:12] = 4'h8
spi_csn1	O	PDM0_CLK1_M0/PCIE30PHY_DTB0/I2C2_SDA_M3/PWM11_IR_M2/SPI4_CS1_M0/GPIO1_C4_d	BUS_IOC_GPIO1C_IOMUX_SEL_H[3:0] = 4'h8
<b>IOMUX1</b>			
spi_sclk	I/O	GMAC1_RXD2/SDIO_D2_M1/I2S3_LRCK/AUDDSM_LP/FSPI_D2_M2/UART8_TX_M1/SPI4_CLK_M1/GPIO3_A2_u	BUS_IOC_GPIO3A_IOMUX_SEL_L[11:8] = 4'h8
spi_mosi	I	GMAC1_TXD3/SDIO_D1_M1/I2S3_SCLK/AUDDSM_LN/FSPI_D1_M2/I2C6_SCL_M4/PWM11_IR_M0/SPI4_MOSI_M1/GPIO3_A1_u	BUS_IOC_GPIO3A_IOMUX_SEL_L[7:4] = 4'h8
spi_miso	O	GMAC1_TXD2/SDIO_D0_M1/I2S3_MCLK/FSPI_D0_M2/I2C6_SDA_M4/PWM10_M0/SPI4_MISO_M1/GPIO3_A0_u	BUS_IOC_GPIO3A_IOMUX_SEL_L[3:0] = 4'h8
spi_csn0	I/O	GMAC1_RXD3/SDIO_D3_M1/I2S3_SDO/AUDDSM_RN/FSPI_D3_M2/UART8_RX_M1/SPI4_CS0_M1/GPIO3_A3_u	BUS_IOC_GPIO3A_IOMUX_SEL_L[15:12] = 4'h8
spi_csn1	O	GMAC1_TXCLK/SDIO_CMD_M1/I2S3_SDI/AUDDSM_RP/UART8_RTSN_M1/SPI4_CS1_M1/GPIO3_A4_d	BUS_IOC_GPIO3A_IOMUX_SEL_H[3:0] = 4'h8
<b>IOMUX2</b>			
spi_sclk	I/O	VOP_POST_EMPTY/I2C4_SDA_M3/UART6_RTSN_M1/PWM0_M2/SPI4_CLK_M2/GPIO1_A2_d	BUS_IOC_GPIO1A_IOMUX_SEL_L[11:8] = 4'h8
spi_mosi	I	PCIE30X1_1_WAKEN_M2/DP1_HPDIN_M2/SATA1_ACT_LED_M1/I2C2_SCL_M4/UART6_TX_M1/SPI4_MOSI_M2/GPIO1_A1_d	BUS_IOC_GPIO1A_IOMUX_SEL_L[7:4] = 4'h8
spi_miso	O	PCIE30X1_1_CLKREQN_M2/DP0_HPDIN_M2/HDMI_RX_DEBUG6/I2C2_SDA_M4/UART6_RX_M1/SPI4_MISO_M2/GPIO1_A0_d	BUS_IOC_GPIO1A_IOMUX_SEL_L[3:0] = 4'h8
spi_csn0	I/O	HDMI_TX1_SDA_M2/I2C4_SCL_M3/UART6_CTSN_M1/PWM1_M2/SPI4_CS0_M2/GPIO1_A3_d	BUS_IOC_GPIO1A_IOMUX_SEL_L[15:12] = 4'h8

## 31.6 Application Notes

### Clock Ratios

A summary of the frequency ratio restrictions between the bit-rate clock (sclk\_out/sclk\_in) and the SPI peripheral clock (spi\_clk) are described as:

When SPI Controller works as master, the  $F_{spi\_clk} \geq 2 \times (\text{maximum } F_{sclk\_out})$

When SPI Controller works as slave, the  $F_{spi\_clk} \geq 4 \times (\text{maximum } F_{sclk\_in})$

**Master Transfer Flow**

When configured as a serial-master device, the SPI initiates and controls all serial transfers. The serial bit-rate clock, generated and controlled by the SPI, is driven out on the sclk\_out line. When the SPI is disabled (SPI\_ENR = 0), no serial transfers can occur and sclk\_out is held in "inactive" state, as defined by the serial protocol under which it operates.

**Slave Transfer Flow**

When the SPI is configured as a slave device, all serial transfers are initiated and controlled by the serial bus master.

When the SPI serial slave is selected during configuration, it enables its txd data onto the serial bus. All data transfers to and from the serial slave are regulated on the serial clock line (sclk\_in), driven from the serial-master device. Data are propagated from the serial slave on one edge of the serial clock line and sampled on the opposite edge.

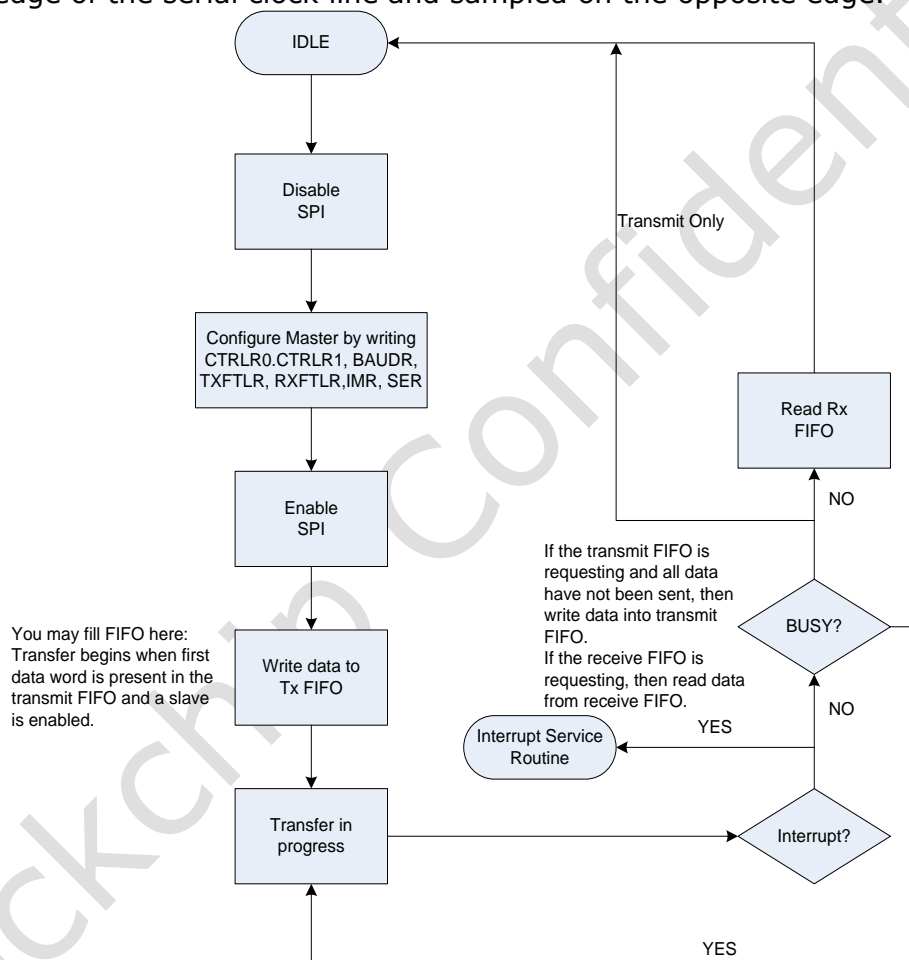


Fig. 31-7 SPI Master transfer flow diagram



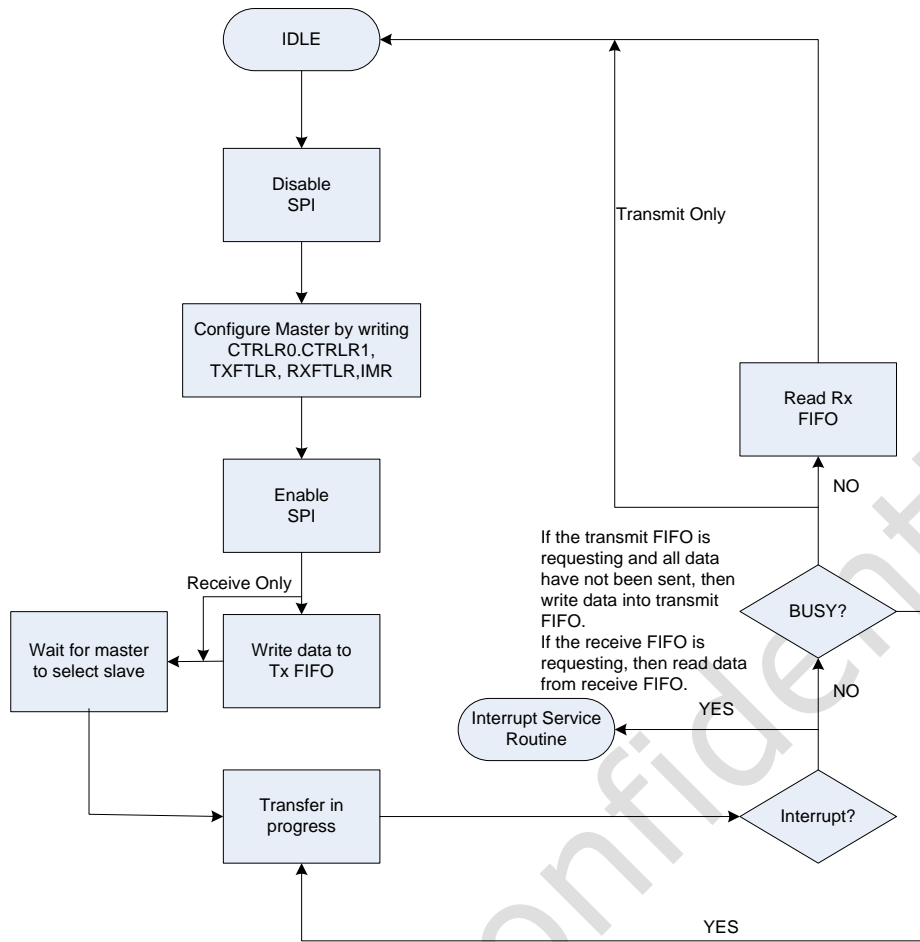


Fig. 31-8 SPI Slave transfer flow diagram

## Chapter 32 SPINLOCK

### 32.1 Overview

The hardware spinlock used for spinlock status storage. All the CPU can access spinlock to get the lock status.

### 32.2 Block Diagram

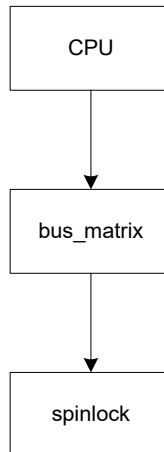


Fig. 32-1 Spinlock in System

### 32.3 Register Description

#### 32.3.1 Internal Address Mapping

Slave address can be divided into different length for different usage, which is shown as follows.

#### 32.3.2 Registers Summary

Name	Offset	Size	Reset Value	Description
<u>SPINLOCK_STATUS_N</u> (range of n is 0~63)	0x0+4*n	W	0x00000000	spinlock status controller register_n

Notes: ***S***- Byte (8 bits) access, ***H***- Half WORD (16 bits) access, ***W***-WORD (32 bits) access

#### 32.3.3 Detail Register Description

##### SPINLOCK\_STATUS\_N

Address: Operational Base + offset (0x0000+4\*n)

Bit	Attr	Reset Value	Description
31:4	RO	0x000000	reserved
3:0	RW	0x0	spinlock_status when 4bits is 0, 4bits can be written with new value. when 4bits is not 0, 4bits cannot be written. when write data is 0x0000, 4bits clean to 0.

## Chapter 33 KEYLAD

### 33.1 Overview

KEYLAD is used to securely protect the transmission and operation of the KEY and ensure that other masters cannot access the KEY.

The KEYLAD supports following features:

- Support Link List Item (LLI) DMA transfer
- Support AES-128, AES-192, AES-256 encrypt & decrypt cipher
- Support DES & TDES cipher
- Support AES ECB/CBC/OFB/CFB mode
- Support SM4 ECB/CBC/OFB/CFB mode
- Support DES/TDES ECB/CBC/OFB/CFB mode
- Support for caching OTP or TRNG specific data and deriving it
- Support writing KEY Table data to some specific modules
- Support AES/SM4/DES/TDES lockstep error monitoring

### 33.2 Block Diagram

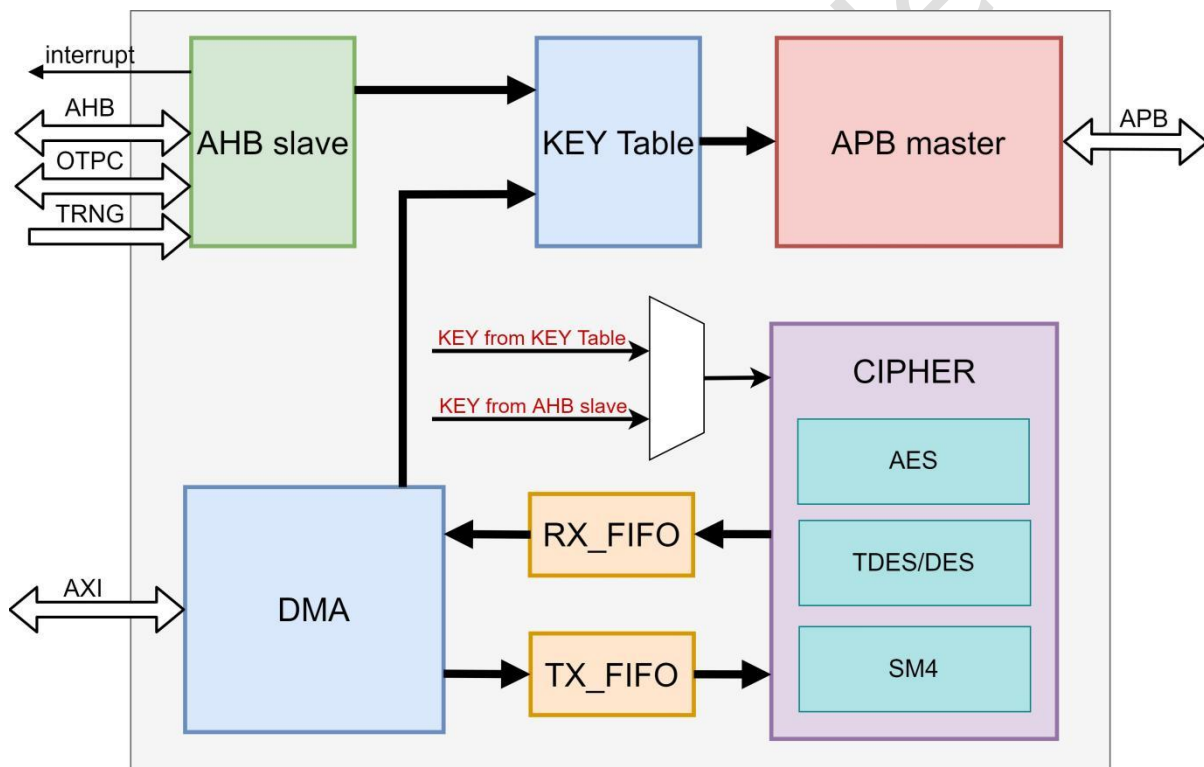


Fig. 33-1 KEYLAD Architecture

KEYLAD contains several modules: AHB\_Slave, DMA, CIPHER, Key\_table, APB\_master.

#### AHB\_Slave

AHB\_Slave is used to configure registers. This module is in HCLK domain.

#### DMA

DMA is used to transfer data from external memory to RX\_FIFO, or from TX\_FIFO to KEY Table. DMA uses 64-bits AXI3 protocol with max burst length to 16. LLI transfer is also supported for performance and convenience consideration. This module is in ACLK domain.

#### CIPHER

CIPHER contains AES, SM4, DES/TDES engines. And it also supports various mode operations. The source data is either from RX\_FIFO, or from other engine output. The result

data is sending to TX\_FIFO. This module is in CLK\_CORE domain.

**KEY\_Table**

The KEY table is used to store OTP KEY, TRNG data and CIPHER calculate result. KEY table’s content can’t be see by CPU. This module is in ACLK domain.

**APB\_master**

APB\_master is used to write data to module configurations that require secret configuration data. This APB\_master is write-only APB master. This module is in PCLK domain.

**33.3 Function Description**

**33.3.1 KEY Table**

The KEY Table consists of 32 registers. The 32 word registers are numbered 0~31 one by one.

- Copy data into KEY Table

KEYLAD can copy 8 words OTP KEY or TRNG data to the KEY Table at one time. To copy data to KEY Table, the following steps should be followed:

1. Clear KEYLAD\_SRC\_NUM\_DONE register;
2. Configure the KEYLAD\_SRC\_NUM\_SEL register to select data source;
3. Configure OTPC or TRNG\_S to generate data source for KEYLAD;
4. Waiting for KEYLAD\_SRC\_NUM\_DONE register to set;
5. Configure the KEYLAD\_OTP\_COPY register to copy the data to the specified location in the KEY Table;
6. Waiting for KEYLAD\_OTP\_COPY register to clear indicates that data is written to KEY Table

- Internal data copy

KEYLAD can also copy the key table data internally, 8 words at a time, by configuring the KEYLAD\_INTER\_COPY register.

- Copy the KEY Table data to a specific module

KEYLAD has a set of write only APB interfaces, which can write the data in the KEY Table to SCRYPTO, SCRYAMBLE\_KEY and HDCP\_KEY, one word at a time. To write the data in the KEY Table to a specific module, the following steps should be followed:

1. Configure the KEYLAD\_APB\_PADDR register to select the destination address;
2. Configure KEYLAD\_APB\_PWDATA register to select word data corresponding to KEY Table;
3. Configure KEYLAD\_APB\_CMD register to start data writing;
4. Wait for the KEYLAD\_APB\_CMD register to clear, indicating that the data has been written to the destination.

**33.3.2 KEY derivation**

KEYLAD can derive the KEY in the KEY Table. If you need to use the data in the KEY Table as the KEY of the operation, you need to configure register KEYLAD\_KEY\_SEL.

**33.4 Register Description**

**33.4.1 Internal Address Mapping**

Slave address can be divided into different length for different usage, which is shown as follows.

**33.4.2 Registers Summary**

Name	Offset	Size	Reset Value	Description
KEYLAD_CLK_CTL	0x0000	W	0x00000001	Clock Control Register
KEYLAD_RST_CTL	0x0004	W	0x00000000	Reset Control Register
KEYLAD_DMA_INT_EN	0x0008	W	0x00000000	DMA Interrupt Enable Register
KEYLAD_DMA_INT_ST	0x000C	W	0x00000000	DMA Interrupt Status Register

<b>Name</b>	<b>Offset</b>	<b>Size</b>	<b>Reset Value</b>	<b>Description</b>
<u>KEYLAD DMA CTL</u>	0x0010	W	0x00000000	DMA Control Register
<u>KEYLAD DMA LLI ADDR</u>	0x0014	W	0x00000000	DMA LIST Start Address Register
<u>KEYLAD DMA ST</u>	0x0018	W	0x00000000	DMA Status Register
<u>KEYLAD DMA STATE</u>	0x001C	W	0x00000000	DMA State Register
<u>KEYLAD DMA LLI RADDR</u>	0x0020	W	0x00000000	DMA LLI Read Address Register
<u>KEYLAD DMA SRC RADDR</u>	0x0024	W	0x00000000	DMA Source Data Read Address Register
<u>KEYLAD DMA DST WADDR</u>	0x0028	W	0x00000000	DMA Destination Data Read Address Register
<u>KEYLAD DMA ITEM ID</u>	0x002C	W	0x00000000	DMA Descriptor ID Register
<u>KEYLAD FIFO CTL</u>	0x0040	W	0x00000003	FIFO Control Register
<u>KEYLAD BC CTL</u>	0x0044	W	0x00000000	Block Cipher Control Register
<u>KEYLAD CIPHER ST</u>	0x004C	W	0x00000000	Cipher Status Register
<u>KEYLAD CIPHER STATE</u>	0x0050	W	0x00000400	Cipher Current State Register
<u>KEYLAD CH0 IV 0</u>	0x0100	W	0x00000000	iv 0
<u>KEYLAD CH0 IV 1</u>	0x0104	W	0x00000000	iv 1
<u>KEYLAD CH0 IV 2</u>	0x0108	W	0x00000000	iv 2
<u>KEYLAD CH0 IV 3</u>	0x010C	W	0x00000000	iv 3
<u>KEYLAD CH0 KEY 0</u>	0x0180	W	0x00000000	key 0
<u>KEYLAD CH0 KEY 1</u>	0x0184	W	0x00000000	key 1
<u>KEYLAD CH0 KEY 2</u>	0x0188	W	0x00000000	key 2
<u>KEYLAD CH0 KEY 3</u>	0x018C	W	0x00000000	key 3
<u>KEYLAD APB CMD</u>	0x0450	W	0x00000000	apb master command enable
<u>KEYLAD APB PADDR</u>	0x0454	W	0x00000000	apb paddr
<u>KEYLAD APB PWDATA</u>	0x0458	W	0x00000000	apb pwdata
<u>KEYLAD APB PWRITE</u>	0x045C	W	0x00000000	apb pwrite
<u>KEYLAD INTER COPY</u>	0x0608	W	0x00000000	key table internal copy
<u>KEYLAD OTP COPY</u>	0x060C	W	0x00000000	OTP key COPY
<u>KEYLAD KEY SEL</u>	0x0610	W	0x00000000	Operation key select
<u>KEYLAD LOCKSTEP FLAG</u>	0x0618	W	0x00000000	Lockstep mistake flag
<u>KEYLAD LOCKSTEP EN</u>	0x061C	W	0x00000000	Lockstep check enable
<u>KEYLAD SRC NUM SEL</u>	0x0620	W	0x00000000	Source key select
<u>KEYLAD SRC NUM DONE</u>	0x0624	W	0x00000000	Source key cache flag
<u>KEYLAD AES VERSION</u>	0x0680	W	0x00070033	AES version code is 0x0007_0033
<u>KEYLAD DES VERSION</u>	0x0684	W	0x00030033	DES version code is 0x0003_0033
<u>KEYLAD SM4 VERSION</u>	0x0688	W	0x00000033	SM4 version code is 0x0000_0033
<u>KEYLAD HASH VERSION</u>	0x068C	W	0x00000000	HASH version code is 0x0000_0000
<u>KEYLAD HMAC VERSION</u>	0x0690	W	0x00000000	HMAC version code is 0x0000_0000
<u>KEYLAD RNG VERSION</u>	0x0694	W	0x02000000	RNG version code is 0x0200_0000
<u>KEYLAD PKA VERSION</u>	0x0698	W	0x00000000	PKA version code is 0x0000_0000
<u>KEYLAD CRYPTO VERSION</u>	0x06F0	W	0x02000003	KEYLAD version code is 0x0200_0003

Notes: **Size: B**- Byte (8 bits) access, **HW**- Half WORD (16 bits) access, **W**-WORD (32 bits) access, **DW**- Double WORD (64 bits) access

### **33.4.3 Detail Registers Description**

#### **KEYLAD CLK CTL**

Address: Operational Base + offset (0x0000)

Bit	Attr	Reset Value	Description
31:17	RO	0x0000	reserved
16	WO	0x0	write_enable Write enable for lower 16bits, each bit is individual 1'b0: Write access disable 1'b1: Write access enable
15:1	RO	0x0000	reserved
0	RW	0x1	auto_clkgate_en KEYLAD will gate unused Block Cipher module automatically 1'b0: Disable 1'b1: Enable

**KEYLAD\_RST\_CTL**

Address: Operational Base + offset (0x0004)

Bit	Attr	Reset Value	Description
31:19	RO	0x0000	reserved
18:16	RW	0x0	write_enable Write enable for lower 16bits, each bit is individual 1'b0: Write access disable 1'b1: Write access enable
15:2	RO	0x0000	reserved
1	R/W SC	0x0	sw_rng_reset Software set this bit to start a reset to TRNG module. After the reset is done, KEYLAD will clear this bit.
0	R/W SC	0x0	sw_cc_reset Software set this bit to start a reset to Symmetric Cipher module. After the reset is done, KEYLAD will clear this bit.

**KEYLAD\_DMA\_INT\_EN**

Address: Operational Base + offset (0x0008)

Bit	Attr	Reset Value	Description
31:8	RO	0x000000	reserved
7	RW	0x0	lockstep_int_en 1'b0: Disable 1'b1: Enable
6	RW	0x0	zero_len_int_en 1'b0: Disable 1'b1: Enable
5	RW	0x0	list_err_int_en 1'b0: Disable 1'b1: Enable
4	RW	0x0	src_err_int_en 1'b0: Disable 1'b1: Enable
3	RW	0x0	dst_err_int_en 1'b0: Disable 1'b1: Enable
2	RW	0x0	src_item_done_int_en 1'b0: Disable 1'b1: Enable
1	RW	0x0	dst_item_done_int_en 1'b0: Disable 1'b1: Enable

Bit	Attr	Reset Value	Description
0	RW	0x0	list_done_int_en 1'b0: Disable 1'b1: Enable

**KEYLAD\_DMA\_INT\_ST**

Address: Operational Base + offset (0x000C)

Bit	Attr	Reset Value	Description
31:8	RO	0x000000	reserved
7	RW	0x0	lockstep_flag 1'b0: Nothing 1'b1: Indicate that KEYLAD was attacked
6	W1 C	0x0	zero_len 1'b0: Nothing 1'b1: Indicate that DMA has met an 0 byte source transfer length in list descriptors. After the bit is read, the application should write 1 to clear this bit for next time use
5	RW	0x0	list_err 1'b0: Nothing 1'b1: Indicate that DMA has met an error response when transfer list descriptors. The state machine will exit current transfer and then return to IDLE state. After the bit is read, the application should write 1 to clear this bit for next time use
4	W1 C	0x0	src_err 1'b0: Nothing 1'b1: Indicate that DMA has met an error response when transfer source data. The state machine will exit current transfer and then return to IDLE state. After the bit is read, the application should write 1 to clear this bit for next time use
3	W1 C	0x0	dst_err 1'b0: Nothing 1'b1: Indicate that DMA has met an error response when transfer destination data. The state machine will exit current transfer and then return to IDLE state. After the bit is read, the application should write 1 to clear this bit for next time use
2	W1 C	0x0	src_item_done 1'b0: Nothing 1'b1: Indicate that DMA has completed a read transfers which the current list descriptor pointed to. After the bit is read, the application should write 1 to clear this bit for next time use
1	W1 C	0x0	dst_item_done 1'b0: Nothing 1'b1: Indicate that DMA has completed a write transfers which the current list descriptor pointed to. After the bit is read, the application should write 1 to clear this bit for next time use
0	W1 C	0x0	list_done 1'b0: Nothing 1'b1: Indicate that DMA has completed all the transfers which the list descriptors pointed to. After the bit is read, the application should write 1 to clear this bit for next time use

**KEYLAD\_DMA\_CTL**

Address: Operational Base + offset (0x0010)

Bit	Attr	Reset Value	Description
31:18	RO	0x0000	reserved

Bit	Attr	Reset Value	Description
17:16	WO	0x0	write_enable Write enable for lower 16bits, each bit is individual 1'b0: Write access disable 1'b1: Write access enable
15:2	RO	0x0000	reserved
1	R/W SC	0x0	dma_restart If DMA data for next stage is not ready, application could pause DMA by descriptor commands. DMA will stop prefetching next descriptor. The application could restart DMA by asserting this bit when DMA data for next state is ready. KEYLAD will continue with previous transfer, and clear the bit automatically.
0	R/W SC	0x0	dma_start DMA asserts the bit to start DMA transfer, then KEYLAD will clear the bit automatically.

**KEYLAD DMA LLI ADDR**

Address: Operational Base + offset (0x0014)

Bit	Attr	Reset Value	Description
31:0	RW	0x00000000	dma_lli_addr When DMA_CTL start asserted, KEYLAD will read the address to get the 1'st descriptor. It should be 8-bytes align. We suggest dma_lli_addr 64-byte align for best performance consideration.

**KEYLAD DMA ST**

Address: Operational Base + offset (0x0018)

Bit	Attr	Reset Value	Description
31:1	RO	0x00000000	reserved
0	RO	0x0	dma_busy 1'b0: DMA idle 1'b1: DMA busy

**KEYLAD DMA STATE**

Address: Operational Base + offset (0x001C)

Bit	Attr	Reset Value	Description
31:6	RO	0x00000000	reserved
5:4	RO	0x0	dma_lli_state For debug use only 2'b00: IDLE STATE 2'b01: FETCH STATE 2'b10: WORK STATE Others: Reserved
3:2	RO	0x0	dma_src_state For debug use only 2'b00: IDLE STATE 2'b01: LOAD STATE 2'b10: WORK STATE Others: Reserved
1:0	RO	0x0	dma_dst_state For debug use only 2'b00: IDLE STATE 2'b01: LOAD STATE 2'b10: WORK STATE Others: Reserved

**KEYLAD DMA LLI RADDR**



**RKRK3588 TRM-Part1**

Address: Operational Base + offset (0x0020)

Bit	Attr	Reset Value	Description
31:0	RO	0x00000000	dma_llr_raddr For debug use only It indicates the current DMA LLI read address

**KEYLAD DMA SRC RADDR**

Address: Operational Base + offset (0x0024)

Bit	Attr	Reset Value	Description
31:0	RO	0x00000000	dma_src_raddr For debug use only It indicates the current DMA source read address

**KEYLAD DMA DST WADDR**

Address: Operational Base + offset (0x0028)

Bit	Attr	Reset Value	Description
31:0	RO	0x00000000	dma_dst_waddr For debug use only It indicates the current DMA destination write address

**KEYLAD DMA ITEM ID**

Address: Operational Base + offset (0x002C)

Bit	Attr	Reset Value	Description
31:8	RO	0x000000	reserved
7:0	RO	0x00	dma_item_id For debug use only It indicates the current descriptor ID

**KEYLAD FIFO CTL**

Address: Operational Base + offset (0x0040)

Bit	Attr	Reset Value	Description
31:18	RO	0x0000	reserved
17:16	WO	0x0	write_enable Write enable for lower 16bits, each bit is individual 1'b0: Write access disable 1'b1: Write access enable
15:2	RO	0x0000	reserved
1	RW	0x1	dout_byteswap 1'b0: Little endian 1'b1: Big endian
0	RW	0x1	din_byteswap 1'b0: Little endian 1'b1: Big endian

**KEYLAD BC CTL**

Address: Operational Base + offset (0x0044)

Bit	Attr	Reset Value	Description
31:26	RO	0x00	reserved
25:16	WO	0x000	write_enable Write enable for lower 16bits, each bit is individual 1'b0: Write access disable 1'b1: Write access enable
15:10	RO	0x00	reserved

Bit	Attr	Reset Value	Description
9:8	RW	0x0	bc_cipher_sel 2'b00: AES 2'b01: SM4 2'b10: DES 2'b11: TDES Others: Reserved
7:4	RW	0x0	mode For AES 4'h0: ECB 4'h1: CBC 4'h4: CFB 4'h5: OFB Others: Reserved For TDES/DES 4'h0: ECB 4'h1: CBC 4'h4: CFB 4'h5: OFB Others: Reserved
3:2	RW	0x0	key_size For AES 2'b00: 128 bit 2'b01: 192 bit 2'b10: 256 bit 2'b11: reserved For TDES/DES, it is reserved
1	RW	0x0	decrypt 1'b0: Encrypt 1'b1: Decrypt
0	RW	0x0	bc_enable 1'b0: Disable 1'b1: Enable

**KEYLAD CIPHER ST**

Address: Operational Base + offset (0x004C)

Bit	Attr	Reset Value	Description
31:3	RO	0x00000000	reserved
2	RO	0x0	otp_key_valid Indicate if otp_key is valid 1'b0: Invalid 1'b1: Valid
0	RO	0x0	block_cipher_busy 1'b0: Idle 1'b1: Busy

**KEYLAD CIPHER STATE**

Address: Operational Base + offset (0x0050)

Bit	Attr	Reset Value	Description
31:15	RO	0x000000	reserved
5:4	RO	0x0	parallel_state For debug use only 2'b00: IDLE State 2'b01: PRE State 2'b10: BULK State Others: Reserved

Bit	Attr	Reset Value	Description
1:0	RO	0x0	serial_state For debug use only 2'b00: IDLE State 2'b01: PRE State 2'b10: BULK State 2'b11: Reserved

**KEYLAD\_CH0\_IV\_0**

Address: Operational Base + offset (0x0100)

Bit	Attr	Reset Value	Description
31:0	RW	0x00000000	ch0_iv_0 Channel 0 IV[127:96]

**KEYLAD\_CH0\_IV\_1**

Address: Operational Base + offset (0x0104)

Bit	Attr	Reset Value	Description
31:0	RW	0x00000000	ch0_iv_1 Channel 0 IV[95:64]

**KEYLAD\_CH0\_IV\_2**

Address: Operational Base + offset (0x0108)

Bit	Attr	Reset Value	Description
31:0	RW	0x00000000	ch0_iv_2 Channel 0 IV[63:32]

**KEYLAD\_CH0\_IV\_3**

Address: Operational Base + offset (0x010C)

Bit	Attr	Reset Value	Description
31:0	RW	0x00000000	ch0_iv_3 Channel 0 IV[31:0]

**KEYLAD\_CH0\_KEY\_0**

Address: Operational Base + offset (0x0180)

Bit	Attr	Reset Value	Description
31:0	RW	0x00000000	ch0_key_0 Channel 0 Key[127:96]

**KEYLAD\_CH0\_KEY\_1**

Address: Operational Base + offset (0x0184)

Bit	Attr	Reset Value	Description
31:0	RW	0x00000000	ch0_key_1 Channel 0 Key[95:64]

**KEYLAD\_CH0\_KEY\_2**

Address: Operational Base + offset (0x0188)

Bit	Attr	Reset Value	Description
31:0	RW	0x00000000	ch0_key_2 Channel 0 Key[63:32]

**KEYLAD\_CH0\_KEY\_3**

Address: Operational Base + offset (0x018C)

Bit	Attr	Reset Value	Description
31:0	RW	0x00000000	ch0_key_3 Channel 0 Key[31:0]

**KEYLAD APB\_CMD**

Address: Operational Base + offset (0x0450)

Bit	Attr	Reset Value	Description
31:1	RO	0x00000000	reserved
0	RW	0x0	apb_cmd_en APB master command enable 1'b0: Disable 1'b1: Enable

**KEYLAD APB\_PADDR**

Address: Operational Base + offset (0x0454)

Bit	Attr	Reset Value	Description
31:0	RW	0x00000000	apb_paddr Where to write out

**KEYLAD APB\_PWDATA**

Address: Operational Base + offset (0x0458)

Bit	Attr	Reset Value	Description
31:0	RW	0x00000000	apb_pwdata Chose which 32 bits data in key table will be write out 0: Chose key_tab[31:0] 1: Chose key_tab[63:32] n: Chose key_tab[(n*32+31):(n*32)]

**KEYLAD APB\_PWRITE**

Address: Operational Base + offset (0x045C)

Bit	Attr	Reset Value	Description
31:1	RO	0x00000000	reserved
0	RW	0x0	apb_pwrite APB pwrite

**KEYLAD INTER\_COPY**

Address: Operational Base + offset (0x0608)

Bit	Attr	Reset Value	Description
31	RW	0x0	inter_copy_en internal key copy enable 1'b0: Disable 1'b1: Enable
30:29	RO	0x0	reserved
28:16	RW	0x0000	inter_copy_des_addr OTP key copy destination address (dword count).
15:13	RO	0x0	reserved
12:0	RW	0x0000	inter_copy_src_addr OTP key copy source address (dword count).

**KEYLAD OTP\_COPY**

Address: Operational Base + offset (0x060C)

Bit	Attr	Reset Value	Description
31:3	RO	0x00000000	reserved
2	RW	0x0	otp_key_copy_en OTP key copy enable 1'b0: Disable 1'b1: Enable

Bit	Attr	Reset Value	Description
1:0	RW	0x0	otp_key_copy_sel OTP key copy select 2'b00: select the first 256 bits of key table 2'b01: select the second 256 bits of key table 2'b10: select the third 256 bits of key table 2'b11: select the fourth 256 bits of key table

**KEYLAD KEY SEL**

Address: Operational Base + offset (0x0610)

Bit	Attr	Reset Value	Description
31	RW	0x0	kl_high_sel Swap high and low word pair keys per 64 bits. 1'b0: Nothing 1'b1: Swap
30:0	RW	0x00000000	kl_key_sel Select the operation key. 31'h5a5a5a5a: Select key table key Others: Select normal key

**KEYLAD LOCKSTEP FLAG**

Address: Operational Base + offset (0x0618)

Bit	Attr	Reset Value	Description
31:1	RO	0x00000000	reserved
0	RW	0x0	lockstep_flag lock step status 1'b0: No mistake 1'b1: Mistake happened

**KEYLAD LOCKSTEP EN**

Address: Operational Base + offset (0x061C)

Bit	Attr	Reset Value	Description
31:1	RO	0x00000000	reserved
0	RW	0x0	lockstep_en Enable lockstep check 1'b0: Disable 1'b1: Enable

**KEYLAD SRC NUM SEL**

Address: Operational Base + offset (0x0620)

Bit	Attr	Reset Value	Description
31:1	RO	0x00000000	reserved
0	RW	0x0	src_num_sel Select which key to write to the key table 1'b0: Select OTP value 1'b1: Select TRNG value

**KEYLAD SRC NUM DONE**

Address: Operational Base + offset (0x0624)

Bit	Attr	Reset Value	Description
31:1	RO	0x00000000	reserved
0	W1 C	0x0	src_num_done Indicates whether the key reaches the port 1'b0: Not reach the port 1'b1: Reach the port

**KEYLAD\_AES\_VERSION**

Address: Operational Base + offset (0x0680)

Bit	Attr	Reset Value	Description
31:19	RO	0x0000	reserved
18	RO	0x1	aes256_flag Whether the AES supports AES256 1'b0: No support 1'b1: Support
17	RO	0x1	aes192_flag Whether the AES supports AES192 1'b0: No support 1'b1: Support
16	RO	0x1	aes128_flag Whether the AES supports AES128 1'b0: No support 1'b1: Support
15:11	RO	0x00	reserved
10	RO	0x0	cbc-mac_flag Whether the AES supports CBC-MAC 1'b0: No support 1'b1: Support
9	RO	0x0	cmac_flag Whether the AES supports CMAC 1'b0: No support 1'b1: Support
8	RO	0x0	gcm_flag Whether the AES supports GCM 1'b0: No support 1'b1: Support
7	RO	0x0	ccm_flag Whether the AES supports CCM 1'b0: No support 1'b1: Support
6	RO	0x0	xts_flag Whether the AES supports XTS 1'b0: No support 1'b1: Support
5	RO	0x1	ofb_flag Whether the AES supports OFB 1'b0: No support 1'b1: Support
4	RO	0x1	cfb_flag Whether the AES supports CFB 1'b0: No support 1'b1: Support
3	RO	0x0	ctr_flag Whether the AES supports CTR 1'b0: No support 1'b1: Support
2	RO	0x0	cts_flag Whether the AES supports CTS 1'b0: No support 1'b1: Support

Bit	Attr	Reset Value	Description
1	RO	0x1	cbc_flag Whether the AES supports CBC 1'b0: No support 1'b1: Support
0	RO	0x1	ecb_flag Whether the AES supports ECB 1'b0: No support 1'b1: Support

**KEYLAD DES VERSION**

Address: Operational Base + offset (0x0684)

Bit	Attr	Reset Value	Description
31:18	RO	0x0000	reserved
17	RO	0x1	eee_flag Whether the DES supports EEE mode 1'b0: No support 1'b1: Support
16	RO	0x1	tdes_flag Whether the DES supports TDES 1'b0: No support 1'b1: Support
15:6	RO	0x000	reserved
5	RO	0x1	ofb_flag Whether the DES supports OFB 1'b0: No support 1'b1: Support
4	RO	0x1	cfb_flag Whether the DES supports CFB 1'b0: No support 1'b1: Support
3:2	RO	0x0	reserved
1	RO	0x1	cbc_flag Whether the DES supports CBC 1'b0: No support 1'b1: Support
0	RO	0x1	ecb_flag Whether the DES supports ECB 1'b0: No support 1'b1: Support

**KEYLAD SM4 VERSION**

Address: Operational Base + offset (0x0688)

Bit	Attr	Reset Value	Description
31:11	RO	0x000000	reserved
10	RO	0x0	cbc-mac_flag Whether the SM4 supports CBC-MAC 1'b0: No support 1'b1: Support
9	RO	0x0	cmac_flag Whether the SM4 supports CMAC 1'b0: No support 1'b1: Support

Bit	Attr	Reset Value	Description
8	RO	0x0	gcm_flag Whether the SM4 supports GCM 1'b0: No support 1'b1: Support
7	RO	0x0	ccm_flag Whether the SM4 supports CCM 1'b0: No support 1'b1: Support
6	RO	0x0	xts_flag Whether the SM4 supports XTS 1'b0: No support 1'b1: Support
5	RO	0x1	ofb_flag Whether the SM4 supports OFB 1'b0: No support 1'b1: Support
4	RO	0x1	cfb_flag Whether the SM4 supports CFB 1'b0: No support 1'b1: Support
3	RO	0x0	ctr_flag Whether the SM4 supports CTR 1'b0: No support 1'b1: Support
2	RO	0x0	cts_flag Whether the SM4 supports CTS 1'b0: No support 1'b1: Support
1	RO	0x1	cbc_flag Whether the SM4 supports CBC 1'b0: No support 1'b1: Support
0	RO	0x1	ecb_flag Whether the SM4 supports ECB 1'b0: No support 1'b1: Support

**KEYLAD HASH VERSION**

Address: Operational Base + offset (0x068C)

Bit	Attr	Reset Value	Description
31:9	RO	0x000000	reserved
8	RO	0x0	sm3_flag Whether the HASH supports SM3 1'b0: No support 1'b1: Support
7	RO	0x0	md5_flag Whether the HASH supports MD5 1'b0: No support 1'b1: Support
6	RO	0x0	sha512-256_flag Whether the HASH supports SHA-512/256 1'b0: No support 1'b1: Support



Bit	Attr	Reset Value	Description
5	RO	0x0	sha512-224_flag Whether the HASH supports SHA-512/224 1'b0: No support 1'b1: Support
4	RO	0x0	sha512_flag Whether the HASH supports SHA-512 1'b0: No support 1'b1: Support
3	RO	0x0	sha384_flag Whether the HASH supports SHA-384 1'b0: No support 1'b1: Support
2	RO	0x0	sha256_flag Whether the HASH supports SHA-256 1'b0: No support 1'b1: Support
1	RO	0x0	sha224_flag Whether the HASH supports SHA-224 1'b0: No support 1'b1: Support
0	RO	0x0	sha1_flag Whether the HASH supports SHA-1 1'b0: No support 1'b1: Support

**KEYLAD HMAC VERSION**

Address: Operational Base + offset (0x0690)

Bit	Attr	Reset Value	Description
31:5	RO	0x0000000	reserved
4	RO	0x0	sm3_flag Whether the HMAC supports SM3 1'b0: No support 1'b1: Support
3	RO	0x0	md5_flag Whether the HMAC supports MD5 1'b0: No support 1'b1: Support
2	RO	0x0	sha512_flag Whether the HMAC supports SHA-512 1'b0: No support 1'b1: Support
1	RO	0x0	sha256_flag Whether the HMAC supports SHA-256 1'b0: No support 1'b1: Support
0	RO	0x0	sha1_flag Whether the HMAC supports SHA-1 1'b0: No support 1'b1: Support

**KEYLAD RNG VERSION**

Address: Operational Base + offset (0x0694)

Bit	Attr	Reset Value	Description
31:0	RO	0x02000000	rng_version_code RNG version code is 0x0200_0000.

**KEYLAD PKA VERSION**

Address: Operational Base + offset (0x0698)

Bit	Attr	Reset Value	Description
31:0	RW	0x00000000	pka_version_code PKA version code is 0x0000_0000.

**KEYLAD CRYPTO VERSION**

Address: Operational Base + offset (0x06F0)

Bit	Attr	Reset Value	Description
31:0	RW	0x02000003	keylad_version_code KEYLAD version code is 0x0200_0003.

**33.5 Application Note**

- KEYLAD lockstep function refers to "Chapter CRYPTO".
- The cipher function configuration of KEYLAD refers to "Chapter CRYPTO".
- When performing KEY derivation, you need to configure the dout\_byteswap bit segment of KEYLAD\_FIFO\_CTL to '0'.
- When KEYLAD copies the data in KEY Table to SCRYPTO, the base address of SCRYPTO shall be regarded as 0xfe420000.

## Chapter 34 Share Memory

### 34.1 Overview

The Share Memory is a general memory module which can be accessed by several masters at the same time. And it can be programmed through the APB Slave interface.

The Share Memory supports the following features:

- Support four AXI Slave interfaces with 256 bits data bus width
- Support total 1024KB memory comprised of four memory blocks
- Support shut down and deep sleep mode for each memory block
- Support auto clock gating
- Support weighted Round-Robin arbiter
- Support APB Slave interface for software configuration and status query

### 34.2 Block Diagram

The following figure shows the block diagram of Share Memory.

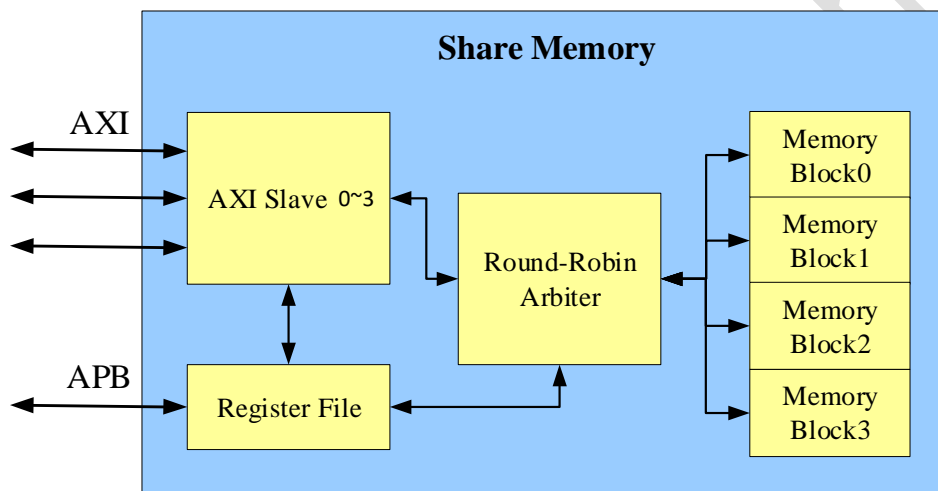


Fig. 34-1 Block Diagram of Share Memory

### 34.3 Function Description

#### 34.3.1 Memory Access

There are four memory blocks, and each 256KB block consists of four SRAM banks. That is, the valid address range of the Share Memory is 0xFF000000~0xFF0FFFFF, and the base address of the Memory Block0~3 is 0xFF000000/0xFF040000/0xFF080000/0xFF0C0000.

#### 34.3.2 Round-Robin Arbiter

In order to program the priority attribute for every AXI Slave interface, you should configure the following registers of the internal Round-Robin arbiter: SHAREMEM\_RRA\_SLT, SHAREMEM\_RRA\_WEIGHT, and SHAREMEM\_RRA\_SLT\_PRI, and then enable the configuration by writing 1 to SHAREMEM\_CTRL.cfg\_load\_en.

### 34.4 Register Description

This section describes the control/status registers of the design. Software should read and write these registers using 32-bits accesses.

Name	Offset	Size	Reset Value	Description
SHAREMEM_RRA_SLT	0x0000	W	0x76543210	RRA slot assignment register
SHAREMEM_RRA_WEIGHT	0x0008	W	0x00000000	RRA arbitration weight register
SHAREMEM_RRA_SLT_PRI	0x0010	W	0x00000000	RRA slot priority register
SHAREMEM_CTRL	0x0020	W	0x00000000	Global control register
SHAREMEM_STATUS	0x0024	W	0x00000000	Status register

Notes: Size: **B**- Byte (8 bits) access, **HW**- Half WORD (16 bits) access, **W**-WORD (32 bits) access

**34.4.1 Detail Register Description**

**SHAREMEM RRA SLT**

Address: Operational Base + offset (0x0000)

Bit	Attr	Reset Value	Description
31:28	RW	0x7	req_slot7 Initial assignment to slot 7. 4'h0: AXIS0 Read requester 4'h1: AXIS0 Write requester 4'h2: AXIS1 Read requester 4'h3: AXIS1 Write requester 4'h4: AXIS2 Read requester 4'h5: AXIS2 Write requester 4'h6: AXIS3 Read requester 4'h7: AXIS3 Write requester Others: Reserved
27:24	RW	0x6	req_slot6 Initial assignment to slot 6. 4'h0: AXIS0 Read requester 4'h1: AXIS0 Write requester 4'h2: AXIS1 Read requester 4'h3: AXIS1 Write requester 4'h4: AXIS2 Read requester 4'h5: AXIS2 Write requester 4'h6: AXIS3 Read requester 4'h7: AXIS3 Write requester Others: Reserved
23:20	RW	0x5	req_slot5 Initial assignment to slot 5. 4'h0: AXIS0 Read requester 4'h1: AXIS0 Write requester 4'h2: AXIS1 Read requester 4'h3: AXIS1 Write requester 4'h4: AXIS2 Read requester 4'h5: AXIS2 Write requester 4'h6: AXIS3 Read requester 4'h7: AXIS3 Write requester Others: Reserved
19:16	RW	0x4	req_slot4 Initial assignment to slot 4. 4'h0: AXIS0 Read requester 4'h1: AXIS0 Write requester 4'h2: AXIS1 Read requester 4'h3: AXIS1 Write requester 4'h4: AXIS2 Read requester 4'h5: AXIS2 Write requester 4'h6: AXIS3 Read requester 4'h7: AXIS3 Write requester Others: Reserved

Bit	Attr	Reset Value	Description
15:12	RW	0x3	req_slot3 Initial assignment to slot 3. 4'h0: AXIS0 Read requester 4'h1: AXIS0 Write requester 4'h2: AXIS1 Read requester 4'h3: AXIS1 Write requester 4'h4: AXIS2 Read requester 4'h5: AXIS2 Write requester 4'h6: AXIS3 Read requester 4'h7: AXIS3 Write requester Others: Reserved
11:8	RW	0x2	req_slot2 Initial assignment to slot 2. 4'h0: AXIS0 Read requester 4'h1: AXIS0 Write requester 4'h2: AXIS1 Read requester 4'h3: AXIS1 Write requester 4'h4: AXIS2 Read requester 4'h5: AXIS2 Write requester 4'h6: AXIS3 Read requester 4'h7: AXIS3 Write requester Others: Reserved
7:4	RW	0x1	req_slot1 Initial assignment to slot 1. 4'h0: AXIS0 Read requester 4'h1: AXIS0 Write requester 4'h2: AXIS1 Read requester 4'h3: AXIS1 Write requester 4'h4: AXIS2 Read requester 4'h5: AXIS2 Write requester 4'h6: AXIS3 Read requester 4'h7: AXIS3 Write requester Others: Reserved
3:0	RW	0x0	req_slot0 Initial assignment to slot 0. 4'h0: AXIS0 Read requester 4'h1: AXIS0 Write requester 4'h2: AXIS1 Read requester 4'h3: AXIS1 Write requester 4'h4: AXIS2 Read requester 4'h5: AXIS2 Write requester 4'h6: AXIS3 Read requester 4'h7: AXIS3 Write requester Others: Reserved

**SHAREMEM RRA WEIGHT**

Address: Operational Base + offset (0x0008)

Bit	Attr	Reset Value	Description
31	RO	0x0	reserved
30:28	RW	0x0	weight_axis3wr AXIS3 write port arbitration weight
27	RO	0x0	reserved
26:24	RW	0x0	weight_axis3rd AXIS3 read port arbitration weight
23	RO	0x0	reserved

Bit	Attr	Reset Value	Description
22:20	RW	0x0	weight_axis2wr AXIS2 write port arbitration weight
19	RO	0x0	reserved
18:16	RW	0x0	weight_axis2rd AXIS2 read port arbitration weight
15	RO	0x0	reserved
14:12	RW	0x0	weight_axis1wr AXIS1 write port arbitration weight
11	RO	0x0	reserved
10:8	RW	0x0	weight_axis1rd AXIS1 read port arbitration weight
7	RO	0x0	reserved
6:4	RW	0x0	weight_axis0wr AXIS0 write port arbitration weight
3	RO	0x0	reserved
2:0	RW	0x0	weight_axis0rd AXIS0 read port arbitration weight

**SHAREMEM RRA SLT PRI**

Address: Operational Base + offset (0x0010)

Bit	Attr	Reset Value	Description
31:12	RO	0x00000	reserved
11:8	RW	0x0	rra_firstslot_region3 The number of the lowest priority slot in the RRA priority region 3
7:4	RW	0x0	rra_firstslot_region2 The number of the lowest priority slot in the RRA priority region 2
3:0	RW	0x0	rra_firstslot_region1 The number of the lowest priority slot in the RRA priority region 1

**SHAREMEM\_CTRL**

Address: Operational Base + offset (0x0020)

Bit	Attr	Reset Value	Description
31:7	RO	0x0000000	reserved
6:2	RW	0x00	addr_round_en AXIS0~AXIS3 address round enable, high active. [0] for slave0, [1] for slave1 and so on.
1	RW	0x0	free_run_mode Free run mode enable. 1'b0: Low power mode 1'b1: Free run mode
0	R/W SC	0x0	cfg_load_en RRA configuration load enable, high active.

**SHAREMEM\_STATUS**

Address: Operational Base + offset (0x0024)

Bit	Attr	Reset Value	Description
31:28	RO	0x0	reserved
27:24	R/W SC	0x0	axislv_addr_round AXI slave0~slave3 address round status. [0] for slave0, [1] for slave1 and so on.
23:20	RO	0x0	reserved

Bit	Attr	Reset Value	Description
19:16	R/W SC	0x0	axislv_wresperr AXI slave write response error indication. [0] for slave0, [1] for slave1 and so on. 1'b1: Response error 1'b0: Response ok
15:12	RO	0x0	reserved
11:8	R/W SC	0x0	axislv_rresperr AXI slave read response error indication. [0] for slave0, [1] for slave1 and so on. 1'b1: Response error 1'b0: Response ok
7:4	RO	0x0	reserved
3:0	RO	0x0	axislv_active AXI slave status. [0] for slave0, [1] for slave1 and so on. 1'b1: Active 1'b0: Inactive

## 34.5 Application Notes

### 34.5.1 Power Control Flow

Share Memory supports shutdown and deep sleep mode for each memory block, which can be controlled by software.

#### 1. Enter Shut Down Mode Flow:

(1) Select shut down mode for specified memory block:

Set PMU\_SUBMEM\_PWR\_GATE\_SFTCON0 bit[0] to 1 for block 0

Set PMU\_SUBMEM\_PWR\_GATE\_SFTCON0 bit[1] to 1 for block 1

Set PMU\_SUBMEM\_PWR\_GATE\_SFTCON0 bit[2] to 1 for block 2

Set PMU\_SUBMEM\_PWR\_GATE\_SFTCON0 bit[3] to 1 for block 3

(2) Enable shut down mode for specified memory block:

Set PMU\_SUBMEM\_PWR\_GATE\_SFTCON0 bit[8] to 1 for block 0

Set PMU\_SUBMEM\_PWR\_GATE\_SFTCON0 bit[9] to 1 for block 1

Set PMU\_SUBMEM\_PWR\_GATE\_SFTCON0 bit[10] to 1 for block 2

Set PMU\_SUBMEM\_PWR\_GATE\_SFTCON0 bit[11] to 1 for block 3

(3) Check memory power state:

Query until PMU\_SUBMEM\_PWR\_GATE\_STS bit[0] equals to 1, to make sure block 0 enters shut down mode

Query until PMU\_SUBMEM\_PWR\_GATE\_STS bit[1] equals to 1, to make sure block 1 enters shut down mode

Query until PMU\_SUBMEM\_PWR\_GATE\_STS bit[2] equals to 1, to make sure block 2 enters shut down mode

Query until PMU\_SUBMEM\_PWR\_GATE\_STS bit[3] equals to 1, to make sure block 3 enters shut down mode

#### 2. Exit Shut Down Mode Flow:

(1) Disable shut down mode for specified memory block:

Set PMU\_SUBMEM\_PWR\_GATE\_SFTCON0 bit[8] to 0 for block 0

Set PMU\_SUBMEM\_PWR\_GATE\_SFTCON0 bit[9] to 0 for block 1

Set PMU\_SUBMEM\_PWR\_GATE\_SFTCON0 bit[10] to 0 for block 2

Set PMU\_SUBMEM\_PWR\_GATE\_SFTCON0 bit[11] to 0 for block 3

(2) Deselect shut down mode for specified memory block:

Set PMU\_SUBMEM\_PWR\_GATE\_SFTCON0 bit[0] to 0 for block 0

Set PMU\_SUBMEM\_PWR\_GATE\_SFTCON0 bit[1] to 0 for block 1

Set PMU\_SUBMEM\_PWR\_GATE\_SFTCON0 bit[2] to 0 for block 2

Set PMU\_SUBMEM\_PWR\_GATE\_SFTCON0 bit[3] to 0 for block 3

(3) Check memory power state:

Query until PMU\_SUBMEM\_PWR\_GATE\_STS bit[0] equals to 0, to make sure block 0 exits

shut down mode

Query until PMU\_SUBMEM\_PWR\_GATE\_STS bit[1] equals to 0, to make sure block 1 exits shut down mode

Query until PMU\_SUBMEM\_PWR\_GATE\_STS bit[2] equals to 0, to make sure block 2 exits shut down mode

Query until PMU\_SUBMEM\_PWR\_GATE\_STS bit[3] equals to 0, to make sure block 3 exits shut down mode

### **3. Enter Deep Sleep Mode Flow:**

(1) Select deep sleep mode for specified memory block:

Set PMU\_SUBMEM\_PWR\_GATE\_SFTCON0 bit[4] to 1 for block 0

Set PMU\_SUBMEM\_PWR\_GATE\_SFTCON0 bit[5] to 1 for block 1

Set PMU\_SUBMEM\_PWR\_GATE\_SFTCON0 bit[6] to 1 for block 2

Set PMU\_SUBMEM\_PWR\_GATE\_SFTCON0 bit[7] to 1 for block 3

(2) Enable deep sleep mode for specified memory block:

Set PMU\_SUBMEM\_PWR\_GATE\_SFTCON0 bit[12] to 1 for block 0

Set PMU\_SUBMEM\_PWR\_GATE\_SFTCON0 bit[13] to 1 for block 1

Set PMU\_SUBMEM\_PWR\_GATE\_SFTCON0 bit[14] to 1 for block 2

Set PMU\_SUBMEM\_PWR\_GATE\_SFTCON0 bit[15] to 1 for block 3

(3) Check memory power state:

Query until PMU\_SUBMEM\_PWR\_GATE\_STS bit[0] equals to 1, to make sure block 0 enters deep sleep mode

Query until PMU\_SUBMEM\_PWR\_GATE\_STS bit[1] equals to 1, to make sure block 1 enters deep sleep mode

Query until PMU\_SUBMEM\_PWR\_GATE\_STS bit[2] equals to 1, to make sure block 2 enters deep sleep mode

Query until PMU\_SUBMEM\_PWR\_GATE\_STS bit[3] equals to 1, to make sure block 3 enters deep sleep mode

### **4. Exit Deep Sleep Mode Flow:**

(1) Disable deep sleep mode for specified memory block:

Set PMU\_SUBMEM\_PWR\_GATE\_SFTCON0 bit[12] to 0 for block 0

Set PMU\_SUBMEM\_PWR\_GATE\_SFTCON0 bit[13] to 0 for block 1

Set PMU\_SUBMEM\_PWR\_GATE\_SFTCON0 bit[14] to 0 for block 2

Set PMU\_SUBMEM\_PWR\_GATE\_SFTCON0 bit[15] to 0 for block 3

(2) Deselect deep sleep mode for specified memory block:

Set PMU\_SUBMEM\_PWR\_GATE\_SFTCON0 bit[4] to 0 for block 0

Set PMU\_SUBMEM\_PWR\_GATE\_SFTCON0 bit[5] to 0 for block 1

Set PMU\_SUBMEM\_PWR\_GATE\_SFTCON0 bit[6] to 0 for block 2

Set PMU\_SUBMEM\_PWR\_GATE\_SFTCON0 bit[7] to 0 for block 3

(3) Check memory power state:

Query until PMU\_SUBMEM\_PWR\_GATE\_STS bit[0] equals to 0, to make sure block 0 exits deep sleep mode

Query until PMU\_SUBMEM\_PWR\_GATE\_STS bit[1] equals to 0, to make sure block 1 exits deep sleep mode

Query until PMU\_SUBMEM\_PWR\_GATE\_STS bit[2] equals to 0, to make sure block 2 exits deep sleep mode

Query until PMU\_SUBMEM\_PWR\_GATE\_STS bit[3] equals to 0, to make sure block 3 exits deep sleep mode

### **34.5.2 Other Notes**

- If SHAREMEM\_CTRL.addr\_round\_en is set to 1, you can access the Share Memory using out-of-bounds address such as 0xFF100000~0xFF1FFFFFF as the mirror address of 0xFF000000~0xFF0FFFFFF, and there is no error response.
- If SHAREMEM\_CTRL.addr\_round\_en is set to 0, when the read or write address exceeds the address boundary, the AXI bus will respond a read or write error. You can read the response status from the register SHAREMEM\_STATUS.
- If configure SHAREMEM\_CTRL.free\_run\_mode to 1, internal auto clock gating will be



turned off.

- The programmable slot0 always has the highest priority in the Memory Block0, which is mentioned as the RRA priority region 0.
- The register bit SHAREMEM\_CTRL.cfg\_load\_en is auto clear, so the readvalue is always 0.

Rockchip Confidential

## Chapter 35 DECOM

### 35.1 Overview

DECOM can decompress compressed files in GZIP, LZ4, DEFLATE and ZLIB formats. DECOM controller supports the following features:

- Support for decompressing GZIP files
- Support for decompressing LZ4 files, including the General Structure of LZ4 Frame format and the Legacy Frame format
- Support for decompressing data in DEFLATE format
- Support for decompressing data in ZLIB format
- There is a 32bit APB slave interface for configuring decompression parameters and querying register status
- There is a 128-bit AXI master interface for reading compressed data and outputting decompressed data. The AXI master interface supports burst 4/8/16 and single transmissions
- Support one internal 128-bit wide and 64-location deep FIFO(RX\_FIFO) for caching source compressed data
- Support one internal 24-bit wide and 64-location deep FIFO(HF\_FIFO) for caching intermediate data during decompression
- Built-in a 32KB two-port RAM for storing decompressed data
- Support complete interrupt and error interrupt output
- Support Hash32 check in LZ4 decompression process
- Support the limit\_size function of the decompressed data to prevent the memory from being maliciously destroyed during the decompression process
- Support software to stop the decompression process

### 35.2 Block Diagram

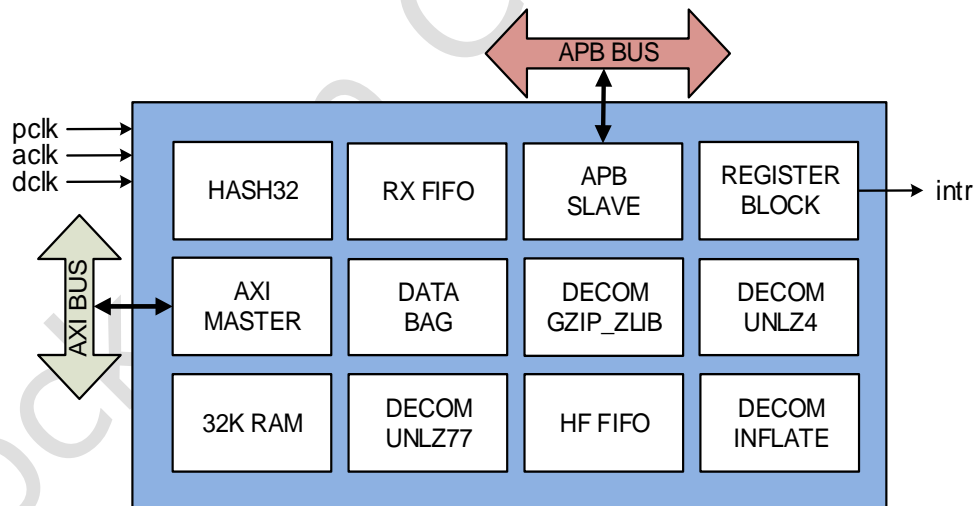


Fig. 35-1 DECOM Block Diagram

### 35.3 Function Description

#### 35.3.1 Module Introduction

##### 35.3.1.1 APB INTERFACE

The APB slave interface is used for registers configuration, decompression file parameter reading and interrupt status query, etc.

##### 35.3.1.2 AXI MASTER INTERFACE

The AXI master interface is used to read compressed file data from external storage into the RX\_FIFO and output the decompressed data to external storage. When decompressing the

LZ4 file, it is also used to read back data with a matching distance of more than 32 KB from the external storage.

#### **35.3.1.3 RX\_FIFO**

The RX\_FIFO is used to buffer the source compressed file data read back through the AXI master interface. The RX\_FIFO is an asynchronous FIFO, the write interface uses aclk, and the read interface uses dclk.

#### **35.3.1.4 Data Bag**

The Data Bag reads and bites the data in the RX\_FIFO, and extracts the corresponding number of bits according to the needs of the decompression module.

#### **35.3.1.5 UNLZ4 Module**

The UNLZ4 module performs file header parsing on the compressed file of LZ4 format, and decompresses the data into LZ77 format (match length-matching distance) data pair or character data, and stores it in HF\_FIFO.

#### **35.3.1.6 GZIP\_ZLIB**

The GZIP\_ZLIB module is used to perform file header and file end parsing for compressed files in GZIP format and compressed data in ZLIB format, and the compressed data portion is decompressed by the INFLATE module. The GZIP or ZLIB decompression mode can be configured by configuring the CTRL register.

#### **35.3.1.7 INFLATE Module**

INFLATE Module is used to decompress compressed files in DEFLATE format, implement static/dynamic huffman decoding, decompress compressed data in DEFLATE format into LZ77 format (match length-match distance) data pairs or character data, and store them in HF\_FIFO.

#### **35.3.1.8 HF\_FIFO**

The HF\_FIFO is used to buffer the LZ77 format (match length-match distance) data pair or character data decompressed by the UNLZ4 module and the INFLATE module, and wait for the UNLZ77 module to further decompress the intermediate data. The HF\_FIFO is an asynchronous FIFO, the write interface uses dclk, and the read interface uses aclk.

#### **35.3.1.9 UNLZ77 Module**

UNLZ77 is used to implement LZ77 decoding and store the decompressed data in 32K RAM. When the matching distance is less than 32k byte, matching replication is performed in 32K RAM. When the matching distance is greater than 32k byte, the AXI master interface is controlled to perform matching replication in the external storage.

#### **35.3.1.10 32K-RAM**

The 32K RAM is used to buffer the decompressed data. During the decompression process, the UNLZ77 module also performs read access to the RAM to complete the data matching.

#### **35.3.1.11 HASH32 Module**

In the process of decompressing the LZ4 compressed file, the HASH32 module is used to calculate the hash32 check value of the file header, data block and decompressed data.

#### **35.3.1.12 Interface and Clock**

The 32-bit APB Slave interface in DECOM is used for register configuration and interrupt status query interface, using pclk as the interface clock.

DECOM uses 128bit AXI master interface to realize the functions of reading the data to be compressed, decompressing the data output and decompressing LZ4 external matching data; it should be noted that the AXI master interface supports Single and Burst transmission, which only supports incr4, incr8 and Incr16 three transmission types, does not support Wrap transmission. DECOM automatically configures the burst type according to the length of the transmitted data and the starting address. The software configuration is not supported to select the burst type.

DECOM has three sets of clock and reset inputs, pclk and presetn, dclk and drstn, aclk and aresetn. Among them pclk and aclk are APB and AXI bus clocks respectively, and dclk is decompression clock.

### 35.3.2 Data Flow

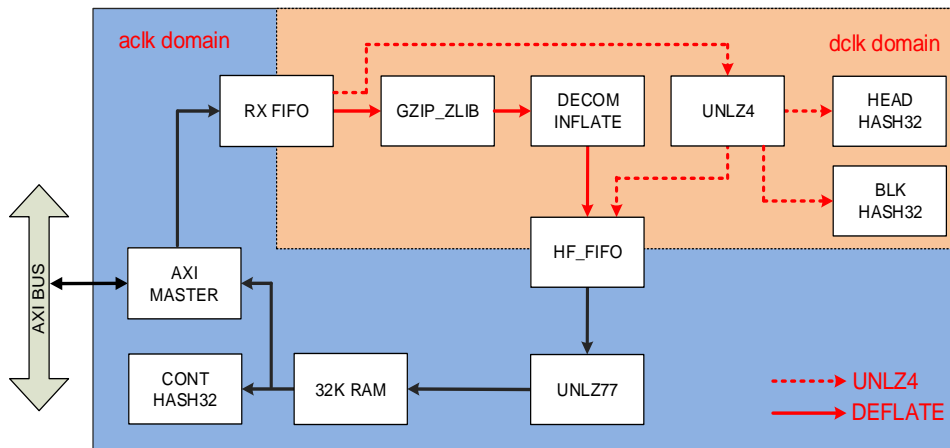


Fig. 35-2 DECOM Data Flow

## 35.4 Register Description

### 35.4.1 Internal Address Mapping

Slave address can be divided into different length for different usage, which is shown as follows.

### 35.4.2 Registers Summary

Name	Offset	Size	Reset Value	Description
<u>DECOM_CTRL</u>	0x0000	W	0x00000000	Control Register
<u>DECOM_ENR</u>	0x0004	W	0x00000000	Enable Register
<u>DECOM_RADDR</u>	0x0008	W	0x00000000	Read Address
<u>DECOM_WADDR</u>	0x000C	W	0x00000000	Write Address
<u>DECOM_UDDSL</u>	0x0010	W	0xFFFFFFFF	Undecompressed Data Size
<u>DECOM_UDDSH</u>	0x0014	W	0xFFFFFFFF	Undecompressed Data Size
<u>DECOM_TXTHR</u>	0x0018	W	0x00000100	Transmit Threshold Level
<u>DECOM_SLEN</u>	0x0020	W	0x00000000	INFLATE Store Length
<u>DECOM_STAT</u>	0x0024	W	0x00000000	DECOM Status Register
<u>DECOM_ISR</u>	0x0028	W	0x00000000	Interrupt Status Register
<u>DECOM_IEN</u>	0x002C	W	0x00000000	Interrupt Enable Register
<u>DECOM_AXI_STAT</u>	0x0030	W	0x00000010	AXI Master Interface State
<u>DECOM_TSIZEL</u>	0x0034	W	0x00000000	Decompressed Data Total Size Lower 32bit
<u>DECOM_TSIZEH</u>	0x0038	W	0x00000000	Decompressed Data Total Size Upper 32bit
<u>DECOM_MGNUM</u>	0x003C	W	0x00000000	LZ4 File Magic Number
<u>DECOM_FRAME</u>	0x0040	W	0x00000000	LZ4 File Frame Descriptor
<u>DECOM_DICTID</u>	0x0044	W	0x00000000	Dictionary ID
<u>DECOM_CSL</u>	0x0048	W	0x00000000	LZ4 Content Size(CS) Lower 32-bits
<u>DECOM_CSH</u>	0x004C	W	0x00000000	LZ4 Content Size(CS) Upper 32-bits
<u>DECOM_LMTSL</u>	0x0050	W	0xFFFFFFFF	Limit Size of Decompressed Data
<u>DECOM_LMTSH</u>	0x0054	W	0xFFFFFFFF	Limit Size of Decompressed Data
<u>DECOM_GZFHD</u>	0x0058	W	0x00000000	GZIP/ZLIB File Header Information
<u>DECOM_VERSION</u>	0x00F0	W	0x00000926	DECOM Version Number

Notes: **Size:** **B**- Byte (8 bits) access, **HW**- Half WORD (16 bits) access, **W**-WORD (32 bits) access, **DW**- Double WORD (64 bits) access

**35.4.3 Detail Registers Description**

**DECOM\_CTRL**

Address: Operational Base + offset (0x0000)

Bit	Attr	Reset Value	Description
31:6	RO	0x0000000	reserved
5	RW	0x0	ZLIBM ZLIB mode. 1'b0: Disable 1'b1: Enable When decompressing ZLIB compressed data, ZLIBM must be enabled and DEM should be set to 1.
4	RW	0x0	GZIPM GZIP mode. 1'b0: Disable 1'b1: Enable When decompressing GZIP files, GZIPM must be enabled and DEM should be set to 1.
3	RW	0x0	CCEN LZ4 content checksum check enable. 1'b0: Disable 1'b1: Enable In LZ4 files, a 32-bits content checksum will be appended at the end of the file. When CCEN is enabled, DECOM will verify the content checksum to check if the decompressed data is correct. Only valid when decompressing LZ4 files.
2	RW	0x0	BCEN LZ4 block checksum check enable. 1'b0: Disable 1'b1: Enable In LZ4 files, each data block will be followed by a 4-bytes checksum, calculated by using the xxHash-32 algorithm on the compressed data block. The intention is to detect data corruption(storage or transmission errors) immediately, before decoding. When BCEN is enabled, DECOM will check the block checksum to determine if the block to be decompressed is correct. Only valid when decompressing LZ4 files.
1	RW	0x0	HCEN LZ4 header checksum check enable. 1'b0: Disable 1'b1: Enable The LZ4 header contains a 1-byte xxh32 checksum value(HC). When HCEN is enabled, DECOM will check the HC to check if the header is correct. Only valid when decompressing LZ4 files.
0	RW	0x0	DEM DECOM mode select. 1'b0: UNLZ4 mode. Decompress the file in LZ4 format. 1'b1: INFLATE mode. Decompress the file in INFLATE format. If GZIPM=1'b1 or GZLIBM=1'b1, DEM must be set 1.

**DECOM\_ENR**

Address: Operational Base + offset (0x0004)

Bit	Attr	Reset Value	Description
31:1	RO	0x00000000	reserved

Bit	Attr	Reset Value	Description
0	R/W SC	0x0	ENR Enables and disables all decompress operations. 1'b0: Disable decompressor 1'b1: Enable decompressor to work All FIFO buffers and aclk/dclk domain work registers are cleared when the device is disabled. Self clear when decompression is complete. The ENR should be enabled after the other registers are configured.

**DECOM RADDR**

Address: Operational Base + offset (0x0008)

Bit	Attr	Reset Value	Description
31:0	RW	0x00000000	RADDR Read address. This register is used to configure the starting address of the file to be decompressed.

**DECOM WADDR**

Address: Operational Base + offset (0x000C)

Bit	Attr	Reset Value	Description
31:0	RW	0x00000000	WADDR Write address. This register is used to configure the starting address of the location where the decompressed data is written. Note: WADDR[31:0] must be configured with a 128bit aligned address (WADDR[3:0]==4'b0).

**DECOM UDDSL**

Address: Operational Base + offset (0x0010)

Bit	Attr	Reset Value	Description
31:0	RW	0xffffffff	UDDSL Undecompressed data size lower 32bits. (Unit:byte) UDDS[63:0] is the total size of undecompressed file. DECOM will read the compressed file data according to the value of UDDS[63:0], but the configuration of this register is optional. If this register is not configured, DECOM will use the default value of 64'hffff_ffff_ffff_ffff, and DECOM will keep reading data until the current decompression process ends.

**DECOM UDDSH**

Address: Operational Base + offset (0x0014)

Bit	Attr	Reset Value	Description
31:0	RW	0xffffffff	UDDSH Undecompressed data size higher 32bits.

**DECOM TXTHR**

Address: Operational Base + offset (0x0018)

Bit	Attr	Reset Value	Description
31:0	RW	0x00000100	TXTHR When the number of 32K_MEM entries is greater than or equal to this value, the DECOM will automatically transfer the data in the 32K_MEM to the external via the AXI Master interface. The value ranges is 0~32256.(Unit:byte)

**DECOM\_SLEN**

Address: Operational Base + offset (0x0020)

Bit	Attr	Reset Value	Description
31:0	RO	0x00000000	SLEN INFLATE store block size. (Unit:byte) Indicate the block size when decompressing the store block of INFALTE file. For debugging SLC_ERR.

**DECOM\_STAT**

Address: Operational Base + offset (0x0024)

Bit	Attr	Reset Value	Description
31:2	RO	0x00000000	reserved
1	RO	0x0	LAST Used to indicate whether the currently processed compressed data block is the last one. 1'b0: Not last block 1'b1: Last block
0	RO	0x0	COMPLETE DECOM complete flag. 1'b0: Not complete 1'b1: Decompress is complete with no error Only decompress total complete with no error, this flag is set to 1.

**DECOM\_ISR**

Address: Operational Base + offset (0x0028)

Bit	Attr	Reset Value	Description
31:20	RO	0x000	reserved
19	W1 C	0x0	DSOLI Decompressed data size over limit_size interrupt. 1'b0: Interrupt is not active 1'b1: Interrupt is active
18	W1 C	0x0	ZDICTEI ZLIB dictionary error interrupt. 1'b0: Interrupt is not active 1'b1: Interrupt is active
17	W1 C	0x0	GCMEI GZIP/ZLIB compression method check error interrupt. 1'b0: Interrupt is not active 1'b1: Interrupt is active
16	W1 C	0x0	GIDEI GZIP ID error interrupt. 1'b0: Interrupt is not active 1'b1: Interrupt is active
15	W1 C	0x0	CCCEI UNLZ4 content checksum check error interrupt. 1'b0: ccc_err interrupt is not active 1'b1: ccc_err interrupt is active
14	W1 C	0x0	BCCEI UNLZ4 block checksum check error interrupt. 1'b0: bcc_err interrupt is not active 1'b1: bcc_err interrupt is active
13	W1 C	0x0	HCCEI UNLZ4 header checksum check error interrupt. 1'b0: hcc_err interrupt is not active 1'b1: hcc_err interrupt is active

Bit	Attr	Reset Value	Description
12	W1 C	0x0	CSEI UNLZ4 content size (or GZIP isize) error interrupt. 1'b0: cs_err interrupt is not active 1'b1: cs_err interrupt is active
11	W1 C	0x0	DICTEI UNLZ4 dictionary error interrupt. 1'b0: Interrupt is not active 1'b1: Interrupt is active
10	W1 C	0x0	VNEI UNLZ4 version number error interrupt. 1'b0: vn_err interrupt is not active 1'b1: vn_err interrupt is active
9	W1 C	0x0	MNEI UNLZ4 magic number error interrupt. 1'b0: mn_err interrupt is not active 1'b1: mn_err interrupt is active
8	W1 C	0x0	RDCEI AXI read channel error interrupt. 1'b0: INFLATE AXI RDC_ERR interrupt is not active 1'b1: INFLATE AXI RDC_ERR interrupt is active
7	W1 C	0x0	WRCEI AXI write channel error interrupt. 1'b0: INFLATE AXI WRC_ERR interrupt is not active 1'b1: INFLATE AXI WRC_ERR interrupt is active
6	W1 C	0x0	DISEI INFLATE huffman distance error interrupt. 1'b0: INFLATE HFDIS_ERR interrupt is not active 1'b1: INFLATE HFDIS_ERR interrupt is active
5	W1 C	0x0	LENEI INFLATE huffman length error interrupt. 1'b0: INFLATE HFLEN_ERR interrupt is not active 1'b1: INFLATE HFLEN_ERR interrupt is active
4	W1 C	0x0	LITEI INFLATE huffman literal error interrupt. 1'b0: INFLATE HFLIT_ERR interrupt is not active 1'b1: INFLATE HFLIT_ERR interrupt is active
3	W1 C	0x0	SQMEI INFLATE SQ match error interrupt. 1'b0: INFLATE SQM_ERR interrupt is not active 1'b1: INFLATE SQM_ERR interrupt is active
2	W1 C	0x0	SLCEI INFLATE store block length check error interrupt. 1'b0: INFLATE SLC_ERR interrupt is not active 1'b1: INFLATE SLC_ERR interrupt is active
1	W1 C	0x0	HDEI INFLATE file header error interrupt. 1'b0: INFLATE header error interrupt is not active 1'b1: INFLATE header error interrupt is active
0	W1 C	0x0	DSI DECOM stop interrupt. 1'b0: Decompression stop interrupt is not active 1'b1: Decompression stop interrupt is active This interrupt indicates that DECOM has stopped working. Including decompression completion or decompression encountered an error.



**DECOM IEN**

Address: Operational Base + offset (0x002C)

Bit	Attr	Reset Value	Description
31:20	RO	0x000	reserved
19	RW	0x0	DSOLIEN Decompressed data size over limit_size interrupt enable. 1'b0: Disable 1'b1: Enable
18	RW	0x0	ZDICTEIEN ZLIB dictionary error interrupt enable. 1'b0: Disable 1'b1: Enable
17	RW	0x0	GCMEIEN GZIP/ZLIB compression method error interrupt enable. 1'b0: Disable 1'b1: Enable
16	RW	0x0	GIDEIEN GZIP ID error interrupt enable. 1'b0: Disable 1'b1: Enable
15	RW	0x0	CCCEIEN UNLZ4 content checksum check error interrupt enable. 1'b0: Disable 1'b1: Enable
14	RW	0x0	BCCEIEN UNLZ4 block checksum check error interrupt enable. 1'b0: Disable 1'b1: Enable
13	RW	0x0	HCCEIEN UNLZ4 header checksum check error interrupt enable. 1'b0: Disable 1'b1: Enable
12	RW	0x0	CSEIEN UNLZ4 content size (or GZIP isize) error interrupt enable. 1'b0: Disable 1'b1: Enable
11	RW	0x0	DICTEIEN UNLZ4 dictionary error interrupt enable. 1'b0: Disable 1'b1: Enable
10	RW	0x0	VNEIEN UNLZ4 version number error interrupt enable. 1'b0: Disable 1'b1: Enable
9	RW	0x0	WNEIEN UNLZ4 magic number error interrupt enable. 1'b0: Disable 1'b1: Enable
8	RW	0x0	RDCEIEN AXI read channel error interrupt enable. 1'b0: Disable 1'b1: Enable

Bit	Attr	Reset Value	Description
7	RW	0x0	WRCEIEN AXI write channel error interrupt enable. 1'b0: Disable 1'b1: Enable
6	RW	0x0	DISEIEN INFLATE huffman distance error interrupt enable. 1'b0: Disable 1'b1: Enable
5	RW	0x0	LENEIEN INFLATE huffman length error interrupt enable. 1'b0: Disable 1'b1: Enable
4	RW	0x0	LITEIEN INFLATE huffman literal error interrupt enable. 1'b0: Disable 1'b1: Enable
3	RW	0x0	SQMEIEN INFLATE SQ match error interrupt enable. 1'b0: Disable 1'b1: Enable
2	RW	0x0	SLCIEN INFLATE store block length check error interrupt enable. 1'b0: Disable 1'b1: Enable
1	RW	0x0	HDEIEN INFLATE file header error interrupt enable. 1'b0: Disable 1'b1: Enable
0	RW	0x0	DSIEN DECOM stop interrupt enable. 1'b0: Disable 1'b1: Enable

**DECOM AXI STAT**

Address: Operational Base + offset (0x0030)

Bit	Attr	Reset Value	Description
31:5	RO	0x0000000	reserved
4	RO	0x1	AXI_IDLE AXI master idle state register. 1'b0: AXI master is busy 1'b1: AXI master is idle When the decompression is aborted, DECOM will wait for AXI master's current read/write transfer to complete, that is, wait for AXI_IDLE=1, then reset DECOM, otherwise the uncompleted AXI transmission will cause AXI bus exception. It should be noted that after the decompression is abnormal, the AXI master's unfinished write operation will continue, but the output value of wstrb[15:0] will become 16'b0.
3:2	RO	0x0	RRESP AXI read channel response state.
1:0	RO	0x0	BRESP AXI write channel response state.

**DECOM TSIZEL**

Address: Operational Base + offset (0x0034)

Bit	Attr	Reset Value	Description
31:0	RO	0x00000000	TSIZEL The total size of the data after decompression. TSIZE[63:0]. (Unit:byte)

**DECOM\_TSIZEH**

Address: Operational Base + offset (0x0038)

Bit	Attr	Reset Value	Description
31:0	RO	0x00000000	TSIZEH The total size of the data after decompression.

**DECOM\_MGNUM**

Address: Operational Base + offset (0x003C)

Bit	Attr	Reset Value	Description
31:0	RO	0x00000000	MGNUM Magic number of LZ4 is 0x184D2204. If the MGNUM is not 0x184D2204, a magic number error(mn_err) will be generated. And DECOM will stop decompressing.

**DECOM\_FRAME**

Address: Operational Base + offset (0x0040)

Bit	Attr	Reset Value	Description
31:24	RO	0x00	reserved
23:16	RO	0x00	HCC Header checksum byte. One-byte checksum of combined descriptor fields, including optional ones. The value is the second byte of xxh32() using zero as a seed, and the full frame descriptor as an input (including optional fields when they are present). A wrong checksum indicates an error in the descriptor. Header checksum is informational and can be skipped. The header checksum check function can be enabled by controlling the HCEN enable signal in the CTRL register. After being turned on, DECOM calculates the hash32 check value based on the data of the frame descriptor part of the LZ4 compressed file, and performs the header checksum byte in the file. In contrast, if they are not equal, an HCC error will be generated and an interrupt will be generated.
15:8	RO	0x00	BD BD byte. Including Block Maximum Size information. This information is useful to help the decoder allocate memory. Size here refers to the original(uncompressed) data size.
7:6	RO	0x0	VN_NUM Version number. 2-bits field, must be set to 2'b01. Any other value cannot be decoded by this version of the specification. If the version number is error, Version number error(VNE) will be generated.
5	RO	0x0	BCC_FLG Block checksum flag. If this flag is set, each data block will be followed by a 4-bytes checksum, calculated by using the xxHash-32 algorithm on the raw (compressed) data block. The intention is to detect data corruption (storage or transmission errors) immediately, before decoding. Block checksum usage is optional.

Bit	Attr	Reset Value	Description
4	RO	0x0	<b>BIND_FLG</b> Block independence flag. If this flag is set to "1", blocks are independent. If this flag is set to "0", each block depends on previous ones (up to LZ4 window size, which is 64 KB). In such case, it's necessary to decode all blocks in sequence. Block dependency improves compression ratio, especially for small blocks. On the other hand, it makes random access or multi-threaded decoding impossible. For debugging.
3	RO	0x0	<b>CS_FLG</b> Content size flag. If this flag is set, the uncompressed size of data included within the frame will be present as an 8 bytes unsigned little endian value, after the flags. Content size usage is optional.
2	RO	0x0	<b>CCC_FLG</b> Content checksum flag. If this flag is set, a 32-bits content checksum will be appended after the EndMark.
1	RO	0x0	reserved
0	RO	0x0	<b>DICTIONARY_FLG</b> Dictionary ID flag. If this flag is set, a 4-bytes Dict-ID field will be present, after the descriptor flags and the Content Size. If this flag is set, Dictionary ID error will be generated. DECOM will stop decompressing.

**DECOM\_DICTID**

Address: Operational Base + offset (0x0044)

Bit	Attr	Reset Value	Description
31:0	RO	0x00000000	<b>DICTID</b> Dictionary ID in the compressed file header. Dictionary ID is only present if the DID_FLG is set. It works as a kind of "known prefix" which is used by both the compressor and the decompressor to "warm-up" reference tables.

**DECOM\_CSL**

Address: Operational Base + offset (0x0048)

Bit	Attr	Reset Value	Description
31:0	RO	0x00000000	<b>CSL</b> Content size(CS) lower 32-bits. (Unit:byte) CS[63:0] is the original(uncompressed) size. This information is optional in LZ4 file header, and only present if CS_FLG is set. CS[63:0]={CSH, CSL};

**DECOM\_CSH**

Address: Operational Base + offset (0x004C)

Bit	Attr	Reset Value	Description
31:1	RO	0x00000000	reserved
0	RO	0x0	<b>CSH</b> Content size(CS) upper 32-bits.

**DECOM\_LMTSL**

Address: Operational Base + offset (0x0050)

Bit	Attr	Reset Value	Description
31:0	RW	0xffffffff	LMTSL Limit size of decompressed data lower 32bits. (Unit:byte) When the amount of decompressed data is greater than the LMTS, DSOLI interrupt is generated and the decompression process is stopped.

**DECOM LMTSH**

Address: Operational Base + offset (0x0054)

Bit	Attr	Reset Value	Description
31:0	RW	0xffffffff	LMTSH Limit size of decompressed data higher 32bits.

**DECOM GZFHD**

Address: Operational Base + offset (0x0058)

Bit	Attr	Reset Value	Description
31:1	RO	0x00000000	reserved
0	RO	0x0	GZFHD GZIP/ZLIB file header information. When GZIPM = 1, GZFHD is GZIP file header information. When ZLIBM = 1, GZFHD is ZLIB file header information.

**DECOM VERSION**

Address: Operational Base + offset (0x00F0)

Bit	Attr	Reset Value	Description
31:0	RO	0x00000926	VERSION Version number = 32'h0000_0926.

## 35.5 Application Notes

- After configuring the decompression mode and other decompression parameters, configure the decompression enable register ENR
- When the decompression is not completed, setting ENR from 1 to 0 will force the decompression process to stop and DECOM will return to the IDLE state. Need to reconfigure and enable DECOM to start the next decompression
- When an error is encountered in the decompression, DECOM will immediately stop the decompression process, set the relevant status register, and generate the corresponding interrupt
- After the decompression process is stopped, ENR will automatically change to 0
- After the decompression process is stopped, DSI will be set to 1. If DSIEN is 1, an interrupt will be generated; if DSIEN is 0, no interrupt will be generated
- After the decompression process is stopped, COMPLETE (STAT[0]) is not set to 1 if there is an error in the decompression process; COMPLETE is set to 1 only when the decompression is complete and there are no errors

## Chapter 36 RKNN

### 36.1 Overview

RKNN is the process unit which is dedicated to neural network. It is designed to accelerate the neural network arithmetic in field of AI (artificial intelligence) such as machine vision and natural language processing. The variety of applications for AI is expanding, and currently provides functionality in a variety of areas, including face tracking as well as gesture and body tracking, image classification, video surveillance, automatic speech recognition (ASR) and advanced driver assistance systems (ADAS).

RKNN supports the following features:

- Include triple NPU CORE
- Support triple core co-work, dual core co-work, and work independently
- AHB interface used for configuration only support single
- AXI interface used to fetch data from memory
- Support integer 4, integer 8, integer 16, float 16, Bfloat 16 and tf32 operation
- 1024x3 integer 8 MAC operations per cycle
- 512x3 integer 16 MAC operations per cycle
- 512x3 float 16 MAC operations per cycle
- 512x3 bfloat 16 MAC operations per cycle
- 256x3 tf32 MAC operation per cycle
- 2048x3 integer 4 MAC operation per cycle
- 384KBx3 internal buffer
- Inference Engine: TensorFlow, Caffe, Tflite, Pytorch, Onnx NN, Android NN, etc.

### 36.2 Block Diagram

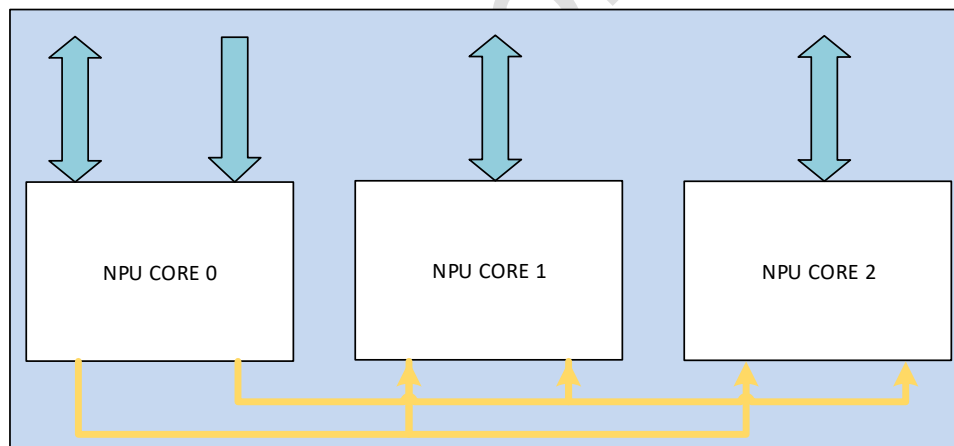


Fig. 36-1 RKNN Triple Core Architecture

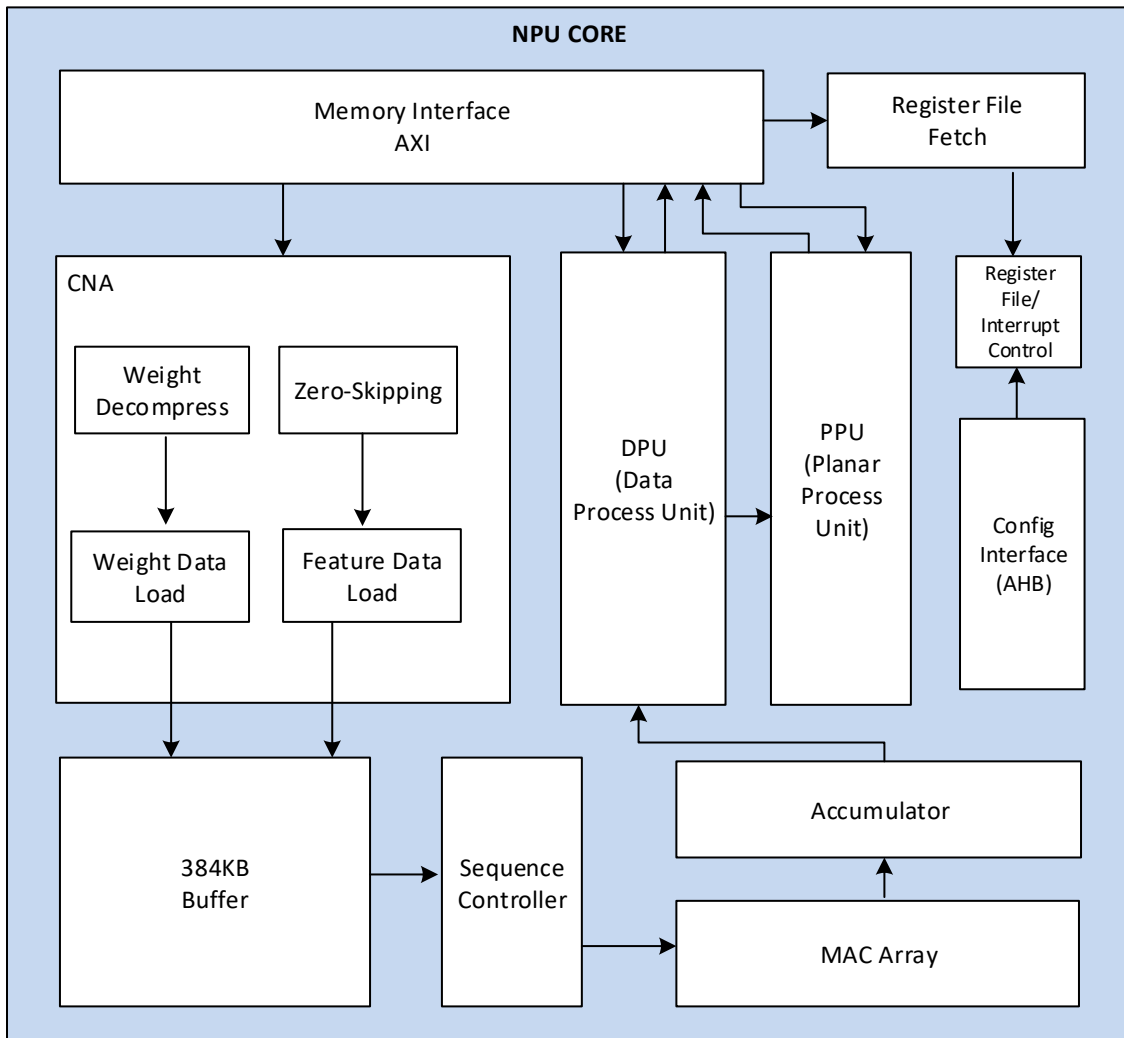


Fig. 36-2 RKNN Single Core Architecture

## 36.3 Function Description

### 36.3.1 AHB/AXI Interface

The AXI master interface is used to fetch data from memory that is attached to the Soc AXI interconnect. The AHB slave interface is used to access the registers for configuration, debug and test.

### 36.3.2 Neural Network Accelerating Engine

As the unit name, this engine is the main process unit for Neural Network arithmetic. This unit include convolution pre-process controller, internal buffer, mac array, accumulator. It provides parallel convolution MAC for recognition functions and int4, int8, int16, fp16, bfloat16 and tf16 are supported.

### 36.3.3 Data Processing Unit

Data Processing Unit mainly process the single data calculate, such as leaky\_relu, relu, relux, sigmoid, tanh...etc. It also provides function: softmax, transpose, data format conversion, ...etc.

### 36.3.4 Planar Processing Unit

Planar Processing Unit mainly provide planar function followed by output data from Data Processing Unit, such as average pooling, max pooling, min pooling... are supported.

### 36.3.5 Register File Fetch Unit

Register File Fetch Unit fetch register configuration from external system memory through AXI interface.

## 36.4 Register Description

### 36.4.1 Internal Address Mapping

Slave address can be divided into different length for different usage, which is shown as follows.

Table 1- 1 RKNN Address Mapping

Base Address[15:12]	Device	Address Length	Offset Address Range
4'h0	PC	4K BYTE	0x0000 ~ 0x0fff
4'h1	CNA	4K BYTE	0x1000 ~ 0x1fff
4'h3	CORE	4K BYTE	0x3000 ~ 0x3fff
4'h4	DPU	4K BYTE	0x4000 ~ 0x4fff
4'h5	DPU_RDMA	4K BYTE	0x5000 ~ 0x5fff
4'h6	PPU	4K BYTE	0x6000 ~ 0x6fff
4'h7	PPU_RDMA	4K BYTE	0x7000 ~ 0x7fff
4'h8	DDMA	4K BYTE	0x8000 ~ 0x8fff
4'h9	SDMA	4K BYTE	0x9000 ~ 0x9fff
4'hf	GLOBAL	4 BYTE	0xf000 ~ 0xf004

### 36.4.2 Registers Summary

Name	Offset	Size	Reset Value	Description
RKNN_pc_operation_enable	0x0008	W	0x00000000	Operation Enable
RKNN_pc_base_address	0x0010	W	0x00000000	PC address register
RKNN_pc_register_amounts	0x0014	W	0x00000000	Register amount for each task
RKNN_pc_interrupt_mask	0x0020	W	0x0001FFFF	Interrupt Mask
RKNN_pc_interrupt_clear	0x0024	W	0x00000000	Interrupt clear
RKNN_pc_interrupt_statuses	0x0028	W	0x00000000	Interrupt status
RKNN_pc_interrupt_raw_status	0x002C	W	0x00000000	Interrupt raw status
RKNN_pc_task_control	0x0030	W	0x00000000	Task control register
RKNN_pc_task_dma_base_addr	0x0034	W	0x00000000	Task Base address
RKNN_pc_task_status	0x003C	W	0x00000000	Task status register
RKNN_cna_s_status	0x1000	W	0x00000000	Single register group status
RKNN_cna_s_pointer	0x1004	W	0x00000000	Single register group pointer
RKNN_cna_operation_enable	0x1008	W	0x00000000	Operation Enable
RKNN_cna_conv_con1	0x100C	W	0x00000000	Convolution control register1
RKNN_cna_conv_con2	0x1010	W	0x00000000	Convolution control register2



Name	Offset	Size	Reset Value	Description
<u>RKNN cna conv con3</u>	0x1014	W	0x00000000	Convolution control register3
<u>RKNN cna data size0</u>	0x1020	W	0x00000000	Feature data size control register0
<u>RKNN cna data size1</u>	0x1024	W	0x00000000	Feature data size control register1
<u>RKNN cna data size2</u>	0x1028	W	0x00000000	Feature data size control register2
<u>RKNN cna data size3</u>	0x102C	W	0x00000000	Feature data size control register3
<u>RKNN cna weight size0</u>	0x1030	W	0x00000000	Weight size control 0
<u>RKNN cna weight size1</u>	0x1034	W	0x00000000	Weight size control 1
<u>RKNN cna weight size2</u>	0x1038	W	0x00000000	Weight size control 2
<u>RKNN cna cbuf con0</u>	0x1040	W	0x00000000	CBUF control register 0
<u>RKNN cna cbuf con1</u>	0x1044	W	0x00000000	CBUF control register 1
<u>RKNN cna cvt con0</u>	0x104C	W	0x00000000	Input convert control register0
<u>RKNN cna cvt con1</u>	0x1050	W	0x00000000	Input convert control register1
<u>RKNN cna cvt con2</u>	0x1054	W	0x00000000	Input convert control register2
<u>RKNN cna cvt con3</u>	0x1058	W	0x00000000	Input convert control register3
<u>RKNN cna cvt con4</u>	0x105C	W	0x00000000	Input convert control register4
<u>RKNN cna fc con0</u>	0x1060	W	0x00000000	Full connected control register0
<u>RKNN cna fc con1</u>	0x1064	W	0x00000000	Full connected control register1
<u>RKNN cna pad con0</u>	0x1068	W	0x00000000	Pad control register0
<u>RKNN cna feature data addr</u>	0x1070	W	0x00000000	Base address for input feature data
<u>RKNN cna fc con2</u>	0x1074	W	0x00000000	Full connected control register2
<u>RKNN cna dma con0</u>	0x1078	W	0x00000000	AXI control register 0
<u>RKNN cna dma con1</u>	0x107C	W	0x00000000	AXI control register 1
<u>RKNN cna dma con2</u>	0x1080	W	0x00000000	AXI control register 2
<u>RKNN cna fc data size0</u>	0x1084	W	0x00000000	Full connected data size control register0
<u>RKNN cna fc data size1</u>	0x1088	W	0x00000000	Full connected data size control register1
<u>RKNN cna clk gate</u>	0x1090	W	0x00000000	Clock gating control register
<u>RKNN cna dcomp ctrl</u>	0x1100	W	0x00000000	Weight decompress control register
<u>RKNN cna dcomp regnum</u>	0x1104	W	0x00000000	Weight decompress register number
<u>RKNN cna dcomp addr0</u>	0x1110	W	0x00000000	Base address of the weight
<u>RKNN cna dcomp amount0</u>	0x1140	W	0x00000000	Amount of the weight decompress for the 0 decompress
<u>RKNN cna dcomp amount1</u>	0x1144	W	0x00000000	Amount of the weight decompress for the 1 decompress
<u>RKNN cna dcomp amount2</u>	0x1148	W	0x00000000	Amount of the weight decompress for the 2 decompress
<u>RKNN cna dcomp amount3</u>	0x114C	W	0x00000000	Amount of the weight decompress for the 3 decompress

<b>Name</b>	<b>Offset</b>	<b>Size</b>	<b>Reset Value</b>	<b>Description</b>
<u>RKNN cna dcomp amount4</u>	0x1150	W	0x00000000	Amount of the weight decompress for the 4 decompress
<u>RKNN cna dcomp amount5</u>	0x1154	W	0x00000000	Amount of the weight decompress for the 5 decompress
<u>RKNN cna dcomp amount6</u>	0x1158	W	0x00000000	Amount of the weight decompress for the 6 decompress
<u>RKNN cna dcomp amount7</u>	0x115C	W	0x00000000	Amount of the weight decompress for the 7 decompress
<u>RKNN cna dcomp amount8</u>	0x1160	W	0x00000000	Amount of the weight decompress for the 8 decompress
<u>RKNN cna dcomp amount9</u>	0x1164	W	0x00000000	Amount of the weight decompress for the 9 decompress
<u>RKNN cna dcomp amount10</u>	0x1168	W	0x00000000	Amount of the weight decompress for the 10 decompress
<u>RKNN cna dcomp amount11</u>	0x116C	W	0x00000000	Amount of the weight decompress for the 11 decompress
<u>RKNN cna dcomp amount12</u>	0x1170	W	0x00000000	Amount of the weight decompress for the 12 decompress
<u>RKNN cna dcomp amount13</u>	0x1174	W	0x00000000	Amount of the weight decompress for the 13 decompress
<u>RKNN cna dcomp amount14</u>	0x1178	W	0x00000000	Amount of the weight decompress for the 14 decompress
<u>RKNN cna dcomp amount15</u>	0x117C	W	0x00000000	Amount of the weight decompress for the 15 decompress
<u>RKNN cna cvt con5</u>	0x1180	W	0x00000000	Input convert control register5
<u>RKNN cna pad con1</u>	0x1184	W	0x00000000	Pad controller register1
<u>RKNN core s status</u>	0x3000	W	0x00000000	Single register group status
<u>RKNN core s pointer</u>	0x3004	W	0x00000000	Single register group pointer
<u>RKNN core operation enable</u>	0x3008	W	0x00000000	Operation Enable
<u>RKNN core mac gating</u>	0x300C	W	0x07800800	MAC gating register
<u>RKNN core misc cfg</u>	0x3010	W	0x00000000	Misc configuration register
<u>RKNN core dataout size 0</u>	0x3014	W	0x00000000	Feature size register 0 of output
<u>RKNN core dataout size 1</u>	0x3018	W	0x00000000	Feature size register 1 of output
<u>RKNN core clip truncate</u>	0x301C	W	0x00000000	Shift value register
<u>RKNN dpu s status</u>	0x4000	W	0x00000000	Single register group status
<u>RKNN dpu s pointer</u>	0x4004	W	0x00000000	Single register group pointer
<u>RKNN dpu operation enable</u>	0x4008	W	0x00000000	Operation Enable
<u>RKNN dpu feature mode cfg</u>	0x400C	W	0x00000000	Configuration of the feature mode

<b>Name</b>	<b>Offset</b>	<b>Size</b>	<b>Reset Value</b>	<b>Description</b>
<u>RKNN dpu data format</u>	0x4010	W	0x00000000	Configuration of the data format
<u>RKNN dpu offset pend</u>	0x4014	W	0x00000000	Value of the offset pend
<u>RKNN dpu dst base addr</u>	0x4020	W	0x00000000	Destination base address
<u>RKNN dpu dst surf stride</u>	0x4024	W	0x00000000	Destination surface size
<u>RKNN dpu data cube width</u>	0x4030	W	0x00000000	Width of the input cube
<u>RKNN dpu data cube height</u>	0x4034	W	0x00000000	Height of the input cube
<u>RKNN dpu data cube notch addr</u>	0x4038	W	0x00000000	Notch signal of the input cube
<u>RKNN dpu data cube channel</u>	0x403C	W	0x00000000	Channel of the input cube
<u>RKNN dpu bs cfg</u>	0x4040	W	0x00000000	Configuration of the BS
<u>RKNN dpu bs alu cfg</u>	0x4044	W	0x00000000	Configuration of the BS ALU
<u>RKNN dpu bs mul cfg</u>	0x4048	W	0x00000000	Configuration of the BS MUL
<u>RKNN dpu bs relax cmp value</u>	0x404C	W	0x00000000	Value of the RELUX compare with
<u>RKNN dpu bs ow cfg</u>	0x4050	W	0x00000000	Configuration of the BS OW
<u>RKNN dpu bs ow op</u>	0x4054	W	0x00000000	Ow op of the BS OW
<u>RKNN dpu wdma size 0</u>	0x4058	W	0x00000000	Size 0 of the WDMA
<u>RKNN dpu wdma size 1</u>	0x405C	W	0x00000000	Size 1 of the WDMA
<u>RKNN dpu bn cfg</u>	0x4060	W	0x00000000	Configuration of BN
<u>RKNN dpu bn alu cfg</u>	0x4064	W	0x00000000	Configuration of the BN ALU
<u>RKNN dpu bn mul cfg</u>	0x4068	W	0x00000000	Configuration of the BN MUL
<u>RKNN dpu bn relax cmp value</u>	0x406C	W	0x00000000	Value of the RELUX compare with
<u>RKNN dpu ew cfg</u>	0x4070	W	0x00000000	Configuration of EW
<u>RKNN dpu ew cvt offset value</u>	0x4074	W	0x00000000	Offset of the EW input convert
<u>RKNN dpu ew cvt scale value</u>	0x4078	W	0x00000000	Scale of the EW input convert
<u>RKNN dpu ew relax cmp value</u>	0x407C	W	0x00000000	Value of the RELUX compare with
<u>RKNN dpu out cvt offset</u>	0x4080	W	0x00000000	Offset of the output converter
<u>RKNN dpu out cvt scale</u>	0x4084	W	0x00000000	Scale of the output converter
<u>RKNN dpu out cvt shift</u>	0x4088	W	0x00000000	Shift of the output converter
<u>RKNN dpu ew op value 0</u>	0x4090	W	0x00000000	Configure operand0 of the EW
<u>RKNN dpu ew op value 1</u>	0x4094	W	0x00000000	Configure operand1 of the EW

<b>Name</b>	<b>Offset</b>	<b>Size</b>	<b>Reset Value</b>	<b>Description</b>
<u>RKNN dpu ew op value</u> <u>2</u>	0x4098	W	0x00000000	Configure operand2 of the EW
<u>RKNN dpu ew op value</u> <u>3</u>	0x409C	W	0x00000000	Configure operand3 of the EW
<u>RKNN dpu ew op value</u> <u>4</u>	0x40A0	W	0x00000000	Configure operand4 of the EW
<u>RKNN dpu ew op value</u> <u>5</u>	0x40A4	W	0x00000000	Configure operand5 of the EW
<u>RKNN dpu ew op value</u> <u>6</u>	0x40A8	W	0x00000000	Configure operand6 of the EW
<u>RKNN dpu ew op value</u> <u>7</u>	0x40AC	W	0x00000000	Configure operand7 of the EW
<u>RKNN dpu surface add</u>	0x40C0	W	0x00000000	Value of the surface adder
<u>RKNN dpu lut access cfg</u>	0x4100	W	0x00000000	LUT access address and type
<u>RKNN dpu lut access da</u> <u>ta</u>	0x4104	W	0x00000000	Configuration of LUT access data
<u>RKNN dpu lut cfg</u>	0x4108	W	0x00000000	Configuration of the LUT
<u>RKNN dpu lut info</u>	0x410C	W	0x00000000	LUT information register
<u>RKNN dpu lut le start</u>	0x4110	W	0x00000000	LE LUT start point
<u>RKNN dpu lut le end</u>	0x4114	W	0x00000000	LE LUT end point
<u>RKNN dpu lut lo start</u>	0x4118	W	0x00000000	LO LUT start point
<u>RKNN dpu lut lo end</u>	0x411C	W	0x00000000	LO LUT end point
<u>RKNN dpu lut le slope s</u> <u>cale</u>	0x4120	W	0x00000000	LE LUT slope scale
<u>RKNN dpu lut le slope s</u> <u>hift</u>	0x4124	W	0x00000000	LE LUT slope shift
<u>RKNN dpu lut lo slope s</u> <u>cale</u>	0x4128	W	0x00000000	LO LUT slope scale
<u>RKNN dpu lut lo slope s</u> <u>hift</u>	0x412C	W	0x00000000	LO LUT slope shift
<u>RKNN dpu rdma s statu</u> <u>s</u>	0x5000	W	0x00000000	Single register group status
<u>RKNN dpu rdma s point</u> <u>er</u>	0x5004	W	0x00000000	Single register group pointer
<u>RKNN dpu rdma operati</u> <u>on enable</u>	0x5008	W	0x00000000	Operation Enable
<u>RKNN dpu rdma data cu</u> <u>be width</u>	0x500C	W	0x00000000	Input cube width
<u>RKNN dpu rdma data cu</u> <u>be height</u>	0x5010	W	0x00000000	Input cube height
<u>RKNN dpu rdma data cu</u> <u>be channel</u>	0x5014	W	0x00000000	Input cube channel

<b>Name</b>	<b>Offset</b>	<b>Size</b>	<b>Reset Value</b>	<b>Description</b>
<u>RKNN dpu rdma src base_addr</u>	0x5018	W	0x00000000	Base address of the input cube
<u>RKNN dpu rdma brdma_cfg</u>	0x501C	W	0x00000000	Configurations of BRDMA
<u>RKNN dpu rdma bs base_addr</u>	0x5020	W	0x00000000	Source base address of BRDMA
<u>RKNN dpu rdma nrdma_cfg</u>	0x5028	W	0x00000000	Configurations of NRDMA
<u>RKNN dpu rdma bn base_addr</u>	0x502C	W	0x00000000	Source base address of NRDMA
<u>RKNN dpu rdma erdma_cfg</u>	0x5034	W	0x00000000	Configurations of ERDMA
<u>RKNN dpu rdma ew base_addr</u>	0x5038	W	0x00000000	Source base address of ERDMA
<u>RKNN dpu rdma ew surf_stride</u>	0x5040	W	0x00000000	Surface size of the cube that the ERDMA read
<u>RKNN dpu rdma feature_mode_cfg</u>	0x5044	W	0x00000000	Configuration of the feature mode
<u>RKNN dpu rdma src dma_cfg</u>	0x5048	W	0x00000000	Configuration of the source read DMA
<u>RKNN dpu rdma surf notch</u>	0x504C	W	0x00000000	Surface notch
<u>RKNN dpu rdma pad_cfg</u>	0x5064	W	0x00000000	Configuration of the pad
<u>RKNN dpu rdma weight</u>	0x5068	W	0x00000000	Weight of the arbiter
<u>RKNN dpu rdma ew surf_notch</u>	0x506C	W	0x00000000	Surface notch
<u>RKNN ppu s status</u>	0x6000	W	0x00000000	Single register group status
<u>RKNN ppu s pointer</u>	0x6004	W	0x00000000	Single register group pointer
<u>RKNN ppu operation enable</u>	0x6008	W	0x00000000	Operation Enable
<u>RKNN ppu data cube in_width</u>	0x600C	W	0x00000000	Width of the input cube
<u>RKNN ppu data cube in_height</u>	0x6010	W	0x00000000	Height of the input cube
<u>RKNN ppu data cube in_channel</u>	0x6014	W	0x00000000	Channel of the input cube
<u>RKNN ppu data cube out_width</u>	0x6018	W	0x00000000	Width of the output cube
<u>RKNN ppu data cube out_height</u>	0x601C	W	0x00000000	Height of the output cube
<u>RKNN ppu data cube out_channel</u>	0x6020	W	0x00000000	Channel of the output cube

<b>Name</b>	<b>Offset</b>	<b>Size</b>	<b>Reset Value</b>	<b>Description</b>
<u>RKNN ppu operation mode_cfg</u>	0x6024	W	0x00000000	Configuration of the operation mode
<u>RKNN ppu pooling kernel_cfg</u>	0x6034	W	0x00000000	Configuration of the pooling kernel size
<u>RKNN ppu recip kernel width</u>	0x6038	W	0x00000000	The reciprocal of the kernel width
<u>RKNN ppu recip kernel height</u>	0x603C	W	0x00000000	The reciprocal of the kernel height
<u>RKNN ppu pooling padding_cfg</u>	0x6040	W	0x00000000	Configuration of the pooling pad
<u>RKNN ppu padding value_1_cfg</u>	0x6044	W	0x00000000	Pad Value register0
<u>RKNN ppu padding value_2_cfg</u>	0x6048	W	0x00000000	Pad Value register1
<u>RKNN ppu dst base_addr</u>	0x6070	W	0x00000000	Destination address of the output cube
<u>RKNN ppu dst surf stride</u>	0x607C	W	0x00000000	Destination surface size
<u>RKNN ppu data format</u>	0x6084	W	0x00000000	Configuration of the data format
<u>RKNN ppu misc_ctrl</u>	0x60DC	W	0x00000000	Misc configuration
<u>RKNN ppu rdma status</u>	0x7000	W	0x00000000	Single register group status
<u>RKNN ppu rdma s pointer</u>	0x7004	W	0x00000000	Single register group pointer
<u>RKNN ppu rdma operation_enable</u>	0x7008	W	0x00000000	Operation Enable
<u>RKNN ppu rdma cube_in_width</u>	0x700C	W	0x00000000	Input cube width
<u>RKNN ppu rdma cube_in_height</u>	0x7010	W	0x00000000	Input cube height
<u>RKNN ppu rdma cube_in_channel</u>	0x7014	W	0x00000000	Input cube channel
<u>RKNN ppu rdma src_base_addr</u>	0x701C	W	0x00000000	Source base address for input feature
<u>RKNN ppu rdma src_line_stride</u>	0x7024	W	0x00000000	Source line number including Virtual box
<u>RKNN ppu rdma src_surf_stride</u>	0x7028	W	0x00000000	Source surface size including Virtual box
<u>RKNN ppu rdma data_format</u>	0x7030	W	0x00000000	Data format for the input feature
<u>RKNN ddma_cfg_outstanding</u>	0x8000	W	0x00000000	Outstanding config register
<u>RKNN ddma_rd_weight_0</u>	0x8004	W	0x00000000	Weight of read arbiter

<b>Name</b>	<b>Offset</b>	<b>Size</b>	<b>Reset Value</b>	<b>Description</b>
<u>RKNN_ddma_wr_weight_0</u>	0x8008	W	0x00000000	Weight of write arbiter
<u>RKNN_ddma_cfg_id_error</u>	0x800C	W	0x00000000	Id where error happened
<u>RKNN_ddma_rd_weight_1</u>	0x8010	W	0x00000000	Weight of read arbiter register1
<u>RKNN_ddma_cfg_dma_fifo_clr</u>	0x8014	W	0x00000000	Clear DMA FIFO
<u>RKNN_ddma_cfg_dma_arb</u>	0x8018	W	0x00000000	DMA arbiter configuration register
<u>RKNN_ddma_cfg_dma_rd_qos</u>	0x8020	W	0x00000000	Read Qos for DMA
<u>RKNN_ddma_cfg_dma_rd_cfg</u>	0x8024	W	0x00000000	Read configuration for AXI signals
<u>RKNN_ddma_cfg_dma_wr_cfg</u>	0x8028	W	0x00000000	Write configuration for AXI signals
<u>RKNN_ddma_cfg_dma_wstrb</u>	0x802C	W	0x00000000	Write strobe signal for AXI
<u>RKNN_ddma_cfg_status</u>	0x8030	W	0x00000000	AXI status signal
<u>RKNN_sdma_cfg_outstanding</u>	0x9000	W	0x00000000	Outstanding configuration register
<u>RKNN_sdma_rd_weight_0</u>	0x9004	W	0x00000000	Weight of read arbiter
<u>RKNN_sdma_wr_weight_0</u>	0x9008	W	0x00000000	Weight of write arbiter
<u>RKNN_sdma_cfg_id_error</u>	0x900C	W	0x00000000	Id where error happened
<u>RKNN_sdma_rd_weight_1</u>	0x9010	W	0x00000000	Weight of read arbiter register1
<u>RKNN_sdma_cfg_dma_fifo_clr</u>	0x9014	W	0x00000000	Clear DMA FIFO
<u>RKNN_sdma_cfg_dma_arb</u>	0x9018	W	0x00000000	DMA arbiter configuration register
<u>RKNN_sdma_cfg_dma_rd_qos</u>	0x9020	W	0x00000000	Read Qos for DMA
<u>RKNN_sdma_cfg_dma_rd_cfg</u>	0x9024	W	0x00000000	Read configuration for AXI signals
<u>RKNN_sdma_cfg_dma_wr_cfg</u>	0x9028	W	0x00000000	Write configuration for AXI signals
<u>RKNN_sdma_cfg_dma_wstrb</u>	0x902C	W	0x00000000	Write strobe signal for AXI
<u>RKNN_sdma_cfg_status</u>	0x9030	W	0x00000000	AXI status signal
<u>RKNN_global_operation_enable</u>	0xF008	W	0x00000000	Combine Operation Enable

Notes: **Size:** **B**- Byte (8 bits) access, **HW**- Half WORD (16 bits) access, **W**-WORD (32 bits) access, **DW**- Double WORD (64 bits) access

### **36.4.3 Detail Registers Description**

#### **RKNN\_pc\_operation\_enable**

Address: Operational Base + offset (0x0008)

Bit	Attr	Reset Value	Description
31:1	RO	0x00000000	reserved
0	RW	0x0	op_en PC operation enable. 1'd0: Disable PC module; 1'd1: Enable PC module to fetch register for each task.

**RKNN\_pc\_base\_address**

Address: Operational Base + offset (0x0010)

Bit	Attr	Reset Value	Description
31:4	RW	0x00000000	pc_source_addr PC base address. This is the address of DMA instruction where it located.
3:1	RO	0x0	reserved
0	RW	0x0	pc_sel PC mode enable. 1'd0: PC mode, use AXI DMA to fetch register config; 1'd1: Slave mode, use AHB to set register.

**RKNN\_pc\_register\_amounts**

Address: Operational Base + offset (0x0014)

Bit	Attr	Reset Value	Description
31:16	RO	0x0000	reserved
15:0	RW	0x0000	pc_data_amount Data amount. The register number need to be fetched of one task. Each register takes 64 bits, it is combined as following: bit[63:48] indicates which block the register forward to. bit[47:16] the register's value bit[15: 0] the register's offset address in each block. bit[56]= 1 means this register is for pc block. bit[57]= 1 CNA bit[59]= 1 CORE bit[60]= 1 DPU bit[61]= 1 DPU_RDMA bit[62]= 1 PPU bit[63]= 1 PPU_RDMA bit[55]= 1 to set each block's op_en eg. 64'h0081_0000_007f_0008 will set each block's op_en(CNA, CORE, ..., PPU_RDMA). note: op_en is strongly recommended set at the end of register list. before op_en, 64'h0041_xxxx_xxxx_xxxx must be set.

**RKNN\_pc\_interrupt\_mask**

Address: Operational Base + offset (0x0020)



Bit	Attr	Reset Value	Description
31:17	RO	0x0000	reserved
16:0	RW	0x1ffff	<p>int_mask Interrupt mask.</p> <p>mask[0 ]: CNA feature group 0 interrupt mask. set 1 to enable interrupt;</p> <p>mask[1 ]: CNA feature group 1;</p> <p>mask[2 ]: CNA weight group 0;</p> <p>mask[3 ]: CNA weight group 1;</p> <p>mask[4 ]: CNA csc group 0;</p> <p>mask[5 ]: CNA csc group 1;</p> <p>mask[6 ]: CORE group 0;</p> <p>mask[7 ]: CORE group 1;</p> <p>mask[8 ]: DPU group 0;</p> <p>mask[9 ]: DPU group 1;</p> <p>mask[10]: PPU group 0;</p> <p>mask[11]: PPU group 1;</p> <p>mask[12]: DMA read error;</p> <p>mask[13]: DMA write error;</p> <p>Note: In pc mode, int mask set the last one task's interrupt masking.</p>

**RKNN\_pc interrupt clear**

Address: Operational Base + offset (0x0024)

Bit	Attr	Reset Value	Description
31:17	RO	0x0000	reserved
16:0	W1 C	0x00000	<p>int_clr Interrupt clear.</p> <p>done_clr[0 ]: CNA feature group 0 interrupt clear;</p> <p>done_clr[1 ]: CNA feature group 1;</p> <p>done_clr[2 ]: CNA weight group 0;</p> <p>done_clr[3 ]: CNA weight group 1;</p> <p>done_clr[4 ]: CNA csc group 0;</p> <p>done_clr[5 ]: CNA csc group 1;</p> <p>done_clr[6 ]: CORE group 0;</p> <p>done_clr[7 ]: CORE group 1;</p> <p>done_clr[8 ]: DPU group 0;</p> <p>done_clr[9 ]: DPU group 1;</p> <p>done_clr[10]: PPU group 0;</p> <p>done_clr[11]: PPU group 1;</p> <p>done_clr[12]: DMA read error;</p> <p>done_clr[13]: DMA write error.</p>

**RKNN\_pc interrupt status**

Address: Operational Base + offset (0x0028)

Bit	Attr	Reset Value	Description
31:17	RO	0x0000	reserved
16:0	W1 C	0x00000	int_st Interrupt status. int_st[0 ]: CNA feature group 0 interrupt status, which and with mask bit; int_st[1 ]: CNA feature group 1; int_st[2 ]: CNA weight group 0; int_st[3 ]: CNA weight group 1; int_st[4 ]: CNA csc group 0; int_st[5 ]: CNA csc group 1; int_st[6 ]: CORE group 0; int_st[7 ]: CORE group 1; int_st[8 ]: DPU group 0; int_st[9 ]: DPU group 1; int_st[10]: PPU group 0; int_st[11]: PPU group 1; int_st[12]: DMA read error; int_st[13]: DMA write error.

**RKNN\_pc interrupt raw status**

Address: Operational Base + offset (0x002C)

Bit	Attr	Reset Value	Description
31:17	RO	0x0000	reserved
16:0	W1 C	0x00000	int_raw_st Interrupt raw status. int_st[0 ]: CNA feature group 0 interrupt raw status; int_st[1 ]: CNA feature group 1; int_st[2 ]: CNA weight group 0; int_st[3 ]: CNA weight group 1; int_st[4 ]: CNA csc group 0; int_st[5 ]: CNA csc group 1; int_st[6 ]: CORE group 0; int_st[7 ]: CORE group 1; int_st[8 ]: DPU group 0; int_st[9 ]: DPU group 1; int_st[10]: PPU group 0; int_st[11]: PPU group 1; int_st[12]: DMA read error; int_st[13]: DMA write error.

**RKNN\_pc task con**

Address: Operational Base + offset (0x0030)

Bit	Attr	Reset Value	Description
31:14	RO	0x00000	reserved

Bit	Attr	Reset Value	Description
13	W1 C	0x0	task_count_clear Task counter clear register. Clear the counter that counting current task. Before task started, it is suggested to clear.
12	RW	0x0	task_pp_en PC task ping-pong mode enable. 1'd0: Ping-pong mode off. The second group register setting is fetched after first group task operation is finished; 1'd1: Tasks' registers are fetched in ping-pong mode. The second group register setting is fetched immediately after first group's register fetching is finished.
11:0	RW	0x000	task_number PC task number. Set the total task number to be executed.

**RKNN\_pc\_task\_dma\_base\_addr**

Address: Operational Base + offset (0x0034)

Bit	Attr	Reset Value	Description
31:4	RW	0x0000000	dma_base_addr Task base address. This is for each DMA's base address. For feature DMA, weight DMA, DPU DMA, PPU DMA, the address is set as offset address. Final address appear on AXI bus is base address + offset address.
3:0	RO	0x0	reserved

**RKNN\_pc\_task\_status**

Address: Operational Base + offset (0x003C)

Bit	Attr	Reset Value	Description
31:28	RO	0x0	reserved
27:0	RW	0x0000000	task_status Task status. [11:0]: Current task counter value; [12]: Indicate the first task is operating; [13]: Indicate the last task is operating; [12]: Indicate the first task's register is fetching; [13]: Indicate the last task's register is fetching.

**RKNN\_cna\_s\_status**

Address: Operational Base + offset (0x1000)

Bit	Attr	Reset Value	Description
31:18	RO	0x0000	reserved

Bit	Attr	Reset Value	Description
17:16	RO	0x0	status_1 Executer 1 status. 2'd0: Executer 1 is in idle state; 2'd1: Executer 1 is operating; 2'd2: Executer 1 is operating, executer 1 is waiting to operate; 2'd3: Reserved.
15:2	RO	0x0000	reserved
1:0	RO	0x0	status_0 Executer 0 status. 2'd0: Executer 0 is in idle state; 2'd1: Executer 0 is operating; 2'd2: Executer 0 is operating, executer 1 is waiting to operate; 2'd3: Reserved.

**RKNN cna s pointer**

Address: Operational Base + offset (0x1004)

Bit	Attr	Reset Value	Description
31:17	RO	0x0000	reserved
16	RO	0x0	executer Which register group to be used. 1'd0: Executer group 0; 1'd1: Executer group 1.
15:6	RO	0x000	reserved
5	W1 C	0x0	executer_pp_clear Clear executer group pointer. Set this bit to 1 to clear pointer to 0.
4	W1 C	0x0	pointer_pp_clear Clear register group pointer. Set this bit to 1 to clear pointer to 0.
3	RW	0x0	pointer_pp_mode Register group ping-pong mode. 1'd0: Pointer ping-pong by executer; eg. if current executer is 0, next pointer will toggle to 1; 1'd1: Pointer ping-pong by pointer; eg. if current pointer is 0, next pointer will toggle to 1.
2	RW	0x0	executer_pp_en Executer group ping-pong enable. 1'd0: Disable; 1'd1: Enable.
1	RW	0x0	pointer_pp_en Register group ping-pong enable. 1'd0: Disable; 1'd1: Enable.

Bit	Attr	Reset Value	Description
0	RW	0x0	pointer Which register group ready to be set. 1'd0: Register group 0; 1'd1: Register group 1.

**RKNN cna operation enable**

Address: Operational Base + offset (0x1008)

Bit	Attr	Reset Value	Description
31:1	RO	0x00000000	reserved
0	RW	0x0	op_en Set this register will trigger CNA block operate. This register and after this are all shadowed for ping-pong operation. 1'd0: Disable; 1'd1: Enable.

**RKNN cna conv con1**

Address: Operational Base + offset (0x100C)

Bit	Attr	Reset Value	Description
31	RO	0x0	reserved
30	RW	0x0	nonalign_dma CNA DMA non-align mode. 1'd0: Disable; 1'd1: Enable, please enable this bit under ARGB mode. Enable this bit will enable DMA fetching feature data continuously.
29	RW	0x0	group_line_off Group line fetch off. 1'd0: Enable group line fetch; 1'd1: Disable. This setting only influence line fetch efficiency.
28:17	RO	0x000	reserved
16	RW	0x0	deconv Enable deconvolution function. 1'd0: Disable; 1'd1: Enable.
15:12	RW	0x0	argb_in Non-align channel layer control register. 4'd8: 1 channel input mode; 4'd9: 2 channel input mode; 4'd10: 3 channel input mode; 4'd11: 4 channel input mode.
11:10	RO	0x0	reserved

Bit	Attr	Reset Value	Description
9:7	RW	0x0	proc_precision Process precision. 3'd0: Input precision is int 8; 3'd1: Input data precision is int 16; 3'd2: Input data precision is float 16; 3'd3: Input data precision is bfloat 16; 3'd4: Reserved; 3'd5: Reserved; 3'd6: Input data precision is int4; 3'd7: Input data precision is tf32.
6:4	RW	0x0	in_precision Input precision. 3'd0: Input precision is int 8; 3'd1: Input data precision is int 16; 3'd2: Input data precision is float 16; 3'd3: Input data precision is bfloat 16; 3'd4: Reserved; 3'd5: Reserved; 3'd6: Input data precision is int4; 3'd7: Input data precision is tf32.
3:0	RW	0x0	conv_mode Convolution mode. 2'd0: Direct convolution; 2'd1: Reserved; 2'd2: Reserved; 2'd3: Depthwise convolution.

**RKNN cna conv con2**

Address: Operational Base + offset (0x1010)

Bit	Attr	Reset Value	Description
31:24	RO	0x00	reserved
23:16	RW	0x00	kernel_group Kernels group. In int8, 32 kernels form 1 group, in int16 or fp16, 16 kernels form 1 group. eg, weight kernel is 256, in int8, you can set this register to be 256/32 -1 = 15.
15:14	RO	0x0	reserved
13:4	RW	0x000	feature_grains Feature data rows needs to be buffered before convolution start. It's suggested to set this field as y_stride+weight_height+1.
3	RO	0x0	reserved

Bit	Attr	Reset Value	Description
2	RW	0x0	csc_wo_en Do weight scan. 1'd0: Enable csc output weight data to core; 1'd1: Disable.
1	RW	0x0	csc_do_en Do data scan. 1'd0: Enable csc output feature data to core; 1'd1: Disable.
0	RW	0x0	cmd_fifo_srst Command FIFO soft reset. Reserved for debug purpose.

**RKNN cna conv con3**

Address: Operational Base + offset (0x1014)

Bit	Attr	Reset Value	Description
31	RO	0x0	reserved
30:28	RW	0x0	nn_mode co-work mode. 3'd0: Int8 mac array 32x32 mode; 3'd1: 64x32 mode; 3'd2: 96x32 mode; 3'd3: Reserved; 3'd4: 32x64 mode; 3'd5: 32x96 mode; 3'd6: Reserved; 3'd7: Reserved. This register is target for multicore mode. By single core mode keep it at 3'd0.
27:26	RO	0x0	reserved
25:21	RW	0x00	atrous_y_dilation Atrous x dilation. Pad numbers inserted in feature map column between 2 pixels.
20:16	RW	0x00	atrous_x_dilation Atrous x dilation. Pad numbers inserted in feature map row between 2 pixels. Set this register value >0 will enable atrous convolution.
15:14	RO	0x0	reserved
13:11	RW	0x0	deconv_y_stride Deconvolution y stride. Pad numbers inserted in feature map column between 2 pixels.
10:8	RW	0x0	deconv_x_stride Deconvolution x stride. Pad numbers inserted in feature map row between 2 pixels.
7:6	RO	0x0	reserved

Bit	Attr	Reset Value	Description
5:3	RW	0x0	conv_y_stride Convolution y stride. Stride value in y direction.
2:0	RW	0x0	conv_x_stride Convolution x stride. Stride value in x direction.

**RKNN cna data size0**

Address: Operational Base + offset (0x1020)

Bit	Attr	Reset Value	Description
31:27	RO	0x00	reserved
26:16	RW	0x000	datain_width Input feature data width.
15:11	RO	0x00	reserved
10:0	RW	0x000	datain_height Input feature data height.

**RKNN cna data size1**

Address: Operational Base + offset (0x1024)

Bit	Attr	Reset Value	Description
31:30	RO	0x0	reserved
29:16	RW	0x0000	datain_channel_real Real channel number. If the input channel is not integer times of 8(int8) or 4(int 16/float 16), set the real channel number in this field.
15:0	RW	0x0000	datain_channel Input feature data channel number; Int 8 mode, this number should be integer times of 8; Int 16/float 16 mode, should be integer times of 4.

**RKNN cna data size2**

Address: Operational Base + offset (0x1028)

Bit	Attr	Reset Value	Description
31:11	RO	0x000000	reserved
10:0	RW	0x000	dataout_width Data width after convolution.

**RKNN cna data size3**

Address: Operational Base + offset (0x102C)

Bit	Attr	Reset Value	Description
31:24	RO	0x00	reserved



Bit	Attr	Reset Value	Description
23:22	RW	0x0	surf_mode Surface serial mode. 2'd0: 1surf series; 2'd1: 1surf series; 2'd2: 2 surf series; 2'd3: 4 surf series.
21:0	RW	0x000000	dataout_atomics Data atoms after convolution which is data out total pixels number.

**RKNN\_cna\_weight\_size0**

Address: Operational Base + offset (0x1030)

Bit	Attr	Reset Value	Description
31:0	RW	0x00000000	weight_bytes Weight bytes in total for this convolution.

**RKNN\_cna\_weight\_size1**

Address: Operational Base + offset (0x1034)

Bit	Attr	Reset Value	Description
31:19	RO	0x0000	reserved
18:0	RW	0x00000	weight_bytes_per_kernel Weight bytes for one kernel.

**RKNN\_cna\_weight\_size2**

Address: Operational Base + offset (0x1038)

Bit	Attr	Reset Value	Description
31:29	RO	0x0	reserved
28:24	RW	0x00	weight_width Kernel width.
23:21	RO	0x0	reserved
20:16	RW	0x00	weight_height Kernel height.
15:14	RO	0x0	reserved
13:0	RW	0x0000	weight_kernels Weight kernels.

**RKNN\_cna\_cbuf\_con0**

Address: Operational Base + offset (0x1040)

Bit	Attr	Reset Value	Description
31:14	RO	0x00000	reserved

Bit	Attr	Reset Value	Description
13	RW	0x0	weight_reuse Weight data reuse enable. 1'd0: Disable; 1'd1: Enable data reuse. fetching weight directly from internal buffer.
12	RW	0x0	data_reuse Feature data reuse enable. 1'd0: Disable; 1'd1: Enable data reuse. fetching data directly from internal buffer.
11	RO	0x0	reserved
10:8	RW	0x0	fc_data_bank Bank numbers for fc zero-skipping feature data. In FC zero-skipping mode, set to be 1, Otherwise, must set to be 0.
7:4	RW	0x0	weight_bank Bank numbers for weight data. 4'd1: Bank 7 occupied by weight data; 4'd2: Bank 6/7 occupied by weight data; ... 4'd7: Bank 1-7 occupied by weight data.
3:0	RW	0x0	data_bank Bank numbers for feature data. 4'd0: Bank 0 occupied by feature data; 4'd1: Bank 0 and bank 1 occupied by feature data; 4'd2: Bank 0/1/2 occupied by feature data; ... 4'd6: Bank 0-6 occupied by feature data.

**RKNN cna cbuf con1**

Address: Operational Base + offset (0x1044)

Bit	Attr	Reset Value	Description
31:13	RO	0x00000	reserved
12:0	RW	0x0000	data_entries How many banks space needed to store one feature map row.

**RKNN cna cvt con0**

Address: Operational Base + offset (0x104C)

Bit	Attr	Reset Value	Description
31:28	RO	0x0	reserved
27:22	RW	0x00	cvt_truncate_3 CVT truncate value 3.
21:16	RW	0x00	cvt_truncate_2 CVT truncate value 2.
15:10	RW	0x00	cvt_truncate_1 CVT truncate value 1.

Bit	Attr	Reset Value	Description
9:4	RW	0x00	cvt_truncate_0 CVT truncate value 0.
3	RW	0x0	data_sign Feature data is signed or unsigned. 1'd0: Unsigned; 1'd1: Signed.
2	RW	0x0	round_type Rounding type of the input convert. 1'd0: Odd in, even not; 1'd1: Round-up 0.5 to 1.
1	RW	0x0	cvt_type Cal type of the input convert. 1'd0: Multiply first, then add; 1'd1: CVT function will do add first, then multiply.
0	RW	0x0	cvt_bypass Bypass input convert. 1'd0: Enable CVT function; 1'd1: Disable CVT function.

**RKNN cna cvt con1**

Address: Operational Base + offset (0x1050)

Bit	Attr	Reset Value	Description
31:16	RW	0x0000	cvt_scale0 CVT scale 0. Multiplier operand for 1st channel.
15:0	RW	0x0000	cvt_offset0 CVT offset 0. Adder operand for 1st channel.

**RKNN cna cvt con2**

Address: Operational Base + offset (0x1054)

Bit	Attr	Reset Value	Description
31:16	RW	0x0000	cvt_scale1 CVT scale 1 Multiplier operand for 2nd channel.
15:0	RW	0x0000	cvt_offset1 CVT offset 1. Adder operand for 2nd channel.

**RKNN cna cvt con3**

Address: Operational Base + offset (0x1058)

Bit	Attr	Reset Value	Description
31:16	RW	0x0000	cvt_scale2 CVT scale 2. Multiplier operand for 3rd channel.

Bit	Attr	Reset Value	Description
15:0	RW	0x0000	cvt_offset2 CVT offset 2. Adder operand for 3rd channel.

**RKNN cna cvt con4**

Address: Operational Base + offset (0x105C)

Bit	Attr	Reset Value	Description
31:16	RW	0x0000	cvt_scale3 CVT scale 3. Multiplier operand for 4th channel.
15:0	RW	0x0000	cvt_offset3 CVT offset 3. Adder operand for 4th channel.

**RKNN cna fc con0**

Address: Operational Base + offset (0x1060)

Bit	Attr	Reset Value	Description
31:16	RW	0x0000	fc_skip_data FC zero skipping data Skipped feature data value, normally set to 0.
15:1	RO	0x0000	reserved
0	RW	0x0	fc_skip_en FC zero skipping enable 1'd0: Disable; 1'd1: Enable skip some feature data value, normally skip zero. When one pixel feature data is 0, the corresponding weight data is not fetched from system memory.

**RKNN cna fc con1**

Address: Operational Base + offset (0x1064)

Bit	Attr	Reset Value	Description
31:17	RO	0x0000	reserved
16:0	RW	0x00000	data_offset FC zero skipping data offset. Feature data offset in fc skip mode.

**RKNN cna pad con0**

Address: Operational Base + offset (0x1068)

Bit	Attr	Reset Value	Description
31:8	RO	0x000000	reserved
7:4	RW	0x0	pad_left Pad left Pad numbers in left of the feature map.

Bit	Attr	Reset Value	Description
3:0	RW	0x0	pad_top PAD top Pad numbers in top of the feature map.

**RKNN cna feature data addr**

Address: Operational Base + offset (0x1070)

Bit	Attr	Reset Value	Description
31:0	RW	0x00000000	feature_base_addr Feature data address.

**RKNN cna fc con2**

Address: Operational Base + offset (0x1074)

Bit	Attr	Reset Value	Description
31:17	RO	0x0000	reserved
16:0	RW	0x00000	weight_offset Weight data address.

**RKNN cna dma con0**

Address: Operational Base + offset (0x1078)

Bit	Attr	Reset Value	Description
31	RW	0x0	ov4k_bypass Separate the burst command of over 4k to 2 independent burst commands. 1'd0: Enable this feature; 1'd1: Bypass this feature.
30:20	RO	0x000	reserved
19:16	RW	0x0	weight_burst_len AXI burst length for weight data DMA. 4'd3: Burst length is 4; 4'd7: Burst length is 8; 4'd15: Burst length is 16.
15:4	RO	0x000	reserved
3:0	RW	0x0	data_burst_len AXI burst length for feature data DMA. 4'd3: Burst length is 4; 4'd7: Burst length is 8; 4'd15: Burst length is 16.

**RKNN cna dma con1**

Address: Operational Base + offset (0x107C)

Bit	Attr	Reset Value	Description
31:28	RO	0x0	reserved
27:0	RW	0x0000000	line_stride Line stride Feature width with Virtual box.

**RKNN cna dma con2**

Address: Operational Base + offset (0x1080)

Bit	Attr	Reset Value	Description
31:28	RO	0x0	reserved
27:0	RW	0x0000000	surf_stride Surface stride Feature map actual surface area.

**RKNN cna fc data size0**

Address: Operational Base + offset (0x1084)

Bit	Attr	Reset Value	Description
31:30	RO	0x0	reserved
29:16	RW	0x0000	dma_width Feature input width for AXI DMA.
15:11	RO	0x00	reserved
10:0	RW	0x000	dma_height Feature input height for AXI DMA.

**RKNN cna fc data size1**

Address: Operational Base + offset (0x1088)

Bit	Attr	Reset Value	Description
31:16	RO	0x0000	reserved
15:0	RW	0x0000	dma_channel Feature input channel for AXI DMA.

**RKNN cna clk gate**

Address: Operational Base + offset (0x1090)

Bit	Attr	Reset Value	Description
31:5	RO	0x0000000	reserved
4	RW	0x0	cbuf_cs_disable_clkgate Cache auto gating. 1'd0: Auto clock gate is enabled; 1'd1: Disable CBUF clock auto gate.
3	RO	0x0	reserved
2	RW	0x0	csc_disable_clkgate Sequence scan auto gating. 1'd0: Auto clock gate is enabled; 1'd1: Disable csc block clock gate.
1	RW	0x0	cna_weight_disable_clkgate Weight fetch auto gating. 1'd0: Auto clock gate is enabled; 1'd1: Disable weight block clock gate.

Bit	Attr	Reset Value	Description
0	RW	0x0	cna_feature_disable_clkgate Feature fetch auto gating. 1'd0: Auto clock gate is enabled; 1'd1: Disable feature block clock gate.

**RKNN cna dcomp ctrl**

Address: Operational Base + offset (0x1100)

Bit	Attr	Reset Value	Description
31:4	RO	0x0000000	reserved
3	RW	0x0	wt_dec_bypass Bypass weight decompress.
2:0	RW	0x0	dcomp_control Control register for weight decompress.

**RKNN cna dcomp regnum**

Address: Operational Base + offset (0x1104)

Bit	Attr	Reset Value	Description
31:0	RW	0x00000000	dcomp_regnum Weight decompress register number.

**RKNN cna dcomp addr0**

Address: Operational Base + offset (0x1110)

Bit	Attr	Reset Value	Description
31:4	RW	0x0000000	decompress_addr0 Base address of the weight.
3:0	RO	0x0	reserved

**RKNN cna dcomp amount0**

Address: Operational Base + offset (0x1140)

Bit	Attr	Reset Value	Description
31:0	RW	0x00000000	dcomp_amount0 Amount of the weight decompress for the 0 decompress.

**RKNN cna dcomp amount1**

Address: Operational Base + offset (0x1144)

Bit	Attr	Reset Value	Description
31:0	RW	0x00000000	dcomp_amount1 Amount of the weight decompress for the 1 decompress.

**RKNN cna dcomp amount2**

Address: Operational Base + offset (0x1148)

Bit	Attr	Reset Value	Description
31:0	RW	0x00000000	dcomp_amount2 Amount of the weight decompress for the 2 decompress.

**RKNN cna dcomp amount3**

Address: Operational Base + offset (0x114C)

Bit	Attr	Reset Value	Description
31:0	RW	0x00000000	dcomp_amount3 Amount of the weight decompress for the 3 decompress.

**RKNN cna dcomp amount4**

Address: Operational Base + offset (0x1150)

Bit	Attr	Reset Value	Description
31:0	RW	0x00000000	dcomp_amount4 Amount of the weight decompress for the 4 decompress.

**RKNN cna dcomp amount5**

Address: Operational Base + offset (0x1154)

Bit	Attr	Reset Value	Description
31:0	RW	0x00000000	dcomp_amount5 Amount of the weight decompress for the 5 decompress.

**RKNN cna dcomp amount6**

Address: Operational Base + offset (0x1158)

Bit	Attr	Reset Value	Description
31:0	RW	0x00000000	dcomp_amount6 Amount of the weight decompress for the 6 decompress.

**RKNN cna dcomp amount7**

Address: Operational Base + offset (0x115C)

Bit	Attr	Reset Value	Description
31:0	RW	0x00000000	dcomp_amount7 Amount of the weight decompress for the 7 decompress.

**RKNN cna dcomp amount8**

Address: Operational Base + offset (0x1160)

Bit	Attr	Reset Value	Description
31:0	RW	0x00000000	dcomp_amount8 Amount of the weight decompress for the 8 decompress.

**RKNN cna dcomp amount9**

Address: Operational Base + offset (0x1164)

Bit	Attr	Reset Value	Description
31:0	RW	0x00000000	dcomp_amount9 Amount of the weight decompress for the 9 decompress.

**RKNN cna dcomp amount10**

Address: Operational Base + offset (0x1168)



**RKRK3588 TRM-Part1**

Bit	Attr	Reset Value	Description
31:0	RW	0x00000000	dcomp_amount10 Amount of the weight decompress for the 10 decompress.

**RKNN cna dcomp amount11**

Address: Operational Base + offset (0x116C)

Bit	Attr	Reset Value	Description
31:0	RW	0x00000000	dcomp_amount11 Amount of the weight decompress for the 11 decompress.

**RKNN cna dcomp amount12**

Address: Operational Base + offset (0x1170)

Bit	Attr	Reset Value	Description
31:0	RW	0x00000000	dcomp_amount12 Amount of the weight decompress for the 12 decompress.

**RKNN cna dcomp amount13**

Address: Operational Base + offset (0x1174)

Bit	Attr	Reset Value	Description
31:0	RW	0x00000000	dcomp_amount13 Amount of the weight decompress for the 13 decompress.

**RKNN cna dcomp amount14**

Address: Operational Base + offset (0x1178)

Bit	Attr	Reset Value	Description
31:0	RW	0x00000000	dcomp_amount14 Amount of the weight decompress for the 14 decompress.

**RKNN cna dcomp amount15**

Address: Operational Base + offset (0x117C)

Bit	Attr	Reset Value	Description
31:0	RW	0x00000000	dcomp_amount15 Amount of the weight decompress for the 15 decompress.

**RKNN cna cvt con5**

Address: Operational Base + offset (0x1180)

Bit	Attr	Reset Value	Description
31:0	RW	0x00000000	per_channel_cvt_en convert enable. Per channel enable CVT function. Int 4 has 32 channels in total for 128 bits. Int 8 16 channel...

**RKNN cna pad con1**

Address: Operational Base + offset (0x1184)

Bit	Attr	Reset Value	Description
31:0	RW	0x00000000	pad_value Pad value.

**RKNN core s status**

Address: Operational Base + offset (0x3000)

Bit	Attr	Reset Value	Description
31:18	RO	0x0000	reserved
17:16	RO	0x0	status_1 Executer 1 status. 2'd0: Executer 1 is in idle state; 2'd1: Executer 1 is operating; 2'd2: Executer 1 is operating, executer 1 is waiting to operate; 2'd3: Reserved.
15:2	RO	0x0000	reserved
1:0	RO	0x0	status_0 Executer 0 status. 2'd0: Executer 0 is in idle state; 2'd1: Executer 0 is operating; 2'd2: Executer 0 is operating, executer 1 is waiting to operate; 2'd3: Reserved.

**RKNN core s pointer**

Address: Operational Base + offset (0x3004)

Bit	Attr	Reset Value	Description
31:17	RO	0x0000	reserved
16	RO	0x0	executer Which register group to be used. 1'd0: Executer group 0; 1'd1: Executer group 1.
15:6	RO	0x0000	reserved
5	W1 C	0x0	executer_pp_clear Clear executer group pointer. Set this bit to 1 to clear pointer to 0.
4	W1 C	0x0	pointer_pp_clear Clear register group pointer. Set this bit to 1 to clear pointer to 0.
3	RW	0x0	pointer_pp_mode Register group ping-pong mode. 1'd0: Pointer ping-pong by executer; eg. if current executer is 0, next pointer will toggle to 1; 1'd1: Pointer ping-pong by pointer; eg. if current pointer is 0, next pointer will toggle to 1.

Bit	Attr	Reset Value	Description
2	RW	0x0	executer_pp_en Executer group ping-pong enable. 1'd0: Disable; 1'd1: Enable.
1	RW	0x0	pointer_pp_en Register group ping-pong enable. 1'd0: Disable; 1'd1: Enable.
0	RW	0x0	pointer Which register group ready to be set. 1'd0: Register group 0; 1'd1: Register group 1.

**RKNN core operation enable**

Address: Operational Base + offset (0x3008)

Bit	Attr	Reset Value	Description
31:1	RO	0x00000000	reserved
0	RW	0x0	op_en Set this register will trigger core block operate. This register and after this are all shadowed for ping-pong operation. 1'd0: Disable; 1'd1: Enable.

**RKNN core mac gating**

Address: Operational Base + offset (0x300C)

Bit	Attr	Reset Value	Description
31:27	RO	0x00	reserved
26:0	RW	0x7800800	slcg_op_en Soft clock gating signals.

**RKNN core misc cfg**

Address: Operational Base + offset (0x3010)

Bit	Attr	Reset Value	Description
31:20	RO	0x000	reserved
19:14	RW	0x00	soft_gating Accumulate soft gating signal.
13:11	RO	0x0	reserved

Bit	Attr	Reset Value	Description
10:8	RW	0x0	proc_precision Process precision 3'd0: Input precision is int 8; 3'd1: Input data precision is int 16; 3'd2: Input data precision is float 16; 3'd3: Input data precision is bfloat 16; 3'd4: Reserved; 3'd5: Reserved; 3'd6: Input data precision is int4; 3'd7: Input data precision is tf32.
7:2	RO	0x00	reserved
1	RW	0x0	dw_en Depthwise enable 1'd0: Disable; 1'd1: Depthwise mode enable.
0	RW	0x0	qd_en Quantify feature data calculate enable 1'd0: Disable; 1'd1: Enable.

**RKNN core dataout size 0**

Address: Operational Base + offset (0x3014)

Bit	Attr	Reset Value	Description
31:16	RW	0x0000	dataout_height Data out height Data height after activation.
15:0	RW	0x0000	dataout_width Data out width. Data width after activation.

**RKNN core dataout size 1**

Address: Operational Base + offset (0x3018)

Bit	Attr	Reset Value	Description
31:16	RO	0x0000	reserved
15:0	RW	0x0000	dataout_channel Data out channel number Data channel number after activation.

**RKNN core clip truncate**

Address: Operational Base + offset (0x301C)

Bit	Attr	Reset Value	Description
31:7	RO	0x0000000	reserved

Bit	Attr	Reset Value	Description
6	RW	0x0	round_type Rounding type 1'b0: Odd in, even not; 1'b1: Round-up 0.5 to 1.
5	RO	0x0	reserved
4:0	RW	0x00	clip_truncate Truncate bits number.

**RKNN dpu s status**

Address: Operational Base + offset (0x4000)

Bit	Attr	Reset Value	Description
31:18	RO	0x0000	reserved
17:16	RO	0x0	status_1 Executer 1 status. 2'd0: Executer 1 is in idle state; 2'd1: Executer 1 is operating; 2'd2: Executer 1 is operating, executer 1 is waiting to operate; 2'd3: Reserved.
15:2	RO	0x0000	reserved
1:0	RO	0x0	status_0 Executer 0 status. 2'd0: Executer 0 is in idle state; 2'd1: Executer 0 is operating; 2'd2: Executer 0 is operating, executer 1 is waiting to operate; 2'd3: Reserved.

**RKNN dpu s pointer**

Address: Operational Base + offset (0x4004)

Bit	Attr	Reset Value	Description
31:17	RO	0x0000	reserved
16	RO	0x0	executer Which register group to be used. 1'd0: Executer group 0; 1'd1: Executer group 1.
15:6	RO	0x000	reserved
5	W1 C	0x0	executer_pp_clear Clear executer group pointer. Set this bit to 1 to clear pointer to 0.
4	W1 C	0x0	pointer_pp_clear Clear register group pointer. Set this bit to 1 to clear pointer to 0.

Bit	Attr	Reset Value	Description
3	RW	0x0	pointer_pp_mode Register group ping-pong mode. 1'd0: Pointer ping-pong by executer; eg. if current executer is 0, next pointer will toggle to 1; 1'd1: Pointer ping-pong by pointer; eg. if current pointer is 0, next pointer will toggle to 1.
2	RW	0x0	executer_pp_en Executer group ping-pong enable. 1'd0: Disable; 1'd1: Enable.
1	RW	0x0	pointer_pp_en Register group ping-pong enable. 1'd0: Disable; 1'd1: Enable.
0	RW	0x0	pointer Which register group ready to be set. 1'd0: Register group 0; 1'd1: Register group 1.

**RKNN dpu operation enable**

Address: Operational Base + offset (0x4008)

Bit	Attr	Reset Value	Description
31:1	RO	0x00000000	reserved
0	RW	0x0	op_en Set this register will trigger DPU block operate. This register and after this are all shadowed for ping-pong operation. 1'd0: Disable; 1'd1: Enable.

**RKNN dpu feature mode cfg**

Address: Operational Base + offset (0x400C)

Bit	Attr	Reset Value	Description
31	RW	0x0	comb_use Combine use, same as DPU_RDMA comb_use[0].
30	RW	0x0	tp_en If enable transpose.
29:26	RW	0x0	rgp_type Regroup type. 4'd0: Cut all input (128bit); 4'd1: Cut 4bit; 4'd2: Cut 8bit; 4'd3: Cut 16bit; 4'd4: Cut 32bit; 4'd5: Cut 64bit.

Bit	Attr	Reset Value	Description
25	RW	0x0	nonalign If non-align mode is enabled. If the output data flow is the same as the input data flow, this mode can be used.
24:9	RW	0x0000	surf_len In non-align mode, how many 8bytes to be stored.
8:5	RW	0x0	burst_len Burst length. 4'd3: Burst4; 4'd7: Burst8; 4'd15: Burst16.
4:3	RW	0x0	conv_mode Convolution mode. 2'd0: Normal convolution mode; 2'd1: Reserved; 2'd2: Reserved; 2'd3: Depthwise convolution mode.
2:1	RW	0x0	output_mode Where the DPU core output goes. [0]: If the output goes to PPU, high is active; [1]: If the output goes to outside, high is active.
0	RW	0x0	flying_mode Flying mode enable. 1'd0: DPU core main data is from convolution output; 1'd1: DPU core main data is from MRDMA;

**RKNN dpu data format**

Address: Operational Base + offset (0x4010)

Bit	Attr	Reset Value	Description
31:29	RW	0x0	out_precision Output precision. 3'd0: Integer 8bit; 3'd1: Integer 16bit; 3'd2: Float point 16bit; 3'd3: Bfloat 16bit; 3'd4: Integer 32bit; 3'd5: Float point 32bit; 3'd6: Integer 4bit.

Bit	Attr	Reset Value	Description
28:26	RW	0x0	in_precision Input precision same with DPU_RDMA. 3'd0: Integer 8bit; 3'd1: Integer 16bit; 3'd2: Float point 16bit; 3'd3: Bfloat 16bit; 3'd4: Integer 32bit; 3'd5: Float point 32bit; 3'd6: Integer 4bit.
25:16	RW	0x000	ew_truncate_neg Shift value in EW core for negative data.
15:10	RW	0x00	bn_mul_shift_value_neg Shift value in BN core for negative data.
9:4	RW	0x00	bs_mul_shift_value_neg Shift value in BS core for negative data.
3	RW	0x0	mc_surf_out How many surfaces serial the DPU output. 1'd0: Output feature obey the rule of 16byte align for one pixel; 1'd1: Output feature can output 2 surface serial or 4 surf serials.
2:0	RW	0x0	proc_precision Proc precision. 3'd0: Integer 8bit; 3'd1: Integer 16bit; 3'd2: Float point 16bit; 3'd3: Bfloat 16bit; 3'd4: Integer 32bit; 3'd5: Float point 32bit; 3'd6: Integer 4bit.

**RKNN dpu offset pend**

Address: Operational Base + offset (0x4014)

Bit	Attr	Reset Value	Description
31:16	RO	0x0000	reserved
15:0	RW	0x0000	offset_pend What value the extra channel be set.

**RKNN dpu dst base addr**

Address: Operational Base + offset (0x4020)

Bit	Attr	Reset Value	Description
31:4	RW	0x0000000	dst_base_addr Destination base address.
3:0	RO	0x0	reserved

**RKNN dpu dst surf stride**

Address: Operational Base + offset (0x4024)



Bit	Attr	Reset Value	Description
31:4	RW	0x0000000	dst_surf_stride Output shape surface stride.
3:0	RO	0x0	reserved

**RKNN dpu data cube width**

Address: Operational Base + offset (0x4030)

Bit	Attr	Reset Value	Description
31:13	RO	0x00000	reserved
12:0	RW	0x0000	width Width of the input cube.

**RKNN dpu data cube height**

Address: Operational Base + offset (0x4034)

Bit	Attr	Reset Value	Description
31:25	RO	0x00	reserved
24:22	RW	0x0	minmax_ctl Configuration of the minmax op. [0]: Enable minmax op; [1]: Minmax type; [2]: Probability only.
21:13	RO	0x000	reserved
12:0	RW	0x0000	height Height of the input cube.

**RKNN dpu data cube notch addr**

Address: Operational Base + offset (0x4038)

Bit	Attr	Reset Value	Description
31:29	RO	0x0	reserved
28:16	RW	0x0000	notch_addr_1 How many pixels from the end of width to the end of the shape line end.
15:13	RO	0x0	reserved
12:0	RW	0x0000	notch_addr_0 How many pixels from the end of width to the end of the shape line end.

**RKNN dpu data cube channel**

Address: Operational Base + offset (0x403C)

Bit	Attr	Reset Value	Description
31:29	RO	0x0	reserved
28:16	RW	0x0000	orig_channel Original output channel.
15:13	RO	0x0	reserved

Bit	Attr	Reset Value	Description
12:0	RW	0x0000	channel Cube channel.

**RKNN dpu bs cfg**

Address: Operational Base + offset (0x4040)

Bit	Attr	Reset Value	Description
31:20	RO	0x000	reserved
19:16	RW	0x0	bs_alu_algo BS core ALU op type. 4'd0: Reserved; 4'd1: Reserved; 4'd2: Add 4'd3: Reserved; 4'd4: Minus; 4'd5: Reserved; 4'd6: Reserved; 4'd7: Reserved; 4'd8: Reserved.
15:9	RO	0x00	reserved
8	RW	0x0	bs_alu_src Where the ALU operand from. 1'd0: From configure register; 1'd1: From outside.
7	RW	0x0	bs_relux_en If enable RELUX. 1'd0: Disable; 1'd1: Enable.
6	RW	0x0	bs_relu_bypass If bypass BS core RELU op. 1'd0: Do not bypass; 1'd1: Bypass.
5	RW	0x0	bs_mul_prelu If enable MUL PRELU. 1'd0: Disable; 1'd1: Enable.
4	RW	0x0	bs_mul_bypass If bypass BS core MUL op. 1'd0: Do not bypass; 1'd1: Bypass.
3:2	RO	0x0	reserved
1	RW	0x0	bs_alu_bypass If bypass BS core ALU op. 1'd0: Do not bypass; 1'd1: Bypass.

Bit	Attr	Reset Value	Description
0	RW	0x0	bs_bypass If bypass BS core. 1'd0: Do not bypass bs core; 1'd1: Bypass bs core.

**RKNN dpu bs alu cfg**

Address: Operational Base + offset (0x4044)

Bit	Attr	Reset Value	Description
31:0	RW	0x00000000	bs_alu_operand Bs core ALU operand.

**RKNN dpu bs mul cfg**

Address: Operational Base + offset (0x4048)

Bit	Attr	Reset Value	Description
31:16	RW	0x0000	bs_mul_operand BS core MUL operand.
15:14	RO	0x0	reserved
13:8	RW	0x00	bs_mul_shift_value Shift value in BS core for positive data.
7:2	RO	0x00	reserved
1	RW	0x0	bs_truncate_src Where the shift value from. 1'd0: From configure register; 1'd1: From outside.
0	RW	0x0	bs_mul_src Where the MUL operand from. 1'd0: From configure register; 1'd1: From outside.

**RKNN dpu bs relax cmp value**

Address: Operational Base + offset (0x404C)

Bit	Attr	Reset Value	Description
31:0	RW	0x00000000	bs_relux_cmp_dat Value of the RELUX compare with.

**RKNN dpu bs ow cfg**

Address: Operational Base + offset (0x4050)

Bit	Attr	Reset Value	Description
31:28	RW	0x0	rgp_cnter Regroup counter. 4'd0: Select all data; 4'd1: Select 1 from every 2; 4'd2: Select 1 from every 4; 4'd3: Select 1 from every 8; Else: Reserved.

**RKRK3588 TRM-Part1**

Bit	Attr	Reset Value	Description
27	RW	0x0	tp_org_en If enable original transpose. 1'd0: Disable; 1'd1: Enable.
26:11	RO	0x0000	reserved
10:8	RW	0x0	size_e_2 How many 8 channels in a row the last output line (minus 1).
7:5	RW	0x0	size_e_1 How many 8 channels in a row the middle output line (minus 1).
4:2	RW	0x0	size_e_0 How many 8 channels in a row the first output line (minus 1).
1	RW	0x0	od_bypass If bypass CPEND. 1'd0: Do not bypass; 1'd1: Bypass.
0	RW	0x0	ow_src Where the CPEND operand from. 1'd0: From configure register; 1'd1: From outside.

**RKNN dpu bs ow op**

Address: Operational Base + offset (0x4054)

Bit	Attr	Reset Value	Description
31:16	RO	0x0000	reserved
15:0	RW	0x0000	ow_op CPEND operand.

**RKNN dpu wdma size 0**

Address: Operational Base + offset (0x4058)

Bit	Attr	Reset Value	Description
31:28	RO	0x0	reserved
27	RW	0x0	tp_precision Transpose precision. 1'd0: 8bit; 1'd1: 16bit.
26:16	RW	0x000	size_c_wdma Size_c for DPU_WDMA.
15:13	RO	0x0	reserved
12:0	RW	0x0000	channel_wdma Channel for DPU_WDMA.

**RKNN dpu wdma size 1**

Address: Operational Base + offset (0x405C)

Bit	Attr	Reset Value	Description
31:29	RO	0x0	reserved
28:16	RW	0x0000	height_wdma Height for DPU_WDMA.
15:13	RO	0x0	reserved
12:0	RW	0x0000	width_wdma Width for DPU_WDMA.

**RKNN\_dpu\_bn\_cfg**

Address: Operational Base + offset (0x4060)

Bit	Attr	Reset Value	Description
31:20	RO	0x000	reserved
19:16	RW	0x0	bn_alu_algo BS core ALU op type. 4'd0: Reserved; 4'd1: Reserved; 4'd2: Add 4'd3: Reserved; 4'd4: Minus; 4'd5: Reserved; 4'd6: Reserved; 4'd7: Reserved; 4'd8: Reserved.
15:9	RO	0x00	reserved
8	RW	0x0	bn_alu_src Where the ALU operand from 1'd0: From configure register; 1'd1: From outside.
7	RW	0x0	bn_relux_en If enable RELUX. 1'd0: Disable; 1'd1: Enable.
6	RW	0x0	bn_relu_bypass If bypass BN core RELU op. 1'd0: Do not bypass; 1'd1: Bypass.
5	RW	0x0	bn_mul_prelu If enable MUL PRELU. 1'd0: Disable; 1'd1: Enable.
4	RW	0x0	bn_mul_bypass If bypass BN core MUL op. 1'd0: Do not bypass; 1'd1: Bypass.
3:2	RO	0x0	reserved

Bit	Attr	Reset Value	Description
1	RW	0x0	bn_alu_bypass If bypass BN core ALU op. 1'd0: Do not bypass; 1'd1: Bypass.
0	RW	0x0	bn_bypass If bypass BN core. 1'd0: Do not bypass BN core; 1'd1: Bypass BN core.

**RKNN dpu bn alu cfg**

Address: Operational Base + offset (0x4064)

Bit	Attr	Reset Value	Description
31:0	RW	0x00000000	bn_alu_operand BN core ALU operand.

**RKNN dpu bn mul cfg**

Address: Operational Base + offset (0x4068)

Bit	Attr	Reset Value	Description
31:16	RW	0x0000	bn_mul_operand BN core MUL operand.
15:14	RO	0x0	reserved
13:8	RW	0x00	bn_mul_shift_value Shift value in BN core for positive data.
7:2	RO	0x00	reserved
1	RW	0x0	bn_truncate_src Where the shift value from 1'd0: From configure register; 1'd1: From outside.
0	RW	0x0	bn_mul_src Where the MUL operand from. 1'd0: From configure register; 1'd1: From outside.

**RKNN dpu bn relux cmp value**

Address: Operational Base + offset (0x406C)

Bit	Attr	Reset Value	Description
31:0	RW	0x00000000	bn_relux_cmp_dat RELUX compare data in BN core.

**RKNN dpu ew cfg**

Address: Operational Base + offset (0x4070)

Bit	Attr	Reset Value	Description
31	RW	0x0	ew_cvt_type Convert type of EW input convert when if 0.5 1'd0: Mul first; 1'd1: Add first.
30	RW	0x0	ew_cvt_round Rounding type of EW input convert when if 0.5 1'd0: If the integer is odd, carry 1; 1'd1: Carry 1 no matter what the integer is.
29:28	RW	0x0	ew_data_mode Data mode of the data from ERDMA.
27:24	RO	0x0	reserved
23:22	RW	0x0	edata_size Data size of the cube from ERDMA. 2'd0: 4bit; 2'd1: 8bit; 2'd2: 16bit; 2'd3: 32bit.
21	RW	0x0	ew_equal_en Min max equal enable. 1'd0: Disable; 1'd1: Enable.
20	RW	0x0	ew_binary_en Min max binary enable. 1'd0: Disable; 1'd1: Enable.
19:16	RW	0x0	ew_alu_algo EW core ALU op type. 4'd0: Max; 4'd1: Min; 4'd2: Add; 4'd3: Div; 4'd4: Minus; 4'd5: Abs; 4'd6: Neg; 4'd7: Floor; 4'd8: Ceil.
15:11	RO	0x00	reserved
10	RW	0x0	ew_relux_en If enable RELUX. 1'd0: Disable; 1'd1: Enable.
9	RW	0x0	ew_relu_bypass If bypass EW core RELU op. 1'd0: Do not bypass; 1'd1: Bypass.

Bit	Attr	Reset Value	Description
8	RW	0x0	ew_op_cvt_bypass If bypass EW input converter. 1'd0: Do not bypass; 1'd1: Bypass.
7	RW	0x0	ew_lut_bypass If bypass LUT. 1'd0: Do not bypass; 1'd1: Bypass.
6	RW	0x0	ew_op_src Where the operand from 1'd0: From configure register; 1'd1: From outside.
5	RW	0x0	ew_mul_prelu If enable MUL PRELU. 1'd0: Disable; 1'd1: Enable.
4:3	RO	0x0	reserved
2	RW	0x0	ew_op_type Operator type. 1'd0: ALU; 1'd1: MUL.
1	RW	0x0	ew_op_bypass If bypass EW core ALU and MUL op. 1'd0: Do not bypass; 1'd1: Bypass.
0	RW	0x0	ew_bypass If bypass EW core. 1'd0: Do not bypass EW core; 1'd1: Bypass EW core.

**RKNN dpu ew cvt offset value**

Address: Operational Base + offset (0x4074)

Bit	Attr	Reset Value	Description
31:0	RW	0x00000000	ew_op_cvt_offset EW convert offset.

**RKNN dpu ew cvt scale value**

Address: Operational Base + offset (0x4078)

Bit	Attr	Reset Value	Description
31:22	RW	0x000	ew_truncate EW core shift value.
21:16	RW	0x00	ew_op_cvt_shift EW convert shift value.
15:0	RW	0x0000	ew_op_cvt_scale EW convert scale.



**RKNN dpu ew relax cmp value**

Address: Operational Base + offset (0x407C)

Bit	Attr	Reset Value	Description
31:0	RW	0x00000000	ew_relux_cmp_dat EW RELUX compare data.

**RKNN dpu out cvt offset**

Address: Operational Base + offset (0x4080)

Bit	Attr	Reset Value	Description
31:0	RW	0x00000000	out_cvt_offset Offset of the output converter.

**RKNN dpu out cvt scale**

Address: Operational Base + offset (0x4084)

Bit	Attr	Reset Value	Description
31:17	RO	0x0000	reserved
16	RW	0x0	fp32tofp16_en If enable output from fp32 to fp16. 1'd0: Disable; 1'd1: Enable.
15:0	RW	0x0000	out_cvt_scale Scale of the output converter.

**RKNN dpu out cvt shift**

Address: Operational Base + offset (0x4088)

Bit	Attr	Reset Value	Description
31	RW	0x0	cvt_type Convert type of out convert when if 0.5. 1'd0: MUL first; 1'd1: ALU first.
30	RW	0x0	cvt_round Rounding type of out convert when if 0.5. 1'd0: If the integer is odd, carry 1; 1'd1: Carry 1 no matter what the integer is.
29:20	RO	0x000	reserved
19:12	RW	0x00	minus_exp Minus exp of out CVT.
11:0	RW	0x000	out_cvt_shift Shift of the output converter.

**RKNN dpu ew op value 0**

Address: Operational Base + offset (0x4090)

Bit	Attr	Reset Value	Description
31:0	RW	0x00000000	ew_operand_0 The 1st EW operand for EW core op.

**RKNN dpu ew op value 1**

Address: Operational Base + offset (0x4094)

Bit	Attr	Reset Value	Description
31:0	RW	0x00000000	ew_operand_1 The 2nd EW operand for EW core op.

**RKNN dpu ew op value 2**

Address: Operational Base + offset (0x4098)

Bit	Attr	Reset Value	Description
31:0	RW	0x00000000	ew_operand_2 the 3thd EW operand for EW core op.

**RKNN dpu ew op value 3**

Address: Operational Base + offset (0x409C)

Bit	Attr	Reset Value	Description
31:0	RW	0x00000000	ew_operand_3 the 4th EW operand for EW core op.

**RKNN dpu ew op value 4**

Address: Operational Base + offset (0x40A0)

Bit	Attr	Reset Value	Description
31:0	RW	0x00000000	ew_operand_4 the 5th EW operand for EW core op.

**RKNN dpu ew op value 5**

Address: Operational Base + offset (0x40A4)

Bit	Attr	Reset Value	Description
31:0	RW	0x00000000	ew_operand_5 The 6th EW operand for EW core op.

**RKNN dpu ew op value 6**

Address: Operational Base + offset (0x40A8)

Bit	Attr	Reset Value	Description
31:0	RW	0x00000000	ew_operand_6 The 7th EW operand for EW core op.

**RKNN dpu ew op value 7**

Address: Operational Base + offset (0x40AC)

Bit	Attr	Reset Value	Description
31:0	RW	0x00000000	ew_operand_7 The 8th EW operand for EW core op.

**RKNN dpu surface add**

Address: Operational Base + offset (0x40C0)

Bit	Attr	Reset Value	Description
31:4	RW	0x0000000	surf_add How many surfaces in a row.
3:0	RO	0x0	reserved

**RKNN dpu lut access cfg**

Address: Operational Base + offset (0x4100)

Bit	Attr	Reset Value	Description
31:18	RO	0x0000	reserved
17	RW	0x0	lut_access_type Access type. 1'd0: Read; 1'd1: Write.
16	RW	0x0	lut_table_id Access Id. 1'd0: LE LUT; 1'd1: LO LUT.
15:10	RO	0x00	reserved
9:0	RW	0x000	lut_addr Access address.

**RKNN dpu lut access data**

Address: Operational Base + offset (0x4104)

Bit	Attr	Reset Value	Description
31:16	RO	0x0000	reserved
15:0	RW	0x0000	lut_access_data Configuration of LUT access data.

**RKNN dpu lut cfg**

Address: Operational Base + offset (0x4108)

Bit	Attr	Reset Value	Description
31:8	RO	0x0000000	reserved
7	RW	0x0	lut_cal_sel LUT calculate sel. Only useful when lut_expand_en is 1.
6	RW	0x0	lut_hybrid_priority LUT hybrid flow priority. 1'd0: LE LUT; 1'd1: LO LUT.
5	RW	0x0	lut_oflow_priority Priority when over flow happened. 1'd0: LE LUT; 1'd1: LO LUT.

Bit	Attr	Reset Value	Description
4	RW	0x0	lut_uflow_priority Priority when under flow happened. 1'd0: LE LUT; 1'd1: LO LUT.
3:2	RW	0x0	lut_lo_le_mux LO LUT and LE LUT mux.
1	RW	0x0	lut_expand_en If expand two small LUT to a larger LUT. 1'd0: Disable; 1'd1: Enable.
0	RW	0x0	lut_road_sel LUT road sel. 1'd0: 1st; 1'd1: 2nd.

**RKNN\_dpu\_lut\_info**

Address: Operational Base + offset (0x410C)

Bit	Attr	Reset Value	Description
31:24	RO	0x00	reserved
23:16	RW	0x00	lut_lo_index_select LUT LO index selected. Used in index generator, choose some bits to be the index.
15:8	RW	0x00	lut_le_index_select LUT LE index selected. Used in index generator, choose some bits to be the index.
7:0	RO	0x00	reserved

**RKNN\_dpu\_lut\_le\_start**

Address: Operational Base + offset (0x4110)

Bit	Attr	Reset Value	Description
31:0	RW	0x00000000	lut_le_start LE LUT start point.

**RKNN\_dpu\_lut\_le\_end**

Address: Operational Base + offset (0x4114)

Bit	Attr	Reset Value	Description
31:0	RW	0x00000000	lut_le_end LE LUT end point.

**RKNN\_dpu\_lut\_lo\_start**

Address: Operational Base + offset (0x4118)

Bit	Attr	Reset Value	Description
31:0	RW	0x00000000	lut_lo_start LO LUT start point.

**RKNN dpu lut lo end**

Address: Operational Base + offset (0x411C)

Bit	Attr	Reset Value	Description
31:0	RW	0x00000000	lut_lo_end LO LUT end point.

**RKNN dpu lut le slope scale**

Address: Operational Base + offset (0x4120)

Bit	Attr	Reset Value	Description
31:16	RW	0x0000	lut_le_slope_oflow_scale LE LUT slope scale if over flow.
15:0	RW	0x0000	lut_le_slope_uflow_scale LE LUT slope scale if under flow.

**RKNN dpu lut le slope shift**

Address: Operational Base + offset (0x4124)

Bit	Attr	Reset Value	Description
31:10	RO	0x000000	reserved
9:5	RW	0x00	lut_le_slope_oflow_shift LE LUT slope shift if over flow.
4:0	RW	0x00	lut_le_slope_uflow_shift LE LUT slope shift if under flow.

**RKNN dpu lut lo slope scale**

Address: Operational Base + offset (0x4128)

Bit	Attr	Reset Value	Description
31:16	RW	0x0000	lut_lo_slope_oflow_scale LO LUT slope scale if over flow.
15:0	RW	0x0000	lut_lo_slope_uflow_scale LO LUT slope scale if under flow.

**RKNN dpu lut lo slope shift**

Address: Operational Base + offset (0x412C)

Bit	Attr	Reset Value	Description
31:10	RO	0x000000	reserved
9:5	RW	0x00	lut_lo_slope_oflow_shift LO LUT slope shift if over flow.
4:0	RW	0x00	lut_lo_slope_uflow_shift LO LUT slope shift if under flow.

**RKNN dpu rdma s status**

Address: Operational Base + offset (0x5000)

Bit	Attr	Reset Value	Description
31:18	RO	0x0000	reserved

Bit	Attr	Reset Value	Description
17:16	RO	0x0	status_1 Executer 1 status. 2'd0: Executer 1 is in idle state; 2'd1: Executer 1 is operating; 2'd2: Executer 1 is operating, executer 1 is waiting to operate; 2'd3: Reserved.
15:2	RO	0x0000	reserved
1:0	RO	0x0	status_0 Executer 0 status. 2'd0: Executer 0 is in idle state; 2'd1: Executer 0 is operating; 2'd2: Executer 0 is operating, executer 1 is waiting to operate; 2'd3: Reserved.

**RKNN dpu rdma s pointer**

Address: Operational Base + offset (0x5004)

Bit	Attr	Reset Value	Description
31:17	RO	0x0000	reserved
16	RO	0x0	executer Which register group to be used. 1'd0: Executer group 0; 1'd1: Executer group 1.
15:6	RO	0x000	reserved
5	W1 C	0x0	executer_pp_clear Clear executer group pointer. Set this bit to 1 to clear pointer to 0.
4	W1 C	0x0	pointer_pp_clear Clear register group pointer. Set this bit to 1 to clear pointer to 0.
3	RW	0x0	pointer_pp_mode Register group ping-pong mode. 1'd0: Pointer ping-pong by executer; eg. if current executer is 0, next pointer will toggle to 1; 1'd1: Pointer ping-pong by pointer; eg. if current pointer is 0, next pointer will toggle to 1.
2	RW	0x0	executer_pp_en Executer group ping-pong enable. 1'd0: Disable; 1'd1: Enable.
1	RW	0x0	pointer_pp_en Register group ping-pong enable. 1'd0: Disable; 1'd1: Enable.

Bit	Attr	Reset Value	Description
0	RW	0x0	pointer Which register group ready to be set. 1'd0: Register group 0; 1'd1: Register group 1.

**RKNN dpu rdma operation enable**

Address: Operational Base + offset (0x5008)

Bit	Attr	Reset Value	Description
31:1	RO	0x00000000	reserved
0	RW	0x0	op_en Set this register will trigger DPU_RDMA block operate. This register and after this are all shadowed for ping-pong operation. 1'd0: Disable; 1'd1: Enable.

**RKNN dpu rdma data cube width**

Address: Operational Base + offset (0x500C)

Bit	Attr	Reset Value	Description
31:13	RO	0x00000	reserved
12:0	RW	0x0000	width Input feature width (need to minus 1).

**RKNN dpu rdma data cube height**

Address: Operational Base + offset (0x5010)

Bit	Attr	Reset Value	Description
31:29	RO	0x0	reserved
28:16	RW	0x0000	ew_line_notch_addr Line notch of EW.
15:13	RO	0x0	reserved
12:0	RW	0x0000	height Input feature height (need to minus 1).

**RKNN dpu rdma data cube channel**

Address: Operational Base + offset (0x5014)

Bit	Attr	Reset Value	Description
31:13	RO	0x00000	reserved
12:0	RW	0x0000	channel Input feature channel (need to minus 1).

**RKNN dpu rdma src base addr**

Address: Operational Base + offset (0x5018)

Bit	Attr	Reset Value	Description
31:0	RW	0x00000000	src_base_addr Fly mode source address.

**RKNN dpu rdma brdma cfg**

Address: Operational Base + offset (0x501C)

Bit	Attr	Reset Value	Description
31:5	RO	0x00000000	reserved
4:1	RW	0x0	brdma_data_use How many data type need to be read. [0]: If read ALU operand, set 1 to enable; [1]: If read CPEND operand, set 1 to enable; [2]: If read MUL operand, set 1 to enable; [3]: If read TRT operand, set 1 to enable.
0	RO	0x0	reserved

**RKNN dpu rdma bs base addr**

Address: Operational Base + offset (0x5020)

Bit	Attr	Reset Value	Description
31:0	RW	0x00000000	bs_base_addr Base address to read BS ALU, BS CPEND, BS MUL operand.

**RKNN dpu rdma nrdma cfg**

Address: Operational Base + offset (0x5028)

Bit	Attr	Reset Value	Description
31:5	RO	0x00000000	reserved
4:1	RW	0x0	nrdma_data_use How many data type need to be read. [0]: If read ALU operand, set 1 to enable; [1]: If read CPEND operand, set 1 to enable, (tie to 0, cause BN do not have CPEND); [2]: If read MUL operand, set 1 to enable; [3]: If read TRT operand, set 1 to enable.
0	RO	0x0	reserved

**RKNN dpu rdma bn base addr**

Address: Operational Base + offset (0x502C)

Bit	Attr	Reset Value	Description
31:0	RW	0x00000000	bn_base_addr Base address to read BN ALU, BN MUL operand.

**RKNN dpu rdma erdma cfg**

Address: Operational Base + offset (0x5034)



Bit	Attr	Reset Value	Description
31:30	RW	0x0	erdma_data_mode If the read data is per channel or per pixel 2'd0: Per channel; 2'd1: Per pixel; 2'd2: Per channel by pixel; 2'd3: Reserved.
29	RW	0x0	erdma_surf_mode Surface mode of the EW cube. 1'd0: 1 surface series; 1'd1: 2 surface series.
28	RW	0x0	erdma_nonalign If read the EW cube in non-align mode. 1'd0: Do not use non-align mode; 1'd1: Use non-align mode.
27:4	RO	0x000000	reserved
3:2	RW	0x0	erdma_data_size What the precision of the cube that the ERDMA read. 2'd0: 4bit; 2'd1: 8bit; 2'd2: 16bit; 2'd3: 32bit.
1	RW	0x0	ov4k_bypass Separate the burst command of over 4k to 2 independent burst commands. 1'd0: Enable this feature; 1'd1: Bypass this feature.
0	RW	0x0	erdma_disable If disable ERDMA. 1'd0: Do not disable ERDMA; 1'd1: Disable ERDMA.

**RKNN\_dpu\_rdma\_ew\_base\_addr**

Address: Operational Base + offset (0x5038)

Bit	Attr	Reset Value	Description
31:0	RW	0x00000000	ew_base_addr Base address to read EW operand.

**RKNN\_dpu\_rdma\_ew\_surf\_stride**

Address: Operational Base + offset (0x5040)

Bit	Attr	Reset Value	Description
31:4	RW	0x00000000	ew_surf_stride The surface stride of the element wise feature map; If erdma_data_mode is per channel, it need set to be 1.
3:0	RO	0x0	reserved

**RKNN dpu rdma feature mode cfg**

Address: Operational Base + offset (0x5044)

Bit	Attr	Reset Value	Description
31:18	RO	0x0000	reserved
17:15	RW	0x0	in_precision Input data precision. 3'd0: Integer 8bit; 3'd1: Integer 16bit; 3'd2: Gloat point 16bit; 3'd3: Bfloat 16bit; 3'd4: Integer 32bit; 3'd5: Float point 32bit; 3'd6: Integer 4bit.
14:11	RW	0x0	burst_len Burst length. 4'd3: Burst4; 4'd7: Burst8; 4'd15: Burst16.
10:8	RW	0x0	comb_use [0]: If enable MRDMA and ERDMA to read the same data; [1]: Read the data to MRDMA; [2]: Read the data to ERDMA.
7:5	RW	0x0	proc_precision Process precision. 3'd0: Integer 8bit; 3'd1: Integer 16bit; 3'd2: Float point 16bit; 3'd3: Bfloat 16bit; 3'd4: Integer 32bit; 3'd5: Float point 32bit; 3'd6: Integer 4bit.
4	RW	0x0	mrdma_disable If disable MRDMA. 1'd0: Do not disable MRDMA; 1'd1: Disable MRDMA.
3	RW	0x0	mrdma_fp16tofp32_en If enable DPU input from fp16 to fp32.
2:1	RW	0x0	conv_mode Convolution mode. 2'd0: Dc; 2'd1: Reserved; 2'd2: Reserved; 2'd3: Depthwise.

Bit	Attr	Reset Value	Description
0	RW	0x0	flying_mode Flying mode enable. 1'd0: DPU core main data is from convolution output; 1'd1: DPU core main data is from MRDMA.

**RKNN dpu rdma src dma cfg**

Address: Operational Base + offset (0x5048)

Bit	Attr	Reset Value	Description
31:19	RW	0x0000	line_notch_addr How many pixels from the end of width end to the shape feature line end.
18:14	RO	0x00	reserved
13	RW	0x0	pooling_method Pooling method 1'd0: Average pooling (up sampling can use this mode); 1'd1: Min or max pooling.
12	RW	0x0	unpooling_en If enable un-pooling.
11:9	RW	0x0	kernel_stride_height Un-pooling kernel stride height (minus 1).
8:6	RW	0x0	kernel_stride_width Un-pooling kernel stride width (minus 1).
5:3	RW	0x0	kernel_height Un-pooling kernel height (minus 1).
2:0	RW	0x0	kernel_width Un-pooling kernel width (minus 1).

**RKNN dpu rdma surf notch**

Address: Operational Base + offset (0x504C)

Bit	Attr	Reset Value	Description
31:4	RW	0x0000000	surf_notch_addr How many pixels from the end of this process feature map to the end of the shape feature map.
3:0	RO	0x0	reserved

**RKNN dpu rdma pad cfg**

Address: Operational Base + offset (0x5064)

Bit	Attr	Reset Value	Description
31:16	RW	0x0000	pad_value Pad value.
15:7	RO	0x000	reserved
6:4	RW	0x0	pad_top Un-pooling top pad.
3	RO	0x0	reserved

Bit	Attr	Reset Value	Description
2:0	RW	0x0	pad_left Un-pooling left pad.

**RKNN dpu rdma weight**

Address: Operational Base + offset (0x5068)

Bit	Attr	Reset Value	Description
31:24	RW	0x00	e_weight The arbiter weight for ERDMA.
23:16	RW	0x00	n_weight The arbiter weight for NRDMA.
15:8	RW	0x00	b_weight The arbiter weight for BRDMA.
7:0	RW	0x00	m_weight The arbiter weight for MRDMA.

**RKNN dpu rdma ew surf notch**

Address: Operational Base + offset (0x506C)

Bit	Attr	Reset Value	Description
31:4	RW	0x0000000	ew_surf_notch Surface notch of EW.
3:0	RO	0x0	reserved

**RKNN ppu s status**

Address: Operational Base + offset (0x6000)

Bit	Attr	Reset Value	Description
31:18	RO	0x0000	reserved
17:16	RO	0x0	status_1 Executer 1 status. 2'd0: Executer 1 is in idle state; 2'd1: Executer 1 is operating; 2'd2: Executer 1 is operating, executer 1 is waiting to operate; 2'd3: Reserved.
15:2	RO	0x0000	reserved
1:0	RO	0x0	status_0 Executer 0 status. 2'd0: Executer 0 is in idle state; 2'd1: Executer 0 is operating; 2'd2: Executer 0 is operating, executer 1 is waiting to operate; 2'd3: Reserved.

**RKNN ppu s pointer**

Address: Operational Base + offset (0x6004)

Bit	Attr	Reset Value	Description
31:17	RO	0x0000	reserved

Bit	Attr	Reset Value	Description
16	RO	0x0	executer Which register group to be used. 1'd0: Executer group 0; 1'd1: Executer group 1.
15:6	RO	0x000	reserved
5	W1 C	0x0	executer_pp_clear Clear executer group pointer. Set this bit to 1 to clear pointer to 0.
4	W1 C	0x0	pointer_pp_clear Clear register group pointer. Set this bit to 1 to clear pointer to 0.
3	RW	0x0	pointer_pp_mode Register group ping-pong mode. 1'd0: Pointer ping-pong by executer; eg. if current executer is 0, next pointer will toggle to 1; 1'd1: Pointer ping-pong by pointer; eg. if current pointer is 0, next pointer will toggle to 1.
2	RW	0x0	executer_pp_en Executer group ping-pong enable. 1'd0: Disable; 1'd1: Enable.
1	RW	0x0	pointer_pp_en Register group ping-pong enable. 1'd0: Disable; 1'd1: Enable.
0	RW	0x0	pointer Which register group ready to be set. 1'd0: Register group 0; 1'd1: Register group 1.

**RKNN ppu operation enable**

Address: Operational Base + offset (0x6008)

Bit	Attr	Reset Value	Description
31:1	RO	0x00000000	reserved
0	RW	0x0	op_en Set this register will trigger PPU block operate. This register and after this are all shadowed for ping-pong operation. 1'd0: Disable; 1'd1: Enable.

**RKNN ppu data cube in width**

Address: Operational Base + offset (0x600C)

Bit	Attr	Reset Value	Description
31:13	RO	0x00000	reserved

Bit	Attr	Reset Value	Description
12:0	RW	0x0000	cube_in_width Pooling cube width (need to minus 1).

**RKNN ppu data cube in height**

Address: Operational Base + offset (0x6010)

Bit	Attr	Reset Value	Description
31:13	RO	0x00000	reserved
12:0	RW	0x0000	cube_in_height Pooling cube height (need to minus 1).

**RKNN ppu data cube in channel**

Address: Operational Base + offset (0x6014)

Bit	Attr	Reset Value	Description
31:13	RO	0x00000	reserved
12:0	RW	0x0000	cube_in_channel Pooling cube channel (need to minus 1).

**RKNN ppu data cube out width**

Address: Operational Base + offset (0x6018)

Bit	Attr	Reset Value	Description
31:13	RO	0x00000	reserved
12:0	RW	0x0000	cube_out_width Pooling output cube width (need to minus 1).

**RKNN ppu data cube out height**

Address: Operational Base + offset (0x601C)

Bit	Attr	Reset Value	Description
31:13	RO	0x00000	reserved
12:0	RW	0x0000	cube_out_height Pooling output cube height (need to minus 1).

**RKNN ppu data cube out channel**

Address: Operational Base + offset (0x6020)

Bit	Attr	Reset Value	Description
31:13	RO	0x00000	reserved
12:0	RW	0x0000	cube_out_channel Pooling output cube channel (need to minus 1).

**RKNN ppu operation mode cfg**

Address: Operational Base + offset (0x6024)

Bit	Attr	Reset Value	Description
31	RO	0x0	reserved

Bit	Attr	Reset Value	Description
30	RW	0x0	index_en If enable output the position of each kernel. 1'd0: Disable; 1'd1: Enable.
29	RO	0x0	reserved
28:16	RW	0x0000	notch_addr How many pixels from the end of the width end to the shape line end.
15:8	RO	0x00	reserved
7:5	RW	0x0	use_cnt Use_cnt.
4	RW	0x0	flying_mode Where the pooling cube from. 1'd0: DPU; 1'd1: Outside.
3:2	RO	0x0	reserved
1:0	RW	0x0	pooling_method Pooling method. 2'd0: Average pooling; 2'd1: Max pooling; 2'd2: Min pooling; 2'd3: Reserved.

**RKNN\_ppu\_pooling\_kernel\_cfg**

Address: Operational Base + offset (0x6034)

Bit	Attr	Reset Value	Description
31:24	RO	0x00	reserved
23:20	RW	0x0	kernel_stride_height Pooling kernel stride height (need to minus 1).
19:16	RW	0x0	kernel_stride_width Pooling kernel stride width (need to minus 1).
15:12	RO	0x0	reserved
11:8	RW	0x0	kernel_height Pooling kernel height (need to minus 1).
7:4	RO	0x0	reserved
3:0	RW	0x0	kernel_width Pooling kernel width (need to minus 1).

**RKNN\_ppu\_recip\_kernel\_width**

Address: Operational Base + offset (0x6038)

Bit	Attr	Reset Value	Description
31:17	RO	0x0000	reserved
16:0	RW	0x00000	recip_kernel_width The Reciprocal of the shape kernel width multiple 2^16.

**RKNN ppu recip kernel height**

Address: Operational Base + offset (0x603C)

Bit	Attr	Reset Value	Description
31:17	RO	0x0000	reserved
16:0	RW	0x00000	recip_kernel_height The Reciprocal of the shape kernel height multiple 2 <sup>16</sup> .

**RKNN ppu pooling padding cfg**

Address: Operational Base + offset (0x6040)

Bit	Attr	Reset Value	Description
31:15	RO	0x00000	reserved
14:12	RW	0x0	pad_bottom Pooling bottom pad.
11	RO	0x0	reserved
10:8	RW	0x0	pad_right Pooling right pad.
7	RO	0x0	reserved
6:4	RW	0x0	pad_top Pooling top pad.
3	RO	0x0	reserved
2:0	RW	0x0	pad_left Pooling left pad.

**RKNN ppu padding value 1 cfg**

Address: Operational Base + offset (0x6044)

Bit	Attr	Reset Value	Description
31:0	RW	0x00000000	pad_value_0 Pad_value*1 [31:0].

**RKNN ppu padding value 2 cfg**

Address: Operational Base + offset (0x6048)

Bit	Attr	Reset Value	Description
31:3	RO	0x00000000	reserved
2:0	RW	0x0	pad_value_1 Pad_value*1 [34:32].

**RKNN ppu dst base addr**

Address: Operational Base + offset (0x6070)

Bit	Attr	Reset Value	Description
31:4	RW	0x0000000	dst_base_addr Base address the output cube goes.
3:0	RO	0x0	reserved

**RKNN ppu dst surf stride**

Address: Operational Base + offset (0x607C)



Bit	Attr	Reset Value	Description
31:4	RW	0x0000000	dst_surf_stride Output shape area.
3:0	RO	0x0	reserved

**RKNN ppu data format**

Address: Operational Base + offset (0x6084)

Bit	Attr	Reset Value	Description
31:4	RW	0x0000000	index_add If index_en enable, this register is dst_surface_stride x number of cube surface (every 8bytes per surface), else it equals to dst_surface_stride.
3	RW	0x0	dpu_flyin If the data from DPU, and DPU data is from outside, this bit set to be 1.
2:0	RW	0x0	proc_precision Process precision.

**RKNN ppu misc ctrl**

Address: Operational Base + offset (0x60DC)

Bit	Attr	Reset Value	Description
31:16	RW	0x0000	surf_len Surface count length.
15:9	RO	0x00	reserved
8	RW	0x0	mc_surf_out If enable multiple surfaces out. 1'd0: Disable; 1'd1: Enable.
7	RW	0x0	nonalign If enable non-align mode. 1'd0: Disable; 1'd1: Enable.
6:4	RO	0x0	reserved
3:0	RW	0x0	burst_len Burst length 4'd3: Burst4; 4'd7: Burst8; 4'd15: Burst16.

**RKNN ppu rdma s status**

Address: Operational Base + offset (0x7000)

Bit	Attr	Reset Value	Description
31:18	RO	0x0000	reserved

Bit	Attr	Reset Value	Description
17:16	RO	0x0	status_1 Executer 1 status. 2'd0: Executer 1 is in idle state; 2'd1: Executer 1 is operating; 2'd2: Executer 1 is operating, executer 1 is waiting to operate; 2'd3: Reserved.
15:2	RO	0x0000	reserved
1:0	RO	0x0	status_0 Executer 0 status. 2'd0: Executer 0 is in idle state; 2'd1: Executer 0 is operating; 2'd2: Executer 0 is operating, executer 1 is waiting to operate; 2'd3: Reserved.

**RKNN ppu rdma s pointer**

Address: Operational Base + offset (0x7004)

Bit	Attr	Reset Value	Description
31:17	RO	0x0000	reserved
16	RO	0x0	executer Which register group to be used. 1'd0: Executer group 0; 1'd1: Executer group 1.
15:6	RO	0x000	reserved
5	W1 C	0x0	executer_pp_clear Clear executer group pointer. Set this bit to 1 to clear pointer to 0.
4	W1 C	0x0	pointer_pp_clear Clear register group pointer. Set this bit to 1 to clear pointer to 0.
3	RW	0x0	pointer_pp_mode Register group ping-pong mode. 1'd0: Pointer ping-pong by executer; eg. if current executer is 0, next pointer will toggle to 1; 1'd1: Pointer ping-pong by pointer; eg. if current pointer is 0, next pointer will toggle to 1.
2	RW	0x0	executer_pp_en Executer group ping-pong enable. 1'd0: Disable; 1'd1: Enable.
1	RW	0x0	pointer_pp_en Register group ping-pong enable. 1'd0: Disable; 1'd1: Enable.

Bit	Attr	Reset Value	Description
0	RW	0x0	pointer Which register group ready to be set. 1'd0: Register group 0; 1'd1: Register group 1.

**RKNN ppu rdma operation enable**

Address: Operational Base + offset (0x7008)

Bit	Attr	Reset Value	Description
31:1	RO	0x00000000	reserved
0	RW	0x0	op_en Set this register will trigger PPU_RDMA block operate. This register and after this are all shadowed for ping-pong operation. 1'd0: Disable; 1'd1: Enable.

**RKNN ppu rdma cube in width**

Address: Operational Base + offset (0x700C)

Bit	Attr	Reset Value	Description
31:13	RO	0x00000	reserved
12:0	RW	0x0000	cube_in_width Pooling cube width (need to minus 1).

**RKNN ppu rdma cube in height**

Address: Operational Base + offset (0x7010)

Bit	Attr	Reset Value	Description
31:13	RO	0x00000	reserved
12:0	RW	0x0000	cube_in_height Pooling cube height (need to minus 1).

**RKNN ppu rdma cube in channel**

Address: Operational Base + offset (0x7014)

Bit	Attr	Reset Value	Description
31:13	RO	0x00000	reserved
12:0	RW	0x0000	cube_in_channel Pooling cube channel (need to minus 1).

**RKNN ppu rdma src base addr**

Address: Operational Base + offset (0x701C)

Bit	Attr	Reset Value	Description
31:0	RW	0x00000000	src_base_addr Base address of the pooling cube.

**RKNN ppu rdma src line stride**

Address: Operational Base + offset (0x7024)

Bit	Attr	Reset Value	Description
31:4	RW	0x0000000	src_line_stride Pooling cube shape width.
3:0	RO	0x0	reserved

**RKNN ppu rdma src surf stride**

Address: Operational Base + offset (0x7028)

Bit	Attr	Reset Value	Description
31:4	RW	0x0000000	src_surf_stride Pooling cube shape area.
3:0	RO	0x0	reserved

**RKNN ppu rdma data format**

Address: Operational Base + offset (0x7030)

Bit	Attr	Reset Value	Description
31:2	RO	0x00000000	reserved
1:0	RW	0x0	in_precision Input precision. 2'd0: 4bit; 2'd1: 8bit; 2'd2: 16bit; 2'd3: 32bit.

**RKNN ddma cfg outstanding**

Address: Operational Base + offset (0x8000)

Bit	Attr	Reset Value	Description
31:16	RO	0x0000	reserved
15:8	RW	0x00	wr_os_cnt Max numbers of write outstanding.
7:0	RW	0x00	rd_os_cnt Max numbers of read outstanding.

**RKNN ddma rd weight 0**

Address: Operational Base + offset (0x8004)

Bit	Attr	Reset Value	Description
31:24	RW	0x00	rd_weight_pdp Weight of PPU read burst.
23:16	RW	0x00	rd_weight_dpu Weight of DPU read burst.
15:8	RW	0x00	rd_weight_kernel Weight of read weight burst.
7:0	RW	0x00	rd_weight_feature Weight of read feature burst.

**RKNN ddma wr weight 0**

Address: Operational Base + offset (0x8008)

Bit	Attr	Reset Value	Description
31:16	RO	0x0000	reserved
15:8	RW	0x00	wr_weight_pdp Write_weight_ppu.
7:0	RW	0x00	wr_weight_dpu Write_weight_dpu.

**RKNN ddma cfg id error**

Address: Operational Base + offset (0x800C)

Bit	Attr	Reset Value	Description
31:10	RO	0x000000	reserved
9:6	RW	0x0	wr_resp_id Error write id.
5	RO	0x0	reserved
4:0	RW	0x00	rd_resp_id Error read id.

**RKNN ddma rd weight 1**

Address: Operational Base + offset (0x8010)

Bit	Attr	Reset Value	Description
31:8	RO	0x000000	reserved
7:0	RW	0x00	rd_weight_pc Weight of PC read burst.

**RKNN ddma cfg dma fifo clr**

Address: Operational Base + offset (0x8014)

Bit	Attr	Reset Value	Description
31:1	RO	0x00000000	reserved
0	RW	0x0	dma_fifo_clr Clear DMA FIFO.

**RKNN ddma cfg dma arb**

Address: Operational Base + offset (0x8018)

Bit	Attr	Reset Value	Description
31:10	RO	0x000000	reserved
9	RW	0x0	wr_arbit_model Write_arbit_model.
8	RW	0x0	rd_arbit_model Read_arbit_model.
7	RO	0x0	reserved
6:4	RW	0x0	wr_fix_arb Write_fix_arb.
3	RO	0x0	reserved
2:0	RW	0x0	rd_fix_arb Read_fix_arb.

**RKNN ddma cfg dma rd qos**

Address: Operational Base + offset (0x8020)

Bit	Attr	Reset Value	Description
31:10	RO	0x000000	reserved
9:8	RW	0x0	rd_pc_qos Read_pc_qos.
7:6	RW	0x0	rd_ppu_qos Read_ppu_qos.
5:4	RW	0x0	rd_dpu_qos Read_dpu_qos.
3:2	RW	0x0	rd_kernel_qos Read_kernel_qos.
1:0	RW	0x0	rd_feature_qos Read feature_qos.

**RKNN ddma cfg dma rd cfg**

Address: Operational Base + offset (0x8024)

Bit	Attr	Reset Value	Description
31:13	RO	0x000000	reserved
12	RW	0x0	rd_arlock Read_arlock.
11:8	RW	0x0	rd_arcache Read_arcache.
7:5	RW	0x0	rd_arprot Read_arprot.
4:3	RW	0x0	rd_arburst Read_arburst.
2:0	RW	0x0	rd_arsize Read_arsize.

**RKNN ddma cfg dma wr cfg**

Address: Operational Base + offset (0x8028)

Bit	Attr	Reset Value	Description
31:13	RO	0x000000	reserved
12	RW	0x0	wr_awlock Write_awlock.
11:8	RW	0x0	wr_awcache Write_awcache.
7:5	RW	0x0	wr_awprot Write_awprot.
4:3	RW	0x0	wr_awburst Write_awburst.
2:0	RW	0x0	wr_awsiz Write_awsiz.

**RKNN ddma cfg dma wstrb**

Address: Operational Base + offset (0x802C)

Bit	Attr	Reset Value	Description
31:0	RW	0x00000000	wr_wstrb Write_wstrb.

**RKNN ddma cfg status**

Address: Operational Base + offset (0x8030)

Bit	Attr	Reset Value	Description
31:9	RO	0x000000	reserved
8	RW	0x0	idel Idel.
7:0	RO	0x00	reserved

**RKNN sdma cfg outstanding**

Address: Operational Base + offset (0x9000)

Bit	Attr	Reset Value	Description
31:16	RO	0x0000	reserved
15:8	RW	0x00	wr_os_cnt Max numbers of write outstanding.
7:0	RW	0x00	rd_os_cnt Max numbers of read outstanding.

**RKNN sdma rd weight 0**

Address: Operational Base + offset (0x9004)

Bit	Attr	Reset Value	Description
31:24	RW	0x00	rd_weight_pdp Weight of PPU read burst.
23:16	RW	0x00	rd_weight_dpu Weight of DPU read burst.
15:8	RW	0x00	rd_weight_kernel Weight of read weight burst.
7:0	RW	0x00	rd_weight_feature Weight of read feature burst.

**RKNN sdma wr weight 0**

Address: Operational Base + offset (0x9008)

Bit	Attr	Reset Value	Description
31:16	RO	0x0000	reserved
15:8	RW	0x00	wr_weight_pdp Write_weight_ppu.
7:0	RW	0x00	wr_weight_dpu Write_weight_dpu.

**RKNN sdma cfg id error**

Address: Operational Base + offset (0x900C)

Bit	Attr	Reset Value	Description
31:10	RO	0x000000	reserved
9:6	RW	0x0	wr_resp_id Error write id.
5	RO	0x0	reserved
4:0	RW	0x00	rd_resp_id Error read id.

**RKNN\_sdma\_rd\_weight\_1**

Address: Operational Base + offset (0x9010)

Bit	Attr	Reset Value	Description
31:8	RO	0x000000	reserved
7:0	RW	0x00	rd_weight_pc Weight of PC read burst.

**RKNN\_sdma\_cfg\_dma\_fifo\_clr**

Address: Operational Base + offset (0x9014)

Bit	Attr	Reset Value	Description
31:1	RO	0x00000000	reserved
0	RW	0x0	dma_fifo_clr Clear DMA FIFO.

**RKNN\_sdma\_cfg\_dma\_arb**

Address: Operational Base + offset (0x9018)

Bit	Attr	Reset Value	Description
31:10	RO	0x000000	reserved
9	RW	0x0	wr_arbit_model Write_arbit_model.
8	RW	0x0	rd_arbit_model Read_arbit_model.
7	RO	0x0	reserved
6:4	RW	0x0	wr_fix_arb Write_fix_arb.
3	RO	0x0	reserved
2:0	RW	0x0	rd_fix_arb Read_fix_arb.

**RKNN\_sdma\_cfg\_dma\_rd\_qos**

Address: Operational Base + offset (0x9020)

Bit	Attr	Reset Value	Description
31:10	RO	0x000000	reserved
9:8	RW	0x0	rd_pc_qos Read_pc_qos.
7:6	RW	0x0	rd_ppu_qos Read_ppu_qos.



Bit	Attr	Reset Value	Description
5:4	RW	0x0	rd_dpu_qos Read_dpu_qos.
3:2	RW	0x0	rd_kernel_qos Read_kernel_qos.
1:0	RW	0x0	rd_feature_qos Read feature_qos.

**RKNN sdma cfg dma rd cfg**

Address: Operational Base + offset (0x9024)

Bit	Attr	Reset Value	Description
31:13	RO	0x00000	reserved
12	RW	0x0	rd_arlock Read_arlock.
11:8	RW	0x0	rd_arcache Read_arcache.
7:5	RW	0x0	rd_arprot Read_arprot.
4:3	RW	0x0	rd_arburst Read_arburst.
2:0	RW	0x0	rd_arsize Read_arsize.

**RKNN sdma cfg dma wr cfg**

Address: Operational Base + offset (0x9028)

Bit	Attr	Reset Value	Description
31:13	RO	0x00000	reserved
12	RW	0x0	wr_awlock Write_awlock.
11:8	RW	0x0	wr_awcache Write awcache.
7:5	RW	0x0	wr_awprot Write_awprot.
4:3	RW	0x0	wr_awburst Write_awburst.
2:0	RW	0x0	wr_awsiz Write_awsiz.

**RKNN sdma cfg dma wstrb**

Address: Operational Base + offset (0x902C)

Bit	Attr	Reset Value	Description
31:0	RW	0x00000000	wr_wstrb Write_wstrb.

**RKNN sdma cfg status**

Address: Operational Base + offset (0x9030)

Bit	Attr	Reset Value	Description
31:9	RO	0x000000	reserved
8	RW	0x0	idel Idel.
7:0	RO	0x00	reserved

**RKNN global operation enable**

Address: Operational Base + offset (0xF008)

Bit	Attr	Reset Value	Description
31:7	RO	0x0000000	reserved
6	RW	0x0	ppu_rdma_op_en PPU_RDMA operation enable signal.
5	RW	0x0	ppu_op_en PPU operation enable signal.
4	RW	0x0	dpu_rdma_op_en DPU_RDMA operation enable signal.
3	RW	0x0	dpu_op_en DPU operation enable signal.
2	RW	0x0	core_op_en CORE operation enable signal.
1	RO	0x0	reserved
0	RW	0x0	cna_op_en CNA operation enable signal.

**36.5 Application Notes**

**36.5.1 Ping-pong registers**

In order to reduce the time of fetch registers, every Calculate Core and Control Core of RKNN has its own ping-pong registers. Configure the group 0 when use the group 1, and configure the group 1 when use group 0. As a result of hiding the time of fetch registers. Writing S\_POINTER of every block can enable this function.

**36.5.2 Clock and Reset**

**1.5.2.1 Clock Domains**

RKNN has two clock domains, one is AHB clock, the other is AXI clock. AHB clock, which is the clock for AHB interface, while AXI clock, which is the clock for AXI interface. AXI clock also used for core clock for every Calculate Core and Control Core. Clock frequency can be controlled by CRU, please refer to the relevant sections. Automatic localized clock gating is employed throughout the design in order to minimize the dynamic power consumption. Almost all of the flip-flops are clock gated in the design. Block level clock gating also implemented in every separate block. If a block and the interface to the block are both idle, then the clock of that block will be gated automatically. This feature can be disabled by software.

**1.5.2.2 NPU Reset**

Correspond to the clock domain, there are two reset signals. Aresetn, the reset signal for AXI interface and every Calculate Core and Control Core. Hresetn is the AHB interface reset pin and which is synchronized to the AHB clock domain.

All the two signals must be asserted for a minimum of 32 core clock cycles, using the slowest of the two clocks. Then two signals must be release at the same time.

**36.5.3 NPU Interrupt Application**

RKNN has 3 interrupt output signal and it remains asserted until the host processor clears the interrupt. Each bit of PC\_INTERRUPT\_STATUS represents one of the 17 possible events that the RKNN can signal to the host processor. By setting the bits of the interrupt enable register (PC\_INTERRUPT\_MASK) the programmer can control which of those events will generate an interrupt.

**36.5.4 NPU operate flow**

RKNN has two types of work mode: slave configured mode and pc work mode. Pc work mode need to initial register information to the system memory, then obey flowing flows as Figure 1-3 shows.

The information of registers initial to the system memory need to generate by the op you want to specify. And we describe the normal work flows by describe the slave configured mode.

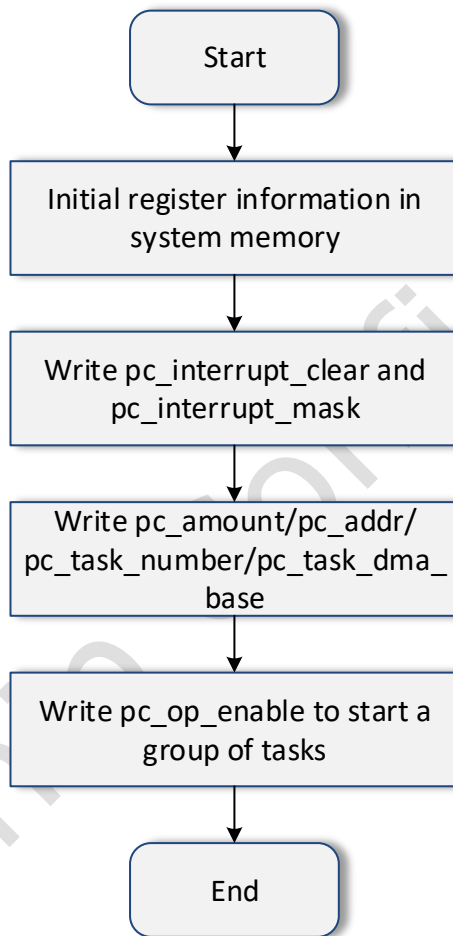


Fig. 36-3 PC flow

**Convolution flow**

RKNN supports variety of convolution and matrix multiplication. If use the MAC array to calculate, the work flow should obey the Figure 1-4, and if use DPU CORE calculate, work flow should obey the Figure 1-5.

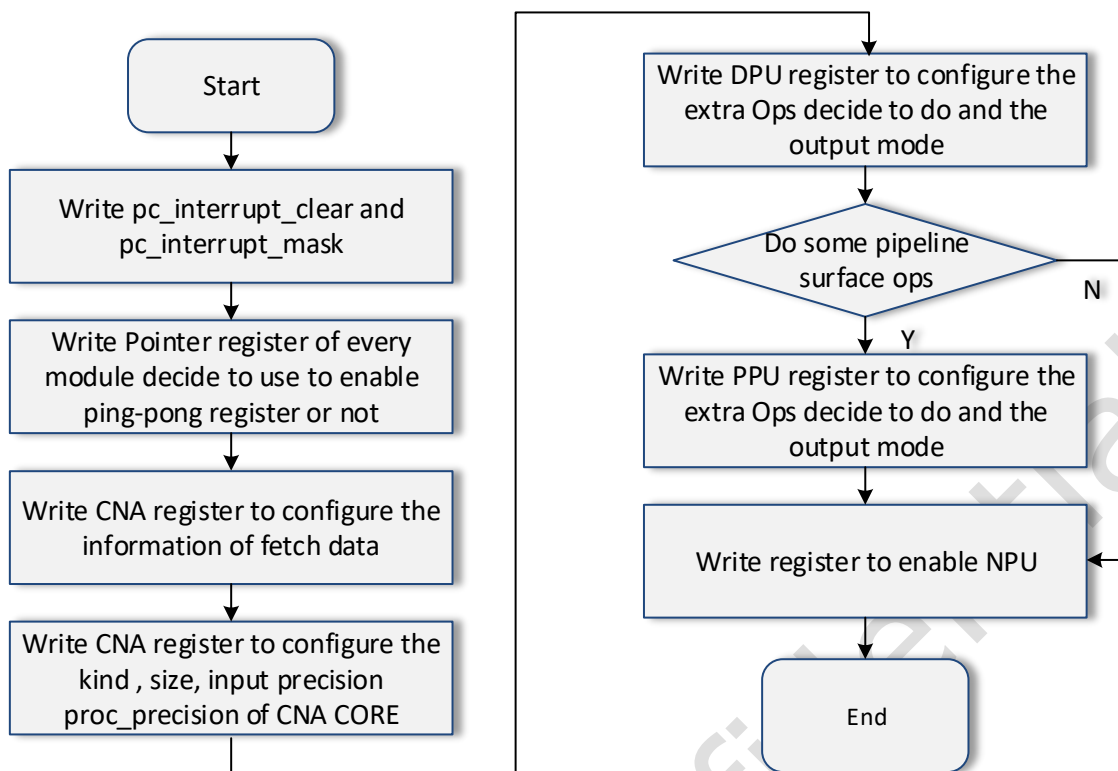


Fig. 36-4 Convolution flow 1

In step 1, do not set PPU mask bit if don't use PPU.

In step 3, you need to configure the size of feature map, and the input precision, process precision, grains, entries and weight size, including weight height, weight width, kernels and weight bytes etc.

In step 4, you need to configure process precision, conv\_mode and auto gating registers of CMAC and CNA sequence controller.

In step 5, you can specify some operators to the outputs of convolution according to configure the DPU\_CORE. DPU CORE has some fixed operators, also you can specify some programmed operators.

In step 6, you can do some extra operators to the outputs of DPU, pooling for example.

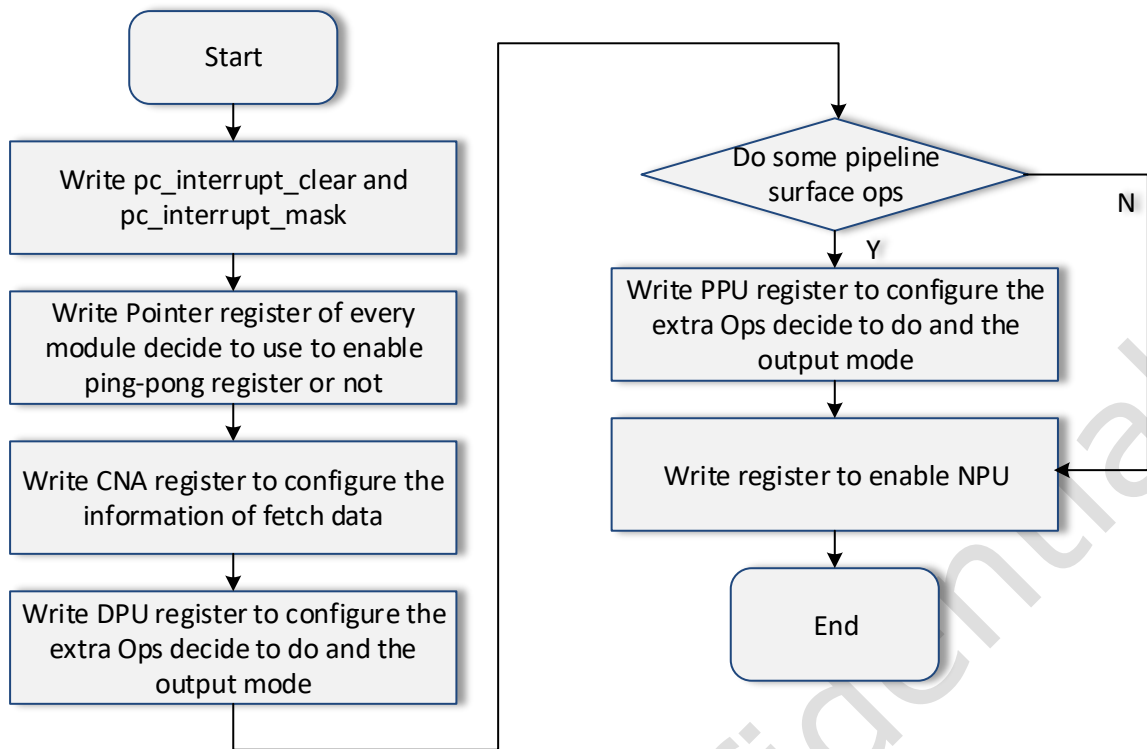


Fig. 36-5 Convolution flow 2

In step 3, you need to configure the size of feature map, and the input precision, process precision, grains, entries and weight size, including height, width, kernels and weight bytes etc. Here we supply zero skipping switch, if there's a lot of zero or some number else in the feature map, you can enable zero skipping by writing `cna_fc_con0`, `cna_fc_con1` and `cna_fc_con2`, as a result of without reading the weights correspond to the pixel in the feature map. In zero skipping mode, you can specify the feature map size for read different from the feature map size for calculate.

If enable zero skipping, the `conv_mode` of DPU must configure to be 3, and must bypass the `BS_CORE`. The `alu_src` must set to be 0, the `mul_src` must set to be 1, and the `alu_algo` must set be 3. We bypass `BS_CORE`, and use `BN_CORE` to calculate convolution, so the extra operators have to achieve by `EW_CORE`. But we use `NRDMA` to read operands to `EW_CORE` when `ew_src` is 1.  
 Pooling flow

You can use PPU in two ways, pipeline with DPU, and flying mode independently. The first one is described above, we describe the second flow below.

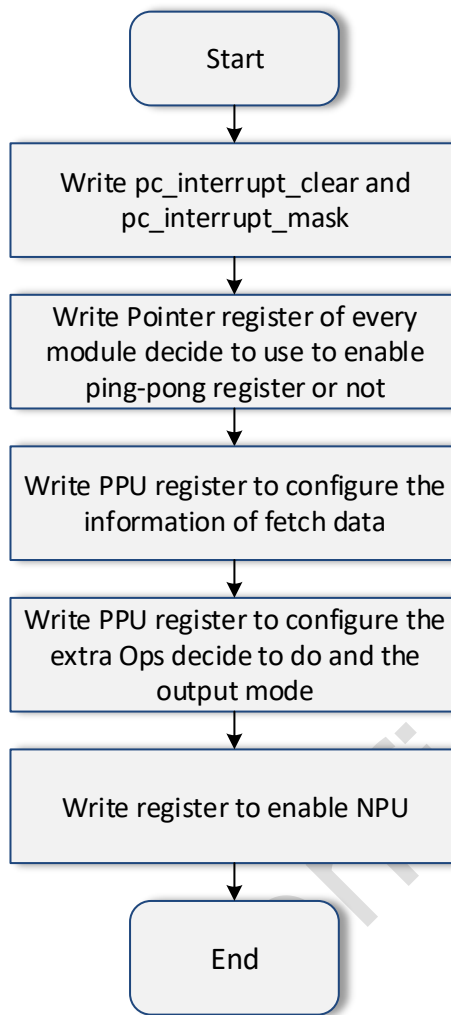


Fig. 36-6 Pooling flow

In step 4, we supply two type of output mode, 8byte align per pixel and non-align mode. In some case with uncomfortable feature map size, you can enable non-align mode by writing `ppu_misc_ctrl_nonalign` and `ppu_misc_ctrl_surf_len`.  
Separate op flow

As for the operators that RKNN do not fixed, you can combine DPU and PPU to achieve it. Following we describe the DPU flying mode flow.

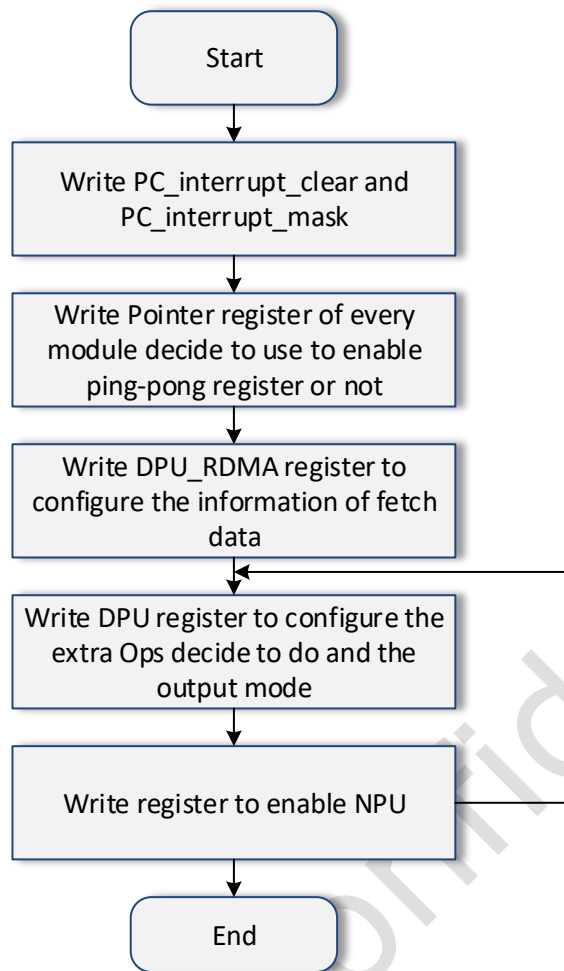


Fig. 36-7 DPU flying mode flow

In step 3, you can enable MRDMA, BRDMA, NRDMA, ERDMA to fetch data. RKNN supports 6 types of data input precision.

In step 4, you can configure BS\_ALU\_BYPASS, BS\_MUL\_BYPASS, BS\_RELU\_BYPASS, BS\_MUL\_PRELU, BS\_MUL\_SHIFT, BS\_RELUX\_EN etc. to specify the operators you want to achieve.

## Chapter 37 Video Capture (VICAP)

### 37.1 Overview

The Video Capture, receives the data from Camera via DVP/MIPI, and transfers the data into system main memory by AXI bus.

- Support BT601 YCbCr 422 8bit input, RAW 8/10/12bit input
- Support BT656 YCbCr 422 8bit progressive/interlace input
- Support BT1120 YCbCr 422 16bit progressive/interlace input, single/dual-edge sampling
- Support 2/4 channels mixed BT656/BT1120 YCbCr 422 8/16bit progressive/interlace input
- Support YUYV sequence configurable
- Support the polarity of hsync and vsync configurable
- Support receiving six interfaces of MIPI CSI/DSI, up to four IDs for each interface
- Support five CSI data formats: RAW8/10/12/14, YUV422
- Support three modes of HDR: virtual channel mode, identification code mode, line counter mode
- Support window cropping
- Support RAW data through to ISP0/1
- Support four channels of 8/16/32 times down-sampling for RAW data
- Support virtual stride when write to DDR
- Support NV16/NV12/YUV400/YUYV output format for YUV data
- Support compact/non-compact output format for RAW data
- Support MMU
- Support soft reset, auto-reset when DMA error

### 37.2 Block Diagram

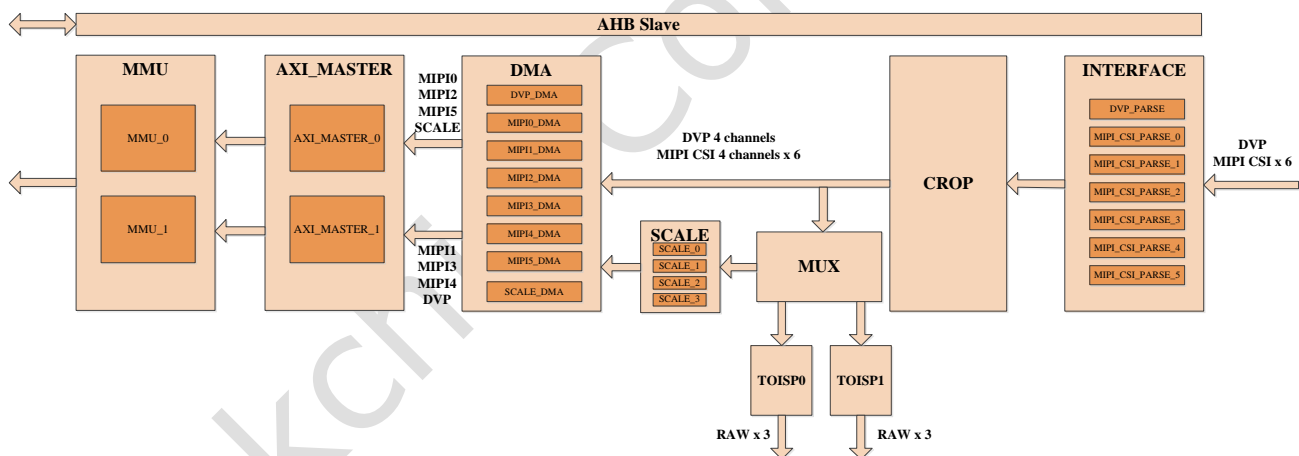


Fig. 37-1 VICAP Block Diagram

VICAP comprises with:

- AHB Slave
- AXI Master
- MMU
- INTERFACE
- CROP
- SCALE
- TOISP0/1
- DMA

### 37.3 Function Description

#### 37.3.1 Interface

Translate the input video data(DVP/MIPI CSI) into the requisite data format

- DVP BT656/BT1120 format



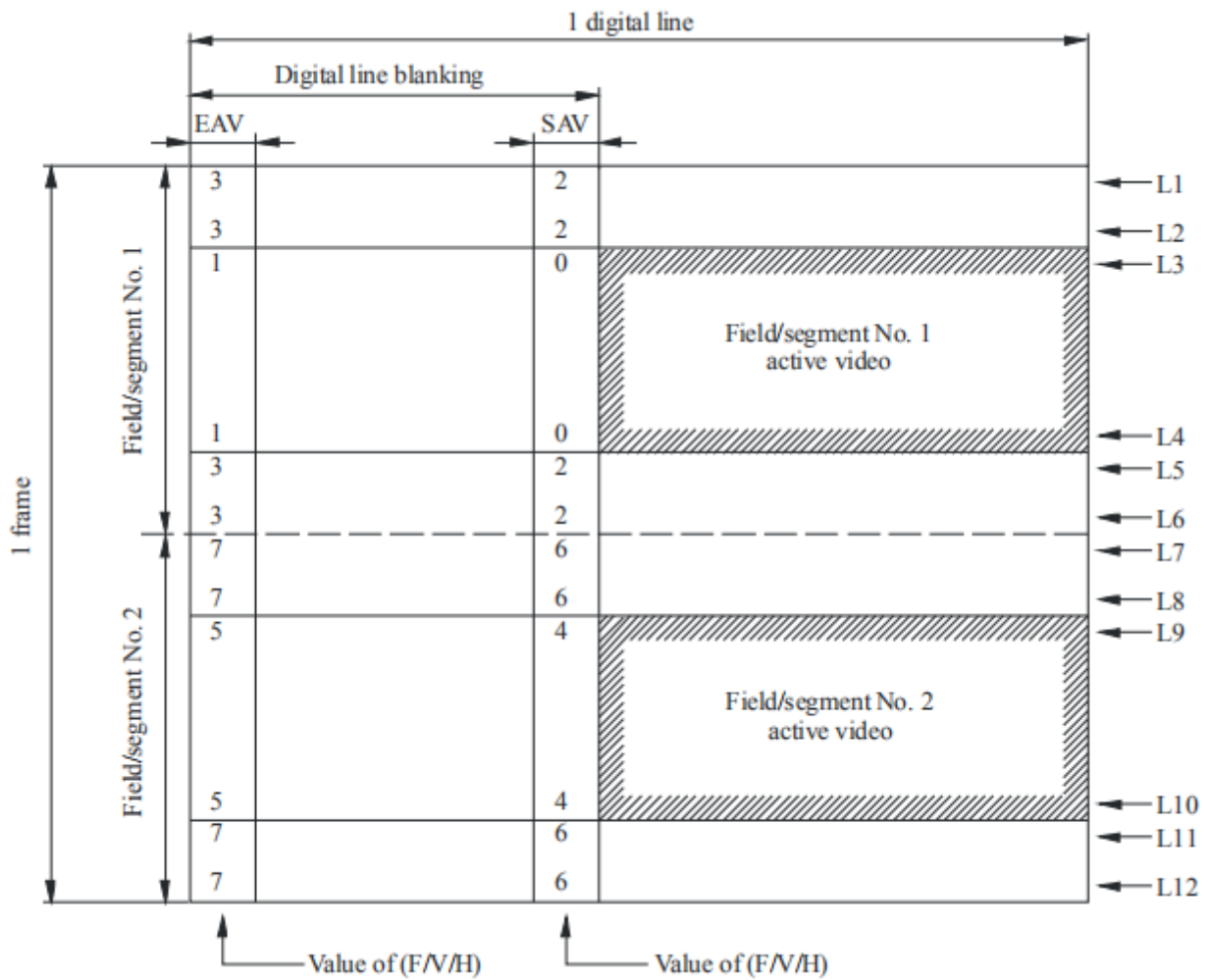


Fig. 37-2 BT656/BT1120 interlace timing relationship

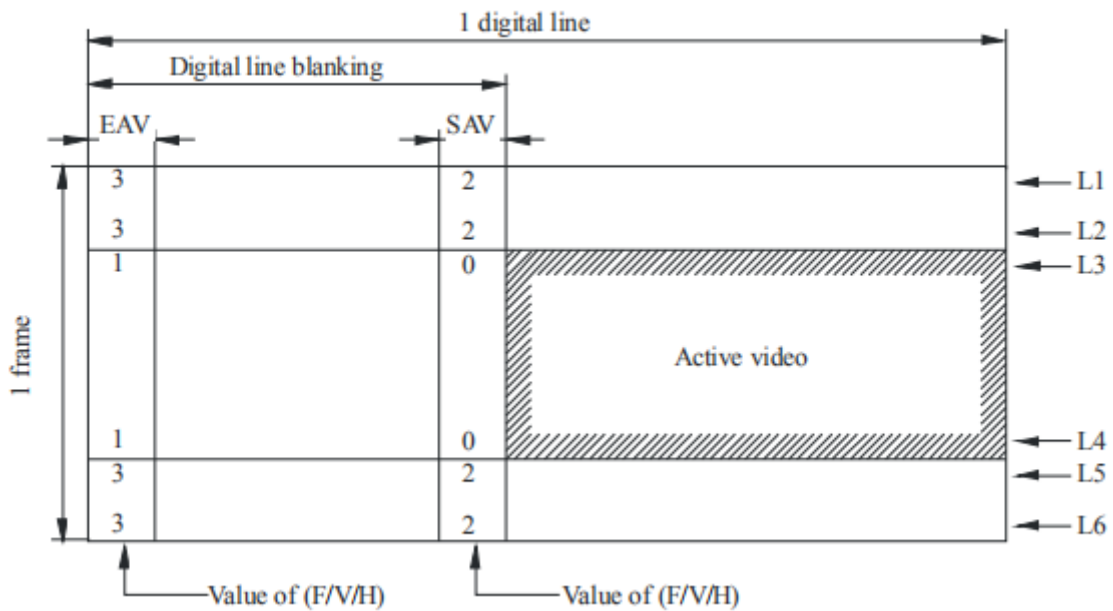


Fig. 37-3 BT656/BT1120 progressive timing relationship

- DVP 2/4 channels mixed BT656/BT1120 format

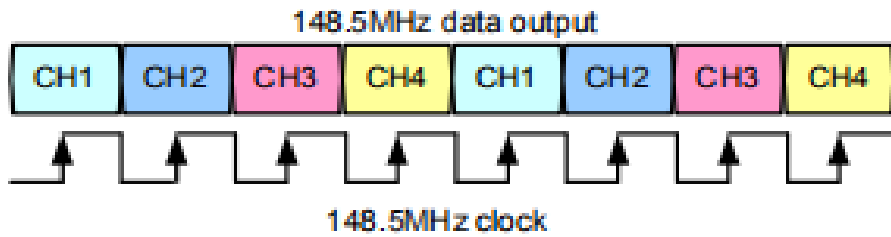


Fig. 37-4 4 channels mixed BT656/BT1120

- DVP BT601 format

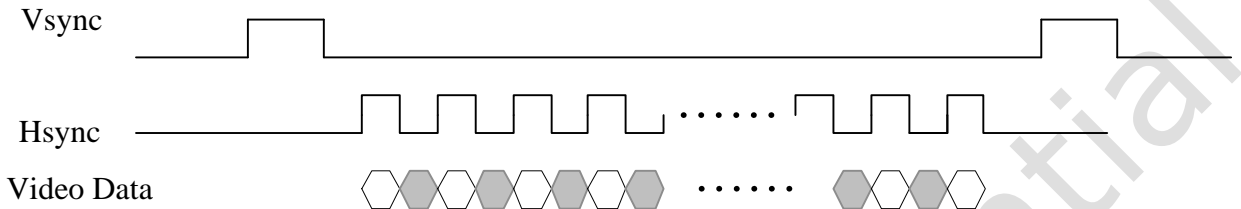


Fig. 37-5 BT656/BT1120 timing relationship

- MIPI CSI RAW8 format

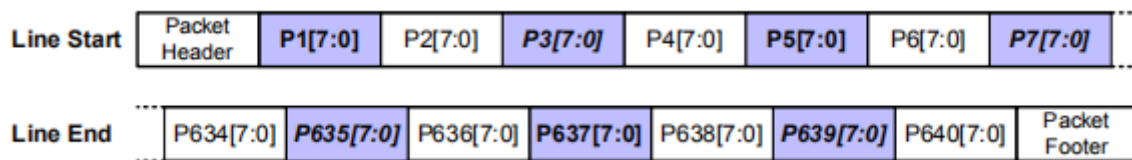


Fig. 37-6 MIPI CSI RAW8 format

- MIPI CSI RAW10 format

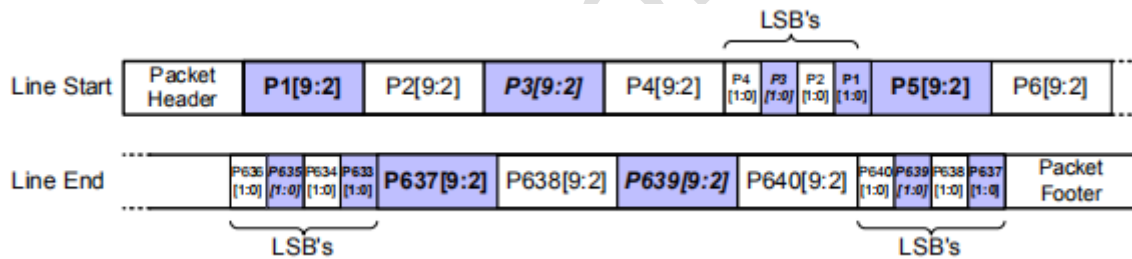


Fig. 37-7 MIPI CSI RAW10 format

- MIPI CSI RAW12 format

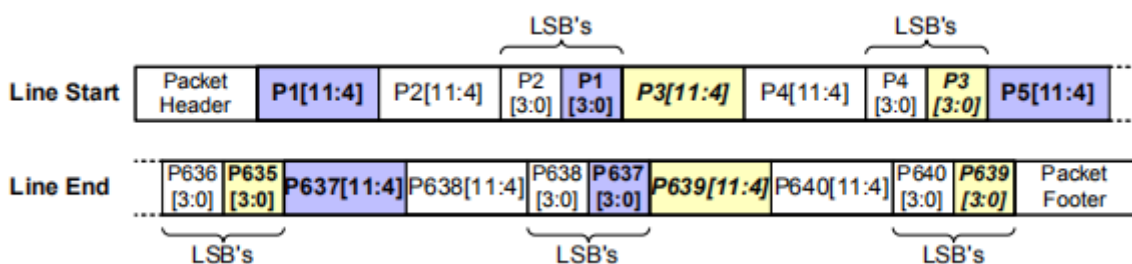


Fig. 37-8 MIPI CSI RAW12 format

- MIPI CSI RAW14 format

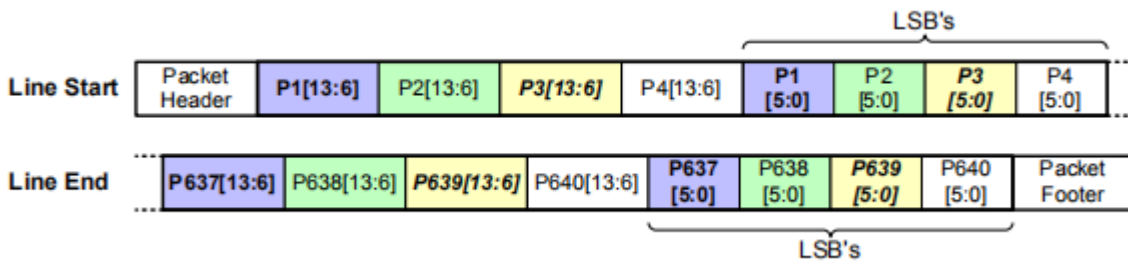


Fig. 37-9 MIPI CSI RAW14 format

- MIPI CSI YUV422 format

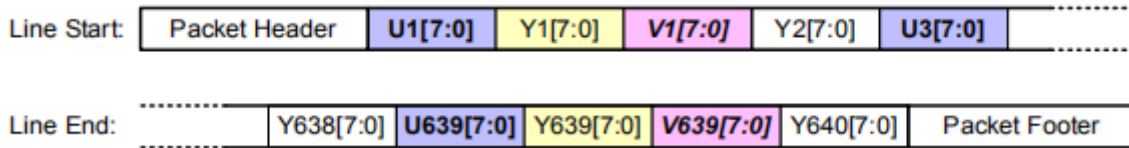


Fig. 37-10 MIPI CSI YUV422 format

### 37.3.2 Crop

Bypass or crop the source video data to a smaller size destination.

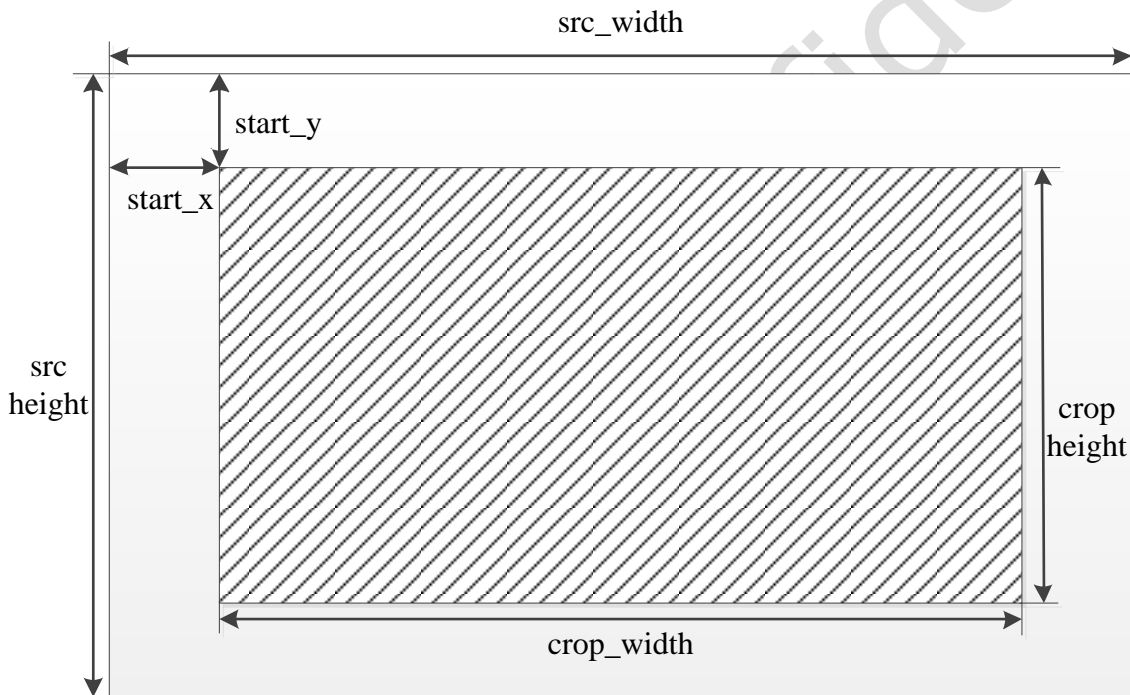


Fig. 37-11 Crop

### 37.3.3 Scale

Scale down for RAW data.

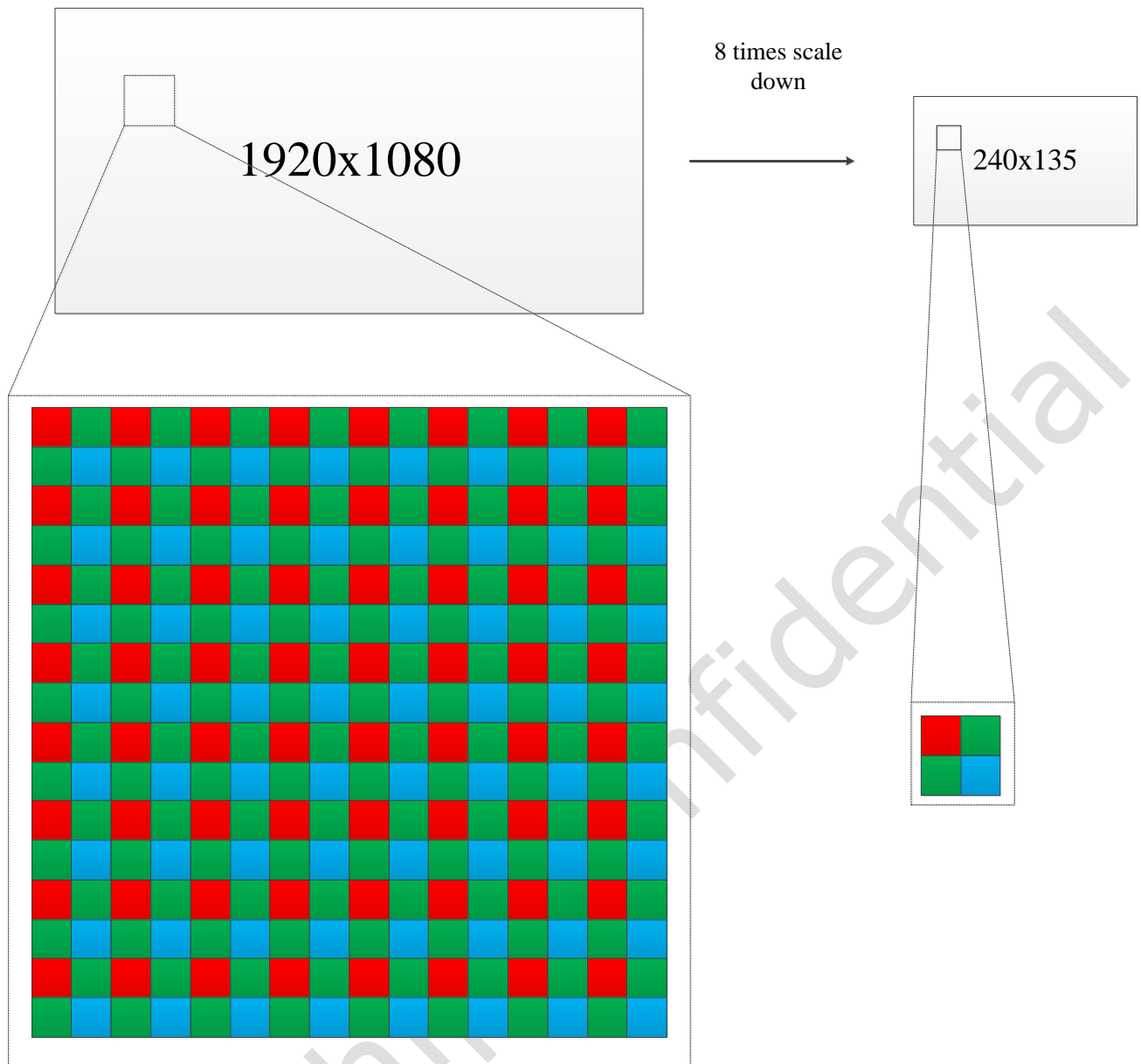


Fig. 37-12 8 times Scale down

### 37.3.4 Toisp

The parsed video data can go straight to ISP0/1 for real-time processing.

### 37.3.5 DMA

The DMA is used to transfer the data from crop module to the AXI master block which will send the data to the AXI bus.

- NV16

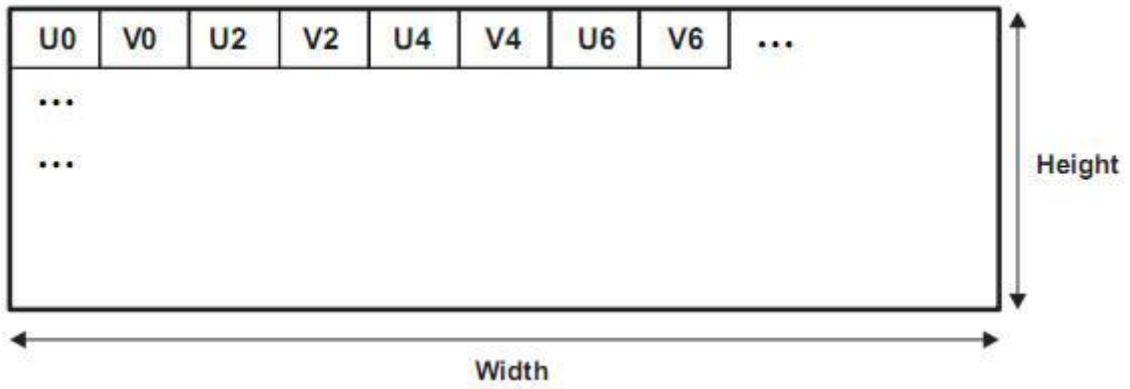


Fig. 37-13 NV16

- NV12

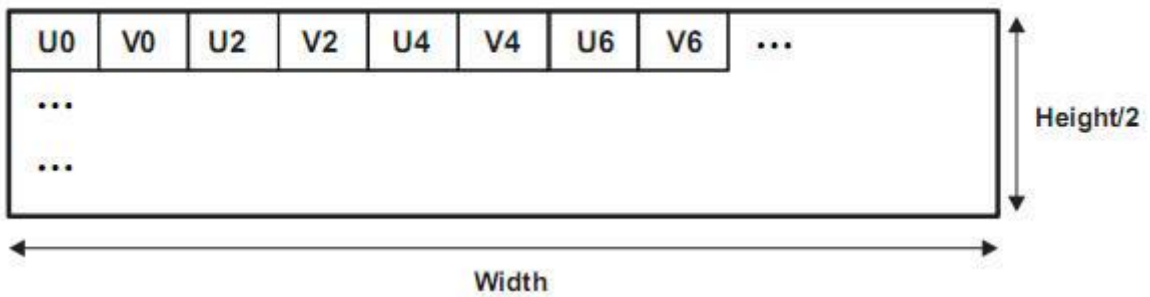


Fig. 37-14 NV12

- YUV400

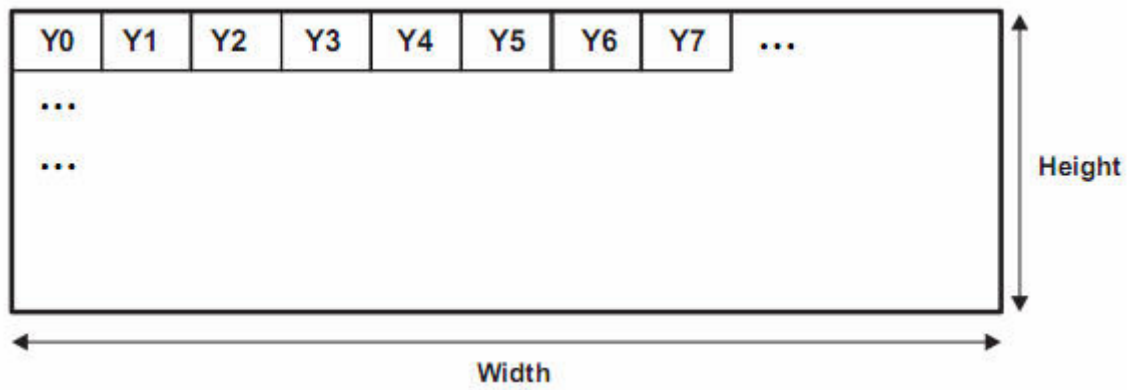


Fig. 37-15 YUV400

- YUYV

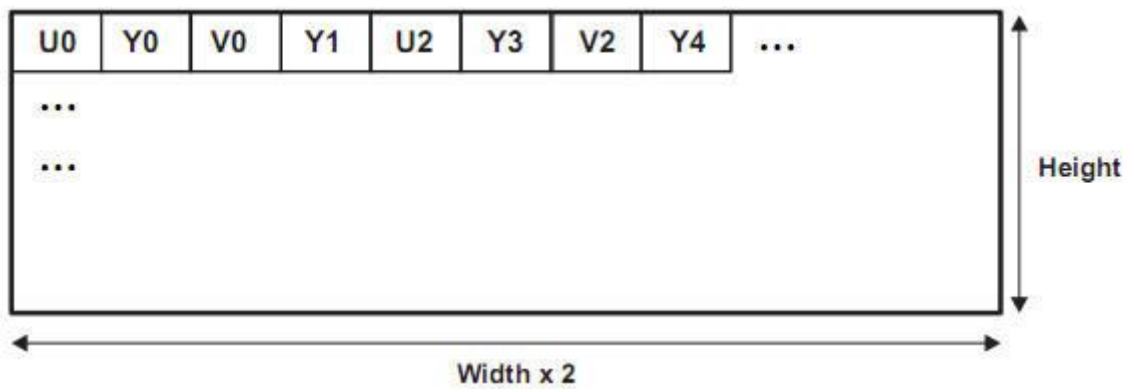


Fig. 37-16 YUYV

- Compact RAW

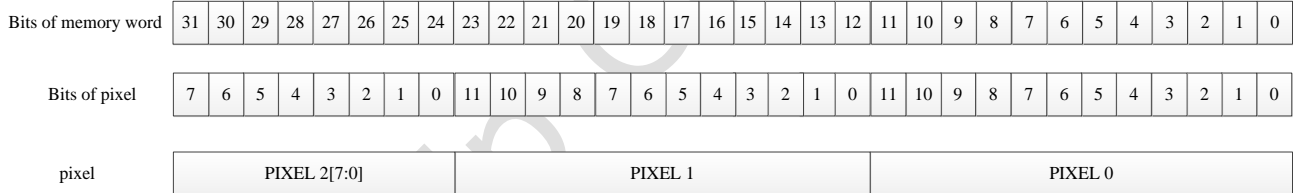


Fig. 37-17 Compact RAW12

- Noncompact RAW

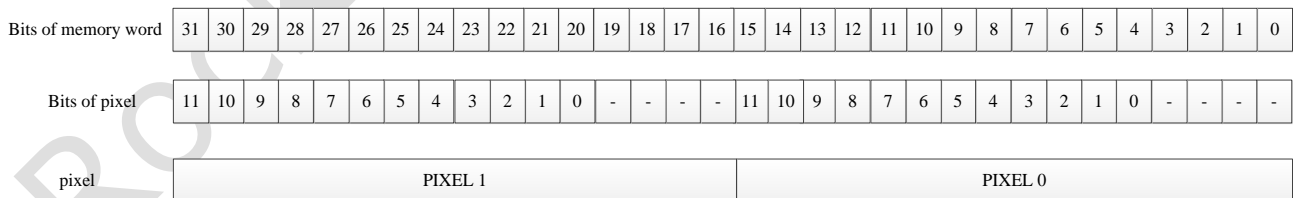


Fig. 37-18 noncompact RAW12(high align)

### 37.3.6 AXI Master

Transmit the data to chip memory via the AXI Master.

### 37.3.7 MMU

Map the virtual address to physical address.

### 37.3.8 AHB Slave

Host configure the registers via the AHB Slave.

## 37.4 VICAP Register Description

### 37.4.1 Internal Address Mapping

Slave address can be divided into different length for different usage, which is shown as follows.

Table 37-1 VICAP Address Mapping

Base Address[11:8]	Device	Address Length	Offset Address Range
4'b0000	Global/DVP	256 BYTE	0x0000 ~ 0x00ff
4'b0001	MIPI0	256 BYTE	0x0100 ~ 0x01ff
4'b0010	MIPI1	256 BYTE	0x0200 ~ 0x02ff
4'b0011	MIPI2	256 BYTE	0x0300 ~ 0x03ff
4'b0100	MIPI3	256 BYTE	0x0400 ~ 0x04ff
4'b0101	MIPI4	256 BYTE	0x0500 ~ 0x05ff
4'b0110	MIPI5	256 BYTE	0x0600 ~ 0x06ff
4'b0111	Scale/TOISP	256 BYTE	0x0700 ~ 0x07ff
4'b1000	MMU0	256 BYTE	0x0800 ~ 0x08ff
4'b1001	MMU1	256 BYTE	0x0900 ~ 0x09ff

### 37.4.2 Registers Summary

Name	Offset	Size	Reset Value	Description
<u>VICAP_GLB_CTRL</u>	0x0000	W	0x00010001	VICAP global control
<u>VICAP_GLB_INTEN</u>	0x0004	W	0x00000000	VICAP global interrupt enable.
<u>VICAP_GLB_INTST</u>	0x0008	W	0x00000000	VICAP global interrupt status.
<u>VICAP_DVP_CTRL</u>	0x0010	W	0x00000000	DVP path control
<u>VICAP_DVP_INTEN</u>	0x0014	W	0x00000000	DVP path interrupt status
<u>VICAP_DVP_INTSTAT</u>	0x0018	W	0x00000000	DVP path interrupt status
<u>VICAP_DVP_FORMAT</u>	0x001C	W	0x00000000	DVP path format
<u>VICAP_DVP_MULTI_ID</u>	0x0020	W	0x00000000	Channel ID for multi-ID mode
<u>VICAP_DVP_SAV_EAV</u>	0x0024	W	0xFEDCBA98	SAV/EAV for ACT/BLK
<u>VICAP_DVP_CROP_SIZE</u>	0x0028	W	0x01E002D0	The expected width and height of received image
<u>VICAP_DVP_CROP_START</u>	0x002C	W	0x00000000	The start point of DVP path cropping
<u>VICAP_DVP_FRM0_ADDR_Y_ID0</u>	0x0030	W	0x00000000	DVP path frame0 y address
<u>VICAP_DVP_FRM0_ADDR_UV_ID0</u>	0x0034	W	0x00000000	DVP path frame0 uv address
<u>VICAP_DVP_FRM1_ADDR_Y_ID0</u>	0x0038	W	0x00000000	DVP path frame1 y address
<u>VICAP_DVP_FRM1_ADDR_UV_ID0</u>	0x003C	W	0x00000000	DVP path frame1 uv address
<u>VICAP_DVP_FRM0_ADDR_Y_ID1</u>	0x0040	W	0x00000000	DVP path frame0 y address for ID1
<u>VICAP_DVP_FRM0_ADDR_UV_ID1</u>	0x0044	W	0x00000000	DVP path frame0 uv address for id1

<b>Name</b>	<b>Offset</b>	<b>Size</b>	<b>Reset Value</b>	<b>Description</b>
<u>VICAP DVP FRM1 ADDR Y ID1</u>	0x0048	W	0x00000000	DVP path frame1 y address for id1
<u>VICAP DVP FRM1 ADDR UV ID1</u>	0x004C	W	0x00000000	DVP path frame1 uv address for id1
<u>VICAP DVP FRM0 ADDR Y ID2</u>	0x0050	W	0x00000000	DVP path frame0 y address for id2
<u>VICAP DVP FRM0 ADDR UV ID2</u>	0x0054	W	0x00000000	DVP path frame0 uv address for id2
<u>VICAP DVP FRM1 ADDR Y ID2</u>	0x0058	W	0x00000000	DVP path frame1 y address for id2
<u>VICAP DVP FRM1 ADDR UV ID2</u>	0x005C	W	0x00000000	DVP path frame1 uv address for id2
<u>VICAP DVP FRM0 ADDR Y ID3</u>	0x0060	W	0x00000000	DVP path frame0 y address for id3
<u>VICAP DVP FRM0 ADDR UV ID3</u>	0x0064	W	0x00000000	DVP path frame0 uv address for id3
<u>VICAP DVP FRM1 ADDR Y ID3</u>	0x0068	W	0x00000000	DVP path frame1 y address for id3
<u>VICAP DVP FRM1 ADDR UV ID3</u>	0x006C	W	0x00000000	DVP path frame1 uv address for id3
<u>VICAP DVP VIR LINE WIDTH</u>	0x0070	W	0x00000000	DVP path virtual line width
<u>VICAP DVP LINE INTERRUPT NUMBER ID0_1</u>	0x0074	W	0x00400040	DVP path id0/id1 line interrupt number
<u>VICAP DVP LINE INTERRUPT NUMBER ID2_3</u>	0x0078	W	0x00400040	DVP path id2/id3 line interrupt number
<u>VICAP DVP LINE COUNT ID0_1</u>	0x007C	W	0x00000000	DVP path id0/id1 line count
<u>VICAP DVP LINE COUNT ID2_3</u>	0x0080	W	0x00000000	DVP path id2/id3 line count
<u>VICAP DVP PIXEL NUMBER ID0</u>	0x0084	W	0x00000000	DVP path ID0 PIXEL NUMBER
<u>VICAP DVP LINE NUMBER ID0</u>	0x0088	W	0x00000000	DVP path ID0 LINE NUMBER
<u>VICAP DVP PIXEL NUMBER ID1</u>	0x008C	W	0x00000000	DVP path ID1 PIXEL NUMBER
<u>VICAP DVP LINE NUMBER ID1</u>	0x0090	W	0x00000000	DVP path ID1 LINE NUMBER
<u>VICAP DVP PIXEL NUMBER ID2</u>	0x0094	W	0x00000000	DVP path ID2 PIXEL NUMBER
<u>VICAP DVP LINE NUMBER ID2</u>	0x0098	W	0x00000000	DVP path ID2 LINE NUMBER



Name	Offset	Size	Reset Value	Description
<u>VICAP DVP PIX NUM ID3</u>	0x009C	W	0x00000000	DVP path ID3 PIXEL NUMBER
<u>VICAP DVP LINE NUM ID3</u>	0x00A0	W	0x00000000	DVP path ID3 LINE NUMBER
<u>VICAP DVP SYNC HEADER</u>	0x00A4	W	0x00000000	DVP SYNC HEADER FOR BT656/BT1120
<u>VICAP MIPI0 ID0 CTRL0</u>	0x0100	W	0x00000000	MIPI0 path id0 control0
<u>VICAP MIPI0 ID0 CTRL1</u>	0x0104	W	0x00000000	MIPI0 path id0 control1
<u>VICAP MIPI0 ID1 CTRL0</u>	0x0108	W	0x00000000	MIPI0 path id1 control0
<u>VICAP MIPI0 ID1 CTRL1</u>	0x010C	W	0x00000000	MIPI0 path id1 control1
<u>VICAP MIPI0 ID2 CTRL0</u>	0x0110	W	0x00000000	MIPI0 path id2 control0
<u>VICAP MIPI0 ID2 CTRL1</u>	0x0114	W	0x00000000	MIPI0 path id2 control1
<u>VICAP MIPI0 ID3 CTRL0</u>	0x0118	W	0x00000000	MIPI0 path id3 control0
<u>VICAP MIPI0 ID3 CTRL1</u>	0x011C	W	0x00000000	MIPI0 path id3 control1
<u>VICAP MIPI0 CTRL</u>	0x0120	W	0x00000000	MIPI0 path control
<u>VICAP MIPI0 FRAME0 A DDR Y ID0</u>	0x0124	W	0x00000000	First address of even frame for ID0 Y/RAW/RGB path
<u>VICAP MIPI0 FRAME1 A DDR Y ID0</u>	0x0128	W	0x00000000	First address of odd frame for ID0 Y path
<u>VICAP MIPI0 FRAME0 A DDR UV ID0</u>	0x012C	W	0x00000000	First address of even frame for ID0 UV path
<u>VICAP MIPI0 FRAME1 A DDR UV ID0</u>	0x0130	W	0x00000000	First address of odd frame for ID0 UV path
<u>VICAP MIPI0 VLW ID0</u>	0x0134	W	0x00000000	Virtual line width for ID0
<u>VICAP MIPI0 FRAME0 A DDR Y ID1</u>	0x0138	W	0x00000000	First address of even frame for ID1 Y/RAW/RGB path
<u>VICAP MIPI0 FRAME1 A DDR Y ID1</u>	0x013C	W	0x00000000	First address of odd frame for ID1 Y/RAW/RGB path
<u>VICAP MIPI0 FRAME0 A DDR UV ID1</u>	0x0140	W	0x00000000	First address of even frame for ID1 UV path
<u>VICAP MIPI0 FRAME1 A DDR UV ID1</u>	0x0144	W	0x00000000	First address of odd frame for ID1 UV path
<u>VICAP MIPI0 VLW ID1</u>	0x0148	W	0x00000000	Virtual line width of even frame for ID1 path
<u>VICAP MIPI0 FRAME0 A DDR Y ID2</u>	0x014C	W	0x00000000	First address of even frame for ID2 Y/RAW/RGB path
<u>VICAP MIPI0 FRAME1 A DDR Y ID2</u>	0x0150	W	0x00000000	First address of odd frame for ID2 Y/RAW/RGB path
<u>VICAP MIPI0 FRAME0 A DDR UV ID2</u>	0x0154	W	0x00000000	First address of even frame for ID2 UV path
<u>VICAP MIPI0 FRAME1 A DDR UV ID2</u>	0x0158	W	0x00000000	First address of odd frame for ID2 UV path

<b>Name</b>	<b>Offset</b>	<b>Size</b>	<b>Reset Value</b>	<b>Description</b>
<u>VICAP_MIPI0_VLW_ID2</u>	0x015C	W	0x00000000	Virtual line width of even frame for ID2 path
<u>VICAP_MIPI0_FRAME0_A_DDR_Y_ID3</u>	0x0160	W	0x00000000	First address of even frame for ID3 Y/RAW/RGB path
<u>VICAP_MIPI0_FRAME1_A_DDR_Y_ID3</u>	0x0164	W	0x00000000	First address of odd frame for ID3 Y/RAW/RGB path
<u>VICAP_MIPI0_FRAME0_A_DDR_UV_ID3</u>	0x0168	W	0x00000000	First address of even frame for ID3 UV path
<u>VICAP_MIPI0_FRAME1_A_DDR_UV_ID3</u>	0x016C	W	0x00000000	First address of odd frame for ID3 UV path
<u>VICAP_MIPI0_VLW_ID3</u>	0x0170	W	0x00000000	Virtual line width of even frame for ID3 path
<u>VICAP_MIPI0_INTEN</u>	0x0174	W	0x00000000	MIPI0 path interrupt enable
<u>VICAP_MIPI0_INTSTAT</u>	0x0178	W	0x00000000	MIPI0 path interrupt status
<u>VICAP_MIPI0_LINE_INT_NUM_ID0_1</u>	0x017C	W	0x00400040	Line number of the MIPI0 path ID0/1 line interrupt
<u>VICAP_MIPI0_LINE_INT_NUM_ID2_3</u>	0x0180	W	0x00400040	Line number of the MIPI0 path ID2/3 line interrupt
<u>VICAP_MIPI0_LINE_CNT_ID0_1</u>	0x0184	W	0x00000000	Line count of the MIPI0 path ID0/1
<u>VICAP_MIPI0_LINE_CNT_ID2_3</u>	0x0188	W	0x00000000	Line count of the MIPI0 path ID2/3
<u>VICAP_MIPI0_ID0_CROP_START</u>	0x018C	W	0x00000000	The start point of MIPI0 ID0 cropping
<u>VICAP_MIPI0_ID1_CROP_START</u>	0x0190	W	0x00000000	The start point of MIPI0 ID1 cropping
<u>VICAP_MIPI0_ID2_CROP_START</u>	0x0194	W	0x00000000	The start point of MIPI0 ID2 cropping
<u>VICAP_MIPI0_ID3_CROP_START</u>	0x0198	W	0x00000000	The start point of MIPI0 ID3 cropping
<u>VICAP_MIPI0_FRAME_NUM_VC0</u>	0x019C	W	0x00000000	The frame number of virtual channel 0
<u>VICAP_MIPI0_FRAME_NUM_VC1</u>	0x01A0	W	0x00000000	The frame number of virtual channel 1
<u>VICAP_MIPI0_FRAME_NUM_VC2</u>	0x01A4	W	0x00000000	The frame number of virtual channel 2
<u>VICAP_MIPI0_FRAME_NUM_VC3</u>	0x01A8	W	0x00000000	The frame number of virtual channel 3
<u>VICAP_MIPI0_ID0_EFFECT_CODE</u>	0x01AC	W	0x00000000	The effect code of MIPI0 ID0
<u>VICAP_MIPI0_ID1_EFFECT_CODE</u>	0x01B0	W	0x00000000	The effect code of MIPI0 ID1

<b>Name</b>	<b>Offset</b>	<b>Size</b>	<b>Reset Value</b>	<b>Description</b>
<u>VICAP MIPI0 ID2 EFFEC T_CODE</u>	0x01B4	W	0x00000000	The effect code of MIPI0 ID2
<u>VICAP MIPI0 ID3 EFFEC T_CODE</u>	0x01B8	W	0x00000000	The effect code of MIPI0 ID3
<u>VICAP MIPI0 ON PAD V ALUE</u>	0x01BC	W	0x00000000	The ON padding value of MIPI0
<u>VICAP MIPI0 SIZE NUM ID0</u>	0x01C0	W	0x00000000	MIPI0 path ID0 SIZE NUMBER
<u>VICAP MIPI0 SIZE NUM ID1</u>	0x01C4	W	0x00000000	MIPI0 path ID1 SIZE NUMBER
<u>VICAP MIPI0 SIZE NUM ID2</u>	0x01C8	W	0x00000000	MIPI0 path ID2 SIZE NUMBER
<u>VICAP MIPI0 SIZE NUM ID3</u>	0x01CC	W	0x00000000	MIPI0 path ID3 SIZE NUMBER
<u>VICAP MIPI1 ID0 CTRL0</u>	0x0200	W	0x00000000	MIPI1 path id0 control0
<u>VICAP MIPI1 ID0 CTRL1</u>	0x0204	W	0x00000000	MIPI1 path id0 control1
<u>VICAP MIPI1 ID1 CTRL0</u>	0x0208	W	0x00000000	MIPI1 path id1 control0
<u>VICAP MIPI1 ID1 CTRL1</u>	0x020C	W	0x00000000	MIPI1 path id1 control1
<u>VICAP MIPI1 ID2 CTRL0</u>	0x0210	W	0x00000000	MIPI1 path id2 control0
<u>VICAP MIPI1 ID2 CTRL1</u>	0x0214	W	0x00000000	MIPI1 path id2 control1
<u>VICAP MIPI1 ID3 CTRL0</u>	0x0218	W	0x00000000	MIPI1 path id3 control0
<u>VICAP MIPI1 ID3 CTRL1</u>	0x021C	W	0x00000000	MIPI1 path id3 control1
<u>VICAP MIPI1 CTRL</u>	0x0220	W	0x00000000	MIPI1 path control
<u>VICAP MIPI1 FRAME0 A DDR Y ID0</u>	0x0224	W	0x00000000	First address of even frame for ID0 Y/RAW/RGB path
<u>VICAP MIPI1 FRAME1 A DDR Y ID0</u>	0x0228	W	0x00000000	First address of odd frame for ID0 Y path
<u>VICAP MIPI1 FRAME0 A DDR UV ID0</u>	0x022C	W	0x00000000	First address of even frame for ID0 UV path
<u>VICAP MIPI1 FRAME1 A DDR UV ID0</u>	0x0230	W	0x00000000	First address of odd frame for ID0 UV path
<u>VICAP MIPI1 VLW ID0</u>	0x0234	W	0x00000000	Virtual line width for ID0
<u>VICAP MIPI1 FRAME0 A DDR Y ID1</u>	0x0238	W	0x00000000	First address of even frame for ID1 Y/RAW/RGB path
<u>VICAP MIPI1 FRAME1 A DDR Y ID1</u>	0x023C	W	0x00000000	First address of odd frame for ID1 Y/RAW/RGB path
<u>VICAP MIPI1 FRAME0 A DDR UV ID1</u>	0x0240	W	0x00000000	First address of even frame for ID1 UV path
<u>VICAP MIPI1 FRAME1 A DDR UV ID1</u>	0x0244	W	0x00000000	First address of odd frame for ID1 UV path
<u>VICAP MIPI1 VLW ID1</u>	0x0248	W	0x00000000	Virtual line width of even frame for ID1 path

<b>Name</b>	<b>Offset</b>	<b>Size</b>	<b>Reset Value</b>	<b>Description</b>
<u>VICAP MIPI1 FRAME0 A DDR Y ID2</u>	0x024C	W	0x00000000	First address of even frame for ID2 Y/RAW/RGB path
<u>VICAP MIPI1 FRAME1 A DDR Y ID2</u>	0x0250	W	0x00000000	First address of odd frame for ID2 Y/RAW/RGB path
<u>VICAP MIPI1 FRAME0 A DDR UV ID2</u>	0x0254	W	0x00000000	First address of even frame for ID2 UV path
<u>VICAP MIPI1 FRAME1 A DDR UV ID2</u>	0x0258	W	0x00000000	First address of odd frame for ID2 UV path
<u>VICAP MIPI1 VLW ID2</u>	0x025C	W	0x00000000	Virtual line width of even frame for ID2 path
<u>VICAP MIPI1 FRAME0 A DDR Y ID3</u>	0x0260	W	0x00000000	First address of even frame for ID3 Y/RAW/RGB path
<u>VICAP MIPI1 FRAME1 A DDR Y ID3</u>	0x0264	W	0x00000000	First address of odd frame for ID3 Y/RAW/RGB path
<u>VICAP MIPI1 FRAME0 A DDR UV ID3</u>	0x0268	W	0x00000000	First address of even frame for ID3 UV path
<u>VICAP MIPI1 FRAME1 A DDR UV ID3</u>	0x026C	W	0x00000000	First address of odd frame for ID3 UV path
<u>VICAP MIPI1 VLW ID3</u>	0x0270	W	0x00000000	Virtual line width of even frame for ID3 path
<u>VICAP MIPI1 INTEN</u>	0x0274	W	0x00000000	MIPI1 path interrupt enable
<u>VICAP MIPI1 INTSTAT</u>	0x0278	W	0x00000000	MIPI1 path interrupt status
<u>VICAP MIPI1 LINE INT NUM ID0 1</u>	0x027C	W	0x00400040	Line number of the MIPI1 path ID0/1 line interrupt
<u>VICAP MIPI1 LINE INT NUM ID2 3</u>	0x0280	W	0x00400040	Line number of the MIPI1 path ID2/3 line interrupt
<u>VICAP MIPI1 LINE CNT ID0 1</u>	0x0284	W	0x00000000	Line count of the MIPI1 path ID0/1
<u>VICAP MIPI1 LINE CNT ID2 3</u>	0x0288	W	0x00000000	Line count of the MIPI1 path ID2/3
<u>VICAP MIPI1 ID0 CROP START</u>	0x028C	W	0x00000000	The start point of MIPI1 ID0 cropping
<u>VICAP MIPI1 ID1 CROP START</u>	0x0290	W	0x00000000	The start point of MIPI1 ID1 cropping
<u>VICAP MIPI1 ID2 CROP START</u>	0x0294	W	0x00000000	The start point of MIPI1 ID2 cropping
<u>VICAP MIPI1 ID3 CROP START</u>	0x0298	W	0x00000000	The start point of MIPI1 ID3 cropping
<u>VICAP MIPI1 FRAME NUM VC0</u>	0x029C	W	0x00000000	The frame number of virtual channel 0
<u>VICAP MIPI1 FRAME NUM VC1</u>	0x02A0	W	0x00000000	The frame number of virtual channel 1

<b>Name</b>	<b>Offset</b>	<b>Size</b>	<b>Reset Value</b>	<b>Description</b>
<u>VICAP MIPI1 FRAME NUMBER VC2</u>	0x02A4	W	0x00000000	The frame number of virtual channel 2
<u>VICAP MIPI1 FRAME NUMBER VC3</u>	0x02A8	W	0x00000000	The frame number of virtual channel 3
<u>VICAP MIPI1 ID0 EFFECT CODE</u>	0x02AC	W	0x00000000	The effect code of MIPI1 ID0
<u>VICAP MIPI1 ID1 EFFECT CODE</u>	0x02B0	W	0x00000000	The effect code of MIPI1 ID1
<u>VICAP MIPI1 ID2 EFFECT CODE</u>	0x02B4	W	0x00000000	The effect code of MIPI2 ID2
<u>VICAP MIPI1 ID3 EFFECT CODE</u>	0x02B8	W	0x00000000	The effect code of MIPI1 ID3
<u>VICAP MIPI1 ON PAD VALUE</u>	0x02BC	W	0x00000000	The ON padding value of MIPI1
<u>VICAP MIPI1 SIZE NUMBER ID0</u>	0x02C0	W	0x00000000	MIPI1 path ID0 SIZE NUMBER
<u>VICAP MIPI1 SIZE NUMBER ID1</u>	0x02C4	W	0x00000000	MIPI1 path ID1 SIZE NUMBER
<u>VICAP MIPI1 SIZE NUMBER ID2</u>	0x02C8	W	0x00000000	MIPI1 path ID2 SIZE NUMBER
<u>VICAP MIPI1 SIZE NUMBER ID3</u>	0x02CC	W	0x00000000	MIPI1 path ID3 SIZE NUMBER
<u>VICAP MIPI2 ID0 CTRL0</u>	0x0300	W	0x00000000	MIPI2 path id0 control0
<u>VICAP MIPI2 ID0 CTRL1</u>	0x0304	W	0x00000000	MIPI2 path id0 control1
<u>VICAP MIPI2 ID1 CTRL0</u>	0x0308	W	0x00000000	MIPI2 path id1 control0
<u>VICAP MIPI2 ID1 CTRL1</u>	0x030C	W	0x00000000	MIPI2 path id1 control1
<u>VICAP MIPI2 ID2 CTRL0</u>	0x0310	W	0x00000000	MIPI2 path id2 control0
<u>VICAP MIPI2 ID2 CTRL1</u>	0x0314	W	0x00000000	MIPI2 path id2 control1
<u>VICAP MIPI2 ID3 CTRL0</u>	0x0318	W	0x00000000	MIPI2 path id3 control0
<u>VICAP MIPI2 ID3 CTRL1</u>	0x031C	W	0x00000000	MIPI2 path id3 control1
<u>VICAP MIPI2 CTRL</u>	0x0320	W	0x00000000	MIPI2 path control
<u>VICAP MIPI2 FRAME0 ADDRESS DDR Y ID0</u>	0x0324	W	0x00000000	First address of even frame for ID0 Y/RAW/RGB path
<u>VICAP MIPI2 FRAME1 ADDRESS DDR Y ID0</u>	0x0328	W	0x00000000	First address of odd frame for ID0 Y path
<u>VICAP MIPI2 FRAME0 ADDRESS DDR UV ID0</u>	0x032C	W	0x00000000	First address of even frame for ID0 UV path
<u>VICAP MIPI2 FRAME1 ADDRESS DDR UV ID0</u>	0x0330	W	0x00000000	First address of odd frame for ID0 UV path
<u>VICAP MIPI2 VLW ID0</u>	0x0334	W	0x00000000	Virtual line width for ID0
<u>VICAP MIPI2 FRAME0 ADDRESS DDR Y ID1</u>	0x0338	W	0x00000000	First address of even frame for ID1 Y/RAW/RGB path

<b>Name</b>	<b>Offset</b>	<b>Size</b>	<b>Reset Value</b>	<b>Description</b>
<u>VICAP MIPI2 FRAME1 A DDR Y ID1</u>	0x033C	W	0x00000000	First address of odd frame for ID1 Y/RAW/RGB path
<u>VICAP MIPI2 FRAME0 A DDR UV ID1</u>	0x0340	W	0x00000000	First address of even frame for ID1 UV path
<u>VICAP MIPI2 FRAME1 A DDR UV ID1</u>	0x0344	W	0x00000000	First address of odd frame for ID1 UV path
<u>VICAP MIPI2 VLW ID1</u>	0x0348	W	0x00000000	Virtual line width of even frame for ID1 path
<u>VICAP MIPI2 FRAME0 A DDR Y ID2</u>	0x034C	W	0x00000000	First address of even frame for ID2 Y/RAW/RGB path
<u>VICAP MIPI2 FRAME1 A DDR Y ID2</u>	0x0350	W	0x00000000	First address of odd frame for ID2 Y/RAW/RGB path
<u>VICAP MIPI2 FRAME0 A DDR UV ID2</u>	0x0354	W	0x00000000	First address of even frame for ID2 UV path
<u>VICAP MIPI2 FRAME1 A DDR UV ID2</u>	0x0358	W	0x00000000	First address of odd frame for ID2 UV path
<u>VICAP MIPI2 VLW ID2</u>	0x035C	W	0x00000000	Virtual line width of even frame for ID2 path
<u>VICAP MIPI2 FRAME0 A DDR Y ID3</u>	0x0360	W	0x00000000	First address of even frame for ID3 Y/RAW/RGB path
<u>VICAP MIPI2 FRAME1 A DDR Y ID3</u>	0x0364	W	0x00000000	First address of odd frame for ID3 Y/RAW/RGB path
<u>VICAP MIPI2 FRAME0 A DDR UV ID3</u>	0x0368	W	0x00000000	First address of even frame for ID3 UV path
<u>VICAP MIPI2 FRAME1 A DDR UV ID3</u>	0x036C	W	0x00000000	First address of odd frame for ID3 UV path
<u>VICAP MIPI2 VLW ID3</u>	0x0370	W	0x00000000	Virtual line width of even frame for ID3 path
<u>VICAP MIPI2 INTEN</u>	0x0374	W	0x00000000	MIPI2 path interrupt enable
<u>VICAP MIPI2 INTSTAT</u>	0x0378	W	0x00000000	MIPI2 path interrupt status
<u>VICAP MIPI2 LINE INT NUM ID0 1</u>	0x037C	W	0x00400040	Line number of the MIPI2 path ID0/1 line interrupt
<u>VICAP MIPI2 LINE INT NUM ID2 3</u>	0x0380	W	0x00400040	Line number of the MIPI2 path ID2/3 line interrupt
<u>VICAP MIPI2 LINE CNT ID0 1</u>	0x0384	W	0x00000000	Line count of the MIPI2 path ID0/1
<u>VICAP MIPI2 LINE CNT ID2 3</u>	0x0388	W	0x00000000	Line count of the MIPI2 path ID2/3
<u>VICAP MIPI2 ID0 CROP START</u>	0x038C	W	0x00000000	The start point of MIPI2 ID0 cropping
<u>VICAP MIPI2 ID1 CROP START</u>	0x0390	W	0x00000000	The start point of MIPI2 ID1 cropping

<b>Name</b>	<b>Offset</b>	<b>Size</b>	<b>Reset Value</b>	<b>Description</b>
<u>VICAP MIPI2 ID2 CROP START</u>	0x0394	W	0x00000000	The start point of MIPI2 ID2 cropping
<u>VICAP MIPI2 ID3 CROP START</u>	0x0398	W	0x00000000	The start point of MIPI2 ID3 cropping
<u>VICAP MIPI2 FRAME NUM VC0</u>	0x039C	W	0x00000000	The frame number of virtual channel 0
<u>VICAP MIPI2 FRAME NUM VC1</u>	0x03A0	W	0x00000000	The frame number of virtual channel 1
<u>VICAP MIPI2 FRAME NUM VC2</u>	0x03A4	W	0x00000000	The frame number of virtual channel 2
<u>VICAP MIPI2 FRAME NUM VC3</u>	0x03A8	W	0x00000000	The frame number of virtual channel 3
<u>VICAP MIPI2 ID0 EFFECT CODE</u>	0x03AC	W	0x00000000	The effect code of MIPI2 ID0
<u>VICAP MIPI2 ID1 EFFECT CODE</u>	0x03B0	W	0x00000000	The effect code of MIPI2 ID1
<u>VICAP MIPI2 ID2 EFFECT CODE</u>	0x03B4	W	0x00000000	The effect code of MIPI2 ID2
<u>VICAP MIPI2 ID3 EFFECT CODE</u>	0x03B8	W	0x00000000	The effect code of MIPI2 ID3
<u>VICAP MIPI2 ON PAD VALUE</u>	0x03BC	W	0x00000000	The ON padding value of MIPI2
<u>VICAP MIPI2 SIZE NUMBER ID0</u>	0x03C0	W	0x00000000	MIPI2 path ID0 SIZE NUMBER
<u>VICAP MIPI2 SIZE NUMBER ID1</u>	0x03C4	W	0x00000000	MIPI2 path ID1 SIZE NUMBER
<u>VICAP MIPI2 SIZE NUMBER ID2</u>	0x03C8	W	0x00000000	MIPI2 path ID2 SIZE NUMBER
<u>VICAP MIPI2 SIZE NUMBER ID3</u>	0x03CC	W	0x00000000	MIPI2 path ID3 SIZE NUMBER
<u>VICAP MIPI3 ID0 CTRL0</u>	0x0400	W	0x00000000	MIPI3 path id0 control0
<u>VICAP MIPI3 ID0 CTRL1</u>	0x0404	W	0x00000000	MIPI3 path id0 control1
<u>VICAP MIPI3 ID1 CTRL0</u>	0x0408	W	0x00000000	MIPI3 path id1 control0
<u>VICAP MIPI3 ID1 CTRL1</u>	0x040C	W	0x00000000	MIPI3 path id1 control1
<u>VICAP MIPI3 ID2 CTRL0</u>	0x0410	W	0x00000000	MIPI3 path id2 control0
<u>VICAP MIPI3 ID2 CTRL1</u>	0x0414	W	0x00000000	MIPI3 path id2 control1
<u>VICAP MIPI3 ID3 CTRL0</u>	0x0418	W	0x00000000	MIPI3 path id3 control0
<u>VICAP MIPI3 ID3 CTRL1</u>	0x041C	W	0x00000000	MIPI3 path id3 control1
<u>VICAP MIPI3 CTRL</u>	0x0420	W	0x00000000	MIPI3 path control
<u>VICAP MIPI3 FRAME0 ADDRESS DDR Y ID0</u>	0x0424	W	0x00000000	First address of even frame for ID0 Y/RAW/RGB path
<u>VICAP MIPI3 FRAME1 ADDRESS DDR Y ID0</u>	0x0428	W	0x00000000	First address of odd frame for ID0 Y path

<b>Name</b>	<b>Offset</b>	<b>Size</b>	<b>Reset Value</b>	<b>Description</b>
<u>VICAP MIPI3 FRAME0 A DDR UV ID0</u>	0x042C	W	0x00000000	First address of even frame for ID0 UV path
<u>VICAP MIPI3 FRAME1 A DDR UV ID0</u>	0x0430	W	0x00000000	First address of odd frame for ID0 UV path
<u>VICAP MIPI3 VLW ID0</u>	0x0434	W	0x00000000	Virtual line width for ID0
<u>VICAP MIPI3 FRAME0 A DDR Y ID1</u>	0x0438	W	0x00000000	First address of even frame for ID1 Y/RAW/RGB path
<u>VICAP MIPI3 FRAME1 A DDR Y ID1</u>	0x043C	W	0x00000000	First address of odd frame for ID1 Y/RAW/RGB path
<u>VICAP MIPI3 FRAME0 A DDR UV ID1</u>	0x0440	W	0x00000000	First address of even frame for ID1 UV path
<u>VICAP MIPI3 FRAME1 A DDR UV ID1</u>	0x0444	W	0x00000000	First address of odd frame for ID1 UV path
<u>VICAP MIPI3 VLW ID1</u>	0x0448	W	0x00000000	Virtual line width of even frame for ID1 path
<u>VICAP MIPI3 FRAME0 A DDR Y ID2</u>	0x044C	W	0x00000000	First address of even frame for ID2 Y/RAW/RGB path
<u>VICAP MIPI3 FRAME1 A DDR Y ID2</u>	0x0450	W	0x00000000	First address of odd frame for ID2 Y/RAW/RGB path
<u>VICAP MIPI3 FRAME0 A DDR UV ID2</u>	0x0454	W	0x00000000	First address of even frame for ID2 UV path
<u>VICAP MIPI3 FRAME1 A DDR UV ID2</u>	0x0458	W	0x00000000	First address of odd frame for ID2 UV path
<u>VICAP MIPI3 VLW ID2</u>	0x045C	W	0x00000000	Virtual line width of even frame for ID2 path
<u>VICAP MIPI3 FRAME0 A DDR Y ID3</u>	0x0460	W	0x00000000	First address of even frame for ID3 Y/RAW/RGB path
<u>VICAP MIPI3 FRAME1 A DDR Y ID3</u>	0x0464	W	0x00000000	First address of odd frame for ID3 Y/RAW/RGB path
<u>VICAP MIPI3 FRAME0 A DDR UV ID3</u>	0x0468	W	0x00000000	First address of even frame for ID3 UV path
<u>VICAP MIPI3 FRAME1 A DDR UV ID3</u>	0x046C	W	0x00000000	First address of odd frame for ID3 UV path
<u>VICAP MIPI3 VLW ID3</u>	0x0470	W	0x00000000	Virtual line width of even frame for ID3 path
<u>VICAP MIPI3 INTEN</u>	0x0474	W	0x00000000	MIPI3 path interrupt enable
<u>VICAP MIPI3 INTSTAT</u>	0x0478	W	0x00000000	MIPI3 path interrupt status
<u>VICAP MIPI3 LINE INT NUM ID0 1</u>	0x047C	W	0x00400040	Line number of the MIPI3 path ID0/1 line interrupt
<u>VICAP MIPI3 LINE INT NUM ID2 3</u>	0x0480	W	0x00400040	Line number of the MIPI3 path ID2/3 line interrupt
<u>VICAP MIPI3 LINE CNT ID0 1</u>	0x0484	W	0x00000000	Line count of the MIPI3 path ID0/1



<b>Name</b>	<b>Offset</b>	<b>Size</b>	<b>Reset Value</b>	<b>Description</b>
<u>VICAP MIPI3 LINE CNT ID2_3</u>	0x0488	W	0x00000000	Line count of the MIPI3 path ID2/3
<u>VICAP MIPI3 ID0 CROP START</u>	0x048C	W	0x00000000	The start point of MIPI3 ID0 cropping
<u>VICAP MIPI3 ID1 CROP START</u>	0x0490	W	0x00000000	The start point of MIPI3 ID1 cropping
<u>VICAP MIPI3 ID2 CROP START</u>	0x0494	W	0x00000000	The start point of MIPI3 ID2 cropping
<u>VICAP MIPI3 ID3 CROP START</u>	0x0498	W	0x00000000	The start point of MIPI3 ID3 cropping
<u>VICAP MIPI3 FRAME NUM_VC0</u>	0x049C	W	0x00000000	The frame number of virtual channel 0
<u>VICAP MIPI3 FRAME NUM_VC1</u>	0x04A0	W	0x00000000	The frame number of virtual channel 1
<u>VICAP MIPI3 FRAME NUM_VC2</u>	0x04A4	W	0x00000000	The frame number of virtual channel 2
<u>VICAP MIPI3 FRAME NUM_VC3</u>	0x04A8	W	0x00000000	The frame number of virtual channel 3
<u>VICAP MIPI3 ID0 EFFECT CODE</u>	0x04AC	W	0x00000000	The effect code of MIPI3 ID0
<u>VICAP MIPI3 ID1 EFFECT CODE</u>	0x04B0	W	0x00000000	The effect code of MIPI3 ID1
<u>VICAP MIPI3 ID2 EFFECT CODE</u>	0x04B4	W	0x00000000	The effect code of MIPI3 ID2
<u>VICAP MIPI3 ID3 EFFECT CODE</u>	0x04B8	W	0x00000000	The effect code of MIPI3 ID3
<u>VICAP MIPI3 ON PAD VALUE</u>	0x04BC	W	0x00000000	The ON padding value of MIPI3
<u>VICAP MIPI3 SIZE NUM ID0</u>	0x04C0	W	0x00000000	MIPI3 path ID0 SIZE NUMBER
<u>VICAP MIPI3 SIZE NUM ID1</u>	0x04C4	W	0x00000000	MIPI3 path ID1 SIZE NUMBER
<u>VICAP MIPI3 SIZE NUM ID2</u>	0x04C8	W	0x00000000	MIPI3 path ID2 SIZE NUMBER
<u>VICAP MIPI3 SIZE NUM ID3</u>	0x04CC	W	0x00000000	MIPI3 path ID3 SIZE NUMBER
<u>VICAP MIPI4 ID0 CTRL0</u>	0x0500	W	0x00000000	MIPI4 path id0 control0
<u>VICAP MIPI4 ID0 CTRL1</u>	0x0504	W	0x00000000	MIPI4 path id0 control1
<u>VICAP MIPI4 ID1 CTRL0</u>	0x0508	W	0x00000000	MIPI4 path id1 control0
<u>VICAP MIPI4 ID1 CTRL1</u>	0x050C	W	0x00000000	MIPI4 path id1 control1
<u>VICAP MIPI4 ID2 CTRL0</u>	0x0510	W	0x00000000	MIPI4 path id2 control0
<u>VICAP MIPI4 ID2 CTRL1</u>	0x0514	W	0x00000000	MIPI4 path id2 control1
<u>VICAP MIPI4 ID3 CTRL0</u>	0x0518	W	0x00000000	MIPI4 path id3 control0

<b>Name</b>	<b>Offset</b>	<b>Size</b>	<b>Reset Value</b>	<b>Description</b>
<u>VICAP MIPI4 ID3 CTRL1</u>	0x051C	W	0x00000000	MIPI4 path id3 control1
<u>VICAP MIPI4 CTRL</u>	0x0520	W	0x00000000	MIPI4 path control
<u>VICAP MIPI4 FRAME0 A DDR Y ID0</u>	0x0524	W	0x00000000	First address of even frame for ID0 Y/RAW/RGB path
<u>VICAP MIPI4 FRAME1 A DDR Y ID0</u>	0x0528	W	0x00000000	First address of odd frame for ID0 Y path
<u>VICAP MIPI4 FRAME0 A DDR UV ID0</u>	0x052C	W	0x00000000	First address of even frame for ID0 UV path
<u>VICAP MIPI4 FRAME1 A DDR UV ID0</u>	0x0530	W	0x00000000	First address of odd frame for ID0 UV path
<u>VICAP MIPI4 VLW ID0</u>	0x0534	W	0x00000000	Virtual line width for ID0
<u>VICAP MIPI4 FRAME0 A DDR Y ID1</u>	0x0538	W	0x00000000	First address of even frame for ID1 Y/RAW/RGB path
<u>VICAP MIPI4 FRAME1 A DDR Y ID1</u>	0x053C	W	0x00000000	First address of odd frame for ID1 Y/RAW/RGB path
<u>VICAP MIPI4 FRAME0 A DDR UV ID1</u>	0x0540	W	0x00000000	First address of even frame for ID1 UV path
<u>VICAP MIPI4 FRAME1 A DDR UV ID1</u>	0x0544	W	0x00000000	First address of odd frame for ID1 UV path
<u>VICAP MIPI4 VLW ID1</u>	0x0548	W	0x00000000	Virtual line width of even frame for ID1 path
<u>VICAP MIPI4 FRAME0 A DDR Y ID2</u>	0x054C	W	0x00000000	First address of even frame for ID2 Y/RAW/RGB path
<u>VICAP MIPI4 FRAME1 A DDR Y ID2</u>	0x0550	W	0x00000000	First address of odd frame for ID2 Y/RAW/RGB path
<u>VICAP MIPI4 FRAME0 A DDR UV ID2</u>	0x0554	W	0x00000000	First address of even frame for ID2 UV path
<u>VICAP MIPI4 FRAME1 A DDR UV ID2</u>	0x0558	W	0x00000000	First address of odd frame for ID2 UV path
<u>VICAP MIPI4 VLW ID2</u>	0x055C	W	0x00000000	Virtual line width of even frame for ID2 path
<u>VICAP MIPI4 FRAME0 A DDR Y ID3</u>	0x0560	W	0x00000000	First address of even frame for ID3 Y/RAW/RGB path
<u>VICAP MIPI4 FRAME1 A DDR Y ID3</u>	0x0564	W	0x00000000	First address of odd frame for ID3 Y/RAW/RGB path
<u>VICAP MIPI4 FRAME0 A DDR UV ID3</u>	0x0568	W	0x00000000	First address of even frame for ID3 UV path
<u>VICAP MIPI4 FRAME1 A DDR UV ID3</u>	0x056C	W	0x00000000	First address of odd frame for ID3 UV path
<u>VICAP MIPI4 VLW ID3</u>	0x0570	W	0x00000000	Virtual line width of even frame for ID3 path
<u>VICAP MIPI4 INTEN</u>	0x0574	W	0x00000000	MIPI4 path interrupt enable
<u>VICAP MIPI4 INTSTAT</u>	0x0578	W	0x00000000	MIPI4 path interrupt status

<b>Name</b>	<b>Offset</b>	<b>Size</b>	<b>Reset Value</b>	<b>Description</b>
<u>VICAP MIPI4 LINE INT NUM ID0 1</u>	0x057C	W	0x00400040	Line number of the MIPI4 path ID0/1 line interrupt
<u>VICAP MIPI4 LINE INT NUM ID2 3</u>	0x0580	W	0x00400040	Line number of the MIPI4 path ID2/3 line interrupt
<u>VICAP MIPI4 LINE CNT ID0 1</u>	0x0584	W	0x00000000	Line count of the MIPI4 path ID0/1
<u>VICAP MIPI4 LINE CNT ID2 3</u>	0x0588	W	0x00000000	Line count of the MIPI4 path ID2/3
<u>VICAP MIPI4 ID0 CROP START</u>	0x058C	W	0x00000000	The start point of MIPI4 ID0 cropping
<u>VICAP MIPI4 ID1 CROP START</u>	0x0590	W	0x00000000	The start point of MIPI4 ID1 cropping
<u>VICAP MIPI4 ID2 CROP START</u>	0x0594	W	0x00000000	The start point of MIPI4 ID2 cropping
<u>VICAP MIPI4 ID3 CROP START</u>	0x0598	W	0x00000000	The start point of MIPI4 ID3 cropping
<u>VICAP MIPI4 FRAME NUM VC0</u>	0x059C	W	0x00000000	The frame number of virtual channel 0
<u>VICAP MIPI4 FRAME NUM VC1</u>	0x05A0	W	0x00000000	The frame number of virtual channel 1
<u>VICAP MIPI4 FRAME NUM VC2</u>	0x05A4	W	0x00000000	The frame number of virtual channel 2
<u>VICAP MIPI4 FRAME NUM VC3</u>	0x05A8	W	0x00000000	The frame number of virtual channel 3
<u>VICAP MIPI4 ID0 EFFECT CODE</u>	0x05AC	W	0x00000000	The effect code of MIPI4 ID0
<u>VICAP MIPI4 ID1 EFFECT CODE</u>	0x05B0	W	0x00000000	The effect code of MIPI4 ID1
<u>VICAP MIPI4 ID2 EFFECT CODE</u>	0x05B4	W	0x00000000	The effect code of MIPI4 ID2
<u>VICAP MIPI4 ID3 EFFECT CODE</u>	0x05B8	W	0x00000000	The effect code of MIPI4 ID3
<u>VICAP MIPI4 ON PAD VALUE</u>	0x05BC	W	0x00000000	The ON padding value of MIPI4
<u>VICAP MIPI4 SIZE NUM ID0</u>	0x05C0	W	0x00000000	MIPI4 path ID0 SIZE NUMBER
<u>VICAP MIPI4 SIZE NUM ID1</u>	0x05C4	W	0x00000000	MIPI4 path ID1 SIZE NUMBER
<u>VICAP MIPI4 SIZE NUM ID2</u>	0x05C8	W	0x00000000	MIPI4 path ID2 SIZE NUMBER
<u>VICAP MIPI4 SIZE NUM ID3</u>	0x05CC	W	0x00000000	MIPI4 path ID3 SIZE NUMBER
<u>VICAP MIPI5 ID0 CTRL0</u>	0x0600	W	0x00000000	MIPI5 path id0 control0

<b>Name</b>	<b>Offset</b>	<b>Size</b>	<b>Reset Value</b>	<b>Description</b>
<u>VICAP MIPI5 ID0 CTRL1</u>	0x0604	W	0x00000000	MIPI5 path id0 control1
<u>VICAP MIPI5 ID1 CTRL0</u>	0x0608	W	0x00000000	MIPI5 path id1 control0
<u>VICAP MIPI5 ID1 CTRL1</u>	0x060C	W	0x00000000	MIPI5 path id1 control1
<u>VICAP MIPI5 ID2 CTRL0</u>	0x0610	W	0x00000000	MIPI5 path id2 control0
<u>VICAP MIPI5 ID2 CTRL1</u>	0x0614	W	0x00000000	MIPI5 path id2 control1
<u>VICAP MIPI5 ID3 CTRL0</u>	0x0618	W	0x00000000	MIPI5 path id3 control0
<u>VICAP MIPI5 ID3 CTRL1</u>	0x061C	W	0x00000000	MIPI5 path id3 control1
<u>VICAP MIPI5 CTRL</u>	0x0620	W	0x00000000	MIPI5 path control
<u>VICAP MIPI5 FRAME0 A DDR Y ID0</u>	0x0624	W	0x00000000	First address of even frame for ID0 Y/RAW/RGB path
<u>VICAP MIPI5 FRAME1 A DDR Y ID0</u>	0x0628	W	0x00000000	First address of odd frame for ID0 Y path
<u>VICAP MIPI5 FRAME0 A DDR UV ID0</u>	0x062C	W	0x00000000	First address of even frame for ID0 UV path
<u>VICAP MIPI5 FRAME1 A DDR UV ID0</u>	0x0630	W	0x00000000	First address of odd frame for ID0 UV path
<u>VICAP MIPI5 VLW ID0</u>	0x0634	W	0x00000000	Virtual line width for ID0
<u>VICAP MIPI5 FRAME0 A DDR Y ID1</u>	0x0638	W	0x00000000	First address of even frame for ID1 Y/RAW/RGB path
<u>VICAP MIPI5 FRAME1 A DDR Y ID1</u>	0x063C	W	0x00000000	First address of odd frame for ID1 Y/RAW/RGB path
<u>VICAP MIPI5 FRAME0 A DDR UV ID1</u>	0x0640	W	0x00000000	First address of even frame for ID1 UV path
<u>VICAP MIPI5 FRAME1 A DDR UV ID1</u>	0x0644	W	0x00000000	First address of odd frame for ID1 UV path
<u>VICAP MIPI5 VLW ID1</u>	0x0648	W	0x00000000	Virtual line width of even frame for ID1 path
<u>VICAP MIPI5 FRAME0 A DDR Y ID2</u>	0x064C	W	0x00000000	First address of even frame for ID2 Y/RAW/RGB path
<u>VICAP MIPI5 FRAME1 A DDR Y ID2</u>	0x0650	W	0x00000000	First address of odd frame for ID2 Y/RAW/RGB path
<u>VICAP MIPI5 FRAME0 A DDR UV ID2</u>	0x0654	W	0x00000000	First address of even frame for ID2 UV path
<u>VICAP MIPI5 FRAME1 A DDR UV ID2</u>	0x0658	W	0x00000000	First address of odd frame for ID2 UV path
<u>VICAP MIPI5 VLW ID2</u>	0x065C	W	0x00000000	Virtual line width of even frame for ID2 path
<u>VICAP MIPI5 FRAME0 A DDR Y ID3</u>	0x0660	W	0x00000000	First address of even frame for ID3 Y/RAW/RGB path
<u>VICAP MIPI5 FRAME1 A DDR Y ID3</u>	0x0664	W	0x00000000	First address of odd frame for ID3 Y/RAW/RGB path
<u>VICAP MIPI5 FRAME0 A DDR UV ID3</u>	0x0668	W	0x00000000	First address of even frame for ID3 UV path

<b>Name</b>	<b>Offset</b>	<b>Size</b>	<b>Reset Value</b>	<b>Description</b>
<u>VICAP MIPI5 FRAME1 A DDR UV ID3</u>	0x066C	W	0x00000000	First address of odd frame for ID3 UV path
<u>VICAP MIPI5 VLW ID3</u>	0x0670	W	0x00000000	Virtual line width of even frame for ID3 path
<u>VICAP MIPI5 INTEN</u>	0x0674	W	0x00000000	MIPI5 path interrupt enable
<u>VICAP MIPI5 INTSTAT</u>	0x0678	W	0x00000000	MIPI5 path interrupt status
<u>VICAP MIPI5 LINE INT NUM ID0 1</u>	0x067C	W	0x00400040	Line number of the MIPI5 path ID0/1 line interrupt
<u>VICAP MIPI5 LINE INT NUM ID2 3</u>	0x0680	W	0x00400040	Line number of the MIPI5 path ID2/3 line interrupt
<u>VICAP MIPI5 LINE CNT ID0 1</u>	0x0684	W	0x00000000	Line count of the MIPI5 path ID0/1
<u>VICAP MIPI5 LINE CNT ID2 3</u>	0x0688	W	0x00000000	Line count of the MIPI5 path ID2/3
<u>VICAP MIPI5 ID0 CROP START</u>	0x068C	W	0x00000000	The start point of MIPI5 ID0 cropping
<u>VICAP MIPI5 ID1 CROP START</u>	0x0690	W	0x00000000	The start point of MIPI5 ID1 cropping
<u>VICAP MIPI5 ID2 CROP START</u>	0x0694	W	0x00000000	The start point of MIPI5 ID2 cropping
<u>VICAP MIPI5 ID3 CROP START</u>	0x0698	W	0x00000000	The start point of MIPI5 ID3 cropping
<u>VICAP MIPI5 FRAME NUM VC0</u>	0x069C	W	0x00000000	The frame number of virtual channel 0
<u>VICAP MIPI5 FRAME NUM VC1</u>	0x06A0	W	0x00000000	The frame number of virtual channel 1
<u>VICAP MIPI5 FRAME NUM VC2</u>	0x06A4	W	0x00000000	The frame number of virtual channel 2
<u>VICAP MIPI5 FRAME NUM VC3</u>	0x06A8	W	0x00000000	The frame number of virtual channel 3
<u>VICAP MIPI5 ID0 EFFECT CODE</u>	0x06AC	W	0x00000000	The effect code of MIPI5 ID0
<u>VICAP MIPI5 ID1 EFFECT CODE</u>	0x06B0	W	0x00000000	The effect code of MIPI5 ID1
<u>VICAP MIPI5 ID2 EFFECT CODE</u>	0x06B4	W	0x00000000	The effect code of MIPI5 ID2
<u>VICAP MIPI5 ID3 EFFECT CODE</u>	0x06B8	W	0x00000000	The effect code of MIPI5 ID3
<u>VICAP MIPI5 ON PAD VALUE</u>	0x06BC	W	0x00000000	The ON padding value of MIPI5
<u>VICAP MIPI5 SIZE NUM ID0</u>	0x06C0	W	0x00000000	MIPI5 path ID0 SIZE NUMBER

<b>Name</b>	<b>Offset</b>	<b>Size</b>	<b>Reset Value</b>	<b>Description</b>
<u>VICAP MIPI5 SIZE NUM ID1</u>	0x06C4	W	0x00000000	MIPI5 path ID1 SIZE NUMBER
<u>VICAP MIPI5 SIZE NUM ID2</u>	0x06C8	W	0x00000000	MIPI5 path ID2 SIZE NUMBER
<u>VICAP MIPI5 SIZE NUM ID3</u>	0x06CC	W	0x00000000	MIPI5 path ID3 SIZE NUMBER
<u>VICAP SCL CH CTRL</u>	0x0700	W	0x00000000	Scale channel0 path control
<u>VICAP SCL CTRL</u>	0x0704	W	0x00000000	MIPI3 path control
<u>VICAP SCL FRAME0 ADDR CH0</u>	0x0708	W	0x00000000	First address of even frame for CH0 path
<u>VICAP SCL FRAME1 ADDR CH0</u>	0x070C	W	0x00000000	First address of odd frame for CH0 path
<u>VICAP SCL VLW CH0</u>	0x0710	W	0x00000000	Virtual line width for CH0
<u>VICAP SCL FRAME0 ADDR CH1</u>	0x0714	W	0x00000000	First address of even frame for CH1 path
<u>VICAP SCL FRAME1 ADDR CH1</u>	0x0718	W	0x00000000	First address of odd frame for CH1 path
<u>VICAP SCL VLW CH1</u>	0x071C	W	0x00000000	Virtual line width for CH0
<u>VICAP SCL FRAME0 ADDR CH2</u>	0x0720	W	0x00000000	First address of even frame for CH2 path
<u>VICAP SCL FRAME1 ADDR CH2</u>	0x0724	W	0x00000000	First address of odd frame for CH2 path
<u>VICAP SCL VLW CH2</u>	0x0728	W	0x00000000	Virtual line width for CH2
<u>VICAP SCL FRAME0 ADDR CH3</u>	0x072C	W	0x00000000	First address of even frame for CH3 path
<u>VICAP SCL FRAME1 ADDR CH3</u>	0x0730	W	0x00000000	First address of odd frame for CH1 path
<u>VICAP SCL VLW CH3</u>	0x0734	W	0x00000000	Virtual line width for CH3
<u>VICAP SCL CH0 BLACK LEVEL</u>	0x0738	W	0x00000000	Scale channel0 black level
<u>VICAP SCL CH1 BLACK LEVEL</u>	0x073C	W	0x00000000	Scale channel1 black level
<u>VICAP SCL CH2 BLACK LEVEL</u>	0x0740	W	0x00000000	Scale channel2 black level
<u>VICAP SCL CH3 BLACK LEVEL</u>	0x0744	W	0x00000000	Scale channel3 black level
<u>VICAP TOISP0 CH CTRL</u>	0x0780	W	0x00000000	TOISP0 path control
<u>VICAP TOISP0 CROP SIZE</u>	0x0784	W	0x01E002D0	The expected width and height of received image
<u>VICAP TOISP0 CROP START</u>	0x0788	W	0x00000000	The start point of toisp0 path cropping
<u>VICAP TOISP1 CH CTRL</u>	0x078C	W	0x00000000	TOISP1 path control

Name	Offset	Size	Reset Value	Description
<u>VICAP TOISP1 CROP SIZE</u>	0x0790	W	0x01E002D0	The expected width and height of received image
<u>VICAP TOISP1 CROP START</u>	0x0794	W	0x00000000	The start point of toisp1 path cropping
<u>VICAP MMU0 DTE ADDR</u>	0x0800	W	0x00000000	MMU0 current page table address
<u>VICAP MMU0 STATUS</u>	0x0804	W	0x00000000	MMU0 status register
<u>VICAP MMU0 COMMAND</u>	0x0808	W	0x00000000	MMU0 command register
<u>VICAP MMU0 PAGE FAULT_ADDR</u>	0x080C	W	0x00000000	MMU0 logical address of last page fault
<u>VICAP MMU0 ZAP ONE LINE</u>	0x0810	W	0x00000000	MMU0 Zap cache line register
<u>VICAP MMU0 INT RAWSTATUS</u>	0x0814	W	0x00000000	MMU0 raw interrupt status register
<u>VICAP MMU0 INT CLEAR</u>	0x0818	W	0x00000000	MMU0 interrupt status clear
<u>VICAP MMU0 INT MASK</u>	0x081C	W	0x00000000	MMU0 interrupt mask
<u>VICAP MMU0 INT STATUS</u>	0x0820	W	0x00000000	MMU0 interrupt status
<u>VICAP MMU0 AUTO GATING</u>	0x0824	W	0x00000000	MMU0 auto gating
<u>VICAP MMU1 DTE ADDR</u>	0x0900	W	0x00000000	MMU1 current page table address
<u>VICAP MMU1 STATUS</u>	0x0904	W	0x00000000	MMU1 status register
<u>VICAP MMU1 COMMAND</u>	0x0908	W	0x00000000	MMU1 command register
<u>VICAP MMU1 PAGE FAULT_ADDR</u>	0x090C	W	0x00000000	MMU1 logical address of last page fault
<u>VICAP MMU1 ZAP ONE LINE</u>	0x0910	W	0x00000000	MMU1 Zap cache line register
<u>VICAP MMU1 INT RAWSTATUS</u>	0x0914	W	0x00000000	MMU1 raw interrupt status register
<u>VICAP MMU1 INT CLEAR</u>	0x0918	W	0x00000000	MMU1 interrupt status clear
<u>VICAP MMU1 INT MASK</u>	0x091C	W	0x00000000	MMU1 interrupt mask
<u>VICAP MMU1 INT STATUS</u>	0x0920	W	0x00000000	MMU1 interrupt status
<u>VICAP MMU1 AUTO GATING</u>	0x0924	W	0x00000000	MMU1 auto gating

Notes: **Size:** **B**- Byte (8 bits) access, **HW**- Half WORD (16 bits) access, **W**-WORD (32 bits) access, **DW**- Double WORD (64 bits) access

### 37.4.3 Detail Registers Description

#### **VICAP GLB CTRL**

Address: Operational Base + offset (0x0000)

Bit	Attr	Reset Value	Description
31:17	RO	0x0000	reserved

Bit	Attr	Reset Value	Description
16	RW	0x1	ro_axi_idle 1'b0: AXI is working 1'b1: AXI is idle.
15:9	RO	0x00	reserved
8	RW	0x0	sw_clk_gating_dis 1'b0: Enable the auto clk gating 1'b1: Disable the auto clk gating
7	RO	0x0	reserved
6:5	RW	0x0	sw_soft_rst_mode 2'b00: Soft reset and protect toisp path frame integrity; 2'b01: Soft reset and protect toisp path frame integrity and pull down sw_cap_en automatically; 2'b10: Soft reset directly; 2'b11: Reserved.
4	RW	0x0	sw_soft_rst 1'b0: Not reset 1'b1: Reset the VICAP(except MMU/AXI MASTER/REG FILE)
3:1	RO	0x0	reserved
0	RW	0x1	sw_cap_en 1'b0: Disable all interface capture 1'b1: Enable capture(still depends on sw_XXX_cap_en).

**VICAP GLB INTEN**

Address: Operational Base + offset (0x0004)

Bit	Attr	Reset Value	Description
31:28	RO	0x0	reserved
27	RW	0x0	toisp1_fifo_overflow_inten Enable the interrupt of fifo overflow of TOISP1 path. 1'b0: Disable 1'b1: Enable
26	RW	0x0	toisp0_fifo_overflow_inten Enable the interrupt of fifo overflow of TOISP0 path. 1'b0: Disable 1'b1: Enable
25	RW	0x0	frame_end_toisp1_ch2_inten Enable the interrupt of frame end for TOISP1 channel2. 1'b0: Disable 1'b1: Enable
24	RW	0x0	frame_end_toisp1_ch1_inten Enable the interrupt of frame end for TOISP1 channel1. 1'b0: Disable 1'b1: Enable



Bit	Attr	Reset Value	Description
23	RW	0x0	frame_end_toisp1_ch0_inten Enable the interrupt of frame end for TOISP1 channel0. 1'b0: Disable 1'b1: Enable
22	RW	0x0	frame_end_toisp0_ch2_inten Enable the interrupt of frame end for TOISP0 channel2. 1'b0: Disable 1'b1: Enable
21	RW	0x0	frame_end_toisp0_ch1_inten Enable the interrupt of frame end for TOISP0 channel1. 1'b0: Disable 1'b1: Enable
20	RW	0x0	frame_end_toisp0_ch0_inten Enable the interrupt of frame end for TOISP0 channel0. 1'b0: Disable 1'b1: Enable
19	RW	0x0	frame_start_toisp1_ch2_inten Enable the interrupt of frame start for TOISP1 channel2. 1'b0: Disable 1'b1: Enable
18	RW	0x0	frame_start_toisp1_ch1_inten Enable the interrupt of frame start for TOISP1 channel1. 1'b0: Disable 1'b1: Enable
17	RW	0x0	frame_start_toisp1_ch0_inten Enable the interrupt of frame start for TOISP1 channel0. 1'b0: Disable 1'b1: Enable
16	RW	0x0	frame_start_toisp0_ch2_inten Enable the interrupt of frame start for TOISP0 channel2. 1'b0: Disable 1'b1: Enable
15	RW	0x0	frame_start_toisp0_ch1_inten Enable the interrupt of frame start for TOISP0 channel1. 1'b0: Disable 1'b1: Enable
14	RW	0x0	frame_start_toisp0_ch0_inten Enable the interrupt of frame start for TOISP0 channel0. 1'b0: Disable 1'b1: Enable
13	RW	0x0	dma_fifo_overflow_scl_ch3_inten Enable the interrupt of dma fifo overflow of scale path CH3. 1'b0: Disable 1'b1: Enable

Bit	Attr	Reset Value	Description
12	RW	0x0	dma_fifo_overflow_scl_ch2_inten Enable the interrupt of dma fifo overflow of scale path CH2. 1'b0: Disable 1'b1: Enable
11	RW	0x0	dma_fifo_overflow_scl_ch1_inten Enable the interrupt of dma fifo overflow of scale path CH1. 1'b0: Disable 1'b1: Enable
10	RW	0x0	dma_fifo_overflow_scl_ch0_inten Enable the interrupt of dma fifo overflow of scale path CH0. 1'b0: Disable 1'b1: Enable
9	RW	0x0	frame1_dma_end_scl_ch3_inten Enable the interrupt of end of odd frame for scale CH3. 1'b0: Disable 1'b1: Enable
8	RW	0x0	frame0_dma_end_scl_ch3_inten Enable the interrupt of end of even frame for scale CH3. 1'b0: Disable 1'b1: Enable
7	RW	0x0	frame1_dma_end_scl_ch2_inten Enable the interrupt of end of odd frame for scale CH2. 1'b0: Disable 1'b1: Enable
6	RW	0x0	frame0_dma_end_scl_ch2_inten Enable the interrupt of end of even frame for scale CH2. 1'b0: Disable 1'b1: Enable
5	RW	0x0	frame1_dma_end_scl_ch1_inten Enable the interrupt of end of odd frame for scale CH1. 1'b0: Disable 1'b1: Enable
4	RW	0x0	frame0_dma_end_scl_ch1_inten Enable the interrupt of end of even frame for scale CH1. 1'b0: Disable 1'b1: Enable
3	RW	0x0	frame1_dma_end_scl_ch0_inten Enable the interrupt of end of odd frame for scale CH0. 1'b0: Disable 1'b1: Enable
2	RW	0x0	frame0_dma_end_scl_ch0_inten Enable the interrupt of end of even frame for scale CH0. 1'b0: Disable 1'b1: Enable

Bit	Attr	Reset Value	Description
1	RW	0x0	axi1_bus_err_inten Enable the interrupt of axi1 bus error. 1'b0: Disable 1'b1: Enable
0	RW	0x0	axi0_bus_err_inten Enable the interrupt of axi0 bus error. 1'b0: Disable 1'b1: Enable

**VICAP GLB INTST**

Address: Operational Base + offset (0x0008)

Bit	Attr	Reset Value	Description
31:28	RO	0x0	reserved
27	W1 C	0x0	toisp1_fifo_overflow_intst 1'b0: No interrupt 1'b1: Interrupt
26	W1 C	0x0	toisp0_fifo_overflow_intst 1'b0: No interrupt 1'b1: Interrupt
25	W1 C	0x0	frame_end_toisp1_ch2_intst 1'b0: No interrupt 1'b1: Interrupt
24	W1 C	0x0	frame_end_toisp1_ch1_intst 1'b0: No interrupt 1'b1: Interrupt
23	W1 C	0x0	frame_end_toisp1_ch0_intst 1'b0: No interrupt 1'b1: Interrupt
22	W1 C	0x0	frame_end_toisp0_ch2_intst 1'b0: No interrupt 1'b1: Interrupt
21	W1 C	0x0	frame_end_toisp0_ch1_intst 1'b0: No interrupt 1'b1: Interrupt
20	W1 C	0x0	frame_end_toisp0_ch0_intst 1'b0: No interrupt 1'b1: Interrupt
19	W1 C	0x0	frame_start_toisp1_ch2_intst 1'b0: No interrupt 1'b1: Interrupt
18	W1 C	0x0	frame_start_toisp1_ch1_intst 1'b0: No interrupt 1'b1: Interrupt

Bit	Attr	Reset Value	Description
17	W1 C	0x0	frame_start_toisp1_ch0_intst 1'b0: No interrupt 1'b1: Interrupt
16	W1 C	0x0	frame_start_toisp0_ch2_intst 1'b0: No interrupt 1'b1: Interrupt
15	W1 C	0x0	frame_start_toisp0_ch1_intst 1'b0: No interrupt 1'b1: Interrupt
14	W1 C	0x0	frame_start_toisp0_ch0_intst 1'b0: No interrupt 1'b1: Interrupt
13	W1 C	0x0	dma_fifo_overflow_scl_ch3_intst 1'b0: No interrupt 1'b1: Interrupt
12	W1 C	0x0	dma_fifo_overflow_scl_ch2_intst 1'b0: No interrupt 1'b1: Interrupt
11	W1 C	0x0	dma_fifo_overflow_scl_ch1_intst 1'b0: No interrupt 1'b1: Interrupt
10	W1 C	0x0	dma_fifo_overflow_scl_ch0_intst 1'b0: No interrupt 1'b1: Interrupt
9	W1 C	0x0	frame1_dma_end_scl_ch3_intst 1'b0: No interrupt 1'b1: Interrupt
8	W1 C	0x0	frame0_dma_end_scl_ch3_intst 1'b0: No interrupt 1'b1: Interrupt
7	W1 C	0x0	frame1_dma_end_scl_ch2_intst 1'b0: No interrupt 1'b1: Interrupt
6	W1 C	0x0	frame0_dma_end_scl_ch2_intst 1'b0: No interrupt 1'b1: Interrupt
5	W1 C	0x0	frame1_dma_end_scl_ch1_intst 1'b0: No interrupt 1'b1: Interrupt
4	W1 C	0x0	frame0_dma_end_scl_ch1_intst 1'b0: No interrupt 1'b1: Interrupt
3	W1 C	0x0	frame1_dma_end_scl_ch0_intst 1'b0: No interrupt 1'b1: Interrupt

Bit	Attr	Reset Value	Description
2	W1 C	0x0	frame0_dma_end_scl_ch0_intst 1'b0: No interrupt 1'b1: Interrupt
1	W1 C	0x0	axi1_bus_err_intst 1'b0: No interrupt 1'b1: Interrupt
0	W1 C	0x0	axi0_bus_err_intst 1'b0: No interrupt 1'b1: Interrupt

**VICAP DVP CTRL**

Address: Operational Base + offset (0x0010)

Bit	Attr	Reset Value	Description
31:20	RO	0x000	reserved
19:18	RW	0x0	sw_soft_rst_mode 2'b00: Soft reset and protect toisp path frame integrity; 2'b01: Soft reset and protect toisp path frame integrity and pull down sw_cap_en automatically; 2'b10: Soft reset directly; 2'b11: Reserved.
17	RW	0x0	sw_soft_rst 1'b0: Not reset 1'b1: Reset the VICAP DVP path(except MMU/AXI MASTER/REG FILE)
16	RW	0x0	sw_dma_rst Write 1 will reset VICAP DVP path dma. When this bit change to 0,dma is reseted completely.
15:13	RW	0x0	sw_press_value Press value.
12	RW	0x0	sw_press_en 1'b0: Disable 1'b1: Enable
11:9	RW	0x0	sw_hurry_value Hurry value.
8	RW	0x0	sw_hurry_en 1'b0: Disable 1'b1: Enable
7	RO	0x0	reserved
6:5	RW	0x0	sw_water_line 2'b00: 75% 2'b01: 50% 2'b10: 25% 2'b11: 0%
4:2	RO	0x0	reserved

Bit	Attr	Reset Value	Description
1	RW	0x0	sw_dma_en 1'b0: Disable 1'b1: Enable
0	RW	0x0	sw_cap_en 1'b0: Disable 1'b1: Enable

**VICAP DVP INTEN**

Address: Operational Base + offset (0x0014)

Bit	Attr	Reset Value	Description
31:26	RO	0x00	reserved
25	RW	0x0	size_err_id3_inten 1'b0: Disable 1'b1: Enable
24	RW	0x0	size_err_id2_inten 1'b0: Disable 1'b1: Enable
23	RW	0x0	size_err_id1_inten 1'b0: Disable 1'b1: Enable
22	RW	0x0	size_err_id0_inten 1'b0: Disable 1'b1: Enable
21	RW	0x0	line_id3_inten 1'b0: Disable 1'b1: Enable
20	RW	0x0	line_id2_inten 1'b0: Disable 1'b1: Enable
19	RW	0x0	line_id1_inten 1'b0: Disable 1'b1: Enable
18	RW	0x0	line_id0_inten 1'b0: Disable 1'b1: Enable
17	RW	0x0	bandwidth_lack_inten Enable the interrupt of bandwidth lack. 1'b0: Disable 1'b1: Enable
16	RW	0x0	dma_fifo_overflow_inten Enable the interrupt of dma fifo overflow . 1'b0: Disable 1'b1: Enable

Bit	Attr	Reset Value	Description
15	RW	0x0	frame1_dma_end_id3_inten Enable the interrupt of end of odd frame for ID1. 1'b0: Disable 1'b1: Enable
14	RW	0x0	frame0_dma_end_id3_inten Enable the interrupt of end of even frame for ID3. 1'b0: Disable 1'b1: Enable
13	RW	0x0	frame1_dma_end_id2_inten Enable the interrupt of end of odd frame for ID1. 1'b0: Disable 1'b1: Enable
12	RW	0x0	frame0_dma_end_id2_inten Enable the interrupt of end of even frame for ID2. 1'b0: Disable 1'b1: Enable
11	RW	0x0	frame1_dma_end_id1_inten Enable the interrupt of end of odd frame for ID1. 1'b0: Disable 1'b1: Enable
10	RW	0x0	frame0_dma_end_id1_inten Enable the interrupt of end of even frame for ID1. 1'b0: Disable 1'b1: Enable
9	RW	0x0	frame1_dma_end_id0_inten Enable the interrupt of end of odd frame for ID0. 1'b0: Disable 1'b1: Enable
8	RW	0x0	frame0_dma_end_id0_inten Enable the interrupt of end of even frame for ID0. 1'b0: Disable 1'b1: Enable
7	RW	0x0	frame1_start_id3_inten Enable the interrupt of start of odd frame for ID3. 1'b0: Disable 1'b1: Enable
6	RW	0x0	frame0_start_id3_inten Enable the interrupt of start of even frame for ID3. 1'b0: Disable 1'b1: Enable
5	RW	0x0	frame1_start_id2_inten Enable the interrupt of start of odd frame for ID2. 1'b0: Disable 1'b1: Enable

Bit	Attr	Reset Value	Description
4	RW	0x0	frame0_start_id2_inten Enable the interrupt of start of even frame for ID2. 1'b0: Disable 1'b1: Enable
3	RW	0x0	frame1_start_id1_inten Enable the interrupt of start of odd frame for ID1. 1'b0: Disable 1'b1: Enable
2	RW	0x0	frame0_start_id1_inten Enable the interrupt of start of even frame for ID1. 1'b0: Disable 1'b1: Enable
1	RW	0x0	frame1_start_id0_inten Enable the interrupt of start of odd frame for ID0. 1'b0: Disable 1'b1: Enable
0	RW	0x0	frame0_start_id0_inten Enable the interrupt of start of even frame for ID0. 1'b0: Disable 1'b1: Enable

**VICAP DVP INTSTAT**

Address: Operational Base + offset (0x0018)

Bit	Attr	Reset Value	Description
31:26	RO	0x00	reserved
25	W1 C	0x0	size_err_id3_intst 1'b0: No interrupt 1'b1: Interrupt
24	W1 C	0x0	size_err_id2_intst 1'b0: No interrupt 1'b1: Interrupt
23	W1 C	0x0	size_err_id1_intst 1'b0: No interrupt 1'b1: Interrupt
22	W1 C	0x0	size_err_id0_intst 1'b0: No interrupt 1'b1: Interrupt
21	W1 C	0x0	line_id3_intst 1'b0: No interrupt 1'b1: Interrupt
20	W1 C	0x0	line_id2_intst 1'b0: No interrupt 1'b1: Interrupt



Bit	Attr	Reset Value	Description
19	W1 C	0x0	line_id1_intst 1'b0: No interrupt 1'b1: Interrupt
18	W1 C	0x0	line_id0_intst 1'b0: No interrupt 1'b1: Interrupt
17	W1 C	0x0	bandwidth_lack_intst 1'b0: No interrupt 1'b1: Interrupt
16	W1 C	0x0	dma_fifo_overflow_intst 1'b0: No interrupt 1'b1: Interrupt
15	W1 C	0x0	frame1_dma_end_id3_intst 1'b0: No interrupt 1'b1: Interrupt
14	W1 C	0x0	frame0_dma_end_id3_intst 1'b0: No interrupt 1'b1: Interrupt
13	W1 C	0x0	frame1_dma_end_id2_intst 1'b0: No interrupt 1'b1: Interrupt
12	W1 C	0x0	frame0_dma_end_id2_intst 1'b0: No interrupt 1'b1: Interrupt
11	W1 C	0x0	frame1_dma_end_id1_intst 1'b0: No interrupt 1'b1: Interrupt
10	W1 C	0x0	frame0_dma_end_id1_intst 1'b0: No interrupt 1'b1: Interrupt
9	W1 C	0x0	frame1_dma_end_id0_intst 1'b0: No interrupt 1'b1: Interrupt
8	W1 C	0x0	frame0_dma_end_id0_intst 1'b0: No interrupt 1'b1: Interrupt
7	W1 C	0x0	frame1_start_id3_intst 1'b0: No interrupt 1'b1: Interrupt
6	W1 C	0x0	frame0_start_id3_intst 1'b0: No interrupt 1'b1: Interrupt
5	W1 C	0x0	frame1_start_id2_intst 1'b0: No interrupt 1'b1: Interrupt

Bit	Attr	Reset Value	Description
4	W1 C	0x0	frame0_start_id2_intst 1'b0: No interrupt 1'b1: Interrupt
3	W1 C	0x0	frame1_start_id1_intst 1'b0: No interrupt 1'b1: Interrupt
2	W1 C	0x0	frame0_start_id1_intst 1'b0: No interrupt 1'b1: Interrupt
1	W1 C	0x0	frame1_start_id0_intst 1'b0: No interrupt 1'b1: Interrupt
0	W1 C	0x0	frame0_start_id0_intst 1'b0: No interrupt 1'b1: Interrupt

**VICAP DVP FORMAT**

Address: Operational Base + offset (0x001C)

Bit	Attr	Reset Value	Description
31:30	RW	0x0	sw_multi_id_mode 2'd0: 1to1 (ID0 will work) 2'd1: 1to2 (ID0/ID1 will work) 2'd2: 1to4 (ID0/ID1/ID2/ID3 will work) 2'd3: Reserved
29	RW	0x0	sw_multi_id_sel Only for BT1120. 1'b0: Parse the id by data[11:8] 1'b1: Parse the id by data[3:0]
28	RW	0x0	sw_multi_id_en 1'b0: Disable multi-ID bt656/bt1120 received 1'b1: Enable multi-ID bt656/bt1120 received
27:22	RO	0x00	reserved
21	RW	0x0	sw_align 1'b0: Low alignment(raw10/12 will in [9:0]/[11:0]) 1'b1: High alignment(raw10/12 will in [15:6]/[15:4]) Only be used when non-compacted mode.
20:19	RW	0x0	sw_yuv_out_order 2'b00: UYVY 2'b01: VYUY 2'b10: YUYV 2'b11: YVYU

Bit	Attr	Reset Value	Description
18:16	RW	0x0	sw_wrddr_type 3'b000: Raw-compact 3'b001: Raw-uncompact 3'b010: YUV packet 3'b011: YUV 400 3'b100: YUV 422sp 3'b101: YUV 420sp Others: Reserved
15:14	RO	0x0	reserved
13	RW	0x0	sw_only_sav_mode 1'b0: Detect SAV and EAV 1'b1: Only detect SAV
12	RW	0x0	sw_yc_swap 1'b0: No swap for y and c 1'b1: Swap for y and c Only for BT1120 mode.
11	RW	0x0	sw_dualedge_en 1'b0: Only use single edge of clock 1'b1: Use double edges of clock Only for BT1120 mode.
10	RW	0x0	sw_field_order 1'b0: Odd field first 1'b1: Even field first.
9	RW	0x0	sw_interlace_en 1'b0: Progress 1'b1: Interlace
8:7	RW	0x0	sw_raw_width 2'b00: 8bit raw data 2'b01: 10bit raw data 2'b10: 12bit raw data 2'b11: Reserved
6:5	RW	0x0	sw_yuv_in_order 2'b00: UYVY 2'b01: VYUY 2'b10: YUYV 2'b11: YVYU
4:2	RW	0x0	sw_input_mode 3'b000: BT601 YUV422 3'b001: BT601 RAW 3'b010: BT656 YUV422 3'b011: BT1120 YUV422 3'b100: SONY RAW Others: Reserved

Bit	Attr	Reset Value	Description
1	RW	0x0	sw_href_pol 1'b0: High active 1'b1: Low active
0	RW	0x0	sw_vsync_pol 1'b0: Low active 1'b1: High active

**VICAP DVP MULTI ID**

Address: Operational Base + offset (0x0020)

Bit	Attr	Reset Value	Description
31:28	RW	0x0	sw_chid_bit_en_id3 Bit enable for chid_id3. Eg: chid_id3 = 4'b1111 and chid_bit_en_id3 = 4'b0011. Then the data[3:0] = 4'bxx11 will be detected.
27:24	RW	0x0	sw_chid_id3 The channel id for id3.
23:20	RW	0x0	sw_chid_bit_en_id2 Bit enable for chid_id2. Eg: chid_id2 = 4'b1111 and chid_bit_en_id2 = 4'b0011. Then the data[3:0] = 4'bxx11 will be detected.
19:16	RW	0x0	sw_chid_id2 The channel id for id2.
15:12	RW	0x0	sw_chid_bit_en_id1 Bit enable for chid_id1. Eg: chid_id1 = 4'b1111 and chid_bit_en_id1 = 4'b0011. Then the data[3:0] = 4'bxx11 will be detected.
11:8	RW	0x0	sw_chid_id1 The channel id for id1.
7:4	RW	0x0	sw_chid_bit_en_id0 Bit enable for chid_id0. Eg: chid_id0 = 4'b1111 and chid_bit_en_id0 = 4'b0011. Then the data[3:0] = 4'bxx11 will be detected.
3:0	RW	0x0	sw_chid_id0 The channel id for id0.

**VICAP DVP SAV EAV**

Address: Operational Base + offset (0x0024)

Bit	Attr	Reset Value	Description
31:28	RW	0xf	sw_eav_blk1 EAV for even field blank.
27:24	RW	0xe	sw_sav_blk1 SAV for even field blank.
23:20	RW	0xd	sw_eav_act1 EAV for even field active.

Bit	Attr	Reset Value	Description
19:16	RW	0xc	sw_sav_act1 SAV for even field active.
15:12	RW	0xb	sw_eav_blk0 EAV for odd field blank.
11:8	RW	0xa	sw_sav_blk0 SAV for odd field blank.
7:4	RW	0x9	sw_eav_act0 EAV for odd field active.
3:0	RW	0x8	sw_sav_act0 SAV for odd field active.

**VICAP DVP CROP SIZE**

Address: Operational Base + offset (0x0028)

Bit	Attr	Reset Value	Description
31:29	RO	0x0	reserved
28:16	RW	0x01e0	sw_height The expected height of received image.
15:13	RO	0x0	reserved
12:0	RW	0x02d0	sw_width The expected width of received image.

**VICAP DVP CROP START**

Address: Operational Base + offset (0x002C)

Bit	Attr	Reset Value	Description
31:29	RO	0x0	reserved
28:16	RW	0x0000	sw_start_y The vertical ordinate of the start point.
15:13	RO	0x0	reserved
12:0	RW	0x0000	sw_start_x The horizontal ordinate of the start point.

**VICAP DVP FRM0 ADDR Y ID0**

Address: Operational Base + offset (0x0030)

Bit	Attr	Reset Value	Description
31:0	RW	0x00000000	sw_frame0_addr_y_id0 DVP path frame0 y address.

**VICAP DVP FRM0 ADDR UV ID0**

Address: Operational Base + offset (0x0034)

Bit	Attr	Reset Value	Description
31:0	RW	0x00000000	sw_frame0_addr_uv_id0 DVP path frame0 uv address.

**VICAP DVP FRM1 ADDR Y ID0**

Address: Operational Base + offset (0x0038)

Bit	Attr	Reset Value	Description
31:0	RW	0x00000000	sw_frame1_addr_y_id1 DVP path frame1 y address.

**VICAP DVP FRM1 ADDR UV ID0**

Address: Operational Base + offset (0x003C)

Bit	Attr	Reset Value	Description
31:0	RW	0x00000000	sw_frame1_addr_uv_id0 DVP path frame1 uv address.

**VICAP DVP FRM0 ADDR Y ID1**

Address: Operational Base + offset (0x0040)

Bit	Attr	Reset Value	Description
31:0	RW	0x00000000	sw_frame0_addr_y_id1 DVP path frame0 y address for id1.

**VICAP DVP FRM0 ADDR UV ID1**

Address: Operational Base + offset (0x0044)

Bit	Attr	Reset Value	Description
31:0	RW	0x00000000	sw_frame0_addr_uv_id1 DVP path frame0 uv address for id1.

**VICAP DVP FRM1 ADDR Y ID1**

Address: Operational Base + offset (0x0048)

Bit	Attr	Reset Value	Description
31:0	RW	0x00000000	sw_frame1_addr_y_id1 DVP path frame1 y address for id1.

**VICAP DVP FRM1 ADDR UV ID1**

Address: Operational Base + offset (0x004C)

Bit	Attr	Reset Value	Description
31:0	RW	0x00000000	sw_frame1_addr_uv_id1 DVP path frame1 uv address for id1.

**VICAP DVP FRM0 ADDR Y ID2**

Address: Operational Base + offset (0x0050)

Bit	Attr	Reset Value	Description
31:0	RW	0x00000000	sw_frame0_addr_y_id2 DVP path frame0 y address for id2.

**VICAP DVP FRM0 ADDR UV ID2**

Address: Operational Base + offset (0x0054)

Bit	Attr	Reset Value	Description
31:0	RW	0x00000000	sw_frame0_addr_uv_id2 DVP path frame0 uv address for id2.

**VICAP DVP FRM1 ADDR Y ID2**

Address: Operational Base + offset (0x0058)

Bit	Attr	Reset Value	Description
31:0	RW	0x00000000	sw_frame1_addr_y_id2 DVP path frame1 y address for id2.

**VICAP DVP FRM1 ADDR UV ID2**

Address: Operational Base + offset (0x005C)

Bit	Attr	Reset Value	Description
31:0	RW	0x00000000	sw_frame1_addr_uv_id2 DVP path frame1 uv address for id2.

**VICAP DVP FRM0 ADDR Y ID3**

Address: Operational Base + offset (0x0060)

Bit	Attr	Reset Value	Description
31:0	RW	0x00000000	sw_frame0_addr_y_id3 DVP path frame0 y address for id3.

**VICAP DVP FRM0 ADDR UV ID3**

Address: Operational Base + offset (0x0064)

Bit	Attr	Reset Value	Description
31:0	RW	0x00000000	sw_frame0_addr_uv_id3 DVP path frame0 uv address for id3.

**VICAP DVP FRM1 ADDR Y ID3**

Address: Operational Base + offset (0x0068)

Bit	Attr	Reset Value	Description
31:0	RW	0x00000000	sw_frame1_addr_y_id3 DVP path frame1 y address for id3.

**VICAP DVP FRM1 ADDR UV ID3**

Address: Operational Base + offset (0x006C)

Bit	Attr	Reset Value	Description
31:0	RW	0x00000000	sw_frame1_addr_uv_id3 DVP path frame1 uv address for id3.

**VICAP DVP VIR LINE WIDTH**

Address: Operational Base + offset (0x0070)

Bit	Attr	Reset Value	Description
31:20	RO	0x000	reserved

Bit	Attr	Reset Value	Description
19:0	RW	0x00000	vir_line_width DVP path virtual line width.

**VICAP DVP LINE INT NUM ID0 1**

Address: Operational Base + offset (0x0074)

Bit	Attr	Reset Value	Description
31	RW	0x0	line_int_mode_id1 1'b0: One-time mode 1'b1: Circular mode
30:29	RO	0x0	reserved
28:16	RW	0x0040	sw_line_int_num_id1 For one-time mode, if line_int_num_id1=100, then channel 1 receive 100th line,the line_id1_intst will be 1. For circular mode, if line_int_num_id1=100, then channel 1 receive 100th line200th line300th line.....the line_id1_intst will be 1.
15	RW	0x0	line_int_mode_id0 1'b0: One-time mode 1'b1: Circular mode
14:13	RO	0x0	reserved
12:0	RW	0x0040	sw_line_int_num_id0 For one-time mode, if line_int_num_id0=100, then channel 0 receive 100th line, the line_id0_intst will be 1. For circular mode, if line_int_num_id0=100, then channel 0 receive 100th line200th line300th line.....the line_id0_intst will be 1.

**VICAP DVP LINE INT NUM ID2 3**

Address: Operational Base + offset (0x0078)

Bit	Attr	Reset Value	Description
31	RW	0x0	line_int_mode_id3 1'b0: One-time mode 1'b1: Circular mode
30:29	RO	0x0	reserved
28:16	RW	0x0040	sw_line_int_num_id3 For one-time mode, if line_int_num_id3=100, then channel 3 receive 100th line,the line_id3_intst will be 1. For circular mode, if line_int_num_id3=100, then channel 3 receive 100th line200th line300th line.....the line_id3_intst will be 1.
15	RW	0x0	line_int_mode_id2 1'b0: One-time mode 1'b1: Circular mode
14:13	RO	0x0	reserved



Bit	Attr	Reset Value	Description
12:0	RW	0x0040	sw_line_int_num_id2 For one-time mode, if line_int_num_id2=100,then channel 2 receive 100th line, the line_id2_intst will be 1. For circular mode, if line_int_num_id2=100, then channel 2 receive 100th line200th line300th line.....the line_id2_intst will be 1.

**VICAP DVP LINE CNT ID0 1**

Address: Operational Base + offset (0x007C)

Bit	Attr	Reset Value	Description
31:30	RO	0x0	reserved
29:16	RO	0x0000	ro_line_cnt_id1 Current line count.
15:14	RO	0x0	reserved
13:0	RO	0x0000	ro_line_cnt_id0 Current line count.

**VICAP DVP LINE CNT ID2 3**

Address: Operational Base + offset (0x0080)

Bit	Attr	Reset Value	Description
31:30	RO	0x0	reserved
29:16	RO	0x0000	ro_line_cnt_id3 Current line count.
15:14	RO	0x0	reserved
13:0	RO	0x0000	ro_line_cnt_id2 Current line count.

**VICAP DVP PIX NUM ID0**

Address: Operational Base + offset (0x0084)

Bit	Attr	Reset Value	Description
31:30	RO	0x0	reserved
29:16	RO	0x0000	ro_uv_pix_num_id0 The id0 UV pixel number in one line.
15:14	RO	0x0	reserved
13:0	RO	0x0000	ro_y_pix_num_id0 The id0 Y pixel number in one line.

**VICAP DVP LINE NUM ID0**

Address: Operational Base + offset (0x0088)

Bit	Attr	Reset Value	Description
31:30	RO	0x0	reserved
29:16	RO	0x0000	ro_uv_line_num_id0 The id0 UV line number in one frame.
15:14	RO	0x0	reserved

Bit	Attr	Reset Value	Description
13:0	RO	0x0000	ro_y_line_num_id0 The id0 Y line number in one frame.

**VICAP DVP PIX NUM ID1**

Address: Operational Base + offset (0x008C)

Bit	Attr	Reset Value	Description
31:30	RO	0x0	reserved
29:16	RO	0x0000	ro_uv_pix_num_id1 The id1 UV pixel number in one line.
15:14	RO	0x0	reserved
13:0	RO	0x0000	ro_y_pix_num_id1 The id1 Y pixel number in one line.

**VICAP DVP LINE NUM ID1**

Address: Operational Base + offset (0x0090)

Bit	Attr	Reset Value	Description
31:30	RO	0x0	reserved
29:16	RO	0x0000	ro_uv_line_num_id1 The id1 UV line number in one frame.
15:14	RO	0x0	reserved
13:0	RO	0x0000	ro_y_line_num_id1 The id1 Y line number in one frame.

**VICAP DVP PIX NUM ID2**

Address: Operational Base + offset (0x0094)

Bit	Attr	Reset Value	Description
31:30	RO	0x0	reserved
29:16	RO	0x0000	ro_uv_pix_num_id2 The id2 UV pixel number in one line.
15:14	RO	0x0	reserved
13:0	RO	0x0000	ro_y_pix_num_id2 The id2 Y pixel number in one line.

**VICAP DVP LINE NUM ID2**

Address: Operational Base + offset (0x0098)

Bit	Attr	Reset Value	Description
31:30	RO	0x0	reserved
29:16	RO	0x0000	ro_uv_line_num_id2 The id2 UV line number in one frame.
15:14	RO	0x0	reserved
13:0	RO	0x0000	ro_y_line_num_id2 The id2 Y line number in one frame.

**VICAP DVP PIX NUM ID3**

Address: Operational Base + offset (0x009C)

Bit	Attr	Reset Value	Description
31:30	RO	0x0	reserved
29:16	RO	0x0000	ro_uv_pix_num_id3 The id3 UV pixel number in one line.
15:14	RO	0x0	reserved
13:0	RO	0x0000	ro_y_pix_num_id3 The id3 Y pixel number in one line.

**VICAP DVP LINE NUM ID3**

Address: Operational Base + offset (0x00A0)

Bit	Attr	Reset Value	Description
31:30	RO	0x0	reserved
29:16	RO	0x0000	ro_uv_line_num_id3 The id3 UV line number in one frame.
15:14	RO	0x0	reserved
13:0	RO	0x0000	ro_y_line_num_id3 The id3 Y line number in one frame.

**VICAP DVP SYNC HEADER**

Address: Operational Base + offset (0x00A4)

Bit	Attr	Reset Value	Description
31:28	RO	0x0	ro_sync_header_7 Sync header 7.
27:24	RO	0x0	ro_sync_header_6 Sync header 6.
23:20	RO	0x0	ro_sync_header_5 Sync header 5.
19:16	RO	0x0	ro_sync_header_4 Sync header 4.
15:12	RO	0x0	ro_sync_header_3 Sync header 3.
11:8	RO	0x0	ro_sync_header_2 Sync header 2.
7:4	RO	0x0	ro_sync_header_1 Sync header 1.
3:0	RO	0x0	ro_sync_header_0 Sync header 0. Header 0 is the latest, and header 7 is the earliest.

**VICAP MIPI0 ID0 CTRL0**

Address: Operational Base + offset (0x0100)

Bit	Attr	Reset Value	Description
31:30	RW	0x0	sw_vc_hdr_id_main_id0 The id that is the first coming. Note: This register is available when sw_hdr_mode_idx=2'b00 and sw_vc_hdr_protect=1'b1.
29	RW	0x0	sw_vc_hdr_protect_id0 1'b0: Not ensure hdr long exposure frame is captured firstly; 1'b1: Ensure hdr long exposure frame is captured firstly. Note: This register is available when sw_hdr_mode_idx=2'b00. And sw_vc_hdr_id_main must be configured correctly(the first coming id).
28	RW	0x0	sw_dma_en_id0 Enable dma transport id0. 1'b0: Disable 1'b1: Enable
27	RW	0x0	sw_align_id0 1'b0: Low alignment(raw10/12 will in [9:0]/[11:0]) 1'b1: High alignment(raw10/12 will in [15:6]/[15:4]) Only be used when raw uncompact mode.
26	RW	0x0	sw_command_mode_en_id0 Select command mode for id0. 1'b0: Not command mode 1'b1: Command mode
25:24	RW	0x0	sw_on_hdr_line_cnt_id0 If sw_mipi0_on_hdr_mode_id0=1(2), the line count value will circulate between 0~1(2). And if sw_mipi0_on_hdr_line_cnt_id0=1, id0 channel will capture the line which line count value equal to 1.
23:22	RW	0x0	sw_on_hdr_mode_id0 2'b00: Normal mode(no HDR) 2'b01: 2 frames HDR 2'b10: 3 frames HDR 2'b11: Reserved
21:20	RW	0x0	sw_hdr_mode_id0 2'b00: HDR distinguished by virtual channel 2'b01: HDR distinguished by line number(ON HDR mode) 2'b10: HDR distinguished by first 4pixel(SONY HDR mode) 2'b11: Reserved
19:18	RW	0x0	sw_yuyv_out_order_id0 2'b00: UYVY(CSI-2 standard) 2'b01: VYUY 2'b10: YUYV 2'b11: YVYU

Bit	Attr	Reset Value	Description
17:16	RW	0x0	sw_yuyv_in_order_id0 2'b00: UYVY(CSI-2 standard) 2'b01: VYUY 2'b10: YUYV 2'b11: YVYU
15:10	RW	0x00	sw_dt_id0 Data type for id0.
9:8	RW	0x0	sw_vc_id0 Virtual channel for id0.
7:5	RW	0x0	sw_wrddr_type_id0 The write ddr type of id0. 3'b000: Raw-compact 3'b001: Raw-uncompact 3'b010: YUV packet 3'b011: YUV 400 3'b100: YUV 422sp 3'b101: YUV 420sp Others: Reserved
4	RW	0x0	sw_crop_en_id0 Enable to crop for id0. 1'b0: Disable 1'b1: Enable
3:1	RW	0x0	sw_parse_type_id0 The parse type of id0. 3'b000: For raw8/rgb888 3'b001: For raw10 3'b010: For raw12 3'b011: For raw14(data will be clipped to 12bit) 3'b100: For yuv422 8bit Others: Reserved
0	RW	0x0	sw_cap_en_id0 Enable to capture id0. 1'b0: Disable 1'b1: Enable

**VICAP MIPI0 ID0 CTRL1**

Address: Operational Base + offset (0x0104)

Bit	Attr	Reset Value	Description
31:30	RO	0x0	reserved
29:16	RW	0x0000	sw_height_id0 Height for id0.
15:14	RO	0x0	reserved

Bit	Attr	Reset Value	Description
13:0	RW	0x0000	sw_width_id0 Width for id0. If sw_wrddr_type is rgb888, then the width is equal to the number of bytes(not pixel). If sw_crop_en_id0 is enable the width value must be 4 aligned.

**VICAP MIPI0 ID1 CTRL0**

Address: Operational Base + offset (0x0108)

Bit	Attr	Reset Value	Description
31:30	RW	0x0	sw_vc_hdr_id_main_id1 The id that is the first coming. Note: This register is available when sw_hdr_mode_idx=2'b00 and sw_vc_hdr_protect=1'b1.
29	RW	0x0	sw_vc_hdr_protect_id1 1'b0: Not ensure hdr long exposure frame is captured firstly; 1'b1: Ensure hdr long exposure frame is captured firstly. Note: This register is available when sw_hdr_mode_idx=2'b00. And sw_vc_hdr_id_main must be configured correctly(the first coming id).
28	RW	0x0	sw_dma_en_id1 Enable dma transport id1. 1'b0: Disable 1'b1: Enable
27	RW	0x0	sw_align_id1 1'b0: Low alignment(raw10/12 will in [9:0]/[11:0]) 1'b1: High alignment(raw10/12 will in [15:6]/[15:4]) Only be used when non-compacted mode.
26	RW	0x0	sw_command_mode_en_id1 Select command mode for id1. 1'b0: Not command mode 1'b1: Command mode
25:24	RW	0x0	sw_on_hdr_line_cnt_id1 If sw_mipi0_on_hdr_mode_id1=1(2), the line count value will circulate between 0~1(2). And if sw_mipi0_on_hdr_line_cnt_id1=1, id1 channel will capture the line which line count value equal to 1.
23:22	RW	0x0	sw_on_hdr_mode_id1 2'b00: Normal mode(no HDR) 2'b01: 2 frames HDR 2'b10: 3 frames HDR 2'b11: Reserved
21:20	RW	0x0	sw_hdr_mode_id1 2'b00: HDR distinguished by virtual channel 2'b01: HDR distinguished by line number(ON HDR mode) 2'b10: HDR distinguished by first 4pixel(SONY HDR mode) 2'b11: Reserved

Bit	Attr	Reset Value	Description
19:18	RW	0x0	sw_yuyv_out_order_id1 2'b00: UYVY(CSI-2 standard) 2'b01: VYUY 2'b10: YUYV 2'b11: YVYU
17:16	RW	0x0	sw_yuyv_in_order_id1 2'b00: UYVY(CSI-2 standard) 2'b01: VYUY 2'b10: YUYV 2'b11: YVYU
15:10	RW	0x00	sw_dt_id1 Data type for id1.
9:8	RW	0x0	sw_vc_id1 Virtual channel for id1.
7:5	RW	0x0	sw_wrddr_type_id1 The write ddr type of id1. 3'b000: Raw-compact 3'b001: Raw-uncompact 3'b010: YUV packet 3'b011: YUV 400 3'b100: YUV 422sp 3'b101: YUV 420sp Others: Reserved
4	RW	0x0	sw_crop_en_id1 Enable to crop for id1. 1'b0: Disable 1'b1: Enable
3:1	RW	0x0	sw_parse_type_id1 The parse type of id1. 3'b000: For raw8/rgb888 3'b001: For raw10 3'b010: For raw12 3'b011: For raw14(data will be clipped to 12bit) 3'b100: For yuv422 8bit Others: Reserved
0	RW	0x0	sw_cap_en_id1 Enable to capture id1. 1'b0: Disable 1'b1: Enable

**VICAP MIPI0 ID1 CTRL1**

Address: Operational Base + offset (0x010C)

Bit	Attr	Reset Value	Description
31:30	RO	0x0	reserved

Bit	Attr	Reset Value	Description
29:16	RW	0x0000	sw_height_id1 Height for id1.
15:14	RO	0x0	reserved
13:0	RW	0x0000	sw_width_id1 Width for id1.if sw_wrddr_type is rgb888,then the width is equal to the number of bytes(not pixel). If sw_crop_en_id1 is enable the width value must be 4 aligned.

**VICAP MIPI0 ID2 CTRL0**

Address: Operational Base + offset (0x0110)

Bit	Attr	Reset Value	Description
31:30	RW	0x0	sw_vc_hdr_id_main_id2 The id that is the first coming. Note: This register is available when sw_hdr_mode_idx=2'b00 and sw_vc_hdr_protect=1'b1.
29	RW	0x0	sw_vc_hdr_protect_id2 1'b0: Not ensure hdr long exposure frame is captured firstly; 1'b1: Ensure hdr long exposure frame is captured firstly. Note: This register is available when sw_hdr_mode_idx=2'b00. And sw_vc_hdr_id_main must be configured correctly(the first coming id).
28	RW	0x0	sw_dma_en_id2 Enable dma transport id2. 1'b0: Disable 1'b1: Enable
27	RW	0x0	sw_align_id2 1'b0: Low alignment(raw10/12 will in [9:0]/[11:0]) 1'b1: High alignment(raw10/12 will in [15:6]/[15:4]) Only be used when non-compacted mode.
26	RW	0x0	sw_command_mode_en_id2 Select command mode for id2. 1'b0: Not command mode 1'b1: Command mode
25:24	RW	0x0	sw_on_hdr_line_cnt_id2 If sw_mipi0_on_hdr_mode_id2=1(2), the line count value will circulate between 0~1(2). And if sw_mipi0_on_hdr_line_cnt_id2=1, id2 channel will capture the line which line count value equal to 1.
23:22	RW	0x0	sw_on_hdr_mode_id2 2'b00: Normal mode(no HDR) 2'b01: 2 frames HDR 2'b10: 3 frames HDR 2'b11: Reserved



Bit	Attr	Reset Value	Description
21:20	RW	0x0	sw_hdr_mode_id2 2'b00: HDR distinguished by virtual channel 2'b01: HDR distinguished by line number(ON HDR mode) 2'b10: HDR distinguished by first 4pixel(SONY HDR mode) 2'b11: Reserved
19:18	RW	0x0	sw_yuyv_out_order_id2 2'b00: UYVY(CSI-2 standard) 2'b01: VYUY 2'b10: YUYV 2'b11: YVYU
17:16	RW	0x0	sw_yuyv_in_order_id2 2'b00: UYVY(CSI-2 standard) 2'b01: VYUY 2'b10: YUYV 2'b11: YVYU
15:10	RW	0x00	sw_dt_id2 Data type for id2.
9:8	RW	0x0	sw_vc_id2 Virtual channel for id2.
7:5	RW	0x0	sw_wrddr_type_id2 The write ddr type of id2. 3'b000: Raw-compact 3'b001: Raw-uncompact 3'b010: YUV packet 3'b011: YUV 400 3'b100: YUV 422sp 3'b101: YUV 420sp Others: Reserved
4	RW	0x0	sw_crop_en_id2 Enable to crop for id2. 1'b0: Disable 1'b1: Enable
3:1	RW	0x0	sw_parse_type_id2 The parse type of id2. 3'b000: For raw8/rgb888 3'b001: For raw10 3'b010: For raw12 3'b011: For raw14(data will be clipped to 12bit) 3'b100: For yuv422 8bit Others: Reserved
0	RW	0x0	sw_cap_en_id2 Enable to capture id2. 1'b0: Disable 1'b1: Enable

**VICAP MIPI0 ID2 CTRL1**

Address: Operational Base + offset (0x0114)

Bit	Attr	Reset Value	Description
31:30	RO	0x0	reserved
29:16	RW	0x0000	sw_height_id2 Height for id2.
15:14	RO	0x0	reserved
13:0	RW	0x0000	sw_width_id2 Width for id2.if sw_wrddr_type is rgb888,then the width is equal to the number of bytes(not pixel). If sw_crop_en_id2 is enable the width value must be 4 aligned.

**VICAP MIPI0 ID3 CTRL0**

Address: Operational Base + offset (0x0118)

Bit	Attr	Reset Value	Description
31:30	RW	0x0	sw_vc_hdr_id_main_id3 The id that is the first coming. Note: This register is available when sw_hdr_mode_idx=2'b00 and sw_vc_hdr_protect=1'b1.
29	RW	0x0	sw_vc_hdr_protect_id3 1'b0: Not ensure hdr long exposure frame is captured firstly; 1'b1: Ensure hdr long exposure frame is captured firstly. Note: This register is available when sw_hdr_mode_idx=2'b00. And sw_vc_hdr_id_main must be configured correctly(the first coming id).
28	RW	0x0	sw_dma_en_id3 Enable dma transport id3. 1'b0: Disable 1'b1: Enable
27	RW	0x0	sw_align_id3 1'b0: Low alignment(raw10/12 will in [9:0]/[11:0]) 1'b1: High alignment(raw10/12 will in [15:6]/[15:4]) Only be used when non-compacted mode.
26	RW	0x0	sw_command_mode_en_id3 Select command mode for id3. 1'b0: Not command mode 1'b1: Command mode
25:24	RW	0x0	sw_on_hdr_line_cnt_id3 If sw_mipi0_on_hdr_mode_id3=1(2), the line count value will circulate between 0~1(2). And if sw_mipi0_on_hdr_line_cnt_id3=1, id3 channel will capture the line which line count value equal to 1.

Bit	Attr	Reset Value	Description
23:22	RW	0x0	sw_on_hdr_mode_id3 2'b00: Normal mode(no HDR) 2'b01: 2 frames HDR 2'b10: 3 frames HDR 2'b11: Reserved
21:20	RW	0x0	sw_hdr_mode_id3 2'b00: HDR distinguished by virtual channel 2'b01: HDR distinguished by line number(ON HDR mode) 2'b10: HDR distinguished by first 4pixel(SONY HDR mode) 2'b11: Reserved
19:18	RW	0x0	sw_yuyv_out_order_id3 2'b00: UYVY(CSI-2 standard) 2'b01: VYUY 2'b10: YUYV 2'b11: YVYU
17:16	RW	0x0	sw_yuyv_in_order_id3 2'b00: UYVY(CSI-2 standard) 2'b01: VYUY 2'b10: YUYV 2'b11: YVYU
15:10	RW	0x00	sw_dt_id3 Data type for id3.
9:8	RW	0x0	sw_vc_id3 Virtual channel for id3.
7:5	RW	0x0	sw_wrddr_type_id3 The write ddr type of id3. 3'b000: Raw-compact 3'b001: Raw-uncompact 3'b010: YUV packet 3'b011: YUV 400 3'b100: YUV 422sp 3'b101: YUV 420sp Others: Reserved
4	RW	0x0	sw_crop_en_id3 Enable to crop for id3. 1'b0: Disable 1'b1: Enable
3:1	RW	0x0	sw_parse_type_id3 The parse type of id3. 3'b000: For raw8/rgb888 3'b001: For raw10 3'b010: For raw12 3'b011: For raw14(data will be clipped to 12bit) 3'b100: For yuv422 8bit Others: Reserved

Bit	Attr	Reset Value	Description
0	RW	0x0	sw_cap_en_id3 Enable to capture id3. 1'b0: Disable 1'b1: Enable

**VICAP MIPI0 ID3 CTRL1**

Address: Operational Base + offset (0x011C)

Bit	Attr	Reset Value	Description
31:30	RO	0x0	reserved
29:16	RW	0x0000	sw_height_id3 Height for id3.
15:14	RO	0x0	reserved
13:0	RW	0x0000	sw_width_id3 Width for id3.if sw_wrddr_type is rgb888,then the width is equal to the number of bytes(not pixel). If sw_crop_en_id3 is enable the width value must be 4 aligned.

**VICAP MIPI0 CTRL**

Address: Operational Base + offset (0x0120)

Bit	Attr	Reset Value	Description
31:20	RO	0x000	reserved
19:18	RW	0x0	sw_soft_rst_mode 2'b00: Soft reset and protect toisp path frame integrity 2'b01: Soft reset and protect toisp path frame integrity and pull down sw_cap_en automatically 2'b10: Soft reset directly 2'b11: Reserved
17	RW	0x0	sw_soft_rst 1'b0: Not reset 1'b1: Reset the VICAP MIPI0 path(except MMU/AXI MASTER/REG FILE)
16	RW	0x0	sw_dma_rst Write 1 will reset VICAP MIPI0 path dma. When this bit change to 0, dma is reseted completely.
15:13	RW	0x0	sw_press_value Press value.
12	RW	0x0	sw_press_en 1'b0: Disable press 1'b1: Enable press
11:8	RO	0x0	reserved
7:5	RW	0x0	sw_hurry_value Hurry value.
4	RW	0x0	sw_hurry_en 1'b0: Disable hurry 1'b1: Enable hurry

Bit	Attr	Reset Value	Description
3	RO	0x0	reserved
2:1	RW	0x0	sw_water_line 2'b00: 75% 2'b01: 50% 2'b10: 25% 2'b11: 0%
0	RW	0x0	sw_cap_en 1'b0: Disable capture all id 1'b1: Enable capture all id.

**VICAP MIPI0 FRAME0 ADDR Y ID0**

Address: Operational Base + offset (0x0124)

Bit	Attr	Reset Value	Description
31:0	RW	0x00000000	sw_frame0_addr_y_id0 First address of even frame for ID0 Y/RAW/RGB path(must be aligned to double word).

**VICAP MIPI0 FRAME1 ADDR Y ID0**

Address: Operational Base + offset (0x0128)

Bit	Attr	Reset Value	Description
31:0	RW	0x00000000	sw_frame1_addr_y_id0 First address of odd frame for ID0 Y path(must be aligned to double word).

**VICAP MIPI0 FRAME0 ADDR UV ID0**

Address: Operational Base + offset (0x012C)

Bit	Attr	Reset Value	Description
31:0	RW	0x00000000	sw_frame0_addr_uv_id0 First address of even frame for ID0 UV path(must be aligned to double word).

**VICAP MIPI0 FRAME1 ADDR UV ID0**

Address: Operational Base + offset (0x0130)

Bit	Attr	Reset Value	Description
31:0	RW	0x00000000	sw_frame1_addr_uv_id0 First address of odd frame for ID0 UV path(must be aligned to double word).

**VICAP MIPI0 VLW ID0**

Address: Operational Base + offset (0x0134)

Bit	Attr	Reset Value	Description
31:20	RO	0x000	reserved
19:0	RW	0x00000	sw_vlw_id0 Virtual line width of even frame for ID0 path(must be aligned to double word).

**VICAP MIPI0 FRAME0 ADDR Y ID1**

Address: Operational Base + offset (0x0138)

Bit	Attr	Reset Value	Description
31:0	RW	0x00000000	sw_frame0_addr_y_id1 First address of even frame for ID1 Y/RAW/RGB path(must be aligned to double word).

**VICAP MIPI0 FRAME1 ADDR Y ID1**

Address: Operational Base + offset (0x013C)

Bit	Attr	Reset Value	Description
31:0	RW	0x00000000	sw_frame1_addr_y_id1 First address of odd frame for ID1 Y/RAW/RGB path(must be aligned to double word).

**VICAP MIPI0 FRAME0 ADDR UV ID1**

Address: Operational Base + offset (0x0140)

Bit	Attr	Reset Value	Description
31:0	RW	0x00000000	sw_frame0_addr_uv_id1 First address of even frame for ID1 UV path(must be aligned to double word).

**VICAP MIPI0 FRAME1 ADDR UV ID1**

Address: Operational Base + offset (0x0144)

Bit	Attr	Reset Value	Description
31:0	RW	0x00000000	sw_frame1_addr_uv_id1 First address of odd frame for ID1 UV path(must be aligned to double word).

**VICAP MIPI0 VLW ID1**

Address: Operational Base + offset (0x0148)

Bit	Attr	Reset Value	Description
31:20	RO	0x000	reserved
19:0	RW	0x00000	sw_vlw_id1 Virtual line width of even frame for ID1 Y/RAW/RGB path(must be aligned to double word).

**VICAP MIPI0 FRAME0 ADDR Y ID2**

Address: Operational Base + offset (0x014C)

Bit	Attr	Reset Value	Description
31:0	RW	0x00000000	sw_frame0_addr_y_id2 First address of even frame for ID2 Y/RAW/RGB path(must be aligned to double word).

**VICAP MIPI0 FRAME1 ADDR Y ID2**

Address: Operational Base + offset (0x0150)

Bit	Attr	Reset Value	Description
31:0	RW	0x00000000	sw_frame1_addr_y_id2 First address of odd frame for ID2 Y/RAW/RGB path(must be aligned to double word).

**VICAP MIPI0 FRAME0 ADDR UV ID2**

Address: Operational Base + offset (0x0154)

Bit	Attr	Reset Value	Description
31:0	RW	0x00000000	sw_frame0_addr_uv_id2 First address of even frame for ID2 UV path(must be aligned to double word).

**VICAP MIPI0 FRAME1 ADDR UV ID2**

Address: Operational Base + offset (0x0158)

Bit	Attr	Reset Value	Description
31:0	RW	0x00000000	sw_frame1_addr_uv_id0 First address of odd frame for ID2 UV path(must be aligned to double word).

**VICAP MIPI0 VLW ID2**

Address: Operational Base + offset (0x015C)

Bit	Attr	Reset Value	Description
31:20	RO	0x000	reserved
19:0	RW	0x00000	sw_vlw_id2 Virtual line width of even frame for ID2 path(must be aligned to double word).

**VICAP MIPI0 FRAME0 ADDR Y ID3**

Address: Operational Base + offset (0x0160)

Bit	Attr	Reset Value	Description
31:0	RW	0x00000000	sw_frame0_addr_y_id3 First address of even frame for ID3 Y/RAW/RGB path(must be aligned to double word).

**VICAP MIPI0 FRAME1 ADDR Y ID3**

Address: Operational Base + offset (0x0164)

Bit	Attr	Reset Value	Description
31:0	RW	0x00000000	sw_frame1_addr_y_id3 First address of odd frame for ID3 Y/RAW/RGB path(must be aligned to double word).

**VICAP MIPI0 FRAME0 ADDR UV ID3**

Address: Operational Base + offset (0x0168)

Bit	Attr	Reset Value	Description
31:0	RW	0x00000000	sw_frame0_addr_uv_id3 First address of even frame for ID3 UV path(must be aligned to double word).

**VICAP MIPIO FRAME1 ADDR UV ID3**

Address: Operational Base + offset (0x016C)

Bit	Attr	Reset Value	Description
31:0	RW	0x00000000	sw_frame1_addr_uv_id3 First address of odd frame for ID3 UV path(must be aligned to double word).

**VICAP MIPIO VLW ID3**

Address: Operational Base + offset (0x0170)

Bit	Attr	Reset Value	Description
31:20	RO	0x000	reserved
19:0	RW	0x00000	sw_vlw_id3 Virtual line width of even frame for ID3 path(must be aligned to double word).

**VICAP MIPIO INTEN**

Address: Operational Base + offset (0x0174)

Bit	Attr	Reset Value	Description
31:28	RO	0x0	reserved
27	RW	0x0	size_err_id3_inten 1'b0: Disable 1'b1: Enable
26	RW	0x0	size_err_id2_inten 1'b0: Disable 1'b1: Enable
25	RW	0x0	size_err_id1_inten 1'b0: Disable 1'b1: Enable
24	RW	0x0	size_err_id0_inten 1'b0: Disable 1'b1: Enable
23	RW	0x0	line_id3_inten 1'b0: Disable 1'b1: Enable
22	RW	0x0	line_id2_inten 1'b0: Disable 1'b1: Enable
21	RW	0x0	line_id1_inten 1'b0: Disable 1'b1: Enable



Bit	Attr	Reset Value	Description
20	RW	0x0	line_id0_inten 1'b0: Disable 1'b1: Enable
19	RW	0x0	csi2rx_fifo_overflow_inten 1'b0: Disable 1'b1: Enable
18	RW	0x0	bandwidth_lack_inten 1'b0: Disable 1'b1: Enable
17	RW	0x0	dma_uv_fifo_overflow_inten Enable the interrupt of dma fifo overflow of MIPI uv path or LVDS id1 path. 1'b0: Disable 1'b1: Enable
16	RW	0x0	dma_y_fifo_overflow_inten Enable the interrupt of dma fifo overflow of MIPI y path or LVDS id0 path. 1'b0: Disable 1'b1: Enable
15	RW	0x0	frame1_dma_end_id3_inten Enable the interrupt of end of odd frame for ID1. 1'b0: Disable 1'b1: Enable
14	RW	0x0	frame0_dma_end_id3_inten Enable the interrupt of end of even frame for ID3. 1'b0: Disable 1'b1: Enable
13	RW	0x0	frame1_dma_end_id2_inten Enable the interrupt of end of odd frame for ID1. 1'b0: Disable 1'b1: Enable
12	RW	0x0	frame0_dma_end_id2_inten Enable the interrupt of end of even frame for ID2. 1'b0: Disable 1'b1: Enable
11	RW	0x0	frame1_dma_end_id1_inten Enable the interrupt of end of odd frame for ID1. 1'b0: Disable 1'b1: Enable
10	RW	0x0	frame0_dma_end_id1_inten Enable the interrupt of end of even frame for ID1. 1'b0: Disable 1'b1: Enable

Bit	Attr	Reset Value	Description
9	RW	0x0	frame1_dma_end_id0_inten Enable the interrupt of end of odd frame for ID0. 1'b0: Disable 1'b1: Enable
8	RW	0x0	frame0_dma_end_id0_inten Enable the interrupt of end of even frame for ID0. 1'b0: Disable 1'b1: Enable
7	RW	0x0	frame1_start_id3_inten Enable the interrupt of start of odd frame for ID3. 1'b0: Disable 1'b1: Enable
6	RW	0x0	frame0_start_id3_inten Enable the interrupt of start of even frame for ID3. 1'b0: Disable 1'b1: Enable
5	RW	0x0	frame1_start_id2_inten Enable the interrupt of start of odd frame for ID2. 1'b0: Disable 1'b1: Enable
4	RW	0x0	frame0_start_id2_inten Enable the interrupt of start of even frame for ID2. 1'b0: Disable 1'b1: Enable
3	RW	0x0	frame1_start_id1_inten Enable the interrupt of start of odd frame for ID1. 1'b0: Disable 1'b1: Enable
2	RW	0x0	frame0_start_id1_inten Enable the interrupt of start of even frame for ID1. 1'b0: Disable 1'b1: Enable
1	RW	0x0	frame1_start_id0_inten Enable the interrupt of start of odd frame for ID0. 1'b0: Disable 1'b1: Enable
0	RW	0x0	frame0_start_id0_inten Enable the interrupt of start of even frame for ID0. 1'b0: Disable 1'b1: Enable

**VICAP MIPIO INTSTAT**

Address: Operational Base + offset (0x0178)

Bit	Attr	Reset Value	Description
31:28	RO	0x0	reserved

Bit	Attr	Reset Value	Description
27	W1 C	0x0	size_err_id3_intst 1'b0: No interrupt 1'b1: Interrupt
26	W1 C	0x0	size_err_id2_intst 1'b0: No interrupt 1'b1: Interrupt
25	W1 C	0x0	size_err_id1_intst 1'b0: No interrupt 1'b1: Interrupt
24	W1 C	0x0	size_err_id0_intst 1'b0: No interrupt 1'b1: Interrupt
23	W1 C	0x0	line_id3_intst 1'b0: No interrupt 1'b1: Interrupt
22	W1 C	0x0	line_id2_intst 1'b0: No interrupt 1'b1: Interrupt
21	W1 C	0x0	line_id1_intst 1'b0: No interrupt 1'b1: Interrupt
20	W1 C	0x0	line_id0_intst 1'b0: No interrupt 1'b1: Interrupt
19	W1 C	0x0	csi2rx_fifo_overflow_intst 1'b0: No interrupt 1'b1: Interrupt
18	W1 C	0x0	bandwidth_lack_intst 1'b0: No interrupt 1'b1: Interrupt
17	W1 C	0x0	dma_uv_fifo_overflow_intst 1'b0: No interrupt 1'b1: Interrupt
16	W1 C	0x0	dma_y_fifo_overflow_intst 1'b0: No interrupt 1'b1: Interrupt
15	W1 C	0x0	frame1_dma_end_id3_intst 1'b0: No interrupt 1'b1: Interrupt
14	W1 C	0x0	frame0_dma_end_id3_intst 1'b0: No interrupt 1'b1: Interrupt
13	W1 C	0x0	frame1_dma_end_id2_intst 1'b0: No interrupt 1'b1: Interrupt

Bit	Attr	Reset Value	Description
12	W1 C	0x0	frame0_dma_end_id2_intst 1'b0: No interrupt 1'b1: Interrupt
11	W1 C	0x0	frame1_dma_end_id1_intst 1'b0: No interrupt 1'b1: Interrupt
10	W1 C	0x0	frame0_dma_end_id1_intst 1'b0: No interrupt 1'b1: Interrupt
9	W1 C	0x0	frame1_dma_end_id0_intst 1'b0: No interrupt 1'b1: Interrupt
8	W1 C	0x0	frame0_dma_end_id0_intst 1'b0: No interrupt 1'b1: Interrupt
7	W1 C	0x0	frame1_start_id3_intst 1'b0: No interrupt 1'b1: Interrupt
6	W1 C	0x0	frame0_start_id3_intst 1'b0: No interrupt 1'b1: Interrupt
5	W1 C	0x0	frame1_start_id2_intst 1'b0: No interrupt 1'b1: Interrupt
4	W1 C	0x0	frame0_start_id2_intst 1'b0: No interrupt 1'b1: Interrupt
3	W1 C	0x0	frame1_start_id1_intst 1'b0: No interrupt 1'b1: Interrupt
2	W1 C	0x0	frame0_start_id1_intst 1'b0: No interrupt 1'b1: Interrupt
1	W1 C	0x0	frame1_start_id0_intst 1'b0: No interrupt 1'b1: Interrupt
0	W1 C	0x0	frame0_start_id0_intst 1'b0: No interrupt 1'b1: Interrupt

**VICAP MIPIO LINE INT NUM ID0 1**

Address: Operational Base + offset (0x017C)

Bit	Attr	Reset Value	Description
31	RW	0x0	line_int_mode_id1 1'b0: One-time mode 1'b1: Circular mode
30	RO	0x0	reserved
29:16	RW	0x0040	line_int_num_id1 For one-time mode, if line_int_num_id1=100, then channel 1 receive 100th line,the line_id1_intst will be 1. For circular mode, if line_int_num_id1=100, then channel 1 receive 100th line200th line300th line.....the line_id1_intst will be 1.
15	RW	0x0	line_int_mode_id0 1'b0: One-time mode 1'b1: Circular mode
14	RO	0x0	reserved
13:0	RW	0x0040	line_int_num_id0 For one-time mode, if line_int_num_id0=100, then channel 0 receive 100th line, the line_id0_intst will be 1. For circular mode, if line_int_num_id0=100, then channel 0 receive 100th line200th line300th line.....the line_id0_intst will be 1.

**VICAP MIPI0 LINE INT NUM ID2 3**

Address: Operational Base + offset (0x0180)

Bit	Attr	Reset Value	Description
31	RW	0x0	line_int_mode_id3 1'b0: One-time mode 1'b1: Circular mode
30	RO	0x0	reserved
29:16	RW	0x0040	line_int_num_id3 For one-time mode, if line_int_num_id3=100, then channel 3 receive 100th line, the line_id3_intst will be 1. For circular mode, if line_int_num_id3=100, then channel 3 receive 100th line200th line300th line.....the line_id3_intst will be 1.
15	RW	0x0	line_int_mode_id2 1'b0: One-time mode 1'b1: Circular mode
14	RO	0x0	reserved
13:0	RW	0x0040	line_int_num_id2 For one-time mode, if line_int_num_id2=100, then channel 2 receive 100th line,the line_id2_intst will be 1. For circular mode, if line_int_num_id2=100, then channel 2 receive 100th line200th line300th line.....the line_id2_intst will be 1.

**VICAP MIPI0 LINE CNT ID0 1**

Address: Operational Base + offset (0x0184)

Bit	Attr	Reset Value	Description
31:30	RO	0x0	reserved
29:16	RO	0x0000	ro_line_cnt_id1 Current line count for id1.
15:14	RO	0x0	reserved
13:0	RO	0x0000	ro_line_cnt_id0 Current line count for id0.

**VICAP MIPI0 LINE CNT ID2 3**

Address: Operational Base + offset (0x0188)

Bit	Attr	Reset Value	Description
31:30	RO	0x0	reserved
29:16	RO	0x0000	ro_line_cnt_id3 Current line count for id3.
15:14	RO	0x0	reserved
13:0	RO	0x0000	ro_line_cnt_id2 Current line count for id2.

**VICAP MIPI0 ID0 CROP START**

Address: Operational Base + offset (0x018C)

Bit	Attr	Reset Value	Description
31:30	RO	0x0	reserved
29:16	RW	0x0000	sw_start_y_id0 The start y coordinate for id0.
15:14	RO	0x0	reserved
13:0	RW	0x0000	sw_start_x_id0 The start x coordinate for id0, if sw_wrddr_type is rgb888, then the start x is measured in byte. The start x value must be 4 aligned.

**VICAP MIPI0 ID1 CROP START**

Address: Operational Base + offset (0x0190)

Bit	Attr	Reset Value	Description
31:30	RO	0x0	reserved
29:16	RW	0x0000	sw_start_y_id1 The start y coordinate for id1.
15:14	RO	0x0	reserved
13:0	RW	0x0000	sw_start_x_id1 The start x coordinate for id1, if sw_wrddr_type is rgb888, then the start x is measured in byte. The start x value must be 4 aligned.

**VICAP MIPI0 ID2 CROP START**

Address: Operational Base + offset (0x0194)

Bit	Attr	Reset Value	Description
31:30	RO	0x0	reserved
29:16	RW	0x0000	sw_start_y_id2 The start y coordinate for id2.
15:14	RO	0x0	reserved
13:0	RW	0x0000	sw_start_x_id2 The start x coordinate for id2, if sw_wrddr_type is rgb888,then the start x is measured in byte. The start x value must be 4 aligned.

**VICAP MIPI0 ID3 CROP START**

Address: Operational Base + offset (0x0198)

Bit	Attr	Reset Value	Description
31:30	RO	0x0	reserved
29:16	RW	0x0000	sw_start_y_id3 The start y coordinate for id3.
15:14	RO	0x0	reserved
13:0	RW	0x0000	sw_start_x_id3 The start x coordinate for id3, if sw_wrddr_type is rgb888,then the start x is measured in byte. The start x value must be 4 aligned.

**VICAP MIPI0 FRAME NUM VC0**

Address: Operational Base + offset (0x019C)

Bit	Attr	Reset Value	Description
31:16	RO	0x0000	ro_frame_num_end_vc0 The frame number of frame end of virtual channel 0.
15:0	RO	0x0000	ro_frame_num_start_vc0 The frame number of frame start of virtual channel 0.

**VICAP MIPI0 FRAME NUM VC1**

Address: Operational Base + offset (0x01A0)

Bit	Attr	Reset Value	Description
31:16	RO	0x0000	ro_frame_num_end_vc1 The frame number of frame end of virtual channel 1.
15:0	RO	0x0000	ro_frame_num_start_vc1 The frame number of frame start of virtual channel 1.

**VICAP MIPI0 FRAME NUM VC2**

Address: Operational Base + offset (0x01A4)

Bit	Attr	Reset Value	Description
31:16	RO	0x0000	ro_frame_num_end_vc2 The frame number of frame end of virtual channel 2.
15:0	RO	0x0000	ro_frame_num_start_vc2 The frame number of frame start of virtual channel 2.

**VICAP MIPI0 FRAME NUM VC3**

Address: Operational Base + offset (0x01A8)

Bit	Attr	Reset Value	Description
31:16	RO	0x0000	ro_frame_num_end_vc3 The frame number of frame end of virtual channel 3.
15:0	RO	0x0000	ro_frame_num_start_vc3 The frame number of frame start of virtual channel 3.

**VICAP MIPI0 ID0 EFFECT CODE**

Address: Operational Base + offset (0x01AC)

Bit	Attr	Reset Value	Description
31:30	RO	0x0	reserved
29:16	RW	0x0000	sw_sony_effect_code1_id0 Effect code of id0 for sony sensor.
15:14	RO	0x0	reserved
13:0	RW	0x0000	sw_sony_effect_code0_id0 Effect code of id0 for sony sensor.

**VICAP MIPI0 ID1 EFFECT CODE**

Address: Operational Base + offset (0x01B0)

Bit	Attr	Reset Value	Description
31:30	RO	0x0	reserved
29:16	RW	0x0000	sw_sony_effect_code1_id1 Effect code of id1 for sony sensor.
15:14	RO	0x0	reserved
13:0	RW	0x0000	sw_sony_effect_code0_id1 Effect code of id1 for sony sensor.

**VICAP MIPI0 ID2 EFFECT CODE**

Address: Operational Base + offset (0x01B4)

Bit	Attr	Reset Value	Description
31:30	RO	0x0	reserved
29:16	RW	0x0000	sw_sony_effect_code1_id2 Effect code of id2 for sony sensor.
15:14	RO	0x0	reserved
13:0	RW	0x0000	sw_sony_effect_code0_id2 Effect code of id2 for sony sensor.

**VICAP MIPI0 ID3 EFFECT CODE**

Address: Operational Base + offset (0x01B8)

Bit	Attr	Reset Value	Description
31:30	RO	0x0	reserved
29:16	RW	0x0000	sw_sony_effect_code1_id3 Effect code of id3 for sony sensor.
15:14	RO	0x0	reserved



Bit	Attr	Reset Value	Description
13:0	RW	0x0000	sw_sony_effect_code0_id3 Effect code of id3 for sony sensor.

**VICAP MIPI0 ON PAD VALUE**

Address: Operational Base + offset (0x01BC)

Bit	Attr	Reset Value	Description
31:14	RO	0x00000	reserved
13:0	RW	0x0000	sw_on_pad_value Padding value for ON sensor.

**VICAP MIPI0 SIZE NUM ID0**

Address: Operational Base + offset (0x01C0)

Bit	Attr	Reset Value	Description
31:30	RO	0x0	reserved
29:16	RO	0x0000	ro_line_num_id0 The id0 line number in one frame.
15:14	RO	0x0	reserved
13:0	RO	0x0000	ro_pix_num_id0 The id0 pixel number in one line.

**VICAP MIPI0 SIZE NUM ID1**

Address: Operational Base + offset (0x01C4)

Bit	Attr	Reset Value	Description
31:30	RO	0x0	reserved
29:16	RO	0x0000	ro_line_num_id1 The id1 line number in one frame.
15:14	RO	0x0	reserved
13:0	RO	0x0000	ro_pix_num_id1 The id1 pixel number in one line.

**VICAP MIPI0 SIZE NUM ID2**

Address: Operational Base + offset (0x01C8)

Bit	Attr	Reset Value	Description
31:30	RO	0x0	reserved
29:16	RO	0x0000	ro_line_num_id2 The id2 line number in one frame.
15:14	RO	0x0	reserved
13:0	RO	0x0000	ro_pix_num_id2 The id2 pixel number in one line.

**VICAP MIPI0 SIZE NUM ID3**

Address: Operational Base + offset (0x01CC)

Bit	Attr	Reset Value	Description
31:30	RO	0x0	reserved

Bit	Attr	Reset Value	Description
29:16	RO	0x0000	ro_line_num_id3 The id3 line number in one frame.
15:14	RO	0x0	reserved
13:0	RO	0x0000	ro_pix_num_id3 The id3 pixel number in one line.

**VICAP\_MIPI1\_ID0\_CTRL0**

Address: Operational Base + offset (0x0200)

Bit	Attr	Reset Value	Description
31:30	RW	0x0	sw_vc_hdr_id_main_id0 The id that is the first coming. Note: This register is available when sw_hdr_mode_idx=2'b00 and sw_vc_hdr_protect=1'b1.
29	RW	0x0	sw_vc_hdr_protect_id0 1'b0: Not ensure hdr long exposure frame is captured firstly; 1'b1: Ensure hdr long exposure frame is captured firstly. Note: This register is available when sw_hdr_mode_idx=2'b00. And sw_vc_hdr_id_main must be configured correctly(the first coming id).
28	RW	0x0	sw_dma_en_id0 Enable dma transport id0. 1'b0: Disable 1'b1: Enable
27	RW	0x0	sw_align_id0 1'b0: Low alignment(raw10/12 will in [9:0]/[11:0]) 1'b1: High alignment(raw10/12 will in [15:6]/[15:4]) Only be used when non-compacted mode.
26	RW	0x0	sw_command_mode_en_id0 Select command mode for id0. 1'b0: Not command mode 1'b1: Command mode
25:24	RW	0x0	sw_on_hdr_line_cnt_id0 If sw_mipi0_on_hdr_mode_id0=1(2), the line count value will circulate between 0~1(2). And if sw_mipi0_on_hdr_line_cnt_id0=1, id0 channel will capture the line which line count value equal to 1.
23:22	RW	0x0	sw_on_hdr_mode_id0 2'b00: Normal mode(no HDR) 2'b01: 2 frames HDR 2'b10: 3 frames HDR 2'b11: Reserved

Bit	Attr	Reset Value	Description
21:20	RW	0x0	sw_hdr_mode_id0 2'b00: HDR distinguished by virtual channel 2'b01: HDR distinguished by line number(ON HDR mode) 2'b10: HDR distinguished by first 4pixel(SONY HDR mode) 2'b11: Reserved
19:18	RW	0x0	sw_yuyv_out_order_id0 2'b00: UYVY(CSI-2 standard) 2'b01: VYUY 2'b10: YUYV 2'b11: YVYU
17:16	RW	0x0	sw_yuyv_in_order_id0 2'b00: UYVY(CSI-2 standard) 2'b01: VYUY 2'b10: YUYV 2'b11: YVYU
15:10	RW	0x00	sw_dt_id0 Data type for id0.
9:8	RW	0x0	sw_vc_id0 Virtual channel for id0.
7:5	RW	0x0	sw_wrddr_type_id0 The write ddr type of id0. 3'b000: Raw-compact 3'b001: Raw-uncompact 3'b010: YUV packet 3'b011: YUV 400 3'b100: YUV 422sp 3'b101: YUV 420sp Others: Reserved
4	RW	0x0	sw_crop_en_id0 Enable to crop for id0. 1'b0: Disable 1'b1: Enable
3:1	RW	0x0	sw_parse_type_id0 The parse type of id0. 3'b000: For raw8/rgb888 3'b001: For raw10 3'b010: For raw12 3'b011: For raw14(data will be clipped to 12bit) 3'b100: For yuv422 8bit Others: Reserved
0	RW	0x0	sw_cap_en_id0 Enable to capture id0. 1'b0: Disable 1'b1: Enable

**VICAP MIPI1 ID0 CTRL1**

Address: Operational Base + offset (0x0204)

Bit	Attr	Reset Value	Description
31:30	RO	0x0	reserved
29:16	RW	0x0000	sw_height_id0 Height for id0.
15:14	RO	0x0	reserved
13:0	RW	0x0000	sw_width_id0 Width for id0. If sw_wrddr_type is rgb888, then the width is equal to the number of bytes(not pixel). If sw_crop_en_id0 is enable the width value must be 4 aligned.

**VICAP MIPI1 ID1 CTRL0**

Address: Operational Base + offset (0x0208)

Bit	Attr	Reset Value	Description
31:30	RW	0x0	sw_vc_hdr_id_main_id1 The id that is the first coming. Note: This register is available when sw_hdr_mode_idx=2'b00 and sw_vc_hdr_protect=1'b1.
29	RW	0x0	sw_vc_hdr_protect_id1 1'b0: Not ensure hdr long exposure frame is captured firstly; 1'b1: Ensure hdr long exposure frame is captured firstly. Note: This register is available when sw_hdr_mode_idx=2'b00. And sw_vc_hdr_id_main must be configured correctly(the first coming id).
28	RW	0x0	sw_dma_en_id1 Enable dma transport id1. 1'b0: Disable 1'b1: Enable
27	RW	0x0	sw_align_id1 1'b0: Low alignment(raw10/12 will in [9:0]/[11:0]) 1'b1: High alignment(raw10/12 will in [15:6]/[15:4]) Only be used when non-compacted mode.
26	RW	0x0	sw_command_mode_en_id1 Select command mode for id1. 1'b0: Not command mode 1'b1: Command mode
25:24	RW	0x0	sw_on_hdr_line_cnt_id1 If sw_mipi0_on_hdr_mode_id1=1(2), the line count value will circulate between 0~1(2). And if sw_mipi0_on_hdr_line_cnt_id1=1, id1 channel will capture the line which line count value equal to 1.

Bit	Attr	Reset Value	Description
23:22	RW	0x0	sw_on_hdr_mode_id1 2'b00: Normal mode(no HDR) 2'b01: 2 frames HDR 2'b10: 3 frames HDR 2'b11: Reserved
21:20	RW	0x0	sw_hdr_mode_id1 2'b00: HDR distinguished by virtual channel 2'b01: HDR distinguished by line number(ON HDR mode) 2'b10: HDR distinguished by first 4pixel(SONY HDR mode) 2'b11: Reserved
19:18	RW	0x0	sw_yuyv_out_order_id1 2'b00: UYVY(CSI-2 standard) 2'b01: VYUY 2'b10: YUYV 2'b11: YVYU
17:16	RW	0x0	sw_yuyv_in_order_id1 2'b00: UYVY(CSI-2 standard) 2'b01: VYUY 2'b10: YUYV 2'b11: YVYU
15:10	RW	0x00	sw_dt_id1 Data type for id1.
9:8	RW	0x0	sw_vc_id1 Virtual channel for id1.
7:5	RW	0x0	sw_wrddr_type_id1 The write ddr type of id1. 3'b000: Raw-compact 3'b001: Raw-uncompact 3'b010: YUV packet 3'b011: YUV 400 3'b100: YUV 422sp 3'b101: YUV 420sp Others: Reserved
4	RW	0x0	sw_crop_en_id1 Enable to crop for id1. 1'b0: Disable 1'b1: Enable
3:1	RW	0x0	sw_parse_type_id1 The parse type of id1. 3'b000: For raw8/rgb888 3'b001: For raw10 3'b010: For raw12 3'b011: For raw14(data will be clipped to 12bit) 3'b100: For yuv422 8bit Others: Reserved

Bit	Attr	Reset Value	Description
0	RW	0x0	sw_cap_en_id1 Enable to capture id1. 1'b0: Disable 1'b1: Enable

**VICAP MIPI1 ID1 CTRL1**

Address: Operational Base + offset (0x020C)

Bit	Attr	Reset Value	Description
31:30	RO	0x0	reserved
29:16	RW	0x0000	sw_height_id1 Height for id1.
15:14	RO	0x0	reserved
13:0	RW	0x0000	sw_width_id1 Width for id1. If sw_wrddr_type is rgb888, then the width is equal to the number of bytes(not pixel). If sw_crop_en_id1 is enable the width value must be 4 aligned.

**VICAP MIPI1 ID2 CTRL0**

Address: Operational Base + offset (0x0210)

Bit	Attr	Reset Value	Description
31:30	RW	0x0	sw_vc_hdr_id_main_id2 The id that is the first coming. Note: This register is available when sw_hdr_mode_idx=2'b00 and sw_vc_hdr_protect=1'b1.
29	RW	0x0	sw_vc_hdr_protect_id2 1'b0: Not ensure hdr long exposure frame is captured firstly; 1'b1: Ensure hdr long exposure frame is captured firstly. Note: This register is available when sw_hdr_mode_idx=2'b00. And sw_vc_hdr_id_main must be configured correctly(the first coming id).
28	RW	0x0	sw_dma_en_id2 Enable dma transport id2. 1'b0: Disable 1'b1: Enable
27	RW	0x0	sw_align_id2 1'b0: Low alignment(raw10/12 will in [9:0]/[11:0]) 1'b1: High alignment(raw10/12 will in [15:6]/[15:4]) Only be used when non-compacted mode.
26	RW	0x0	sw_command_mode_en_id2 Select command mode for id2. 1'b0: Not command mode 1'b1: Command mode

Bit	Attr	Reset Value	Description
25:24	RW	0x0	sw_on_hdr_line_cnt_id2 If sw_mipi0_on_hdr_mode_id2=1(2), the line count value will circulate between 0~1(2). And if sw_mipi0_on_hdr_line_cnt_id2=1, id2 channel will capture the line which line count value equal to 1.
23:22	RW	0x0	sw_on_hdr_mode_id2 2'b00: Normal mode(no HDR) 2'b01: 2 frames HDR 2'b10: 3 frames HDR 2'b11: Reserved
21:20	RW	0x0	sw_hdr_mode_id2 2'b00: HDR distinguished by virtual channel 2'b01: HDR distinguished by line number(ON HDR mode) 2'b10: HDR distinguished by first 4pixel(SONY HDR mode) 2'b11: Reserved
19:18	RW	0x0	sw_yuyv_out_order_id2 2'b00: UYVY(CSI-2 standard) 2'b01: VYUY 2'b10: YUYV 2'b11: YVYU
17:16	RW	0x0	sw_yuyv_in_order_id2 2'b00: UYVY(CSI-2 standard) 2'b01: VYUY 2'b10: YUYV 2'b11: YVYU
15:10	RW	0x00	sw_dt_id2 Data type for id2.
9:8	RW	0x0	sw_vc_id2 Virtual channel for id2.
7:5	RW	0x0	sw_wrddr_type_id2 The write ddr type of id2. 3'b000: Raw-compact 3'b001: Raw-uncompact 3'b010: YUV packet 3'b011: YUV 400 3'b100: YUV 422sp 3'b101: YUV 420sp Others: Reserved
4	RW	0x0	sw_crop_en_id2 Enable to crop for id2. 1'b0: Disable 1'b1: Enable

Bit	Attr	Reset Value	Description
3:1	RW	0x0	sw_parse_type_id2 The parse type of id2. 3'b000: For raw8/rgb888 3'b001: For raw10 3'b010: For raw12 3'b011: For raw14(data will be clipped to 12bit) 3'b100: For yuv422 8bit Others: Reserved
0	RW	0x0	sw_cap_en_id2 Enable to capture id2. 1'b0: Disable 1'b1: Enable

**VICAP\_MIPI1\_ID2\_CTRL1**

Address: Operational Base + offset (0x0214)

Bit	Attr	Reset Value	Description
31:30	RO	0x0	reserved
29:16	RW	0x0000	sw_height_id2 Height for id2.
15:14	RO	0x0	reserved
13:0	RW	0x0000	sw_width_id2 Width for id2. If sw_wrddr_type is rgb888, then the width is equal to the number of bytes(not pixel). If sw_crop_en_id2 is enable the width value must be 4 aligned.

**VICAP\_MIPI1\_ID3\_CTRL0**

Address: Operational Base + offset (0x0218)

Bit	Attr	Reset Value	Description
31:30	RW	0x0	sw_vc_hdr_id_main_id3 The id that is the first coming. Note: This register is available when sw_hdr_mode_idx=2'b00 and sw_vc_hdr_protect=1'b1.
29	RW	0x0	sw_vc_hdr_protect_id3 1'b0: Not ensure hdr long exposure frame is captured firstly; 1'b1: Ensure hdr long exposure frame is captured firstly. Note: This register is available when sw_hdr_mode_idx=2'b00. And sw_vc_hdr_id_main must be configured correctly(the first coming id).
28	RW	0x0	sw_dma_en_id3 Enable dma transport id3. 1'b0: Disable 1'b1: Enable



Bit	Attr	Reset Value	Description
27	RW	0x0	sw_align_id3 1'b0: Low alignment(raw10/12 will in [9:0]/[11:0]) 1'b1: High alignment(raw10/12 will in [15:6]/[15:4]) Only be used when non-compacted mode.
26	RW	0x0	sw_command_mode_en_id3 Select command mode for id3. 1'b0: Not command mode 1'b1: Command mode
25:24	RW	0x0	sw_on_hdr_line_cnt_id3 If sw_mipi0_on_hdr_mode_id3=1(2), the line count value will circulate between 0~1(2). And if sw_mipi0_on_hdr_line_cnt_id3=1, id3 channel will capture the line which line count value equal to 1.
23:22	RW	0x0	sw_on_hdr_mode_id3 2'b00: Normal mode(no HDR) 2'b01: 2 frames HDR 2'b10: 3 frames HDR 2'b11: Reserved
21:20	RW	0x0	sw_hdr_mode_id3 2'b00: HDR distinguished by virtual channel 2'b01: HDR distinguished by line number(ON HDR mode) 2'b10: HDR distinguished by first 4pixel(SONY HDR mode) 2'b11: Reserved
19:18	RW	0x0	sw_yuyv_out_order_id3 2'b00: UYVY(CSI-2 standard) 2'b01: VYUY 2'b10: YUYV 2'b11: YVYU
17:16	RW	0x0	sw_yuyv_in_order_id3 2'b00: UYVY(CSI-2 standard) 2'b01: VYUY 2'b10: YUYV 2'b11: YVYU
15:10	RW	0x00	sw_dt_id3 Data type for id3.
9:8	RW	0x0	sw_vc_id3 Virtual channel for id3.

Bit	Attr	Reset Value	Description
7:5	RW	0x0	sw_wrddr_type_id3 The write ddr type of id3. 3'b000: Raw-compact 3'b001: Raw-uncompact 3'b010: YUV packet 3'b011: YUV 400 3'b100: YUV 422sp 3'b101: YUV 420sp Others: Reserved
4	RW	0x0	sw_crop_en_id3 Enable to crop for id3. 1'b0: Disable 1'b1: Enable
3:1	RW	0x0	sw_parse_type_id3 The parse type of id3. 3'b000: For raw8/rgb888 3'b001: For raw10 3'b010: For raw12 3'b011: For raw14(data will be clipped to 12bit) 3'b100: For yuv422 8bit Others: Reserved
0	RW	0x0	sw_cap_en_id3 Enable to capture id3. 1'b0: Disable 1'b1: Enable

**VICAP MIPI1 ID3 CTRL1**

Address: Operational Base + offset (0x021C)

Bit	Attr	Reset Value	Description
31:30	RO	0x0	reserved
29:16	RW	0x0000	sw_height_id3 Height for id3.
15:14	RO	0x0	reserved
13:0	RW	0x0000	sw_width_id3 Width for id3. If sw_wrddr_type is rgb888, then the width is equal to the number of bytes(not pixel). If sw_crop_en_id3 is enable the width value must be 4 aligned.

**VICAP MIPI1 CTRL**

Address: Operational Base + offset (0x0220)

Bit	Attr	Reset Value	Description
31:20	RO	0x000	reserved

Bit	Attr	Reset Value	Description
19:18	RW	0x0	sw_soft_rst_mode 2'b00: Soft reset and protect toisp path frame integrity; 2'b01: Soft reset and protect toisp path frame integrity and pull down sw_cap_en automatically; 2'b10: Soft reset directly; 2'b11: Reserved.
17	RW	0x0	sw_soft_rst 1'b0: Not reset 1'b1: Reset the VICAP MIPI1 path(except MMU/AXI MASTER/REG FILE)
16	RW	0x0	sw_dma_rst Write 1 will reset VICAP MIPI1 path dma. When this bit change to 0,dma is reseted completely.
15:13	RW	0x0	sw_press_value Press value.
12	RW	0x0	sw_press_en 1'b0: Disable press 1'b1: Enable press
11:8	RO	0x0	reserved
7:5	RW	0x0	sw_hurry_value Hurry value.
4	RW	0x0	sw_hurry_en 1'b0: Disable hurry 1'b1: Enable hurry
3	RO	0x0	reserved
2:1	RW	0x0	sw_water_line 2'b00: 75% 2'b01: 50% 2'b10: 25% 2'b11: 0%
0	RW	0x0	sw_cap_en 1'b0: Disable capture all id 1'b1: Enable capture all id.

**VICAP MIPI1 FRAME0 ADDR Y ID0**

Address: Operational Base + offset (0x0224)

Bit	Attr	Reset Value	Description
31:0	RW	0x00000000	sw_frame0_addr_y_id0 First address of even frame for ID0 Y/RAW/RGB path(must be aligned to double word).

**VICAP MIPI1 FRAME1 ADDR Y ID0**

Address: Operational Base + offset (0x0228)

Bit	Attr	Reset Value	Description
31:0	RW	0x00000000	sw_frame1_addr_y_id0 First address of odd frame for ID0 Y path(must be aligned to double word).

**VICAP MIPI1 FRAME0 ADDR UV ID0**

Address: Operational Base + offset (0x022C)

Bit	Attr	Reset Value	Description
31:0	RW	0x00000000	sw_frame0_addr_uv_id0 First address of even frame for ID0 UV path(must be aligned to double word).

**VICAP MIPI1 FRAME1 ADDR UV ID0**

Address: Operational Base + offset (0x0230)

Bit	Attr	Reset Value	Description
31:0	RW	0x00000000	sw_frame1_addr_uv_id0 First address of odd frame for ID0 UV path(must be aligned to double word).

**VICAP MIPI1 VLW ID0**

Address: Operational Base + offset (0x0234)

Bit	Attr	Reset Value	Description
31:20	RO	0x000	reserved
19:0	RW	0x00000	sw_vlw_id0 Virtual line width of even frame for ID0 path(must be aligned to double word).

**VICAP MIPI1 FRAME0 ADDR Y ID1**

Address: Operational Base + offset (0x0238)

Bit	Attr	Reset Value	Description
31:0	RW	0x00000000	sw_frame0_addr_y_id1 First address of even frame for ID1 Y/RAW/RGB path(must be aligned to double word).

**VICAP MIPI1 FRAME1 ADDR Y ID1**

Address: Operational Base + offset (0x023C)

Bit	Attr	Reset Value	Description
31:0	RW	0x00000000	sw_frame1_addr_y_id1 First address of odd frame for ID1 Y/RAW/RGB path(must be aligned to double word).

**VICAP MIPI1 FRAME0 ADDR UV ID1**

Address: Operational Base + offset (0x0240)

Bit	Attr	Reset Value	Description
31:0	RW	0x00000000	sw_frame0_addr_uv_id1 First address of even frame for ID1 UV path(must be aligned to double word).

**VICAP MIPI1 FRAME1 ADDR UV ID1**

Address: Operational Base + offset (0x0244)

Bit	Attr	Reset Value	Description
31:0	RW	0x00000000	sw_frame1_addr_uv_id1 First address of odd frame for ID1 UV path(must be aligned to double word).

**VICAP MIPI1 VLW ID1**

Address: Operational Base + offset (0x0248)

Bit	Attr	Reset Value	Description
31:20	RO	0x000	reserved
19:0	RW	0x00000	sw_vlw_id1 Virtual line width of even frame for ID1 Y/RAW/RGB path(must be aligned to double word).

**VICAP MIPI1 FRAME0 ADDR Y ID2**

Address: Operational Base + offset (0x024C)

Bit	Attr	Reset Value	Description
31:0	RW	0x00000000	sw_frame0_addr_y_id2 First address of even frame for ID2 Y/RAW/RGB path(must be aligned to double word).

**VICAP MIPI1 FRAME1 ADDR Y ID2**

Address: Operational Base + offset (0x0250)

Bit	Attr	Reset Value	Description
31:0	RW	0x00000000	sw_frame1_addr_y_id2 First address of odd frame for ID2 Y/RAW/RGB path(must be aligned to double word).

**VICAP MIPI1 FRAME0 ADDR UV ID2**

Address: Operational Base + offset (0x0254)

Bit	Attr	Reset Value	Description
31:0	RW	0x00000000	sw_frame0_addr_uv_id2 First address of even frame for ID2 UV path(must be aligned to double word).

**VICAP MIPI1 FRAME1 ADDR UV ID2**

Address: Operational Base + offset (0x0258)

Bit	Attr	Reset Value	Description
31:0	RW	0x00000000	sw_frame1_addr_uv_id0 First address of odd frame for ID2 UV path(must be aligned to double word).

**VICAP MIPI1 VLW ID2**

Address: Operational Base + offset (0x025C)

Bit	Attr	Reset Value	Description
31:20	RO	0x000	reserved
19:0	RW	0x00000	sw_vlw_id2 Virtual line width of even frame for ID2 path(must be aligned to double word).

**VICAP MIPI1 FRAME0 ADDR Y ID3**

Address: Operational Base + offset (0x0260)

Bit	Attr	Reset Value	Description
31:0	RW	0x00000000	sw_frame0_addr_y_id3 First address of even frame for ID3 Y/RAW/RGB path(must be aligned to double word).

**VICAP MIPI1 FRAME1 ADDR Y ID3**

Address: Operational Base + offset (0x0264)

Bit	Attr	Reset Value	Description
31:0	RW	0x00000000	sw_frame1_addr_y_id3 First address of odd frame for ID3 Y/RAW/RGB path(must be aligned to double word).

**VICAP MIPI1 FRAME0 ADDR UV ID3**

Address: Operational Base + offset (0x0268)

Bit	Attr	Reset Value	Description
31:0	RW	0x00000000	sw_frame0_addr_uv_id3 First address of even frame for ID3 UV path(must be aligned to double word).

**VICAP MIPI1 FRAME1 ADDR UV ID3**

Address: Operational Base + offset (0x026C)

Bit	Attr	Reset Value	Description
31:0	RW	0x00000000	sw_frame1_addr_uv_id3 First address of odd frame for ID3 UV path(must be aligned to double word).

**VICAP MIPI1 VLW ID3**

Address: Operational Base + offset (0x0270)

Bit	Attr	Reset Value	Description
31:20	RO	0x000	reserved

Bit	Attr	Reset Value	Description
19:0	RW	0x00000	sw_vlw_id3 Virtual line width of even frame for ID3 path(must be aligned to double word).

**VICAP MIPI1 INTEN**

Address: Operational Base + offset (0x0274)

Bit	Attr	Reset Value	Description
31:28	RO	0x0	reserved
27	RW	0x0	size_err_id3_inten 1'b0: Disable 1'b1: Enable
26	RW	0x0	size_err_id2_inten 1'b0: Disable 1'b1: Enable
25	RW	0x0	size_err_id1_inten 1'b0: Disable 1'b1: Enable
24	RW	0x0	size_err_id0_inten 1'b0: Disable 1'b1: Enable
23	RW	0x0	line_id3_inten 1'b0: Disable 1'b1: Enable
22	RW	0x0	line_id2_inten 1'b0: Disable 1'b1: Enable
21	RW	0x0	line_id1_inten 1'b0: Disable 1'b1: Enable
20	RW	0x0	line_id0_inten 1'b0: Disable 1'b1: Enable
19	RW	0x0	csi2rx_fifo_overflow_inten 1'b0: Disable 1'b1: Enable
18	RW	0x0	bandwidth_lack_inten 1'b0: Disable 1'b1: Enable
17	RW	0x0	dma_uv_fifo_overflow_inten Enable the interrupt of dma fifo overflow of MIPI uv path or LVDS id1 path. 1'b0: Disable 1'b1: Enable

Bit	Attr	Reset Value	Description
16	RW	0x0	dma_y_fifo_overflow_inten Enable the interrupt of dma fifo overflow of MIPI y path or LVDS id0 path. 1'b0: Disable 1'b1: Enable
15	RW	0x0	frame1_dma_end_id3_inten Enable the interrupt of end of odd frame for ID1. 1'b0: Disable 1'b1: Enable
14	RW	0x0	frame0_dma_end_id3_inten Enable the interrupt of end of even frame for ID3. 1'b0: Disable 1'b1: Enable
13	RW	0x0	frame1_dma_end_id2_inten Enable the interrupt of end of odd frame for ID1. 1'b0: Disable 1'b1: Enable
12	RW	0x0	frame0_dma_end_id2_inten Enable the interrupt of end of even frame for ID2. 1'b0: Disable 1'b1: Enable
11	RW	0x0	frame1_dma_end_id1_inten Enable the interrupt of end of odd frame for ID1. 1'b0: Disable 1'b1: Enable
10	RW	0x0	frame0_dma_end_id1_inten Enable the interrupt of end of even frame for ID1. 1'b0: Disable 1'b1: Enable
9	RW	0x0	frame1_dma_end_id0_inten Enable the interrupt of end of odd frame for ID0. 1'b0: Disable 1'b1: Enable
8	RW	0x0	frame0_dma_end_id0_inten Enable the interrupt of end of even frame for ID0. 1'b0: Disable 1'b1: Enable
7	RW	0x0	frame1_start_id3_inten Enable the interrupt of start of odd frame for ID3. 1'b0: Disable 1'b1: Enable
6	RW	0x0	frame0_start_id3_inten Enable the interrupt of start of even frame for ID3. 1'b0: Disable 1'b1: Enable



Bit	Attr	Reset Value	Description
5	RW	0x0	frame1_start_id2_inten Enable the interrupt of start of odd frame for ID2. 1'b0: Disable 1'b1: Enable
4	RW	0x0	frame0_start_id2_inten Enable the interrupt of start of even frame for ID2. 1'b0: Disable 1'b1: Enable
3	RW	0x0	frame1_start_id1_inten Enable the interrupt of start of odd frame for ID1. 1'b0: Disable 1'b1: Enable
2	RW	0x0	frame0_start_id1_inten Enable the interrupt of start of even frame for ID1. 1'b0: Disable 1'b1: Enable
1	RW	0x0	frame1_start_id0_inten Enable the interrupt of start of odd frame for ID0. 1'b0: Disable 1'b1: Enable
0	RW	0x0	frame0_start_id0_inten Enable the interrupt of start of even frame for ID0. 1'b0: Disable 1'b1: Enable

**VICAP\_MIPI1\_INTSTAT**

Address: Operational Base + offset (0x0278)

Bit	Attr	Reset Value	Description
31:28	RO	0x0	reserved
27	W1 C	0x0	size_err_id3_intst 1'b0: No interrupt 1'b1: Interrupt
26	W1 C	0x0	size_err_id2_intst 1'b0: No interrupt 1'b1: Interrupt
25	W1 C	0x0	size_err_id1_intst 1'b0: No interrupt 1'b1: Interrupt
24	W1 C	0x0	size_err_id0_intst 1'b0: No interrupt 1'b1: Interrupt
23	W1 C	0x0	line_id3_intst 1'b0: No interrupt 1'b1: Interrupt

Bit	Attr	Reset Value	Description
22	W1 C	0x0	line_id2_intst 1'b0: No interrupt 1'b1: Interrupt
21	W1 C	0x0	line_id1_intst 1'b0: No interrupt 1'b1: Interrupt
20	W1 C	0x0	line_id0_intst 1'b0: No interrupt 1'b1: Interrupt
19	W1 C	0x0	csi2rx_fifo_overflow_intst 1'b0: No interrupt 1'b1: Interrupt
18	W1 C	0x0	bandwidth_lack_intst 1'b0: No interrupt 1'b1: Interrupt
17	W1 C	0x0	dma_uv_fifo_overflow_intst 1'b0: No interrupt 1'b1: Interrupt
16	W1 C	0x0	dma_y_fifo_overflow_intst 1'b0: No interrupt 1'b1: Interrupt
15	W1 C	0x0	frame1_dma_end_id3_intst 1'b0: No interrupt 1'b1: Interrupt
14	W1 C	0x0	frame0_dma_end_id3_intst 1'b0: No interrupt 1'b1: Interrupt
13	W1 C	0x0	frame1_dma_end_id2_intst 1'b0: No interrupt 1'b1: Interrupt
12	W1 C	0x0	frame0_dma_end_id2_intst 1'b0: No interrupt 1'b1: Interrupt
11	W1 C	0x0	frame1_dma_end_id1_intst 1'b0: No interrupt 1'b1: Interrupt
10	W1 C	0x0	frame0_dma_end_id1_intst 1'b0: No interrupt 1'b1: Interrupt
9	W1 C	0x0	frame1_dma_end_id0_intst 1'b0: No interrupt 1'b1: Interrupt
8	W1 C	0x0	frame0_dma_end_id0_intst 1'b0: No interrupt 1'b1: Interrupt

Bit	Attr	Reset Value	Description
7	W1 C	0x0	frame1_start_id3_intst 1'b0: No interrupt 1'b1: Interrupt
6	W1 C	0x0	frame0_start_id3_intst 1'b0: No interrupt 1'b1: Interrupt
5	W1 C	0x0	frame1_start_id2_intst 1'b0: No interrupt 1'b1: Interrupt
4	W1 C	0x0	frame0_start_id2_intst 1'b0: No interrupt 1'b1: Interrupt
3	W1 C	0x0	frame1_start_id1_intst 1'b0: No interrupt 1'b1: Interrupt
2	W1 C	0x0	frame0_start_id1_intst 1'b0: No interrupt 1'b1: Interrupt
1	W1 C	0x0	frame1_start_id0_intst 1'b0: No interrupt 1'b1: Interrupt
0	W1 C	0x0	frame0_start_id0_intst 1'b0: No interrupt 1'b1: Interrupt

**VICAP MIPI1 LINE INT NUM ID0 1**

Address: Operational Base + offset (0x027C)

Bit	Attr	Reset Value	Description
31	RW	0x0	line_int_mode_id1 1'b0: One-time mode 1'b1: Circular mode
30	RO	0x0	reserved
29:16	RW	0x0040	line_int_num_id1 For one-time mode, if line_int_num_id1=100, then channel 1 receive 100th line,the line_id1_intst will be 1. For circular mode, if line_int_num_id1=100, then channel 1 receive 100th line200th line300th line.....the line_id1_intst will be 1.
15	RW	0x0	line_int_mode_id0 1'b0: One-time mode 1'b1: Circular mode
14	RO	0x0	reserved

Bit	Attr	Reset Value	Description
13:0	RW	0x0040	line_int_num_id0 For one-time mode, if line_int_num_id0=100, then channel 0 receive 100th line,the line_id0_intst will be 1. For circular mode, if line_int_num_id0=100, then channel 0 receive 100th line200th line300th line.....the line_id0_intst will be 1.

**VICAP MIPI1 LINE INT NUM ID2 3**

Address: Operational Base + offset (0x0280)

Bit	Attr	Reset Value	Description
31	RW	0x0	line_int_mode_id3 1'b0: One-time mode 1'b1: Circular mode
30	RO	0x0	reserved
29:16	RW	0x0040	line_int_num_id3 For one-time mode, if line_int_num_id3=100, then channel 3 receive 100th line,the line_id3_intst will be 1. For circular mode, if line_int_num_id3=100, then channel 3 receive 100th line200th line300th line.....the line_id3_intst will be 1.
15	RW	0x0	line_int_mode_id2 1'b0: One-time mode 1'b1: Circular mode
14	RO	0x0	reserved
13:0	RW	0x0040	line_int_num_id2 For one-time mode, if line_int_num_id2=100, then channel 2 receive 100th line,the line_id2_intst will be 1. For circular mode, if line_int_num_id2=100, then channel 2 receive 100th line200th line300th line.....the line_id2_intst will be 1.

**VICAP MIPI1 LINE CNT ID0 1**

Address: Operational Base + offset (0x0284)

Bit	Attr	Reset Value	Description
31:30	RO	0x0	reserved
29:16	RO	0x0000	ro_line_cnt_id1 Current line count for id1.
15:14	RO	0x0	reserved
13:0	RO	0x0000	ro_line_cnt_id0 Current line count for id0.

**VICAP MIPI1 LINE CNT ID2 3**

Address: Operational Base + offset (0x0288)

Bit	Attr	Reset Value	Description
31:30	RO	0x0	reserved

Bit	Attr	Reset Value	Description
29:16	RW	0x0000	line_cnt_id3 Current line count for id3.
15:14	RO	0x0	reserved
13:0	RW	0x0000	line_cnt_id2 Current line count for id2.

**VICAP MIPI1 ID0 CROP START**

Address: Operational Base + offset (0x028C)

Bit	Attr	Reset Value	Description
31:30	RO	0x0	reserved
29:16	RW	0x0000	sw_start_y_id0 The start y coordinate for id0.
15:14	RO	0x0	reserved
13:0	RW	0x0000	sw_start_x_id0 The start x coordinate for id0, if sw_wrddr_type is rgb888, then the start x is measured in byte. The start x value must be 4 aligned.

**VICAP MIPI1 ID1 CROP START**

Address: Operational Base + offset (0x0290)

Bit	Attr	Reset Value	Description
31:30	RO	0x0	reserved
29:16	RW	0x0000	sw_start_y_id1 The start y coordinate for id1.
15:14	RO	0x0	reserved
13:0	RW	0x0000	sw_start_x_id1 The start x coordinate for id1, if sw_wrddr_type is rgb888, then the start x is measured in byte. The start x value must be 4 aligned.

**VICAP MIPI1 ID2 CROP START**

Address: Operational Base + offset (0x0294)

Bit	Attr	Reset Value	Description
31:30	RO	0x0	reserved
29:16	RW	0x0000	sw_start_y_id2 The start y coordinate for id2.
15:14	RO	0x0	reserved
13:0	RW	0x0000	sw_start_x_id2 The start x coordinate for id2, if sw_wrddr_type is rgb888, then the start x is measured in byte. The start x value must be 4 aligned.

**VICAP MIPI1 ID3 CROP START**

Address: Operational Base + offset (0x0298)

Bit	Attr	Reset Value	Description
31:30	RO	0x0	reserved
29:16	RW	0x0000	sw_start_y_id3 The start y coordinate for id3.
15:14	RO	0x0	reserved
13:0	RW	0x0000	sw_start_x_id3 The start x coordinate for id3, if sw_wrddr_type is rgb888, then the start x is measured in byte. The start x value must be 4 aligned.

**VICAP MIPI1 FRAME NUM VC0**

Address: Operational Base + offset (0x029C)

Bit	Attr	Reset Value	Description
31:16	RO	0x0000	ro_frame_num_end_vc0 The frame number of frame end of virtual channel 0.
15:0	RO	0x0000	ro_frame_num_start_vc0 The frame number of frame start of virtual channel 0.

**VICAP MIPI1 FRAME NUM VC1**

Address: Operational Base + offset (0x02A0)

Bit	Attr	Reset Value	Description
31:16	RO	0x0000	ro_frame_num_end_vc1 The frame number of frame end of virtual channel 1.
15:0	RO	0x0000	ro_frame_num_start_vc1 The frame number of frame start of virtual channel 1.

**VICAP MIPI1 FRAME NUM VC2**

Address: Operational Base + offset (0x02A4)

Bit	Attr	Reset Value	Description
31:16	RO	0x0000	ro_frame_num_end_vc2 The frame number of frame end of virtual channel 2.
15:0	RO	0x0000	ro_frame_num_start_vc2 The frame number of frame start of virtual channel 2.

**VICAP MIPI1 FRAME NUM VC3**

Address: Operational Base + offset (0x02A8)

Bit	Attr	Reset Value	Description
31:16	RO	0x0000	ro_frame_num_end_vc3 The frame number of frame end of virtual channel 3.
15:0	RO	0x0000	ro_frame_num_start_vc3 The frame number of frame start of virtual channel 3.

**VICAP MIPI1 ID0 EFFECT CODE**

Address: Operational Base + offset (0x02AC)

Bit	Attr	Reset Value	Description
31:30	RO	0x0	reserved
29:16	RW	0x0000	sw_sony_effect_code1_id0 Effect code of id0 for sony sensor.
15:14	RO	0x0	reserved
13:0	RW	0x0000	sw_sony_effect_code0_id0 Effect code of id0 for sony sensor.

**VICAP MIPI1 ID1 EFFECT CODE**

Address: Operational Base + offset (0x02B0)

Bit	Attr	Reset Value	Description
31:30	RO	0x0	reserved
29:16	RW	0x0000	sw_sony_effect_code1_id1 Effect code of id1 for sony sensor.
15:14	RO	0x0	reserved
13:0	RW	0x0000	sw_sony_effect_code0_id1 Effect code of id1 for sony sensor.

**VICAP MIPI1 ID2 EFFECT CODE**

Address: Operational Base + offset (0x02B4)

Bit	Attr	Reset Value	Description
31:30	RO	0x0	reserved
29:16	RW	0x0000	sw_sony_effect_code1_id2 Effect code of id2 for sony sensor.
15:14	RO	0x0	reserved
13:0	RW	0x0000	sw_sony_effect_code0_id2 Effect code of id2 for sony sensor.

**VICAP MIPI1 ID3 EFFECT CODE**

Address: Operational Base + offset (0x02B8)

Bit	Attr	Reset Value	Description
31:30	RO	0x0	reserved
29:16	RW	0x0000	sw_sony_effect_code1_id3 Effect code of id3 for sony sensor.
15:14	RO	0x0	reserved
13:0	RW	0x0000	sw_sony_effect_code0_id3 Effect code of id3 for sony sensor.

**VICAP MIPI1 ON PAD VALUE**

Address: Operational Base + offset (0x02BC)

Bit	Attr	Reset Value	Description
31:14	RO	0x00000	reserved
13:0	RW	0x0000	sw_on_pad_value Padding value for ON sensor.

**VICAP MIPI1 SIZE NUM ID0**

Address: Operational Base + offset (0x02C0)

Bit	Attr	Reset Value	Description
31:30	RO	0x0	reserved
29:16	RO	0x0000	ro_line_num_id0 The id0 line number in one frame.
15:14	RO	0x0	reserved
13:0	RO	0x0000	ro_pix_num_id0 The id0 pixel number in one line.

**VICAP MIPI1 SIZE NUM ID1**

Address: Operational Base + offset (0x02C4)

Bit	Attr	Reset Value	Description
31:30	RO	0x0	reserved
29:16	RO	0x0000	ro_line_num_id1 The id1 line number in one frame.
15:14	RO	0x0	reserved
13:0	RO	0x0000	ro_pix_num_id1 The id1 pixel number in one line.

**VICAP MIPI1 SIZE NUM ID2**

Address: Operational Base + offset (0x02C8)

Bit	Attr	Reset Value	Description
31:30	RO	0x0	reserved
29:16	RO	0x0000	ro_line_num_id2 The id2 line number in one frame.
15:14	RO	0x0	reserved
13:0	RO	0x0000	ro_pix_num_id2 The id2 pixel number in one line.

**VICAP MIPI1 SIZE NUM ID3**

Address: Operational Base + offset (0x02CC)

Bit	Attr	Reset Value	Description
31:30	RO	0x0	reserved
29:16	RO	0x0000	ro_line_num_id3 The id3 line number in one frame.
15:14	RO	0x0	reserved
13:0	RO	0x0000	ro_pix_num_id3 The id3 pixel number in one line.

**VICAP MIPI2 ID0 CTRL0**

Address: Operational Base + offset (0x0300)



Bit	Attr	Reset Value	Description
31:30	RW	0x0	sw_vc_hdr_id_main_id0 The id that is the first coming. Note: This register is available when sw_hdr_mode_idx=2'b00 and sw_vc_hdr_protect=1'b1.
29	RW	0x0	sw_vc_hdr_protect_id0 1'b0: Not ensure hdr long exposure frame is captured firstly; 1'b1: Ensure hdr long exposure frame is captured firstly. Note: This register is available when sw_hdr_mode_idx=2'b00. And sw_vc_hdr_id_main must be configured correctly(the first coming id).
28	RW	0x0	sw_dma_en_id0 Enable dma transport id0. 1'b0: Disable 1'b1: Enable
27	RW	0x0	sw_align_id0 1'b0: Low alignment(raw10/12 will in [9:0]/[11:0]) 1'b1: High alignment(raw10/12 will in [15:6]/[15:4]) Only be used when non-compacted mode.
26	RW	0x0	sw_command_mode_en_id0 Select command mode for id0. 1'b0: Not command mode 1'b1: Command mode
25:24	RW	0x0	sw_on_hdr_line_cnt_id0 If sw_mipi0_on_hdr_mode_id0=1(2), the line count value will circulate between 0~1(2). And if sw_mipi0_on_hdr_line_cnt_id0=1, id0 channel will capture the line which line count value equal to 1.
23:22	RW	0x0	sw_on_hdr_mode_id0 2'b00: Normal mode(no HDR) 2'b01: 2 frames HDR 2'b10: 3 frames HDR 2'b11: Reserved
21:20	RW	0x0	sw_hdr_mode_id0 2'b00: HDR distinguished by virtual channel 2'b01: HDR distinguished by line number(ON HDR mode) 2'b10: HDR distinguished by first 4pixel(SONY HDR mode) 2'b11: Reserved
19:18	RW	0x0	sw_yuyv_out_order_id0 2'b00: UYVY(CSI-2 standard) 2'b01: VYUY 2'b10: YUYV 2'b11: YVYU

Bit	Attr	Reset Value	Description
17:16	RW	0x0	sw_yuyv_in_order_id0 2'b00: UYVY(CSI-2 standard) 2'b01: VYUY 2'b10: YUYV 2'b11: YVYU
15:10	RW	0x00	sw_dt_id0 Data type for id0.
9:8	RW	0x0	sw_vc_id0 Virtual channel for id0.
7:5	RW	0x0	sw_wrddr_type_id0 The write ddr type of id0. 3'b000: Raw-compact 3'b001: Raw-uncompact 3'b010: YUV packet 3'b011: YUV 400 3'b100: YUV 422sp 3'b101: YUV 420sp Others: Reserved
4	RW	0x0	sw_crop_en_id0 Enable to crop for id0. 1'b0: Disable 1'b1: Enable
3:1	RW	0x0	sw_parse_type_id0 The parse type of id0. 3'b000: For raw8/rgb888 3'b001: For raw10 3'b010: For raw12 3'b011: For raw14(data will be clipped to 12bit) 3'b100: For yuv422 8bit Others: Reserved
0	RW	0x0	sw_cap_en_id0 Enable to capture id0. 1'b0: Disable 1'b1: Enable

**VICAP MIPI2 ID0 CTRL1**

Address: Operational Base + offset (0x0304)

Bit	Attr	Reset Value	Description
31:30	RO	0x0	reserved
29:16	RW	0x0000	sw_height_id0 Height for id0.
15:14	RO	0x0	reserved

Bit	Attr	Reset Value	Description
13:0	RW	0x0000	sw_width_id0 Width for id0. If sw_wrddr_type is rgb888, then the width is equal to the number of bytes(not pixel). If sw_crop_en_id0 is enable the width value must be 4 aligned.

**VICAP MIPI2 ID1 CTRL0**

Address: Operational Base + offset (0x0308)

Bit	Attr	Reset Value	Description
31:30	RW	0x0	sw_vc_hdr_id_main_id1 The id that is the first coming. Note: This register is available when sw_hdr_mode_idx=2'b00 and sw_vc_hdr_protect=1'b1.
29	RW	0x0	sw_vc_hdr_protect_id1 1'b0: Not ensure hdr long exposure frame is captured firstly; 1'b1: Ensure hdr long exposure frame is captured firstly. Note: This register is available when sw_hdr_mode_idx=2'b00. And sw_vc_hdr_id_main must be configured correctly(the first coming id).
28	RW	0x0	sw_dma_en_id1 Enable dma transport id1. 1'b0: Disable 1'b1: Enable
27	RW	0x0	sw_align_id1 1'b0: Low alignment(raw10/12 will in [9:0]/[11:0]) 1'b1: High alignment(raw10/12 will in [15:6]/[15:4]) Only be used when non-compacted mode.
26	RW	0x0	sw_command_mode_en_id1 Select command mode for id1. 1'b0: Not command mode 1'b1: Command mode
25:24	RW	0x0	sw_on_hdr_line_cnt_id1 If sw_mipi0_on_hdr_mode_id1=1(2), the line count value will circulate between 0~1(2). And if sw_mipi0_on_hdr_line_cnt_id1=1, id1 channel will capture the line which line count value equal to 1.
23:22	RW	0x0	sw_on_hdr_mode_id1 2'b00: Normal mode(no HDR) 2'b01: 2 frames HDR 2'b10: 3 frames HDR 2'b11: Reserved
21:20	RW	0x0	sw_hdr_mode_id1 2'b00: HDR distinguished by virtual channel 2'b01: HDR distinguished by line number(ON HDR mode) 2'b10: HDR distinguished by first 4pixel(SONY HDR mode) 2'b11: Reserved

Bit	Attr	Reset Value	Description
19:18	RW	0x0	sw_yuyv_out_order_id1 2'b00: UYVY(CSI-2 standard) 2'b01: VYUY 2'b10: YUYV 2'b11: YVYU
17:16	RW	0x0	sw_yuyv_in_order_id1 2'b00: UYVY(CSI-2 standard) 2'b01: VYUY 2'b10: YUYV 2'b11: YVYU
15:10	RW	0x00	sw_dt_id1 Data type for id1.
9:8	RW	0x0	sw_vc_id1 Virtual channel for id1.
7:5	RW	0x0	sw_wrddr_type_id1 The write ddr type of id1. 3'b000: Raw-compact 3'b001: Raw-uncompact 3'b010: YUV packet 3'b011: YUV 400 3'b100: YUV 422sp 3'b101: YUV 420sp Others: Reserved
4	RW	0x0	sw_crop_en_id1 Enable to crop for id1. 1'b0: Disable 1'b1: Enable
3:1	RW	0x0	sw_parse_type_id1 The parse type of id1. 3'b000: For raw8/rgb888 3'b001: For raw10 3'b010: For raw12 3'b011: For raw14(data will be clipped to 12bit) 3'b100: For yuv422 8bit Others: Reserved
0	RW	0x0	sw_cap_en_id1 Enable to capture id1. 1'b0: Disable 1'b1: Enable

**VICAP MIPI2 ID1 CTRL1**

Address: Operational Base + offset (0x030C)

Bit	Attr	Reset Value	Description
31:30	RO	0x0	reserved

Bit	Attr	Reset Value	Description
29:16	RW	0x0000	sw_height_id1 Height for id1.
15:14	RO	0x0	reserved
13:0	RW	0x0000	sw_width_id1 Width for id1. If sw_wrddr_type is rgb888, then the width is equal to the number of bytes(not pixel). If sw_crop_en_id1 is enable the width value must be 4 aligned.

**VICAP MIPI2 ID2 CTRL0**

Address: Operational Base + offset (0x0310)

Bit	Attr	Reset Value	Description
31:30	RW	0x0	sw_vc_hdr_id_main_id2 The id that is the first coming. Note: This register is available when sw_hdr_mode_idx=2'b00 and sw_vc_hdr_protect=1'b1.
29	RW	0x0	sw_vc_hdr_protect_id2 1'b0: Not ensure hdr long exposure frame is captured firstly; 1'b1: Ensure hdr long exposure frame is captured firstly. Note: This register is available when sw_hdr_mode_idx=2'b00. And sw_vc_hdr_id_main must be configured correctly(the first coming id).
28	RW	0x0	sw_dma_en_id2 Enable dma transport id2. 1'b0: Disable 1'b1: Enable
27	RW	0x0	sw_align_id2 1'b0: Low alignment(raw10/12 will in [9:0]/[11:0]) 1'b1: High alignment(raw10/12 will in [15:6]/[15:4]) Only be used when non-compacted mode.
26	RW	0x0	sw_command_mode_en_id2 Select command mode for id2. 1'b0: Not command mode 1'b1: Command mode
25:24	RW	0x0	sw_on_hdr_line_cnt_id2 If sw_mipi0_on_hdr_mode_id2=1(2), the line count value will circulate between 0~1(2). And if sw_mipi0_on_hdr_line_cnt_id2=1, id2 channel will capture the line which line count value equal to 1.
23:22	RW	0x0	sw_on_hdr_mode_id2 2'b00: Normal mode(no HDR) 2'b01: 2 frames HDR 2'b10: 3 frames HDR 2'b11: Reserved

Bit	Attr	Reset Value	Description
21:20	RW	0x0	sw_hdr_mode_id2 2'b00: HDR distinguished by virtual channel 2'b01: HDR distinguished by line number(ON HDR mode) 2'b10: HDR distinguished by first 4pixel(SONY HDR mode) 2'b11: Reserved
19:18	RW	0x0	sw_yuyv_out_order_id2 2'b00: UYVY(CSI-2 standard) 2'b01: VYUY 2'b10: YUYV 2'b11: YVYU
17:16	RW	0x0	sw_yuyv_in_order_id2 2'b00: UYVY(CSI-2 standard) 2'b01: VYUY 2'b10: YUYV 2'b11: YVYU
15:10	RW	0x00	sw_dt_id2 Data type for id2.
9:8	RW	0x0	sw_vc_id2 Virtual channel for id2.
7:5	RW	0x0	sw_wrddr_type_id2 The write ddr type of id2. 3'b000: Raw-compact 3'b001: Raw-uncompact 3'b010: YUV packet 3'b011: YUV 400 3'b100: YUV 422sp 3'b101: YUV 420sp Others: Reserved
4	RW	0x0	sw_crop_en_id2 Enable to crop for id2. 1'b0: Disable 1'b1: Enable
3:1	RW	0x0	sw_parse_type_id2 The parse type of id2. 3'b000: For raw8/rgb888 3'b001: For raw10 3'b010: For raw12 3'b011: For raw14(data will be clipped to 12bit) 3'b100: For yuv422 8bit Others: Reserved
0	RW	0x0	sw_cap_en_id2 Enable to capture id2. 1'b0: Disable 1'b1: Enable

**VICAP MIPI2 ID2 CTRL1**

Address: Operational Base + offset (0x0314)

Bit	Attr	Reset Value	Description
31:30	RO	0x0	reserved
29:16	RW	0x0000	sw_height_id2 Height for id2.
15:14	RO	0x0	reserved
13:0	RW	0x0000	sw_width_id2 Width for id2. If sw_wrddr_type is rgb888, then the width is equal to the number of bytes(not pixel). If sw_crop_en_id2 is enable the width value must be 4 aligned.

**VICAP MIPI2 ID3 CTRL0**

Address: Operational Base + offset (0x0318)

Bit	Attr	Reset Value	Description
31:30	RW	0x0	sw_vc_hdr_id_main_id3 The id that is the first coming. Note: This register is available when sw_hdr_mode_idx=2'b00 and sw_vc_hdr_protect=1'b1.
29	RW	0x0	sw_vc_hdr_protect_id3 1'b0: Not ensure hdr long exposure frame is captured firstly; 1'b1: Ensure hdr long exposure frame is captured firstly. Note: This register is available when sw_hdr_mode_idx=2'b00. And sw_vc_hdr_id_main must be configured correctly(the first coming id).
28	RW	0x0	sw_dma_en_id3 Enable dma transport id3. 1'b0: Disable 1'b1: Enable
27	RW	0x0	sw_align_id3 1'b0: Low alignment(raw10/12 will in [9:0]/[11:0]) 1'b1: High alignment(raw10/12 will in [15:6]/[15:4]) Only be used when non-compacted mode.
26	RW	0x0	sw_command_mode_en_id3 Select command mode for id3. 1'b0: Not command mode 1'b1: Command mode
25:24	RW	0x0	sw_on_hdr_line_cnt_id3 If sw_mipi0_on_hdr_mode_id3=1(2), the line count value will circulate between 0~1(2). And if sw_mipi0_on_hdr_line_cnt_id3=1, id3 channel will capture the line which line count value equal to 1.

Bit	Attr	Reset Value	Description
23:22	RW	0x0	sw_on_hdr_mode_id3 2'b00: Normal mode(no HDR) 2'b01: 2 frames HDR 2'b10: 3 frames HDR 2'b11: Reserved
21:20	RW	0x0	sw_hdr_mode_id3 2'b00: HDR distinguished by virtual channel 2'b01: HDR distinguished by line number(ON HDR mode) 2'b10: HDR distinguished by first 4pixel(SONY HDR mode) 2'b11: Reserved
19:18	RW	0x0	sw_yuyv_out_order_id3 2'b00: UYVY(CSI-2 standard) 2'b01: VYUY 2'b10: YUYV 2'b11: YVYU
17:16	RW	0x0	sw_yuyv_in_order_id3 2'b00: UYVY(CSI-2 standard) 2'b01: VYUY 2'b10: YUYV 2'b11: YVYU
15:10	RW	0x00	sw_dt_id3 Data type for id3.
9:8	RW	0x0	sw_vc_id3 Virtual channel for id3.
7:5	RW	0x0	sw_wrddr_type_id3 The write ddr type of id3. 3'b000: Raw-compact 3'b001: Raw-uncompact 3'b010: YUV packet 3'b011: YUV 400 3'b100: YUV 422sp 3'b101: YUV 420sp Others: Reserved
4	RW	0x0	sw_crop_en_id3 Enable to crop for id3. 1'b0: Disable 1'b1: Enable
3:1	RW	0x0	sw_parse_type_id3 The parse type of id3. 3'b000: For raw8/rgb888 3'b001: For raw10 3'b010: For raw12 3'b011: For raw14(data will be clipped to 12bit) 3'b100: For yuv422 8bit Others: Reserved



Bit	Attr	Reset Value	Description
0	RW	0x0	sw_cap_en_id3 Enable to capture id3. 1'b0: Disable 1'b1: Enable

**VICAP MIPI2 ID3 CTRL1**

Address: Operational Base + offset (0x031C)

Bit	Attr	Reset Value	Description
31:30	RO	0x0	reserved
29:16	RW	0x0000	sw_height_id3 Height for id3.
15:14	RO	0x0	reserved
13:0	RW	0x0000	sw_width_id3 Width for id3. If sw_wrddr_type is rgb888, then the width is equal to the number of bytes(not pixel). If sw_crop_en_id3 is enable the width value must be 4 aligned.

**VICAP MIPI2 CTRL**

Address: Operational Base + offset (0x0320)

Bit	Attr	Reset Value	Description
31:20	RO	0x000	reserved
19:18	RW	0x0	sw_soft_rst_mode 2'b00: Soft reset and protect toisp path frame integrity; 2'b01: Soft reset and protect toisp path frame integrity and pull down sw_cap_en automatically; 2'b10: Soft reset directly; 2'b11: Reserved.
17	RW	0x0	sw_soft_rst 1'b0: Not reset 1'b1: Reset the VICAP MIPI2 path(except MMU/AXI MASTER/REG FILE)
16	RW	0x0	sw_dma_rst Write 1 will reset VICAP MIPI2 path dma. When this bit change to 0,dma is reseted completely.
15:13	RW	0x0	sw_press_value Press value.
12	RW	0x0	sw_press_en 1'b0: Disable press 1'b1: Enable press
11:8	RO	0x0	reserved
7:5	RW	0x0	sw_hurry_value Hurry value.
4	RW	0x0	sw_hurry_en 1'b0: Disable hurry 1'b1: Enable hurry

Bit	Attr	Reset Value	Description
3	RO	0x0	reserved
2:1	RW	0x0	sw_water_line 2'b00: 75% 2'b01: 50% 2'b10: 25% 2'b11: 0%
0	RW	0x0	sw_cap_en 1'b0: Disable capture all id 1'b1: Enable capture all id.

**VICAP MIPI2 FRAME0 ADDR Y ID0**

Address: Operational Base + offset (0x0324)

Bit	Attr	Reset Value	Description
31:0	RW	0x00000000	sw_frame0_addr_y_id0 First address of even frame for ID0 Y/RAW/RGB path(must be aligned to double word).

**VICAP MIPI2 FRAME1 ADDR Y ID0**

Address: Operational Base + offset (0x0328)

Bit	Attr	Reset Value	Description
31:0	RW	0x00000000	sw_frame1_addr_y_id0 First address of odd frame for ID0 Y path(must be aligned to double word).

**VICAP MIPI2 FRAME0 ADDR UV ID0**

Address: Operational Base + offset (0x032C)

Bit	Attr	Reset Value	Description
31:0	RW	0x00000000	sw_frame0_addr_uv_id0 First address of even frame for ID0 UV path(must be aligned to double word).

**VICAP MIPI2 FRAME1 ADDR UV ID0**

Address: Operational Base + offset (0x0330)

Bit	Attr	Reset Value	Description
31:0	RW	0x00000000	sw_frame1_addr_uv_id0 First address of odd frame for ID0 UV path(must be aligned to double word).

**VICAP MIPI2 VLW ID0**

Address: Operational Base + offset (0x0334)

Bit	Attr	Reset Value	Description
31:20	RO	0x000	reserved
19:0	RW	0x00000	sw_vlw_id0 Virtual line width of even frame for ID0 path(must be aligned to double word).

**VICAP MIPI2 FRAME0 ADDR Y ID1**

Address: Operational Base + offset (0x0338)

Bit	Attr	Reset Value	Description
31:0	RW	0x00000000	sw_frame0_addr_y_id1 First address of even frame for ID1 Y/RAW/RGB path(must be aligned to double word).

**VICAP MIPI2 FRAME1 ADDR Y ID1**

Address: Operational Base + offset (0x033C)

Bit	Attr	Reset Value	Description
31:0	RW	0x00000000	sw_frame1_addr_y_id1 First address of odd frame for ID1 Y/RAW/RGB path(must be aligned to double word).

**VICAP MIPI2 FRAME0 ADDR UV ID1**

Address: Operational Base + offset (0x0340)

Bit	Attr	Reset Value	Description
31:0	RW	0x00000000	sw_frame0_addr_uv_id1 First address of even frame for ID1 UV path(must be aligned to double word).

**VICAP MIPI2 FRAME1 ADDR UV ID1**

Address: Operational Base + offset (0x0344)

Bit	Attr	Reset Value	Description
31:0	RW	0x00000000	sw_frame1_addr_uv_id1 First address of odd frame for ID1 UV path(must be aligned to double word).

**VICAP MIPI2 VLW ID1**

Address: Operational Base + offset (0x0348)

Bit	Attr	Reset Value	Description
31:20	RO	0x000	reserved
19:0	RW	0x00000	sw_vlw_id1 Virtual line width of even frame for ID1 Y/RAW/RGB path(must be aligned to double word).

**VICAP MIPI2 FRAME0 ADDR Y ID2**

Address: Operational Base + offset (0x034C)

Bit	Attr	Reset Value	Description
31:0	RW	0x00000000	sw_frame0_addr_y_id2 First address of even frame for ID2 Y/RAW/RGB path(must be aligned to double word).

**VICAP MIPI2 FRAME1 ADDR Y ID2**

Address: Operational Base + offset (0x0350)

Bit	Attr	Reset Value	Description
31:0	RW	0x00000000	sw_frame1_addr_y_id2 First address of odd frame for ID2 Y/RAW/RGB path(must be aligned to double word).

**VICAP MIPI2 FRAME0 ADDR UV ID2**

Address: Operational Base + offset (0x0354)

Bit	Attr	Reset Value	Description
31:0	RW	0x00000000	sw_frame0_addr_uv_id2 First address of even frame for ID2 UV path(must be aligned to double word).

**VICAP MIPI2 FRAME1 ADDR UV ID2**

Address: Operational Base + offset (0x0358)

Bit	Attr	Reset Value	Description
31:0	RW	0x00000000	sw_frame1_addr_uv_id0 First address of odd frame for ID2 UV path(must be aligned to double word).

**VICAP MIPI2 VLW ID2**

Address: Operational Base + offset (0x035C)

Bit	Attr	Reset Value	Description
31:20	RO	0x000	reserved
19:0	RW	0x00000	sw_vlw_id2 Virtual line width of even frame for ID2 path(must be aligned to double word).

**VICAP MIPI2 FRAME0 ADDR Y ID3**

Address: Operational Base + offset (0x0360)

Bit	Attr	Reset Value	Description
31:0	RW	0x00000000	sw_frame0_addr_y_id3 First address of even frame for ID3 Y/RAW/RGB path(must be aligned to double word).

**VICAP MIPI2 FRAME1 ADDR Y ID3**

Address: Operational Base + offset (0x0364)

Bit	Attr	Reset Value	Description
31:0	RW	0x00000000	sw_frame1_addr_y_id3 First address of odd frame for ID3 Y/RAW/RGB path(must be aligned to double word).

**VICAP MIPI2 FRAME0 ADDR UV ID3**

Address: Operational Base + offset (0x0368)

Bit	Attr	Reset Value	Description
31:0	RW	0x00000000	sw_frame0_addr_uv_id3 First address of even frame for ID3 UV path(must be aligned to double word).

**VICAP MIPI2 FRAME1 ADDR UV ID3**

Address: Operational Base + offset (0x036C)

Bit	Attr	Reset Value	Description
31:0	RW	0x00000000	sw_frame1_addr_uv_id3 First address of odd frame for ID3 UV path(must be aligned to double word).

**VICAP MIPI2 VLW ID3**

Address: Operational Base + offset (0x0370)

Bit	Attr	Reset Value	Description
31:20	RO	0x000	reserved
19:0	RW	0x00000	sw_vlw_id3 Virtual line width of even frame for ID3 path(must be aligned to double word).

**VICAP MIPI2 INTEN**

Address: Operational Base + offset (0x0374)

Bit	Attr	Reset Value	Description
31:28	RO	0x0	reserved
27	RW	0x0	size_err_id3_inten 1'b0: Disable 1'b1: Enable
26	RW	0x0	size_err_id2_inten 1'b0: Disable 1'b1: Enable
25	RW	0x0	size_err_id1_inten 1'b0: Disable 1'b1: Enable
24	RW	0x0	size_err_id0_inten 1'b0: Disable 1'b1: Enable
23	RW	0x0	line_id3_inten 1'b0: Disable 1'b1: Enable
22	RW	0x0	line_id2_inten 1'b0: Disable 1'b1: Enable
21	RW	0x0	line_id1_inten 1'b0: Disable 1'b1: Enable

Bit	Attr	Reset Value	Description
20	RW	0x0	line_id0_inten 1'b0: Disable 1'b1: Enable
19	RW	0x0	csi2rx_fifo_overflow_inten 1'b0: Disable 1'b1: Enable
18	RW	0x0	bandwidth_lack_inten 1'b0: Disable 1'b1: Enable
17	RW	0x0	dma_uv_fifo_overflow_inten Enable the interrupt of dma fifo overflow of MIPI uv path or LVDS id1 path. 1'b0: Disable 1'b1: Enable
16	RW	0x0	dma_y_fifo_overflow_inten Enable the interrupt of dma fifo overflow of MIPI y path or LVDS id0 path. 1'b0: Disable 1'b1: Enable
15	RW	0x0	frame1_dma_end_id3_inten Enable the interrupt of end of odd frame for ID1. 1'b0: Disable 1'b1: Enable
14	RW	0x0	frame0_dma_end_id3_inten Enable the interrupt of end of even frame for ID3. 1'b0: Disable 1'b1: Enable
13	RW	0x0	frame1_dma_end_id2_inten Enable the interrupt of end of odd frame for ID1. 1'b0: Disable 1'b1: Enable
12	RW	0x0	frame0_dma_end_id2_inten Enable the interrupt of end of even frame for ID2. 1'b0: Disable 1'b1: Enable
11	RW	0x0	frame1_dma_end_id1_inten Enable the interrupt of end of odd frame for ID1. 1'b0: Disable 1'b1: Enable
10	RW	0x0	frame0_dma_end_id1_inten Enable the interrupt of end of even frame for ID1. 1'b0: Disable 1'b1: Enable

Bit	Attr	Reset Value	Description
9	RW	0x0	frame1_dma_end_id0_inten Enable the interrupt of end of odd frame for ID0. 1'b0: Disable 1'b1: Enable
8	RW	0x0	frame0_dma_end_id0_inten Enable the interrupt of end of even frame for ID0. 1'b0: Disable 1'b1: Enable
7	RW	0x0	frame1_start_id3_inten Enable the interrupt of start of odd frame for ID3. 1'b0: Disable 1'b1: Enable
6	RW	0x0	frame0_start_id3_inten Enable the interrupt of start of even frame for ID3. 1'b0: Disable 1'b1: Enable
5	RW	0x0	frame1_start_id2_inten Enable the interrupt of start of odd frame for ID2. 1'b0: Disable 1'b1: Enable
4	RW	0x0	frame0_start_id2_inten Enable the interrupt of start of even frame for ID2. 1'b0: Disable 1'b1: Enable
3	RW	0x0	frame1_start_id1_inten Enable the interrupt of start of odd frame for ID1. 1'b0: Disable 1'b1: Enable
2	RW	0x0	frame0_start_id1_inten Enable the interrupt of start of even frame for ID1. 1'b0: Disable 1'b1: Enable
1	RW	0x0	frame1_start_id0_inten Enable the interrupt of start of odd frame for ID0. 1'b0: Disable 1'b1: Enable
0	RW	0x0	frame0_start_id0_inten Enable the interrupt of start of even frame for ID0. 1'b0: Disable 1'b1: Enable

**VICAP\_MIPI2\_INTSTAT**

Address: Operational Base + offset (0x0378)

Bit	Attr	Reset Value	Description
31:28	RO	0x0	reserved

Bit	Attr	Reset Value	Description
27	W1 C	0x0	size_err_id3_intst 1'b0: No interrupt 1'b1: Interrupt
26	W1 C	0x0	size_err_id2_intst 1'b0: No interrupt 1'b1: Interrupt
25	W1 C	0x0	size_err_id1_intst 1'b0: No interrupt 1'b1: Interrupt
24	W1 C	0x0	size_err_id0_intst 1'b0: No interrupt 1'b1: Interrupt
23	W1 C	0x0	line_id3_intst 1'b0: No interrupt 1'b1: Interrupt
22	W1 C	0x0	line_id2_intst 1'b0: No interrupt 1'b1: Interrupt
21	W1 C	0x0	line_id1_intst 1'b0: No interrupt 1'b1: Interrupt
20	W1 C	0x0	line_id0_intst 1'b0: No interrupt 1'b1: Interrupt
19	W1 C	0x0	csi2rx_fifo_overflow_intst 1'b0: No interrupt 1'b1: Interrupt
18	W1 C	0x0	bandwidth_lack_intst 1'b0: No interrupt 1'b1: Interrupt
17	W1 C	0x0	dma_uv_fifo_overflow_intst 1'b0: No interrupt 1'b1: Interrupt
16	W1 C	0x0	dma_y_fifo_overflow_intst 1'b0: No interrupt 1'b1: Interrupt
15	W1 C	0x0	frame1_dma_end_id3_intst 1'b0: No interrupt 1'b1: Interrupt
14	W1 C	0x0	frame0_dma_end_id3_intst 1'b0: No interrupt 1'b1: Interrupt
13	W1 C	0x0	frame1_dma_end_id2_intst 1'b0: No interrupt 1'b1: Interrupt



Bit	Attr	Reset Value	Description
12	W1 C	0x0	frame0_dma_end_id2_intst 1'b0: No interrupt 1'b1: Interrupt
11	W1 C	0x0	frame1_dma_end_id1_intst 1'b0: No interrupt 1'b1: Interrupt
10	W1 C	0x0	frame0_dma_end_id1_intst 1'b0: No interrupt 1'b1: Interrupt
9	W1 C	0x0	frame1_dma_end_id0_intst 1'b0: No interrupt 1'b1: Interrupt
8	W1 C	0x0	frame0_dma_end_id0_intst 1'b0: No interrupt 1'b1: Interrupt
7	W1 C	0x0	frame1_start_id3_intst 1'b0: No interrupt 1'b1: Interrupt
6	W1 C	0x0	frame0_start_id3_intst 1'b0: No interrupt 1'b1: Interrupt
5	W1 C	0x0	frame1_start_id2_intst 1'b0: No interrupt 1'b1: Interrupt
4	W1 C	0x0	frame0_start_id2_intst 1'b0: No interrupt 1'b1: Interrupt
3	W1 C	0x0	frame1_start_id1_intst 1'b0: No interrupt 1'b1: Interrupt
2	W1 C	0x0	frame0_start_id1_intst 1'b0: No interrupt 1'b1: Interrupt
1	W1 C	0x0	frame1_start_id0_intst 1'b0: No interrupt 1'b1: Interrupt
0	W1 C	0x0	frame0_start_id0_intst 1'b0: No interrupt 1'b1: Interrupt

**VICAP MIPI2 LINE INT NUM ID0 1**

Address: Operational Base + offset (0x037C)

Bit	Attr	Reset Value	Description
31	RW	0x0	line_int_mode_id1 1'b0: One-time mode 1'b1: Circular mode
30	RO	0x0	reserved
29:16	RW	0x0040	line_int_num_id1 For one-time mode, if line_int_num_id1=100, then channel 1 receive 100th line, the line_id1_intst will be 1. For circular mode, if line_int_num_id1=100, then channel 1 receive 100th line200th line300th line.....the line_id1_intst will be 1.
15	RW	0x0	line_int_mode_id0 1'b0: One-time mode 1'b1: Circular mode
14	RO	0x0	reserved
13:0	RW	0x0040	line_int_num_id0 For one-time mode, if line_int_num_id0=100, then channel 0 receive 100th line, the line_id0_intst will be 1. For circular mode, if line_int_num_id0=100, then channel 0 receive 100th line200th line300th line.....the line_id0_intst will be 1.

**VICAP MIPI2 LINE INT NUM ID2 3**

Address: Operational Base + offset (0x0380)

Bit	Attr	Reset Value	Description
31	RW	0x0	line_int_mode_id3 1'b0: One-time mode 1'b1: Circular mode
30	RO	0x0	reserved
29:16	RW	0x0040	line_int_num_id3 For one-time mode, if line_int_num_id3=100, then channel 3 receive 100th line, the line_id3_intst will be 1. For circular mode, if line_int_num_id3=100, then channel 3 receive 100th line200th line300th line.....the line_id3_intst will be 1.
15	RW	0x0	line_int_mode_id2 1'b0: One-time mode 1'b1: Circular mode
14	RO	0x0	reserved
13:0	RW	0x0040	line_int_num_id2 For one-time mode, if line_int_num_id2=100, then channel 2 receive 100th line, the line_id2_intst will be 1. For circular mode, if line_int_num_id2=100, then channel 2 receive 100th line200th line300th line.....the line_id2_intst will be 1.

**VICAP MIPI2 LINE CNT ID0 1**

Address: Operational Base + offset (0x0384)

Bit	Attr	Reset Value	Description
31:30	RO	0x0	reserved
29:16	RO	0x0000	ro_line_cnt_id1 Current line count for id1.
15:14	RO	0x0	reserved
13:0	RO	0x0000	ro_line_cnt_id0 Current line count for id0.

**VICAP MIPI2 LINE CNT ID2 3**

Address: Operational Base + offset (0x0388)

Bit	Attr	Reset Value	Description
31:30	RO	0x0	reserved
29:16	RO	0x0000	ro_line_cnt_id3 Current line count for id3.
15:14	RO	0x0	reserved
13:0	RO	0x0000	ro_line_cnt_id2 Current line count for id2.

**VICAP MIPI2 ID0 CROP START**

Address: Operational Base + offset (0x038C)

Bit	Attr	Reset Value	Description
31:30	RO	0x0	reserved
29:16	RW	0x0000	sw_start_y_id0 The start y coordinate for id0.
15:14	RO	0x0	reserved
13:0	RW	0x0000	sw_start_x_id0 The start x coordinate for id0, if sw_wrddr_type is rgb888, then the start x is measured in byte. The start x value must be 4 aligned.

**VICAP MIPI2 ID1 CROP START**

Address: Operational Base + offset (0x0390)

Bit	Attr	Reset Value	Description
31:30	RO	0x0	reserved
29:16	RW	0x0000	sw_start_y_id1 The start y coordinate for id1.
15:14	RO	0x0	reserved
13:0	RW	0x0000	sw_start_x_id1 The start x coordinate for id1, if sw_wrddr_type is rgb888, then the start x is measured in byte. The start x value must be 4 aligned.

**VICAP MIPI2 ID2 CROP START**

Address: Operational Base + offset (0x0394)

Bit	Attr	Reset Value	Description
31:30	RO	0x0	reserved
29:16	RW	0x0000	sw_start_y_id2 The start y coordinate for id2.
15:14	RO	0x0	reserved
13:0	RW	0x0000	sw_start_x_id2 The start x coordinate for id2, if sw_wrddr_type is rgb888, then the start x is measured in byte. The start x value must be 4 aligned.

**VICAP MIPI2 ID3 CROP START**

Address: Operational Base + offset (0x0398)

Bit	Attr	Reset Value	Description
31:30	RO	0x0	reserved
29:16	RW	0x0000	sw_start_y_id3 The start y coordinate for id3.
15:14	RO	0x0	reserved
13:0	RW	0x0000	sw_start_x_id3 The start x coordinate for id3, if sw_wrddr_type is rgb888, then the start x is measured in byte. The start x value must be 4 aligned.

**VICAP MIPI2 FRAME NUM VC0**

Address: Operational Base + offset (0x039C)

Bit	Attr	Reset Value	Description
31:16	RO	0x0000	ro_frame_num_end_vc0 The frame number of frame end of virtual channel 0.
15:0	RO	0x0000	ro_frame_num_start_vc0 The frame number of frame start of virtual channel 0.

**VICAP MIPI2 FRAME NUM VC1**

Address: Operational Base + offset (0x03A0)

Bit	Attr	Reset Value	Description
31:16	RO	0x0000	ro_frame_num_end_vc1 The frame number of frame end of virtual channel 1.
15:0	RO	0x0000	ro_frame_num_start_vc1 The frame number of frame start of virtual channel 1.

**VICAP MIPI2 FRAME NUM VC2**

Address: Operational Base + offset (0x03A4)

Bit	Attr	Reset Value	Description
31:16	RO	0x0000	ro_frame_num_end_vc2 The frame number of frame end of virtual channel 2.
15:0	RO	0x0000	ro_frame_num_start_vc2 The frame number of frame start of virtual channel 2.

**VICAP MIPI2 FRAME NUM VC3**

Address: Operational Base + offset (0x03A8)

Bit	Attr	Reset Value	Description
31:16	RO	0x0000	ro_frame_num_end_vc3 The frame number of frame end of virtual channel 3.
15:0	RO	0x0000	ro_frame_num_start_vc3 The frame number of frame start of virtual channel 3.

**VICAP MIPI2 ID0 EFFECT CODE**

Address: Operational Base + offset (0x03AC)

Bit	Attr	Reset Value	Description
31:30	RO	0x0	reserved
29:16	RW	0x0000	sw_sony_effect_code1_id0 Effect code of id0 for sony sensor.
15:14	RO	0x0	reserved
13:0	RW	0x0000	sw_sony_effect_code0_id0 Effect code of id0 for sony sensor.

**VICAP MIPI2 ID1 EFFECT CODE**

Address: Operational Base + offset (0x03B0)

Bit	Attr	Reset Value	Description
31:30	RO	0x0	reserved
29:16	RW	0x0000	sw_sony_effect_code1_id1 Effect code of id1 for sony sensor.
15:14	RO	0x0	reserved
13:0	RW	0x0000	sw_sony_effect_code0_id1 Effect code of id1 for sony sensor.

**VICAP MIPI2 ID2 EFFECT CODE**

Address: Operational Base + offset (0x03B4)

Bit	Attr	Reset Value	Description
31:30	RO	0x0	reserved
29:16	RW	0x0000	sw_sony_effect_code1_id2 Effect code of id2 for sony sensor.
15:14	RO	0x0	reserved
13:0	RW	0x0000	sw_sony_effect_code0_id2 Effect code of id2 for sony sensor.

**VICAP MIPI2 ID3 EFFECT CODE**

Address: Operational Base + offset (0x03B8)

Bit	Attr	Reset Value	Description
31:30	RO	0x0	reserved
29:16	RW	0x0000	sw_sony_effect_code1_id3 Effect code of id3 for sony sensor.
15:14	RO	0x0	reserved

Bit	Attr	Reset Value	Description
13:0	RW	0x0000	sw_sony_effect_code0_id3 Effect code of id3 for sony sensor.

**VICAP MIPI2 ON PAD VALUE**

Address: Operational Base + offset (0x03BC)

Bit	Attr	Reset Value	Description
31:14	RO	0x00000	reserved
13:0	RW	0x0000	sw_on_pad_value Padding value for ON sensor.

**VICAP MIPI2 SIZE NUM ID0**

Address: Operational Base + offset (0x03C0)

Bit	Attr	Reset Value	Description
31:30	RO	0x0	reserved
29:16	RO	0x0000	ro_line_num_id0 The id0 line number in one frame.
15:14	RO	0x0	reserved
13:0	RO	0x0000	ro_pix_num_id0 The id0 pixel number in one line.

**VICAP MIPI2 SIZE NUM ID1**

Address: Operational Base + offset (0x03C4)

Bit	Attr	Reset Value	Description
31:30	RO	0x0	reserved
29:16	RO	0x0000	ro_line_num_id1 The id1 line number in one frame.
15:14	RO	0x0	reserved
13:0	RO	0x0000	ro_pix_num_id1 The id1 pixel number in one line.

**VICAP MIPI2 SIZE NUM ID2**

Address: Operational Base + offset (0x03C8)

Bit	Attr	Reset Value	Description
31:30	RO	0x0	reserved
29:16	RO	0x0000	ro_line_num_id2 The id2 line number in one frame.
15:14	RO	0x0	reserved
13:0	RO	0x0000	ro_pix_num_id2 The id2 pixel number in one line.

**VICAP MIPI2 SIZE NUM ID3**

Address: Operational Base + offset (0x03CC)

Bit	Attr	Reset Value	Description
31:30	RO	0x0	reserved

Bit	Attr	Reset Value	Description
29:16	RO	0x0000	ro_line_num_id3 The id3 line number in one frame.
15:14	RO	0x0	reserved
13:0	RO	0x0000	ro_pix_num_id3 The id3 pixel number in one line.

**VICAP\_MIPI3\_ID0\_CTRL0**

Address: Operational Base + offset (0x0400)

Bit	Attr	Reset Value	Description
31:30	RW	0x0	sw_vc_hdr_id_main_id0 The id that is the first coming. Note: This register is available when sw_hdr_mode_idx=2'b00 and sw_vc_hdr_protect=1'b1.
29	RW	0x0	sw_vc_hdr_protect_id0 1'b0: Not ensure hdr long exposure frame is captured firstly; 1'b1: Ensure hdr long exposure frame is captured firstly. Note: This register is available when sw_hdr_mode_idx=2'b00. And sw_vc_hdr_id_main must be configured correctly(the first coming id).
28	RW	0x0	sw_dma_en_id0 Enable dma transport id0. 1'b0: Disable 1'b1: Enable
27	RW	0x0	sw_align_id0 1'b0: Low alignment(raw10/12 will in [9:0]/[11:0]) 1'b1: High alignment(raw10/12 will in [15:6]/[15:4]) Only be used when non-compacted mode.
26	RW	0x0	sw_command_mode_en_id0 Select command mode for id0. 1'b0: Not command mode 1'b1: Command mode
25:24	RW	0x0	sw_on_hdr_line_cnt_id0 If sw_mipi0_on_hdr_mode_id0=1(2), the line count value will circulate between 0~1(2). And if sw_mipi0_on_hdr_line_cnt_id0=1, id0 channel will capture the line which line count value equal to 1.
23:22	RW	0x0	sw_on_hdr_mode_id0 2'b00: Normal mode(no HDR) 2'b01: 2 frames HDR 2'b10: 3 frames HDR 2'b11: Reserved

Bit	Attr	Reset Value	Description
21:20	RW	0x0	sw_hdr_mode_id0 2'b00: HDR distinguished by virtual channel 2'b01: HDR distinguished by line number(ON HDR mode) 2'b10: HDR distinguished by first 4pixel(SONY HDR mode) 2'b11: Reserved
19:18	RW	0x0	sw_yuyv_out_order_id0 2'b00: UYVY(CSI-2 standard) 2'b01: VYUY 2'b10: YUYV 2'b11: YVYU
17:16	RW	0x0	sw_yuyv_in_order_id0 2'b00: UYVY(CSI-2 standard) 2'b01: VYUY 2'b10: YUYV 2'b11: YVYU
15:10	RW	0x00	sw_dt_id0 Data type for id0.
9:8	RW	0x0	sw_vc_id0 Virtual channel for id0.
7:5	RW	0x0	sw_wrddr_type_id0 The write ddr type of id0. 3'b000: Raw-compact 3'b001: Raw-uncompact 3'b010: YUV packet 3'b011: YUV 400 3'b100: YUV 422sp 3'b101: YUV 420sp Others: Reserved
4	RW	0x0	sw_crop_en_id0 Enable to crop for id0. 1'b0: Disable 1'b1: Enable
3:1	RW	0x0	sw_parse_type_id0 The parse type of id0. 3'b000: For raw8/rgb888 3'b001: For raw10 3'b010: For raw12 3'b011: For raw14(data will be clipped to 12bit) 3'b100: For yuv422 8bit Others: Reserved
0	RW	0x0	sw_cap_en_id0 Enable to capture id0. 1'b0: Disable 1'b1: Enable



**VICAP MIPI3 ID0 CTRL1**

Address: Operational Base + offset (0x0404)

Bit	Attr	Reset Value	Description
31:30	RO	0x0	reserved
29:16	RW	0x0000	sw_height_id0 Height for id0.
15:14	RO	0x0	reserved
13:0	RW	0x0000	sw_width_id0 Width for id0. If sw_wrddr_type is rgb888, then the width is equal to the number of bytes(not pixel). If sw_crop_en_id0 is enable the width value must be 4 aligned.

**VICAP MIPI3 ID1 CTRL0**

Address: Operational Base + offset (0x0408)

Bit	Attr	Reset Value	Description
31:30	RW	0x0	sw_vc_hdr_id_main_id1 The id that is the first coming. Note: This register is available when sw_hdr_mode_idx=2'b00 and sw_vc_hdr_protect=1'b1.
29	RW	0x0	sw_vc_hdr_protect_id1 1'b0: Not ensure hdr long exposure frame is captured firstly; 1'b1: Ensure hdr long exposure frame is captured firstly. Note: This register is available when sw_hdr_mode_idx=2'b00. And sw_vc_hdr_id_main must be configured correctly(the first coming id).
28	RW	0x0	sw_dma_en_id1 Enable dma transport id1. 1'b0: Disable 1'b1: Enable
27	RW	0x0	sw_align_id1 1'b0: Low alignment(raw10/12 will in [9:0]/[11:0]) 1'b1: High alignment(raw10/12 will in [15:6]/[15:4]) Only be used when non-compacted mode.
26	RW	0x0	sw_command_mode_en_id1 Select command mode for id1. 1'b0: Not command mode 1'b1: Command mode
25:24	RW	0x0	sw_on_hdr_line_cnt_id1 If sw_mipi0_on_hdr_mode_id1=1(2), the line count value will circulate between 0~1(2). And if sw_mipi0_on_hdr_line_cnt_id1=1, id1 channel will capture the line which line count value equal to 1.

Bit	Attr	Reset Value	Description
23:22	RW	0x0	sw_on_hdr_mode_id1 2'b00: Normal mode(no HDR) 2'b01: 2 frames HDR 2'b10: 3 frames HDR 2'b11: Reserved
21:20	RW	0x0	sw_hdr_mode_id1 2'b00: HDR distinguished by virtual channel 2'b01: HDR distinguished by line number(ON HDR mode) 2'b10: HDR distinguished by first 4pixel(SONY HDR mode) 2'b11: Reserved
19:18	RW	0x0	sw_yuyv_out_order_id1 2'b00: UYVY(CSI-2 standard) 2'b01: VYUY 2'b10: YUYV 2'b11: YVYU
17:16	RW	0x0	sw_yuyv_in_order_id1 2'b00: UYVY(CSI-2 standard) 2'b01: VYUY 2'b10: YUYV 2'b11: YVYU
15:10	RW	0x00	sw_dt_id1 Data type for id1.
9:8	RW	0x0	sw_vc_id1 Virtual channel for id1.
7:5	RW	0x0	sw_wrddr_type_id1 The write ddr type of id1. 3'b000: Raw-compact 3'b001: Raw-uncompact 3'b010: YUV packet 3'b011: YUV 400 3'b100: YUV 422sp 3'b101: YUV 420sp Others: Reserved
4	RW	0x0	sw_crop_en_id1 Enable to crop for id1. 1'b0: Disable 1'b1: Enable
3:1	RW	0x0	sw_parse_type_id1 The parse type of id1. 3'b000: For raw8/rgb888 3'b001: For raw10 3'b010: For raw12 3'b011: For raw14(data will be clipped to 12bit) 3'b100: For yuv422 8bit Others: Reserved

Bit	Attr	Reset Value	Description
0	RW	0x0	sw_cap_en_id1 Enable to capture id1. 1'b0: Disable 1'b1: Enable

**VICAP MIPI3 ID1 CTRL1**

Address: Operational Base + offset (0x040C)

Bit	Attr	Reset Value	Description
31:30	RO	0x0	reserved
29:16	RW	0x0000	sw_height_id1 Height for id1.
15:14	RO	0x0	reserved
13:0	RW	0x0000	sw_width_id1 Width for id1. If sw_wrddr_type is rgb888, then the width is equal to the number of bytes(not pixel). If sw_crop_en_id1 is enable the width value must be 4 aligned.

**VICAP MIPI3 ID2 CTRL0**

Address: Operational Base + offset (0x0410)

Bit	Attr	Reset Value	Description
31:30	RW	0x0	sw_vc_hdr_id_main_id2 The id that is the first coming. Note: This register is available when sw_hdr_mode_idx=2'b00 and sw_vc_hdr_protect=1'b1.
29	RW	0x0	sw_vc_hdr_protect_id2 1'b0: Not ensure hdr long exposure frame is captured firstly; 1'b1: Ensure hdr long exposure frame is captured firstly. Note: This register is available when sw_hdr_mode_idx=2'b00. And sw_vc_hdr_id_main must be configured correctly(the first coming id).
28	RW	0x0	sw_dma_en_id2 Enable dma transport id2. 1'b0: Disable 1'b1: Enable
27	RW	0x0	sw_align_id2 1'b0: Low alignment(raw10/12 will in [9:0]/[11:0]) 1'b1: High alignment(raw10/12 will in [15:6]/[15:4]) Only be used when non-compacted mode.
26	RW	0x0	sw_command_mode_en_id2 Select command mode for id2. 1'b0: Not command mode 1'b1: Command mode

Bit	Attr	Reset Value	Description
25:24	RW	0x0	sw_on_hdr_line_cnt_id2 If sw_mipi0_on_hdr_mode_id2=1(2), the line count value will circulate between 0~1(2). And if sw_mipi0_on_hdr_line_cnt_id2=1, id2 channel will capture the line which line count value equal to 1.
23:22	RW	0x0	sw_on_hdr_mode_id2 2'b00: Normal mode(no HDR) 2'b01: 2 frames HDR 2'b10: 3 frames HDR 2'b11: Reserved
21:20	RW	0x0	sw_hdr_mode_id2 2'b00: HDR distinguished by virtual channel 2'b01: HDR distinguished by line number(ON HDR mode) 2'b10: HDR distinguished by first 4pixel(SONY HDR mode) 2'b11: Reserved
19:18	RW	0x0	sw_yuyv_out_order_id2 2'b00: UYVY(CSI-2 standard) 2'b01: VYUY 2'b10: YUYV 2'b11: YVYU
17:16	RW	0x0	sw_yuyv_in_order_id2 2'b00: UYVY(CSI-2 standard) 2'b01: VYUY 2'b10: YUYV 2'b11: YVYU
15:10	RW	0x00	sw_dt_id2 Data type for id2.
9:8	RW	0x0	sw_vc_id2 Virtual channel for id2.
7:5	RW	0x0	sw_wrddr_type_id2 The write ddr type of id2. 3'b000: Raw-compact 3'b001: Raw-uncompact 3'b010: YUV packet 3'b011: YUV 400 3'b100: YUV 422sp 3'b101: YUV 420sp Others: Reserved
4	RW	0x0	sw_crop_en_id2 Enable to crop for id2. 1'b0: Disable 1'b1: Enable

Bit	Attr	Reset Value	Description
3:1	RW	0x0	sw_parse_type_id2 The parse type of id2. 3'b000: For raw8/rgb888 3'b001: For raw10 3'b010: For raw12 3'b011: For raw14(data will be clipped to 12bit) 3'b100: For yuv422 8bit Others: Reserved
0	RW	0x0	sw_cap_en_id2 Enable to capture id2. 1'b0: Disable 1'b1: Enable

**VICAP\_MIPI3\_ID2\_CTRL1**

Address: Operational Base + offset (0x0414)

Bit	Attr	Reset Value	Description
31:30	RO	0x0	reserved
29:16	RW	0x0000	sw_height_id2 Height for id2.
15:14	RO	0x0	reserved
13:0	RW	0x0000	sw_width_id2 Width for id2. If sw_wrddr_type is rgb888, then the width is equal to the number of bytes(not pixel). If sw_crop_en_id2 is enable the width value must be 4 aligned.

**VICAP\_MIPI3\_ID3\_CTRL0**

Address: Operational Base + offset (0x0418)

Bit	Attr	Reset Value	Description
31:30	RW	0x0	sw_vc_hdr_id_main_id3 The id that is the first coming. Note: This register is available when sw_hdr_mode_idx=2'b00 and sw_vc_hdr_protect=1'b1.
29	RW	0x0	sw_vc_hdr_protect_id3 1'b0: Not ensure hdr long exposure frame is captured firstly; 1'b1: Ensure hdr long exposure frame is captured firstly. Note: This register is available when sw_hdr_mode_idx=2'b00. And sw_vc_hdr_id_main must be configured correctly(the first coming id).
28	RW	0x0	sw_dma_en_id3 Enable dma transport id3. 1'b0: Disable 1'b1: Enable

Bit	Attr	Reset Value	Description
27	RW	0x0	sw_align_id3 1'b0: Low alignment(raw10/12 will in [9:0]/[11:0]) 1'b1: High alignment(raw10/12 will in [15:6]/[15:4]) Only be used when non-compacted mode.
26	RW	0x0	sw_command_mode_en_id3 Select command mode for id3. 1'b0: Not command mode 1'b1: Command mode
25:24	RW	0x0	sw_on_hdr_line_cnt_id3 If sw_mipi0_on_hdr_mode_id3=1(2), the line count value will circulate between 0~1(2). And if sw_mipi0_on_hdr_line_cnt_id3=1, id3 channel will capture the line which line count value equal to 1.
23:22	RW	0x0	sw_on_hdr_mode_id3 2'b00: Normal mode(no HDR) 2'b01: 2 frames HDR 2'b10: 3 frames HDR 2'b11: Reserved
21:20	RW	0x0	sw_hdr_mode_id3 2'b00: HDR distinguished by virtual channel 2'b01: HDR distinguished by line number(ON HDR mode) 2'b10: HDR distinguished by first 4pixel(SONY HDR mode) 2'b11: Reserved
19:18	RW	0x0	sw_yuyv_out_order_id3 2'b00: UYVY(CSI-2 standard) 2'b01: VYUY 2'b10: YUYV 2'b11: YVYU
17:16	RW	0x0	sw_yuyv_in_order_id3 2'b00: UYVY(CSI-2 standard) 2'b01: VYUY 2'b10: YUYV 2'b11: YVYU
15:10	RW	0x00	sw_dt_id3 Data type for id3.
9:8	RW	0x0	sw_vc_id3 Virtual channel for id3.

Bit	Attr	Reset Value	Description
7:5	RW	0x0	sw_wrddr_type_id3 The write ddr type of id3. 3'b000: Raw-compact 3'b001: Raw-uncompact 3'b010: YUV packet 3'b011: YUV 400 3'b100: YUV 422sp 3'b101: YUV 420sp Others: Reserved
4	RW	0x0	sw_crop_en_id3 Enable to crop for id3. 1'b0: Disable 1'b1: Enable
3:1	RW	0x0	sw_parse_type_id3 The parse type of id3. 3'b000: For raw8/rgb888 3'b001: For raw10 3'b010: For raw12 3'b011: For raw14(data will be clipped to 12bit) 3'b100: For yuv422 8bit Others: Reserved
0	RW	0x0	sw_cap_en_id3 Enable to capture id3. 1'b0: Disable 1'b1: Enable

**VICAP MIPI3 ID3 CTRL1**

Address: Operational Base + offset (0x041C)

Bit	Attr	Reset Value	Description
31:30	RO	0x0	reserved
29:16	RW	0x0000	sw_height_id3 Height for id3.
15:14	RO	0x0	reserved
13:0	RW	0x0000	sw_width_id3 Width for id3. If sw_wrddr_type is rgb888, then the width is equal to the number of bytes(not pixel). If sw_crop_en_id3 is enable the width value must be 4 aligned.

**VICAP MIPI3 CTRL**

Address: Operational Base + offset (0x0420)

Bit	Attr	Reset Value	Description
31:20	RO	0x000	reserved

Bit	Attr	Reset Value	Description
19:18	RW	0x0	sw_soft_rst_mode 2'b00: Soft reset and protect toisp path frame integrity; 2'b01: Soft reset and protect toisp path frame integrity and pull down sw_cap_en automatically; 2'b10: Soft reset directly; 2'b11: Reserved.
17	RW	0x0	sw_soft_rst 1'b0: Not reset 1'b1: Reset the VICAP MIPI3 path(except MMU/AXI MASTER/REG FILE)
16	RW	0x0	sw_dma_rst Write 1 will reset VICAP MIPI3 path dma. When this bit change to 0,dma is reseted completely.
15:13	RW	0x0	sw_press_value Press value.
12	RW	0x0	sw_press_en 1'b0: Disable press 1'b1: Enable press
11:8	RO	0x0	reserved
7:5	RW	0x0	sw_hurry_value Hurry value.
4	RW	0x0	sw_hurry_en 1'b0: Disable hurry 1'b1: Enable hurry
3	RO	0x0	reserved
2:1	RW	0x0	sw_water_line 2'b00: 75% 2'b01: 50% 2'b10: 25% 2'b11: 0%
0	RW	0x0	sw_cap_en 1'b0: Disable capture all id 1'b1: Enable capture all id.

**VICAP MIPI3 FRAME0 ADDR Y ID0**

Address: Operational Base + offset (0x0424)

Bit	Attr	Reset Value	Description
31:0	RW	0x00000000	sw_frame0_addr_y_id0 First address of even frame for ID0 Y/RAW/RGB path(must be aligned to double word).

**VICAP MIPI3 FRAME1 ADDR Y ID0**

Address: Operational Base + offset (0x0428)



Bit	Attr	Reset Value	Description
31:0	RW	0x00000000	sw_frame1_addr_y_id0 First address of odd frame for ID0 Y path(must be aligned to double word).

**VICAP MIPI3 FRAME0 ADDR UV ID0**

Address: Operational Base + offset (0x042C)

Bit	Attr	Reset Value	Description
31:0	RW	0x00000000	sw_frame0_addr_uv_id0 First address of even frame for ID0 UV path(must be aligned to double word).

**VICAP MIPI3 FRAME1 ADDR UV ID0**

Address: Operational Base + offset (0x0430)

Bit	Attr	Reset Value	Description
31:0	RW	0x00000000	sw_frame1_addr_uv_id0 First address of odd frame for ID0 UV path(must be aligned to double word).

**VICAP MIPI3 VLW ID0**

Address: Operational Base + offset (0x0434)

Bit	Attr	Reset Value	Description
31:20	RO	0x000	reserved
19:0	RW	0x00000	sw_vlw_id0 Virtual line width of even frame for ID0 path(must be aligned to double word).

**VICAP MIPI3 FRAME0 ADDR Y ID1**

Address: Operational Base + offset (0x0438)

Bit	Attr	Reset Value	Description
31:0	RW	0x00000000	sw_frame0_addr_y_id1 First address of even frame for ID1 Y/RAW/RGB path(must be aligned to double word).

**VICAP MIPI3 FRAME1 ADDR Y ID1**

Address: Operational Base + offset (0x043C)

Bit	Attr	Reset Value	Description
31:0	RW	0x00000000	sw_frame1_addr_y_id1 First address of odd frame for ID1 Y/RAW/RGB path(must be aligned to double word).

**VICAP MIPI3 FRAME0 ADDR UV ID1**

Address: Operational Base + offset (0x0440)

Bit	Attr	Reset Value	Description
31:0	RW	0x00000000	sw_frame0_addr_uv_id1 First address of even frame for ID1 UV path(must be aligned to double word).

**VICAP MIPI3 FRAME1 ADDR UV ID1**

Address: Operational Base + offset (0x0444)

Bit	Attr	Reset Value	Description
31:0	RW	0x00000000	sw_frame1_addr_uv_id1 First address of odd frame for ID1 UV path(must be aligned to double word).

**VICAP MIPI3 VLW ID1**

Address: Operational Base + offset (0x0448)

Bit	Attr	Reset Value	Description
31:20	RO	0x000	reserved
19:0	RW	0x00000	sw_vlw_id1 Virtual line width of even frame for ID1 Y/RAW/RGB path(must be aligned to double word).

**VICAP MIPI3 FRAME0 ADDR Y ID2**

Address: Operational Base + offset (0x044C)

Bit	Attr	Reset Value	Description
31:0	RW	0x00000000	sw_frame0_addr_y_id2 First address of even frame for ID2 Y/RAW/RGB path(must be aligned to double word).

**VICAP MIPI3 FRAME1 ADDR Y ID2**

Address: Operational Base + offset (0x0450)

Bit	Attr	Reset Value	Description
31:0	RW	0x00000000	sw_frame1_addr_y_id2 First address of odd frame for ID2 Y/RAW/RGB path(must be aligned to double word).

**VICAP MIPI3 FRAME0 ADDR UV ID2**

Address: Operational Base + offset (0x0454)

Bit	Attr	Reset Value	Description
31:0	RW	0x00000000	sw_frame0_addr_uv_id2 First address of even frame for ID2 UV path(must be aligned to double word).

**VICAP MIPI3 FRAME1 ADDR UV ID2**

Address: Operational Base + offset (0x0458)

Bit	Attr	Reset Value	Description
31:0	RW	0x00000000	sw_frame1_addr_uv_id0 First address of odd frame for ID2 UV path(must be aligned to double word).

**VICAP MIPI3 VLW ID2**

Address: Operational Base + offset (0x045C)

Bit	Attr	Reset Value	Description
31:20	RO	0x000	reserved
19:0	RW	0x00000	sw_vlw_id2 Virtual line width of even frame for ID2 path(must be aligned to double word).

**VICAP MIPI3 FRAME0 ADDR Y ID3**

Address: Operational Base + offset (0x0460)

Bit	Attr	Reset Value	Description
31:0	RW	0x00000000	sw_frame0_addr_y_id3 First address of even frame for ID3 Y/RAW/RGB path(must be aligned to double word).

**VICAP MIPI3 FRAME1 ADDR Y ID3**

Address: Operational Base + offset (0x0464)

Bit	Attr	Reset Value	Description
31:0	RW	0x00000000	sw_frame1_addr_y_id3 First address of odd frame for ID3 Y/RAW/RGB path(must be aligned to double word).

**VICAP MIPI3 FRAME0 ADDR UV ID3**

Address: Operational Base + offset (0x0468)

Bit	Attr	Reset Value	Description
31:0	RW	0x00000000	sw_frame0_addr_uv_id3 First address of even frame for ID3 UV path(must be aligned to double word).

**VICAP MIPI3 FRAME1 ADDR UV ID3**

Address: Operational Base + offset (0x046C)

Bit	Attr	Reset Value	Description
31:0	RW	0x00000000	sw_frame1_addr_uv_id3 First address of odd frame for ID3 UV path(must be aligned to double word).

**VICAP MIPI3 VLW ID3**

Address: Operational Base + offset (0x0470)

Bit	Attr	Reset Value	Description
31:20	RO	0x000	reserved

Bit	Attr	Reset Value	Description
19:0	RW	0x00000	sw_vlw_id3 Virtual line width of even frame for ID3 path(must be aligned to double word).

**VICAP\_MIPI3\_INTEN**

Address: Operational Base + offset (0x0474)

Bit	Attr	Reset Value	Description
31:28	RO	0x0	reserved
27	RW	0x0	size_err_id3_inten 1'b0: Disable 1'b1: Enable
26	RW	0x0	size_err_id2_inten 1'b0: Disable 1'b1: Enable
25	RW	0x0	size_err_id1_inten 1'b0: Disable 1'b1: Enable
24	RW	0x0	size_err_id0_inten 1'b0: Disable 1'b1: Enable
23	RW	0x0	line_id3_inten 1'b0: Disable 1'b1: Enable
22	RW	0x0	line_id2_inten 1'b0: Disable 1'b1: Enable
21	RW	0x0	line_id1_inten 1'b0: Disable 1'b1: Enable
20	RW	0x0	line_id0_inten 1'b0: Disable 1'b1: Enable
19	RW	0x0	csi2rx_fifo_overflow_inten 1'b0: Disable 1'b1: Enable
18	RW	0x0	bandwidth_lack_inten 1'b0: Disable 1'b1: Enable
17	RW	0x0	dma_uv_fifo_overflow_inten Enable the interrupt of dma fifo overflow of MIPI uv path or LVDS id1 path. 1'b0: Disable 1'b1: Enable

Bit	Attr	Reset Value	Description
16	RW	0x0	dma_y_fifo_overflow_inten Enable the interrupt of dma fifo overflow of MIPI y path or LVDS id0 path. 1'b0: Disable 1'b1: Enable
15	RW	0x0	frame1_dma_end_id3_inten Enable the interrupt of end of odd frame for ID1. 1'b0: Disable 1'b1: Enable
14	RW	0x0	frame0_dma_end_id3_inten Enable the interrupt of end of even frame for ID3. 1'b0: Disable 1'b1: Enable
13	RW	0x0	frame1_dma_end_id2_inten Enable the interrupt of end of odd frame for ID1. 1'b0: Disable 1'b1: Enable
12	RW	0x0	frame0_dma_end_id2_inten Enable the interrupt of end of even frame for ID2. 1'b0: Disable 1'b1: Enable
11	RW	0x0	frame1_dma_end_id1_inten Enable the interrupt of end of odd frame for ID1. 1'b0: Disable 1'b1: Enable
10	RW	0x0	frame0_dma_end_id1_inten Enable the interrupt of end of even frame for ID1. 1'b0: Disable 1'b1: Enable
9	RW	0x0	frame1_dma_end_id0_inten Enable the interrupt of end of odd frame for ID0. 1'b0: Disable 1'b1: Enable
8	RW	0x0	frame0_dma_end_id0_inten Enable the interrupt of end of even frame for ID0. 1'b0: Disable 1'b1: Enable
7	RW	0x0	frame1_start_id3_inten Enable the interrupt of start of odd frame for ID3. 1'b0: Disable 1'b1: Enable
6	RW	0x0	frame0_start_id3_inten Enable the interrupt of start of even frame for ID3. 1'b0: Disable 1'b1: Enable

Bit	Attr	Reset Value	Description
5	RW	0x0	frame1_start_id2_inten Enable the interrupt of start of odd frame for ID2. 1'b0: Disable 1'b1: Enable
4	RW	0x0	frame0_start_id2_inten Enable the interrupt of start of even frame for ID2. 1'b0: Disable 1'b1: Enable
3	RW	0x0	frame1_start_id1_inten Enable the interrupt of start of odd frame for ID1. 1'b0: Disable 1'b1: Enable
2	RW	0x0	frame0_start_id1_inten Enable the interrupt of start of even frame for ID1. 1'b0: Disable 1'b1: Enable
1	RW	0x0	frame1_start_id0_inten Enable the interrupt of start of odd frame for ID0. 1'b0: Disable 1'b1: Enable
0	RW	0x0	frame0_start_id0_inten Enable the interrupt of start of even frame for ID0. 1'b0: Disable 1'b1: Enable

**VICAP\_MIPI3\_INTSTAT**

Address: Operational Base + offset (0x0478)

Bit	Attr	Reset Value	Description
31:28	RO	0x0	reserved
27	W1 C	0x0	size_err_id3_intst 1'b0: No interrupt 1'b1: Interrupt
26	W1 C	0x0	size_err_id2_intst 1'b0: No interrupt 1'b1: Interrupt
25	W1 C	0x0	size_err_id1_intst 1'b0: No interrupt 1'b1: Interrupt
24	W1 C	0x0	size_err_id0_intst 1'b0: No interrupt 1'b1: Interrupt
23	W1 C	0x0	line_id3_intst 1'b0: No interrupt 1'b1: Interrupt

Bit	Attr	Reset Value	Description
22	W1 C	0x0	line_id2_intst 1'b0: No interrupt 1'b1: Interrupt
21	W1 C	0x0	line_id1_intst 1'b0: No interrupt 1'b1: Interrupt
20	W1 C	0x0	line_id0_intst 1'b0: No interrupt 1'b1: Interrupt
19	W1 C	0x0	csi2rx_fifo_overflow_intst 1'b0: No interrupt 1'b1: Interrupt
18	W1 C	0x0	bandwidth_lack_intst 1'b0: No interrupt 1'b1: Interrupt
17	W1 C	0x0	dma_uv_fifo_overflow_intst 1'b0: No interrupt 1'b1: Interrupt
16	W1 C	0x0	dma_y_fifo_overflow_intst 1'b0: No interrupt 1'b1: Interrupt
15	W1 C	0x0	frame1_dma_end_id3_intst 1'b0: No interrupt 1'b1: Interrupt
14	W1 C	0x0	frame0_dma_end_id3_intst 1'b0: No interrupt 1'b1: Interrupt
13	W1 C	0x0	frame1_dma_end_id2_intst 1'b0: No interrupt 1'b1: Interrupt
12	W1 C	0x0	frame0_dma_end_id2_intst 1'b0: No interrupt 1'b1: Interrupt
11	W1 C	0x0	frame1_dma_end_id1_intst 1'b0: No interrupt 1'b1: Interrupt
10	W1 C	0x0	frame0_dma_end_id1_intst 1'b0: No interrupt 1'b1: Interrupt
9	W1 C	0x0	frame1_dma_end_id0_intst 1'b0: No interrupt 1'b1: Interrupt
8	W1 C	0x0	frame0_dma_end_id0_intst 1'b0: No interrupt 1'b1: Interrupt

Bit	Attr	Reset Value	Description
7	W1 C	0x0	frame1_start_id3_intst 1'b0: No interrupt 1'b1: Interrupt
6	W1 C	0x0	frame0_start_id3_intst 1'b0: No interrupt 1'b1: Interrupt
5	W1 C	0x0	frame1_start_id2_intst 1'b0: No interrupt 1'b1: Interrupt
4	W1 C	0x0	frame0_start_id2_intst 1'b0: No interrupt 1'b1: Interrupt
3	W1 C	0x0	frame1_start_id1_intst 1'b0: No interrupt 1'b1: Interrupt
2	W1 C	0x0	frame0_start_id1_intst 1'b0: No interrupt 1'b1: Interrupt
1	W1 C	0x0	frame1_start_id0_intst 1'b0: No interrupt 1'b1: Interrupt
0	W1 C	0x0	frame0_start_id0_intst 1'b0: No interrupt 1'b1: Interrupt

**VICAP MIPI3 LINE INT NUM ID0 1**

Address: Operational Base + offset (0x047C)

Bit	Attr	Reset Value	Description
31	RW	0x0	line_int_mode_id1 1'b0: One-time mode 1'b1: Circular mode
30	RO	0x0	reserved
29:16	RW	0x0040	line_int_num_id1 For one-time mode, if line_int_num_id1=100, then channel 1 receive 100th line, the line_id1_intst will be 1. For circular mode, if line_int_num_id1=100, then channel 1 receive 100th line200th line300th line.....the line_id1_intst will be 1.
15	RW	0x0	line_int_mode_id0 1'b0: One-time mode 1'b1: Circular mode
14	RO	0x0	reserved



Bit	Attr	Reset Value	Description
13:0	RW	0x0040	line_int_num_id0 For one-time mode, if line_int_num_id0=100, then channel 0 receive 100th line, the line_id0_intst will be 1. For circular mode, if line_int_num_id0=100, then channel 0 receive 100th line200th line300th line.....the line_id0_intst will be 1.

**VICAP MIPI3 LINE INT NUM ID2 3**

Address: Operational Base + offset (0x0480)

Bit	Attr	Reset Value	Description
31	RW	0x0	line_int_mode_id3 1'b0: One-time mode 1'b1: Circular mode
30	RO	0x0	reserved
29:16	RW	0x0040	line_int_num_id3 For one-time mode, if line_int_num_id3=100, then channel 3 receive 100th line, the line_id3_intst will be 1. For circular mode, if line_int_num_id3=100, then channel 3 receive 100th line200th line300th line.....the line_id3_intst will be 1.
15	RW	0x0	line_int_mode_id2 1'b0: One-time mode 1'b1: Circular mode
14	RO	0x0	reserved
13:0	RW	0x0040	line_int_num_id2 For one-time mode, if line_int_num_id2=100, then channel 2 receive 100th line, the line_id2_intst will be 1. For circular mode, if line_int_num_id2=100, then channel 2 receive 100th line200th line300th line.....the line_id2_intst will be 1.

**VICAP MIPI3 LINE CNT ID0 1**

Address: Operational Base + offset (0x0484)

Bit	Attr	Reset Value	Description
31:30	RO	0x0	reserved
29:16	RO	0x0000	ro_line_cnt_id1 Current line count for id1.
15:14	RO	0x0	reserved
13:0	RO	0x0000	ro_line_cnt_id0 Current line count for id0.

**VICAP MIPI3 LINE CNT ID2 3**

Address: Operational Base + offset (0x0488)

Bit	Attr	Reset Value	Description
31:30	RO	0x0	reserved

Bit	Attr	Reset Value	Description
29:16	RW	0x0000	line_cnt_id3 Current line count for id3.
15:14	RO	0x0	reserved
13:0	RW	0x0000	line_cnt_id2 Current line count for id2.

**VICAP MIPI3 ID0 CROP START**

Address: Operational Base + offset (0x048C)

Bit	Attr	Reset Value	Description
31:30	RO	0x0	reserved
29:16	RW	0x0000	sw_start_y_id0 The start y coordinate for id0.
15:14	RO	0x0	reserved
13:0	RW	0x0000	sw_start_x_id0 The start x coordinate for id0, if sw_wrddr_type is rgb888, then the start x is measured in byte. The start x value must be 4 aligned.

**VICAP MIPI3 ID1 CROP START**

Address: Operational Base + offset (0x0490)

Bit	Attr	Reset Value	Description
31:30	RO	0x0	reserved
29:16	RW	0x0000	sw_start_y_id1 The start y coordinate for id1.
15:14	RO	0x0	reserved
13:0	RW	0x0000	sw_start_x_id1 The start x coordinate for id1, if sw_wrddr_type is rgb888, then the start x is measured in byte. The start x value must be 4 aligned.

**VICAP MIPI3 ID2 CROP START**

Address: Operational Base + offset (0x0494)

Bit	Attr	Reset Value	Description
31:30	RO	0x0	reserved
29:16	RW	0x0000	sw_start_y_id2 The start y coordinate for id2.
15:14	RO	0x0	reserved
13:0	RW	0x0000	sw_start_x_id2 The start x coordinate for id2, if sw_wrddr_type is rgb888, then the start x is measured in byte. The start x value must be 4 aligned.

**VICAP MIPI3 ID3 CROP START**

Address: Operational Base + offset (0x0498)

Bit	Attr	Reset Value	Description
31:30	RO	0x0	reserved
29:16	RW	0x0000	sw_start_y_id3 The start y coordinate for id3.
15:14	RO	0x0	reserved
13:0	RW	0x0000	sw_start_x_id3 The start x coordinate for id3, if sw_wrddr_type is rgb888, then the start x is measured in byte. The start x value must be 4 aligned.

**VICAP MIPI3 FRAME NUM VC0**

Address: Operational Base + offset (0x049C)

Bit	Attr	Reset Value	Description
31:16	RO	0x0000	ro_frame_num_end_vc0 The frame number of frame end of virtual channel 0.
15:0	RO	0x0000	ro_frame_num_start_vc0 The frame number of frame start of virtual channel 0.

**VICAP MIPI3 FRAME NUM VC1**

Address: Operational Base + offset (0x04A0)

Bit	Attr	Reset Value	Description
31:16	RO	0x0000	ro_frame_num_end_vc1 The frame number of frame end of virtual channel 1.
15:0	RO	0x0000	ro_frame_num_start_vc1 The frame number of frame start of virtual channel 1.

**VICAP MIPI3 FRAME NUM VC2**

Address: Operational Base + offset (0x04A4)

Bit	Attr	Reset Value	Description
31:16	RO	0x0000	ro_frame_num_end_vc2 The frame number of frame end of virtual channel 2.
15:0	RO	0x0000	ro_frame_num_start_vc2 The frame number of frame start of virtual channel 2.

**VICAP MIPI3 FRAME NUM VC3**

Address: Operational Base + offset (0x04A8)

Bit	Attr	Reset Value	Description
31:16	RO	0x0000	ro_frame_num_end_vc3 The frame number of frame end of virtual channel 3.
15:0	RO	0x0000	ro_frame_num_start_vc3 The frame number of frame start of virtual channel 3.

**VICAP MIPI3 ID0 EFFECT CODE**

Address: Operational Base + offset (0x04AC)

Bit	Attr	Reset Value	Description
31:30	RO	0x0	reserved
29:16	RW	0x0000	sw_sony_effect_code1_id0 Effect code of id0 for sony sensor.
15:14	RO	0x0	reserved
13:0	RW	0x0000	sw_sony_effect_code0_id0 Effect code of id0 for sony sensor.

**VICAP MIPI3 ID1 EFFECT CODE**

Address: Operational Base + offset (0x04B0)

Bit	Attr	Reset Value	Description
31:30	RO	0x0	reserved
29:16	RW	0x0000	sw_sony_effect_code1_id1 Effect code of id1 for sony sensor.
15:14	RO	0x0	reserved
13:0	RW	0x0000	sw_sony_effect_code0_id1 Effect code of id1 for sony sensor.

**VICAP MIPI3 ID2 EFFECT CODE**

Address: Operational Base + offset (0x04B4)

Bit	Attr	Reset Value	Description
31:30	RO	0x0	reserved
29:16	RW	0x0000	sw_sony_effect_code1_id2 Effect code of id2 for sony sensor.
15:14	RO	0x0	reserved
13:0	RW	0x0000	sw_sony_effect_code0_id2 Effect code of id2 for sony sensor.

**VICAP MIPI3 ID3 EFFECT CODE**

Address: Operational Base + offset (0x04B8)

Bit	Attr	Reset Value	Description
31:30	RO	0x0	reserved
29:16	RW	0x0000	sw_sony_effect_code1_id3 Effect code of id3 for sony sensor.
15:14	RO	0x0	reserved
13:0	RW	0x0000	sw_sony_effect_code0_id3 Effect code of id3 for sony sensor.

**VICAP MIPI3 ON PAD VALUE**

Address: Operational Base + offset (0x04BC)

Bit	Attr	Reset Value	Description
31:14	RO	0x00000	reserved
13:0	RW	0x0000	sw_on_pad_value Padding value for ON sensor.

**VICAP MIPI3 SIZE NUM ID0**

Address: Operational Base + offset (0x04C0)

Bit	Attr	Reset Value	Description
31:30	RO	0x0	reserved
29:16	RO	0x0000	ro_line_num_id0 The id0 line number in one frame.
15:14	RO	0x0	reserved
13:0	RO	0x0000	ro_pix_num_id0 The id0 pixel number in one line.

**VICAP MIPI3 SIZE NUM ID1**

Address: Operational Base + offset (0x04C4)

Bit	Attr	Reset Value	Description
31:30	RO	0x0	reserved
29:16	RO	0x0000	ro_line_num_id1 The id1 line number in one frame.
15:14	RO	0x0	reserved
13:0	RO	0x0000	ro_pix_num_id1 The id1 pixel number in one line.

**VICAP MIPI3 SIZE NUM ID2**

Address: Operational Base + offset (0x04C8)

Bit	Attr	Reset Value	Description
31:30	RO	0x0	reserved
29:16	RO	0x0000	ro_line_num_id2 The id2 line number in one frame.
15:14	RO	0x0	reserved
13:0	RO	0x0000	ro_pix_num_id2 The id2 pixel number in one line.

**VICAP MIPI3 SIZE NUM ID3**

Address: Operational Base + offset (0x04CC)

Bit	Attr	Reset Value	Description
31:30	RO	0x0	reserved
29:16	RO	0x0000	ro_line_num_id3 The id3 line number in one frame.
15:14	RO	0x0	reserved
13:0	RO	0x0000	ro_pix_num_id3 The id3 pixel number in one line.

**VICAP MIPI4 ID0 CTRL0**

Address: Operational Base + offset (0x0500)

Bit	Attr	Reset Value	Description
31:30	RW	0x0	sw_vc_hdr_id_main_id0 The id that is the first coming. Note: This register is available when sw_hdr_mode_idx=2'b00 and sw_vc_hdr_protect=1'b1.
29	RW	0x0	sw_vc_hdr_protect_id0 1'b0: Not ensure hdr long exposure frame is captured firstly; 1'b1: Ensure hdr long exposure frame is captured firstly. Note: This register is available when sw_hdr_mode_idx=2'b00. And sw_vc_hdr_id_main must be configured correctly(the first coming id).
28	RW	0x0	sw_dma_en_id0 Enable dma transport id0. 1'b0: Disable 1'b1: Enable
27	RW	0x0	sw_align_id0 1'b0: Low alignment(raw10/12 will in [9:0]/[11:0]) 1'b1: High alignment(raw10/12 will in [15:6]/[15:4]) Only be used when non-compacted mode.
26	RW	0x0	sw_command_mode_en_id0 Select command mode for id0. 1'b0: Not command mode 1'b1: Command mode
25:24	RW	0x0	sw_on_hdr_line_cnt_id0 If sw_mipi0_on_hdr_mode_id0=1(2), the line count value will circulate between 0~1(2). And if sw_mipi0_on_hdr_line_cnt_id0=1, id0 channel will capture the line which line count value equal to 1.
23:22	RW	0x0	sw_on_hdr_mode_id0 2'b00: Normal mode(no HDR) 2'b01: 2 frames HDR 2'b10: 3 frames HDR 2'b11: Reserved
21:20	RW	0x0	sw_hdr_mode_id0 2'b00: HDR distinguished by virtual channel 2'b01: HDR distinguished by line number(ON HDR mode) 2'b10: HDR distinguished by first 4pixel(SONY HDR mode) 2'b11: Reserved
19:18	RW	0x0	sw_yuyv_out_order_id0 2'b00: UYVY(CSI-2 standard) 2'b01: VYUY 2'b10: YUYV 2'b11: YVYU

Bit	Attr	Reset Value	Description
17:16	RW	0x0	sw_yuyv_in_order_id0 2'b00: UYVY(CSI-2 standard) 2'b01: VYUY 2'b10: YUYV 2'b11: YVYU
15:10	RW	0x00	sw_dt_id0 Data type for id0.
9:8	RW	0x0	sw_vc_id0 Virtual channel for id0.
7:5	RW	0x0	sw_wrddr_type_id0 The write ddr type of id0. 3'b000: Raw-compact 3'b001: Raw-uncompact 3'b010: YUV packet 3'b011: YUV 400 3'b100: YUV 422sp 3'b101: YUV 420sp Others: Reserved
4	RW	0x0	sw_crop_en_id0 Enable to crop for id0. 1'b0: Disable 1'b1: Enable
3:1	RW	0x0	sw_parse_type_id0 The parse type of id0. 3'b000: For raw8/rgb888 3'b001: For raw10 3'b010: For raw12 3'b011: For raw14(data will be clipped to 12bit) 3'b100: For yuv422 8bit Others: Reserved
0	RW	0x0	sw_cap_en_id0 Enable to capture id0. 1'b0: Disable 1'b1: Enable

**VICAP MIPI4 ID0 CTRL1**

Address: Operational Base + offset (0x0504)

Bit	Attr	Reset Value	Description
31:30	RO	0x0	reserved
29:16	RW	0x0000	sw_height_id0 Height for id0.
15:14	RO	0x0	reserved

Bit	Attr	Reset Value	Description
13:0	RW	0x0000	sw_width_id0 Width for id0. If sw_wrddr_type is rgb888, then the width is equal to the number of bytes(not pixel). If sw_crop_en_id0 is enable the width value must be 4 aligned.

**VICAP MIPI4 ID1 CTRL0**

Address: Operational Base + offset (0x0508)

Bit	Attr	Reset Value	Description
31:30	RW	0x0	sw_vc_hdr_id_main_id1 The id that is the first coming. Note: This register is available when sw_hdr_mode_idx=2'b00 and sw_vc_hdr_protect=1'b1.
29	RW	0x0	sw_vc_hdr_protect_id1 1'b0: Not ensure hdr long exposure frame is captured firstly; 1'b1: Ensure hdr long exposure frame is captured firstly. Note: This register is available when sw_hdr_mode_idx=2'b00. And sw_vc_hdr_id_main must be configured correctly(the first coming id).
28	RW	0x0	sw_dma_en_id1 Enable dma transport id1. 1'b0: Disable 1'b1: Enable
27	RW	0x0	sw_align_id1 1'b0: Low alignment(raw10/12 will in [9:0]/[11:0]) 1'b1: High alignment(raw10/12 will in [15:6]/[15:4]) Only be used when non-compacted mode.
26	RW	0x0	sw_command_mode_en_id1 Select command mode for id1. 1'b0: Not command mode 1'b1: Command mode
25:24	RW	0x0	sw_on_hdr_line_cnt_id1 If sw_mipi0_on_hdr_mode_id1=1(2), the line count value will circulate between 0~1(2). And if sw_mipi0_on_hdr_line_cnt_id1=1, id1 channel will capture the line which line count value equal to 1.
23:22	RW	0x0	sw_on_hdr_mode_id1 2'b00: Normal mode(no HDR) 2'b01: 2 frames HDR 2'b10: 3 frames HDR 2'b11: Reserved
21:20	RW	0x0	sw_hdr_mode_id1 2'b00: HDR distinguished by virtual channel 2'b01: HDR distinguished by line number(ON HDR mode) 2'b10: HDR distinguished by first 4pixel(SONY HDR mode) 2'b11: Reserved



Bit	Attr	Reset Value	Description
19:18	RW	0x0	sw_yuyv_out_order_id1 2'b00: UYVY(CSI-2 standard) 2'b01: VYUY 2'b10: YUYV 2'b11: YVYU
17:16	RW	0x0	sw_yuyv_in_order_id1 2'b00: UYVY(CSI-2 standard) 2'b01: VYUY 2'b10: YUYV 2'b11: YVYU
15:10	RW	0x00	sw_dt_id1 Data type for id1.
9:8	RW	0x0	sw_vc_id1 Virtual channel for id1.
7:5	RW	0x0	sw_wrddr_type_id1 The write ddr type of id1. 3'b000: Raw-compact 3'b001: Raw-uncompact 3'b010: YUV packet 3'b011: YUV 400 3'b100: YUV 422sp 3'b101: YUV 420sp Others: Reserved
4	RW	0x0	sw_crop_en_id1 Enable to crop for id1. 1'b0: Disable 1'b1: Enable
3:1	RW	0x0	sw_parse_type_id1 The parse type of id1. 3'b000: For raw8/rgb888 3'b001: For raw10 3'b010: For raw12 3'b011: For raw14(data will be clipped to 12bit) 3'b100: For yuv422 8bit Others: Reserved
0	RW	0x0	sw_cap_en_id1 Enable to capture id1. 1'b0: Disable 1'b1: Enable

**VICAP MIPI4 ID1 CTRL1**

Address: Operational Base + offset (0x050C)

Bit	Attr	Reset Value	Description
31:30	RO	0x0	reserved

Bit	Attr	Reset Value	Description
29:16	RW	0x0000	sw_height_id1 Height for id1.
15:14	RO	0x0	reserved
13:0	RW	0x0000	sw_width_id1 Width for id1. If sw_wrddr_type is rgb888, then the width is equal to the number of bytes(not pixel). If sw_crop_en_id1 is enable the width value must be 4 aligned.

**VICAP MIPI4 ID2 CTRL0**

Address: Operational Base + offset (0x0510)

Bit	Attr	Reset Value	Description
31:30	RW	0x0	sw_vc_hdr_id_main_id2 The id that is the first coming. Note: This register is available when sw_hdr_mode_idx=2'b00 and sw_vc_hdr_protect=1'b1.
29	RW	0x0	sw_vc_hdr_protect_id2 1'b0: Not ensure hdr long exposure frame is captured firstly; 1'b1: Ensure hdr long exposure frame is captured firstly. Note: This register is available when sw_hdr_mode_idx=2'b00. And sw_vc_hdr_id_main must be configured correctly(the first coming id).
28	RW	0x0	sw_dma_en_id2 Enable dma transport id2. 1'b0: Disable 1'b1: Enable
27	RW	0x0	sw_align_id2 1'b0: Low alignment(raw10/12 will in [9:0]/[11:0]) 1'b1: High alignment(raw10/12 will in [15:6]/[15:4]) Only be used when non-compacted mode.
26	RW	0x0	sw_command_mode_en_id2 Select command mode for id2. 1'b0: Not command mode 1'b1: Command mode
25:24	RW	0x0	sw_on_hdr_line_cnt_id2 If sw_mipi0_on_hdr_mode_id2=1(2), the line count value will circulate between 0~1(2). And if sw_mipi0_on_hdr_line_cnt_id2=1, id2 channel will capture the line which line count value equal to 1.
23:22	RW	0x0	sw_on_hdr_mode_id2 2'b00: Normal mode(no HDR) 2'b01: 2 frames HDR 2'b10: 3 frames HDR 2'b11: Reserved

Bit	Attr	Reset Value	Description
21:20	RW	0x0	sw_hdr_mode_id2 2'b00: HDR distinguished by virtual channel 2'b01: HDR distinguished by line number(ON HDR mode) 2'b10: HDR distinguished by first 4pixel(SONY HDR mode) 2'b11: Reserved
19:18	RW	0x0	sw_yuyv_out_order_id2 2'b00: UYVY(CSI-2 standard) 2'b01: VYUY 2'b10: YUYV 2'b11: YVYU
17:16	RW	0x0	sw_yuyv_in_order_id2 2'b00: UYVY(CSI-2 standard) 2'b01: VYUY 2'b10: YUYV 2'b11: YVYU
15:10	RW	0x00	sw_dt_id2 Data type for id2.
9:8	RW	0x0	sw_vc_id2 Virtual channel for id2.
7:5	RW	0x0	sw_wrddr_type_id2 The write ddr type of id2. 3'b000: Raw-compact 3'b001: Raw-uncompact 3'b010: YUV packet 3'b011: YUV 400 3'b100: YUV 422sp 3'b101: YUV 420sp Others: Reserved
4	RW	0x0	sw_crop_en_id2 Enable to crop for id2. 1'b0: Disable 1'b1: Enable
3:1	RW	0x0	sw_parse_type_id2 The parse type of id2. 3'b000: For raw8/rgb888 3'b001: For raw10 3'b010: For raw12 3'b011: For raw14(data will be clipped to 12bit) 3'b100: For yuv422 8bit Others: Reserved
0	RW	0x0	sw_cap_en_id2 Enable to capture id2. 1'b0: Disable 1'b1: Enable

**VICAP MIPI4 ID2 CTRL1**

Address: Operational Base + offset (0x0514)

Bit	Attr	Reset Value	Description
31:30	RO	0x0	reserved
29:16	RW	0x0000	sw_height_id2 Height for id2.
15:14	RO	0x0	reserved
13:0	RW	0x0000	sw_width_id2 Width for id2. If sw_wrddr_type is rgb888, then the width is equal to the number of bytes(not pixel). If sw_crop_en_id2 is enable the width value must be 4 aligned.

**VICAP MIPI4 ID3 CTRL0**

Address: Operational Base + offset (0x0518)

Bit	Attr	Reset Value	Description
31:30	RW	0x0	sw_vc_hdr_id_main_id3 The id that is the first coming. Note: This register is available when sw_hdr_mode_idx=2'b00 and sw_vc_hdr_protect=1'b1.
29	RW	0x0	sw_vc_hdr_protect_id3 1'b0: Not ensure hdr long exposure frame is captured firstly; 1'b1: Ensure hdr long exposure frame is captured firstly. Note: This register is available when sw_hdr_mode_idx=2'b00. And sw_vc_hdr_id_main must be configured correctly(the first coming id).
28	RW	0x0	sw_dma_en_id3 Enable dma transport id3. 1'b0: Disable 1'b1: Enable
27	RW	0x0	sw_align_id3 1'b0: Low alignment(raw10/12 will in [9:0]/[11:0]) 1'b1: High alignment(raw10/12 will in [15:6]/[15:4]) Only be used when non-compacted mode.
26	RW	0x0	sw_command_mode_en_id3 Select command mode for id3. 1'b0: Not command mode 1'b1: Command mode
25:24	RW	0x0	sw_on_hdr_line_cnt_id3 If sw_mipi0_on_hdr_mode_id3=1(2), the line count value will circulate between 0~1(2). And if sw_mipi0_on_hdr_line_cnt_id3=1, id3 channel will capture the line which line count value equal to 1.

Bit	Attr	Reset Value	Description
23:22	RW	0x0	sw_on_hdr_mode_id3 2'b00: Normal mode(no HDR) 2'b01: 2 frames HDR 2'b10: 3 frames HDR 2'b11: Reserved
21:20	RW	0x0	sw_hdr_mode_id3 2'b00: HDR distinguished by virtual channel 2'b01: HDR distinguished by line number(ON HDR mode) 2'b10: HDR distinguished by first 4pixel(SONY HDR mode) 2'b11: Reserved
19:18	RW	0x0	sw_yuyv_out_order_id3 2'b00: UYVY(CSI-2 standard) 2'b01: VYUY 2'b10: YUYV 2'b11: YVYU
17:16	RW	0x0	sw_yuyv_in_order_id3 2'b00: UYVY(CSI-2 standard) 2'b01: VYUY 2'b10: YUYV 2'b11: YVYU
15:10	RW	0x00	sw_dt_id3 Data type for id3.
9:8	RW	0x0	sw_vc_id3 Virtual channel for id3.
7:5	RW	0x0	sw_wrddr_type_id3 The write ddr type of id3. 3'b000: Raw-compact 3'b001: Raw-uncompact 3'b010: YUV packet 3'b011: YUV 400 3'b100: YUV 422sp 3'b101: YUV 420sp Others: Reserved
4	RW	0x0	sw_crop_en_id3 Enable to crop for id3. 1'b0: Disable 1'b1: Enable
3:1	RW	0x0	sw_parse_type_id3 The parse type of id3. 3'b000: For raw8/rgb888 3'b001: For raw10 3'b010: For raw12 3'b011: For raw14(data will be clipped to 12bit) 3'b100: For yuv422 8bit Others: Reserved

Bit	Attr	Reset Value	Description
0	RW	0x0	sw_cap_en_id3 Enable to capture id3. 1'b0: Disable 1'b1: Enable

**VICAP MIPI4 ID3 CTRL1**

Address: Operational Base + offset (0x051C)

Bit	Attr	Reset Value	Description
31:30	RO	0x0	reserved
29:16	RW	0x0000	sw_height_id3 Height for id3.
15:14	RO	0x0	reserved
13:0	RW	0x0000	sw_width_id3 Width for id3. If sw_wrddr_type is rgb888, then the width is equal to the number of bytes(not pixel). If sw_crop_en_id3 is enable the width value must be 4 aligned.

**VICAP MIPI4 CTRL**

Address: Operational Base + offset (0x0520)

Bit	Attr	Reset Value	Description
31:20	RO	0x000	reserved
19:18	RW	0x0	sw_soft_rst_mode 2'b00: Soft reset and protect toisp path frame integrity; 2'b01: Soft reset and protect toisp path frame integrity and pull down sw_cap_en automatically; 2'b10: Soft reset directly; 2'b11: Reserved.
17	RW	0x0	sw_soft_rst 1'b0: Not reset 1'b1: Reset the VICAP MIPI2 path(except MMU/AXI MASTER/REG FILE)
16	RW	0x0	sw_dma_rst Write 1 will reset VICAP MIPI2 path dma. When this bit change to 0,dma is reseted completely.
15:13	RW	0x0	sw_press_value Press value.
12	RW	0x0	sw_press_en 1'b0: Disable press 1'b1: Enable press
11:8	RO	0x0	reserved
7:5	RW	0x0	sw_hurry_value Hurry value.
4	RW	0x0	sw_hurry_en 1'b0: Disable hurry 1'b1: Enable hurry

Bit	Attr	Reset Value	Description
3	RO	0x0	reserved
2:1	RW	0x0	sw_water_line 2'b00: 75% 2'b01: 50% 2'b10: 25% 2'b11: 0%
0	RW	0x0	sw_cap_en 1'b0: Disable capture all id 1'b1: Enable capture all id.

**VICAP MIPI4 FRAME0 ADDR Y ID0**

Address: Operational Base + offset (0x0524)

Bit	Attr	Reset Value	Description
31:0	RW	0x00000000	sw_frame0_addr_y_id0 First address of even frame for ID0 Y/RAW/RGB path(must be aligned to double word).

**VICAP MIPI4 FRAME1 ADDR Y ID0**

Address: Operational Base + offset (0x0528)

Bit	Attr	Reset Value	Description
31:0	RW	0x00000000	sw_frame1_addr_y_id0 First address of odd frame for ID0 Y path(must be aligned to double word).

**VICAP MIPI4 FRAME0 ADDR UV ID0**

Address: Operational Base + offset (0x052C)

Bit	Attr	Reset Value	Description
31:0	RW	0x00000000	sw_frame0_addr_uv_id0 First address of even frame for ID0 UV path(must be aligned to double word).

**VICAP MIPI4 FRAME1 ADDR UV ID0**

Address: Operational Base + offset (0x0530)

Bit	Attr	Reset Value	Description
31:0	RW	0x00000000	sw_frame1_addr_uv_id0 First address of odd frame for ID0 UV path(must be aligned to double word).

**VICAP MIPI4 VLW ID0**

Address: Operational Base + offset (0x0534)

Bit	Attr	Reset Value	Description
31:20	RO	0x000	reserved
19:0	RW	0x00000	sw_vlw_id0 Virtual line width of even frame for ID0 path(must be aligned to double word).

**VICAP MIPI4 FRAME0 ADDR Y ID1**

Address: Operational Base + offset (0x0538)

Bit	Attr	Reset Value	Description
31:0	RW	0x00000000	sw_frame0_addr_y_id1 First address of even frame for ID1 Y/RAW/RGB path(must be aligned to double word).

**VICAP MIPI4 FRAME1 ADDR Y ID1**

Address: Operational Base + offset (0x053C)

Bit	Attr	Reset Value	Description
31:0	RW	0x00000000	sw_frame1_addr_y_id1 First address of odd frame for ID1 Y/RAW/RGB path(must be aligned to double word).

**VICAP MIPI4 FRAME0 ADDR UV ID1**

Address: Operational Base + offset (0x0540)

Bit	Attr	Reset Value	Description
31:0	RW	0x00000000	sw_frame0_addr_uv_id1 First address of even frame for ID1 UV path(must be aligned to double word).

**VICAP MIPI4 FRAME1 ADDR UV ID1**

Address: Operational Base + offset (0x0544)

Bit	Attr	Reset Value	Description
31:0	RW	0x00000000	sw_frame1_addr_uv_id1 First address of odd frame for ID1 UV path(must be aligned to double word).

**VICAP MIPI4 VLW ID1**

Address: Operational Base + offset (0x0548)

Bit	Attr	Reset Value	Description
31:20	RO	0x000	reserved
19:0	RW	0x00000	sw_vlw_id1 Virtual line width of even frame for ID1 Y/RAW/RGB path(must be aligned to double word).

**VICAP MIPI4 FRAME0 ADDR Y ID2**

Address: Operational Base + offset (0x054C)

Bit	Attr	Reset Value	Description
31:0	RW	0x00000000	sw_frame0_addr_y_id2 First address of even frame for ID2 Y/RAW/RGB path(must be aligned to double word).

**VICAP MIPI4 FRAME1 ADDR Y ID2**

Address: Operational Base + offset (0x0550)



Bit	Attr	Reset Value	Description
31:0	RW	0x00000000	sw_frame1_addr_y_id2 First address of odd frame for ID2 Y/RAW/RGB path(must be aligned to double word).

**VICAP MIPI4 FRAME0 ADDR UV ID2**

Address: Operational Base + offset (0x0554)

Bit	Attr	Reset Value	Description
31:0	RW	0x00000000	sw_frame0_addr_uv_id2 First address of even frame for ID2 UV path(must be aligned to double word).

**VICAP MIPI4 FRAME1 ADDR UV ID2**

Address: Operational Base + offset (0x0558)

Bit	Attr	Reset Value	Description
31:0	RW	0x00000000	sw_frame1_addr_uv_id0 First address of odd frame for ID2 UV path(must be aligned to double word).

**VICAP MIPI4 VLW ID2**

Address: Operational Base + offset (0x055C)

Bit	Attr	Reset Value	Description
31:20	RO	0x000	reserved
19:0	RW	0x00000	sw_vlw_id2 Virtual line width of even frame for ID2 path(must be aligned to double word).

**VICAP MIPI4 FRAME0 ADDR Y ID3**

Address: Operational Base + offset (0x0560)

Bit	Attr	Reset Value	Description
31:0	RW	0x00000000	sw_frame0_addr_y_id3 First address of even frame for ID3 Y/RAW/RGB path(must be aligned to double word).

**VICAP MIPI4 FRAME1 ADDR Y ID3**

Address: Operational Base + offset (0x0564)

Bit	Attr	Reset Value	Description
31:0	RW	0x00000000	sw_frame1_addr_y_id3 First address of odd frame for ID3 Y/RAW/RGB path(must be aligned to double word).

**VICAP MIPI4 FRAME0 ADDR UV ID3**

Address: Operational Base + offset (0x0568)

Bit	Attr	Reset Value	Description
31:0	RW	0x00000000	sw_frame0_addr_uv_id3 First address of even frame for ID3 UV path(must be aligned to double word).

**VICAP MIPI4 FRAME1 ADDR UV ID3**

Address: Operational Base + offset (0x056C)

Bit	Attr	Reset Value	Description
31:0	RW	0x00000000	sw_frame1_addr_uv_id3 First address of odd frame for ID3 UV path(must be aligned to double word).

**VICAP MIPI4 VLW ID3**

Address: Operational Base + offset (0x0570)

Bit	Attr	Reset Value	Description
31:20	RO	0x000	reserved
19:0	RW	0x00000	sw_vlw_id3 Virtual line width of even frame for ID3 path(must be aligned to double word).

**VICAP MIPI4 INTEN**

Address: Operational Base + offset (0x0574)

Bit	Attr	Reset Value	Description
31:28	RO	0x0	reserved
27	RW	0x0	size_err_id3_inten 1'b0: Disable 1'b1: Enable
26	RW	0x0	size_err_id2_inten 1'b0: Disable 1'b1: Enable
25	RW	0x0	size_err_id1_inten 1'b0: Disable 1'b1: Enable
24	RW	0x0	size_err_id0_inten 1'b0: Disable 1'b1: Enable
23	RW	0x0	line_id3_inten 1'b0: Disable 1'b1: Enable
22	RW	0x0	line_id2_inten 1'b0: Disable 1'b1: Enable
21	RW	0x0	line_id1_inten 1'b0: Disable 1'b1: Enable

Bit	Attr	Reset Value	Description
20	RW	0x0	line_id0_inten 1'b0: Disable 1'b1: Enable
19	RW	0x0	csi2rx_fifo_overflow_inten 1'b0: Disable 1'b1: Enable
18	RW	0x0	bandwidth_lack_inten 1'b0: Disable 1'b1: Enable
17	RW	0x0	dma_uv_fifo_overflow_inten Enable the interrupt of dma fifo overflow of MIPI uv path or LVDS id1 path. 1'b0: Disable 1'b1: Enable
16	RW	0x0	dma_y_fifo_overflow_inten Enable the interrupt of dma fifo overflow of MIPI y path or LVDS id0 path. 1'b0: Disable 1'b1: Enable
15	RW	0x0	frame1_dma_end_id3_inten Enable the interrupt of end of odd frame for ID1. 1'b0: Disable 1'b1: Enable
14	RW	0x0	frame0_dma_end_id3_inten Enable the interrupt of end of even frame for ID3. 1'b0: Disable 1'b1: Enable
13	RW	0x0	frame1_dma_end_id2_inten Enable the interrupt of end of odd frame for ID1. 1'b0: Disable 1'b1: Enable
12	RW	0x0	frame0_dma_end_id2_inten Enable the interrupt of end of even frame for ID2. 1'b0: Disable 1'b1: Enable
11	RW	0x0	frame1_dma_end_id1_inten Enable the interrupt of end of odd frame for ID1. 1'b0: Disable 1'b1: Enable
10	RW	0x0	frame0_dma_end_id1_inten Enable the interrupt of end of even frame for ID1. 1'b0: Disable 1'b1: Enable

Bit	Attr	Reset Value	Description
9	RW	0x0	frame1_dma_end_id0_inten Enable the interrupt of end of odd frame for ID0. 1'b0: Disable 1'b1: Enable
8	RW	0x0	frame0_dma_end_id0_inten Enable the interrupt of end of even frame for ID0. 1'b0: Disable 1'b1: Enable
7	RW	0x0	frame1_start_id3_inten Enable the interrupt of start of odd frame for ID3. 1'b0: Disable 1'b1: Enable
6	RW	0x0	frame0_start_id3_inten Enable the interrupt of start of even frame for ID3. 1'b0: Disable 1'b1: Enable
5	RW	0x0	frame1_start_id2_inten Enable the interrupt of start of odd frame for ID2. 1'b0: Disable 1'b1: Enable
4	RW	0x0	frame0_start_id2_inten Enable the interrupt of start of even frame for ID2. 1'b0: Disable 1'b1: Enable
3	RW	0x0	frame1_start_id1_inten Enable the interrupt of start of odd frame for ID1. 1'b0: Disable 1'b1: Enable
2	RW	0x0	frame0_start_id1_inten Enable the interrupt of start of even frame for ID1. 1'b0: Disable 1'b1: Enable
1	RW	0x0	frame1_start_id0_inten Enable the interrupt of start of odd frame for ID0. 1'b0: Disable 1'b1: Enable
0	RW	0x0	frame0_start_id0_inten Enable the interrupt of start of even frame for ID0. 1'b0: Disable 1'b1: Enable

**VICAP\_MIPI4\_INTSTAT**

Address: Operational Base + offset (0x0578)

Bit	Attr	Reset Value	Description
31:28	RO	0x0	reserved

Bit	Attr	Reset Value	Description
27	W1 C	0x0	size_err_id3_intst 1'b0: No interrupt 1'b1: Interrupt
26	W1 C	0x0	size_err_id2_intst 1'b0: No interrupt 1'b1: Interrupt
25	W1 C	0x0	size_err_id1_intst 1'b0: No interrupt 1'b1: Interrupt
24	W1 C	0x0	size_err_id0_intst 1'b0: No interrupt 1'b1: Interrupt
23	W1 C	0x0	line_id3_intst 1'b0: No interrupt 1'b1: Interrupt
22	W1 C	0x0	line_id2_intst 1'b0: No interrupt 1'b1: Interrupt
21	W1 C	0x0	line_id1_intst 1'b0: No interrupt 1'b1: Interrupt
20	W1 C	0x0	line_id0_intst 1'b0: No interrupt 1'b1: Interrupt
19	W1 C	0x0	csi2rx_fifo_overflow_intst 1'b0: No interrupt 1'b1: Interrupt
18	W1 C	0x0	bandwidth_lack_intst 1'b0: No interrupt 1'b1: Interrupt
17	W1 C	0x0	dma_uv_fifo_overflow_intst 1'b0: No interrupt 1'b1: Interrupt
16	W1 C	0x0	dma_y_fifo_overflow_intst 1'b0: No interrupt 1'b1: Interrupt
15	W1 C	0x0	frame1_dma_end_id3_intst 1'b0: No interrupt 1'b1: Interrupt
14	W1 C	0x0	frame0_dma_end_id3_intst 1'b0: No interrupt 1'b1: Interrupt
13	W1 C	0x0	frame1_dma_end_id2_intst 1'b0: No interrupt 1'b1: Interrupt

Bit	Attr	Reset Value	Description
12	W1 C	0x0	frame0_dma_end_id2_intst 1'b0: No interrupt 1'b1: Interrupt
11	W1 C	0x0	frame1_dma_end_id1_intst 1'b0: No interrupt 1'b1: Interrupt
10	W1 C	0x0	frame0_dma_end_id1_intst 1'b0: No interrupt 1'b1: Interrupt
9	W1 C	0x0	frame1_dma_end_id0_intst 1'b0: No interrupt 1'b1: Interrupt
8	W1 C	0x0	frame0_dma_end_id0_intst 1'b0: No interrupt 1'b1: Interrupt
7	W1 C	0x0	frame1_start_id3_intst 1'b0: No interrupt 1'b1: Interrupt
6	W1 C	0x0	frame0_start_id3_intst 1'b0: No interrupt 1'b1: Interrupt
5	W1 C	0x0	frame1_start_id2_intst 1'b0: No interrupt 1'b1: Interrupt
4	W1 C	0x0	frame0_start_id2_intst 1'b0: No interrupt 1'b1: Interrupt
3	W1 C	0x0	frame1_start_id1_intst 1'b0: No interrupt 1'b1: Interrupt
2	W1 C	0x0	frame0_start_id1_intst 1'b0: No interrupt 1'b1: Interrupt
1	W1 C	0x0	frame1_start_id0_intst 1'b0: No interrupt 1'b1: Interrupt
0	W1 C	0x0	frame0_start_id0_intst 1'b0: No interrupt 1'b1: Interrupt

**VICAP MIPI4 LINE INT NUM ID0 1**

Address: Operational Base + offset (0x057C)

Bit	Attr	Reset Value	Description
31	RW	0x0	line_int_mode_id1 1'b0: One-time mode 1'b1: Circular mode
30	RO	0x0	reserved
29:16	RW	0x0040	line_int_num_id1 For one-time mode, if line_int_num_id1=100, then channel 1 receive 100th line, the line_id1_intst will be 1. For circular mode, if line_int_num_id1=100, then channel 1 receive 100th line200th line300th line.....the line_id1_intst will be 1.
15	RW	0x0	line_int_mode_id0 1'b0: One-time mode 1'b1: Circular mode
14	RO	0x0	reserved
13:0	RW	0x0040	line_int_num_id0 For one-time mode, if line_int_num_id0=100, then channel 0 receive 100th line, the line_id0_intst will be 1. For circular mode, if line_int_num_id0=100, then channel 0 receive 100th line200th line300th line.....the line_id0_intst will be 1.

**VICAP MIPI4 LINE INT NUM ID2 3**

Address: Operational Base + offset (0x0580)

Bit	Attr	Reset Value	Description
31	RW	0x0	line_int_mode_id3 1'b0: One-time mode 1'b1: Circular mode
30	RO	0x0	reserved
29:16	RW	0x0040	line_int_num_id3 For one-time mode, if line_int_num_id3=100, then channel 3 receive 100th line, the line_id3_intst will be 1. For circular mode ,if line_int_num_id3=100, then channel 3 receive 100th line200th line300th line.....the line_id3_intst will be 1.
15	RW	0x0	line_int_mode_id2 1'b0: One-time mode 1'b1: Circular mode
14	RO	0x0	reserved
13:0	RW	0x0040	line_int_num_id2 For one-time mode, if line_int_num_id2=100, then channel 2 receive 100th line, the line_id2_intst will be 1. For circular mode, if line_int_num_id2=100, then channel 2 receive 100th line200th line300th line.....the line_id2_intst will be 1.

**VICAP MIPI4 LINE CNT ID0 1**

Address: Operational Base + offset (0x0584)

Bit	Attr	Reset Value	Description
31:30	RO	0x0	reserved
29:16	RO	0x0000	ro_line_cnt_id1 Current line count for id1.
15:14	RO	0x0	reserved
13:0	RO	0x0000	ro_line_cnt_id0 Current line count for id0.

**VICAP MIPI4 LINE CNT ID2 3**

Address: Operational Base + offset (0x0588)

Bit	Attr	Reset Value	Description
31:30	RO	0x0	reserved
29:16	RO	0x0000	ro_line_cnt_id3 Current line count for id3.
15:14	RO	0x0	reserved
13:0	RO	0x0000	ro_line_cnt_id2 Current line count for id2.

**VICAP MIPI4 ID0 CROP START**

Address: Operational Base + offset (0x058C)

Bit	Attr	Reset Value	Description
31:30	RO	0x0	reserved
29:16	RW	0x0000	sw_start_y_id0 The start y coordinate for id0.
15:14	RO	0x0	reserved
13:0	RW	0x0000	sw_start_x_id0 The start x coordinate for id0, if sw_wrddr_type is rgb888, then the start x is measured in byte. The start x value must be 4 aligned.

**VICAP MIPI4 ID1 CROP START**

Address: Operational Base + offset (0x0590)

Bit	Attr	Reset Value	Description
31:30	RO	0x0	reserved
29:16	RW	0x0000	sw_start_y_id1 The start y coordinate for id1.
15:14	RO	0x0	reserved
13:0	RW	0x0000	sw_start_x_id1 The start x coordinate for id1, if sw_wrddr_type is rgb888, then the start x is measured in byte. The start x value must be 4 aligned.

**VICAP MIPI4 ID2 CROP START**

Address: Operational Base + offset (0x0594)



Bit	Attr	Reset Value	Description
31:30	RO	0x0	reserved
29:16	RW	0x0000	sw_start_y_id2 The start y coordinate for id2.
15:14	RO	0x0	reserved
13:0	RW	0x0000	sw_start_x_id2 The start x coordinate for id2, if sw_wrddr_type is rgb888, then the start x is measured in byte. The start x value must be 4 aligned.

**VICAP MIPI4 ID3 CROP START**

Address: Operational Base + offset (0x0598)

Bit	Attr	Reset Value	Description
31:30	RO	0x0	reserved
29:16	RW	0x0000	sw_start_y_id3 The start y coordinate for id3.
15:14	RO	0x0	reserved
13:0	RW	0x0000	sw_start_x_id3 The start x coordinate for id3, if sw_wrddr_type is rgb888, then the start x is measured in byte. The start x value must be 4 aligned.

**VICAP MIPI4 FRAME NUM VC0**

Address: Operational Base + offset (0x059C)

Bit	Attr	Reset Value	Description
31:16	RO	0x0000	ro_frame_num_end_vc0 The frame number of frame end of virtual channel 0.
15:0	RO	0x0000	ro_frame_num_start_vc0 The frame number of frame start of virtual channel 0.

**VICAP MIPI4 FRAME NUM VC1**

Address: Operational Base + offset (0x05A0)

Bit	Attr	Reset Value	Description
31:16	RO	0x0000	ro_frame_num_end_vc1 The frame number of frame end of virtual channel 1.
15:0	RO	0x0000	ro_frame_num_start_vc1 The frame number of frame start of virtual channel 1.

**VICAP MIPI4 FRAME NUM VC2**

Address: Operational Base + offset (0x05A4)

Bit	Attr	Reset Value	Description
31:16	RO	0x0000	ro_frame_num_end_vc2 The frame number of frame end of virtual channel 2.
15:0	RO	0x0000	ro_frame_num_start_vc2 The frame number of frame start of virtual channel 2.

**VICAP MIPI4 FRAME NUM VC3**

Address: Operational Base + offset (0x05A8)

Bit	Attr	Reset Value	Description
31:16	RO	0x0000	ro_frame_num_end_vc3 The frame number of frame end of virtual channel 3.
15:0	RO	0x0000	ro_frame_num_start_vc3 The frame number of frame start of virtual channel 3.

**VICAP MIPI4 ID0 EFFECT CODE**

Address: Operational Base + offset (0x05AC)

Bit	Attr	Reset Value	Description
31:30	RO	0x0	reserved
29:16	RW	0x0000	sw_sony_effect_code1_id0 Effect code of id0 for sony sensor.
15:14	RO	0x0	reserved
13:0	RW	0x0000	sw_sony_effect_code0_id0 Effect code of id0 for sony sensor.

**VICAP MIPI4 ID1 EFFECT CODE**

Address: Operational Base + offset (0x05B0)

Bit	Attr	Reset Value	Description
31:30	RO	0x0	reserved
29:16	RW	0x0000	sw_sony_effect_code1_id1 Effect code of id1 for sony sensor.
15:14	RO	0x0	reserved
13:0	RW	0x0000	sw_sony_effect_code0_id1 Effect code of id1 for sony sensor.

**VICAP MIPI4 ID2 EFFECT CODE**

Address: Operational Base + offset (0x05B4)

Bit	Attr	Reset Value	Description
31:30	RO	0x0	reserved
29:16	RW	0x0000	sw_sony_effect_code1_id2 Effect code of id2 for sony sensor.
15:14	RO	0x0	reserved
13:0	RW	0x0000	sw_sony_effect_code0_id2 Effect code of id2 for sony sensor.

**VICAP MIPI4 ID3 EFFECT CODE**

Address: Operational Base + offset (0x05B8)

Bit	Attr	Reset Value	Description
31:30	RO	0x0	reserved
29:16	RW	0x0000	sw_sony_effect_code1_id3 Effect code of id3 for sony sensor.
15:14	RO	0x0	reserved

Bit	Attr	Reset Value	Description
13:0	RW	0x0000	sw_sony_effect_code0_id3 Effect code of id3 for sony sensor.

**VICAP MIPI4 ON PAD VALUE**

Address: Operational Base + offset (0x05BC)

Bit	Attr	Reset Value	Description
31:14	RO	0x00000	reserved
13:0	RW	0x0000	sw_on_pad_value Padding value for ON sensor.

**VICAP MIPI4 SIZE NUM ID0**

Address: Operational Base + offset (0x05C0)

Bit	Attr	Reset Value	Description
31:30	RO	0x0	reserved
29:16	RO	0x0000	ro_line_num_id0 The id0 line number in one frame.
15:14	RO	0x0	reserved
13:0	RO	0x0000	ro_pix_num_id0 The id0 pixel number in one line.

**VICAP MIPI4 SIZE NUM ID1**

Address: Operational Base + offset (0x05C4)

Bit	Attr	Reset Value	Description
31:30	RO	0x0	reserved
29:16	RO	0x0000	ro_line_num_id1 The id1 line number in one frame.
15:14	RO	0x0	reserved
13:0	RO	0x0000	ro_pix_num_id1 The id1 pixel number in one line.

**VICAP MIPI4 SIZE NUM ID2**

Address: Operational Base + offset (0x05C8)

Bit	Attr	Reset Value	Description
31:30	RO	0x0	reserved
29:16	RO	0x0000	ro_line_num_id2 The id2 line number in one frame.
15:14	RO	0x0	reserved
13:0	RO	0x0000	ro_pix_num_id2 The id2 pixel number in one line.

**VICAP MIPI4 SIZE NUM ID3**

Address: Operational Base + offset (0x05CC)

Bit	Attr	Reset Value	Description
31:30	RO	0x0	reserved

Bit	Attr	Reset Value	Description
29:16	RO	0x0000	ro_line_num_id3 The id3 line number in one frame.
15:14	RO	0x0	reserved
13:0	RO	0x0000	ro_pix_num_id3 The id3 pixel number in one line.

**VICAP MIPI5 ID0 CTRL0**

Address: Operational Base + offset (0x0600)

Bit	Attr	Reset Value	Description
31:30	RW	0x0	sw_vc_hdr_id_main_id0 The id that is the first coming. Note: This register is available when sw_hdr_mode_idx=2'b00 and sw_vc_hdr_protect=1'b1.
29	RW	0x0	sw_vc_hdr_protect_id0 1'b0: Not ensure hdr long exposure frame is captured firstly; 1'b1: Ensure hdr long exposure frame is captured firstly. Note: This register is available when sw_hdr_mode_idx=2'b00. And sw_vc_hdr_id_main must be configured correctly(the first coming id).
28	RW	0x0	sw_dma_en_id0 Enable dma transport id0. 1'b0: Disable 1'b1: Enable
27	RW	0x0	sw_align_id0 1'b0: Low alignment(raw10/12 will in [9:0]/[11:0]) 1'b1: High alignment(raw10/12 will in [15:6]/[15:4]) Only be used when non-compacted mode.
26	RW	0x0	sw_command_mode_en_id0 Select command mode for id0. 1'b0: Not command mode 1'b1: Command mode
25:24	RW	0x0	sw_on_hdr_line_cnt_id0 If sw_mipi0_on_hdr_mode_id0=1(2), the line count value will circulate between 0~1(2). And if sw_mipi0_on_hdr_line_cnt_id0=1, id0 channel will capture the line which line count value equal to 1.
23:22	RW	0x0	sw_on_hdr_mode_id0 2'b00: Normal mode(no HDR) 2'b01: 2 frames HDR 2'b10: 3 frames HDR 2'b11: Reserved

Bit	Attr	Reset Value	Description
21:20	RW	0x0	sw_hdr_mode_id0 2'b00: HDR distinguished by virtual channel 2'b01: HDR distinguished by line number(ON HDR mode) 2'b10: HDR distinguished by first 4pixel(SONY HDR mode) 2'b11: Reserved
19:18	RW	0x0	sw_yuyv_out_order_id0 2'b00: UYVY(CSI-2 standard) 2'b01: VYUY 2'b10: YUYV 2'b11: YVYU
17:16	RW	0x0	sw_yuyv_in_order_id0 2'b00: UYVY(CSI-2 standard) 2'b01: VYUY 2'b10: YUYV 2'b11: YVYU
15:10	RW	0x00	sw_dt_id0 Data type for id0.
9:8	RW	0x0	sw_vc_id0 Virtual channel for id0.
7:5	RW	0x0	sw_wrddr_type_id0 The write ddr type of id0. 3'b000: Raw-compact 3'b001: Raw-uncompact 3'b010: YUV packet 3'b011: YUV 400 3'b100: YUV 422sp 3'b101: YUV 420sp Others: Reserved
4	RW	0x0	sw_crop_en_id0 Enable to crop for id0. 1'b0: Disable 1'b1: Enable
3:1	RW	0x0	sw_parse_type_id0 The parse type of id0. 3'b000: For raw8/rgb888 3'b001: For raw10 3'b010: For raw12 3'b011: For raw14(data will be clipped to 12bit) 3'b100: For yuv422 8bit Others: Reserved
0	RW	0x0	sw_cap_en_id0 Enable to capture id0. 1'b0: Disable 1'b1: Enable

**VICAP MIPI5 ID0 CTRL1**

Address: Operational Base + offset (0x0604)

Bit	Attr	Reset Value	Description
31:30	RO	0x0	reserved
29:16	RW	0x0000	sw_height_id0 Height for id0.
15:14	RO	0x0	reserved
13:0	RW	0x0000	sw_width_id0 Width for id0. If sw_wrddr_type is rgb888, then the width is equal to the number of bytes(not pixel). If sw_crop_en_id0 is enable the width value must be 4 aligned.

**VICAP MIPI5 ID1 CTRL0**

Address: Operational Base + offset (0x0608)

Bit	Attr	Reset Value	Description
31:30	RW	0x0	sw_vc_hdr_id_main_id1 The id that is the first coming. Note: This register is available when sw_hdr_mode_idx=2'b00 and sw_vc_hdr_protect=1'b1.
29	RW	0x0	sw_vc_hdr_protect_id1 1'b0: Not ensure hdr long exposure frame is captured firstly; 1'b1: Ensure hdr long exposure frame is captured firstly. Note: This register is available when sw_hdr_mode_idx=2'b00. And sw_vc_hdr_id_main must be configured correctly(the first coming id).
28	RW	0x0	sw_dma_en_id1 Enable dma transport id1. 1'b0: Disable 1'b1: Enable
27	RW	0x0	sw_align_id1 1'b0: Low alignment(raw10/12 will in [9:0]/[11:0]) 1'b1: High alignment(raw10/12 will in [15:6]/[15:4]) Only be used when non-compacted mode.
26	RW	0x0	sw_command_mode_en_id1 Select command mode for id1. 1'b0: Not command mode 1'b1: Command mode
25:24	RW	0x0	sw_on_hdr_line_cnt_id1 If sw_mipi0_on_hdr_mode_id1=1(2), the line count value will circulate between 0~1(2). And if sw_mipi0_on_hdr_line_cnt_id1=1, id1 channel will capture the line which line count value equal to 1.

Bit	Attr	Reset Value	Description
23:22	RW	0x0	sw_on_hdr_mode_id1 2'b00: Normal mode(no HDR) 2'b01: 2 frames HDR 2'b10: 3 frames HDR 2'b11: Reserved
21:20	RW	0x0	sw_hdr_mode_id1 2'b00: HDR distinguished by virtual channel 2'b01: HDR distinguished by line number(ON HDR mode) 2'b10: HDR distinguished by first 4pixel(SONY HDR mode) 2'b11: Reserved
19:18	RW	0x0	sw_yuyv_out_order_id1 2'b00: UYVY(CSI-2 standard) 2'b01: VYUY 2'b10: YUYV 2'b11: YVYU
17:16	RW	0x0	sw_yuyv_in_order_id1 2'b00: UYVY(CSI-2 standard) 2'b01: VYUY 2'b10: YUYV 2'b11: YVYU
15:10	RW	0x00	sw_dt_id1 Data type for id1.
9:8	RW	0x0	sw_vc_id1 Virtual channel for id1.
7:5	RW	0x0	sw_wrddr_type_id1 The write ddr type of id1. 3'b000: Raw-compact 3'b001: Raw-uncompact 3'b010: YUV packet 3'b011: YUV 400 3'b100: YUV 422sp 3'b101: YUV 420sp Others: Reserved
4	RW	0x0	sw_crop_en_id1 Enable to crop for id1. 1'b0: Disable 1'b1: Enable
3:1	RW	0x0	sw_parse_type_id1 The parse type of id1. 3'b000: For raw8/rgb888 3'b001: For raw10 3'b010: For raw12 3'b011: For raw14(data will be clipped to 12bit) 3'b100: For yuv422 8bit Others: Reserved

Bit	Attr	Reset Value	Description
0	RW	0x0	sw_cap_en_id1 Enable to capture id1. 1'b0: Disable 1'b1: Enable

**VICAP MIPI5 ID1 CTRL1**

Address: Operational Base + offset (0x060C)

Bit	Attr	Reset Value	Description
31:30	RO	0x0	reserved
29:16	RW	0x0000	sw_height_id1 Height for id1.
15:14	RO	0x0	reserved
13:0	RW	0x0000	sw_width_id1 Width for id1. If sw_wrddr_type is rgb888, then the width is equal to the number of bytes(not pixel). If sw_crop_en_id1 is enable the width value must be 4 aligned.

**VICAP MIPI5 ID2 CTRL0**

Address: Operational Base + offset (0x0610)

Bit	Attr	Reset Value	Description
31:30	RW	0x0	sw_vc_hdr_id_main_id2 The id that is the first coming. Note: This register is available when sw_hdr_mode_idx=2'b00 and sw_vc_hdr_protect=1'b1.
29	RW	0x0	sw_vc_hdr_protect_id2 1'b0: Not ensure hdr long exposure frame is captured firstly; 1'b1: Ensure hdr long exposure frame is captured firstly. Note: This register is available when sw_hdr_mode_idx=2'b00. And sw_vc_hdr_id_main must be configured correctly(the first coming id).
28	RW	0x0	sw_dma_en_id2 Enable dma transport id2. 1'b0: Disable 1'b1: Enable
27	RW	0x0	sw_align_id2 1'b0: Low alignment(raw10/12 will in [9:0]/[11:0]) 1'b1: High alignment(raw10/12 will in [15:6]/[15:4]) Only be used when non-compacted mode.
26	RW	0x0	sw_command_mode_en_id2 Select command mode for id2. 1'b0: Not command mode 1'b1: Command mode



Bit	Attr	Reset Value	Description
25:24	RW	0x0	sw_on_hdr_line_cnt_id2 If sw_mipi0_on_hdr_mode_id2=1(2), the line count value will circulate between 0~1(2). And if sw_mipi0_on_hdr_line_cnt_id2=1, id2 channel will capture the line which line count value equal to 1.
23:22	RW	0x0	sw_on_hdr_mode_id2 2'b00: Normal mode(no HDR) 2'b01: 2 frames HDR 2'b10: 3 frames HDR 2'b11: Reserved
21:20	RW	0x0	sw_hdr_mode_id2 2'b00: HDR distinguished by virtual channel 2'b01: HDR distinguished by line number(ON HDR mode) 2'b10: HDR distinguished by first 4pixel(SONY HDR mode) 2'b11: Reserved
19:18	RW	0x0	sw_yuyv_out_order_id2 2'b00: UYVY(CSI-2 standard) 2'b01: VYUY 2'b10: YUYV 2'b11: YVYU
17:16	RW	0x0	sw_yuyv_in_order_id2 2'b00: UYVY(CSI-2 standard) 2'b01: VYUY 2'b10: YUYV 2'b11: YVYU
15:10	RW	0x00	sw_dt_id2 Data type for id2.
9:8	RW	0x0	sw_vc_id2 Virtual channel for id2.
7:5	RW	0x0	sw_wrddr_type_id2 The write ddr type of id2. 3'b000: Raw-compact 3'b001: Raw-uncompact 3'b010: YUV packet 3'b011: YUV 400 3'b100: YUV 422sp 3'b101: YUV 420sp Others: Reserved
4	RW	0x0	sw_crop_en_id2 Enable to crop for id2. 1'b0: Disable 1'b1: Enable

Bit	Attr	Reset Value	Description
3:1	RW	0x0	sw_parse_type_id2 The parse type of id2. 3'b000: For raw8/rgb888 3'b001: For raw10 3'b010: For raw12 3'b011: For raw14(data will be clipped to 12bit) 3'b100: For yuv422 8bit Others: Reserved
0	RW	0x0	sw_cap_en_id2 Enable to capture id2. 1'b0: Disable 1'b1: Enable

**VICAP\_MIPI5\_ID2\_CTRL1**

Address: Operational Base + offset (0x0614)

Bit	Attr	Reset Value	Description
31:30	RO	0x0	reserved
29:16	RW	0x0000	sw_height_id2 Height for id2.
15:14	RO	0x0	reserved
13:0	RW	0x0000	sw_width_id2 Width for id2.if sw_wrddr_type is rgb888, then the width is equal to the number of bytes(not pixel). If sw_crop_en_id2 is enable the width value must be 4 aligned.

**VICAP\_MIPI5\_ID3\_CTRL0**

Address: Operational Base + offset (0x0618)

Bit	Attr	Reset Value	Description
31:30	RW	0x0	sw_vc_hdr_id_main_id3 The id that is the first coming. Note: This register is available when sw_hdr_mode_idx=2'b00 and sw_vc_hdr_protect=1'b1.
29	RW	0x0	sw_vc_hdr_protect_id3 1'b0: Not ensure hdr long exposure frame is captured firstly; 1'b1: Ensure hdr long exposure frame is captured firstly. Note: This register is available when sw_hdr_mode_idx=2'b00. And sw_vc_hdr_id_main must be configured correctly(the first coming id).
28	RW	0x0	sw_dma_en_id3 Enable dma transport id3. 1'b0: Disable 1'b1: Enable

Bit	Attr	Reset Value	Description
27	RW	0x0	sw_align_id3 1'b0: Low alignment(raw10/12 will in [9:0]/[11:0]) 1'b1: High alignment(raw10/12 will in [15:6]/[15:4]) Only be used when non-compacted mode.
26	RW	0x0	sw_command_mode_en_id3 Select command mode for id3. 1'b0: Not command mode 1'b1: Command mode
25:24	RW	0x0	sw_on_hdr_line_cnt_id3 If sw_mipi0_on_hdr_mode_id3=1(2), the line count value will circulate between 0~1(2). And if sw_mipi0_on_hdr_line_cnt_id3=1, id3 channel will capture the line which line count value equal to 1.
23:22	RW	0x0	sw_on_hdr_mode_id3 2'b00: Normal mode(no HDR) 2'b01: 2 frames HDR 2'b10: 3 frames HDR 2'b11: Reserved
21:20	RW	0x0	sw_hdr_mode_id3 2'b00: HDR distinguished by virtual channel 2'b01: HDR distinguished by line number(ON HDR mode) 2'b10: HDR distinguished by first 4pixel(SONY HDR mode) 2'b11: Reserved
19:18	RW	0x0	sw_yuyv_out_order_id3 2'b00: UYVY(CSI-2 standard) 2'b01: VYUY 2'b10: YUYV 2'b11: YVYU
17:16	RW	0x0	sw_yuyv_in_order_id3 2'b00: UYVY(CSI-2 standard) 2'b01: VYUY 2'b10: YUYV 2'b11: YVYU
15:10	RW	0x00	sw_dt_id3 Data type for id3.
9:8	RW	0x0	sw_vc_id3 Virtual channel for id3.

Bit	Attr	Reset Value	Description
7:5	RW	0x0	sw_wrddr_type_id3 The write ddr type of id3. 3'b000: Raw-compact 3'b001: Raw-uncompact 3'b010: YUV packet 3'b011: YUV 400 3'b100: YUV 422sp 3'b101: YUV 420sp Others: Reserved
4	RW	0x0	sw_crop_en_id3 Enable to crop for id3. 1'b0: Disable 1'b1: Enable
3:1	RW	0x0	sw_parse_type_id3 The parse type of id3. 3'b000: For raw8/rgb888 3'b001: For raw10 3'b010: For raw12 3'b011: For raw14(data will be clipped to 12bit) 3'b100: For yuv422 8bit Others: Reserved
0	RW	0x0	sw_cap_en_id3 Enable to capture id3. 1'b0: Disable 1'b1: Enable

**VICAP MIPI5 ID3 CTRL1**

Address: Operational Base + offset (0x061C)

Bit	Attr	Reset Value	Description
31:30	RO	0x0	reserved
29:16	RW	0x0000	sw_height_id3 Height for id3.
15:14	RO	0x0	reserved
13:0	RW	0x0000	sw_width_id3 Width for id3.if sw_wrddr_type is rgb888, then the width is equal to the number of bytes(not pixel). If sw_crop_en_id3 is enable the width value must be 4 aligned.

**VICAP MIPI5 CTRL**

Address: Operational Base + offset (0x0620)

Bit	Attr	Reset Value	Description
31:20	RO	0x000	reserved

Bit	Attr	Reset Value	Description
19:18	RW	0x0	sw_soft_rst_mode 2'b00: Soft reset and protect toisp path frame integrity; 2'b01: Soft reset and protect toisp path frame integrity and pull down sw_cap_en automatically; 2'b10: Soft reset directly; 2'b11: Reserved.
17	RW	0x0	sw_soft_rst 1'b0: Not reset 1'b1: Reset the VICAP MIPI3 path(except MMU/AXI MASTER/REG FILE)
16	RW	0x0	sw_dma_rst Write 1 will reset VICAP MIPI3 path dma. When this bit change to 0,dma is reseted completely.
15:13	RW	0x0	sw_press_value Press value.
12	RW	0x0	sw_press_en 1'b0: Disable press 1'b1: Enable press
11:8	RO	0x0	reserved
7:5	RW	0x0	sw_hurry_value Hurry value.
4	RW	0x0	sw_hurry_en 1'b0: Disable hurry 1'b1: Enable hurry
3	RO	0x0	reserved
2:1	RW	0x0	sw_water_line 2'b00: 75% 2'b01: 50% 2'b10: 25% 2'b11: 0%
0	RW	0x0	sw_cap_en 1'b0: Disable capture all id 1'b1: Enable capture all id.

**VICAP MIPI5 FRAME0 ADDR Y ID0**

Address: Operational Base + offset (0x0624)

Bit	Attr	Reset Value	Description
31:0	RW	0x00000000	sw_frame0_addr_y_id0 First address of even frame for ID0 Y/RAW/RGB path(must be aligned to double word).

**VICAP MIPI5 FRAME1 ADDR Y ID0**

Address: Operational Base + offset (0x0628)

Bit	Attr	Reset Value	Description
31:0	RW	0x00000000	sw_frame1_addr_y_id0 First address of odd frame for ID0 Y path(must be aligned to double word).

**VICAP MIPI5 FRAME0 ADDR UV ID0**

Address: Operational Base + offset (0x062C)

Bit	Attr	Reset Value	Description
31:0	RW	0x00000000	sw_frame0_addr_uv_id0 First address of even frame for ID0 UV path(must be aligned to double word).

**VICAP MIPI5 FRAME1 ADDR UV ID0**

Address: Operational Base + offset (0x0630)

Bit	Attr	Reset Value	Description
31:0	RW	0x00000000	sw_frame1_addr_uv_id0 First address of odd frame for ID0 UV path(must be aligned to double word).

**VICAP MIPI5 VLW ID0**

Address: Operational Base + offset (0x0634)

Bit	Attr	Reset Value	Description
31:20	RO	0x000	reserved
19:0	RW	0x00000	sw_vlw_id0 Virtual line width of even frame for ID0 path(must be aligned to double word).

**VICAP MIPI5 FRAME0 ADDR Y ID1**

Address: Operational Base + offset (0x0638)

Bit	Attr	Reset Value	Description
31:0	RW	0x00000000	sw_frame0_addr_y_id1 First address of even frame for ID1 Y/RAW/RGB path(must be aligned to double word).

**VICAP MIPI5 FRAME1 ADDR Y ID1**

Address: Operational Base + offset (0x063C)

Bit	Attr	Reset Value	Description
31:0	RW	0x00000000	sw_frame1_addr_y_id1 First address of odd frame for ID1 Y/RAW/RGB path(must be aligned to double word).

**VICAP MIPI5 FRAME0 ADDR UV ID1**

Address: Operational Base + offset (0x0640)

Bit	Attr	Reset Value	Description
31:0	RW	0x00000000	sw_frame0_addr_uv_id1 First address of even frame for ID1 UV path(must be aligned to double word).

**VICAP MIPI5 FRAME1 ADDR UV ID1**

Address: Operational Base + offset (0x0644)

Bit	Attr	Reset Value	Description
31:0	RW	0x00000000	sw_frame1_addr_uv_id1 First address of odd frame for ID1 UV path(must be aligned to double word).

**VICAP MIPI5 VLW ID1**

Address: Operational Base + offset (0x0648)

Bit	Attr	Reset Value	Description
31:20	RO	0x000	reserved
19:0	RW	0x00000	sw_vlw_id1 Virtual line width of even frame for ID1 Y/RAW/RGB path(must be aligned to double word).

**VICAP MIPI5 FRAME0 ADDR Y ID2**

Address: Operational Base + offset (0x064C)

Bit	Attr	Reset Value	Description
31:0	RW	0x00000000	sw_frame0_addr_y_id2 First address of even frame for ID2 Y/RAW/RGB path(must be aligned to double word).

**VICAP MIPI5 FRAME1 ADDR Y ID2**

Address: Operational Base + offset (0x0650)

Bit	Attr	Reset Value	Description
31:0	RW	0x00000000	sw_frame1_addr_y_id2 First address of odd frame for ID2 Y/RAW/RGB path(must be aligned to double word).

**VICAP MIPI5 FRAME0 ADDR UV ID2**

Address: Operational Base + offset (0x0654)

Bit	Attr	Reset Value	Description
31:0	RW	0x00000000	sw_frame0_addr_uv_id2 First address of even frame for ID2 UV path(must be aligned to double word).

**VICAP MIPI5 FRAME1 ADDR UV ID2**

Address: Operational Base + offset (0x0658)

Bit	Attr	Reset Value	Description
31:0	RW	0x00000000	sw_frame1_addr_uv_id0 First address of odd frame for ID2 UV path(must be aligned to double word).

**VICAP MIPI5 VLW ID2**

Address: Operational Base + offset (0x065C)

Bit	Attr	Reset Value	Description
31:20	RO	0x000	reserved
19:0	RW	0x00000	sw_vlw_id2 Virtual line width of even frame for ID2 path(must be aligned to double word).

**VICAP MIPI5 FRAME0 ADDR Y ID3**

Address: Operational Base + offset (0x0660)

Bit	Attr	Reset Value	Description
31:0	RW	0x00000000	sw_frame0_addr_y_id3 First address of even frame for ID3 Y/RAW/RGB path(must be aligned to double word).

**VICAP MIPI5 FRAME1 ADDR Y ID3**

Address: Operational Base + offset (0x0664)

Bit	Attr	Reset Value	Description
31:0	RW	0x00000000	sw_frame1_addr_y_id3 First address of odd frame for ID3 Y/RAW/RGB path(must be aligned to double word).

**VICAP MIPI5 FRAME0 ADDR UV ID3**

Address: Operational Base + offset (0x0668)

Bit	Attr	Reset Value	Description
31:0	RW	0x00000000	sw_frame0_addr_uv_id3 First address of even frame for ID3 UV path(must be aligned to double word).

**VICAP MIPI5 FRAME1 ADDR UV ID3**

Address: Operational Base + offset (0x066C)

Bit	Attr	Reset Value	Description
31:0	RW	0x00000000	sw_frame1_addr_uv_id3 First address of odd frame for ID3 UV path(must be aligned to double word).

**VICAP MIPI5 VLW ID3**

Address: Operational Base + offset (0x0670)

Bit	Attr	Reset Value	Description
31:20	RO	0x000	reserved



Bit	Attr	Reset Value	Description
19:0	RW	0x00000	sw_vlw_id3 Virtual line width of even frame for ID3 path(must be aligned to double word).

**VICAP MIPI5 INTEN**

Address: Operational Base + offset (0x0674)

Bit	Attr	Reset Value	Description
31:28	RO	0x0	reserved
27	RW	0x0	size_err_id3_inten 1'b0: Disable 1'b1: Enable
26	RW	0x0	size_err_id2_inten 1'b0: Disable 1'b1: Enable
25	RW	0x0	size_err_id1_inten 1'b0: Disable 1'b1: Enable
24	RW	0x0	size_err_id0_inten 1'b0: Disable 1'b1: Enable
23	RW	0x0	line_id3_inten 1'b0: Disable 1'b1: Enable
22	RW	0x0	line_id2_inten 1'b0: Disable 1'b1: Enable
21	RW	0x0	line_id1_inten 1'b0: Disable 1'b1: Enable
20	RW	0x0	line_id0_inten 1'b0: Disable 1'b1: Enable
19	RW	0x0	csi2rx_fifo_overflow_inten 1'b0: Disable 1'b1: Enable
18	RW	0x0	bandwidth_lack_inten 1'b0: Disable 1'b1: Enable
17	RW	0x0	dma_uv_fifo_overflow_inten Enable the interrupt of dma fifo overflow of MIPI uv path or LVDS id1 path. 1'b0: Disable 1'b1: Enable

Bit	Attr	Reset Value	Description
16	RW	0x0	dma_y_fifo_overflow_inten Enable the interrupt of dma fifo overflow of MIPI y path or LVDS id0 path. 1'b0: Disable 1'b1: Enable
15	RW	0x0	frame1_dma_end_id3_inten Enable the interrupt of end of odd frame for ID1. 1'b0: Disable 1'b1: Enable
14	RW	0x0	frame0_dma_end_id3_inten Enable the interrupt of end of even frame for ID3. 1'b0: Disable 1'b1: Enable
13	RW	0x0	frame1_dma_end_id2_inten Enable the interrupt of end of odd frame for ID1. 1'b0: Disable 1'b1: Enable
12	RW	0x0	frame0_dma_end_id2_inten Enable the interrupt of end of even frame for ID2. 1'b0: Disable 1'b1: Enable
11	RW	0x0	frame1_dma_end_id1_inten Enable the interrupt of end of odd frame for ID1. 1'b0: Disable 1'b1: Enable
10	RW	0x0	frame0_dma_end_id1_inten Enable the interrupt of end of even frame for ID1. 1'b0: Disable 1'b1: Enable
9	RW	0x0	frame1_dma_end_id0_inten Enable the interrupt of end of odd frame for ID0. 1'b0: Disable 1'b1: Enable
8	RW	0x0	frame0_dma_end_id0_inten Enable the interrupt of end of even frame for ID0. 1'b0: Disable 1'b1: Enable
7	RW	0x0	frame1_start_id3_inten Enable the interrupt of start of odd frame for ID3. 1'b0: Disable 1'b1: Enable
6	RW	0x0	frame0_start_id3_inten Enable the interrupt of start of even frame for ID3. 1'b0: Disable 1'b1: Enable

Bit	Attr	Reset Value	Description
5	RW	0x0	frame1_start_id2_inten Enable the interrupt of start of odd frame for ID2. 1'b0: Disable 1'b1: Enable
4	RW	0x0	frame0_start_id2_inten Enable the interrupt of start of even frame for ID2. 1'b0: Disable 1'b1: Enable
3	RW	0x0	frame1_start_id1_inten Enable the interrupt of start of odd frame for ID1. 1'b0: Disable 1'b1: Enable
2	RW	0x0	frame0_start_id1_inten Enable the interrupt of start of even frame for ID1. 1'b0: Disable 1'b1: Enable
1	RW	0x0	frame1_start_id0_inten Enable the interrupt of start of odd frame for ID0. 1'b0: Disable 1'b1: Enable
0	RW	0x0	frame0_start_id0_inten Enable the interrupt of start of even frame for ID0. 1'b0: Disable 1'b1: Enable

**VICAP MIPI5 INTSTAT**

Address: Operational Base + offset (0x0678)

Bit	Attr	Reset Value	Description
31:28	RO	0x0	reserved
27	W1 C	0x0	size_err_id3_intst 1'b0: No interrupt 1'b1: Interrupt
26	W1 C	0x0	size_err_id2_intst 1'b0: No interrupt 1'b1: Interrupt
25	W1 C	0x0	size_err_id1_intst 1'b0: No interrupt 1'b1: Interrupt
24	W1 C	0x0	size_err_id0_intst 1'b0: No interrupt 1'b1: Interrupt
23	W1 C	0x0	line_id3_intst 1'b0: No interrupt 1'b1: Interrupt

Bit	Attr	Reset Value	Description
22	W1 C	0x0	line_id2_intst 1'b0: No interrupt 1'b1: Interrupt
21	W1 C	0x0	line_id1_intst 1'b0: No interrupt 1'b1: Interrupt
20	W1 C	0x0	line_id0_intst 1'b0: No interrupt 1'b1: Interrupt
19	W1 C	0x0	csi2rx_fifo_overflow_intst 1'b0: No interrupt 1'b1: Interrupt
18	W1 C	0x0	bandwidth_lack_intst 1'b0: No interrupt 1'b1: Interrupt
17	W1 C	0x0	dma_uv_fifo_overflow_intst 1'b0: No interrupt 1'b1: Interrupt
16	W1 C	0x0	dma_y_fifo_overflow_intst 1'b0: No interrupt 1'b1: Interrupt
15	W1 C	0x0	frame1_dma_end_id3_intst 1'b0: No interrupt 1'b1: Interrupt
14	W1 C	0x0	frame0_dma_end_id3_intst 1'b0: No interrupt 1'b1: Interrupt
13	W1 C	0x0	frame1_dma_end_id2_intst 1'b0: No interrupt 1'b1: Interrupt
12	W1 C	0x0	frame0_dma_end_id2_intst 1'b0: No interrupt 1'b1: Interrupt
11	W1 C	0x0	frame1_dma_end_id1_intst 1'b0: No interrupt 1'b1: Interrupt
10	W1 C	0x0	frame0_dma_end_id1_intst 1'b0: No interrupt 1'b1: Interrupt
9	W1 C	0x0	frame1_dma_end_id0_intst 1'b0: No interrupt 1'b1: Interrupt
8	W1 C	0x0	frame0_dma_end_id0_intst 1'b0: No interrupt 1'b1: Interrupt

Bit	Attr	Reset Value	Description
7	W1 C	0x0	frame1_start_id3_intst 1'b0: No interrupt 1'b1: Interrupt
6	W1 C	0x0	frame0_start_id3_intst 1'b0: No interrupt 1'b1: Interrupt
5	W1 C	0x0	frame1_start_id2_intst 1'b0: No interrupt 1'b1: Interrupt
4	W1 C	0x0	frame0_start_id2_intst 1'b0: No interrupt 1'b1: Interrupt
3	W1 C	0x0	frame1_start_id1_intst 1'b0: No interrupt 1'b1: Interrupt
2	W1 C	0x0	frame0_start_id1_intst 1'b0: No interrupt 1'b1: Interrupt
1	W1 C	0x0	frame1_start_id0_intst 1'b0: No interrupt 1'b1: Interrupt
0	W1 C	0x0	frame0_start_id0_intst 1'b0: No interrupt 1'b1: Interrupt

**VICAP MIPI5 LINE INT NUM ID0 1**

Address: Operational Base + offset (0x067C)

Bit	Attr	Reset Value	Description
31	RW	0x0	line_int_mode_id1 1'b0: One-time mode 1'b1: Circular mode
30	RO	0x0	reserved
29:16	RW	0x0040	line_int_num_id1 For one-time mode, if line_int_num_id1=100, then channel 1 receive 100th line, the line_id1_intst will be 1. For circular mode, if line_int_num_id1=100, then channel 1 receive 100th line200th line300th line.....the line_id1_intst will be 1.
15	RW	0x0	line_int_mode_id0 1'b0: One-time mode 1'b1: Circular mode
14	RO	0x0	reserved

Bit	Attr	Reset Value	Description
13:0	RW	0x0040	line_int_num_id0 For one-time mode, if line_int_num_id0=100, then channel 0 receive 100th line, the line_id0_intst will be 1. For circular mode, if line_int_num_id0=100, then channel 0 receive 100th line200th line300th line.....the line_id0_intst will be 1.

**VICAP MIPI5 LINE INT NUM ID2 3**

Address: Operational Base + offset (0x0680)

Bit	Attr	Reset Value	Description
31	RW	0x0	line_int_mode_id3 1'b0: One-time mode 1'b1: Circular mode
30	RO	0x0	reserved
29:16	RW	0x0040	line_int_num_id3 For one-time mode, if line_int_num_id3=100, then channel 3 receive 100th line, the line_id3_intst will be 1. For circular mode, if line_int_num_id3=100, then channel 3 receive 100th line200th line300th line.....the line_id3_intst will be 1.
15	RW	0x0	line_int_mode_id2 1'b0: One-time mode 1'b1: Circular mode
14	RO	0x0	reserved
13:0	RW	0x0040	line_int_num_id2 For one-time mode, if line_int_num_id2=100, then channel 2 receive 100th line, the line_id2_intst will be 1. For circular mode, if line_int_num_id2=100, then channel 2 receive 100th line200th line300th line.....the line_id2_intst will be 1.

**VICAP MIPI5 LINE CNT ID0 1**

Address: Operational Base + offset (0x0684)

Bit	Attr	Reset Value	Description
31:30	RO	0x0	reserved
29:16	RO	0x0000	ro_line_cnt_id1 Current line count for id1.
15:14	RO	0x0	reserved
13:0	RO	0x0000	ro_line_cnt_id0 Current line count for id0.

**VICAP MIPI5 LINE CNT ID2 3**

Address: Operational Base + offset (0x0688)

Bit	Attr	Reset Value	Description
31:30	RO	0x0	reserved

Bit	Attr	Reset Value	Description
29:16	RO	0x0000	ro_line_cnt_id3 Current line count for id3.
15:14	RO	0x0	reserved
13:0	RO	0x0000	ro_line_cnt_id2 Current line count for id2.

**VICAP MIPI5 ID0 CROP START**

Address: Operational Base + offset (0x068C)

Bit	Attr	Reset Value	Description
31:30	RO	0x0	reserved
29:16	RW	0x0000	sw_start_y_id0 The start y coordinate for id0.
15:14	RO	0x0	reserved
13:0	RW	0x0000	sw_start_x_id0 The start x coordinate for id0, if sw_wrddr_type is rgb888, then the start x is measured in byte. The start x value must be 4 aligned.

**VICAP MIPI5 ID1 CROP START**

Address: Operational Base + offset (0x0690)

Bit	Attr	Reset Value	Description
31:30	RO	0x0	reserved
29:16	RW	0x0000	sw_start_y_id1 The start y coordinate for id1.
15:14	RO	0x0	reserved
13:0	RW	0x0000	sw_start_x_id1 The start x coordinate for id1, if sw_wrddr_type is rgb888, then the start x is measured in byte. The start x value must be 4 aligned.

**VICAP MIPI5 ID2 CROP START**

Address: Operational Base + offset (0x0694)

Bit	Attr	Reset Value	Description
31:30	RO	0x0	reserved
29:16	RW	0x0000	sw_start_y_id2 The start y coordinate for id2.
15:14	RO	0x0	reserved
13:0	RW	0x0000	sw_start_x_id2 The start x coordinate for id2, if sw_wrddr_type is rgb888, then the start x is measured in byte. The start x value must be 4 aligned.

**VICAP MIPI5 ID3 CROP START**

Address: Operational Base + offset (0x0698)

Bit	Attr	Reset Value	Description
31:30	RO	0x0	reserved
29:16	RW	0x0000	sw_start_y_id3 The start y coordinate for id3.
15:14	RO	0x0	reserved
13:0	RW	0x0000	sw_start_x_id3 The start x coordinate for id3, if sw_wrddr_type is rgb888, then the start x is measured in byte. The start x value must be 4 aligned.

**VICAP MIPI5 FRAME NUM VC0**

Address: Operational Base + offset (0x069C)

Bit	Attr	Reset Value	Description
31:16	RO	0x0000	ro_frame_num_end_vc0 The frame number of frame end of virtual channel 0.
15:0	RO	0x0000	ro_frame_num_start_vc0 The frame number of frame start of virtual channel 0.

**VICAP MIPI5 FRAME NUM VC1**

Address: Operational Base + offset (0x06A0)

Bit	Attr	Reset Value	Description
31:16	RO	0x0000	ro_frame_num_end_vc1 The frame number of frame end of virtual channel 1.
15:0	RO	0x0000	ro_frame_num_start_vc1 The frame number of frame start of virtual channel 1.

**VICAP MIPI5 FRAME NUM VC2**

Address: Operational Base + offset (0x06A4)

Bit	Attr	Reset Value	Description
31:16	RO	0x0000	ro_frame_num_end_vc2 The frame number of frame end of virtual channel 2.
15:0	RO	0x0000	ro_frame_num_start_vc2 The frame number of frame start of virtual channel 2.

**VICAP MIPI5 FRAME NUM VC3**

Address: Operational Base + offset (0x06A8)

Bit	Attr	Reset Value	Description
31:16	RO	0x0000	ro_frame_num_end_vc3 The frame number of frame end of virtual channel 3.
15:0	RO	0x0000	ro_frame_num_start_vc3 The frame number of frame start of virtual channel 3.

**VICAP MIPI5 ID0 EFFECT CODE**

Address: Operational Base + offset (0x06AC)



Bit	Attr	Reset Value	Description
31:30	RO	0x0	reserved
29:16	RW	0x0000	sw_sony_effect_code1_id0 Effect code of id0 for sony sensor.
15:14	RO	0x0	reserved
13:0	RW	0x0000	sw_sony_effect_code0_id0 Effect code of id0 for sony sensor.

**VICAP MIPI5 ID1 EFFECT CODE**

Address: Operational Base + offset (0x06B0)

Bit	Attr	Reset Value	Description
31:30	RO	0x0	reserved
29:16	RW	0x0000	sw_sony_effect_code1_id1 Effect code of id1 for sony sensor.
15:14	RO	0x0	reserved
13:0	RW	0x0000	sw_sony_effect_code0_id1 Effect code of id1 for sony sensor.

**VICAP MIPI5 ID2 EFFECT CODE**

Address: Operational Base + offset (0x06B4)

Bit	Attr	Reset Value	Description
31:30	RO	0x0	reserved
29:16	RW	0x0000	sw_sony_effect_code1_id2 Effect code of id2 for sony sensor.
15:14	RO	0x0	reserved
13:0	RW	0x0000	sw_sony_effect_code0_id2 Effect code of id2 for sony sensor.

**VICAP MIPI5 ID3 EFFECT CODE**

Address: Operational Base + offset (0x06B8)

Bit	Attr	Reset Value	Description
31:30	RO	0x0	reserved
29:16	RW	0x0000	sw_sony_effect_code1_id3 Effect code of id3 for sony sensor.
15:14	RO	0x0	reserved
13:0	RW	0x0000	sw_sony_effect_code0_id3 Effect code of id3 for sony sensor.

**VICAP MIPI5 ON PAD VALUE**

Address: Operational Base + offset (0x06BC)

Bit	Attr	Reset Value	Description
31:14	RO	0x00000	reserved
13:0	RW	0x0000	sw_on_pad_value Padding value for ON sensor.

**VICAP MIPI5 SIZE NUM ID0**

Address: Operational Base + offset (0x06C0)

Bit	Attr	Reset Value	Description
31:30	RO	0x0	reserved
29:16	RO	0x0000	ro_line_num_id0 The id0 line number in one frame.
15:14	RO	0x0	reserved
13:0	RO	0x0000	ro_pix_num_id0 The id0 pixel number in one line.

**VICAP MIPI5 SIZE NUM ID1**

Address: Operational Base + offset (0x06C4)

Bit	Attr	Reset Value	Description
31:30	RO	0x0	reserved
29:16	RO	0x0000	ro_line_num_id1 The id1 line number in one frame.
15:14	RO	0x0	reserved
13:0	RO	0x0000	ro_pix_num_id1 The id1 pixel number in one line.

**VICAP MIPI5 SIZE NUM ID2**

Address: Operational Base + offset (0x06C8)

Bit	Attr	Reset Value	Description
31:30	RO	0x0	reserved
29:16	RO	0x0000	ro_line_num_id2 The id2 line number in one frame.
15:14	RO	0x0	reserved
13:0	RO	0x0000	ro_pix_num_id2 The id2 pixel number in one line.

**VICAP MIPI5 SIZE NUM ID3**

Address: Operational Base + offset (0x06CC)

Bit	Attr	Reset Value	Description
31:30	RO	0x0	reserved
29:16	RO	0x0000	ro_line_num_id3 The id3 line number in one frame.
15:14	RO	0x0	reserved
13:0	RO	0x0000	ro_pix_num_id3 The id3 pixel number in one line.

**VICAP SCL CH CTRL**

Address: Operational Base + offset (0x0700)

Bit	Attr	Reset Value	Description
31:27	RW	0x00	sw_scl_mux_ch3 5'd0: Select MIPI0 ID0 5'd1: Select MIPI0 ID1 5'd2: Select MIPI0 ID2 5'd3: Select MIPI0 ID3 5'd4: Select MIPI1 ID0 5'd5: Select MIPI1 ID1 5'd6: Select MIPI1 ID2 5'd7: Select MIPI1 ID3 5'd8: Select MIPI2 ID0 5'd9: Select MIPI2 ID1 5'd10: Select MIPI2 ID2 5'd11: Select MIPI2 ID3 5'd12: Select MIPI3 ID0 5'd13: Select MIPI3 ID1 5'd14: Select MIPI3 ID2 5'd15: Select MIPI3 ID3 5'd16: Select MIPI4 ID0 5'd17: Select MIPI4 ID1 5'd18: Select MIPI4 ID2 5'd19: Select MIPI4 ID3 5'd20: Select MIPI5 ID0 5'd21: Select MIPI5 ID1 5'd22: Select MIPI5 ID2 5'd23: Select MIPI5 ID3 5'd24: Select DVP Others: Reserved
26:25	RW	0x0	sw_scl_mode_ch3 Scale mode for channel 3. 2'b00: 8 times scale 2'b01: 16 times scale 2'b10: 32 times scale Others: Reserved
24	RW	0x0	sw_scl_en_ch3 Enable scale channel3. 1'b0: Disable 1'b1: Enable

Bit	Attr	Reset Value	Description
23:19	RW	0x00	sw_scl_mux_ch2 5'd0: Select MIPI0 ID0 5'd1: Select MIPI0 ID1 5'd2: Select MIPI0 ID2 5'd3: Select MIPI0 ID3 5'd4: Select MIPI1 ID0 5'd5: Select MIPI1 ID1 5'd6: Select MIPI1 ID2 5'd7: Select MIPI1 ID3 5'd8: Select MIPI2 ID0 5'd9: Select MIPI2 ID1 5'd10: Select MIPI2 ID2 5'd11: Select MIPI2 ID3 5'd12: Select MIPI3 ID0 5'd13: Select MIPI3 ID1 5'd14: Select MIPI3 ID2 5'd15: Select MIPI3 ID3 5'd16: Select MIPI4 ID0 5'd17: Select MIPI4 ID1 5'd18: Select MIPI4 ID2 5'd19: Select MIPI4 ID3 5'd20: Select MIPI5 ID0 5'd21: Select MIPI5 ID1 5'd22: Select MIPI5 ID2 5'd23: Select MIPI5 ID3 5'd24: Select DVP Others: Reserved
18:17	RW	0x0	sw_scl_mode_ch2 Scale mode for channel 2. 2'b00: 8 times scale 2'b01: 16 times scale 2'b10: 32 times scale Others: Reserved
16	RW	0x0	sw_scl_en_ch2 Enable scale channel2. 1'b0: Disable 1'b1: Enable

Bit	Attr	Reset Value	Description
15:11	RW	0x00	sw_scl_mux_ch1 5'd0: Select MIPI0 ID0 5'd1: Select MIPI0 ID1 5'd2: Select MIPI0 ID2 5'd3: Select MIPI0 ID3 5'd4: Select MIPI1 ID0 5'd5: Select MIPI1 ID1 5'd6: Select MIPI1 ID2 5'd7: Select MIPI1 ID3 5'd8: Select MIPI2 ID0 5'd9: Select MIPI2 ID1 5'd10: Select MIPI2 ID2 5'd11: Select MIPI2 ID3 5'd12: Select MIPI3 ID0 5'd13: Select MIPI3 ID1 5'd14: Select MIPI3 ID2 5'd15: Select MIPI3 ID3 5'd16: Select MIPI4 ID0 5'd17: Select MIPI4 ID1 5'd18: Select MIPI4 ID2 5'd19: Select MIPI4 ID3 5'd20: Select MIPI5 ID0 5'd21: Select MIPI5 ID1 5'd22: Select MIPI5 ID2 5'd23: Select MIPI5 ID3 5'd24: Select DVP Others: Reserved
10:9	RW	0x0	sw_scl_mode_ch1 Scale mode for channel 1. 2'b00: 8 times scale 2'b01: 16 times scale 2'b10: 32 times scale Others: Reserved
8	RW	0x0	sw_scl_en_ch1 Enable scale channel1. 1'b0: Disable 1'b1: Enable

Bit	Attr	Reset Value	Description
7:3	RW	0x00	sw_scl_mux_ch0 5'd0: Select MIPI0 ID0 5'd1: Select MIPI0 ID1 5'd2: Select MIPI0 ID2 5'd3: Select MIPI0 ID3 5'd4: Select MIPI1 ID0 5'd5: Select MIPI1 ID1 5'd6: Select MIPI1 ID2 5'd7: Select MIPI1 ID3 5'd8: Select MIPI2 ID0 5'd9: Select MIPI2 ID1 5'd10: Select MIPI2 ID2 5'd11: Select MIPI2 ID3 5'd12: Select MIPI3 ID0 5'd13: Select MIPI3 ID1 5'd14: Select MIPI3 ID2 5'd15: Select MIPI3 ID3 5'd16: Select MIPI4 ID0 5'd17: Select MIPI4 ID1 5'd18: Select MIPI4 ID2 5'd19: Select MIPI4 ID3 5'd20: Select MIPI5 ID0 5'd21: Select MIPI5 ID1 5'd22: Select MIPI5 ID2 5'd23: Select MIPI5 ID3 5'd24: Select DVP Others: Reserved
2:1	RW	0x0	sw_scl_mode_ch0 Scale mode for channel 0. 2'b00: 8 times scale 2'b01: 16 times scale 2'b10: 32 times scale Others: Reserved
0	RW	0x0	sw_scl_en_ch0 Enable scale channel0. 1'b0: Disable 1'b1: Enable

**VICAP\_SCL\_CTRL**

Address: Operational Base + offset (0x0704)

Bit	Attr	Reset Value	Description
31:20	RO	0x000	reserved
19	RW	0x0	sw_dma_rst_ch3 Write 1 will reset VICAP SCALE channel 3 path dma. When this bit change to 0,dma is reseted completely.

Bit	Attr	Reset Value	Description
18	RW	0x0	sw_dma_rst_ch2 Write 1 will reset VICAP SCALE channel 2 path dma. When this bit change to 0,dma is reseted completely.
17	RW	0x0	sw_dma_rst_ch1 Write 1 will reset VICAP SCALE channel 1 path dma. When this bit change to 0,dma is reseted completely.
16	RW	0x0	sw_dma_rst_ch0 Write 1 will reset VICAP SCALE channel 0 path dma. When this bit change to 0,dma is reseted completely.
15:13	RW	0x0	sw_press_value Press value.
12	RW	0x0	sw_press_en 1'b0: Disable press 1'b1: Enable press
11:8	RO	0x0	reserved
7:5	RW	0x0	sw_hurry_value Hurry value.
4	RW	0x0	sw_hurry_en 1'b0: Disable hurry 1'b1: Enable hurry
3	RO	0x0	reserved
2:1	RW	0x0	sw_water_line 2'b00: 75% 2'b01: 50% 2'b10: 25% 2'b11: 0%
0	RO	0x0	reserved

**VICAP SCL FRAME0 ADDR CH0**

Address: Operational Base + offset (0x0708)

Bit	Attr	Reset Value	Description
31:0	RW	0x00000000	sw_frame0_addr_ch0 First address of even frame for CH0 path(must be aligned to double word).

**VICAP SCL FRAME1 ADDR CH0**

Address: Operational Base + offset (0x070C)

Bit	Attr	Reset Value	Description
31:0	RW	0x00000000	sw_frame1_addr_ch0 First address of odd frame for CH0 path(must be aligned to double word).

**VICAP SCL VLW CH0**

Address: Operational Base + offset (0x0710)

Bit	Attr	Reset Value	Description
31:20	RO	0x000	reserved
19:0	RW	0x00000	sw_vlw_ch0 Virtual line width of even frame for CH0 path(must be aligned to double word).

**VICAP\_SCL\_FRAME0\_ADDR\_CH1**

Address: Operational Base + offset (0x0714)

Bit	Attr	Reset Value	Description
31:0	RW	0x00000000	sw_frame0_addr_ch1 First address of even frame for CH1 path(must be aligned to double word).

**VICAP\_SCL\_FRAME1\_ADDR\_CH1**

Address: Operational Base + offset (0x0718)

Bit	Attr	Reset Value	Description
31:0	RW	0x00000000	sw_frame1_addr_ch1 First address of odd frame for CH1 path(must be aligned to double word).

**VICAP\_SCL\_VLW\_CH1**

Address: Operational Base + offset (0x071C)

Bit	Attr	Reset Value	Description
31:20	RO	0x000	reserved
19:0	RW	0x00000	sw_vlw_ch1 Virtual line width of even frame for CH1 path(must be aligned to double word).

**VICAP\_SCL\_FRAME0\_ADDR\_CH2**

Address: Operational Base + offset (0x0720)

Bit	Attr	Reset Value	Description
31:0	RW	0x00000000	sw_frame0_addr_ch2 First address of even frame for CH2 path(must be aligned to double word).

**VICAP\_SCL\_FRAME1\_ADDR\_CH2**

Address: Operational Base + offset (0x0724)

Bit	Attr	Reset Value	Description
31:0	RW	0x00000000	sw_frame1_addr_ch2 First address of odd frame for CH2 path(must be aligned to double word).

**VICAP\_SCL\_VLW\_CH2**

Address: Operational Base + offset (0x0728)



Bit	Attr	Reset Value	Description
31:20	RO	0x000	reserved
19:0	RW	0x00000	sw_vlw_ch2 Virtual line width of even frame for CH2 path(must be aligned to double word).

**VICAP\_SCL\_FRAME0\_ADDR\_CH3**

Address: Operational Base + offset (0x072C)

Bit	Attr	Reset Value	Description
31:0	RW	0x00000000	sw_frame0_addr_ch3 First address of even frame for CH3 path(must be aligned to double word).

**VICAP\_SCL\_FRAME1\_ADDR\_CH3**

Address: Operational Base + offset (0x0730)

Bit	Attr	Reset Value	Description
31:0	RW	0x00000000	sw_frame1_addr_ch3 First address of odd frame for CH3 path(must be aligned to double word).

**VICAP\_SCL\_VLW\_CH3**

Address: Operational Base + offset (0x0734)

Bit	Attr	Reset Value	Description
31:20	RO	0x000	reserved
19:0	RW	0x00000	sw_vlw_ch3 Virtual line width of even frame for CH3 path(must be aligned to double word).

**VICAP\_SCL\_CH0\_BLACK\_LEVEL**

Address: Operational Base + offset (0x0738)

Bit	Attr	Reset Value	Description
31:24	RW	0x00	sw_scl_ch0_black_11 The black level for scale channel0 bayer pattern 11 position.
23:16	RW	0x00	sw_scl_ch0_black_10 The black level for scale channel0 bayer pattern 10 position.
15:8	RW	0x00	sw_scl_ch0_black_01 The black level for scale channel0 bayer pattern 01 position.
7:0	RW	0x00	sw_scl_ch0_black_00 The black level for scale channel0 bayer pattern 00 position.

**VICAP\_SCL\_CH1\_BLACK\_LEVEL**

Address: Operational Base + offset (0x073C)

Bit	Attr	Reset Value	Description
31:24	RW	0x00	sw_scl_ch1_black_11 The black level for scale channel1 bayer pattern 11 position.

Bit	Attr	Reset Value	Description
23:16	RW	0x00	sw_scl_ch1_black_10 The black level for scale channel1 bayer pattern 10 position.
15:8	RW	0x00	sw_scl_ch1_black_01 The black level for scale channel1 bayer pattern 01 position.
7:0	RW	0x00	sw_scl_ch1_black_00 The black level for scale channel1 bayer pattern 00 position.

**VICAP SCL CH2 BLACK LEVEL**

Address: Operational Base + offset (0x0740)

Bit	Attr	Reset Value	Description
31:24	RW	0x00	sw_scl_ch2_black_11 The black level for scale channel2 bayer pattern 11 position.
23:16	RW	0x00	sw_scl_ch2_black_10 The black level for scale channel2 bayer pattern 10 position.
15:8	RW	0x00	sw_scl_ch2_black_01 The black level for scale channel2 bayer pattern 01 position.
7:0	RW	0x00	sw_scl_ch2_black_00 The black level for scale channel2 bayer pattern 00 position.

**VICAP SCL CH3 BLACK LEVEL**

Address: Operational Base + offset (0x0744)

Bit	Attr	Reset Value	Description
31:24	RW	0x00	sw_scl_ch3_black_11 The black level for scale channel3 bayer pattern 11 position.
23:16	RW	0x00	sw_scl_ch3_black_10 The black level for scale channel3 bayer pattern 10 position.
15:8	RW	0x00	sw_scl_ch3_black_01 The black level for scale channel3 bayer pattern 01 position.
7:0	RW	0x00	sw_scl_ch3_black_00 The black level for scale channel3 bayer pattern 00 position.

**VICAP TOISP0 CH\_CTRL**

Address: Operational Base + offset (0x0780)

Bit	Attr	Reset Value	Description
31:27	RO	0x00	reserved
26:25	RW	0x0	sw_toisp0_vc_hdr_ch_main Toisp0 vc hdr main channel.
24	RW	0x0	sw_toisp0_vc_hdr_protect Enable toisp0 vc hdr protect. 1'b0: Disable 1'b1: Enable

Bit	Attr	Reset Value	Description
23:19	RW	0x00	sw_toisp0_mux_ch2 5'd0: Select MIPI0 ID0 5'd1: Select MIPI0 ID1 5'd2: Select MIPI0 ID2 5'd3: Select MIPI0 ID3 5'd4: Select MIPI1 ID0 5'd5: Select MIPI1 ID1 5'd6: Select MIPI1 ID2 5'd7: Select MIPI1 ID3 5'd8: Select MIPI2 ID0 5'd9: Select MIPI2 ID1 5'd10: Select MIPI2 ID2 5'd11: Select MIPI2 ID3 5'd12: Select MIPI3 ID0 5'd13: Select MIPI3 ID1 5'd14: Select MIPI3 ID2 5'd15: Select MIPI3 ID3 5'd16: Select MIPI4 ID0 5'd17: Select MIPI4 ID1 5'd18: Select MIPI4 ID2 5'd19: Select MIPI4 ID3 5'd20: Select MIPI5 ID0 5'd21: Select MIPI5 ID1 5'd22: Select MIPI5 ID2 5'd23: Select MIPI5 ID3 5'd24: Select DVP Others: Reserved
18:17	RO	0x0	reserved
16	RW	0x0	sw_toisp0_en_ch2 Enable toisp0 channel2. 1'b0: Disable 1'b1: Enable

Bit	Attr	Reset Value	Description
15:11	RW	0x00	sw_toisp0_mux_ch1 5'd0: Select MIPI0 ID0 5'd1: Select MIPI0 ID1 5'd2: Select MIPI0 ID2 5'd3: Select MIPI0 ID3 5'd4: Select MIPI1 ID0 5'd5: Select MIPI1 ID1 5'd6: Select MIPI1 ID2 5'd7: Select MIPI1 ID3 5'd8: Select MIPI2 ID0 5'd9: Select MIPI2 ID1 5'd10: Select MIPI2 ID2 5'd11: Select MIPI2 ID3 5'd12: Select MIPI3 ID0 5'd13: Select MIPI3 ID1 5'd14: Select MIPI3 ID2 5'd15: Select MIPI3 ID3 5'd16: Select MIPI4 ID0 5'd17: Select MIPI4 ID1 5'd18: Select MIPI4 ID2 5'd19: Select MIPI4 ID3 5'd20: Select MIPI5 ID0 5'd21: Select MIPI5 ID1 5'd22: Select MIPI5 ID2 5'd23: Select MIPI5 ID3 5'd24: Select DVP Others: Reserved
10:9	RO	0x0	reserved
8	RW	0x0	sw_toisp0_en_ch1 Enable toisp0 channel1. 1'b0: Disable 1'b1: Enable

Bit	Attr	Reset Value	Description
7:3	RW	0x00	sw_toisp0_mux_ch0 5'd0: Select MIPI0 ID0 5'd1: Select MIPI0 ID1 5'd2: Select MIPI0 ID2 5'd3: Select MIPI0 ID3 5'd4: Select MIPI1 ID0 5'd5: Select MIPI1 ID1 5'd6: Select MIPI1 ID2 5'd7: Select MIPI1 ID3 5'd8: Select MIPI2 ID0 5'd9: Select MIPI2 ID1 5'd10: Select MIPI2 ID2 5'd11: Select MIPI2 ID3 5'd12: Select MIPI3 ID0 5'd13: Select MIPI3 ID1 5'd14: Select MIPI3 ID2 5'd15: Select MIPI3 ID3 5'd16: Select MIPI4 ID0 5'd17: Select MIPI4 ID1 5'd18: Select MIPI4 ID2 5'd19: Select MIPI4 ID3 5'd20: Select MIPI5 ID0 5'd21: Select MIPI5 ID1 5'd22: Select MIPI5 ID2 5'd23: Select MIPI5 ID3 5'd24: Select DVP Others: Reserved
2:1	RO	0x0	reserved
0	RW	0x0	sw_toisp0_en_ch0 Enable toisp0 channel0. 1'b0: Disable 1'b1: Enable

**VICAP TOISPO CROP SIZE**

Address: Operational Base + offset (0x0784)

Bit	Attr	Reset Value	Description
31:30	RO	0x0	reserved
29:16	RW	0x01e0	sw_height The expected height of received image.
15:14	RO	0x0	reserved
13:0	RW	0x02d0	sw_width The expected width of received image.

**VICAP TOISPO CROP START**

Address: Operational Base + offset (0x0788)

Bit	Attr	Reset Value	Description
31:30	RO	0x0	reserved
29:16	RW	0x0000	sw_start_y The vertical ordinate of the start point.
15:14	RO	0x0	reserved
13:0	RW	0x0000	sw_start_x The horizontal ordinate of the start point.

**VICAP TOISP1\_CH\_CTRL**

Address: Operational Base + offset (0x078C)

Bit	Attr	Reset Value	Description
31:27	RO	0x00	reserved
26:25	RW	0x0	sw_toisp1_vc_hdr_ch_main Toisp1 vc_hdr main channel.
24	RW	0x0	sw_toisp1_vc_hdr_protect Enable toisp1 vc_hdr protect. 1'b0: Disable 1'b1: Enable
23:19	RW	0x00	sw_toisp1_mux_ch2 5'd0: Select MIPI0 ID0 5'd1: Select MIPI0 ID1 5'd2: Select MIPI0 ID2 5'd3: Select MIPI0 ID3 5'd4: Select MIPI1 ID0 5'd5: Select MIPI1 ID1 5'd6: Select MIPI1 ID2 5'd7: Select MIPI1 ID3 5'd8: Select MIPI2 ID0 5'd9: Select MIPI2 ID1 5'd10: Select MIPI2 ID2 5'd11: Select MIPI2 ID3 5'd12: Select MIPI3 ID0 5'd13: Select MIPI3 ID1 5'd14: Select MIPI3 ID2 5'd15: Select MIPI3 ID3 5'd16: Select MIPI4 ID0 5'd17: Select MIPI4 ID1 5'd18: Select MIPI4 ID2 5'd19: Select MIPI4 ID3 5'd20: Select MIPI5 ID0 5'd21: Select MIPI5 ID1 5'd22: Select MIPI5 ID2 5'd23: Select MIPI5 ID3 5'd24: Select DVP Others: Reserved
18:17	RO	0x0	reserved

Bit	Attr	Reset Value	Description
16	RW	0x0	sw_toisp1_en_ch2 Enable toisp0 channel2. 1'b0: Disable 1'b1: Enable
15:11	RW	0x00	sw_toisp1_mux_ch1 5'd0: Select MIPI0 ID0 5'd1: Select MIPI0 ID1 5'd2: Select MIPI0 ID2 5'd3: Select MIPI0 ID3 5'd4: Select MIPI1 ID0 5'd5: Select MIPI1 ID1 5'd6: Select MIPI1 ID2 5'd7: Select MIPI1 ID3 5'd8: Select MIPI2 ID0 5'd9: Select MIPI2 ID1 5'd10: Select MIPI2 ID2 5'd11: Select MIPI2 ID3 5'd12: Select MIPI3 ID0 5'd13: Select MIPI3 ID1 5'd14: Select MIPI3 ID2 5'd15: Select MIPI3 ID3 5'd16: Select MIPI4 ID0 5'd17: Select MIPI4 ID1 5'd18: Select MIPI4 ID2 5'd19: Select MIPI4 ID3 5'd20: Select MIPI5 ID0 5'd21: Select MIPI5 ID1 5'd22: Select MIPI5 ID2 5'd23: Select MIPI5 ID3 5'd24: Select DVP Others: Reserved
10:9	RO	0x0	reserved
8	RW	0x0	sw_toisp1_en_ch1 Enable toisp1 channel1. 1'b0: Disable 1'b1: Enable

Bit	Attr	Reset Value	Description
7:3	RW	0x00	sw_toisp1_mux_ch0 5'd0: Select MIPI0 ID0 5'd1: Select MIPI0 ID1 5'd2: Select MIPI0 ID2 5'd3: Select MIPI0 ID3 5'd4: Select MIPI1 ID0 5'd5: Select MIPI1 ID1 5'd6: Select MIPI1 ID2 5'd7: Select MIPI1 ID3 5'd8: Select MIPI2 ID0 5'd9: Select MIPI2 ID1 5'd10: Select MIPI2 ID2 5'd11: Select MIPI2 ID3 5'd12: Select MIPI3 ID0 5'd13: Select MIPI3 ID1 5'd14: Select MIPI3 ID2 5'd15: Select MIPI3 ID3 5'd16: Select MIPI4 ID0 5'd17: Select MIPI4 ID1 5'd18: Select MIPI4 ID2 5'd19: Select MIPI4 ID3 5'd20: Select MIPI5 ID0 5'd21: Select MIPI5 ID1 5'd22: Select MIPI5 ID2 5'd23: Select MIPI5 ID3 5'd24: Select DVP Others: Reserved
2:1	RO	0x0	reserved
0	RW	0x0	sw_toisp1_en_ch0 Enable toisp1 channel0. 1'b0: Disable 1'b1: Enable

**VICAP TOISP1 CROP SIZE**

Address: Operational Base + offset (0x0790)

Bit	Attr	Reset Value	Description
31:29	RO	0x0	reserved
28:16	RW	0x01e0	sw_height The expected height of received image.
15:13	RO	0x0	reserved
12:0	RW	0x02d0	sw_width The expected width of received image.

**VICAP TOISP1 CROP START**

Address: Operational Base + offset (0x0794)



Bit	Attr	Reset Value	Description
31:29	RO	0x0	reserved
28:16	RW	0x0000	sw_start_y The vertical ordinate of the start point.
15:13	RO	0x0	reserved
12:0	RW	0x0000	sw_start_x The horizontal ordinate of the start point.

**VICAP MMU0 DTE ADDR**

Address: Operational Base + offset (0x0800)

Bit	Attr	Reset Value	Description
31:0	RW	0x00000000	mmu_dte_addr MMU current page table address.

**VICAP MMU0 STATUS**

Address: Operational Base + offset (0x0804)

Bit	Attr	Reset Value	Description
31:11	RO	0x000000	reserved
10:6	RW	0x00	page_fault_bus_id Index of master responsible for last page fault.
5	RW	0x0	page_fault_is_write The direction of access for last page fault: 1'b0: Read 1'b1: Write
4	RW	0x0	replay_buffer_empty The MMU replay buffer is empty.
3	RW	0x0	mmu_idle The MMU is idle when accesses are being translated and there are no unfinished translated accesses.
2	RW	0x0	stail_active MMU stall mode currently enabled. The mode is enabled by command.
1	RW	0x0	page_fault_active MMU page fault mode currently enabled . The mode is enabled by command.
0	RW	0x0	paging_enabled Paging is enabled.

**VICAP MMU0 COMMAND**

Address: Operational Base + offset (0x0808)

Bit	Attr	Reset Value	Description
31:3	RO	0x00000000	reserved

Bit	Attr	Reset Value	Description
2:0	RW	0x0	mmu_cmd MMU_CMD. This can be: 3'b000: MMU_ENABLE_PAGING 3'b001: MMU_DISABLE_PAGING 3'b010: MMU_ENABLE_STALL 3'b011: MMU_DISABLE_STALL 3'b100: MMU_ZAP_CACHE 3'b101: MMU_PAGE_FAULT_DONE

**VICAP MMU0 PAGE FAULT ADDR**

Address: Operational Base + offset (0x080C)

Bit	Attr	Reset Value	Description
31:0	RW	0x00000000	page_fault_addr Address of last page fault.

**VICAP MMU0 ZAP ONE LINE**

Address: Operational Base + offset (0x0810)

Bit	Attr	Reset Value	Description
31:0	RW	0x00000000	mmu_zap_one_line Address to be invalidated from the page table cache.

**VICAP MMU0 INT RAWSTAT**

Address: Operational Base + offset (0x0814)

Bit	Attr	Reset Value	Description
31:2	RO	0x00000000	reserved
1	RW	0x0	read_bus_error Read bus error.
0	RW	0x0	page_fault Page fault.

**VICAP MMU0 INT CLEAR**

Address: Operational Base + offset (0x0818)

Bit	Attr	Reset Value	Description
31:2	RO	0x00000000	reserved
1	RW	0x0	read_bus_error Read bus error.
0	RW	0x0	page_fault Page fault.

**VICAP MMU0 INT MASK**

Address: Operational Base + offset (0x081C)

Bit	Attr	Reset Value	Description
31:2	RO	0x00000000	reserved

Bit	Attr	Reset Value	Description
1	RW	0x0	read_bus_error Read bus error
0	RW	0x0	page_fault Page fault

**VICAP MMU0 INT STATUS**

Address: Operational Base + offset (0x0820)

Bit	Attr	Reset Value	Description
31:2	RO	0x00000000	reserved
1	RW	0x0	read_bus_error Read bus error.
0	RW	0x0	page_fault Page fault.

**VICAP MMU0 AUTO GATING**

Address: Operational Base + offset (0x0824)

Bit	Attr	Reset Value	Description
31:1	RO	0x00000000	reserved
0	RW	0x0	mmu_auto_gating When it is 1'b1, the mmu will auto gating it self

**VICAP MMU1 DTE ADDR**

Address: Operational Base + offset (0x0900)

Bit	Attr	Reset Value	Description
31:0	RW	0x00000000	mmu_dte_addr MMU current page table address.

**VICAP MMU1 STATUS**

Address: Operational Base + offset (0x0904)

Bit	Attr	Reset Value	Description
31:11	RO	0x000000	reserved
10:6	RW	0x00	page_fault_bus_id Index of master responsible for last page fault.
5	RW	0x0	page_fault_is_write The direction of access for last page fault: 1'b0: Read 1'b1: Write
4	RW	0x0	replay_buffer_empty The MMU replay buffer is empty.
3	RW	0x0	mmu_idle The MMU is idle when accesses are being translated and there are no unfinished translated accesses.

Bit	Attr	Reset Value	Description
2	RW	0x0	stail_active MMU stall mode currently enabled. The mode is enabled by command.
1	RW	0x0	page_fault_active MMU page fault mode currently enabled . The mode is enabled by command.
0	RW	0x0	paging_enabled Paging is enabled.

**VICAP MMU1 COMMAND**

Address: Operational Base + offset (0x0908)

Bit	Attr	Reset Value	Description
31:3	RO	0x00000000	reserved
2:0	RW	0x0	mmu_cmd MMU_CMD. This can be: 3'b000: MMU_ENABLE_PAGING 3'b001: MMU_DISABLE_PAGING 3'b010: MMU_ENABLE_STALL 3'b011: MMU_DISABLE_STALL 3'b100: MMU_ZAP_CACHE 3'b101: MMU_PAGE_FAULT_DONE

**VICAP MMU1 PAGE FAULT ADDR**

Address: Operational Base + offset (0x090C)

Bit	Attr	Reset Value	Description
31:0	RW	0x00000000	page_fault_addr Address of last page fault.

**VICAP MMU1 ZAP ONE LINE**

Address: Operational Base + offset (0x0910)

Bit	Attr	Reset Value	Description
31:0	RW	0x00000000	mmu_zap_one_line Address to be invalidated from the page table cache.

**VICAP MMU1 INT RAWSTAT**

Address: Operational Base + offset (0x0914)

Bit	Attr	Reset Value	Description
31:2	RO	0x00000000	reserved
1	RW	0x0	read_bus_error Read bus error.
0	RW	0x0	page_fault Page fault.

**VICAP MMU1 INT CLEAR**

Address: Operational Base + offset (0x0918)

Bit	Attr	Reset Value	Description
31:2	RO	0x00000000	reserved
1	RW	0x0	read_bus_error Read bus error.
0	RW	0x0	page_fault Page fault.

**VICAP MMU1 INT MASK**

Address: Operational Base + offset (0x091C)

Bit	Attr	Reset Value	Description
31:2	RO	0x00000000	reserved
1	RW	0x0	read_bus_error Read bus error
0	RW	0x0	page_fault Page fault

**VICAP MMU1 INT STATUS**

Address: Operational Base + offset (0x0920)

Bit	Attr	Reset Value	Description
31:2	RO	0x00000000	reserved
1	RW	0x0	read_bus_error Read bus error.
0	RW	0x0	page_fault Page fault.

**VICAP MMU1 AUTO GATING**

Address: Operational Base + offset (0x0924)

Bit	Attr	Reset Value	Description
31:1	RO	0x00000000	reserved
0	RW	0x0	mmu_auto_gating When it is 1'b1, the mmu will auto gating it self

**37.5 Interface Description**

Table 37-2 VICAP Interface Description

Module Pin	Dir	Pad Name	IOMUX Setting
vicap_clkout	O	CIF_CLKOUT/BT1120_D10/I2S1_SDO3_M0/PCIE30X4_CLKREQN_M1/DPO_HPDIN_M0/SPDIF0_TX_M1/UART9_TX_M1/PWM11_IR_M1/GPIO4_B4_u	BUS_IOC_GPIO4B_IOMUX_SEL_H[3:0]=4'h1
vicap_clkin	I	CIF_CLKIN/BT1120_CLKOUT/I2S1_SDI3_M0/PCIE30X2_PERSTN_M1/I2C6_SDA_M3/UART8_TX_M0/SPI2_CS1_M1/GPIO4_B0_d	BUS_IOC_GPIO4B_IOMUX_SEL_L[3:0]=4'h1
vicap_href	I	CIF_HREF/BT1120_D8/I2S1_SDO1_M0/PCIE30X1_1_BUTTON_RSTN/I2C7_SCL_M3/UART8_RTSN_M0/PWM14_M1/SPI0_CS0_M1/CAN1_RX_M1/GPIO4_B2_u	BUS_IOC_GPIO4B_IOMUX_SEL_L[11:8]=4'h1

<b>Module Pin</b>	<b>Dir</b>	<b>Pad Name</b>	<b>IOMUX Setting</b>
vicap_vsync	I	CIF_VSYNC/BT1120_D9/I2S1_SDO2_M0/PCIE20X1_2_BUTTON_RSTN/I2C7_SDA_M3/UART8_CTSN_M0/PWM15_IR_M1/CAN1_TX_M1/GPIO4_B3_u	BUS_IOC_GPIO4B_IOMUX_SEL_L[15:12]=4'h1
vicap_data0	I	CIF_D0/BT1120_D0/I2S1_MCLK_M0/PCIE30X1_1_CLKREQN_M1/UART9_RTSN_M1/SPI0_MISO_M1/GPIO4_A0_d	BUS_IOC_GPIO4A_IOMUX_SEL_L[3:0]=4'h1
vicap_data1	I	CIF_D1/BT1120_D1/I2S1_SCLK_M0/PCIE30X1_1_WAKEN_M1/UART9_CTSN_M1/SPI0_MOSI_M1/GPIO4_A1_d	BUS_IOC_GPIO4A_IOMUX_SEL_L[7:4]=4'h1
vicap_data2	I	CIF_D2/BT1120_D2/I2S1_LRCK_M0/PCIE30X1_1_PERSTN_M1/SPI0_CLK_M1/GPIO4_A2_d	BUS_IOC_GPIO4A_IOMUX_SEL_L[11:8]=4'h1
vicap_data3	I	CIF_D3/BT1120_D3/PCIE30X1_0_CLKREQN_M1/UART0_TX_M2/GPIO4_A3_d	BUS_IOC_GPIO4A_IOMUX_SEL_L[15:12]=4'h1
vicap_data4	I	CIF_D4/BT1120_D4/PCIE30X1_0_WAKEN_M1/I2C3_SCL_M2/UART0_RX_M2/SPI2_MISO_M1/GPIO4_A4_d	BUS_IOC_GPIO4A_IOMUX_SEL_H[3:0]=4'h1
vicap_data5	I	CIF_D5/BT1120_D5/I2S1_SDI0_M0/PCIE30X1_0_PERSTN_M1/I2C3_SDA_M2/UART3_TX_M2/SPI2_MOSI_M1/GPIO4_A5_d	BUS_IOC_GPIO4A_IOMUX_SEL_H[7:4]=4'h1
vicap_data6	I	CIF_D6/BT1120_D6/I2S1_SDI1_M0/PCIE30X2_CLKREQN_M1/I2C5_SCL_M2/UART3_RX_M2/SPI2_CLK_M1/GPIO4_A6_d	BUS_IOC_GPIO4A_IOMUX_SEL_H[11:8]=4'h1
vicap_data7	I	CIF_D7/BT1120_D7/I2S1_SDI2_M0/PCIE30X2_WAKEN_M1/I2C5_SDA_M2/SPI2_CS0_M1/GPIO4_A7_d	BUS_IOC_GPIO4A_IOMUX_SEL_H[15:12]=4'h1
vicap_data8	I	CIF_D8/FSPI_CS0N_M2/PCIE30X4_CLKREQN_M2/HDMI_TX1_CEC_M2/CAN2_RX_M0/UART5_TX_M1/SPI3_CS0_M3/GPIO3_C4_u	BUS_IOC_GPIO3C_IOMUX_SEL_H[3:0]=4'h1
vicap_data9	I	CIF_D9/FSPI_CS1N_M2/PCIE30X4_WAKEN_M2/HDMI_I_TX1_SDA_M1/CAN2_TX_M0/UART5_RX_M1/SPI3_CS1_M3/GPIO3_C5_u	BUS_IOC_GPIO3C_IOMUX_SEL_H[7:4]=4'h1
vicap_data10	I	CIF_D10/PCIE30X4_PERSTN_M2/HDMI_TX1_SCL_M1/SPI3_MISO_M3/GPIO3_C6_u	BUS_IOC_GPIO3C_IOMUX_SEL_H[11:8]=4'h1
vicap_data11	I	CIF_D11/PCIE20X1_2_CLKREQN_M0/HDMI_TX0_SCL_M2/I2C5_SCL_M0/SPI3_MOSI_M3/GPIO3_C7_u	BUS_IOC_GPIO3C_IOMUX_SEL_H[15:12]=4'h1
vicap_data12	I	CIF_D12/PCIE20X1_2_WAKEN_M0/HDMI_TX0_SDA_M2/I2C5_SDA_M0/UART4_RX_M1/PWM8_M2/SPI3_CLK_M3/GPIO3_D0_u	BUS_IOC_GPIO3D_IOMUX_SEL_L[3:0]=4'h1
vicap_data13	I	CIF_D13/PCIE20X1_2_PERSTN_M0/HDMI_RX_CEC_M1/UART4_TX_M1/PWM9_M2/SPI0_MISO_M3/GPIO3_D1_d	BUS_IOC_GPIO3D_IOMUX_SEL_L[7:4]=4'h1

Module Pin	Dir	Pad Name	IOMUX Setting
vicap_data14	I	CIF_D14/PCIE30X2_CLKREQN_M2/HDMI_RX_SCL_M1/I2C7_SCL_M2/UART9_RTSN_M2/SPI0_MOSI_M3/GPIO3_D2_d	BUS_IOC_GPIO3D_IOMUX_SEL_L[11:8]=4'h1
vicap_data15	I	CIF_D15/PCIE30X2_WAKEN_M2/HDMI_RX_SDA_M1/I2C7_SDA_M2/UART9_CTSN_M2/PWM10_M2/SPI0_CLK_M3/GPIO3_D3_d	BUS_IOC_GPIO3D_IOMUX_SEL_L[15:12]=4'h1

Notes: I=input, O=output, I/O=input/output, bidirectional

Furthermore, different IOs are selected and connected to different flash interface, which is shown as follows.

## 37.6 Application Notes

### 37.6.1 DVP Interface

- The MSB 4 bits of SAV/EAV of BT.656/BT.1120 are configurable, and the default values of SAV/EAV abide by the agreement.
- The `sw_only_sav_mode` for BT.656/BT.1120 is more robust for the case that the EAV is wrong.
- User can read the register of `ro_sync_header_0~ro_sync_header_7` to obtain the recent 8 SAV/EAV.
- In the multi-ID mode the LSB 4 bits of SAV/EAV are used to distinguish ID. In most cases the LSB 2 bits of SAV/EAV are ID number, in these cases the register `sw_chid_bit_en` should be configured as 4'h3.
- The register `sw_yuyv_in_order` should be configured correctly. In the BT.1120 case 2'h0/2'h2 are the same for UV sequence and 2'h1/2'h3 are the same for VU sequence.
- In the dual-edge sampling case, the `SYS_GRP_SOC_CON2[5]` must be set to 1, and the register `sw_dualedge_en` must be set to 1. The clock phase could be adjusted by setting the `SYS_GRP_SOC_CON3[7:0]`.

### 37.6.2 MIPI Interface

- The register `sw_crop_en` is suggested to be set to 1. The register `sw_width/sw_start_x` should be aligned to 4.
- In the sony identification code `hdr` mode, the register `sw_sony_effect_code0/1` should be configured correctly according to the camera manual.
- In the line counter `hdr` mode, the register `sw_on_pad_value` should be configured correctly according to the camera manual.
- In the VC `hdr` mode, the register `sw_vc_hdr_protect` is suggested to be set to 1, and the register `sw_vc_hdr_id_main` should be configured as the first coming id that is the long exposure frame id.
- The register `sw_cap_en_idx` is recommended for static configuration, and the register `sw_cap_en` is recommended for dynamic configuration.

### 37.6.3 Scale down

- The register `sw_scl_chx_black_00/01/10/11` is the black level value for bayer pattern 00/01/10/11 position.
- The bit width of scale down output data is 16. When the max bit width of the scale down output data exceed 16, output data will be clipped. For example, 8 times scale down for RAW12, the bit width is 18, then the result will be clipped to 16 bits.
- When the width is not a multiple of double scale down times, then the result will be rounded up to an integer. For example, the image width is 4656 and 32 times scaling down is performed, the result width equals to  $(\text{ceil}(4656/64)*64)/32$ .
- When the height is not a multiple of double scale down times, then the result will be rounded down to an integer. For example, the image height is 1080 and 8 times scaling down is performed, the result height equals to  $(\text{floor}(1080/16)*16)/8$ .

### 37.6.4 TOISP

- The register `sw_width/sw_start_x` should be aligned to 4.
- Although there are three channels to ISP, user just need enable channel 0 and select the short exposure frame id.

**37.6.5 DMA**

- The start address/virtual stride should be aligned to 8 at least. And being aligned to 64 is good for DDR.
- User could shut down DMA transferring by setting the register `sw_dma_en` to 0.
- User could set `sw_hurry_en/sw_press_en` to 1 for dynamic adjusting the priority of VICAP. And the register `sw_water_line` is the triggering condition of pulling up hurry/press signal.
- For DVP path the register `sw_yuyv_out_order` is effective when the register `sw_wrddr_type` is NV16/NV12/YUYV. And in the NV16/NV12 case, 2'h0/2'h2 are the same for UV sequence and 2'h1/2'h3 are the same for VU sequence.
- For MIPI path the register `sw_yuyv_out_order` is effective when the register `sw_wrddr_type` is YUYV. And in the NV16/NV12 case, `sw_yuyv_out_order` need to be configured as the same as `sw_yuyv_in_order`.
- There are two modes for line counter interrupt. In one-time mode, if `line_int_num = 100`, the `line_intst` will be 1 when receive 100th line. In circular mode, if `line_int_num = 100`, the `line_intst` will be 1 when receive 100th line 200th line 300th line.....
- There are two AXI masters and two MMUs in VICAP. The AXI\_0/MMU\_0 are used for MIPI\_0/MIPI\_2/MIPI\_5/SCALE, and the AXI\_1/MMU\_1 are used for MIPI\_1/MIPI\_3/MIPI\_4/DVP.

**37.6.6 Reset**

- DMA will be auto-reset when DMA goes wrong, for example fifo overflow. And DMA will transfer data from the next frame.
- DMA also could be soft-reset by the register `sw_dma_rst`.
- User could reset the entire data path (interface/dma) by setting the register `sw_soft_rst` to 1. And the scale/toisp module will be reset if the `sw_scl_mux/sw_toisp_mux` is setted to choose the path.





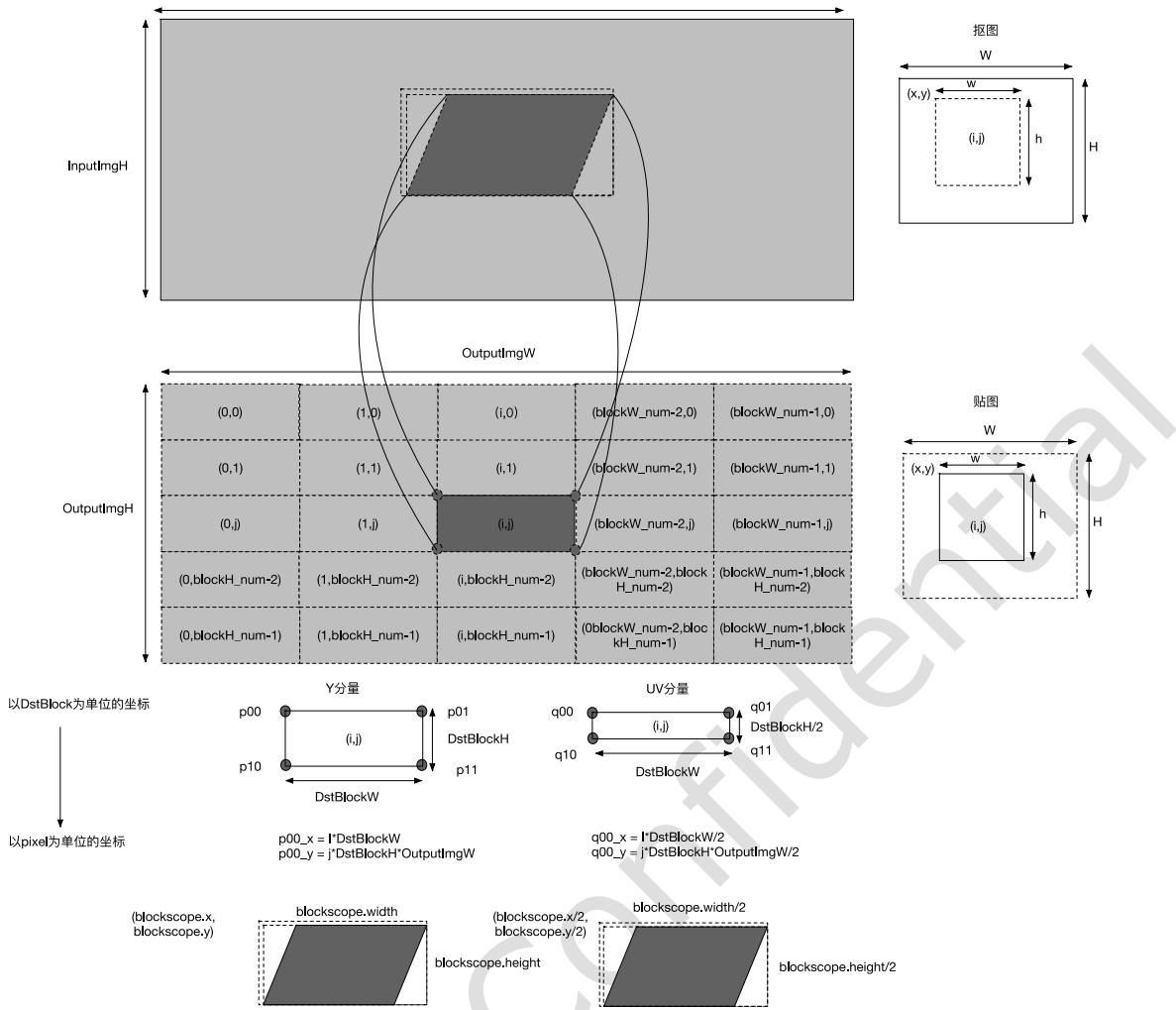


Fig. 38-2 FEC function description

- 1、 You need to align the resolution to 32x32 firstly, and then down-sample according to the meshgrid density of 16x8 or 32x16
- 2、 Decimals meshgrid and integer meshgrid are stored separately, and the address must aligned to 16B
- 3、 And due to the pixel scan, in order to achieve the maximum efficiency of using the grid, the meshgrid timing needs to be overlapped, according to the 32x128 block, as shown in the following figure:

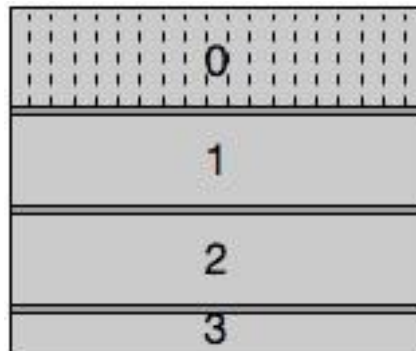


Fig. 38-3 FEC meshgrid overlap

- 4、 Consistent with the pixel scanning, the meshgrid can be used with maximum efficiency

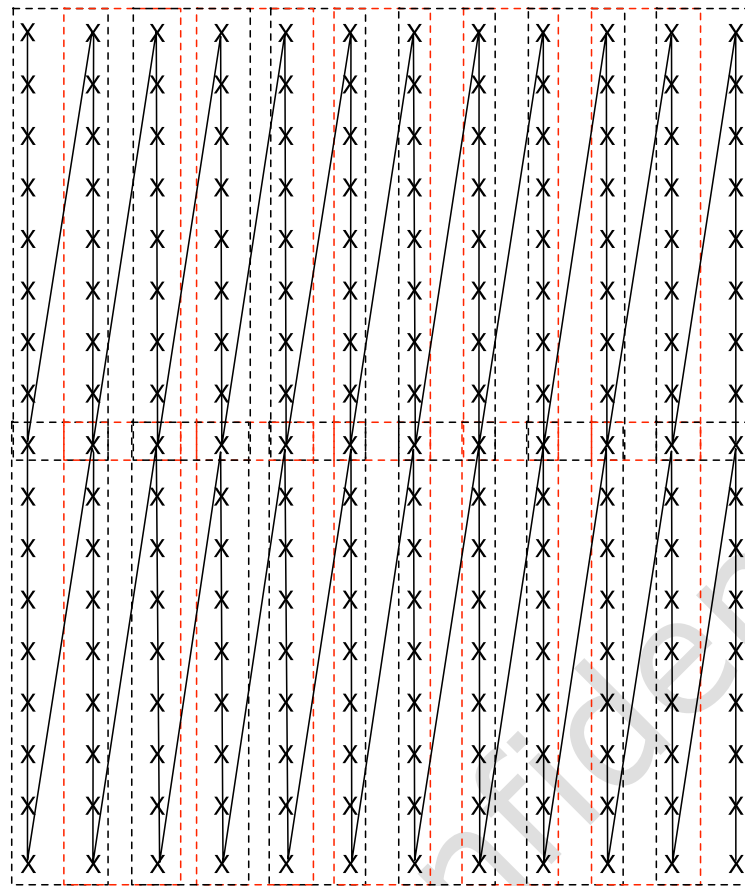


Fig. 38-4 FEC meshgrid order in DDR

## 38.4 Register Description

### 38.4.1 Registers Summary

Name	Offset	Size	Reset Value	Description
<u>FEC ISPP_START</u>	0x0000	W	0x00000000	ISPP command start
<u>FEC ISPP_UPDATE</u>	0x0004	W	0x00000004	ISPP register force update
<u>FEC ISPP_RESET</u>	0x000C	W	0x00000000	ISPP soft reset
<u>FEC ISPP_CLKGATE</u>	0x0010	W	0x00000000	FEC clock gating
<u>FEC INT_MSK</u>	0x0020	W	0x00000000	Interrupt mask
<u>FEC INT_RAW</u>	0x0024	W	0x00000000	Interrupt raw status
<u>FEC INT_STA</u>	0x0028	W	0x00000000	Interrupt status
<u>FEC INT_SET</u>	0x002C	W	0x00000000	Interrupt enable
<u>FEC INT_CLR</u>	0x0030	W	0x00000000	Interrupt clear
<u>FEC ISPP_STATUS</u>	0x0054	W	0x00000000	ISPP status register
<u>FEC_MI_CTRL</u>	0x0C00	W	0x00004000	Memory interface control
<u>FEC_RD_VIR_STRIDE</u>	0x0C04	W	0x00000000	FEC RD virtual stride, 16B aligned, word unit
<u>FEC_RD_Y_BASE</u>	0x0C08	W	0x00000000	FEC DMA read y base address, 16B aligned
<u>FEC_RD_UV_BASE</u>	0x0C0C	W	0x00000000	FEC DMA read uv base address, 16B aligned

<b>Name</b>	<b>Offset</b>	<b>Size</b>	<b>Reset Value</b>	<b>Description</b>
<u>FEC_MESH_XINT_BASE</u>	0x0C10	W	0x00000000	FEC mesh x integer base address, 16B aligned
<u>FEC_MESH_XFRA_BASE</u>	0x0C14	W	0x00000000	FEC mesh x fraction base address, 16B aligned
<u>FEC_MESH_YINT_BASE</u>	0x0C18	W	0x00000000	FEC mesh y integer base address, 16B aligned
<u>FEC_MESH_YFRA_BASE</u>	0x0C1C	W	0x00000000	FEC mesh y fraction base address, 16B aligned
<u>FEC_WR_VIR_STRIDE</u>	0x0C20	W	0x00000000	FEC write virtual stride, 16B aligned, word unit
<u>FEC_WR_Y_BASE</u>	0x0C24	W	0x00000000	FEC DMA write y base address, 16B aligned
<u>FEC_WR_UV_BASE</u>	0x0C28	W	0x00000000	FEC DMA write uv base address, 16B aligned
<u>FEC_RD_Y_BASE_SHD</u>	0x0C2C	W	0x00000000	FEC DMA read y base address shadow, 16B aligned
<u>FEC_RD_UV_BASE_SHD</u>	0x0C30	W	0x00000000	FEC DMA read uv base address shadow, 16B aligned
<u>FEC_MESH_XINT_BASE_SHD</u>	0x0C34	W	0x00000000	FEC DMA read x integer base address shadow, 16B aligned
<u>FEC_MESH_XFRA_BASE_SHD</u>	0x0C38	W	0x00000000	FEC DMA read x fraction base address shadow, 16B aligned
<u>FEC_MESH_YINT_BASE_SHD</u>	0x0C3C	W	0x00000000	FEC DMA read y integer base address shadow, 16B aligned
<u>FEC_MESH_YFRA_BASE_SHD</u>	0x0C40	W	0x00000000	FEC DMA read y fraction base address shadow, 16B aligned
<u>FEC_WR_Y_BASE_SHD</u>	0x0C44	W	0x00000000	FEC DMA write y base address shadow, 16B aligned
<u>FEC_WR_UV_BASE_SHD</u>	0x0C48	W	0x00000000	FEC DMA write uv base address shadow, 16B aligned
<u>FEC_AR_QOS_CTRL</u>	0x0C54	W	0x00000030	FEC read qos control
<u>FEC_CORE_CTRL</u>	0x0C80	W	0x00000000	FEC core control
<u>FEC_DST_SIZE</u>	0x0C88	W	0x00000000	FEC destination size
<u>FEC_MESH_SIZE</u>	0x0C8C	W	0x00000000	FEC mesh size
<u>FEC_DMA_STATUS</u>	0x0C90	W	0x00000000	FEC DMA status
<u>FEC_SRC_SIZE</u>	0x0C98	W	0x00000000	FEC source size
<u>FEC_MMU_DTE_ADDR</u>	0x0F00	W	0x00000000	MMU current page Table address
<u>FEC_MMU_STATUS</u>	0x0F04	W	0x00000018	MMU status
<u>FEC_MMU_COMMAND</u>	0x0F08	W	0x00000000	MMU command
<u>FEC_MMU_PAGE_FAULT_ADDR</u>	0x0F0C	W	0x00000000	MMU address of last page fault
<u>FEC_MMU_ZAP_ONE_LINE</u>	0x0F10	W	0x00000000	MMU address to be invalidated from the page table cache

Name	Offset	Size	Reset Value	Description
<u>FEC MMU INT RAWSTAT</u>	0x0F14	W	0x00000000	MMU raw interrupt
<u>FEC MMU INT CLEAR</u>	0x0F18	W	0x00000000	MMU interrupt clear
<u>FEC MMU INT MASK</u>	0x0F1C	W	0x00000000	MMU interrupt mask
<u>FEC MMU INT STATUS</u>	0x0F20	W	0x00000000	MMU interrupt status
<u>FEC MMU AUTO GATING</u>	0x0F24	W	0x00000003	MMU auto gating
<u>FEC MMU REG LOAD EN</u>	0x0F28	W	0x00000000	MMU register load enable

Notes: **Size:** **B**- Byte (8 bits) access, **HW**- Half WORD (16 bits) access, **W**-WORD (32 bits) access

### 38.4.2 Detail Register Description

#### **FEC ISPP START**

Address: Operational Base + offset (0x0000)

Bit	Attr	Reset Value	Description
31:3	RO	0x00000000	reserved
2	W1 C	0x0	sw_fec_st ISPP command start
1:0	RO	0x0	reserved

#### **FEC ISPP UPDATE**

Address: Operational Base + offset (0x0004)

Bit	Attr	Reset Value	Description
31:3	RO	0x00000000	reserved
2	W1 C	0x1	sw_cfg_force_upd ISPP register force update for FEC
1:0	RO	0x0	reserved

#### **FEC ISPP RESET**

Address: Operational Base + offset (0x000C)

Bit	Attr	Reset Value	Description
31:22	RO	0x000	reserved
21:16	RW	0x00	sw_glb_init_dis Hardware will reset automatically at frame start if the module Corresponding bit set to 0
15:12	RO	0x0	reserved
11:8	RW	0x0	sys_reg_msoft_rst Scale hardware will reset automatically at frame start if the module Corresponding bit set to 0
7:2	RO	0x00	reserved
1	RW	0x0	sw_rst_protect_dis Safety reset select 1'b0: Protect reset 1'b1: Direct reset
0	W1 C	0x0	sw_glb_soft_rst_all FEC soft reset with self-clear

**FEC ISPP CLKGATE**

Address: Operational Base + offset (0x0010)

Bit	Attr	Reset Value	Description
31:6	RO	0x0000000	reserved
5	RW	0x0	sw_glb_ckg_dis Global clk gate_dis
4:0	RO	0x00	reserved

**FEC INT MSK**

Address: Operational Base + offset (0x0020)

Bit	Attr	Reset Value	Description
31:9	RO	0x0000000	reserved
8	RW	0x0	bound_cross_p FEC bound cross buffer interrupt mask 1'b0: Mask 1'b1: Not mask
7	RW	0x0	sw_fec_frame_end FEC frame end interrupt mask 1'b0: Mask 1'b1: Not mask
6:4	RO	0x0	reserved
3	RW	0x0	esp_fifo_full_err FEC rdata fifo write error when full interrupt mask 1'b0: Mask 1'b1: Not mask
2:0	RO	0x0	reserved

**FEC INT RAW**

Address: Operational Base + offset (0x0024)

Bit	Attr	Reset Value	Description
31:9	RO	0x0000000	reserved
8	RO	0x0	bound_cross_p FEC bound cross buffer interrupt raw status
7	RO	0x0	sw_fec_frame_end FEC frame end interrupt raw status
6:4	RO	0x0	reserved
3	RO	0x0	esp_fifo_full_err FEC rdata fifo write error when full raw status
2:0	RO	0x0	reserved

**FEC INT STA**

Address: Operational Base + offset (0x0028)

Bit	Attr	Reset Value	Description
31:9	RO	0x0000000	reserved

Bit	Attr	Reset Value	Description
8	RO	0x0	bound_cross_p FEC bound cross buffer interrupt status
7	RO	0x0	sw_fec_frame_end FEC frame end interrupt status
6:4	RO	0x0	reserved
3	RO	0x0	esp_fifo_full_err FEC rdata fifo write error when full interrupt status
2:0	RO	0x0	reserved

**FEC INT SET**

Address: Operational Base + offset (0x002C)

Bit	Attr	Reset Value	Description
31:9	RO	0x000000	reserved
8	W1 C	0x0	bound_cross_p FEC bound cross buffer interrupt set 1'b0: Disable 1'b1: Enable
7	W1 C	0x0	sw_fec_frame_end FEC frame end interrupt set 1'b0: Disable 1'b1: Enable
6:4	RO	0x0	reserved
3	W1 C	0x0	esp_fifo_full_err FEC rdata fifo write error when full interrupt set 1'b0: Disable 1'b1: Enable
2:0	RO	0x0	reserved

**FEC INT CLR**

Address: Operational Base + offset (0x0030)

Bit	Attr	Reset Value	Description
31:9	RO	0x000000	reserved
8	W1 C	0x0	bound_cross_p FEC bound cross buffer interrupt clear 1'b0: Not clear 1'b1: Clear
7	W1 C	0x0	sw_fec_frame_end FEC frame end interrupt clear 1'b0: Not clear 1'b1: Clear
6:4	RO	0x0	reserved
3	W1 C	0x0	esp_fifo_full_err FEC rdata fifo write error when full interrupt clear 1'b0: Not clear 1'b1: Clear

Bit	Attr	Reset Value	Description
2:0	RO	0x0	reserved

**FEC ISPP STATUS**

Address: Operational Base + offset (0x0054)

Bit	Attr	Reset Value	Description
31:23	RO	0x000	reserved
22:16	RO	0x00	fec_tile_lint_cnt FEC tile line counter
15:0	RO	0x0000	reserved

**FEC MI CTRL**

Address: Operational Base + offset (0x0C00)

Bit	Attr	Reset Value	Description
31:20	RO	0x000	reserved
19:14	RW	0x01	sw_fec_rd_level_i FEC read level
13	RW	0x0	sw_fec_rd_opt_dis FEC read option disable
12	RW	0x0	sw_fec_fbce_sparse_mode FEC fbce mode sparse_en
11:9	RO	0x0	reserved
8	RW	0x0	sw_fec_wr_yuv_limit FEC write YUV limit
7	RW	0x0	sw_fec_wr_yuyv_ycswap FEC write to DDR y/c swap 1'b0: Y/C do not swap 1'b1: Y/C swap
6	RW	0x0	sw_fec_wr_yuyv_format FEC write to DDR format 1'b0: YUV422 not YUYV format 1'b1: YUV422 YUYV forma
5	RW	0x0	sw_fec_wr_yuv_fmt FEC write YUV format 1'b0: YUV420 1'b1: YUV422
4	RW	0x0	sw_fec_wr_fbce_mode FEC write to DDR mode 1'b0: Raster mode 1'b1: FBCE mode
3	RW	0x0	sw_fec_rd_yuyv_ycswap FEC read y/c swap 1'b0: Y/C do not swap 1'b1: Y/C swap



Bit	Attr	Reset Value	Description
2	RW	0x0	sw_fec_rd_yuyv_format FEC read YUYV format 1'b0: 422 non YUYV format 1'b1: 422 YUYV format
1	RW	0x0	sw_fec_rd_yuv_format FEC read YUV format 1'b0: YUV420 1'b1: YUV422
0	RO	0x0	reserved

**FEC RD VIR STRIDE**

Address: Operational Base + offset (0x0C04)

Bit	Attr	Reset Value	Description
31:13	RO	0x00000	reserved
12:0	RW	0x0000	sw_fec_rd_vir_stride FEC RD virtual stride, 16B aligned, word unit

**FEC RD Y BASE**

Address: Operational Base + offset (0x0C08)

Bit	Attr	Reset Value	Description
31:0	RW	0x00000000	sw_fec_rd_y_base FEC DMA read y base address, 16B aligned

**FEC RD UV BASE**

Address: Operational Base + offset (0x0C0C)

Bit	Attr	Reset Value	Description
31:0	RW	0x00000000	sw_fec_rd_uv_base FEC DMA read uv base address, 16B aligned

**FEC MESH XINT BASE**

Address: Operational Base + offset (0x0C10)

Bit	Attr	Reset Value	Description
31:0	RW	0x00000000	sw_fec_mesh_xint_base FEC mesh x integer base address, 16B aligned

**FEC MESH XFRA BASE**

Address: Operational Base + offset (0x0C14)

Bit	Attr	Reset Value	Description
31:0	RW	0x00000000	sw_fec_mesh_xfra_base FEC mesh x fraction base address, 16B aligned

**FEC MESH YINT BASE**

Address: Operational Base + offset (0x0C18)

Bit	Attr	Reset Value	Description
31:0	RW	0x00000000	sw_fec_mesh_yint_base FEC mesh y integer base address, 16B aligned

**FEC MESH YFRA BASE**

Address: Operational Base + offset (0x0C1C)

Bit	Attr	Reset Value	Description
31:0	RW	0x00000000	sw_mesh_yfra_base FEC mesh y fraction base address, 16B aligned

**FEC WR VIR STRIDE**

Address: Operational Base + offset (0x0C20)

Bit	Attr	Reset Value	Description
31:13	RO	0x00000	reserved
12:0	RW	0x0000	sw_fec_wr_vir_stride FEC write virtual stride, 16B aligned, word unit

**FEC WR Y BASE**

Address: Operational Base + offset (0x0C24)

Bit	Attr	Reset Value	Description
31:0	RW	0x00000000	sw_fec_wr_y_base FEC DMA write y base address, 16B aligned

**FEC WR UV BASE**

Address: Operational Base + offset (0x0C28)

Bit	Attr	Reset Value	Description
31:0	RW	0x00000000	sw_fec_wr_uv_base FEC DMA write uv base address, 16B aligned

**FEC RD Y BASE SHD**

Address: Operational Base + offset (0x0C2C)

Bit	Attr	Reset Value	Description
31:0	RO	0x00000000	sw_fec_rd_y_base_shd FEC DMA read y base address shadow, 16B aligned

**FEC RD UV BASE SHD**

Address: Operational Base + offset (0x0C30)

Bit	Attr	Reset Value	Description
31:0	RO	0x00000000	sw_fec_rd_uv_base_shd FEC DMA read uv base address shadow, 16B aligned

**FEC MESH XINT BASE SHD**

Address: Operational Base + offset (0x0C34)

Bit	Attr	Reset Value	Description
31:0	RO	0x00000000	sw_fec_mesh_xint_base_shd FEC DMA read x integer base address shadow, 16B aligned

**FEC MESH XFRA BASE SHD**

Address: Operational Base + offset (0x0C38)

Bit	Attr	Reset Value	Description
31:0	RO	0x00000000	sw_fec_mesh_xfra_base_shd FEC DMA read x fraction base address shadow, 16B aligned

**FEC MESH YINT BASE SHD**

Address: Operational Base + offset (0x0C3C)

Bit	Attr	Reset Value	Description
31:0	RO	0x00000000	sw_fec_mesh_yint_base_shd FEC DMA read y integer base address shadow, 16B aligned

**FEC MESH YFRA BASE SHD**

Address: Operational Base + offset (0x0C40)

Bit	Attr	Reset Value	Description
31:0	RO	0x00000000	sw_fec_mesh_yfra_base_shd FEC DMA read y fraction base address shadow, 16B aligned

**FEC WR Y BASE SHD**

Address: Operational Base + offset (0x0C44)

Bit	Attr	Reset Value	Description
31:0	RW	0x00000000	sw_fec_wr_y_base_shd FEC DMA write y base address shadow, 16B aligned

**FEC WR UV BASE SHD**

Address: Operational Base + offset (0x0C48)

Bit	Attr	Reset Value	Description
31:0	RO	0x00000000	sw_fec_wr_uv_base_shd FEC DMA write uv base address shadow, 16B aligned

**FEC AR QOS CTRL**

Address: Operational Base + offset (0x0C54)

Bit	Attr	Reset Value	Description
31:11	RO	0x000000	reserved
10:8	RW	0x0	sw_noc_hurry_value FEC AXI read hurry enable
7	RO	0x0	reserved
6:4	RW	0x3	sw_fec_ar_mmu_qos FEC AXI read qos value
3:1	RO	0x0	reserved

Bit	Attr	Reset Value	Description
0	RW	0x0	sw_fec_ar_qos_en FEC AXI read qos enable 1'b0: Disable 1'b1: Enable

**FEC CORE CTRL**

Address: Operational Base + offset (0x0C80)

Bit	Attr	Reset Value	Description
31	RO	0x0	sw_fec_en_shd FEC enable shadow
30	RO	0x0	sw_minbuf_non_update_shd Mesh inbuf no update shadow
29:9	RO	0x000000	reserved
8	RW	0x0	sw_fec_cross_dis FEC cross buffer disable 1'b0: FEC cross buffer enable 1'b1: FEC do not cross buffer
7	RO	0x0	reserved
6	RW	0x0	sw_minbuf_non_update Mesh inbuf no update 1'b0: Mesh update current frame 1'b1: Mesh no update current frame
5	RW	0x0	sw_mesh_density Mesh density 1'b0: 16x8 mesh density 1'b1: 32x16 mesh density
4:3	RW	0x0	sw_fec_bic_mode Bicubic mode 2'b00: Precise 2'b01: Spline 2'b10: Catrom 2'b11: Mitchell
2	RO	0x0	reserved
1	RW	0x0	sw_fec2ddr_dis FEC2DDR disable control bit 1'b0: Data write to DDR 1'b1: Data do not write to DDR
0	RW	0x0	sw_fec_en FEC enable 1'b0: Disable 1'b1: Enable

**FEC DST SIZE**

Address: Operational Base + offset (0x0C88)

Bit	Attr	Reset Value	Description
31:29	RO	0x0	reserved
28:16	RW	0x0000	sw_fec_dst_height FEC destination height
15:13	RO	0x0	reserved
12:0	RW	0x0000	sw_fec_dst_width FEC destination width

**FEC MESH SIZE**

Address: Operational Base + offset (0x0C8C)

Bit	Attr	Reset Value	Description
31:22	RO	0x000	reserved
21:0	RW	0x000000	sw_mesh_size FEC mesh size act_width_ex = $32 * ((sw\_fec\_act\_width + 31) / 32)$ act_height_ex = $32 * ((sw\_fec\_act\_height + 31) / 32)$ spb_num = $(act\_height\_x + 127) / 128$ left_height = $((act\_height\_ex \% 128) == 0) ? 128 : (act\_height\_ex \% 128)$ mesh_width = $(sw\_fec\_mesh\_density == 1) ? (act\_width\_ex / 32 + 1) : (act\_width\_ex / 16 + 1)$ mesh_height = $(sw\_fec\_mesh\_density == 1) ? (128 / 16 + 1) : (128 / 8 + 1)$ mesh_left_height = $(sw\_fec\_mesh\_density == 1) ? (left\_height / 16 + 1) : (left\_height / 8 + 1)$ spb_mesh_size = mesh_width * mesh_height mesh_size = $(spb\_num - 1) * mesh\_width * mesh\_height + mesh\_width * mesh\_left\_height$

**FEC DMA STATUS**

Address: Operational Base + offset (0x0C90)

Bit	Attr	Reset Value	Description
31:14	RO	0x00000	reserved
13	RO	0x0	bound_v_err FEC bound vertical error
12	RO	0x0	bound_h_err FEC bound horizontal error
11	RO	0x0	blkline_err_v FEC blockline vertical error
10	RO	0x0	blkline_err_h FEC blockline horizontal error
9	RO	0x0	blk_err_v FEC blockline vertical error
8	RO	0x0	blk_err_h FEC block horizontal error

Bit	Attr	Reset Value	Description
7	RO	0x0	pbuf_pp_fail FEC pixel buffer ping-pong switch fail
6	RO	0x0	minbuf_pp_fail FEC mesh buffer ping-pong switch fail
5	RO	0x0	reserved
4	RO	0x0	pic_dma_active FEC Pixel DMA active 1'b0: DMA is not working 1'b1: DMA is working
3	RO	0x0	reserved
2	RO	0x0	mesh_y_dma_active FEC MESH Y DMA active 1'b0: DMA is not working 1'b1: DMA is working
1	RO	0x0	reserved
0	RO	0x0	mesh_x_dma_active FEC MESH X DMA active 1'b0: DMA is not working 1'b1: DMA is working

**FEC SRC SIZE**

Address: Operational Base + offset (0x0C98)

Bit	Attr	Reset Value	Description
31:29	RO	0x0	reserved
28:16	RW	0x0000	sw_fec_src_height FEC source height
15:13	RO	0x0	reserved
12:0	RW	0x0000	sw_fec_src_width FEC source width

**FEC MMU DTE\_ADDR**

Address: Operational Base + offset (0x0F00)

Bit	Attr	Reset Value	Description
31:4	RW	0x0000000	MMU_DTE_ADDR MMU current page Table address
3:0	RO	0x0	reserved

**FEC MMU STATUS**

Address: Operational Base + offset (0x0F04)

Bit	Attr	Reset Value	Description
31:11	RO	0x0000000	reserved
10:6	RO	0x00	PAGE_FAULT_BUS_ID Index of master responsible for last page fault

Bit	Attr	Reset Value	Description
5	RO	0x0	PAGE_FAULT_IS_WRITE The direction of access for last page fault: 1'b0: Read 1'b1: Write
4	RO	0x1	REPLAY_BUFFER_EMPTY The MMU replay buffer is empty
3	RO	0x1	MMU_IDLE The MMU is idle when accesses are being translated and there are no unfinished translated accesses
2	RO	0x0	STAIL_ACTIVE MMU stall mode currently enabled. The mode is enabled by command
1	RO	0x0	PAGE_FAULT_ACTIVE MMU page fault mode currently enabled. The mode is enabled by command
0	RO	0x0	PAGING_ENABLED Paging is enabled

**FEC MMU COMMAND**

Address: Operational Base + offset (0x0F08)

Bit	Attr	Reset Value	Description
31:3	RO	0x00000000	reserved
2:0	WO	0x0	MMU_CMD MMU_CMD. This can be: 3'b000: MMU_ENABLE_PAGING 3'b001: MMU_DISABLE_PAGING 3'b010: MMU_ENABLE_STALL 3'b011: MMU_DISABLE_STALL 3'b100: MMU_ZAP_CACHE 3'b101: MMU_PAGE_FAULT_DONE 3'b110: MMU_FORCE_RESET

**FEC MMU PAGE FAULT ADDR**

Address: Operational Base + offset (0x0F0C)

Bit	Attr	Reset Value	Description
31:0	RW	0x00000000	PAGE_FAULT_ADDR MMU address of last page fault

**FEC MMU ZAP ONE LINE**

Address: Operational Base + offset (0x0F10)

Bit	Attr	Reset Value	Description
31:0	WO	0x00000000	MMU_ZAP_ONE_LINE MMU address to be invalidated from the page table cache

**FEC MMU INT RAWSTAT**

Address: Operational Base + offset (0x0F14)

Bit	Attr	Reset Value	Description
31:2	RO	0x00000000	reserved
1	RO	0x0	READ_BUS_ERROR Read bus error
0	RO	0x0	PAGE_FAULT Page fault

**FEC MMU INT CLEAR**

Address: Operational Base + offset (0x0F18)

Bit	Attr	Reset Value	Description
31:2	RO	0x00000000	reserved
1	WO	0x0	READ_BUS_ERROR Read bus error
0	WO	0x0	PAGE_FAULT Page fault

**FEC MMU INT MASK**

Address: Operational Base + offset (0x0F1C)

Bit	Attr	Reset Value	Description
31:2	RO	0x00000000	reserved
1	RW	0x0	READ_BUS_ERROR Read bus error
0	RW	0x0	PAGE_FAULT Page fault

**FEC MMU INT STATUS**

Address: Operational Base + offset (0x0F20)

Bit	Attr	Reset Value	Description
31:2	RO	0x00000000	reserved
1	RO	0x0	READ_BUS_ERROR Read bus error
0	RO	0x0	PAGE_FAULT Page fault

**FEC MMU AUTO GATING**

Address: Operational Base + offset (0x0F24)

Bit	Attr	Reset Value	Description
31	RW	0x0	mmu_bug_fixed_disable MMU bug fixed disable, must be 1
30:2	RO	0x00000000	reserved
1	RO	0x1	mmu_cfg_mode MMU configuration mode
0	RW	0x1	mmu_auto_gating When it is 1'b1, the MMU will auto gate itself



**FEC MMU REG LOAD EN**

Address: Operational Base + offset (0x0F28)

Bit	Attr	Reset Value	Description
31:1	RO	0x00000000	reserved
0	RW	0x0	reg_load_mmu_en MMU register load enable

**38.5 Application Notes**

**38.5.1 Setup Flow**

- setting meshgrid information
  - sw\_mesh\_xint\_base, aligned to 16B
  - sw\_mesh\_xfra\_base, aligned to 16B
  - sw\_mesh\_yint\_base, aligned to 16B
  - sw\_mesh\_yfra\_base, aligned to 16B
- setting source information
  - setting sw\_pic\_y\_base/sw\_pic\_c\_base, aligned to 16B
  - setting source format YUV420/YUV422/YUV422I
  - setting sw\_fec\_src\_width, sw\_fec\_src\_height
  - setting sw\_rd\_vir\_stride, word unit, aligned to 16B
- setting destination information
  - setting sw\_wr\_y\_base/sw\_wr\_uv\_base, aligned to 16B
  - setting destination YUV420/YUV422/YUV422I
  - setting sw\_fec\_act\_width, sw\_fec\_act\_height
  - setting sw\_wr\_vir\_stride, word unit, aligned to 16B
- set sw\_cfg\_force\_upd for FEC
- set sw\_fec\_st

**38.5.2 Note**

- It is recommended malloc one line more than original source buffer in DDR. For example, 1920x1080 source recommended 1920x1081 in DDR. When the boundary is accessed, since the internal DMA accesses at least 16 pixels, it may access the data of the next line.
- It is recommended that MMU is turned off to improve performance.
- Max mesh value must <= 8189

## Chapter 39 Pulse Density Modulation Interface Controller

### 39.1 Overview

The PDM interface controller and decoder support mono PDM format. It integrates a clock generator driving the PDM microphone and embeds filters which decimate the incoming bit stream to obtain most common audio rates.

There are two PDM controllers in the SOC. PDM0/PDM1 both support the following features:

- Support one internal 32-bit wide and 128-location deep FIFOs for receiving audio data
- Support receive FIFO full, overflow interrupt and all interrupts can be masked
- Support configurable water level of receive FIFO full interrupt
- Support combined interrupt output
- Support AHB bus slave interface
- Support DMA handshaking interface and configurable DMA water level
- Support PDM master receive mode
- Support 4 paths. Each path is composed of two digital microphone channels. It can be used with four stereo or eight mono microphones. Each path is enabled or disabled independently
- Support 16~24-bit sample resolution
- Support sample rate:  
8kHz,16kHz,32kHz,64kHz,128kHz,11.025kHz,22.05kHz,44.1kHz,88.2kHz,176.4kHz,12kHz,24kHz,48kHz,96kHz,192kHz
- Support two 16-bit audio data store together in one 32-bit wide location
- Support 16 to 31-bit audio data left or right justified in 32-bit wide FIFO
- Support programmable left and right channel exchange

### 39.2 Block Diagram

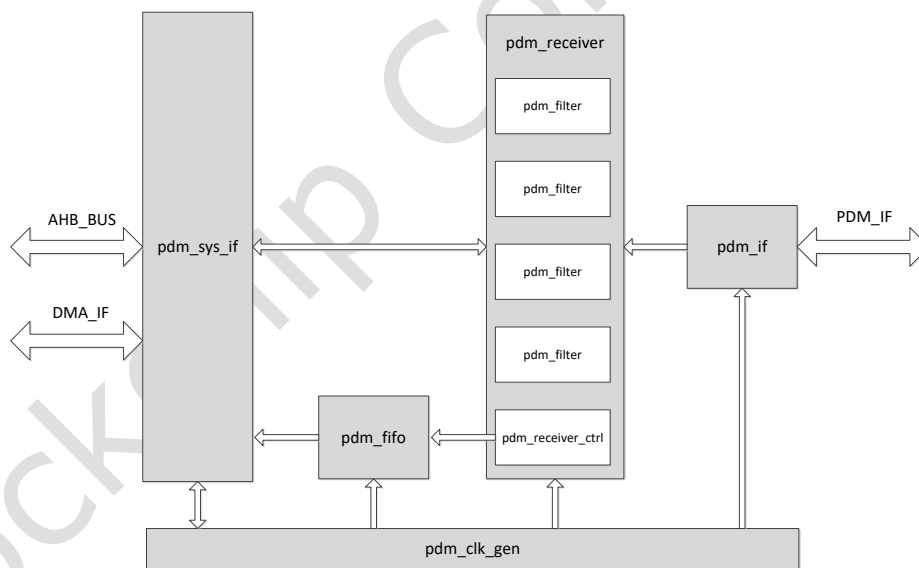


Fig. 39-1 PDM Block Diagram

#### System Interface

The system interface implements the APB slave operation. It contains not only control registers of receiver inside but also interrupt and DMA handshaking interface.

#### Clock Generator

The Clock Generator implements clock generation function. The input source clock to the module is MCLK, and by the divider of the module, the clock generator generates CLK\_PDM to receiver.

#### Receiver

The receiver can act as a decimation filter of PDM. And export PCM format data.

#### Receive FIFO

The Receive FIFO is the buffer to store received audio data. The size of the FIFO is 32bits x 128.

### 39.3 Function Description

#### 39.3.1 AHB Interface

There is an AHB slave interface in PDM. It is responsible for accessing registers.

#### 39.3.2 PDM Interface

The PDM interface is a 5-wire interface. The PDM module can support up to four external stereo and eight digital microphones.

Following shows two cases of usage of the PDM, but all configurations are possible with stereo and mono digital microphones.

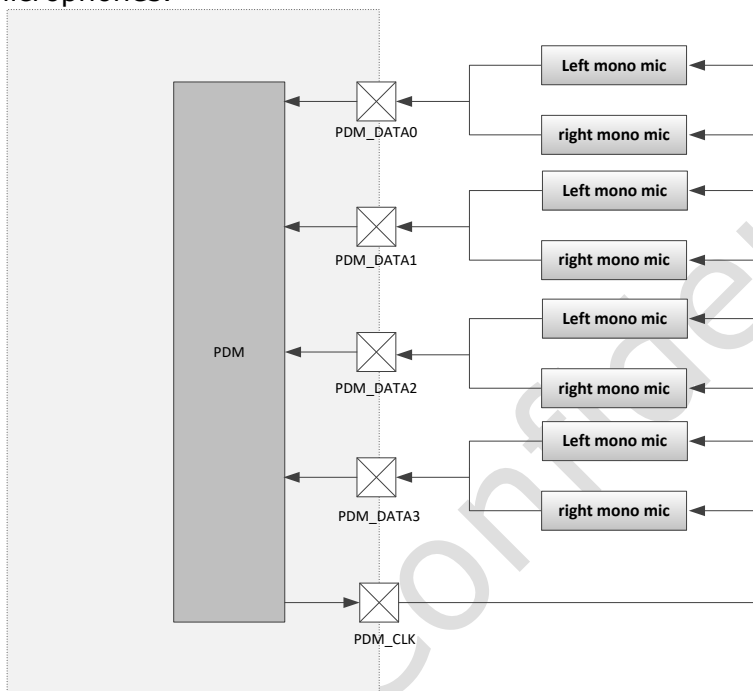


Fig. 39-2 PDM with Eight Mono MIC

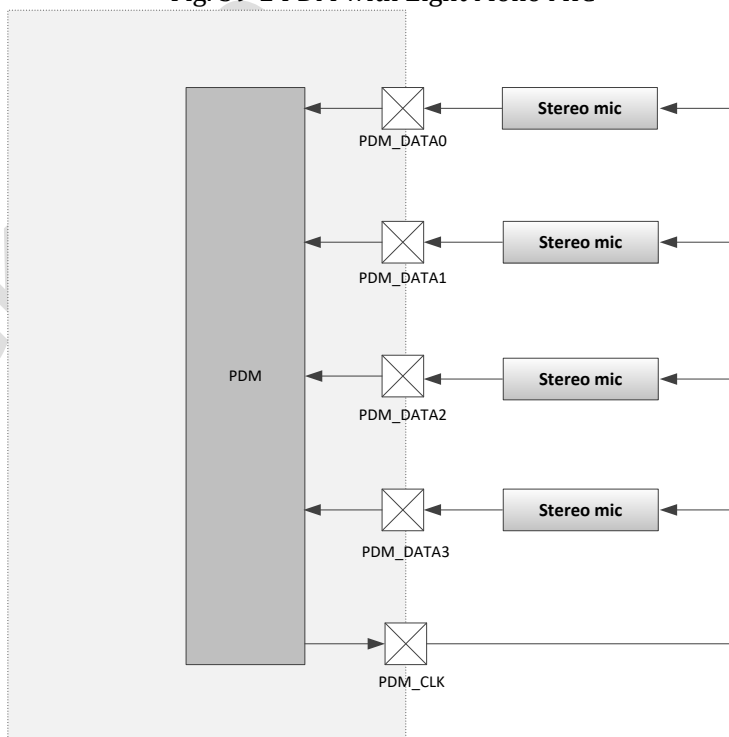


Fig. 39-3 PDM with Four Stereo MIC

The PDM interface consists of a serial-data shift clock output (PDM\_CLK) and a serial data input (PDM\_DATA). The clock is fanned out to both digital MICs, and both digital MICs' data

(left channel and right channel) outputs share a single signal line. To share a single line, the digital MICs tri-state their output during one phase of the clock (high or low part of cycle, depending on how they are configured via their L/R input).

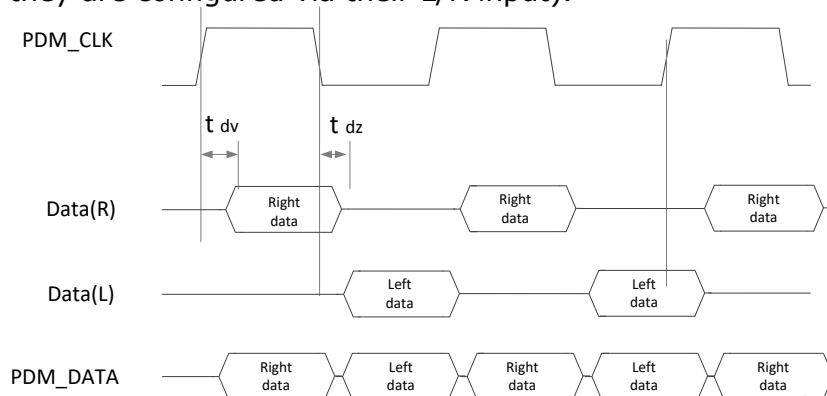


Fig. 39-4 PDM interface diagram with external MIC

### 39.3.3 Digital Filter

The external PDM MIC generates a PDM stream of bits and transfers it in one period or one half-period of the clock provided by the PDM. The aim of the PDM is to process data from the PDM interface, decimate and filter the data, and store the processed data in the FIFO.

The four paths are identical. Each path is composed of a left and a right channel. The PDM interface delivers eight parallel data of 1bit. Each bit goes to a filter. The aim of the filter is to limit the noise and export PCM format audio data.

### 39.3.4 Frequency Configuration

MCLK is the source clock signal. PDM\_CLK is the output clocks generated in the PDM and is fed to the external microphones. They are also the internal clock of the external microphones. User must take care about the frequency of PDM\_CLK when selecting the source clock (MCLK).

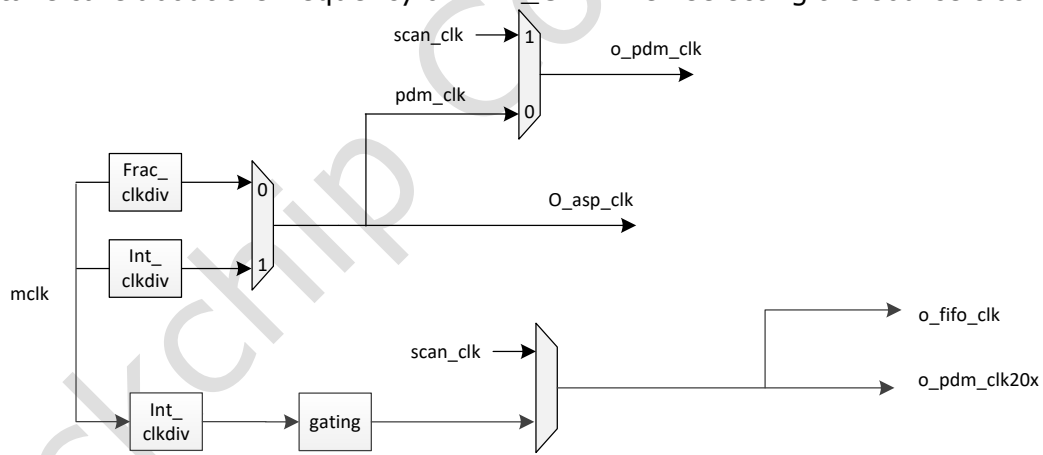


Fig. 39-5 PDM Clock Structure

Table 39-1 Relation between PDM\_CLK and Sample Rate

PDM_CLK	Sample Rate
3.072MHz	12kHz, 24kHz, 48kHz, 96kHz, 192kHz
2.8224MHz	11.025kHz, 22.05kHz, 44.1kHz, 88.2kHz, 176.4kHz
2.048MHz	8kHz, 16kHz, 32kHz, 64kHz, 128kHz

## 39.4 Register Description

### 39.4.1 Internal Address Mapping

Slave address can be divided into different length for different usage, which is shown as follows.

### 39.4.2 Registers Summary

Name	Offset	Size	Reset Value	Description
<u>PDM_SYSCONFIG</u>	0x0000	W	0x00000000	PDM System Configure Register
<u>PDM_CTRL0</u>	0x0004	W	0x78000377	PDM Control Register 0
<u>PDM_CTRL1</u>	0x0008	W	0x0bb8ea60	PDM Control Register 1
<u>PDM_CLK_CTRL</u>	0x000c	W	0x0000e401	PDM Clock Control Register
<u>PDM_HPF_CTRL</u>	0x0010	W	0x00000000	PDM High-pass Filter Control Register
<u>PDM_FIFO_CTRL</u>	0x0014	W	0x00000000	PDM FIFO Control Register
<u>PDM_DMA_CTRL</u>	0x0018	W	0x0000001f	PDM DMA Control Register
<u>PDM_INT_EN</u>	0x001c	W	0x00000000	PDM Interrupt Enable Register
<u>PDM_INT_CLR</u>	0x0020	W	0x00000000	PDM Interrupt Clear Register
<u>PDM_INT_ST</u>	0x0024	W	0x00000000	PDM Interrupt Status Register
<u>PDM_RXFIFO_DATA_REG</u>	0x0030	W	0x00000000	PDM Receive FIFO Data Register
<u>PDM_DATA0R_REG</u>	0x0034	W	0x00000000	PDM Path0 Right Channel Data Register
<u>PDM_DATA0L_REG</u>	0x0038	W	0x00000000	PDM Path0 Left Channel Data Register
<u>PDM_DATA1R_REG</u>	0x003c	W	0x00000000	PDM Path1 Right Channel Data Register
<u>PDM_DATA1L_REG</u>	0x0040	W	0x00000000	PDM Path1 Left Channel Data Register
<u>PDM_DATA2R_REG</u>	0x0044	W	0x00000000	PDM Path2 Right Channel Data Register
<u>PDM_DATA2L_REG</u>	0x0048	W	0x00000000	PDM Path2 Left Channel Data Register
<u>PDM_DATA3R_REG</u>	0x004c	W	0x00000000	PDM Path3 Right Channel Data Register
<u>PDM_DATA3L_REG</u>	0x0050	W	0x00000000	PDM Path3 Left Channel Data Register
<u>PDM_DATA_VALID</u>	0x0054	W	0x00000000	PDM Path Data Valid Register
<u>PDM_VERSION</u>	0x0058	W	0x59313031	PDM Version Register
<u>PDM_INCR_RXDR</u>	0x0400	W	0x00000000	Increment Address Receive FIFO Data Register

Notes: **Size: B**- Byte (8 bits) access, **HW**- Half WORD (16 bits) access, **W**-WORD (32 bits) access

### 39.4.3 Detail Registers Description

#### PDM\_SYSCONFIG

Address: Operational Base + offset (0x0000)

Bit	Attr	Reset Value	Description
31:3	RO	0x00000000	reserved
2	RW	0x0	rx_start RX transfer start bit 1'b0: Stop RX transfer 1'b1: Start RX transfer
1	RO	0x0	reserved
0	RW	0x0	rx_clr PDM RX logic clear This is a self-cleared bit. High active. Write 1'b1: Clear RX logic Write 1'b0: No action Read 1'b1: Clear ongoing Read 1'b0: Clear done

#### PDM\_CTRL0

Address: Operational Base + offset (0x0004)

Bit	Attr	Reset Value	Description
31	RW	0x0	<p>sjm_sel Store justified mode Can be written only when SYSCONFIG[2] is 0. 16bit~31bit DATA stored in 32 bits width FIFO. If VDW select 16bit data, this bit is valid only when HWT select 1. Because if HWT is 0, every FIFO unit contains two 16bit data and 32 bit space is full, it is impossible to choose justified mode. 1'b0: Right justified 1'b1: Left justified</p>
30	RW	0x1	<p>path3_en Path 3 enable 1'b1: Enable 1'b0: Disable</p>
29	RW	0x1	<p>path2_en Path 2 enable 1'b1: Enable 1'b0: Disable</p>
28	RW	0x1	<p>path1_en Path 1 enable 1'b1: Enable 1'b0: Disable</p>
27	RW	0x1	<p>path0_en Path 0 enable 1'b1: Enable 1'b0: Disable</p>
26	RW	0x0	<p>hwt_en Halfword word transform Only valid when VDW select 16bit data. 1'b0: 32 bit data valid to AHB/APB bus. Low 16 bit for left channel and high 16 bit for right channel. 1'b1: Low 16bit data valid to AHB/APB bus, high 16 bit data invalid</p>
25	RW	0x0	<p>filter_gate_en Filter gate enable If some filters not work, the filter and its corresponding memory clock will be gated if filter_gate_en is 1'b1, otherwise the clock will be still active.</p>
24	RW	0x0	<p>sig_scale_mode Signal scale mode select 1'b0: CIC outputs the normal latitude. 1'b1: Scale the CIC outputs to half of the normal latitude and scale 2 times after hpf-filter.</p>
23:16	RW	0x00	<p>int_div_20x_con Integer divider for PDM filter operation. This divider is used to generate internal logic operation clock from PDM input clock(mclk). Int_div_20x_con=(mclk/(frequency of internal logic operation clock))-1. Int_div_20x_con can be any value from 0 to 255.</p>

Bit	Attr	Reset Value	Description
15:8	RW	0x03	int_div_con Integer divider This divider is used to generate sample clock from PDM input clock(mclk). Int_div_con=(mclk/(frequency of sample clock))-1. Int_div_con can be any value from 0 to 255. Can be written only when SYSCONFIG[2] is 0.
7:5	RW	0x3	sample_rate_sel Selects which kind of sample rate. 3'b000: 12kHz/11.024kHz/8kHz 3'b001: 24kHz/22.05kHz/16kHz 3'b010: 32kHz 3'b011: 48kHz/44.1kHz 3'b100: 96kHz/88.2kHz/64kHz 3'b101~3'b111: 192kHz/176.4kHz/128kHz
4:0	RW	0x17	data_vld_width Can be written only when SYSCONFIG[2] is 0. Valid Data width 0~14: Reserved 15: 16bit 16: 17bit 17: 18bit 18: 19bit ..... n: (n+1)bit ..... 23: 24bit

**PDM CTRL1**

Address: Operational Base + offset (0x0008)

Bit	Attr	Reset Value	Description
31:16	RW	0x0bb8	frac_div_numerator Fraction divider numerator Can be written only when SYSCONFIG[2] is 0.
15:0	RW	0xea60	frac_div_denomonator Fraction divider denominator Can be written only when SYSCONFIG[2] is 0.

**PDM CLK CTRL**

Address: Operational Base + offset (0x000c)

Bit	Attr	Reset Value	Description
31:16	RO	0x0000	reserved
15:14	RW	0x3	rx_path_select3 RX Path Select 2'b00: Path3 data from PDM data0 2'b01: Path3 data from PDM data1 2'b10: Path3 data from PDM data2 2'b11: Path3 data from PDM data3
13:12	RW	0x2	rx_path_select2 RX Path Select 2'b00: Path2 data from PDM data0 2'b01: Path2 data from PDM data1 2'b10: Path2 data from PDM data2 2'b11: Path2 data from PDM data3

Bit	Attr	Reset Value	Description
11:10	RW	0x1	rx_path_select1 RX Path Select 2'b00: Path1 data from PDM data0 2'b01: Path1 data from PDM data1 2'b10: Path1 data from PDM data2 2'b11: Path1 data from PDM data3
9:8	RW	0x0	rx_path_select0 RX Path Select 2'b00: Path0 data from PDM data0 2'b01: Path0 data from PDM data1 2'b10: Path0 data from PDM data2 2'b11: Path0 data from PDM data3
7:6	RO	0x0	reserved
5	RW	0x0	pdm_clk_en PDM clk enable, working at PDM mode. Can be written only when SYSCONFIG[2] is 0. 1'b0: PDM clk disable 1'b1: PDM clk enable
4	RW	0x0	div_type_sel Divider type select signal Can be written only when SYSCONFIG[2] is 0. 1'b0: Fraction divider 1'b1: Integer divider
3	RW	0x0	lr_ch_ex Left and right channel data exchange 1'b0: Not inverted 1'b1: Inverted
2	RW	0x0	fir_com_bps Fir compensate filter bypass 1'b0: Not bypass 1'b1: Bypass
1:0	RW	0x0	cic_ds_ratio CIC filter decimation ratio 2'b00: 16 times decimation 2'b01: 8 times decimation 2'b10: 4 times decimation other: 8 times decimation

**PDM HPF CTRL**

Address: Operational Base + offset (0x0010)

Bit	Attr	Reset Value	Description
31:4	RO	0x0000000	reserved
3	RW	0x0	hpfle High-pass filter enable for left channel 1'b0: High pass filter for right channel is disabled. 1'b1: High pass filter for right channel is enabled.
2	RW	0x0	hpfre High-pass filter enable for right channel 1'b0: High pass filter for right channel is disabled. 1'b1: High pass filter for right channel is enabled.



Bit	Attr	Reset Value	Description
1:0	RW	0x0	hpf_cf High-pass filter configure 2'b00: 3.79Hz 2'b01: 60Hz 2'b10: 243Hz 2'b11: 493Hz

**PDM FIFO CTRL**

Address: Operational Base + offset (0x0014)

Bit	Attr	Reset Value	Description
31:15	RO	0x00000	reserved
14:8	RW	0x00	rft Receive FIFO threshold When the number of receive FIFO entries is more than or equal to this threshold plus 1, the receive FIFO threshold interrupt is triggered.
7:0	RO	0x00	rfl Receive FIFO level Contains the number of valid data entries in the receive FIFO.

**PDM DMA CTRL**

Address: Operational Base + offset (0x0018)

Bit	Attr	Reset Value	Description
31:9	RO	0x000000	reserved
8	RW	0x0	rde Receive DMA enable 1'b0: Receive DMA disabled 1'b1: Receive DMA enabled
7	RO	0x0	reserved
6:0	RW	0x1f	rdl Receive data level This bit field controls the level at which a DMA request is made by the receive logic. The watermark level = DMARDL+1; that is, dma_rx_req is generated when the number of valid data entries in the receive FIFO is equal to or above this field value + 1.

**PDM INT EN**

Address: Operational Base + offset (0x001c)

Bit	Attr	Reset Value	Description
31:2	RO	0x00000000	reserved
1	RW	0x0	rxoie RX overflow interrupt enable 1'b0: Disable 1'b1: Enable
0	RW	0x0	rxftie RX full threshold interrupt enable 1'b0: Disable 1'b1: Enable

**PDM INT CLR**

Address: Operational Base + offset (0x0020)

Bit	Attr	Reset Value	Description
31:2	RO	0x00000000	reserved
1	RW	0x0	rxoic RX overflow interrupt clear (high active and auto cleared).

**PDM INT ST**

Address: Operational Base + offset (0x0024)

Bit	Attr	Reset Value	Description
31:2	RO	0x00000000	reserved
1	RO	0x0	rxoi RX overflow interrupt 1'b0: Inactive 1'b1: Active
0	RO	0x0	rxfi RX full interrupt 1'b0: Inactive 1'b1: Active

**PDM RXFIFO DATA REG**

Address: Operational Base + offset (0x0030)

Bit	Attr	Reset Value	Description
31:0	RO	0x00000000	rxdr Receive FIFO shadow register When the register is read, data in the receive FIFO is accessed.

**PDM DATA0R REG**

Address: Operational Base + offset (0x0034)

Bit	Attr	Reset Value	Description
31:0	RO	0x00000000	data0r Data of the path 0 right channel

**PDM DATA0L REG**

Address: Operational Base + offset (0x0038)

Bit	Attr	Reset Value	Description
31:0	RO	0x00000000	data0l Data of the path 0 left channel

**PDM DATA1R REG**

Address: Operational Base + offset (0x003c)

Bit	Attr	Reset Value	Description
31:0	RO	0x00000000	data1r Data of the path 1 right channel

**PDM DATA1L REG**

Address: Operational Base + offset (0x0040)

Bit	Attr	Reset Value	Description
31:0	RO	0x00000000	data1l Data of the path 1 left channel

**PDM DATA2R REG**

Address: Operational Base + offset (0x0044)

Bit	Attr	Reset Value	Description
31:0	RO	0x00000000	data2r Data of the path 2 right channel

**PDM DATA2L REG**

Address: Operational Base + offset (0x0048)

Bit	Attr	Reset Value	Description
31:0	RO	0x00000000	data2l Data of the path 2 left channel

**PDM DATA3R REG**

Address: Operational Base + offset (0x004c)

Bit	Attr	Reset Value	Description
31:0	RO	0x00000000	data3r Data of the path 3 right channel

**PDM DATA3L REG**

Address: Operational Base + offset (0x0050)

Bit	Attr	Reset Value	Description
31:0	RO	0x00000000	data3l Data of the path 3 left channel

**PDM DATA\_VALID**

Address: Operational Base + offset (0x0054)

Bit	Attr	Reset Value	Description
31:4	RO	0x00000000	reserved
3	WO	0x0	path0_vld 1'b0: DATA0R_REG, DATA0L_REG value is invalid. 1'b1: DATA0R_REG, DATA0L_REG value is valid.
2	WO	0x0	path1_vld 1'b0: DATA1R_REG, DATA1L_REG value is invalid. 1'b1: DATA1R_REG, DATA1L_REG value is valid.
1	WO	0x0	path2_vld 1'b0: DATA2R_REG, DATA2L_REG value is invalid. 1'b1: DATA2R_REG, DATA2L_REG value is valid.
0	WO	0x0	path3_vld 1'b0: DATA3R_REG, DATA3L_REG value is invalid. 1'b1: DATA3R_REG, DATA3L_REG value is valid.

**PDM VERSION**

Address: Operational Base + offset (0x0058)

Bit	Attr	Reset Value	Description
31:0	RW	0x59313031	version PDM version

**PDM INCR\_RXDR**

Address: Operational Base + offset (0x0400)

Bit	Attr	Reset Value	Description
31:0	RO	0x00000000	receive_fifo_data FIFO data can be read from these registers. This register is used when the access address is increment.

**39.5 Interface Description**

There are two groups of IO interfaces embedded in the chip for each PDM. Following tables show the group 0 and group 1 of PDM0 IO interface respectively.

Table 39-2 Group 0 PDM0 IO Interface Description

Module Pin	Direction	Pin Name	IOMUX Setting
o_pdm_clk0	O	PDM0_CLK0_M0/I2C4_SDA_M4/PWM15_I R_M2/GPIO1_C6_d	BUS_IOC_GPIO1C_IOMU X_SEL_H[11:8]=4'h3
o_pdm_clk1	O	PDM0_CLK1_M0/I2C2_SDA_M3/PWM11_I R_M2/SPI4_CS1_M0/GPIO1_C4_d	BUS_IOC_GPIO1C_IOMU X_SEL_H[3:0]=4'h3
i_pdm_data0	I	PDM0_SDI0_M0/SPI1_CS1_M2/GPIO1_D 5_d	BUS_IOC_GPIO1D_IOMU X_SEL_H[7:4]=4'h3
i_pdm_data1	I	I2S0_SDO2/I2S0_SDI3/PDM0_SDI1_M0/I 2C7_SDA_M0/UART6_RX_M2/SPI1_MOSI _M2/GPIO1_D1_d	BUS_IOC_GPIO1D_IOMU X_SEL_L[7:4]=4'h3

i_pdm_data2	I	I2S0_SDO3/I2S0_SDI2/PDM0_SDI2_M0/I2C1_SCL_M4/UART4_TX_M0/PWM0_M1/SPI1_CLK_M2/GPIO1_D2_d	BUS_IOC_GPIO1D_IOMU X_SEL_L[11:8]=4'h3
i_pdm_data3	I	I2S0_SDI1/PDM0_SDI3_M0/I2C1_SDA_M4/UART4_RX_M0/PWM1_M1/SPI1_CS0_M2/GPIO1_D3_d	BUS_IOC_GPIO1D_IOMU X_SEL_L[15:12]=4'h3

Table 39-3 Group 1 PDM0 IO Interface Description

Module Pin	Direction	Pin Name	IOMUX Setting
o_pdm_clk0	O	PDM0_CLK0_M1/PWM1_M0/I2C2_SDA_M0/CAN0_RX_M0/SPI0_MOSI_M0/PCIE30X1_0_CLKREQN_M0/GPIO0_C0_d	PMU2_IOC_GPIO0C_IOM UX_SEL_L[3:0]=4'h2
o_pdm_clk1	O	PDM0_CLK1_M1/PWM2_M0/UART0_RX_M0/I2C4_SDA_M2/DP0_HPDI_M1/PCIE30X1_0_WAKEN_M0/GPIO0_C4_d	PMU2_IOC_GPIO0C_IOM UX_SEL_H[3:0]=4'h2
i_pdm_data0	I	I2S1_SDI2_M1/PDM0_SDI0_M1/I2C6_SDA_M0/UART1_RTSN_M2/PWM6_M0/SPI0_MISO_M0/PCIE30X4_WAKEN_M0/GPIO0_C7_d	PMU2_IOC_GPIO0C_IOM UX_SEL_H[15:12]=4'h2
i_pdm_data1	I	I2S1_SDI3_M1/PDM0_SDI1_M1/I2C6_SCL_M0/UART1_CTSN_M2/PWM7_IR_M0/SPI3_MISO_M2/PCIE30X4_PERSTN_M0/GPIO0_D0_d	PMU2_IOC_GPIO0D_IOM UX_SEL_L[3:0]=4'h2
i_pdm_data2	I	I2S1_SDO2_M1/PDM0_SDI2_M1/PWM3_IR_M0/I2C1_SCL_M2/CAN2_RX_M1/HDMI_TX0_SDA_M1/SPI3_CS0_M2/PCIE30X2_PERSTN_M0/SATA_CPDET/GPIO0_D4_u	PMU2_IOC_GPIO0D_IOM UX_SEL_H[3:0]=4'h2
i_pdm_data3	I	PMIC_SLEEP6/PDM0_SDI3_M1/GPIO0_D6_d	PMU2_IOC_GPIO0D_IOM UX_SEL_H[11:8]=4'h2

Notes: I=input, O=output, I/O=input/output, bidirectional

Following tables show the group 0 and group 1 of PDM1 IO interface respectively.

Table 39-4 Group 0 PDM1 IO Interface Description

Module Pin	Direction	Pin Name	IOMUX Setting
o_pdm_clk0	O	SDMMC_CLK/PDM1_CLK0_M0/TEST_CLK_OUT_M0/MCU_JTAG_TMS_M0/CAN0_RX_M1/UART5_TX_M0/GPIO4_D5_d	BUS_IOC_GPIO4D_IOMU X_SEL_H[7:4]=4'h2
o_pdm_clk1	O	SDMMC_CMD/PDM1_CLK1_M0/MCU_JTAG_TCK_M0/CAN0_TX_M1/UART5_RX_M0/PWM7_IR_M1/GPIO4_D4_u	BUS_IOC_GPIO4D_IOMU X_SEL_H[3:0]=4'h2
i_pdm_data0	I	SDMMC_D3/PDM1_SDI0_M0/JTAG_TMS_M0/I2C8_SDA_M0/UART5_RTSN_M0/PWM10_M1/GPIO4_D3_u	BUS_IOC_GPIO4D_IOMU X_SEL_L[15:12]=4'h2
i_pdm_data1	I	SDMMC_D2/PDM1_SDI1_M0/JTAG_TCK_M0/I2C8_SCL_M0/UART5_CTSN_M0/GPIO4_D2_u	BUS_IOC_GPIO4D_IOMU X_SEL_L[11:8]=4'h2
i_pdm_data2	I	SDMMC_D1/PDM1_SDI2_M0/JTAG_TMS_M1/I2C3_SDA_M4/UART2_RX_M1/PWM9_M1/GPIO4_D1_u	BUS_IOC_GPIO4D_IOMU X_SEL_L[7:4]=4'h2
i_pdm_data3	I	SDMMC_D0/PDM1_SDI3_M0/JTAG_TCK_M1/I2C3_SCL_M4/UART2_TX_M1/PWM8_M1/GPIO4_D0_u	BUS_IOC_GPIO4D_IOMU X_SEL_L[3:0]=4'h2

Table 39-5 Group 1 PDM1 IO Interface Description

Module Pin	Direction	Pin Name	IOMUX Setting
o_pdm_clk0	O	PDM1_CLK0_M1/PCIE30X1_0_PERSTN_M2/UART7_RX_M2/SPI0_CS0_M2/GPIO1_B4_u	BUS_IOC_GPIO1B_IOMU X_SEL_H[3:0]=4'h2
o_pdm_clk1	O	PDM1_CLK1_M1/PCIE30X1_0_WAKEN_M2/SATA0_ACT_LED_M1/UART4_TX_M2/SPI0_CLK_M2/GPIO1_B3_d	BUS_IOC_GPIO1B_IOMU X_SEL_L[15:12]=4'h2
i_pdm_data0	I	PDM1_SDI0_M1/PCIE30X1_1_PERSTN_M2/PWM3_IR_M3/SPI2_CS0_M0/GPIO1_A7_u	BUS_IOC_GPIO1A_IOMU X_SEL_H[15:12]=4'h2
i_pdm_data1	I	PDM1_SDI1_M1/PCIE30X4_CLKREQN_M3/SPI2_CS1_M0/GPIO1_B0_u	BUS_IOC_GPIO1B_IOMU X_SEL_L[3:0]=4'h2

i_pdm_data2	I	PDM1_SDI2_M1/PCIE30X4_WAKEN_M3/SPI0_MISO_M2/GPIO1_B1_d	BUS_IOC_GPIO1B_IOMU X_SEL_L[7:4]=4'h2
i_pdm_data3	I	PDM1_SDI3_M1/PCIE30X4_PERSTN_M3/UART4_RX_M2/SPI0_MOSI_M2/GPIO1_B2_d	BUS_IOC_GPIO1B_IOMU X_SEL_L[11:8]=4'h2

Notes: I=input, O=output, I/O=input/output, bidirectional

### 39.6 Application Notes

PDM usage flow is shown as following figure.

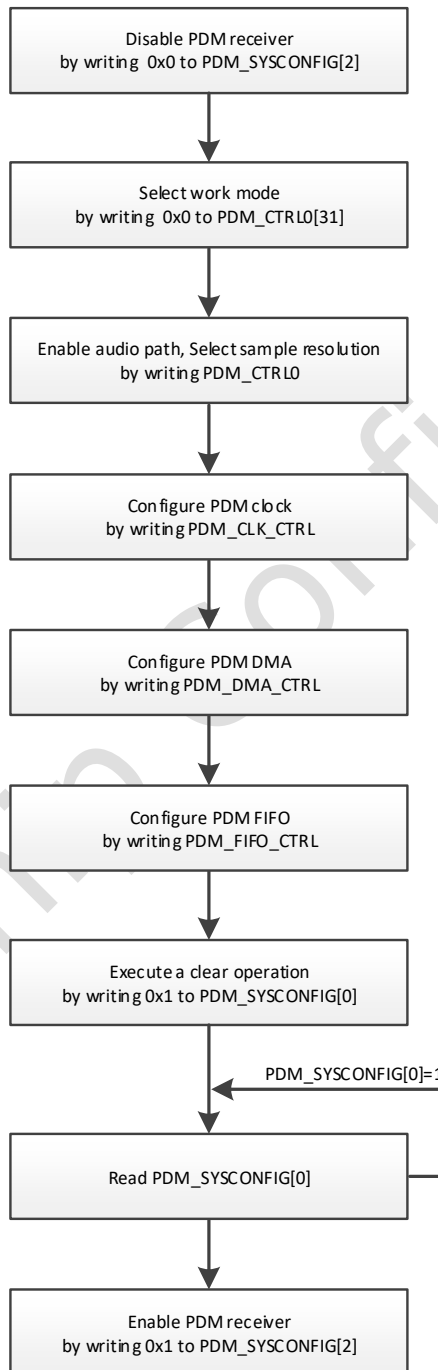


Fig. 39-6 PDM Operation Flow